

ROW CROP SYSTEM

PARTS CATALOG

AG-CHEM

**874 / 1074 / 1274 / 1286C / SS / SS_c ROGATOR
LIQUID SYSTEM (EFF S/N ..Txx1001)**

514904D1 A

August 2007

How to use this Parts Book

Parts Ordering Guide:

1. Give the Serial Number of your Chassis or System when ordering.
2. Use the part number and description when ordering parts.
3. Give the Assembly Title if needed.
4. Give the P/N number and date for the Parts Book if needed.

Parts List Abbreviations

NSS Not Sold Separately
 AR As Required, usually for a lubricant or adhesive
 REF Reference - Part called out on a different page.
 NS Not shown in illustration
 R/B Replaced by another number
 ASM assembly page

Notice:

Every effort has been made to ensure the accuracy of the information in this book. However, because of design changes that can occur since this book was published, it is possible that some illustrations and part numbers can be different than on your machine. The technical information in this book was correct at the time this book was approved for publication.

FUEL TANK AND TOOL BOX INSTL

ITEM	PART #	QTY	DESCRIPTION	COMMENTS
1	AG109742	4	MATTING-RUBBER,2.00X44.50X.12	
2	AG109754	4	MATTING-RUBBER,2.00X46.00X.12	
3	AG120558	1	TUBE WLDMT-FUEL LINE	
4	AG122229	1	BRKT,STIFFNER,HAT SECTION	
5	AG122302	1	BRKT-AUX BAT POST	
6	AG125208	1	SHIELD-EXHAUST	
7	AG125210	4	STRAP WLDMT-FUEL TANK	
8	AG126403	4	BOLT-.31-18X2.75 G5 CRG ZN/Y	
9	AG130111	1	PLATE,MTG-FUEL TUBE	
10	AG130414	4	TUBE-RD,.75ODX.12WALL X 2.00LG	
11	AG262729	2	PLATE-SLOT SEALING	
12	AG325049	1	CABINET ASM-TOOL BOX,LH	
13	AG325050	1	CABINET ASM-TOOL BOX,RH	
14	AG504815	1	TANK-FUEL,65GL,POLY,RH	
15	AG504816	1	TANK-FUEL,65GL,POLY,LH	
16	AG510939	-	HOSE HYD 0.37 BULK 250PSI WP [BULK: 5 FT]	
17	AG512346	-	3M 1300 YELLOW ADHESIVE (GAL) [BULK: 0.001 GL]	
18	AG512885	AR	LOCTITE ADHESIVE SEALANT BLUE	
19	AG518292	2	BOLT-UJ .31-18X2.00X 2.69 RD SS	
20	AG519556	1	SENDING UNIT FUEL LEVEL	
21	AG522183	-	HOSE-FUEL,2.00 ID [BULK: 2.5 FT]	
22	AG522439	8	BOLT-.38-16X1.5,G5,ZN,CRG	
23	AG522453	2	VENT-FUEL,90D,.50MNPTX.38HOSEB	
24	AG523919	8	CLAMP-HIGH TORQUE,3.00	
25	AG550124	2	NUT 0.50-13NC HEX ZN REG	
26	AG550205	4	WASHER LK 0.31 ZN REG	
27	AG550213	4	NUT 0.31-18NC HEX ZN REG	
28	AG550256	2	BOLT.50-13NCX1.25 G5 ZN HHD	
29	AG550264	2	WASHER 0.50 LK ZN REG	
30	AG550353	10	WASHER 0.50 FL ZN REG TYPE-B	
31	AG551007	8	WASHER FL 0.37 ZN REG TYPE-B	
32	AG551015	4	WASHER 0.31 FL ZN REG TYPE-B	
33	AG551201	1	ADAP STR .37MNPT X .37MJIC (N)	
34	AG552461	1	ADAP STR 0.50MNPT X 0.50MJIC	
35	AG561025	2	CLAMP HOSE .218 TO .625 U55	
36	AG561867	2	PLUG PIPE 0.25-18 EXT HEX HD	
37	AG601152	8	NUT 0.50-13NC HEX ZN REG NY	
38	AG601411	8	NUT 0.37-16NC HEX ZN REG LK NY	
39	AG601888	4	NUT 0.31-18NC HEX ZN REG NY	
	FOOTNOTE [A]		FOR REPLACEMENT CAP USE AG055178	
	FOOTNOTE [B]		FOR REPLACEMENT CAP USE AG055178	

Assembly Title, refer to Table of Contents

Assembly Reference, see referenced page

SEE PAGE 4-2
 SEE PAGE 4-3
 [A]
 [B]

Footnote Reference, see notes below.

Footnote Reference

Footnote description

Assembly Page #, refer to Table of Contents

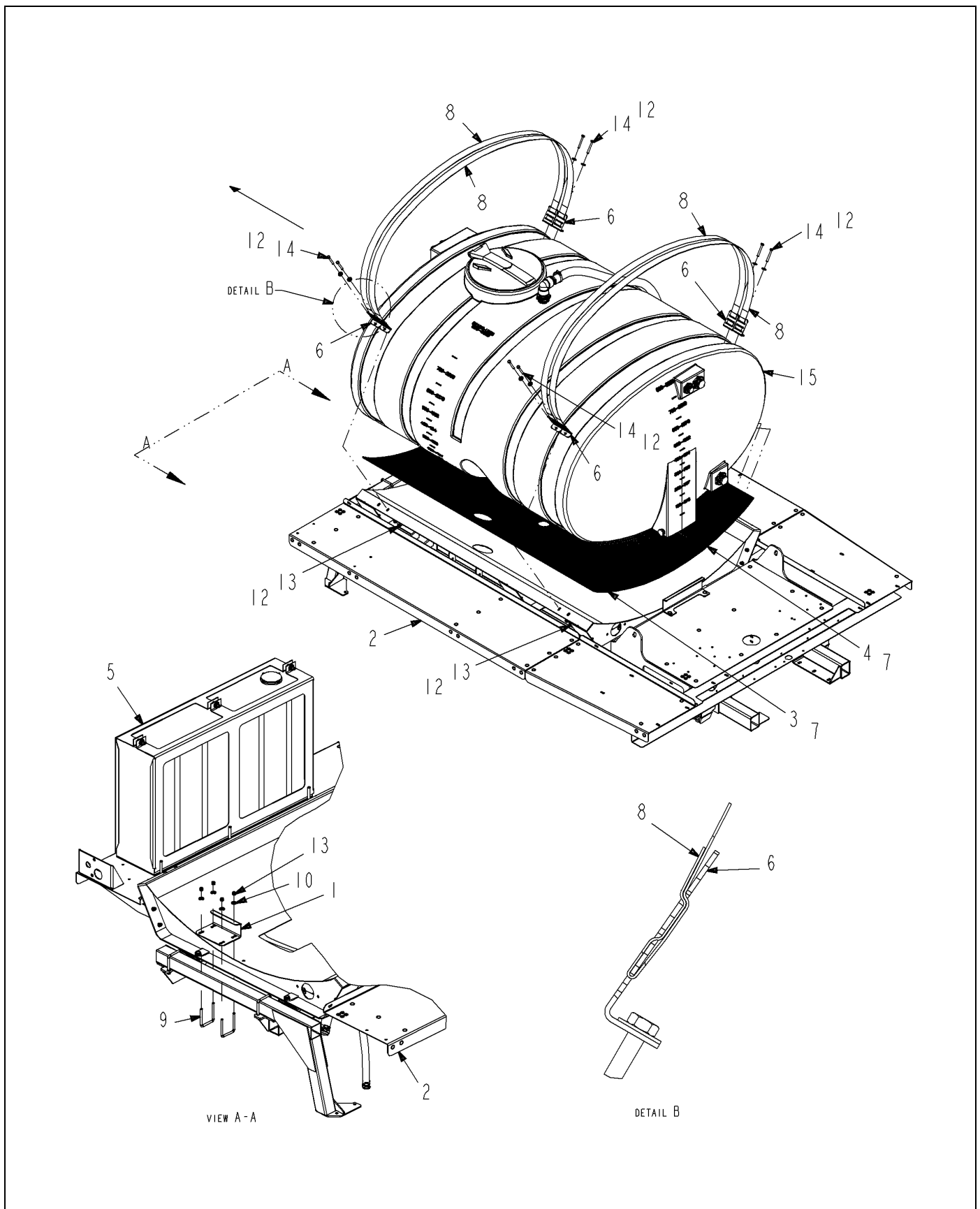
Part Book Section, refer to Table of Contents

Part Book Title, refer to Part Book Cover

TANK AND SADDLE GROUP	1
PRODUCT PUMP AND PRESSURE PLUMBING GROUP	2
BOOM GROUP	3
BOOM PLUMBING GROUP	4
HYDRAULIC GROUP	5
ELECTRICAL GROUP	6
AIR SYSTEM GROUP	7
FOAM MARKER GROUP	8
DECAL GROUP	9
PRESSURE WASHER AND HEAD RINSE GROUP	10
OPTION GROUP	11

TANKANDSADDLE ASM-800GL POLY,WHT	1-1
TANKANDSADDLE ASM-860L SS	1-2
TANKANDSADDLE ASM-860L SS	1-3
TANKANDSADDLE ASM-1080L SS	1-4
TANKANDSADDLE ASM-1080L SS	1-5
TANKANDSADDLE ASM-1240L SS	1-6
TANKANDSADDLE ASM-1240L SS	1-7
FTG ASM-TANK,800GL POLY	1-8
TANK ASM-3.00 SUMP,800GL POLY	1-9
ASM 10" LID	1-10
COVER-HINGED	1-11
OPT-SUMP VALVE,3.00, MANUAL	1-12
VALVE 3.00 BFLY W/10P LEVER	1-13
TANK-REWORK	1-14
SADDLE ASM-800GL POLY	1-15
VALVE ASM-3.00 ELEC,EH4,3 SEC	1-16
TANK ASM-40GL W/O AG	1-17
VENT ASM-TANK	1-18
TANK-ASM-20GL W/O AG	1-19
RELOAD INSTL-2.00,LIQ SYS	1-20
VLV BALL 2.00 POLY FF	1-21
RELOAD INSTL-3.00,LIQ SYS	1-22
TANK ASM-1240GL	1-23
SADDLE ASM-1240GL	1-24
SIGHT GAUGE ASM-FRT,1240GL	1-25
SIGHT GAUGE ASM-REAR,1240GL	1-26
TANK ASM-860GL	1-27
SADDLE ASM-860GL	1-28
SIGHT GAUGE ASM-FRT,860GL	1-29
SIGHT GAUGE ASM-REAR,860GL	1-30
TANK ASM-1080GL	1-31
SADDLE ASM-1080GL	1-32
SIGHT GAUGE ASM-FRT,1080GL	1-33
SIGHT GAUGE ASM-REAR,1080GL	1-34
SUPPORT ASM-TANK,PLASTIC	1-35
TIEDOWN INSTL-LIQ SYS,ROGATOR	1-36

TANKANDSADDLE ASM-800GL POLY,WHT

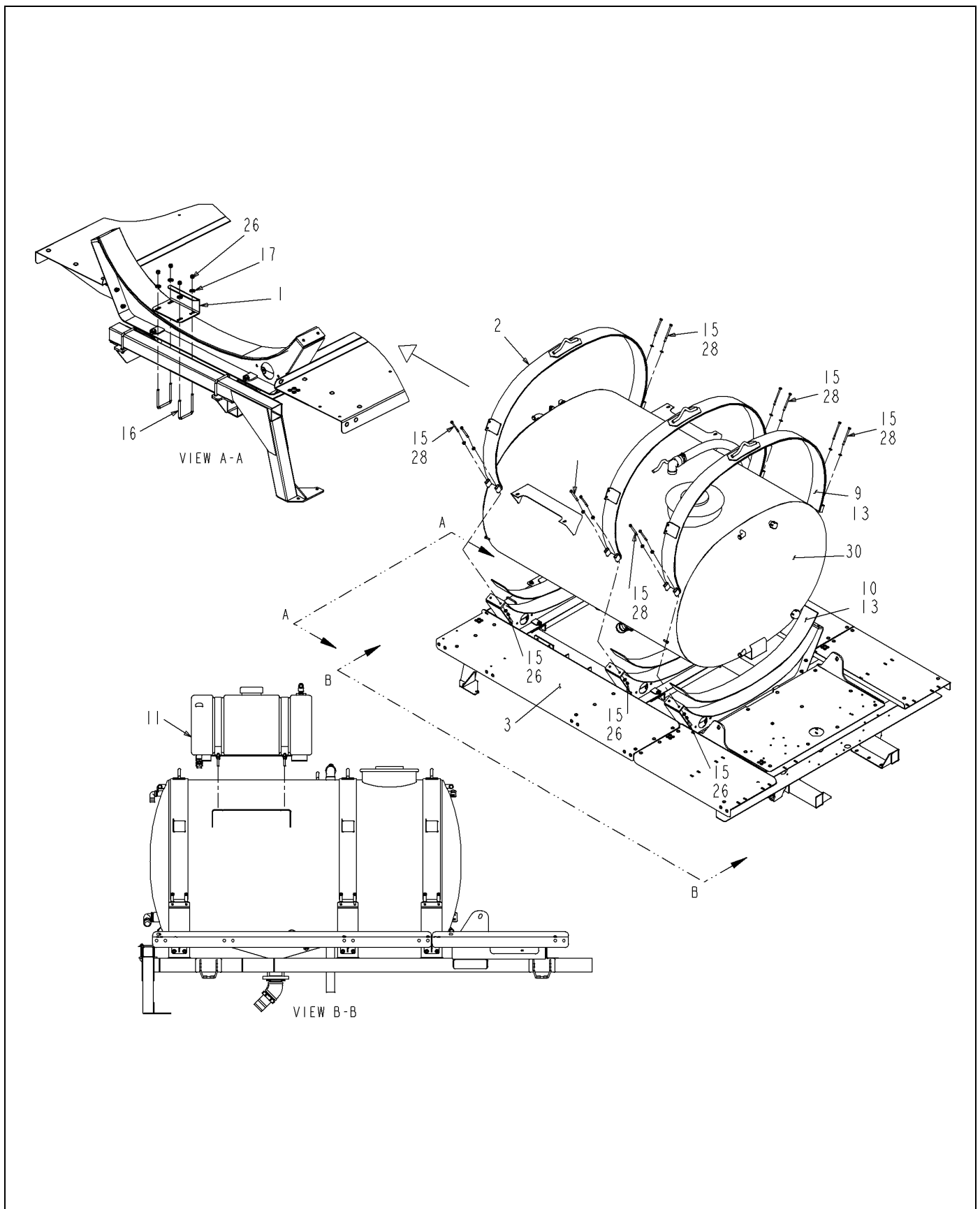


520750D1-01-R506-.TIF

TANKANDSADDLE ASM-800GL POLY,WHT

ITEM	PART #	QTY	DESCRIPTION	COMMENTS
1	AG121042	1	PLATE-STOP,TANK,PRODUCT	
2	AG135332	1	SADDLE ASM-800GL POLY	SEE PAGE 1-15
3	AG135379	1	MATTING-RUBBER,TK SPRT,800,LH	
4	AG135380	1	MATTING-RUBBER,TK SPRT,800,RH	
5	AG135906	1	TANK INSTL-RINSE,RH SIDE,55GL	SEE PAGE 10-3
6	AG216360	8	HOLDDOWN POLY STRAP	
7	AG512346	AR	3M 1300 YELLOW ADHESIVE (GAL)	
8	AG516089	-	STRAP TANK WEBBING 2.00 POLY [BULK: 42 FT]	
9	AG523935	2	BOLT-U, .38-16X3.12X4.00,GRS,ZP	
10	AG551007	4	WASHER 0.37 FL ZN REG TYPE-B	
11	AG553557	AR	TIE CABLE 7.37 .06-1.37 BLACK	
12	AG562073	16	WASHER 0.37 FL SS REG TYPE-B	
13	AG601411	12	NUT 0.37-16NC HEX ZN REG NY	
14	AG710367	8	BOLT 0.37NCX 3.00 G5 ZN FT HHD	
15	520754D1	1	FTG ASM-TANK,800GL POLY	

TANKANDSADDLE ASM-860L SS

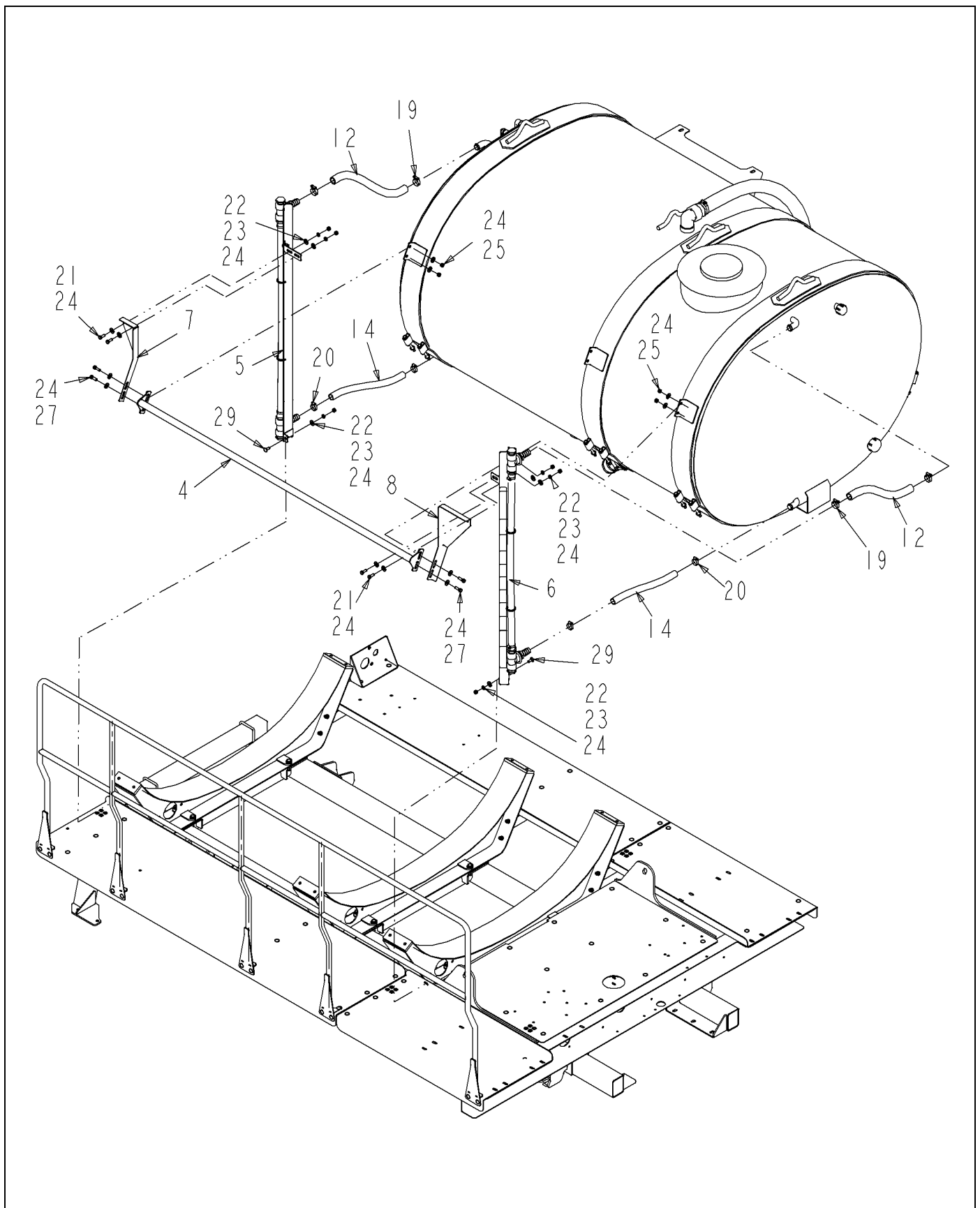


520751D1-01-R506-01.TIF

TANKANDSADDLE ASM-860L SS

ITEM	PART #	QTY	DESCRIPTION	COMMENTS
1	AG121042	1	PLATE-STOP,TANK,PRODUCT	
2	AG127824	3	STRAP WLDMT-TANK,860GL	
3	AG127834	1	SADDLE ASM-860GL	SEE PAGE 1-28
9	AG262426	3	MATTING-RUBBER,TANK STRAP	
10	AG262427	3	MATTING-RUBBER,SADDLE SUPPORT	
11	AG424494	1	TANK INSTL-RINSE, TOP	SEE PAGE 10-5
13	AG512346	AR	3M 1300 YELLOW ADHESIVE (GAL)	
15	AG514559	24	WASHER 0.37 FL ZN SAE TYP-A G8	
16	AG523935	2	BOLT-U,,38-16X3.12X4.00,GRS,ZP	
17	AG551007	4	WASHER 0.37 FL ZN REG TYPE-B	
18	AG553557	AR	TIE CABLE 7.37 .06-1.37 BLACK	
26	AG601411	16	NUT 0.37-16NC HEX ZN REG NY	
28	AG606683	12	BOLT 0.37-16NCX 5.00 G8 ZN HHD	
30	520755D1	1	TANK ASM-860GL SS	

TANKANDSADDLE ASM-860L SS

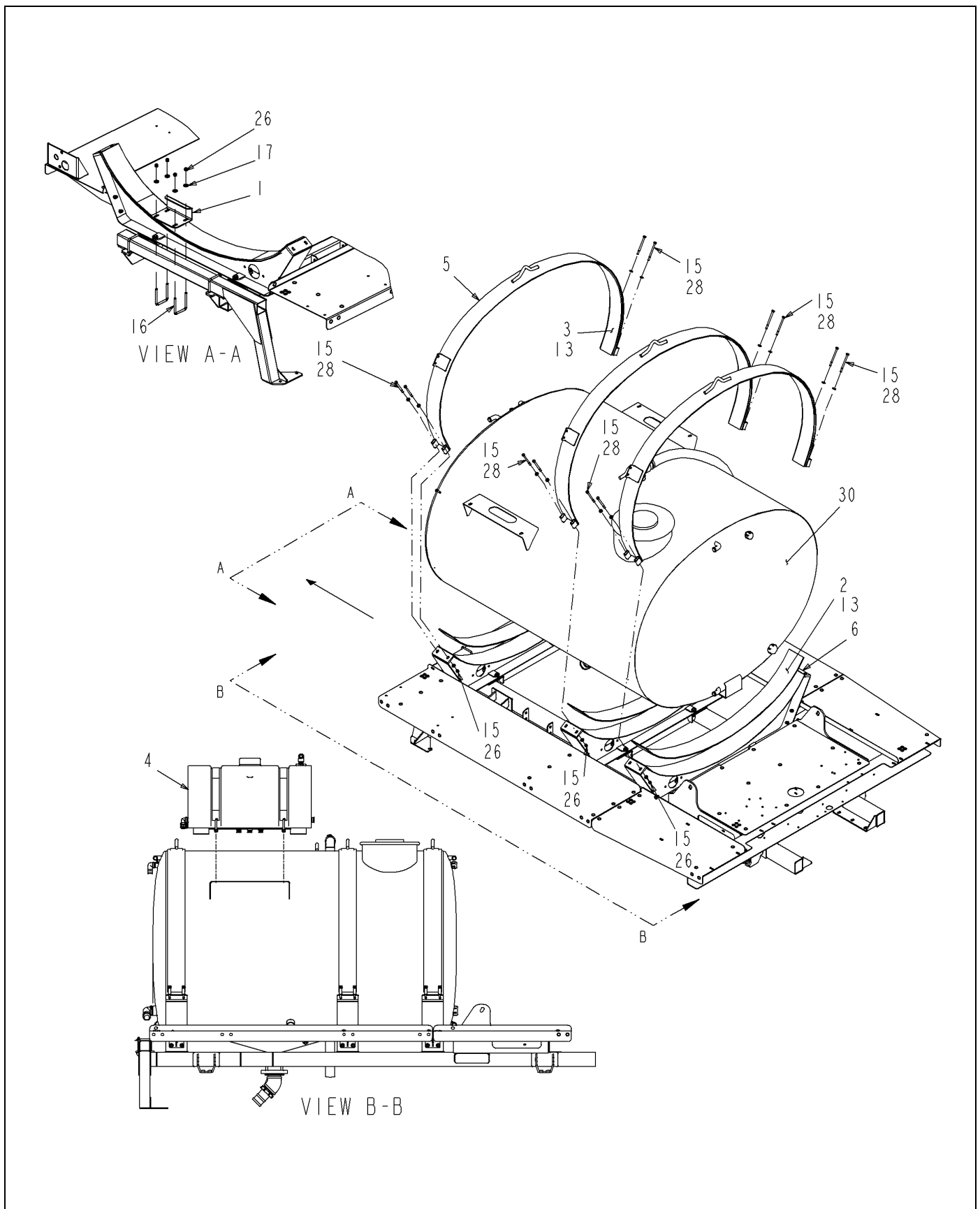


520751D1-01-R506-02.TIF

TANKANDSADDLE ASM-860L SS

ITEM	PART #	QTY	DESCRIPTION	COMMENTS
4	AG127882	1	RETAINER WLDMT-HOSE,TANK	
5	AG128490	1	SIGHT GAUGE ASM-FRT,860GL	SEE PAGE 1-29
6	AG128491	1	SIGHT GAUGE ASM-REAR,860GL	SEE PAGE 1-30
7	AG128492	1	BRKT-MTG,FRT,SIGHT GAUGE,860	
8	AG128493	1	BRKT-MTG,REAR,SIGHT GAUGE,860	
12	AG511528	-	HOSE 1.00 2BRD EPDM [BULK: 3.500 FT]	
14	AG513679	-	HOSE-1.00 EVA,TRANSLUCENT [BULK: 3.250 FT]	
19	AG561213	4	CLAMP 0.81-1.50 HOSE 16HS	
20	AG561229	4	CLAMP 0.68-1.25 HOSE 12HS	
21	AG562048	4	BOLT 0.37-16NCX 1.00 S.S. HHD	
22	AG562050	6	WASHER 0.37 LK SS REG	
23	AG562065	6	NUT 0.37-16NC HEX SS REG	
24	AG562073	18	WASHER 0.37 FL SS REG TYPE-B	
25	AG562123	4	NUT 0.37-16NC HEX SS C-LK	
27	AG604167	4	BOLT 0.37-16NCX 1.25 S.S. HHD	
29	AG609084	2	BOLT 0.37-16NCX 1.00 SS CRG	

TANKANDSADDLE ASM-1080L SS

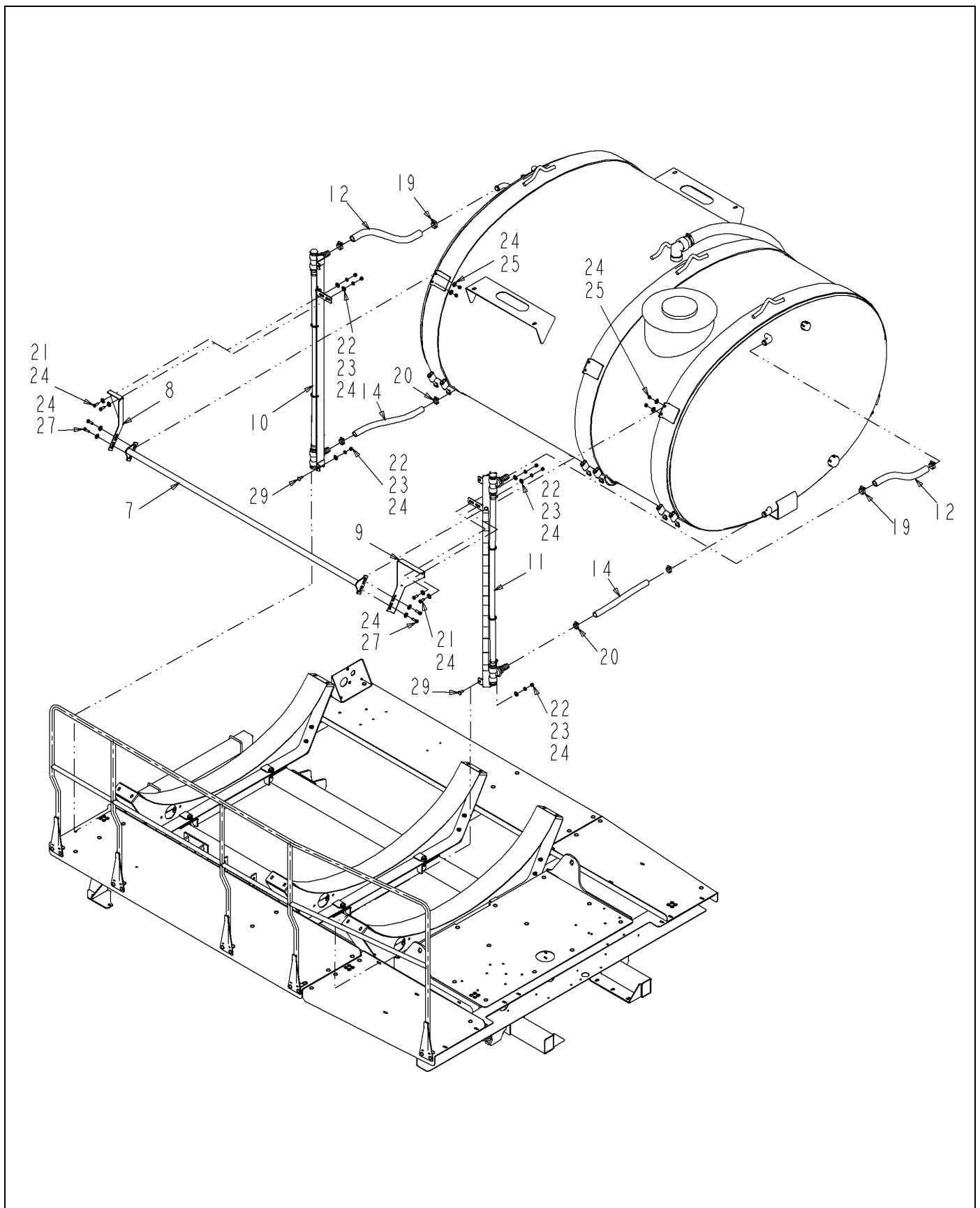


520752D1-01-R506-01.TIF

TANKANDSADDLE ASM-1080L SS

ITEM	PART #	QTY	DESCRIPTION	COMMENTS
1	AG121042	1	PLATE-STOP,TANK,PRODUCT	
2	AG121462	3	MATTING-RUBBER,TK SPRT,1080GL	
3	AG121463	3	MATTING-RUBBER,TK STRAP,1080GL	
4	AG121862	1	TANK INSTL-RINSE, TOP,1080GL	SEE PAGE 10-7
5	AG127823	3	STRAP WLDMT-TANK,1080GL	
6	AG127833	1	SADDLE ASM-1080GL	SEE PAGE 1-32
13	AG512346	AR	3M 1300 YELLOW ADHESIVE (GAL)	
15	AG514559	24	WASHER 0.37 FL ZN SAE TYP-A G8	
16	AG523935	2	BOLT-U,,38-16X3.12X4.00,GRS,ZP	
17	AG551007	4	WASHER 0.37 FL ZN REG TYPE-B	
18	AG553557	AR	TIE CABLE 7.37 .06-1.37 BLACK	
26	AG601411	16	NUT 0.37-16NC HEX ZN REG NY	
28	AG606683	12	BOLT 0.37-16NCX 5.00 G8 ZN HHD	
30	520756D1	1	TANK ASM-1080GL SS	

TANKANDSADDLE ASM-1080L SS

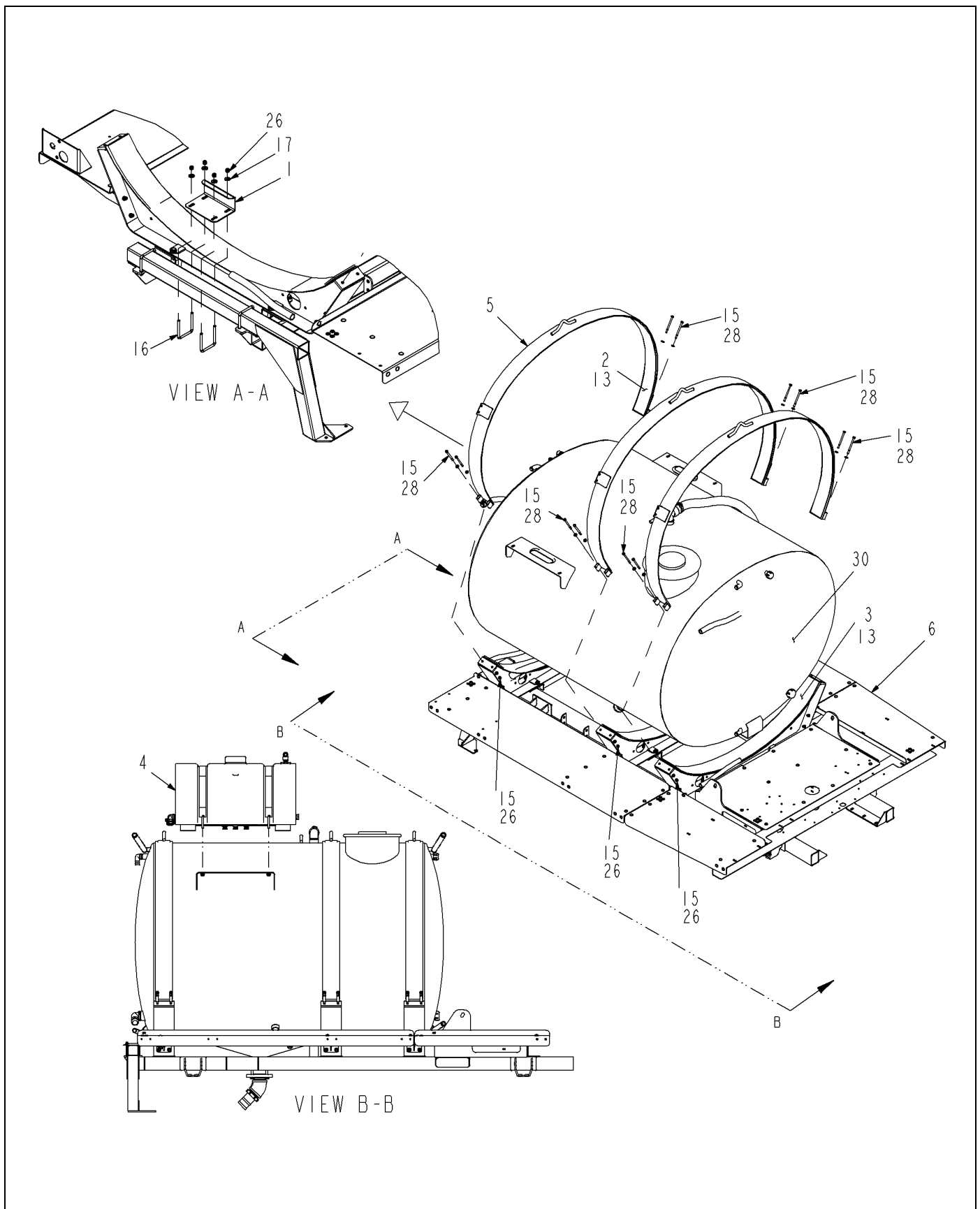


520752D1-01-R506-02.TIF

TANKANDSADDLE ASM-1080L SS

ITEM	PART #	QTY	DESCRIPTION	COMMENTS
7	AG127882	1	RETAINER WLDMT-HOSE,TANK	
8	AG128265	1	BRKT-MTG,FRT,SIGHT GAUGE,1040	
9	AG128266	1	BRKT-MTG,REAR,SIGHTGAUGE,1080	
10	AG128269	1	SIGHT GAUGE ASM-FRT,1080GL	SEE PAGE 1-33
11	AG128270	1	SIGHT GAUGE ASM-REAR,1080GL	SEE PAGE 1-34
12	AG511528	-	HOSE 1.00 2BRD EPDM [BULK: 3.500 FT]	
14	AG513679	-	HOSE-1.00 EVA,TRANSLUCENT [BULK: 3.250 FT]	
19	AG561213	4	CLAMP 0.81-1.50 HOSE 16HS	
20	AG561229	4	CLAMP 0.68-1.25 HOSE 12HS	
21	AG562048	4	BOLT 0.37-16NCX 1.00 S.S. HHD	
22	AG562050	6	WASHER 0.37 LK SS REG	
23	AG562065	6	NUT 0.37-16NC HEX SS REG	
24	AG562073	18	WASHER 0.37 FL SS REG TYPE-B	
25	AG562123	4	NUT 0.37-16NC HEX SS C-LK	
27	AG604167	4	BOLT 0.37-16NCX 1.25 S.S. HHD	
29	AG609084	2	BOLT 0.37-16NCX 1.00 SS CRG	

TANKANDSADDLE ASM-1240L SS

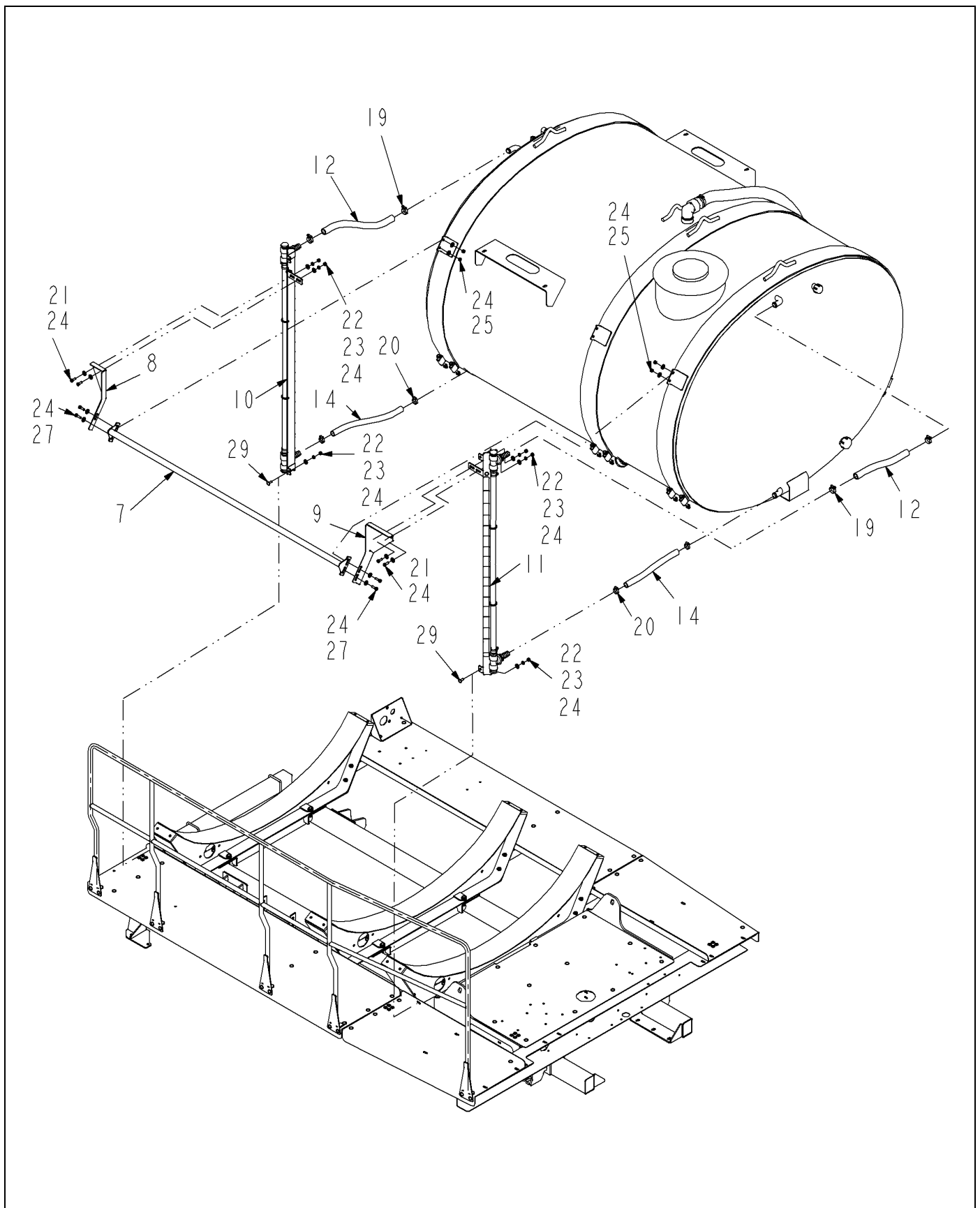


520753D1-01-R506-01.TIF

TANKANDSADDLE ASM-1240L SS

ITEM	PART #	QTY	DESCRIPTION	COMMENTS
1	AG121042	1	PLATE-STOP,TANK,PRODUCT	
2	AG121461	3	MATTING-RUBBER,TK STRAP,1240GL	
3	AG121462	3	MATTING-RUBBER,TK SPRT,1080GL	
4	AG122202	1	TANK INSTL-RINSE, TOP,1240GL	SEE PAGE 10-2
5	AG127822	3	STRAP WLDMT-TANK,1240GL	
6	AG127832	1	SADDLE ASM-1240GL	SEE PAGE 1-24
13	AG512346	AR	3M 1300 YELLOW ADHESIVE (GAL)	
15	AG514559	24	WASHER 0.37 FL ZN SAE TYP-A G8	
16	AG523935	2	BOLT-U,,38-16X3.12X4.00,GRS,ZP	
17	AG551007	4	WASHER 0.37 FL ZN REG TYPE-B	
18	AG553557	AR	TIE CABLE 7.37 .06-1.37 BLACK	
26	AG601411	16	NUT 0.37-16NC HEX ZN REG NY	
28	AG606683	12	BOLT 0.37-16NCX 5.00 G8 ZN HHD	
30	520756D1	1	TANK ASM-1080GL SS	

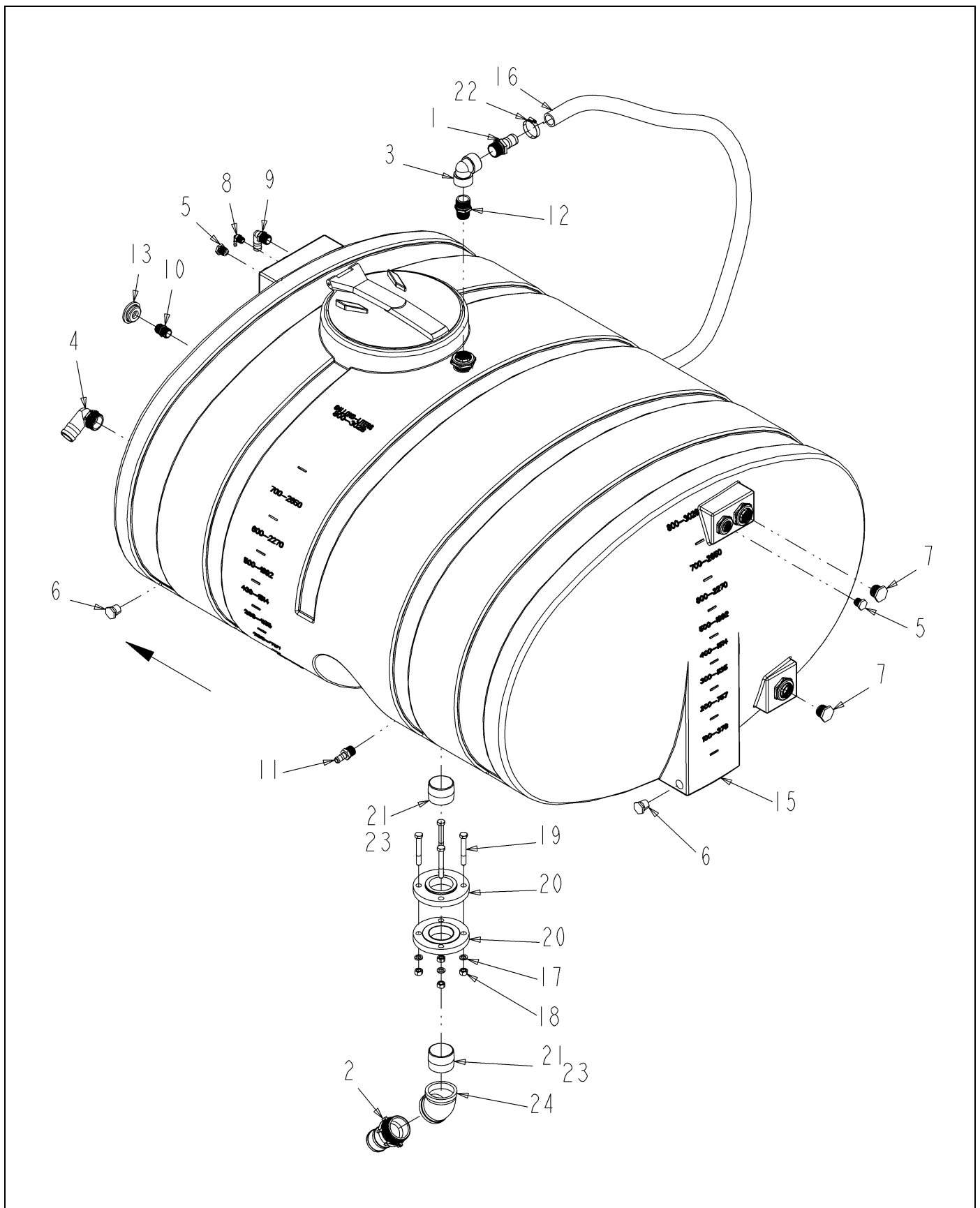
TANKANDSADDLE ASM-1240L SS



520753D1-01-R506-02.TIF

TANKANDSADDLE ASM-1240L SS

ITEM	PART #	QTY	DESCRIPTION	COMMENTS
7	AG127882	1	RETAINER WLDMT-HOSE,TANK	
8	AG128108	1	BRKT-MTG,FRT,SIGHT GAUGE,1240	
9	AG128109	1	BRKT-MTG,REAR,SIGHT GAUGE,1240	
10	AG128110	1	SIGHT GAUGE ASM-FRT,1240GL	SEE PAGE 1-25
11	AG128111	1	SIGHT GAUGE ASM-REAR,1240GL	SEE PAGE 1-26
12	AG511528	-	HOSE 1.00 2BRD EPDM [BULK: 3.334 FT]	
14	AG513679	-	HOSE-1.00 EVA,TRANSLUCENT [BULK: 3.250 FT]	
19	AG561213	4	CLAMP 0.81-1.50 HOSE 16HS	
20	AG561229	4	CLAMP 0.68-1.25 HOSE 12HS	
21	AG562048	4	BOLT 0.37-16NCX 1.00 S.S. HHD	
22	AG562050	6	WASHER 0.37 LK SS REG	
23	AG562065	6	NUT 0.37-16NC HEX SS REG	
24	AG562073	18	WASHER 0.37 FL SS REG TYPE-B	
25	AG562123	4	NUT 0.37-16NC HEX SS C-LK	
27	AG604167	4	BOLT 0.37-16NCX 1.25 S.S. HHD	
29	AG609084	2	BOLT 0.37-16NCX 1.00 SS CRG	

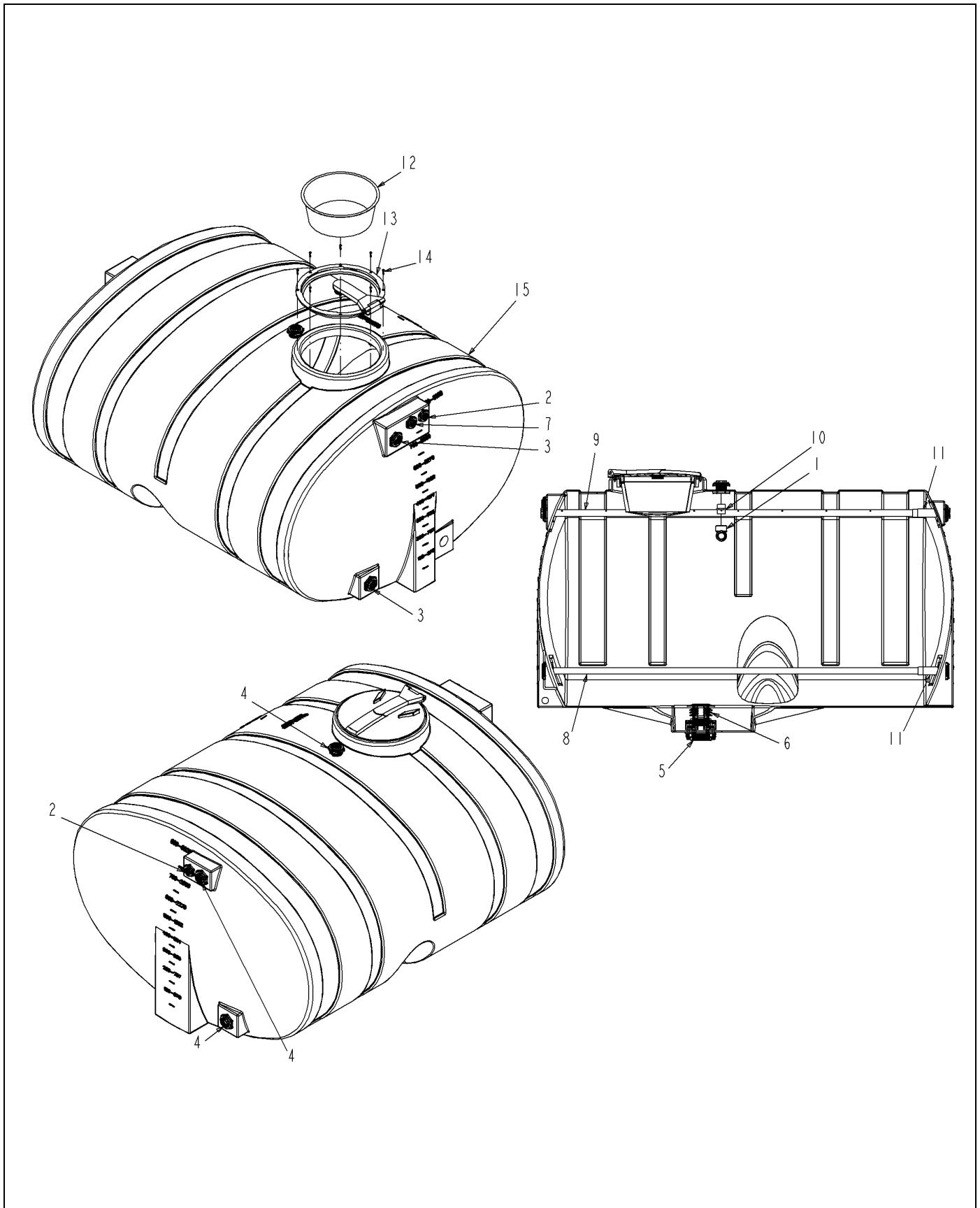


135330-05-R340-.TIF

FTG ASM-TANK,800GL POLY

ITEM	PART #	QTY	DESCRIPTION	COMMENTS
1	AG000766	1	BARB-HOSE,1.50MNPTX1.50BARB,PP	
2	AG000768	1	BARB-HOSE,3.00MNPTX3.00BARB,PP	
3	AG050275	1	ELBOW-PIPE,1.50FNPT,90D,PP	
4	AG050692	1	ELBOW 90D 2.00NPTX2.00 BARB PP	
5	AG051134	2	PLUG-PIPE,HEX,0.75NPT,PP	
6	AG051135	2	PLUG-PIPE,HEX,1.00NPT,PP	
7	AG051136	2	PLUG-PIPE,HEX,1.25NPT,PP	
8	AG051138	1	ELBOW 90D 0.50NPTX0.38BARB PP	
9	AG051145	1	ELBOW 90D 1.00NPTX1.00 BARB PP	
10	AG051153	1	NIPPLE-PIPE,1.00NPTXCLS,PP	
11	AG051182	1	BARB-HOSE,1.00MNPTX0.75BARB,PP	
12	AG051438	1	NIPPLE POLY RED 1.50 X 1.25	
13	AG059580	1	PLUG 2.00FLANGEX1.00FJNPT	
14	AG129187	AR	PIPE SEALANT-FLEX BLACK	
15	AG135312	1	TANK ASM-3.00 SUMP,800GL POLY	SEE PAGE 1-9
16	AG513466	-	HOSE-1.50,LIQ PROD.SUC & DIS [BULK: 10.334 FT]	
17	AG550450	4	WASHER 0.62 LK ZN REG	
18	AG550477	4	NUT 0.62-11NC HEX ZN REG	
19	AG552046	4	BOLT 0.62-11NCX 4.50 G5 ZN HHD	
20	AG553026	2	FLANGE COMP 3.0NPTX7.5 4H	
21	AG560931	2	NIPPLE 3.00NPTX 2.62CLS 304SS	
22	AG561233	1	CLAMP-HOSE,1.81X2.75,36HS	
23	AG711522	AR	SEALANT PIPE""BLACKJACK""RS #21	
24	AG711986	1	ELBOW 45D 3.00 IN 304SS	

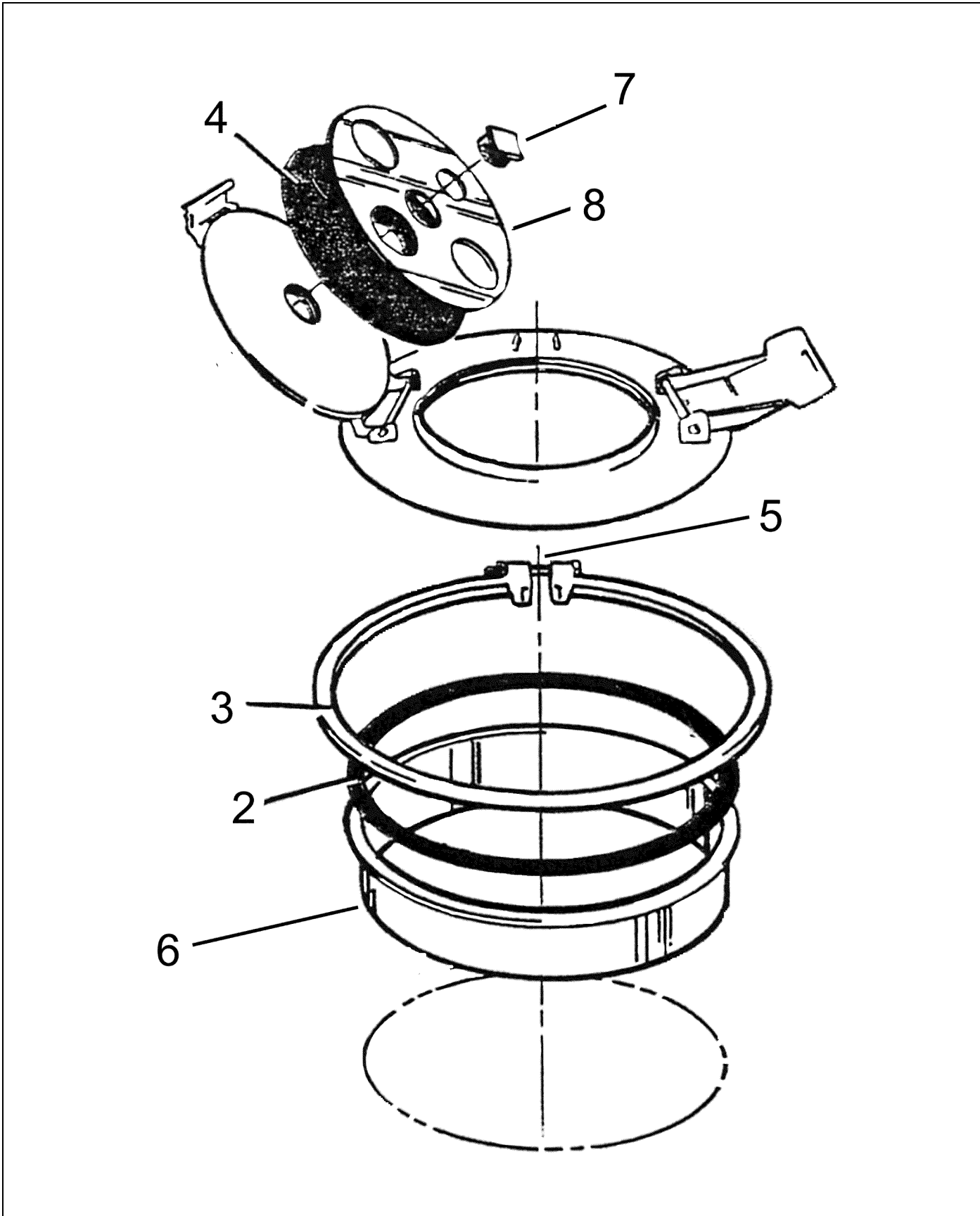
TANK ASM-3.00 SUMP,800GL POLY



135312-02-R340-.TIF

TANK ASM-3.00 SUMP,800GL POLY

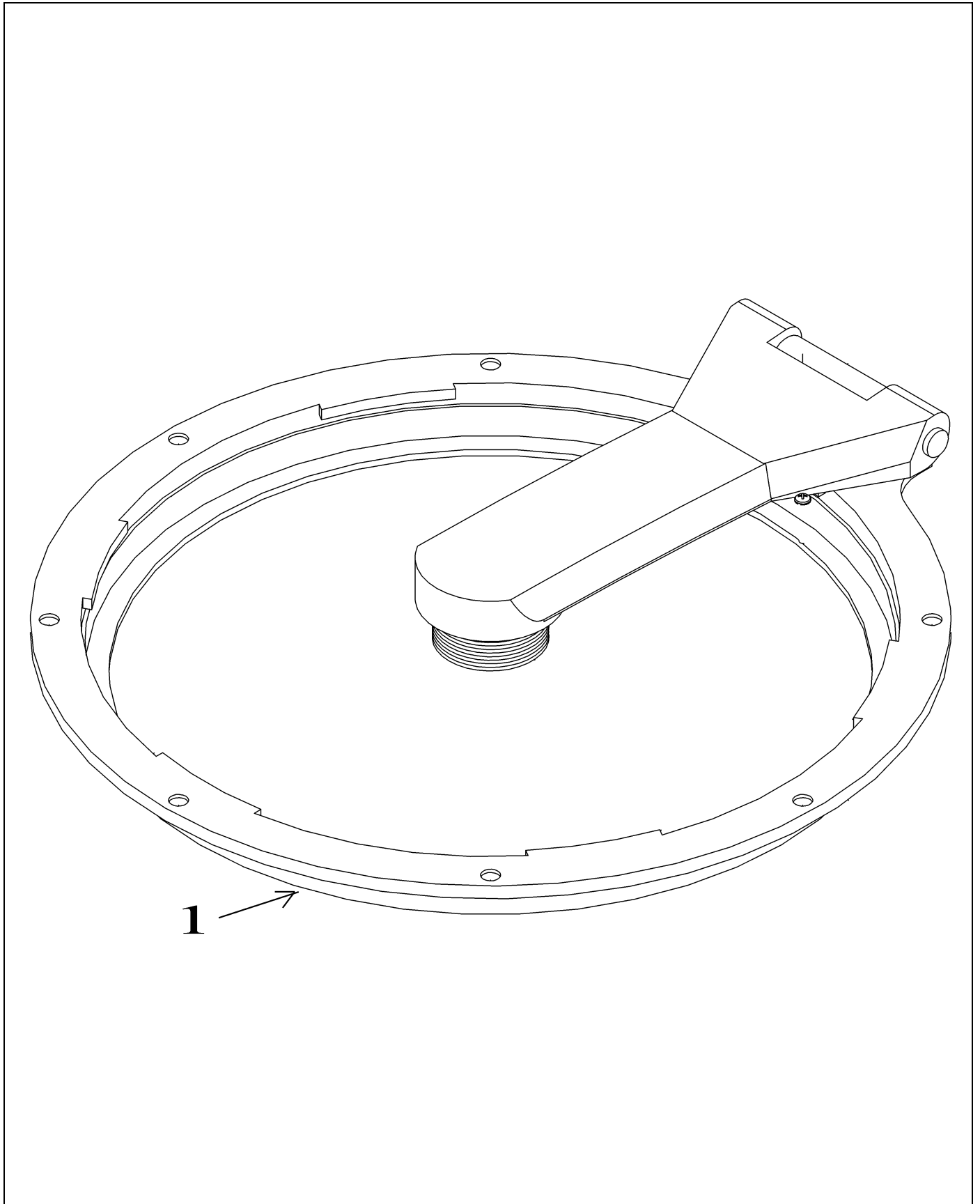
ITEM	PART #	QTY	DESCRIPTION	COMMENTS
1	AG051162	1	TEE,PIPE,1.25FNPT,PP	
2	AG054738	2	TANK FITTING 0.75 POLY	
3	AG054739	2	TANK FITTING 1.00 POLY	
4	AG054740	3	TANK FITTING 1.25 POLY	
5	AG055672	1	FITTING-BD, TANK, 3IN	
6	AG059545	1	VENT CAP/ANTI VORTEX 3.00W/SCR	
7	AG060231	1	FLANGE,,50 POLY TANK	
8	AG233132	1	SPARGER TUBE WLDMT 800 POLY	
9	AG233134	1	TANK RINSE WLDMT 800 POLY	[A]
10	AG263209	1	NIPPLE RWK-PIPE,1.25NPT	
11	AG563151	2	NIPPLE 1.25NPTX 6.00 304SS	
12	6670277	1	SCREEN-TANK,SPRAY	
13	6672457	1	COVER-HINGED	SEE PAGE 1-11
14	6804681	8	SCREW-STAINLESS	
15	507684D1	1	TANK-3.00 SUMP,800GL POLY,WHT	
	FOOTNOTE [A]		DRESSER FITTING - AG051710, DRESSER FITTING GASKET - AG705442	



703082.tif

ASM 10" LID

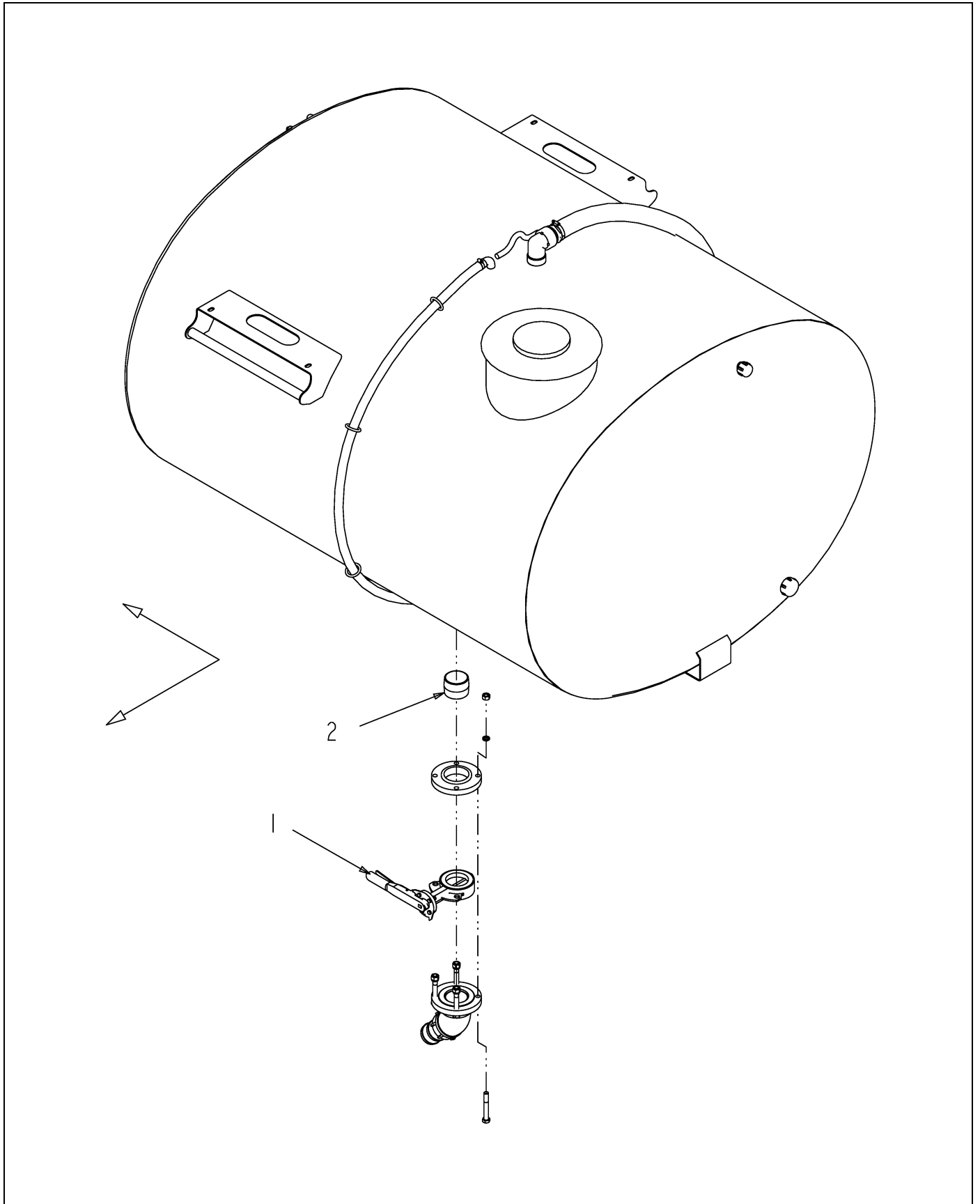
ITEM	PART #	QTY	DESCRIPTION	COMMENTS
REF	AG709046	1	COVER FILL	
2	AG703081	1	GASKET BUNA (USED ON 703036	[A]
3	AG703084	1	RING CLAMPING 16 IN PLAIN STEEL	[B]
4	AG002309	1	KIT GASKET 10 IN	
5	AG850263	1	BOLT 3/8X5 IN FULL THREAD T.P.	
6	AG703083	1	NECK FILL WELL 54042 (703036)	[C]
7	AG007505	1	NUT S.S. TANK LID PLUG VENT	
8	AG844769	1	PLATE BOTTOM 026513	
	FOOTNOTE [A]		ROGATOR SS TANK GASKET-UNDER RING ALSO REF. PARTS BULLETIN 00103	
	FOOTNOTE [B]		ALSO REF PARTS BULLETIN 00103.	
	FOOTNOTE [C]		ALSO REF PARTS BULLETIN 00103.	



6672457.TIF

COVER-HINGED

ITEM	PART #	QTY	DESCRIPTION	COMMENTS
REF	WR55622	1	O RING-ARM SEAL,400 GAL	
1	WR55589	1	GASKET-LID,400 GALLON	

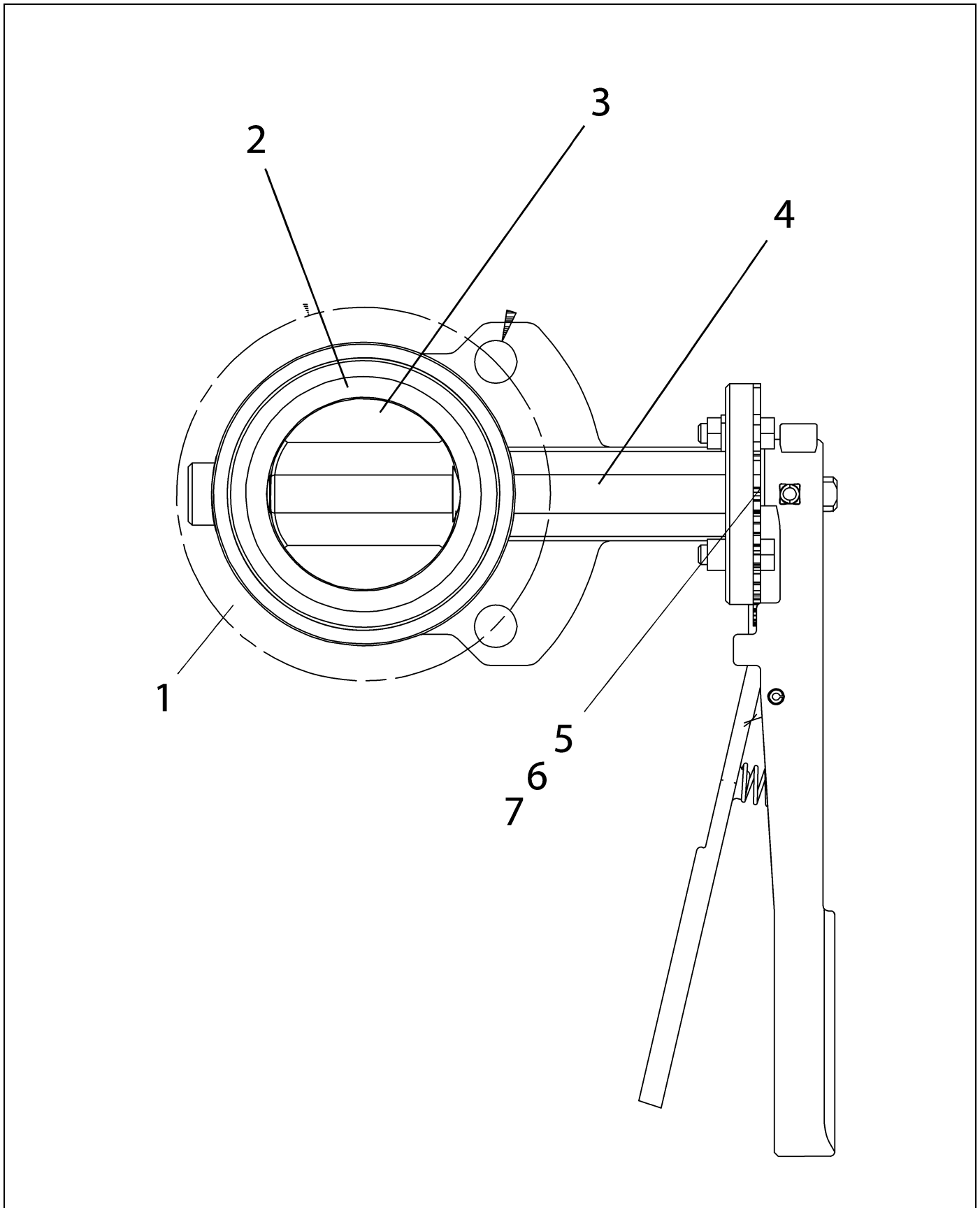


123651-02-N312-.TIF

OPT-SUMP VALVE,3.00, MANUAL

ITEM	PART #	QTY	DESCRIPTION	COMMENTS
1	AG520095	1	VALVE 3.00 BFLY W/10P LEVER	SEE PAGE 1-13
2	AG711522	AR	SEALANT PIPE""BLACKJACK""RS #21	

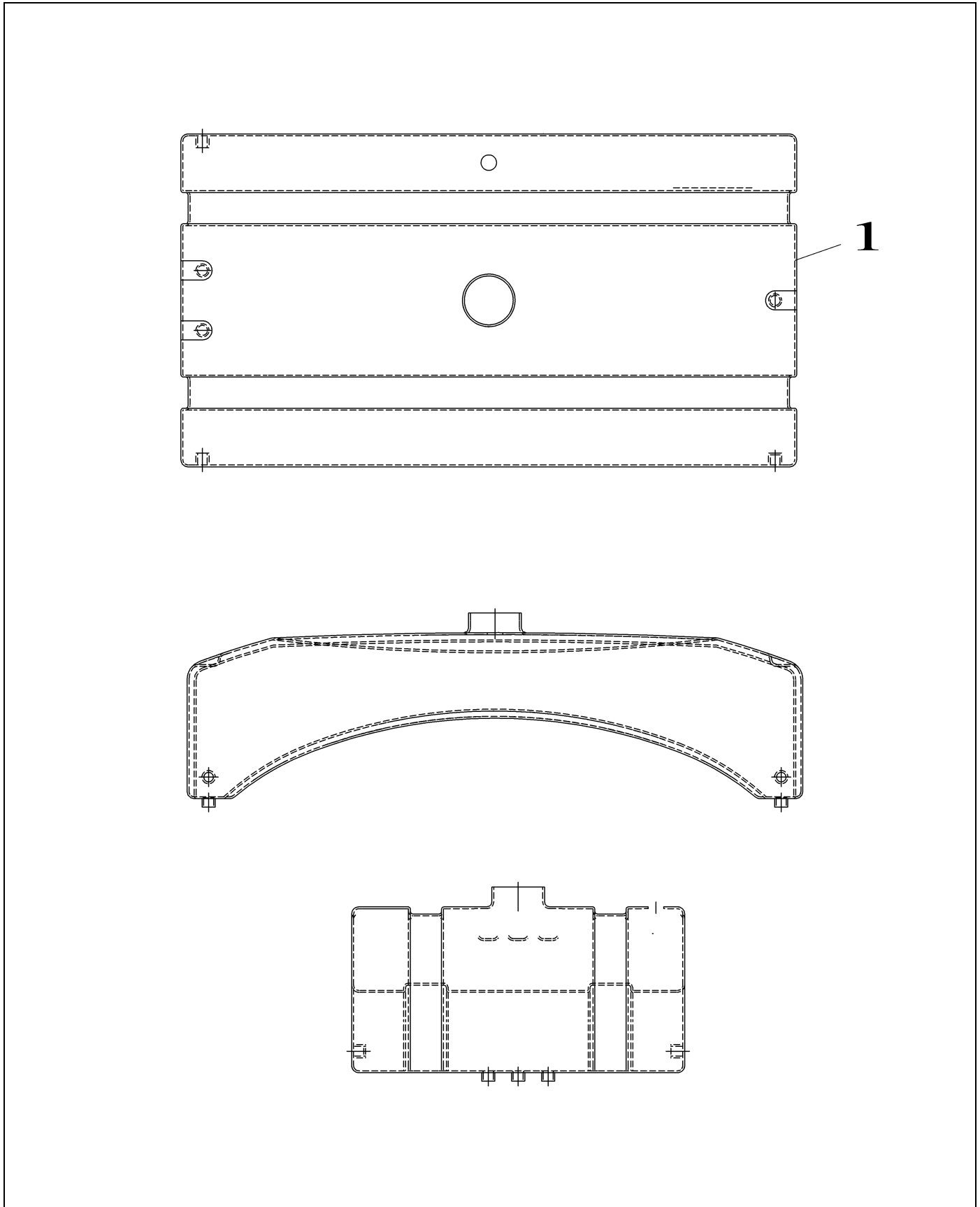
VALVE 3.00 BFLY W/10P LEVER



520095-E.TIF

VALVE 3.00 BFLY W/10P LEVER

ITEM	PART #	QTY	DESCRIPTION	COMMENTS
REF	AG723074	1	REPAIR KIT-VITON 3 IN 520095	
REF	AG717132	1	KIT-REPAIR,VALVE 3.00	
REF	AG610181	1	HANDLE-VALVE,2.0/3.0 10 POS	
1	AG520377	1	VALVE-BTFL,3.00	SEE PAGE 2-8
2	AG716188	1	SEAT- 3.00 EPDM	
2	AG727089	1	SEAT/VALVE 3 IN VITON	
3	AG131015	1	DISC, VALVE	
4	AG131014	1	STEM, VALVE	
5	AG727083	1	SEAL/STEM-2 IN SS VALV	
6	AG727085	1	BUSHING/VALVE 3 IN SS	
7	AG716190	1	KIT RETAINER 2.00 & 3.00 IN	

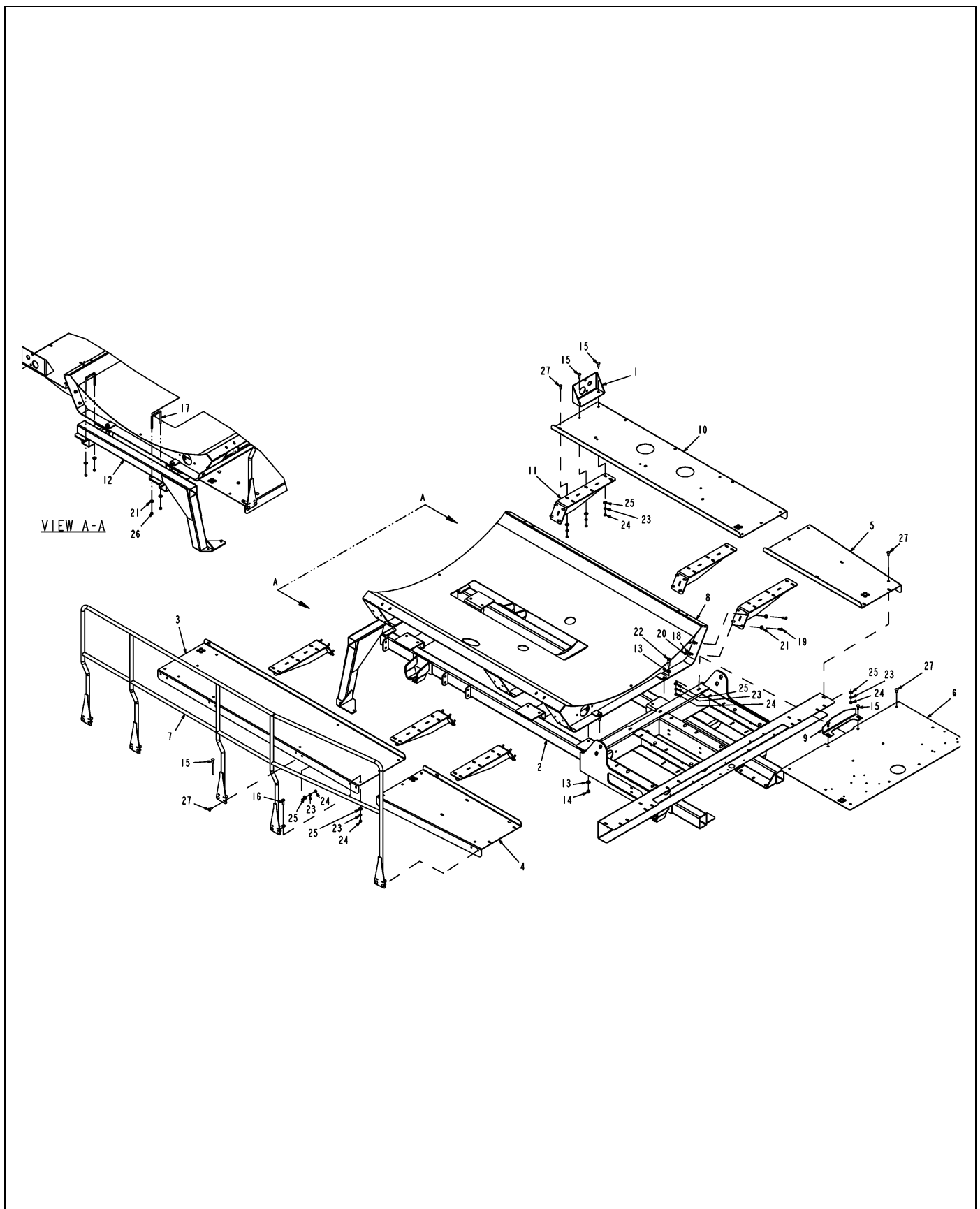


328859-A.TIF

TANK-REWORK

ITEM	PART #	QTY	DESCRIPTION	COMMENTS
1	AG422602	1	TANK-100GL,POLY, TOP	[A]
	FOOTNOTE [A]		AG711024 - THREADED LID	

SADDLE ASM-800GL POLY

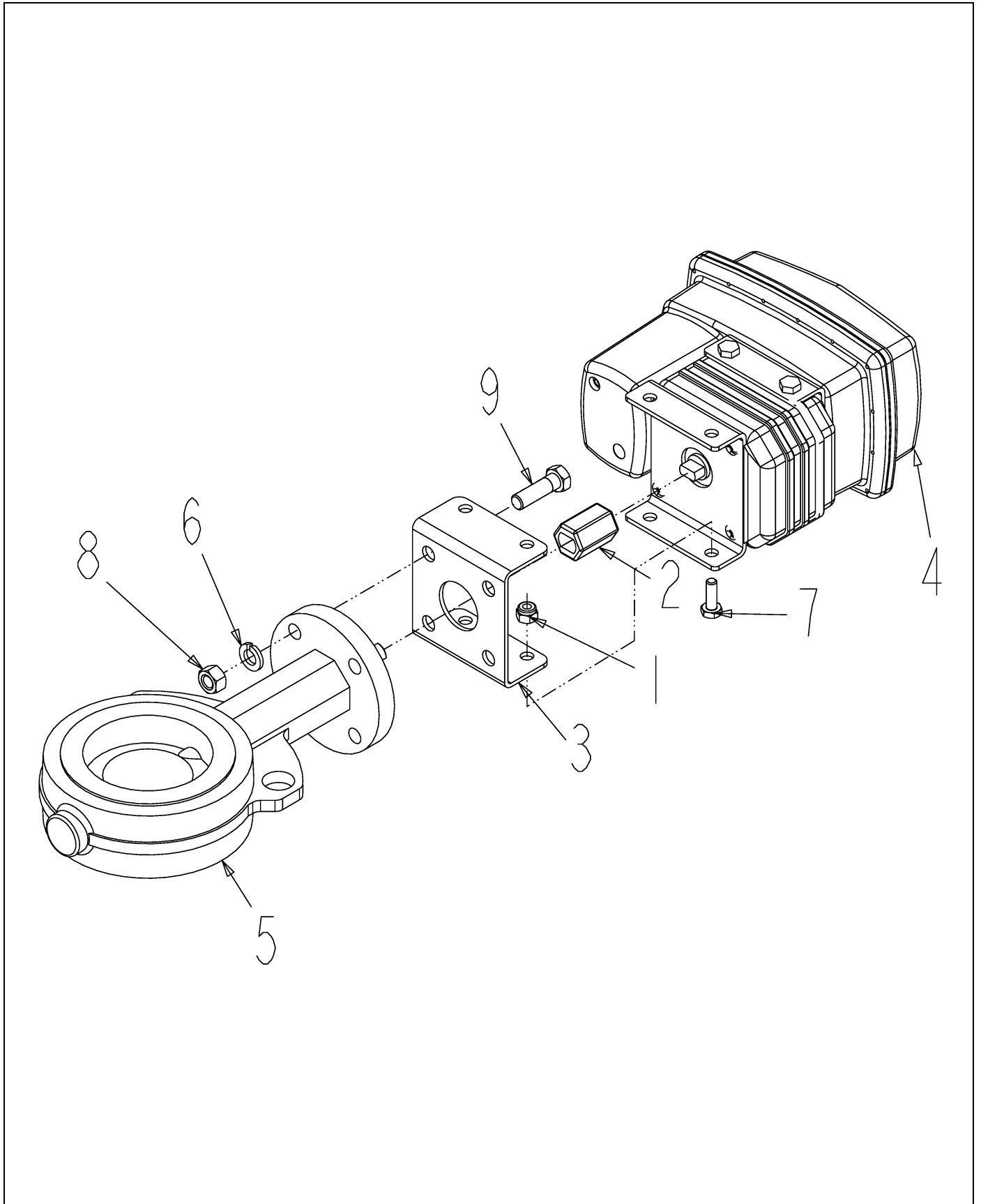


135332-01-M887.TIF

SADDLE ASM-800GL POLY

ITEM	PART #	QTY	DESCRIPTION	COMMENTS
1	AG122038	1	BRKT-MTG,PWM VALVE,LIQ SYS	
2	AG123805	1	SADDLE WLDMT-LONG TIEDOWN PAT	
3	AG127825	1	CATWALK-LH,FRONT	
4	AG127827	1	CATWALK-LH,REAR,1080/1240	
5	AG127828	1	CATWALK-RH,REAR,1080/1240	
6	AG127831	1	PLATE-CATWALK,CENTER	
7	AG128011	1	HNDRL WLDMT-LIQ SYS,1080/1240	
8	AG135333	1	SUPPORT WLDMT-TANK,800GL POLY	
9	AG135432	1	PLATE-STOP,REAR,TANK,POLY	
10	AG136100	1	CATWALK-W/RINSE TANK,FRONT,RH	
11	AG262418	6	GUSSET WLDMT-CATWALK SUPPORT	
12	AG424387	1	SUPPORT WLDMT-PUMP	
13	AG514554	24	WASHER 0.50 FL ZN SAE TYP-A G8	
14	AG520614	12	NUT-.50-13,G8,ZN,HH,C-LK	
15	AG522571	6	BOLT 0.37-16NCX 1.25 304SS CRG	
16	AG522572	1	BOLT-.38-16X1.50,SS,CRG	
17	AG523935	2	BOLT-U, .38-16X3.12X4.00,GRS,ZP	
18	AG550191	24	WASHER 0.37 LK ZN REG	
19	AG550515	24	BOLT 0.37-16NCX 1.25 G5 ZN HHD	
20	AG550825	24	NUT 0.37-16NC HEX ZN REG	
21	AG551007	28	WASHER 0.37 FL ZN REG TYPE-B	
22	AG561665	12	BOLT 0.50-13NCX 2.00 G8 ZN HHD	
23	AG562050	50	WASHER 0.37 LK SS REG	
24	AG562065	50	NUT 0.37-16NC HEX SS REG	
25	AG562073	50	WASHER 0.37 FL SS REG TYPE-B	
26	AG601411	4	NUT 0.37-16NC HEX ZN REG NY	
27	AG609084	43	BOLT 0.37-16NCX 1.00 SS CRG	

VALVE ASM-3.00 ELEC,EH4,3 SEC

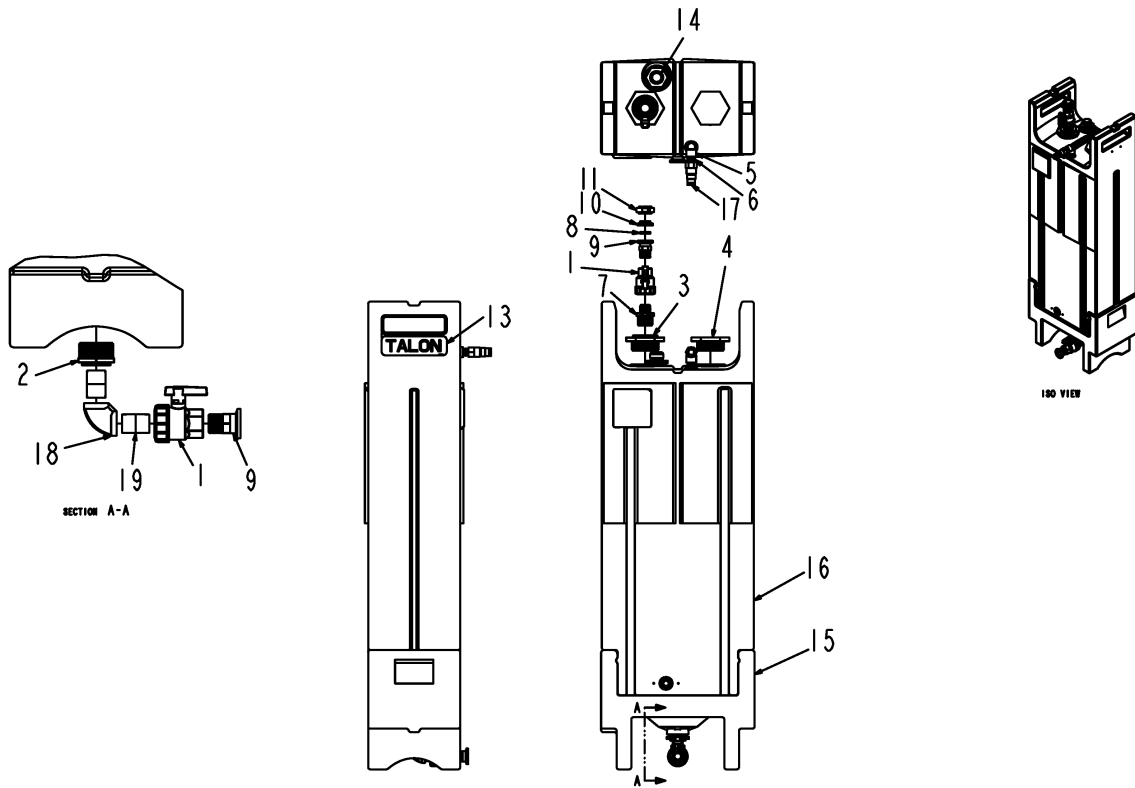


123760-02-N815-.TIF

VALVE ASM-3.00 ELEC,EH4,3 SEC

ITEM	PART #	QTY	DESCRIPTION	COMMENTS
1	AG027275	3	NUT 0.25-20NC HEX SS REG NY	
2	AG123647	1	COUPLER-EH4 ACTR/3.00 BTFL	
3	AG123648	1	BRACKET-EH4 ACTR/3.00 BTFL	
4	AG123649	1	ACTUATOR-EH4,W/4 PIN DEUTSCH	[A]
5	AG520377	1	VALVE-BTFL,3.00	SEE PAGE 2-8
6	AG562050	4	WASHER 0.37 LK SS REG	
7	AG562054	3	BOLT 0.25-20NCX 0.75 SS HHD	
8	AG562065	4	NUT 0.37-16NC HEX SS REG	
9	AG604167	4	BOLT 0.37-16NCX 1.25 S.S. HHD	
	FOOTNOTE [A]		CIRCUIT BOARD IS AG061259.	

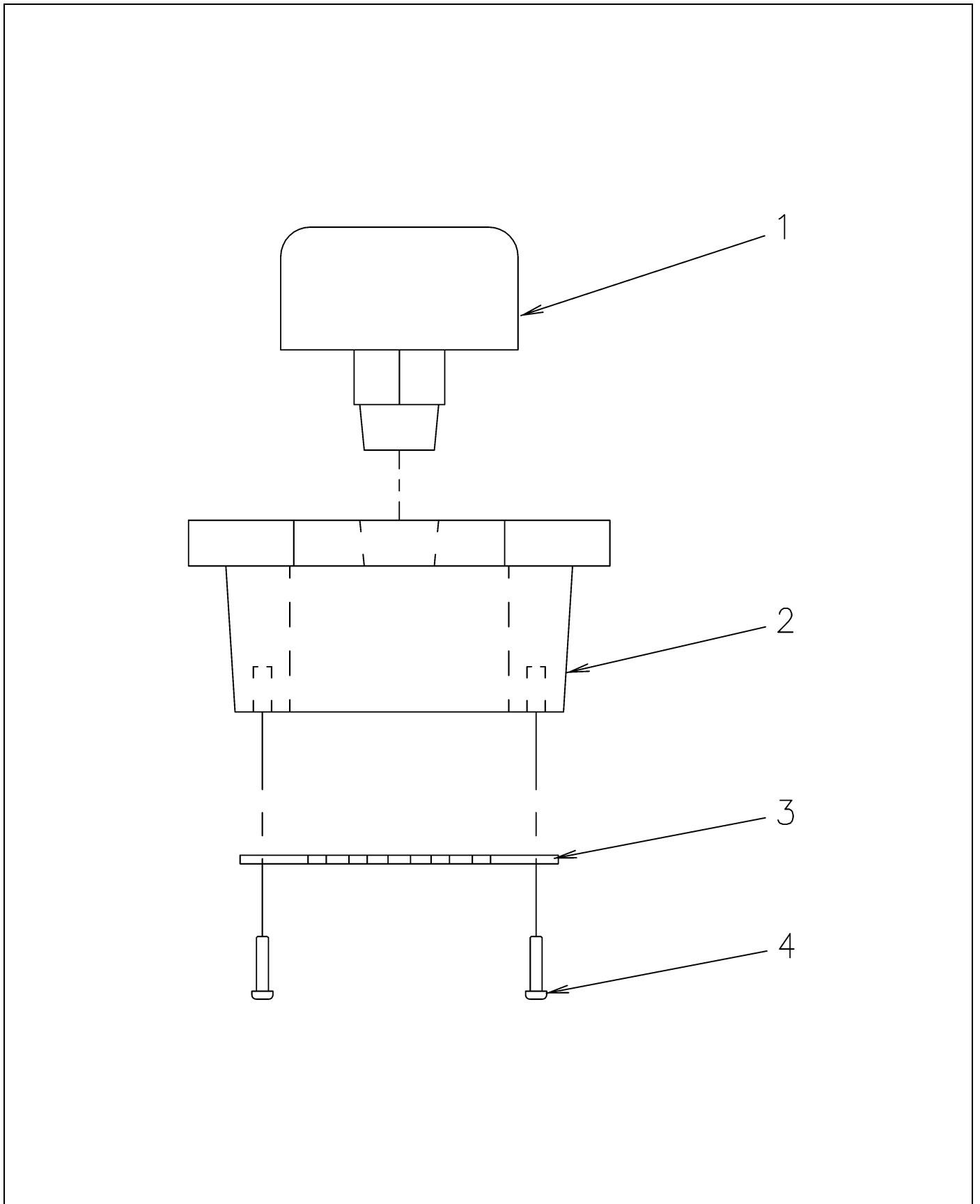
TANK ASM-40GL W/O AG



123895-B.TIF

TANK ASM-40GL W/O AG

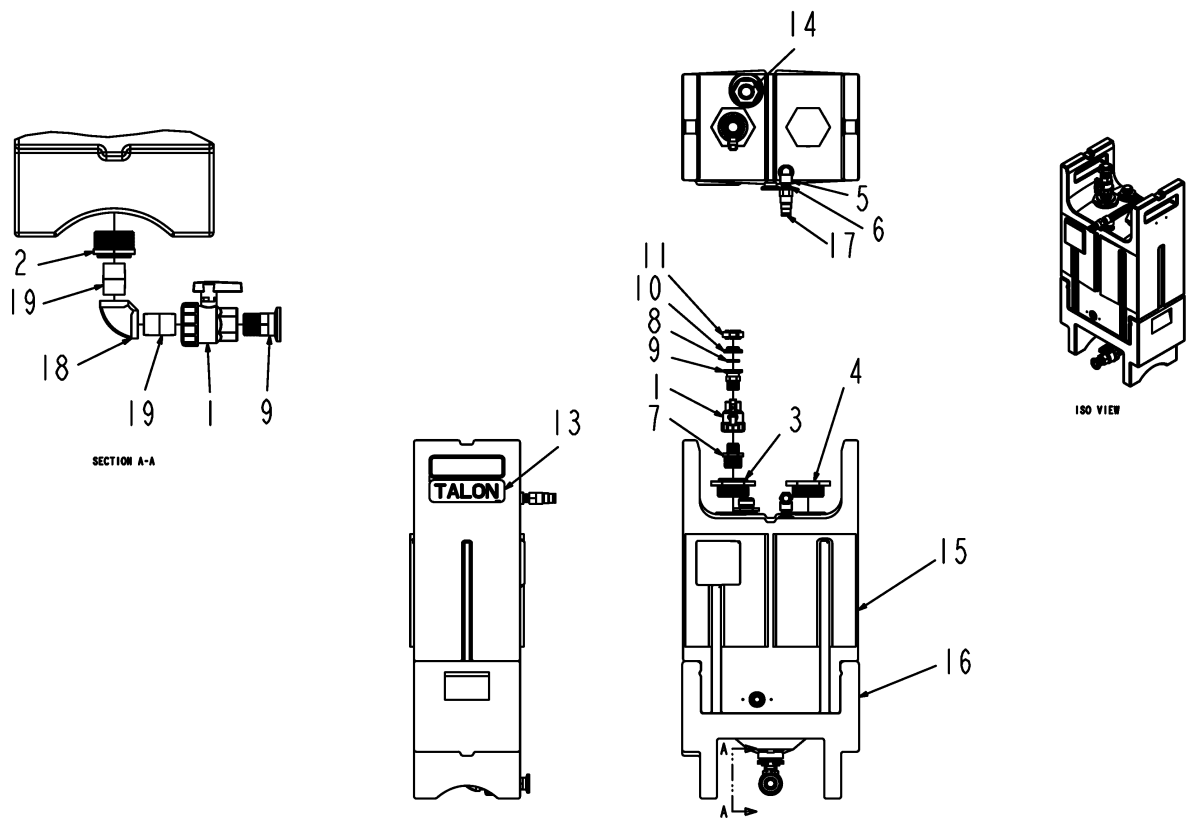
ITEM	PART #	QTY	DESCRIPTION	COMMENTS
1	AG050206	2	VALVE 1.00 NPT BALL UNION POLY	SEE PAGE 2-23
2	AG050259	1	BSHG-RDCR,HEX,2.00X1.00NPT,PP	
3	AG050680	1	BSHG-RDCR,HEX,3.00X1.50NPT,PP	
4	AG050683	1	PLUG-PIPE,HEX,3.00NPT,PP	
5	AG051125	1	ELBOW-PIPE,0.50FNPT,90D,PP	
6	AG051149	2	NIPPLE-PIPE,0.50NPTXCLS,PP	
7	AG053079	1	REDUCER NIPPLE 1.50 X 1.00	
8	AG056275	1	GASKET 1.00 EPDM MANIFOLD	
9	AG056277	2	CONNECTOR 1.00 MANIFOLD MATHD	
10	AG056278	1	PLUG 1.00 MANIFOLD	
11	AG056778	1	CLAMP 1.00	
12	AG129187	AR	PIPE SEALANT-FLEX BLACK	
13	AG237653	1	DECAL-TALON	
14	AG260019	1	VENT ASM-TANK	SEE PAGE 1-18
15	AG501330	1	BASE TANK PLASTIC	
16	AG501336	1	TANK CHEMICAL 40 GAL PLASTIC	[A]
17	AG520345	1	NIPPLE END-.50 NPT,DRY BREAK	
18	AG562304	1	ELBOW 90D 1.00X1.00 S.S. 304	
19	AG710516	2	NIPPLE 1.00NPTX 1.50CLS 304SS	
	FOOTNOTE [A]		BASE- AG501330 VALVE-DISCONNECT,DRY 1.0 FEM-AG520633	



260019-A.TIF

VENT ASM-TANK

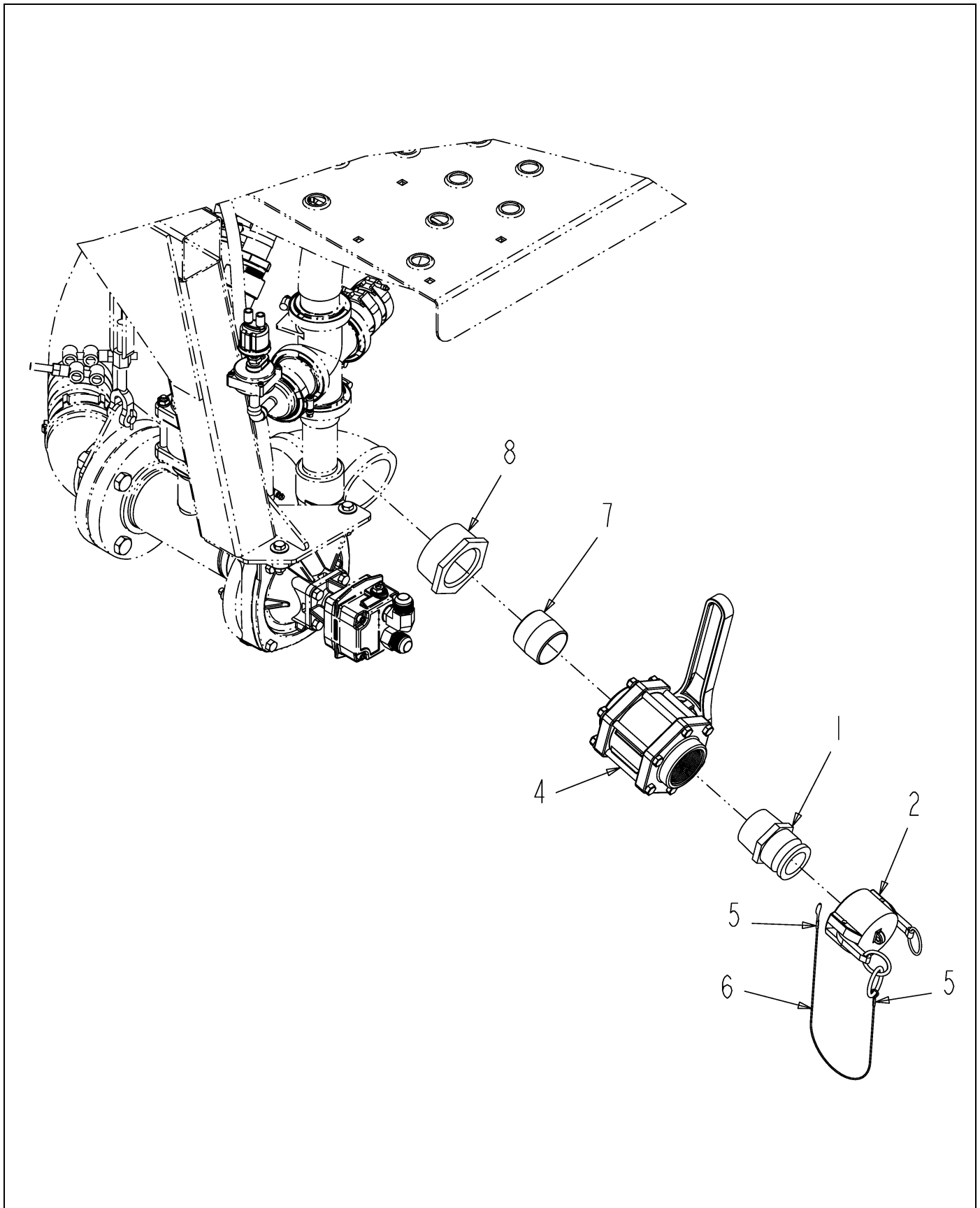
ITEM	PART #	QTY	DESCRIPTION	COMMENTS
REF	AG129187	AR	PIPE SEALANT-FLEX BLACK	
1	AG516181	1	BREATHER RESERVOIR	
2	AG260022	1	PLUG RWK-PIPE,2.00NPT	
3	AG260021	1	BAFFEL-VENT,TANK	
4	AG714085	2	SCREW 8-32X.375 TAP PAN HD	
	FOOTNOTE		TECH BULLETIN 9889.	
	FOOTNOTE		VENT ONLY = [516181]	



126103-B.TIF

TANK-ASM-20GL W/O AG

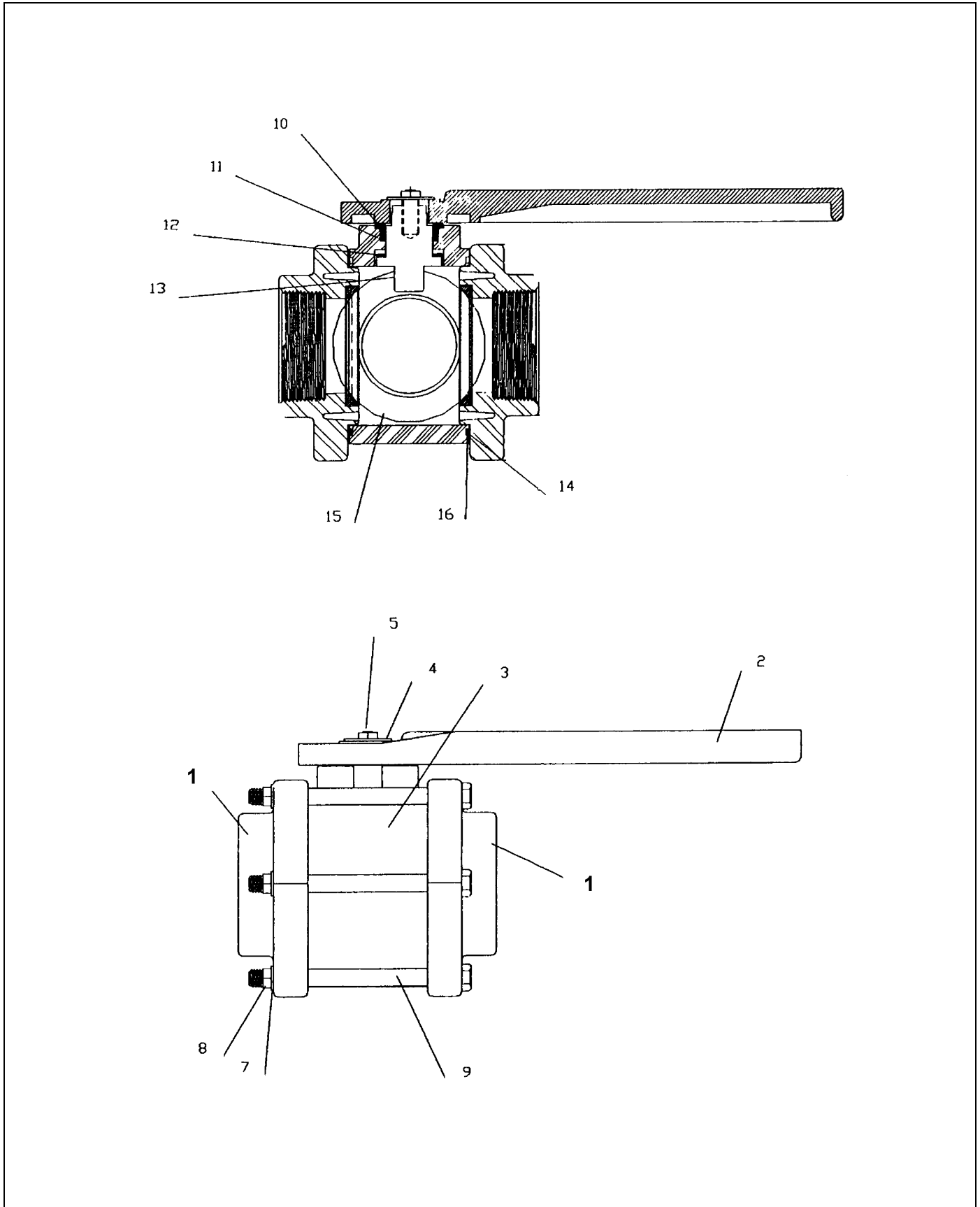
ITEM	PART #	QTY	DESCRIPTION	COMMENTS
1	AG050206	2	VALVE 1.00 NPT BALL UNION POLY	SEE PAGE 2-23
2	AG050259	1	BSHG-RDCR,HEX,2.00X1.00NPT,PP	
3	AG050680	1	BSHG-RDCR,HEX,3.00X1.50NPT,PP	
4	AG050683	1	PLUG-PIPE,HEX,3.00NPT,PP	
5	AG051125	1	ELBOW-PIPE,0.50FNPT,90D,PP	
6	AG051149	2	NIPPLE-PIPE,0.50NPTXCLS,PP	
7	AG053079	1	REDUCER NIPPLE 1.50 X 1.00	
8	AG056275	1	GASKET 1.00 EPDM MANIFOLD	
9	AG056277	2	CONNECTOR 1.00 MANIFOLD MATHD	
10	AG056278	1	PLUG 1.00 MANIFOLD	
11	AG056778	1	CLAMP 1.00	
12	AG129187	AR	PIPE SEALANT-FLEX BLACK	
13	AG237653	1	DECAL-TALON	
14	AG260019	1	VENT ASM-TANK	SEE PAGE 1-18
15	AG501329	1	TANK CHEMICAL 20 GAL PLASTIC	
16	AG501330	1	BASE TANK PLASTIC	
17	AG520345	1	NIPPLE END-.50 NPT,DRY BREAK	
18	AG562304	1	ELBOW 90D 1.00X1.00 S.S. 304	
19	AG710516	2	NIPPLE 1.00NPTX 1.50CLS 304SS	



131012-A.TIF

RELOAD INSTL-2.00,LIQ SYS

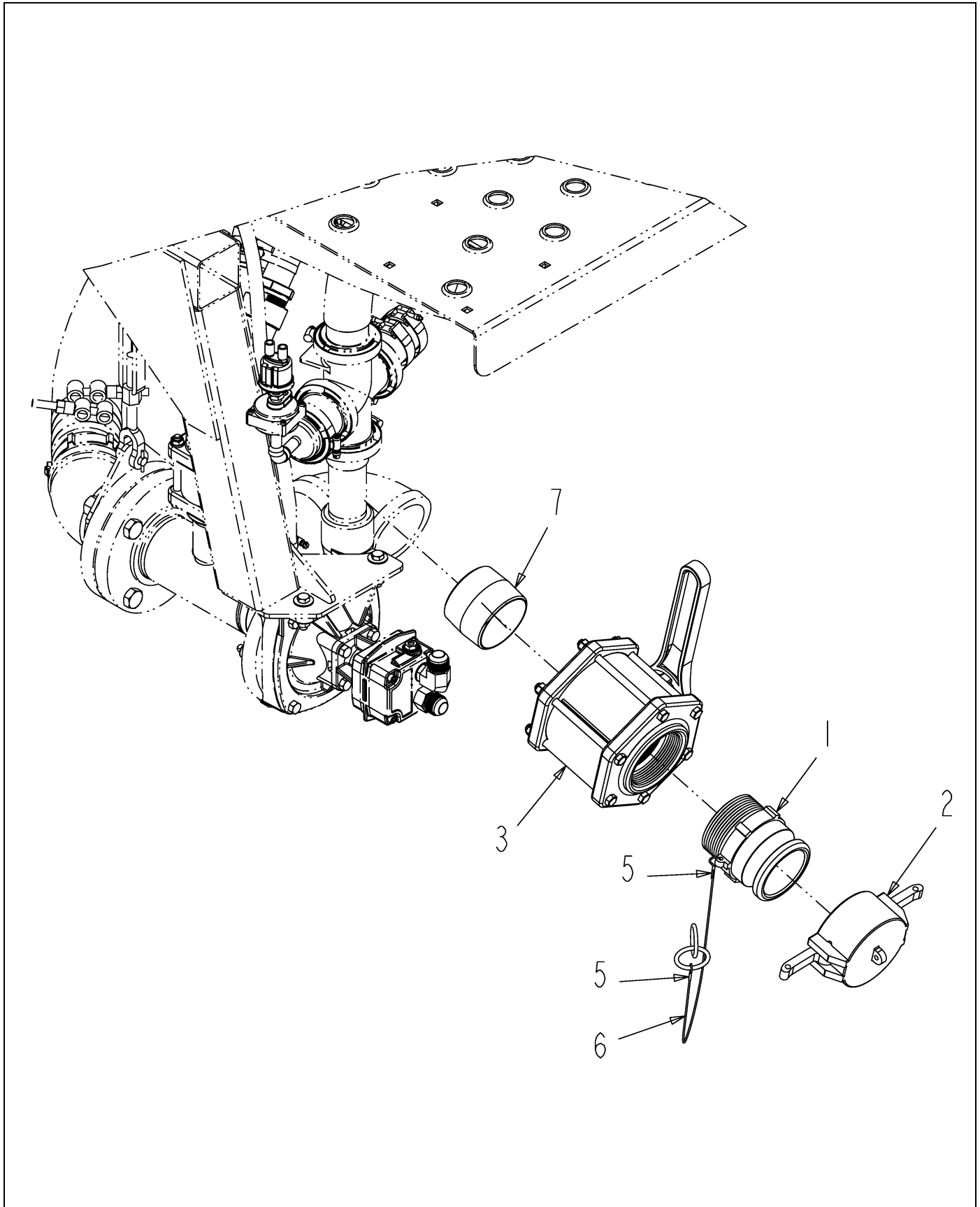
ITEM	PART #	QTY	DESCRIPTION	COMMENTS
1	AG000823	1	ADAP 2.00 POLY	
2	AG000829	1	CAP-LEVER,QC,2.00 PP	
3	AG129187	AR	PIPE SEALANT-FLEX BLACK	
4	AG513859	1	VLV BALL 2.00 POLY FF	SEE PAGE 1-21
5	AG515981	2	COMPRESSION SLEEVE	
6	AG516060	-	CABLE NYLON COATED [BULK: 2 FT]	
7	AG552305	1	NIPPLE 2.00NPTX 2.00CLS WR ST	
8	AG554766	1	BUSHG 3.00X 2.00NPT HX REDG ML	



513859.TIF

VLV BALL 2.00 POLY FF

ITEM	PART #	QTY	DESCRIPTION	COMMENTS
1	AG006582	1	END PLATE 2.00 FP	
2	AG000796	1	HANDLE 2&3	
3	AG007578	1	BODY	
7	AG054234	6	BODY LOCKWASHER 3/8	
8	AG054235	6	BODY NUT 3/8-16SS	
9	AG053860	6	BOLT SS BODY 0.37X4.50	
10	AG000801	1	BUSHING UPPER OR LOWER STEM	
11	AG000803	1	O-RING VITON	
12	AG054488	1	THRUST WASHER 3 IN	
14	AG006581	2	BALL SEAT	
15	AG000794	1	VALVE BALL 2.00	
16	AG006578	2	VALVE BODY O-RING VITON	

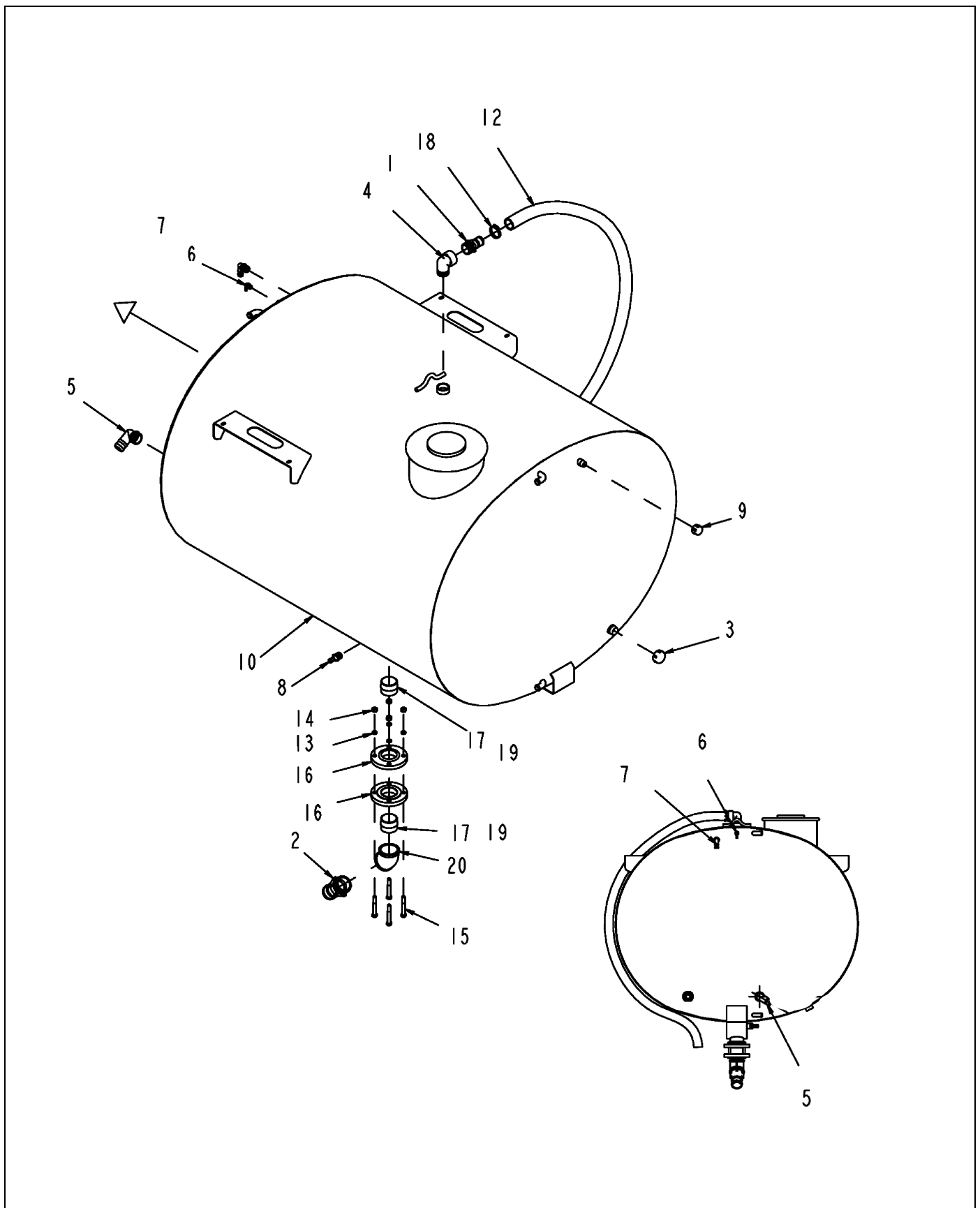


131013-A.TIF

RELOAD INSTL-3.00,LIQ SYS

ITEM	PART #	QTY	DESCRIPTION	COMMENTS
1	AG000824	1	ADAP 3.00 POLY	
2	AG000830	1	CAP-LEVER,QC,3.00 PP	
3	AG005492	1	VLV BALL 3.00 POLY FF	SEE PAGE 2-24
4	AG129187	AR	PIPE SEALANT-FLEX BLACK	
5	AG515981	2	COMPRESSION SLEEVE	
6	AG516060	-	CABLE NYLON COATED [BULK: 2 FT]	
7	AG552550	1	NIPPLE 3.00NPTX 2.62CLS WR ST	

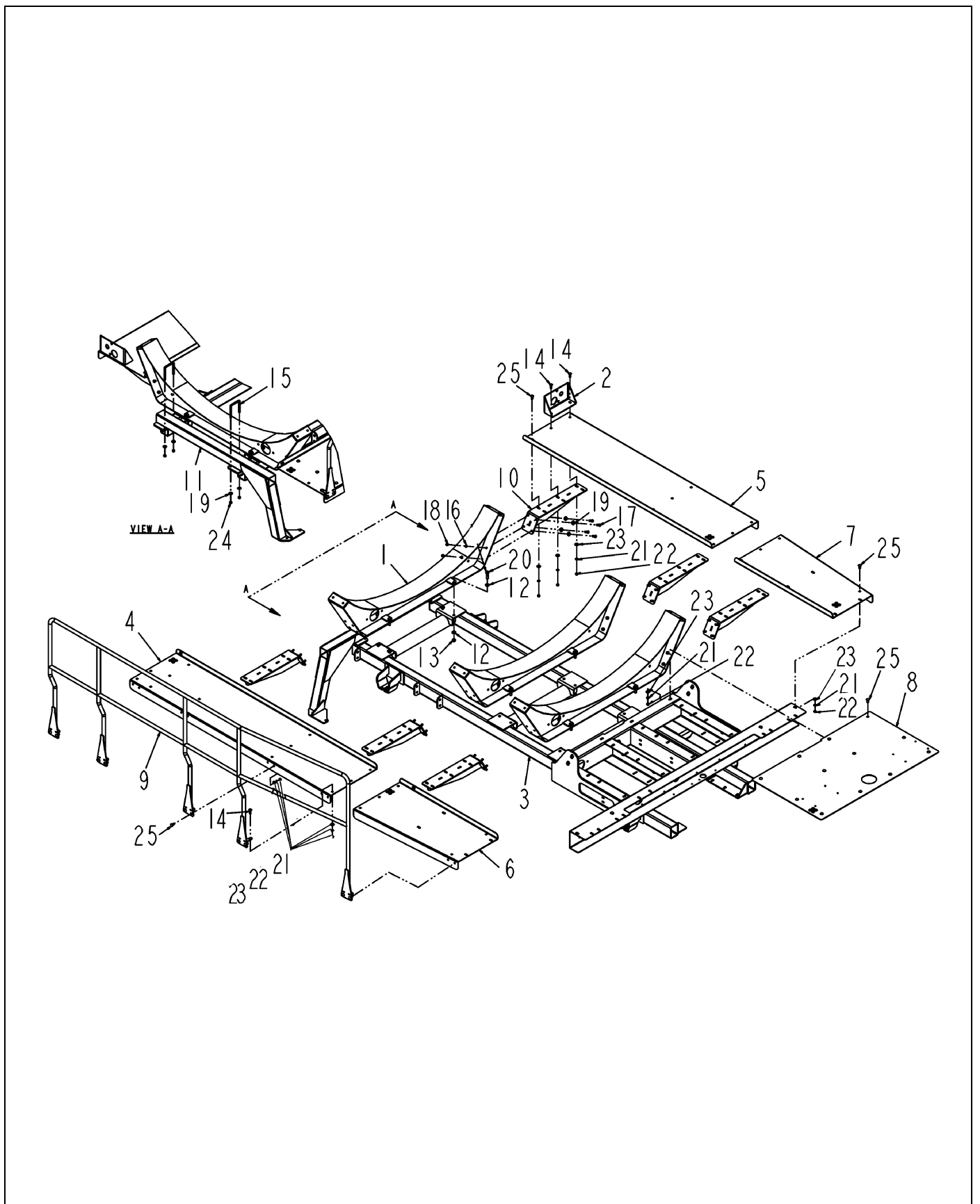
TANK ASM-1240GL



127819-04-N312-.TIF

TANK ASM-1240GL

ITEM	PART #	QTY	DESCRIPTION	COMMENTS
1	AG000767	1	BARB-HOSE,2.00MNPTX2.00BARB,PP	
2	AG000768	1	BARB-HOSE,3.00MNPTX3.00BARB,PP	
3	AG050269	1	CAP-PIPE,1.50NPT PP	
4	AG050689	1	ELBOW-PIPE,2.00STREET,90D,PP	
5	AG050692	1	ELBOW 90D 2.00NPTX2.00 BARB PP	
6	AG051138	1	ELBOW 90D 0.50NPTX0.38BARB PP	
7	AG051145	1	ELBOW 90D 1.00NPTX1.00 BARB PP	
8	AG051182	1	BARB-HOSE,1.00MNPTX0.75BARB,PP	
9	AG051536	1	CAP-PIPE,1.00NPT PP	
10	AG127816	1	TANK-1240GL,SS	
11	AG129187	AR	PIPE SEALANT-FLEX BLACK	
12	AG511722	-	HOSE-2.00,WIRE BRAID,EPDM [BULK: 10.334 FT]	
13	AG550450	4	WASHER 0.62 LK ZN REG	
14	AG550477	4	NUT 0.62-11NC HEX ZN REG	
15	AG552046	4	BOLT 0.62-11NCX 4.50 G5 ZN HHD	
16	AG553026	2	FLANGE COMP 3.0NPTX7.5 4H	
17	AG560931	2	NIPPLE 3.00NPTX 2.62CLS 304SS	
18	AG561233	1	CLAMP-HOSE,1.81X2.75,36HS	
19	AG711522	AR	SEALANT PIPE""BLACKJACK""RS #21	
20	AG711986	1	ELBOW 45D 3.00 IN 304SS	

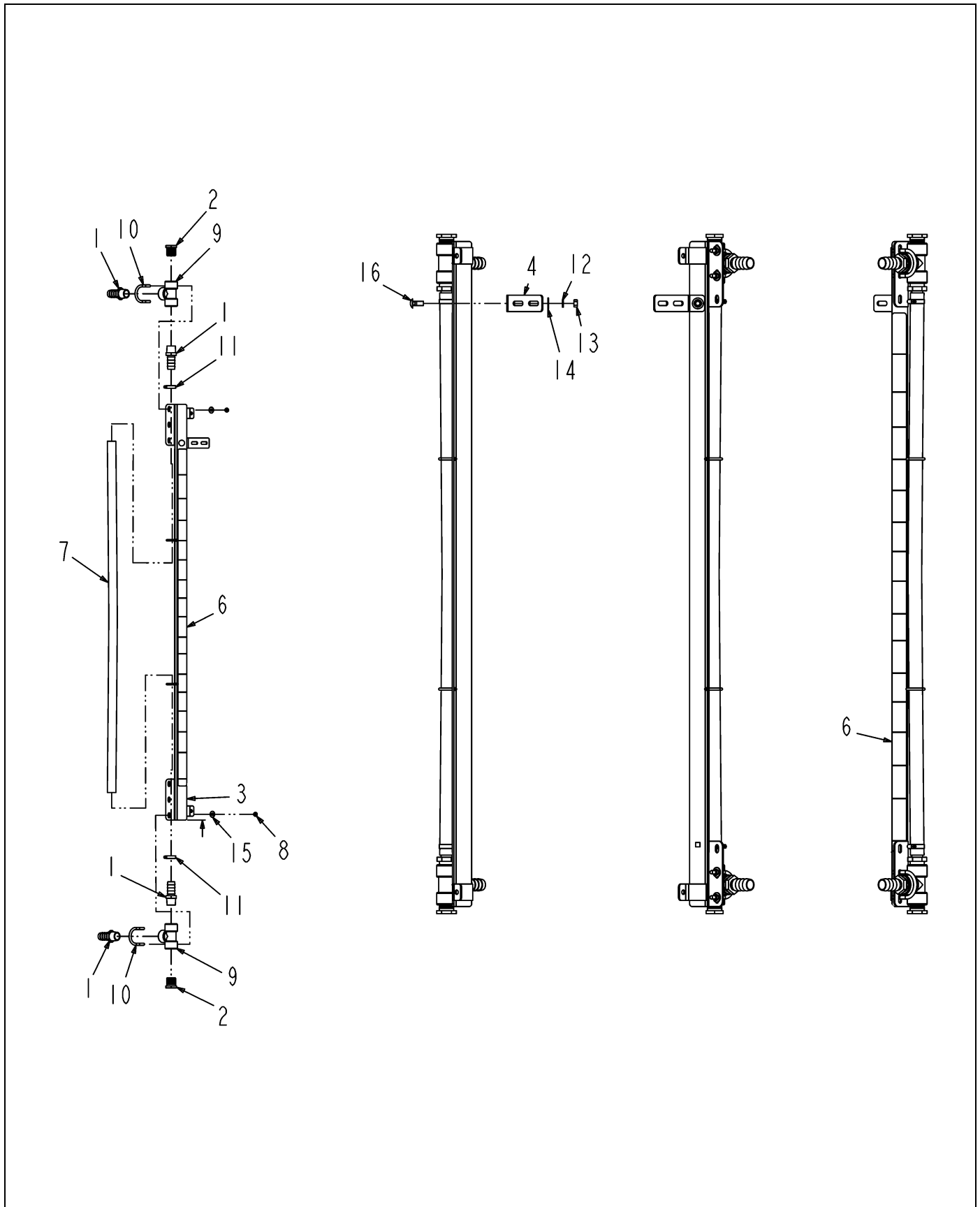


127832-A.tif

SADDLE ASM-1240GL

ITEM	PART #	QTY	DESCRIPTION	COMMENTS
1	AG121093	3	SUPPORT WLDMT-TANK,1240GL	
2	AG122038	1	BRKT-MTG,PWM VALVE,LIQ SYS	
3	AG123805	1	SADDLE WLDMT-LONG TIEDOWN PAT	
4	AG127825	1	CATWALK-LH,FRONT	
5	AG127826	1	CATWALK-RH,FRONT	
6	AG127827	1	CATWALK-LH,REAR,1080/1240	
7	AG127828	1	CATWALK-RH,REAR,1080/1240	
8	AG127831	1	PLATE-CATWALK,CENTER	
9	AG128011	1	HNDRL WLDMT-LIQ SYS,1080/1240	
10	AG262418	6	GUSSET WLDMT-CATWALK SUPPORT	
11	AG424387	1	SUPPORT WLDMT-PUMP	
12	AG514554	24	WASHER 0.50 FL ZN SAE TYP-A G8	
13	AG520614	12	NUT-.50-13,G8,ZN,HH,C-LK	
14	AG522571	5	BOLT 0.37-16NCX 1.25 304SS CRG	
15	AG523935	2	BOLT-U,.38-16X3.12X4.00,GRS,ZP	
16	AG550191	24	WASHER 0.37 LK ZN REG	
17	AG550515	24	BOLT 0.37-16NCX 1.25 G5 ZN HHD	
18	AG550825	24	NUT 0.37-16NC HEX ZN REG	
19	AG551007	28	WASHER 0.37 FL ZN REG TYPE-B	
20	AG561665	12	BOLT 0.50-13NCX 2.00 G8 ZN HHD	
21	AG562050	50	WASHER 0.37 LK SS REG	
22	AG562065	50	NUT 0.37-16NC HEX SS REG	
23	AG562073	50	WASHER 0.37 FL SS REG TYPE-B	
24	AG601411	4	NUT 0.37-16NC HEX ZN REG NY	
25	AG609084	45	BOLT 0.37-16NCX 1.00 SS CRG	

SIGHT GAUGE ASM-FRT,1240GL

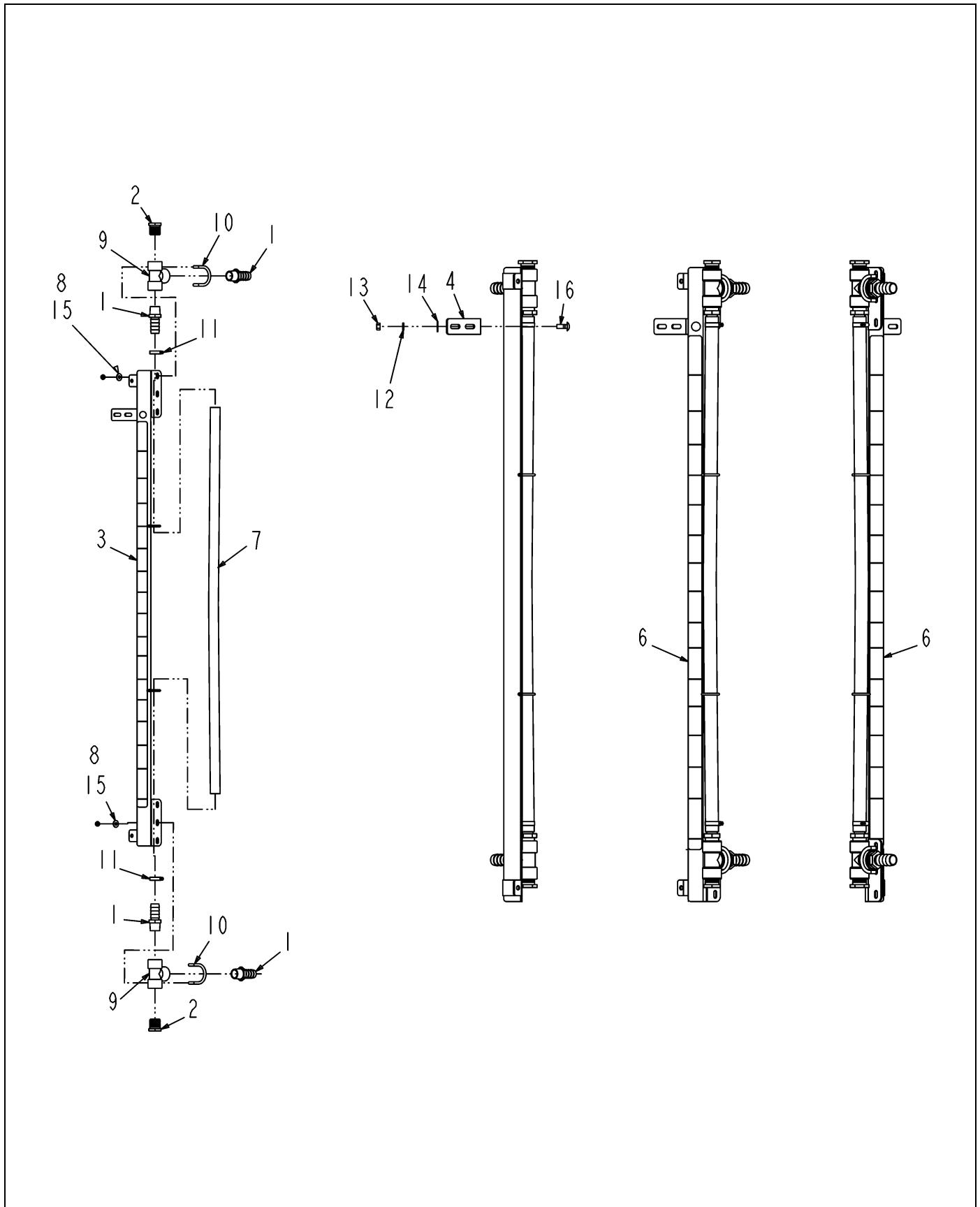


128110-05-M586-.TIF

SIGHT GAUGE ASM-FRT,1240GL

ITEM	PART #	QTY	DESCRIPTION	COMMENTS
1	AG051059	4	BARB-HOSE,1.00MNPTX1.00BARB,PP	
2	AG051135	2	PLUG-PIPE,HEX,1.00NPT,PP	
3	AG128103	1	SIGHT GAUGE WLDMT-1240GL	
4	AG128264	1	BRKT-MTG,HORZ,SIGHT GAUGE,RC	
5	AG129187	AR	PIPE SEALANT-FLEX BLACK	
6	AG134024	2	DECAL-1240 GL	
7	AG513679	-	HOSE-1.00 EVA,TRANSLUCENT [BULK: 4.292 FT]	
8	AG516403	4	NUT 0.31-18NC HEX SS REG NY	
9	AG516405	2	TEE,PIPE,1.00FNPT,PP	
10	AG518292	2	BOLT-U .31-18X2.00X 2.69 RD SS	
11	AG561229	2	CLAMP 0.68-1.25 HOSE 12HS	
12	AG562050	1	WASHER 0.37 LK SS REG	
13	AG562065	1	NUT 0.37-16NC HEX SS REG	
14	AG562073	1	WASHER 0.37 FL SS REG TYPE-B	
15	AG562074	4	WASHER 0.31 FL SS REG TYPE-B	
16	AG609084	1	BOLT 0.37-16NCX 1.00 SS CRG	

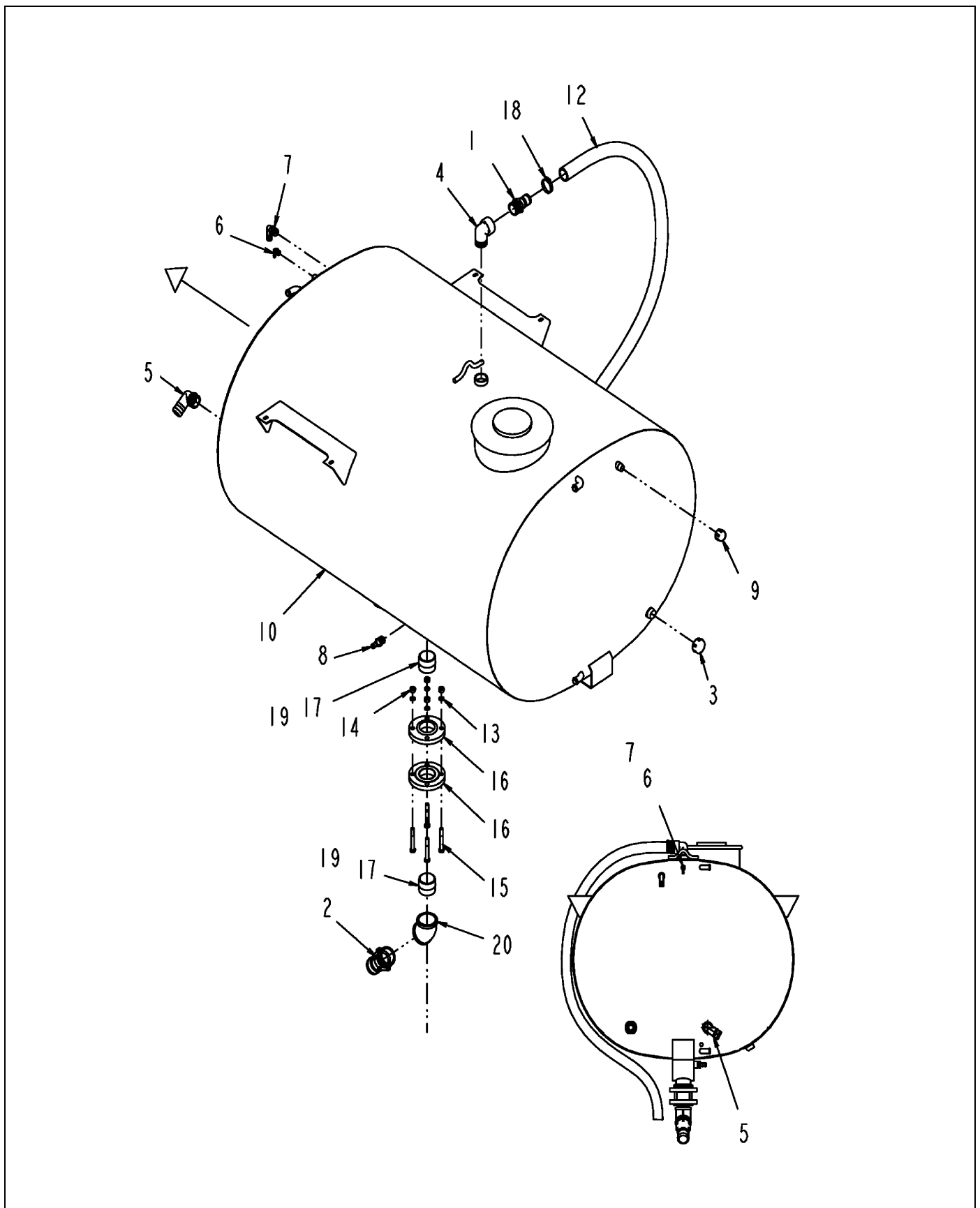
SIGHT GAUGE ASM-REAR, 1240GL



128111-05-M586-.TIF

SIGHT GAUGE ASM-REAR,1240GL

ITEM	PART #	QTY	DESCRIPTION	COMMENTS
1	AG051059	4	BARB-HOSE,1.00MNPTX1.00BARB,PP	
2	AG051135	2	PLUG-PIPE,HEX,1.00NPT,PP	
3	AG128103	1	SIGHT GAUGE WLDMT-1240GL	
4	AG128264	1	BRKT-MTG,HORZ,SIGHT GAUGE,RC	
5	AG129187	AR	PIPE SEALANT-FLEX BLACK	
6	AG134024	2	DECAL-1240 GL	
7	AG513679	-	HOSE-1.00 EVA,TRANSLUCENT [BULK: 4.125 FT]	
8	AG516403	4	NUT 0.31-18NC HEX SS REG NY	
9	AG516405	2	TEE,PIPE,1.00FNPT,PP	
10	AG518292	2	BOLT-U .31-18X2.00X 2.69 RD SS	
11	AG561229	2	CLAMP 0.68-1.25 HOSE 12HS	
12	AG562050	1	WASHER 0.37 LK SS REG	
13	AG562065	1	NUT 0.37-16NC HEX SS REG	
14	AG562073	1	WASHER 0.37 FL SS REG TYPE-B	
15	AG562074	4	WASHER 0.31 FL SS REG TYPE-B	
16	AG609084	1	BOLT 0.37-16NCX 1.00 SS CRG	

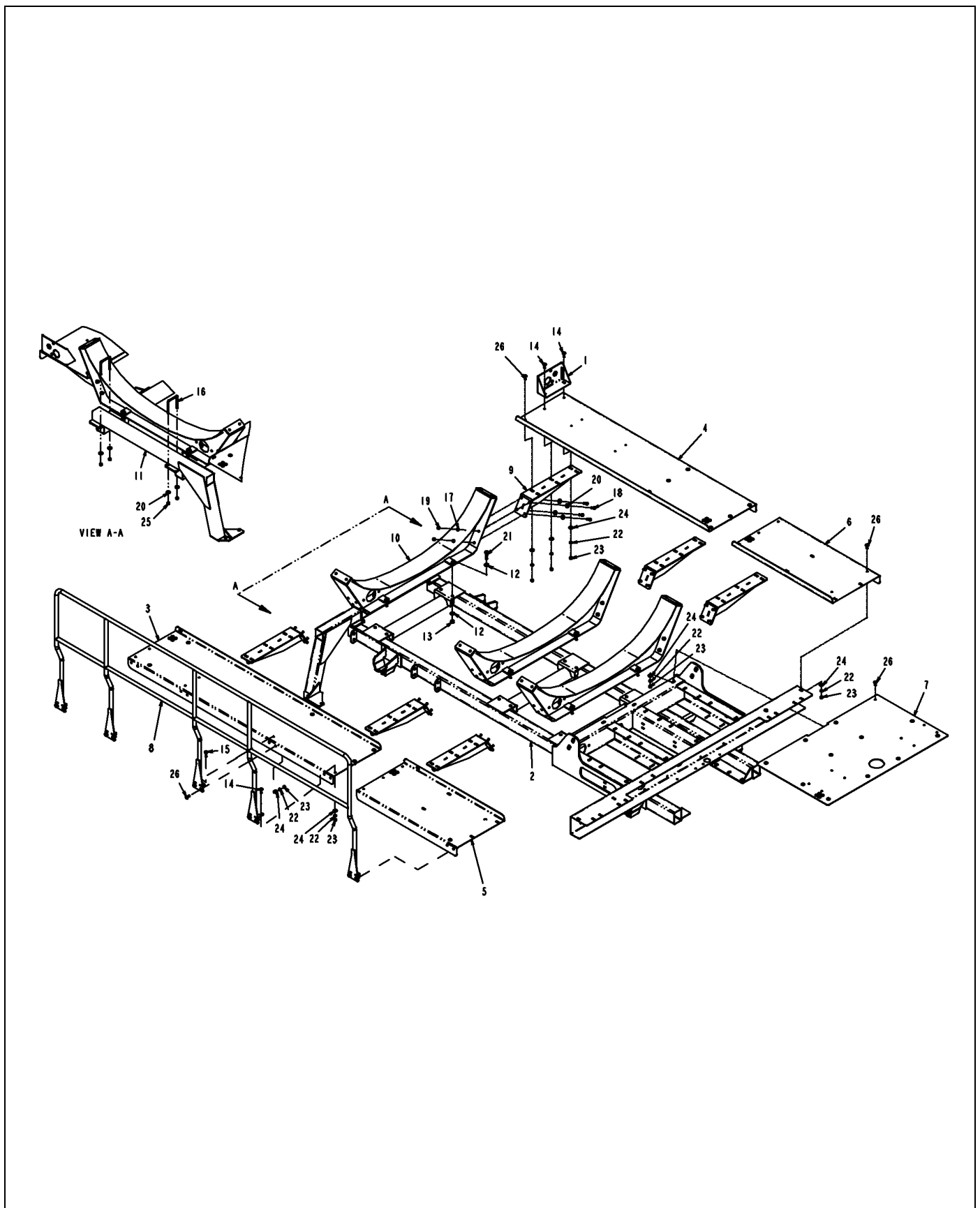


127821-04-N312-.tif

TANK ASM-860GL

ITEM	PART #	QTY	DESCRIPTION	COMMENTS
1	AG000767	1	BARB-HOSE,2.00MNPTX2.00BARB,PP	
2	AG000768	1	BARB-HOSE,3.00MNPTX3.00BARB,PP	
3	AG050269	1	CAP-PIPE,1.50NPT PP	
4	AG050689	1	ELBOW-PIPE,2.00STREET,90D,PP	
5	AG050692	1	ELBOW 90D 2.00NPTX2.00 BARB PP	
6	AG051138	1	ELBOW 90D 0.50NPTX0.38BARB PP	
7	AG051145	1	ELBOW 90D 1.00NPTX1.00 BARB PP	
8	AG051182	1	BARB-HOSE,1.00MNPTX0.75BARB,PP	
9	AG051536	1	CAP-PIPE,1.00NPT PP	
10	AG127818	1	TANK-860GL,SS	
11	AG129187	AR	PIPE SEALANT-FLEX BLACK	
12	AG511722	-	HOSE-2.00,WIRE BRAID,EPDM [BULK: 9.334 FT]	
13	AG550450	4	WASHER 0.62 LK ZN REG	
14	AG550477	4	NUT 0.62-11NC HEX ZN REG	
15	AG552046	4	BOLT 0.62-11NCX 4.50 G5 ZN HHD	
16	AG553026	2	FLANGE COMP 3.0NPTX7.5 4H	
17	AG560931	2	NIPPLE 3.00NPTX 2.62CLS 304SS	
18	AG561233	1	CLAMP-HOSE,1.81X2.75,36HS	
19	AG711522	AR	SEALANT PIPE""BLACKJACK""RS #21	
20	AG711986	1	ELBOW 45D 3.00 IN 304SS	

SADDLE ASM-860GL

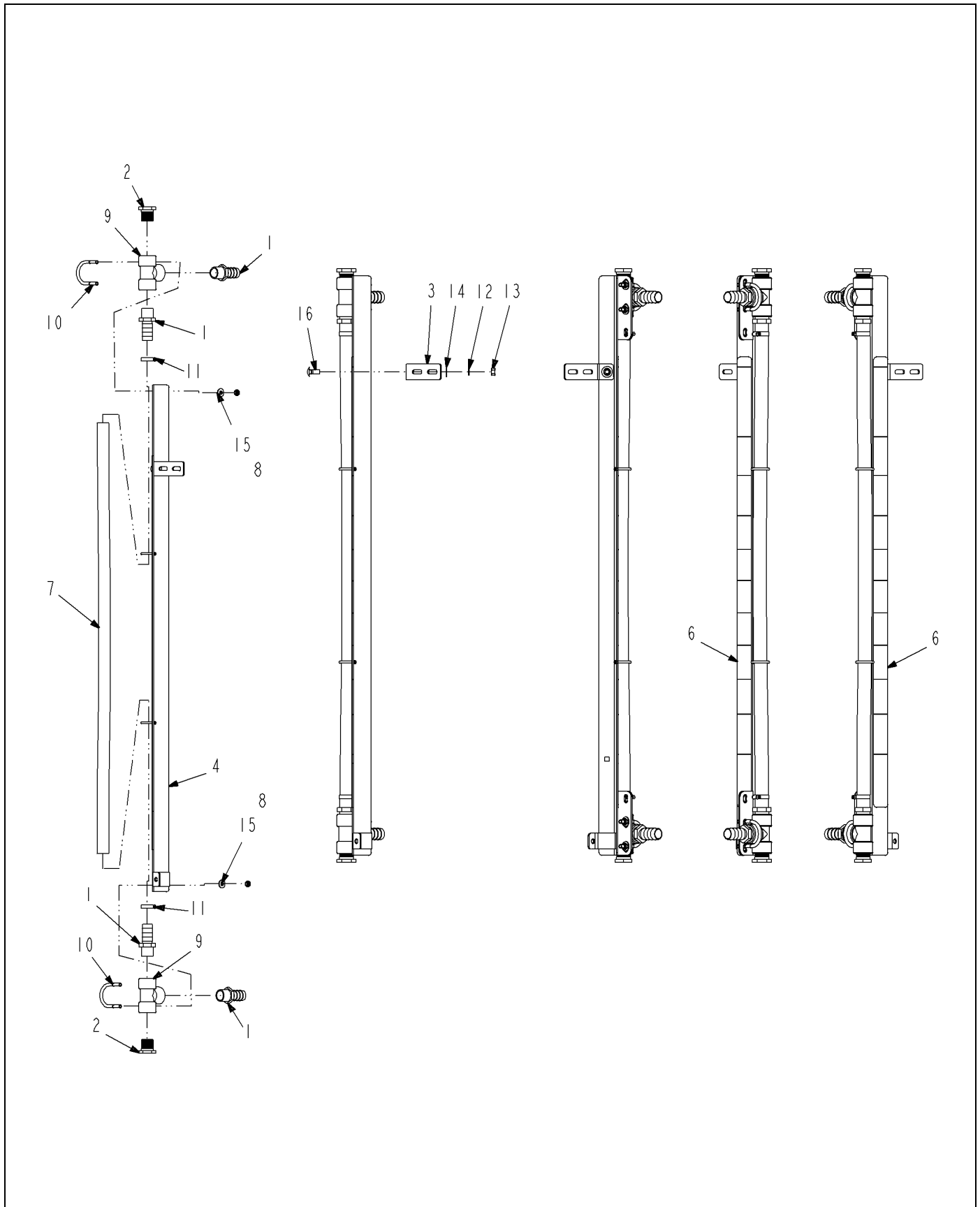


127834-02-M422-.TIF

SADDLE ASM-860GL

ITEM	PART #	QTY	DESCRIPTION	COMMENTS
1	AG122038	1	BRKT-MTG,PWM VALVE,LIQ SYS	
2	AG123805	1	SADDLE WLDMT-LONG TIEDOWN PAT	
3	AG127825	1	CATWALK-LH,FRONT	
4	AG127826	1	CATWALK-RH,FRONT	
5	AG127829	1	CATWALK-LG,REAR,860	
6	AG127830	1	CATWALK-RH,REAR,860	
7	AG127831	1	PLATE-CATWALK,CENTER	
8	AG134004	1	HNDRL WLDMT-LIQ SYS,860GL	
9	AG262418	6	GUSSET WLDMT-CATWALK SUPPORT	
10	AG424381	3	SUPPORT WLDMT-TANK	
11	AG424387	1	SUPPORT WLDMT-PUMP	
12	AG514554	24	WASHER 0.50 FL ZN SAE TYP-A G8	
13	AG520614	12	NUT-.50-13,G8,ZN,HH,C-LK	
14	AG522571	4	BOLT 0.37-16NCX 1.25 304SS CRG	
15	AG522572	1	BOLT-.38-16X1.50,SS,CRG	
16	AG523935	2	BOLT-U,.38-16X3.12X4.00,GRS,ZP	
17	AG550191	24	WASHER 0.37 LK ZN REG	
18	AG550515	24	BOLT 0.37-16NCX 1.25 G5 ZN HHD	
19	AG550825	24	NUT 0.37-16NC HEX ZN REG	
20	AG551007	28	WASHER 0.37 FL ZN REG TYPE-B	
21	AG561665	12	BOLT 0.50-13NCX 2.00 G8 ZN HHD	
22	AG562050	50	WASHER 0.37 LK SS REG	
23	AG562065	50	NUT 0.37-16NC HEX SS REG	
24	AG562073	50	WASHER 0.37 FL SS REG TYPE-B	
25	AG601411	4	NUT 0.37-16NC HEX ZN REG NY	
26	AG609084	45	BOLT 0.37-16NCX 1.00 SS CRG	

SIGHT GAUGE ASM-FRT,860GL

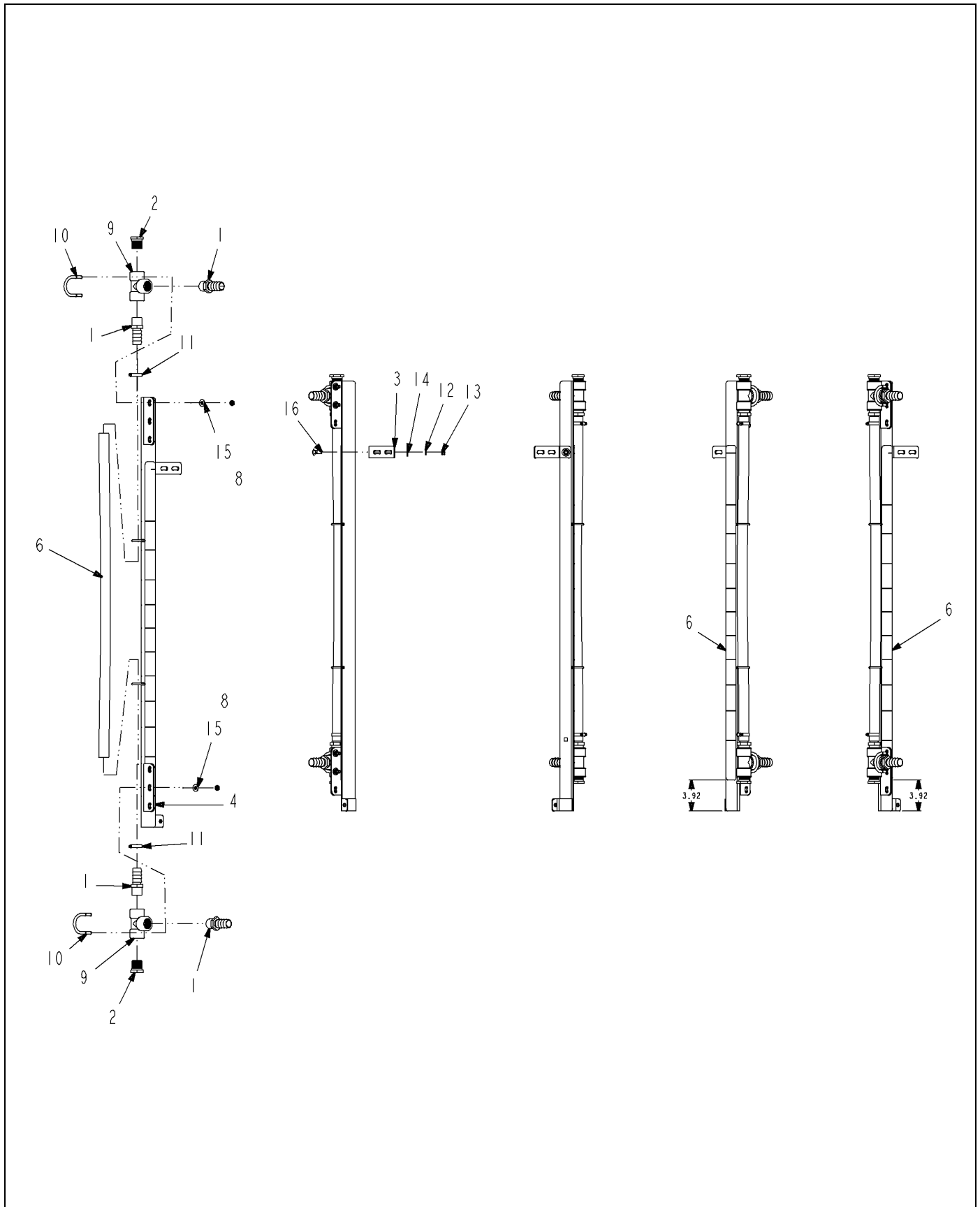


128490-03-M422-.TIF

SIGHT GAUGE ASM-FRT,860GL

ITEM	PART #	QTY	DESCRIPTION	COMMENTS
1	AG051059	4	BARB-HOSE,1.00MNPTX1.00BARB,PP	
2	AG051135	2	PLUG-PIPE,HEX,1.00NPT,PP	
3	AG128264	1	BRKT-MTG,HORZ,SIGHT GAUGE,RC	
4	AG128495	1	SIGHT GAUGE WLDMT,FRT,860GL	
5	AG129187	AR	PIPE SEALANT-FLEX BLACK	
6	AG134026	2	DECAL-865 GL	
7	AG513679	-	HOSE-1.00 EVA,TRANSLUCENT [BULK: 3.834 FT]	
8	AG516403	4	NUT 0.31-18NC HEX SS REG NY	
9	AG516405	2	TEE,PIPE,1.00FNPT,PP	
10	AG518292	2	BOLT-U .31-18X2.00X 2.69 RD SS	
11	AG561229	2	CLAMP 0.68-1.25 HOSE 12HS	
12	AG562050	1	WASHER 0.37 LK SS REG	
13	AG562065	1	NUT 0.37-16NC HEX SS REG	
14	AG562073	1	WASHER 0.37 FL SS REG TYPE-B	
15	AG562074	4	WASHER 0.31 FL SS REG TYPE-B	
16	AG609084	1	BOLT 0.37-16NCX 1.00 SS CRG	

SIGHT GAUGE ASM-REAR,860GL

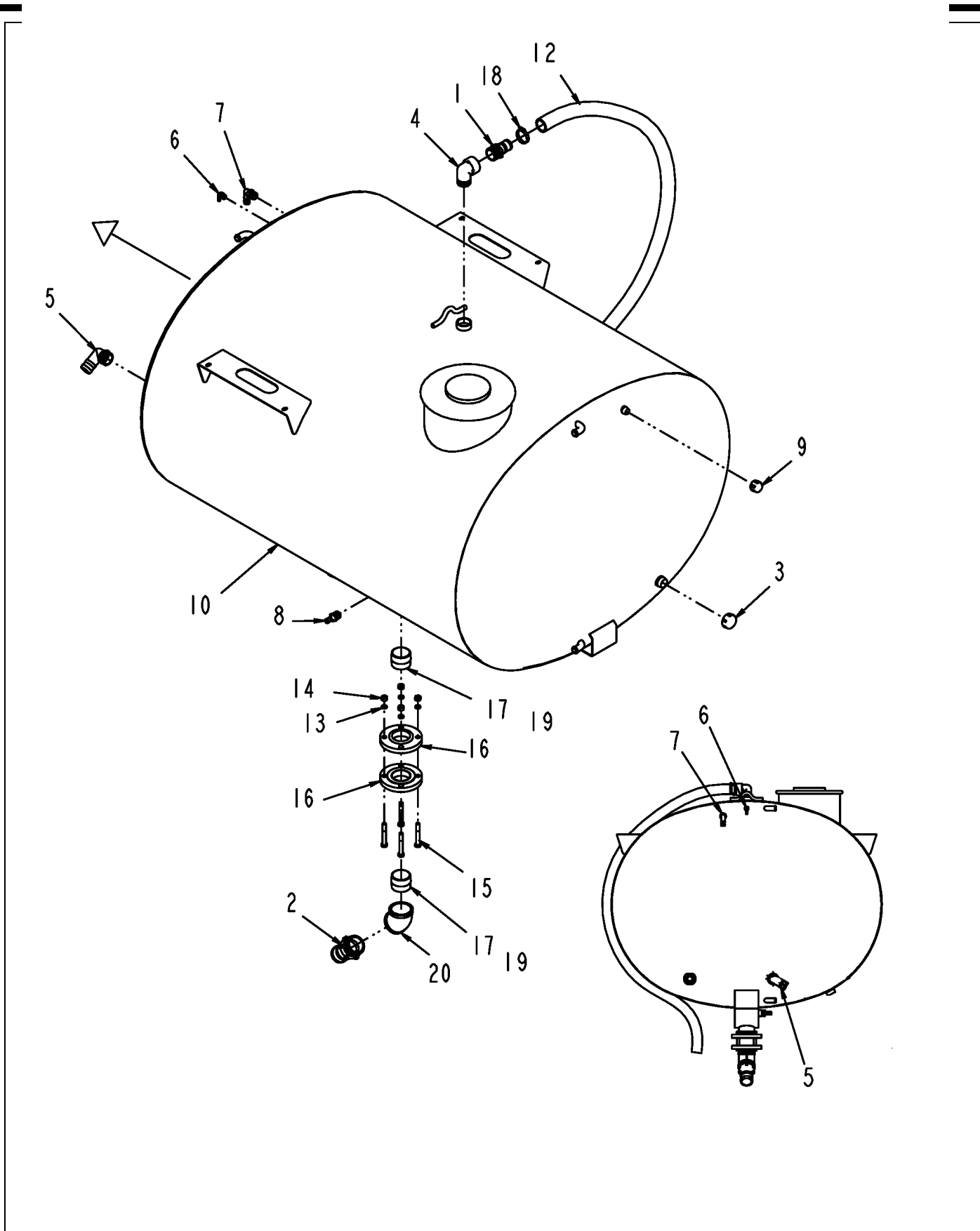


128491-04-M452-.TIF

SIGHT GAUGE ASM-REAR,860GL

ITEM	PART #	QTY	DESCRIPTION	COMMENTS
1	AG051059	4	BARB-HOSE,1.00MNPTX1.00BARB,PP	
2	AG051135	2	PLUG-PIPE,HEX,1.00NPT,PP	
3	AG128264	1	BRKT-MTG,HORZ,SIGHT GAUGE,RC	
4	AG128510	1	SIGHT GAUGE WLDMT,REAR,860GL	
5	AG129187	AR	PIPE SEALANT-FLEX BLACK	
6	AG134026	2	DECAL-865 GL	
7	AG513679	-	HOSE-1.00 EVA,TRANSLUCENT [BULK: 3.417 FT]	
8	AG516403	4	NUT 0.31-18NC HEX SS REG NY	
9	AG516405	2	TEE,PIPE,1.00FNPT,PP	
10	AG518292	2	BOLT-U .31-18X2.00X 2.69 RD SS	
11	AG561229	2	CLAMP 0.68-1.25 HOSE 12HS	
12	AG562050	1	WASHER 0.37 LK SS REG	
13	AG562065	1	NUT 0.37-16NC HEX SS REG	
14	AG562073	1	WASHER 0.37 FL SS REG TYPE-B	
15	AG562074	4	WASHER 0.31 FL SS REG TYPE-B	
16	AG609084	1	BOLT 0.37-16NCX 1.00 SS CRG	

TANK ASM-1080GL

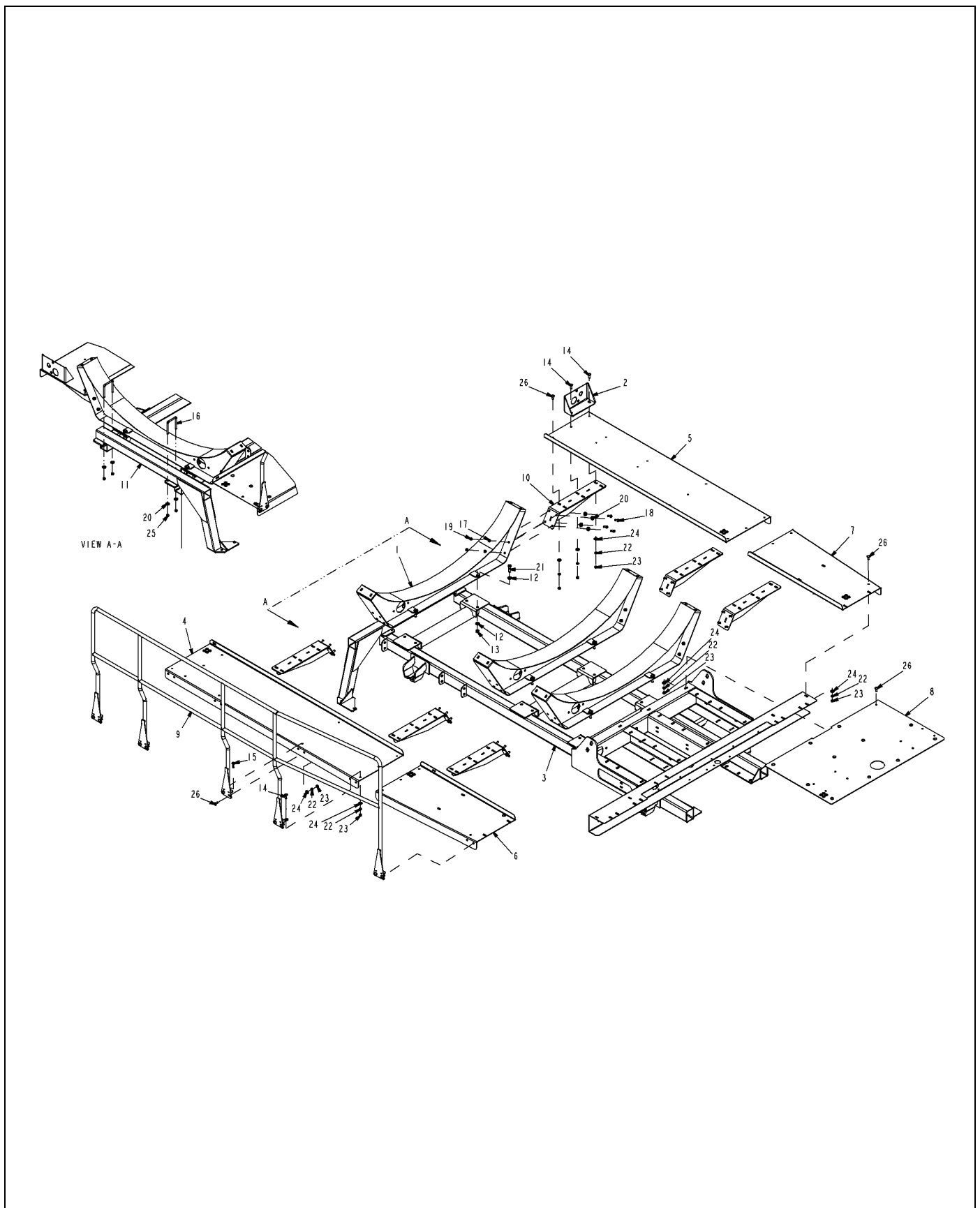


127820-04-N312-.TIF

TANK ASM-1080GL

ITEM	PART #	QTY	DESCRIPTION	COMMENTS
1	AG000767	1	BARB-HOSE,2.00MNPTX2.00BARB,PP	
2	AG000768	1	BARB-HOSE,3.00MNPTX3.00BARB,PP	
3	AG050269	1	CAP-PIPE,1.50NPT PP	
4	AG050689	1	ELBOW-PIPE,2.00STREET,90D,PP	
5	AG050692	1	ELBOW 90D 2.00NPTX2.00 BARB PP	
6	AG051138	1	ELBOW 90D 0.50NPTX0.38BARB PP	
7	AG051145	1	ELBOW 90D 1.00NPTX1.00 BARB PP	
8	AG051182	1	BARB-HOSE,1.00MNPTX0.75BARB,PP	
9	AG051536	1	CAP-PIPE,1.00NPT PP	
10	AG127817	1	TANK-1080GL,SS	
11	AG129187	AR	PIPE SEALANT-FLEX BLACK	
12	AG511722	-	HOSE-2.00,WIRE BRAID,EPDM [BULK: 9.750 FT]	
13	AG550450	4	WASHER 0.62 LK ZN REG	
14	AG550477	4	NUT 0.62-11NC HEX ZN REG	
15	AG552046	4	BOLT 0.62-11NCX 4.50 G5 ZN HHD	
16	AG553026	2	FLANGE COMP 3.0NPTX7.5 4H	
17	AG560931	2	NIPPLE 3.00NPTX 2.62CLS 304SS	
18	AG561233	1	CLAMP-HOSE,1.81X2.75,36HS	
19	AG711522	AR	SEALANT PIPE""BLACKJACK""RS #21	
20	AG711986	1	ELBOW 45D 3.00 IN 304SS	

SADDLE ASM-1080GL



127833-02-M422-.TIF

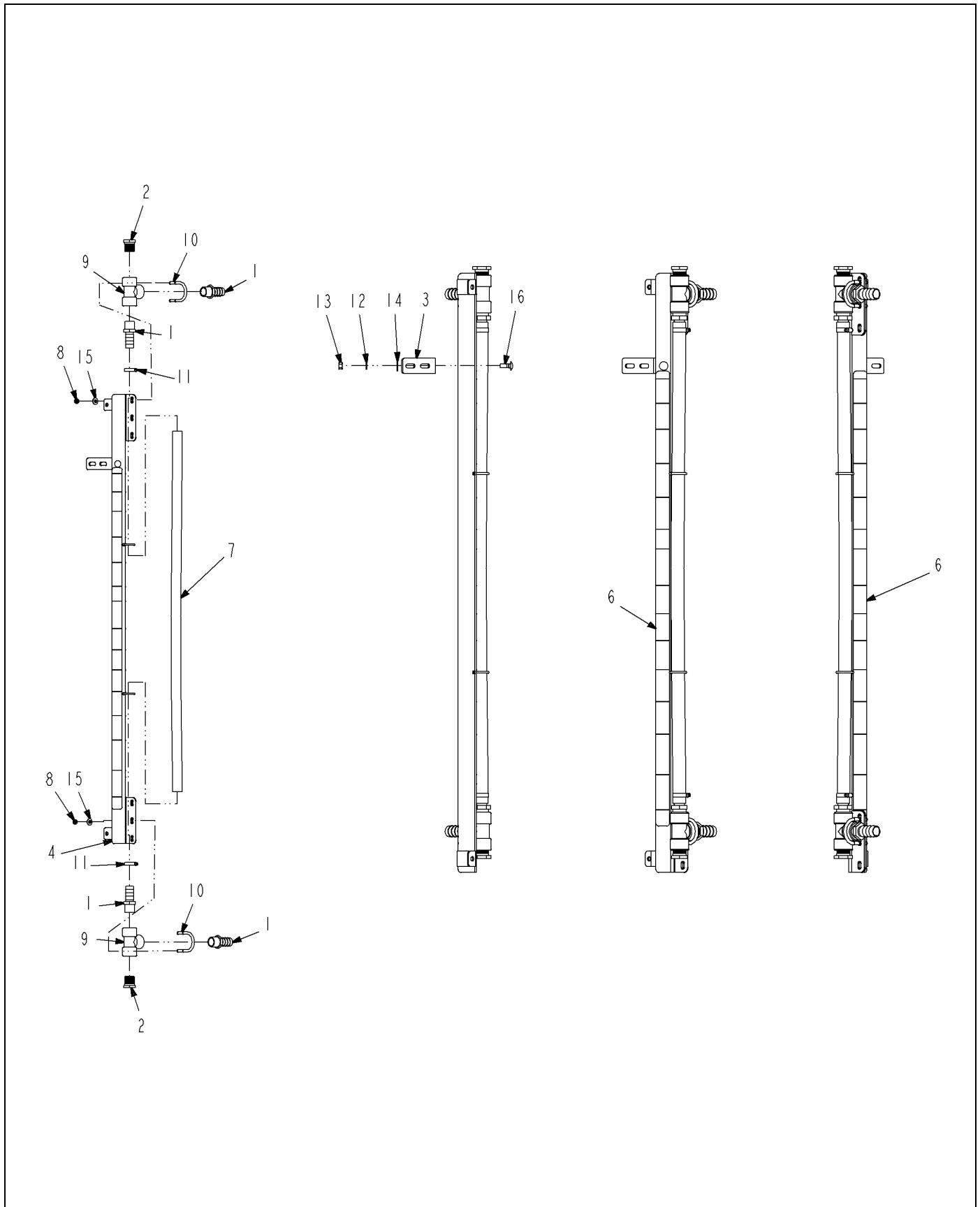
SADDLE ASM-1080GL

ITEM	PART #	QTY	DESCRIPTION	COMMENTS
1	AG121525	3	SUPPORT WLDMT-TANK,1080GL	
2	AG122038	1	BRKT-MTG,PWM VALVE,LIQ SYS	
3	AG123805	1	SADDLE WLDMT-LONG TIEDOWN PAT	
4	AG127825	1	CATWALK-LH,FRONT	
5	AG127826	1	CATWALK-RH,FRONT	
6	AG127827	1	CATWALK-LH,REAR,1080/1240	
7	AG127828	1	CATWALK-RH,REAR,1080/1240	
8	AG127831	1	PLATE-CATWALK,CENTER	
9	AG128011	1	HNDRL WLDMT-LIQ SYS,1080/1240	
10	AG262418	6	GUSSET WLDMT-CATWALK SUPPORT	
11	AG424387	1	SUPPORT WLDMT-PUMP	
12	AG514554	24	WASHER 0.50 FL ZN SAE TYP-A G8	
13	AG520614	12	NUT-.50-13,G8,ZN,HH,C-LK	
14	AG522571	4	BOLT 0.37-16NCX 1.25 304SS CRG	
15	AG522572	1	BOLT-.38-16X1.50,SS,CRG	
16	AG523935	2	BOLT-U,.38-16X3.12X4.00,GRS,ZP	
17	AG550191	24	WASHER 0.37 LK ZN REG	
18	AG550515	24	BOLT 0.37-16NCX 1.25 G5 ZN HHD	
19	AG550825	24	NUT 0.37-16NC HEX ZN REG	
20	AG551007	28	WASHER 0.37 FL ZN REG TYPE-B	
21	AG561665	12	BOLT 0.50-13NCX 2.00 G8 ZN HHD	
22	AG562050	50	WASHER 0.37 LK SS REG	
23	AG562065	50	NUT 0.37-16NC HEX SS REG	
24	AG562073	50	WASHER 0.37 FL SS REG TYPE-B	
25	AG601411	4	NUT 0.37-16NC HEX ZN REG NY	
26	AG609084	45	BOLT 0.37-16NCX 1.00 SS CRG	

SIGHT GAUGE ASM-FRT,1080GL

ITEM	PART #	QTY	DESCRIPTION	COMMENTS
1	AG051059	4	BARB-HOSE,1.00MNPTX1.00BARB,PP	
2	AG051135	2	PLUG-PIPE,HEX,1.00NPT,PP	
3	AG128264	1	BRKT-MTG,HORZ,SIGHT GAUGE,RC	
4	AG128268	1	SIGHT GAUGE WLDMT-1080GL	
5	AG129187	AR	PIPE SEALANT-FLEX BLACK	
6	AG134025	2	DECAL-1080 GL	
7	AG513679	-	HOSE-1.00 EVA,TRANSLUCENT [BULK: 4.084 FT]	
8	AG516403	4	NUT 0.31-18NC HEX SS REG NY	
9	AG516405	2	TEE,PIPE,1.00FNPT,PP	
10	AG518292	2	BOLT-U .31-18X2.00X 2.69 RD SS	
11	AG561229	2	CLAMP 0.68-1.25 HOSE 12HS	
12	AG562050	1	WASHER 0.37 LK SS REG	
13	AG562065	1	NUT 0.37-16NC HEX SS REG	
14	AG562073	1	WASHER 0.37 FL SS REG TYPE-B	
15	AG562074	4	WASHER 0.31 FL SS REG TYPE-B	
16	AG609084	1	BOLT 0.37-16NCX 1.00 SS CRG	

SIGHT GAUGE ASM-REAR, 1080GL

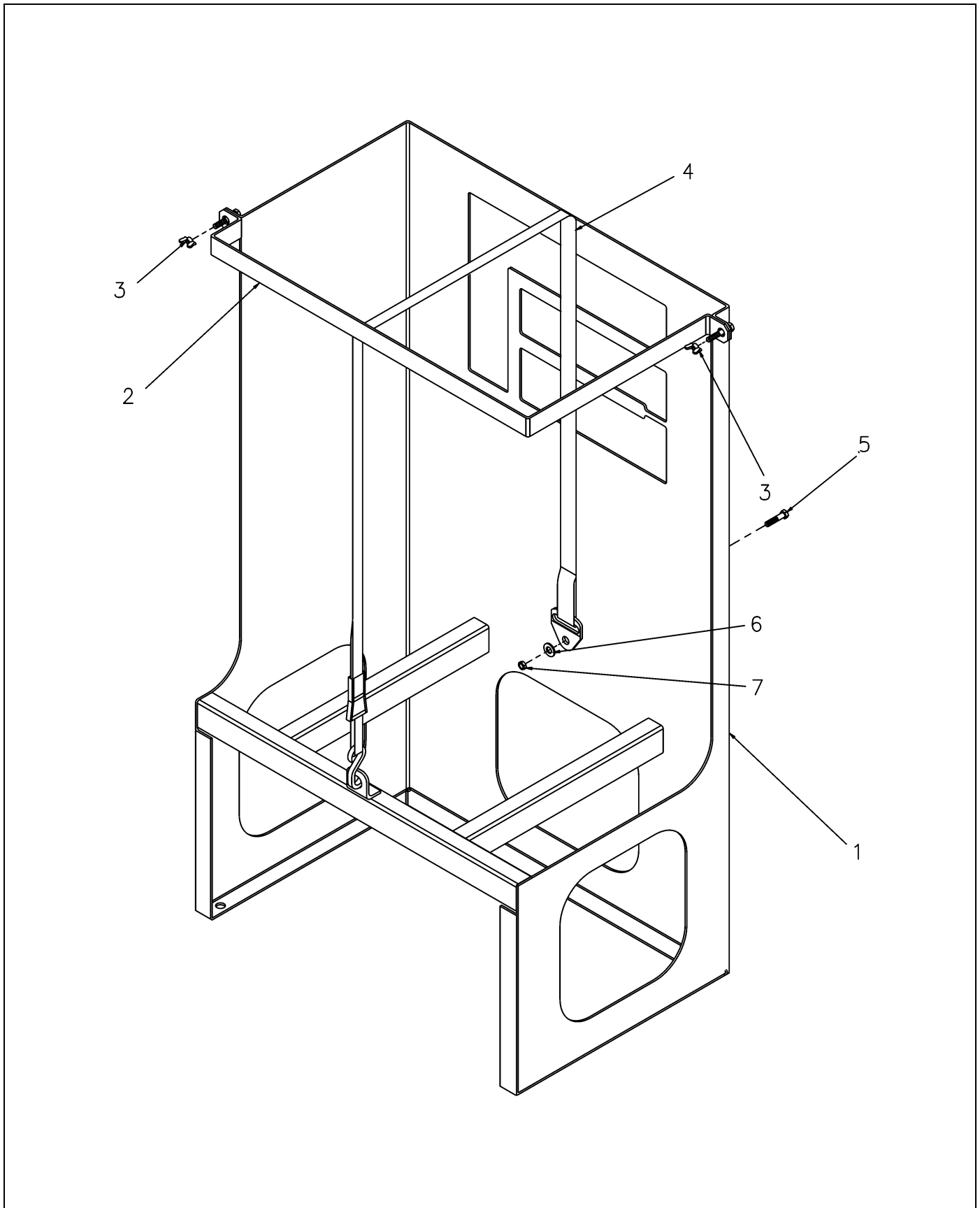


128270-04-M452-.TIF

SIGHT GAUGE ASM-REAR,1080GL

ITEM	PART #	QTY	DESCRIPTION	COMMENTS
1	AG051059	4	BARB-HOSE,1.00MNPTX1.00BARB,PP	
2	AG051135	2	PLUG-PIPE,HEX,1.00NPT,PP	
3	AG128264	1	BRKT-MTG,HORZ,SIGHT GAUGE,RC	
4	AG128268	1	SIGHT GAUGE WLDMT-1080GL	
5	AG129187	AR	PIPE SEALANT-FLEX BLACK	
6	AG134025	2	DECAL-1080 GL	
7	AG513679	-	HOSE-1.00 EVA,TRANSLUCENT [BULK: 3.917 FT]	
8	AG516403	4	NUT 0.31-18NC HEX SS REG NY	
9	AG516405	2	TEE,PIPE,1.00FNPT,PP	
10	AG518292	2	BOLT-U .31-18X2.00X 2.69 RD SS	
11	AG561229	2	CLAMP 0.68-1.25 HOSE 12HS	
12	AG562050	1	WASHER 0.37 LK SS REG	
13	AG562065	1	NUT 0.37-16NC HEX SS REG	
14	AG562073	1	WASHER 0.37 FL SS REG TYPE-B	
15	AG562074	4	WASHER 0.31 FL SS REG TYPE-B	
16	AG609084	1	BOLT 0.37-16NCX 1.00 SS CRG	

SUPPORT ASM-TANK,PLASTIC

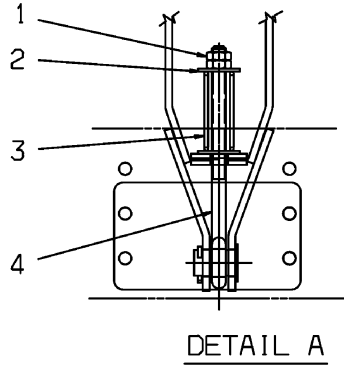
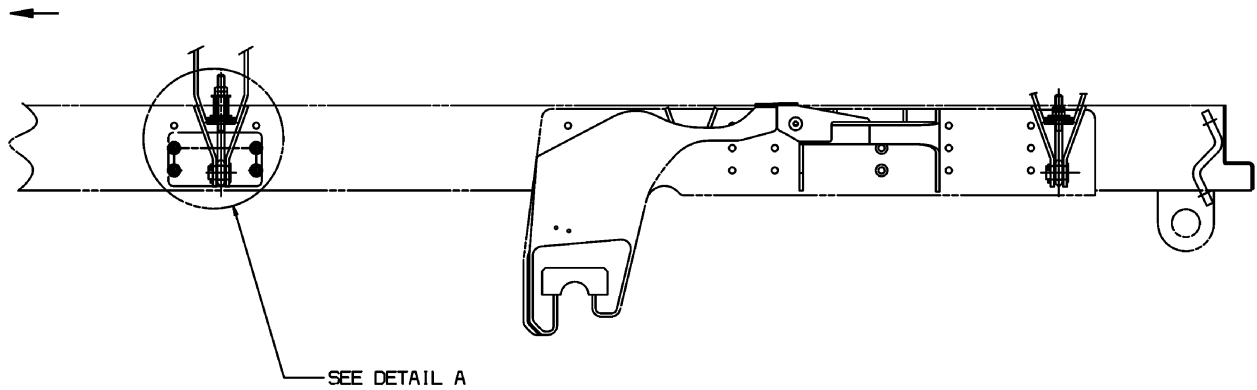


502347-A.TIF

SUPPORT ASM-TANK,PLASTIC

ITEM	PART #	QTY	DESCRIPTION	COMMENTS
1	AG502342	1	SUPPORT WLDMT-TANK,PLASTIC	
2	AG324064	1	STRAP-TANK	
3	AG562385	2	NUT-.31-18,WING,SS,TYPE A,LT	
4	AG521412	1	STRAP-TIE DOWN,TANK,102.00 LG	
5	AG562120	1	BOLT 0.37-16NCX 0.75 S.S. HHD	
6	AG562073	1	WASHER 0.37 FL SS REG TYPE-B	
7	AG562123	1	NUT 0.37-16NC HEX SS C-LK	

TIEDOWN INSTL-LIQ SYS,ROGATOR



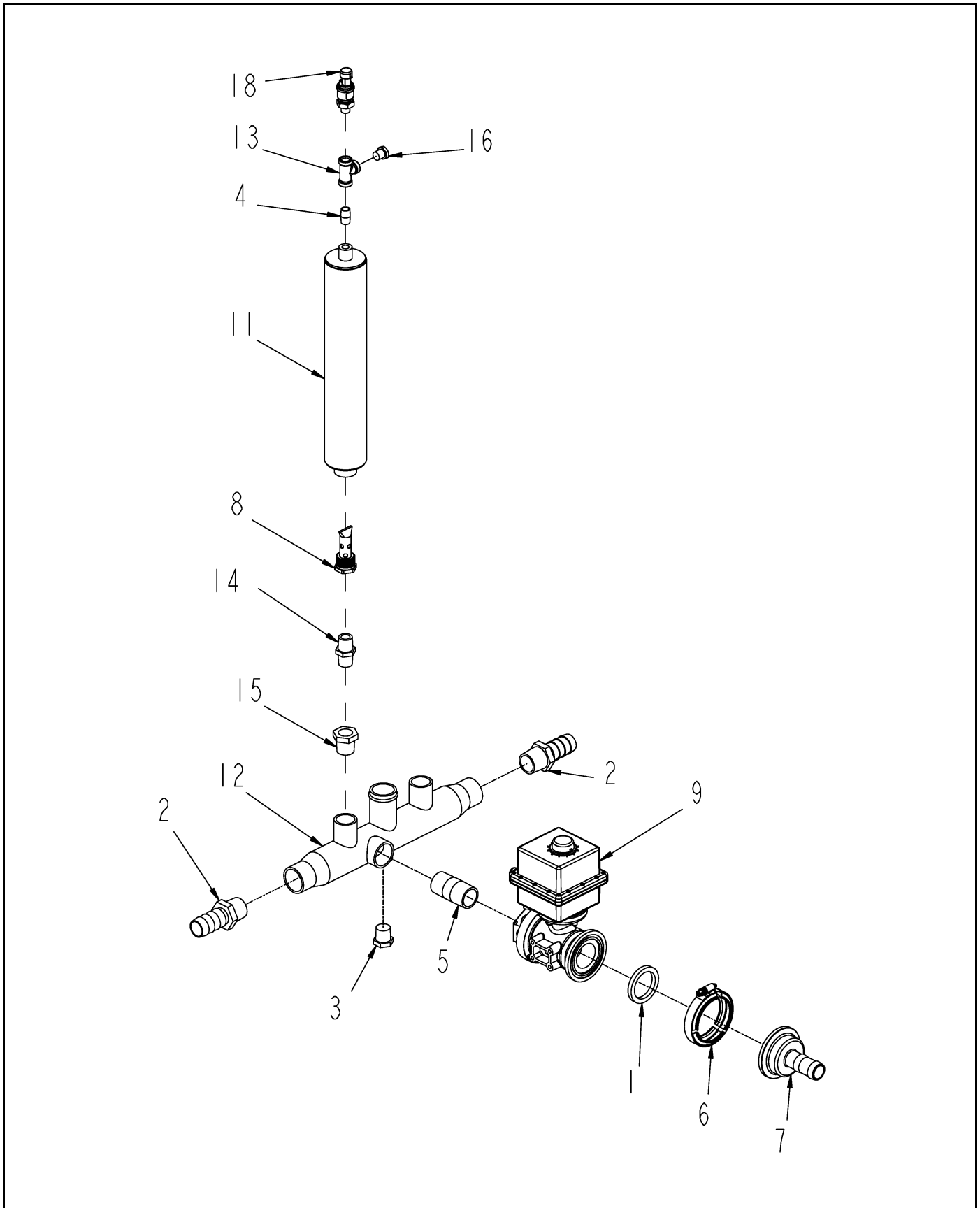
425277-A.TIF

TIEDOWN INSTL-LIQ SYS,ROGATOR

ITEM	PART #	QTY	DESCRIPTION	COMMENTS
1	AG515210	4	NUT 0.75-10NC HEX GALV JAM OSZ	
2	AG561262	4	WASHER 0.87 FL ZN REG TYPE-B	
3	AG523417	2	SPRING-COMP,1.75DX.283WDX5.00L	
4	AG216853	2	BOLT EYE .75-10NC-2AX12	

MANF ASM-BOOM,W/BALL VLV,STD	2-1
MANIFOLD ASM-Y,1.00FP FLG,ELEC	2-2
MANF ASM-BOOM,W/BALL VLV,HV	2-3
SYS INSTL-PLMB,120X7,ELEC VLV	2-4
SYS INSTL-PLMB,1.50,100X5,RTRY	2-5
MANF INSTL-BM,HV Y,W/BALL VLV	2-6
MANF ASM-BM,HV Y,W/BALL VLV	2-7
VALVE-BTFL,3.00	2-8
FLWMTR INSTL-3.00,41 PPG	2-9
FLWMTR ASM-3.00 41PPG	2-10
FLMTR ASM-3.00,41 PULSE/GL,CI	2-11
FLOWMETER INSTL-1.50,RFM60P	2-12
FLWMTR ASM-RFM60P,2.00FP FLG	2-13
KIT ASM-LOW RATE,2.00FP FLG	2-14
VALVE-2IN,FULL PORT	2-15
VALVE ASM-REGULATING, PRESSURE	2-16
PUMP-CNTFGL,2.00X1.50,9306CHM5	2-17
VALVE-ELEC,REG,2.0FLGX1.0FNPT	2-18
EDUCTOR ASM-CHEMICAL,PE	2-19
SYS INSTL-BOOM CLEANOUT	2-20
VALVE-BALL,2.00FP FLG,ELEC	2-21
SYS INSTL-W/O BOOM CLEANOUT	2-22
VALVE 1.00 NPT BALL UNION POLY	2-23
VLV BALL 3.00 POLY FF	2-24
TEE ASM-MANG,220X100,RLF VALVE	2-25
VALVE ASM-CHECK,2.00 FP FLG	2-26
FLOWMETER INSTL-2.00,8/10/12X4	2-27
FLOWMETER-2.00,140PPG,12V	2-28
VALVE-BALL,1.50NPT,T HANDLE	2-29
EDUCTOR ASM-CHEMICAL,SS	2-30
VALVE-2.0 FLG,T HANDLE,PP	2-31
FLWMTR-2.00SP FLG,RFM60P,12V	2-32
VALVE-2.0FLGX1.25NPT,T HANDLE	2-33

MANF ASM-BOOM,W/BALL VLV,STD

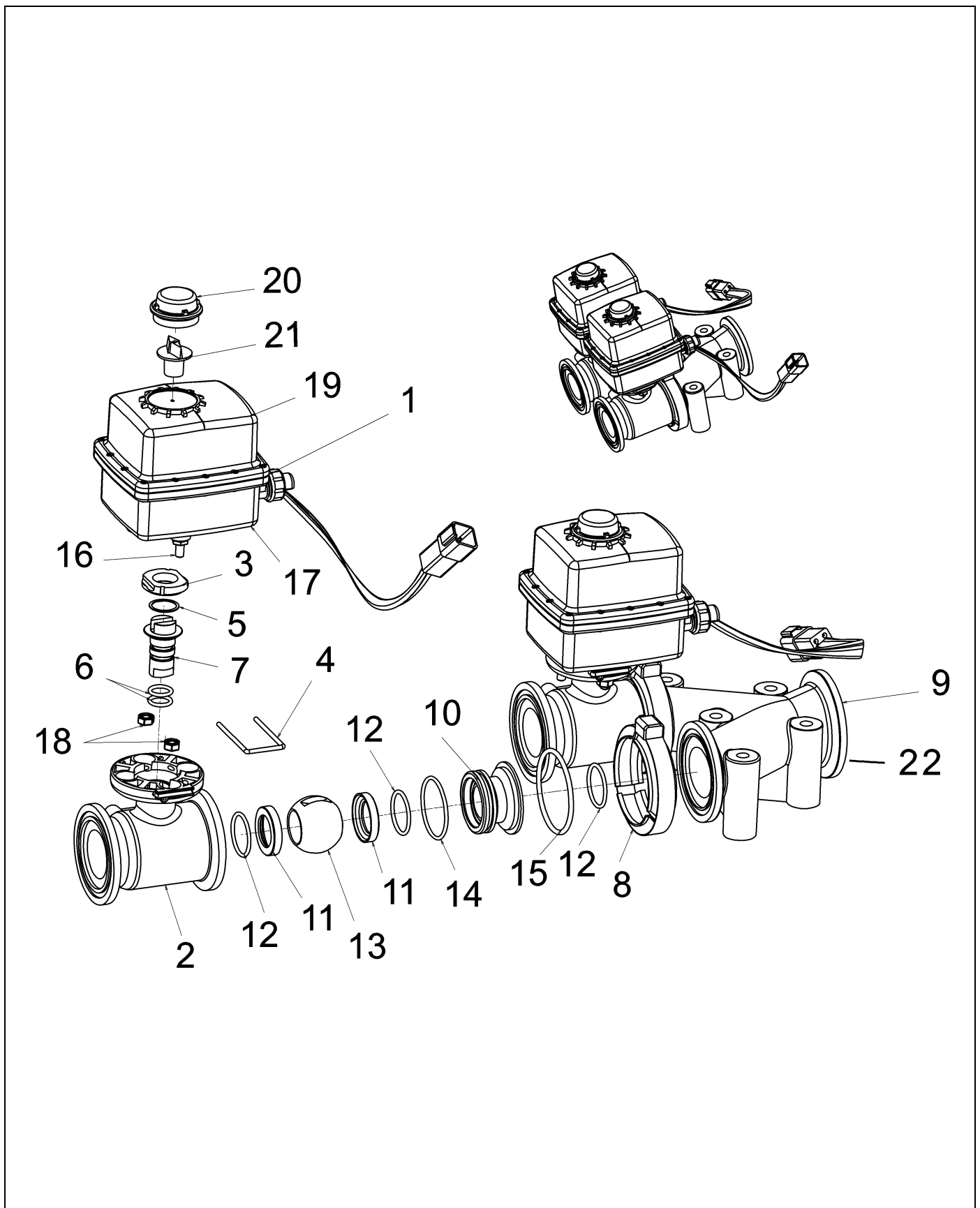


424522-05-R094-.TIF

MANF ASM-BOOM,W/BALL VLV,STD

ITEM	PART #	QTY	DESCRIPTION	COMMENTS
1	AG000772	1	GASKET 1.50 EPDM	
2	AG051059	2	BARB-HOSE,1.00MNPTX1.00BARB,PP	
3	AG051133	1	PLUG-PIPE,HEX,0.50NPT,PP	
4	AG051740	1	NIPPLE 0.25NPTX 0.87CLS 304SS	
5	AG051904	1	NIPPLE 1.00NPTX 2.50 304SS	
6	AG056785	1	CLAMP 2.00 FLANGE	
7	AG057593	1	CONNECTOR 2.00X1.00HOSE	
8	AG106152	1	WLDMT TUBE DIFFUSER	
9	AG121883	1	VALVE-BALL,1.00FP FLGXNPT,ELEC	SEE PAGE 4-3
10	AG129187	AR	PIPE SEALANT-FLEX BLACK	
11	AG311914	1	WLDMT ACCUMULATOR	
12	AG407963	1	MANIFOLD WLDMT	
13	AG517855	1	TEE 0.25 NPT FEMALE SS	
14	AG553492	1	NIPPLE .50NPT X 1.12CLS WR ST	
15	AG556424	1	BUSHG 0.75X 0.50NPT HX REDG PL	
16	AG710638	1	PLUG-PIPE,HEX,0.25NPT,304SS	
17	AG711522	AR	SEALANT PIPE""BLACKJACK""RS #21	
18	517405D1	1	TRANSDUCER-PRES,150 PSI, (MV)	

MANIFOLD ASM-Y,1.00FP FLG,ELEC

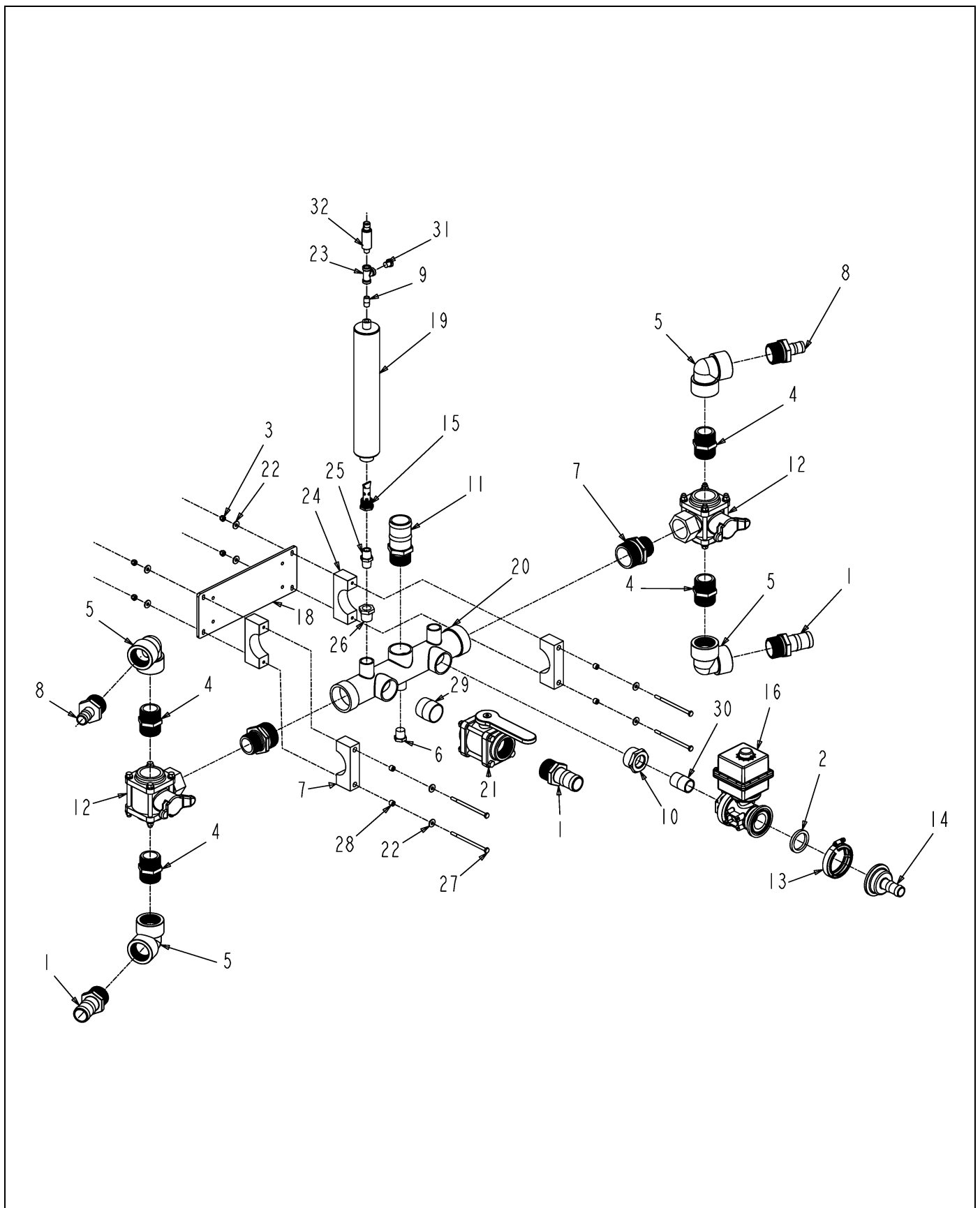


121882-A.TIF

MANIFOLD ASM-Y,1.00FP FLG,ELEC

ITEM	PART #	QTY	DESCRIPTION	COMMENTS
REF	AG131748	-	MOTOR, GEAR ASM	
REF	AG131739	-	BOARD, CIRCUIT W/CABLE	
1	AG121929	2	ACTUATOR-000-60-M-9	SEE PAGE 6-3
2	AG121924	2	BODY-VALVE,FLG OUTLET,1.00,2W	
3	AG131731	2	RETAINER, STEM	
4	AG726981	2	PIN / HAIR	
5	AG131732	2	WASHER, THRUST	
6	AG131734	4	O-RING, STEM	
7	AG131733	2	STEM, SS	
8	AG121922	2	CLAMP-V BAND,QX4	
9	AG121930	1	MANIFOLD-Y,2.00FPX2.00SP	
10	AG131738	2	FLANGE	
11	AG131736	4	SEAT, PTFE	
12	AG131735	6	O-RING, SEAT	
13	AG726982	2	BALL / 2-WAY	
14	AG131737	2	O-RING	
15	WR35020	2	ORING-SEAL,VALVE,QC3	
16	AG131747	4	STUD, MOUNTING	
17	AG131746	2	CASE, BOTTOM	
18	AG121926	4	NUT-KEP"S,50-20NC	
19	AG131745	2	DOME, LID	
20	AG131743	2	DOME, CLEAR	
21	AG131744	2	FLAG	
22	AG000773	1	GASKET 2.00 EPDM	

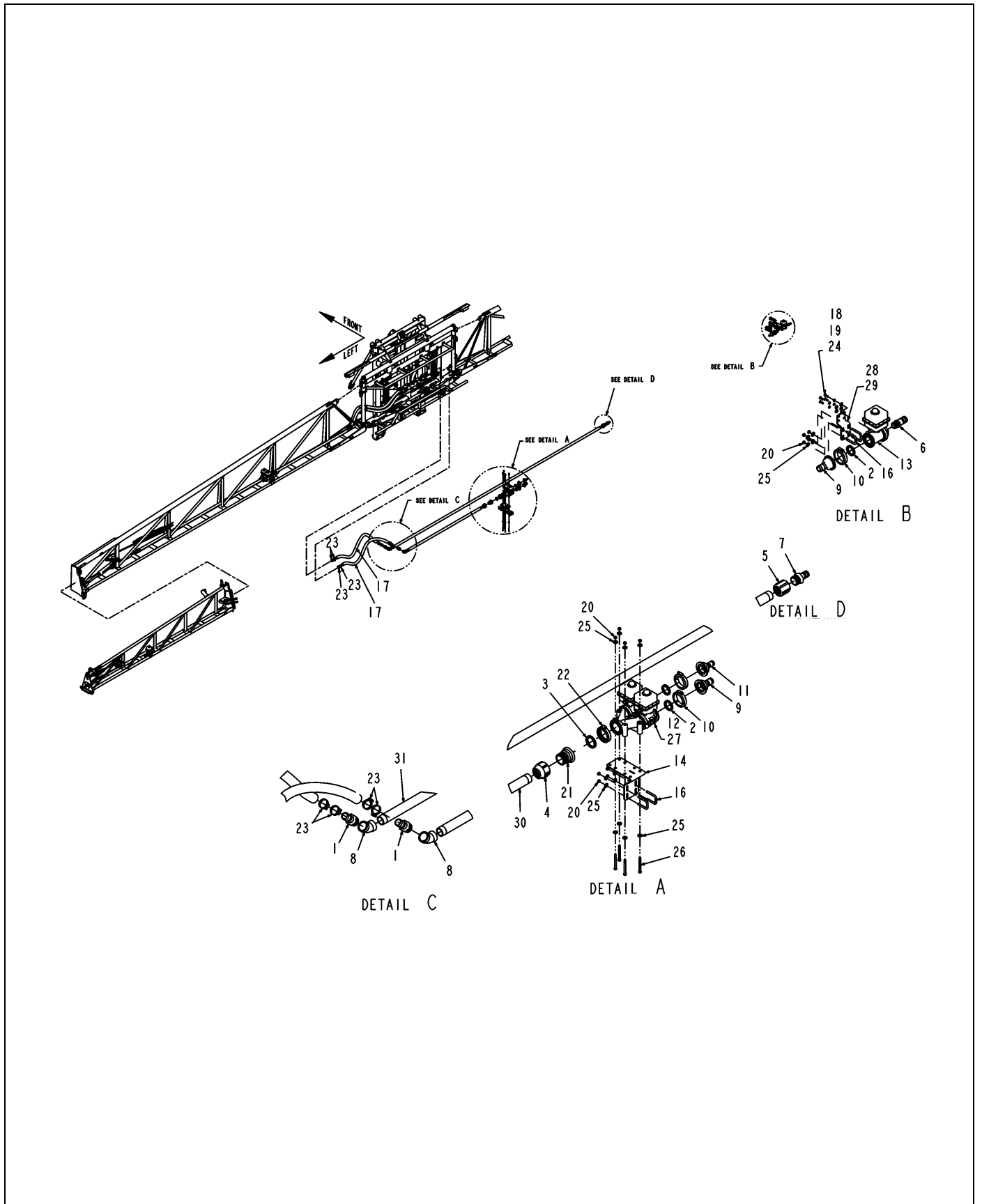
MANF ASM-BOOM,W/BALL VLV,HV



424524-05-R100-.TIF

MANF ASM-BOOM,W/BALL VLV,HV

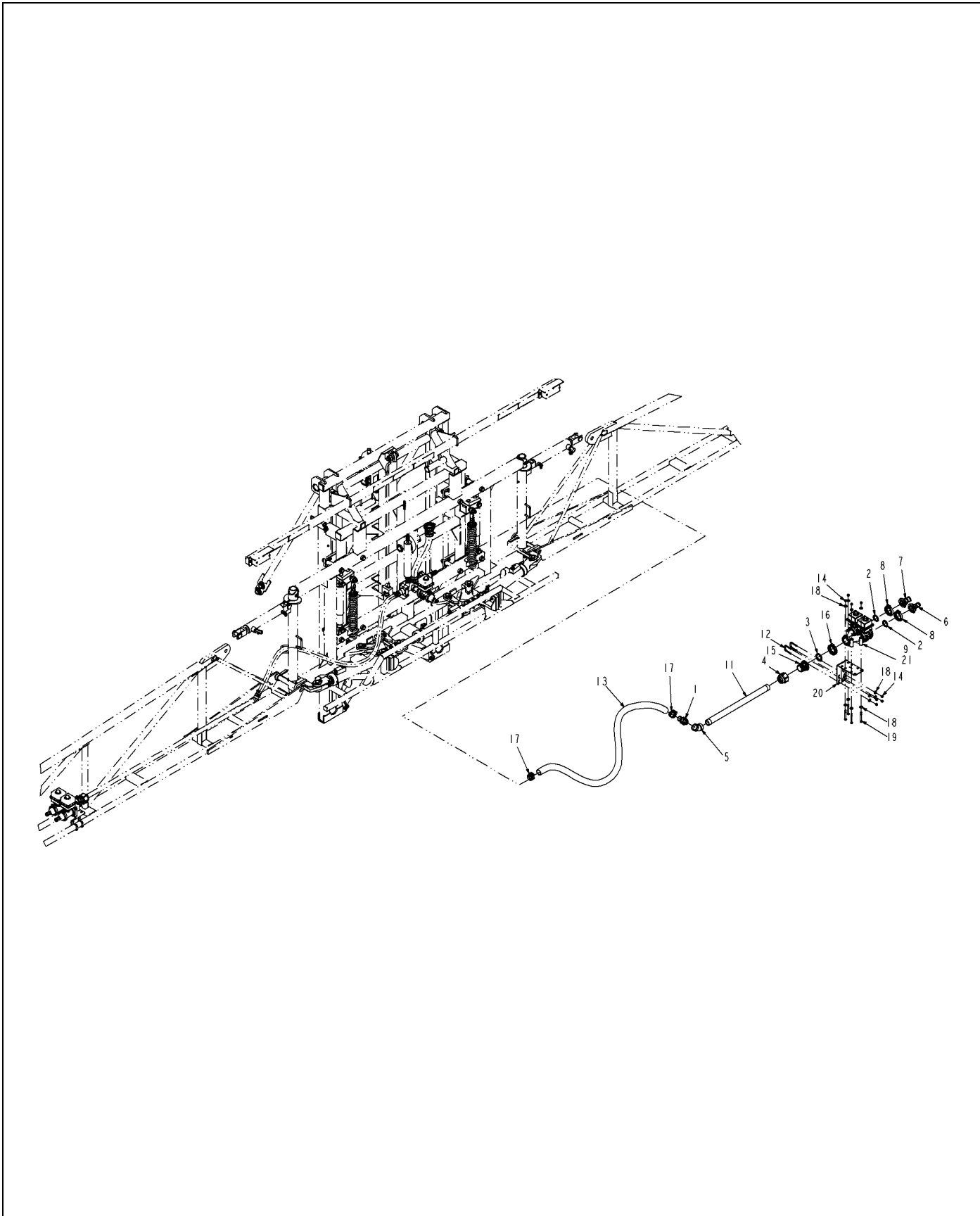
ITEM	PART #	QTY	DESCRIPTION	COMMENTS
1	AG000766	3	BARB-HOSE,1.50MNPTX1.50BARB,PP	
2	AG000772	1	GASKET 1.50 EPDM	
3	AG027275	4	NUT 0.25-20NC HEX SS REG NY	
4	AG050253	4	NIPPLE-PIPE,1.50NPTXCLS,PP	
5	AG050275	4	ELBOW-PIPE,1.50FNPT,90D,PP	
6	AG051133	1	PLUG-PIPE,HEX,0.50NPT,PP	
7	AG051439	2	NIPPLE REDUCING 2.00X1.50 P	
8	AG051533	2	BARB-HOSE,1.50MNPTX1.00BARB,PP	
9	AG051740	1	NIPPLE 0.25NPTX 0.87CLS 304SS	
10	AG051894	1	BUSHING 1.50X1.00 304SS	
11	AG052456	1	BARB-HOSE,1.50MNPTX2.00BARB,PP	
12	AG053044	2	VALVE 3-WAY 1.50 SIDELOAD	
13	AG056785	1	CLAMP 2.00 FLANGE	
14	AG057593	1	CONNECTOR 2.00X1.00HOSE	
15	AG106152	1	WLDMT TUBE DIFFUSER	
16	AG121883	1	VALVE-BALL,1.00FP FLGXNPT,ELEC	SEE PAGE 4-3
17	AG129187	AR	PIPE SEALANT-FLEX BLACK	
18	AG260508	1	PLATE-MTG,MANIFOLD,HV	
19	AG311914	1	WLDMT ACCUMULATOR	
20	AG326175	1	MANIFOLD WLDMT-HV BOOM CTR,THD	
21	AG513722	1	VLV BALL 1.50 POLY FF	
22	AG515121	8	WASHER 0.25 FL SS REG TYPE-B	
23	AG517855	1	TEE 0.25 NPT FEMALE SS	
24	AG518340	2	CLAMP 2.50 BLACK POLY (RTG)	
25	AG553492	1	NIPPLE .50NPT X 1.12CLS WR ST	
26	AG556424	1	BUSHG 0.75X 0.50NPT HX REDG PL	
27	AG563069	4	BOLT 0.25-20NCX 4.50 SS HHD	
28	AG609777	4	INSERT STAUFF SPACER	
29	AG710515	1	NIPPLE 1.50NPTX 1.75CLS 304SS	
30	AG710516	1	NIPPLE 1.00NPTX 1.50CLS 304SS	
31	AG710638	1	PLUG-PIPE,HEX,0.25NPT,304SS	
32	517405D1	1	TRANSDUCER-PRES,150 PSI, (MV)	



506451D1-01-M790-.tif

SYS INSTL-PLMB,120X7,ELEC VLV

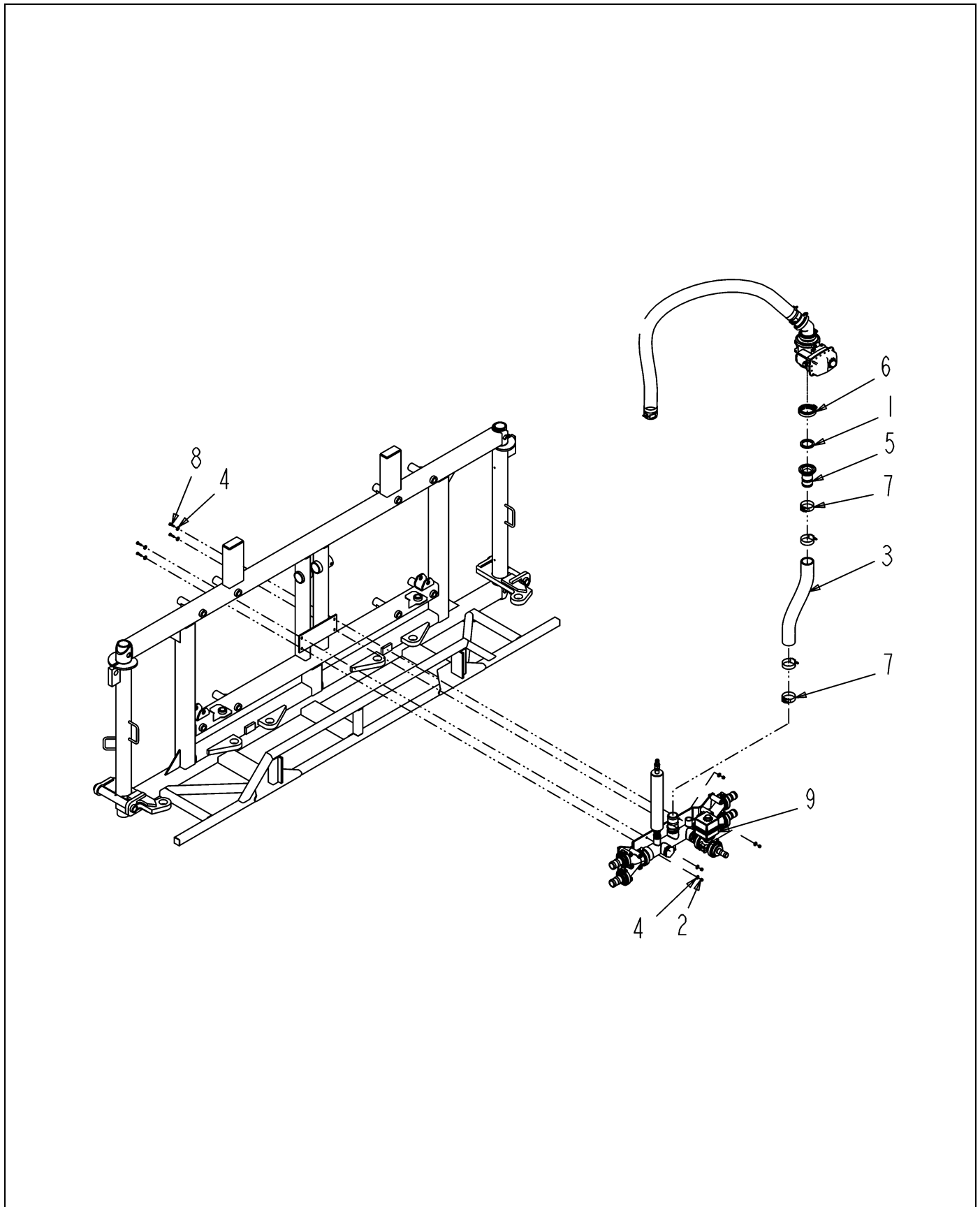
ITEM	PART #	QTY	DESCRIPTION	COMMENTS
1	AG000766	4	BARB-HOSE,1.50MNPTX1.50BARB,PP	
2	AG000772	6	GASKET 1.50 EPDM	
3	AG000773	2	GASKET 2.00 EPDM	
4	AG050266	2	COUPLG RED 1.50X 2.00NPT POLYP	
5	AG050271	2	COUPLING-PIPE,1.50NPT,PP	
6	AG051183	2	BARB-HOSE,1.00MNPTX1.25BARB,PP	
7	AG051534	2	BARB-HOSE,1.50MNPTX1.25BARB,PP	
8	AG051888	4	ELBOW 45D 1.50 304SS	
9	AG056289	4	CONNECTOR 2.00FLGX1.25HOSE	
10	AG056785	6	CLAMP 2.00 FLANGE	
11	AG057593	2	CONNECTOR 2.00X1.00HOSE	
12	AG121882	2	MANIFOLD ASM-Y,1.00FP FLG,ELEC	SEE PAGE 2-2
13	AG121883	2	VALVE-BALL,1.00FP FLGXNPT,ELEC	SEE PAGE 4-3
14	AG122147	2	BRKT WLDMT-MTG,Y MANF,BM PLMB	
15	AG129187	AR	PIPE SEALANT-FLEX BLACK	
16	AG231204	8	BOLT-U .31-18X1.88X2.63	
17	AG512230	-	HOSE 1.50 2BRD EPDM [BULK: 21.500 FT]	
18	AG515121	8	WASHER 0.25 FL SS REG TYPE-B	
19	AG515122	8	WASHER 0.25 LK SS REG	
20	AG516403	24	NUT 0.31-18NC HEX SS REG NY	
21	AG522893	2	CONNECTOR-2.00FLGX2.00NPT	
22	AG522895	2	CLAMP-WORM SCREW,2.00,SS	
23	AG561231	16	CLAMP 1.06-2.00 HOSE 24HS	
24	AG562054	8	BOLT 0.25-20NCX 0.75 SS HHD	
25	AG562074	32	WASHER 0.31 FL SS REG TYPE-B	
26	AG708300	8	BOLT 0.31-18NCX 3.50 SS HHD	
27	505271D1	1	HARNESS INSTL-BSO VLV,7 SECT	SEE PAGE 6-5
28	506452D1	1	BRKT-MTG,KZ VLV,RH	
29	506453D1	1	BRKT-MTG,KZ VLV,LH	
30	506454D1	2	TUBE-SECTION FEED,1.50,85.00	
31	506455D1	2	TUBE-SECTION FEED,1.50,240.00	



511498D1-02-R506-.TIF

SYS INSTL-PLMB,1.50,100X5,RTRY

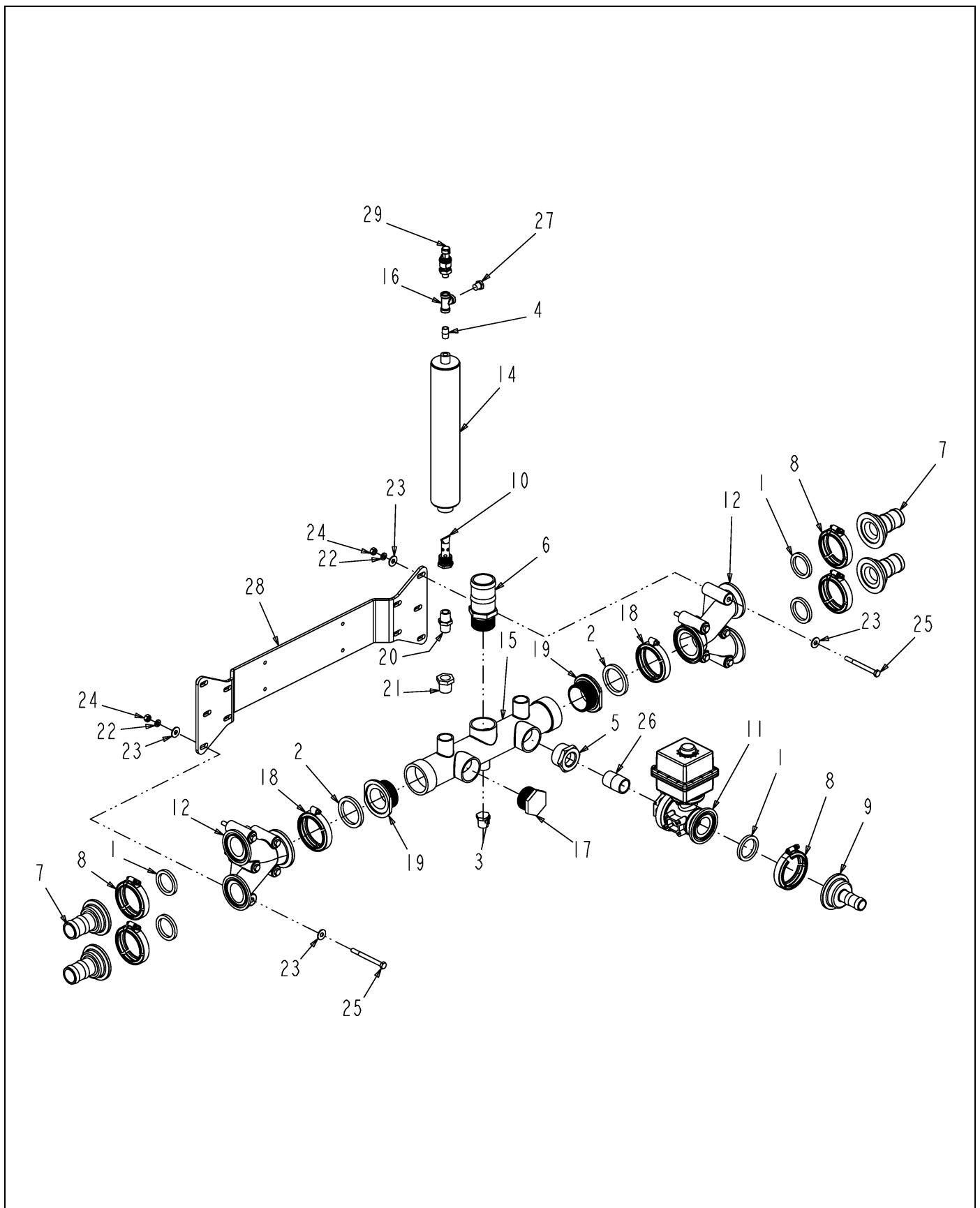
ITEM	PART #	QTY	DESCRIPTION	COMMENTS
1	AG000766	2	BARB-HOSE,1.50MNNTTX1.50BARB,PP	
2	AG000772	4	GASKET 1.50 EPDM	
3	AG000773	2	GASKET 2.00 EPDM	
4	AG050266	2	COUPLG RED 1.50X 2.00NPT POLYP	
5	AG051888	2	ELBOW 45D 1.50 304SS	
6	AG056289	2	CONNECTOR 2.00FLGX1.25HOSE	
7	AG056291	2	CONNECTOR 2.00FLGX1.50HOSE	
8	AG056785	4	CLAMP 2.00 FLANGE	
9	AG121882	2	MANIFOLD ASM-Y,1.00FP FLG,ELEC	SEE PAGE 2-2
10	AG129187	AR	PIPE SEALANT-FLEX BLACK	
11	AG135097	2	TUBE-SECTION FEED,1.50,77.00	
12	AG231204	4	BOLT-U .31-18X1.88X2.63	
13	AG512230	-	HOSE 1.50 2BRD EPDM [BULK: 12.500 FT]	
14	AG516403	16	NUT 0.31-18NC HEX SS REG NY	
15	AG522893	2	CONNECTOR-2.00FLGX2.00NPT	
16	AG522895	2	CLAMP-WORM SCREW,2.00,SS	
17	AG561231	8	CLAMP 1.06-2.00 HOSE 24HS	
18	AG562074	24	WASHER 0.31 FL SS REG TYPE-B	
19	AG708300	8	BOLT 0.31-18NCX 3.50 SS HHD	
20	509725D1	2	BRKT WLDMT-MTG,Y MANF,BM PLMB	
21	520583D1	1	HARN INSTL-ELEC BM SECT,90/100	



506844D1-01-M790-.TIF

MANF INSTL-BM,HV Y,W/BALL VLV

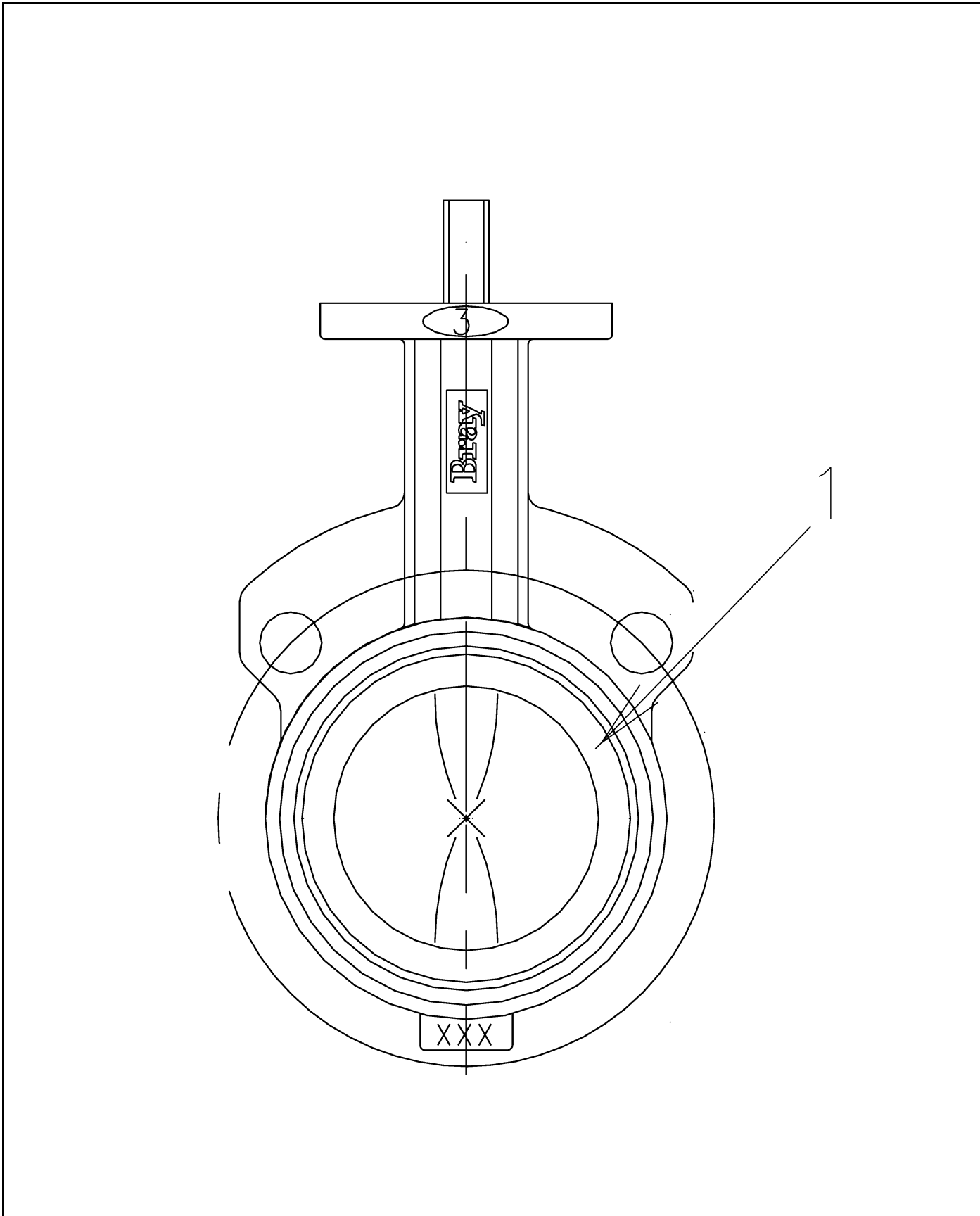
ITEM	PART #	QTY	DESCRIPTION	COMMENTS
1	AG000773	1	GASKET 2.00 EPDM	
2	AG027275	4	NUT 0.25-20NC HEX SS REG NY	
3	AG511722	-	HOSE-2.00,WIRE BRAID,EPDM [BULK: 1.667 FT]	
4	AG515121	8	WASHER 0.25 FL SS REG TYPE-B	
5	AG522894	1	CONN-2.00 FLG X2.00 HOSE BARB	
6	AG522895	1	CLAMP-WORM SCREW,2.00,SS	
7	AG561630	4	CLAMP 2.28-2.59HOSE VOSS-250SS	
8	AG562064	4	BOLT 0.25-20NCX 1.00 SS HHD	
9	506845D1	1	MANF ASM-BM,HV Y,W/BALL VLV	SEE PAGE 2-7



506845D1-03-R100-.TIF

MANF ASM-BM,HV Y,W/BALL VLV

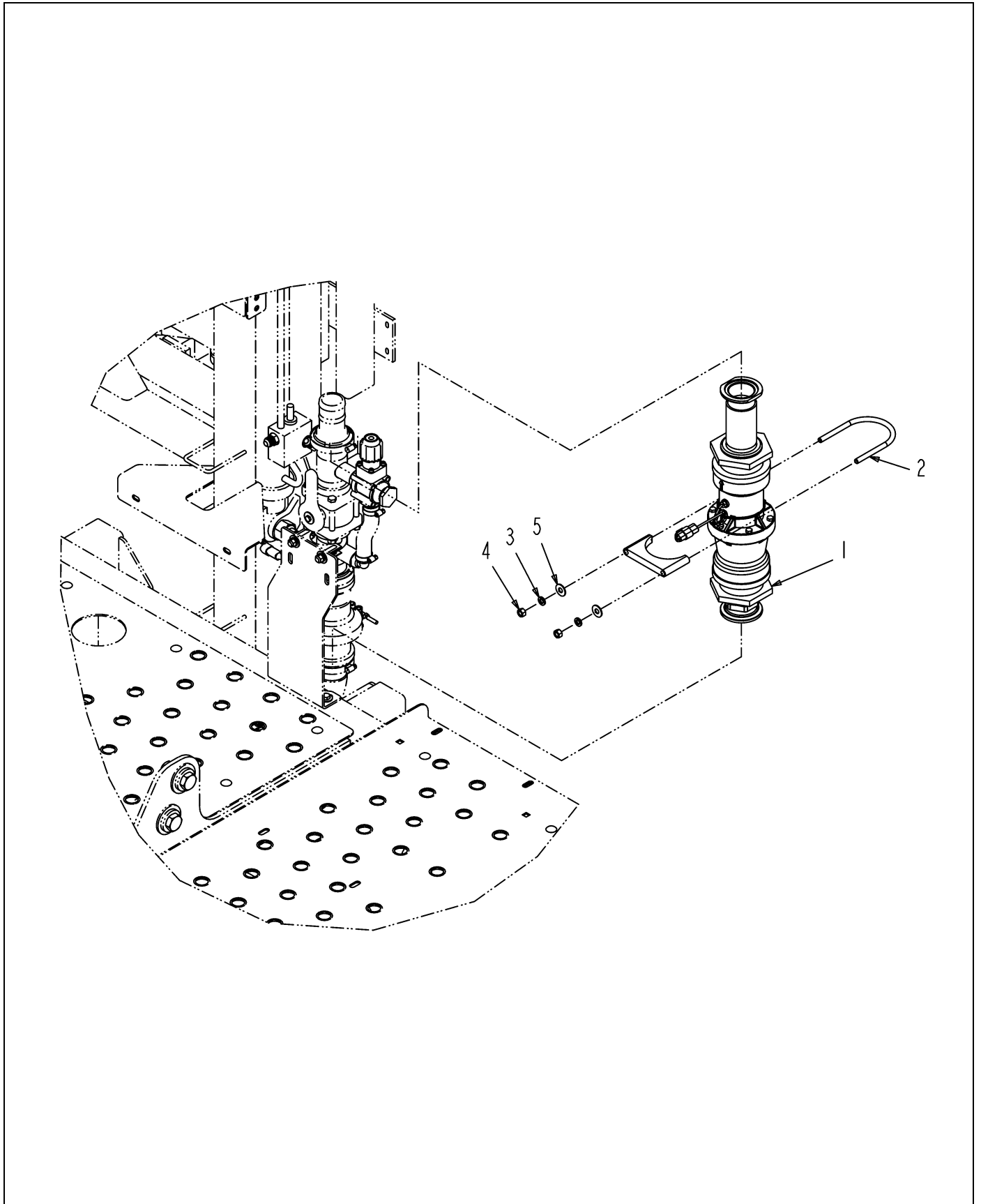
ITEM	PART #	QTY	DESCRIPTION	COMMENTS
1	AG000772	5	GASKET 1.50 EPDM	
2	AG000773	2	GASKET 2.00 EPDM	
3	AG051133	1	PLUG-PIPE,HEX,0.50NPT,PP	
4	AG051740	1	NIPPLE 0.25NPTX 0.87CLS 304SS	
5	AG051894	1	BUSHING 1.50X1.00 304SS	
6	AG052456	1	BARB-HOSE,1.50MNPTX2.00BARB,PP	
7	AG056291	4	CONNECTOR 2.00FLGX1.50HOSE	
8	AG056785	5	CLAMP 2.00 FLANGE	
9	AG057593	1	CONNECTOR 2.00X1.00HOSE	
10	AG106152	1	WLDMT TUBE DIFFUSER	
11	AG121883	1	VALVE-BALL,1.00FP FLGXNPT,ELEC	SEE PAGE 4-3
12	AG121930	2	MANIFOLD-Y,2.00FPX2.00SP	
13	AG129187	AR	PIPE SEALANT-FLEX BLACK	
14	AG311914	1	WLDMT ACCUMULATOR	
15	AG326175	1	MANIFOLD WLDMT-HV BOOM CTR,THD	
16	AG517855	1	TEE 0.25 NPT FEMALE SS	
17	AG522149	1	PLUG-PIPE,HEX,1.50NPT,PP	
18	AG522895	2	CLAMP-WORM SCREW,2.00,SS	
19	AG523524	2	ADPTR-2.0FLG,FPX2.0MPT,316SS	
20	AG553492	1	NIPPLE .50NPT X 1.12CLS WR ST	
21	AG556424	1	BUSHG 0.75X 0.50NPT HX REDG PL	
22	AG562051	10	WASHER 0.31 LK SS REG	
23	AG562074	20	WASHER 0.31 FL SS REG TYPE-B	
24	AG562090	10	NUT 0.31-18NC HEX SS REG	
25	AG563070	10	BOLT 0.31-18NCX 3.50 SS HHD	
26	AG710516	1	NIPPLE 1.00NPTX 1.50CLS 304SS	
27	AG710638	1	PLUG-PIPE,HEX,0.25NPT,304SS	
28	506846D1	1	BRKT-MTG,MANF,BM,HV Y	
29	517405D1	1	TRANSDUCER-PRES,150 PSI, (MV)	



520377-C.TIF

VALVE-BTFL,3.00

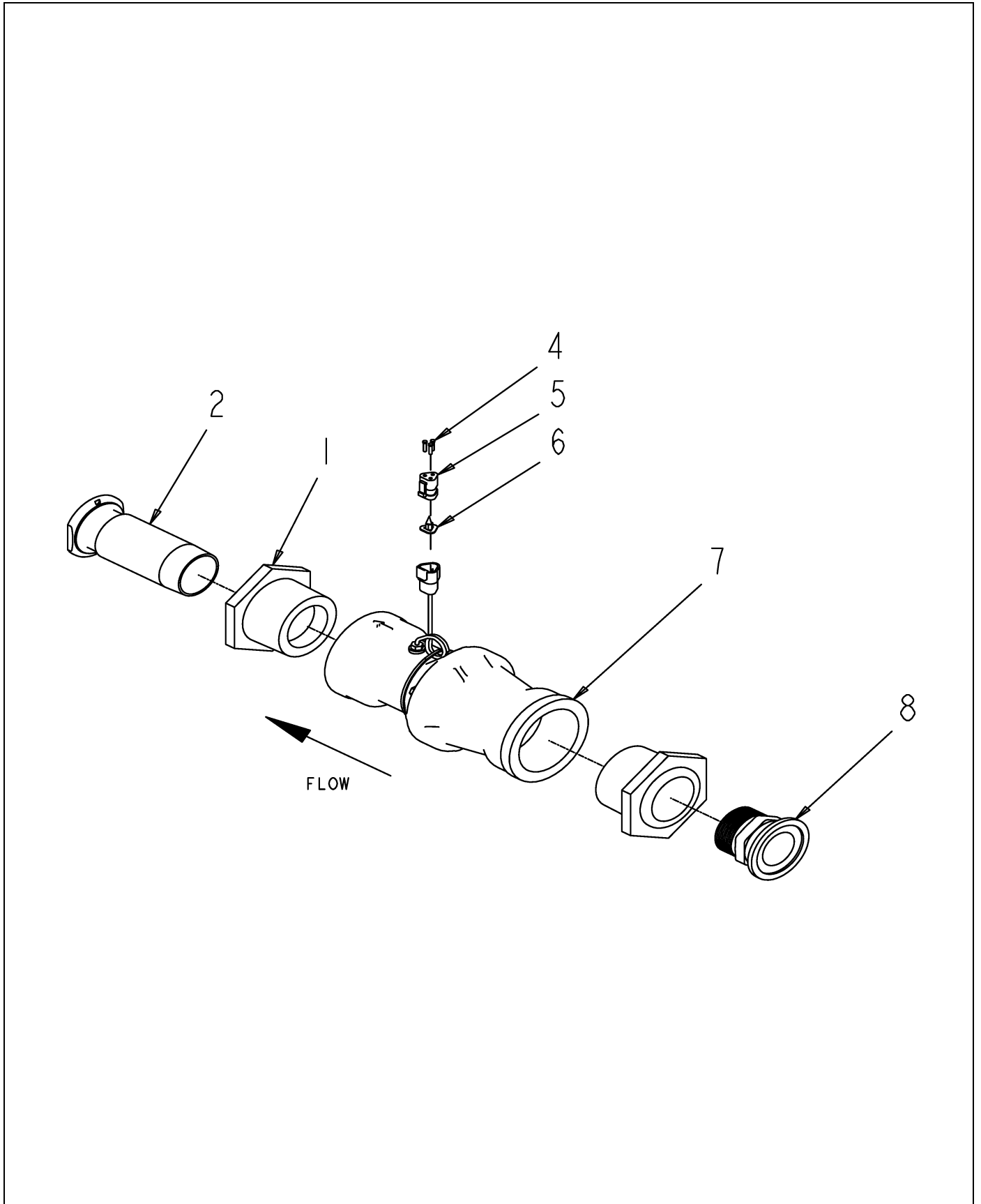
ITEM	PART #	QTY	DESCRIPTION	COMMENTS
1	AG717132	-	KIT-REPAIR,VALVE 3.00	



131086-A.TIF

FLWMTR INSTL-3.00,41 PPG

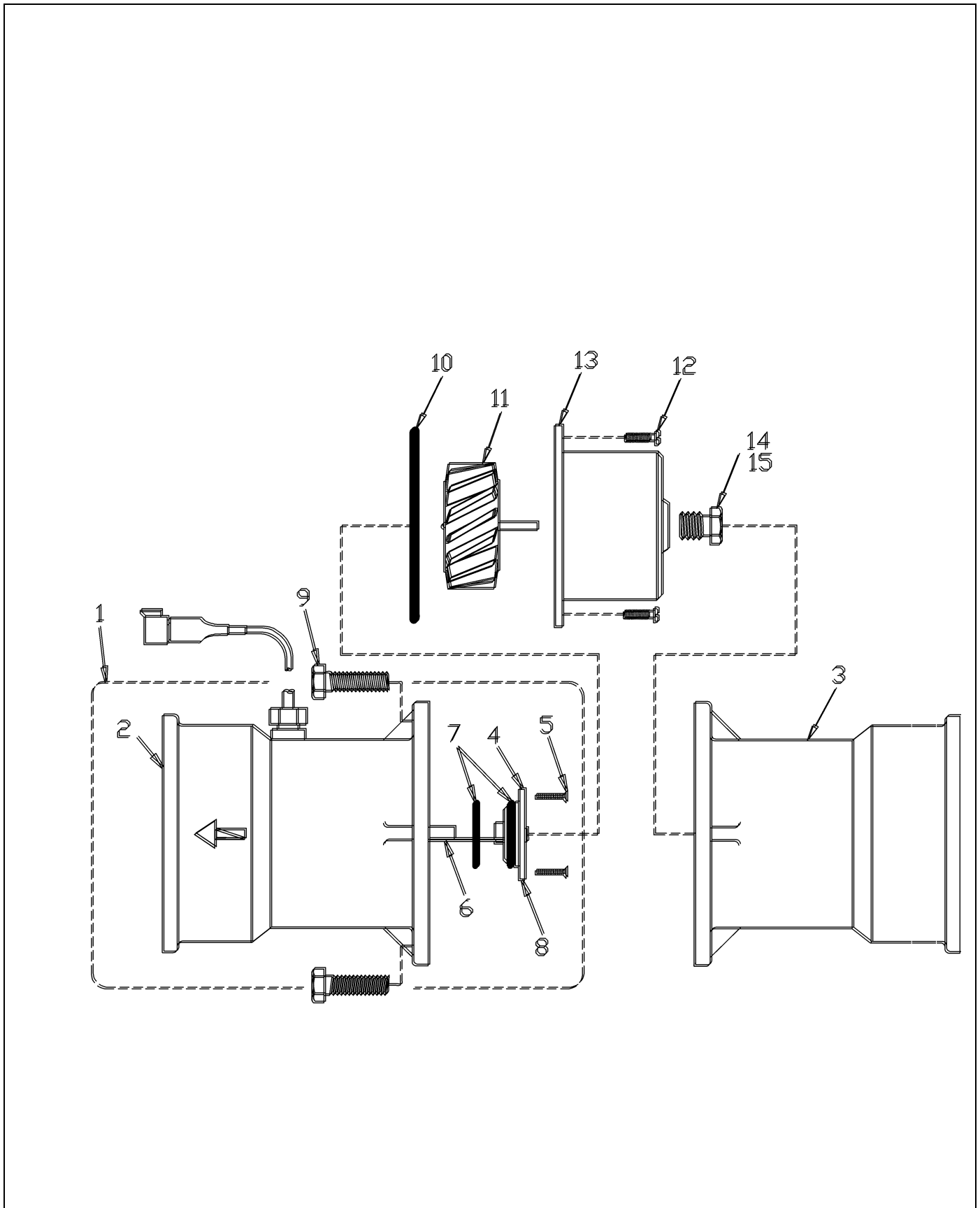
ITEM	PART #	QTY	DESCRIPTION	COMMENTS
1	WR122648	1	FLWMTR ASM-3.00 41PPG	SEE PAGE 2-10
2	AG516611	1	CLAMP MUFFLER 3.50	
3	AG550191	2	WASHER 0.37 LK ZN REG	
4	AG550825	2	NUT 0.37-16NC HEX ZN REG	
5	AG551007	2	WASHER 0.37 FL ZN REG TYPE-B	



122648-C-L679.TIF

FLWMTR ASM-3.00 41PPG

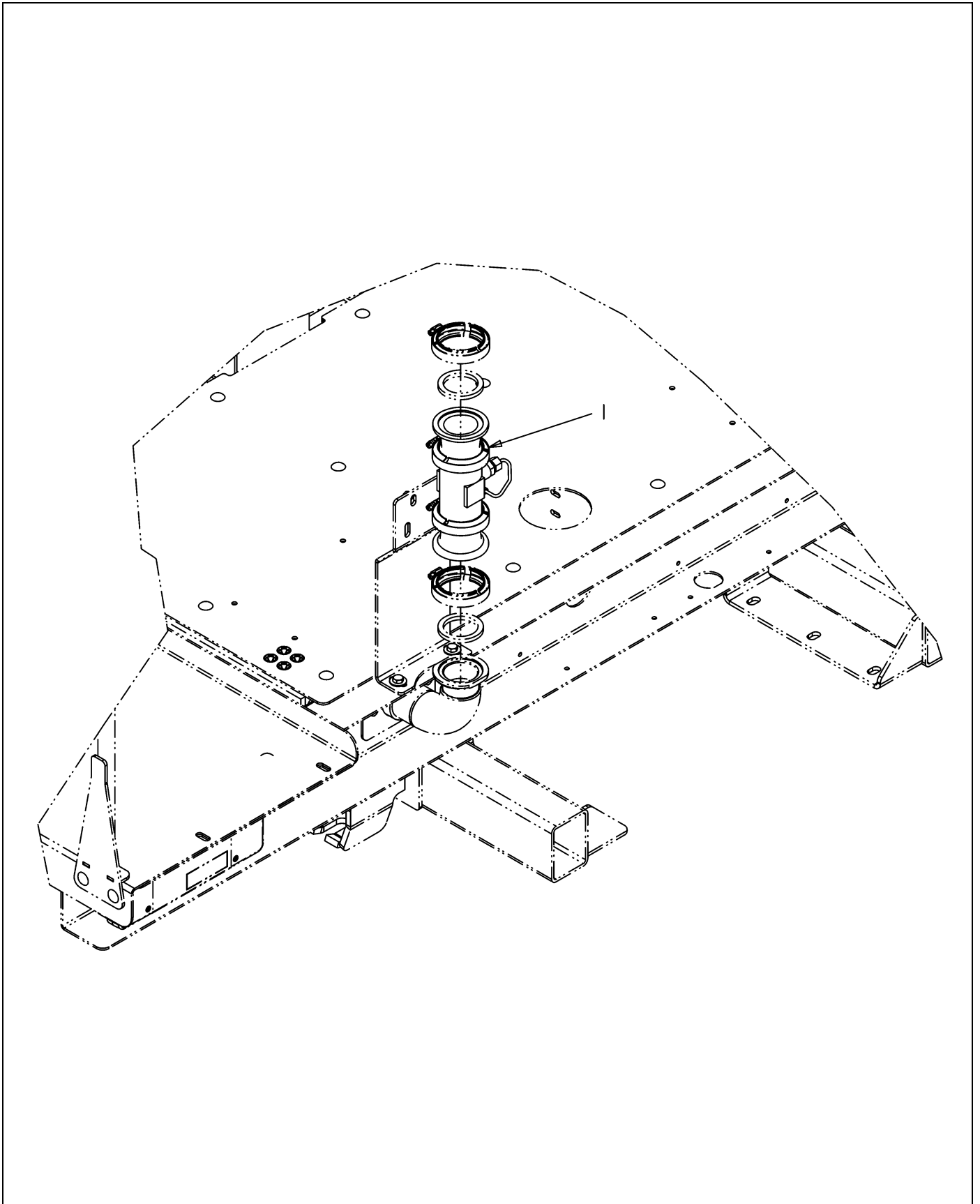
ITEM	PART #	QTY	DESCRIPTION	COMMENTS
1	AG050681	2	BSHG-RDCR,HEX,3.00X2.00NPT,PP	
2	AG122651	1	NIPPLE WLDMT-2.00NPTX2.00FLG	
3	AG129187	AR	PIPE SEALANT-FLEX BLACK	
4	AG515669	3	PLUG-SEAL,SIZE 16 CONTACT	
5	AG521021	1	CONN-PLUG,3WAY,18-14GA	
6	AG521023	1	LOCK-PLUG,3WAY,18-14GA	
7	AG522563	1	FLMTR ASM-3.00,41 PULSE/GL,CI	SEE PAGE 2-11
8	AG522893	1	CONNECTOR-2.00FLGX2.00NPT	



522563.TIF

FLMTR ASM-3.00,41 PULSE/GL,CI

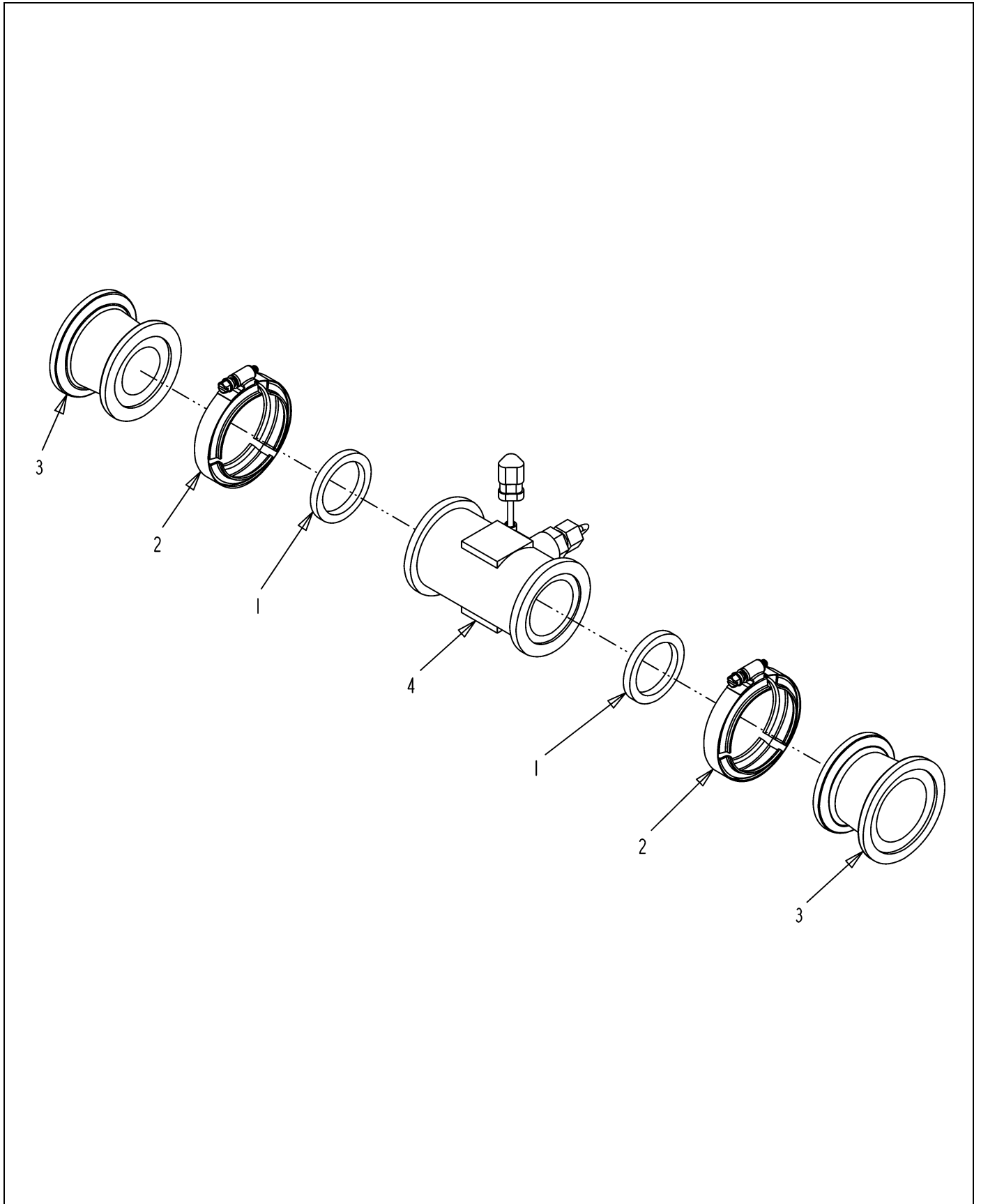
ITEM	PART #	QTY	DESCRIPTION	COMMENTS
1	AG060083	1	SENSOR HSG ASM	
2	AG060084	1	SENSOR HSG	
3	AG711934	1	HUB HOUSING	
4	AG724793	1	END BEARING/PC ASM	
5	AG711226	1	SCREW #2-56 X .31LG FLAT HD SS	
6	AG724790	1	PC ASM	
7	AG708715	1	O RING VITON	
8	AG050394	1	END PLATE	
9	AG710655	1	BOLT HHD .25-20X1 IN SS R/B562064	
10	AG709343	1	O RING VITON RFM200	
11	AG722818	1	TURBINE RFM 200	
12	AG711903	1	SCREW #4-40 X .37LG PAN HD SCS	
13	AG722819	1	TURBINE HUB/BEARING ASM	
14	AG709344	1	STUD W/BEARING	
15	AG714996	1	THREAD SEAL	



135910-01-M399-.TIF

FLOWMETER INSTL-1.50,RFM60P

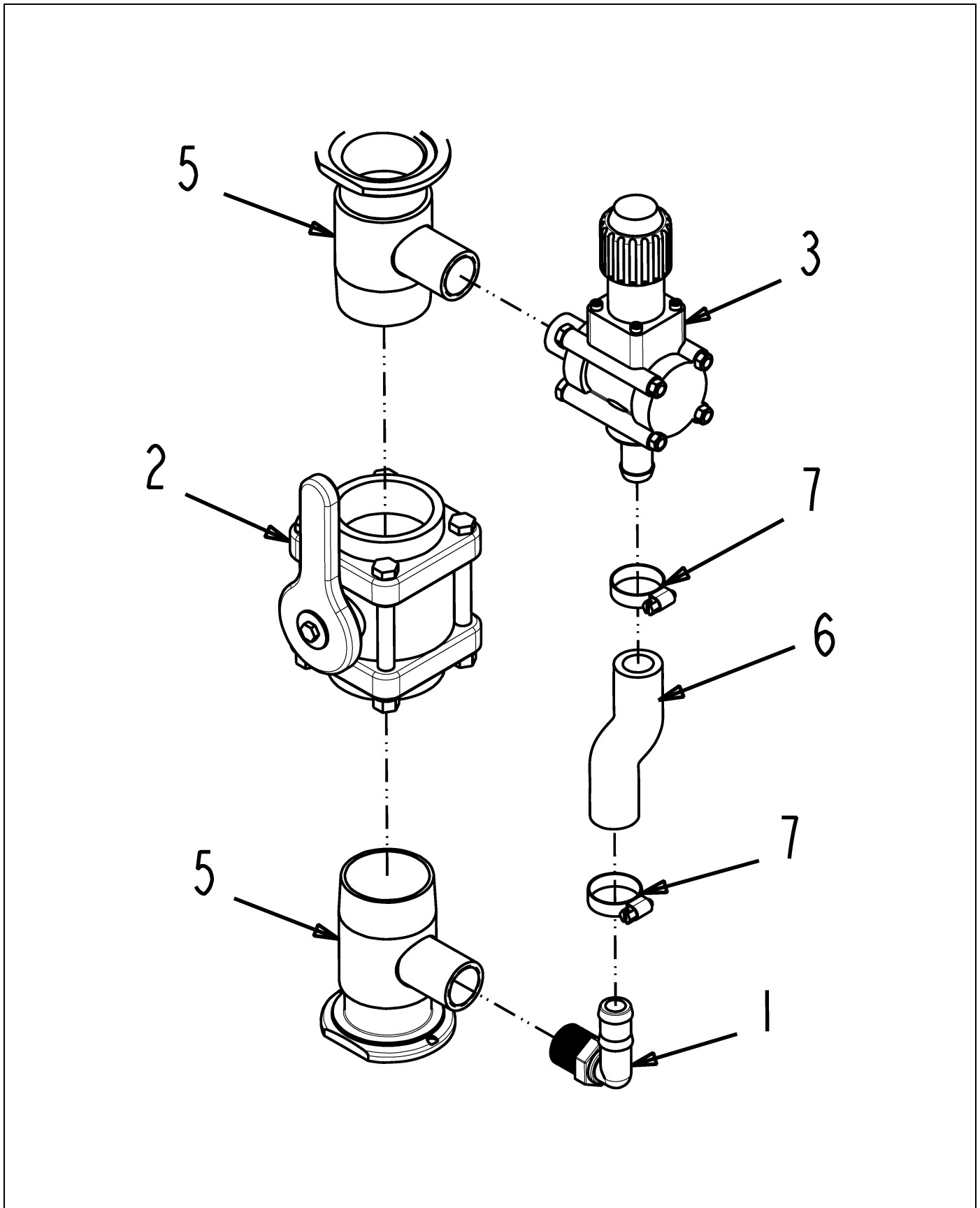
ITEM	PART #	QTY	DESCRIPTION	COMMENTS
1	AG135911	1	FLWMTR ASM-RFM60P,2.00FP FLG	SEE PAGE 2-13



135911-01-M399-.TIF

FLWMTR ASM-RFM60P,2.00FP FLG

ITEM	PART #	QTY	DESCRIPTION	COMMENTS
1	AG000772	2	GASKET 1.50 EPDM	
2	AG056785	2	CLAMP 2.00 FLANGE	
3	AG057575	2	COUPLING,FLANGE 2.00FPX2.00	
4	AG128771	1	FLWMTR-2.00SP FLG,RFM60P,12V	SEE PAGE 2-32

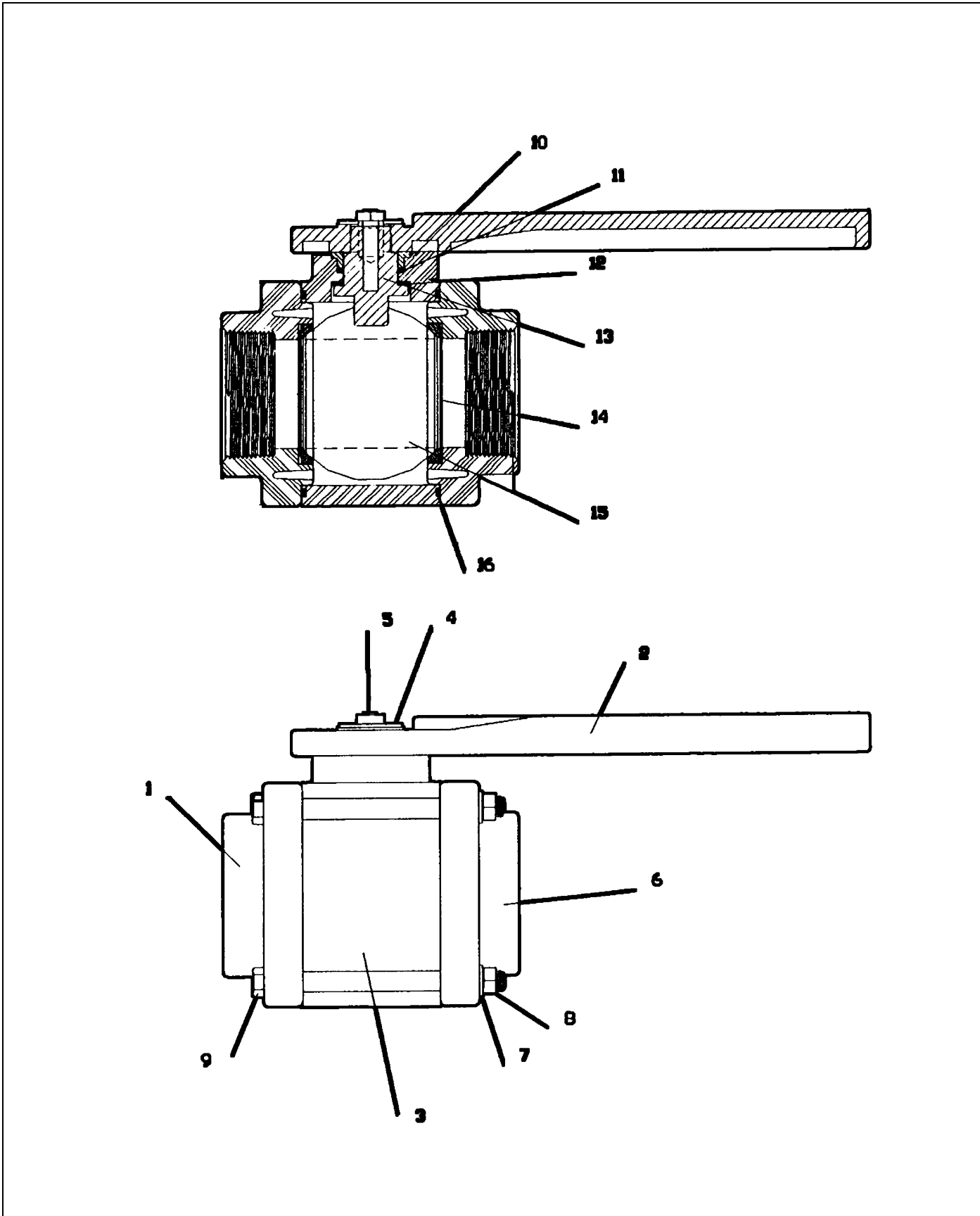


135913-01-M399.TIF

KIT ASM-LOW RATE,2.00FP FLG

ITEM	PART #	QTY	DESCRIPTION	COMMENTS
1	AG051142	1	ELBOW 90D 0.75NPTX0.75 BARB PP	
2	AG056146	1	VALVE-2IN,FULL PORT	SEE PAGE 2-15
3	AG123068	1	VALVE ASM-REGULATING, PRESSURE	SEE PAGE 2-16
4	AG129187	-	PIPE SEALANT-FLEX BLACK	
5	AG262382	2	TEE-PRESS RELIEF,FLOWMETER	
6	AG513385	-	HOSE,MED.PRESS 0.75 2BRD EPDM [BULK: 0.625 FT]	
7	AG561229	2	CLAMP 0.68-1.25 HOSE 12HS	

VALVE-2IN,FULL PORT

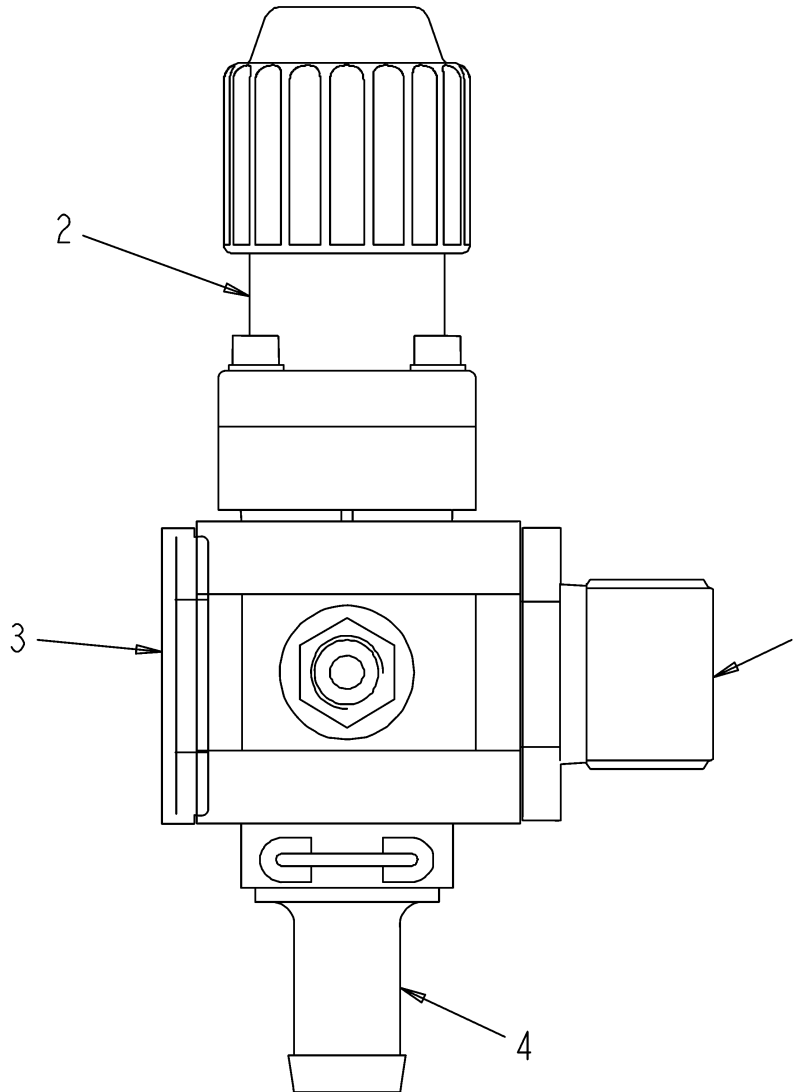


056146.TIF

VALVE-2IN,FULL PORT

ITEM	PART #	QTY	DESCRIPTION	COMMENTS
1	AG051822	1	NOZZLE 1/8WFF 5.5 FLAT SPRAY	
2	AG000796	1	HANDLE 2&3	
3	AG007578	1	BODY	
5	AG059011	1	BOLT-.32X1 UNSLOTTED HHD	
6	AG054822	1	PLATE- END 2.00 FULL PORT 3WAY	
7	AG054234	4	BODY LOCKWASHER 3/8	
8	AG054235	4	BODY NUT 3/8-16SS	
9	AG053860	4	BOLT SS BODY 0.37X4.50	
10	AG000801	1	BUSHING UPPER OR LOWER STEM	
11	AG000803	1	O-RING VITON	
12	AG054488	3	THRUST WASHER 3 IN	
13	AG000795	1	STEM V25151	
14	AG006581	2	BALL SEAT	
15	AG000794	1	VALVE BALL 2.00	
16	AG006578	2	VALVE BODY O-RING VITON	

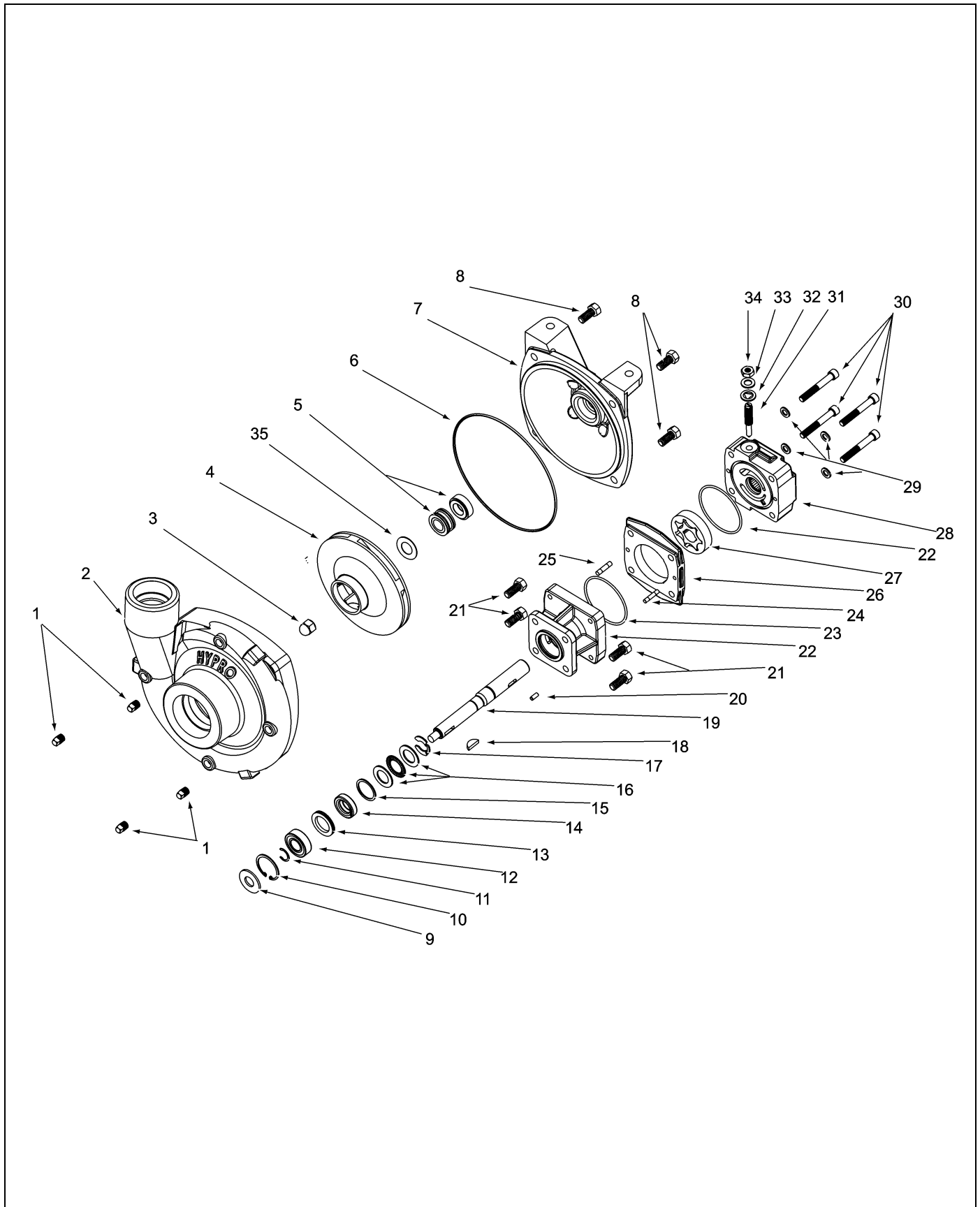
VALVE ASM-REGULATING, PRESSURE



123068-B.TIF

VALVE ASM-REGULATING, PRESSURE

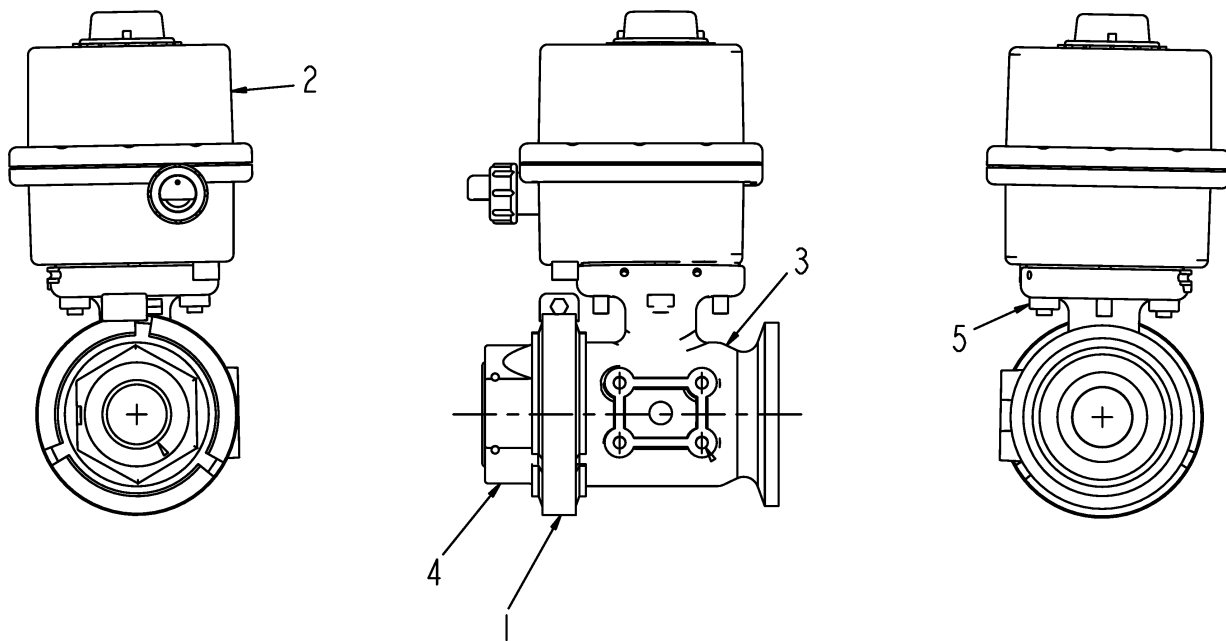
ITEM	PART #	QTY	DESCRIPTION	COMMENTS
1	AG123071	-	ADAPTER-INLET,MALE	
2	AG520386	-	VALVE-RELIEF	
3	AG123070	-	ADAPTER-CLOSED	
4	AG123072	-	HOSE BARB 3/4 IN	
5	AG123073	-	ORING VITON	



128977.TIF

PUMP-CNTFGL,2.00X1.50,9306CHM5

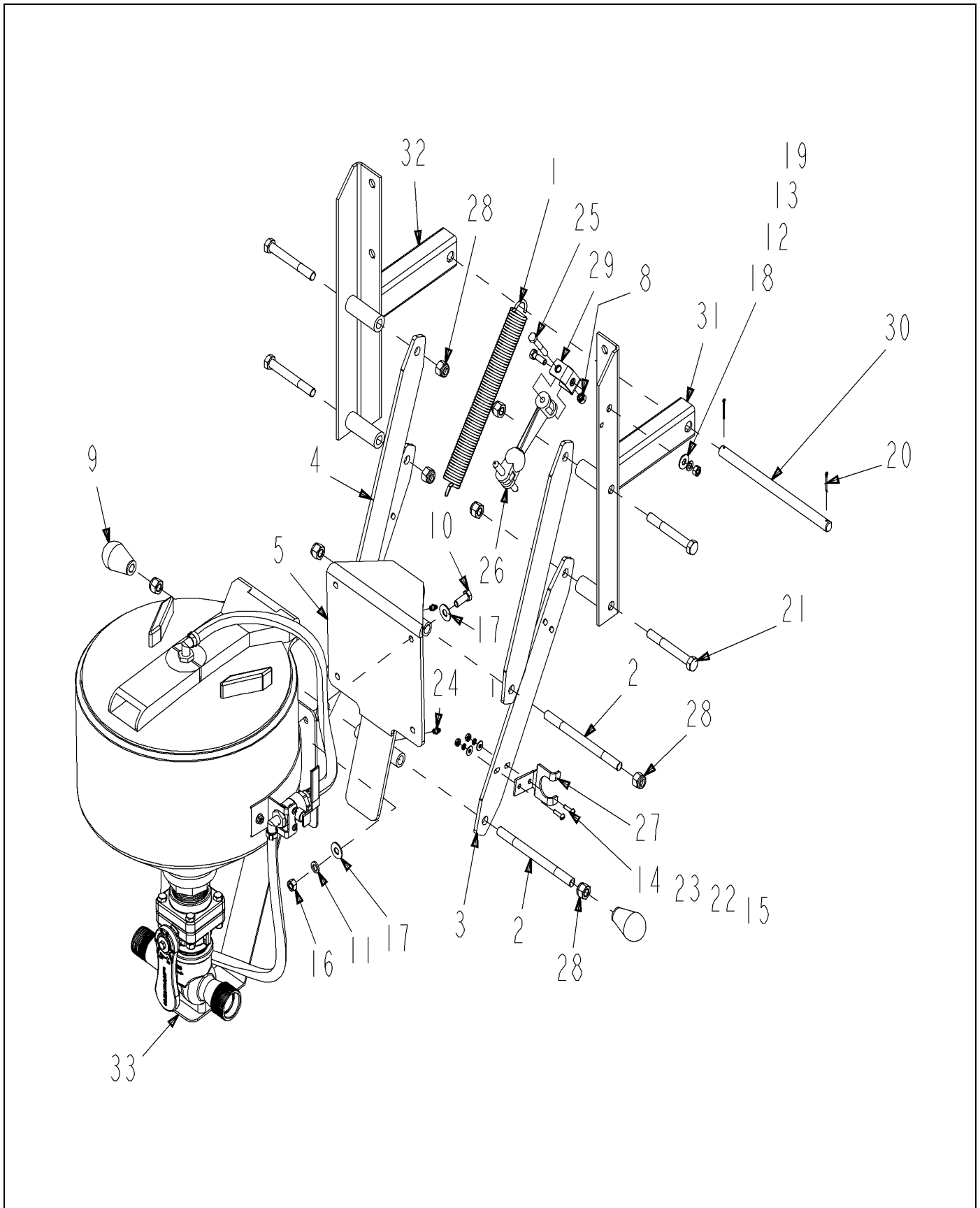
ITEM	PART #	QTY	DESCRIPTION	COMMENTS
1	AG006504	4	PIPE PLUG CASING	
2	AG131486	1	CASING, PUMP	
3	AG005168	1	NUT IMPELLER 2253-2	
4	AG131494	1	IMPELLER	
5	AG000482	1	SEAL VITON	
6	AG000338	1	O-RING	
7	AG131487	1	FLANGE,MOUNTING	
8	AG006500	4	SCREW HEX HD FLANGE TO CASING	
9	AG000313	1	O-RING WASHER	
10	AG000349	1	RING BEARING	
11	AG000346	1	RING BEARING	
12	AG006990	1	BEARING BALL	
13	AG006992	1	SLEEVE	
14	AG005536	1	SEAL ONLY	
15	AG006991	1	SLEEVE	
16	AG007170	1	BEARING ASM	
17	AG006993	1	SNAP RING	
18	AG005687	1	KEY WOODRUFF	
19	AG006995	1	SHAFT HM1	
20	AG006997	1	PIN ROLL	
21	AG007657	4	CAPSCREW	
22	AG056226	1	BODY,MOTOR	[A]
23	AG006175	2	O RING	
24	AG007002	1	DOWEL PIN HM1	
25	AG007004	1	PIN DOWEL HM1	
26	AG058979	1	HOUSING,GEROTOR HM5	
27	AG055073	1	GEROTOR HM5 MODEL	
28	AG058978	1	END PLATE,MOTOR WITH BEARING	
29	AG007009	4	WASHER	
30	AG007010	4	CAPSCREW SOCKET HEAD HM2	
31	AG006947	1	SCREW BYPASS ADJ	
32	AG007006	1	GASKET	
33	AG007007	1	WASHER	
34	AG007008	1	LOCKNUT	
35	AG052854	1	GASKET VITON	
	FOOTNOTE [A]		REPLACES AG006998 ALUM. BODY. AG056226 IS CAST IRON	
	FOOTNOTE [A]		AG050655-NEEDLE BEARING	



523925-02-N312-.TIF

VALVE-ELEC,REG,2.0FLGX1.0FNPT

ITEM	PART #	QTY	DESCRIPTION	COMMENTS
REF	AG060921	1	KIT/REPAIR,KZ VALVE 121924	
REF	AG726982	1	BALL / 2-WAY	
REF	AG726981	1	PIN / HAIR	
1	AG121922	-	CLAMP-V BAND,QX4	
2	AG121923	-	ACTUATOR-000-41-Q-9	
3	AG121924	-	BODY-VALVE,FLG OUTLET,1.00,2W	
4	AG121925	-	CAP-END,1.00 FNPT	
5	AG121926	-	NUT-KEP"S,.50-20NC	
	FOOTNOTE		NEW VOLTAGE REGULATOR ADDED TO ACTUATOR. USED	
			IN S/N 114543,114548,114550,114552	
	FOOTNOTE		AND NUMBER 114891 AND ABOVE.	

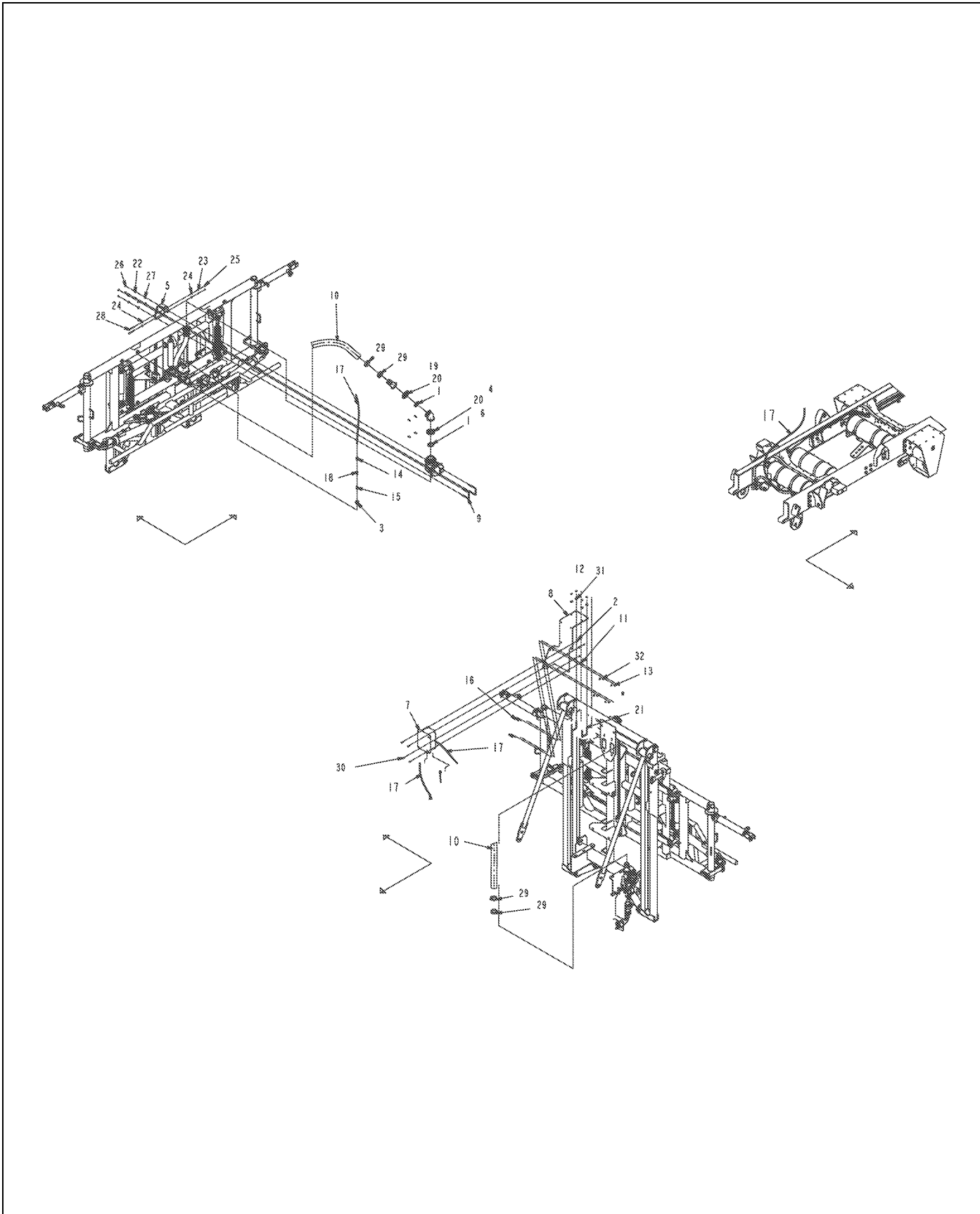


124281-08-R529-.TIF

EDUCTOR ASM-CHEMICAL,PE

ITEM	PART #	QTY	DESCRIPTION	COMMENTS
1	WR12030	1	SPRING-EXTENSION	
2	AG108316	2	ROD, PIVOT INDUCTOR	
3	AG124282	2	PLATE-ARM, LOWER	
4	AG124283	2	PLATE-ARM, UPPER	
5	AG124285	1	MTG WLDMT-POLY EDUCTOR	
6	AG511099	AR	GREASE-MULTI PURPOSE LITH.	
7	AG512885	AR	LOCTITE ADHESIVE SEALANT BLUE	
8	AG516403	1	NUT 0.31-18NC HEX SS REG NY	
9	AG517536	2	KNOB, THREADED	
10	AG550175	4	BOLT 0.37-16NCX 1.00 G5 ZN HHD	
11	AG550191	4	WASHER 0.37 LK ZN REG	
12	AG550205	1	WASHER 0.31 LK ZN REG	
13	AG550213	1	NUT 0.31-18NC HEX ZN REG	
14	AG550620	2	SCREW 10-24X.75 MA RHD SL ZN	
15	AG550647	2	NUT #10-24NC HEX ZN REG	
16	AG550825	4	NUT 0.37-16NC HEX ZN REG	
17	AG551007	8	WASHER 0.37 FL ZN REG TYPE-B	
18	AG551015	1	WASHER 0.31 FL ZN REG TYPE-B	
19	AG551252	1	BOLT 0.31-18NCX 1.00 G5 ZN HHD	
20	AG552321	2	PIN COTTER 0.09X1.00 ZN (D)	
21	AG552410	4	BOLT 0.50-13NCX 4.00 G5 ZN HHD	
22	AG553182	2	WASHER #10 LK ZN REG	
23	AG553670	2	WASHER #10 FL ZN REG TYPE-B	
24	AG561892	2	FITTING LUBE STR 0.25UNF	
25	AG562080	1	BOLT 0.31-18NCX 2.00 SS HHD	
26	AG600008	1	HOOK RUBBER 510327 (P)	
27	AG600016	1	BRACKET HOOD 510327 (P)	
28	AG601152	8	NUT 0.50-13NC HEX ZN REG NY	
29	AG601764	1	ANCHOR BRKT HOOD HOOK HUNT	
30	516475D1	1	PIN MOUNT SPRING EDUCTOR	
31	516480D1	1	MTG WLDMT-EDUCTOR,RH	
32	516481D1	1	MTG WLDMT-EDUCTOR,LH	
33	520952D1	1	EDUCTOR-CHEM,CLEANLOAD II,PE	

SYS INSTL-BOOM CLEANOUT

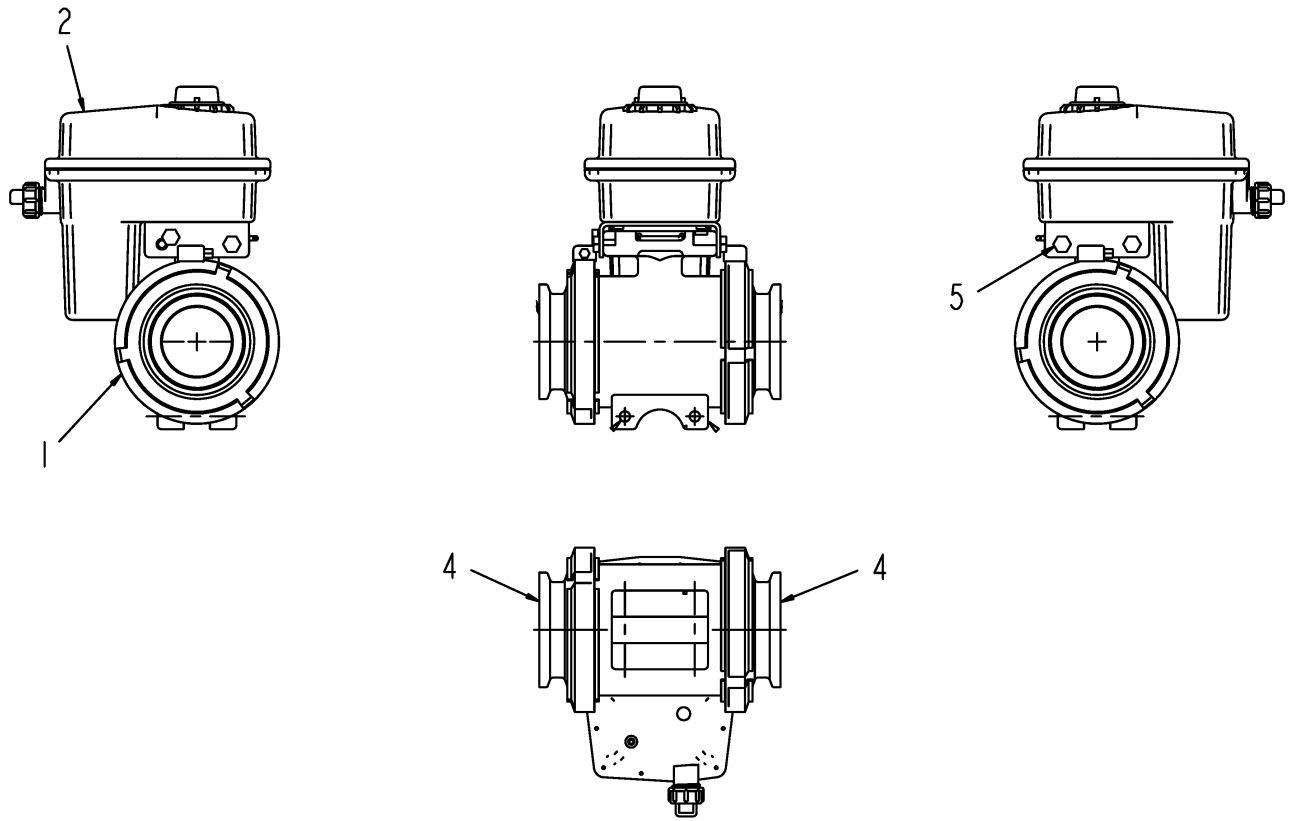


121950-03-R128-.TIF

SYS INSTL-BOOM CLEANOUT

ITEM	PART #	QTY	DESCRIPTION	COMMENTS
1	AG000773	2	GASKET 2.00 EPDM	
2	AG027275	4	NUT 0.25-20NC HEX SS REG NY	
3	AG051573	1	BSHG-RDCR,HEX,0.75X0.25NPT,PP	
4	AG059565	1	ELBOW 2.00FP FLANGE 45D	
5	AG121951	1	BRKT WLDMT-MTG,2.00 VALVE	
6	AG121956	1	VALVE-BALL,2.00FP FLG,ELEC	SEE PAGE 2-21
7	AG122562	1	BOX ASM-AIR,BOOM CLEAN OUT	SEE PAGE 7-8
8	AG122611	1	BRKT-MTG,AIR BOX, BCO/HV	
9	AG230314	2	U-BOLT 3.00 X 4.0 SQ	
10	AG511722	-	HOSE-2.00,WIRE BRAID,EPDM [BULK: 73 FT]	
11	AG515121	8	WASHER 0.25 FL SS REG TYPE-B	
12	AG515140	4	NUT 0.37-16NC HEX SS HVY NY	
13	AG516403	4	NUT 0.31-18NC HEX SS REG NY	
14	AG516481	1	CONNECTOR M 0.38X0.25NPT AUTLK	
15	AG517999	1	VALVE CHECK 0.25NPTF 3000PSI	
16	AG518292	2	BOLT-U .31-18X2.00X 2.69 RD SS	
17	AG518847	-	TUBING H.D.P.E. 3/8 IN [BULK: 21 FT]	
18	AG519336	1	COUPLING PIPE 0.25 NPT 304SS	
19	AG522894	1	CONN-2.00 FLG X2.00 HOSE BARB	
20	AG522895	2	CLAMP-WORM SCREW,2.00,SS	
21	AG524292	2	BOLT-U, .38-16,2.56X3.50,SQ,SS	
22	AG550191	4	WASHER 0.37 LK ZN REG	
23	AG550493	2	WASHER 0.25 LK ZN REG	
24	AG550507	4	WASHER 0.25 FL ZN REG TYPE-B	
25	AG550612	2	NUT 0.25-20NC HEX ZN REG	
26	AG550825	4	NUT 0.37-16NC HEX ZN REG	
27	AG551007	4	WASHER 0.37 FL ZN REG TYPE-B	
28	AG561246	2	BOLT 0.25-20NCX 3.25 G5 ZN HHD	
29	AG561630	4	CLAMP 2.28-2.59HOSE VOSS-250SS	
30	AG562064	4	BOLT 0.25-20NCX 1.00 SS HHD	
31	AG562073	4	WASHER 0.37 FL SS REG TYPE-B	
32	AG562074	4	WASHER 0.31 FL SS REG TYPE-B	

VALVE-BALL,2.00FP FLG,ELEC

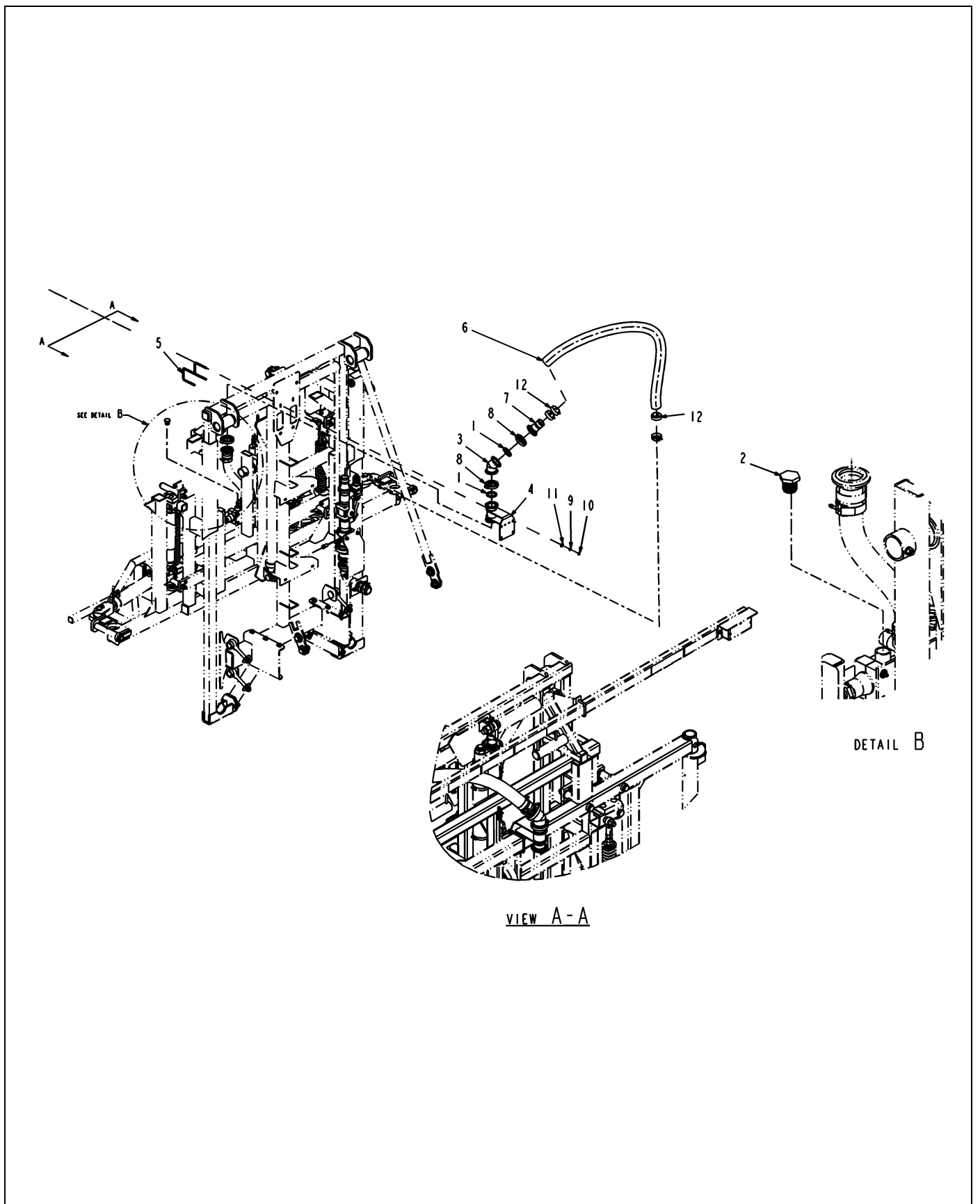


121956-A.tif

VALVE-BALL,2.00FP FLG,ELEC

ITEM	PART #	QTY	DESCRIPTION	COMMENTS
1	AG057764	-	CLAMP 3 IN MANIFOLD	
2	AG121959	-	ACTUATOR-000-60-Y-9	[A]
3	AG121960	-	KIT-REPAIR,ORING/SEATS,VLV,2.0	
4	AG121961	-	CAP-END,2.00FP FLG	
5	AG121962	-	BOLT-MTG,ACTUATOR/VALVE,EH2	
	FOOTNOTE [A]		CIRCUIT BOARD IS AG061258	
	FOOTNOTE		VALVE ONLY IS [727468]	

SYS INSTL-W/O BOOM CLEANOUT

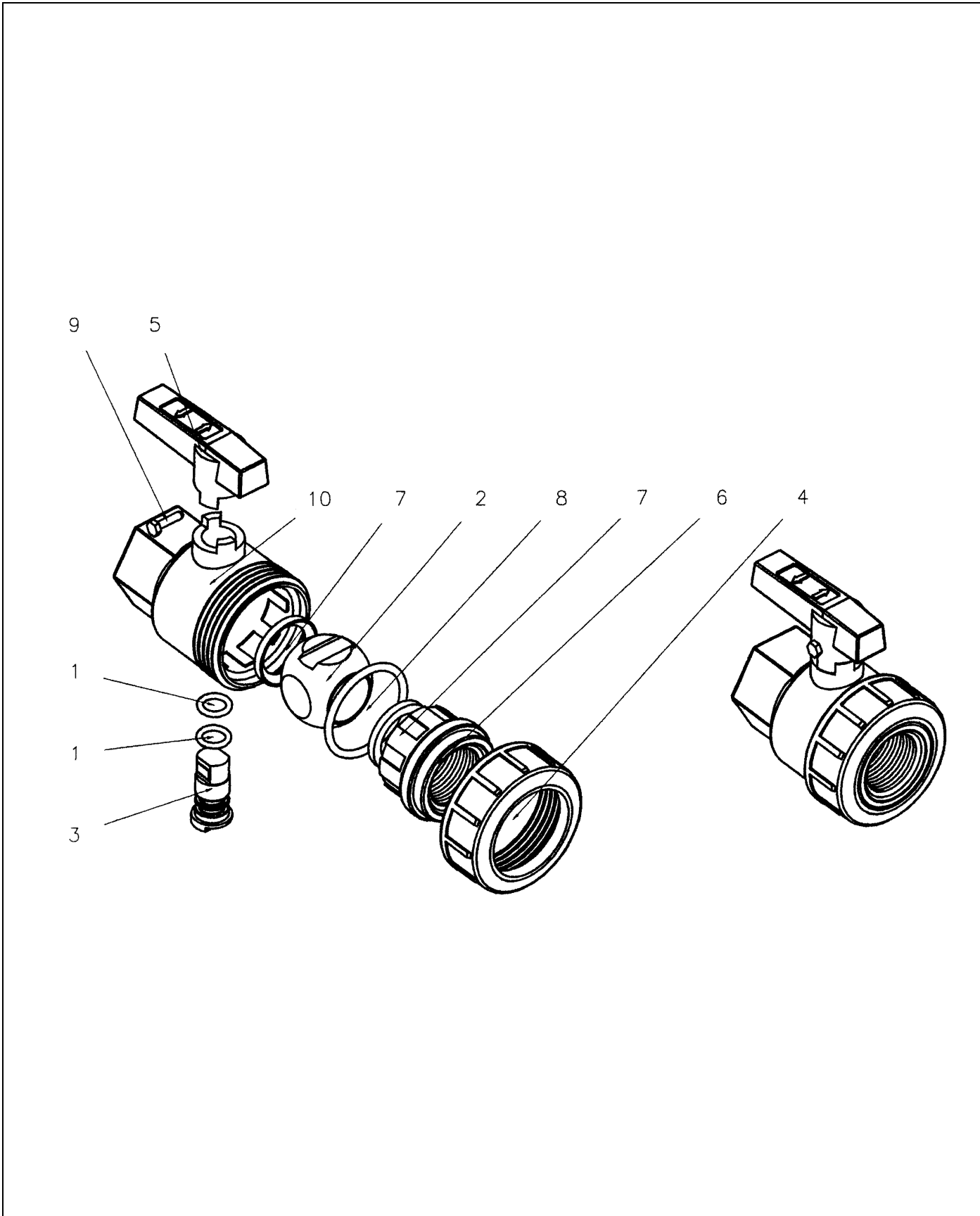


122016-05-M915.TIF

SYS INSTL-W/O BOOM CLEANOUT

ITEM	PART #	QTY	DESCRIPTION	COMMENTS
1	AG000773	2	GASKET 2.00 EPDM	
2	AG051134	1	PLUG-PIPE,HEX,0.75NPT,PP	
3	AG059565	1	ELBOW 2.00FP FLANGE 45D	
4	AG131680	1	BRKT WLDMT-MTG,2.00X2.00 FLG	SEE PAGE 4-54
5	AG230314	2	U-BOLT 3.00 X 4.0 SQ	
6	AG511722	-	HOSE-2.00,WIRE BRAID,EPDM [BULK: 5.250 FT]	
7	AG522894	1	CONN-2.00 FLG X2.00 HOSE BARB	
8	AG522895	2	CLAMP-WORM SCREW,2.00,SS	
9	AG550191	4	WASHER 0.37 LK ZN REG	
10	AG550825	4	NUT 0.37-16NC HEX ZN REG	
11	AG551007	4	WASHER 0.37 FL ZN REG TYPE-B	
12	AG561630	4	CLAMP 2.28-2.59HOSE VOSS-250SS	

VALVE 1.00 NPT BALL UNION POLY

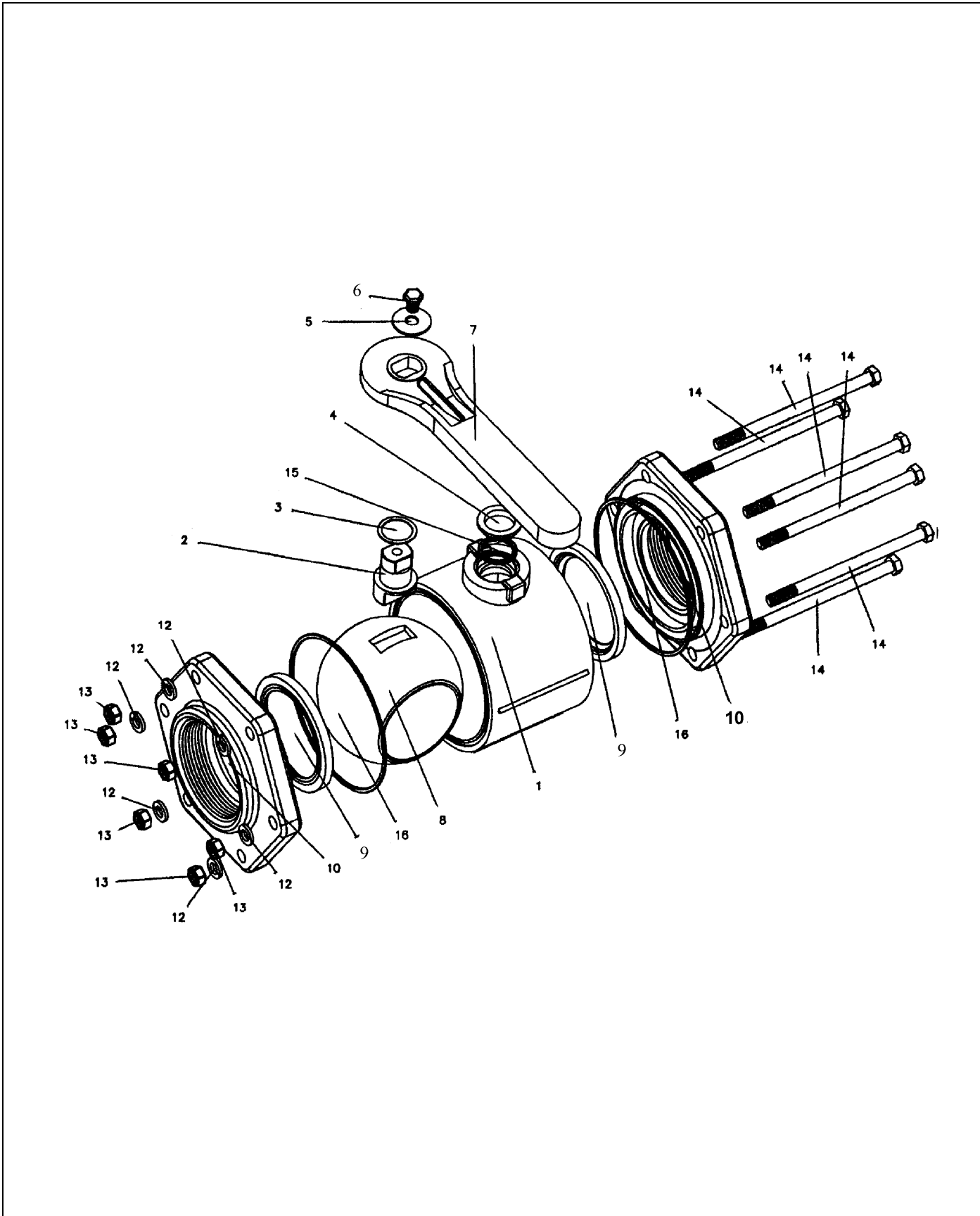


050206-A.TIF

VALVE 1.00 NPT BALL UNION POLY

ITEM	PART #	QTY	DESCRIPTION	COMMENTS
1	AG050524	2	O RING UNION STEM 1.00 (EPDM)	
2	AG050526	1	BALL VALVE 1.00 UNION	
3	AG050522	1	STEM 1.00 UNION	
4	AG050521	1	CAP 1.00 IN UNION END	
5	AG050523	1	HANDLE 1.00 UNION	
6	AG050527	1	END PLATE 1.00 UNION	
7	AG050528	2	SEAL 1.00 UNION VALVE	
8	AG050474	1	O RING	
9	NS	-	NON-SERVICEABLE PART	
10	AG050525	1	BODY 1.00 UNION VALVE	

VLV BALL 3.00 POLY FF

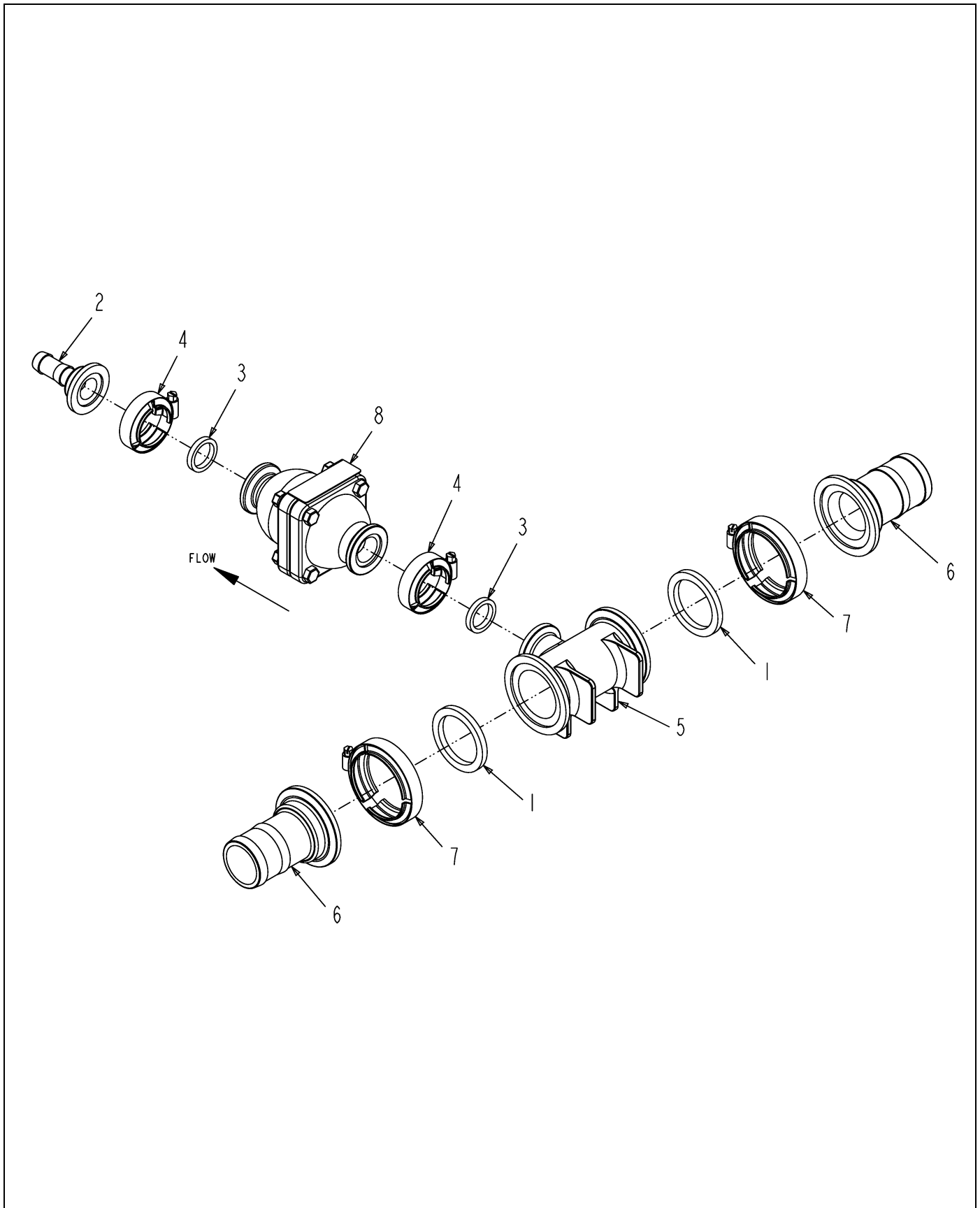


005492.tif

VLV BALL 3.00 POLY FF

ITEM	PART #	QTY	DESCRIPTION	COMMENTS
1	AG007566	1	BODY 3.00 FF VALVE	
2	AG000795	1	STEM V25151	
3	AG054488	1	THRUST WASHER 3 IN	
4	AG000801	1	BUSHING UPPER OR LOWER STEM	
5	AG330729	1	WASHER	
6	AG332403	1	BOLT/HANDLE 3/8 X 1/2 SS	
7	AG000796	1	HANDLE 2&3	
8	AG007568	1	BALL 3.00 FF VALVE	
9	AG005662	2	SEAT 3 IN	
10	AG007558	1	END PLATE	
12	AG054234	6	BODY LOCKWASHER 3/8	
13	AG054235	6	BODY NUT 3/8-16SS	
14	AG057341	6	BOLT-BODY .38X65-3.00FP	
15	AG000803	1	O-RING VITON	
16	AG007474	2	BODY O RING 3 IN VALVE	

TEE ASM-MANG,220X100,RLF VALVE

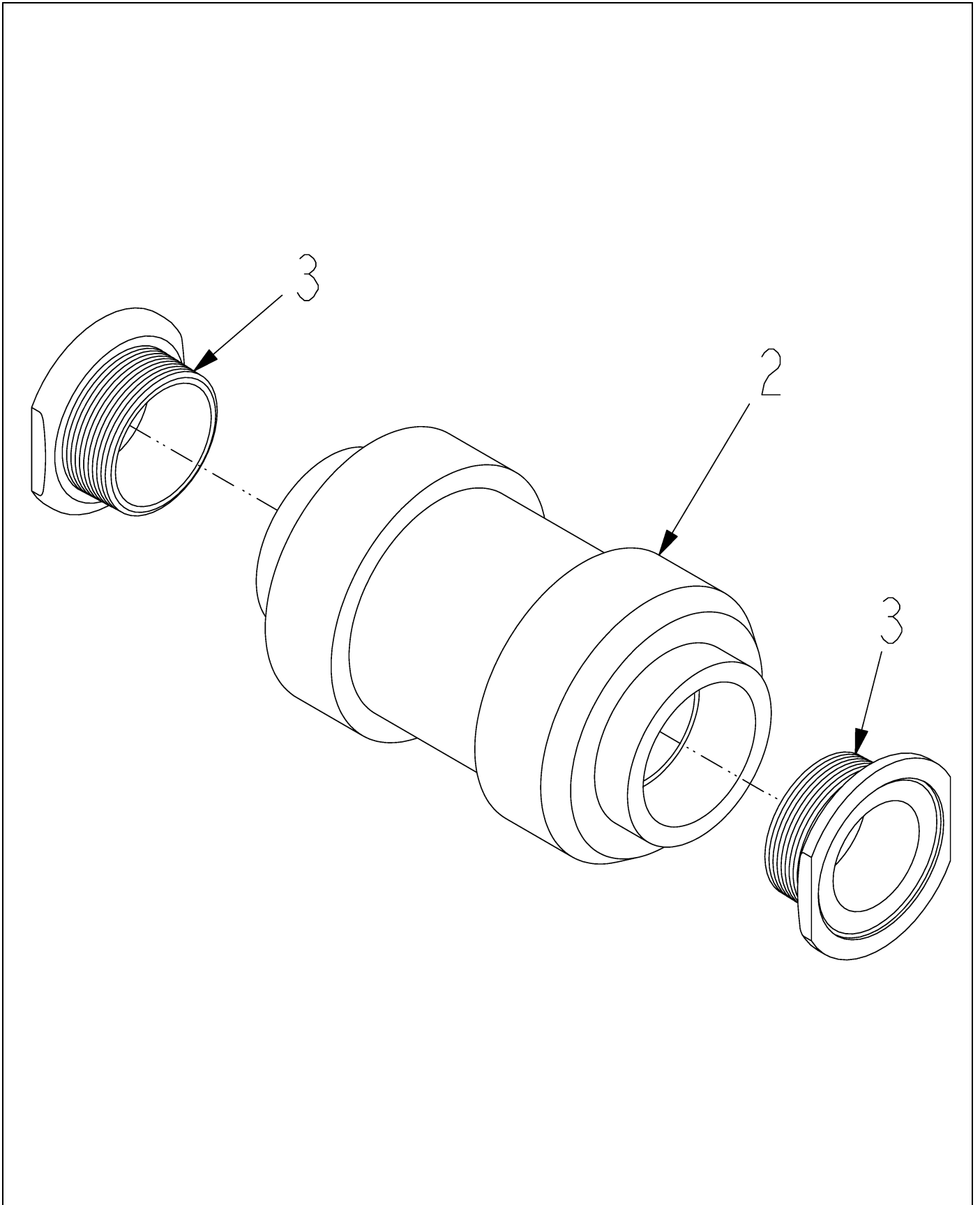


134343-A.TIF

TEE ASM-MANG,220X100,RLF VALVE

ITEM	PART #	QTY	DESCRIPTION	COMMENTS
1	AG000773	2	GASKET 2.00 EPDM	
2	AG056270	1	CONNECTOR-1.00FLANGE X.75BARB	
3	AG056275	2	GASKET 1.00 EPDM MANIFOLD	
4	AG056778	2	CLAMP 1.00	
5	AG134357	1	TEE-220FLG X 100FLF X 220FLG	
6	AG522894	2	CONN-2.00 FLG X2.00 HOSE BARB	
7	AG522895	2	CLAMP-WORM SCREW,2.00,SS	
8	AG727427	1	VALVE-RLF,PRESS,150PSI,1FLX1FL	

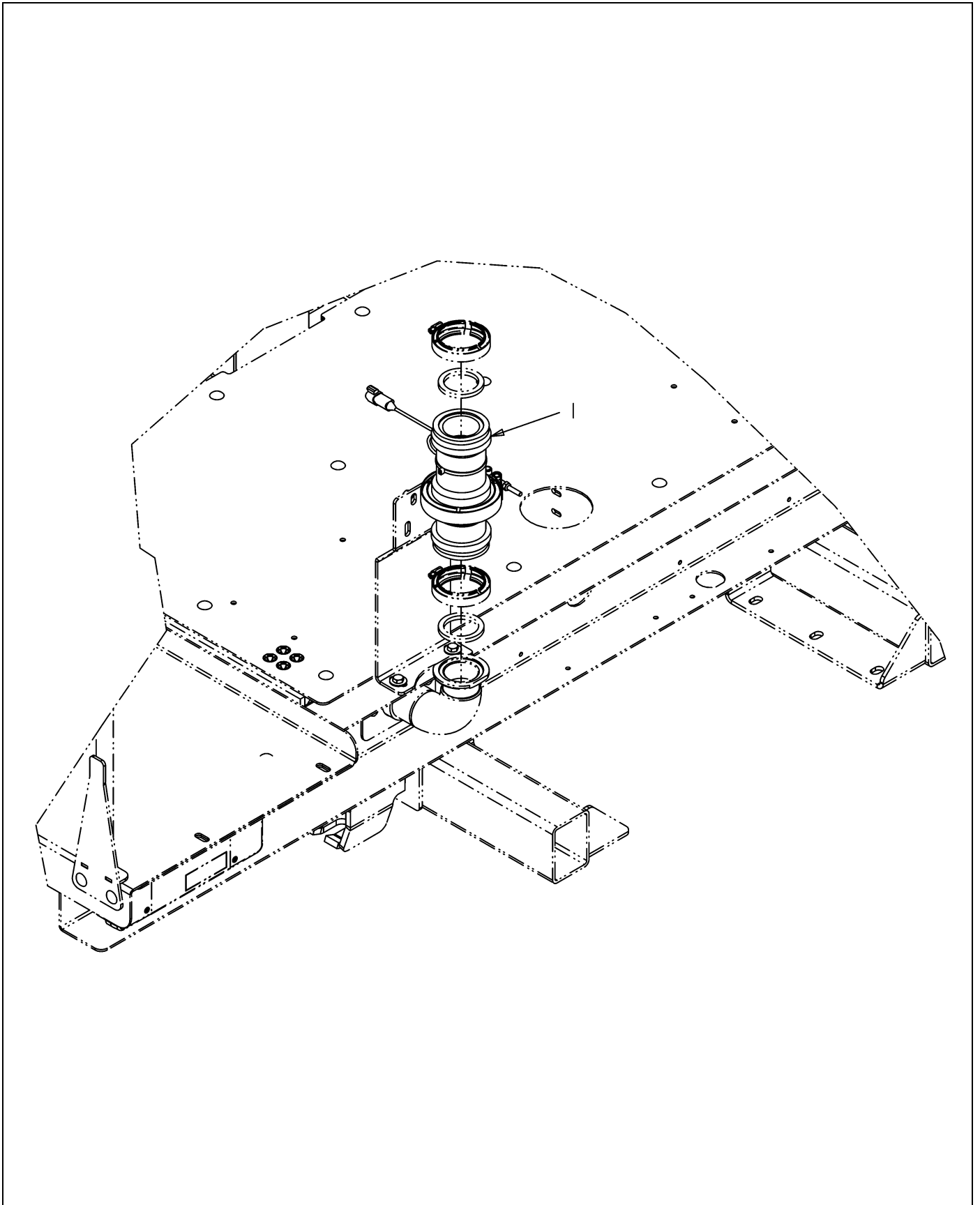
VALVE ASM-CHECK,2.00 FP FLG



123996-B.TIF

VALVE ASM-CHECK,2.00 FP FLG

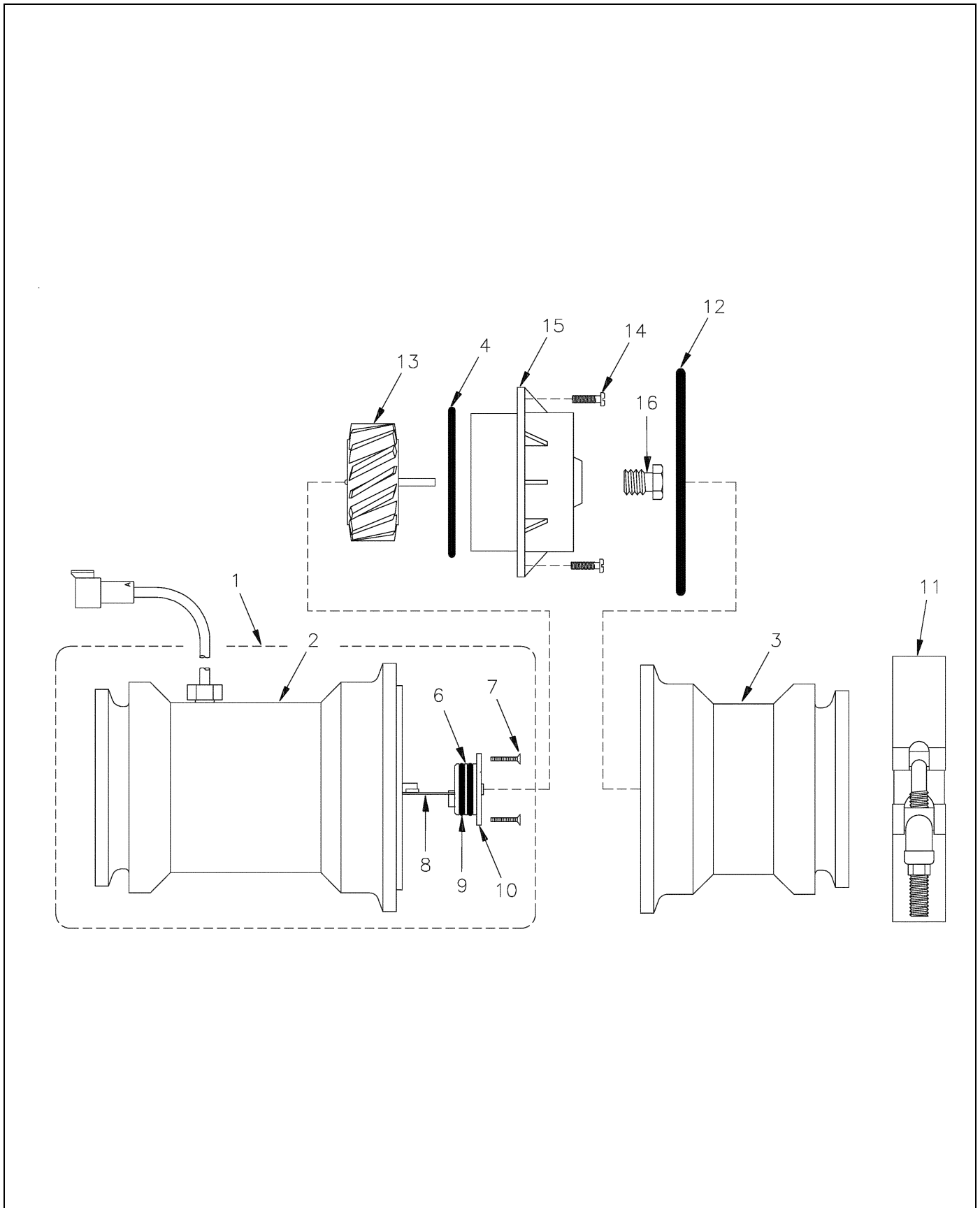
ITEM	PART #	QTY	DESCRIPTION	COMMENTS
1	AG129187	AR	PIPE SEALANT-FLEX BLACK	
2	AG522699	1	VALVE-CHECK,2.00NPT,150PSI	
3	AG523524	2	ADPTR-2.0FLG,FPX2.0MPT,316SS	



135909-01-M399-.TIF

FLOWMETER INSTL-2.00,8/10/12X4

ITEM	PART #	QTY	DESCRIPTION	COMMENTS
1	AG523166	1	FLOWMETER-2.00,140PPG,12V	SEE PAGE 2-28

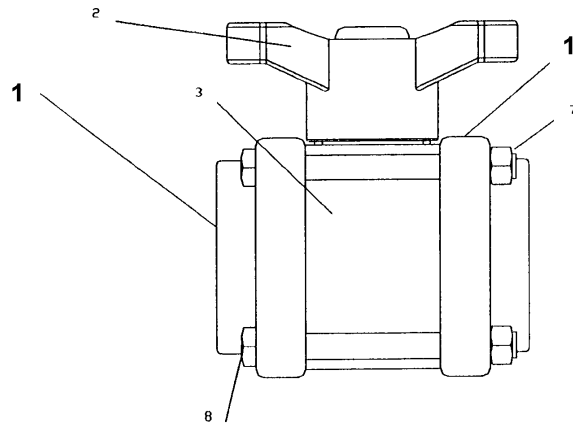
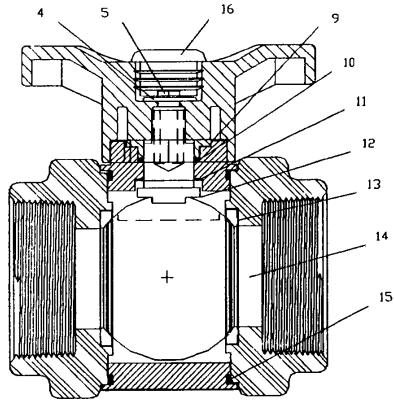


523166.TIF

FLOWMETER-2.00,140PPG,12V

ITEM	PART #	QTY	DESCRIPTION	COMMENTS
1	AG060085	1	OUTLET HSG ASM	
2	AG059106	1	OUTLET HOUSING	
3	AG714982	1	HUB HOUSING	
4	AG714998	1	O RING VITON	
6	AG060056	1	NUT-JAM,LH 523481	
7	AG714986	1	SCREW 2-56X0.50 FLAT HD SS	
8	AG724790	1	PC ASM	
9	AG714988	1	O RING VITON	
10	AG714989	1	END BEARING ASM	
11	AG714990	1	RETAINER CLAMP	
12	AG714991	1	O RING VITON	
13	AG714992	1	TURBINE RFM100	
14	AG714993	1	SCREW 6-20X0.50 PAN HD SS	
15	AG714994	1	TURBINE HUB/BRG ASM	
16	AG714995	1	TURBINE STUD ASM	

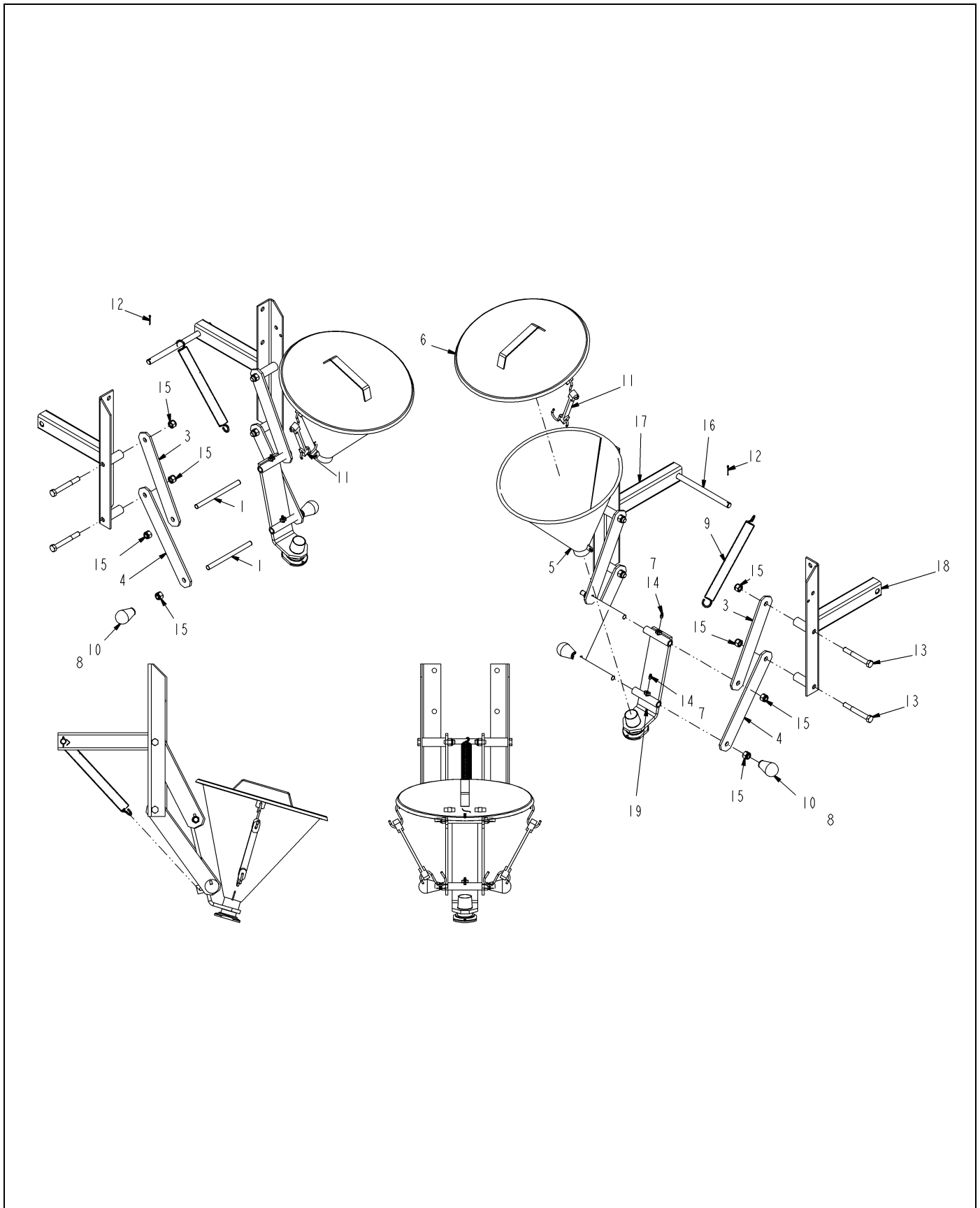
VALVE-BALL, 1.50NPT, T HANDLE



524024.TIF

VALVE-BALL,1.50NPT,T HANDLE

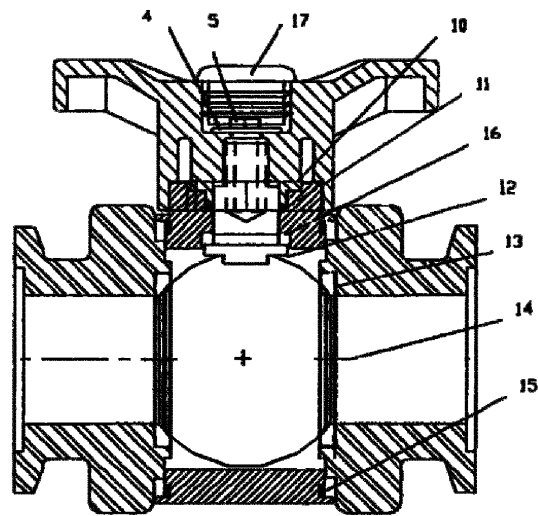
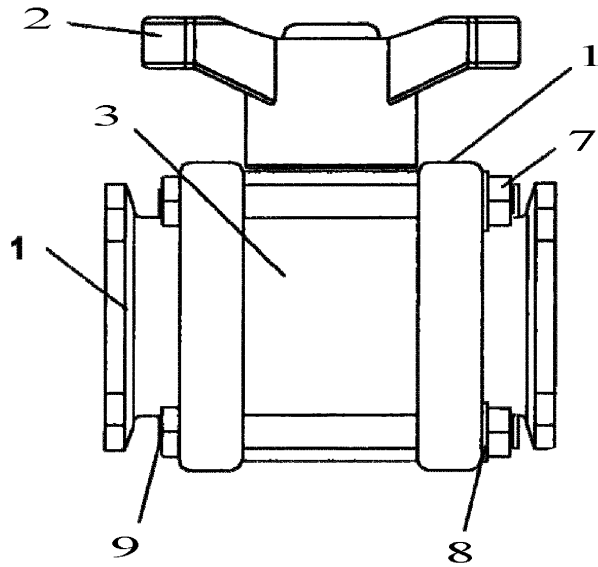
ITEM	PART #	QTY	DESCRIPTION	COMMENTS
1	AG006577	1	END PLATE 1.50	
2	AG055120	1	HANDLE-T,3WAY VALVE	
3	AG007489	1	BODY 1.50 IN	
4	AG056115	1	WASHER-HANDLE	
5	AG056114	1	BOLT-HANDLE,1/4X1/2	
7	AG054235	4	BODY NUT 3/8-16SS	
8	AG054233	4	BODY BOLT 3/8-16X4	
9	AG000789	1	BUSHING UPPER STEM	
10	AG000793	1	O-RING VITON	
11	AG000790	1	BUSHING LOWER STEM V20160	
12	AG000780	1	STEM	
13	AG006573	2	BALL SEAT	
15	AG007470	2	BODY O RING 1.25 1.50&2.00VLV	
16	AG059020	1	CAP-HANDLE	



328960-05-R276-.TIF

EDUCTOR ASM-CHEMICAL,SS

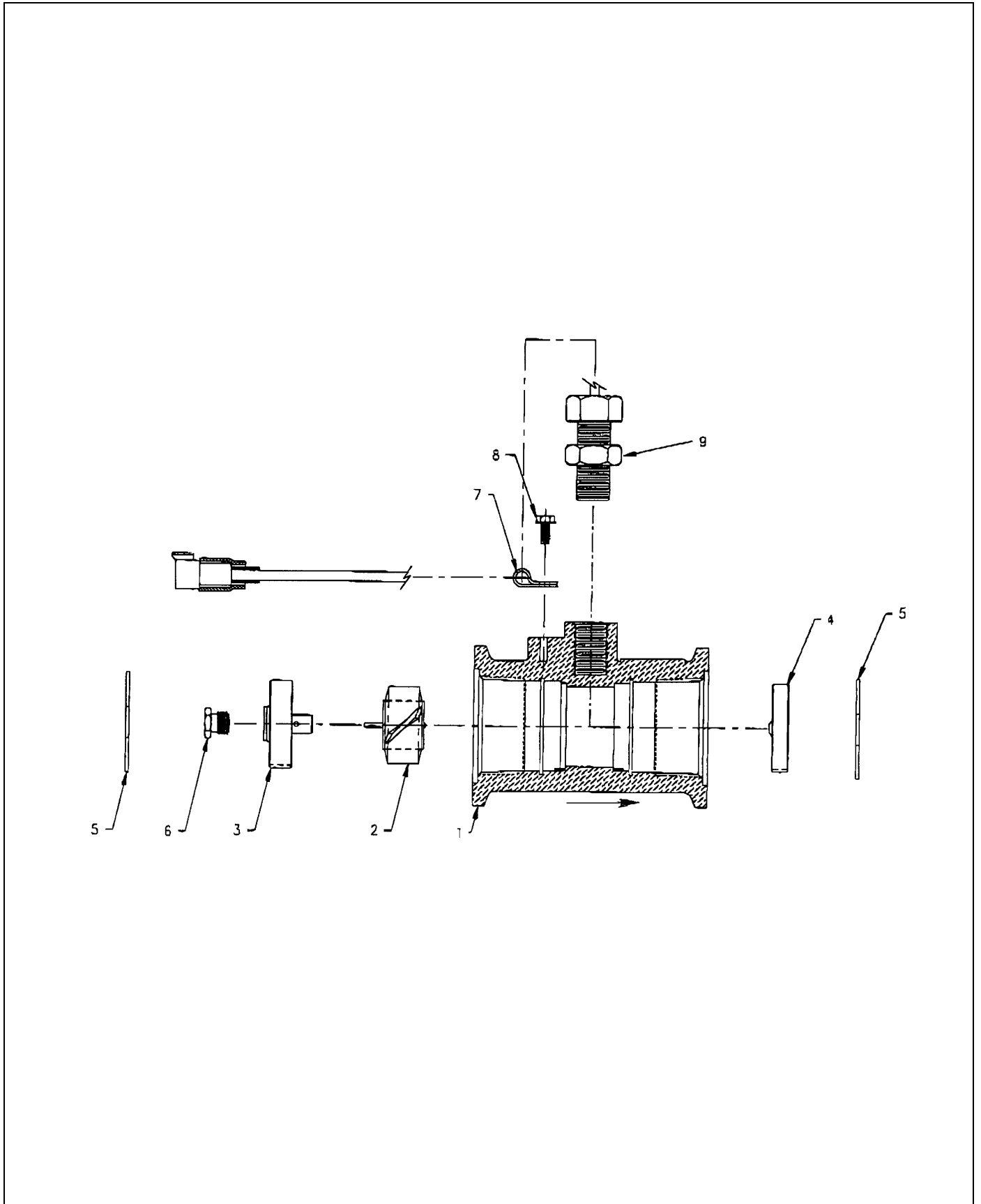
ITEM	PART #	QTY	DESCRIPTION	COMMENTS
1	AG108316	2	ROD, PIVOT INDUCTOR	
2	AG129187	AR	PIPE SEALANT-FLEX BLACK	
3	228098D	2	PLATE,ARM UPPER	
4	228099D	2	PLATE,ARM LOWER	
5	AG309261	1	FUNNEL WLDT EDUCTOR	
6	309263D	1	COVER WLDMT EDUCTOR	
7	AG511099	AR	GREASE-MULTI PURPOSE LITH.	
8	AG512885	AR	LOCTITE ADHESIVE SEALANT BLUE	
9	515995D	1	SPRING EXTENSION 1.12OD X12.00	
10	AG517536	2	KNOB, THREADED	
11	AG517994	2	STRAP 8 INCH TIE DOWN	
12	AG552321	2	PIN COTTER 0.09X1.00 ZN (D)	
13	AG552410	4	BOLT 0.50-13NCX 4.00 G5 ZN HHD	
14	AG561892	2	FITTING LUBE STR 0.25UNF	
15	AG601152	8	NUT 0.50-13NC HEX ZN REG NY	
16	516475D1	1	PIN MOUNT SPRING EDUCTOR	
17	516476D1	1	MOUNT WELDMENT EDUCTOR LH	
18	516477D1	1	MOUNT WLDT EDUCTOR RH	
19	519134D1	1	PLATE-MOUNT WELDMENT	



523923.TIF

VALVE-2.0 FLG,T HANDLE,PP

ITEM	PART #	QTY	DESCRIPTION	COMMENTS
1	AG727654	1	PLATE/END	
2	AG055120	1	HANDLE-T,3WAY VALVE	
3	AG007489	1	BODY 1.50 IN	
7	AG054235	4	BODY NUT 3/8-16SS	
8	AG054234	4	BODY LOCKWASHER 3/8	
9	AG054233	4	BODY BOLT 3/8-16X4	
10	AG000789	1	BUSHING UPPER STEM	
11	AG000793	1	O-RING VITON	
12	AG000780	1	STEM	
13	AG006573	2	BALL SEAT	
14	AG007580	1	BALL	
15	AG007470	2	BODY O RING 1.25 1.50&2.00VLV	
16	AG000790	1	BUSHING LOWER STEM V20160	
17	AG059020	1	CAP-HANDLE	

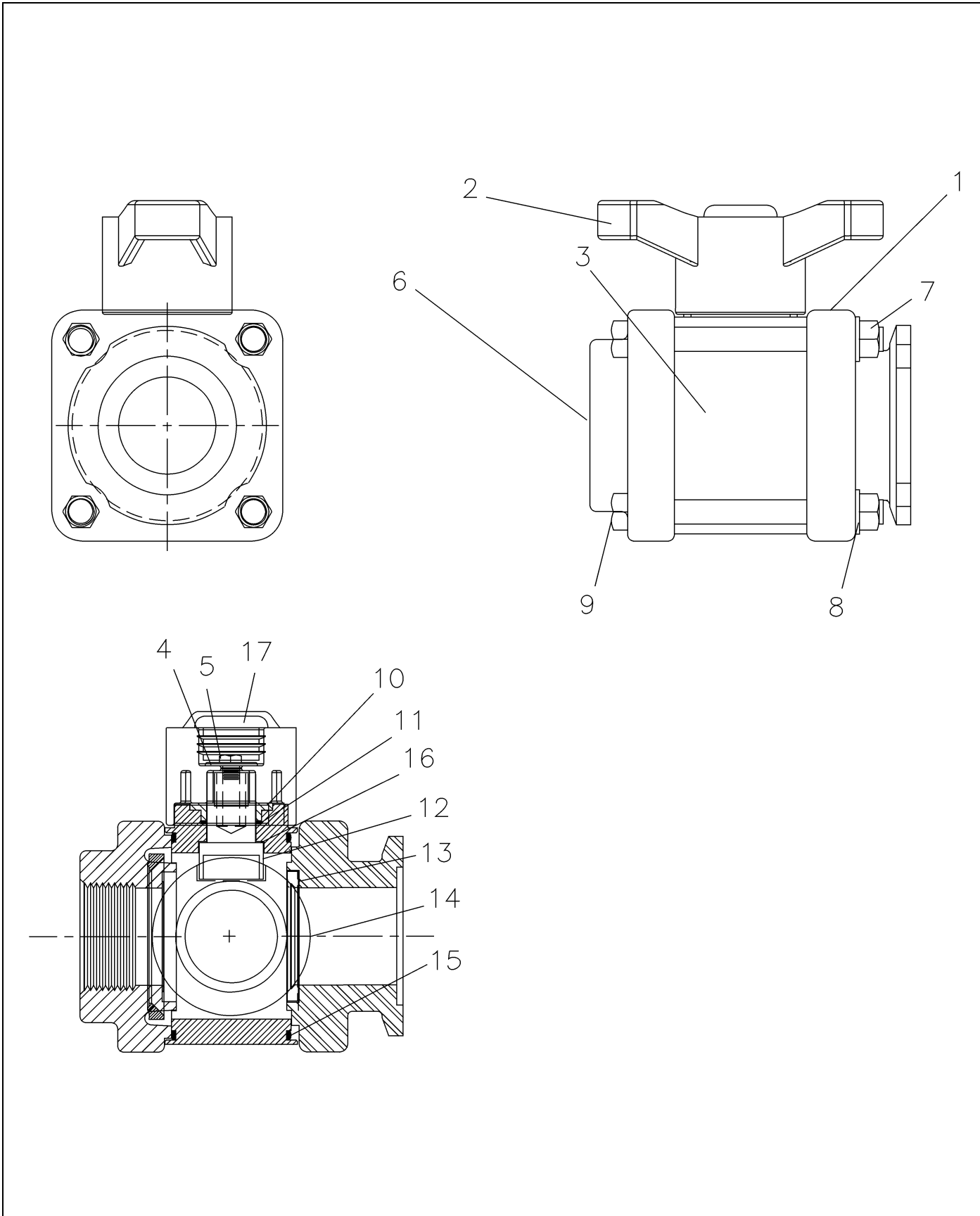


128771.TIF

FLWMTR-2.00SP FLG,RFM60P,12V

ITEM	PART #	QTY	DESCRIPTION	COMMENTS
1	AG132375	1	BODY, RFM60P	
2	AG723606	1	ROTOR/MAGNET ASSEMBLY	
3	AG722268	1	HUB/BEARING ASM	
4	AG724335	1	HUB ASM RFM60	
5	AG722270	1	RING-RETAINING INTERNAL	
6	AG709339	1	TURBINE STUD W/BRG	
7	AG132376	1	CLAMP, CABLE	
8	AG132377	1	SCREW	
9	AG132378	1	SENSOR	

VALVE-2.0FLGX1.25NPT,T HANDLE



524015.TIF

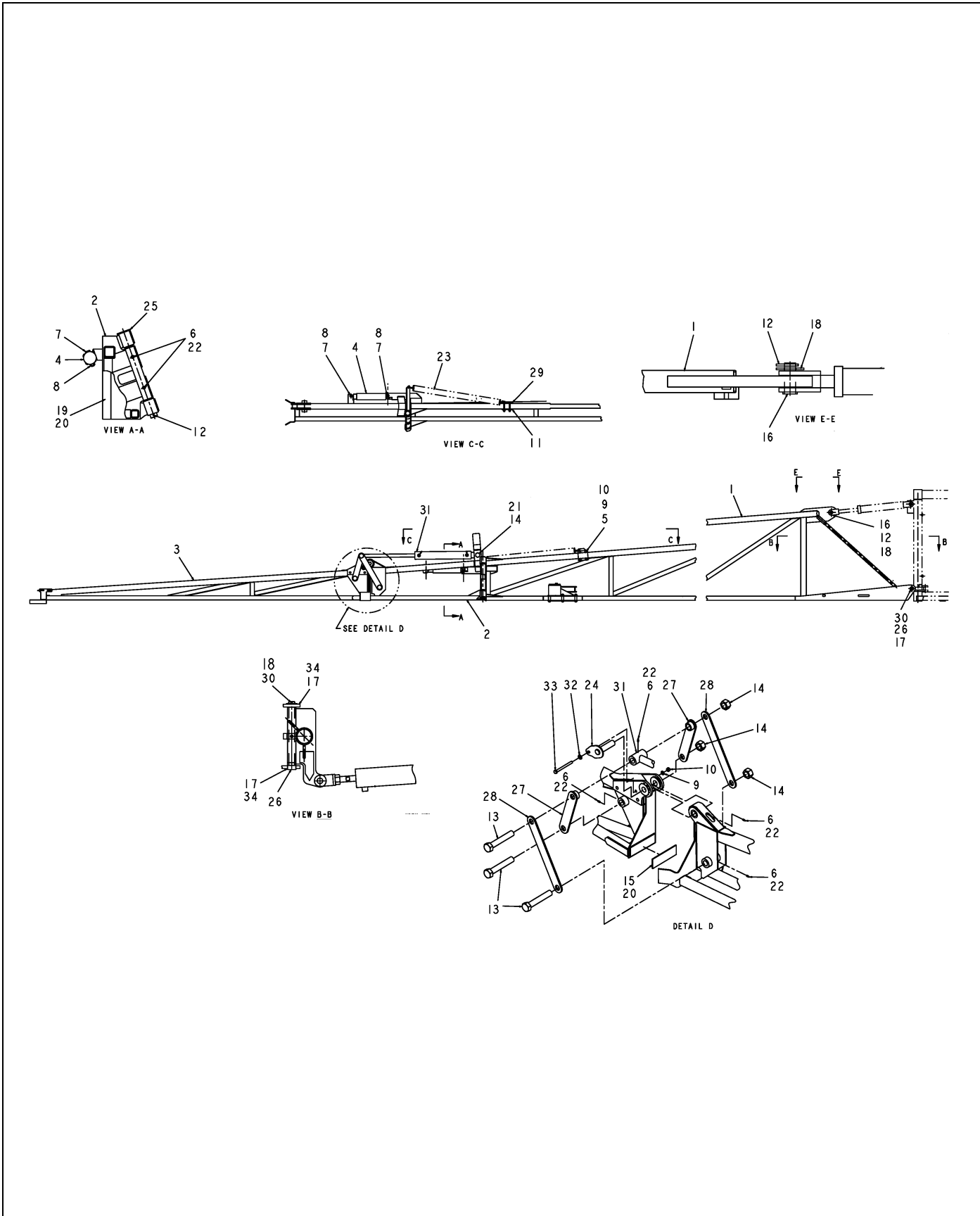
VALVE-2.0FLGX1.25NPT,T HANDLE

ITEM	PART #	QTY	DESCRIPTION	COMMENTS
1	AG727654	1	PLATE/END	
2	AG055120	1	HANDLE-T,3WAY VALVE	
3	AG007489	1	BODY 1.50 IN	
4	AG056115	1	WASHER-HANDLE	
5	AG056114	1	BOLT-HANDLE, 1/4X1/2	
6	AG007579	1	END PLATE	
7	AG054235	4	BODY NUT 3/8-16SS	
8	AG054234	4	BODY LOCKWASHER 3/8	
9	AG054233	4	BODY BOLT 3/8-16X4	
10	AG000789	1	BUSHING UPPER STEM	
11	AG000793	1	O-RING VITON	
12	AG000780	1	STEM	
13	AG006573	2	BALL SEAT	
14	AG007580	1	BALL	
15	AG007470	2	BODY O RING 1.25 1.50&2.00VLV	
16	AG000790	1	BUSHING LOWER STEM V20160	
17	AG059020	1	CAP-HANDLE	

BOOM ASM-80FT,LH	3-1
BOOM ASM-80FT,RH	3-2
BOOM ASM-90FT,RH	3-3
BOOM ASM-90FT,RH	3-4
BOOM ASM-90FT,RH	3-5
BOOM ASM-90FT,RH	3-6
BOOM ASM-90FT,LH	3-7
BOOM ASM-90FT,LH	3-8
BOOM ASM-90FT,LH	3-9
BOOM ASM-90FT,LH	3-10
BOOM ASM-100FT,RH	3-11
BOOM ASM-100FT,RH	3-12
BOOM ASM-100FT,RH	3-13
BOOM ASM-100FT,RH	3-14
BOOM ASM-100FT,LH	3-15
BOOM ASM-100FT,LH	3-16
BOOM ASM-100FT,LH	3-17
BOOM ASM-100FT,LH	3-18
BOOM ASM-120FT,RH	3-19
BOOM ASM-120FT,RH	3-20
BOOM ASM-120FT,RH	3-21
BOOM ASM-120FT,RH	3-22
BOOM ASM-120FT,LH	3-23
BOOM ASM-120FT,LH	3-24
BOOM ASM-120FT,LH	3-25
BOOM ASM-120FT,LH	3-26
BOOM TREE INSTL-CTR,80/90/100	3-27
BOOM TREE ASM-CTR,80/90/100FT	3-28
BOOM ASM-CTR,80/90/100FT	3-29
BOOM ASM-CTR,80/90/100FT	3-30
TREE ASM-BOOM,CTR,2.50 SLIDE	3-31
BOOM TREE ASM-CTR,120FT	3-32
TREE ASM-BOOM,CENTER,3.00 SL	3-33
BOOM ASM-CENTER,120	3-34
BOOM ASM-CENTER,120	3-35
TREE INSTL-BOOM,CTR,5.00 SL	3-36
BOOM TREE ASM-CTR,5.00 SL	3-37
BOOM TREE ASM-CTR,5.00 SL	3-38
BOOM ASM-CTR SECT,HD,120	3-39
BOOM ASM-CTR SECT,HD,120	3-40
TREE ASM-BOOM,CENTER,5.00 SL	3-41
TIP ASM-FOLD BACK,BM,120FT,RH	3-42
TIP ASM-FOLD BACK,BM,120FT,RH	3-43
TIP ASM-FOLD BACK,BM,120FT,LH	3-44
TIP ASM-FOLD BACK,BM,120FT,LH	3-45
CAM ASM-BREAKAWAY,120FT	3-46
CAM ASM-BOOM BRKWAY	3-47
BOOM TREE ASM-SUB,5.00 SLIDE	3-48
TIP ASM-FOLD BACK,BM,120FT,LH	3-49
TIP ASM-FOLD BACK,BM,120FT,LH	3-50
TIP ASM-FOLD BACK,BM,120FT,RH	3-51

TIP ASM-FOLD BACK,BM,120FT,RH	3-52
PLATE ASM-HD,WEAR PAD	3-53
HOOK INSTL-BOOM,LIQ SYS,1254C	3-54
LINKAGE ASM-CYL,HYD,INNER/MID	3-55
REST INSTL-FLD BACK,90/100,RH	3-56
REST INSTL-FLD BACK,90/100,LH	3-57
CHAIN WLDMT-PVT PLATE,22 LINK	3-58
CHAIN WLDMT-PVT PLATE,5 LINK	3-59
REST INSTL-BM,FLD BACK,120,LH	3-60
REST INSTL-BM,FLD BACK,120,RH	3-61
RETAINER INSTL-BM,4.00 TUBE	3-62
BUMPER INSTL-FOLD BACK,120,LH	3-63
BUMPER INSTL-FOLD BACK,120,RH	3-64
BOOMREST INSTL-120" BM,8/10X4	3-65
BOOMREST INSTL-120" BM,SS/12X4	3-66

BOOM ASM-80FT,LH

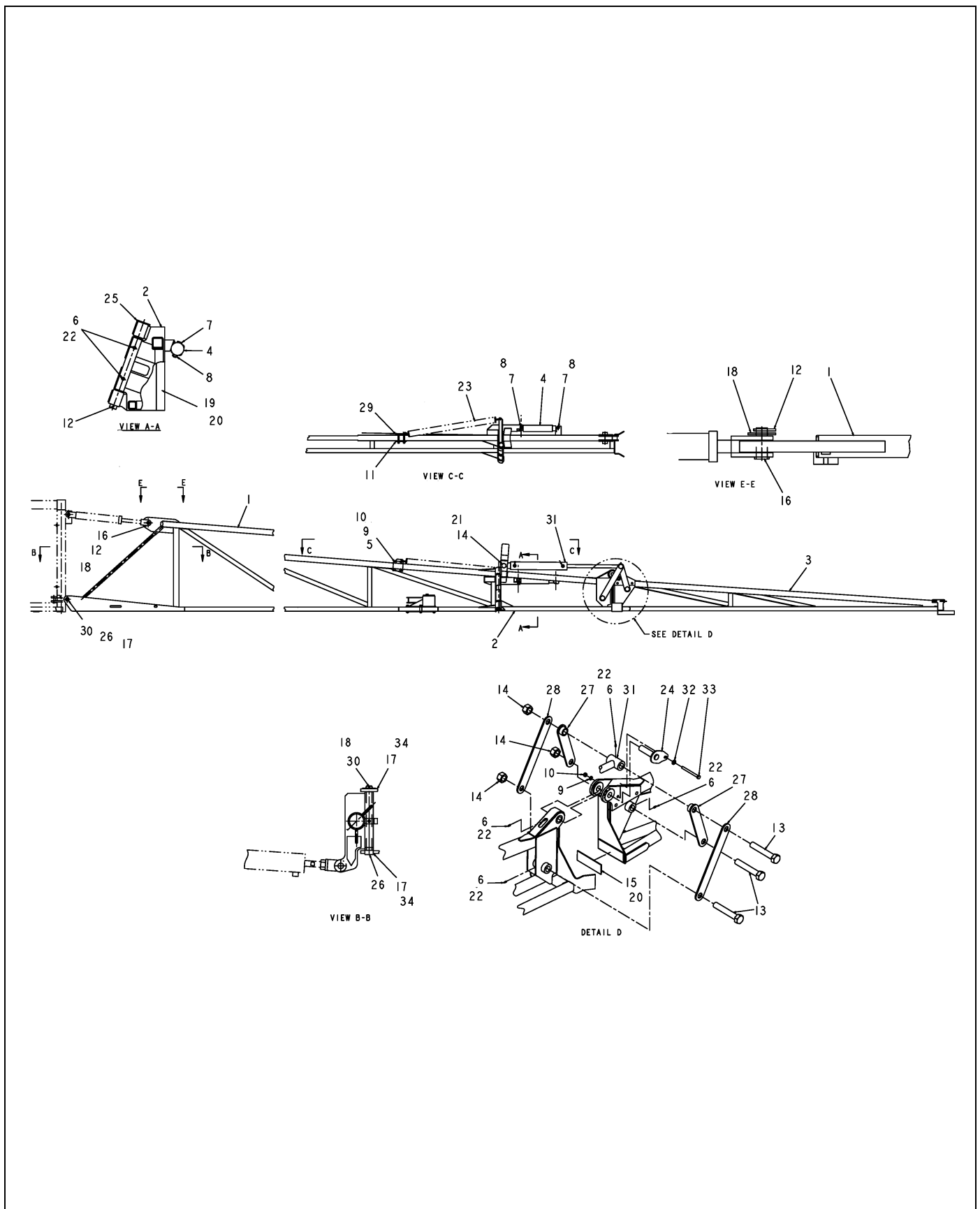


512789D1-01-N562-.TIF

BOOM ASM-80FT,LH

ITEM	PART #	QTY	DESCRIPTION	COMMENTS
1	AG504007	1	BOOM WLDMT-INNER,80FT,LH	
2	AG503511	1	BOOM WLDMT-MIDDLE,LH,80FT	
3	AG503469	1	TIP WLDMT-BOOM,LH,80FT	
4	AG515274	1	SHOCK ABSORBER W/BOOT	[A]
5	AG561072	4	BOLT 0.37-16NCX 3.00 G5 ZN HHD	
6	AG561892	6	FITTING LUBE STR 0.25UNF	
7	AG551392	2	BOLT 0.50-13NCX 2.75 G5 ZN HHD	
8	AG601152	2	NUT 0.50-13NC HEX ZN REG NY	
9	AG550191	5	WASHER 0.37 LK ZN REG	
10	AG550825	5	NUT 0.37-16NC HEX ZN REG	
11	AG228237	1	PLATE CLAMP	
12	AG515352	1	PIN COTTER 0.18X2.00 SS	
13	AG561667	3	BOLT 1.00- 8NCX 7.00 G5 ZN HHD	
14	AG604185	4	NUT 1.00-08NC HEX ZN HVY NY	
15	AG260590	1	PAD-RUBBER,BM TIP,,12THK	
16	AG602132	-	PIN CLEVIS 1.00X2.62 ZN	[B]
17	AG523653	2	BUSHING-1.00 ID X 1.25 OD	
18	AG551856	2	WASHER 1.00 FL ZN SAE TYPE-A	
19	AG233057	1	MATTING PAD	
20	AG512346	AR	3M 1300 YELLOW ADHESIVE (GAL)	
21	AG010220	1	BOLT 1.00- 8NCX 4.00 G5 PL HHD	
22	AG511099	AR	GREASE-MULTI PURPOSE LITH.	
23	AG517793	1	SPRING EXTENSION 2 IN ODX 25.75	
24	AG260631	1	PIN WLDMT-PIVOT,BOOM TIP	
25	AG229828	1	PIN WLDMT PIVOT HD	
26	AG308378	1	WLDMT BOOM PIN	
27	AG260592	2	BAR WLDMT-LINK,SHORT	
28	AG229905	2	BAR LINK LONG	
29	AG228236	1	PLATE MOUNT SPRING	
30	AG516106	1	PIN LYNCH 0.31X1.68	
31	512791D1	1	CYLINDER ASM-BOOM TIP FOLD	SEE PAGE 5-44
32	AG550981	1	WASHER 0.37 FL ZN NAR TYPE-B	
33	AG561698	1	BOLT 0.37-16NCX 4.25 G5 ZN HHD	
34	AG522980	AR	LOCTITE-603,GREEN	
	FOOTNOTE [A]		AG609376 - BOOT ONLY	
	FOOTNOTE [B]		GREASABLE PIN IS 519637	

BOOM ASM-80FT,RH

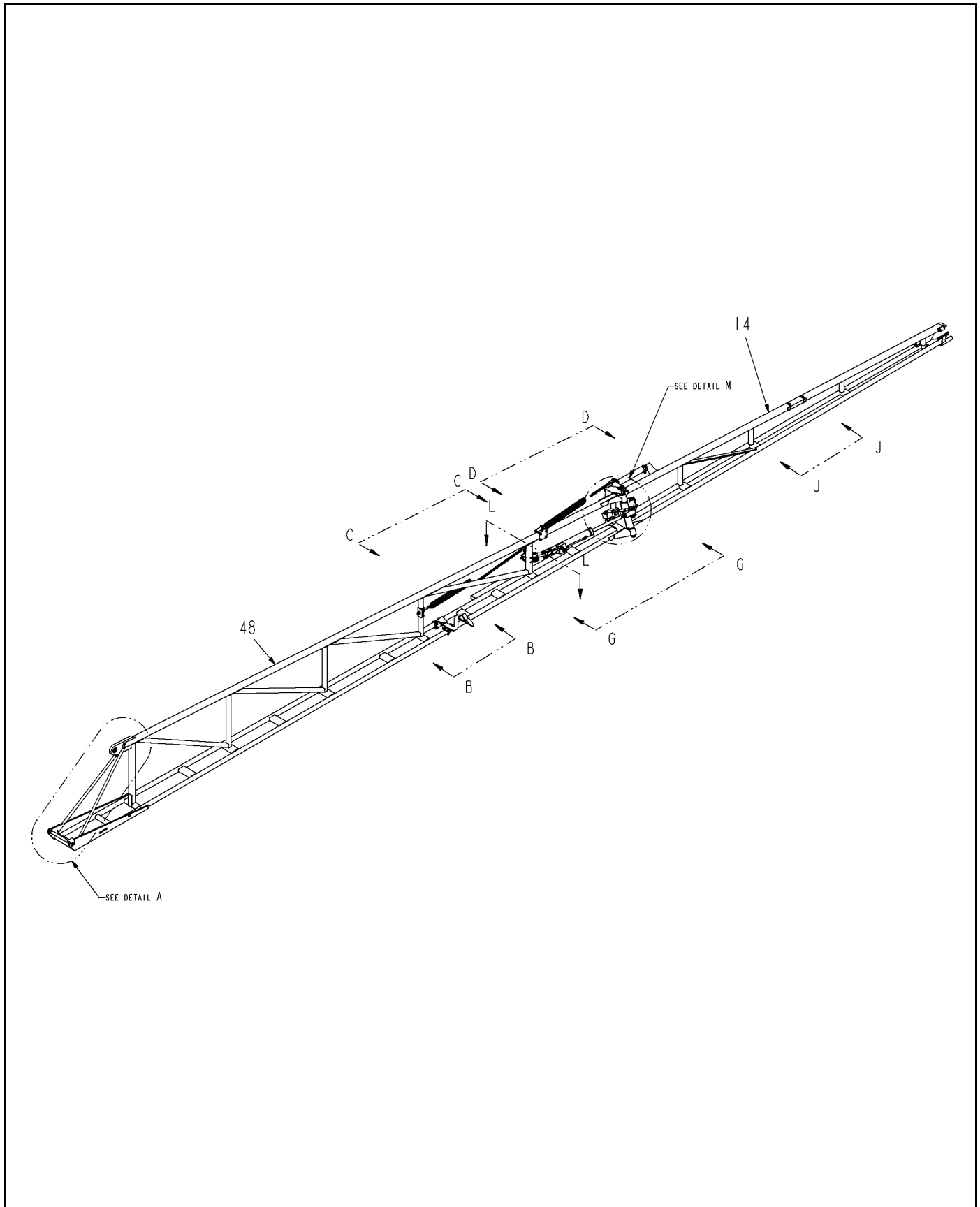


512790D1-01-N562-.TIF

BOOM ASM-80FT,RH

ITEM	PART #	QTY	DESCRIPTION	COMMENTS
1	AG504006	1	BOOM WLDMT-INNER,80FT,RH	
2	AG503510	1	BOOM WLDMT-MIDDLE,RH,80FT	
3	AG503468	1	TIP WLDMT-BOOM,RH,80FT	
4	AG515274	1	SHOCK ABSORBER W/BOOT	[A]
5	AG561072	4	BOLT 0.37-16NCX 3.00 G5 ZN HHD	
6	AG561892	6	FITTING LUBE STR 0.25UNF	
7	AG551392	2	BOLT 0.50-13NCX 2.75 G5 ZN HHD	
8	AG601152	2	NUT 0.50-13NC HEX ZN REG NY	
9	AG550191	5	WASHER 0.37 LK ZN REG	
10	AG550825	5	NUT 0.37-16NC HEX ZN REG	
11	AG228237	1	PLATE CLAMP	
12	AG515352	1	PIN COTTER 0.18X2.00 SS	
13	AG561667	3	BOLT 1.00- 8NCX 7.00 G5 ZN HHD	
14	AG604185	4	NUT 1.00-08NC HEX ZN HVY NY	
15	AG260590	1	PAD-RUBBER,BM TIP,,12THK	
16	AG602132	-	PIN CLEVIS 1.00X2.62 ZN	[B]
17	AG523653	2	BUSHING-1.00 ID X 1.25 OD	
18	AG551856	2	WASHER 1.00 FL ZN SAE TYPE-A	
19	AG233057	1	MATTING PAD	
20	AG512346	AR	3M 1300 YELLOW ADHESIVE (GAL)	
21	AG010220	1	BOLT 1.00- 8NCX 4.00 G5 PL HHD	
22	AG511099	AR	GREASE-MULTI PURPOSE LITH.	
23	AG517793	1	SPRING EXTENSION 2 IN ODX 25.75	
24	AG260631	1	PIN WLDMT-PIVOT,BOOM TIP	
25	AG229828	1	PIN WLDMT PIVOT HD	
26	AG308378	1	WLDMT BOOM PIN	
27	AG260592	2	BAR WLDMT-LINK,SHORT	
28	AG229905	2	BAR LINK LONG	
29	AG228236	1	PLATE MOUNT SPRING	
30	AG516106	1	PIN LYNCH 0.31X1.68	
31	512791D1	1	CYLINDER ASM-BOOM TIP FOLD	SEE PAGE 5-44
32	AG550981	1	WASHER 0.37 FL ZN NAR TYPE-B	
33	AG561698	1	BOLT 0.37-16NCX 4.25 G5 ZN HHD	
34	AG522980	AR	LOCTITE-603,GREEN	
	FOOTNOTE [A]		AG609376 - BOOT ONLY	
	FOOTNOTE [B]		GREASABLE PIN IS 519637	

BOOM ASM-90FT,RH

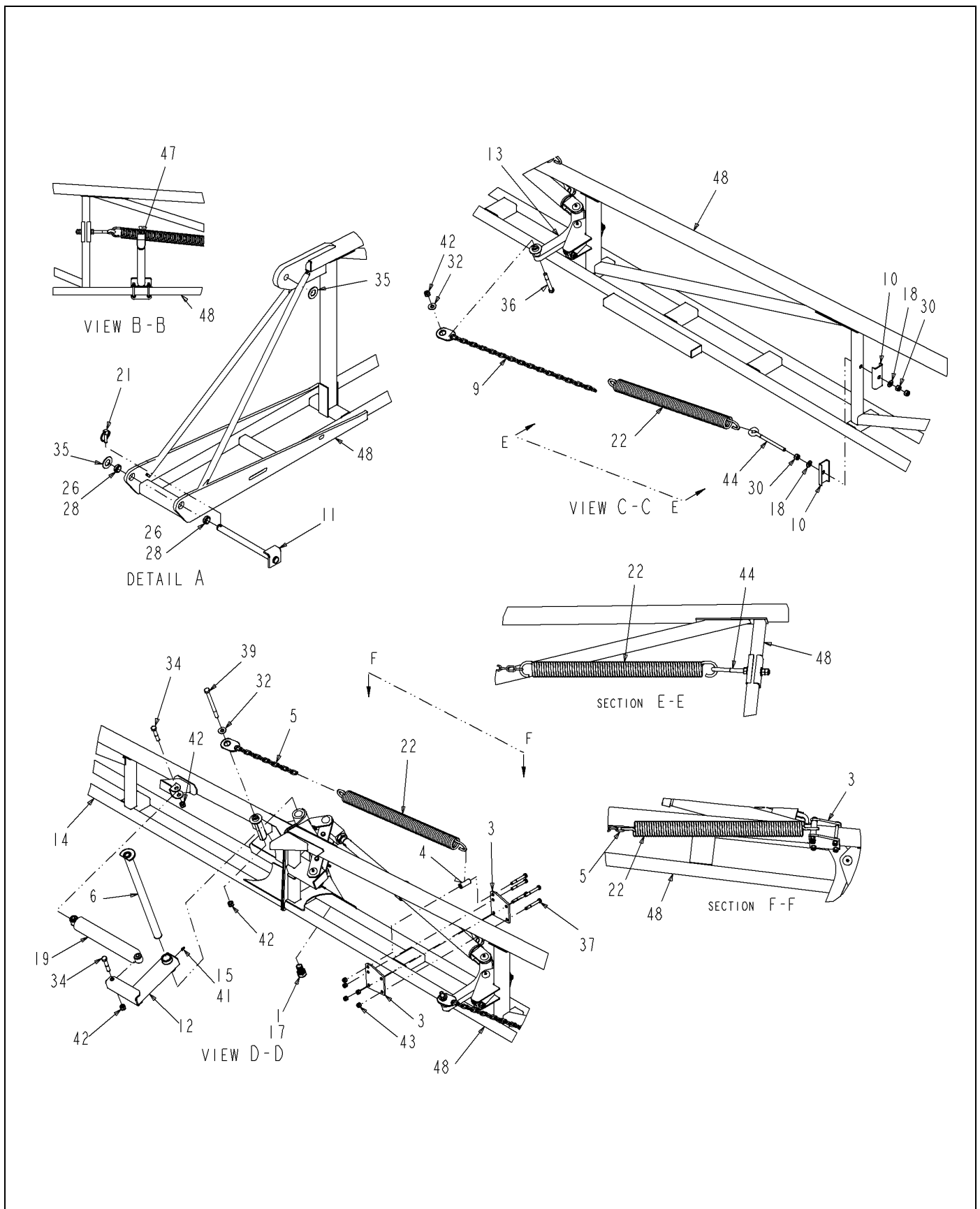


518864D1-01-R267-01.TIF

BOOM ASM-90FT,RH

ITEM	PART #	QTY	DESCRIPTION	COMMENTS
14	AG504542	1	BOOM WLDMT-BRKAWY,RH,90FT	
48	518860D1	1	BOOM WLDMT-INNER,90/100FT,RH	

BOOM ASM-90FT,RH

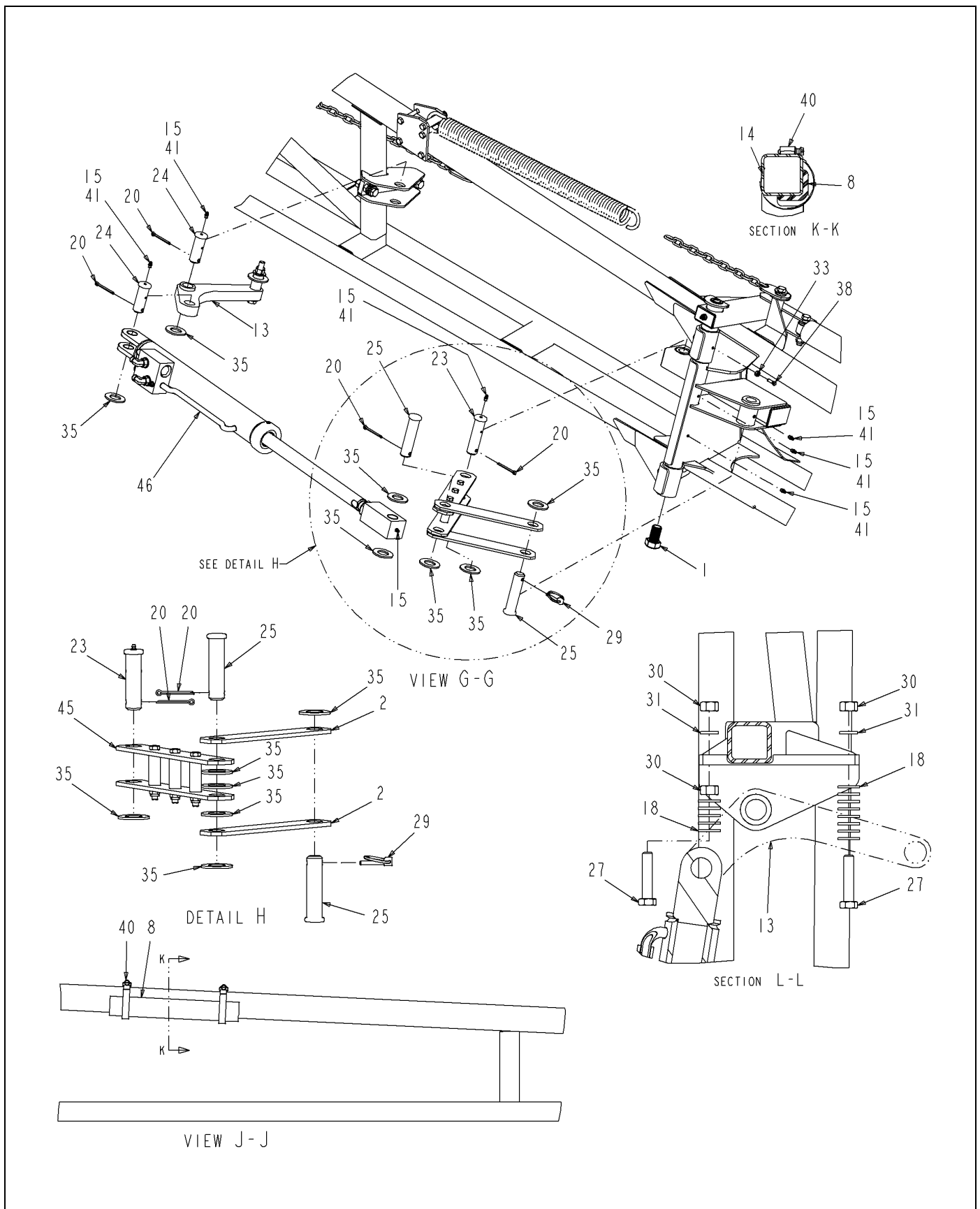


518864D1-01-R267-02.TIF

BOOM ASM-90FT,RH

ITEM	PART #	QTY	DESCRIPTION	COMMENTS
1	AG126884	1	BOLT-.88-9 X 1.50,G5,HHCS,Z/Y	
3	AG230237	2	PLATE MOUNT SPRING	
4	AG230238	1	TUBE SPACER	
5	AG230263	1	CHAIN BREAKAWAY WLDMT	
6	AG232241	1	PIN WELDMENT PIVOT	
9	AG262785	1	CHAIN WLDMT-PIVOT PLATE	
10	AG263053	2	PLATE-DBLR,BOOM	
11	AG308378	1	WLDMT BOOM PIN	
12	AG309923	1	MOUNT SHOCK WLDMT	
13	AG309966	1	PLATE PIVOT WLDMT RH	
14	AG504542	1	BOOM WLDMT-BRKAWY,RH,90FT	
15	AG511099	AR	GREASE-MULTI PURPOSE LITH.	
17	AG512885	AR	LOCTITE ADHESIVE SEALANT BLUE	
18	AG514554	15	WASHER 0.50 FL ZN SAE TYP-A G8	
19	AG515274	1	SHOCK ABSORBER W/BOOT	[A]
21	AG516106	1	PIN LYNCH 0.31X1.68	
22	AG517793	2	SPRING EXTENSION 2 IN ODX 25.75	
26	AG522980	AR	LOCTITE-603,GREEN	
28	AG523653	2	BUSHING-1.00 ID X 1.25 OD	
30	AG550124	6	NUT 0.50-13NC HEX ZN REG	
32	AG550353	2	WASHER 0.50 FL ZN REG TYPE-B	
34	AG551392	2	BOLT 0.50-13NCX 2.75 G5 ZN HHD	
35	AG551856	10	WASHER 1.00 FL ZN SAE TYPE-A	
36	AG552410	1	BOLT 0.50-13NCX 4.00 G5 ZN HHD	
37	AG561072	5	BOLT 0.37-16NCX 3.00 G5 ZN HHD	
39	AG561203	1	BOLT 0.50-13NCX 6.50 G5 ZN HHD	
41	AG561892	7	FITTING LUBE STR 0.25UNF	
42	AG601152	4	NUT 0.50-13NC HEX ZN REG NY	
43	AG601411	5	NUT 0.37-16NC HEX ZN REG NY	
44	6626401	1	BOLT-EYE	
47	513272D1	1	REST INSTL-FLD BACK,90/100,RH	SEE PAGE 3-56
48	518860D1	1	BOOM WLDMT-INNER,90/100FT,RH	
	FOOTNOTE [A]		AG609376 - BOOT ONLY	

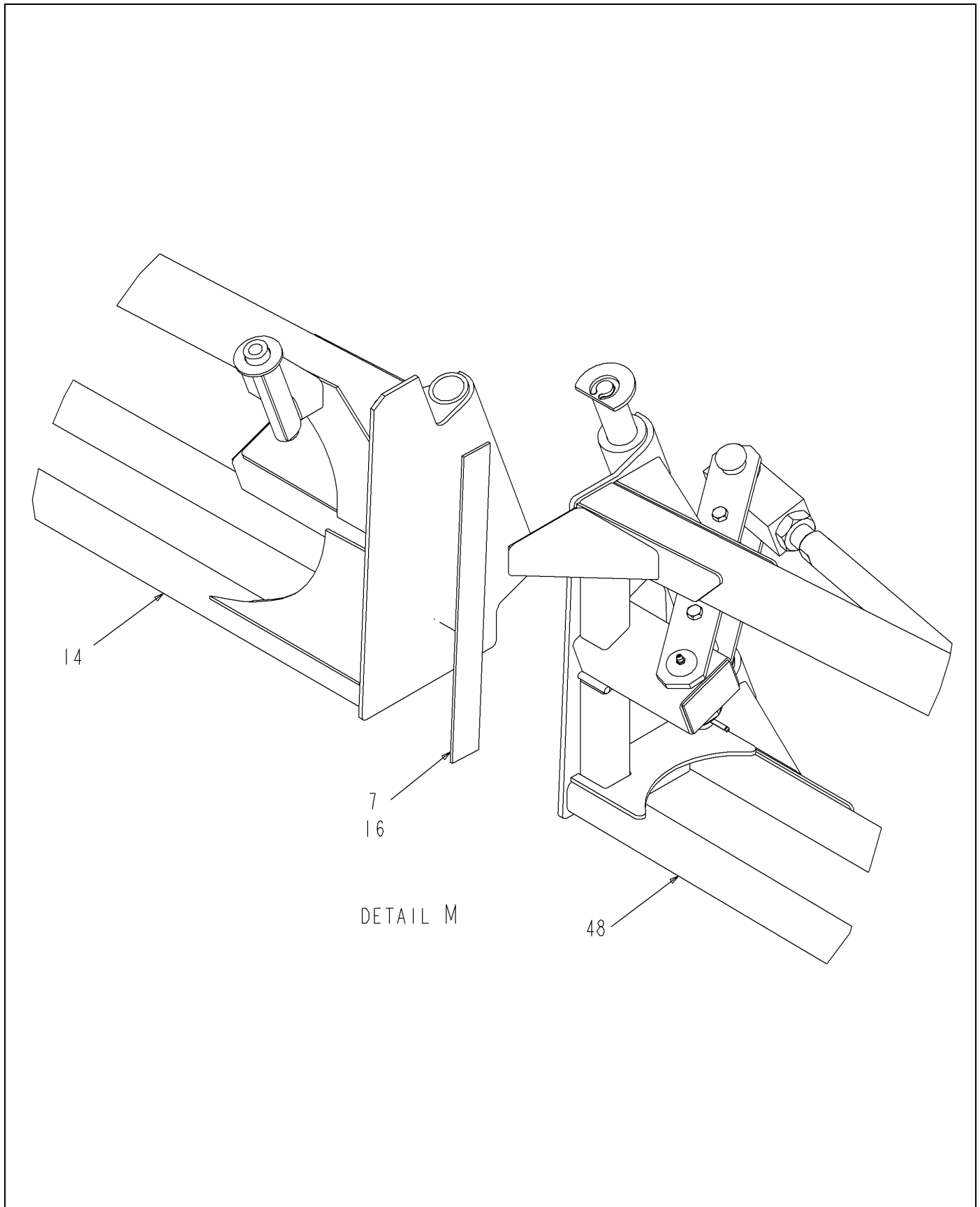
BOOM ASM-90FT,RH



518864D1-01-R267-03.TIF

BOOM ASM-90FT,RH

ITEM	PART #	QTY	DESCRIPTION	COMMENTS
1	AG126884	1	BOLT-.88-9 X 1.50,G5,HHCS,Z/Y	
2	AG230129	2	BAR LINK SHORT	
8	AG260770	1	ANGLE-WEAR,UHMW	
13	AG309966	1	PLATE PIVOT WLDMT RH	
14	AG504542	1	BOOM WLDMT-BRKAWY,RH,90FT	
15	AG511099	AR	GREASE-MULTI PURPOSE LITH.	
18	AG514554	15	WASHER 0.50 FL ZN SAE TYP-A G8	
20	AG515352	4	PIN COTTER 0.18X2.00 SS	
23	AG522056	1	PIN-CLEVIS,1.00 X 3.62	
24	AG522057	2	PIN-CLEVIS 1.00 X 2.69	
25	AG522058	2	PIN-CLEVIS 1.00 X4.00	
27	AG523563	2	BOLT-.50-13X2.25,G5,ZN,HHD,FT	
29	AG524255	1	PIN-LYNCH,.25X1.56,ZN	
30	AG550124	6	NUT 0.50-13NC HEX ZN REG	
31	AG550264	2	WASHER 0.50 LK ZN REG	
33	AG550612	1	NUT 0.25-20NC HEX ZN REG	
35	AG551856	10	WASHER 1.00 FL ZN SAE TYPE-A	
38	AG561078	1	SCREW .25-20X 0.75 SET PL CPSQ	
40	AG561233	2	CLAMP-HOSE,1.81X2.75,36HS	
41	AG561892	7	FITTING LUBE STR 0.25UNF	
45	506334D1	1	LINKAGE ASM-CYL,HYD,INNER/MID	SEE PAGE 3-55
46	512868D1	1	CYLINDER ASM-BOOM TIP FOLD	SEE PAGE 5-61

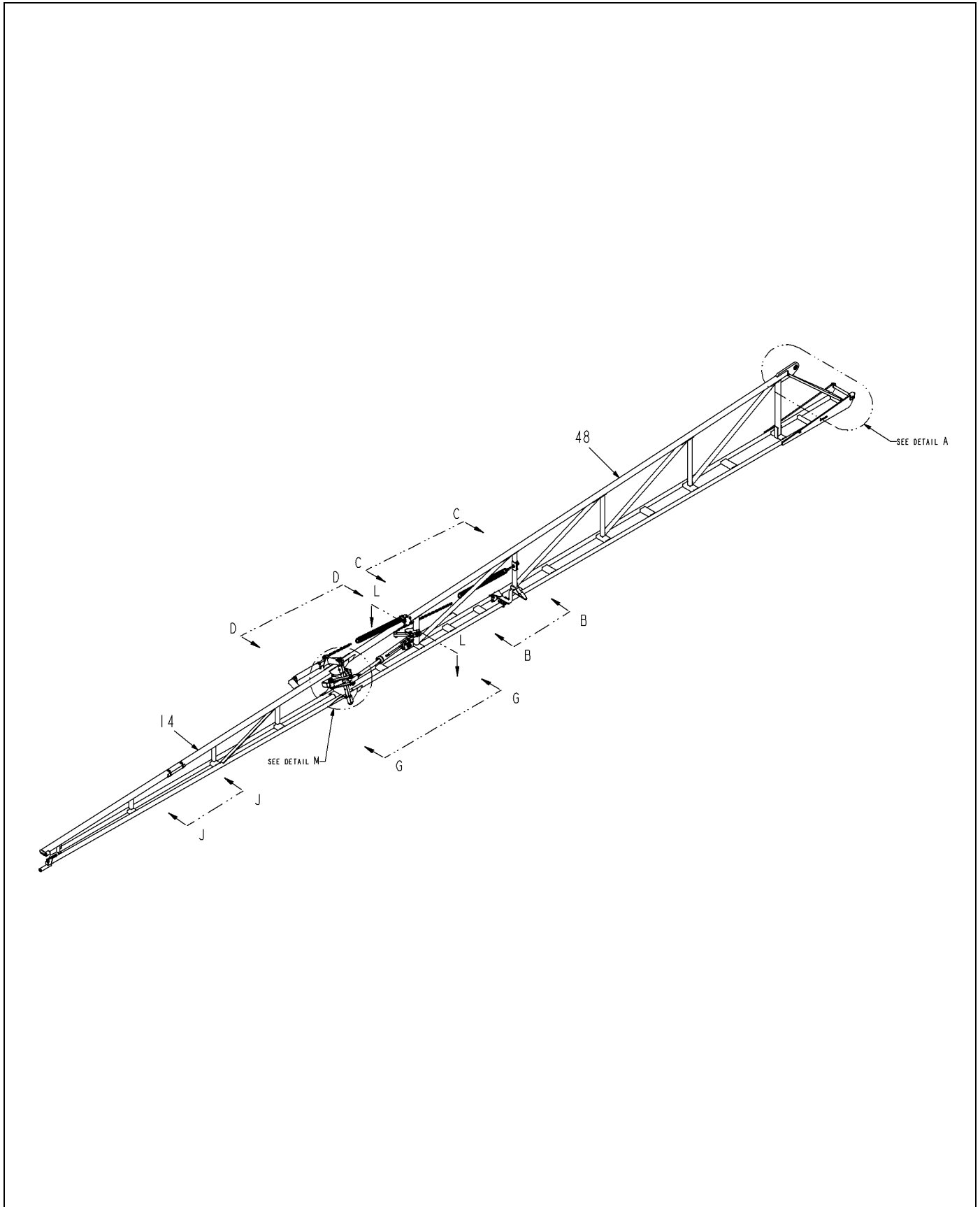


518864D1-01-R267-04.TIF

BOOM ASM-90FT,RH

ITEM	PART #	QTY	DESCRIPTION	COMMENTS
7	AG233057	1	MATTING PAD	
14	AG504542	1	BOOM WLDMT-BRKAWY,RH,90FT	
16	AG512346	AR	3M 1300 YELLOW ADHESIVE (GAL)	
48	518860D1	1	BOOM WLDMT-INNER,90/100FT,RH	

BOOM ASM-90FT,LH

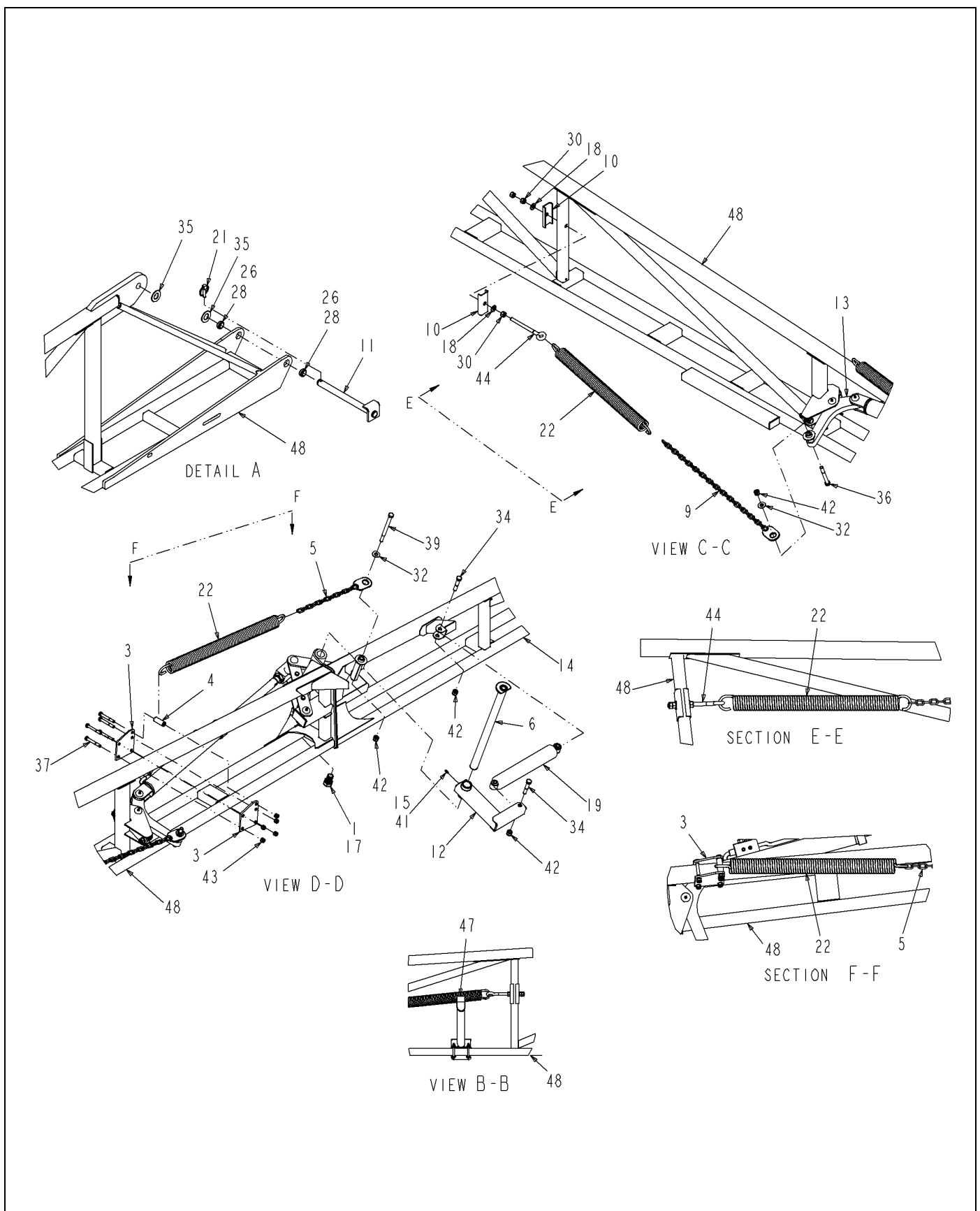


518865D1-01-R267-01.TIF

BOOM ASM-90FT,LH

ITEM	PART #	QTY	DESCRIPTION	COMMENTS
14	AG504543	1	BOOM WLDMT-BRKAWY,LH,90FT	
48	518861D1	1	BOOM WLDMT-INNER,90/100FT,LH	

BOOM ASM-90FT,LH

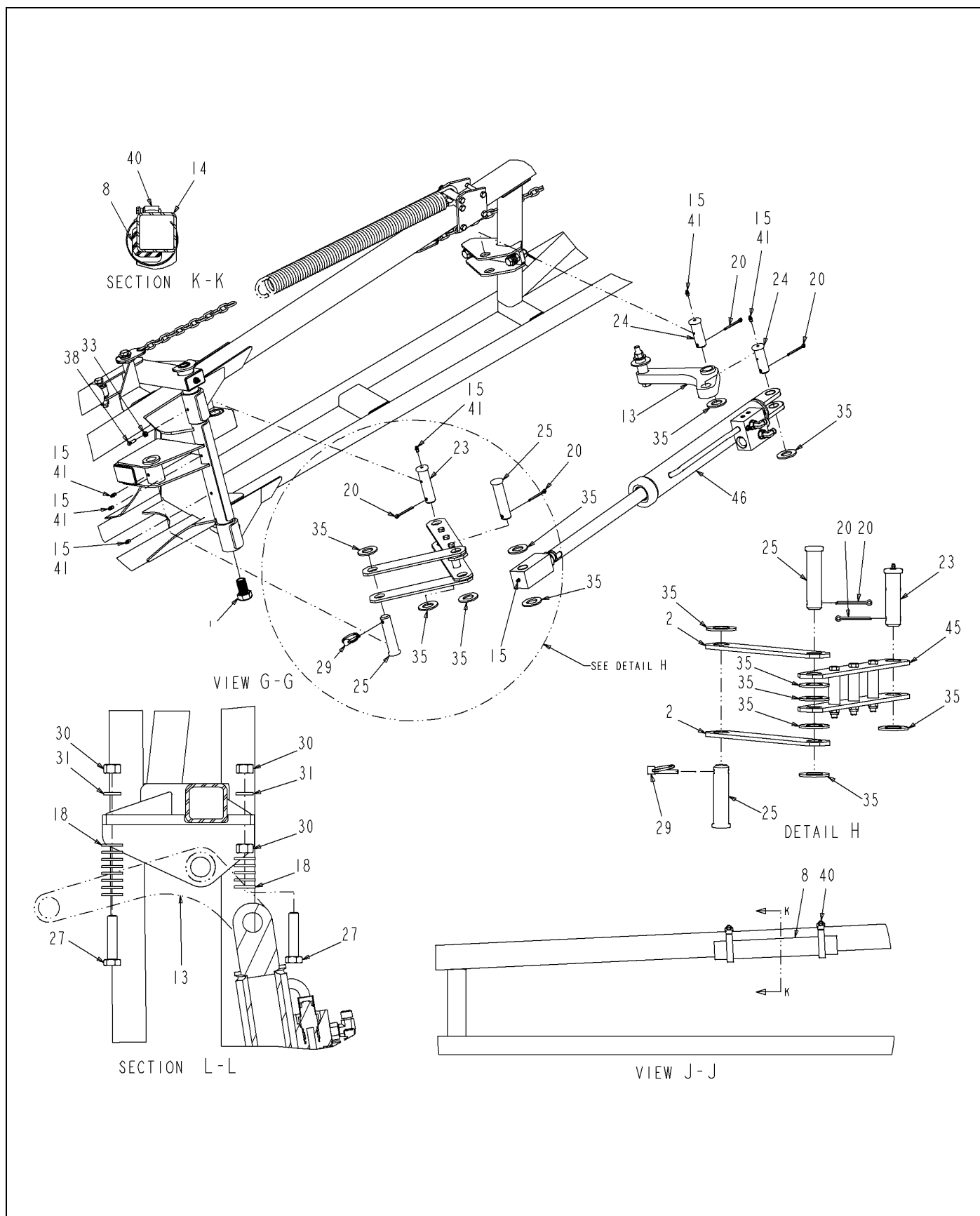


518865D1-01-R267-02.TIF

BOOM ASM-90FT,LH

ITEM	PART #	QTY	DESCRIPTION	COMMENTS
1	AG126884	1	BOLT-.88-9 X 1.50,G5,HHCS,Z/Y	
3	AG230237	2	PLATE MOUNT SPRING	
4	AG230238	1	TUBE SPACER	
5	AG230263	1	CHAIN BREAKAWAY WLDMT	
6	AG232241	1	PIN WELDMENT PIVOT	
9	AG262785	1	CHAIN WLDMT-PIVOT PLATE	
10	AG263053	2	PLATE-DBLR,BOOM	
11	AG308378	1	WLDMT BOOM PIN	
12	AG309923	1	MOUNT SHOCK WLDMT	
13	AG309967	1	PLATE PIVOT WLDMT LH	
14	AG504543	1	BOOM WLDMT-BRKAWY,LH,90FT	
15	AG511099	AR	GREASE-MULTI PURPOSE LITH.	
17	AG512885	AR	LOCTITE ADHESIVE SEALANT BLUE	
18	AG514554	15	WASHER 0.50 FL ZN SAE TYP-A G8	
19	AG515274	1	SHOCK ABSORBER W/BOOT	[A]
21	AG516106	1	PIN LYNCH 0.31X1.68	
22	AG517793	2	SPRING EXTENSION 2 IN ODX 25.75	
26	AG522980	AR	LOCTITE-603,GREEN	
28	AG523653	2	BUSHING-1.00 ID X 1.25 OD	
30	AG550124	6	NUT 0.50-13NC HEX ZN REG	
32	AG550353	2	WASHER 0.50 FL ZN REG TYPE-B	
34	AG551392	2	BOLT 0.50-13NCX 2.75 G5 ZN HHD	
35	AG551856	10	WASHER 1.00 FL ZN SAE TYPE-A	
36	AG552410	1	BOLT 0.50-13NCX 4.00 G5 ZN HHD	
37	AG561072	5	BOLT 0.37-16NCX 3.00 G5 ZN HHD	
39	AG561203	1	BOLT 0.50-13NCX 6.50 G5 ZN HHD	
41	AG561892	7	FITTING LUBE STR 0.25UNF	
42	AG601152	4	NUT 0.50-13NC HEX ZN REG NY	
43	AG601411	5	NUT 0.37-16NC HEX ZN REG NY	
44	6626401	1	BOLT-EYE	
47	513273D1	1	REST INSTL-FLD BACK,90/100,LH	SEE PAGE 3-57
48	518861D1	1	BOOM WLDMT-INNER,90/100FT,LH	
	FOOTNOTE [A]		AG609376 - BOOT ONLY	

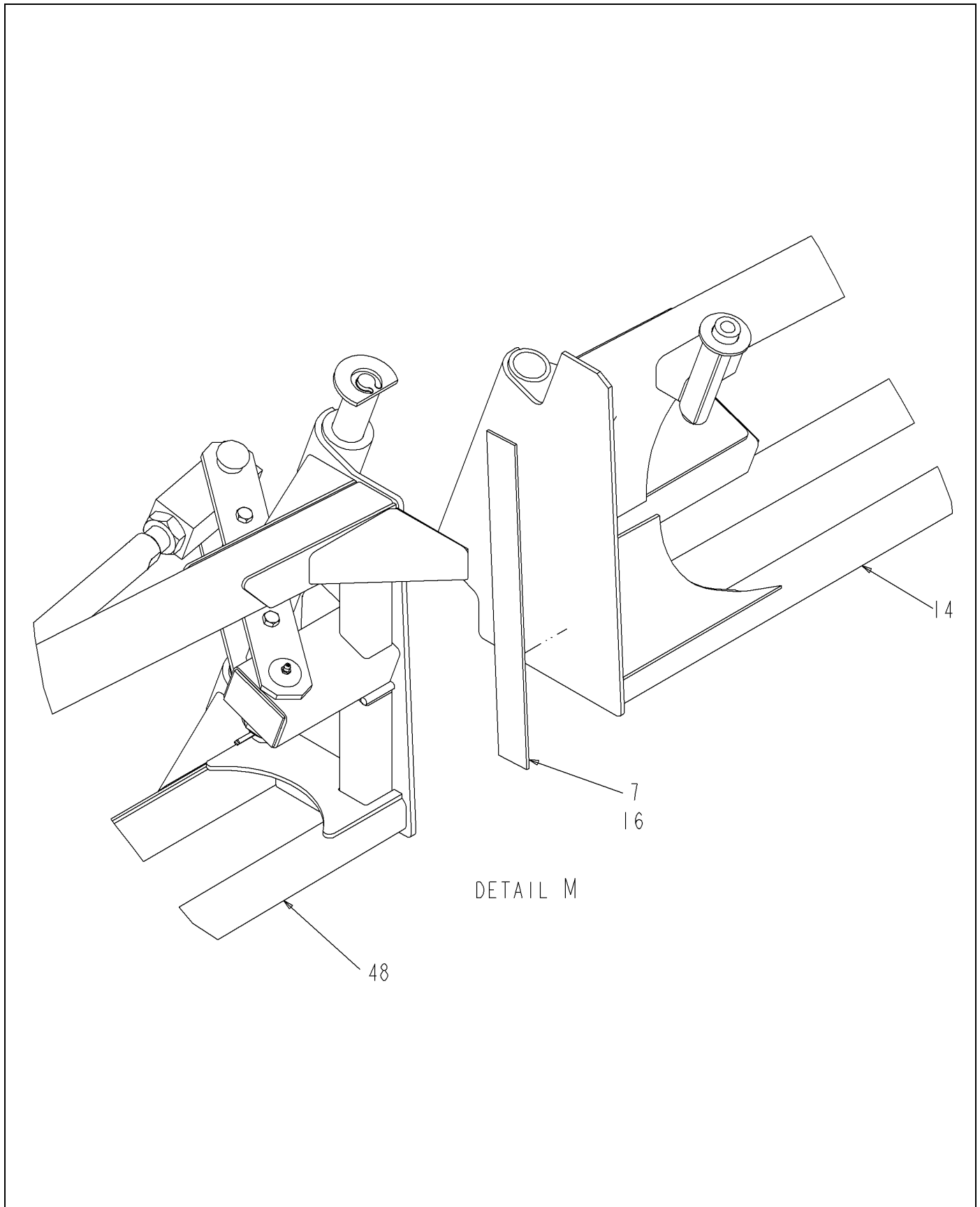
BOOM ASM-90FT,LH



518865D1-01-R267-03.TIF

BOOM ASM-90FT,LH

ITEM	PART #	QTY	DESCRIPTION	COMMENTS
1	AG126884	1	BOLT-.88-9 X 1.50,G5,HHCS,Z/Y	
2	AG230129	2	BAR LINK SHORT	
8	AG260770	1	ANGLE-WEAR,UHMW	
13	AG309967	1	PLATE PIVOT WLDMT LH	
14	AG504543	1	BOOM WLDMT-BRKAWY,LH,90FT	
15	AG511099	AR	GREASE-MULTI PURPOSE LITH.	
18	AG514554	15	WASHER 0.50 FL ZN SAE TYP-A G8	
20	AG515352	4	PIN COTTER 0.18X2.00 SS	
23	AG522056	1	PIN-CLEVIS,1.00 X 3.62	
24	AG522057	2	PIN-CLEVIS 1.00 X 2.69	
25	AG522058	2	PIN-CLEVIS 1.00 X4.00	
27	AG523563	2	BOLT-.50-13X2.25,G5,ZN,HHD,FT	
29	AG524255	1	PIN-LYNCH,.25X1.56,ZN	
30	AG550124	6	NUT 0.50-13NC HEX ZN REG	
31	AG550264	2	WASHER 0.50 LK ZN REG	
33	AG550612	1	NUT 0.25-20NC HEX ZN REG	
35	AG551856	10	WASHER 1.00 FL ZN SAE TYPE-A	
38	AG561078	1	SCREW .25-20X 0.75 SET PL CPSQ	
40	AG561233	2	CLAMP-HOSE,1.81X2.75,36HS	
41	AG561892	7	FITTING LUBE STR 0.25UNF	
45	506334D1	1	LINKAGE ASM-CYL,HYD,INNER/MID	SEE PAGE 3-55
46	512868D1	1	CYLINDER ASM-BOOM TIP FOLD	SEE PAGE 5-61

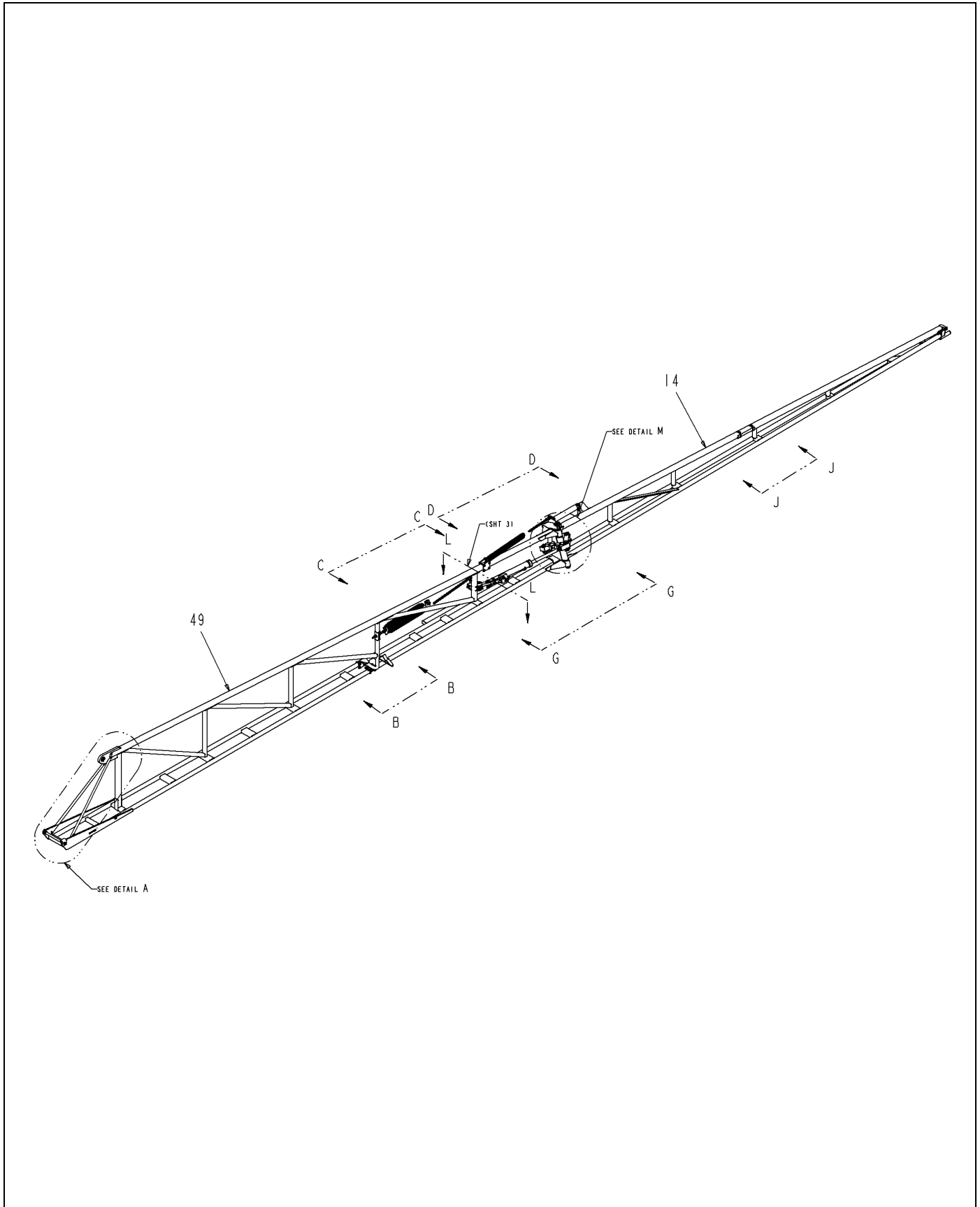


518865D1-01-R267-04.TIF

BOOM ASM-90FT,LH

ITEM	PART #	QTY	DESCRIPTION	COMMENTS
7	AG233057	1	MATTING PAD	
14	AG504543	1	BOOM WLDMT-BRKAWY,LH,90FT	
16	AG512346	AR	3M 1300 YELLOW ADHESIVE (GAL)	
48	518861D1	1	BOOM WLDMT-INNER,90/100FT,LH	

BOOM ASM-100FT,RH

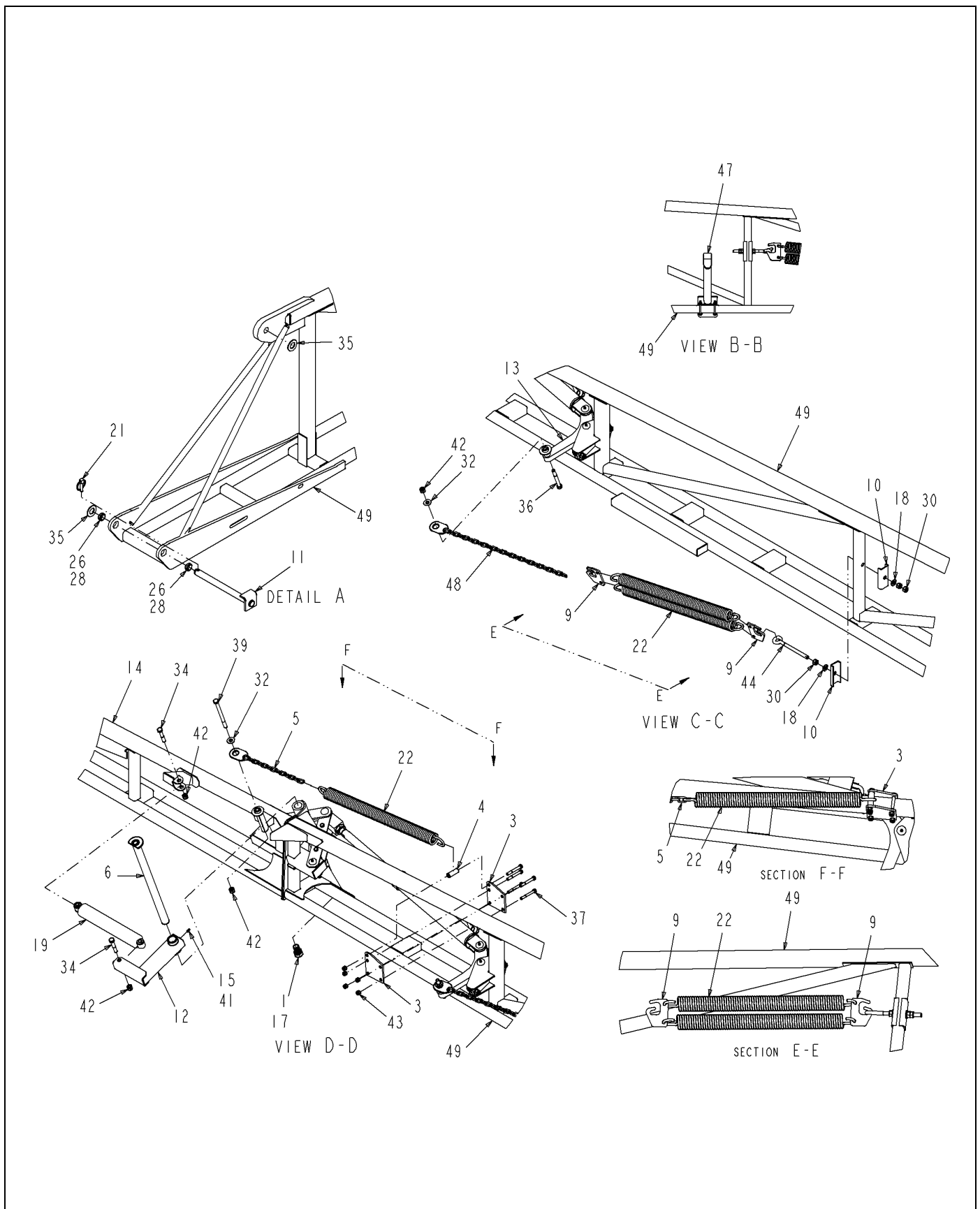


518866D1-01-R267-01.TIF

BOOM ASM-100FT,RH

ITEM	PART #	QTY	DESCRIPTION	COMMENTS
14	AG504510	1	BOOM WLDMT-BRKAWY,RH,100FT	
49	518860D1	1	BOOM WLDMT-INNER,90/100FT,RH	

BOOM ASM-100FT,RH

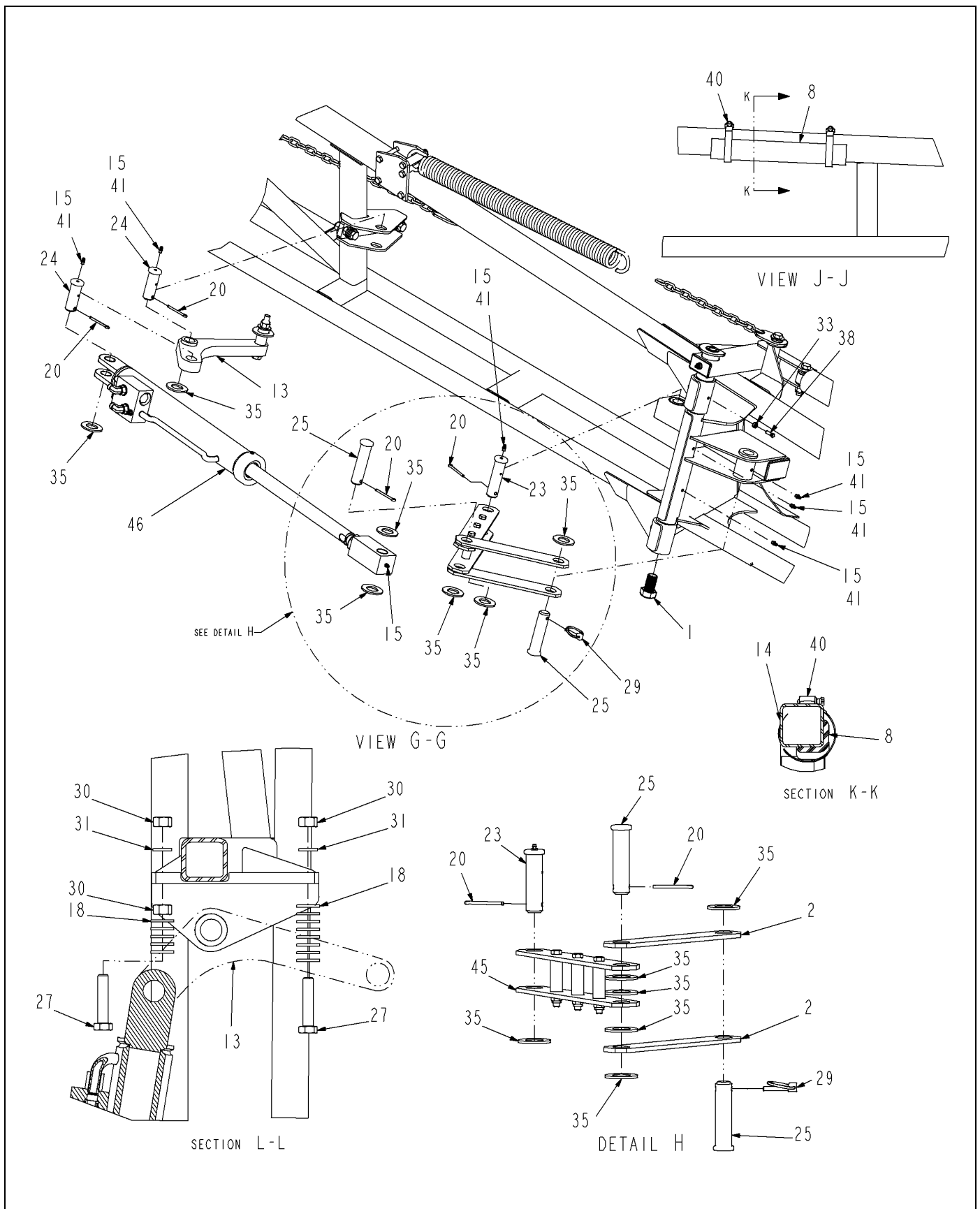


518866D1-01-R267-02.TIF

BOOM ASM-100FT,RH

ITEM	PART #	QTY	DESCRIPTION	COMMENTS
1	AG126884	1	BOLT-.88-9 X 1.50,G5,HHCS,Z/Y	
3	AG230237	2	PLATE MOUNT SPRING	
4	AG230238	1	TUBE SPACER	
5	AG230263	1	CHAIN BREAKAWAY WLDMT	
6	AG232241	1	PIN WELDMENT PIVOT	
9	AG263036	2	PLATE-EYEBOLT	
10	AG263053	2	PLATE-DBLR,BOOM	
11	AG308378	1	WLDMT BOOM PIN	
12	AG309923	1	MOUNT SHOCK WLDMT	
13	AG309966	1	PLATE PIVOT WLDMT RH	
14	AG504510	1	BOOM WLDMT-BRKAWY,RH,100FT	
15	AG511099	AR	GREASE-MULTI PURPOSE LITH.	
17	AG512885	AR	LOCTITE ADHESIVE SEALANT BLUE	
18	AG514554	15	WASHER 0.50 FL ZN SAE TYP-A G8	
19	AG515274	1	SHOCK ABSORBER W/BOOT	[A]
21	AG516106	1	PIN LYNCH 0.31X1.68	
22	AG517793	2	SPRING EXTENSION 2 IN ODX 25.75	
26	AG522980	AR	LOCTITE-603,GREEN	
28	AG523653	2	BUSHING-1.00 ID X 1.25 OD	
30	AG550124	6	NUT 0.50-13NC HEX ZN REG	
32	AG550353	2	WASHER 0.50 FL ZN REG TYPE-B	
34	AG551392	2	BOLT 0.50-13NCX 2.75 G5 ZN HHD	
35	AG551856	10	WASHER 1.00 FL ZN SAE TYPE-A	
36	AG552410	1	BOLT 0.50-13NCX 4.00 G5 ZN HHD	
37	AG561072	5	BOLT 0.37-16NCX 3.00 G5 ZN HHD	
39	AG561203	1	BOLT 0.50-13NCX 6.50 G5 ZN HHD	
41	AG561892	7	FITTING LUBE STR 0.25UNF	
42	AG601152	4	NUT 0.50-13NC HEX ZN REG NY	
43	AG601411	5	NUT 0.37-16NC HEX ZN REG NY	
44	6626401	1	BOLT-EYE	
47	513272D1	1	REST INSTL-FLD BACK,90/100,RH	SEE PAGE 3-56
48	515197D1	1	CHAIN WLDMT-PIVOT PLATE	
49	518860D1	1	BOOM WLDMT-INNER,90/100FT,RH	
	FOOTNOTE [A]		AG609376 - BOOT ONLY	

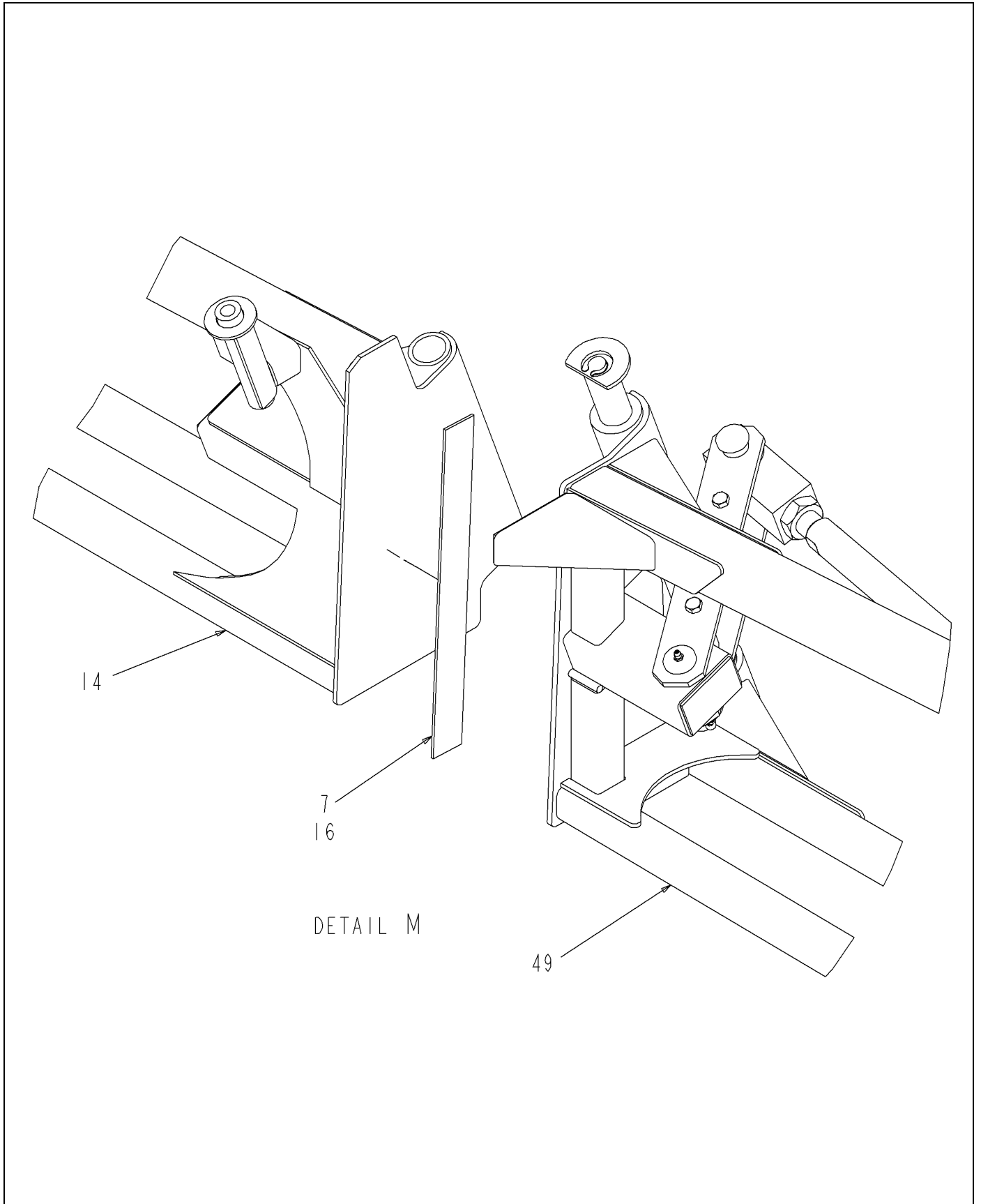
BOOM ASM-100FT,RH



518866D1-01-R267-03.TIF

BOOM ASM-100FT,RH

ITEM	PART #	QTY	DESCRIPTION	COMMENTS
1	AG126884	1	BOLT-.88-9 X 1.50,G5,HHCS,Z/Y	
2	AG230129	2	BAR LINK SHORT	
8	AG260770	1	ANGLE-WEAR,UHMW	
13	AG309966	1	PLATE PIVOT WLDMT RH	
14	AG504510	1	BOOM WLDMT-BRKAWY,RH,100FT	
15	AG511099	AR	GREASE-MULTI PURPOSE LITH.	
18	AG514554	15	WASHER 0.50 FL ZN SAE TYP-A G8	
20	AG515352	4	PIN COTTER 0.18X2.00 SS	
23	AG522056	1	PIN-CLEVIS,1.00 X 3.62	
24	AG522057	2	PIN-CLEVIS 1.00 X 2.69	
25	AG522058	2	PIN-CLEVIS 1.00 X4.00	
27	AG523563	2	BOLT-.50-13X2.25,G5,ZN,HHD,FT	
29	AG524255	1	PIN-LYNCH,.25X1.56,ZN	
30	AG550124	6	NUT 0.50-13NC HEX ZN REG	
31	AG550264	2	WASHER 0.50 LK ZN REG	
33	AG550612	1	NUT 0.25-20NC HEX ZN REG	
35	AG551856	10	WASHER 1.00 FL ZN SAE TYPE-A	
38	AG561078	1	SCREW .25-20X 0.75 SET PL CPSQ	
40	AG561233	2	CLAMP-HOSE,1.81X2.75,36HS	
41	AG561892	7	FITTING LUBE STR 0.25UNF	
45	506334D1	1	LINKAGE ASM-CYL,HYD,INNER/MID	SEE PAGE 3-55
46	512868D1	1	CYLINDER ASM-BOOM TIP FOLD	SEE PAGE 5-61

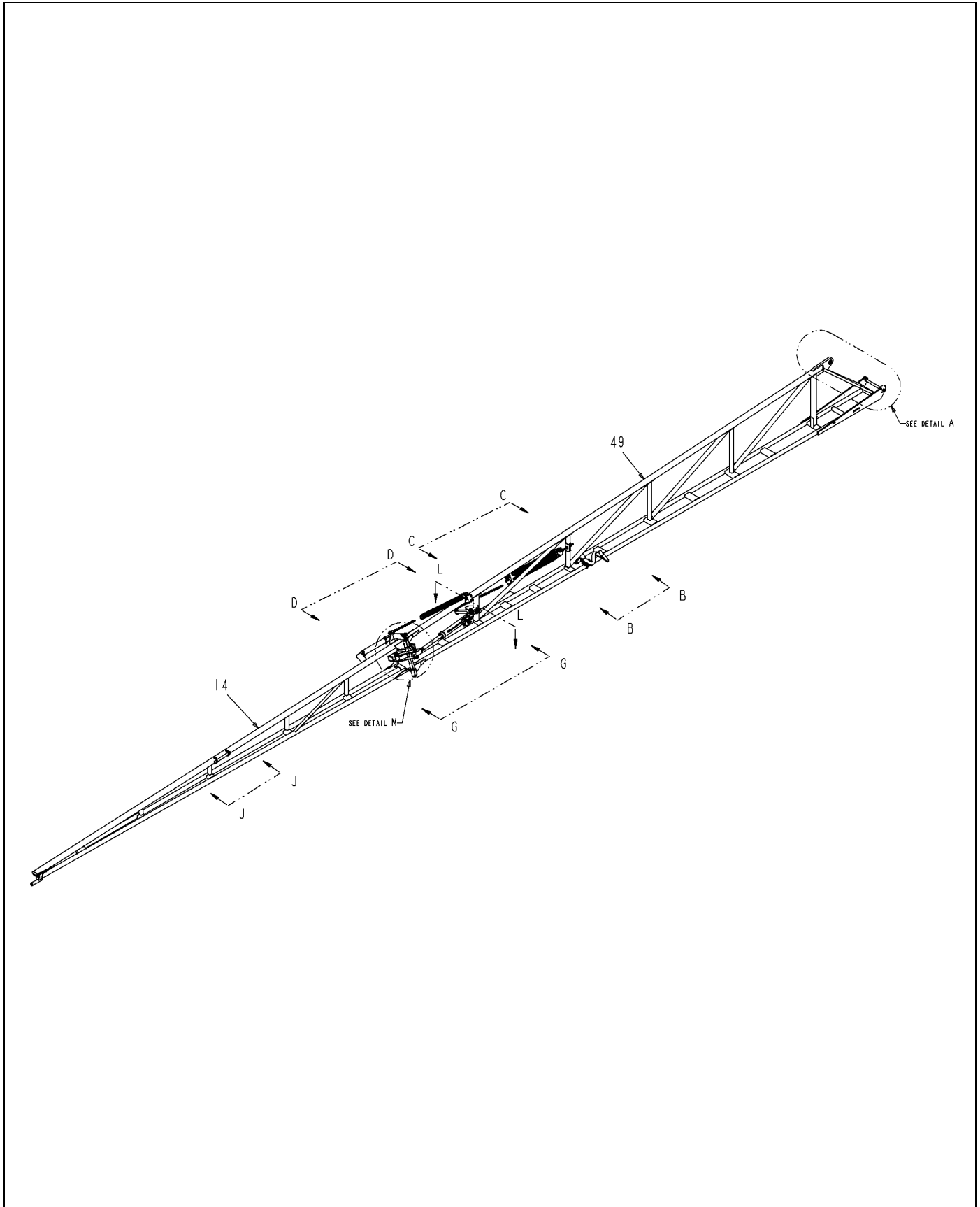


518866D1-01-R267-04.TIF

BOOM ASM-100FT,RH

ITEM	PART #	QTY	DESCRIPTION	COMMENTS
7	AG233057	1	MATTING PAD	
14	AG504510	1	BOOM WLDMT-BRKAWY,RH,100FT	
16	AG512346	AR	3M 1300 YELLOW ADHESIVE (GAL)	
49	518860D1	1	BOOM WLDMT-INNER,90/100FT,RH	

BOOM ASM-100FT,LH

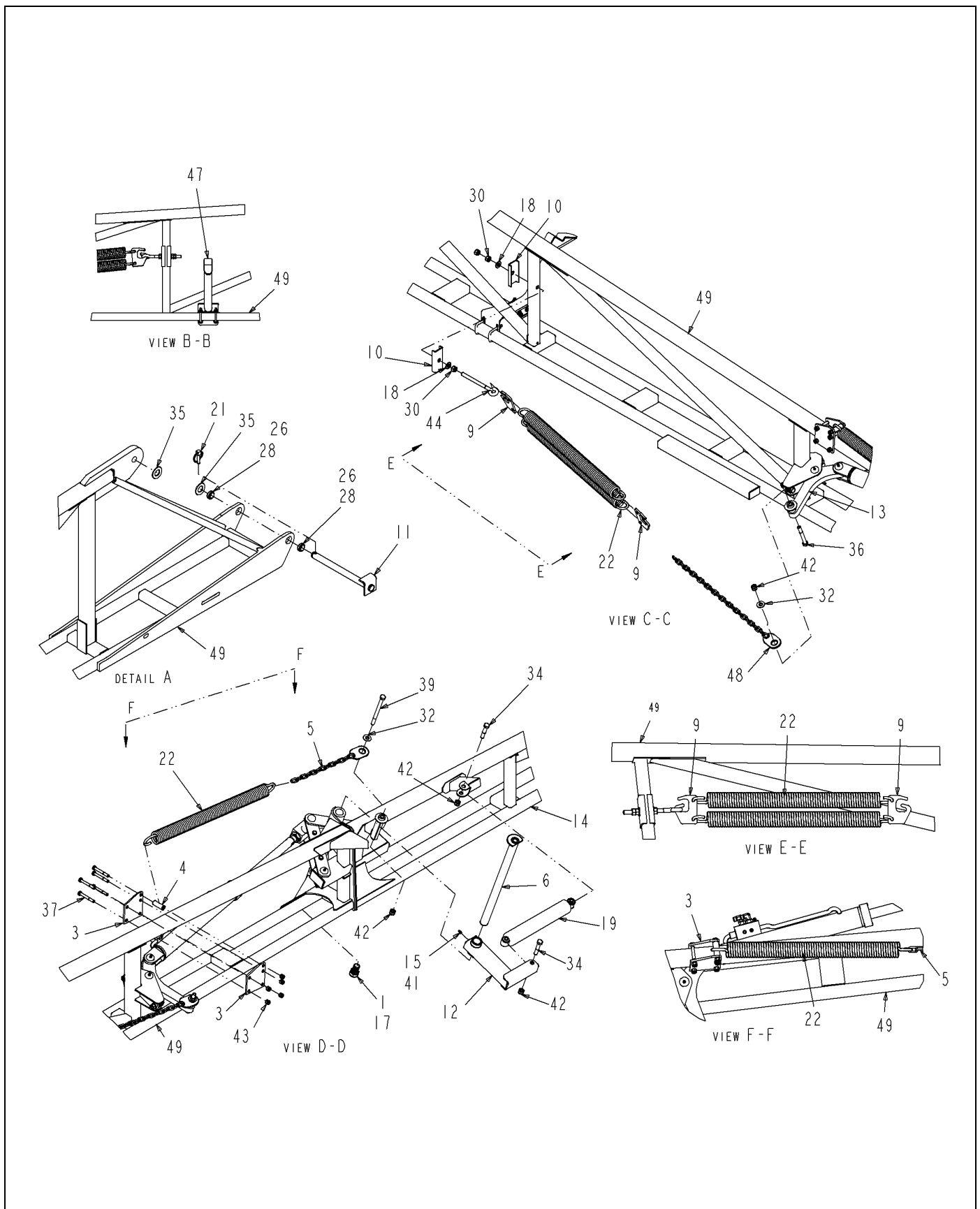


518867D1-01-R267-01.TIF

BOOM ASM-100FT,LH

ITEM	PART #	QTY	DESCRIPTION	COMMENTS
14	AG504509	1	BOOM WLDMT-BRKAWY,LH,100FT	
49	518861D1	1	BOOM WLDMT-INNER,90/100FT,LH	

BOOM ASM-100FT,LH

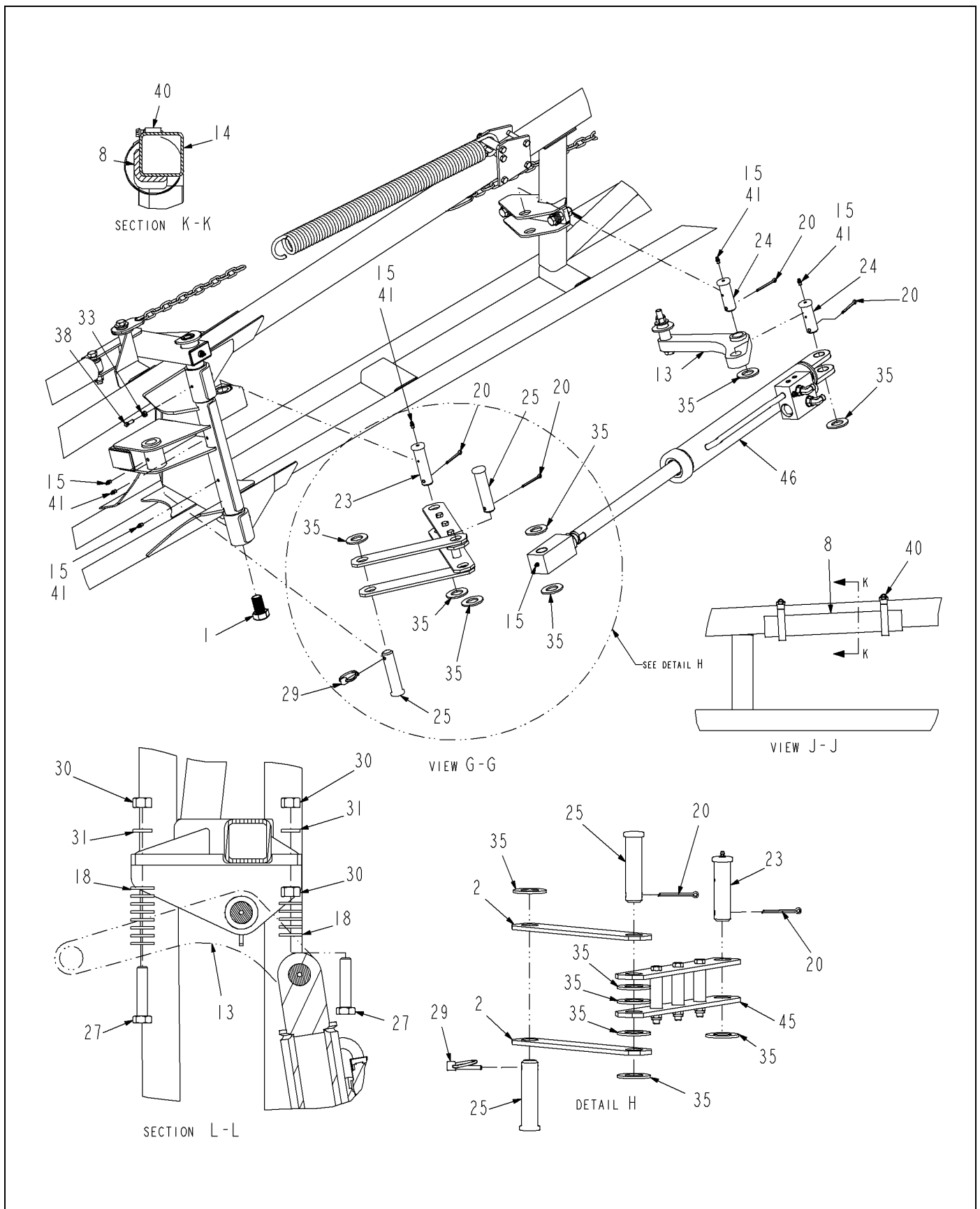


518867D1-01-R267-02.TIF

BOOM ASM-100FT,LH

ITEM	PART #	QTY	DESCRIPTION	COMMENTS
1	AG126884	1	BOLT-.88-9 X 1.50,G5,HHCS,Z/Y	
3	AG230237	2	PLATE MOUNT SPRING	
4	AG230238	1	TUBE SPACER	
5	AG230263	1	CHAIN BREAKAWAY WLDMT	
6	AG232241	1	PIN WELDMENT PIVOT	
9	AG263036	2	PLATE-EYEBOLT	
10	AG263053	2	PLATE-DBLR,BOOM	
11	AG308378	1	WLDMT BOOM PIN	
12	AG309923	1	MOUNT SHOCK WLDMT	
13	AG309967	1	PLATE PIVOT WLDMT LH	
14	AG504509	1	BOOM WLDMT-BRKAWY,LH,100FT	
15	AG511099	AR	GREASE-MULTI PURPOSE LITH.	
17	AG512885	AR	LOCTITE ADHESIVE SEALANT BLUE	
18	AG514554	15	WASHER 0.50 FL ZN SAE TYP-A G8	
19	AG515274	1	SHOCK ABSORBER W/BOOT	[A]
21	AG516106	1	PIN LYNCH 0.31X1.68	
22	AG517793	2	SPRING EXTENSION 2 IN ODX 25.75	
26	AG522980	AR	LOCTITE-603,GREEN	
28	AG523653	2	BUSHING-1.00 ID X 1.25 OD	
30	AG550124	6	NUT 0.50-13NC HEX ZN REG	
32	AG550353	2	WASHER 0.50 FL ZN REG TYPE-B	
34	AG551392	2	BOLT 0.50-13NCX 2.75 G5 ZN HHD	
35	AG551856	10	WASHER 1.00 FL ZN SAE TYPE-A	
36	AG552410	1	BOLT 0.50-13NCX 4.00 G5 ZN HHD	
37	AG561072	5	BOLT 0.37-16NCX 3.00 G5 ZN HHD	
39	AG561203	1	BOLT 0.50-13NCX 6.50 G5 ZN HHD	
41	AG561892	7	FITTING LUBE STR 0.25UNF	
42	AG601152	4	NUT 0.50-13NC HEX ZN REG NY	
43	AG601411	5	NUT 0.37-16NC HEX ZN REG NY	
44	6626401	1	BOLT-EYE	
47	513273D1	1	REST INSTL-FLD BACK,90/100,LH	SEE PAGE 3-57
48	515197D1	1	CHAIN WLDMT-PIVOT PLATE	
49	518861D1	1	BOOM WLDMT-INNER,90/100FT,LH	
	FOOTNOTE [A]		AG609376 - BOOT ONLY	

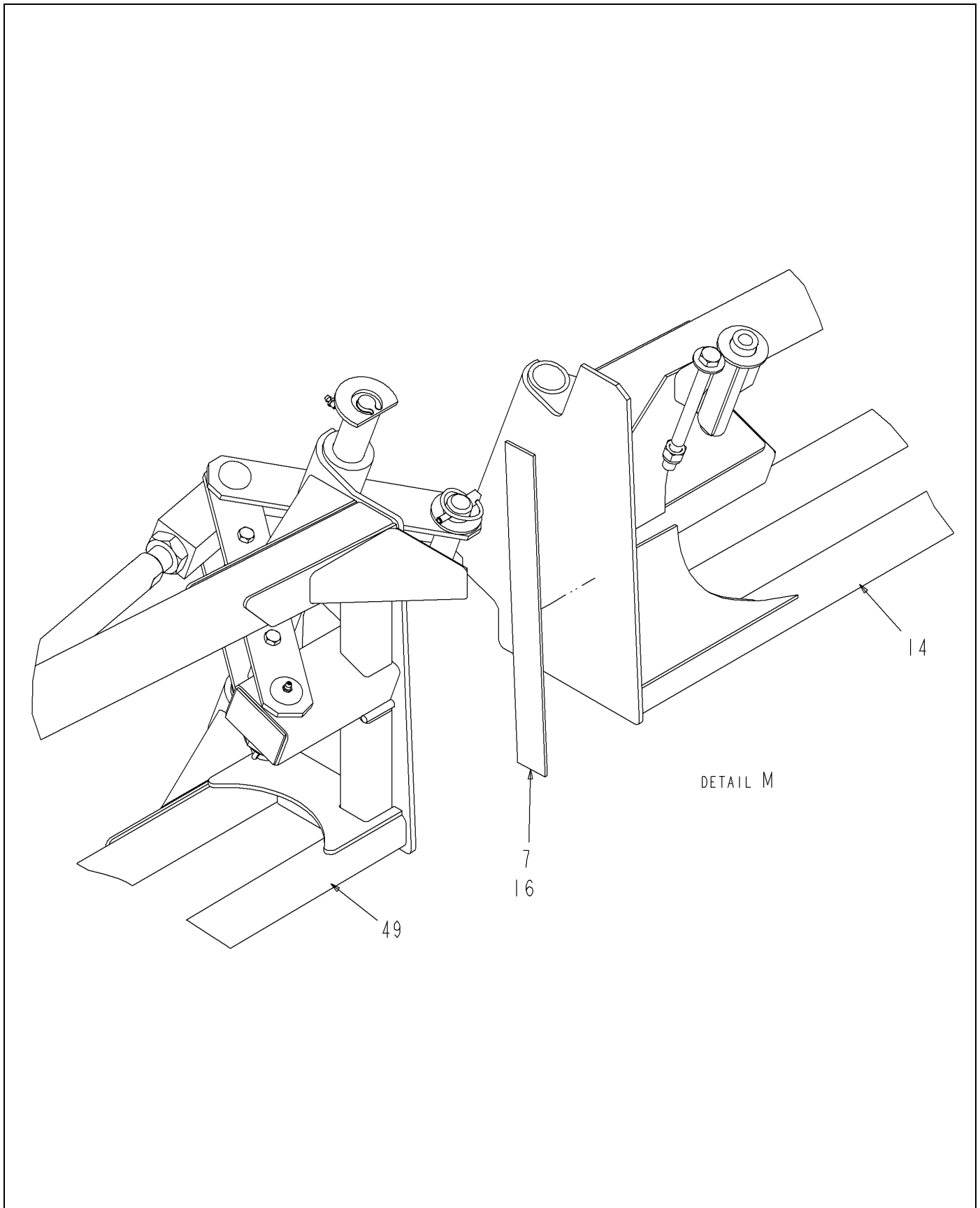
BOOM ASM-100FT,LH



518867D1-01-R267-03.TIF

BOOM ASM-100FT,LH

ITEM	PART #	QTY	DESCRIPTION	COMMENTS
1	AG126884	1	BOLT-.88-9 X 1.50,G5,HHCS,Z/Y	
2	AG230129	2	BAR LINK SHORT	
8	AG260770	1	ANGLE-WEAR,UHMW	
13	AG309967	1	PLATE PIVOT WLDMT LH	
14	AG504509	1	BOOM WLDMT-BRKAWY,LH,100FT	
15	AG511099	AR	GREASE-MULTI PURPOSE LITH.	
18	AG514554	15	WASHER 0.50 FL ZN SAE TYP-A G8	
20	AG515352	4	PIN COTTER 0.18X2.00 SS	
23	AG522056	1	PIN-CLEVIS,1.00 X 3.62	
24	AG522057	2	PIN-CLEVIS 1.00 X 2.69	
25	AG522058	2	PIN-CLEVIS 1.00 X4.00	
27	AG523563	2	BOLT-.50-13X2.25,G5,ZN,HHD,FT	
29	AG524255	1	PIN-LYNCH,.25X1.56,ZN	
30	AG550124	6	NUT 0.50-13NC HEX ZN REG	
31	AG550264	2	WASHER 0.50 LK ZN REG	
33	AG550612	1	NUT 0.25-20NC HEX ZN REG	
35	AG551856	10	WASHER 1.00 FL ZN SAE TYPE-A	
38	AG561078	1	SCREW .25-20X 0.75 SET PL CPSQ	
40	AG561233	2	CLAMP-HOSE,1.81X2.75,36HS	
41	AG561892	7	FITTING LUBE STR 0.25UNF	
45	506334D1	1	LINKAGE ASM-CYL,HYD,INNER/MID	SEE PAGE 3-55
46	512868D1	1	CYLINDER ASM-BOOM TIP FOLD	SEE PAGE 5-61

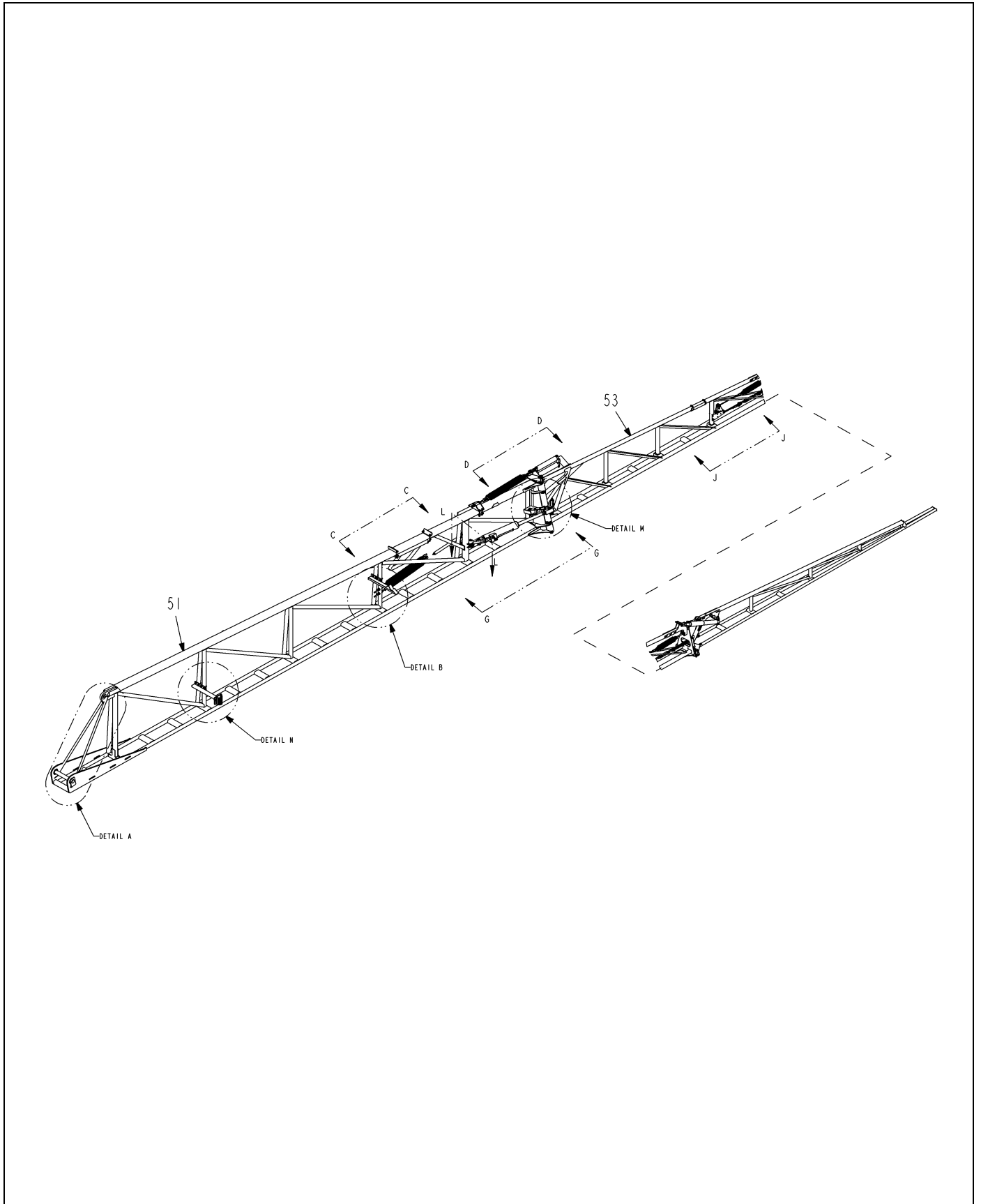


518867D1-01-R267-04.TIF

BOOM ASM-100FT,LH

ITEM	PART #	QTY	DESCRIPTION	COMMENTS
7	AG233057	1	MATTING PAD	
14	AG504509	1	BOOM WLDMT-BRKAWY,LH,100FT	
16	AG512346	AR	3M 1300 YELLOW ADHESIVE (GAL)	
49	518861D1	1	BOOM WLDMT-INNER,90/100FT,LH	

BOOM ASM-120FT,RH

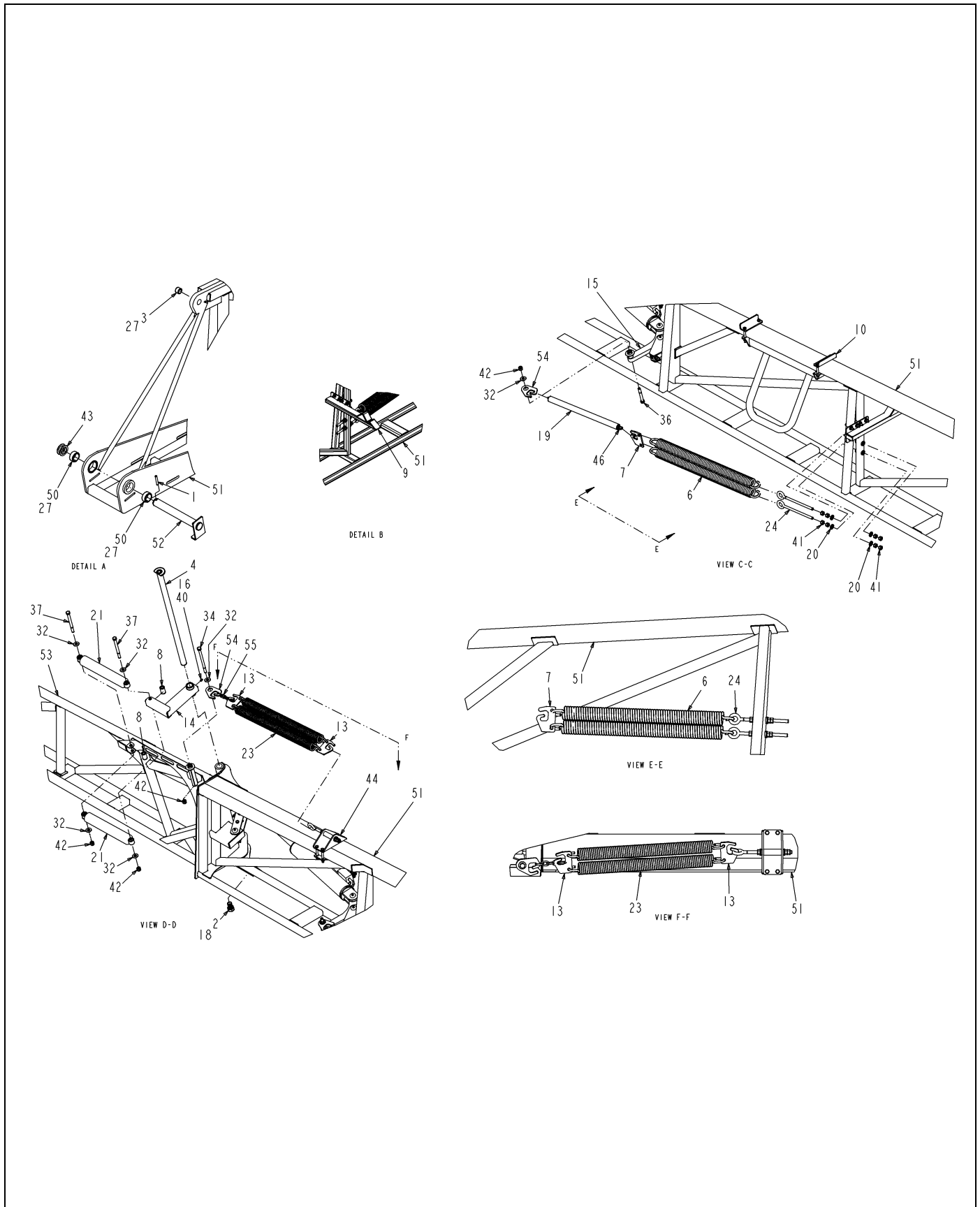


518030D1-01-R172-01.TIF

BOOM ASM-120FT,RH

ITEM	PART #	QTY	DESCRIPTION	COMMENTS
51	514332D1	1	BOOM WLDMT-INNER,120,RH	
53	516622D1	1	TIP ASM-FOLD BACK,BM,120FT,RH	SEE PAGE 3-52

BOOM ASM-120FT,RH



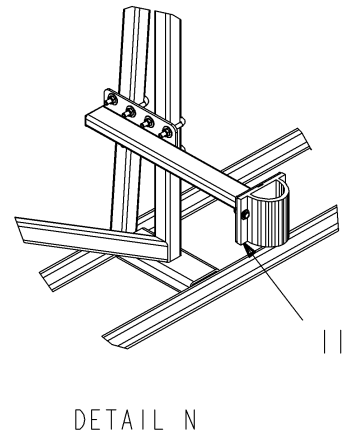
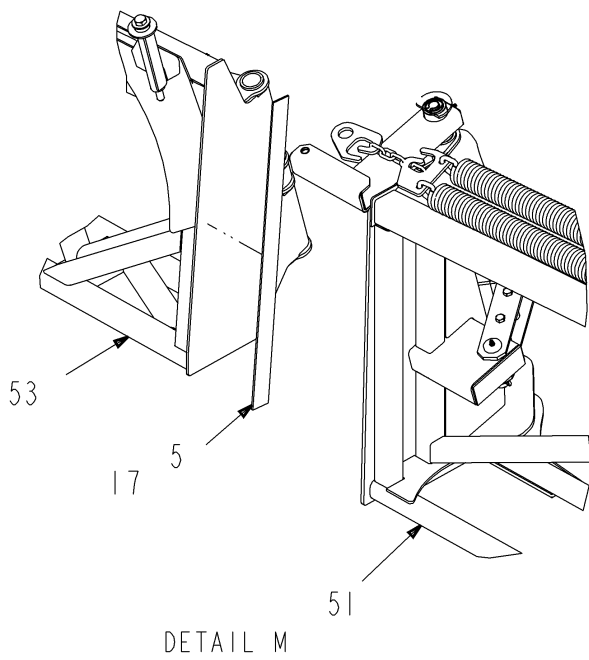
518030D1-01-R172-02.TIF

BOOM ASM-120FT,RH

ITEM	PART #	QTY	DESCRIPTION	COMMENTS
1	WR10359	1	PIN-ROLL,3/8 X 2 1/2	
2	AG126884	1	BOLT-.88-9 X 1.50,G5,HHCS,Z/Y	
3	AG136947	1	BUSHING-1.00ID X 1.25OD X 1.00	
4	AG136967	1	PIN WELDMENT-PIVOT,INNER/MID	
6	AG136970	2	SPR-EXT, .39WIRE,2.25ODX67COIL	
7	AG136971	1	PLATE-EYEBOLT,DBL 2.25OD SPR	
8	AG136979	2	TUBE-SPCR,1.00ODX.563IDX1.56	
9	AG136980	1	REST INSTL-BM,FLD BACK,120,RH	SEE PAGE 3-61
10	AG136987	1	RETAINER INSTL-BM,4.00 TUBE	SEE PAGE 3-62
13	AG263036	2	PLATE-EYEBOLT	
14	AG309923	1	MOUNT SHOCK WLDMT	
15	AG309966	1	PLATE PIVOT WLDMT RH	
16	AG511099	AR	GREASE-MULTI PURPOSE LITH.	
18	AG512885	AR	LOCTITE ADHESIVE SEALANT BLUE	
19	AG513679	-	HOSE-1.00 EVA,TRANSLUCENT [BULK: 1.625 FT]	
20	AG514554	15	WASHER 0.50 FL ZN SAE TYP-A G8	
21	AG515274	2	SHOCK ABSORBER W/BOOT	[A]
23	AG517793	2	SPRING EXTENSION 2 IN ODX 25.75	
24	AG518025	2	EYEBOLT .50-13 UNC X 8.00 GALV	
27	AG522980	AR	LOCTITE-603,GREEN	
32	AG550353	6	WASHER 0.50 FL ZN REG TYPE-B	
34	AG551546	1	BOLT.50-13NCX 7.50G5 ZN HHD(D)	
36	AG552410	1	BOLT 0.50-13NCX 4.00 G5 ZN HHD	
37	AG560286	2	BOLT 0.50-13NCX 6.00 G5 ZN HHD	
40	AG561892	8	FITTING LUBE STR 0.25UNF	
41	AG562538	8	NUT 0.50-13NC HEX GALV REG OSZ	
42	AG601152	4	NUT 0.50-13NC HEX ZN REG NY	
43	401108X1	2	WASHER-HARD 45IDX63ODX3 ZNDI	
44	506322D1	1	BRKT INSTL-MTG,ADJ,SPR,UPR	SEE PAGE 4-191
46	506477D1	1	CHAIN-22 LINK,.19,SS	
50	514265D1	2	BUSHING-1.75ID X 2.25OD X 1.00	
51	514332D1	1	BOOM WLDMT-INNER,120,RH	
52	514339D1	1	PIN WLDMT-BOOM,INNER	
53	516622D1	1	TIP ASM-FOLD BACK,BM,120FT,RH	SEE PAGE 3-52
54	517156D1	2	PLATE-PVT,MTG,CHAIN	
55	517520D1	1	CHAIN-5 LINK,.19,SS	
	FOOTNOTE [A]		AG609376 - BOOT ONLY	

BOOM ASM-120FT,RH

ITEM	PART #	QTY	DESCRIPTION	COMMENTS
2	AG126884	1	BOLT-.88-9 X 1.50,G5,HHCS,Z/Y	
12	AG260770	1	ANGLE-WEAR,UHMW	
15	AG309966	1	PLATE PIVOT WLDMT RH	
16	AG511099	AR	GREASE-MULTI PURPOSE LITH.	
20	AG514554	15	WASHER 0.50 FL ZN SAE TYP-A G8	
22	AG515352	4	PIN COTTER 0.18X2.00 SS	
25	AG522056	1	PIN-CLEVIS,1.00 X 3.62	
26	AG522058	2	PIN-CLEVIS 1.00 X4.00	
28	AG523563	2	BOLT-.50-13X2.25,G5,ZN,HHD,FT	
29	AG524255	1	PIN-LYNCH,.25X1.56,ZN	
30	AG550124	3	NUT 0.50-13NC HEX ZN REG	
31	AG550264	2	WASHER 0.50 LK ZN REG	
33	AG550612	1	NUT 0.25-20NC HEX ZN REG	
35	AG551856	8	WASHER 1.00 FL ZN SAE TYPE-A	
38	AG561078	1	SCREW .25-20X 0.75 SET PL CPSQ	
39	AG561218	2	CLAMP 1.31-2.25 HOSE 28HS	
40	AG561892	8	FITTING LUBE STR 0.25UNF	
45	506334D1	1	LINKAGE ASM-CYL,HYD,INNER/MID	SEE PAGE 3-55
47	508869D1	2	PIN-CLEVIS,1.00 X 3.00	
48	511877D1	2	BAR WLDMT-LINK,SHORT	
49	513448D1	1	CYLINDER ASM-FOLD BACK,BM,120	SEE PAGE 5-63
53	516622D1	1	TIP ASM-FOLD BACK,BM,120FT,RH	SEE PAGE 3-52

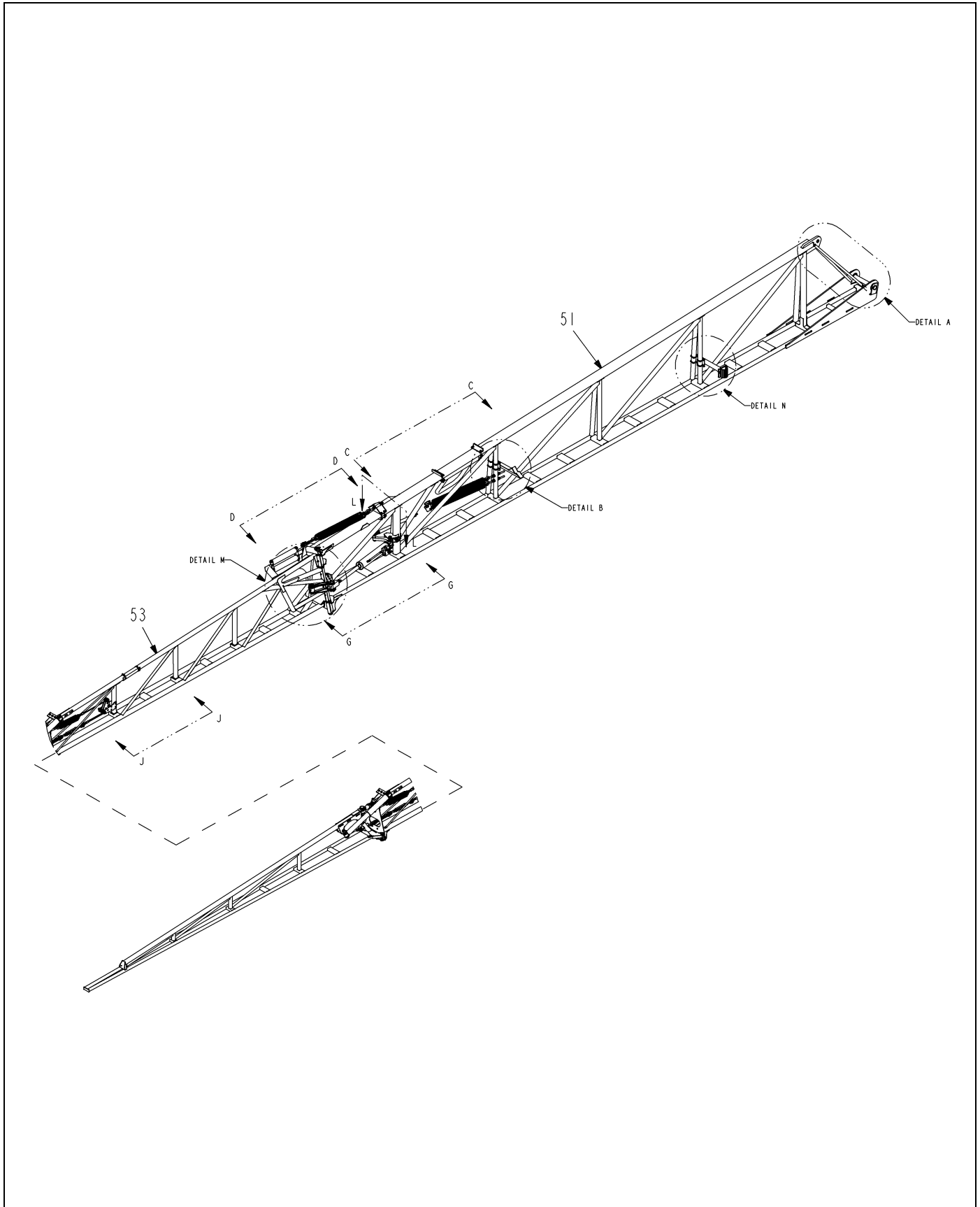


518030D1-01-R172-04.TIF

BOOM ASM-120FT,RH

ITEM	PART #	QTY	DESCRIPTION	COMMENTS
5	AG136969	1	MATTING-RBR,.12X1.50X24.50	
11	AG136994	1	BUMPER INSTL-FOLD BACK,120,RH	SEE PAGE 3-64
17	AG512346	AR	3M 1300 YELLOW ADHESIVE (GAL)	
51	514332D1	1	BOOM WLDMT-INNER,120,RH	
53	516622D1	1	TIP ASM-FOLD BACK,BM,120FT,RH	SEE PAGE 3-52

BOOM ASM-120FT,LH

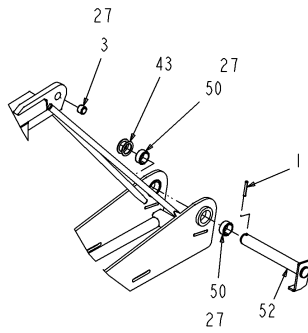


518029D1-01-R172-01.TIF

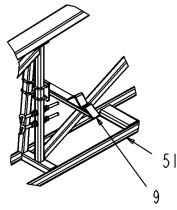
BOOM ASM-120FT,LH

ITEM	PART #	QTY	DESCRIPTION	COMMENTS
51	514333D1	1	BOOM WLDMT-INNER,120,LH	
53	516623D1	1	TIP ASM-FOLD BACK,BM,120FT,LH	SEE PAGE 3-50

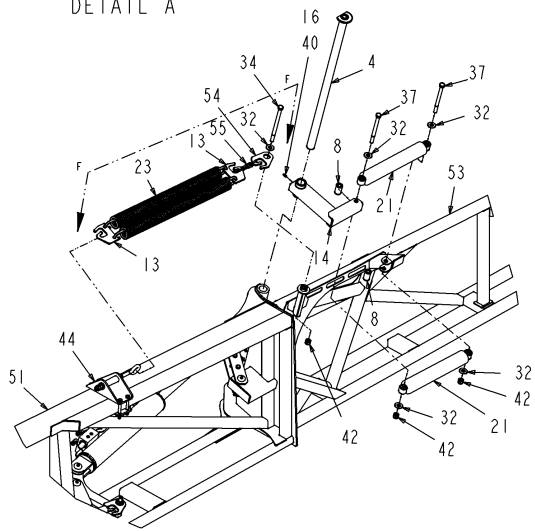
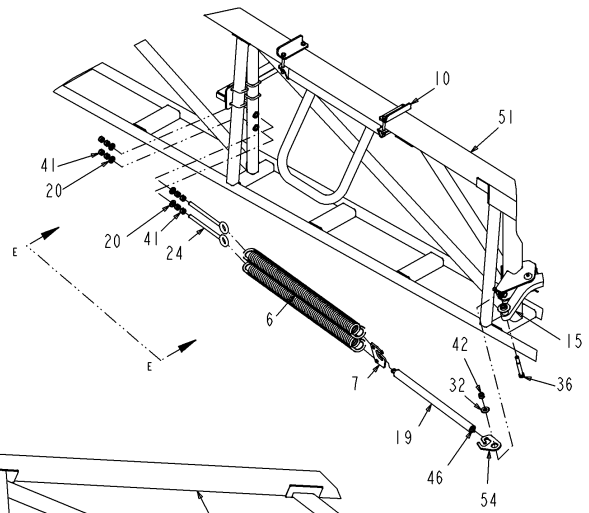
BOOM ASM-120FT,LH



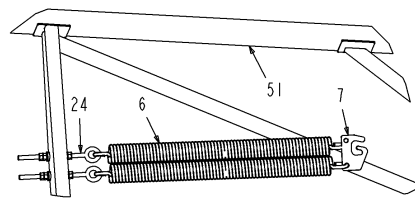
DETAIL A



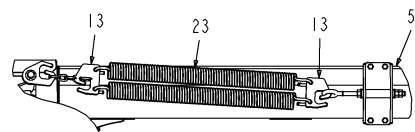
DETAIL B



VIEW D-D



VIEW E-E

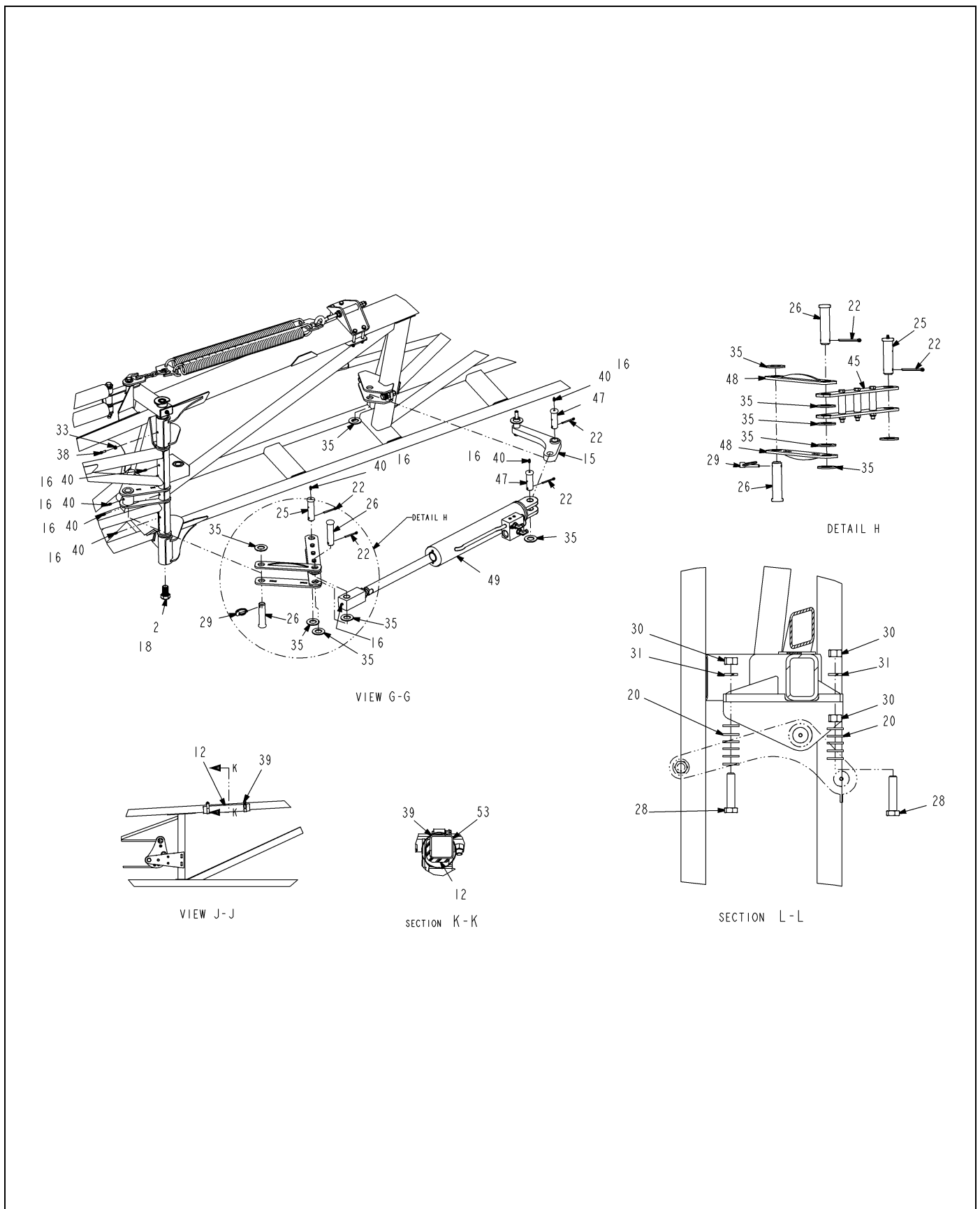


518029D1-01-R172-02.TIF

BOOM ASM-120FT,LH

ITEM	PART #	QTY	DESCRIPTION	COMMENTS
1	WR10359	1	PIN-ROLL,3/8 X 2 1/2	
3	AG136947	1	BUSHING-1.00ID X 1.25OD X 1.00	
4	AG136967	1	PIN WELDMENT-PIVOT,INNER/MID	
6	AG136970	2	SPR-EXT,.39WIRE,2.25ODX67COIL	
7	AG136971	1	PLATE-EYEBOLT,DBL 2.25OD SPR	
8	AG136979	2	TUBE-SPCR,1.00ODX.563IDX1.56	
9	AG136981	1	REST INSTL-BM,FLD BACK,120,LH	SEE PAGE 3-60
10	AG136987	1	RETAINER INSTL-BM,4.00 TUBE	SEE PAGE 3-62
13	AG263036	2	PLATE-EYEBOLT	
14	AG309923	1	MOUNT SHOCK WLDMT	
15	AG309967	1	PLATE PIVOT WLDMT LH	
16	AG511099	AR	GREASE-MULTI PURPOSE LITH.	
19	AG513679	-	HOSE-1.00 EVA,TRANSLUCENT [BULK: 1.625 FT]	
20	AG514554	15	WASHER 0.50 FL ZN SAE TYP-A G8	
21	AG515274	2	SHOCK ABSORBER W/BOOT	[A]
23	AG517793	2	SPRING EXTENSION 2 IN ODX 25.75	
24	AG518025	2	EYEBOLT .50-13 UNC X 8.00 GALV	
27	AG522980	AR	LOCTITE-603,GREEN	
32	AG550353	6	WASHER 0.50 FL ZN REG TYPE-B	
34	AG551546	1	BOLT.50-13NCX 7.50G5 ZN HHD(D)	
36	AG552410	1	BOLT 0.50-13NCX 4.00 G5 ZN HHD	
37	AG560286	2	BOLT 0.50-13NCX 6.00 G5 ZN HHD	
40	AG561892	8	FITTING LUBE STR 0.25UNF	
41	AG562538	8	NUT 0.50-13NC HEX GALV REG OSZ	
42	AG601152	4	NUT 0.50-13NC HEX ZN REG NY	
43	401108X1	2	WASHER-HARD 45IDX63ODX3 ZNDI	
44	506322D1	1	BRKT INSTL-MTG,ADJ,SPR,UPR	SEE PAGE 4-191
50	514265D1	2	BUSHING-1.75ID X 2.25OD X 1.00	
51	514333D1	1	BOOM WLDMT-INNER,120,LH	
52	514339D1	1	PIN WLDMT-BOOM,INNER	
53	516623D1	1	TIP ASM-FOLD BACK,BM,120FT,LH	SEE PAGE 3-50
54	517156D1	2	PLATE-PVT,MTG,CHAIN	
55	517520D1	1	CHAIN-5 LINK,.19,SS	
	FOOTNOTE [A]		AG609376 - BOOT ONLY	

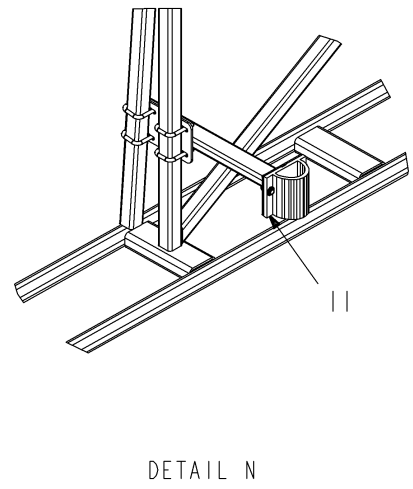
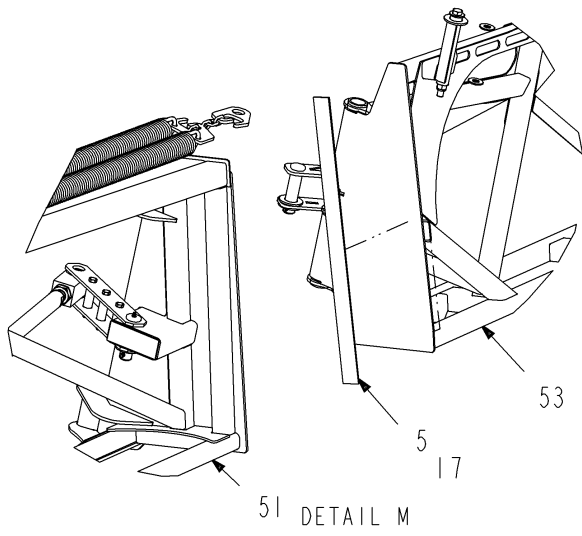
BOOM ASM-120FT,LH



518029D1-01-R172-03.TIF

BOOM ASM-120FT,LH

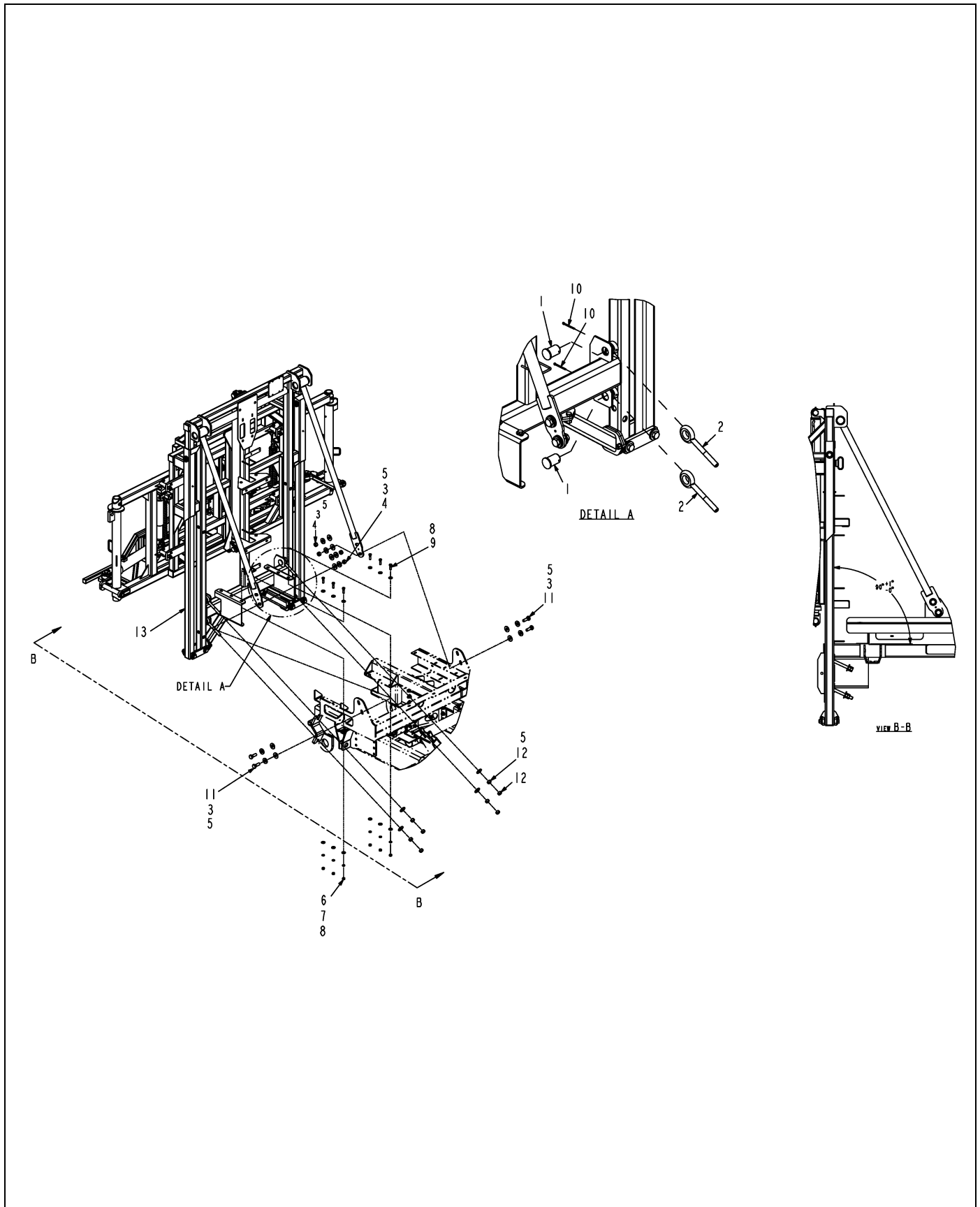
ITEM	PART #	QTY	DESCRIPTION	COMMENTS
2	AG126884	1	BOLT-.88-9 X 1.50,G5,HHCS,Z/Y	
12	AG260770	1	ANGLE-WEAR,UHMW	
15	AG309967	1	PLATE PIVOT WLDMT LH	
16	AG511099	AR	GREASE-MULTI PURPOSE LITH.	
18	AG512885	AR	LOCTITE ADHESIVE SEALANT BLUE	
20	AG514554	15	WASHER 0.50 FL ZN SAE TYP-A G8	
22	AG515352	4	PIN COTTER 0.18X2.00 SS	
25	AG522056	1	PIN-CLEVIS,1.00 X 3.62	
26	AG522058	2	PIN-CLEVIS 1.00 X4.00	
28	AG523563	2	BOLT-.50-13X2.25,G5,ZN,HHD,FT	
29	AG524255	1	PIN-LYNCH,.25X1.56,ZN	
30	AG550124	3	NUT 0.50-13NC HEX ZN REG	
31	AG550264	2	WASHER 0.50 LK ZN REG	
33	AG550612	1	NUT 0.25-20NC HEX ZN REG	
35	AG551856	8	WASHER 1.00 FL ZN SAE TYPE-A	
38	AG561078	1	SCREW .25-20X 0.75 SET PL CPSQ	
39	AG561218	2	CLAMP 1.31-2.25 HOSE 28HS	
40	AG561892	8	FITTING LUBE STR 0.25UNF	
45	506334D1	1	LINKAGE ASM-CYL,HYD,INNER/MID	SEE PAGE 3-55
47	508869D1	2	PIN-CLEVIS,1.00 X 3.00	
48	511877D1	2	BAR WLDMT-LINK,SHORT	
49	513448D1	1	CYLINDER ASM-FOLD BACK,BM,120	SEE PAGE 5-63
53	516623D1	1	TIP ASM-FOLD BACK,BM,120FT,LH	SEE PAGE 3-50



518029D1-01-R172-04.TIF

BOOM ASM-120FT,LH

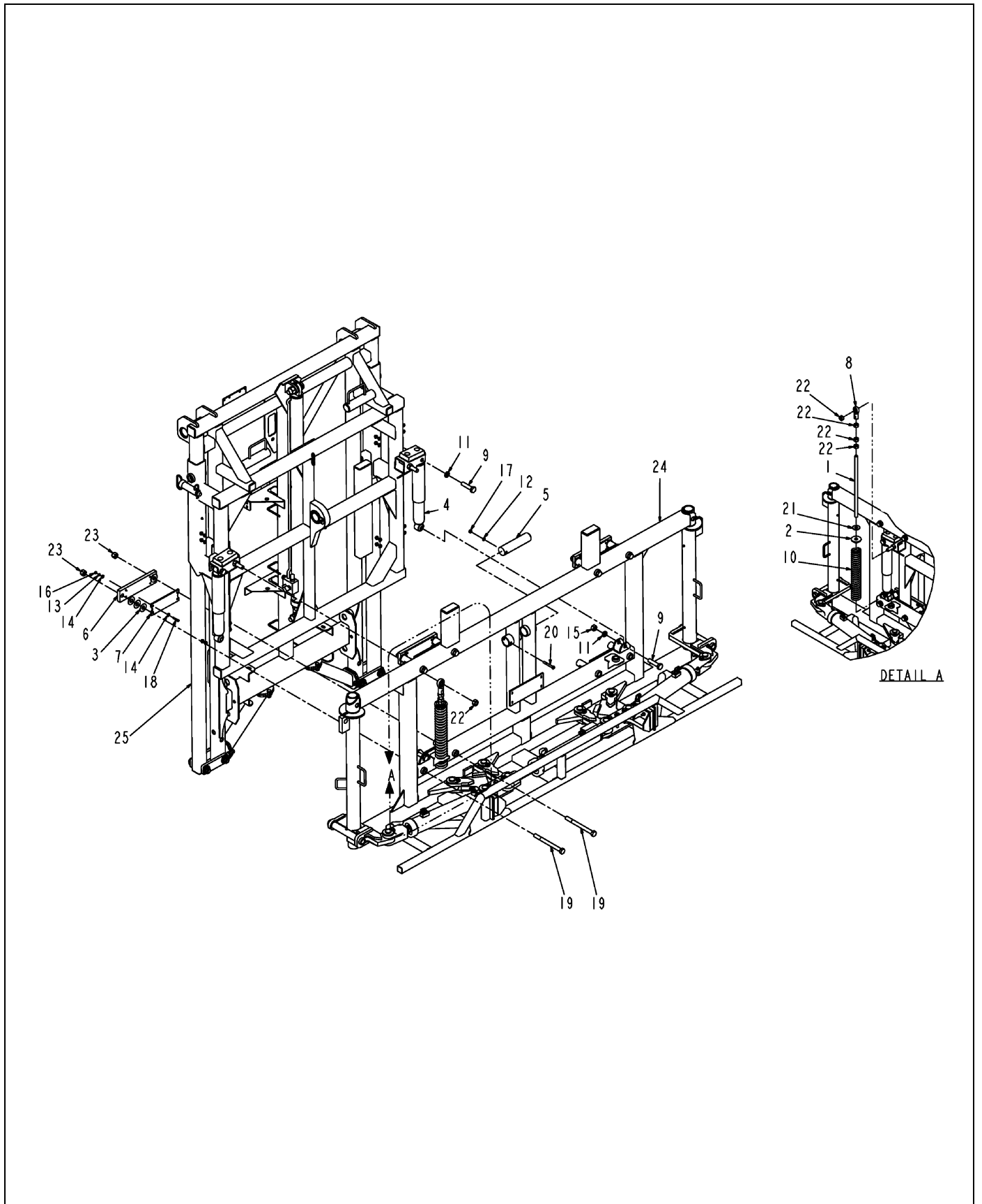
ITEM	PART #	QTY	DESCRIPTION	COMMENTS
5	AG136969	1	MATTING-RBR,,12X1.50X24.50	
11	AG136993	1	BUMPER INSTL-FOLD BACK,120,LH	SEE PAGE 3-63
17	AG512346	AR	3M 1300 YELLOW ADHESIVE (GAL)	
51	514333D1	1	BOOM WLDMT-INNER,120,LH	
53	516623D1	1	TIP ASM-FOLD BACK,BM,120FT,LH	SEE PAGE 3-50



512477D1-01-N562-.TIF

BOOM TREE INSTL-CTR,80/90/100

ITEM	PART #	QTY	DESCRIPTION	COMMENTS
1	AG200557	4	WLDMT PIN PIVOT	
2	AG200573	4	BOLT EYE .75NCX6.0 SHK DF GALV	
3	AG521690	8	WSHR-FLT,1.88X.81X.25,BLK,HARD	
4	AG522703	4	NUT-.75-16,G8,ZN,H	
5	AG550116	12	WASHER 0.75 FL ZN REG TYPE-B	
6	AG550124	6	NUT 0.50-13NC HEX ZN REG	
7	AG550264	6	WASHER 0.50 LK ZN REG	
8	AG550353	12	WASHER 0.50 FL ZN REG TYPE-B	
9	AG553956	6	BOLT 0.50-13NCX 1.75 G5 ZN HHD	
10	AG561199	4	PIN COTTER 0.18X2.50 ZN	
11	AG561201	4	BOLT 0.75-16NFX 2.25 G8 ZN HHD	
12	AG562537	8	NUT 0.75-10NC HEX GALV REG OSZ	
13	512478D1	1	BOOM TREE ASM-CTR,80/90/100FT	SEE PAGE 3-28

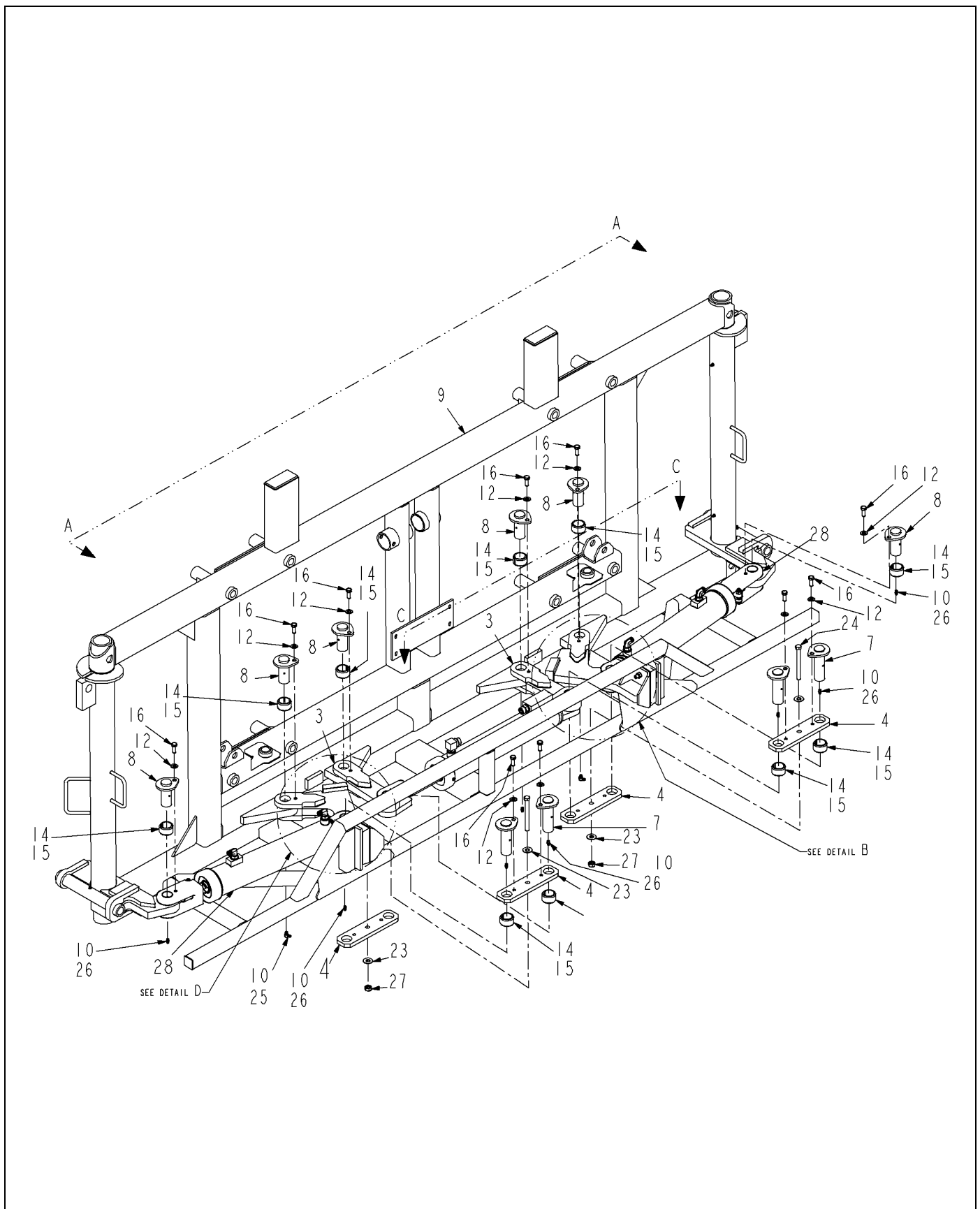


512478D1-01-N562-.TIF

BOOM TREE ASM-CTR,80/90/100FT

ITEM	PART #	QTY	DESCRIPTION	COMMENTS
1	AG108268	2	ROD THREADED	
2	AG108604	2	SPRING RETAINER WLDMT	
3	AG108622	24	WASHER FLAT THIN	
4	AG136741	2	SHOCK-GAS,ADJ,3 POSITION	
5	AG229652	1	SHAFT BOOM PIVOT	
6	AG229659	4	PLATE MOUNT WEAR PAD	
7	AG229661	4	PAD WEAR	
8	AG517248	2	ROD END BALL JOINT	
9	AG517993	4	BOLT 0.75-10NCX 3.25 G5 ZN HHD	
10	AG518092	2	SPRING COMPRESSION .44X16.50	
11	AG550108	4	WASHER 0.75 LK ZN REG	
12	AG550191	1	WASHER 0.37 LK ZN REG	
13	AG550493	16	WASHER 0.25 LK ZN REG	
14	AG550507	32	WASHER 0.25 FL ZN REG TYPE-B	
15	AG550590	2	NUT 0.75-10NC HEX ZN REG	
16	AG550612	16	NUT 0.25-20NC HEX ZN REG	
17	AG550825	1	NUT 0.37-16NC HEX ZN REG	
18	AG550949	16	BOLT 0.25-20NCX 1.50 G5 ZN HHD	
19	AG553646	8	BOLT 0.75-10NCX 8.50 G5 ZN HHD	
20	AG561072	1	BOLT 0.37-16NCX 3.00 G5 ZN HHD	
21	AG561156	2	WASHER 0.75 FL ZN SAE TYPE-A	
22	AG562291	8	NUT 0.75-16NF HEX ZN REG	
23	AG603864	8	NUT 0.75-10NC HEX ZN REG NY	
24	512479D1	1	BOOM ASM-CTR,80/90/100FT	SEE PAGE 3-30
25	512482D1	1	TREE ASM-BOOM,CTR,2.50 SLIDE	SEE PAGE 3-31

BOOM ASM-CTR,80/90/100FT

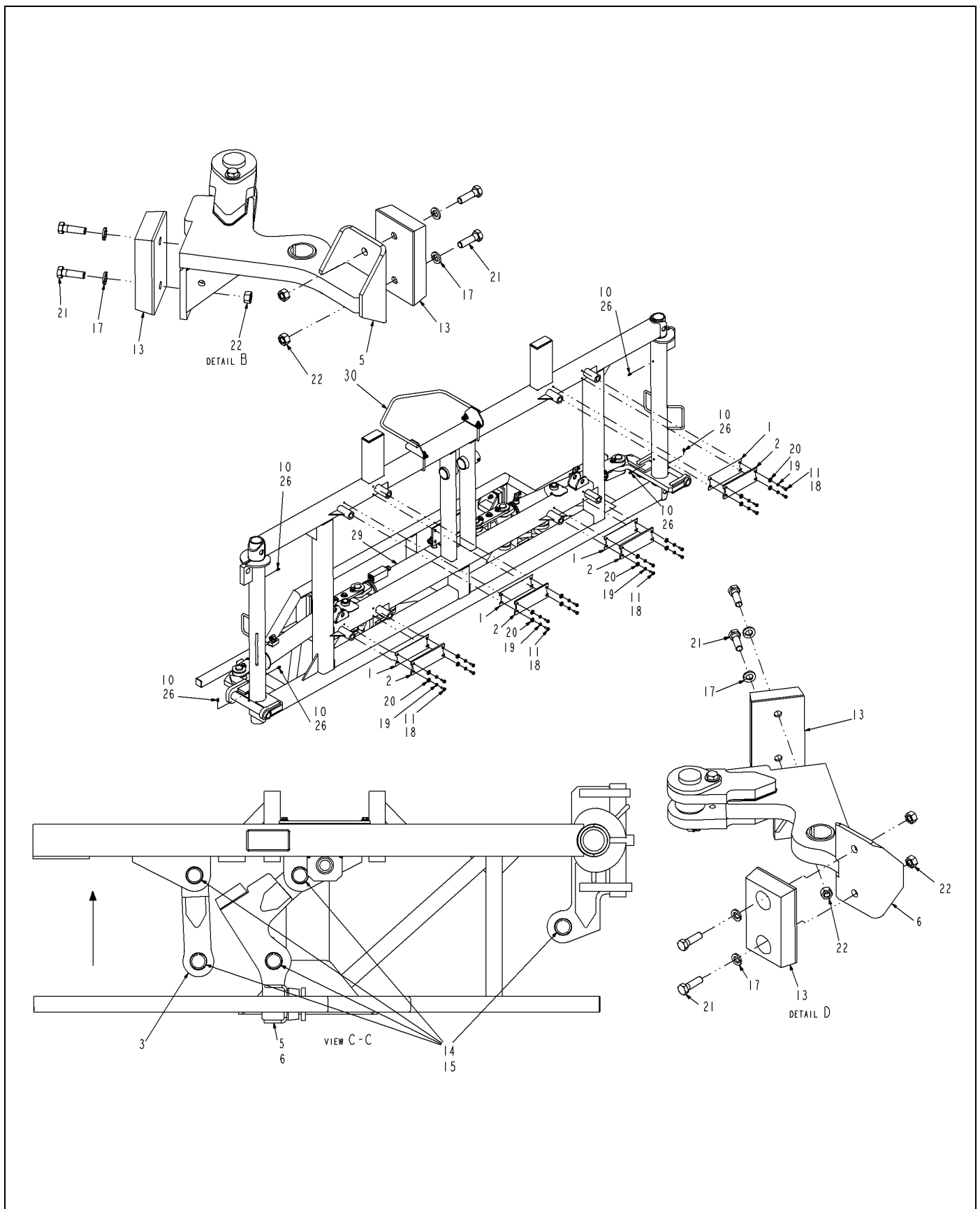


512479D1-02-R506-01.TIF

BOOM ASM-CTR,80/90/100FT

ITEM	PART #	QTY	DESCRIPTION	COMMENTS
3	AG261821	2	PIVOT WLDMT-LINK	
4	AG261822	4	PLATE-LINK	
7	AG328805	4	PIN WLDMT-SUPPORT,CENTER	
8	AG328806	6	PIN WLDMT-SUPPORT	
9	AG504622	1	CENTER WLDMT-BOOM	
10	AG511099	AR	GREASE-MULTI PURPOSE LITH.	
12	AG514559	10	WASHER 0.37 FL ZN SAE TYP-A G8	
14	AG522925	10	BUSHING-1.25 ID X1.625 OD	
15	AG522980	AR	LOCTITE-603,GREEN	
16	AG550175	10	BOLT 0.37-16NCX 1.00 G5 ZN HHD	
23	AG551406	4	WASHER 0.43 FL ZN REG TYPE-B	
24	AG558796	2	BOLT 0.43-14NCX 4.50 G5 ZN HHD	
25	AG561826	2	FITTING LUBE 0.25-28 NF 90D	
26	AG561892	14	FITTING LUBE STR 0.25UNF	
27	AG562193	2	NUT 0.43-14NC HEX ZN C-LK	
28	512480D1	2	CYLINDER ASM-BOOM SWING	SEE PAGE 5-1

BOOM ASM-CTR,80/90/100FT

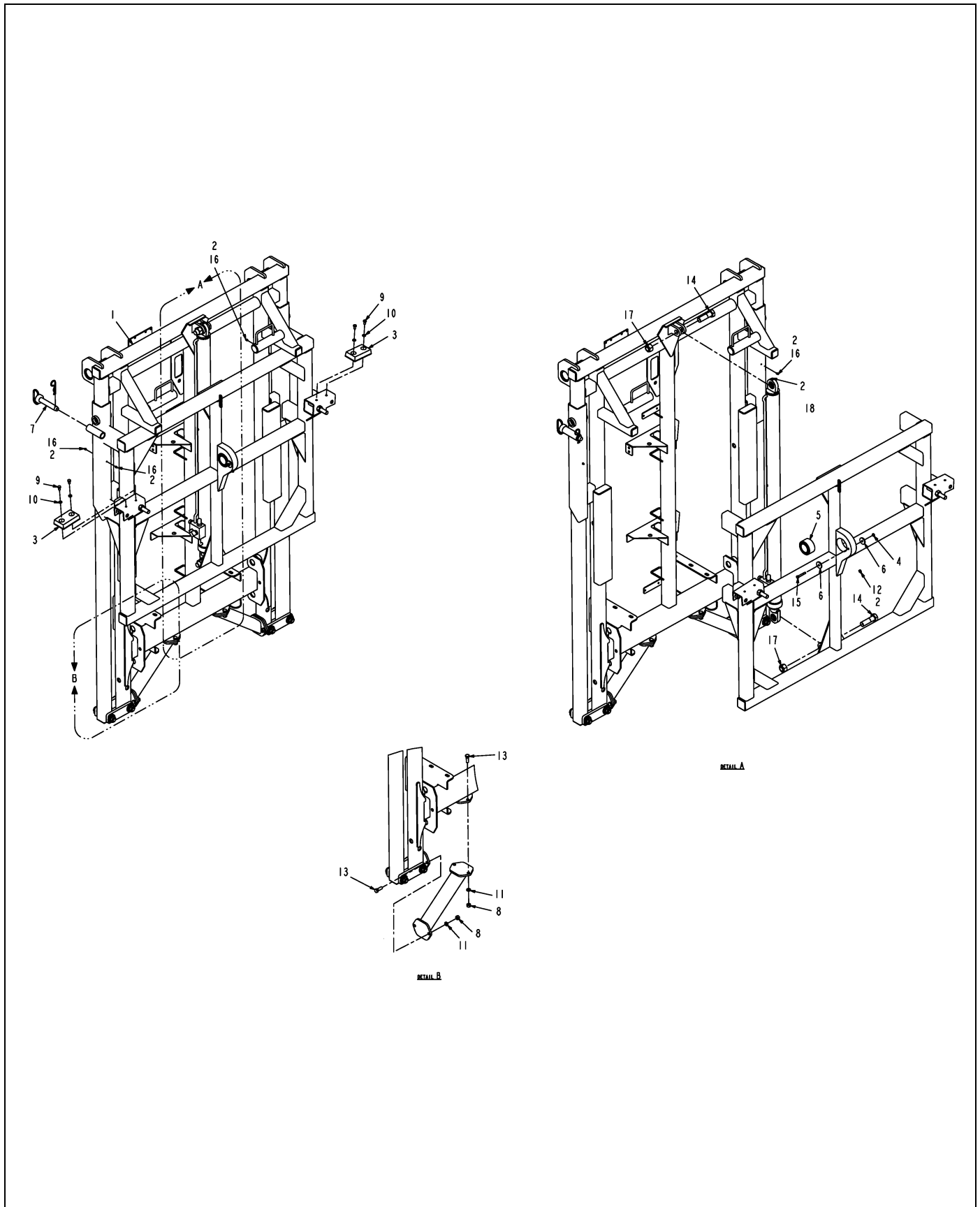


512479D1-02-R506-02.TIF

BOOM ASM-CTR,80/90/100FT

ITEM	PART #	QTY	DESCRIPTION	COMMENTS
1	AG229660	4	PLATE SHIM	
2	AG229661	4	PAD WEAR	
3	AG261821	2	PIVOT WLDMT-LINK	
5	AG327314	1	PIVOT WLDMT-RH	
6	AG327315	1	PIVOT WLDMT-LH	
10	AG511099	AR	GREASE-MULTI PURPOSE LITH.	
11	AG512885	AR	LOCTITE ADHESIVE SEALANT BLUE	
13	AG514814	4	BUMPER PAD	
14	AG522925	10	BUSHING-1.25 ID X1.625 OD	
15	AG522980	AR	LOCTITE-603, GREEN	
17	AG550191	8	WASHER 0.37 LK ZN REG	
18	AG550485	16	BOLT 0.25-20NCX 0.75 G5 ZN HHD	
19	AG550493	16	WASHER 0.25 LK ZN REG	
20	AG550507	16	WASHER 0.25 FL ZN REG TYPE-B	
21	AG550515	8	BOLT 0.37-16NCX 1.25 G5 ZN HHD	
22	AG550825	6	NUT 0.37-16NC HEX ZN REG	
26	AG561892	14	FITTING LUBE STR 0.25UNF	
29	512481D1	1	CYLINDER ASM-BOOM BREAKAWAY	SEE PAGE 5-4
30	512658D1	1	GUARD ASM-VALVE,MSO	

TREE ASM-BOOM,CTR,2.50 SLIDE

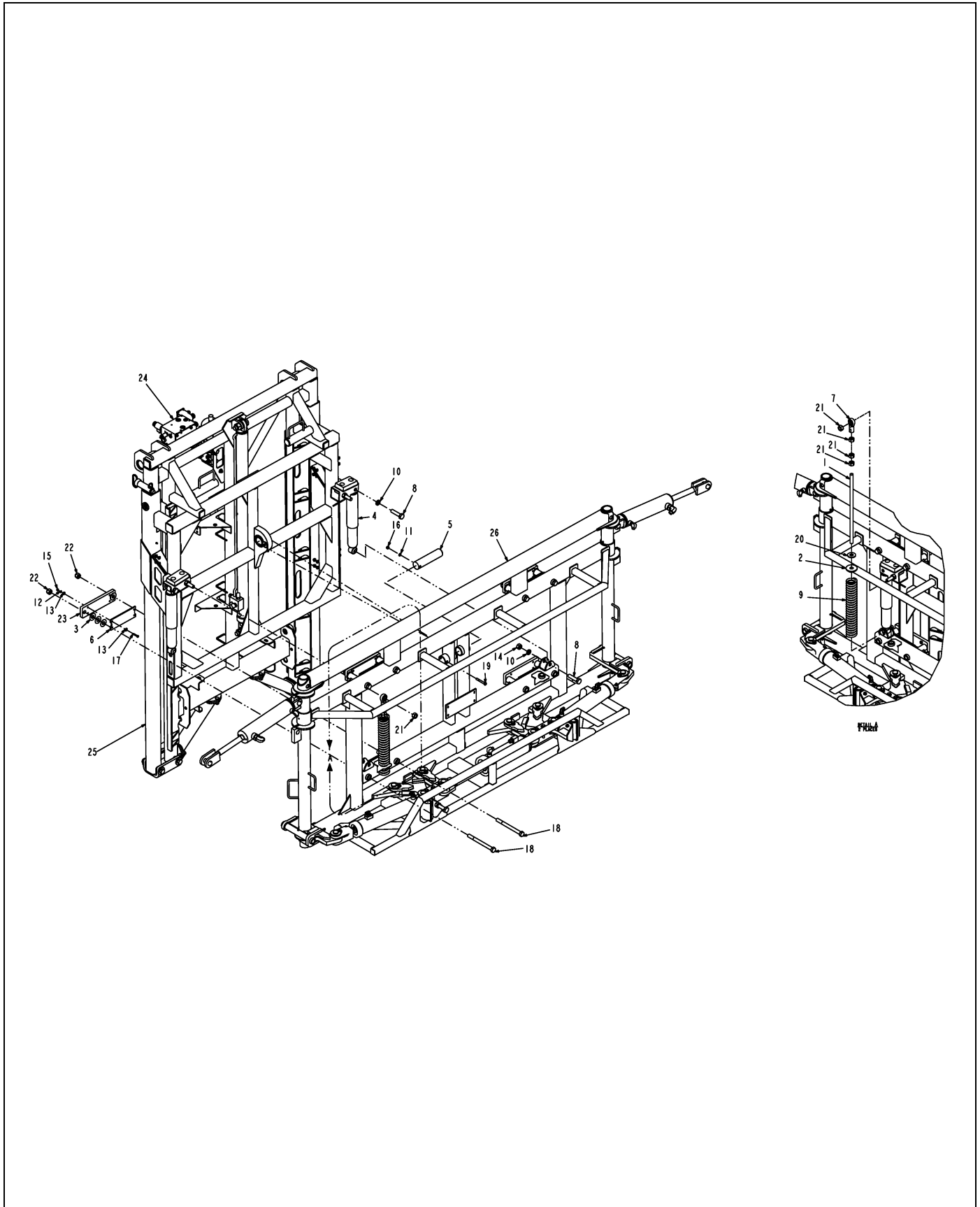


512482D1-01-N562-.TIF

TREE ASM-BOOM,CTR,2.50 SLIDE

ITEM	PART #	QTY	DESCRIPTION	COMMENTS
1	AG123005	1	BOOM TREE WLDMT	
2	AG511099	AR	GREASE-MULTI PURPOSE LITH.	
3	AG514814	2	BUMPER PAD	
4	AG516403	1	NUT 0.31-18NC HEX SS REG NY	
5	AG518032	1	BUSHING SELF ALIGNING RADIAL	[A]
6	AG518358	2	WASHER FENDER .31 X 1.50 OD	
7	AG524263	1	PIN-HITCH,1.00X4.50	
8	AG550124	8	NUT 0.50-13NC HEX ZN REG	
9	AG550167	4	BOLT 0.37-16NCX 0.62 G5 ZN HHD	
10	AG550191	4	WASHER 0.37 LK ZN REG	
11	AG550264	8	WASHER 0.50 LK ZN REG	
12	AG550280	1	FITTING LUB.12-27NPTFX0.68	
13	AG550817	8	BOLT 0.50-13NCX 1.50 G5 ZN HHD	
14	AG561177	2	BOLT 1.00- 8NCX 3.50 G5 ZN HHD	
15	AG561251	1	BOLT 0.31-18NCX 2.25 G5 ZN HHD	
16	AG561892	4	FITTING LUBE STR 0.25UNF	
17	AG563036	2	LOCKNUT 1.00 IN NC HES ESNA	
18	512483D1	1	CYLINDER ASM-HOIST,BOOM	SEE PAGE 5-9
	FOOTNOTE [A]		PIN THRU BEARING-AG229652, WLDMNT BEARING PRESSED INTO - AG309764	

BOOM TREE ASM-CTR,120FT

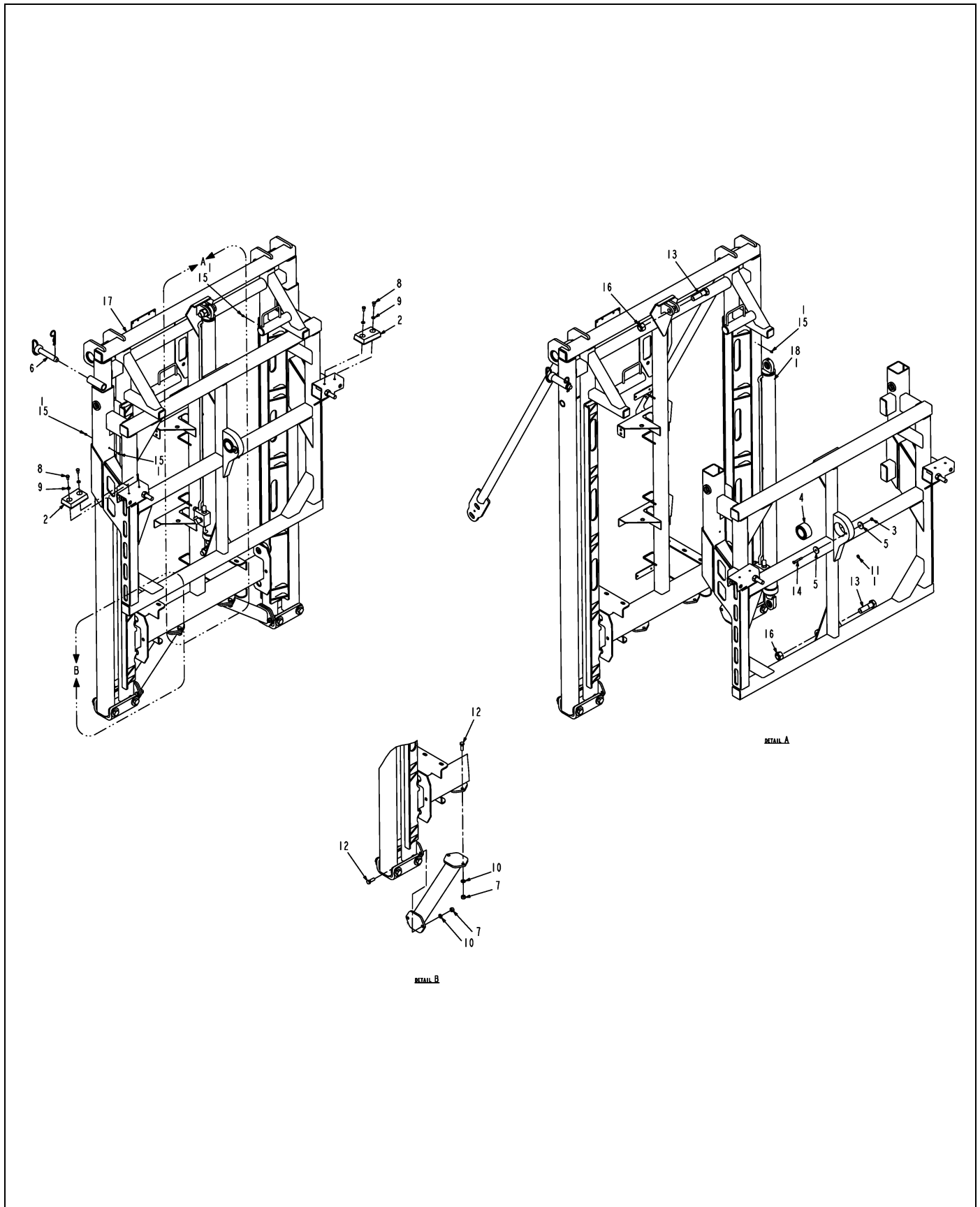


513460D1-01-N562-.TIF

BOOM TREE ASM-CTR,120FT

ITEM	PART #	QTY	DESCRIPTION	COMMENTS
1	AG108268	2	ROD THREADED	
2	AG108604	2	SPRING RETAINER WLDMT	
3	AG108622	24	WASHER FLAT THIN	
4	AG136741	2	SHOCK-GAS,ADJ,3 POSITION	
5	AG229652	1	SHAFT BOOM PIVOT	
6	AG229661	4	PAD WEAR	
7	AG517248	2	ROD END BALL JOINT	
8	AG517993	4	BOLT 0.75-10NCX 3.25 G5 ZN HHD	
9	AG518092	2	SPRING COMPRESSION .44X16.50	
10	AG550108	4	WASHER 0.75 LK ZN REG	
11	AG550191	1	WASHER 0.37 LK ZN REG	
12	AG550493	16	WASHER 0.25 LK ZN REG	
13	AG550507	32	WASHER 0.25 FL ZN REG TYPE-B	
14	AG550590	2	NUT 0.75-10NC HEX ZN REG	
15	AG550612	16	NUT 0.25-20NC HEX ZN REG	
16	AG550825	1	NUT 0.37-16NC HEX ZN REG	
17	AG550949	16	BOLT 0.25-20NCX 1.50 G5 ZN HHD	
18	AG553646	8	BOLT 0.75-10NCX 8.50 G5 ZN HHD	
19	AG561072	1	BOLT 0.37-16NCX 3.00 G5 ZN HHD	
20	AG561156	2	WASHER 0.75 FL ZN SAE TYPE-A	
21	AG562291	8	NUT 0.75-16NF HEX ZN REG	
22	AG603864	8	NUT 0.75-10NC HEX ZN REG NY	
23	506593D1	4	PLATE-MTG,HEAVY,WEAR PAD	
24	512599D1	1	BLOCK INSTL-HYD,BM/AUTOBOOM,G2	SEE PAGE 5-28
25	513461D1	1	TREE ASM-BOOM,CENTER,3.00 SL	SEE PAGE 3-33
26	513462D1	1	BOOM ASM-CENTER,120	SEE PAGE 3-35
27	513463D1	1	HOSE INSTL-HYD,W/AUTOBM,BM,120	SEE PAGE 11-14

TREE ASM-BOOM,CENTER,3.00 SL

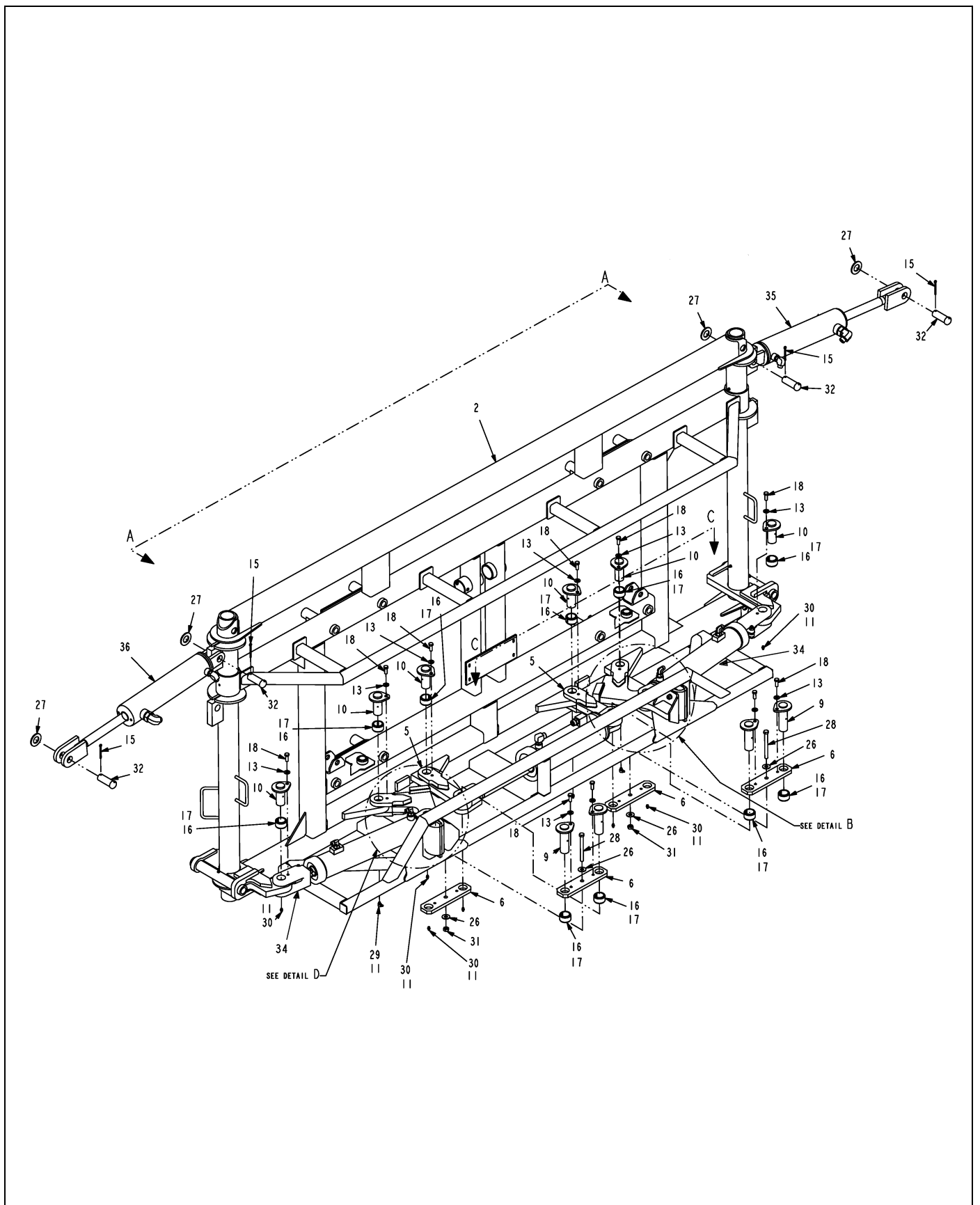


513461D1-02-N812-.TIF

TREE ASM-BOOM,CENTER,3.00 SL

ITEM	PART #	QTY	DESCRIPTION	COMMENTS
1	AG511099	AR	GREASE-MULTI PURPOSE LITH.	
2	AG514814	2	BUMPER PAD	
3	AG516403	1	NUT 0.31-18NC HEX SS REG NY	
4	AG518032	1	BUSHING SELF ALIGNING RADIAL	[A]
5	AG518358	2	WASHER FENDER .31 X 1.50 OD	
6	AG524263	1	PIN-HITCH,1.00X4.50	
7	AG550124	8	NUT 0.50-13NC HEX ZN REG	
8	AG550167	4	BOLT 0.37-16NCX 0.62 G5 ZN HHD	
9	AG550191	4	WASHER 0.37 LK ZN REG	
10	AG550264	8	WASHER 0.50 LK ZN REG	
11	AG550280	1	FITTING LUB.12-27NPTFX0.68	
12	AG550817	8	BOLT 0.50-13NCX 1.50 G5 ZN HHD	
13	AG561177	2	BOLT 1.00- 8NCX 3.50 G5 ZN HHD	
14	AG561251	1	BOLT 0.31-18NCX 2.25 G5 ZN HHD	
15	AG561892	4	FITTING LUBE STR 0.25UNF	
16	AG563036	2	LOCKNUT 1.00 IN NC HES ESNA	
17	506321D1	1	BOOM TREE WLDMT-3.00 SLIDE	
18	512483D1	1	CYLINDER ASM-HOIST,BOOM	SEE PAGE 5-9
	FOOTNOTE [A]		PIN THRU BEARING-AG229652, WLDMNT BEARING PRESSED INTO - AG309764	

BOOM ASM-CENTER,120

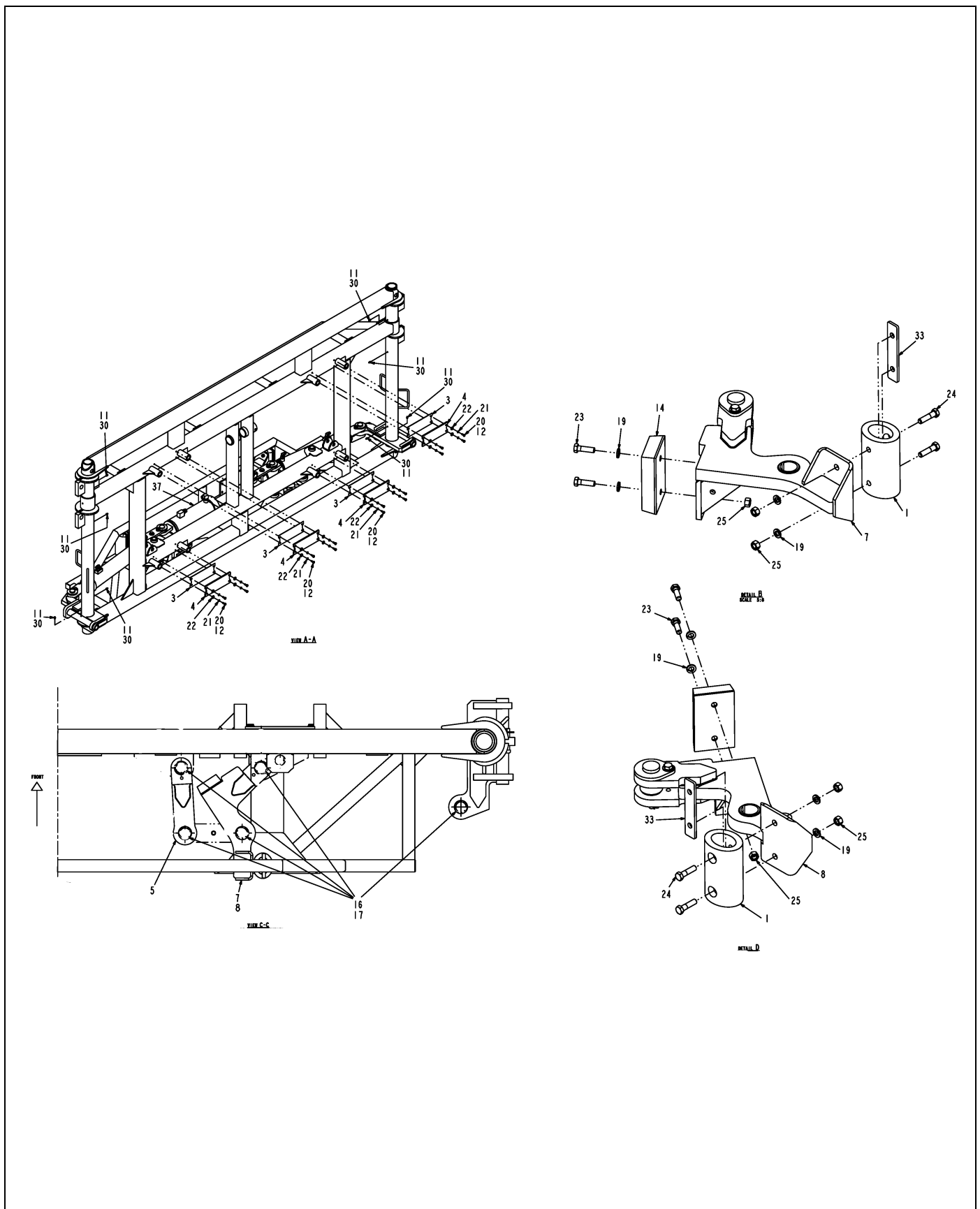


513462D1-02-N812-01.tif

BOOM ASM-CENTER,120

ITEM	PART #	QTY	DESCRIPTION	COMMENTS
2	AG136949	1	CENTER WLDMT-BOOM,120	
5	AG261821	2	PIVOT WLDMT-LINK	
6	AG261822	4	PLATE-LINK	
9	AG328805	4	PIN WLDMT-SUPPORT,CENTER	
10	AG328806	6	PIN WLDMT-SUPPORT	
11	AG511099	AR	GREASE-MULTI PURPOSE LITH.	
13	AG514559	10	WASHER 0.37 FL ZN SAE TYP-A G8	
15	AG515352	4	PIN COTTER 0.18X2.00 SS	
16	AG522925	10	BUSHING-1.25 ID X1.625 OD	
17	AG522980	AR	LOCTITE-603,GREEN	
18	AG550175	10	BOLT 0.37-16NCX 1.00 G5 ZN HHD	
26	AG551406	4	WASHER 0.43 FL ZN REG TYPE-B	
27	AG551856	4	WASHER 1.00 FL ZN SAE TYPE-A	
28	AG558796	2	BOLT 0.43-14NCX 4.50 G5 ZN HHD	
29	AG561826	2	FITTING LUBE 0.25-28 NF 90D	
30	AG561892	16	FITTING LUBE STR 0.25UNF	
31	AG562193	2	NUT 0.43-14NC HEX ZN C-LK	
32	AG602132	4	PIN CLEVIS 1.00X2.62 ZN	[A]
34	512480D1	2	CYLINDER ASM-BOOM SWING	SEE PAGE 5-1
35	513464D1	1	CYLINDER ASM-TILT,BOOM,120,RH	SEE PAGE 11-8
36	513465D1	1	CYLINDER ASM-TILT,BOOM,120,LH	SEE PAGE 11-9
	FOOTNOTE [A]		GREASABLE PIN IS 519637	

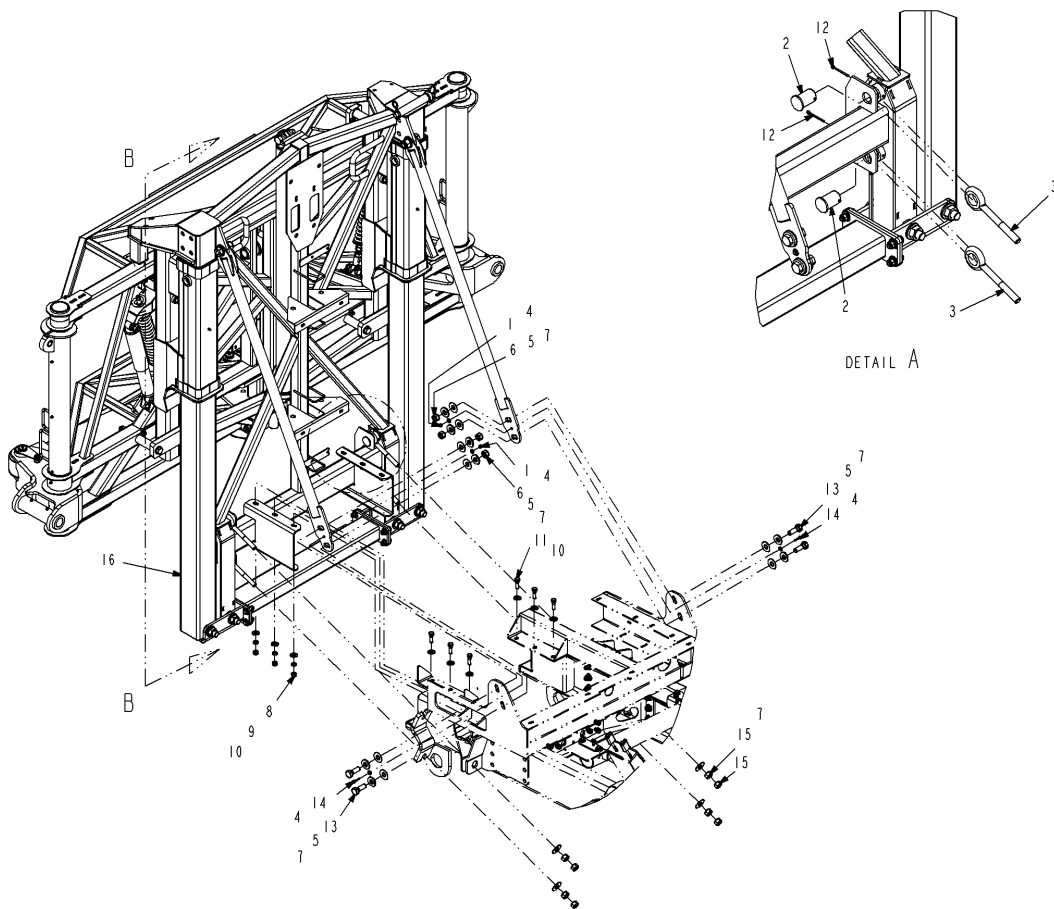
BOOM ASM-CENTER,120



513462D1-02-N812-02.TIF

BOOM ASM-CENTER,120

ITEM	PART #	QTY	DESCRIPTION	COMMENTS
1	AG136946	2	PAD-BUMP,OUTER,BRKAWAY,BM,FULL	
3	AG229660	4	PLATE SHIM	
4	AG229661	4	PAD WEAR	
5	AG261821	2	PIVOT WLDMT-LINK	
7	AG327314	1	PIVOT WLDMT-RH	
8	AG327315	1	PIVOT WLDMT-LH	
11	AG511099	AR	GREASE-MULTI PURPOSE LITH.	
12	AG512885	AR	LOCTITE ADHESIVE SEALANT BLUE	
14	AG514814	2	BUMPER PAD	
16	AG522925	10	BUSHING-1.25 ID X1.625 OD	
17	AG522980	AR	LOCTITE-603,GREEN	
19	AG550191	8	WASHER 0.37 LK ZN REG	
20	AG550485	16	BOLT 0.25-20NCX 0.75 G5 ZN HHD	
21	AG550493	16	WASHER 0.25 LK ZN REG	
22	AG550507	16	WASHER 0.25 FL ZN REG TYPE-B	
23	AG550515	4	BOLT 0.37-16NCX 1.25 G5 ZN HHD	
24	AG550779	4	BOLT 0.37-16NCX 1.50 G5 ZN HHD	
25	AG550825	6	NUT 0.37-16NC HEX ZN REG	
30	AG561892	16	FITTING LUBE STR 0.25UNF	
33	506624D1	2	PLATE-SHIM,PAD,BUMPER,7 GA	
37	513466D1	1	CYLINDER ASM-4.00,BM BREAKAWAY	SEE PAGE 11-10

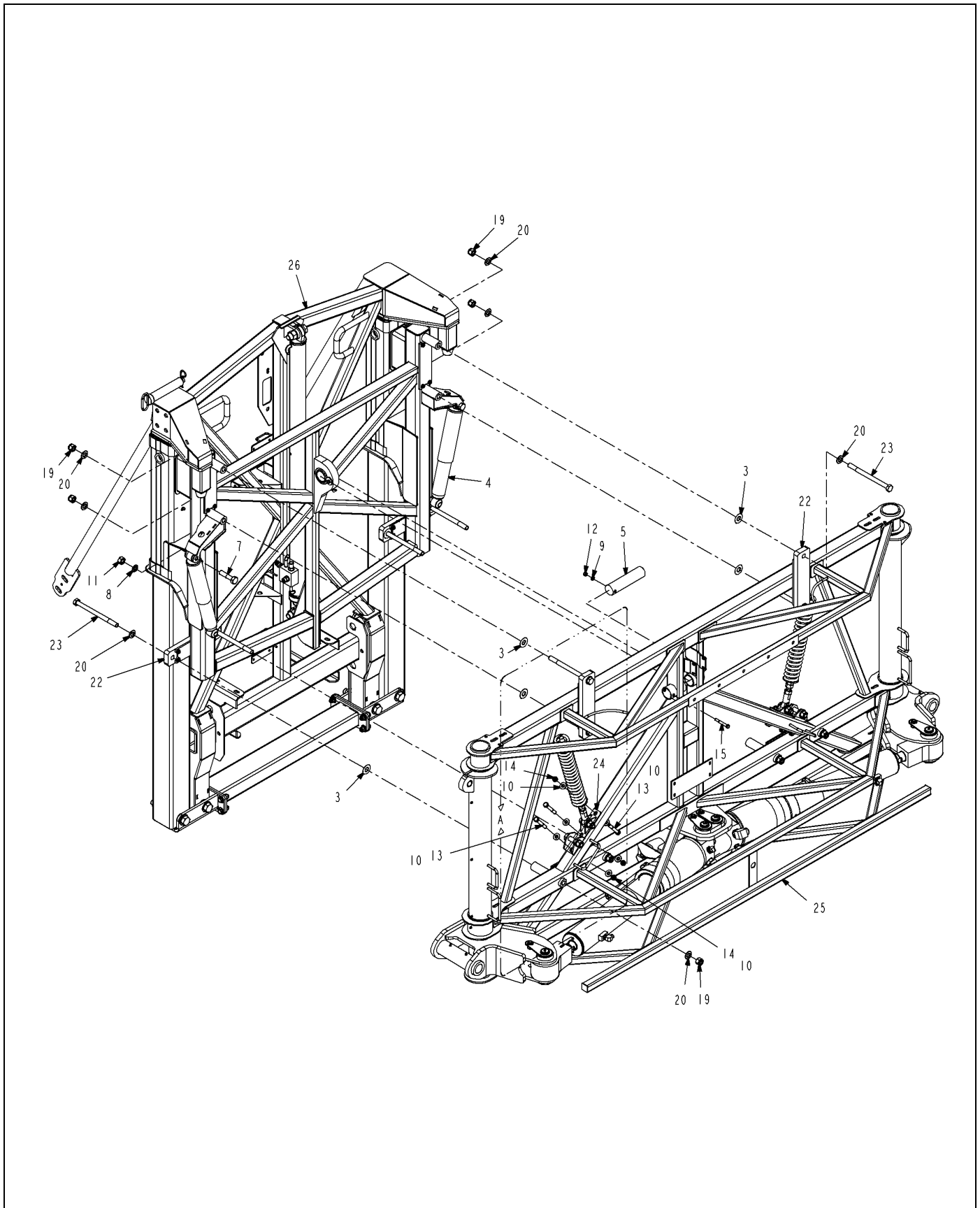


518022D1-02-R393-.TIF

TREE INSTL-BOOM,CTR,5.00 SL

ITEM	PART #	QTY	DESCRIPTION	COMMENTS
1	AG027275	2	NUT 0.25-20NC HEX SS REG NY	
2	AG200557	4	WLDMT PIN PIVOT	
3	AG200573	4	BOLT EYE .75NCX6.0 SHK DF GALV	
4	AG515121	4	WASHER 0.25 FL SS REG TYPE-B	
5	AG521690	8	WSHR-FLT,1.88X.81X.25,BLK,HARD	
6	AG522703	4	NUT-.75-16,G8,ZN,H	
7	AG550116	12	WASHER 0.75 FL ZN REG TYPE-B	
8	AG550124	6	NUT 0.50-13NC HEX ZN REG	
9	AG550264	6	WASHER 0.50 LK ZN REG	
10	AG550353	12	WASHER 0.50 FL ZN REG TYPE-B	
11	AG553956	6	BOLT 0.50-13NCX 1.75 G5 ZN HHD	
12	AG561199	4	PIN COTTER 0.18X2.50 ZN	
13	AG561201	4	BOLT 0.75-16NFX 2.25 G8 ZN HHD	
14	AG561952	2	BOLT 0.25-20NCX 1.25 SS HHD	
15	AG562537	8	NUT 0.75-10NC HEX GALV REG OSZ	
16	518024D1	1	BOOM TREE ASM-CTR,5.00 SL	SEE PAGE 3-38

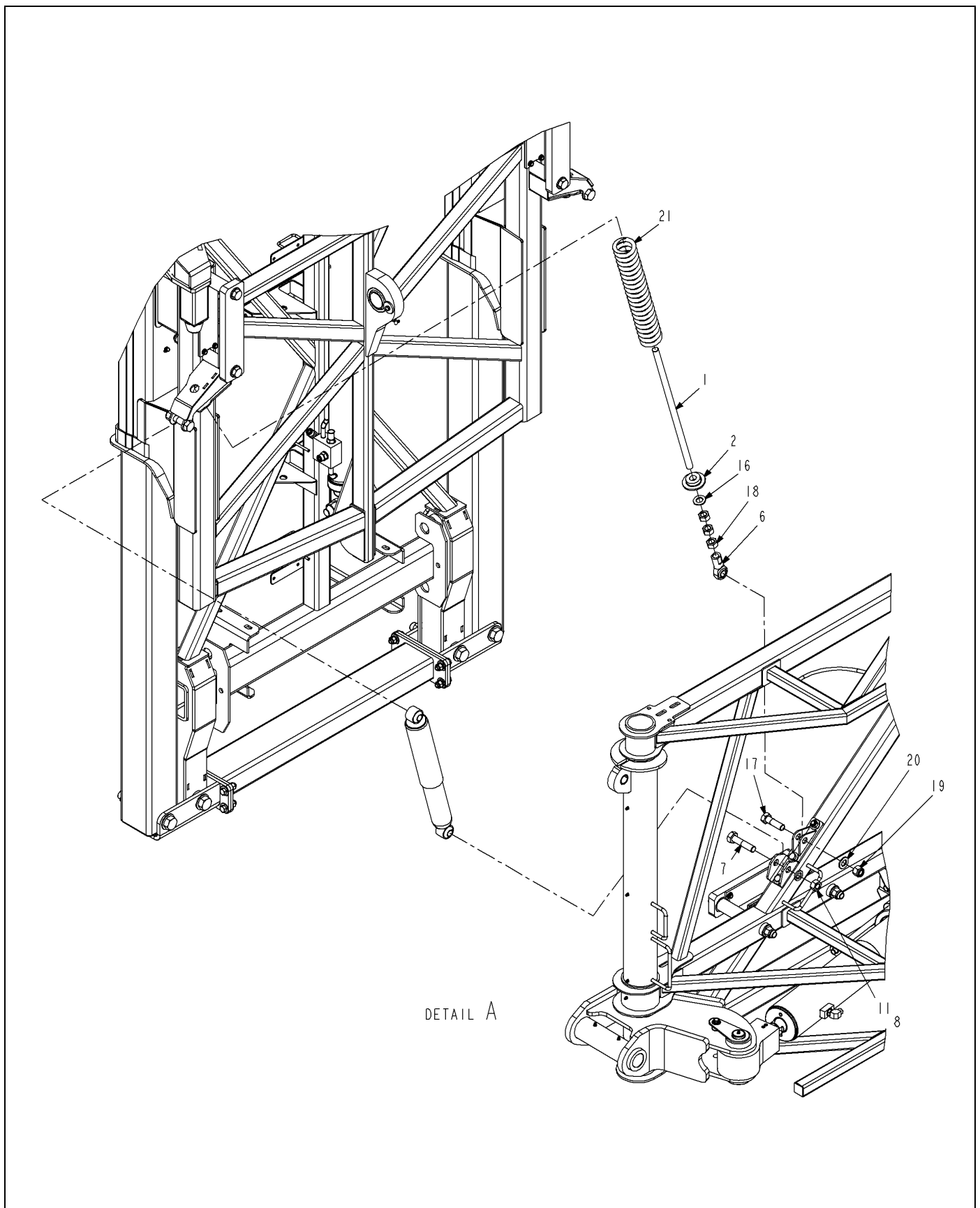
BOOM TREE ASM-CTR,5.00 SL



518024D1-02-R393-01.TIF

BOOM TREE ASM-CTR,5.00 SL

ITEM	PART #	QTY	DESCRIPTION	COMMENTS
3	AG108622	8	WASHER FLAT THIN	
4	AG136741	2	SHOCK-GAS,ADJ,3 POSITION	
5	AG229652	1	SHAFT BOOM PIVOT	
7	AG517993	4	BOLT 0.75-10NCX 3.25 G5 ZN HHD	
8	AG550108	4	WASHER 0.75 LK ZN REG	
9	AG550191	1	WASHER 0.37 LK ZN REG	
10	AG550353	12	WASHER 0.50 FL ZN REG TYPE-B	
11	AG550590	4	NUT 0.75-10NC HEX ZN REG	
12	AG550825	1	NUT 0.37-16NC HEX ZN REG	
13	AG556149	6	BOLT 0.50-13NCX 3.50 G5 ZN HHD	
14	AG559253	6	NUT 0.50-13NC HEX ZN C-LK	
15	AG561072	1	BOLT 0.37-16NCX 3.00 G5 ZN HHD	
19	AG603864	10	NUT 0.75-10NC HEX ZN REG NY	
20	AG604203	18	WASHER 0.75 FL ZN SAE TYP-A G8	
22	514846D1	4	PLATE ASM-HD,WEAR PAD	SEE PAGE 3-53
23	514995D1	8	BOLT 0.75-10NCX10.00 G8 ZN HHD	
24	515416D1	2	BRKT WLDMT-MTG,SHOCK/SPRING	
25	518023D1	1	BOOM ASM-CTR SECT,HD,120	SEE PAGE 3-40
26	518025D1	1	TREE ASM-BOOM,CENTER,5.00 SL	SEE PAGE 3-41



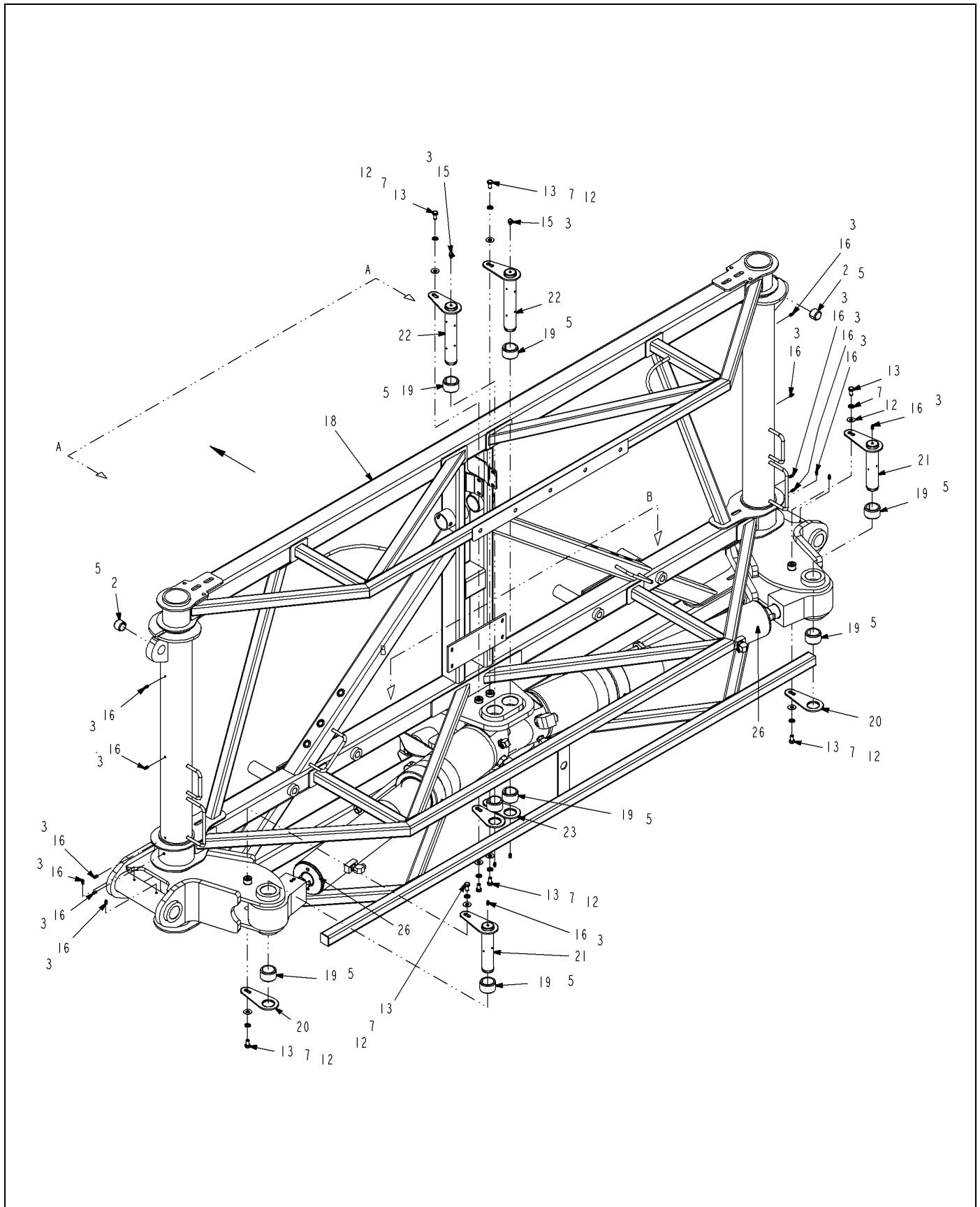
DETAIL A

518024D1-02-R393-02.TIF

BOOM TREE ASM-CTR,5.00 SL

ITEM	PART #	QTY	DESCRIPTION	COMMENTS
1	AG108268	2	ROD THREADED	
2	AG108604	2	SPRING RETAINER WLDMT	
6	AG517248	2	ROD END BALL JOINT	
7	AG517993	4	BOLT 0.75-10NCX 3.25 G5 ZN HHD	
8	AG550108	4	WASHER 0.75 LK ZN REG	
11	AG550590	4	NUT 0.75-10NC HEX ZN REG	
16	AG561156	2	WASHER 0.75 FL ZN SAE TYPE-A	
17	AG562011	2	BOLT 0.75-10NCX 2.50 G5 ZN HHD	
18	AG562291	6	NUT 0.75-16NF HEX ZN REG	
19	AG603864	10	NUT 0.75-10NC HEX ZN REG NY	
20	AG604203	18	WASHER 0.75 FL ZN SAE TYP-A G8	
21	514655D1	2	SPRING-COMPRESSION,.468 WIRE	

BOOM ASM-CTR SECT,HD,120

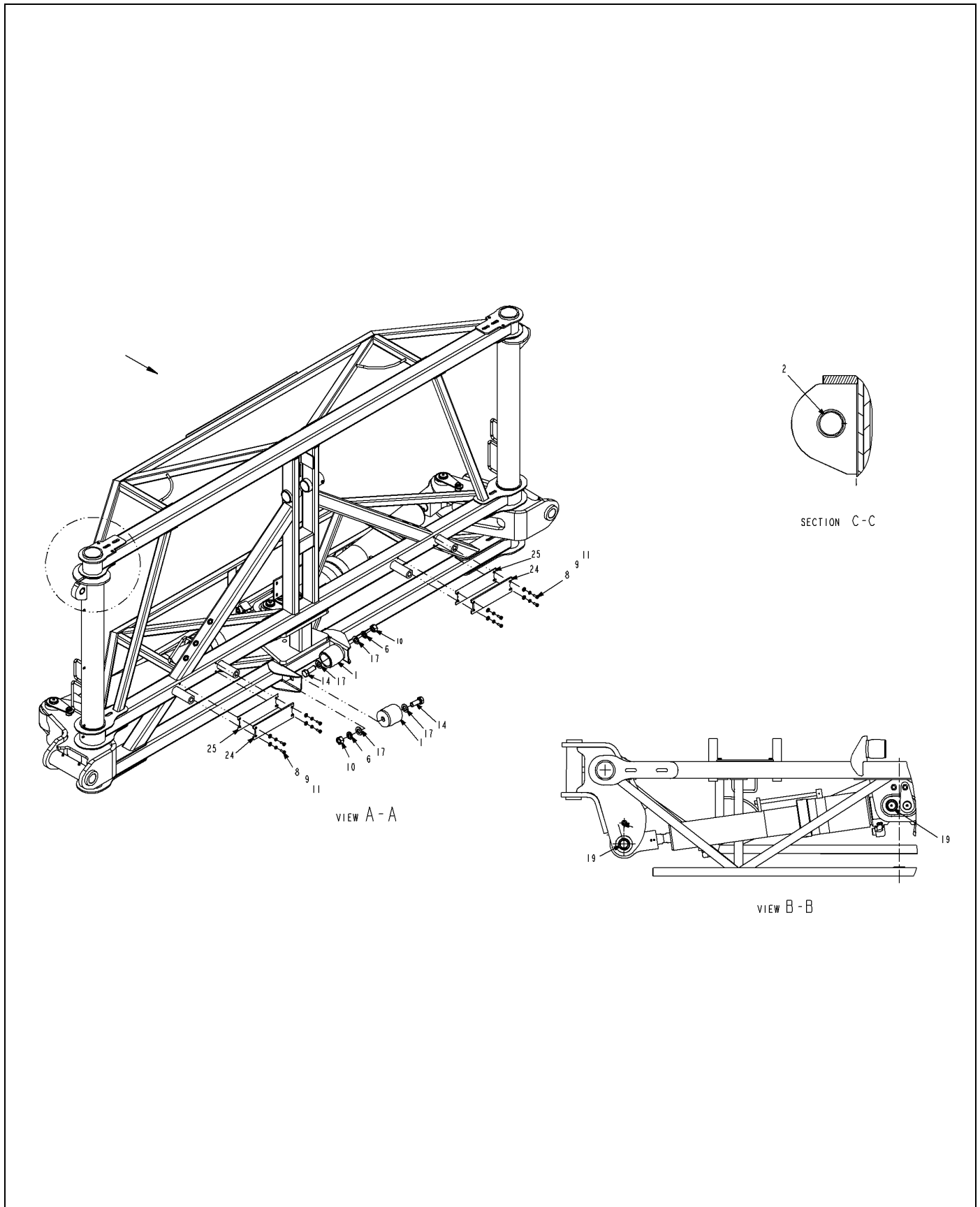


518023D1-02-R393-01.TIF

BOOM ASM-CTR SECT,HD,120

ITEM	PART #	QTY	DESCRIPTION	COMMENTS
2	AG136947	2	BUSHING-1.00ID X 1.25OD X 1.00	
3	AG511099	AR	GREASE-MULTI PURPOSE LITH.	
4	AG512885	AR	LOCTITE ADHESIVE SEALANT BLUE	
5	AG522980	AR	LOCTITE-603,GREEN	
7	AG550191	8	WASHER 0.37 LK ZN REG	
12	AG551007	8	WASHER 0.37 FL ZN REG TYPE-B	
13	AG551503	8	BOLT 0.37-16NCX 0.75 G5 ZN HHD	
15	AG561826	2	FITTING LUBE 0.25-28 NF 90D	
16	AG561892	16	FITTING LUBE STR 0.25UNF	
18	514258D1	1	BOOM WLDMT-CTR SECT,120	
19	514264D1	8	BUSHING-1.50ID X 2.00OD X 1.25	
20	514528D1	2	RETAINER-1.50 PIN,3.75 FLAG	
21	514531D1	2	PIN WLDMT-1.50 ODX6.38,3.75FLG	
22	514532D1	2	PIN WLDMT-1.50 ODX8.25,3.25FLG	
23	514535D1	2	RETAINER-1.50 PIN,3.25 FLAG	
26	518027D1	2	CYL ASM-HYD,SWG,BM,120	SEE PAGE 5-32

BOOM ASM-CTR SECT,HD,120

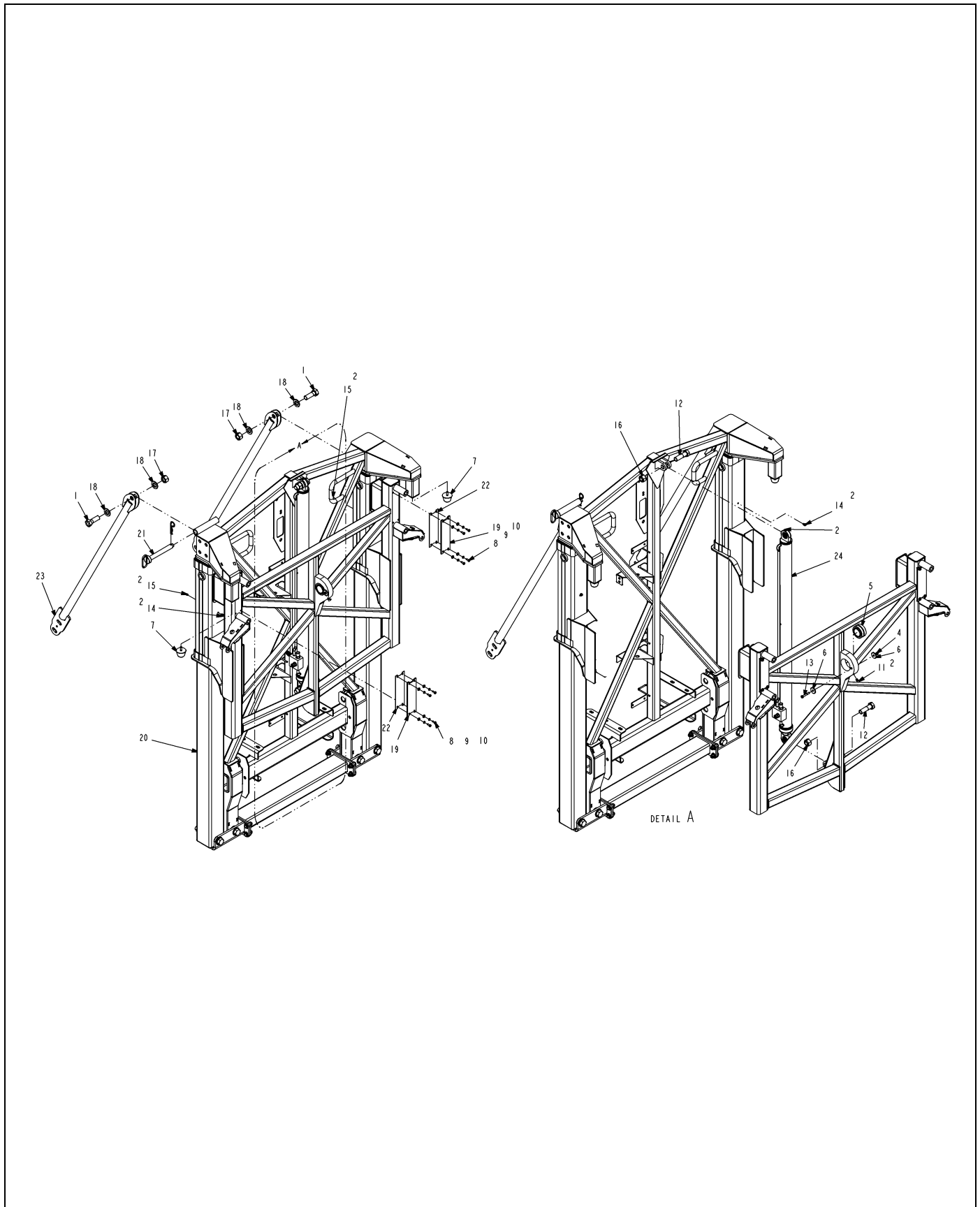


518023D1-02-R393-02.TIF

BOOM ASM-CTR SECT,HD,120

ITEM	PART #	QTY	DESCRIPTION	COMMENTS
1	WR123067	2	BUMPER-LIMIT,SUSPENSION	
2	AG136947	2	BUSHING-1.00ID X 1.25OD X 1.00	
6	AG550108	2	WASHER 0.75 LK ZN REG	
8	AG550485	8	BOLT 0.25-20NCX 0.75 G5 ZN HHD	
9	AG550493	8	WASHER 0.25 LK ZN REG	
10	AG550590	2	NUT 0.75-10NC HEX ZN REG	
11	AG550671	8	WASHER 0.25 FL ZN SAE TYPE-A	
14	AG554537	2	BOLT 0.75-10NCX 2.00 G5 ZN HHD	
17	AG604203	4	WASHER 0.75 FL ZN SAE TYP-A G8	
19	514264D1	8	BUSHING-1.50ID X 2.00OD X 1.25	
24	514715D1	2	PAD-WEAR,BOOM TREE	
25	514843D1	2	PLATE-SHIM,LONG	

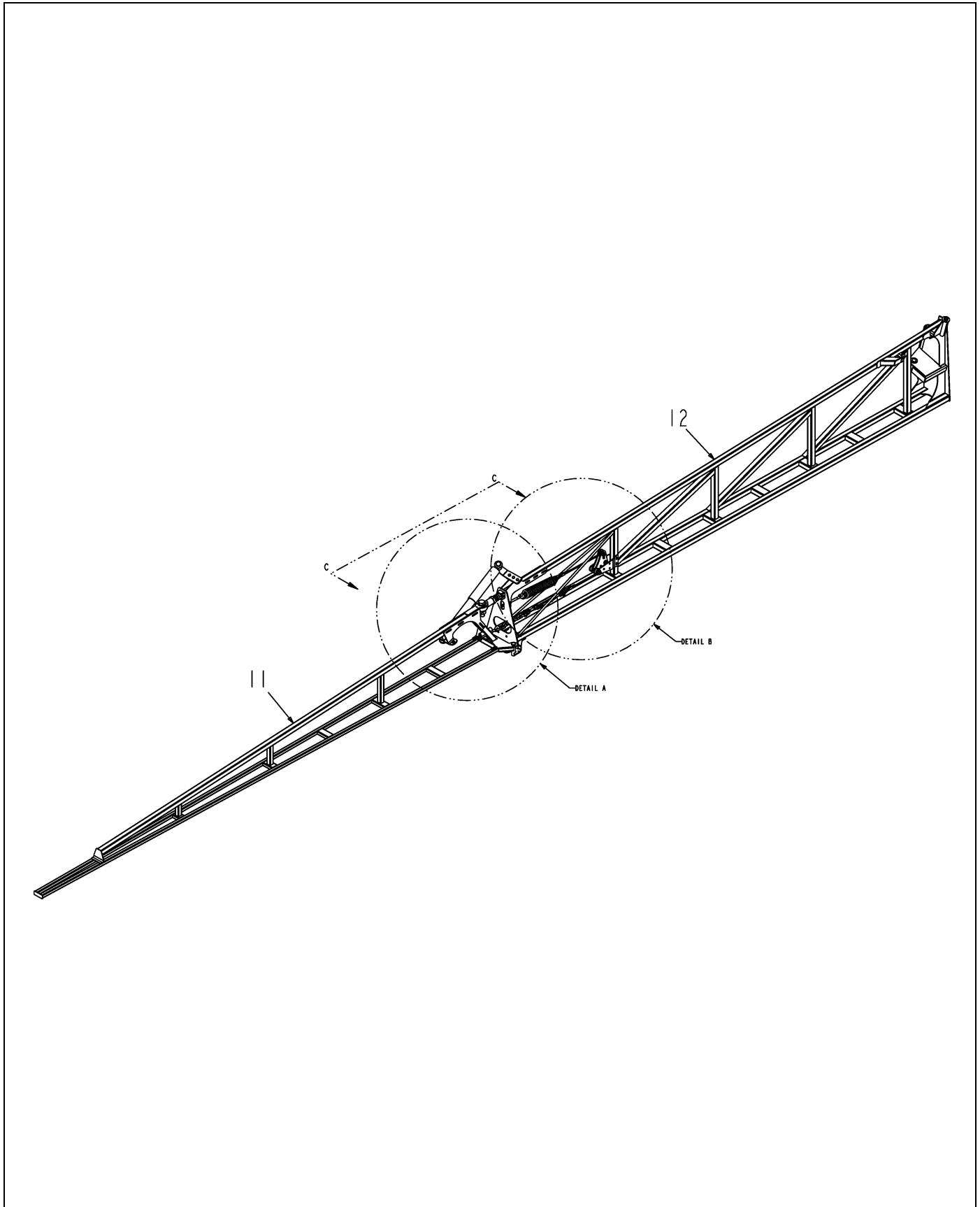
TREE ASM-BOOM,CENTER,5.00 SL



518025D1-01-R172-.TIF

TREE ASM-BOOM,CENTER,5.00 SL

ITEM	PART #	QTY	DESCRIPTION	COMMENTS
1	WR121865	2	BOLT 1.00- 8NCX 3.00 G8 ZN HHD	
2	AG511099	AR	GREASE-MULTI PURPOSE LITH.	
3	AG512885	AR	LOCTITE ADHESIVE SEALANT BLUE	
4	AG516403	1	NUT 0.31-18NC HEX SS REG NY	
5	AG518032	1	BUSHING SELF ALIGNING RADIAL	[A]
6	AG518358	2	WASHER FENDER .31 X 1.50 OD	
7	AG523175	2	BUMPER-RUBBER,SS	
8	AG550485	8	BOLT 0.25-20NCX 0.75 G5 ZN HHD	
9	AG550493	8	WASHER 0.25 LK ZN REG	
10	AG550671	8	WASHER 0.25 FL ZN SAE TYPE-A	
11	AG559083	1	FITTING LUB 90D 0.125 NPTF	
12	AG561177	2	BOLT 1.00- 8NCX 3.50 G5 ZN HHD	
13	AG561251	1	BOLT 0.31-18NCX 2.25 G5 ZN HHD	
14	AG561826	2	FITTING LUBE 0.25-28 NF 90D	
15	AG561892	2	FITTING LUBE STR 0.25UNF	
16	AG563036	2	LOCKNUT 1.00 IN NC HES ESNA	
17	401075X1	2	NUT-1.00-8NC,GR8,PHOS	
18	401076X1	4	WASHER-1.00,HARD,PHOS	
19	514715D1	2	PAD-WEAR,BOOM TREE	
20	514836D1	1	BOOM TREE ASM-SUB,5.00 SLIDE	SEE PAGE 3-48
21	514842D1	1	PIN-HITCH,1.00X7.50	
22	514843D1	2	PLATE-SHIM,LONG	
23	515573D1	2	SUPPORT WLDMT-PIPE,BOOM TREE	
24	518026D1	1	CYL ASM-HOIST,BM,5.00 SL	SEE PAGE 5-35
	FOOTNOTE [A]		PIN THRU BEARING-AG229652, WLDMNT BEARING PRESSED INTO - AG309764	

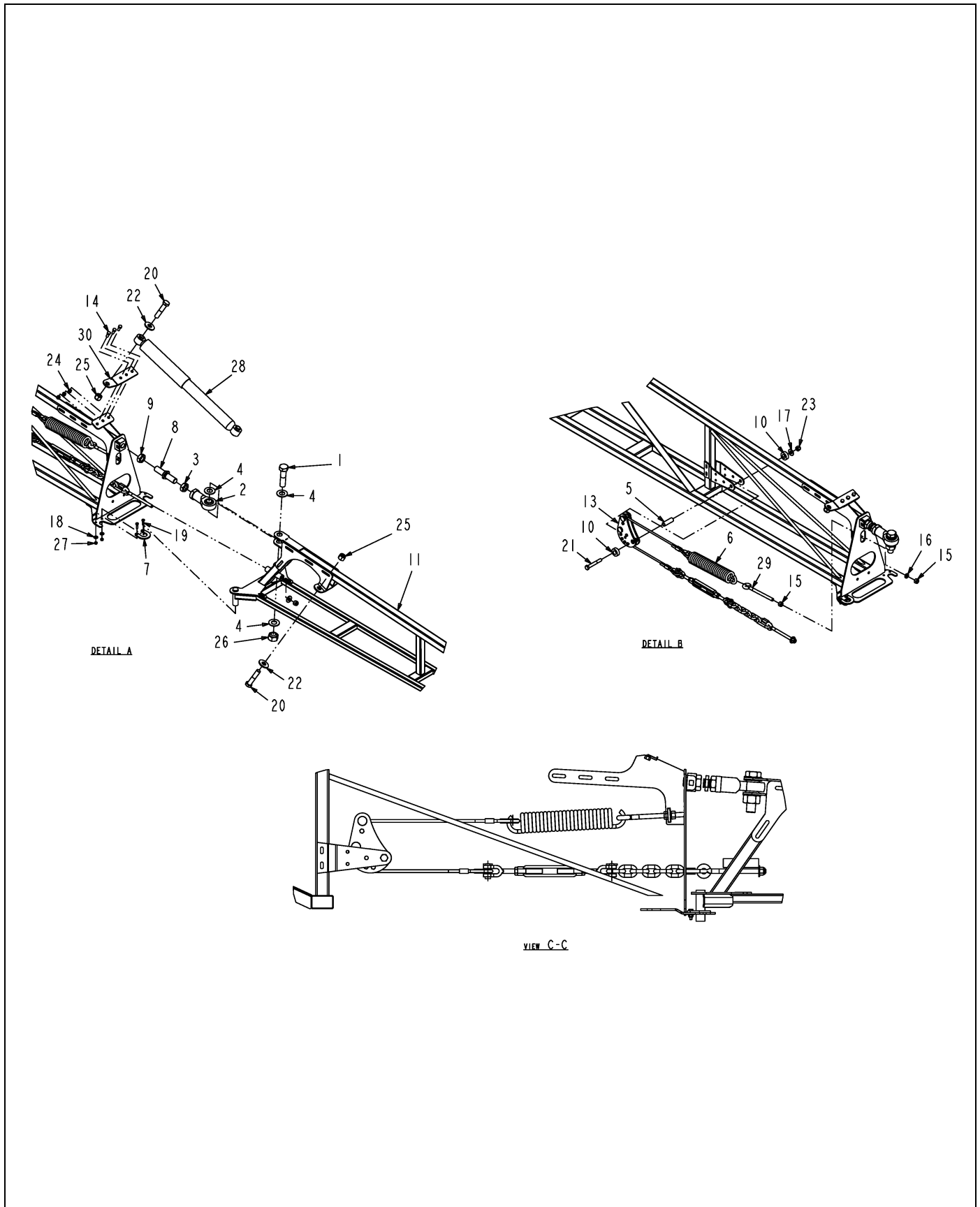


136810-03-N504-01.TIF

TIP ASM-FOLD BACK,BM,120FT,RH

ITEM	PART #	QTY	DESCRIPTION	COMMENTS
11	AG136788	1	BOOM WLDMT-TIP,BREAKAWAY,120	
12	AG136814	1	BOOM WLDMT-MID,120FT,RH	

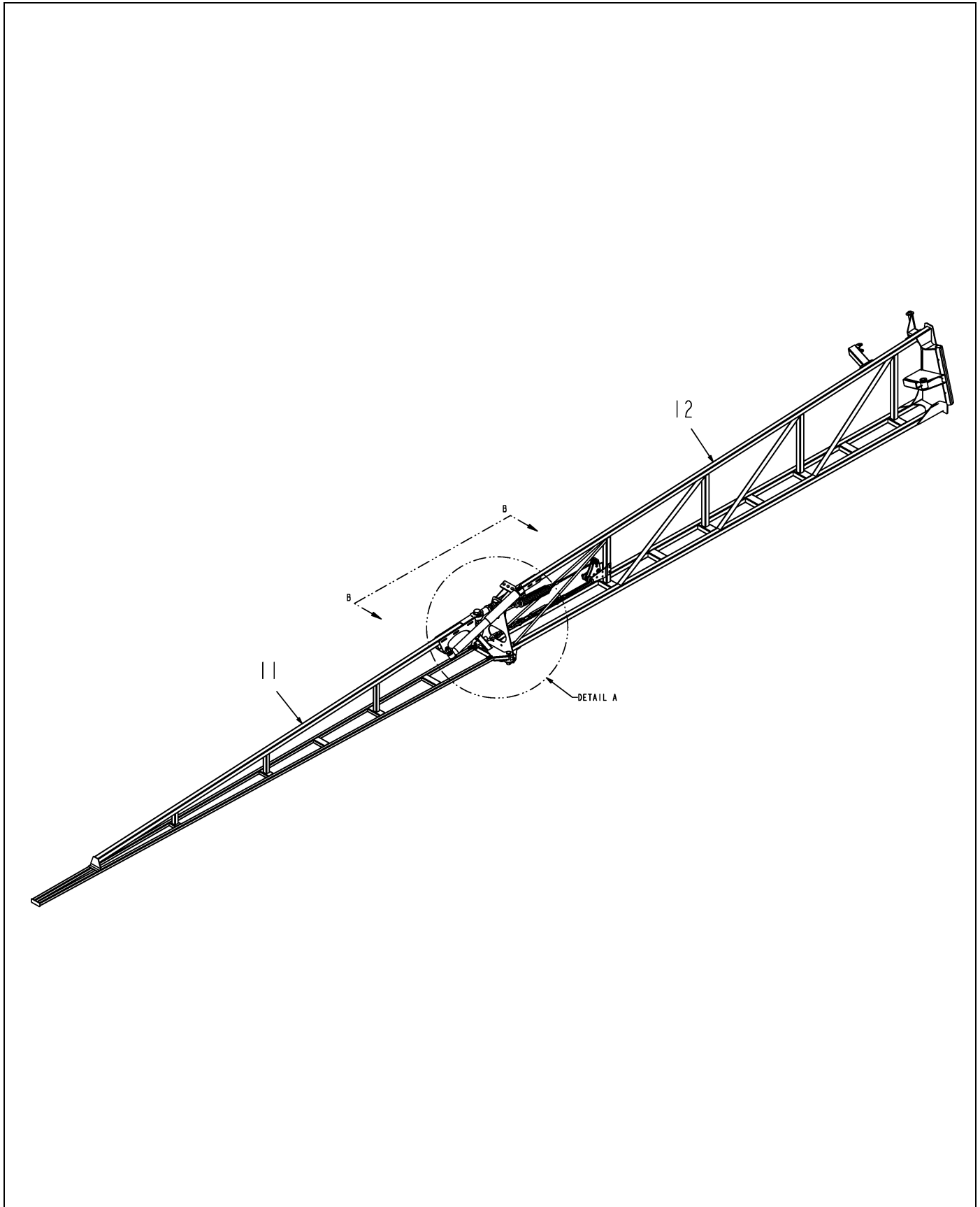
TIP ASM-FOLD BACK, BM, 120FT, RH



136810-03-N504-02.TIF

TIP ASM-FOLD BACK,BM,120FT,RH

ITEM	PART #	QTY	DESCRIPTION	COMMENTS
1	AG010220	1	BOLT 1.00- 8NCX 4.00 G5 PL HHD	
2	WR34606	1	ROD-END,1-14UNF,FEMALE	
3	WR34609	1	NUT-JAM, 1-14UNF	
4	WR55197	3	WASHER-PLAIN HRD,1 ID GRADE 8	
5	WR124539	1	BUSHING-1.5 LONGX.750DX.51D	
6	WR126491	1	SPRING-EXTENSION	
7	WR128835	1	CLAMP-BOOM PIVOT	
8	AG129192	1	BOLT-ADJUST,1-14RH,1-14LH	
9	AG129193	1	NUT-JAM,1-14 UNF,LH	
10	WR135545	2	SPACER-UHMW,1.50D X .78ID	
11	AG136788	1	BOOM WLDMT-TIP,BREAKAWAY,120	
13	AG136818	1	CAM ASM-BREAKAWAY,120FT	SEE PAGE 3-46
14	AG518500	3	BOLT 0.37-16NCX 1.00 G8 ZN HHD	
15	AG550124	2	NUT 0.50-13NC HEX ZN REG	
16	AG550264	1	WASHER 0.50 LK ZN REG	
17	AG550353	1	WASHER 0.50 FL ZN REG TYPE-B	
18	AG550507	2	WASHER 0.25 FL ZN REG TYPE-B	
19	AG550698	2	BOLT 0.25-20NCX 1.00 G5 ZN HHD	
20	AG550787	2	BOLT 0.75-10NCX 3.50 G5 ZN HHD	
21	AG556149	1	BOLT 0.50-13NCX 3.50 G5 ZN HHD	
22	AG561156	2	WASHER 0.75 FL ZN SAE TYPE-A	
23	AG601152	1	NUT 0.50-13NC HEX ZN REG NY	
24	AG601411	3	NUT 0.37-16NC HEX ZN REG NY	
25	AG603864	2	NUT 0.75-10NC HEX ZN REG NY	
26	AG604185	1	NUT 1.00-08NC HEX ZN HVY NY	
27	AG604216	2	NUT 0.25-20NC HEX ZN REG NY	
28	6623263	1	SHOCK ABSORBER-BOOM	
29	6626401	1	BOLT-EYE	
30	503475D1	1	PLATE-SHOCK,MNT	

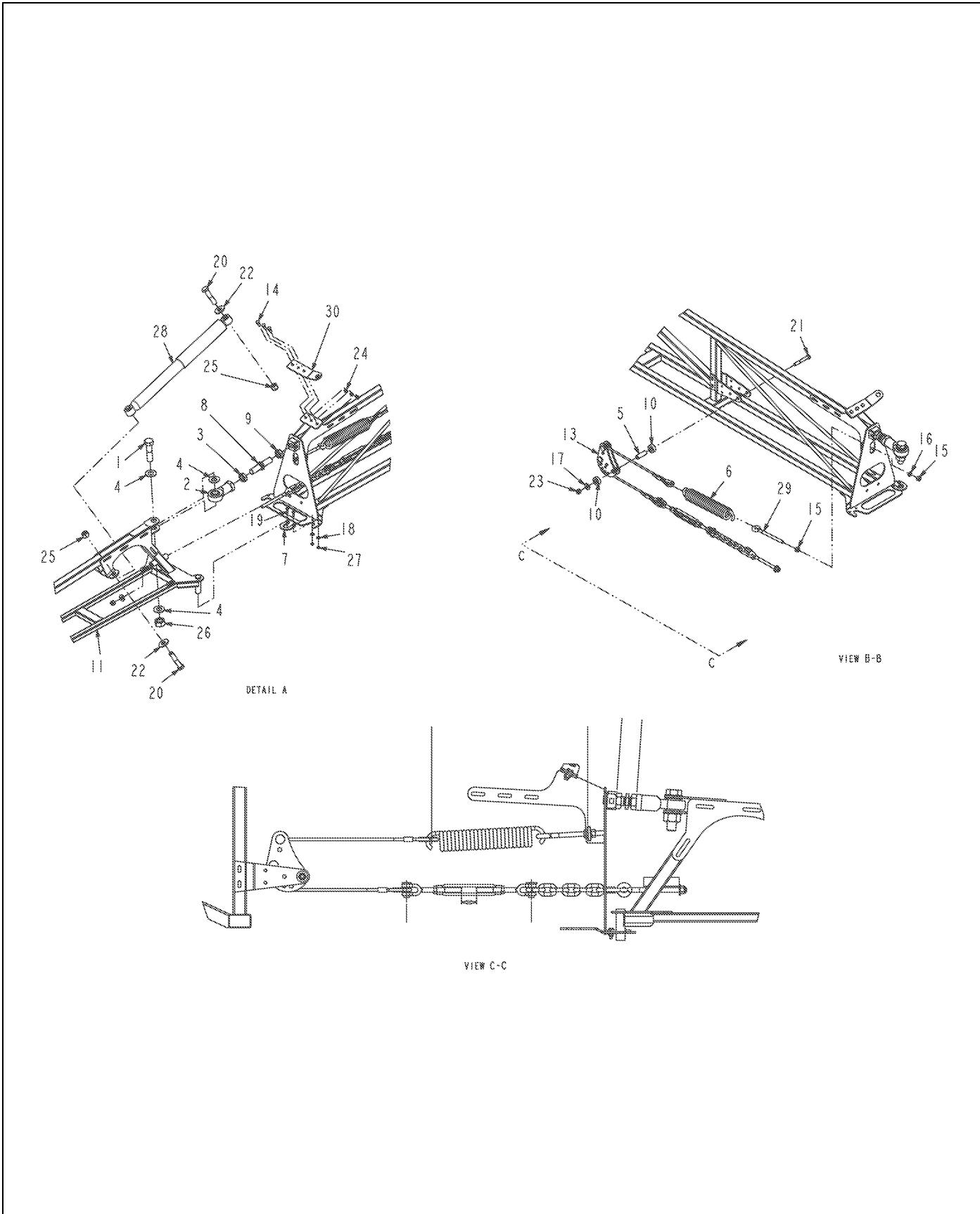


136809-02-N504-01.TIF

TIP ASM-FOLD BACK,BM,120FT,LH

ITEM	PART #	QTY	DESCRIPTION	COMMENTS
11	AG136788	1	BOOM WLDMT-TIP,BREAKAWAY,120	
12	AG136815	1	BOOM WLDMT-MID,120FT,LH	

TIP ASM-FOLD BACK, BM, 120FT, LH

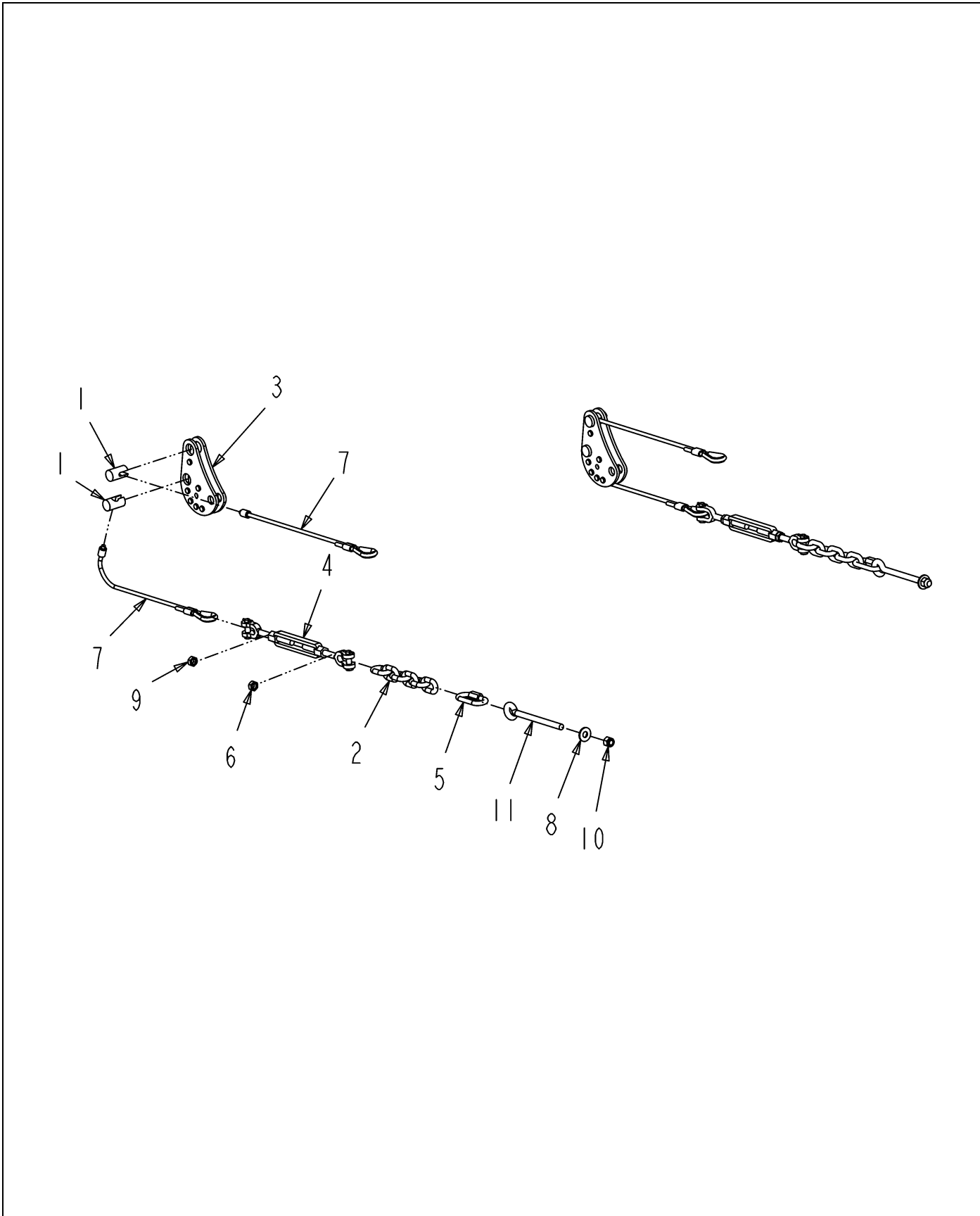


136809-02-N504-02.TIF

TIP ASM-FOLD BACK,BM,120FT,LH

ITEM	PART #	QTY	DESCRIPTION	COMMENTS
1	AG010220	1	BOLT 1.00- 8NCX 4.00 G5 PL HHD	
2	WR34606	1	ROD-END,1-14UNF,FEMALE	
3	WR34609	1	NUT-JAM, 1-14UNF	
4	WR55197	3	WASHER-PLAIN HRD,1 ID GRADE 8	
5	WR124539	1	BUSHING-1.5 LONGX.750DX.51D	
6	WR126491	1	SPRING-EXTENSION	
7	WR128835	1	CLAMP-BOOM PIVOT	
8	AG129192	1	BOLT-ADJUST,1-14RH,1-14LH	
9	AG129193	1	NUT-JAM,1-14 UNF,LH	
10	WR135545	2	SPACER-UHMW,1.50D X .78ID	
11	AG136788	1	BOOM WLDMT-TIP,BREAKAWAY,120	
13	AG136818	1	CAM ASM-BREAKAWAY,120FT	SEE PAGE 3-46
14	AG518500	3	BOLT 0.37-16NCX 1.00 G8 ZN HHD	
15	AG550124	2	NUT 0.50-13NC HEX ZN REG	
16	AG550264	1	WASHER 0.50 LK ZN REG	
17	AG550353	1	WASHER 0.50 FL ZN REG TYPE-B	
18	AG550507	2	WASHER 0.25 FL ZN REG TYPE-B	
19	AG550698	2	BOLT 0.25-20NCX 1.00 G5 ZN HHD	
20	AG550787	2	BOLT 0.75-10NCX 3.50 G5 ZN HHD	
21	AG556149	1	BOLT 0.50-13NCX 3.50 G5 ZN HHD	
22	AG561156	2	WASHER 0.75 FL ZN SAE TYPE-A	
23	AG601152	1	NUT 0.50-13NC HEX ZN REG NY	
24	AG601411	3	NUT 0.37-16NC HEX ZN REG NY	
25	AG603864	2	NUT 0.75-10NC HEX ZN REG NY	
26	AG604185	1	NUT 1.00-08NC HEX ZN HVY NY	
27	AG604216	2	NUT 0.25-20NC HEX ZN REG NY	
28	6623263	1	SHOCK ABSORBER-BOOM	
29	6626401	1	BOLT-EYE	
30	503475D1	1	PLATE-SHOCK,MNT	

CAM ASM-BREAKAWAY, 120FT

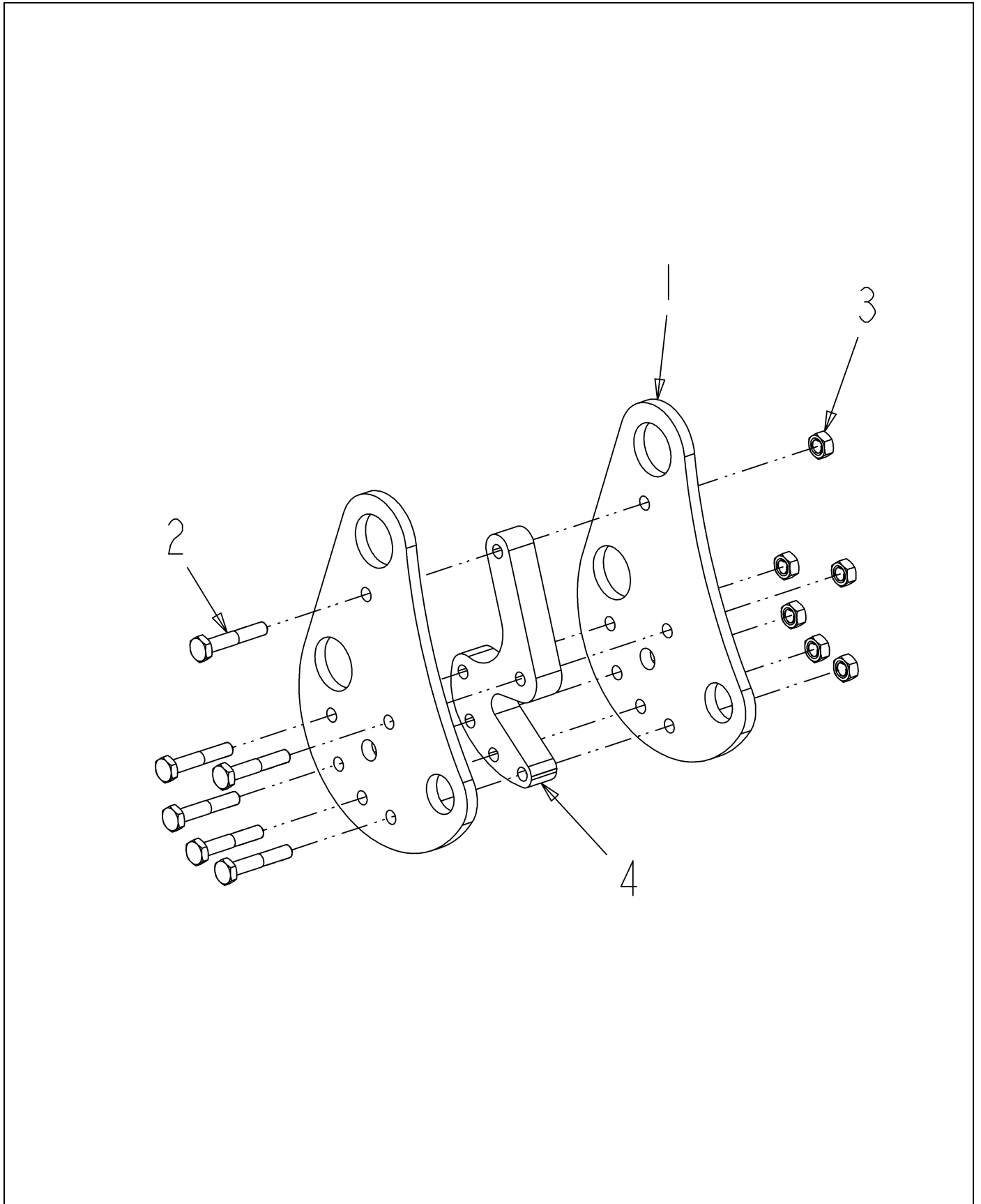


136818-01-M787-.TIF

CAM ASM-BREAKAWAY,120FT

ITEM	PART #	QTY	DESCRIPTION	COMMENTS
1	WR125301	2	PIN-CABLE STOP	
2	WR125310	1	CHAIN-BOOM BRKWAY	
3	AG128842	1	CAM ASM-BOOM BRKWAY	SEE PAGE 3-47
4	AG128843	1	TURNBUCKLE-JAW,JAW,.5X6	
5	WR129194	1	LINK-CONNECTOR, 3/8	
6	WR129706	1	NUT HEX 1/2-13 UNC LH JAM PL	
7	AG136819	2	ROPE-WIRE,.31X17.18,BUTTON FTG	
8	AG550353	1	WASHER 0.50 FL ZN REG TYPE-B	
9	AG561635	1	NUT 0.50-13NC HEX ZN JAM G5	
10	AG601152	1	NUT 0.50-13NC HEX ZN REG NY	
11	6626401	1	BOLT-EYE	

CAM ASM-BOOM BRKWAY

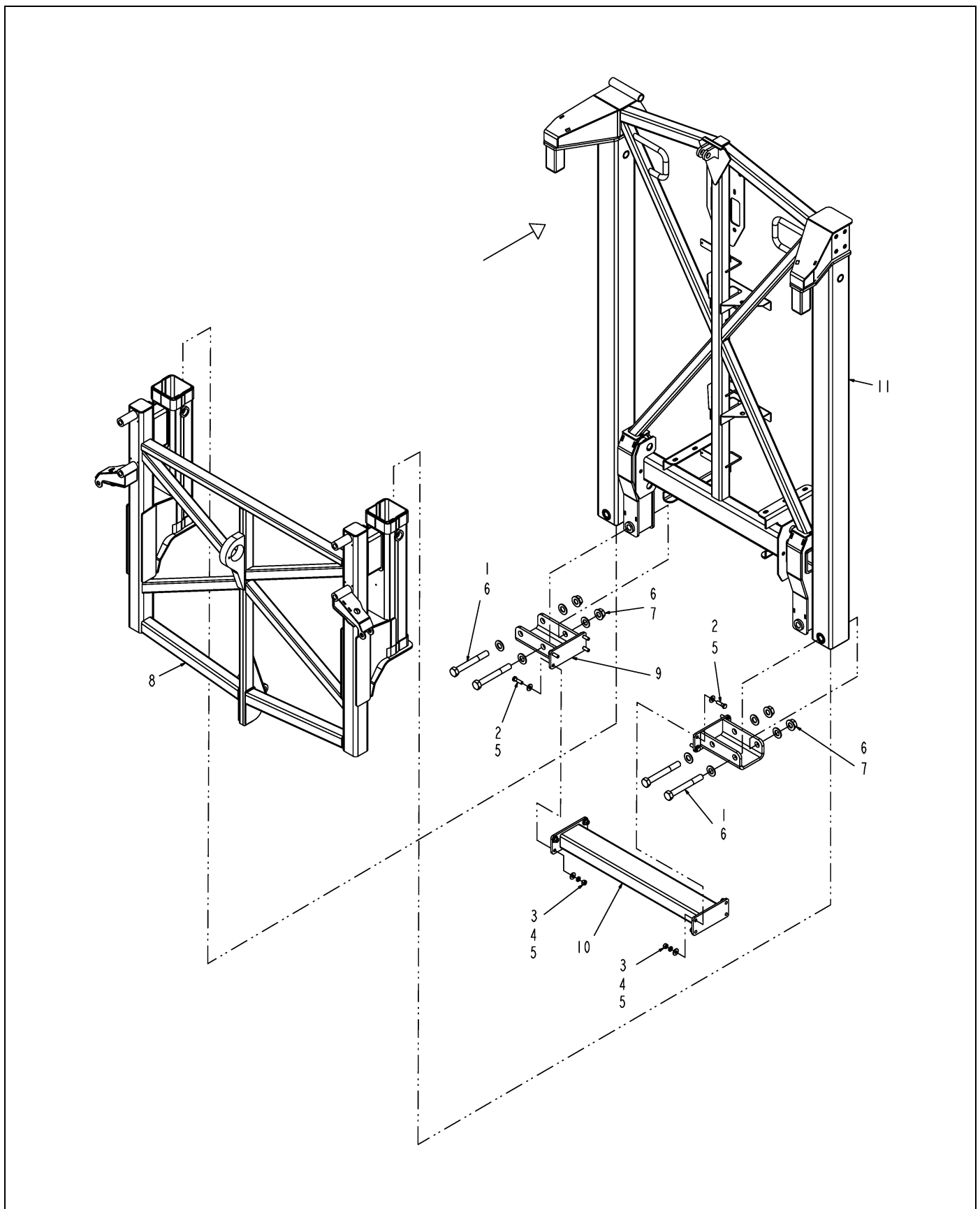


128842-03-M449-.TIF

CAM ASM-BOOM BRKWAY

ITEM	PART #	QTY	DESCRIPTION	COMMENTS
1	WR125305	2	PLATE-CAM WALL	
2	AG550949	6	BOLT 0.25-20NCX 1.50 G5 ZN HHD	
3	AG604216	6	NUT 0.25-20NC HEX ZN REG NY	
4	505516D1	1	SPACER-CAM,UHMW	

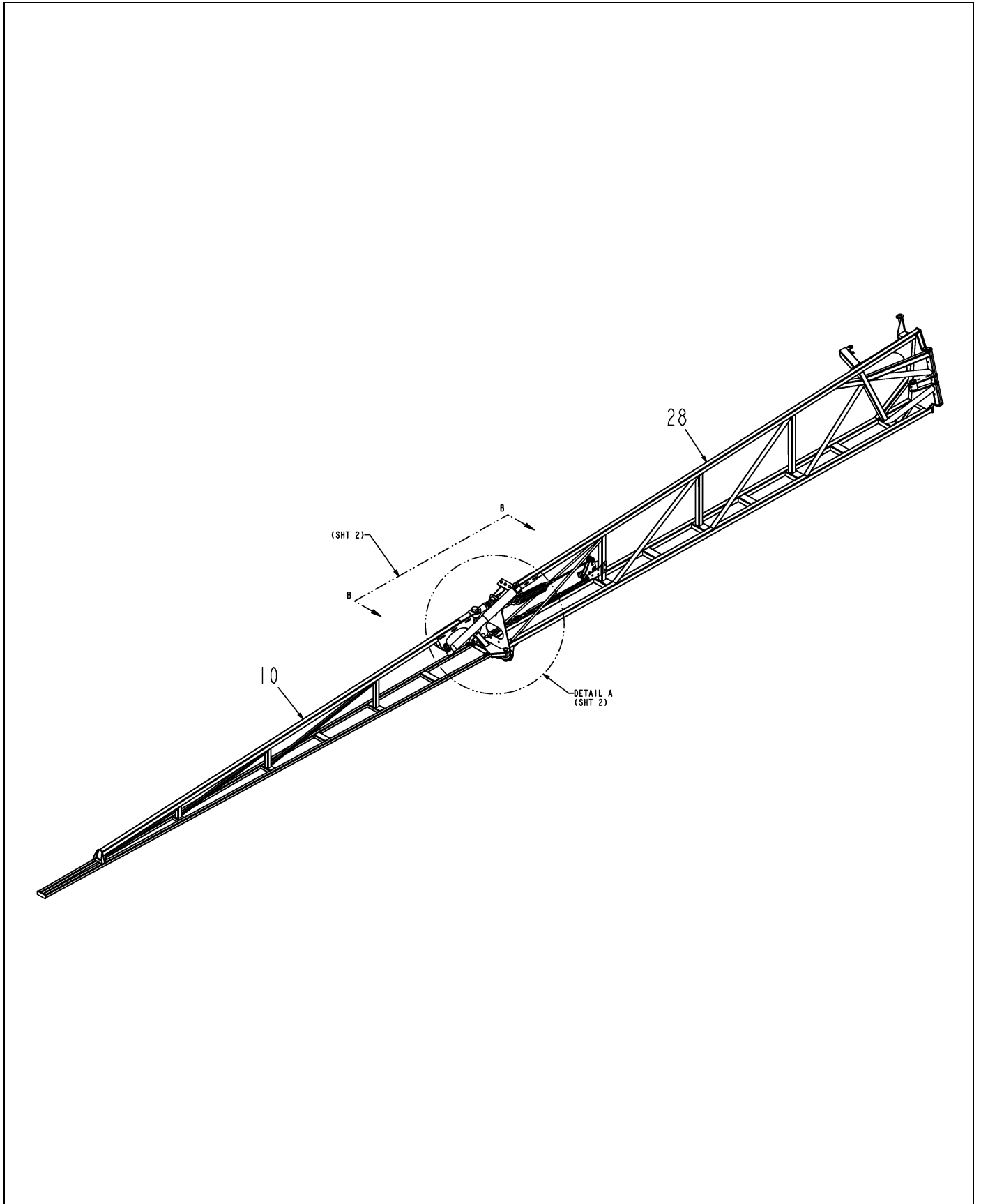
BOOM TREE ASM-SUB,5.00 SLIDE



514836D1-01-N980-.TIF

BOOM TREE ASM-SUB,5.00 SLIDE

ITEM	PART #	QTY	DESCRIPTION	COMMENTS
1	WR121865	2	BOLT 1.00- 8NCX 3.00 G8 ZN HHD	
2	AG522603	4	BOLT 1.00- 8NCX 8.00 G8 ZN HHD	
3	AG523421	8	BOLT 0.50-13NCX1.75 G8 PHS HHD	
4	AG550124	8	NUT 0.50-13NC HEX ZN REG	
5	AG550264	8	WASHER 0.50 LK ZN REG	
6	AG550353	16	WASHER 0.50 FL ZN REG TYPE-B	
7	AG604184	8	WASHER 1.00 FL ZN SAE TYP-A G8	
8	401075X1	2	NUT-1.00-8NC,GR8,PHOS	
9	401076X1	4	WASHER-1.00,HARD,PHOS	
10	514837D1	4	NUT 1.00-8 FLG ZY W/204LOC	
11	515422D1	1	CARRIAGE WLDMT-BOOM TREE	
12	515573D1	2	SUPPORT WLDMT-PIPE,BOOM TREE	
13	515575D1	2	CLAMP WLDMT-FLANGE,BOOM TREE	
14	515578D1	1	BAR WLDMT-CROSS,BOOM TREE	
15	515600D1	1	TREE WLDMT-BOOM,SLIDE,5.00	

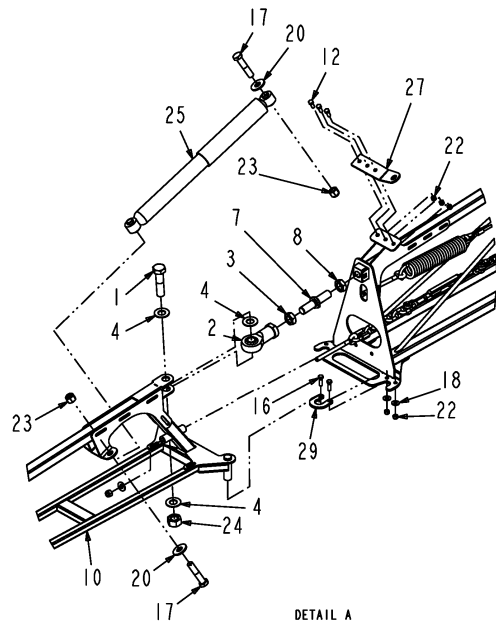


516623D1-01-N980-01.TIF

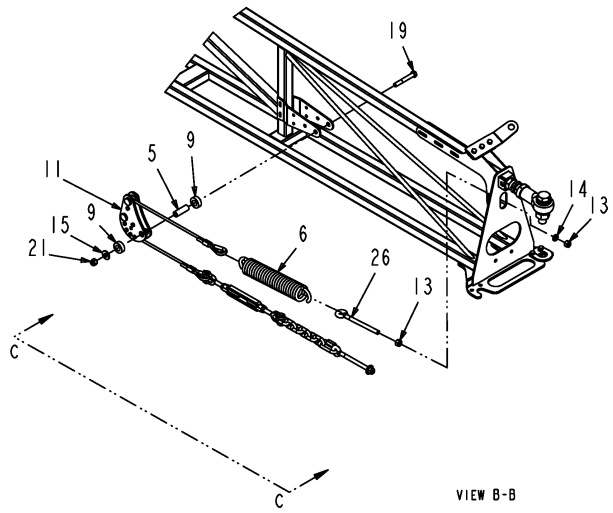
TIP ASM-FOLD BACK,BM,120FT,LH

ITEM	PART #	QTY	DESCRIPTION	COMMENTS
10	AG136788	1	BOOM WLDMT-TIP,BREAKAWAY,120	
28	516625D1	1	BOOM WLDMT-MID,120FT,LH	

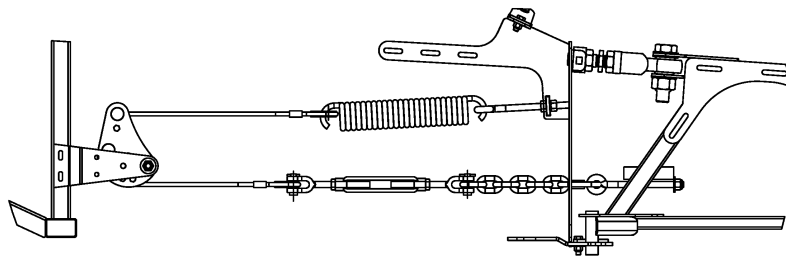
TIP ASM-FOLD BACK, BM, 120FT, LH



DETAIL A



VIEW B-B

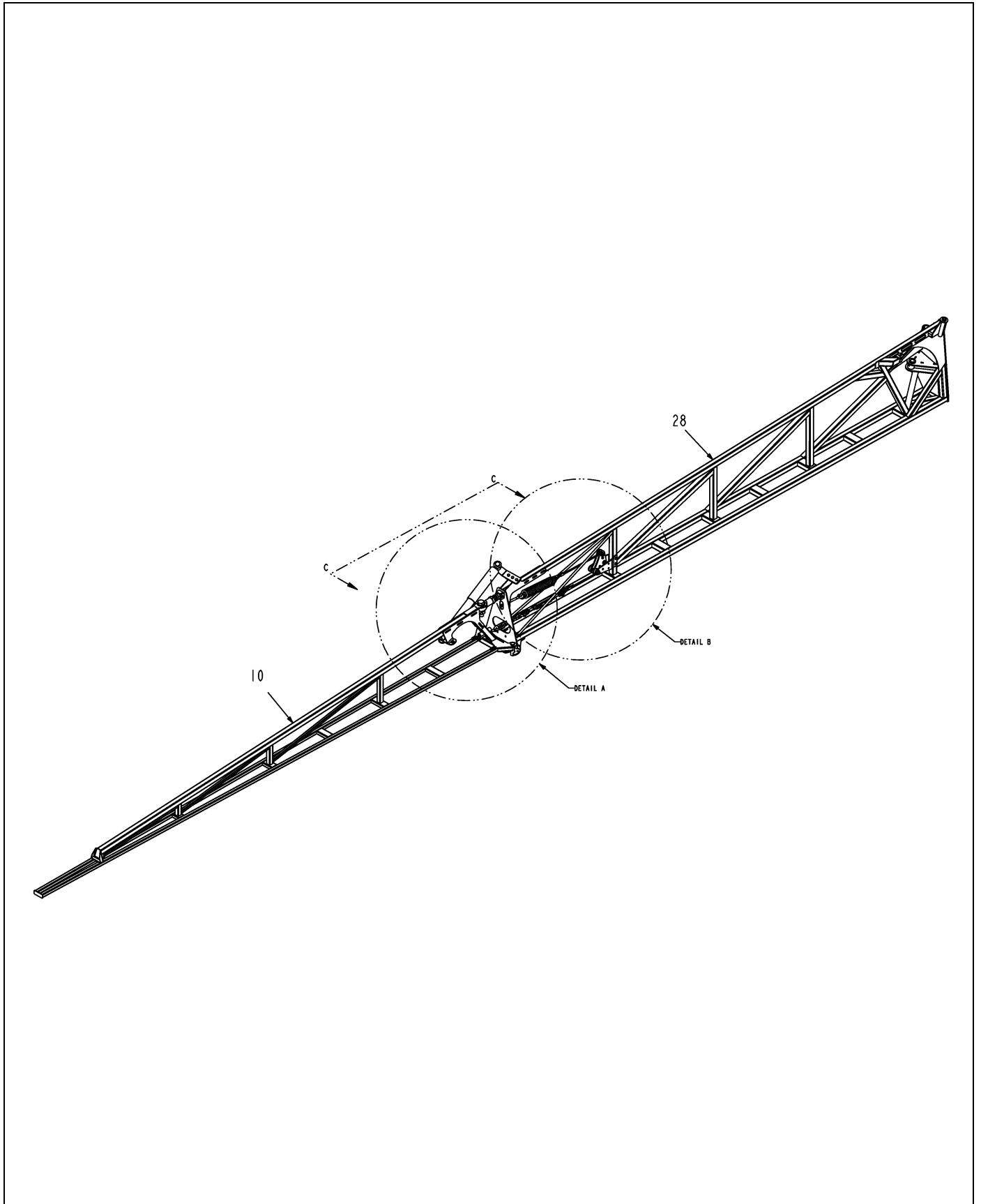


VIEW C-C

516623D1-01-N980-02.TIF

TIP ASM-FOLD BACK,BM,120FT,LH

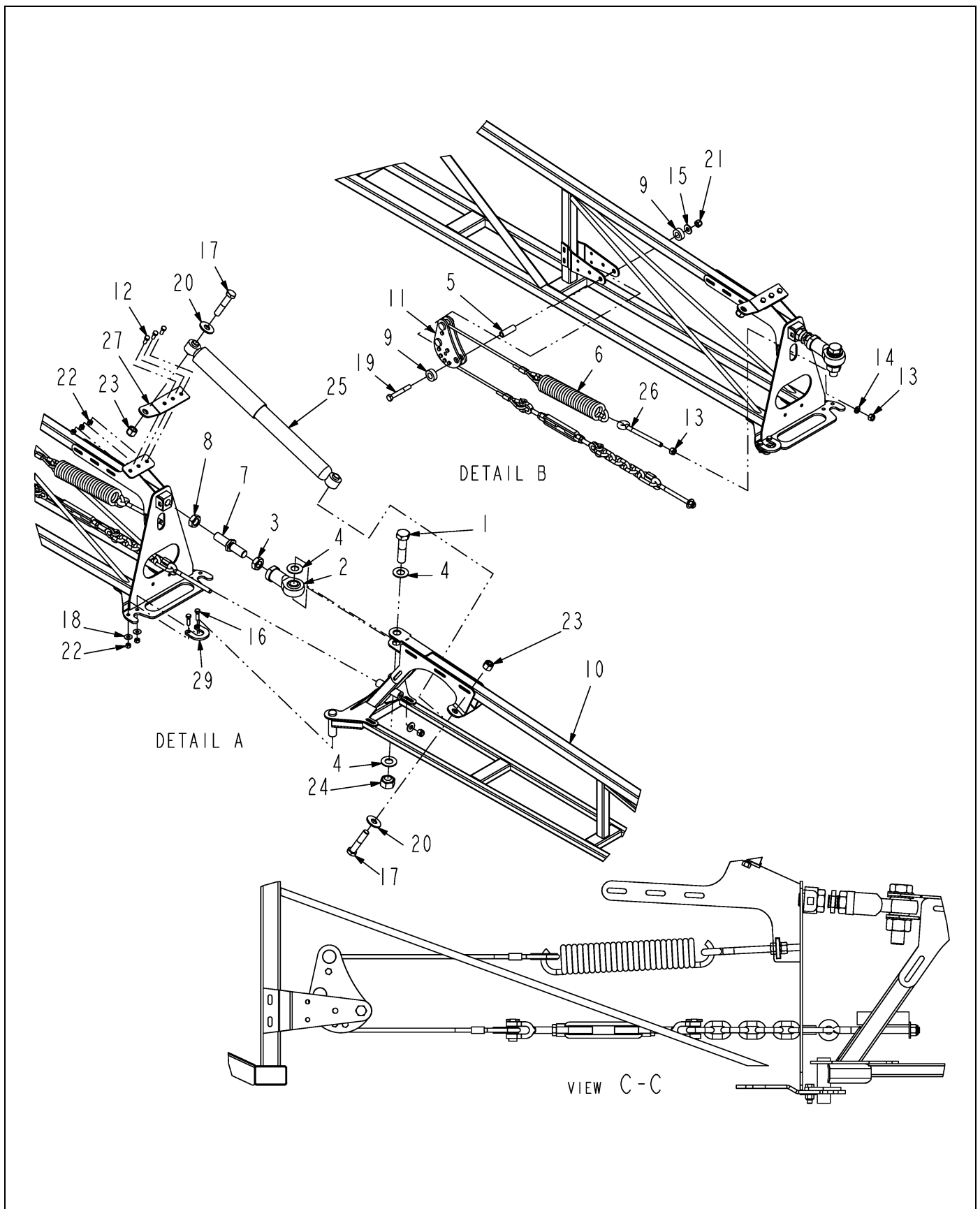
ITEM	PART #	QTY	DESCRIPTION	COMMENTS
1	AG010220	1	BOLT 1.00- 8NCX 4.00 G5 PL HHD	
2	WR34606	1	ROD-END,1-14UNF,FEMALE	
3	WR34609	1	NUT-JAM, 1-14UNF	
4	WR55197	3	WASHER-PLAIN HRD,1 ID GRADE 8	
5	WR124539	1	BUSHING-1.5 LONGX.750DX.51D	
6	WR126491	1	SPRING-EXTENSION	
7	AG129192	1	BOLT-ADJUST,1-14RH,1-14LH	
8	AG129193	1	NUT-JAM,1-14 UNF,LH	
9	WR135545	2	SPACER-UHMW,1.5OD X .78ID	
10	AG136788	1	BOOM WLDMT-TIP,BREAKAWAY,120	
11	AG136818	1	CAM ASM-BREAKAWAY,120FT	SEE PAGE 3-46
12	AG518500	3	BOLT 0.37-16NCX 1.00 G8 ZN HHD	
13	AG550124	2	NUT 0.50-13NC HEX ZN REG	
14	AG550264	1	WASHER 0.50 LK ZN REG	
15	AG550353	1	WASHER 0.50 FL ZN REG TYPE-B	
16	AG550515	2	BOLT 0.37-16NCX 1.25 G5 ZN HHD	
17	AG550787	2	BOLT 0.75-10NCX 3.50 G5 ZN HHD	
18	AG551007	2	WASHER 0.37 FL ZN REG TYPE-B	
19	AG556149	1	BOLT 0.50-13NCX 3.50 G5 ZN HHD	
20	AG561156	2	WASHER 0.75 FL ZN SAE TYPE-A	
21	AG601152	1	NUT 0.50-13NC HEX ZN REG NY	
22	AG601411	5	NUT 0.37-16NC HEX ZN REG NY	
23	AG603864	2	NUT 0.75-10NC HEX ZN REG NY	
24	AG604185	1	NUT 1.00-08NC HEX ZN HVY NY	
25	6623263	1	SHOCK ABSORBER-BOOM	
26	6626401	1	BOLT-EYE	
27	503475D1	1	PLATE-SHOCK,MNT	
29	516934D1	1	PLATE-CLAMP,PVT PIN,TIP,120	



516622D1-02-R110-01.TIF

TIP ASM-FOLD BACK,BM,120FT,RH

ITEM	PART #	QTY	DESCRIPTION	COMMENTS
10	AG136788	1	BOOM WLDMT-TIP,BREAKAWAY,120	
28	516624D1	1	BOOM WLDMT-MID,120FT,RH	

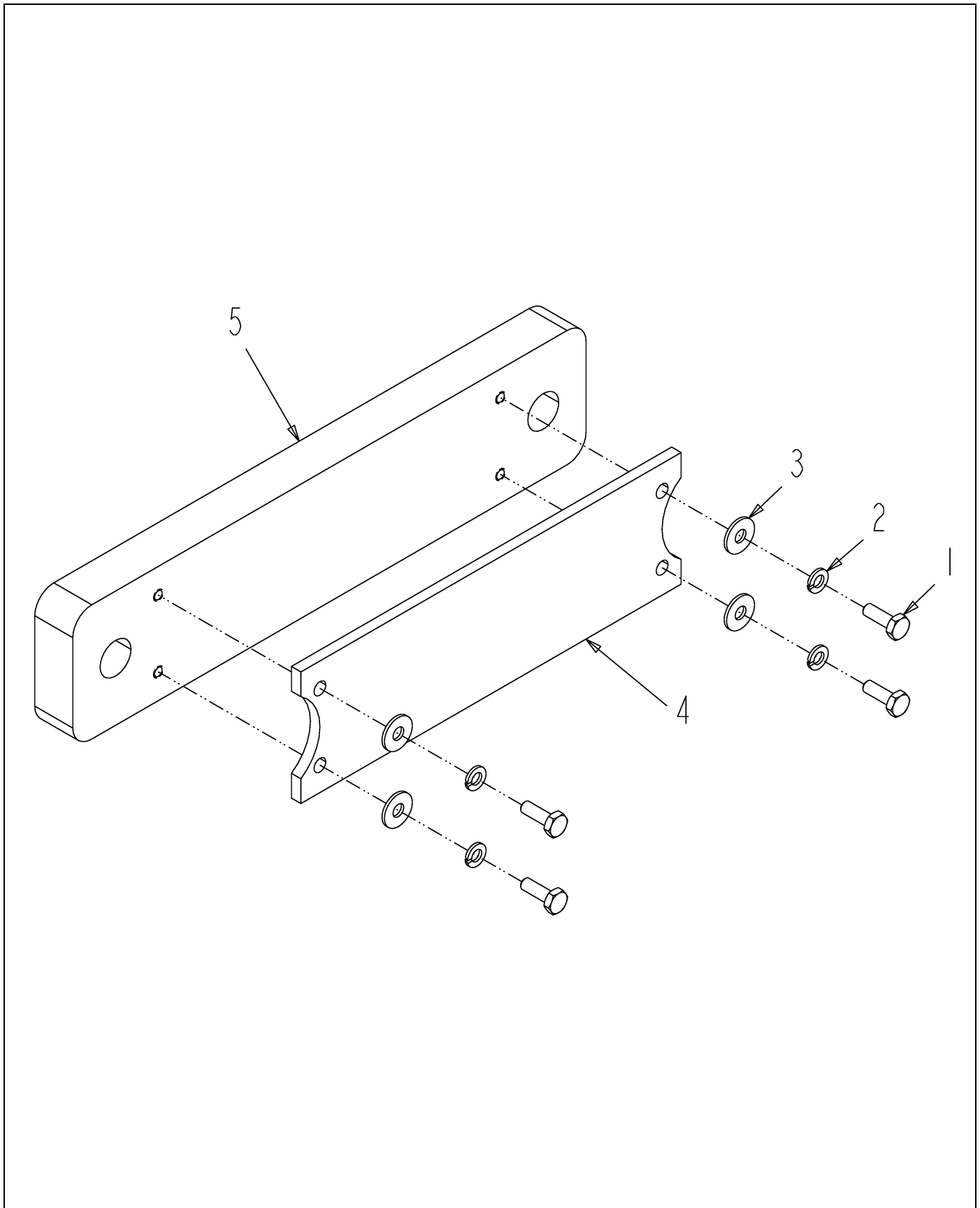


516622D1-02-R110-02.TIF

TIP ASM-FOLD BACK,BM,120FT,RH

ITEM	PART #	QTY	DESCRIPTION	COMMENTS
1	AG010220	1	BOLT 1.00- 8NCX 4.00 G5 PL HHD	
2	WR34606	1	ROD-END,1-14UNF,FEMALE	
3	WR34609	1	NUT-JAM, 1-14UNF	
4	WR55197	3	WASHER-PLAIN HRD,1 ID GRADE 8	
5	WR124539	1	BUSHING-1.5 LONGX.750DX.51D	
6	WR126491	1	SPRING-EXTENSION	
7	AG129192	1	BOLT-ADJUST,1-14RH,1-14LH	
8	AG129193	1	NUT-JAM,1-14 UNF,LH	
9	WR135545	2	SPACER-UHMW,1.5OD X .78ID	
10	AG136788	1	BOOM WLDMT-TIP,BREAKAWAY,120	
11	AG136818	1	CAM ASM-BREAKAWAY,120FT	SEE PAGE 3-46
12	AG518500	3	BOLT 0.37-16NCX 1.00 G8 ZN HHD	
13	AG550124	2	NUT 0.50-13NC HEX ZN REG	
14	AG550264	1	WASHER 0.50 LK ZN REG	
15	AG550353	1	WASHER 0.50 FL ZN REG TYPE-B	
16	AG550515	2	BOLT 0.37-16NCX 1.25 G5 ZN HHD	
17	AG550787	2	BOLT 0.75-10NCX 3.50 G5 ZN HHD	
18	AG551007	2	WASHER 0.37 FL ZN REG TYPE-B	
19	AG556149	1	BOLT 0.50-13NCX 3.50 G5 ZN HHD	
20	AG561156	2	WASHER 0.75 FL ZN SAE TYPE-A	
21	AG601152	1	NUT 0.50-13NC HEX ZN REG NY	
22	AG601411	5	NUT 0.37-16NC HEX ZN REG NY	
23	AG603864	2	NUT 0.75-10NC HEX ZN REG NY	
24	AG604185	1	NUT 1.00-08NC HEX ZN HVY NY	
25	6623263	1	SHOCK ABSORBER-BOOM	
26	6626401	1	BOLT-EYE	
27	503475D1	1	PLATE-SHOCK,MNT	
29	516934D1	1	PLATE-CLAMP,PVT PIN,TIP,120	

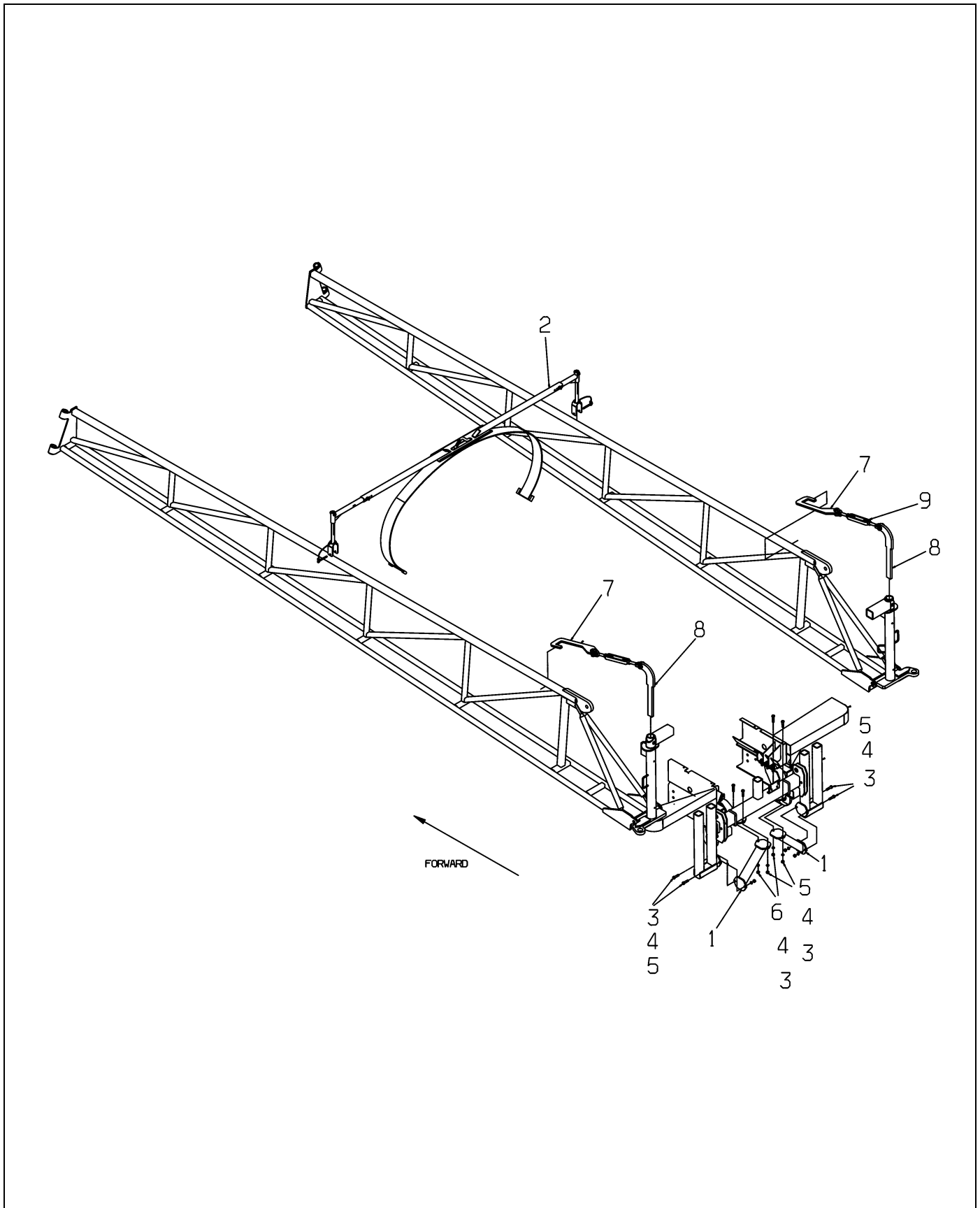
PLATE ASM-HD,WEAR PAD



514846D1-01-N980-.TIF

PLATE ASM-HD,WEAR PAD

ITEM	PART #	QTY	DESCRIPTION	COMMENTS
1	AG550485	4	BOLT 0.25-20NCX 0.75 G5 ZN HHD	
2	AG550493	4	WASHER 0.25 LK ZN REG	
3	AG550507	4	WASHER 0.25 FL ZN REG TYPE-B	
4	514715D1	1	PAD-WEAR,BOOM TREE	
5	515615D1	1	PLATE-MTG,HD,WEAR PAD	

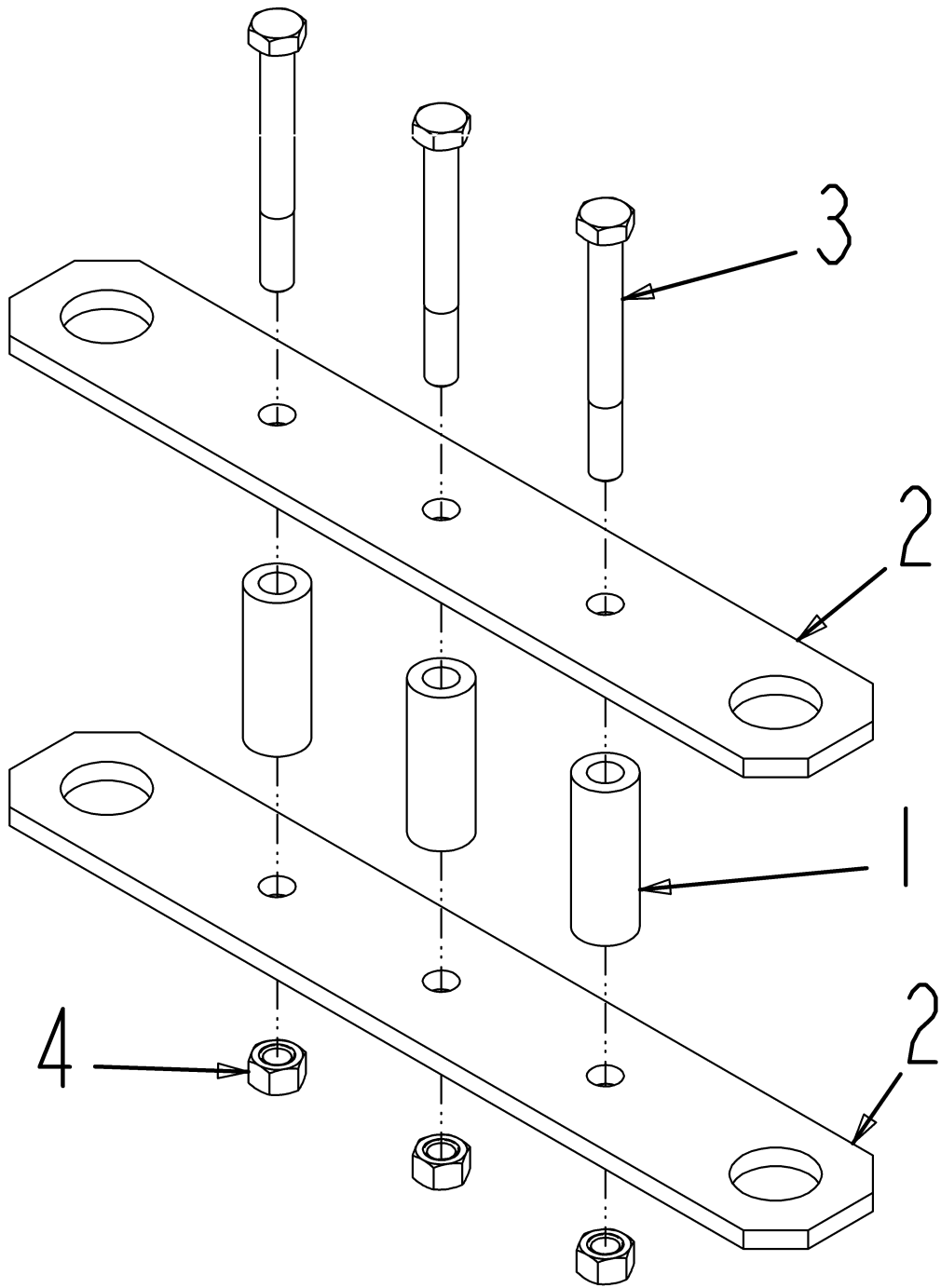


504796-A-1.TIF

HOOK INSTL-BOOM,LIQ SYS,1254C

ITEM	PART #	QTY	DESCRIPTION	COMMENTS
1	AG328788	-	GUSSET WLDMT-BOOM TREE	
2	AG504795	1	RETAINER ASM-BOOM,LIQ,COMBO	SEE PAGE 4-90
3	AG550124	8	NUT 0.50-13NC HEX ZN REG	
4	AG550264	8	WASHER 0.50 LK ZN REG	
5	AG550817	6	BOLT 0.50-13NCX 1.50 G5 ZN HHD	
6	AG553956	2	BOLT 0.50-13NCX 1.75 G5 ZN HHD	
7	AG263217	2	HOOK-BOOM,SUPPORT	
8	AG328772	2	BRKT-BOOM,HOOK	
9	AG514326	2	TURNBUCKLE 3/4X9 GAL JAW & JAW	

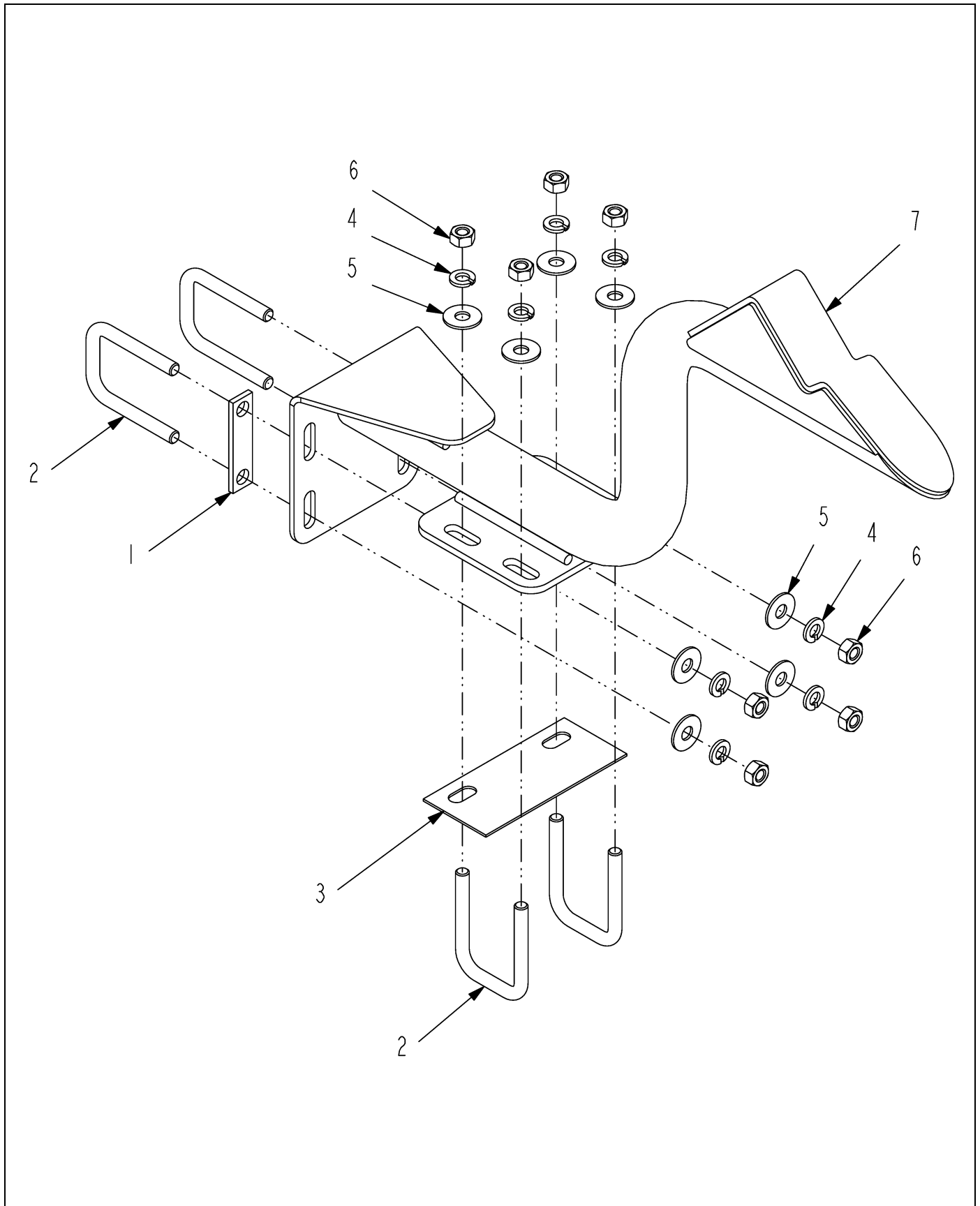
LINKAGE ASM-CYL,HYD,INNER/MID



506334D1-M788.TIF

LINKAGE ASM-CYL,HYD,INNER/MID

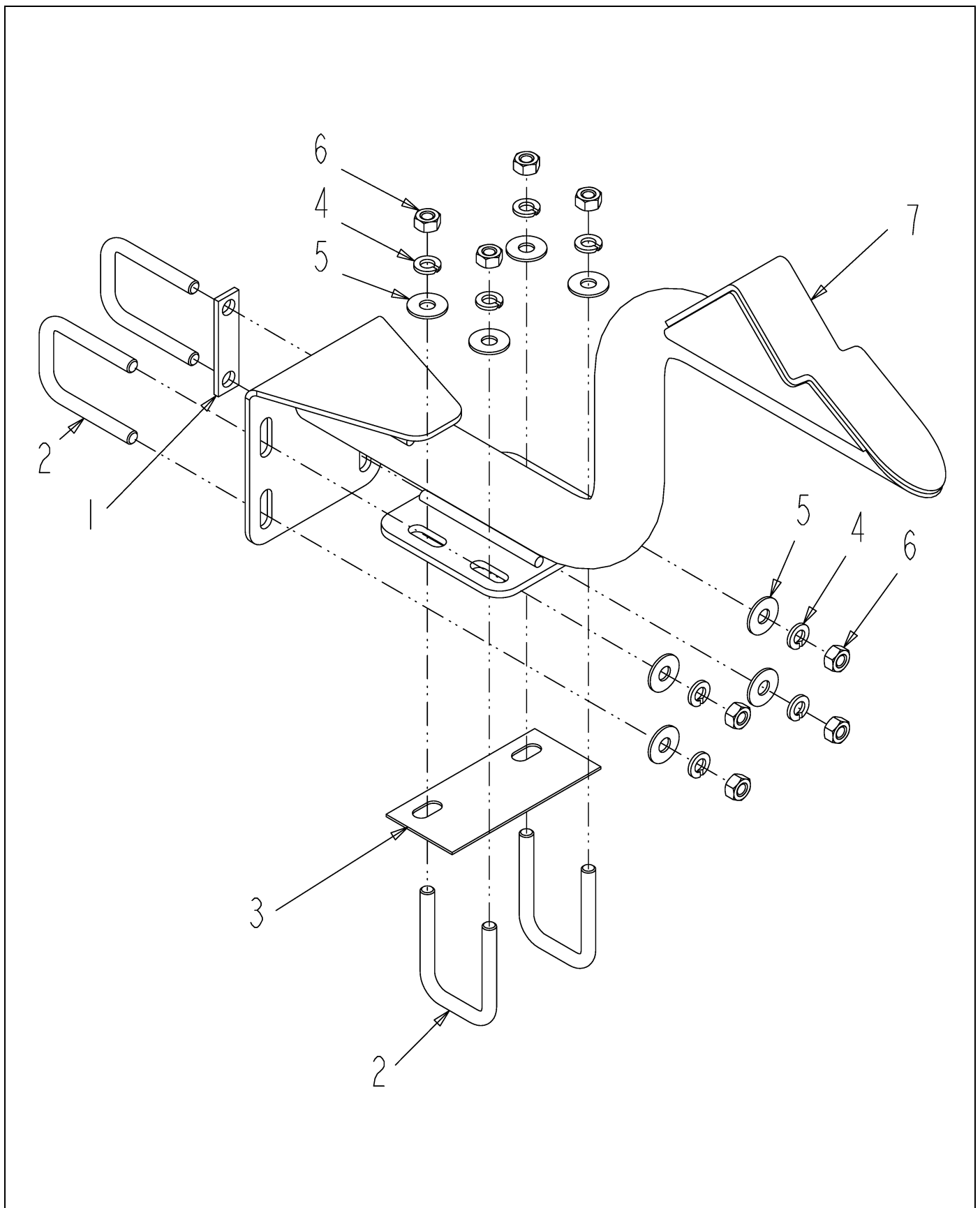
ITEM	PART #	QTY	DESCRIPTION	COMMENTS
1	AG230312	3	TUBE SPACER LINK	
2	AG262985	2	LINK-LONG	
3	AG551058	3	BOLT 0.37-16NCX 3.25 G5 ZN HHD	
4	AG601411	3	NUT 0.37-16NC HEX ZN REG NY	



513272D1-01-N648-.TIF

REST INSTL-FLD BACK,90/100,RH

ITEM	PART #	QTY	DESCRIPTION	COMMENTS
1	AG108935	AR	PLATE BACKING	
2	AG231204	4	BOLT-U .31-18X1.88X2.63	
3	AG232797	AR	SHIM PLATE	
4	AG562051	8	WASHER 0.31 LK SS REG	
5	AG562074	8	WASHER 0.31 FL SS REG TYPE-B	
6	AG562090	8	NUT 0.31-18NC HEX SS REG	
7	512740D1	1	REST WLDMT-BM,FLD BACK,90/100	

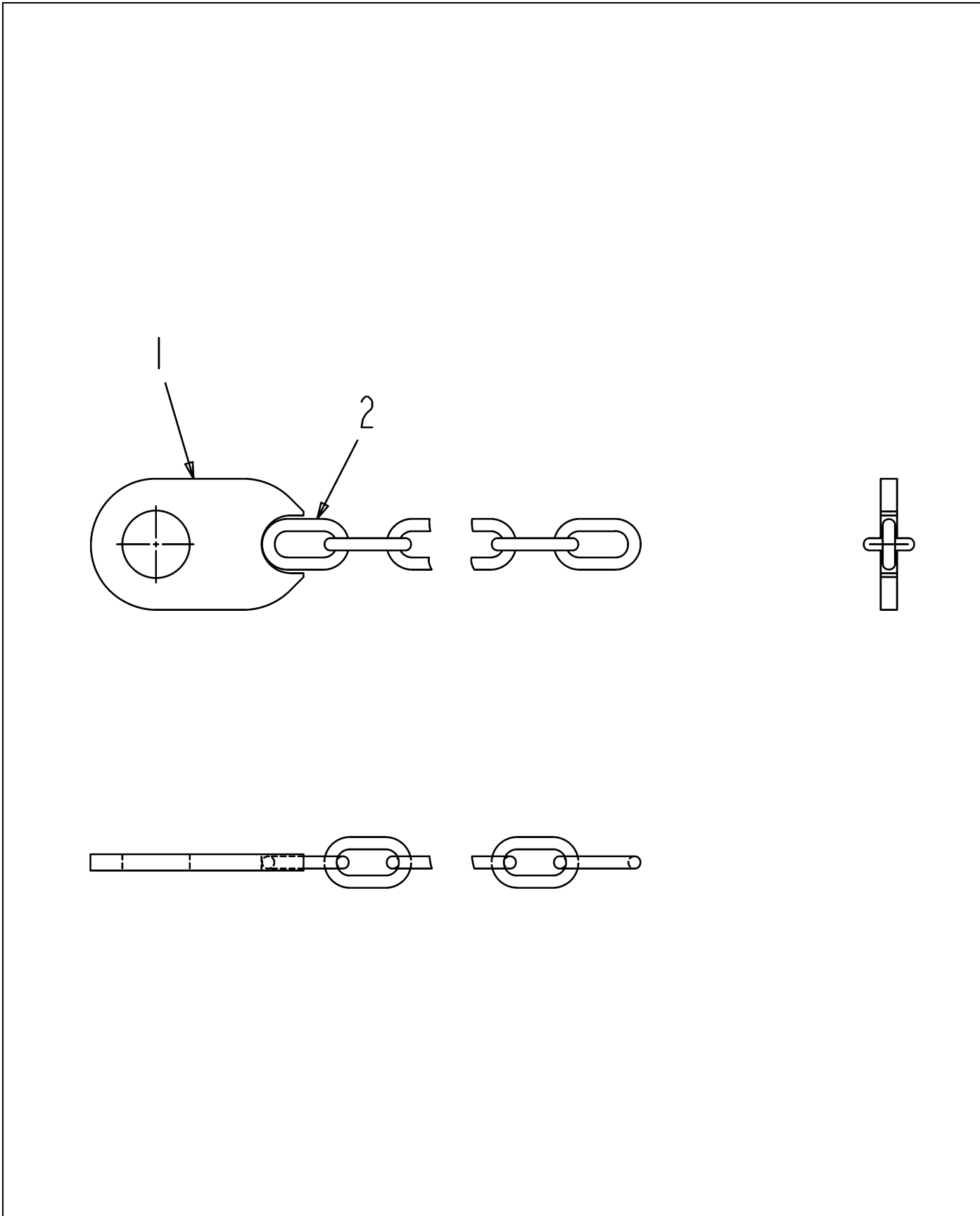


513273D1-01-N648-.TIF

REST INSTL-FLD BACK,90/100,LH

ITEM	PART #	QTY	DESCRIPTION	COMMENTS
1	AG108935	AR	PLATE BACKING	
2	AG231204	4	BOLT-U .31-18X1.88X2.63	
3	AG232797	AR	SHIM PLATE	
4	AG562051	8	WASHER 0.31 LK SS REG	
5	AG562074	8	WASHER 0.31 FL SS REG TYPE-B	
6	AG562090	8	NUT 0.31-18NC HEX SS REG	
7	512740D1	1	REST WLDMT-BM,FLD BACK,90/100	

CHAIN WLDMT-PVT PLATE,22 LINK

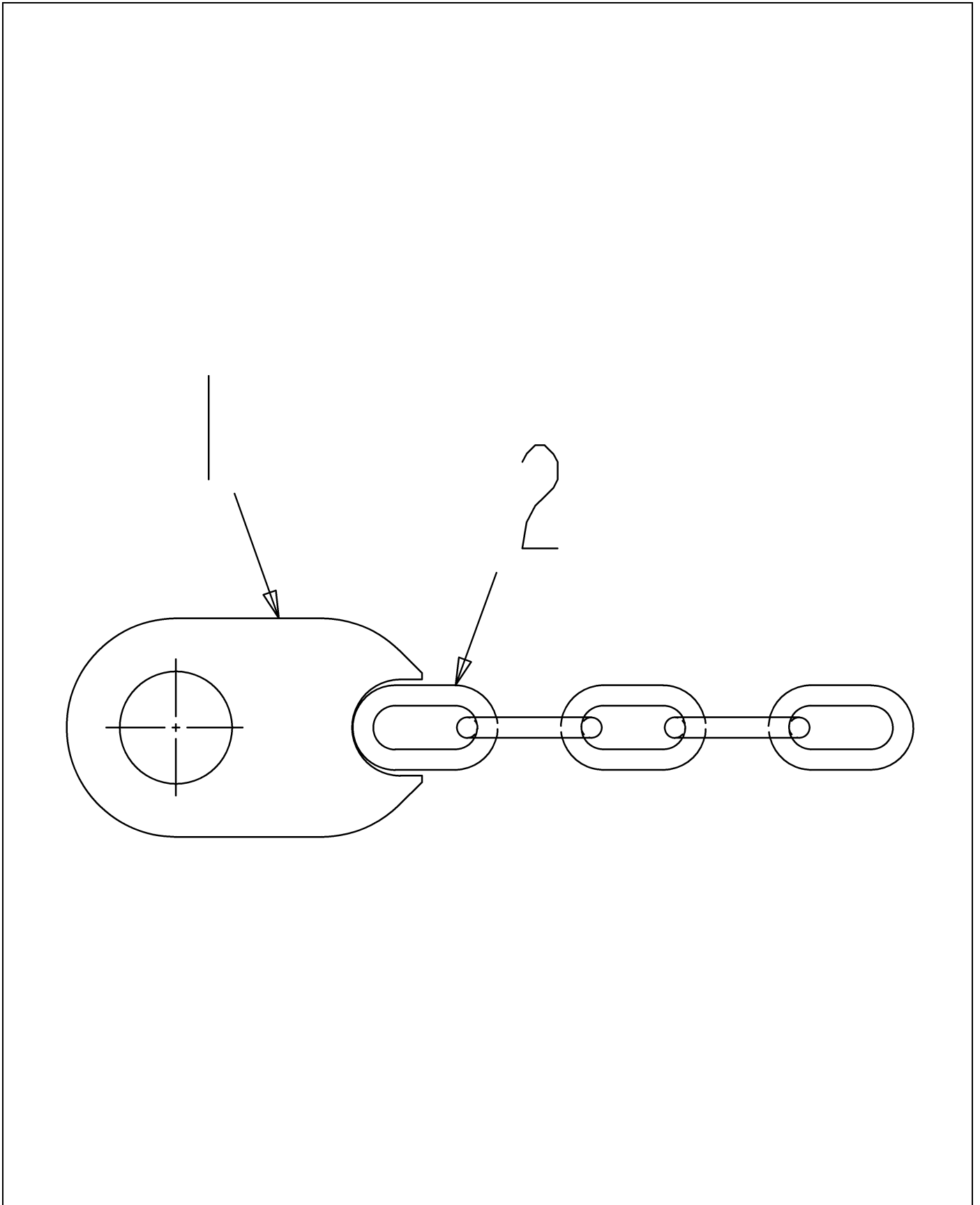


136972-01-M788-.TIF

CHAIN WLDMT-PVT PLATE,22 LINK

ITEM	PART #	QTY	DESCRIPTION	COMMENTS
1	AG136973	1	PLATE-PVT,MTG,CHAIN,.25	
2	506477D1	1	CHAIN-22 LINK,.19,SS	

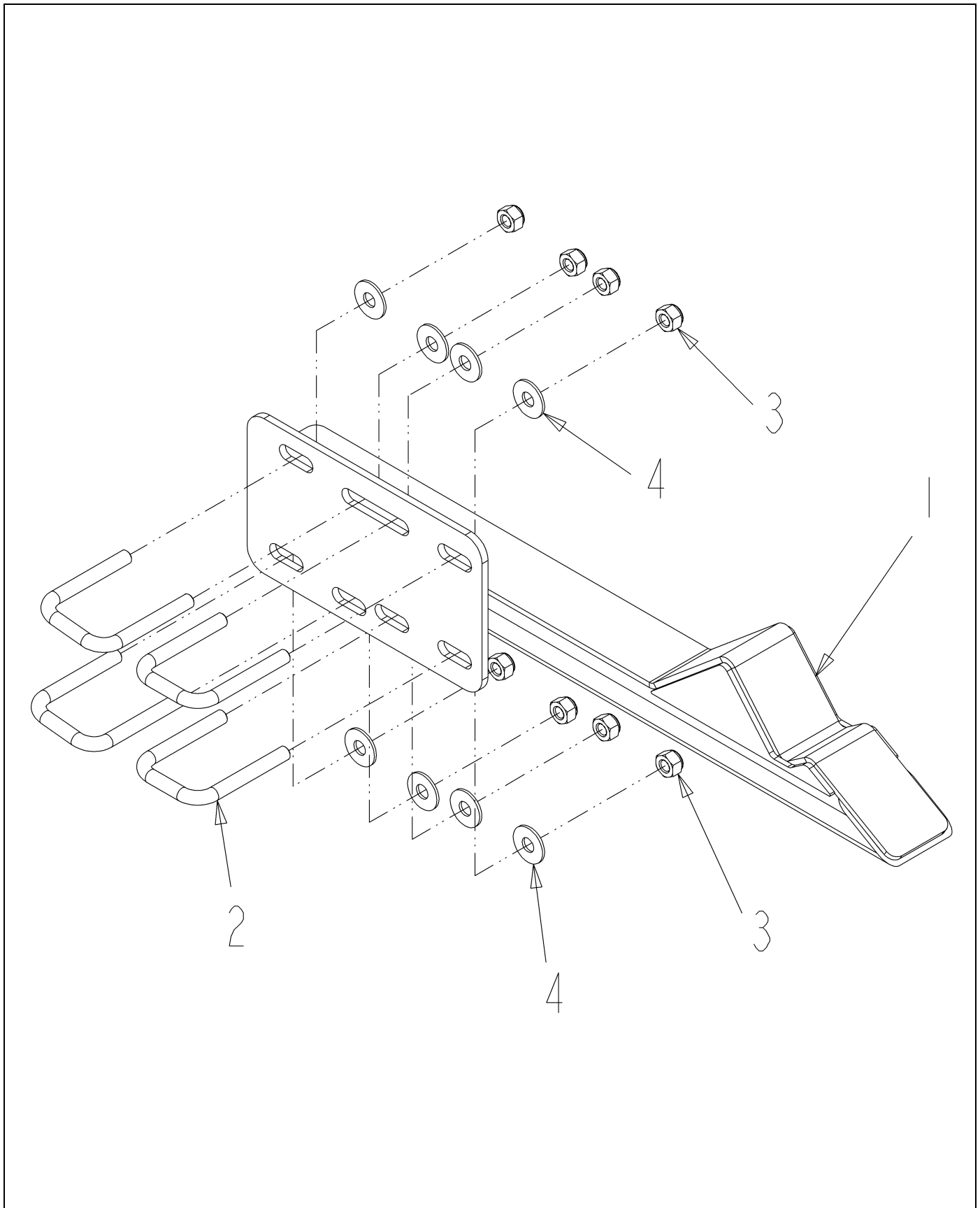
CHAIN WLDMT-PVT PLATE,5 LINK



136978-01-M788.TIF

CHAIN WLDMT-PVT PLATE,5 LINK

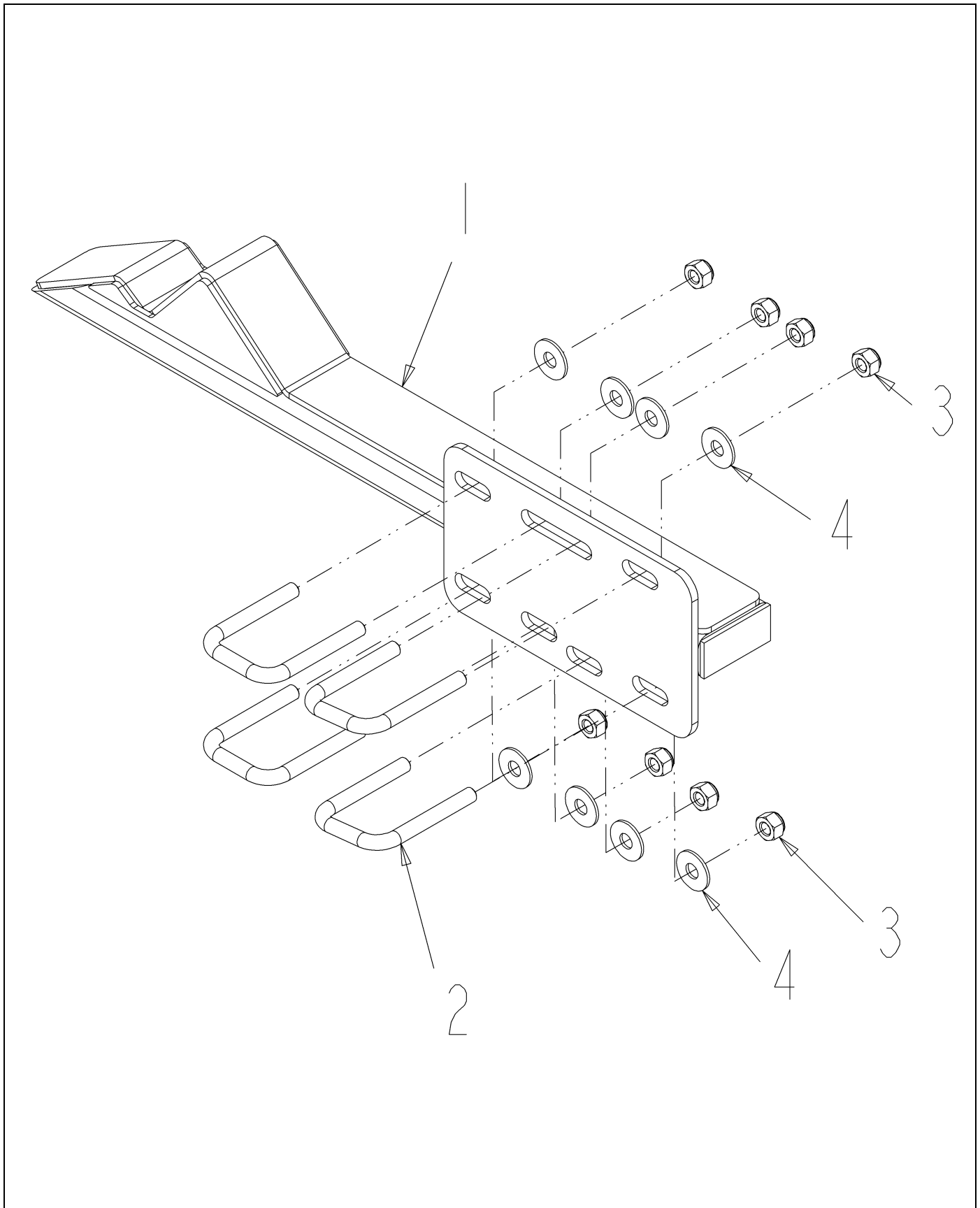
ITEM	PART #	QTY	DESCRIPTION	COMMENTS
1	AG136973	1	PLATE-PVT,MTG,CHAIN,.25	
2	WR232770	1	CHAIN .19-5 LINKS	



136981-03-R286-.TIF

REST INSTL-BM,FLD BACK,120,LH

ITEM	PART #	QTY	DESCRIPTION	COMMENTS
1	AG136983	1	REST WLDMT-BM,FLD BACK,120,LH	
2	AG231204	4	BOLT-U .31-18X1.88X2.63	
3	AG516403	8	NUT 0.31-18NC HEX SS REG NY	
4	AG562074	8	WASHER 0.31 FL SS REG TYPE-B	

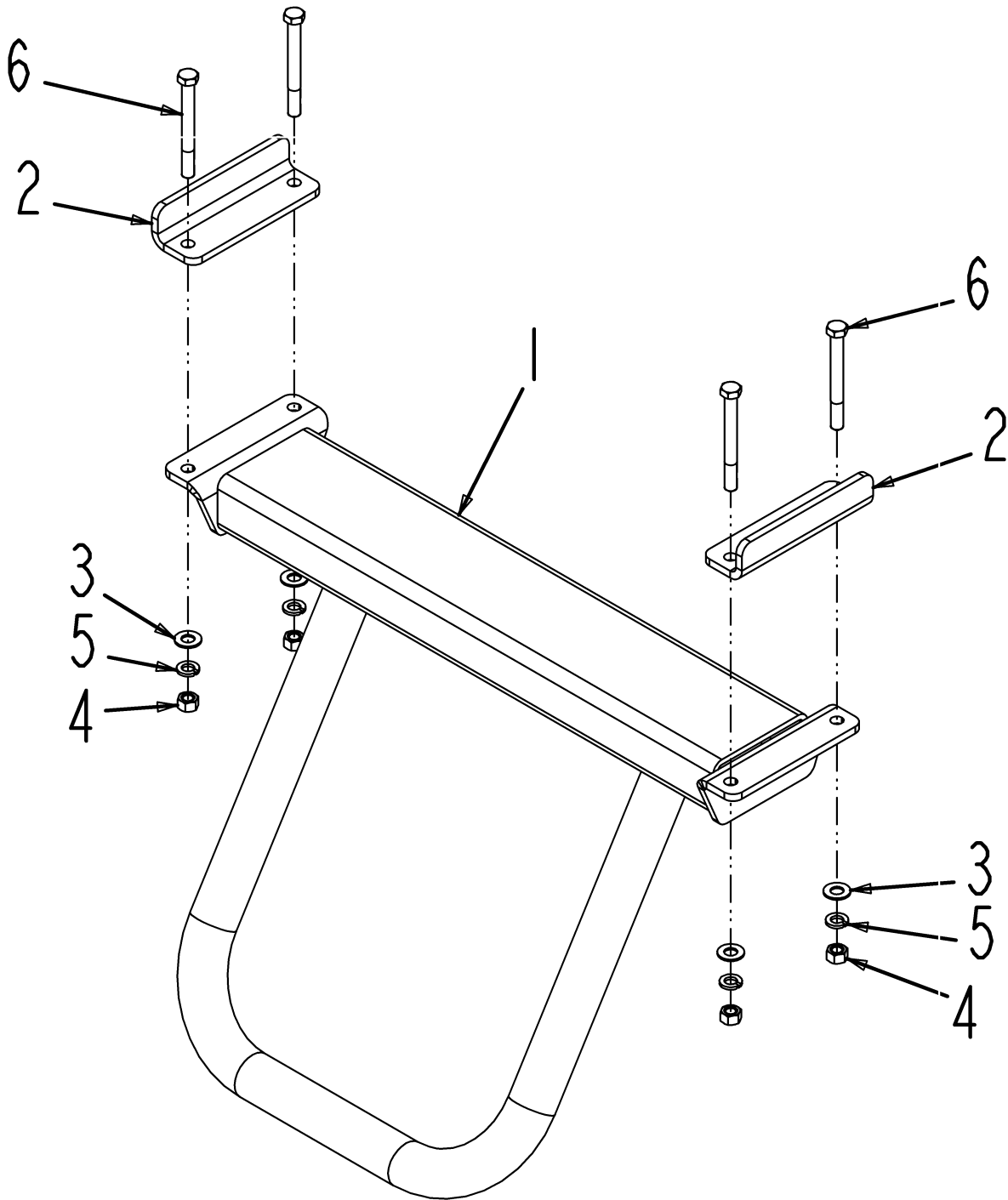


136980-03-R286-.TIF

REST INSTL-BM,FLD BACK,120,RH

ITEM	PART #	QTY	DESCRIPTION	COMMENTS
1	AG136982	1	REST WLDMT-BM,FLD BACK,120,RH	
2	AG231204	4	BOLT-U .31-18X1.88X2.63	
3	AG516403	8	NUT 0.31-18NC HEX SS REG NY	
4	AG562074	8	WASHER 0.31 FL SS REG TYPE-B	

RETAINER INSTL-BM,4.00 TUBE

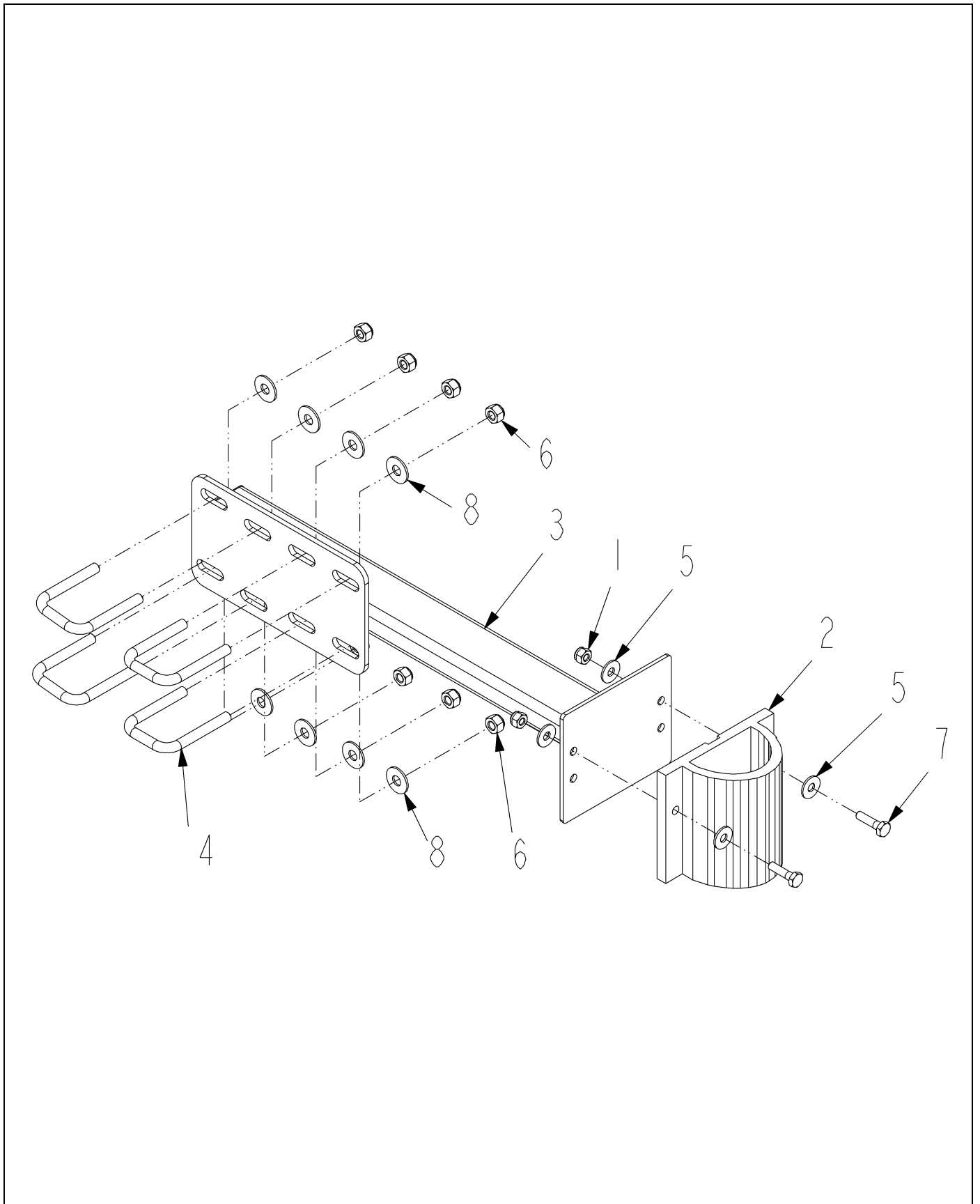


136987-01-M788.TIF

RETAINER INSTL-BM,4.00 TUBE

ITEM	PART #	QTY	DESCRIPTION	COMMENTS
1	AG136988	1	RETAINER WLDMT-BM,4.00 TUBE	
2	AG136992	2	PLATE-MTG,BM RTNR,4.00 TUBE	
3	AG514559	4	WASHER 0.37 FL ZN SAE TYP-A G8	
4	AG523259	4	NUT-.37-16,G8,ZN,H	
5	AG550191	4	WASHER 0.37 LK ZN REG	
6	AG560456	4	BOLT 0.37-16NCX 3.50 G8 ZN HHD	

BUMPER INSTL-FOLD BACK,120,LH

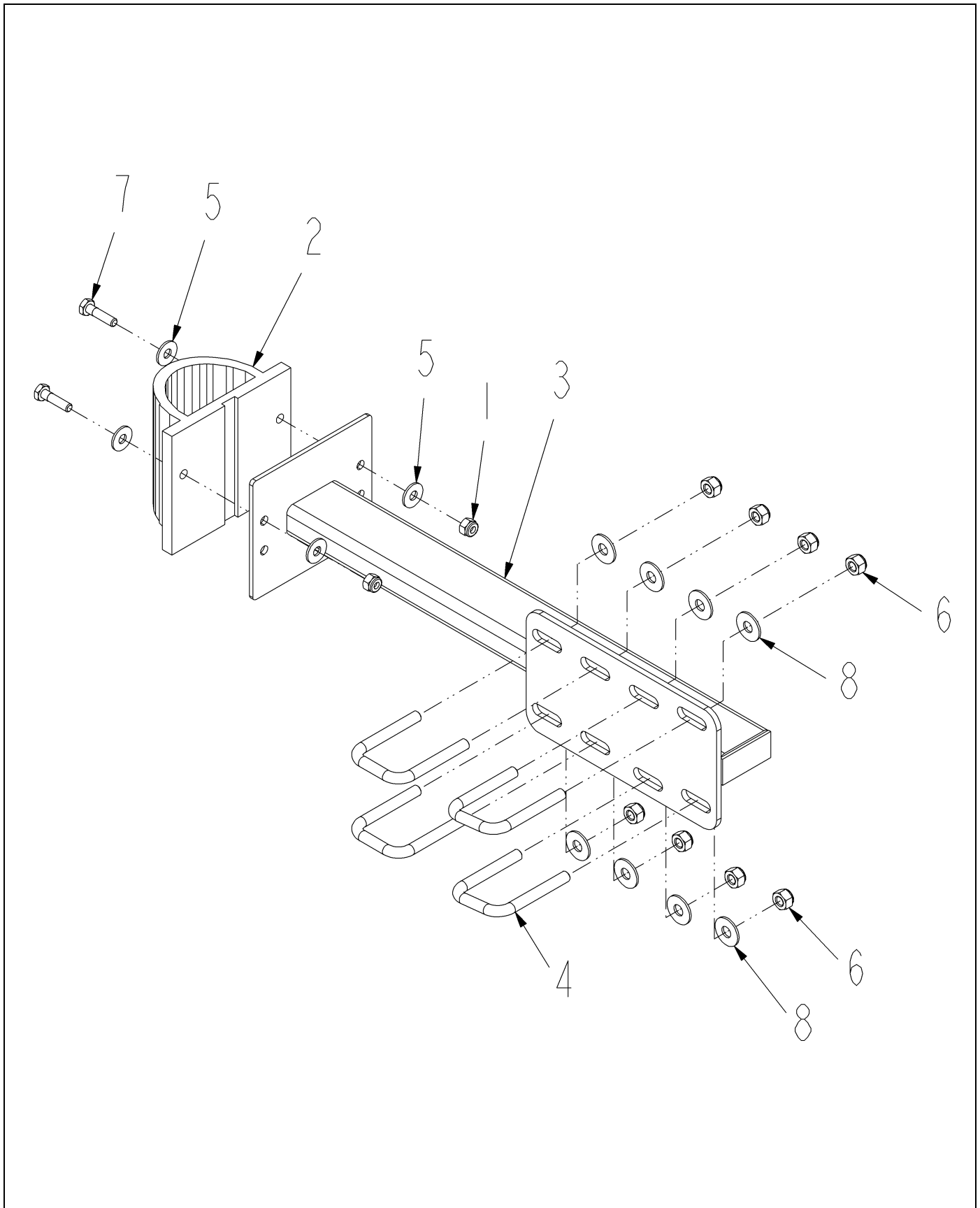


136993-03-R286-.TIF

BUMPER INSTL-FOLD BACK,120,LH

ITEM	PART #	QTY	DESCRIPTION	COMMENTS
1	AG027275	2	NUT 0.25-20NC HEX SS REG NY	
2	AG109953	1	BUMPER-BOOM RACK	
3	AG136995	1	BUMPER WLDMT-FOLD BACK,120,LH	
4	AG231204	4	BOLT-U .31-18X1.88X2.63	
5	AG515121	4	WASHER 0.25 FL SS REG TYPE-B	
6	AG516403	8	NUT 0.31-18NC HEX SS REG NY	
7	AG562064	2	BOLT 0.25-20NCX 1.00 SS HHD	
8	AG562074	8	WASHER 0.31 FL SS REG TYPE-B	

BUMPER INSTL-FOLD BACK,120,RH

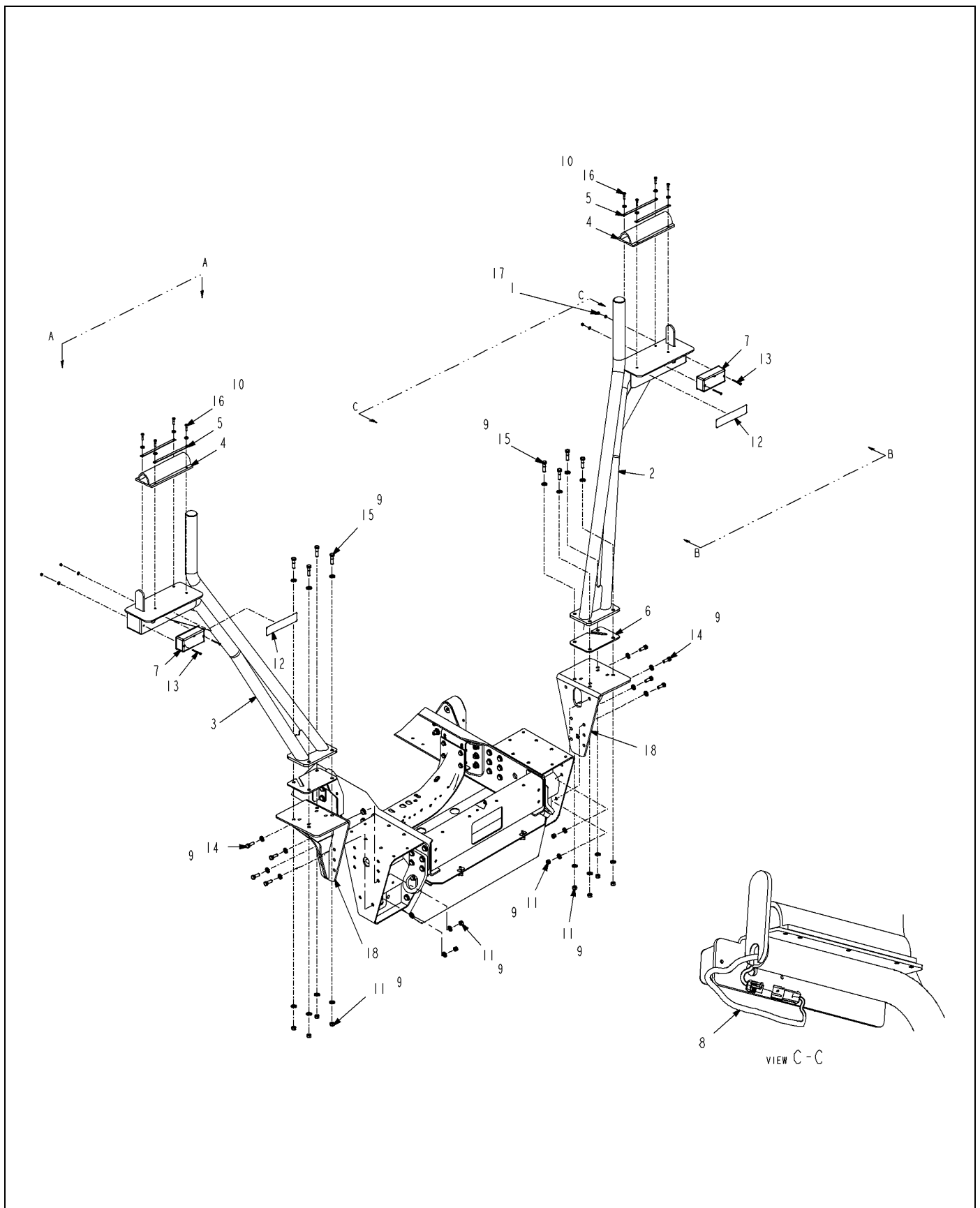


136994-03-R286-.TIF

BUMPER INSTL-FOLD BACK,120,RH

ITEM	PART #	QTY	DESCRIPTION	COMMENTS
1	AG027275	2	NUT 0.25-20NC HEX SS REG NY	
2	AG109953	1	BUMPER-BOOM RACK	
3	AG136996	1	BUMPER WLDMT-FOLD BACK,120,RH	
4	AG231204	4	BOLT-U .31-18X1.88X2.63	
5	AG515121	4	WASHER 0.25 FL SS REG TYPE-B	
6	AG516403	8	NUT 0.31-18NC HEX SS REG NY	
7	AG562064	2	BOLT 0.25-20NCX 1.00 SS HHD	
8	AG562074	8	WASHER 0.31 FL SS REG TYPE-B	

BOOMREST INSTL-120" BM,8/10X4

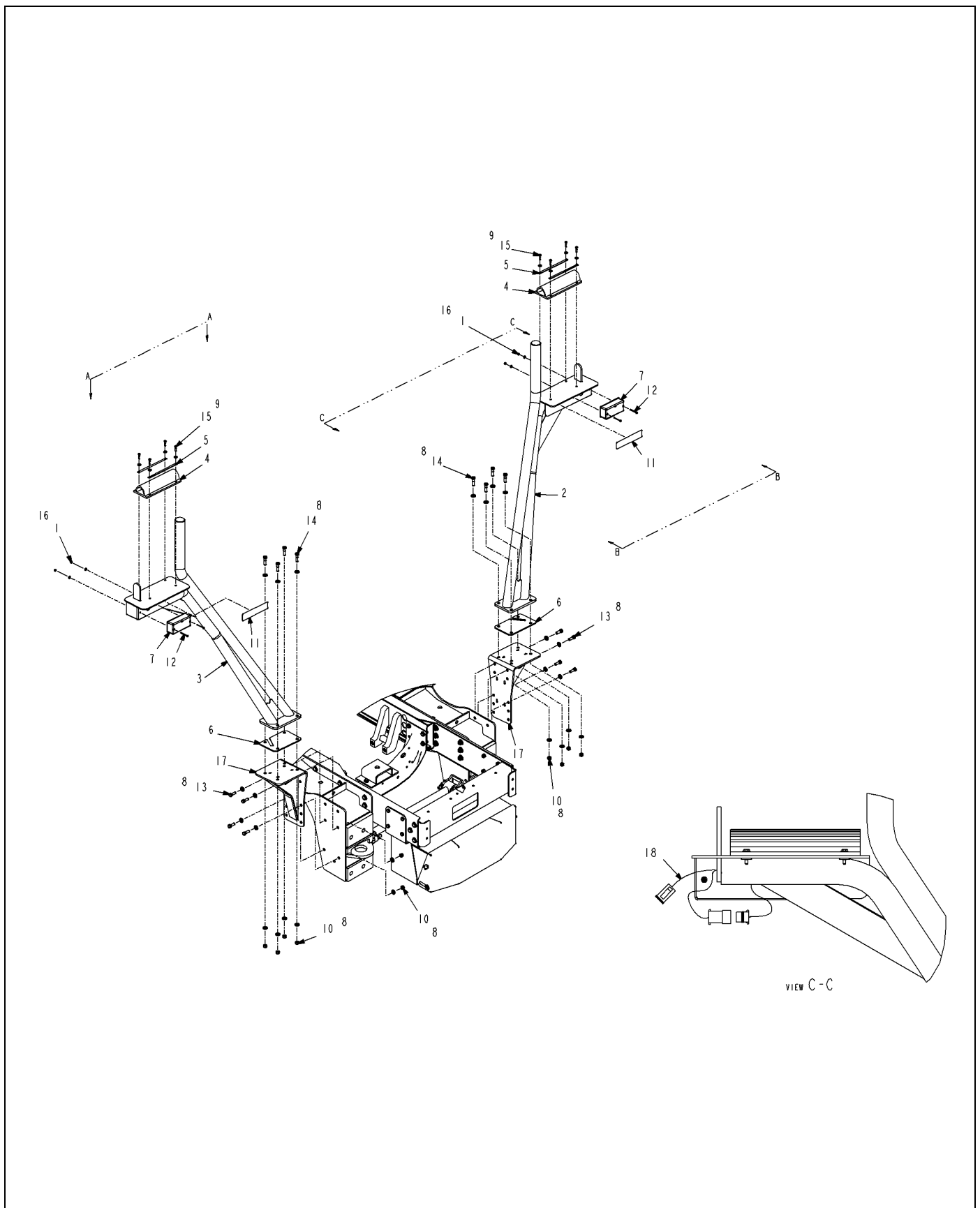


520940D1-01-R483-.TIF

BOOMREST INSTL-120" BM,8/10X4

ITEM	PART #	QTY	DESCRIPTION	COMMENTS
1	AG027274	4	NUT #10-24NC HEX SS REG NY	
2	AG123189	1	BOOMREST WLDMT-LH	
3	AG123190	1	BOOMREST WLDMT-RH	
4	WR136831	2	BUMPER-12.25,BOOM REST	
5	WR136832	4	STRAP-RETAINER,BUMPER	
6	AG262556	2	PLATE-SPACER,BOOMREST	
7	AG327247	2	LAMP-WARNING,AMBER	
8	AG424327	2	HARNESS-BOOM REST	
9	AG514554	32	WASHER 0.50 FL ZN SAE TYP-A G8	
10	AG515121	8	WASHER 0.25 FL SS REG TYPE-B	
11	AG520614	16	NUT-.50-13,G8,ZN,HH,C-LK	
12	AG523590	2	REFLECTOR-YELLOW,2.0X9.0	
13	AG523814	4	SCR-10-24X2.25,PPH,SS	
14	AG559237	8	BOLT 0.50-13NCX 1.50 G8 ZN HHD	
15	AG561665	8	BOLT 0.50-13NCX 2.00 G8 ZN HHD	
16	AG561952	8	BOLT 0.25-20NCX 1.25 SS HHD	
17	AG562082	4	WASHER #10 FL SS REG TYPE-B	
18	506685D1	2	BRKT WLDMT-MTG,BOOMREST,8/10X4	

BOOMREST INSTL-120" BM,SS/12X4



520941D1-01-R483-.TIF

BOOMREST INSTL-120" BM,SS/12X4

ITEM	PART #	QTY	DESCRIPTION	COMMENTS
1	AG027274	4	NUT #10-24NC HEX SS REG NY	
2	AG123189	1	BOOMREST WLDMT-LH	
3	AG123190	1	BOOMREST WLDMT-RH	
4	WR136831	2	BUMPER-12.25,BOOM REST	
5	WR136832	4	STRAP-RETAINER,BUMPER	
6	AG262556	2	PLATE-SPACER,BOOMREST	
7	AG327247	2	LAMP-WARNING,AMBER	
8	AG514554	32	WASHER 0.50 FL ZN SAE TYP-A G8	
9	AG515121	8	WASHER 0.25 FL SS REG TYPE-B	
10	AG520614	16	NUT-.50-13,G8,ZN,HH,C-LK	
11	AG523590	2	REFLECTOR-YELLOW,2.0X9.0	
12	AG523814	4	SCR-10-24X2.25,PPH,SS	
13	AG559237	8	BOLT 0.50-13NCX 1.50 G8 ZN HHD	
14	AG561665	8	BOLT 0.50-13NCX 2.00 G8 ZN HHD	
15	AG561952	8	BOLT 0.25-20NCX 1.25 SS HHD	
16	AG562082	4	WASHER #10 FL SS REG TYPE-B	
17	506686D1	2	BRKT WLDMT-MTG,BOOMREST,12X4	
18	516815D1	2	HARNES-BOOM REST	

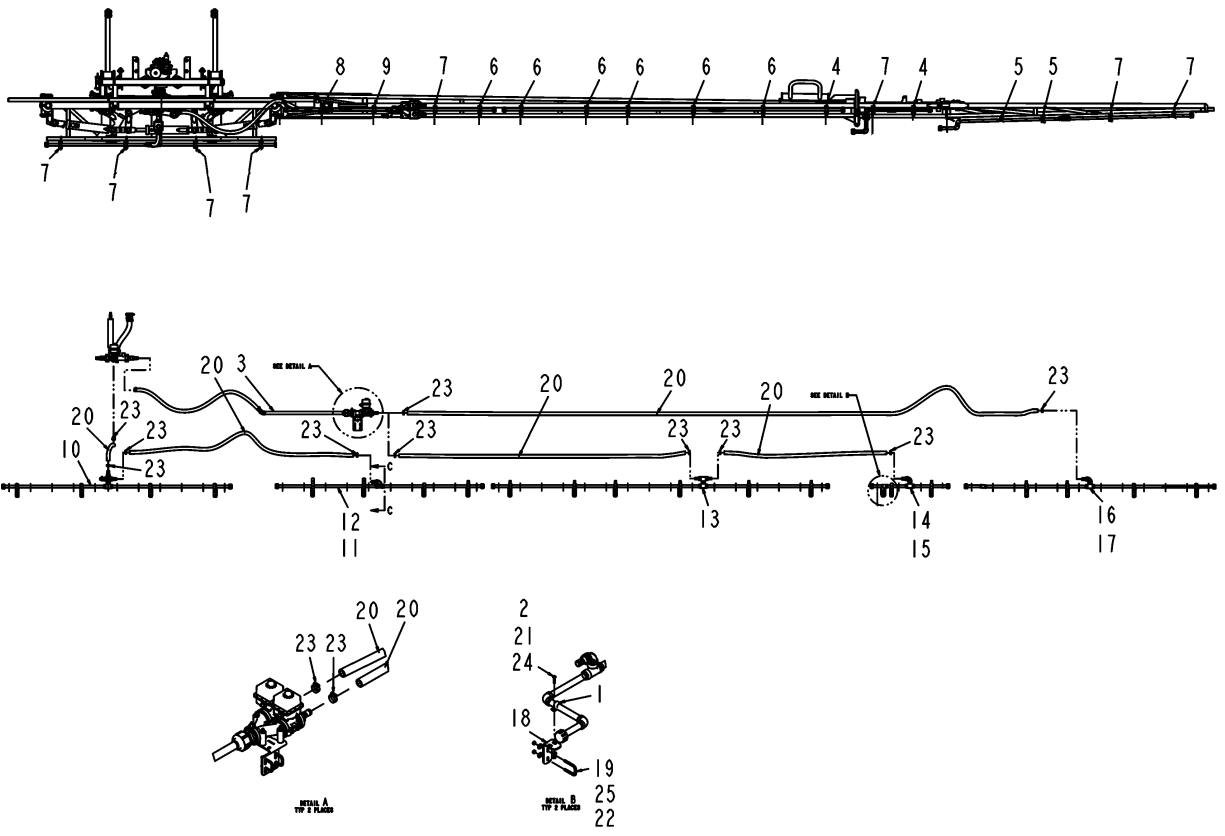
OPT-SS PLMB,80X5X10,ON,BALL	4-1
SYS INSTL-PLMB,80X5,ELEC VALVE	4-2
VALVE-BALL,1.00FP FLGXNPT,ELEC	4-3
OPT-SS PLMB,80X5X15,ON,BALL	4-4
OPT-SS PLMB,80X5X20,OFF,BALL	4-5
OPT-PP PLMB,120X7X10,ON,BALL	4-6
OPT-PP PLMB,120X7X10,ON,BALL	4-7
OPT-PP PLMB,120X7X20,OFF,BALL	4-8
OPT-PP PLMB,120X7X20,OFF,BALL	4-9
OPT-PP PLMB,90X5X10,ON,RTRY	4-10
SYS INSTL-PLMB,1.50,90X5,RTRY	4-11
OPT-PP PLMB,90X5X20,OFF,RTRY	4-12
SYS INSTL-PLMB,1.50,100X5,RTRY	4-13
OPT-PP PLMB,100X5X20,OFF,RTRY	4-14
SYS INSTL-PLMB,120X7,ELEC VLV	4-17
OPT-PP PLMB,120X7X20,OFF,RTRY	4-18
OPT-PP PLMB,120X7X20,OFF,RTRY	4-19
PIPE ASM-ENDROW,ELEC,10/20,PP	4-20
VALVE-SOL,NOZ BODY,ARAG,150PSI	4-21
PIPE ASM-ENDROW,ELEC,10/20,SS	4-22
PIPE ASM-ENDROW,ELEC,15,SS	4-23
MANF INSTL-HV,1.50,STD BM PLMB	4-24
MANF ASM-HV,1.50HB,STD BM PLMB	4-25
MANIFOLD INSTL-STD,BALL VALVE	4-26
MANIFOLD INSTL-HV,BALL VALVE	4-27
NOZ INSTL-FENCE ROW,RG,120FT	4-28
PIPE ASM-.5X10,PP,ENDROW	4-29
VALVE/BRKT ASM-MAIN,2.00 BTFL	4-30
VALVE-BTFL,2.00,SPR RTN,PNEU	4-31
ACTUATOR-VALVE,2.00,SPR RTN	4-32
MANF INSTL-BM,HV Y,W/BALL VLV	4-33
NOZ HLDR-SGL 1.00 IPS	4-34
SINGLE NOZZLE HOLDER-.75 PIPE	4-35
KIT-NOZ,SPRAY,VARITARGET,CLR,5	4-36
NOZZLE-SPRAY,VARITARGET,1.2GPM	4-37
KIT-NOZ,VARITARGET,CLR,25	4-38
HANGER ASM-HOSE	4-39
PLMB ASM-PROD,LIQ,8/10/12X4	4-40
PLMB ASM-DISTR,PRESS W/STRAIN	4-41
STRAINER-Y,2.00FP FLG,W/30MESH	4-42
PLMB ASM-PUMP/SUCTION	4-43
BOX ASM-CTRL,PLMB,PRESS MANF	4-44
VALVE 0.75 NPT BALL UNION POLY	4-45
BRKT ASM-MTG,ANG,SNSR,LH	4-46
BRKT ASM-MTG,ANG,SNSR,RH	4-47
BRKT ASM-MTG,VERT,SNSR,AUTOBM	4-48
PLMB INSTL-HV,BOOM,LH,80	4-49
PLMB INSTL-HV,BOOM,RH,80	4-50
PLMB INSTL-HV,BOOM,CENTER	4-51
VALVE QUIK-STOP1.00NPTX0.75NPT	4-52
BLKHD BR TEE ASM,-12 ORFS	4-53

BRKT WLDMT-MTG,2.00X2.00 FLG	4-54
BRKT ASM-L REV/P CLP STD U	4-55
BRKT ASM-L W/P CLP,STD UBOLT	4-56
BRKT ASM-L W/2 P CLP,STD UBOLT	4-57
BRKT ASM-L,STD UBOLT	4-58
BRKT ASM-L,PP STAUFF,LG U BOLT	4-59
BRKT ASM-L,2 STAUFF,STD U	4-60
PIPE ASM-X W/3 1.00HB,11X10,SS	4-61
PIPE ASM-90D W/1HB,10X10,SS,LH	4-62
PIPE ASM-90D W/1HB,10X10,SS,RH	4-63
PIPE ASM-T W/2 1.00HB,16X10,SS	4-64
PIPE ASM-90D W/1HB,4X10,SS,RH	4-65
PIPE ASM-90D W/1HB,4X10,SS,LH	4-66
PIPE ASM-90D W/1HB,12X10,SS,RH	4-67
PIPE ASM-90D W/1HD,12X10,SS,LH	4-68
BRKT ASM-L W/2 P CLP,LG UBOLT	4-69
PIPE ASM-X W/3 1.00HB,11X10,SS	4-70
PIPE ASM-90D W/1HB,7X15,SS,LH	4-71
PIPE ASM-90D W/1HB,7X15,SS,RH	4-72
PIPE ASM-T W/2 1HB,11X15,SS,LH	4-73
PIPE ASM-T W/2 1HB,11X15,SS,RH	4-74
PIPE ASM-90D W/1.00HB,2X15,SS	4-75
PIPE ASM-90D W/1HB,8X15,SS,RH	4-76
PIPE ASM-90D W/1HB,8X15,SS,LH	4-77
BRKT ASM-L W/REV P CLP	4-78
PIPE ASM-X W/3 1.00HB,6X20,SS	4-79
PIPE ASM-90D W/1HB,5X20,SS,LH	4-80
PIPE ASM-90D W/1HB,5X20,SS,RH	4-81
PIPE ASM-T W/2 1.00HB,8X20,SS	4-82
PIPE ASM-90D W/1.00HB,2X20,SS	4-83
PIPE ASM-90D W/1.00HB,6X20,SS	4-84
BRKT ASM-ENDROW,IPS CLP,RH	4-85
BRKT ASM-ENDROW,IPS CLP,LH	4-86
BRKT ASM-ENDROW,STAUFF,.75,LH	4-87
BRKT ASM-ENDROW,STAUFF,.75,RH	4-88
NOZZLE ASM-INJ,2 LOOP,2.00 NPT	4-89
RETAINER ASM-BOOM,LIQ,COMBO	4-90
BRKT ASM-L,PP STAUFF 1.25 P	4-91
BRKT ASM-L,PP STAUFF	4-92
BRKT ASM-STR,SH,IPS CLP	4-93
BRKT ASM-STR,LS,IPS,1.25 P CLP	4-94
BRKT ASM-L,PP STAUFF,CTR P CLP	4-95
BRKT ASM-STR,LG,IPS,P CLP	4-96
BRKT ASM-L,PP STAUFF,1.00U	4-97
BRKT ASM-STR,SH,IPS CLP,1.00U	4-98
PIPE ASM-X W/3 1.00HB,11X10,PP	4-99
BRKT ASM-STR,LG,IPS,1.62 PCLP	4-100
BRKT ASM-L,1IPS,1.50 STAUFF	4-101
BRKT ASM-L,1IPS,1.50 STAUFF,LG	4-102
BRKT ASM-STR,LG,IPS,2PCLP	4-103
BRKT ASM-STR,SH,IPS,1.25,1.00	4-104

BRKT ASM-L,1.50 STAUFF,STD U	4-105
BRKT ASM-L,1.50 STAUFF,P,LG U	4-106
BRKT ASM-STR,LG,IPS,2XP CLP	4-107
BRKT ASM-L,PP STAUFF,PCLP,1.00	4-108
BRKT ASM-L W/1.25/1.00 PCLP	4-109
BRKT ASM-STR,SH,2X 1.25 P CLP	4-110
PIPE ASM-T W/2 1.00HB,7X10,PP	4-111
PIPE ASM-90D W/1HB,5X10,PP,RH	4-112
PIPE ASM-90D W/1HB,5X10,PP,LH	4-113
PIPE ASM-90D W/1.25HB,12X10,PP	4-114
PIPE ASM-90D W/1HB,7X10,PP,RH	4-115
PIPE ASM-90D W/1HB,7X10,PP,LH	4-116
PIPE ASM-T W/1.25/1HD,9X10,PP	4-117
PIPE ASM-2T,W/4 1HB,19X10,PP	4-118
BRKT ASM-L,REV,1.00PP STAUFF	4-119
BRKT ASM-STR,SH,IPS,1.25 P CLP	4-120
BRKT ASM-STR,LG,1.25 PCLP 2IPS	4-121
BRKT ASM-L,PP STAUFF,1.25 PCLP	4-122
PIPE ASM-90D W/1.00HB,6X20,PP	4-123
PIPE ASM-X W/3 1.00HB,6X20,PP	4-124
PIPE ASM-90D W/1HB,3X20,PP,RH	4-125
PIPE ASM-90D W/1HB,3X20,PP,LH	4-126
PIPE ASM-W/2 1.00HB,77.00,PP	4-127
BRKT ASM-STR,SH,1.25 PCLP	4-128
BRKT ASM-STR,LG,IPS,2PCL,1.25	4-129
PIPE ASM-90D W/1.25HB,6X20,PP	4-130
PIPE ASM-T W/2 1.00HB,3X20,PP	4-131
PIPE ASM-90D W/1HB,3X20,PP,RH	4-132
PIPE ASM-90D W/1HB,3X20,PP,LH	4-133
PIPE ASM-T W/2 1.00HB,7X20,PP	4-134
PIPE ASM-T W/1.25/1HB,5X20,PP	4-135
OPT-NOZ,5WAY,RTRY,120X10,ON	4-136
NOZ HLDR-TPL 1.00 IPS	4-137
OPT-NOZ,5WAY,RTRY,120X20,OFF	4-138
BRKT ASM-MTG,ANG,INR,SNSR,RH	4-139
BRKT ASM-MTG,ANG,INR,SNSR,LH	4-140
PIPE ASM-T W/1.25/1HB,11X10,PP	4-141
BRKT ASM-Z,SH,1.00IPS	4-142
BRKT ASM-Z,SH,UPR IPS/PCLP	4-143
BRKT ASM-Z,LG,2IPS/PCLP	4-144
BRKT ASM-Z,LG,LWR IPS/PCLP	4-145
BRKT ASM-Z,LG,1.50 STAUFF	4-146
BRKT ASM-Z,PP STAUFF	4-147
BRKT ASM-Z,PP STAUFF,LWR PCLP	4-148
BRKT ASM-Z,SIDE MTG,1.50STAUFF	4-149
BRKT ASM-STR,SH,PCLP	4-150
BRKT ASM-L,PP STAUFF	4-151
BRKT ASM-L,PP STAUFF	4-152
BRKT ASM-T,PP STAUFF	4-153
BRKT ASM-L/STR,IPS/1.50 STAUFF	4-154
BRKT ASM-L,ENDROW,IPS,RH	4-155

BRKT ASM-L,ENDROW,IPS,LH	4-156
PIPE ASM-45D W/1.00HB,2X8,PP,E	4-157
BRKT ASM-Z,PP STAUFF,REV U	4-158
BRKT ASM-L,LG OFFSET,IPS	4-159
PIPE ASM-T W/2 1.00HB,4X10,PP	4-160
PIPE ASM-T W/2 1.25HB,8X10,PP	4-161
BRKT ASM-L,LG,STAUFF,1.25P CTR	4-162
PIPE ASM-90D W/1.25HB,7X10,RH	4-163
PIPE ASM-90D W/1.25HB,7X10,LH	4-164
PIPE ASM-90D W/1.25HB,5X10,RH	4-165
PIPE ASM-90D W/1.25HB,5X10,LH	4-166
PIPE ASM-T W/2 1.25HB,11X10,PP	4-167
BRKT ASM-L,LG,STAUFF,REV U	4-168
BRKT ASM-STR,XLG,STAUFF,LG U	4-169
BRKT ASM-STR,LG,1.00IPS,STD U	4-170
BRKT ASM-Z,LG,UPR IPS/PCLP	4-171
PIPE ASM-90D W/1.25HB,2X20,RH	4-172
PIPE ASM-90D W/1.25HB,2X20,LH	4-173
PIPE ASM-90D W/1.25HB,3X20,RH	4-174
PIPE ASM-90D W/1.25HB,3X20,LH	4-175
PIPE ASM-T W/2 1.00HB,4X20,PP	4-176
PIPE ASM-T W/2 1.00HB,6X20,PP	4-177
BRKT ASM-L,LG,IPS	4-178
PIPE ASM-T W/1.25/1HB,5X20,PP	4-179
PIPE ASM-T RED W/2 1HB,3X20,PP	4-180
PIPE ASM-T W/2 1.00HB,11X10,PP	4-181
BRKT ASM-Z,LG,IPS/2PCLP	4-182
BRKT ASM-Z,LG,IPS/1.50 PCLP	4-183
BRKT ASM-L,LG,STAUFF,CTR CLP	4-184
BRKT ASM-L,LG,STAUFF,1.50 PCLP	4-185
PIPE ASM-T W/1.5/1HB,11X10,PP	4-186
PIPE ASM-T W/ 1.5/1HB,6X20,PP	4-187
BRKT ASM-Z,LG,1.25/1.50 PCLP	4-188
PIPE ASM-T RED W/2 1HB,5X20,PP	4-189
CALIBRATION ASM-SDKCK	4-190
BRKT INSTL-MTG,ADJ,SPR,UPR	4-191
PIPE ASM-T W/1.25/1HB,9X10,PP	4-192
NOZZLE-SPRAY,VARITARGET,1.5GPM	4-193
BRKT ASM-MTG,VERT,1.50,SNSR	4-194
BRKT ASM-MTG,80,SNSR,AUTOBOOM	4-195
SYS INSTL-NO BCO,BM TREE,5.00	4-196
PIPE ASM-T W/1.25/1HB,5X20,PP	4-197
BRKT ASM-L,LG,STAUFF,CTR CLP	4-198
BRKT ASM-L,LG,IPS,LG U	4-199
OPT-PP PLMB,120X7X10,ON,RTRY	4-200
OPT-PP PLMB,120X7X10,ON,RTRY	4-201
SYS INSTL-PLMB,1.50,120X7,RTRY	4-202
PIPE ASM-90D W/1HB,7X10,PP,RH	4-203
PIPE ASM-90D W/1HB,7X10,PP,LH	4-204
PIPE ASM-T W/1.25/1HB,8X10,RH	4-205
PIPE ASM-T W/1.25/1HB,8X10,LH	4-206

PIPE ASM-T W/1.25/1HB,5X20,RH	4-207
PIPE ASM-T W/1.25/1HB,5X20,LH	4-208
BRKT ASM-L,1.50 STAUFF,PCLP	4-209
BRKT ASM-L,LG,STAUFF,PCLP,1.O	4-210
BRKT ASM-L,LG,STAUFF,REV 1.00U	4-211
BRKT ASM-STR,LG,IPS,REV 1.00U	4-212
BRKT ASM-STR,LG,IPS/PCLP,1.00U	4-213
BRKT ASM-Z,LG,2XIPS	4-214
BRKT ASM-STR,XLG,IPS,2XPCLP	4-215
PIPE ASM-T W/2 1.00HB,8X10,PP	4-216
BRKT ASM-STR,LG,IPS,1.25 PCLP	4-217
BRKT ASM-STR,XLG,IPS,PCLP	4-218
BRKT ASM-STR,XLG,IPS,1.25 PCLP	4-219
PIPE ASM-W/2 1.00HB,102.00,PP	4-220
PIPE ASM-90D W/1.00HB,7X20,PP	4-221
PIPE ASM-90D W/1HB,3X20,PP,RH	4-222
PIPE ASM-90D W/1HB,3X20,PP,LH	4-223
PIPE ASM-T W/2 1.00HB,6X20,PP	4-224
PIPE ASM-90D W/1HB,7X10,PP,RH	4-225
PIPE ASM-90D W/1HB,7X10,PP,LH	4-226
PIPE ASM-X W/3 1.00HB,6X20,PP	4-227
PIPE ASM-90D W/1.00HB,6X20,PP	4-228
BRKT ASM-L/STR,IPS/1.50 STAUFF	4-229
BRKT ASM-L,LG,STAUFF,LG UBOLT	4-230
BRKT ASM-L,LG,STAUFF,XLG OFFST	4-231
BRKT ASM-STR,LG,IPS,LG UBOLT	4-232
PIPE ASM-2T,1HB/125HB,19X10,PP	4-233
PIPE ASM-90D W/1.00HB,12X10,PP	4-234
BRKT ASM-STR,SH,1.00/1.25 PCLP	4-235
BRKT ASM-STR,SH,IPS/1.00 PCLP	4-236
SHAFT AS-PEDAL	4-237
BRKT ASM-MTG,SNSR	4-238
BRKT ASM-Z,SH,1.00IPS/1.25PCLP	4-239
PIPE ASM-X,W/2125/1HB,11X10,PP	4-240

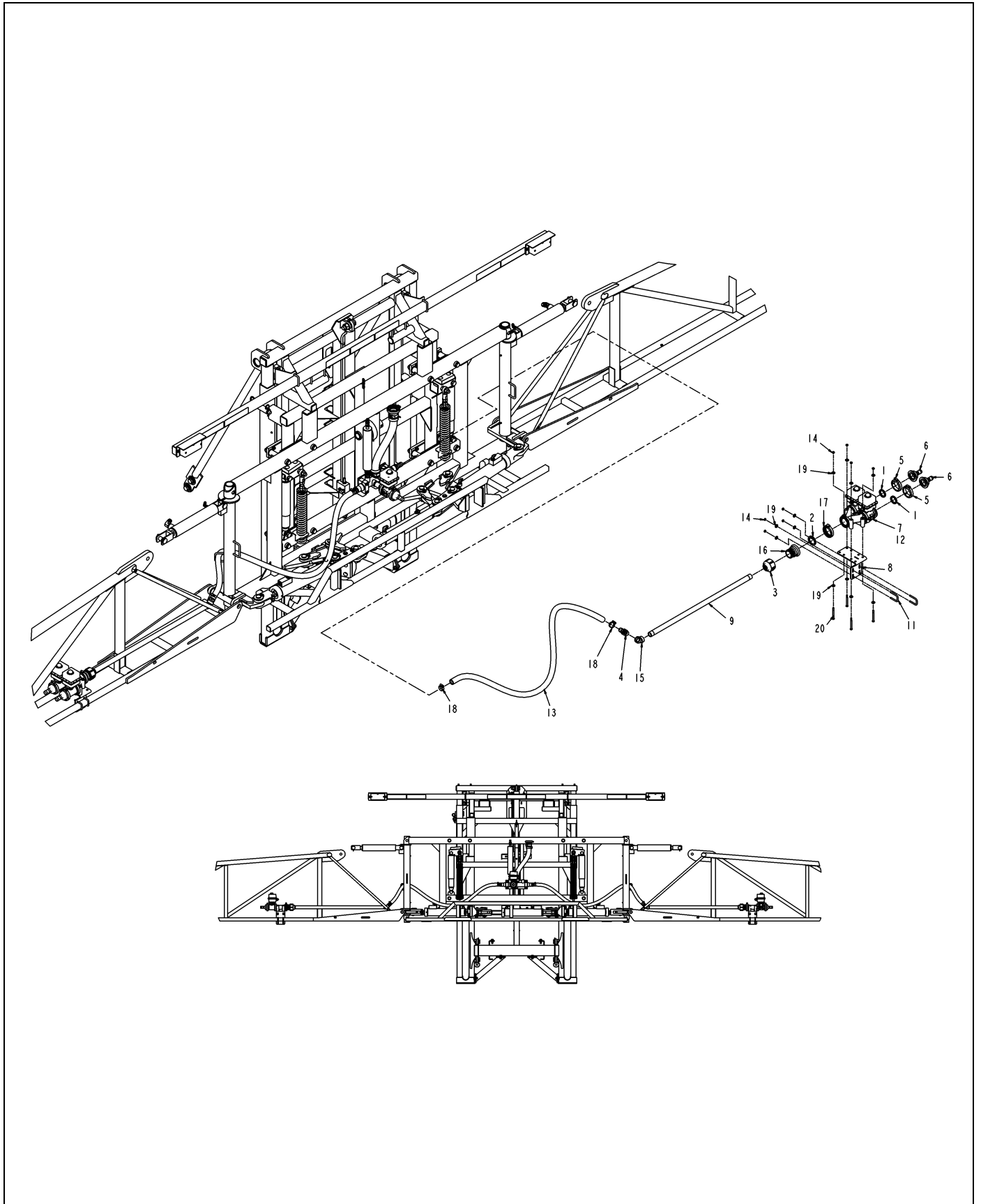


134613-A.tif

OPT-SS PLMB,80X5X10,ON,BALL

ITEM	PART #	QTY	DESCRIPTION	COMMENTS
1	AG010354	2	CLAMP LOOM 1.00 PER DWG (D)	
2	AG027275	2	NUT 0.25-20NC HEX SS REG NY	
3	AG122148	1	SYS INSTL-PLMB,80X5,ELEC VALVE	SEE PAGE 4-2
4	AG122328	4	BRKT ASM-L REV/P CLP STD U	SEE PAGE 4-55
5	AG122329	4	BRKT ASM-L W/P CLP,STD UBOLT	SEE PAGE 4-56
6	AG122330	12	BRKT ASM-L W/2 P CLP,STD UBOLT	SEE PAGE 4-57
7	AG122331	12	BRKT ASM-L,STD UBOLT	SEE PAGE 4-58
8	AG122512	2	BRKT ASM-L,PP STAUFF,LG U BOLT	SEE PAGE 4-59
9	AG122514	2	BRKT ASM-L,2 STAUFF,STD U	SEE PAGE 4-60
10	AG134620	1	PIPE ASM-X W/3 1.00HB,11X10,SS	SEE PAGE 4-61
11	AG134621	1	PIPE ASM-90D W/1HB,10X10,SS,LH	SEE PAGE 4-62
12	AG134622	1	PIPE ASM-90D W/1HB,10X10,SS,RH	SEE PAGE 4-63
13	AG134623	2	PIPE ASM-T W/2 1.00HB,16X10,SS	SEE PAGE 4-64
14	AG134624	1	PIPE ASM-90D W/1HB,4X10,SS,RH	SEE PAGE 4-65
15	AG134625	1	PIPE ASM-90D W/1HB,4X10,SS,LH	SEE PAGE 4-66
16	AG134626	1	PIPE ASM-90D W/1HB,12X10,SS,RH	SEE PAGE 4-67
17	AG134627	1	PIPE ASM-90D W/1HD,12X10,SS,LH	SEE PAGE 4-68
18	AG217609	2	BRACKET TUBE BREAKAWAY SUPPORT	
19	AG231204	2	BOLT-U .31-18X1.88X2.63	
20	AG511528	-	HOSE 1.00 2BRD EPDM [BULK: 106.834 FT]	
21	AG515121	2	WASHER 0.25 FL SS REG TYPE-B	
22	AG516403	4	NUT 0.31-18NC HEX SS REG NY	
23	AG561213	18	CLAMP 0.81-1.50 HOSE 16HS	
24	AG561952	2	BOLT 0.25-20NCX 1.25 SS HHD	
25	AG562074	4	WASHER 0.31 FL SS REG TYPE-B	
26	AG562496	AR	TIE CABLE 15.0 .18-4.00 BLACK	

SYS INSTL-PLMB,80X5,ELEC VALVE



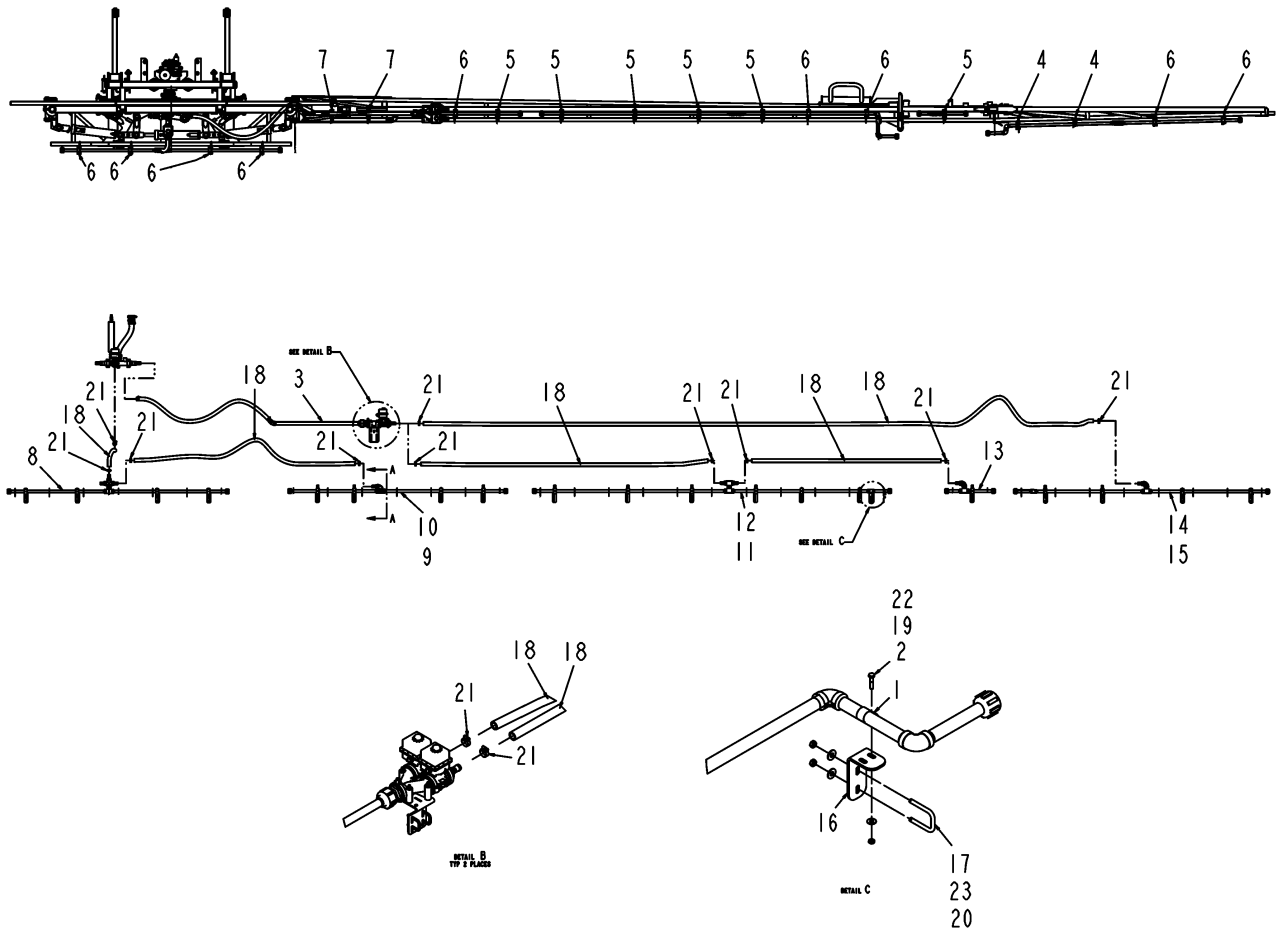
122148.tif

SYS INSTL-PLMB,80X5,ELEC VALVE

ITEM	PART #	QTY	DESCRIPTION	COMMENTS
1	AG000772	4	GASKET 1.50 EPDM	
2	AG000773	2	GASKET 2.00 EPDM	
3	AG050264	2	COUPLG RED 1.00X 2.00NPT POLYP	
4	AG051059	2	BARB-HOSE,1.00MNPTX1.00BARB,PP	
5	AG056785	4	CLAMP 2.00 FLANGE	
6	AG057593	4	CONNECTOR 2.00X1.00HOSE	
7	AG121882	2	MANIFOLD ASM-Y,1.00FP FLG,ELEC	SEE PAGE 2-2
8	AG122147	2	BRKT WLDMT-MTG,Y MANF,BM PLMB	
9	AG123029	2	TUBE-SECTION FEED,38.00,PP	
10	AG129187	AR	PIPE SEALANT-FLEX BLACK	
11	AG231204	4	BOLT-U .31-18X1.88X2.63	
12	WR504301	1	HARN INSTL-ELEC BM SECT VLV	SEE PAGE 6-2
13	AG511528	-	HOSE 1.00 2BRD EPDM [BULK: 12.950 FT]	
14	AG516403	8	NUT 0.31-18NC HEX SS REG NY	
15	AG519838	2	ELBOW-PIPE,1.00FNPT,45D,PP	
16	AG522893	2	CONNECTOR-2.00FLGX2.00NPT	
17	AG522895	2	CLAMP-WORM SCREW,2.00,SS	
18	AG561213	4	CLAMP 0.81-1.50 HOSE 16HS	
19	AG562074	24	WASHER 0.31 FL SS REG TYPE-B	
20	AG708300	8	BOLT 0.31-18NCX 3.50 SS HHD	

VALVE-BALL,1.00FP FLGXNPT,ELEC

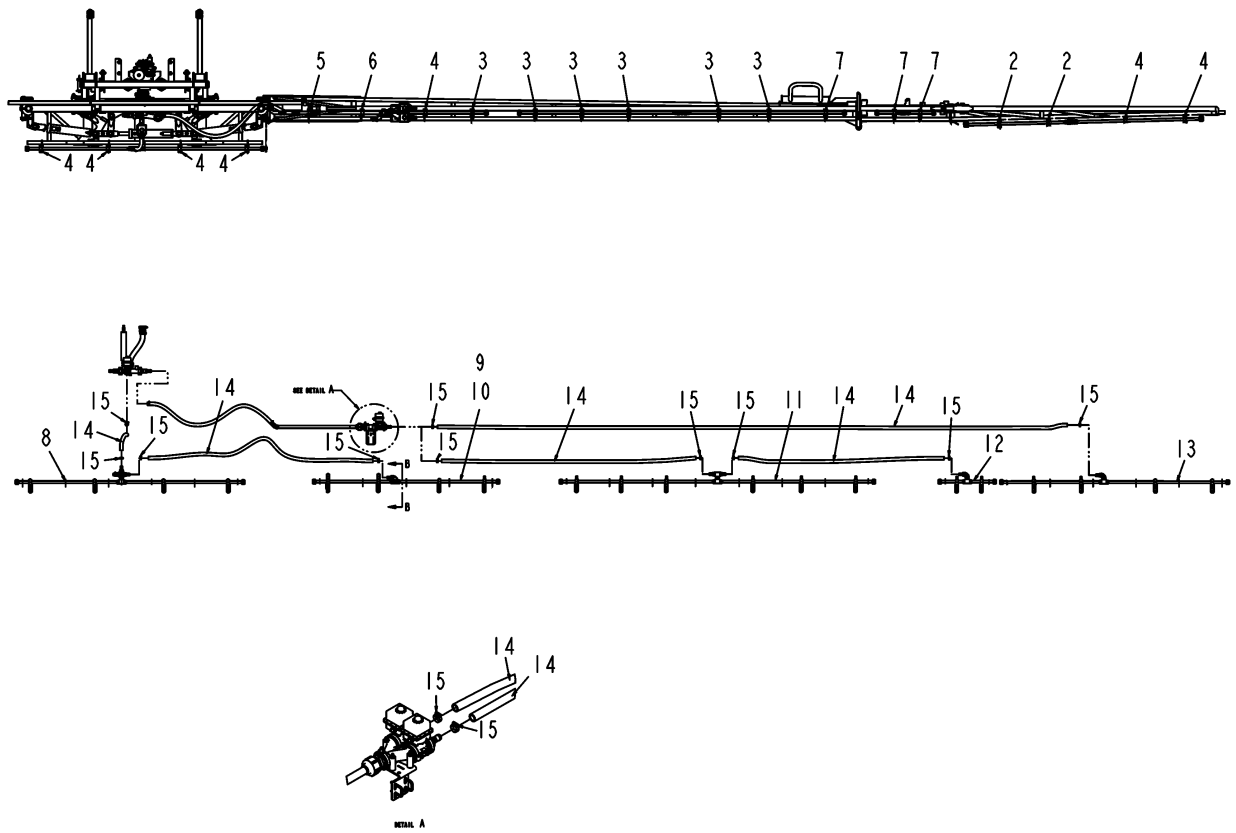
ITEM	PART #	QTY	DESCRIPTION	COMMENTS
REF	AG060921	1	KIT/REPAIR,KZ VALVE 121924	
REF	AG331436	-	SEAL/KIT-VITON	
REF	AG131748	-	MOTOR, GEAR ASM	
REF	AG131739	-	BOARD, CIRCUIT W/CABLE	
1	AG121924	1	BODY-VALVE,FLG OUTLET,1.00,2W	
2	AG121929	1	ACTUATOR-000-60-M-9	SEE PAGE 6-3
3	AG131731	1	RETAINER, STEM	
4	AG131732	1	WASHER, THRUST	
5	AG131733	1	STEM, SS	
6	AG131734	2	O-RING, STEM	
7	AG726981	1	PIN / HAIR	
8	AG131735	3	O-RING, SEAT	
9	AG131776	2	COLLECTOR, OIL	
10	AG726982	1	BALL / 2-WAY	
11	AG131737	1	O-RING	
12	AG131738	1	FLANGE	
13	WR35020	1	ORING-SEAL,VALVE,QC3	
14	AG121922	1	CLAMP-V BAND,QX4	
15	AG121925	1	CAP-END,1.00 FNPT	
16	AG121926	2	NUT-KEP"S,50-20NC	
17	AG131743	1	DOME, CLEAR	
18	AG131744	1	FLAG	
19	AG131745	1	DOME, LID	
20	AG131746	2	CASE, BOTTOM	
21	AG131747	2	STUD, MOUNTING	



134614-A.tif

OPT-SS PLMB,80X5X15,ON,BALL

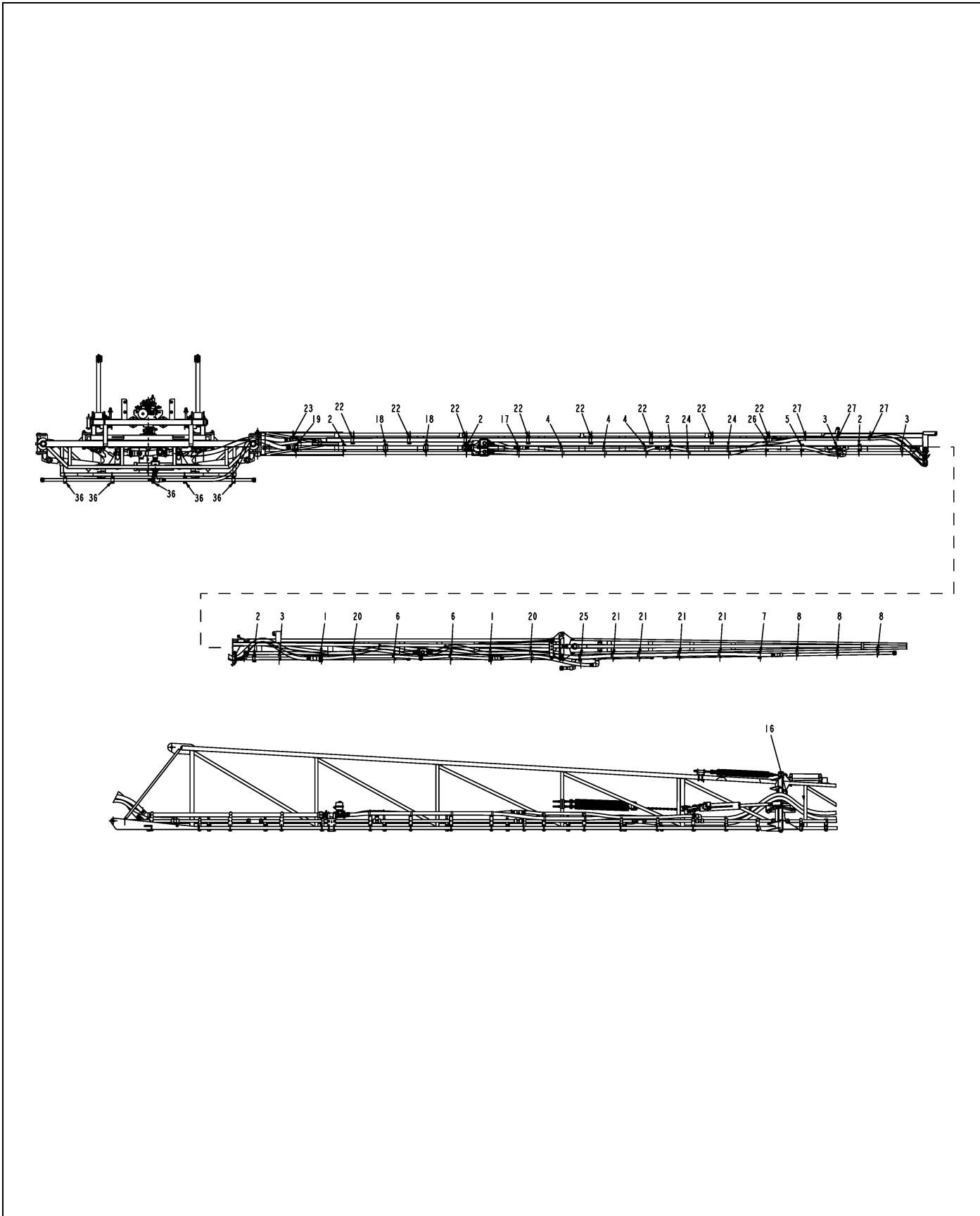
ITEM	PART #	QTY	DESCRIPTION	COMMENTS
1	AG010354	2	CLAMP LOOM 1.00 PER DWG (D)	
2	AG027275	2	NUT 0.25-20NC HEX SS REG NY	
3	AG122148	1	SYS INSTL-PLMB,80X5,ELEC VALVE	SEE PAGE 4-2
4	AG122329	4	BRKT ASM-L W/P CLP,STD UBOLT	SEE PAGE 4-56
5	AG122330	12	BRKT ASM-L W/2 P CLP,STD UBOLT	SEE PAGE 4-57
6	AG122331	12	BRKT ASM-L,STD UBOLT	SEE PAGE 4-58
7	AG122450	4	BRKT ASM-L W/2 P CLP,LG UBOLT	SEE PAGE 4-69
8	AG134628	1	PIPE ASM-X W/3 1.00HB,11X10,SS	SEE PAGE 4-70
9	AG134629	1	PIPE ASM-90D W/1HB,7X15,SS,LH	SEE PAGE 4-71
10	AG134630	1	PIPE ASM-90D W/1HB,7X15,SS,RH	SEE PAGE 4-72
11	AG134631	1	PIPE ASM-T W/2 1HB,11X15,SS,LH	SEE PAGE 4-73
12	AG134632	1	PIPE ASM-T W/2 1HB,11X15,SS,RH	SEE PAGE 4-74
13	AG134633	2	PIPE ASM-90D W/1.00HB,2X15,SS	SEE PAGE 4-75
14	AG134634	1	PIPE ASM-90D W/1HB,8X15,SS,RH	SEE PAGE 4-76
15	AG134635	1	PIPE ASM-90D W/1HB,8X15,SS,LH	SEE PAGE 4-77
16	AG217609	2	BRACKET TUBE BREAKAWAY SUPPORT	
17	AG231204	2	BOLT-U .31-18X1.88X2.63	
18	AG511528	-	HOSE 1.00 2BRD EPDM [BULK: 109.667 FT]	
19	AG515121	2	WASHER 0.25 FL SS REG TYPE-B	
20	AG516403	4	NUT 0.31-18NC HEX SS REG NY	
21	AG561213	16	CLAMP 0.81-1.50 HOSE 16HS	
22	AG561952	2	BOLT 0.25-20NCX 1.25 SS HHD	
23	AG562074	4	WASHER 0.31 FL SS REG TYPE-B	
24	AG562496	AR	TIE CABLE 15.0 .18-4.00 BLACK	



134615-A.tif

OPT-SS PLMB,80X5X20,OFF,BALL

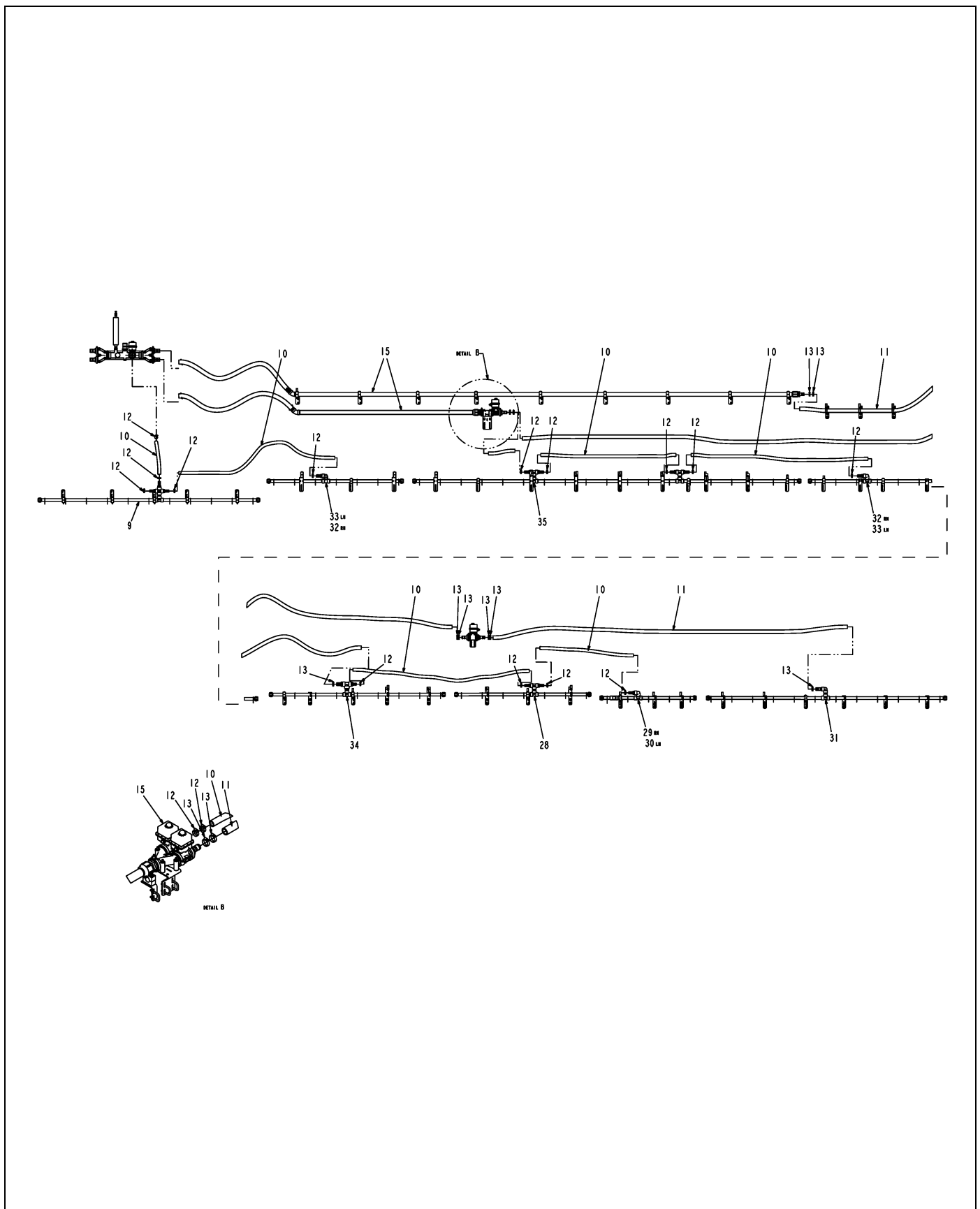
ITEM	PART #	QTY	DESCRIPTION	COMMENTS
1	AG122148	1	SYS INSTL-PLMB,80X5,ELEC VALVE	SEE PAGE 4-2
2	AG122329	4	BRKT ASM-L W/P CLP,STD UBOLT	SEE PAGE 4-56
3	AG122330	12	BRKT ASM-L W/2 P CLP,STD UBOLT	SEE PAGE 4-57
4	AG122331	10	BRKT ASM-L,STD UBOLT	SEE PAGE 4-58
5	AG122512	2	BRKT ASM-L,PP STAUFF,LG U BOLT	SEE PAGE 4-59
6	AG122514	2	BRKT ASM-L,2 STAUFF,STD U	SEE PAGE 4-60
7	AG122515	6	BRKT ASM-L W/REV P CLP	SEE PAGE 4-78
8	AG134636	1	PIPE ASM-X W/3 1.00HB,6X20,SS	SEE PAGE 4-79
9	AG134637	1	PIPE ASM-90D W/1HB,5X20,SS,LH	SEE PAGE 4-80
10	AG134638	1	PIPE ASM-90D W/1HB,5X20,SS,RH	SEE PAGE 4-81
11	AG134639	2	PIPE ASM-T W/2 1.00HB,8X20,SS	SEE PAGE 4-82
12	AG134640	2	PIPE ASM-90D W/1.00HB,2X20,SS	SEE PAGE 4-83
13	AG134641	2	PIPE ASM-90D W/1.00HB,6X20,SS	SEE PAGE 4-84
14	AG511528	-	HOSE 1.00 2BRD EPDM [BULK: 104.834 FT]	
15	AG561213	18	CLAMP 0.81-1.50 HOSE 16HS	
16	AG562496	AR	TIE CABLE 15.0 .18-4.00 BLACK	



506449D1-04-N713-01.TIF

OPT-PP PLMB,120X7X10,ON,BALL

ITEM	PART #	QTY	DESCRIPTION	COMMENTS
1	AG122513	4	BRKT ASM-L,PP STAUFF 1.25 P	SEE PAGE 4-91
2	AG122520	10	BRKT ASM-L,PP STAUFF	SEE PAGE 4-92
3	AG122521	6	BRKT ASM-STR,SH,IPS CLP	SEE PAGE 4-93
4	AG122608	6	BRKT ASM-STR,LS,IPS,1.25 P CLP	SEE PAGE 4-94
5	AG122610	2	BRKT ASM-L,PP STAUFF,CTR P CLP	SEE PAGE 4-95
6	AG122957	4	BRKT ASM-STR,LG,IPS,P CLP	SEE PAGE 4-96
7	WR129085	2	BRKT ASM-L,PP STAUFF,1.00U	SEE PAGE 4-97
8	WR129086	6	BRKT ASM-STR,SH,IPS CLP,1.00U	SEE PAGE 4-98
14	AG562496	AR	TIE CABLE 15.0 .18-4.00 BLACK	
16	506720D1	100	SLEEVE-PROTECTIVE,NYLON,-48	
17	506721D1	2	BRKT ASM-STR,LG,IPS,1.62 PCLP	SEE PAGE 4-100
18	506722D1	4	BRKT ASM-L,1IPS,1.50 STAUFF	SEE PAGE 4-101
19	506723D1	2	BRKT ASM-L,1IPS,1.50 STAUFF,LG	SEE PAGE 4-102
20	506724D1	4	BRKT ASM-STR,LG,IPS,2PCLP	SEE PAGE 4-103
21	506725D1	8	BRKT ASM-STR,SH,IPS,1.25,1.00	SEE PAGE 4-104
22	506726D1	16	BRKT ASM-L,1.50 STAUFF,STD U	SEE PAGE 4-105
23	506727D1	2	BRKT ASM-L,1.50 STAUFF,P,LG U	SEE PAGE 4-106
24	506728D1	4	BRKT ASM-STR,LG,IPS,2XP CLP	SEE PAGE 4-107
25	506729D1	2	BRKT ASM-L,PP STAUFF,PCLP,1.00	SEE PAGE 4-108
26	506730D1	2	BRKT ASM-L W/1.25/1.00 PCLP	SEE PAGE 4-109
27	506731D1	6	BRKT ASM-STR,SH,2X 1.25 P CLP	SEE PAGE 4-110
36	508671D1	5	BRKT ASM-L,REV,1.00PP STAUFF	SEE PAGE 4-119

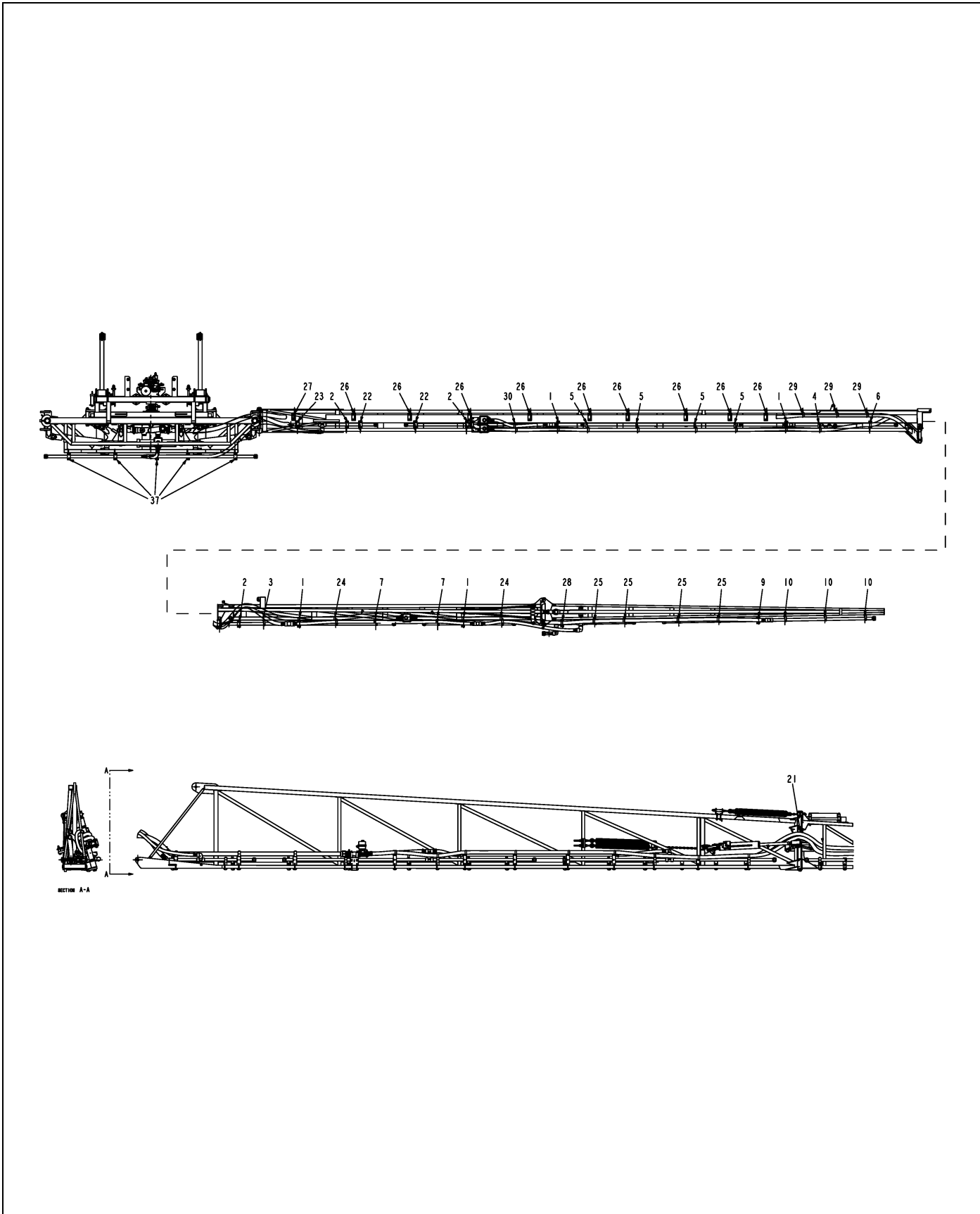


506449D1-04-N713-02.TIF

OPT-PP PLMB,120X7X10,ON,BALL

ITEM	PART #	QTY	DESCRIPTION	COMMENTS
9	AG134642	1	PIPE ASM-X W/3 1.00HB,11X10,PP	SEE PAGE 4-99
10	AG511528	-	HOSE 1.00 2BRD EPDM [BULK: 66.334 FT]	
11	AG513393	-	HOSE 1.25 2BRD EPDM [BULK: 102.500 FT]	
12	AG561213	28	CLAMP 0.81-1.50 HOSE 16HS	
13	AG561230	20	CLAMP 0.81-1.75 HOSE 20HS	
15	506451D1	1	SYS INSTL-PLMB,120X7,ELEC VLV	SEE PAGE 2-4
28	506734D1	2	PIPE ASM-T W/2 1.00HB,7X10,PP	SEE PAGE 4-111
29	506735D1	1	PIPE ASM-90D W/1HB,5X10,PP,RH	SEE PAGE 4-112
30	506736D1	1	PIPE ASM-90D W/1HB,5X10,PP,LH	SEE PAGE 4-113
31	506737D1	2	PIPE ASM-90D W/1.25HB,12X10,PP	SEE PAGE 4-114
32	506738D1	2	PIPE ASM-90D W/1HB,7X10,PP,RH	SEE PAGE 4-115
33	506739D1	2	PIPE ASM-90D W/1HB,7X10,PP,LH	SEE PAGE 4-116
34	506740D1	2	PIPE ASM-T W/1.25/1HD,9X10,PP	SEE PAGE 4-117
35	506741D1	2	PIPE ASM-2T,W/4 1HB,19X10,PP	SEE PAGE 4-118

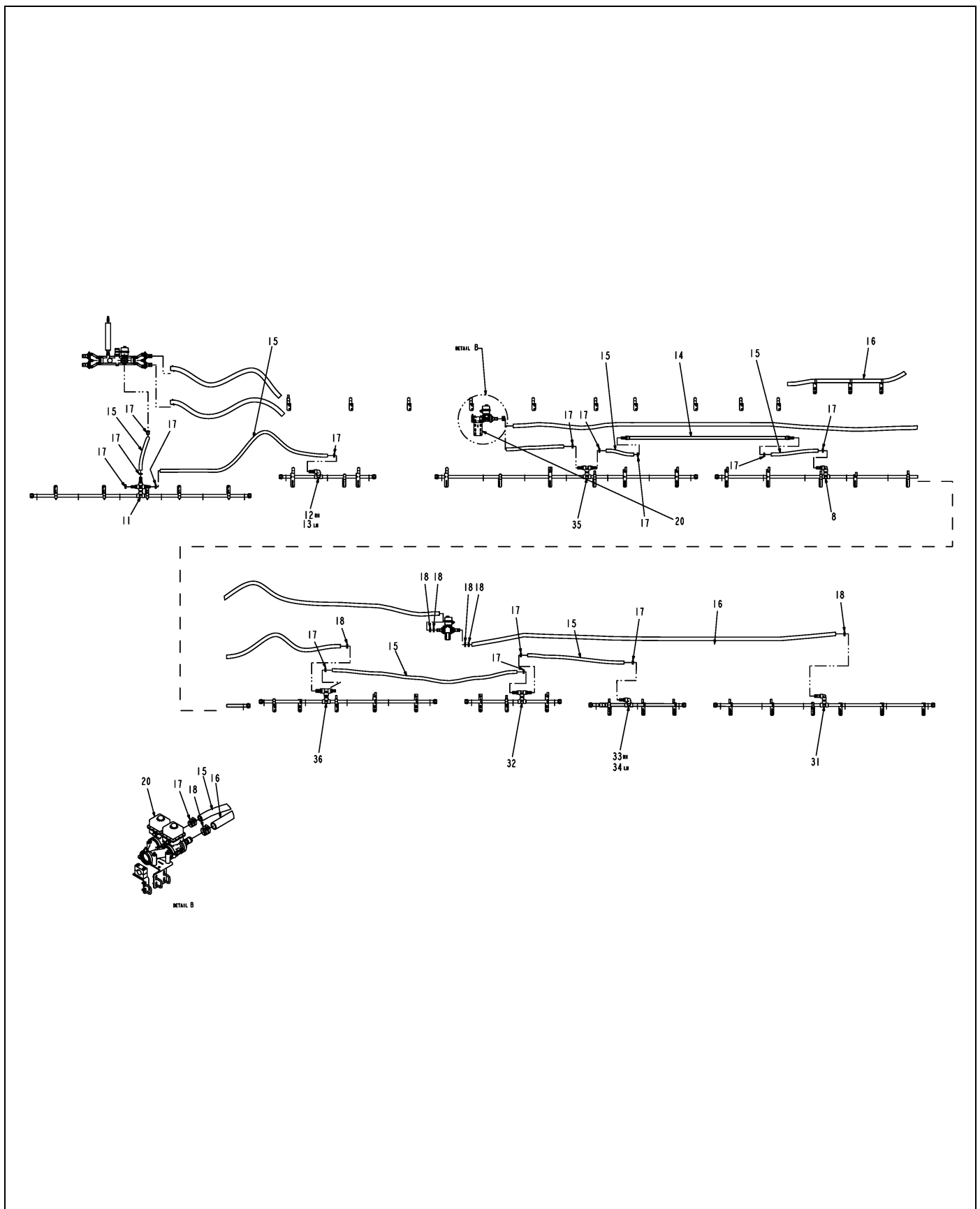
OPT-PP PLMB,120X7X20,OFF,BALL



506450D1-04-R118-01.TIF

OPT-PP PLMB,120X7X20,OFF,BALL

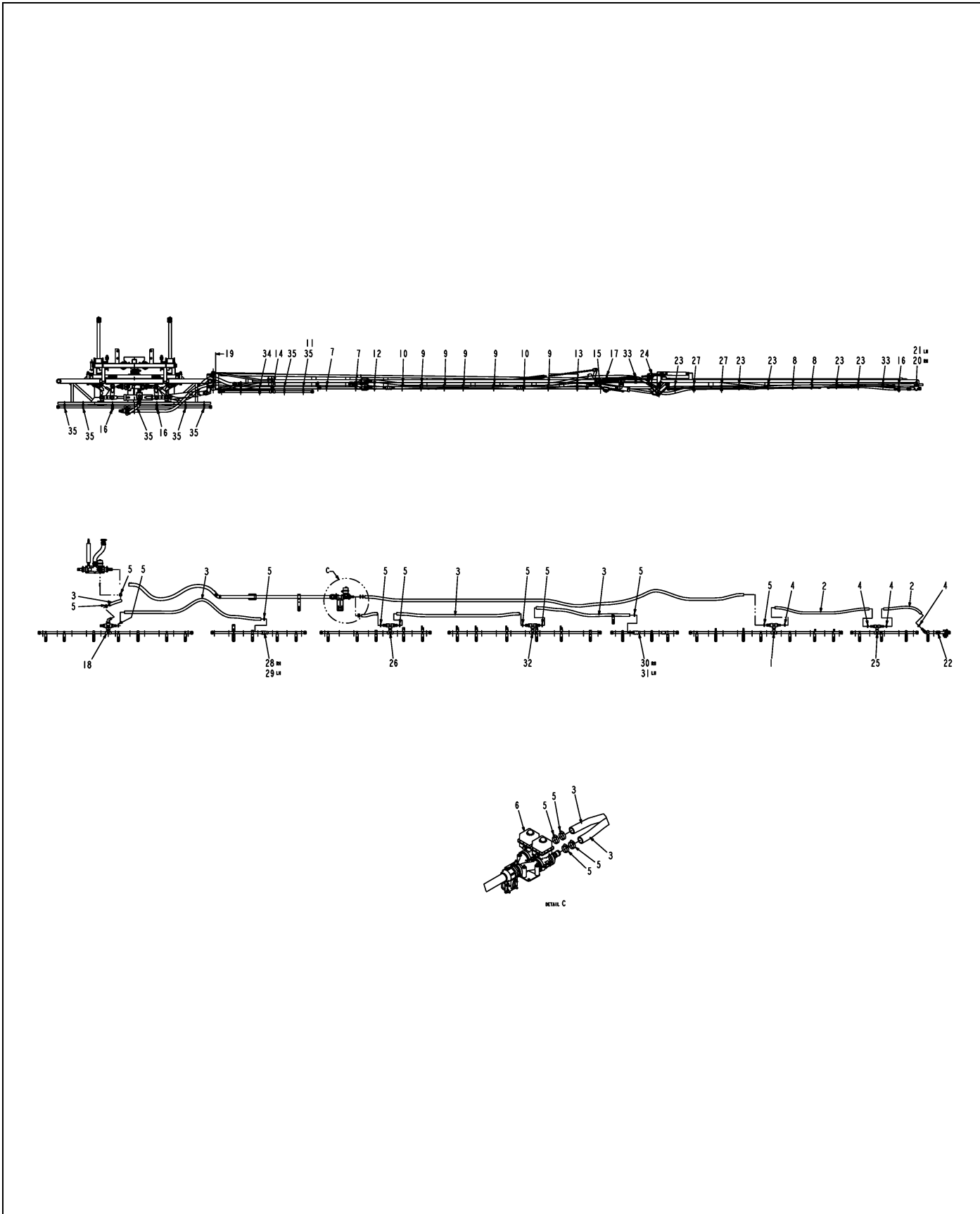
ITEM	PART #	QTY	DESCRIPTION	COMMENTS
1	AG122513	8	BRKT ASM-L,PP STAUFF 1.25 P	SEE PAGE 4-91
2	AG122520	6	BRKT ASM-L,PP STAUFF	SEE PAGE 4-92
3	AG122521	2	BRKT ASM-STR,SH,IPS CLP	SEE PAGE 4-93
4	AG122606	2	BRKT ASM-STR,SH,IPS,1.25 P CLP	SEE PAGE 4-120
5	AG122607	8	BRKT ASM-STR,LG,1.25 PCLP 2IPS	SEE PAGE 4-121
6	AG122609	2	BRKT ASM-L,PP STAUFF,1.25 PCLP	SEE PAGE 4-122
7	AG122957	4	BRKT ASM-STR,LG,IPS,P CLP	SEE PAGE 4-96
9	WR129085	2	BRKT ASM-L,PP STAUFF,1.00U	SEE PAGE 4-97
10	WR129086	6	BRKT ASM-STR,SH,IPS CLP,1.00U	SEE PAGE 4-98
19	AG562496	AR	TIE CABLE 15.0 .18-4.00 BLACK	
21	506720D1	100	SLEEVE-PROTECTIVE,NYLON,-48	
22	506722D1	4	BRKT ASM-L,1IPS,1.50 STAUFF	SEE PAGE 4-101
23	506723D1	2	BRKT ASM-L,1IPS,1.50 STAUFF,LG	SEE PAGE 4-102
24	506724D1	4	BRKT ASM-STR,LG,IPS,2PCLP	SEE PAGE 4-103
25	506725D1	8	BRKT ASM-STR,SH,IPS,1.25,1.00	SEE PAGE 4-104
26	506726D1	18	BRKT ASM-L,1.50 STAUFF,STD U	SEE PAGE 4-105
27	506727D1	2	BRKT ASM-L,1.50 STAUFF,P,LG U	SEE PAGE 4-106
28	506729D1	2	BRKT ASM-L,PP STAUFF,PCLP,1.00	SEE PAGE 4-108
29	506732D1	6	BRKT ASM-STR,SH,1.25 PCLP	SEE PAGE 4-128
30	506733D1	2	BRKT ASM-STR,LG,IPS,2PCL,1.25	SEE PAGE 4-129



506450D1-04-R118-02.TIF

OPT-PP PLMB,120X7X20,OFF,BALL

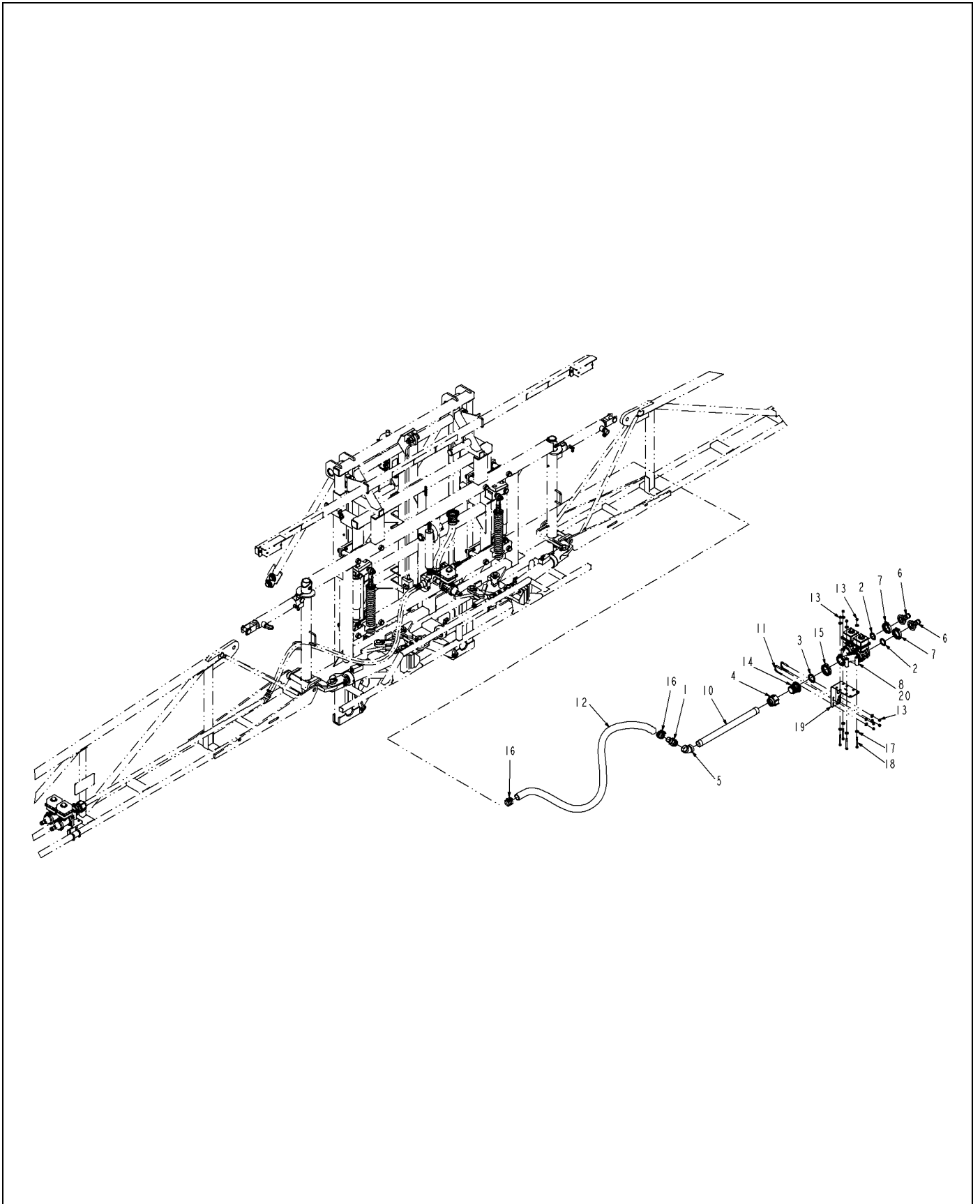
ITEM	PART #	QTY	DESCRIPTION	COMMENTS
8	WR127095	2	PIPE ASM-90D W/1.00HB,6X20,PP	SEE PAGE 4-123
11	AG134651	1	PIPE ASM-X W/3 1.00HB,6X20,PP	SEE PAGE 4-124
12	AG134652	1	PIPE ASM-90D W/1HB,3X20,PP,RH	SEE PAGE 4-125
13	AG134653	1	PIPE ASM-90D W/1HB,3X20,PP,LH	SEE PAGE 4-126
14	AG134667	2	PIPE ASM-W/2 1.00HB,77.00,PP	SEE PAGE 4-127
15	AG511528	-	HOSE 1.00 2BRD EPDM [BULK: 51.250 FT]	
16	AG513393	-	HOSE 1.25 2BRD EPDM [BULK: 103.334 FT]	
17	AG561213	28	CLAMP 0.81-1.50 HOSE 16HS	
18	AG561230	20	CLAMP 0.81-1.75 HOSE 20HS	
20	506451D1	1	SYS INSTL-PLMB,120X7,ELEC VLV	SEE PAGE 2-4
31	506742D1	2	PIPE ASM-90D W/1.25HB,6X20,PP	SEE PAGE 4-130
32	506743D1	2	PIPE ASM-T W/2 1.00HB,3X20,PP	SEE PAGE 4-131
33	508671D1	5	BRKT ASM-L,REV,1.00PP STAUFF	SEE PAGE 4-119
33	506744D1	1	PIPE ASM-90D W/1HB,3X20,PP,RH	SEE PAGE 4-132
34	506745D1	1	PIPE ASM-90D W/1HB,3X20,PP,LH	SEE PAGE 4-133
35	506746D1	2	PIPE ASM-T W/2 1.00HB,7X20,PP	SEE PAGE 4-134
36	506747D1	2	PIPE ASM-T W/1.25/1HB,5X20,PP	SEE PAGE 4-135



509898D1-01-N649-.TIF

OPT-PP PLMB,90X5X10,ON,RTRY

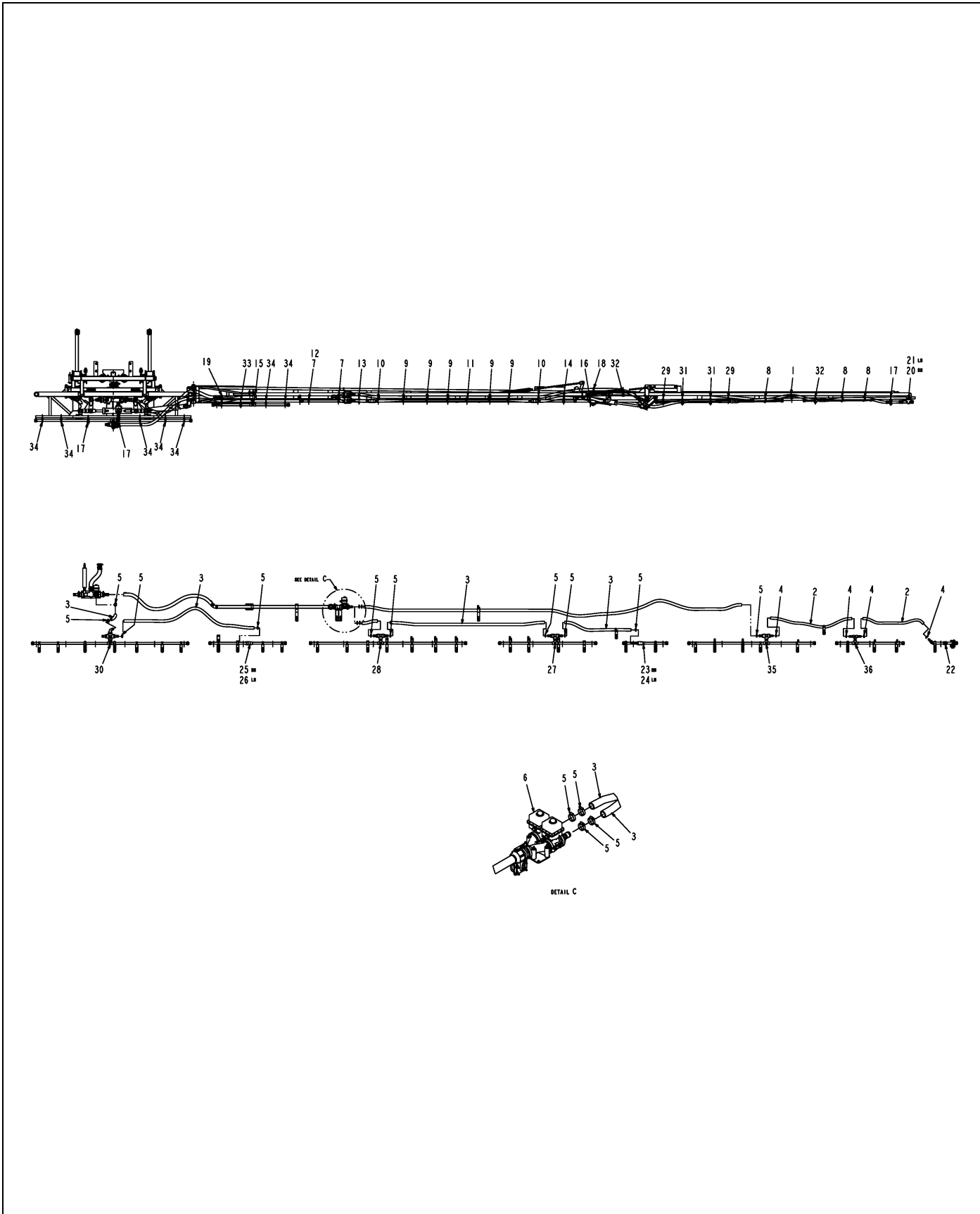
ITEM	PART #	QTY	DESCRIPTION	COMMENTS
1	AG134657	2	PIPE ASM-T W/1.25/1HB,11X10,PP	SEE PAGE 4-141
2	AG511528	-	HOSE 1.00 2BRD EPDM [BULK: 15.500 FT]	
3	AG513393	-	HOSE 1.25 2BRD EPDM [BULK: 88.917 FT]	
4	AG561213	8	CLAMP 0.81-1.50 HOSE 16HS	
5	AG561230	26	CLAMP 0.81-1.75 HOSE 20HS	
6	509724D1	1	SYS INSTL-PLMB,1.50,90X5,RTRY	SEE PAGE 4-11
7	509887D1	4	BRKT ASM-Z,SH,1.00IPS	SEE PAGE 4-142
8	509888D1	4	BRKT ASM-STR,LG,1.00IPS,PCLP	SEE PAGE 4-143
9	509889D1	10	BRKT ASM-Z,LG,2IPS/PCLP	SEE PAGE 4-144
10	509890D1	4	BRKT ASM-Z,LG,LWR IPS/PCLP	SEE PAGE 4-145
11	509892D1	2	BRKT ASM-Z,LG,1.50 STAUFF	SEE PAGE 4-146
12	509893D1	2	BRKT ASM-Z,PP STAUFF	SEE PAGE 4-147
13	509894D1	2	BRKT ASM-Z,PP STAUFF,LWR PCLP	SEE PAGE 4-148
14	509896D1	2	BRKT ASM-Z,SIDE MTG,1.50STAUFF	SEE PAGE 4-149
15	509953D1	2	BRKT ASM-STR,SH,PCLP	SEE PAGE 4-150
16	509955D1	4	BRKT ASM-L,LG,PP STAUFF	SEE PAGE 4-151
17	509956D1	2	BRKT ASM-L,LG,STAUFF,LWR PCLP	SEE PAGE 4-152
18	509957D1	1	PIPE ASM-X W/3 1.25HB,11X10,PP	SEE PAGE 4-153
19	509959D1	2	BRKT ASM-L/STR,IPS/1.50 STAUFF	SEE PAGE 4-154
20	509960D1	1	BRKT ASM-L,ENDROW,IPS,RH	SEE PAGE 4-155
21	509961D1	1	BRKT ASM-L,ENDROW,IPS,LH	SEE PAGE 4-156
22	509999D1	2	PIPE ASM-45D W/1HB,2X8,PP,ER	SEE PAGE 4-157
23	511153D1	10	BRKT ASM-STR,LG,1.00IPS,REV U	SEE PAGE 4-158
24	511435D1	2	BRKT ASM-L,LG OFFSET,IPS	SEE PAGE 4-159
25	511436D1	2	PIPE ASM-T W/2 1.00HB,4X10,PP	SEE PAGE 4-160
26	511437D1	2	PIPE ASM-T W/2 1.25HB,8X10,PP	SEE PAGE 4-161
27	511438D1	4	BRKT ASM-L,LG,STAUFF,1.25P CTR	SEE PAGE 4-162
28	511439D1	1	PIPE ASM-90D W/1.25HB,7X10,RH	SEE PAGE 4-163
29	511440D1	1	PIPE ASM-90D W/1.25HB,7X10,LH	SEE PAGE 4-164
30	511441D1	1	PIPE ASM-90D W/1.25HB,5X10,RH	SEE PAGE 4-165
31	511442D1	1	PIPE ASM-90D W/1.25HB,5X10,LH	SEE PAGE 4-166
32	511493D1	2	PIPE ASM-T W/2 1.25HB,11X10,PP	SEE PAGE 4-167
33	511497D1	4	BRKT ASM-L,LG,STAUFF,REV U	SEE PAGE 4-168
34	511689D1	2	BRKT ASM-STR,XLG,STAUFF,LG U	SEE PAGE 4-169
35	511765D1	9	BRKT ASM-STR,LG,1.00IPS,STD U	SEE PAGE 4-170



509724D1-02-R506-.TIF

SYS INSTL-PLMB,1.50,90X5,RTRY

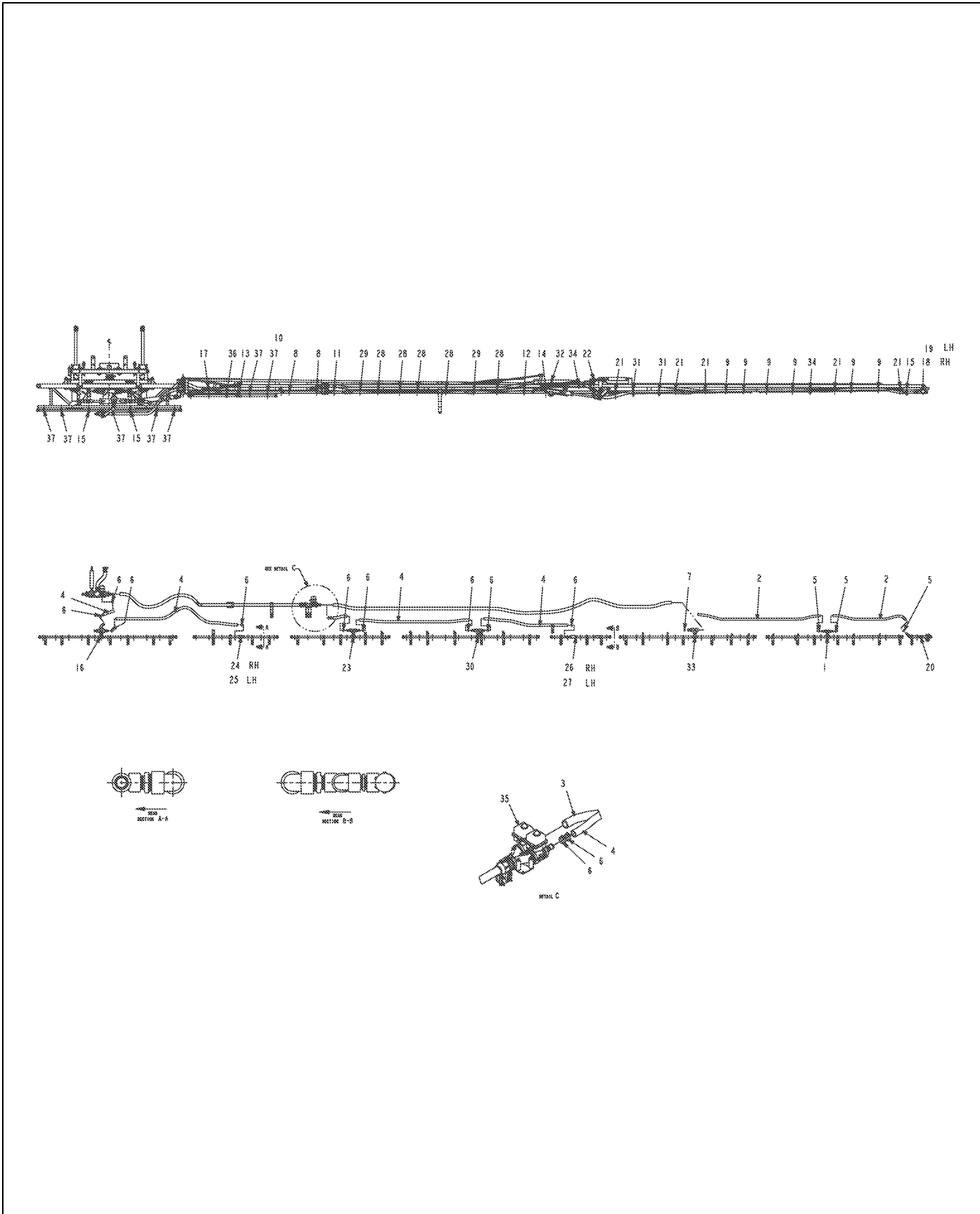
ITEM	PART #	QTY	DESCRIPTION	COMMENTS
1	AG000766	2	BARB-HOSE,1.50MNTTX1.50BARB,PP	
2	AG000772	4	GASKET 1.50 EPDM	
3	AG000773	2	GASKET 2.00 EPDM	
4	AG050266	2	COUPLG RED 1.50X 2.00NPT POLYP	
5	AG051888	2	ELBOW 45D 1.50 304SS	
6	AG056289	4	CONNECTOR 2.00FLGX1.25HOSE	
7	AG056785	4	CLAMP 2.00 FLANGE	
8	AG121882	2	MANIFOLD ASM-Y,1.00FP FLG,ELEC	SEE PAGE 2-2
9	AG129187	AR	PIPE SEALANT-FLEX BLACK	
10	AG135097	2	TUBE-SECTION FEED,1.50,77.00	
11	AG231204	4	BOLT-U .31-18X1.88X2.63	
12	AG512230	-	HOSE 1.50 2BRD EPDM [BULK: 12.500 FT]	
13	AG516403	16	NUT 0.31-18NC HEX SS REG NY	
14	AG522893	2	CONNECTOR-2.00FLGX2.00NPT	
15	AG522895	2	CLAMP-WORM SCREW,2.00,SS	
16	AG561231	8	CLAMP 1.06-2.00 HOSE 24HS	
17	AG562074	24	WASHER 0.31 FL SS REG TYPE-B	
18	AG708300	8	BOLT 0.31-18NCX 3.50 SS HHD	
19	509725D1	2	BRKT WLDMT-MTG,Y MANF,BM PLMB	
20	520583D1	1	HARN INSTL-ELEC BM SECT,90/100	



509899D1-01-N649-.TIF

OPT-PP PLMB,90X5X20,OFF,RTRY

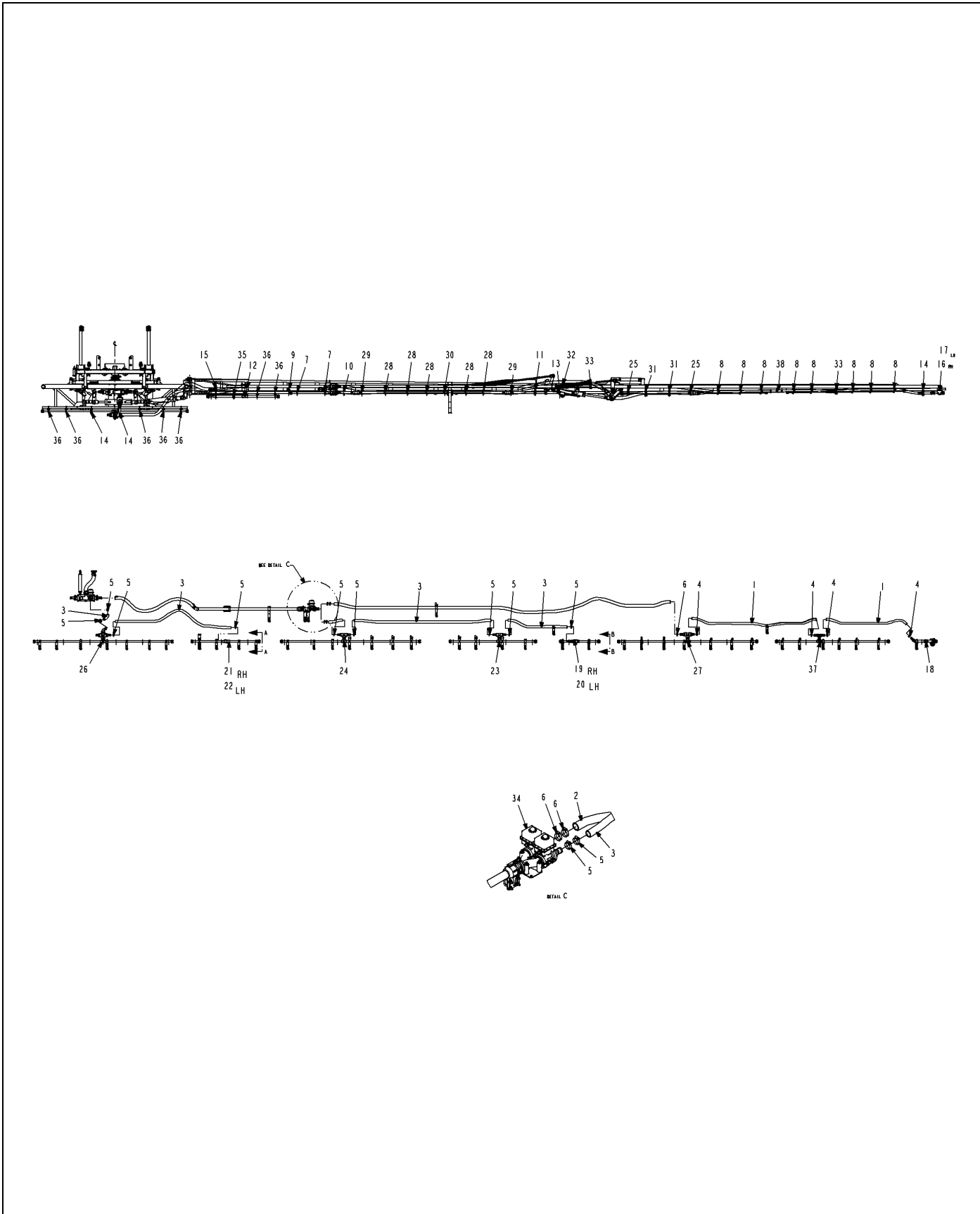
ITEM	PART #	QTY	DESCRIPTION	COMMENTS
1	AG122521	2	BRKT ASM-STR,SH,IPS CLP	SEE PAGE 4-93
2	AG511528	-	HOSE 1.00 2BRD EPDM [BULK: 16.834 FT]	
3	AG513393	-	HOSE 1.25 2BRD EPDM [BULK: 88 FT]	
4	AG561213	8	CLAMP 0.81-1.50 HOSE 16HS	
5	AG561230	26	CLAMP 0.81-1.75 HOSE 20HS	
6	509724D1	1	SYS INSTL-PLMB,1.50,90X5,RTRY	SEE PAGE 4-11
7	509887D1	4	BRKT ASM-Z,SH,1.00IPS	SEE PAGE 4-142
8	509888D1	6	BRKT ASM-STR,LG,1.00IPS,PCLP	SEE PAGE 4-143
9	509889D1	10	BRKT ASM-Z,LG,2IPS/PCLP	SEE PAGE 4-144
10	509890D1	4	BRKT ASM-Z,LG,LWR IPS/PCLP	SEE PAGE 4-145
11	509891D1	2	BRKT ASM-Z,LG,2X1.25 PCLP	SEE PAGE 4-171
12	509892D1	2	BRKT ASM-Z,LG,1.50 STAUFF	SEE PAGE 4-146
13	509893D1	2	BRKT ASM-Z,PP STAUFF	SEE PAGE 4-147
14	509894D1	2	BRKT ASM-Z,PP STAUFF,LWR PCLP	SEE PAGE 4-148
15	509896D1	2	BRKT ASM-Z,SIDE MTG,1.50STAUFF	SEE PAGE 4-149
16	509953D1	2	BRKT ASM-STR,SH,PCLP	SEE PAGE 4-150
17	509955D1	4	BRKT ASM-L,LG,PP STAUFF	SEE PAGE 4-151
18	509956D1	2	BRKT ASM-L,LG,STAUFF,LWR PCLP	SEE PAGE 4-152
19	509959D1	2	BRKT ASM-L/STR,IPS/1.50 STAUFF	SEE PAGE 4-154
20	509960D1	1	BRKT ASM-L,ENDROW,IPS,RH	SEE PAGE 4-155
21	509961D1	1	BRKT ASM-L,ENDROW,IPS,LH	SEE PAGE 4-156
22	509999D1	2	PIPE ASM-45D W/1HB,2X8,PP,ER	SEE PAGE 4-157
23	511036D1	1	PIPE ASM-90D W/1.25HB,2X20,RH	SEE PAGE 4-172
24	511037D1	1	PIPE ASM-90D W/1.25HB,2X20,LH	SEE PAGE 4-173
25	511038D1	1	PIPE ASM-90D W/1.25HB,3X20,RH	SEE PAGE 4-174
26	511039D1	1	PIPE ASM-90D W/1.25HB,3X20,LH	SEE PAGE 4-175
27	511040D1	2	PIPE ASM-T W/2 1.25HB,4X20,PP	SEE PAGE 4-176
28	511041D1	2	PIPE ASM-T W/2 1.25HB,6X20,PP	SEE PAGE 4-177
29	511153D1	4	BRKT ASM-STR,LG,1.00IPS,REV U	SEE PAGE 4-158
30	511154D1	1	PIPE ASM-X W3 1.25HB,6X20,PP	SEE PAGE 4-178
31	511438D1	4	BRKT ASM-L,LG,STAUFF,1.25P CTR	SEE PAGE 4-162
32	511497D1	4	BRKT ASM-L,LG,STAUFF,REV U	SEE PAGE 4-168
33	511689D1	2	BRKT ASM-STR,XLG,STAUFF,LG U	SEE PAGE 4-169
34	511765D1	9	BRKT ASM-STR,LG,1.00IPS,STD U	SEE PAGE 4-170
35	513816D1	2	PIPE ASM-T W/1.25/1HB,5X20,PP	SEE PAGE 4-179
36	513817D1	2	PIPE ASM-T RED W/2 1HB,3X20,PP	SEE PAGE 4-180



509900D1-02-N854-.TIF

SYS INSTL-PLMB,1.50,100X5,RTRY

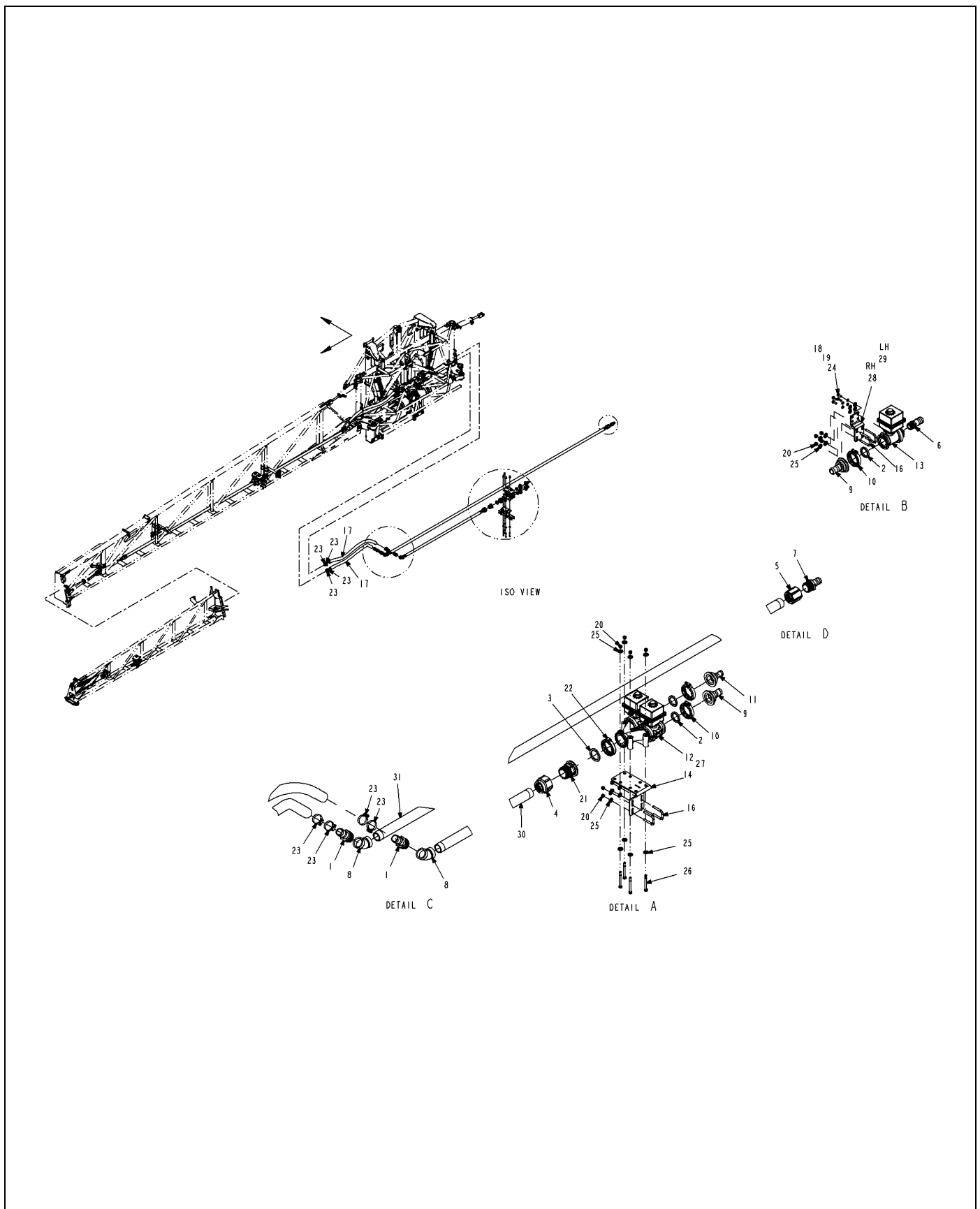
ITEM	PART #	QTY	DESCRIPTION	COMMENTS
1	AG134649	2	PIPE ASM-T W/2 1.00HB,11X10,PP	SEE PAGE 4-181
2	AG511528	-	HOSE 1.00 2BRD EPDM [BULK: 25.667 FT]	
3	AG512230	-	HOSE 1.50 2BRD EPDM [BULK: 44.167 FT]	
4	AG513393	-	HOSE 1.25 2BRD EPDM [BULK: 44.750 FT]	
5	AG561213	8	CLAMP 0.81-1.50 HOSE 16HS	
6	AG561230	20	CLAMP 0.81-1.75 HOSE 20HS	
8	509887D1	4	BRKT ASM-Z,SH,1.00IPS	SEE PAGE 4-142
9	509888D1	12	BRKT ASM-STR,LG,1.00IPS,PCLP	SEE PAGE 4-143
10	509892D1	2	BRKT ASM-Z,LG,1.50 STAUFF	SEE PAGE 4-146
11	509893D1	2	BRKT ASM-Z,PP STAUFF	SEE PAGE 4-147
12	509894D1	2	BRKT ASM-Z,PP STAUFF,LWR PCLP	SEE PAGE 4-148
13	509896D1	2	BRKT ASM-Z,SIDE MTG,1.50STAUFF	SEE PAGE 4-149
14	509953D1	2	BRKT ASM-STR,SH,PCLP	SEE PAGE 4-150
15	509955D1	4	BRKT ASM-L,LG,PP STAUFF	SEE PAGE 4-151
16	509957D1	1	PIPE ASM-X W/3 1.25HB,11X10,PP	SEE PAGE 4-153
17	509959D1	2	BRKT ASM-L/STR,IPS/1.50 STAUFF	SEE PAGE 4-154
18	509960D1	1	BRKT ASM-L,ENDROW,IPS,RH	SEE PAGE 4-155
19	509961D1	1	BRKT ASM-L,ENDROW,IPS,LH	SEE PAGE 4-156
20	509999D1	2	PIPE ASM-45D W/1HB,2X8,PP,ER	SEE PAGE 4-157
21	511153D1	10	BRKT ASM-STR,LG,1.00IPS,REV U	SEE PAGE 4-158
22	511435D1	2	BRKT ASM-L,LG OFFSET,IPS	SEE PAGE 4-159
23	511437D1	2	PIPE ASM-T W/2 1.25HB,8X10,PP	SEE PAGE 4-161
24	511439D1	1	PIPE ASM-90D W/1.25HB,7X10,RH	SEE PAGE 4-163
25	511440D1	1	PIPE ASM-90D W/1.25HB,7X10,LH	SEE PAGE 4-164
26	511441D1	1	PIPE ASM-90D W/1.25HB,5X10,RH	SEE PAGE 4-165
27	511442D1	1	PIPE ASM-90D W/1.25HB,5X10,LH	SEE PAGE 4-166
28	511490D1	10	BRKT ASM-Z,LG,IPS/2PCLP	SEE PAGE 4-182
29	511491D1	4	BRKT ASM-Z,LG,IPS/1.50 PCLP	SEE PAGE 4-183
30	511493D1	2	PIPE ASM-T W/2 1.25HB,11X10,PP	SEE PAGE 4-167
31	511494D1	4	BRKT ASM-L,LG,STAUFF,CTR CLP	SEE PAGE 4-184
32	511495D1	2	BRKT ASM-L,LG,STAUFF,1.50 PCLP	SEE PAGE 4-185
33	511496D1	2	PIPE ASM-T W/1.5/1HB,11X10,PP	SEE PAGE 4-186
34	511497D1	4	BRKT ASM-L,LG,STAUFF,REV U	SEE PAGE 4-168
35	511498D1	1	SYS INSTL-PLMB,1.50,100X5,RTRY	SEE PAGE 2-5
36	511689D1	2	BRKT ASM-STR,XLG,STAUFF,LG U	SEE PAGE 4-169
37	511765D1	9	BRKT ASM-STR,LG,1.00IPS,STD U	SEE PAGE 4-170



509901D1-02-R506-.TIF

OPT-PP PLMB,100X5X20,OFF,RTRY

ITEM	PART #	QTY	DESCRIPTION	COMMENTS
1	AG511528	-	HOSE 1.00 2BRD EPDM [BULK: 26.500 FT]	
2	AG512230	-	HOSE 1.50 2BRD EPDM [BULK: 43.500 FT]	
3	AG513393	-	HOSE 1.25 2BRD EPDM [BULK: 41.077 FT]	
4	AG561213	8	CLAMP 0.81-1.50 HOSE 16HS	
5	AG561230	20	CLAMP 0.81-1.75 HOSE 20HS	
6	AG561231	6	CLAMP 1.06-2.00 HOSE 24HS	
7	509887D1	4	BRKT ASM-Z,SH,1.00IPS	SEE PAGE 4-142
8	509888D1	16	BRKT ASM-STR,LG,1.00IPS,PCLP	SEE PAGE 4-143
9	509892D1	2	BRKT ASM-Z,LG,1.50 STAUFF	SEE PAGE 4-146
10	509893D1	2	BRKT ASM-Z,PP STAUFF	SEE PAGE 4-147
11	509894D1	2	BRKT ASM-Z,PP STAUFF,LWR PCLP	SEE PAGE 4-148
12	509896D1	2	BRKT ASM-Z,SIDE MTG,1.50STAUFF	SEE PAGE 4-149
13	509953D1	2	BRKT ASM-STR,SH,PCLP	SEE PAGE 4-150
14	509955D1	4	BRKT ASM-L,LG,PP STAUFF	SEE PAGE 4-151
15	509959D1	2	BRKT ASM-L/STR,IPS/1.50 STAUFF	SEE PAGE 4-154
16	509960D1	1	BRKT ASM-L,ENDROW,IPS,RH	SEE PAGE 4-155
17	509961D1	1	BRKT ASM-L,ENDROW,IPS,LH	SEE PAGE 4-156
18	509999D1	2	PIPE ASM-45D W/1HB,2X8,PP,ER	SEE PAGE 4-157
19	511036D1	1	PIPE ASM-90D W/1.25HB,2X20,RH	SEE PAGE 4-172
20	511037D1	1	PIPE ASM-90D W/1.25HB,2X20,LH	SEE PAGE 4-173
21	511038D1	1	PIPE ASM-90D W/1.25HB,3X20,RH	SEE PAGE 4-174
22	511039D1	1	PIPE ASM-90D W/1.25HB,3X20,LH	SEE PAGE 4-175
23	511040D1	2	PIPE ASM-T W/2 1.25HB,4X20,PP	SEE PAGE 4-176
24	511041D1	2	PIPE ASM-T W/2 1.25HB,6X20,PP	SEE PAGE 4-177
25	511153D1	4	BRKT ASM-STR,LG,1.00IPS,REV U	SEE PAGE 4-158
26	511154D1	1	PIPE ASM-X W3 1.25HB,6X20,PP	SEE PAGE 4-178
27	511434D1	2	PIPE ASM-T W/ 1.5/1HB,6X20,PP	SEE PAGE 4-187
28	511490D1	10	BRKT ASM-Z,LG,IPS/2PCLP	SEE PAGE 4-182
29	511491D1	4	BRKT ASM-Z,LG,IPS/1.50 PCLP	SEE PAGE 4-183
30	511492D1	2	BRKT ASM-Z,LG,1.25/1.50 PCLP	SEE PAGE 4-188
31	511494D1	4	BRKT ASM-L,LG,STAUFF,CTR CLP	SEE PAGE 4-184
32	511495D1	2	BRKT ASM-L,LG,STAUFF,1.50 PCLP	SEE PAGE 4-185
33	511497D1	4	BRKT ASM-L,LG,STAUFF,REV U	SEE PAGE 4-168
34	511498D1	1	SYS INSTL-PLMB,1.50,100X5,RTRY	SEE PAGE 2-5
35	511689D1	2	BRKT ASM-STR,XLG,STAUFF,LG U	SEE PAGE 4-169
36	511765D1	9	BRKT ASM-STR,LG,1.00IPS,STD U	SEE PAGE 4-170
37	512493D1	2	PIPE ASM-T RED W/2 1HB,5X20,PP	SEE PAGE 4-189
38	520811D1	2	BRKT ASM-STR,SH,1.00PCLP,REV U	



516488D1-03-R393-.TIF

SYS INSTL-PLMB,120X7,ELEC VLV

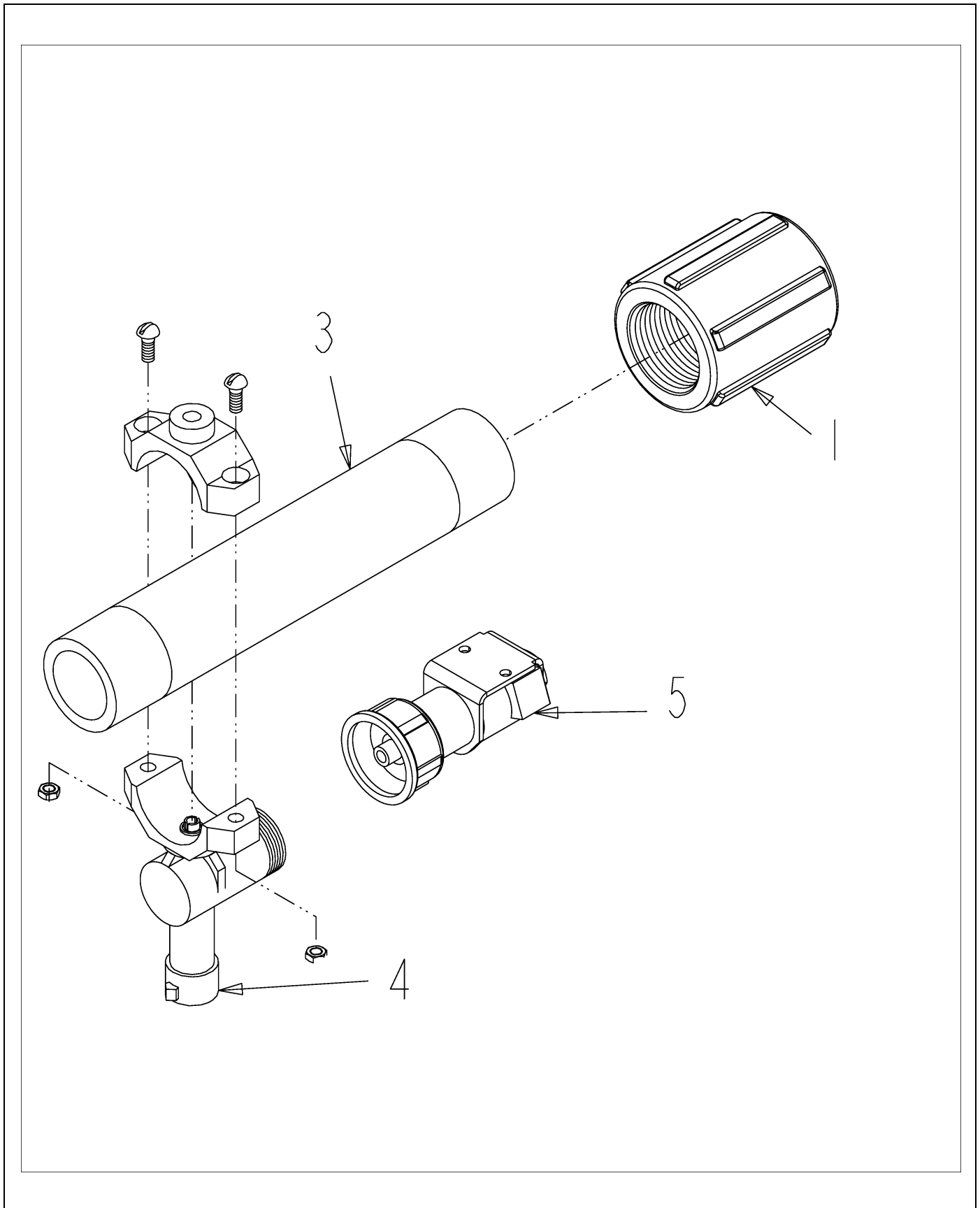
ITEM	PART #	QTY	DESCRIPTION	COMMENTS
1	AG000766	4	BARB-HOSE,1.50MNPTX1.50BARB,PP	
2	AG000772	6	GASKET 1.50 EPDM	
3	AG000773	2	GASKET 2.00 EPDM	
4	AG050266	2	COUPLG RED 1.50X 2.00NPT POLYP	
5	AG050271	2	COUPLING-PIPE,1.50NPT,PP	
6	AG051183	2	BARB-HOSE,1.00MNPTX1.25BARB,PP	
7	AG051534	2	BARB-HOSE,1.50MNPTX1.25BARB,PP	
8	AG051888	4	ELBOW 45D 1.50 304SS	
9	AG056289	4	CONNECTOR 2.00FLGX1.25HOSE	
10	AG056785	6	CLAMP 2.00 FLANGE	
11	AG057593	2	CONNECTOR 2.00X1.00HOSE	
12	AG121882	2	MANIFOLD ASM-Y,1.00FP FLG,ELEC	SEE PAGE 2-2
13	AG121883	2	VALVE-BALL,1.00FP FLGXNPT,ELEC	SEE PAGE 4-3
14	AG122147	2	BRKT WLDMT-MTG,Y MANF,BM PLMB	
15	AG129187	AR	PIPE SEALANT-FLEX BLACK	
16	AG231204	8	BOLT-U .31-18X1.88X2.63	
17	AG512230	-	HOSE 1.50 2BRD EPDM [BULK: 20.667 FT]	
18	AG515121	8	WASHER 0.25 FL SS REG TYPE-B	
19	AG515122	8	WASHER 0.25 LK SS REG	
20	AG516403	24	NUT 0.31-18NC HEX SS REG NY	
21	AG522893	2	CONNECTOR-2.00FLGX2.00NPT	
22	AG522895	2	CLAMP-WORM SCREW,2.00,SS	
23	AG561231	16	CLAMP 1.06-2.00 HOSE 24HS	
24	AG562054	8	BOLT 0.25-20NCX 0.75 SS HHD	
25	AG562074	32	WASHER 0.31 FL SS REG TYPE-B	
26	AG708300	8	BOLT 0.31-18NCX 3.50 SS HHD	
27	505271D1	1	HARNESS INSTL-BSO VLV,7 SECT	SEE PAGE 6-5
28	506452D1	1	BRKT-MTG,KZ VLV,RH	
29	506453D1	1	BRKT-MTG,KZ VLV,LH	
30	506454D1	2	TUBE-SECTION FEED,1.50,85.00	
31	506455D1	2	TUBE-SECTION FEED,1.50,240.00	

OPT-PP PLMB,120X7X20,OFF,RTRY

ITEM	PART #	QTY	DESCRIPTION	COMMENTS
1	AG122521	2	BRKT ASM-STR,SH,IPS CLP	SEE PAGE 4-93
6	AG562496	AR	TIE CABLE 15.0 .18-4.00 BLACK	
7	506720D1	100	SLEEVE-PROTECTIVE,NYLON,-48	
8	506726D1	4	BRKT ASM-L,1.50 STAUFF,STD U	SEE PAGE 4-105
9	506727D1	4	BRKT ASM-L,1.50 STAUFF,P,LG U	SEE PAGE 4-106
13	508671D1	2	BRKT ASM-L,REV,1.00PP STAUFF	SEE PAGE 4-119
14	509887D1	10	BRKT ASM-Z,SH,1.00IPS	SEE PAGE 4-142
15	509892D1	2	BRKT ASM-Z,LG,1.50 STAUFF	SEE PAGE 4-146
16	509893D1	4	BRKT ASM-Z,PP STAUFF	SEE PAGE 4-147
17	509894D1	2	BRKT ASM-Z,PP STAUFF,LWR PCLP	SEE PAGE 4-148
18	509895D1	2	BRKT ASM-L,LG,STAUFF,CTR CLP	SEE PAGE 4-198
19	509896D1	2	BRKT ASM-Z,SIDE MTG,1.50STAUFF	SEE PAGE 4-149
20	509958D1	2	BRKT ASM-L,LG,IPS,LG U	SEE PAGE 4-199
21	509959D1	2	BRKT ASM-L/STR,IPS/1.50 STAUFF	SEE PAGE 4-154
22	511497D1	2	BRKT ASM-L,LG,STAUFF,REV U	SEE PAGE 4-168
26	511601D1	10	BRKT ASM-L,1.50 STAUFF,PCLP	SEE PAGE 4-209
27	511602D1	2	BRKT ASM-L,LG,STAUFF,PCLP,1.O	SEE PAGE 4-210
28	511603D1	2	BRKT ASM-L,LG,STAUFF,REV 1.00U	SEE PAGE 4-211
29	511604D1	4	BRKT ASM-STR,LG,IPS,REV 1.00U	SEE PAGE 4-212
30	511605D1	10	BRKT ASM-STR,LG,IPS/PCLP,1.00U	SEE PAGE 4-213
31	511617D1	14	BRKT ASM-Z,LG,2XIPS	SEE PAGE 4-214
32	511624D1	4	BRKT ASM-STR,XLG,IPS,2XPCLP	SEE PAGE 4-215
33	511675D1	2	BRKT ASM-STR,LG,IPS,1.25 PCLP	SEE PAGE 4-217
34	511688D1	6	BRKT ASM-STR,XLG,IPS,PCLP	SEE PAGE 4-218
35	511689D1	2	BRKT ASM-STR,XLG,STAUFF,LG U	SEE PAGE 4-169
36	511765D1	4	BRKT ASM-STR,LG,1.00IPS,STD U	SEE PAGE 4-170
44	520626D1	6	BRKT ASM-STR,SH,1.00/1.25 PCLP	SEE PAGE 4-235
45	520634D1	2	BRKT ASM-STR,SH,IPS/1.00 PCLP	SEE PAGE 4-236

OPT-PP PLMB,120X7X20,OFF,RTRY

ITEM	PART #	QTY	DESCRIPTION	COMMENTS
2	AG511528	-	HOSE 1.00 2BRD EPDM [BULK: 99.667 FT]	
3	AG513393	-	HOSE 1.25 2BRD EPDM [BULK: 53.750 FT]	
4	AG561213	28	CLAMP 0.81-1.50 HOSE 16HS	
5	AG561230	20	CLAMP 0.81-1.75 HOSE 20HS	
10	506743D1	2	PIPE ASM-T W/2 1.00HB,3X20,PP	SEE PAGE 4-131
11	506744D1	1	PIPE ASM-90D W/1HB,3X20,PP,RH	SEE PAGE 4-132
12	506745D1	1	PIPE ASM-90D W/1HB,3X20,PP,LH	SEE PAGE 4-133
23	511589D1	1	SYS INSTL-PLMB,1.50,120X7,RTRY	SEE PAGE 4-202
24	511597D1	1	PIPE ASM-T W/1.25/1HB,5X20,RH	SEE PAGE 4-207
25	511598D1	1	PIPE ASM-T W/1.25/1HB,5X20,LH	SEE PAGE 4-208
37	511820D1	2	PIPE ASM-W/2 1.00HB,102.00,PP	SEE PAGE 4-220
38	511822D1	2	PIPE ASM-90D W/1.00HB,7X20,PP	SEE PAGE 4-221
39	512412D1	1	PIPE ASM-90D W/1HB,3X20,PP,RH	SEE PAGE 4-222
40	512413D1	1	PIPE ASM-90D W/1HB,3X20,PP,LH	SEE PAGE 4-223
41	512414D1	2	PIPE ASM-T W/2 1.00HB,6X20,PP	SEE PAGE 4-224
42	520487D1	1	PIPE ASM-X W/3 1.00HB,6X20,PP	SEE PAGE 4-227
43	520488D1	2	PIPE ASM-90D W/1.00HB,6X20,PP	SEE PAGE 4-228

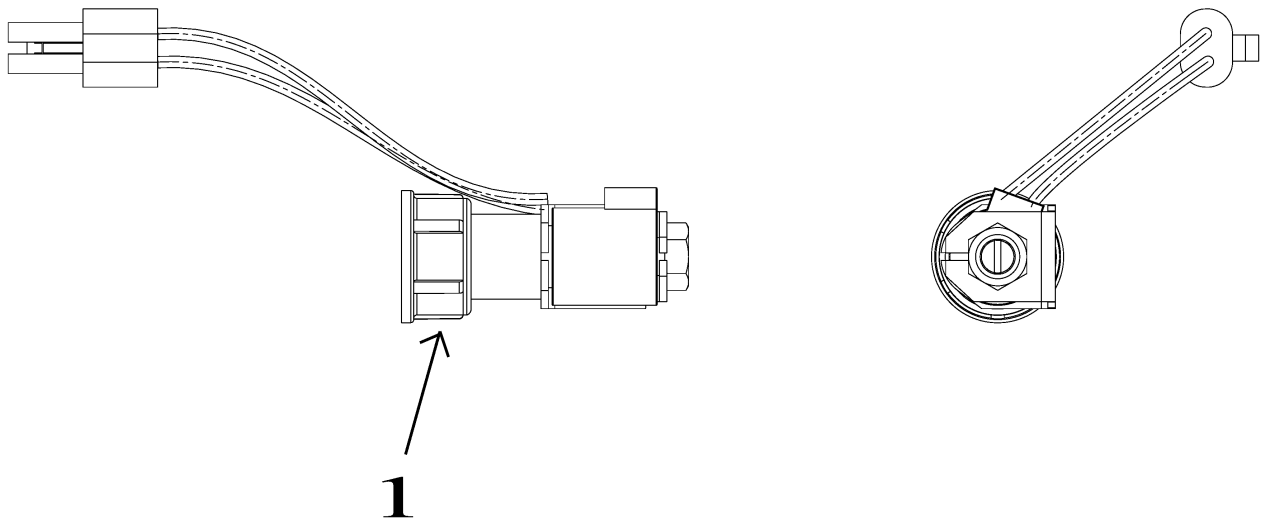


134668-02-N069-.TIF

PIPE ASM-ENDROW,ELEC,10/20,PP

ITEM	PART #	QTY	DESCRIPTION	COMMENTS
1	AG051131	1	COUPLING-PIPE,1.00NPT,PP	
2	AG129187	AR	PIPE SEALANT-FLEX BLACK	
3	AG134603	1	TUBE-BOOM,PP,10,7.13	
4	AG519561	1	NOZ HLDR-SGL 1.00 IPS	SEE PAGE 4-34
5	508196D1	1	VALVE-SOL,NOZ BODY,ARAG,150PSI	SEE PAGE 4-21

VALVE-SOL,NOZ BODY,ARAG,150PSI

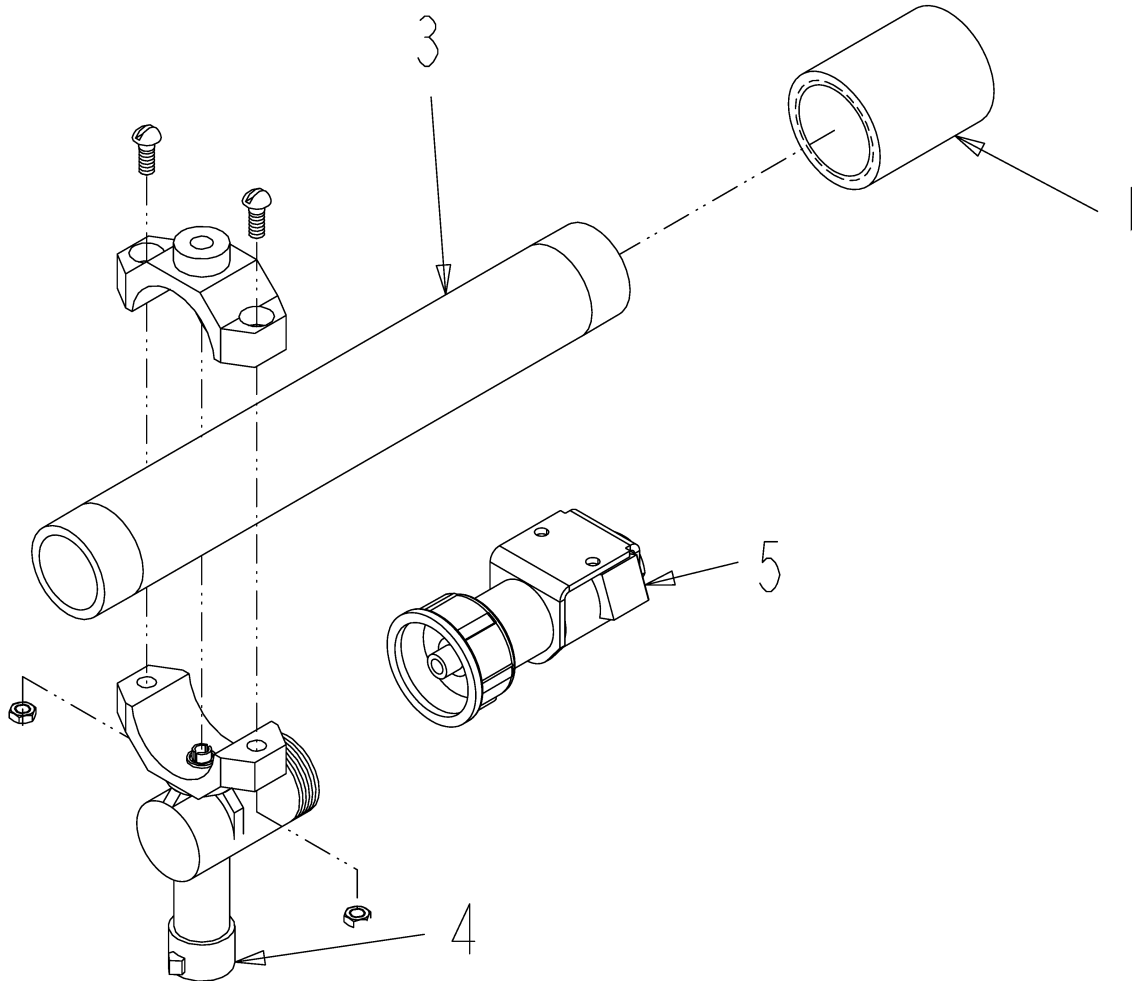


508196D1-01-N069-.TIF

VALVE-SOL,NOZ BODY,ARAG,150PSI

ITEM	PART #	QTY	DESCRIPTION	COMMENTS
1	508197D1	-	PARTS-SERV,NOZ VALV,(508196D1)	SEE PAGE 11-16

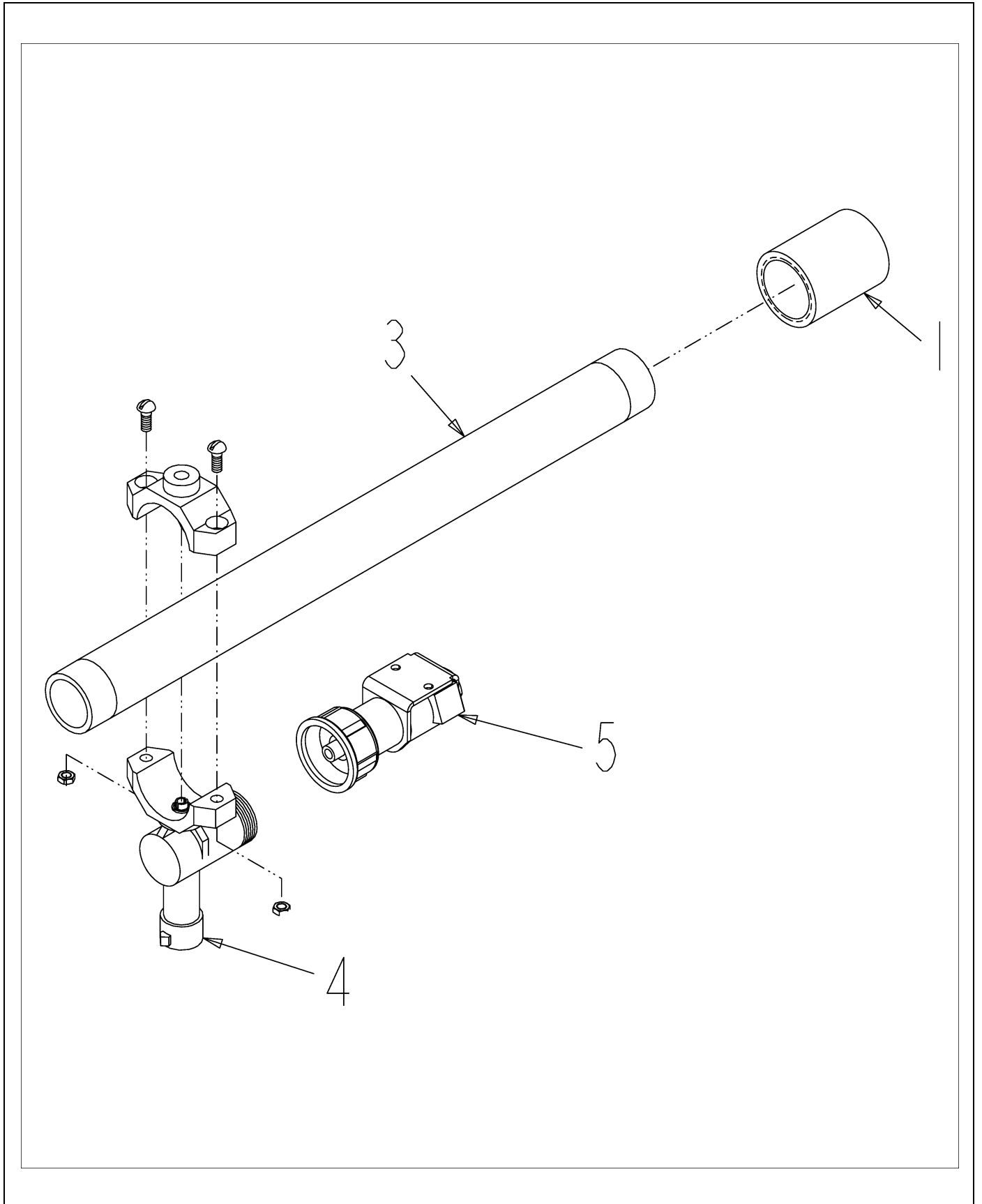
PIPE ASM-ENDROW,ELEC,10/20,SS



134669-02-N069-.tif

PIPE ASM-ENDROW,ELEC,10/20,SS

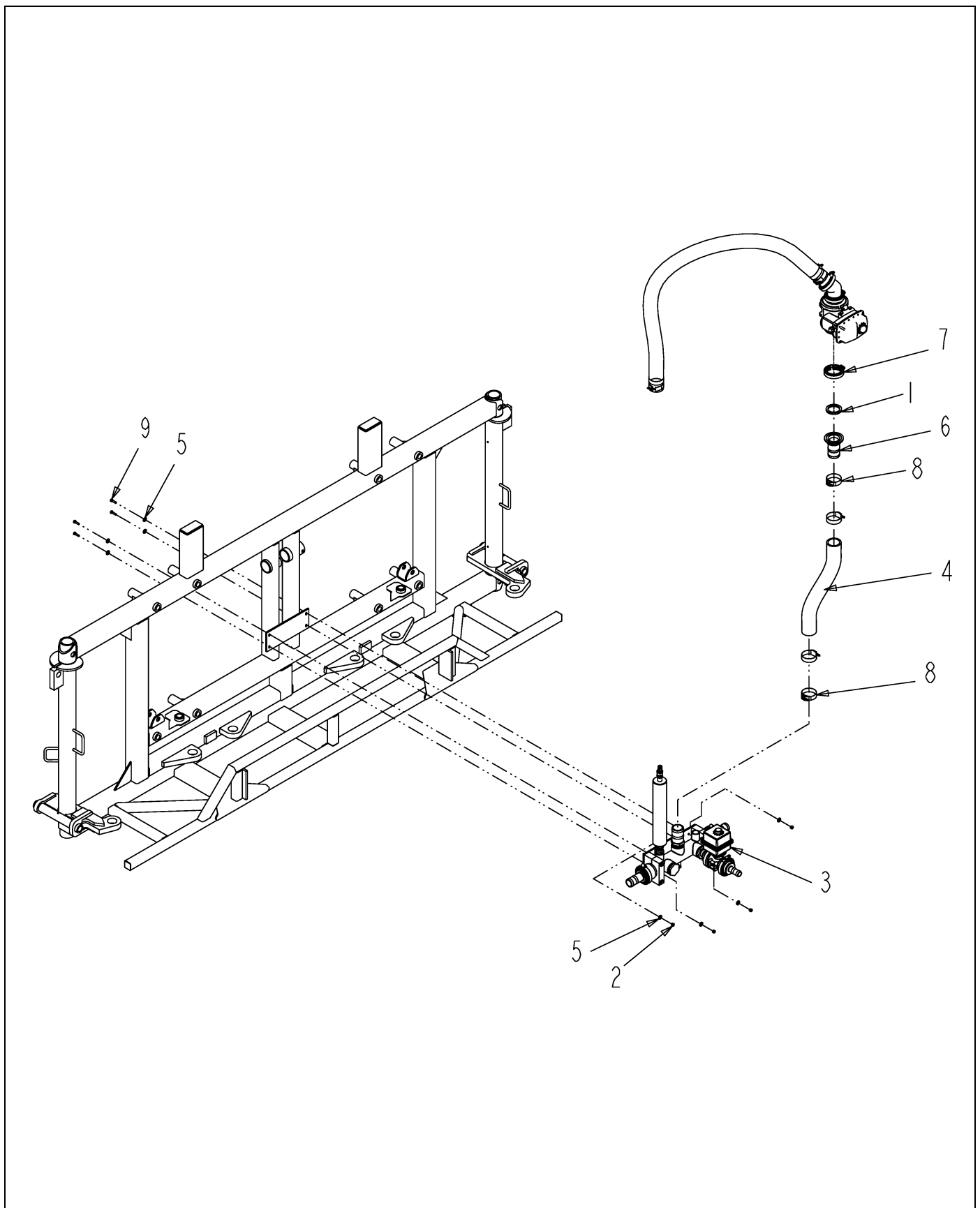
ITEM	PART #	QTY	DESCRIPTION	COMMENTS
1	AG051940	1	COUPLING 0.75 304SS	
2	AG129187	AR	PIPE SEALANT-FLEX BLACK	
3	AG134753	1	TUBE-BOOM,SS,10,7.50	
4	AG518660	1	SINGLE NOZZLE HOLDER-.75 PIPE	SEE PAGE 4-35
5	508196D1	1	VALVE-SOL,NOZ BODY,ARAG,150PSI	SEE PAGE 4-21



134604-02-N069.TIF

PIPE ASM-ENDROW,ELEC,15,SS

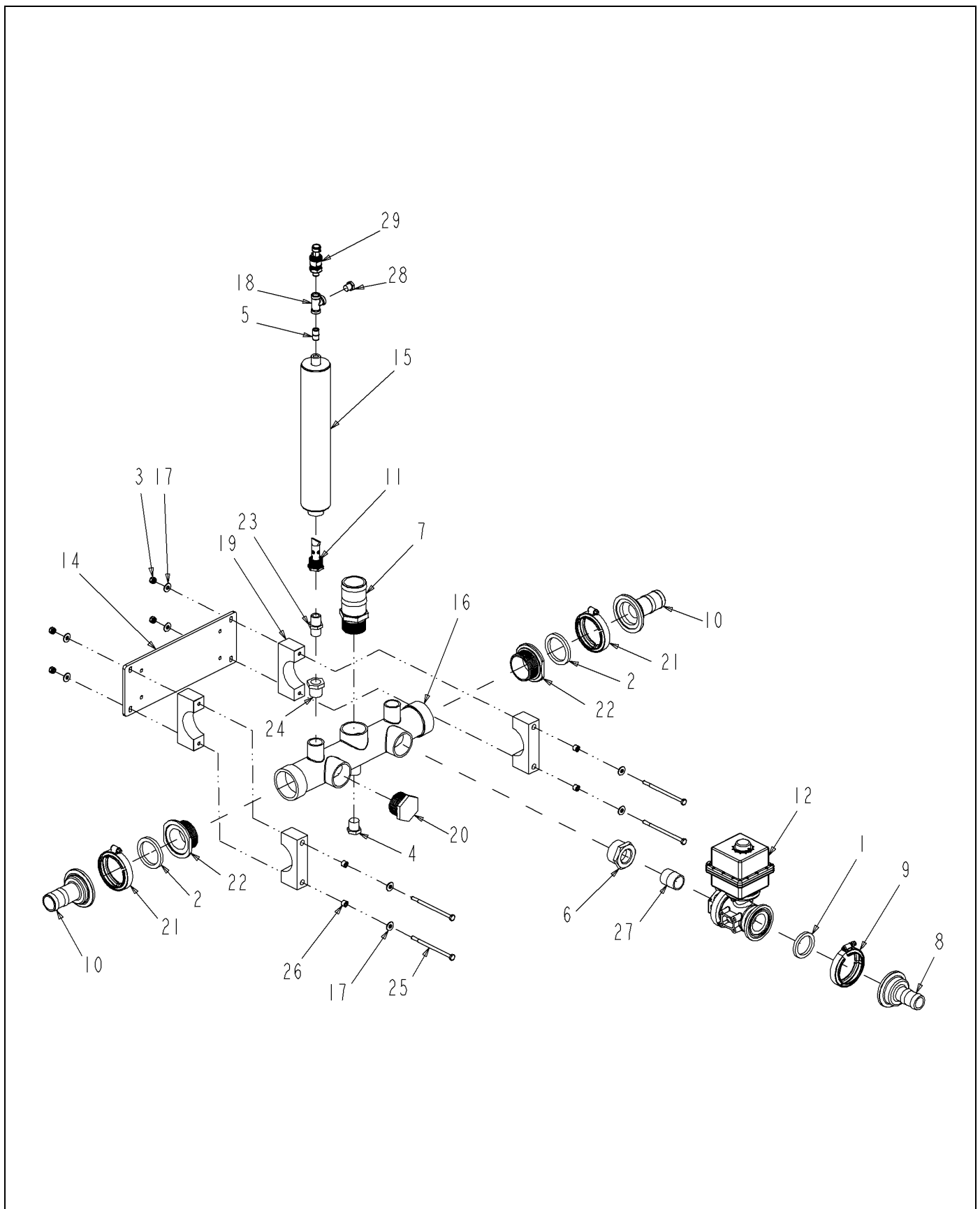
ITEM	PART #	QTY	DESCRIPTION	COMMENTS
1	AG051940	1	COUPLING 0.75 304SS	
2	AG129187	AR	PIPE SEALANT-FLEX BLACK	
3	AG134849	1	TUBE-BOOM,SS,10,7.50	
4	AG518660	1	SINGLE NOZZLE HOLDER-.75 PIPE	SEE PAGE 4-35
5	508196D1	1	VALVE-SOL,NOZ BODY,ARAG,150PSI	SEE PAGE 4-21



135070-01-N291-.TIF

MANF INSTL-HV,1.50,STD BM PLMB

ITEM	PART #	QTY	DESCRIPTION	COMMENTS
1	AG000773	1	GASKET 2.00 EPDM	
2	AG027275	4	NUT 0.25-20NC HEX SS REG NY	
3	AG135071	1	MANF ASM-HV,1.50HB,STD BM PLMB	SEE PAGE 4-25
4	AG511722	-	HOSE-2.00,WIRE BRAID,EPDM [BULK: 1.667 FT]	
5	AG515121	8	WASHER 0.25 FL SS REG TYPE-B	
6	AG522894	1	CONN-2.00 FLG X2.00 HOSE BARB	
7	AG522895	1	CLAMP-WORM SCREW,2.00,SS	
8	AG561630	4	CLAMP 2.28-2.59HOSE VOSS-250SS	
9	AG562064	4	BOLT 0.25-20NCX 1.00 SS HHD	

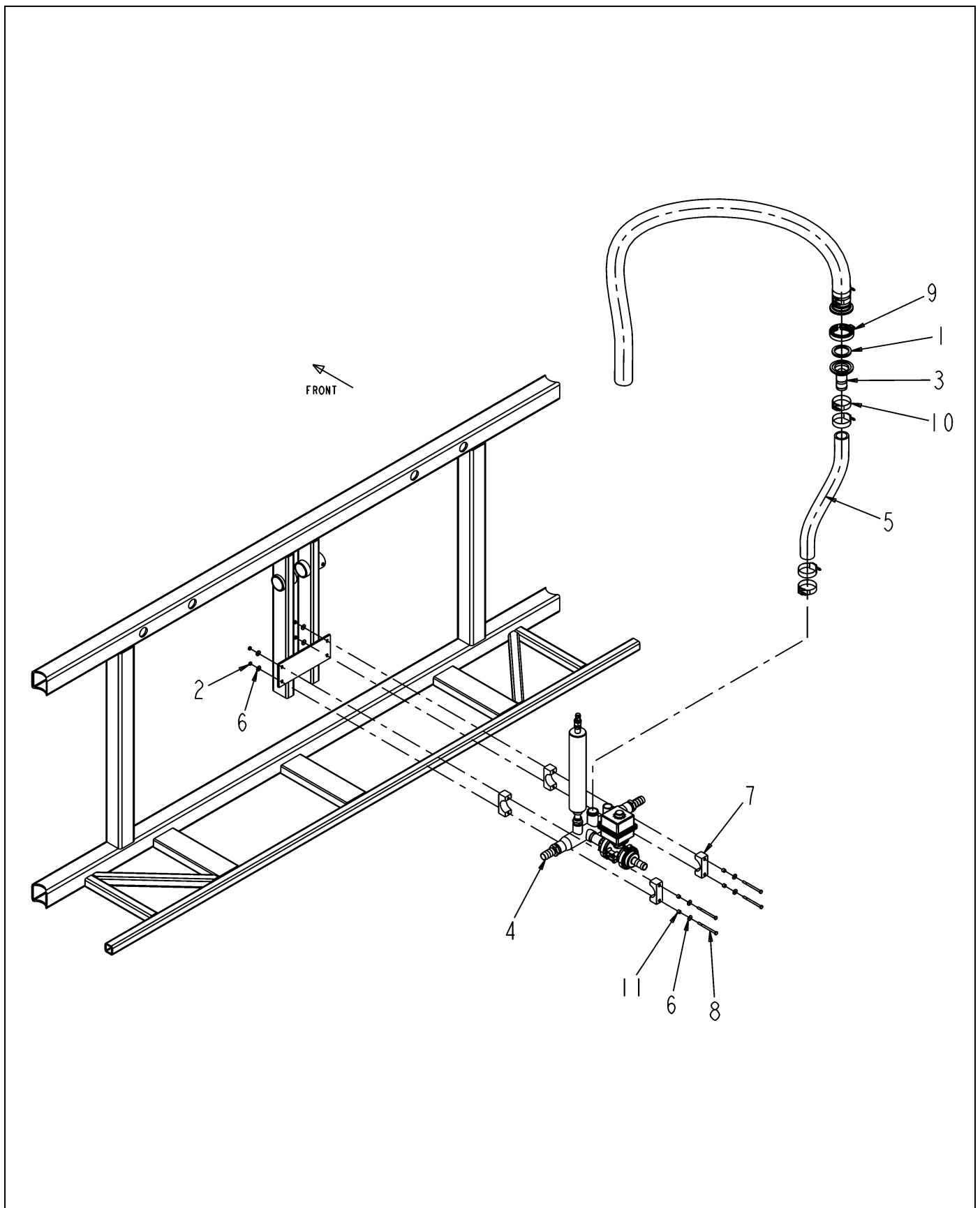


135071-04-R506-.TIF

MANF ASM-HV,1.50HB,STD BM PLMB

ITEM	PART #	QTY	DESCRIPTION	COMMENTS
1	AG000772	1	GASKET 1.50 EPDM	
2	AG000773	1	GASKET 2.00 EPDM	
3	AG027275	4	NUT 0.25-20NC HEX SS REG NY	
4	AG051133	1	PLUG-PIPE,HEX,0.50NPT,PP	
5	AG051740	1	NIPPLE 0.25NPTX 0.87CLS 304SS	
6	AG051894	1	BUSHING 1.50X1.00 304SS	
7	AG052456	1	BARB-HOSE,1.50MNPTX2.00BARB,PP	
8	AG056289	1	CONNECTOR 2.00FLGX1.25HOSE	
9	AG056785	1	CLAMP 2.00 FLANGE	
10	AG057594	2	CONNECTOR 2.00FPX1.50HOSE	
11	AG106152	1	WLDMT TUBE DIFFUSER	
12	AG121883	1	VALVE-BALL,1.00FP FLGXNPT,ELEC	SEE PAGE 4-3
13	AG129187	AR	PIPE SEALANT-FLEX BLACK	
14	AG260508	1	PLATE-MTG,MANIFOLD,HV	
15	AG311914	1	WLDMT ACCUMULATOR	
16	AG326175	1	MANIFOLD WLDMT-HV BOOM CTR,THD	
17	AG515121	8	WASHER 0.25 FL SS REG TYPE-B	
18	AG517855	1	TEE 0.25 NPT FEMALE SS	
19	AG518340	2	CLAMP 2.50 BLACK POLY (RTG)	
20	AG522149	1	PLUG-PIPE,HEX,1.50NPT,PP	
21	AG522895	2	CLAMP-WORM SCREW,2.00,SS	
22	AG523524	2	ADPTR-2.0FLG,FPX2.0MPT,316SS	
23	AG553492	1	NIPPLE .50NPT X 1.12CLS WR ST	
24	AG556424	1	BUSHG 0.75X 0.50NPT HX REDG PL	
25	AG563069	4	BOLT 0.25-20NCX 4.50 SS HHD	
26	AG609777	4	INSERT STAUFF SPACER	
27	AG710516	1	NIPPLE 1.00NPTX 1.50CLS 304SS	
28	AG710638	1	PLUG-PIPE,HEX,0.25NPT,304SS	
29	517405D1	1	TRANSDUCER-PRES,150 PSI, (MV)	

MANIFOLD INSTL-STD,BALL VALVE

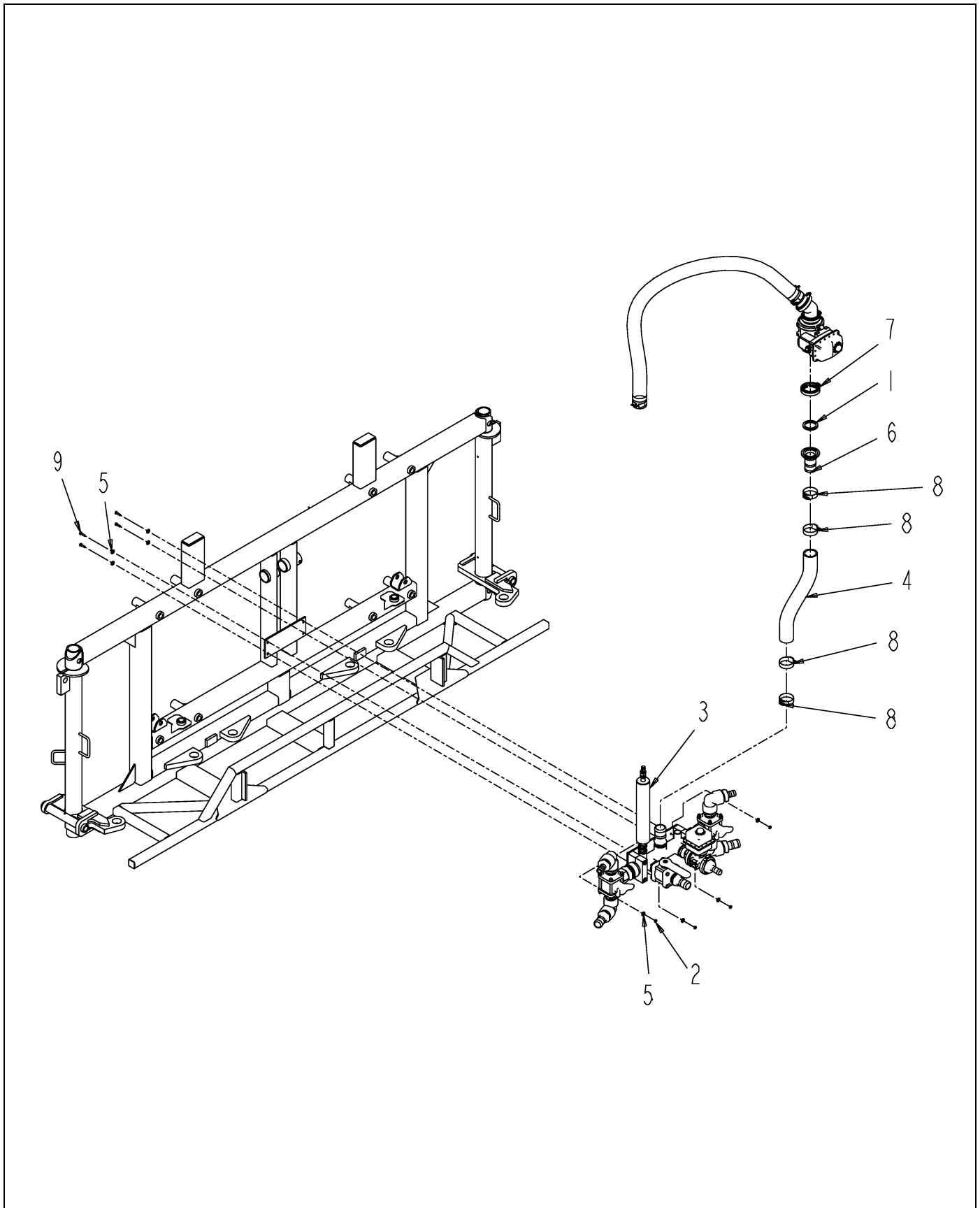


327801.TIF

MANIFOLD INSTL-STD,BALL VALVE

ITEM	PART #	QTY	DESCRIPTION	COMMENTS
1	AG000773	1	GASKET 2.00 EPDM	
2	AG027275	4	NUT 0.25-20NC HEX SS REG NY	
3	AG057594	1	CONNECTOR 2.00FPX1.50HOSE	
4	AG424522	1	MANF ASM-BOOM,W/BALL VLV,STD	SEE PAGE 2-1
5	AG513466	-	HOSE-1.50,LIQ PROD.SUC & DIS [BULK: 1.667 FT]	
6	AG515121	8	WASHER 0.25 FL SS REG TYPE-B	
7	AG518339	2	CLAMP 2.00 BLACK POLY (RTG)	
8	AG518507	4	BOLT 0.25-20NCX 3.50 SS HHD	
9	AG522895	1	CLAMP-WORM SCREW,2.00,SS	
10	AG561538	4	CLAMP 1.78-2.09HOSE VOSS-200SS	
11	AG609777	4	INSERT STAUFF SPACER	

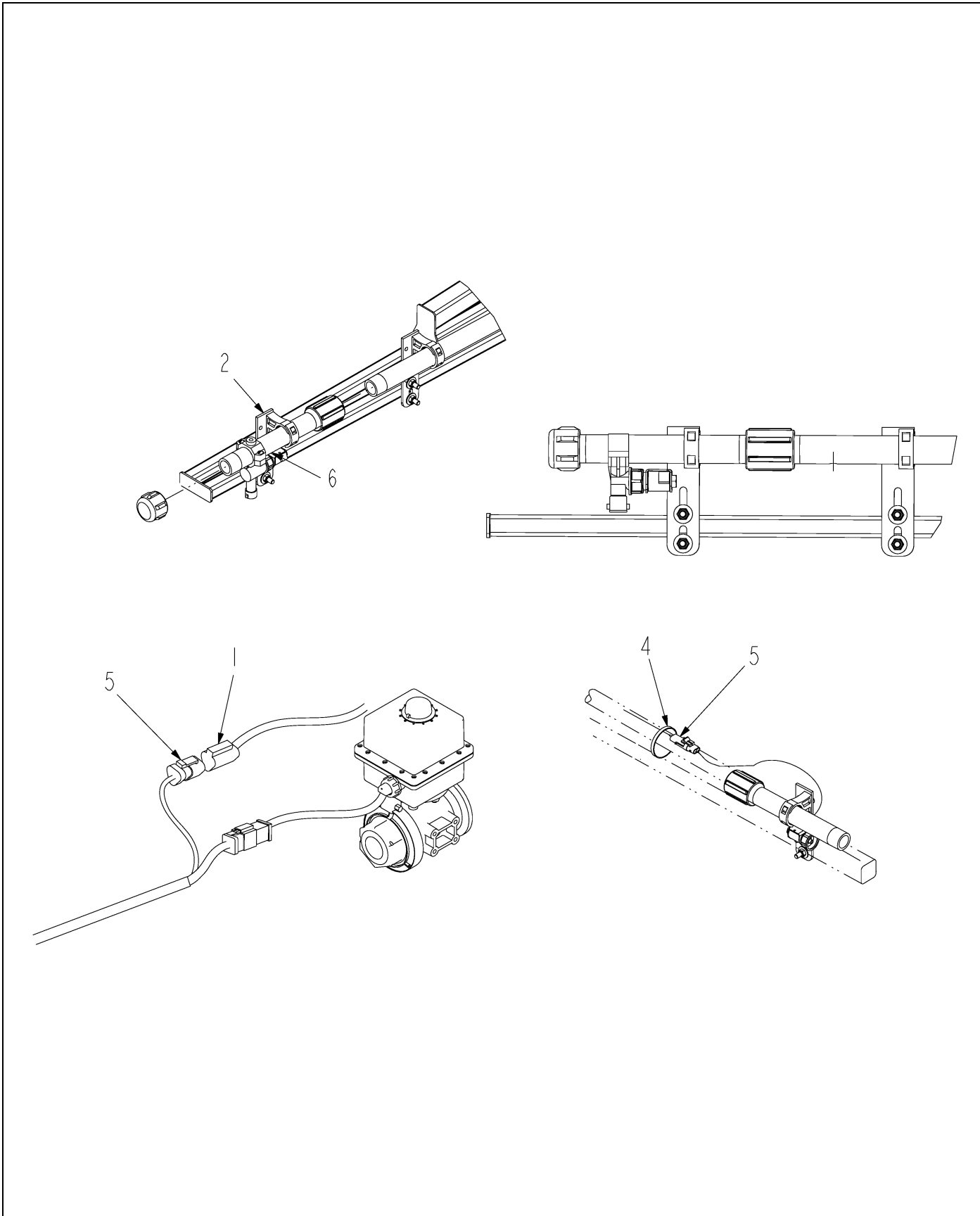
MANIFOLD INSTL-HV,BALL VALVE



327855-A.tif

MANIFOLD INSTL-HV,BALL VALVE

ITEM	PART #	QTY	DESCRIPTION	COMMENTS
1	AG000773	1	GASKET 2.00 EPDM	
2	AG027275	4	NUT 0.25-20NC HEX SS REG NY	
3	AG424524	1	MANF ASM-BOOM,W/BALL VLV,HV	SEE PAGE 2-3
4	AG511722	-	HOSE-2.00,WIRE BRAID,EPDM [BULK: 1.750 FT]	
5	AG515121	8	WASHER 0.25 FL SS REG TYPE-B	
6	AG522894	1	CONN-2.00 FLG X2.00 HOSE BARB	
7	AG522895	1	CLAMP-WORM SCREW,2.00,SS	
8	AG561630	4	CLAMP 2.28-2.59HOSE VOSS-250SS	
9	AG562064	4	BOLT 0.25-20NCX 1.00 SS HHD	

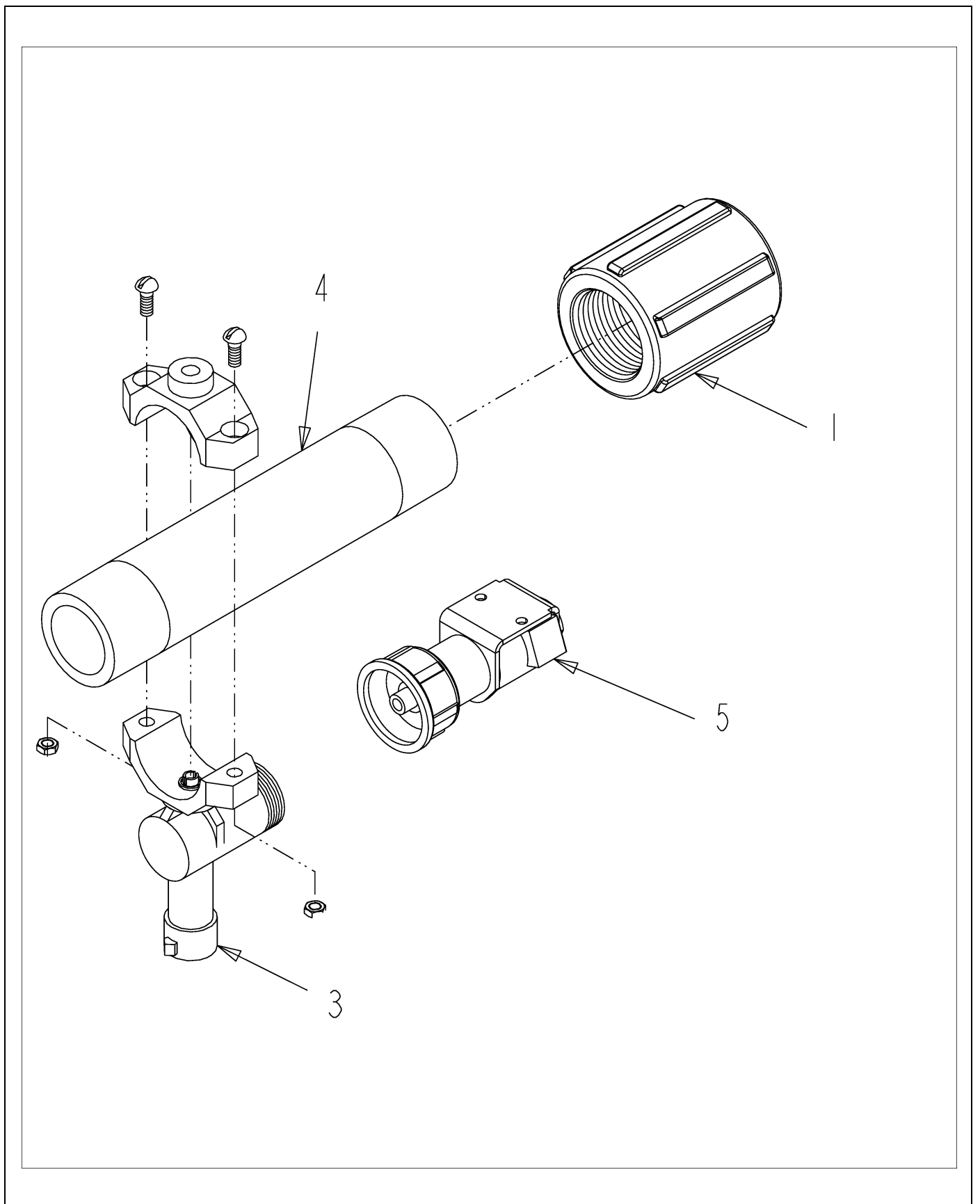


506872D1-02-N172-.TIF

NOZ INSTL-FENCE ROW, RG, 120FT

ITEM	PART #	QTY	DESCRIPTION	COMMENTS
1	AG122657	2	HARNES-END ROW	
2	WR129086	2	BRKT ASM-STR,SH,IPS CLP,1.00U	SEE PAGE 4-98
3	AG129187	AR	PIPE SEALANT-FLEX BLACK	
4	AG553557	AR	TIE CABLE 7.37 .06-1.37 BLACK	
5	505270D1	-	HARNES-BSO VLV,7 SECT	
6	506873D1	2	PIPE ASM-.5X10,PP,ENDROW	SEE PAGE 4-29

PIPE ASM-.5X10,PP,ENDROW

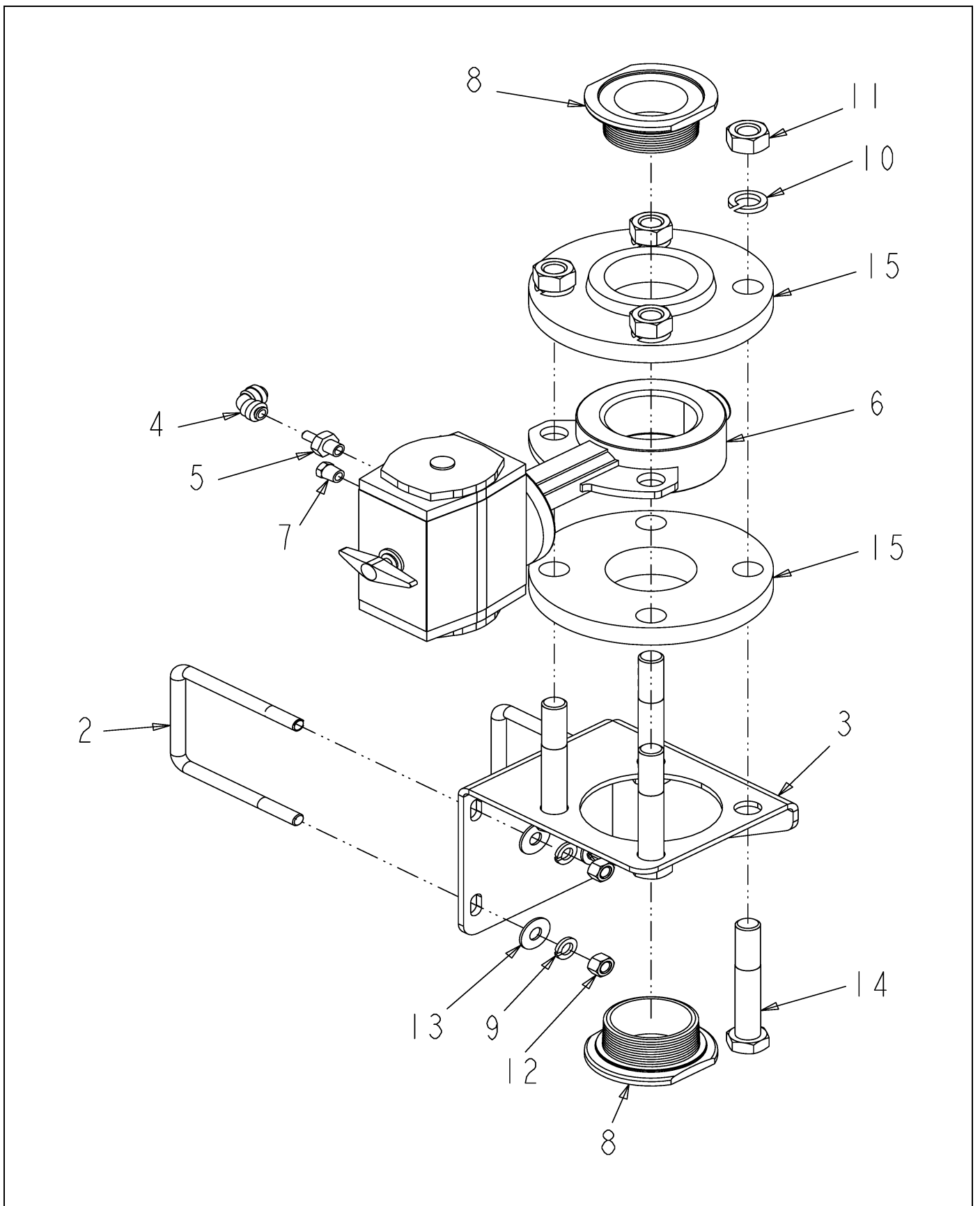


506873D1-02-N069-.TIF

PIPE ASM-.5X10,PP,ENDROW

ITEM	PART #	QTY	DESCRIPTION	COMMENTS
1	AG051131	1	COUPLING-PIPE,1.00NPT,PP	
2	AG129187	AR	PIPE SEALANT-FLEX BLACK	
3	AG519561	1	NOZ HLDR-SGL 1.00 IPS	SEE PAGE 4-34
4	506874D1	1	TUBE-BOOM,PP,10,6.13	
5	508196D1	1	VALVE-SOL,NOZ BODY,ARAG,150PSI	SEE PAGE 4-21

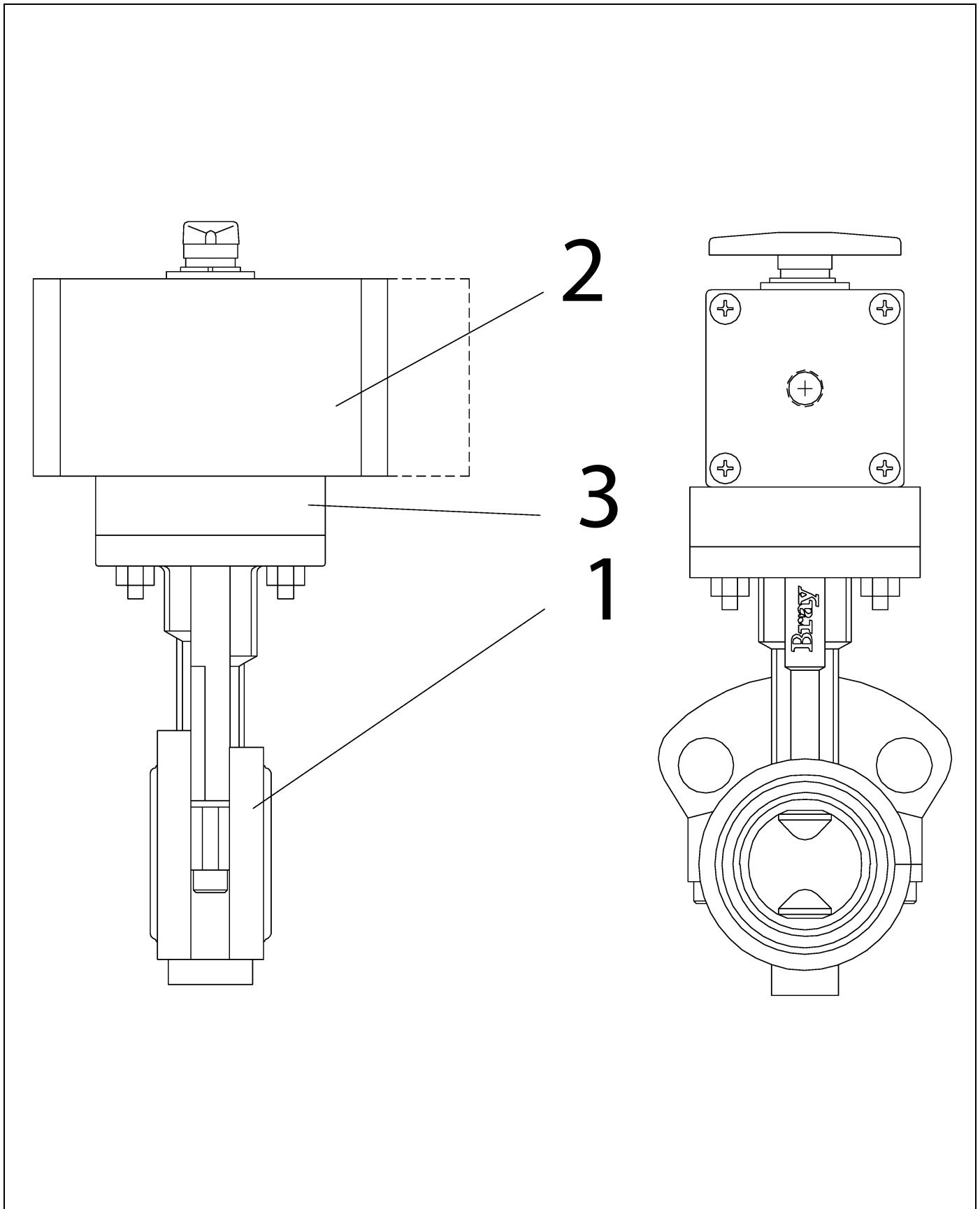
VALVE/BRKT ASM-MAIN,2.00 BTFL



508756D1-01-N428-.TIF

VALVE/BRKT ASM-MAIN,2.00 BTFL

ITEM	PART #	QTY	DESCRIPTION	COMMENTS
1	AG129187	AR	PIPE SEALANT-FLEX BLACK	
2	AG230314	2	U-BOLT 3.00 X 4.0 SQ	
3	AG325615	1	BRACKET-MTG,VALVE	
4	AG516229	1	ELBOW,UNION 0.25TUBE AUTO LCK	
5	AG516231	1	STEM MALE TUBE 0.25X0.12	
6	AG520375	1	VALVE-BTFL,2.00,SPR RTN,PNEU	SEE PAGE 4-31
7	AG522616	1	VENT-BREATHER,,12 NPT	
8	AG523524	2	ADPTR-2.0FLG,FPX2.0MPT,316SS	
8	AG550191	4	WASHER 0.37 LK ZN REG	
10	AG550450	4	WASHER 0.62 LK ZN REG	
11	AG550477	4	NUT 0.62-11NC HEX ZN REG	
12	AG550825	4	NUT 0.37-16NC HEX ZN REG	
13	AG551007	4	WASHER 0.37 FL ZN REG TYPE-B	
14	AG551031	1	BOLT 0.62-11NCX 4.00 G5 ZN HHD	
15	AG554774	2	FLANGE COMP 2.0NPTX6.0 4H	[A]
	FOOTNOTE [A]		FLANGE GASKET(RUBBER) AG055171	

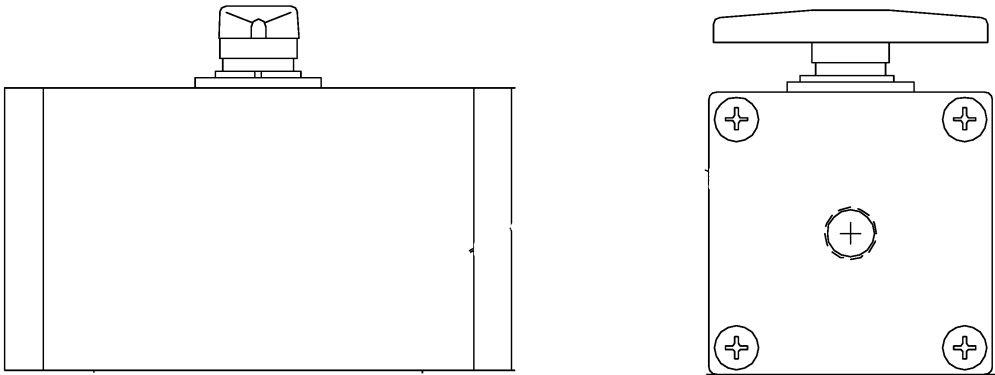


520375.TIF

VALVE-BTFL,2.00,SPR RTN,PNEU

ITEM	PART #	QTY	DESCRIPTION	COMMENTS
REF	AG331613	-	ACTUATOR/VALVE	
1	AG520373	1	VALVE-BTFL,2.00	SEE PAGE 10-1
2	AG610179	1	ACTUATOR-VALVE,2.00,SPR RTN	SEE PAGE 4-32
3	AG714004	1	BUSHING 518337	

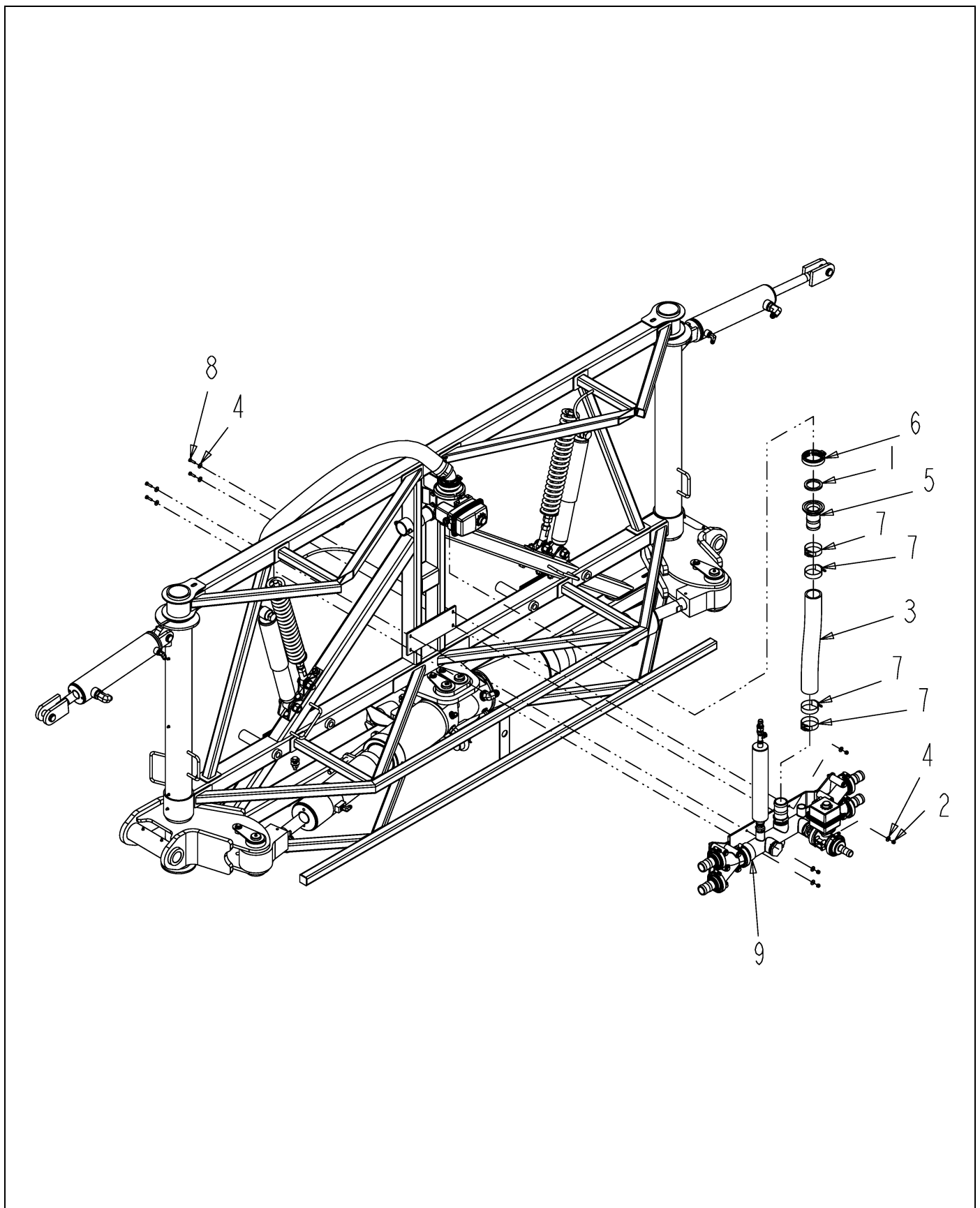
ACTUATOR-VALVE,2.00,SPR RTN



610179.tif

ACTUATOR-VALVE,2.00,SPR RTN

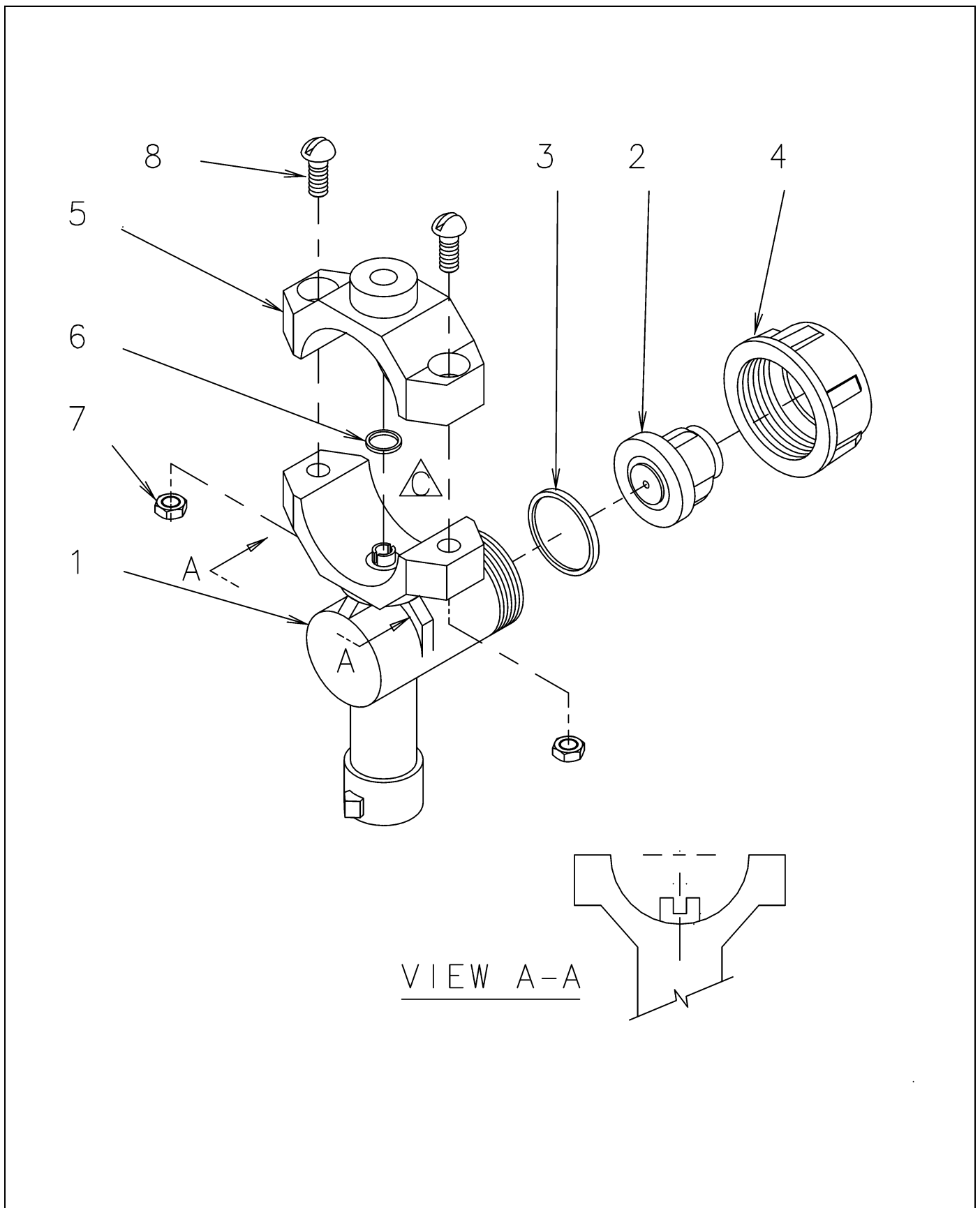
ITEM	PART #	QTY	DESCRIPTION	COMMENTS
REF			DETAIL IMAGE, PLEASE REFER TO RELATED PAGES FOR MORE INFORMATION	
REF	AG522616	4	VENT-BREATHER,,12 NPT	
REF	AG550205	4	WASHER 0.31 LK ZN REG	
REF	AG551015	4	WASHER 0.31 FL ZN REG TYPE-B	
REF	AG551252	4	BOLT 0.31-18NCX 1.00 G5 ZN HHD	
REF	AG714000	-	SEAL/BEARING REPAIR KIT	[A]
REF	AG721680	8	SPRING-AIR ACTUATOR 610179	
	FOOTNOTE [A]		R/K FOR OLD ACTUATOR W/1/8 PORTS. EPDM SEAT AG714002 BUSHING REDUCER AG715417 R/K FOR NEW ACTUATOR W/1/4 PORT AG139450	



514997D1-01-N980-.TIF

MANF INSTL-BM,HV Y,W/BALL VLV

ITEM	PART #	QTY	DESCRIPTION	COMMENTS
1	AG000773	1	GASKET 2.00 EPDM	
2	AG027275	4	NUT 0.25-20NC HEX SS REG NY	
3	AG511722	-	HOSE-2.00,WIRE BRAID,EPDM [BULK: 1.500 FT]	
4	AG515121	8	WASHER 0.25 FL SS REG TYPE-B	
5	AG522894	1	CONN-2.00 FLG X2.00 HOSE BARB	
6	AG522895	1	CLAMP-WORM SCREW,2.00,SS	
7	AG561630	4	CLAMP 2.28-2.59HOSE VOSS-250SS	
8	AG562064	4	BOLT 0.25-20NCX 1.00 SS HHD	
9	506845D1	1	MANF ASM-BM,HV Y,W/BALL VLV	SEE PAGE 2-7

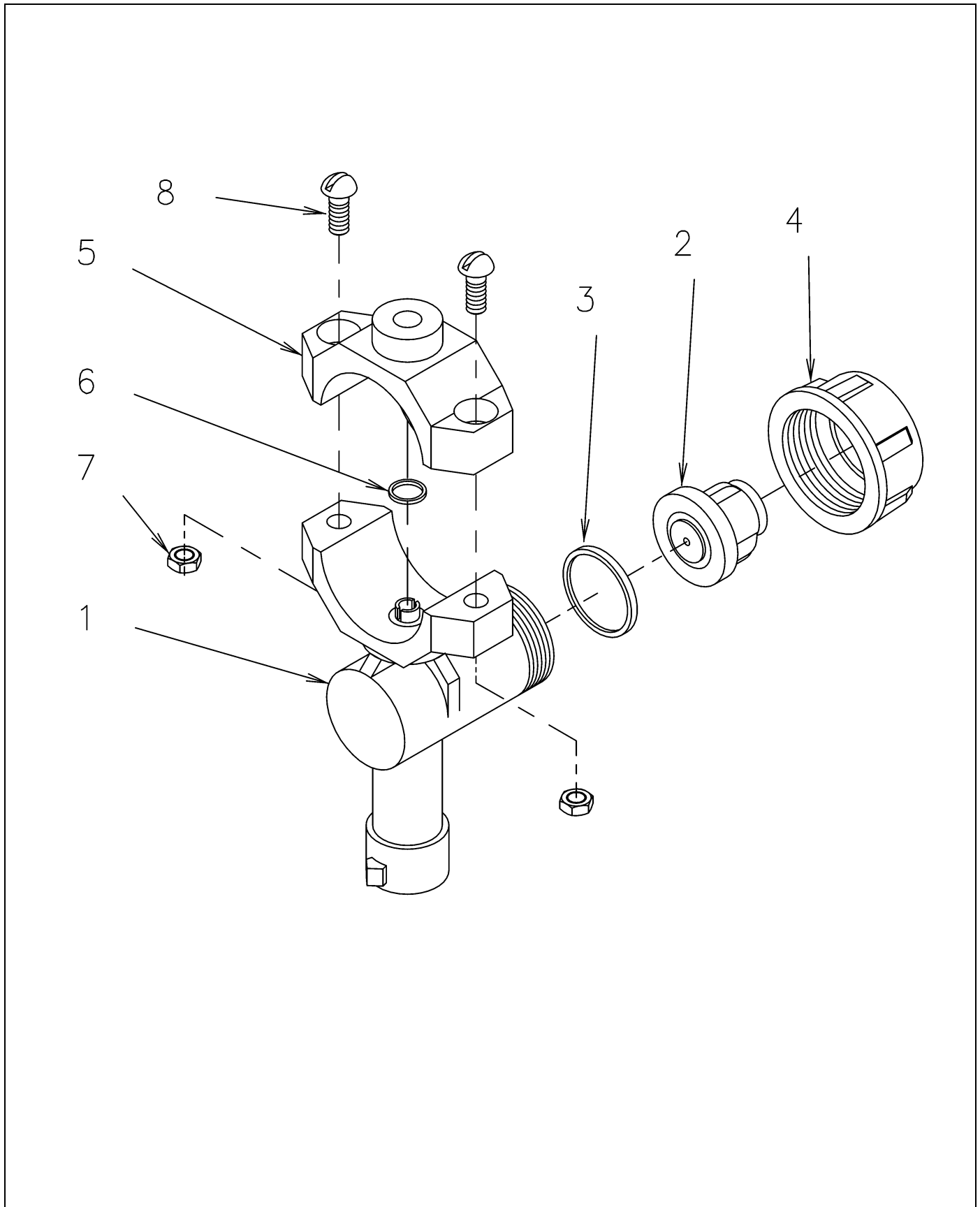


519561-C-2.TIF

NOZ HLDR-SGL 1.00 IPS

ITEM	PART #	QTY	DESCRIPTION	COMMENTS
1	AG609923	1	QUICK COUP SGL BODY/PIPE 1.00	
2	AG609737	1	ANTI DRIP ASM 7PSI (RED)	
3	AG609738	1	DIAPHRAGM EPDM	
3	AG053265	1	DIAPHRAGM VITON	
4	AG609739	1	END CAP	
5	AG609921	1	CLAMP 1.00 INCH	
6	AG609741	1	O RING	
7	AG563095	2	NUT 10-24 SS W/STAR WASHER	
8	AG563096	2	SCR/NUT-10-24X.75,SS,RHS	

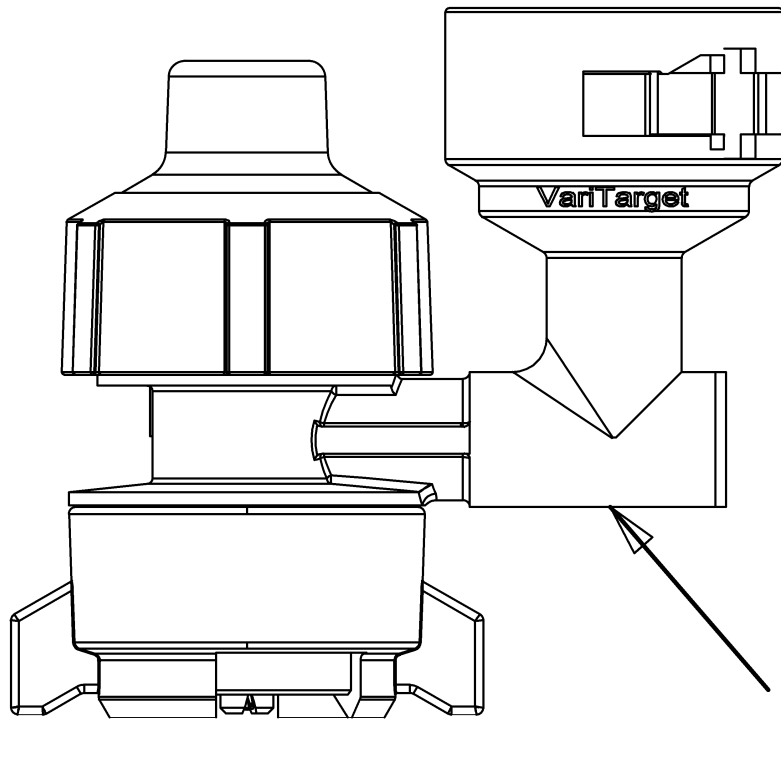
SINGLE NOZZLE HOLDER-.75 PIPE



518660-E-2.TIF

SINGLE NOZZLE HOLDER-.75 PIPE

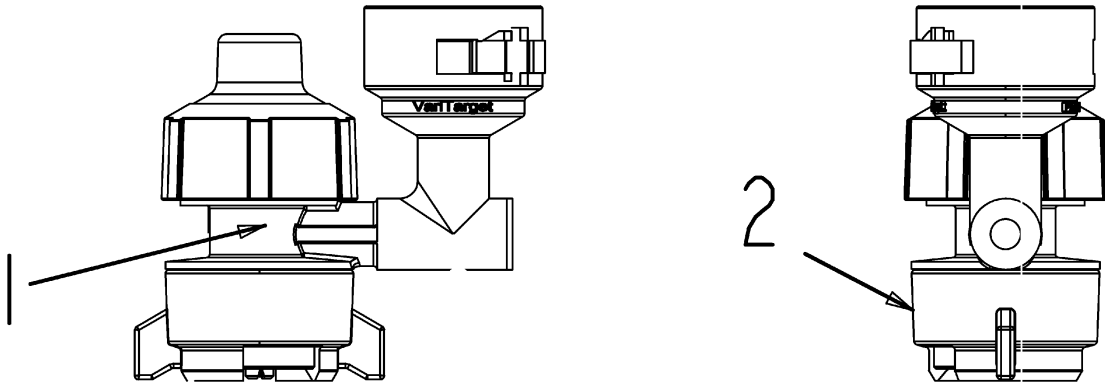
ITEM	PART #	QTY	DESCRIPTION	COMMENTS
1	AG609747	1	QUICK-CPLG UNIGET BODY/PIPE.75	
2	AG609737	1	ANTI DRIP ASM 7PSI (RED)	
3	AG609738	1	DIAPHRAGM EPDM	
3	AG053265	1	DIAPHRAGM VITON	
4	AG609739	1	END CAP	
5	AG609748	1	CLAMP 0.75 518660	
6	AG609741	1	O RING	
7	AG563095	2	NUT 10-24 SS W/STAR WASHER	
8	AG563096	2	SCR/NUT-10-24X.75,SS,RHS	



KIT-NOZ,SPRAY,VARITARGET,CLR,5

ITEM	PART #	QTY	DESCRIPTION	COMMENTS
1	AG426003	5	NOZZLE-SPRAY,VARITARGET,1.2GPM	SEE PAGE 4-37

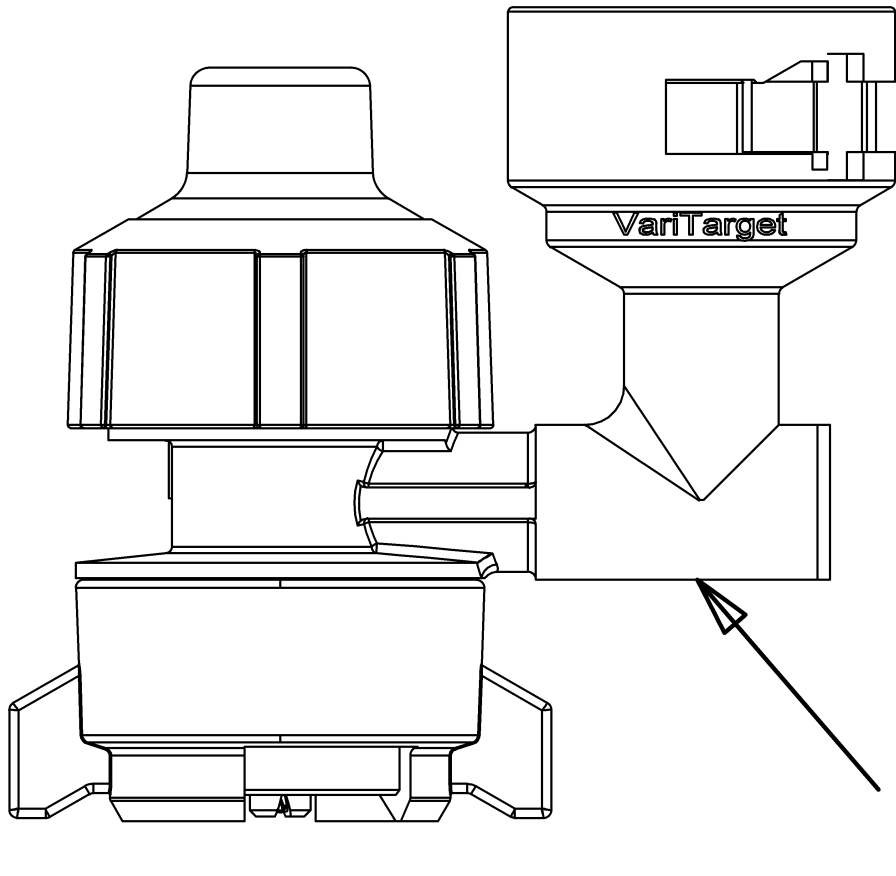
NOZZLE-SPRAY,VARITARGET,1.2GPM



426003-01-M586.tif

NOZZLE-SPRAY,VARITARGET,1.2GPM

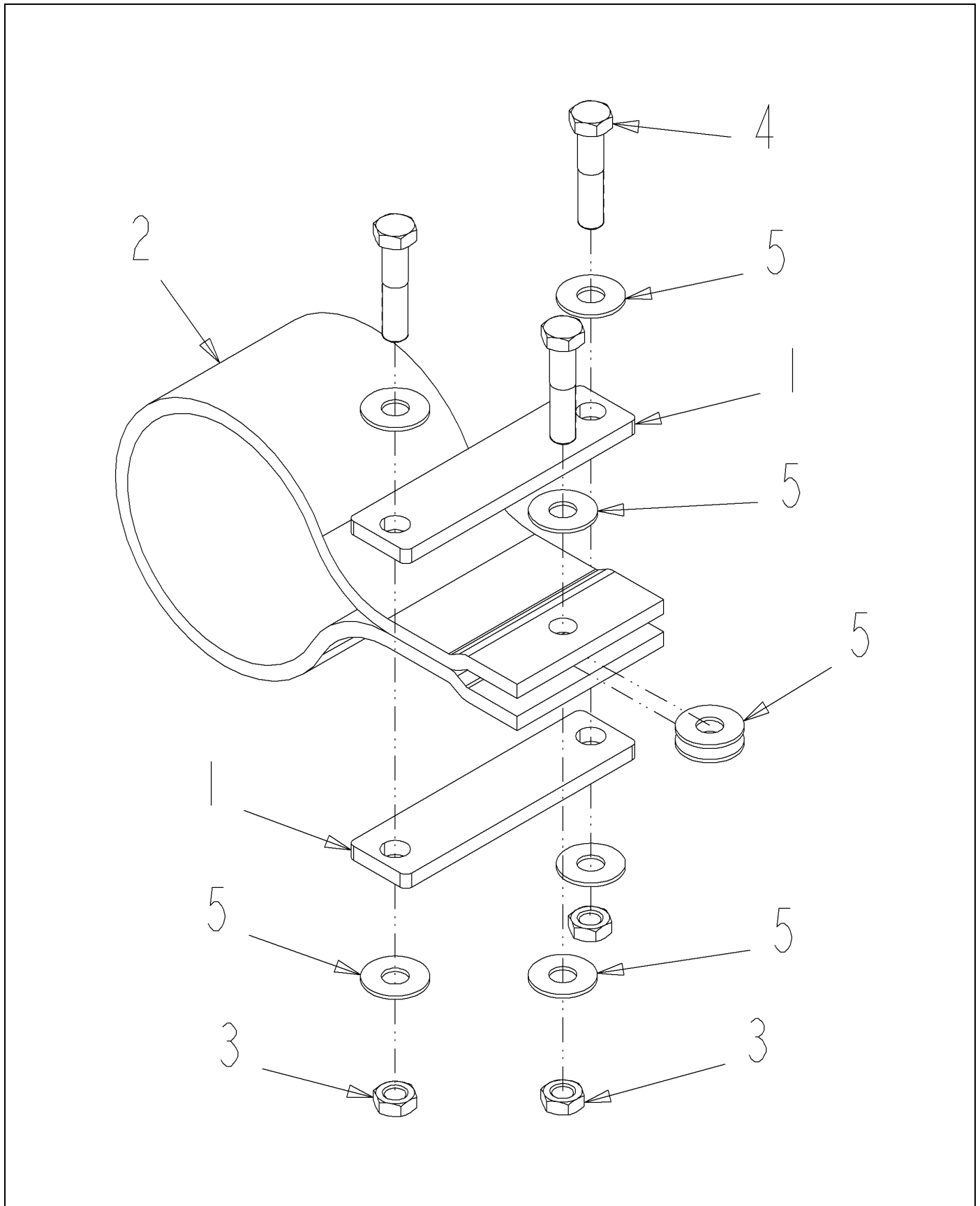
ITEM	PART #	QTY	DESCRIPTION	COMMENTS
1	AG426006	-	METERING ASM-NOZZLE,VARITARGET	
2	AG426009	-	TIP&GSKT-SPRAY,VARITARGET,CLR	



KIT-NOZ,VARITARGET,CLR,25

ITEM	PART #	QTY	DESCRIPTION	COMMENTS
1	AG426003	25	NOZZLE-SPRAY,VARITARGET,1.2GPM	SEE PAGE 4-37

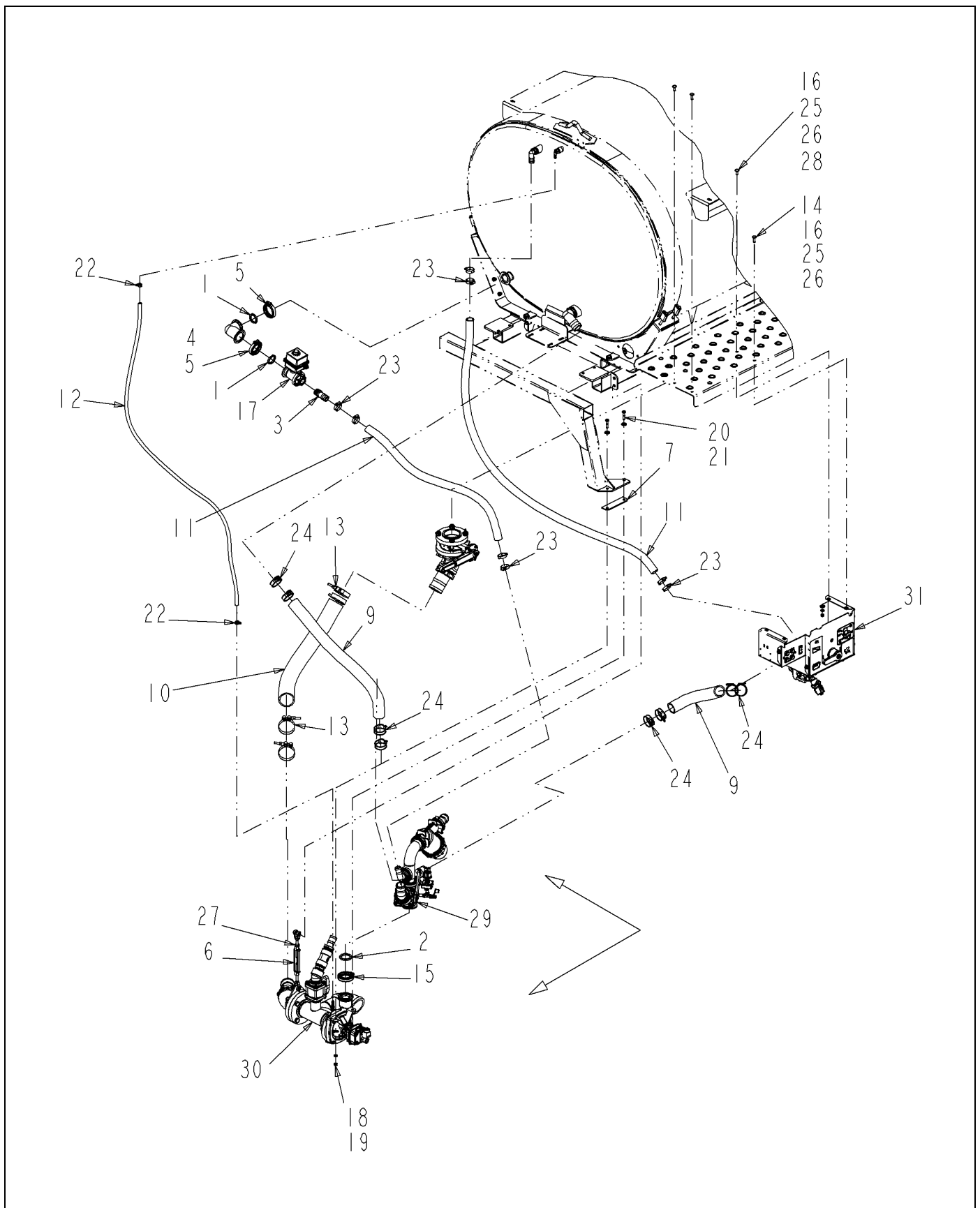
HANGER ASM-HOSE



509480D1-01-N259-.TIF

HANGER ASM-HOSE

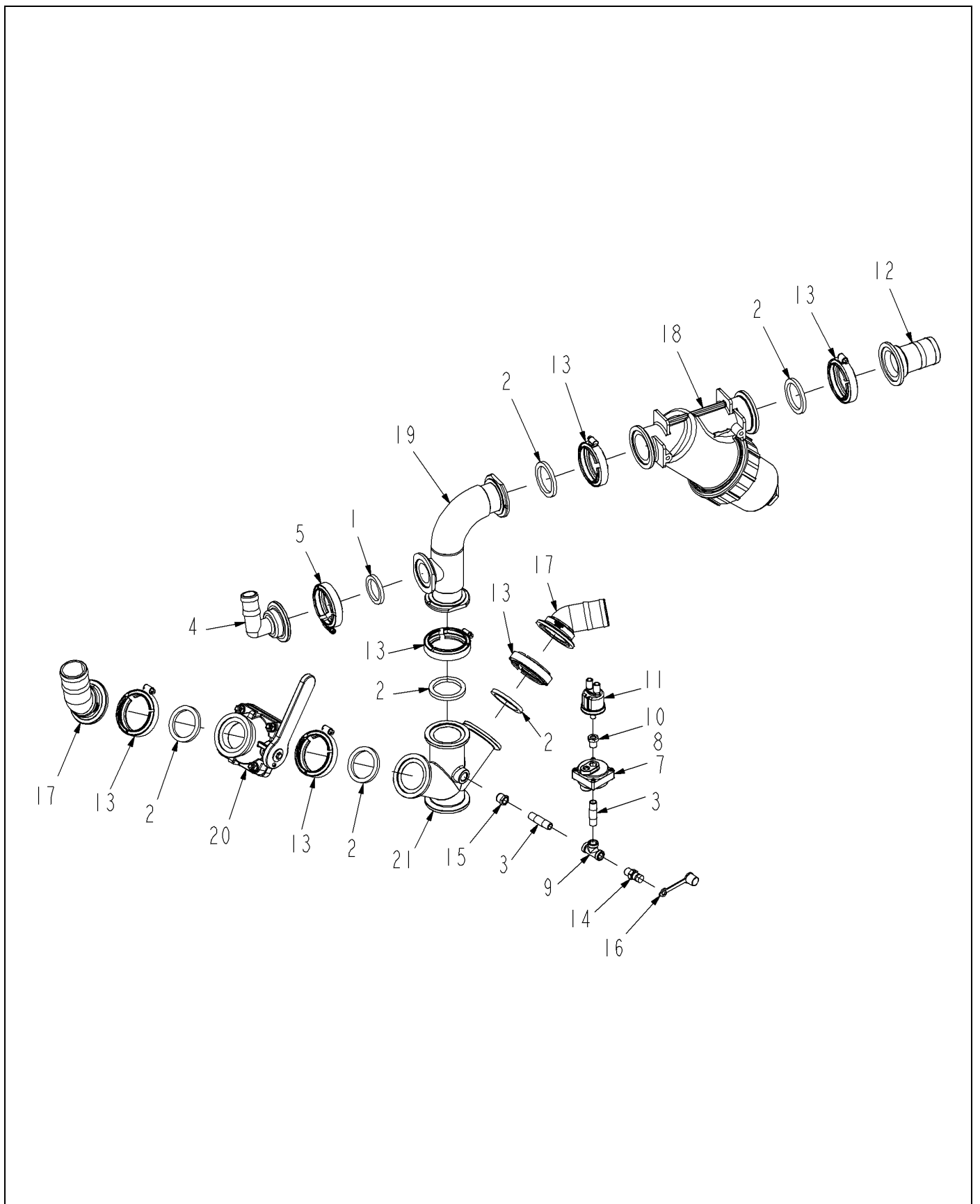
ITEM	PART #	QTY	DESCRIPTION	COMMENTS
1	AG237961	2	PLATE-COVER	[A]
2	AG238315	1	STRAP-HOSE HANGER	
3	AG515140	3	NUT 0.37-16NC HEX SS HVY NY	
4	AG515277	3	BOLT 0.37-16NCX 1.75 S.S. HHD	
5	AG562073	8	WASHER 0.37 FL SS REG TYPE-B	
	FOOTNOTE [A]		PLATE THAT COVER BOLTS - AG237959	



509272D1-03-R506-.TIF

PLMB ASM-PROD,LIQ,8/10/12X4

ITEM	PART #	QTY	DESCRIPTION	COMMENTS
1	AG000772	2	GASKET 1.50 EPDM	
2	AG000773	1	GASKET 2.00 EPDM	
3	AG051183	1	BARB-HOSE,1.00MNPTX1.25BARB,PP	
4	AG056284	1	COUPLING 2.00 MANIFOLD 90D	
5	AG056785	2	CLAMP 2.00 FLANGE	
6	AG128843	1	TURNBUCKLE-JAW,JAW,,5X6	
7	AG129132	1	PLATE-SPACER,PUMP,PROD	
8	AG129187	AR	PIPE SEALANT-FLEX BLACK	
9	AG511722	-	HOSE-2.00,WIRE BRAID,EPDM [BULK: 4.917 FT]	
10	AG511730	-	HOSE 3.00 WIRE BRAID EPDM [BULK: 2.917 FT]	
11	AG513393	-	HOSE 1.25 2BRD EPDM [BULK: 12.834 FT]	
12	AG513689	-	HOSE 0.37 2BRD EPDM [BULK: 7.834 FT]	
13	AG518988	4	CLAMP 3.10-3.69 HOSE	
14	AG522571	2	BOLT 0.37-16NCX 1.25 304SS CRG	
15	AG522895	1	CLAMP-WORM SCREW,2.00,SS	
16	AG523061	4	WASHER 0.37 FL SS REG TYPE-B	
17	AG523925	1	VALVE-ELEC,REG,2.0FLGX1.0FNPT	SEE PAGE 2-18
18	AG550191	2	WASHER 0.37 LK ZN REG	
19	AG550825	2	NUT 0.37-16NC HEX ZN REG	
20	AG551007	2	WASHER 0.37 FL ZN REG TYPE-B	
21	AG558869	2	BOLT 0.37-16NCX 1.75 G5 ZN HHD	
22	AG561227	2	CLAMP 0.44-0.78 HOSE 6HS	
23	AG561230	8	CLAMP 0.81-1.75 HOSE 20HS	
24	AG561630	8	CLAMP 2.28-2.59HOSE VOSS-250SS	
25	AG562050	4	WASHER 0.37 LK SS REG	
26	AG562065	4	NUT 0.37-16NC HEX SS REG	
27	AG562538	1	NUT 0.50-13NC HEX GALV REG OSZ	
28	AG609084	2	BOLT 0.37-16NCX 1.00 SS CRG	
29	509262D1	1	PLMB ASM-DISTR,PRESS W/STRAIN	SEE PAGE 4-41
30	509263D1	1	PLMB ASM-PUMP/SUCTION	SEE PAGE 4-43
31	509264D1	1	BOX ASM-CTRL,PLMB,PRESS MANF	SEE PAGE 4-44

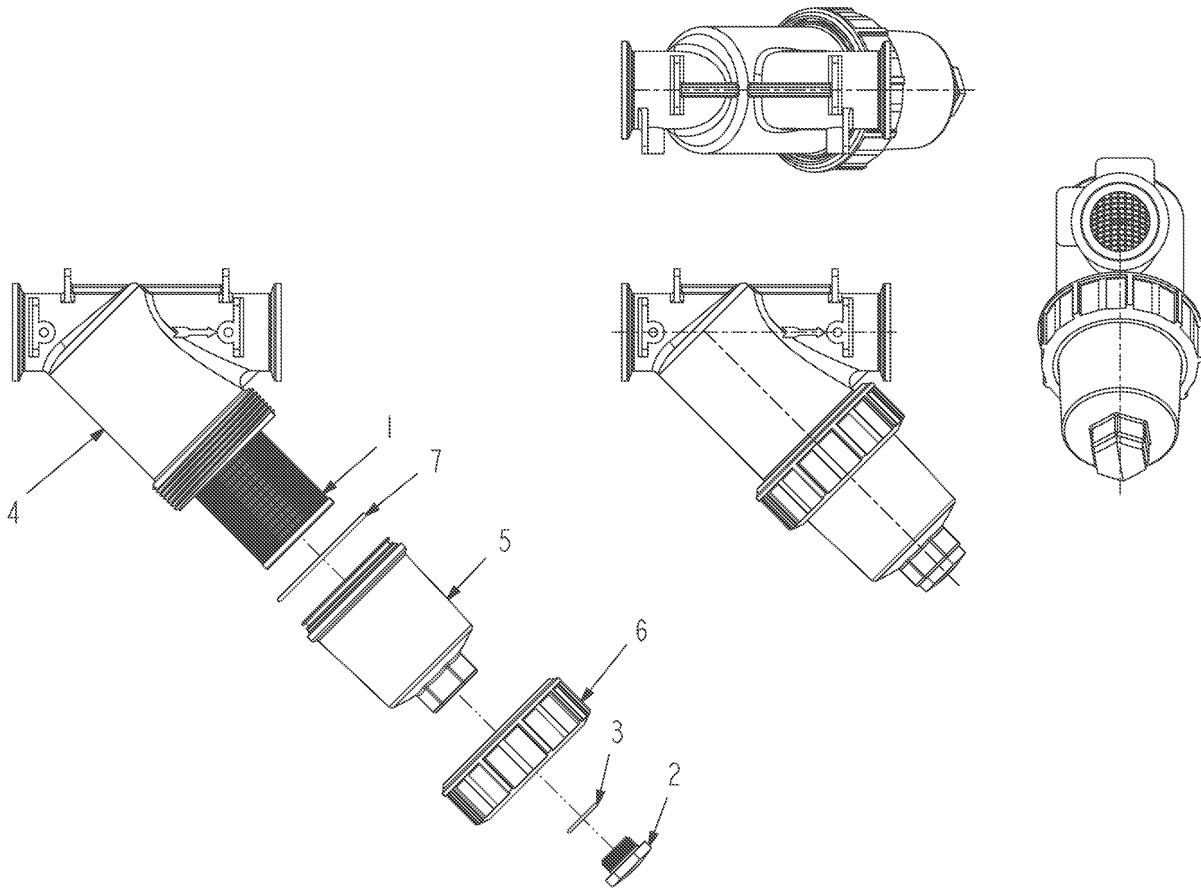


509262D1-03-R506-.TIF

PLMB ASM-DISTR,PRESS W/STRAIN

ITEM	PART #	QTY	DESCRIPTION	COMMENTS
1	AG000772	1	GASKET 1.50 EPDM	
2	AG000773	6	GASKET 2.00 EPDM	
3	AG055912	2	NIPPLE 0.25NPTX 2.00 304SS	
4	AG056290	1	CONNECTOR 2.00FLGX1.25HOSE 90D	
5	AG056785	1	CLAMP 2.00 FLANGE	
6	AG129187	AR	PIPE SEALANT-FLEX BLACK	
7	AG134191	AR	COOLANT-ENGINE,50/50 MIX	
8	AG515414	1	GAUGE PROTECTOR	
9	AG517855	1	TEE 0.25 NPT FEMALE SS	
10	AG518504	1	BUSHING .25MNPT X .12FNPT SS	
11	AG521017	1	SENDER-PRESSURE,0-150PSI,GRD	
12	AG522894	1	CONN-2.00 FLG X2.00 HOSE BARB	
13	AG522895	6	CLAMP-WORM SCREW,2.00,SS	
14	AG562607	1	COUPLER QK 0.25-18 MALE	
15	AG563055	1	BUSHING .38MA NPTX .25FE NPT	
16	6630367	1	CAP-DUST	
17	507731D1	2	BARB-45D,2.00FP FLGX2.00 HOSE	
18	508662D1	1	STRAINER-Y,2.00FP FLG,W/30MESH	SEE PAGE 4-42
19	509261D1	1	MANF WLDMT-PRESS,MAIN,2.00FP	
20	513021D1	1	VLV-SH,WHT,2.00FP X 2.00FP FLG	
21	519380D1	1	MANF-3WAY,2.00FP FLG W/GP,SS	

STRAINER-Y,2.00FP FLG,W/30MESH

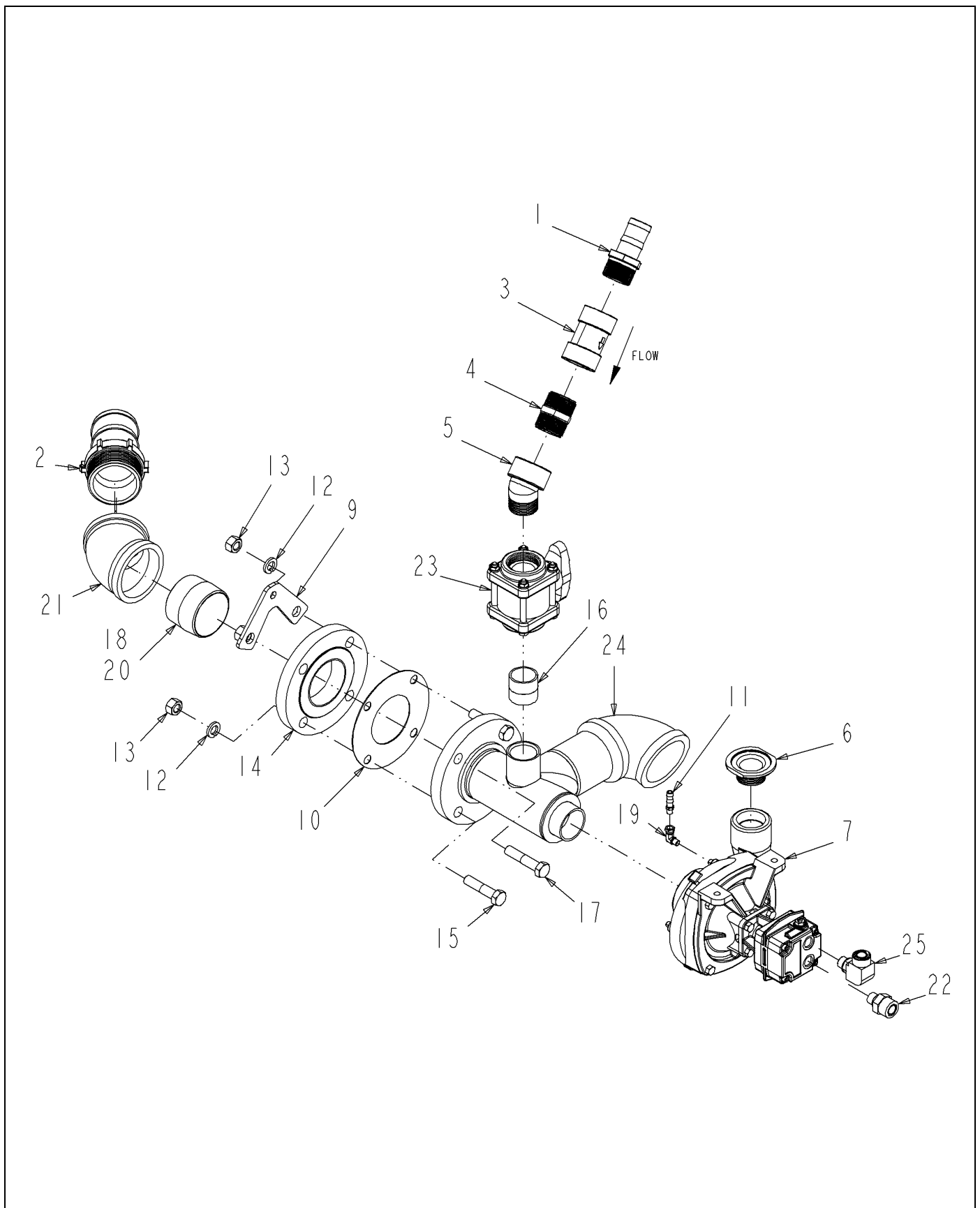


508662D1-01-N143-.TIF

STRAINER-Y,2.00FP FLG,W/30MESH

ITEM	PART #	QTY	DESCRIPTION	COMMENTS
1	AG052351	-	SCREEN 30 MESH	
2	AG053484	-	PLUG 1 IN	[A]
3	AG053485	-	O RING CLEAN OUT PLUG	
4	508663D1	-	BODY-STRAINER,6,2.00FP FLG	
5	508664D1	-	CAP-STRAINER,6,2.00FP FLG	
6	508665D1	-	RING-STRAINER,Y,2.00FP FLG	
7	508666D1	-	GASKET-BODY,STRAINER,Y,2.00GP	
	FOOTNOTE [A]		O-RING VITON AG054967	

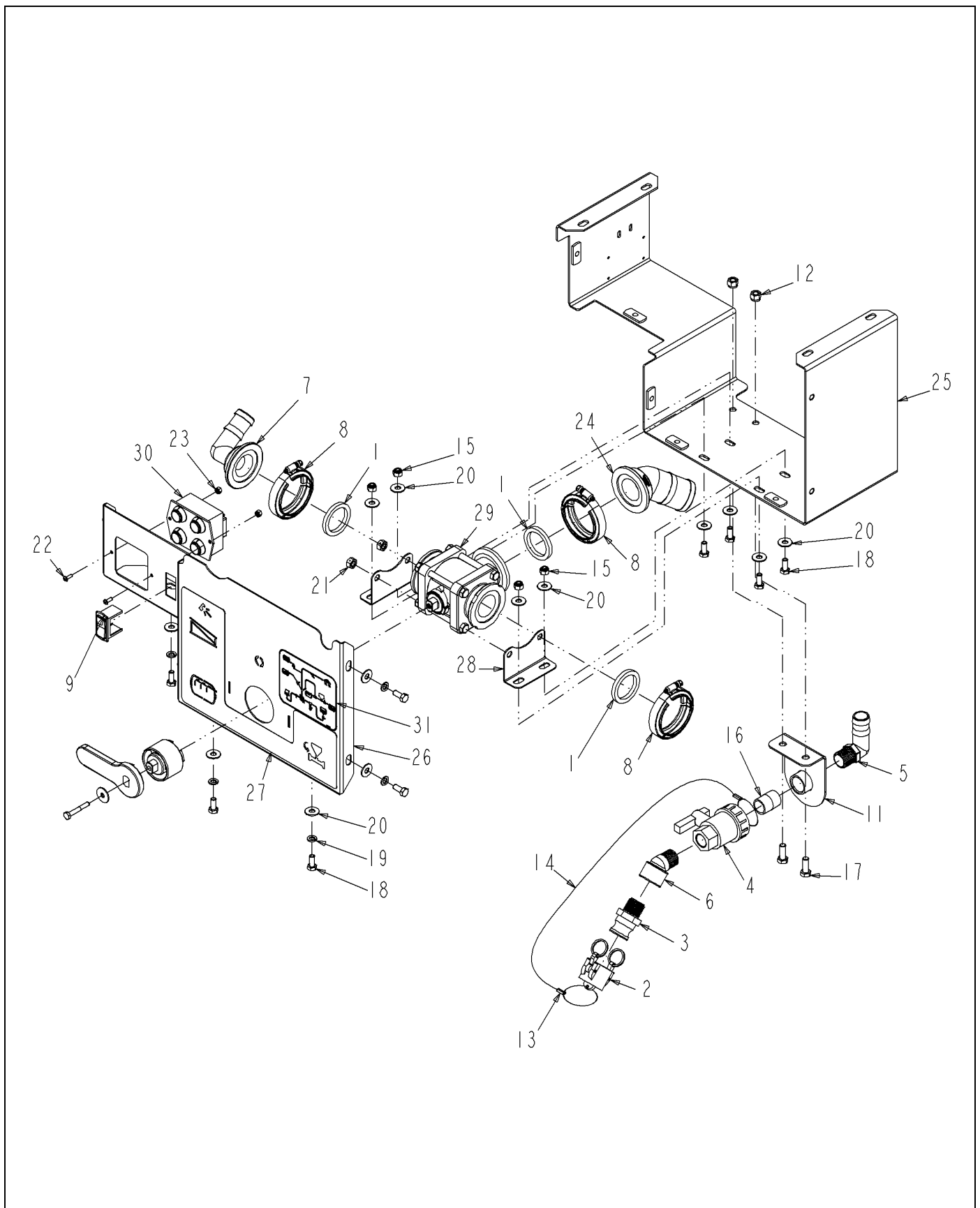
PLMB ASM-PUMP/SUCTION



509263D1-03-R277-.TIF

PLMB ASM-PUMP/SUCTION

ITEM	PART #	QTY	DESCRIPTION	COMMENTS
1	AG000766	1	BARB-HOSE,1.50MNPTX1.50BARB,PP	
2	AG000768	1	BARB-HOSE,3.00MNPTX3.00BARB,PP	
3	AG006518	1	STRAINER CHECK 1.50	
4	AG050253	1	NIPPLE-PIPE,1.50NPTXCLS,PP	
5	AG052340	1	POLY ST ELBOW 45D 1.50 IN	
6	AG059570	1	ADAPTER 2.00FP FLANGEX1.50MNPT	
7	AG128977	1	PUMP-CNTFGL,2.00X1.50,9306CHM5	SEE PAGE 2-17
8	AG129187	AR	PIPE SEALANT-FLEX BLACK	
9	AG131011	1	PLATE-MTG,PLMB,SUCT,LIQ SYS	
10	AG517044	1	GASKET 3.00 IN FULL FACE NON-ASBE	
11	AG518195	1	FTG HOSE 1/8NPTX3/8HOSE POLY	
12	AG550450	4	WASHER 0.62 LK ZN REG	
13	AG550477	4	NUT 0.62-11NC HEX ZN REG	
14	AG553026	1	FLANGE COMP 3.0NPTX7.5 4H	
15	AG554758	2	BOLT 0.62-11NCX 2.75 G5 ZN HHD	
16	AG556742	1	NIPPLE 1.50NPTX 1.75CLS WR ST	
17	AG560870	2	BOLT 0.62-11NCX 3.00 G5 ZN HHD	
18	AG560931	1	NIPPLE 3.00NPTX 2.62CLS 304SS	
19	AG561212	1	ELBOW 90D 0.12MNPT X 0.12FNPT	
20	AG711522	AR	SEALANT PIPE""BLACKJACK""RS #21	
21	AG711986	1	ELBOW 45D 3.00 IN 304SS	
22	400963X1	1	CONNECTOR AS-STR -8STOR-12ORFS	
23	513020D1	1	VALVE-BALL,1.50NPT,BLU T HNDL	
24	519079D1	1	TEE WLDMT-3.00,SUCT,LIQ SYS	
25	CH148-8359	1	ELBOW AS.-90DEG 8STORX12 ORFS	

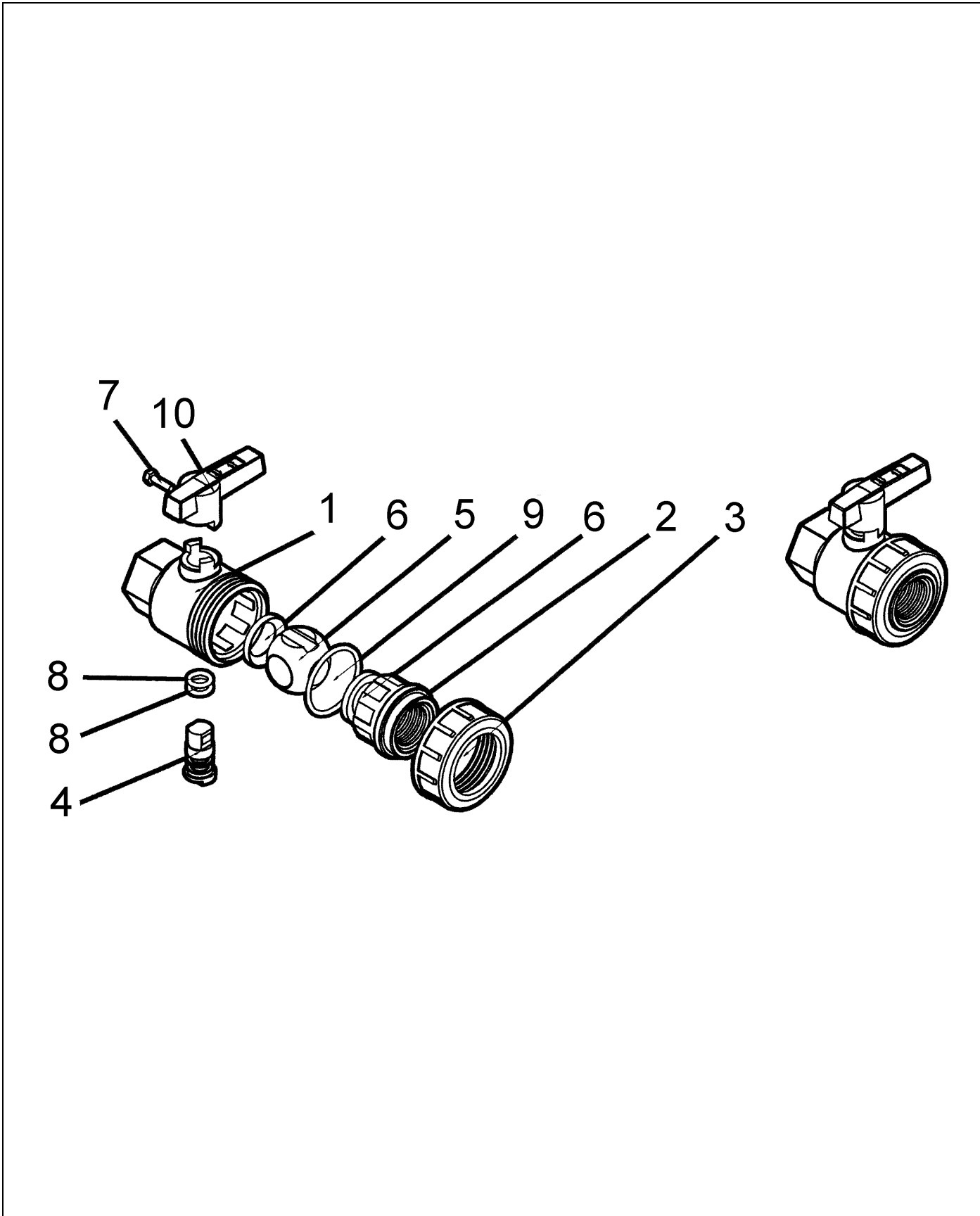


509264D1-03-R506-.TIF

BOX ASM-CTRL,PLMB,PRESS MANF

ITEM	PART #	QTY	DESCRIPTION	COMMENTS
1	AG000772	3	GASKET 1.50 EPDM	
2	AG006670	1	CAP-LEVER,QC,0.75 PP	
3	AG006671	1	ADAPTER 0.75NPTX0.75MALE	
4	AG050205	1	VALVE 0.75 NPT BALL UNION POLY	SEE PAGE 4-45
5	AG051143	1	ELBOW 90D 0.75NPTX1.00 BARB PP	
6	AG052343	1	ELBOW-PIPE,0.75STREET,45D,PP	
7	AG056290	1	CONNECTOR 2.00FLGX1.25HOSE 90D	
8	AG056785	3	CLAMP 2.00 FLANGE	
9	AG124437	1	PLUG-HOLE,SWITCH,CS-L	
10	AG129187	AR	PIPE SEALANT-FLEX BLACK	
11	AG262492	1	BRKT WLDMT-RINSE,FILL	
12	AG515140	2	NUT 0.37-16NC HEX SS HVY NY	
13	AG515981	2	COMPRESSION SLEEVE	
14	AG516060	-	CABLE NYLON COATED [BULK: 2 FT]	
15	AG516403	4	NUT 0.31-18NC HEX SS REG NY	
16	AG554472	1	NIPPLE .75NPT X 1.37CLS WR ST	
17	AG562048	2	BOLT 0.37-16NCX 1.00 S.S. HHD	
18	AG562049	11	BOLT 0.31-18NCX 0.75 SS HHD	
19	AG562051	7	WASHER 0.31 LK SS REG	
20	AG562074	15	WASHER 0.31 FL SS REG TYPE-B	
21	AG562123	2	NUT 0.37-16NC HEX SS C-LK	
22	AG562890	2	SCREW 8-32X.50 410SS PHPHD	
23	AG563176	2	NUT #8-32NC HEX SS REG NY	
24	508857D1	1	BARB-45D,2.00SP FLGX2.00 HOSE	
25	509265D1	1	BRKT WLDMT-MTG,CTRL,PRESS MANF	
26	509267D1	1	COVER-PANEL,CTRL,PRESS MANF	
27	509268D1	1	DECAL-PANEL,CTRL,PRESS MANF	
28	509269D1	2	BRKT-MTG,VALVE,2.00SP	
29	509270D1	1	VALVE-3WAY,BOT LOAD,2.00SP FLG	
30	509280D1	1	MODULE-CTRL,PLMB,PROD,LIQ SYS	
31	512767D1	1	DECAL-VALVE OPN SCHEM,RG	

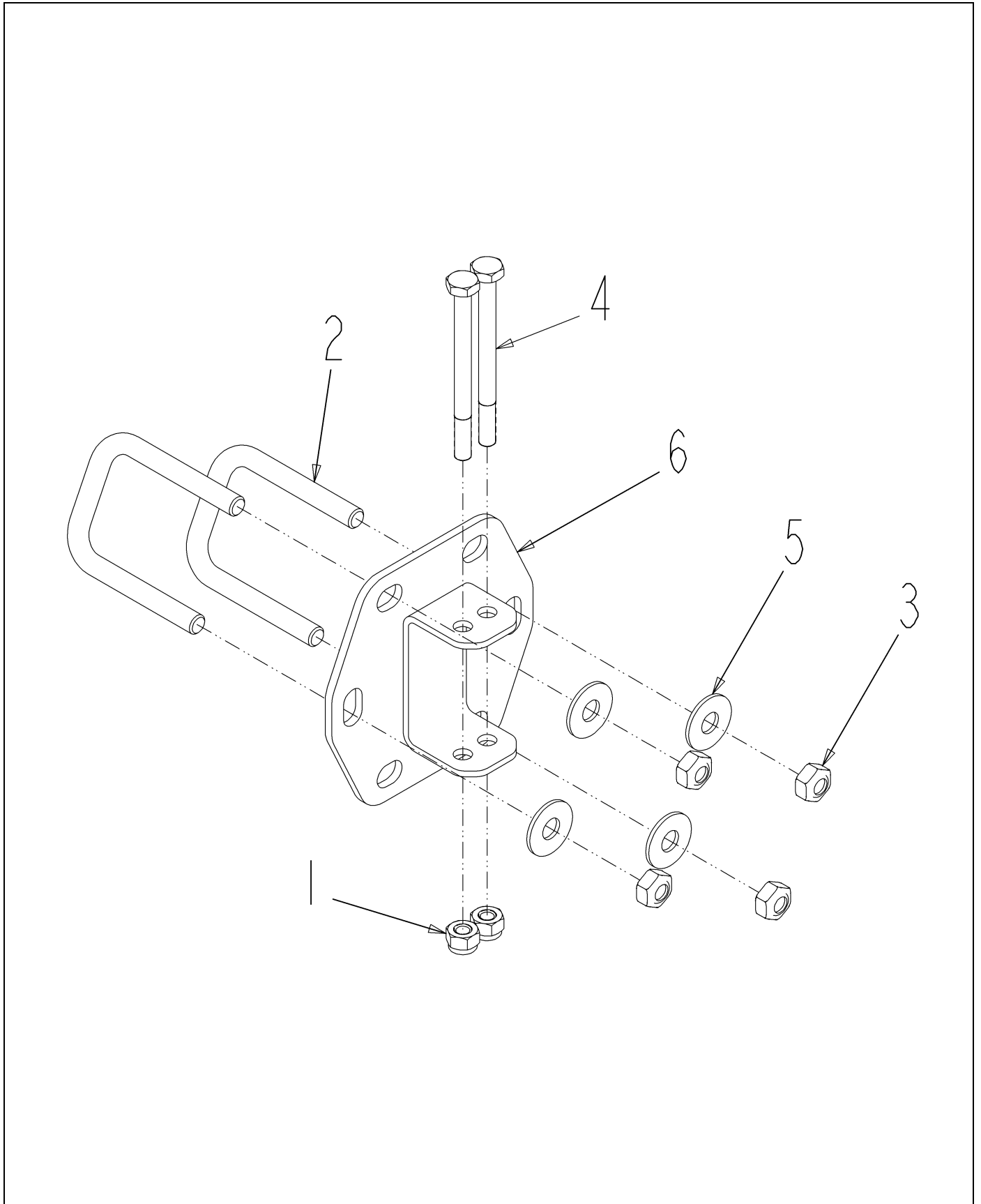
VALVE 0.75 NPT BALL UNION POLY



050205.TIF

VALVE 0.75 NPT BALL UNION POLY

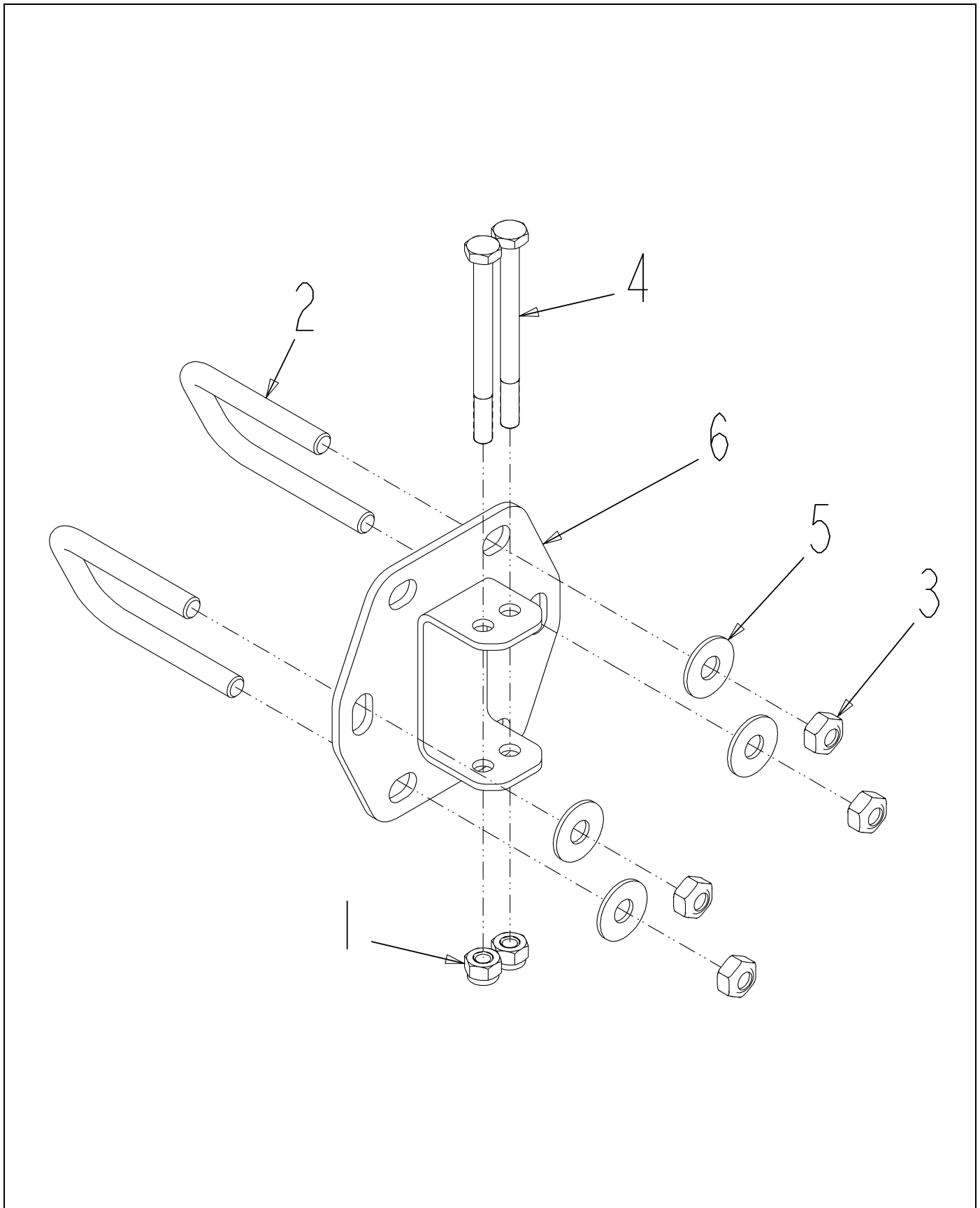
ITEM	PART #	QTY	DESCRIPTION	COMMENTS
1	AG050516	1	UNION BODY 0.75	
2	AG050518	1	PLATE UNION END 0.75	
3	AG050513	1	CAP 0.75 UNION END	
4	AG050514	1	STEM 0.75 UNION	
5	AG050517	1	BALL VALVE UNION 0.75	
6	AG050519	2	SEAL 0.75 UNION VALVE	
8	AG050520	2	O RING 0.75 UNION STEM (EPDM)	
9	AG050475	1	O RING	
10	AG050515	1	HANDLE 0.75 UNION	



507003D1-01-M930.TIF

BRKT ASM-MTG,ANG,SNSR,LH

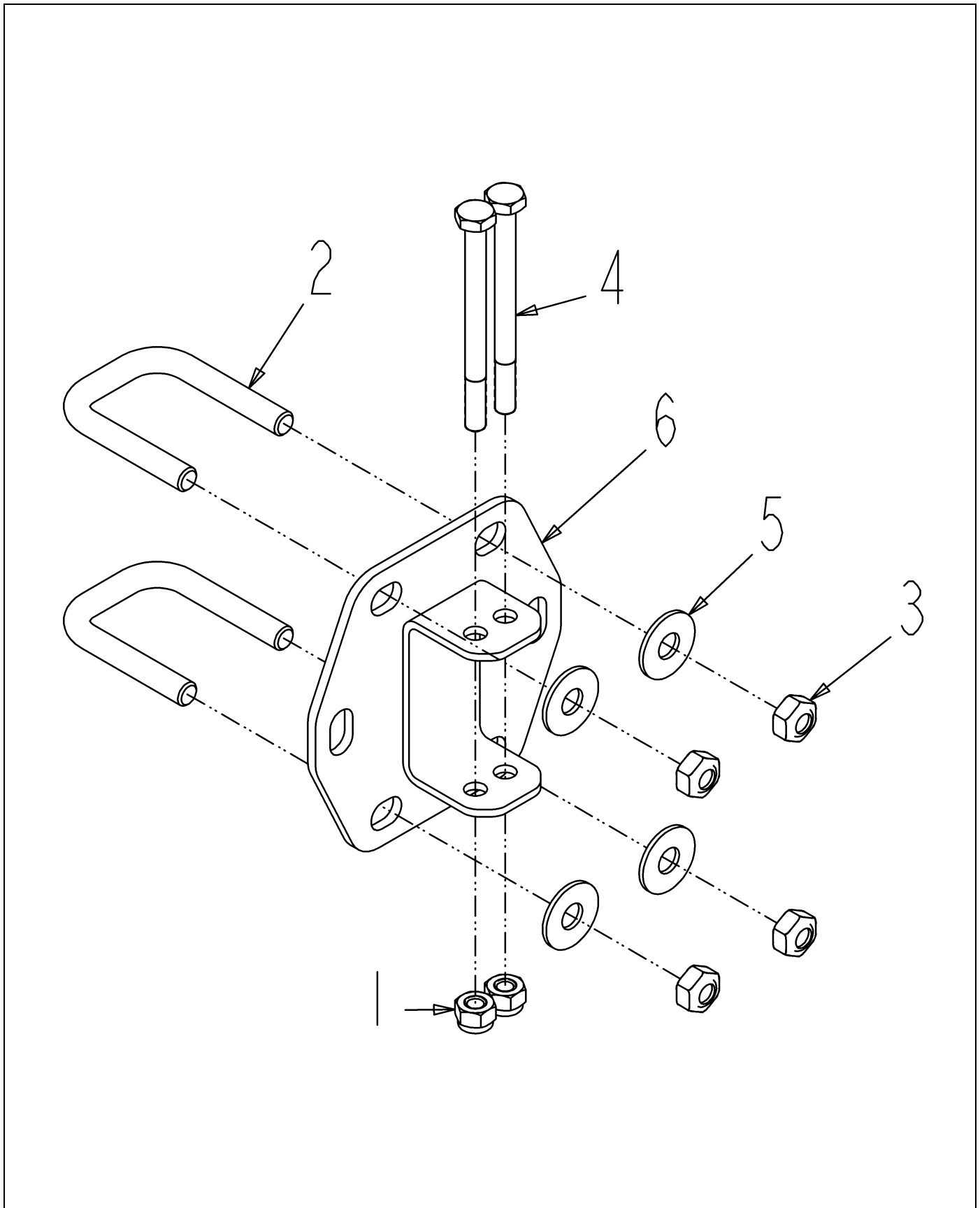
ITEM	PART #	QTY	DESCRIPTION	COMMENTS
1	AG027275	2	NUT 0.25-20NC HEX SS REG NY	
2	AG231204	2	BOLT-U .31-18X1.88X2.63	
3	AG516403	4	NUT 0.31-18NC HEX SS REG NY	
4	AG518492	2	BOLT 0.25-20NCX 3.00 SS HHD	
5	AG562074	4	WASHER 0.31 FL SS REG TYPE-B	
6	506906D1	1	BRKT WLDMT-MTG,SNSR,AUTOBOOM	



507004D1-01-M930.TIF

BRKT ASM-MTG,ANG,SNSR,RH

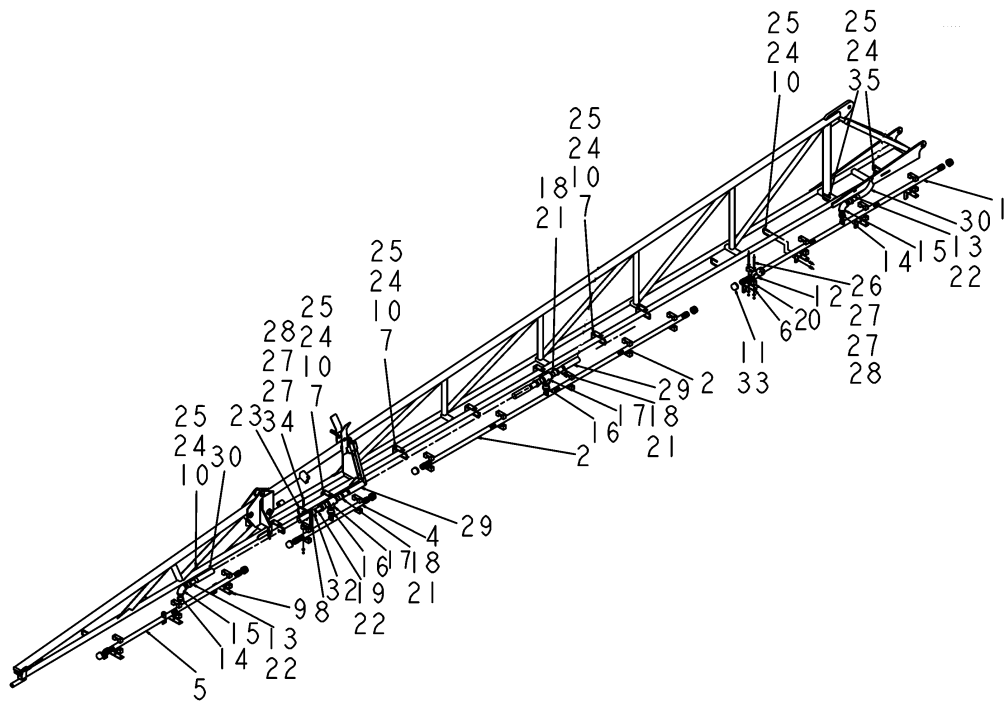
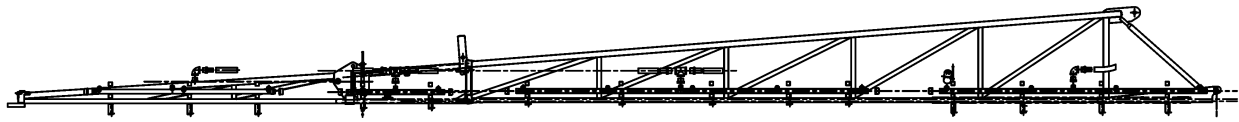
ITEM	PART #	QTY	DESCRIPTION	COMMENTS
1	AG027275	2	NUT 0.25-20NC HEX SS REG NY	
2	AG231204	2	BOLT-U .31-18X1.88X2.63	
3	AG516403	4	NUT 0.31-18NC HEX SS REG NY	
4	AG518492	2	BOLT 0.25-20NCX 3.00 SS HHD	
5	AG562074	4	WASHER 0.31 FL SS REG TYPE-B	
6	506906D1	1	BRKT WLDMT-MTG,SNSR,AUTOBOOM	



507025D1-01-M930.TIF

BRKT ASM-MTG,VERT,SNSR,AUTOBM

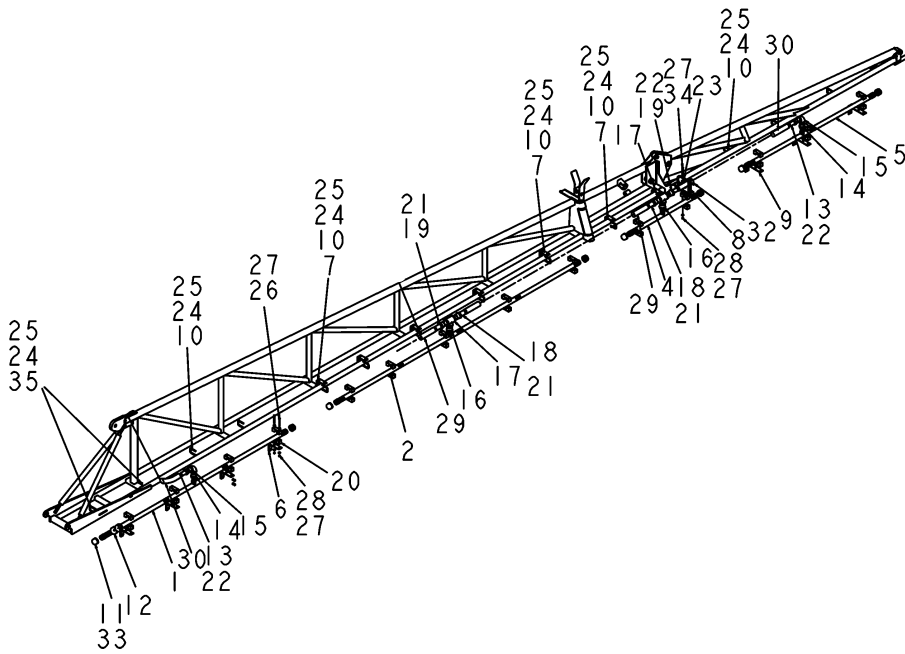
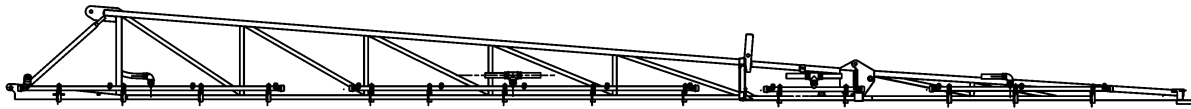
ITEM	PART #	QTY	DESCRIPTION	COMMENTS
1	AG027275	2	NUT 0.25-20NC HEX SS REG NY	
2	AG211441	2	BOLT-U .31-18X1.31X 2.00SQG5ZN	
3	AG516403	4	NUT 0.31-18NC HEX SS REG NY	
4	AG518492	2	BOLT 0.25-20NCX 3.00 SS HHD	
5	AG562074	4	WASHER 0.31 FL SS REG TYPE-B	
6	506906D1	1	BRKT WLDMT-MTG,SNSR,AUTOBOOM	



503465-E.tif

PLMB INSTL-HV,BOOM,LH,80

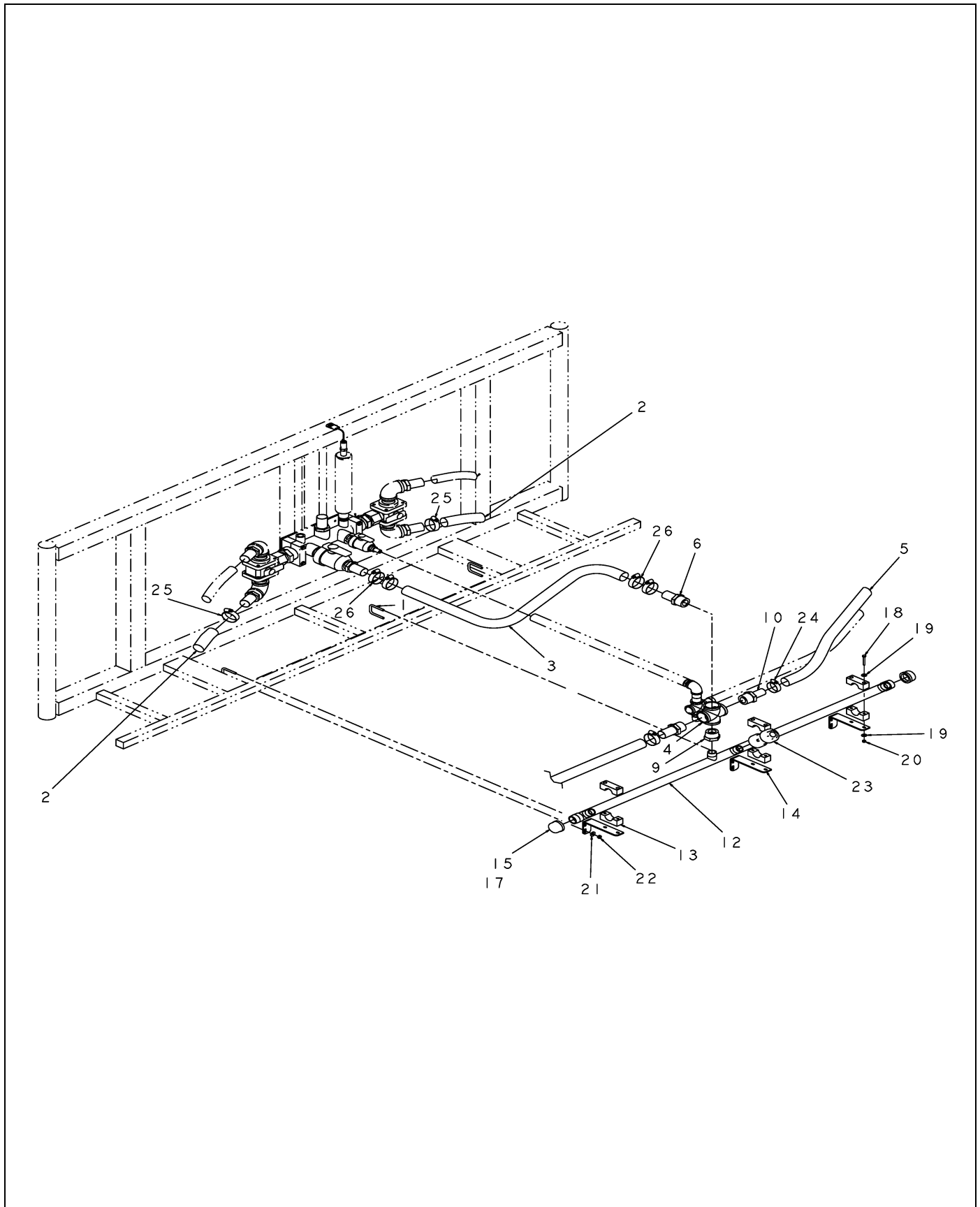
ITEM	PART #	QTY	DESCRIPTION	COMMENTS
1	AG423007	1	TUBE WLDMT-BOOM,HV,90.00	
2	AG423384	1	TUBE WLDMT-BOOM,HV,120	
4	AG260239	1	TUBE WLDMT-BOOM,HV,30.00	
5	AG260241	1	TUBE WLDMT-BOOM,HV,60.00	
6	AG260461	4	BRKT-MTG,TUBE,PLMB,BOOM	
7	AG260458	7	BRKT-MTG,TUBE,PLMB,BOOM	
8	AG326276	1	BRACKET-HOSE SUPPORT	
9	AG326187	3	BRKT-MTG,TUBE,PLMB,BOOM	
10	AG231204	12	BOLT-U .31-18X1.88X2.63	
11	AG055296	8	CAP-PIPE,1.25NPT PP	
12	AG517858	14	VALVE QUIK-STOP1.00NPTX0.75NPT	SEE PAGE 4-52
13	AG051186	2	BARB-HOSE,1.25MNPTX1.25BARB,PP	
14	AG051172	2	BSHG-RDCR,HEX,1.25X1.00NPT,PP	
15	AG051128	2	ELBOW-PIPE,1.25FNPT,90D,PP	
16	AG050257	2	BSHG-RDCR,HEX,1.50X1.00NPT,PP	
17	AG050273	2	TEE,PIPE,1.50FNPT,PP	
18	AG000766	3	BARB-HOSE,1.50MNPTX1.50BARB,PP	
19	AG051534	1	BARB-HOSE,1.50MNPTX1.25BARB,PP	
20	AG518425	14	CLAMP 1.50 BLACK POLY (RTG)	
21	AG561218	3	CLAMP 1.31-2.25 HOSE 28HS	
22	AG561230	3	CLAMP 0.81-1.75 HOSE 20HS	
23	AG561352	1	BOLT-U .38-16X3.50X 4.12RD ZN	
24	AG516403	28	NUT 0.31-18NC HEX SS REG NY	
25	AG562074	28	WASHER 0.31 FL SS REG TYPE-B	
26	AG563061	26	BOLT 0.25-20NCX 3.25 SS HHD	
27	AG515121	56	WASHER 0.25 FL SS REG TYPE-B	
28	AG027275	28	NUT 0.25-20NC HEX SS REG NY	
29	AG512230	-	HOSE 1.50 2BRD EPDM [BULK: 8.663 FT]	
30	AG513393	-	HOSE 1.25 2BRD EPDM [BULK: 7.700 FT]	
32	AG522562	4	NUT-.38-16,SS,SFLG,H	
33	AG609113	AR	SEALANT PIPE PST567 S.S. 250CC	
34	AG518507	2	BOLT 0.25-20NCX 3.50 SS HHD	
35	AG261322	2	BOLT-U .31-18X1.56X 2.97SQ,SS	



503464-E.tif

PLMB INSTL-HV,BOOM,RH,80

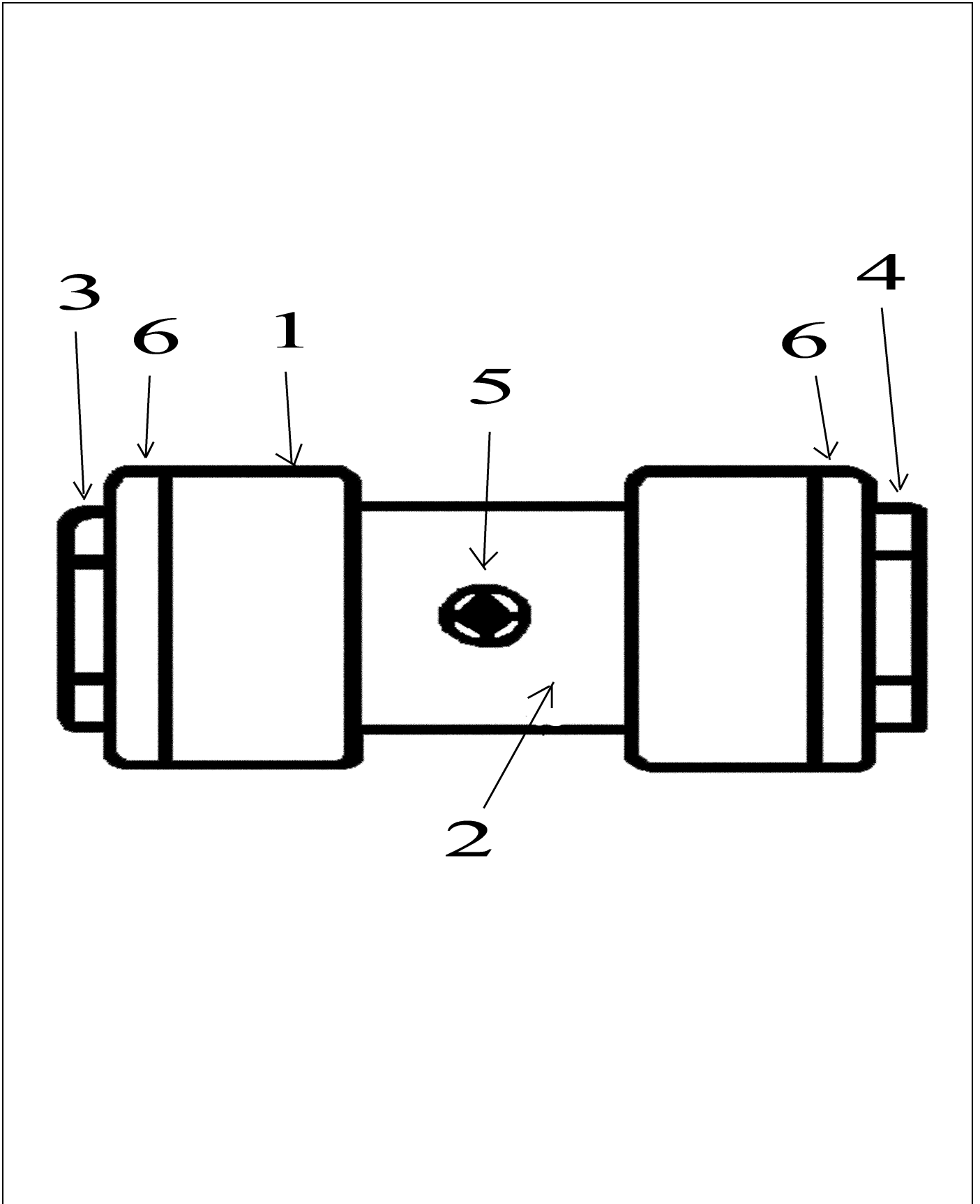
ITEM	PART #	QTY	DESCRIPTION	COMMENTS
1	AG423007	1	TUBE WLDMT-BOOM,HV,90.00	
2	AG423384	1	TUBE WLDMT-BOOM,HV,120	
4	AG260239	1	TUBE WLDMT-BOOM,HV,30.00	
5	AG260241	1	TUBE WLDMT-BOOM,HV,60.00	
6	AG260461	4	BRKT-MTG,TUBE,PLMB,BOOM	
7	AG260458	7	BRKT-MTG,TUBE,PLMB,BOOM	
8	AG326276	1	BRACKET-HOSE SUPPORT	
9	AG326187	3	BRKT-MTG,TUBE,PLMB,BOOM	
10	AG231204	12	BOLT-U .31-18X1.88X2.63	
11	AG055296	8	CAP-PIPE,1.25NPT PP	
12	AG517858	14	VALVE QUIK-STOP1.00NPTX0.75NPT	SEE PAGE 4-52
13	AG051186	2	BARB-HOSE,1.25MNPTX1.25BARB,PP	
14	AG051172	2	BSHG-RDCR,HEX,1.25X1.00NPT,PP	
15	AG051128	2	ELBOW-PIPE,1.25FNPT,90D,PP	
16	AG050257	2	BSHG-RDCR,HEX,1.50X1.00NPT,PP	
17	AG050273	2	TEE,PIPE,1.50FNPT,PP	
18	AG000766	2	BARB-HOSE,1.50MNPTX1.50BARB,PP	
19	AG051534	1	BARB-HOSE,1.50MNPTX1.25BARB,PP	
20	AG518425	14	CLAMP 1.50 BLACK POLY (RTG)	
21	AG561218	3	CLAMP 1.31-2.25 HOSE 28HS	
22	AG561230	3	CLAMP 0.81-1.75 HOSE 20HS	
23	AG561352	1	BOLT-U .38-16X3.50X 4.12RD ZN	
24	AG516403	28	NUT 0.31-18NC HEX SS REG NY	
25	AG562074	28	WASHER 0.31 FL SS REG TYPE-B	
26	AG563061	26	BOLT 0.25-20NCX 3.25 SS HHD	
27	AG515121	56	WASHER 0.25 FL SS REG TYPE-B	
28	AG027275	28	NUT 0.25-20NC HEX SS REG NY	
29	AG512230	-	HOSE 1.50 2BRD EPDM [BULK: 9.362 FT]	
30	AG513393	-	HOSE 1.25 2BRD EPDM [BULK: 6.999 FT]	
32	AG522562	4	NUT-.38-16,SS,SFLG,H	
33	AG609113	AR	SEALANT PIPE PST567 S.S. 250CC	
34	AG518507	2	BOLT 0.25-20NCX 3.50 SS HHD	
35	AG261322	2	BOLT-U .31-18X1.56X 2.97SQ,SS	



503467-07-M391-.TIF

PLMB INSTL-HV,BOOM,CENTER

ITEM	PART #	QTY	DESCRIPTION	COMMENTS
1	AG231204	3	BOLT-U .31-18X1.88X2.63	
2	AG512230	-	HOSE 1.50 2BRD EPDM [BULK: 42.700 FT]	
3	AG513466	-	HOSE-1.50,LIQ PROD.SUC & DIS [BULK: 15.500 FT]	
4	AG051443	1	CROSS-PIPE,1.50FNPT,PP	
5	AG513393	-	HOSE 1.25 2BRD EPDM [BULK: 20.125 FT]	
6	AG000766	1	BARB-HOSE,1.50MNPTX1.50BARB,PP	
9	AG050257	1	BSHG-RDCR,HEX,1.50X1.00NPT,PP	
10	AG051534	2	BARB-HOSE,1.50MNPTX1.25BARB,PP	
12	AG260241	1	TUBE WLDMT-BOOM,HV,60.00	
13	AG518425	3	CLAMP 1.50 BLACK POLY (RTG)	
14	AG326225	3	BRKT-MTG,TUBE,PLMB,CTR	
15	AG055296	2	CAP-PIPE,1.25NPT PP	
17	AG129187	AR	PIPE SEALANT-FLEX BLACK	
18	AG563061	6	BOLT 0.25-20NCX 3.25 SS HHD	
19	AG515121	12	WASHER 0.25 FL SS REG TYPE-B	
20	AG027275	6	NUT 0.25-20NC HEX SS REG NY	
21	AG562074	6	WASHER 0.31 FL SS REG TYPE-B	
22	AG516403	6	NUT 0.31-18NC HEX SS REG NY	
23	AG517858	3	VALVE QUIK-STOP1.00NPTX0.75NPT	SEE PAGE 4-52
24	AG561230	2	CLAMP 0.81-1.75 HOSE 20HS	
25	AG561218	2	CLAMP 1.31-2.25 HOSE 28HS	
26	AG561538	4	CLAMP 1.78-2.09HOSE VOSS-200SS	

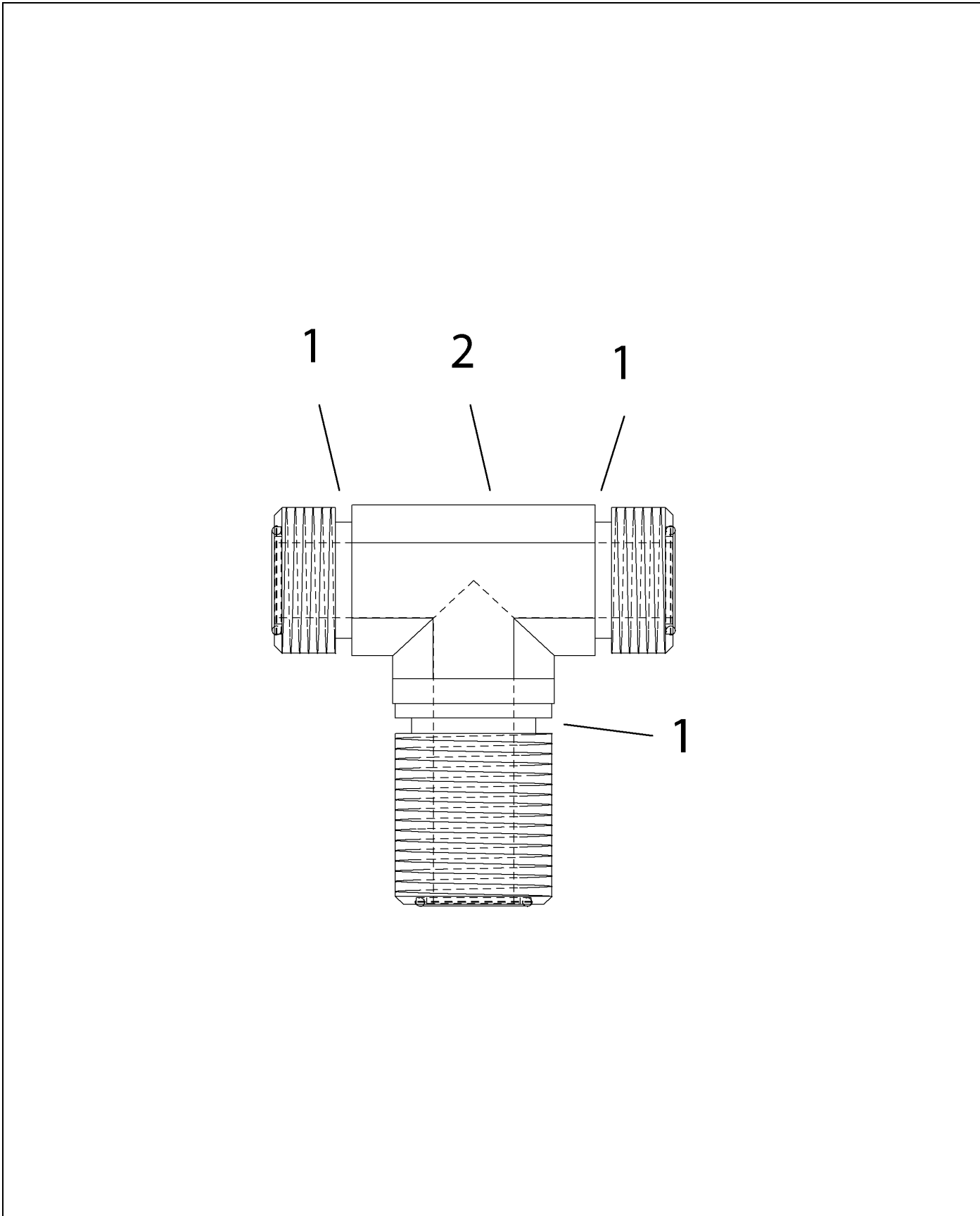


517858---.TIF

VALVE QUIK-STOP1.00NPTX0.75NPT

ITEM	PART #	QTY	DESCRIPTION	COMMENTS
1	AG609470	1	BODY POLY	
2	AG609471	AR	BLADDER RUBBER EPDM	[A]
3	AG609474	1	PLATE END 1.00 NPT FEMALE	
4	AG609475	1	PLATE END 0.75 NPT FEMALE	
5	AG609476	AR	PLUG PIPE 0.25 POLY	
6	AG609477	AR	O RING 0.25	
	FOOTNOTE [A]		AG713739 - TOOL, INSTALLATION	

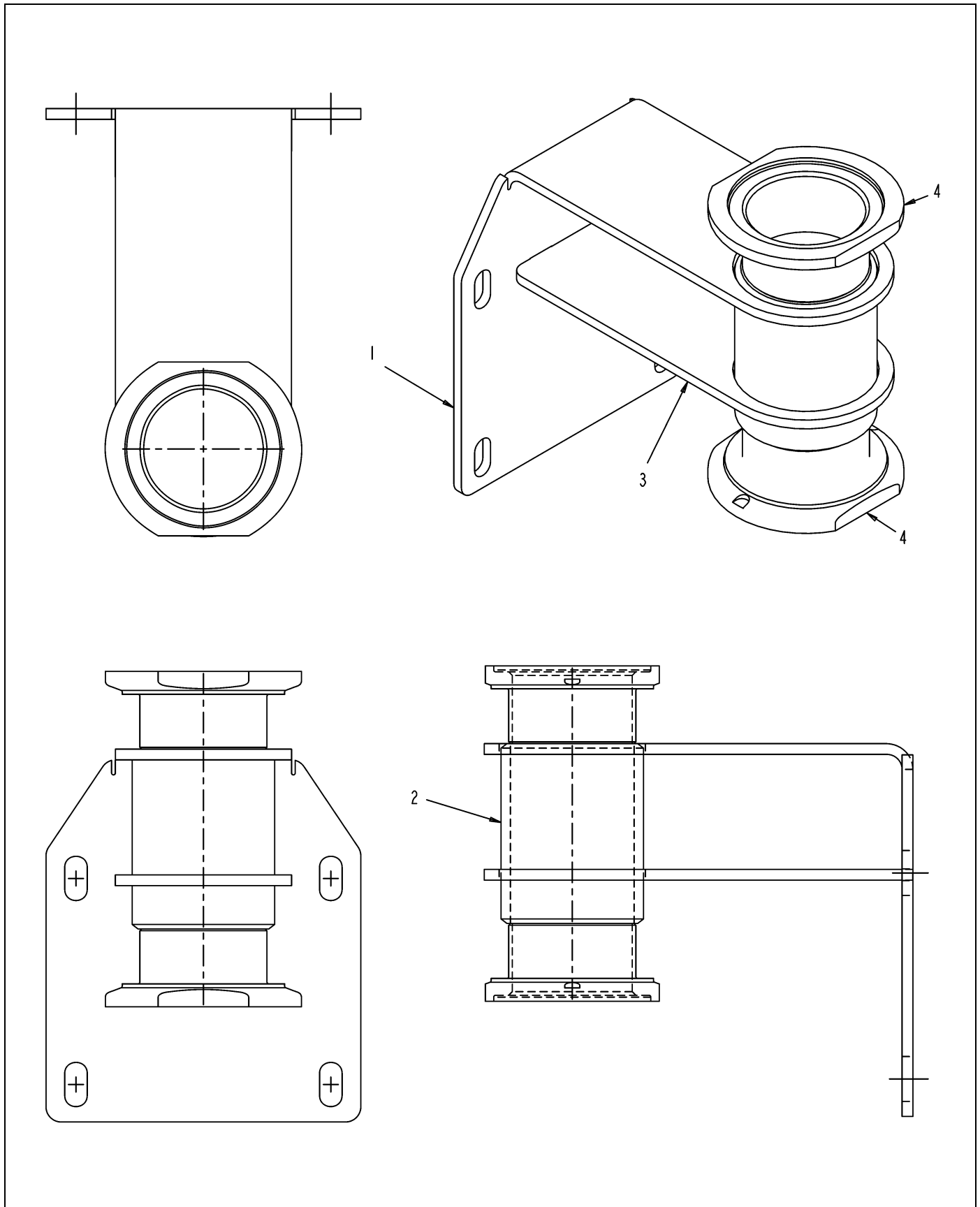
BLKHD BR TEE ASM,-12 ORFS



401320X1-01-R172-.TIF

BLKHD BR TEE ASM,-12 ORFS

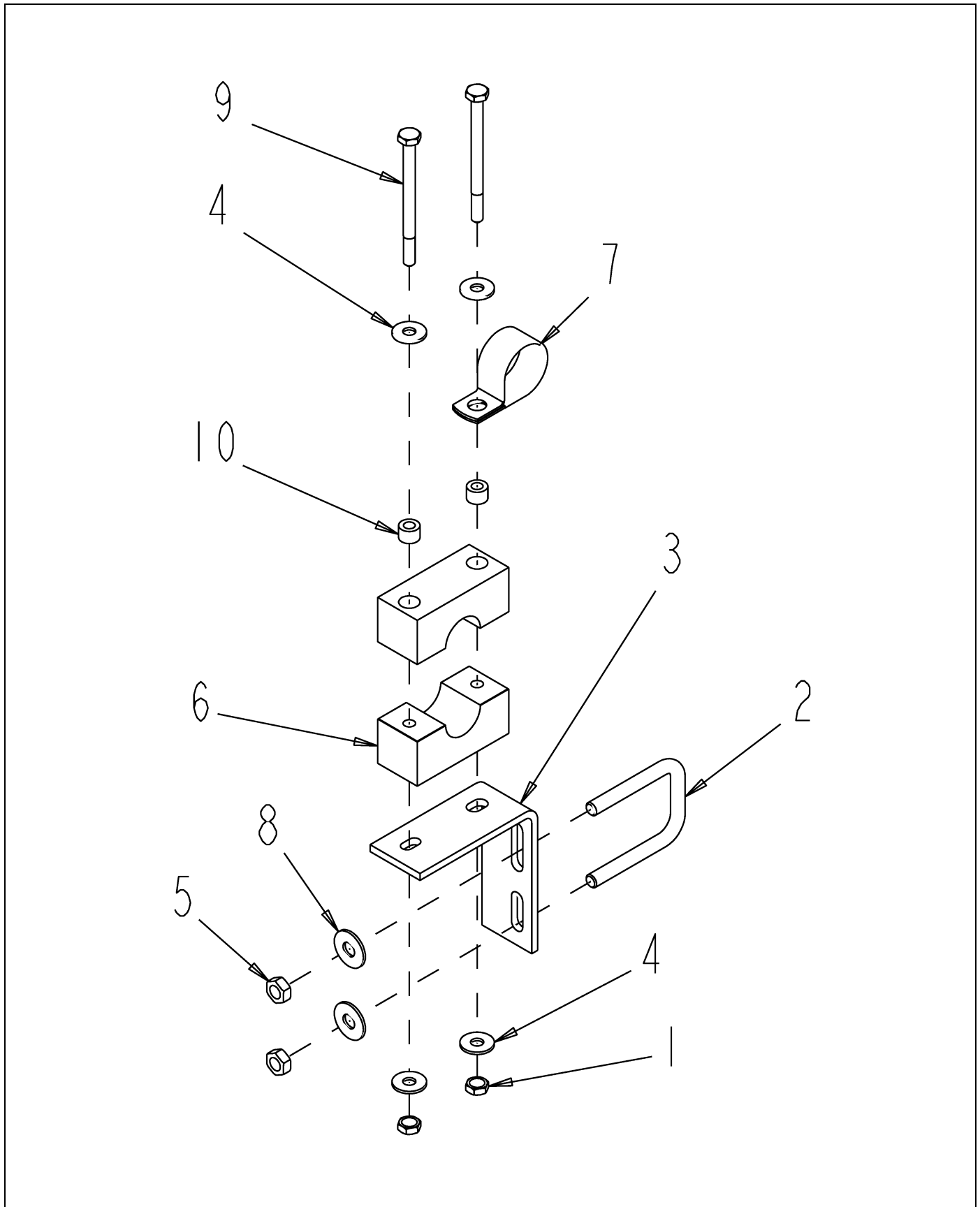
ITEM	PART #	QTY	DESCRIPTION	COMMENTS
1	400366X1	3	SEAL-O-RING 22.5 ODX1.78 DIA	
2	401487X1	1	BLKHD BR TEE,-12 ORFS	



131680-A-L882-.TIF

BRKT WLDMT-MTG,2.00X2.00 FLG

ITEM	PART #	QTY	DESCRIPTION	COMMENTS
1	AG131681	1	BRKT-MTG,VERT,2.00FP FLG	
2	AG131682	1	NIPPLE-WELD,2.00X3.00 LG	
3	AG131683	1	BRKT-MTG,HORZ,2.00FP FLG	
4	AG523526	2	ADPTR-2.0FLG,FPXNO THD,316SS	

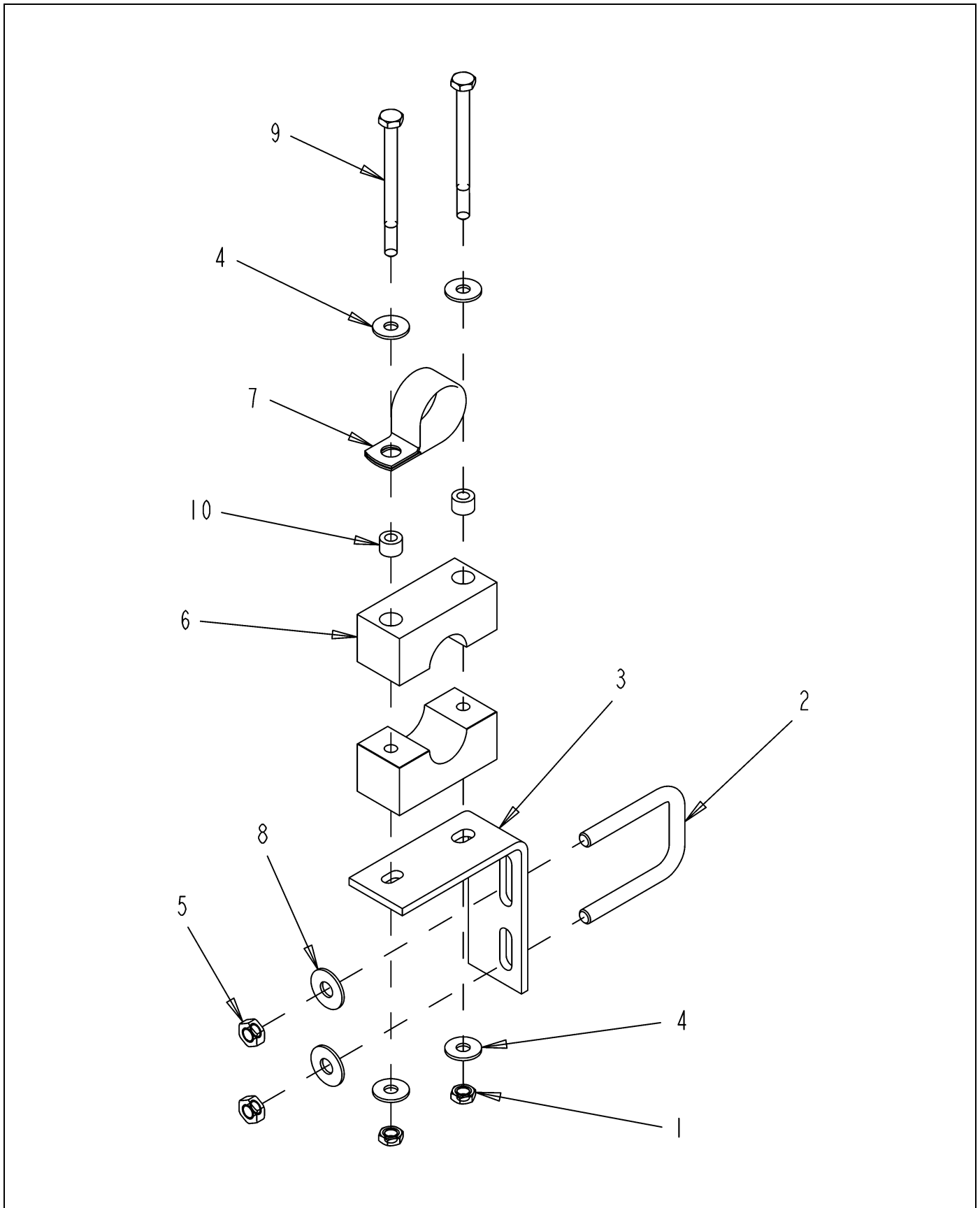


122328-C.TIF

BRKT ASM-L REV/P CLP STD U

ITEM	PART #	QTY	DESCRIPTION	COMMENTS
1	AG027275	2	NUT 0.25-20NC HEX SS REG NY	
2	AG231204	1	BOLT-U .31-18X1.88X2.63	
3	AG232784	1	BRACKET STAND OFF WET BOOM	
4	AG515121	4	WASHER 0.25 FL SS REG TYPE-B	
5	AG516403	2	NUT 0.31-18NC HEX SS REG NY	
6	AG518326	1	CLAMP 3/4 INCH PIPE (RTG)	
7	AG560480	1	CLAMP 1.25-COATED HOSE CO	
8	AG562074	2	WASHER 0.31 FL SS REG TYPE-B	
9	AG563061	2	BOLT 0.25-20NCX 3.25 SS HHD	
10	AG609777	2	INSERT STAUFF SPACER	

BRKT ASM-L W/P CLP,STD UBOLT

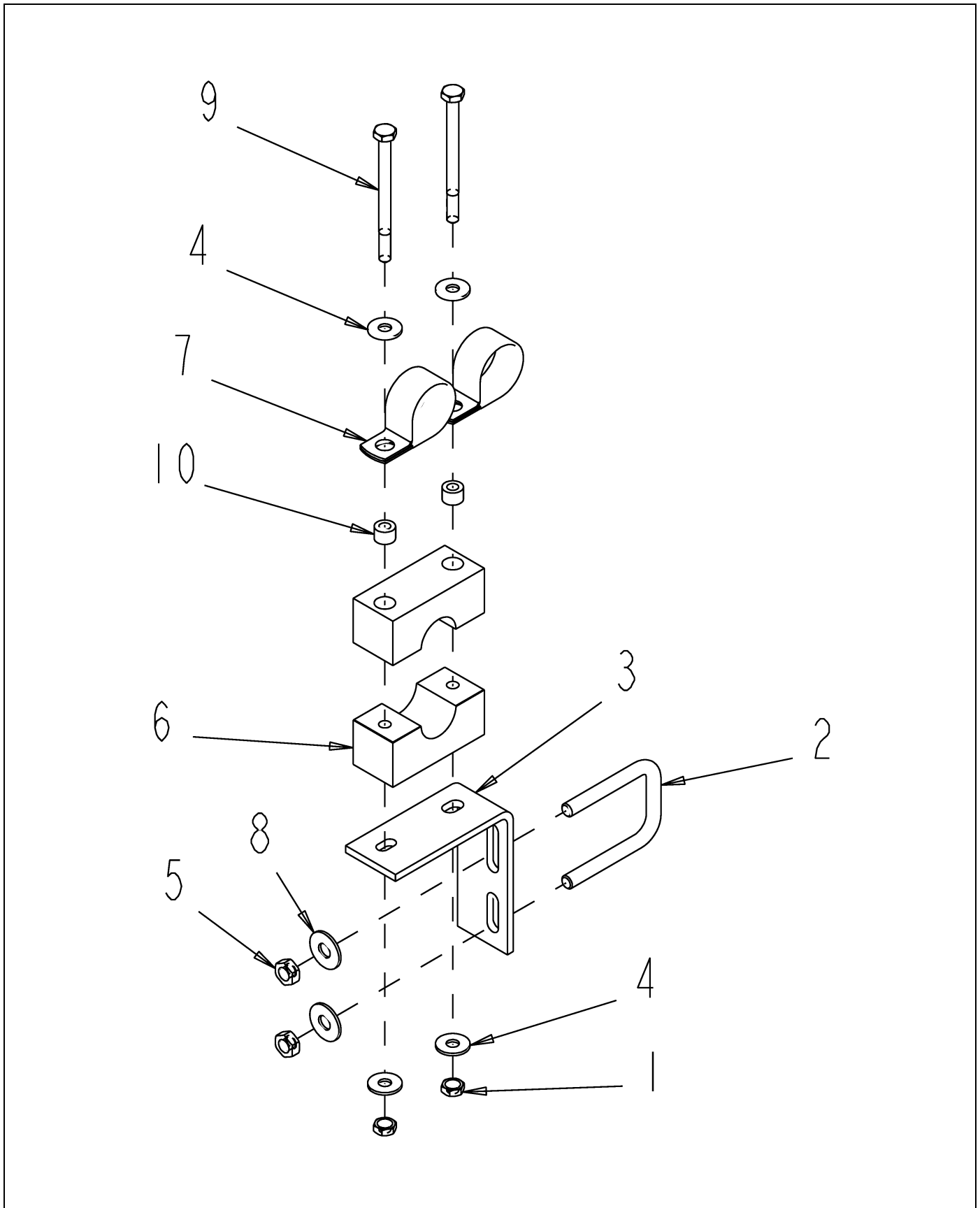


122329-B-J603-.TIF

BRKT ASM-L W/P CLP,STD UBOLT

ITEM	PART #	QTY	DESCRIPTION	COMMENTS
1	AG027275	2	NUT 0.25-20NC HEX SS REG NY	
2	AG231204	1	BOLT-U .31-18X1.88X2.63	
3	AG232784	1	BRACKET STAND OFF WET BOOM	
4	AG515121	4	WASHER 0.25 FL SS REG TYPE-B	
5	AG516403	2	NUT 0.31-18NC HEX SS REG NY	
6	AG518326	1	CLAMP 3/4 INCH PIPE (RTG)	
7	AG560480	1	CLAMP 1.25-COATED HOSE CO	
8	AG562074	2	WASHER 0.31 FL SS REG TYPE-B	
9	AG563061	2	BOLT 0.25-20NCX 3.25 SS HHD	
10	AG609777	2	INSERT STAUFF SPACER	

BRKT ASM-L W/2 P CLP,STD UBOLT

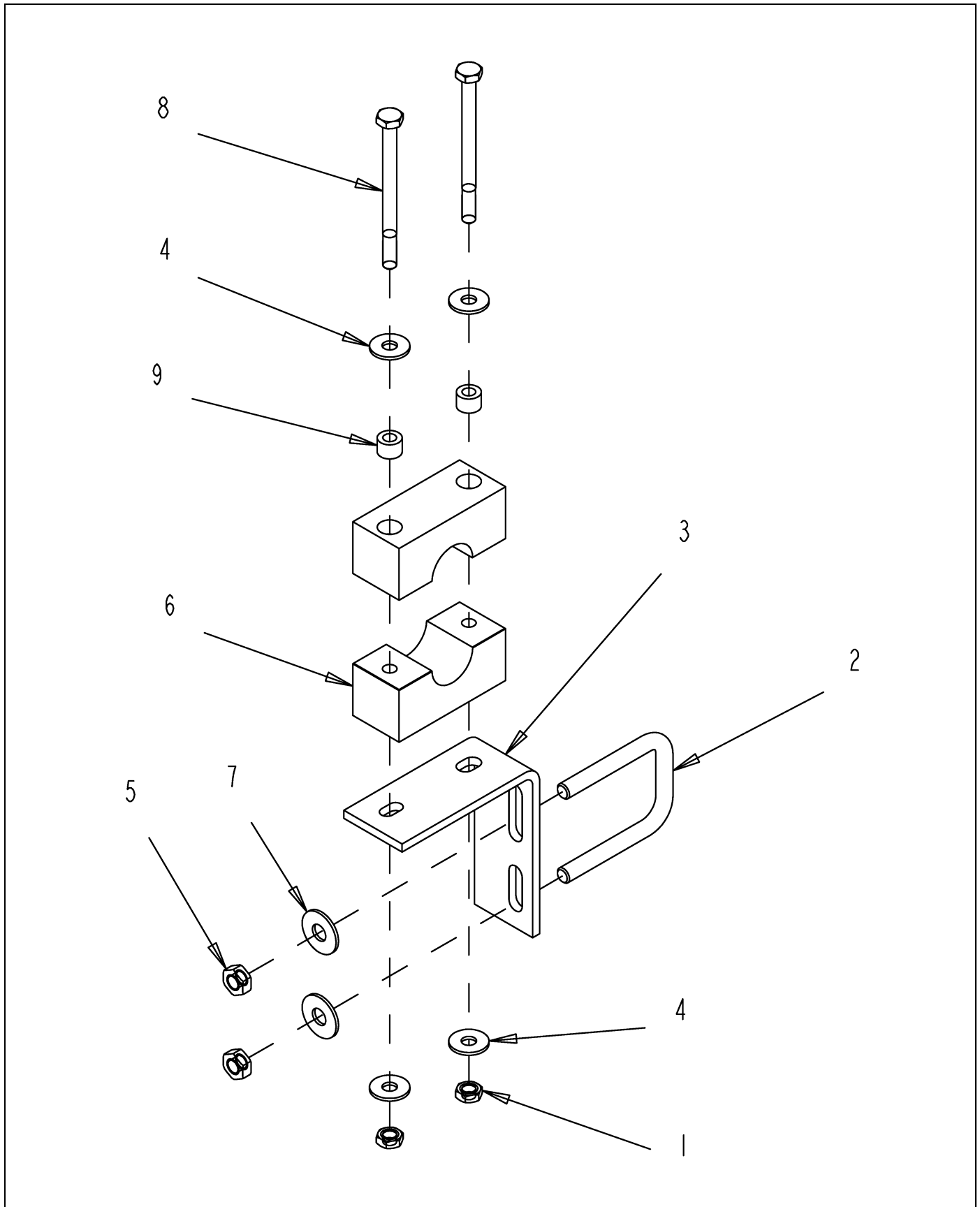


122330-B.TIF

BRKT ASM-L W/2 P CLP,STD UBOLT

ITEM	PART #	QTY	DESCRIPTION	COMMENTS
1	AG027275	2	NUT 0.25-20NC HEX SS REG NY	
2	AG231204	1	BOLT-U .31-18X1.88X2.63	
3	AG232784	1	BRACKET STAND OFF WET BOOM	
4	AG515121	4	WASHER 0.25 FL SS REG TYPE-B	
5	AG516403	2	NUT 0.31-18NC HEX SS REG NY	
6	AG518326	1	CLAMP 3/4 INCH PIPE (RTG)	
7	AG560480	2	CLAMP 1.25-COATED HOSE CO	
8	AG562074	2	WASHER 0.31 FL SS REG TYPE-B	
9	AG563061	2	BOLT 0.25-20NCX 3.25 SS HHD	
10	AG609777	2	INSERT STAUFF SPACER	

BRKT ASM-L,STD UBOLT



122331-B.TIF

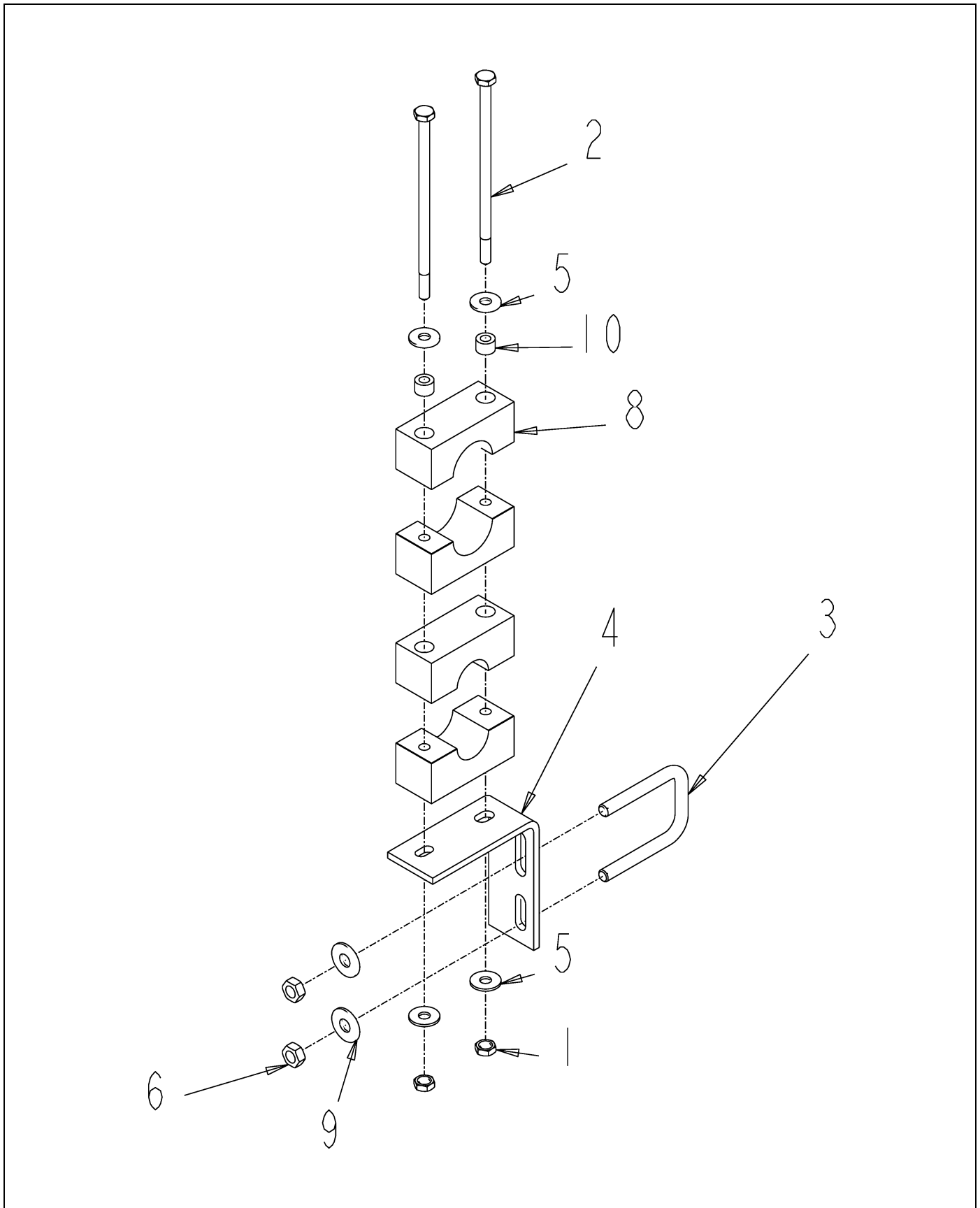
BRKT ASM-L,STD UBOLT

ITEM	PART #	QTY	DESCRIPTION	COMMENTS
1	AG027275	2	NUT 0.25-20NC HEX SS REG NY	
2	AG231204	1	BOLT-U .31-18X1.88X2.63	
3	AG232784	1	BRACKET STAND OFF WET BOOM	
4	AG515121	4	WASHER 0.25 FL SS REG TYPE-B	
5	AG516403	2	NUT 0.31-18NC HEX SS REG NY	
6	AG518326	1	CLAMP 3/4 INCH PIPE (RTG)	
7	AG562074	2	WASHER 0.31 FL SS REG TYPE-B	
8	AG563061	2	BOLT 0.25-20NCX 3.25 SS HHD	
9	AG609777	2	INSERT STAUFF SPACER	

BRKT ASM-L,PP STAUFF,LG U BOLT

ITEM	PART #	QTY	DESCRIPTION	COMMENTS
1	AG027275	2	NUT 0.25-20NC HEX SS REG NY	
2	AG122992	2	BOLT 0.25-20NCX 5.25 SS HHD	
3	AG232784	1	BRACKET STAND OFF WET BOOM	
4	AG261322	1	BOLT-U .31-18X1.56X 2.97SQ,SS	
5	AG515121	4	WASHER 0.25 FL SS REG TYPE-B	
6	AG516403	2	NUT 0.31-18NC HEX SS REG NY	
7	AG518326	1	CLAMP 3/4 INCH PIPE (RTG)	
8	AG519748	1	CLAMP 1.00 PIPE	[A]
9	AG562074	2	WASHER 0.31 FL SS REG TYPE-B	
10	AG609777	2	INSERT STAUFF SPACER	
	FOOTNOTE [A]		2 INSERTS AND 2 CLAMP MAKE UP 1 PART. BOLT - AG563061, WASHER - AG515121, NUT - AG027275,	

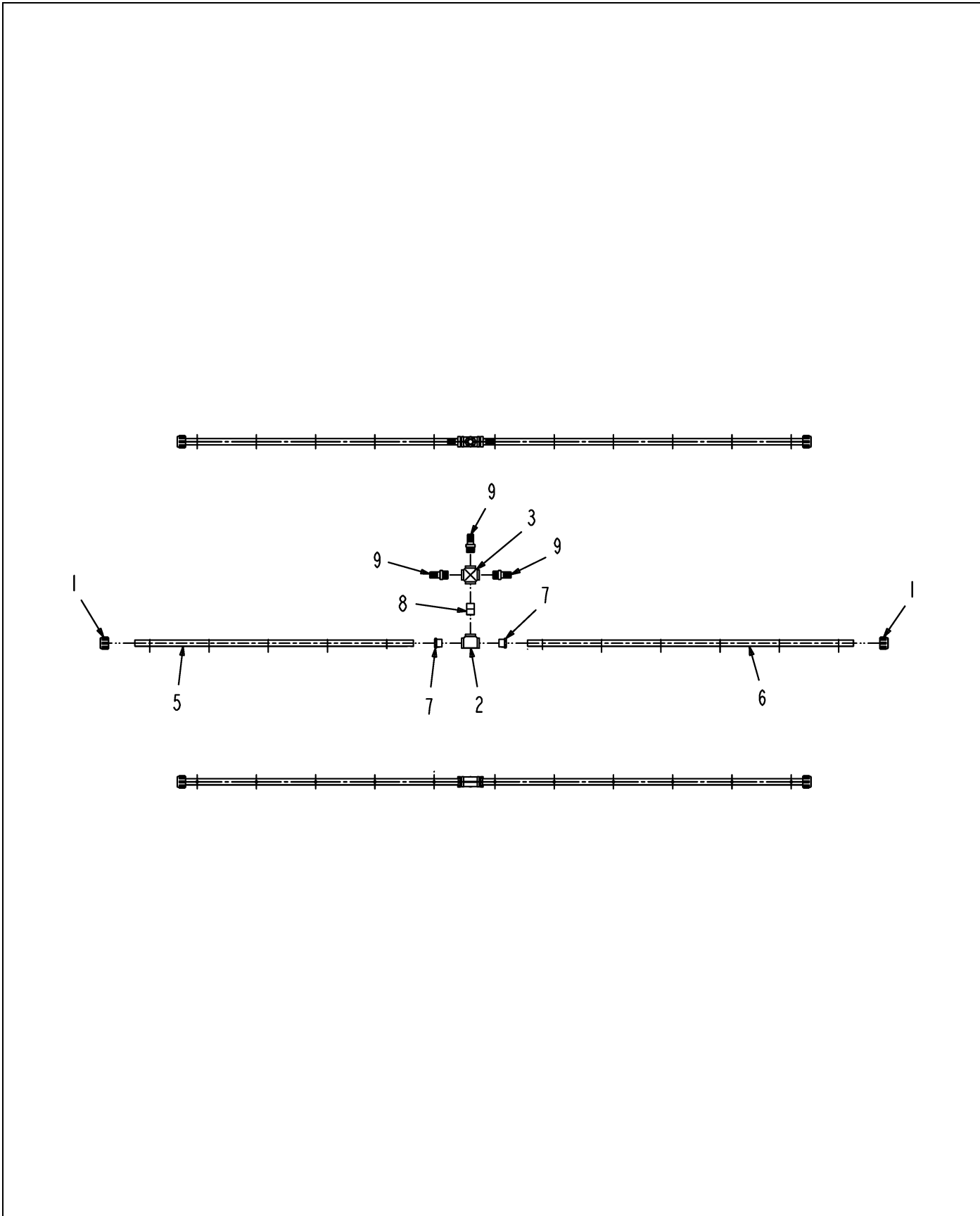
BRKT ASM-L,2 STAUFF,STD U



122514-B.TIF

BRKT ASM-L,2 STAUFF,STD U

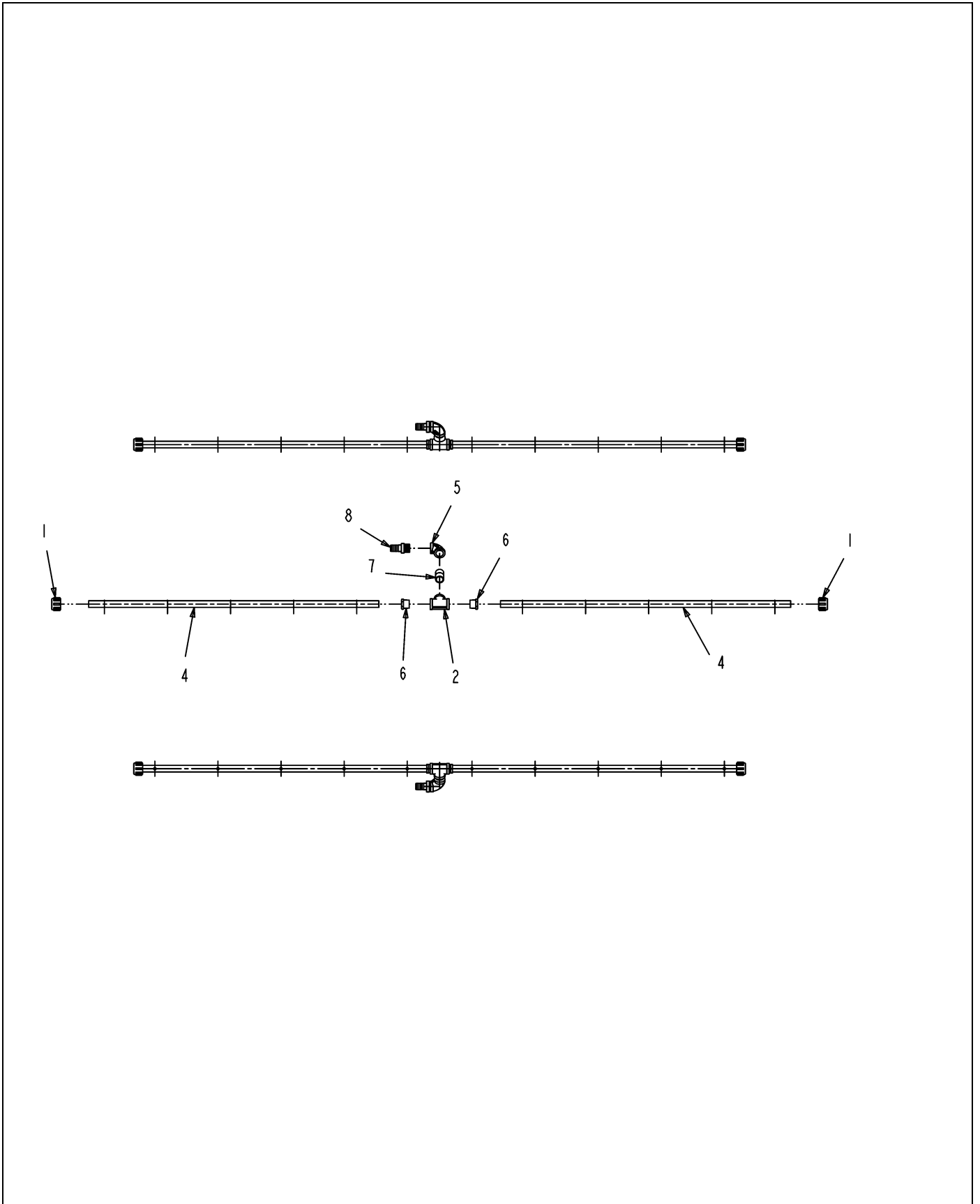
ITEM	PART #	QTY	DESCRIPTION	COMMENTS
1	AG027275	2	NUT 0.25-20NC HEX SS REG NY	
2	AG122992	2	BOLT 0.25-20NCX 5.25 SS HHD	
3	AG231204	1	BOLT-U .31-18X1.88X2.63	
4	AG232784	1	BRACKET STAND OFF WET BOOM	
5	AG515121	4	WASHER 0.25 FL SS REG TYPE-B	
6	AG516403	2	NUT 0.31-18NC HEX SS REG NY	
8	AG519748	1	CLAMP 1.00 PIPE	[A]
9	AG562074	2	WASHER 0.31 FL SS REG TYPE-B	
10	AG609777	2	INSERT STAUFF SPACER	
	FOOTNOTE [A]		2 INSERTS AND 2 CLAMP MAKE UP 1 PART. BOLT - AG563061, WASHER - AG515121, NUT - AG027275,	



134620-A.tif

PIPE ASM-X W/3 1.00HB,11X10,SS

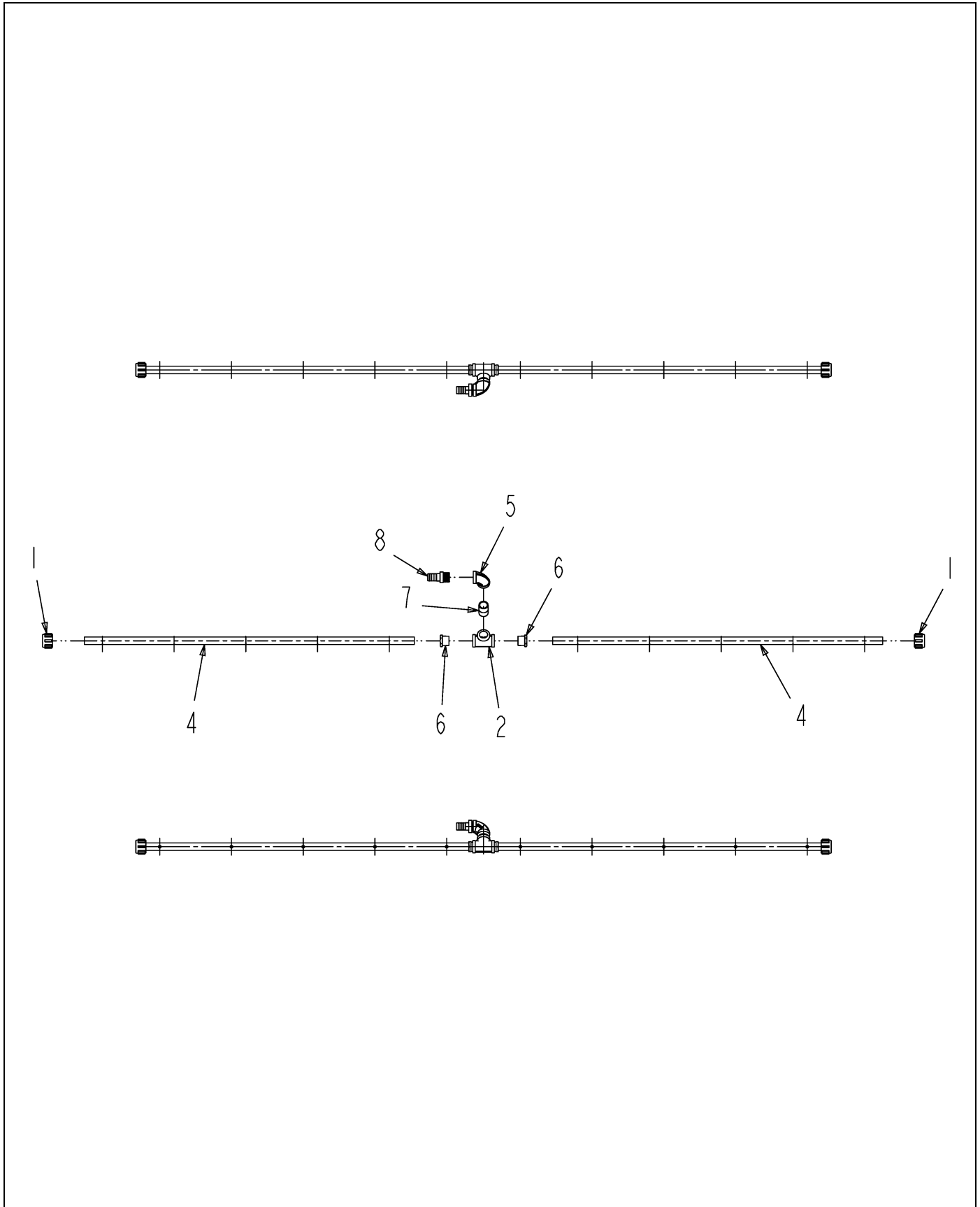
ITEM	PART #	QTY	DESCRIPTION	COMMENTS
1	AG051535	2	CAP-PIPE,0.75NPT PP	
2	AG051884	1	TEE 1.00 304SS	
3	AG051910	1	CROSS 1.00 TYPE 304SS	
4	AG129187	AR	PIPE SEALANT-FLEX BLACK	
5	AG217597	1	TUBE BOOM 10 INNER 47.00	
6	AG217598	1	TUBE BOOM REAR RIGHT 55.00 IN	
7	AG562712	2	BUSHING 1.00MNPTX0.75FNPT 304S	
8	AG710516	1	NIPPLE 1.00NPTX 1.50CLS 304SS	
9	AG845079	3	NIPPLE KING 1.00 316SS	



134621-A.tif

PIPE ASM-90D W/1HB,10X10,SS,LH

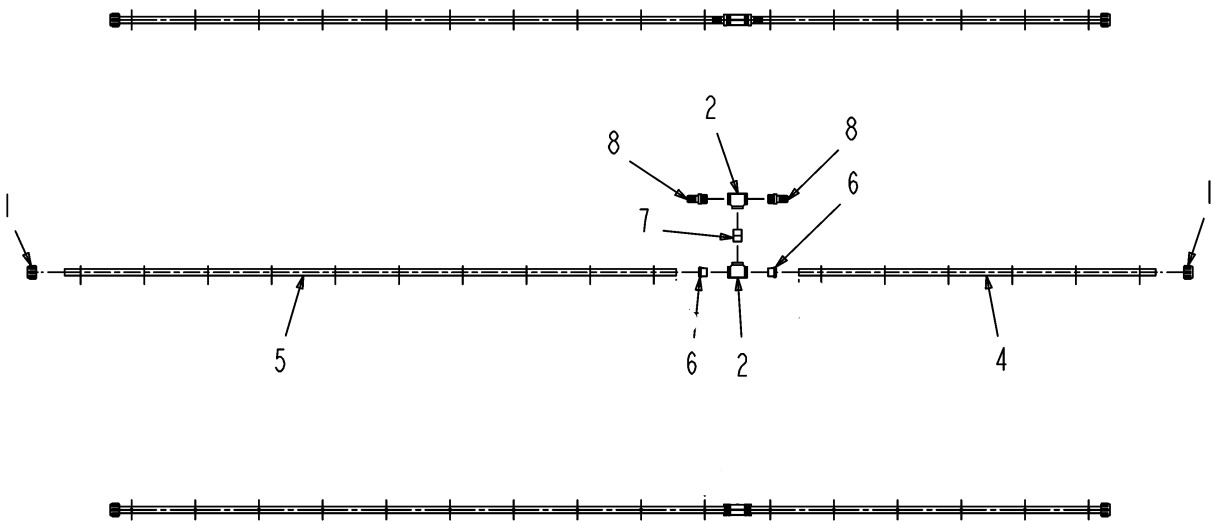
ITEM	PART #	QTY	DESCRIPTION	COMMENTS
1	AG051535	2	CAP-PIPE,0.75NPT PP	
2	AG051884	1	TEE 1.00 304SS	
3	AG129187	AR	PIPE SEALANT-FLEX BLACK	
4	AG217599	2	TUBE BOOM INNER	
5	AG562304	1	ELBOW 90D 1.00X1.00 S.S. 304	
6	AG562712	2	BUSHING 1.00MNPTX0.75FNPT 304S	
7	AG710516	1	NIPPLE 1.00NPTX 1.50CLS 304SS	
8	AG845079	1	NIPPLE KING 1.00 316SS	



134622-A.TIF

PIPE ASM-90D W/1HB,10X10,SS,RH

ITEM	PART #	QTY	DESCRIPTION	COMMENTS
1	AG051535	2	CAP-PIPE,0.75NPT PP	
2	AG051884	1	TEE 1.00 304SS	
3	AG129187	AR	PIPE SEALANT-FLEX BLACK	
4	AG217599	2	TUBE BOOM INNER	
5	AG562304	1	ELBOW 90D 1.00X1.00 S.S. 304	
6	AG562712	2	BUSHING 1.00MNPTX0.75FNPT 304S	
7	AG710516	1	NIPPLE 1.00NPTX 1.50CLS 304SS	
8	AG845079	1	NIPPLE KING 1.00 316SS	

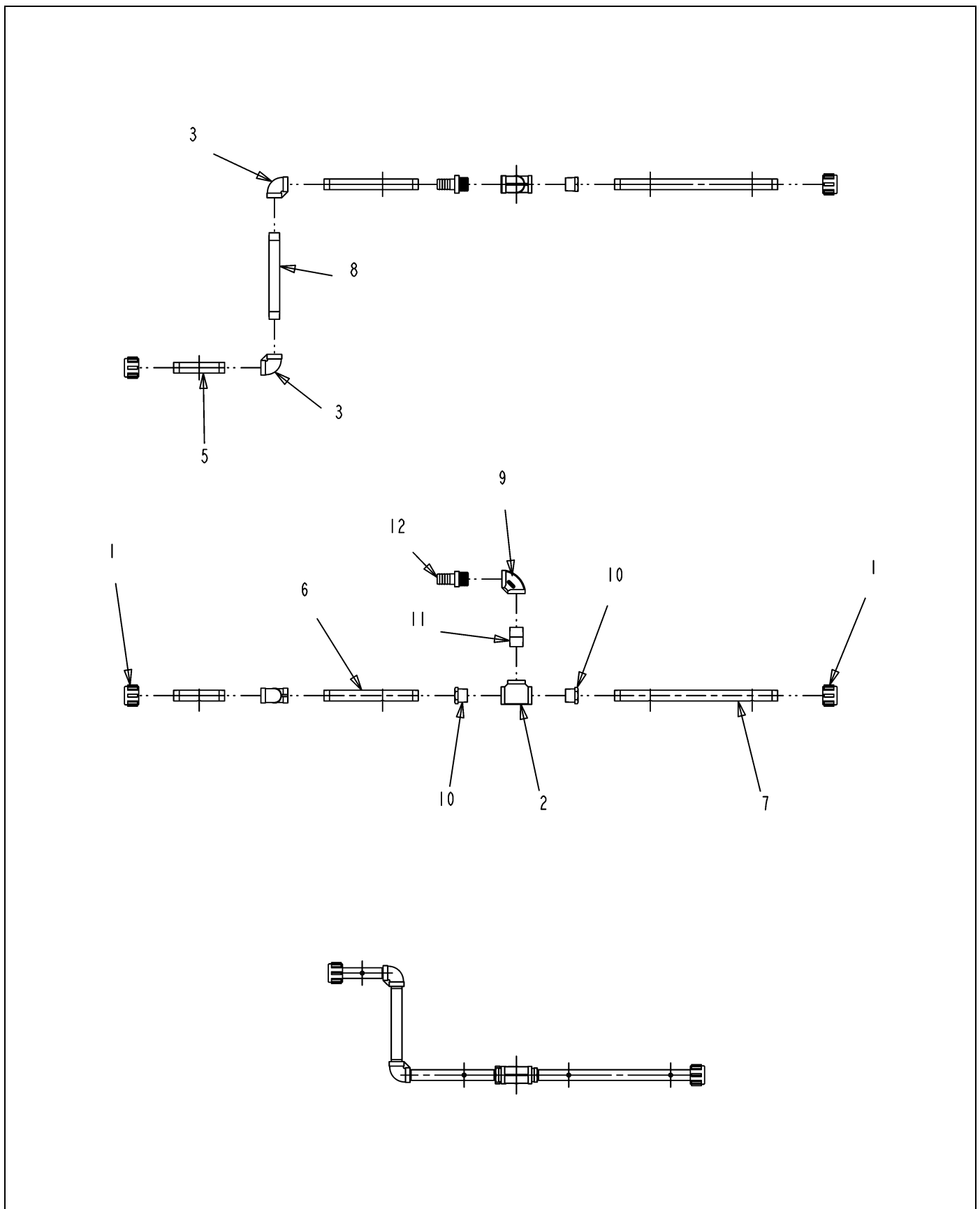


134623-A.tif

PIPE ASM-T W/2 1.00HB,16X10,SS

ITEM	PART #	QTY	DESCRIPTION	COMMENTS
1	AG051535	2	CAP-PIPE,0.75NPT PP	
2	AG051884	2	TEE 1.00 304SS	
3	AG129187	AR	PIPE SEALANT-FLEX BLACK	
4	AG217605	1	TUBE BOOM TIP OUTER 56.00 IN	
5	AG232940	1	TUBE BOOM MIDDLE IN 96.00	
6	AG562712	2	BUSHING 1.00MNPTX0.75FNPT 304S	
7	AG710516	1	NIPPLE 1.00NPTX 1.50CLS 304SS	
8	AG845079	2	NIPPLE KING 1.00 316SS	

PIPE ASM-90D W/1HB,4X10,SS,RH

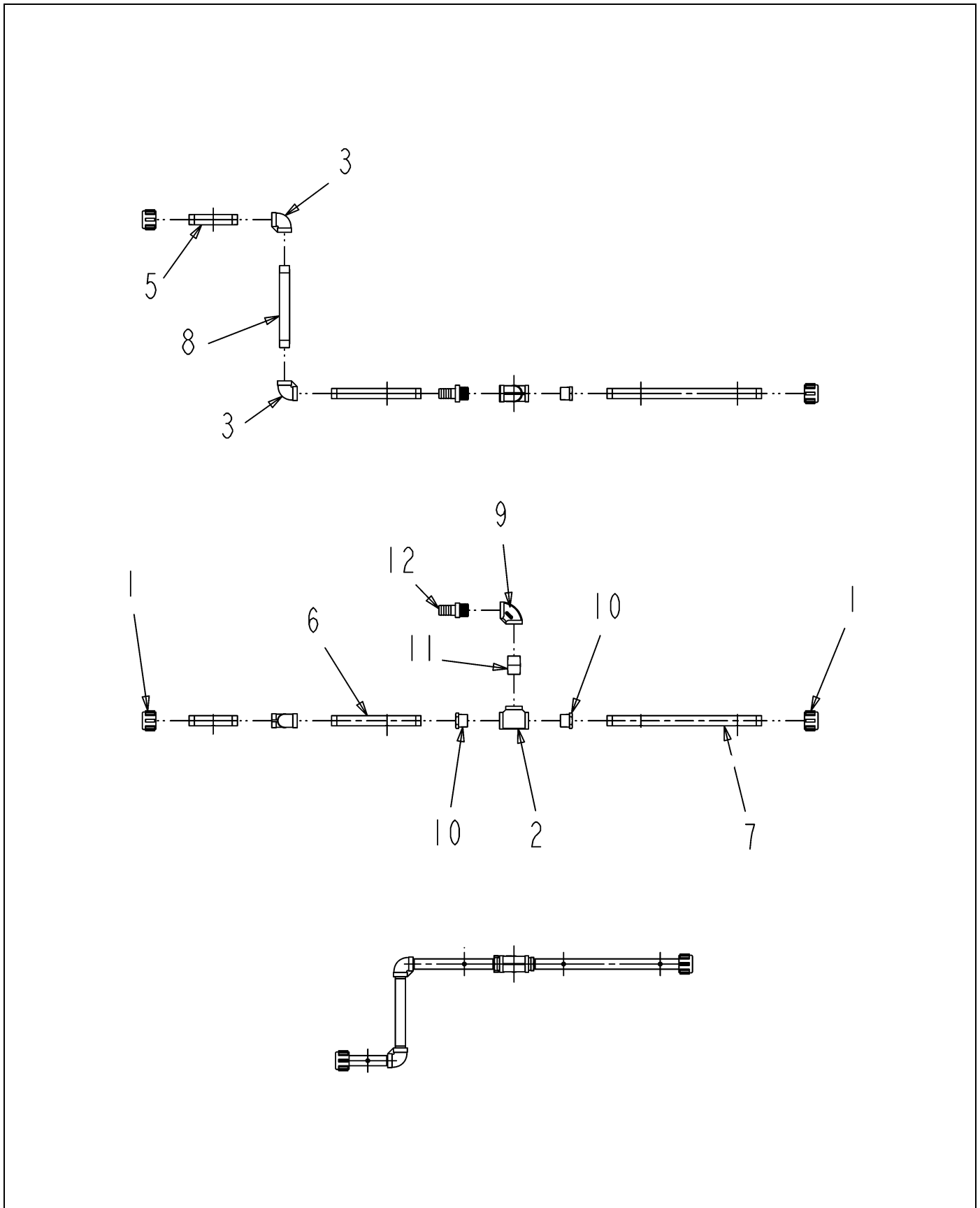


134624-A.TIF

PIPE ASM-90D W/1HB,4X10,SS,RH

ITEM	PART #	QTY	DESCRIPTION	COMMENTS
1	AG051535	2	CAP-PIPE,0.75NPT PP	
2	AG051884	1	TEE 1.00 304SS	
3	AG051932	2	ELBOW 90D 0.75 304SS	
4	AG129187	AR	PIPE SEALANT-FLEX BLACK	
5	AG217494	1	TUBE BREAK STUB 5.00	
6	AG517602	1	CONNECTOR MA 6 WAY 150 SEALED	
7	AG217603	1	TUBE BOOM BREAKAWAY 16.00	
8	AG217610	1	TUBE BOOM BREAKAWAY	
9	AG562304	1	ELBOW 90D 1.00X1.00 S.S. 304	
10	AG562712	2	BUSHING 1.00MNPTX0.75FNPT 304S	
11	AG710516	1	NIPPLE 1.00NPTX 1.50CLS 304SS	
12	AG845079	1	NIPPLE KING 1.00 316SS	

PIPE ASM-90D W/1HB,4X10,SS,LH

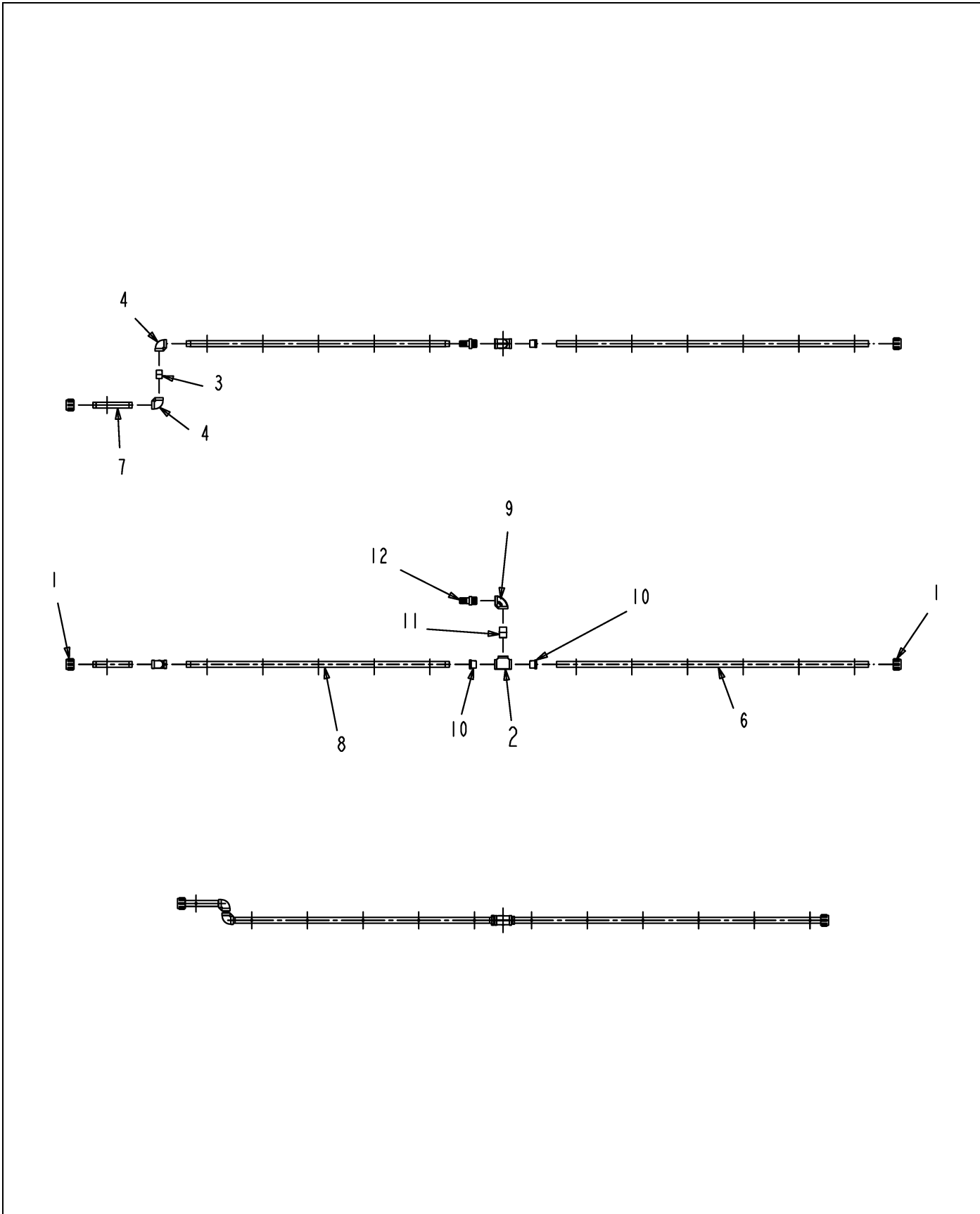


134625-A.tif

PIPE ASM-90D W/1HB,4X10,SS,LH

ITEM	PART #	QTY	DESCRIPTION	COMMENTS
1	AG051535	2	CAP-PIPE,0.75NPT PP	
2	AG051884	1	TEE 1.00 304SS	
3	AG051932	2	ELBOW 90D 0.75 304SS	
4	AG129187	AR	PIPE SEALANT-FLEX BLACK	
5	AG217494	1	TUBE BREAK STUB 5.00	
6	AG517602	1	CONNECTOR MA 6 WAY 150 SEALED	
7	AG217603	1	TUBE BOOM BREAKAWAY 16.00	
8	AG217610	1	TUBE BOOM BREAKAWAY	
9	AG562304	1	ELBOW 90D 1.00X1.00 S.S. 304	
10	AG562712	2	BUSHING 1.00MNPTX0.75FNPT 304S	
11	AG710516	1	NIPPLE 1.00NPTX 1.50CLS 304SS	
12	AG845079	1	NIPPLE KING 1.00 316SS	

PIPE ASM-90D W/1HB,12X10,SS,RH

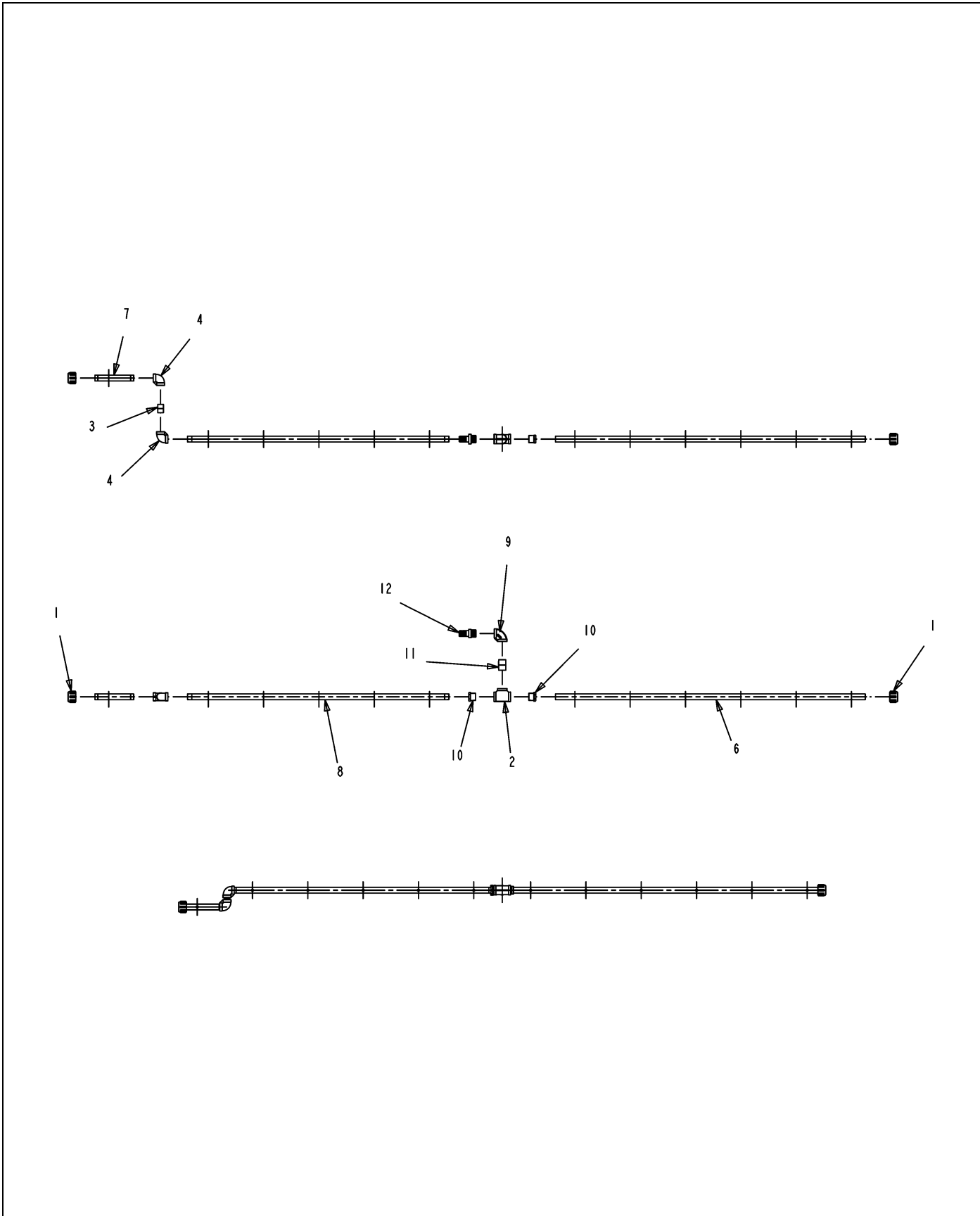


134626-A.TIF

PIPE ASM-90D W/1HB,12X10,SS,RH

ITEM	PART #	QTY	DESCRIPTION	COMMENTS
1	AG051535	2	CAP-PIPE,0.75NPT PP	
2	AG051884	1	TEE 1.00 304SS	
3	AG051903	1	NIPPLE 0.75NPTX 1.37CLS 304SS	
4	AG051932	2	ELBOW 90D 0.75 304SS	
5	AG129187	AR	PIPE SEALANT-FLEX BLACK	
6	AG217605	1	TUBE BOOM TIP OUTER 56.00 IN	
7	AG217611	1	TUBE BREAK STUB 7.00	
8	AG217612	1	TUBE BOOM TIP INNER 47.25	
9	AG562304	1	ELBOW 90D 1.00X1.00 S.S. 304	
10	AG562712	2	BUSHING 1.00MNPTX0.75FNPT 304S	
11	AG710516	1	NIPPLE 1.00NPTX 1.50CLS 304SS	
12	AG845079	1	NIPPLE KING 1.00 316SS	

PIPE ASM-90D W/1HD,12X10,SS,LH

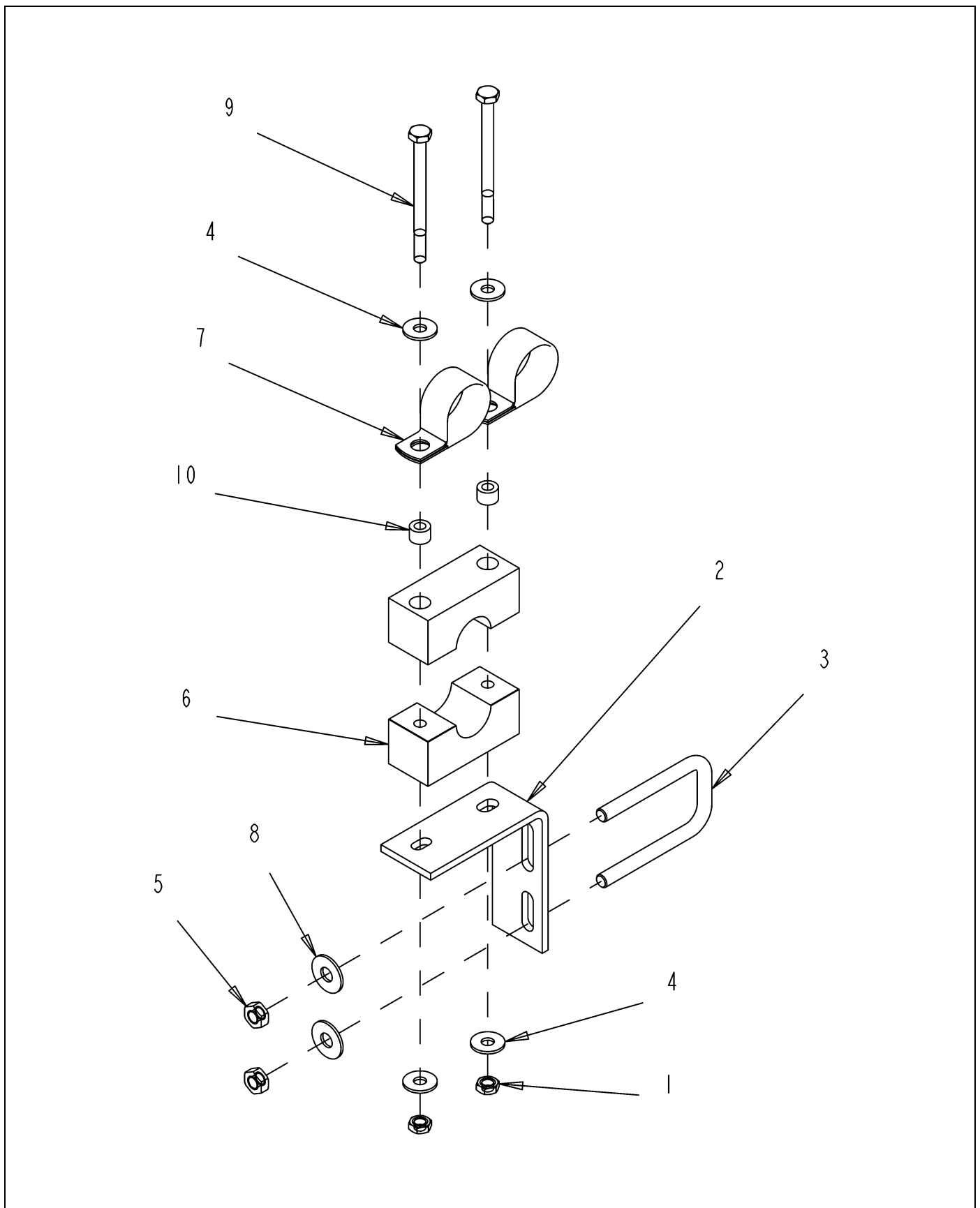


134627-A.TIF

PIPE ASM-90D W/1HD,12X10,SS,LH

ITEM	PART #	QTY	DESCRIPTION	COMMENTS
1	AG051535	2	CAP-PIPE,0.75NPT PP	
2	AG051884	1	TEE 1.00 304SS	
3	AG051903	1	NIPPLE 0.75NPTX 1.37CLS 304SS	
4	AG051932	2	ELBOW 90D 0.75 304SS	
5	AG129187	AR	PIPE SEALANT-FLEX BLACK	
6	AG217605	1	TUBE BOOM TIP OUTER 56.00 IN	
7	AG217611	1	TUBE BREAK STUB 7.00	
8	AG217612	1	TUBE BOOM TIP INNER 47.25	
9	AG562304	1	ELBOW 90D 1.00X1.00 S.S. 304	
10	AG562712	2	BUSHING 1.00MNPTX0.75FNPT 304S	
11	AG710516	1	NIPPLE 1.00NPTX 1.50CLS 304SS	
12	AG845079	1	NIPPLE KING 1.00 316SS	

BRKT ASM-L W/2 P CLP,LG UBOLT

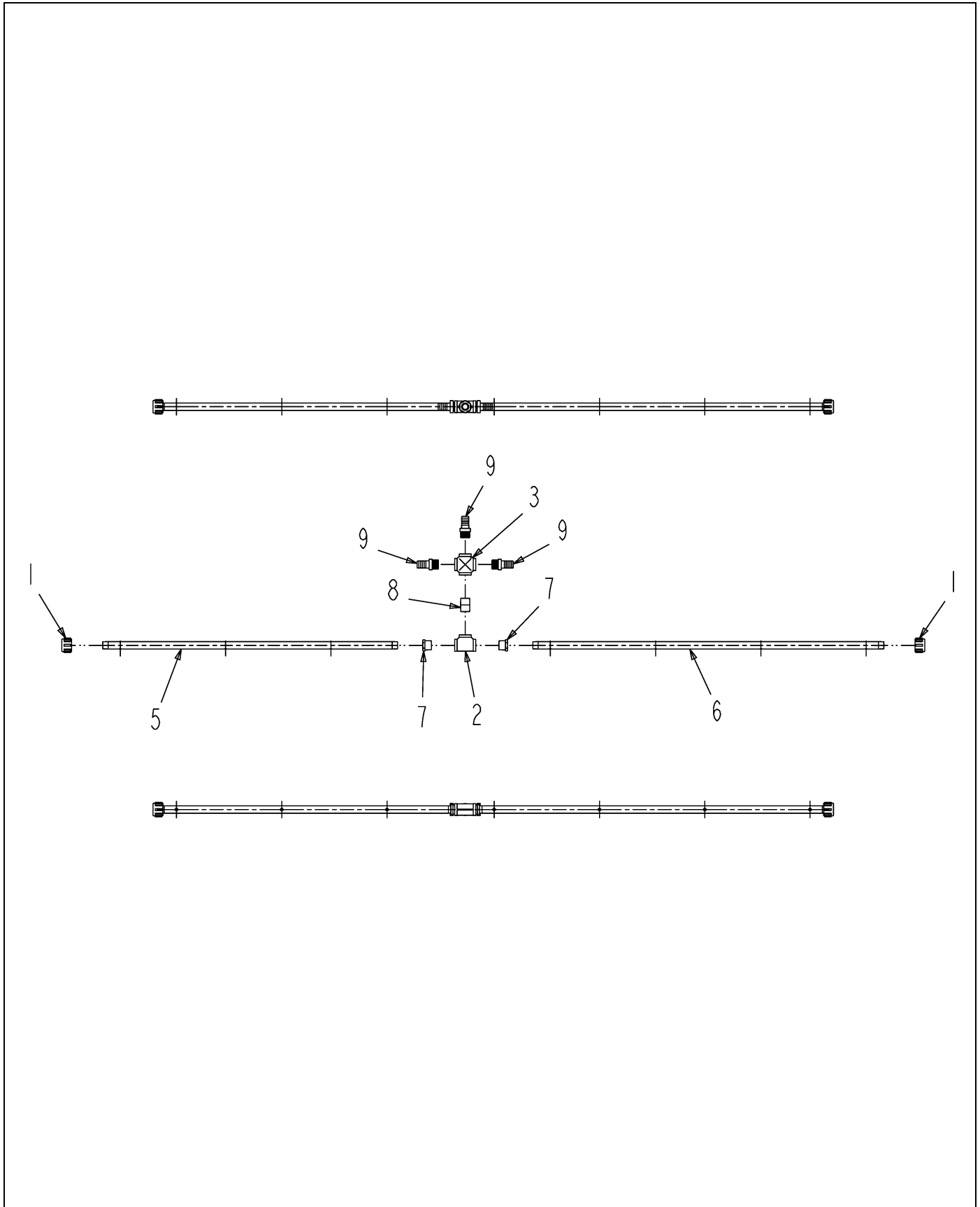


122450-B-1.TIF

BRKT ASM-L W/2 P CLP,LG UBOLT

ITEM	PART #	QTY	DESCRIPTION	COMMENTS
1	AG027275	2	NUT 0.25-20NC HEX SS REG NY	
2	AG232784	1	BRACKET STAND OFF WET BOOM	
3	AG261322	1	BOLT-U .31-18X1.56X 2.97SQ,SS	
4	AG515121	4	WASHER 0.25 FL SS REG TYPE-B	
5	AG516403	2	NUT 0.31-18NC HEX SS REG NY	
6	AG518326	1	CLAMP 3/4 INCH PIPE (RTG)	
7	AG560480	2	CLAMP 1.25-COATED HOSE CO	
8	AG562074	2	WASHER 0.31 FL SS REG TYPE-B	
9	AG563061	2	BOLT 0.25-20NCX 3.25 SS HHD	
10	AG609777	2	INSERT STAUFF SPACER	

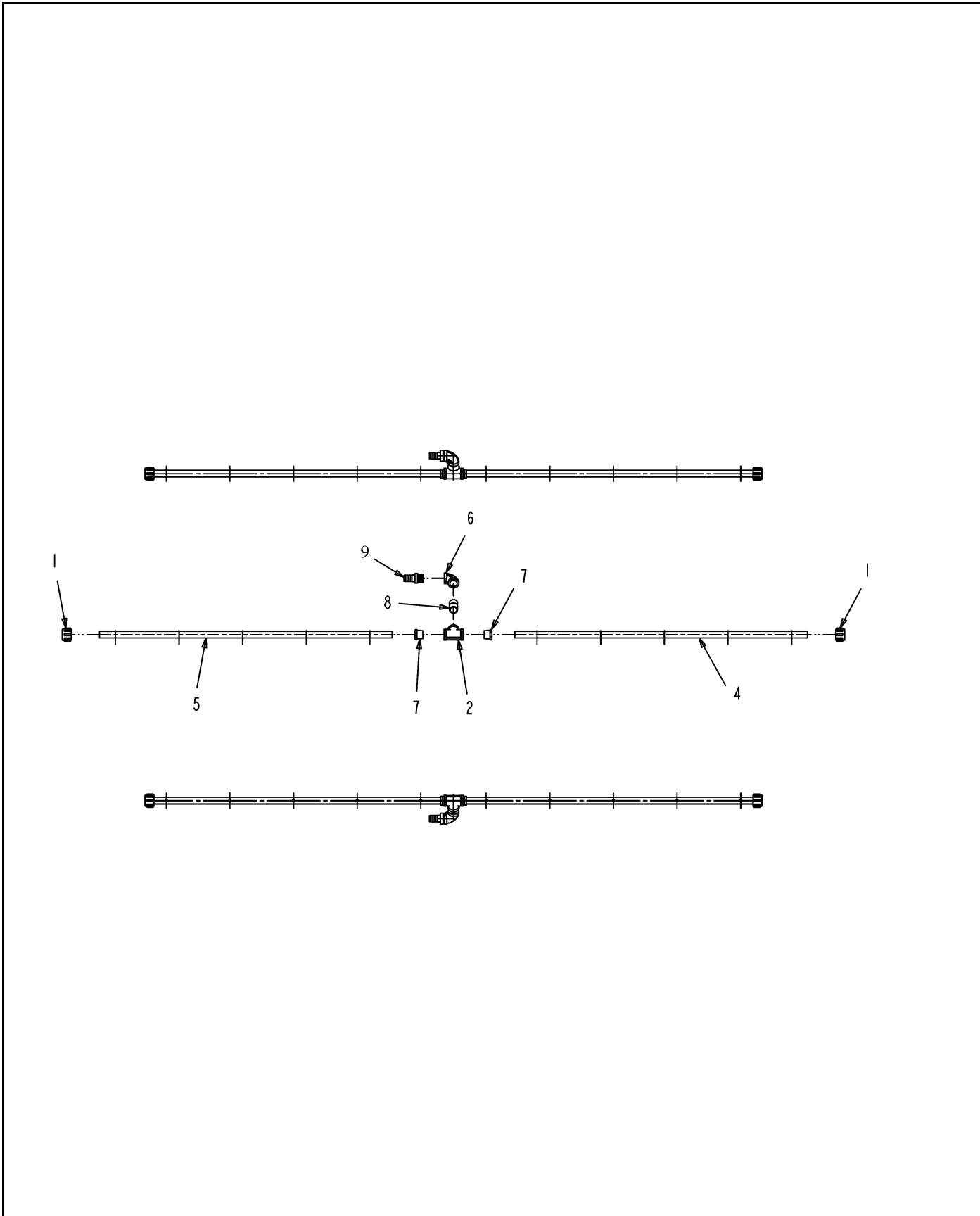
PIPE ASM-X W/3 1.00HB,11X10,SS



134628-A.TIF

PIPE ASM-X W/3 1.00HB,11X10,SS

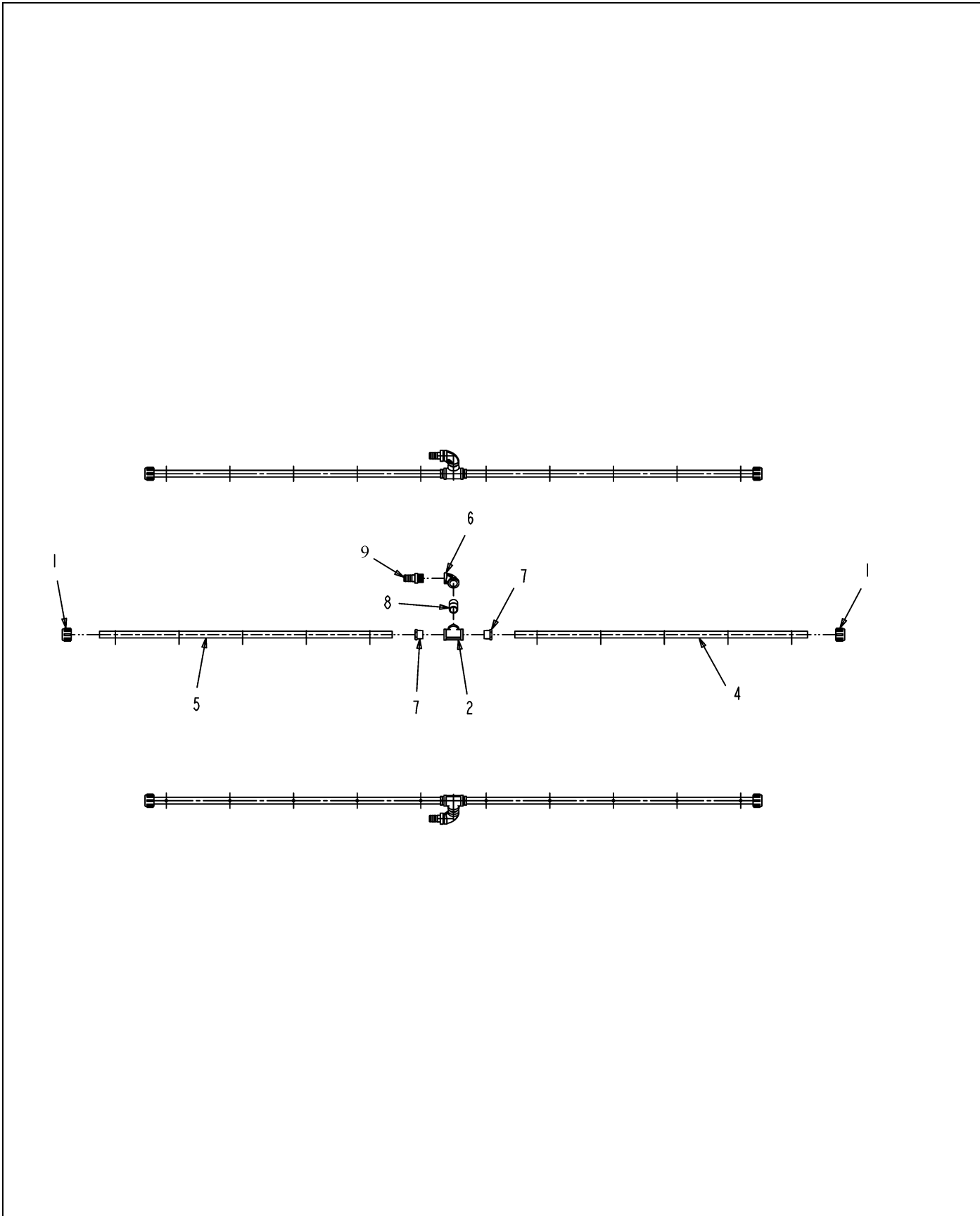
ITEM	PART #	QTY	DESCRIPTION	COMMENTS
1	AG051535	2	CAP-PIPE,0.75NPT PP	
2	AG051884	1	TEE 1.00 304SS	
3	AG051910	1	CROSS 1.00 TYPE 304SS	
4	AG129187	AR	PIPE SEALANT-FLEX BLACK	
5	AG217645	1	TUBE BOOM 15 REAR LEFT 42.00 IN	
6	AG217646	1	TUBE BOOM 15 REAR RIGHT 50.00 IN	
7	AG562712	2	BUSHING 1.00MNPTX0.75FNPT 304S	
8	AG710516	1	NIPPLE 1.00NPTX 1.50CLS 304SS	
9	AG845079	3	NIPPLE KING 1.00 316SS	



134629-A.tif

PIPE ASM-90D W/1HB,7X15,SS,LH

ITEM	PART #	QTY	DESCRIPTION	COMMENTS
1	AG051535	2	CAP-PIPE,0.75NPT PP	
2	AG051884	1	TEE 1.00 304SS	
3	AG129187	AR	PIPE SEALANT-FLEX BLACK	
4	AG234372	1	TUBE BOOM 15 INNER IN 53.00 IN	
5	AG238431	1	TUBE-BOOM,15,38.00,SS	
6	AG562304	1	ELBOW 90D 1.00X1.00 S.S. 304	
7	AG562712	2	BUSHING 1.00MNPTX0.75FNPT 304S	
8	AG710516	1	NIPPLE 1.00NPTX 1.50CLS 304SS	
9	AG845079	3	NIPPLE KING 1.00 316SS	

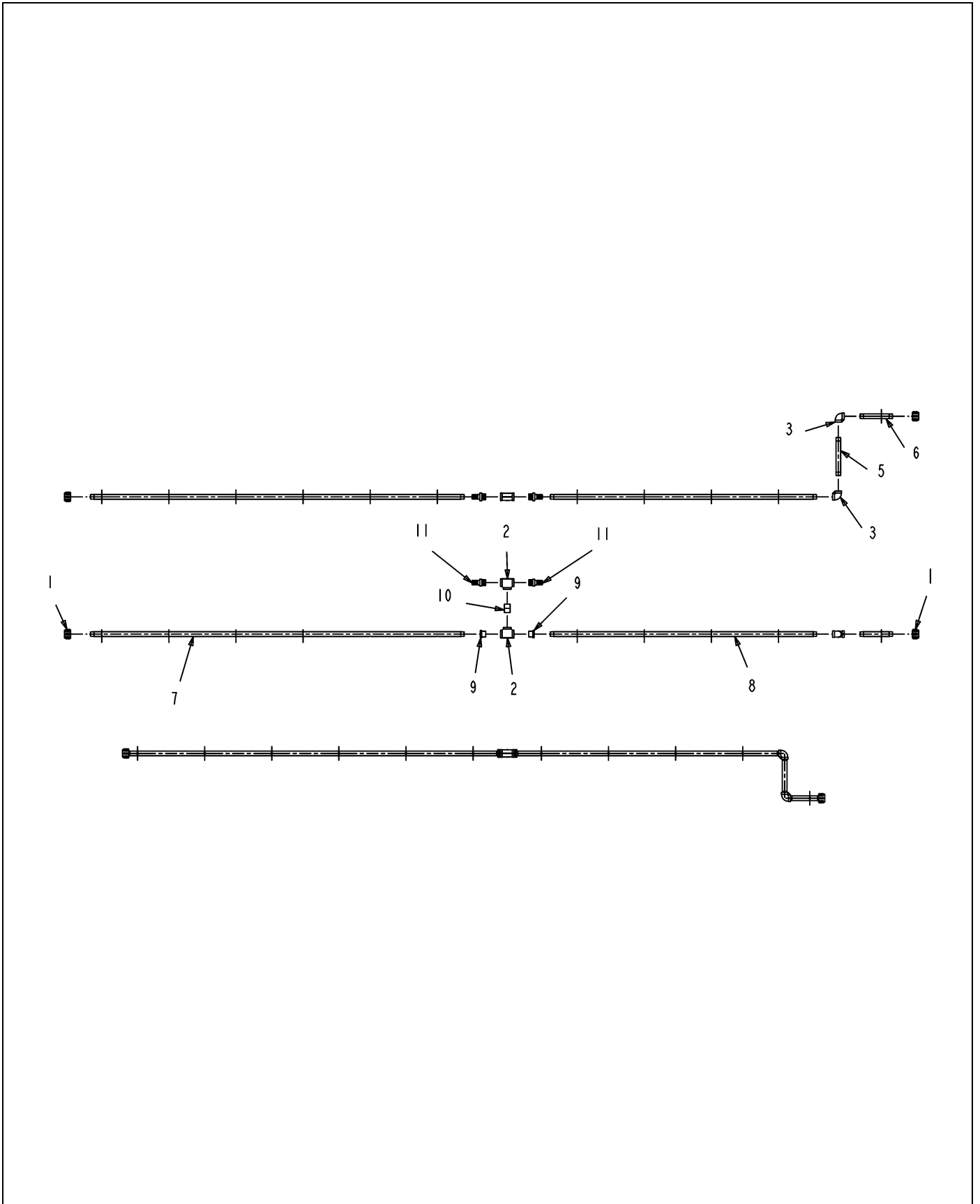


134630-A.tif

PIPE ASM-90D W/1HB,7X15,SS,RH

ITEM	PART #	QTY	DESCRIPTION	COMMENTS
1	AG051535	2	CAP-PIPE,0.75NPT PP	
2	AG051884	1	TEE 1.00 304SS	
3	AG129187	AR	PIPE SEALANT-FLEX BLACK	
4	AG234372	1	TUBE BOOM 15 INNER IN 53.00 IN	
5	AG238431	1	TUBE-BOOM,15,38.00,SS	
6	AG562304	1	ELBOW 90D 1.00X1.00 S.S. 304	
7	AG562712	2	BUSHING 1.00MNPTX0.75FNPT 304S	
8	AG710516	1	NIPPLE 1.00NPTX 1.50CLS 304SS	
9	AG845079	3	NIPPLE KING 1.00 316SS	

PIPE ASM-T W/2 1HB,11X15,SS,LH

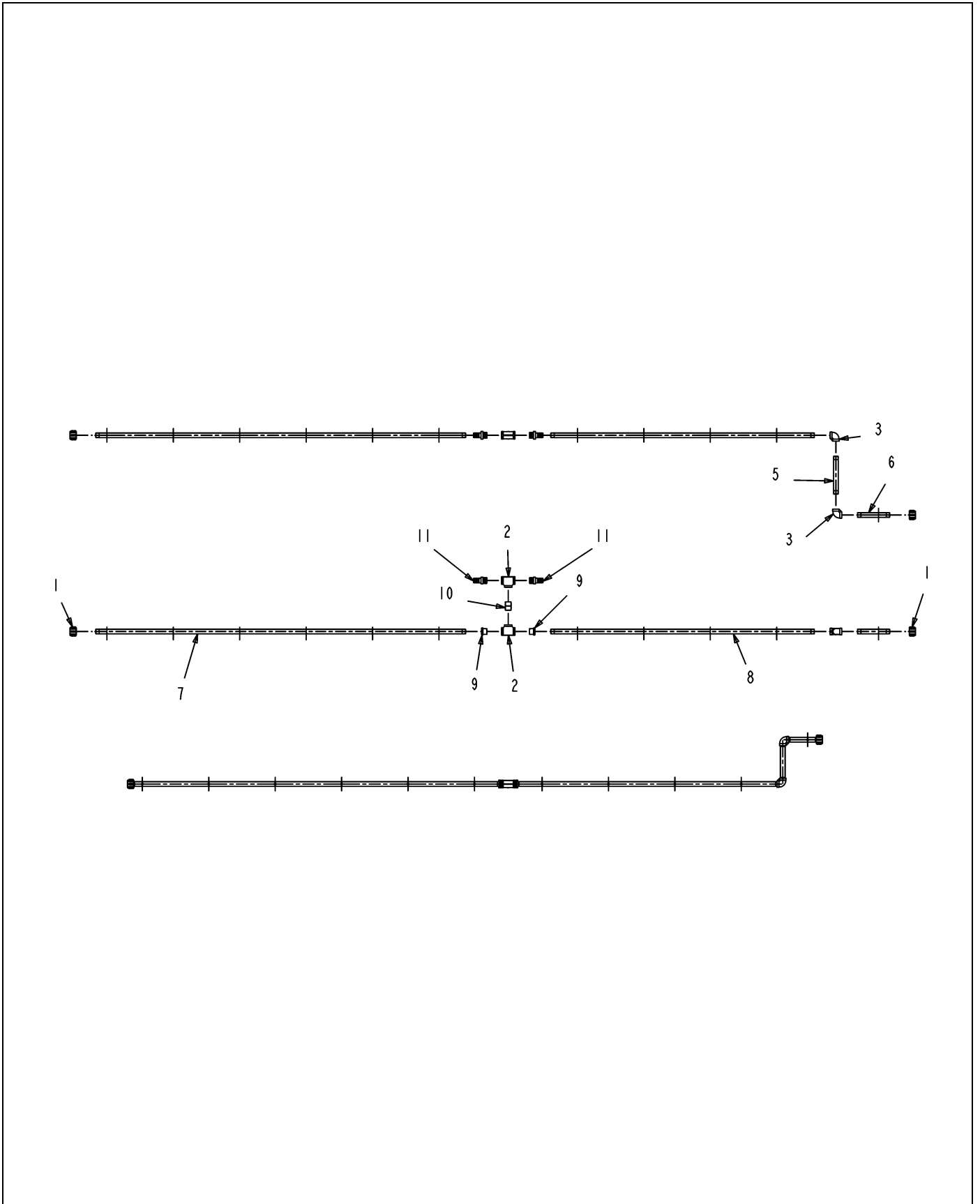


134631-A.TIF

PIPE ASM-T W/2 1HB,11X15,SS,LH

ITEM	PART #	QTY	DESCRIPTION	COMMENTS
1	AG051535	2	CAP-PIPE,0.75NPT PP	
2	AG051884	2	TEE 1.00 304SS	
3	AG051932	2	ELBOW 90D 0.75 304SS	
4	AG129187	AR	PIPE SEALANT-FLEX BLACK	
5	AG217610	1	TUBE BOOM BREAKAWAY	
6	AG217643	1	TUBE BOOM 15 BREAKAWAY 7.25 IN	
7	AG238498	1	TUBE-BOOM,15,83.50,SS	
8	AG238499	1	TUBE-BOOM,15,59.50,SS	
9	AG562712	2	BUSHING 1.00MNPTX0.75FNPT 304S	
10	AG710516	1	NIPPLE 1.00NPTX 1.50CLS 304SS	
11	AG845079	2	NIPPLE KING 1.00 316SS	

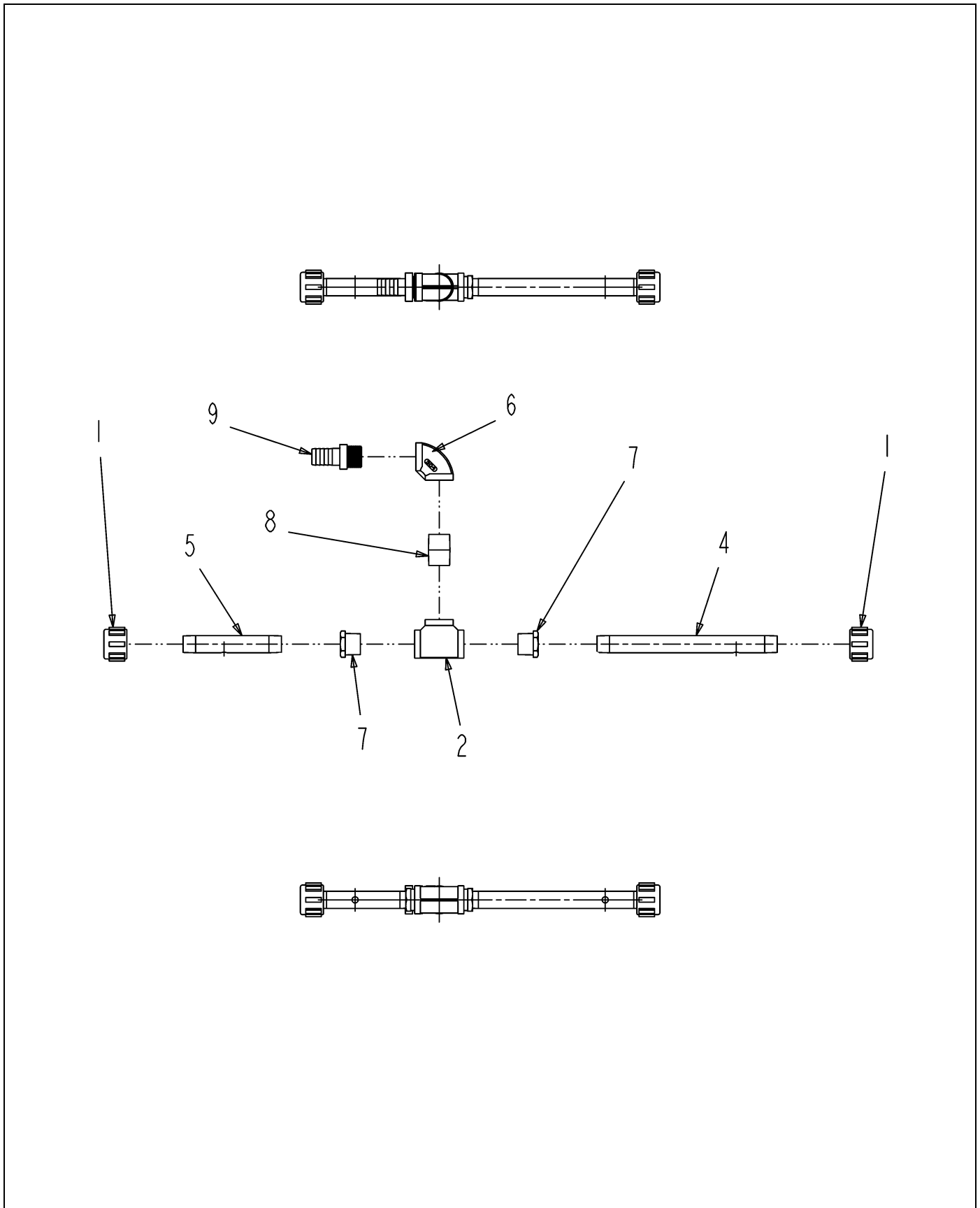
PIPE ASM-T W/2 1HB,11X15,SS,RH



134632-A.TIF

PIPE ASM-T W/2 1HB,11X15,SS,RH

ITEM	PART #	QTY	DESCRIPTION	COMMENTS
1	AG051535	2	CAP-PIPE,0.75NPT PP	
2	AG051884	2	TEE 1.00 304SS	
3	AG051932	2	ELBOW 90D 0.75 304SS	
4	AG129187	AR	PIPE SEALANT-FLEX BLACK	
5	AG217610	1	TUBE BOOM BREAKAWAY	
6	AG217643	1	TUBE BOOM 15 BREAKAWAY 7.25 IN	
7	AG238498	1	TUBE-BOOM,15,83.50,SS	
8	AG238499	1	TUBE-BOOM,15,59.50,SS	
9	AG562712	2	BUSHING 1.00MNPTX0.75FNPT 304S	
10	AG710516	1	NIPPLE 1.00NPTX 1.50CLS 304SS	
11	AG845079	2	NIPPLE KING 1.00 316SS	

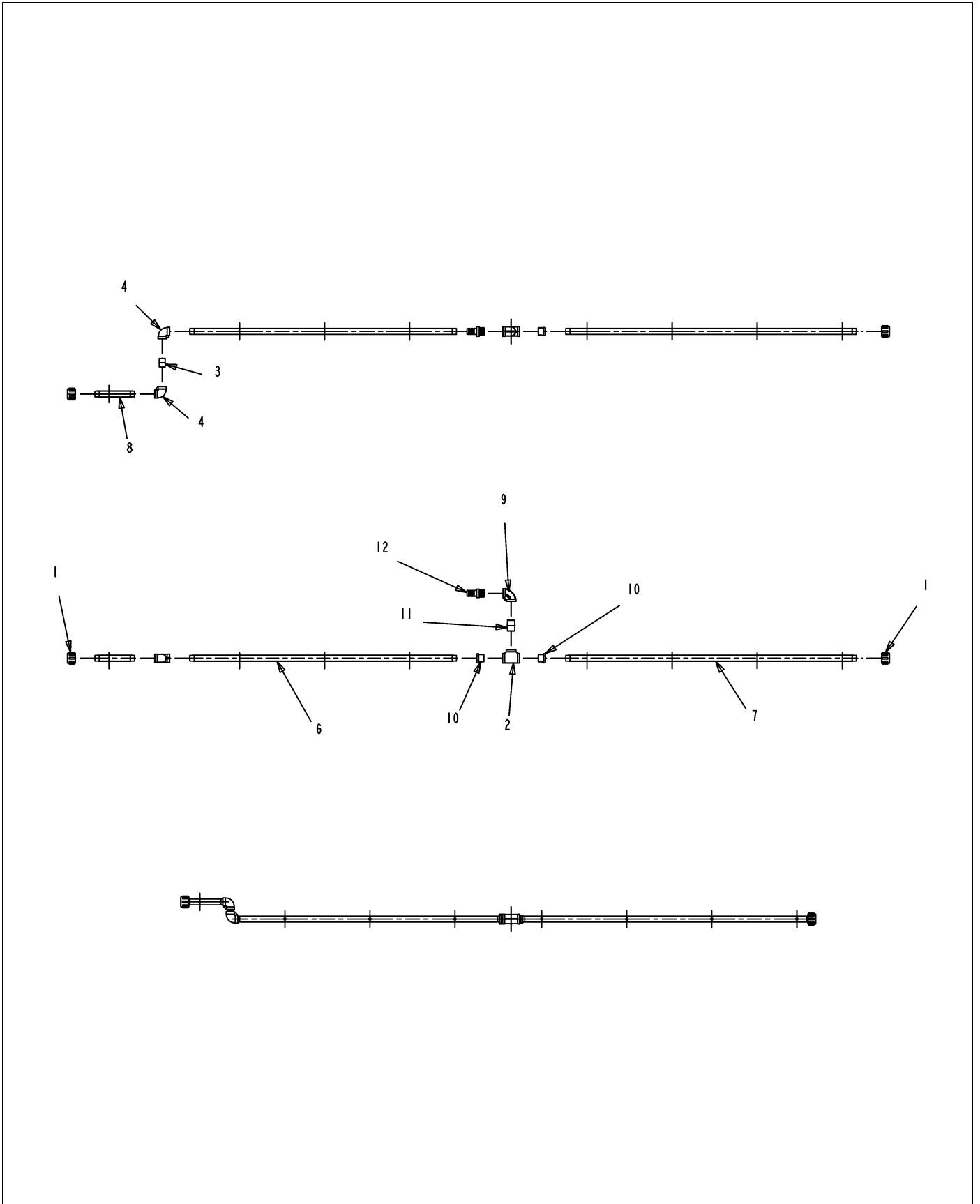


134633-A.tif

PIPE ASM-90D W/1.00HB,2X15,SS

ITEM	PART #	QTY	DESCRIPTION	COMMENTS
1	AG051535	2	CAP-PIPE,0.75NPT PP	
2	AG051884	1	TEE 1.00 304SS	
3	AG129187	AR	PIPE SEALANT-FLEX BLACK	
4	AG217648	1	TUBE BOOM 15 SPLIT 11.00 IN	
5	AG239792	1	TUBE-BOOM,15 SPLIT,6.00	
6	AG562304	1	ELBOW 90D 1.00X1.00 S.S. 304	
7	AG562712	2	BUSHING 1.00MNPTX0.75FNPT 304S	
8	AG710516	1	NIPPLE 1.00NPTX 1.50CLS 304SS	
9	AG845079	1	NIPPLE KING 1.00 316SS	

PIPE ASM-90D W/1HB,8X15,SS,RH

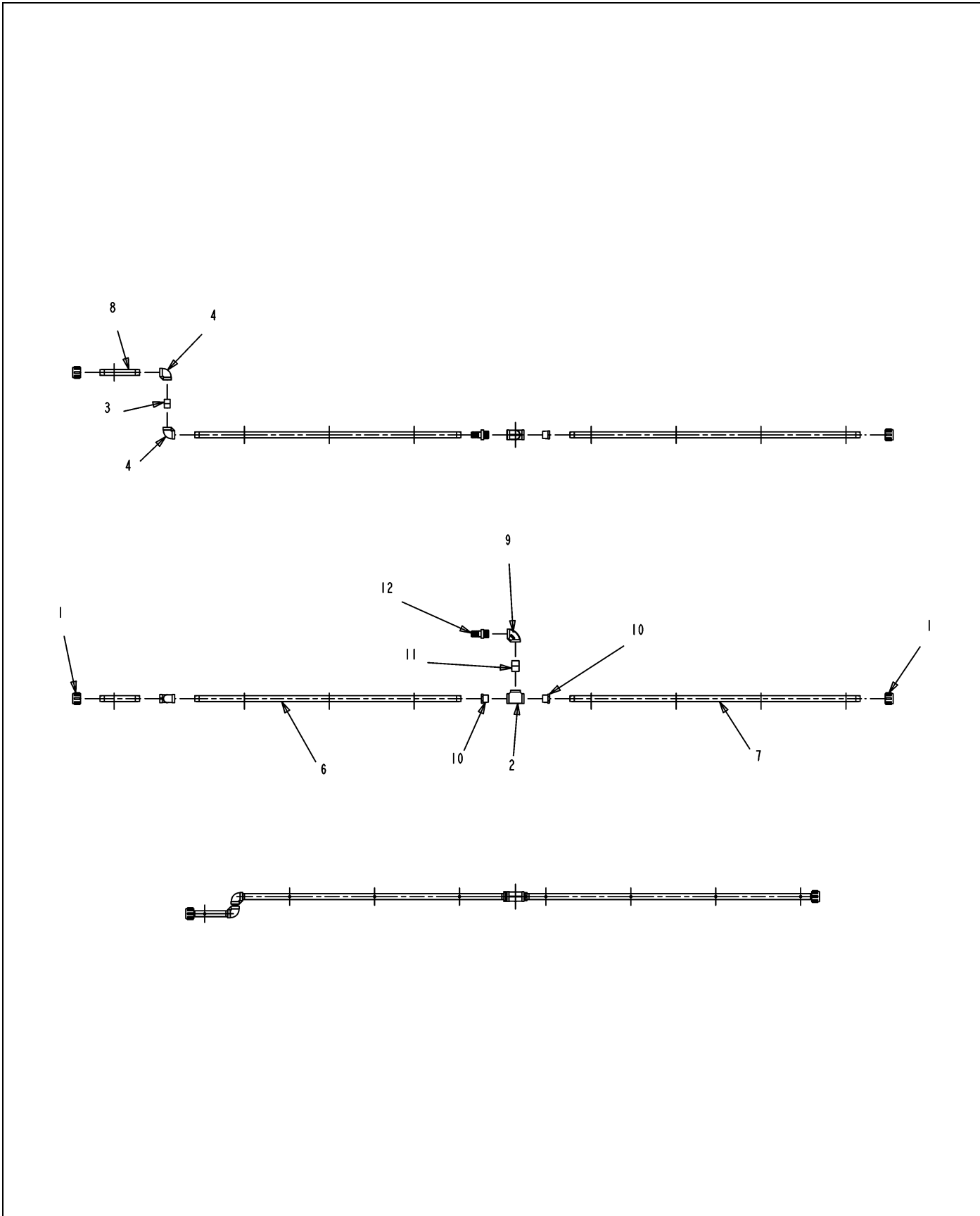


134634-A.TIF

PIPE ASM-90D W/1HB,8X15,SS,RH

ITEM	PART #	QTY	DESCRIPTION	COMMENTS
1	AG051535	2	CAP-PIPE,0.75NPT PP	
2	AG051884	1	TEE 1.00 304SS	
3	AG051903	1	NIPPLE 0.75NPTX 1.37CLS 304SS	
4	AG051932	2	ELBOW 90D 0.75 304SS	
5	AG129187	AR	PIPE SEALANT-FLEX BLACK	
6	AG217649	1	TUBE BOOM 15 TIP INNER 47.00 IN	
7	AG217650	1	TUBE BOOM	
8	AG217651	1	TUBE BOOM 15 TIP FOLD 7.00 IN	
9	AG562304	1	ELBOW 90D 1.00X1.00 S.S. 304	
10	AG562712	2	BUSHING 1.00MNPTX0.75FNPT 304S	
11	AG710516	1	NIPPLE 1.00NPTX 1.50CLS 304SS	
12	AG845079	1	NIPPLE KING 1.00 316SS	

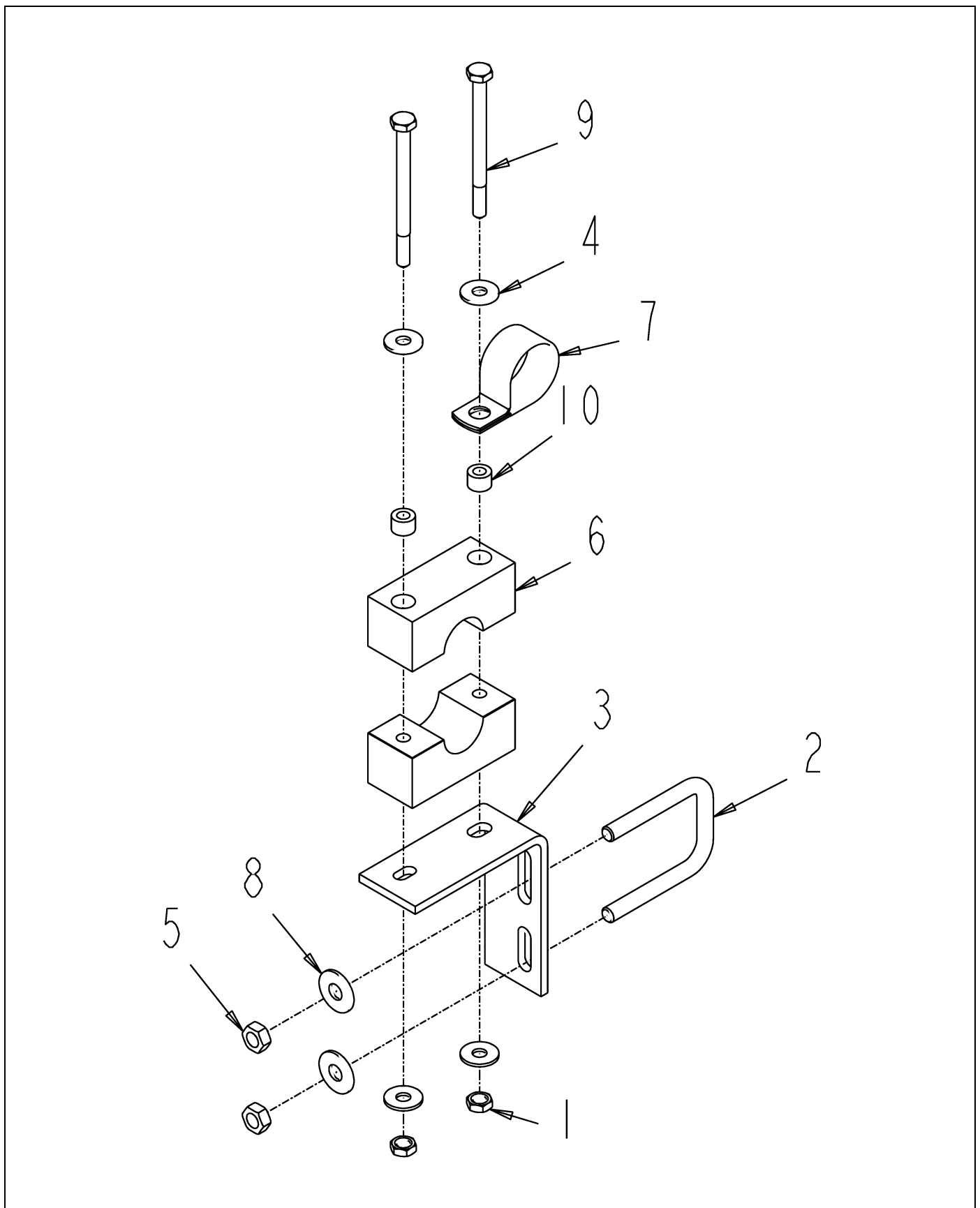
PIPE ASM-90D W/1HB,8X15,SS,LH



134635-A.TIF

PIPE ASM-90D W/1HB,8X15,SS,LH

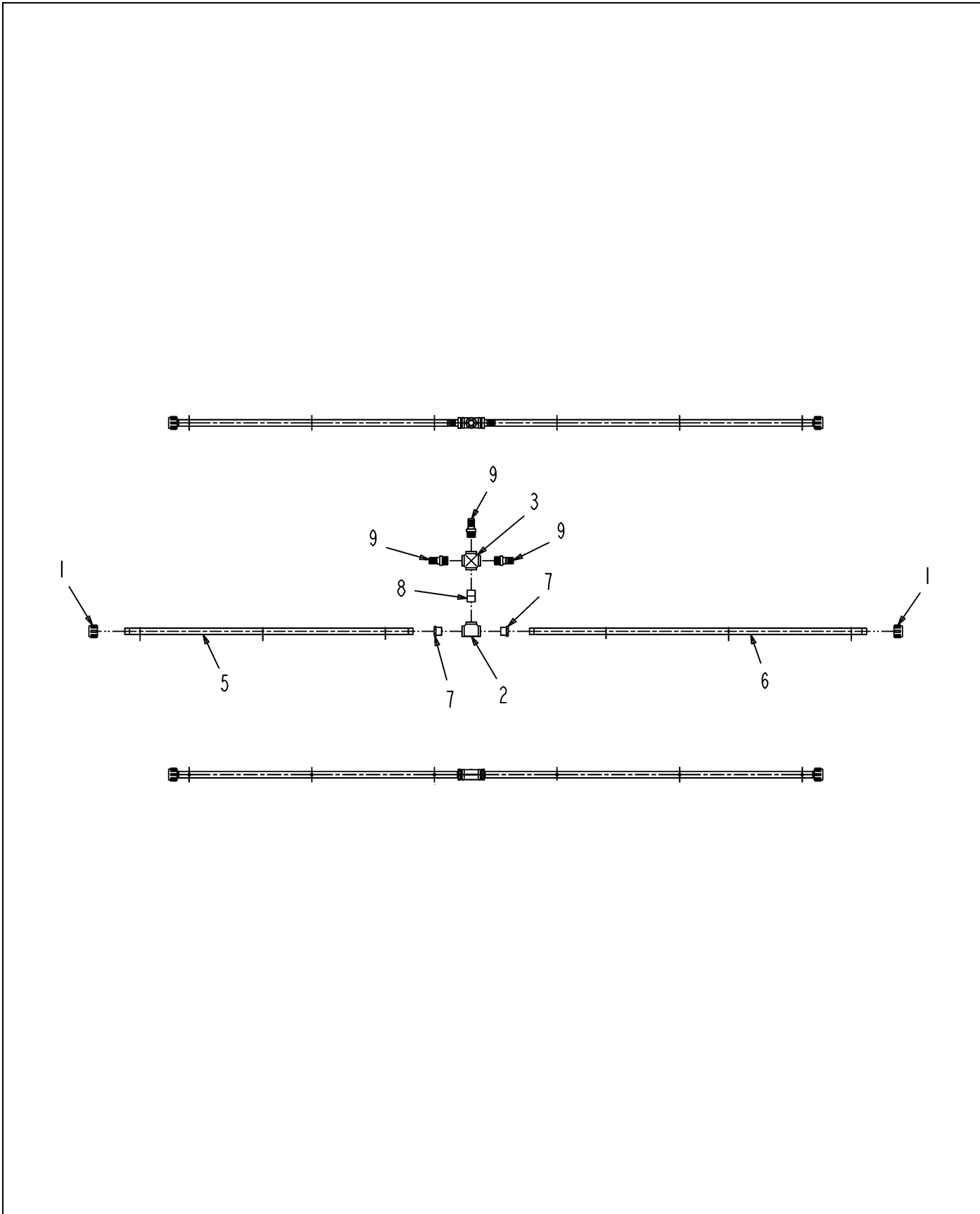
ITEM	PART #	QTY	DESCRIPTION	COMMENTS
1	AG051535	2	CAP-PIPE,0.75NPT PP	
2	AG051884	1	TEE 1.00 304SS	
3	AG051903	1	NIPPLE 0.75NPTX 1.37CLS 304SS	
4	AG051932	2	ELBOW 90D 0.75 304SS	
5	AG129187	AR	PIPE SEALANT-FLEX BLACK	
6	AG217649	1	TUBE BOOM 15 TIP INNER 47.00 IN	
7	AG217650	1	TUBE BOOM	
8	AG217651	1	TUBE BOOM 15 TIP FOLD 7.00 IN	
9	AG562304	1	ELBOW 90D 1.00X1.00 S.S. 304	
10	AG562712	2	BUSHING 1.00MNPTX0.75FNPT 304S	
11	AG710516	1	NIPPLE 1.00NPTX 1.50CLS 304SS	
12	AG845079	1	NIPPLE KING 1.00 316SS	



122515-B.TIF

BRKT ASM-L W/REV P CLP

ITEM	PART #	QTY	DESCRIPTION	COMMENTS
1	AG027275	2	NUT 0.25-20NC HEX SS REG NY	
2	AG231204	1	BOLT-U .31-18X1.88X2.63	
3	AG232784	1	BRACKET STAND OFF WET BOOM	
4	AG515121	4	WASHER 0.25 FL SS REG TYPE-B	
5	AG516403	2	NUT 0.31-18NC HEX SS REG NY	
6	AG518326	1	CLAMP 3/4 INCH PIPE (RTG)	
7	AG560480	1	CLAMP 1.25-COATED HOSE CO	
8	AG562074	2	WASHER 0.31 FL SS REG TYPE-B	
9	AG563061	2	BOLT 0.25-20NCX 3.25 SS HHD	
10	AG609777	2	INSERT STAUFF SPACER	

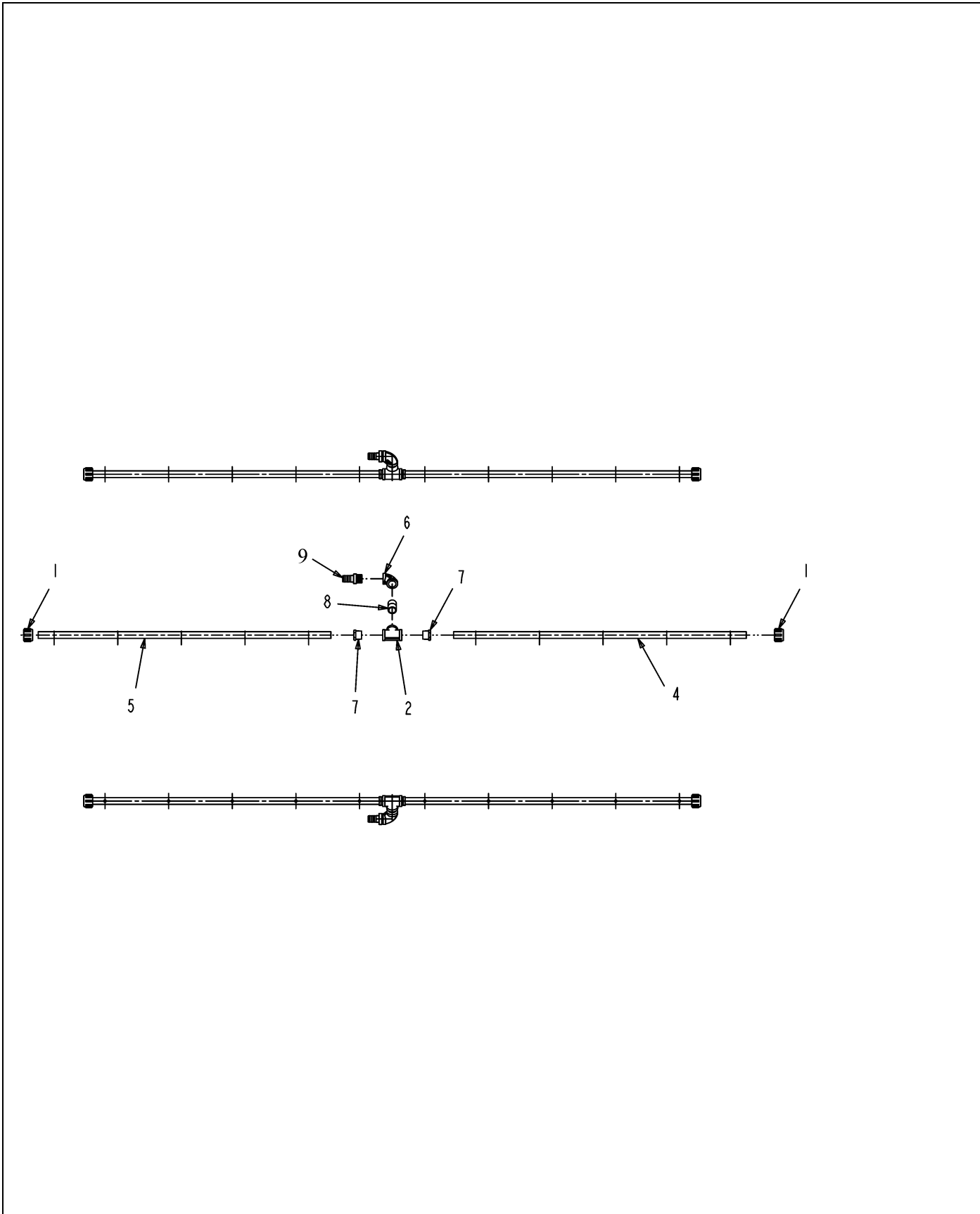


134636-A.tif

PIPE ASM-X W/3 1.00HB,6X20,SS

ITEM	PART #	QTY	DESCRIPTION	COMMENTS
1	AG051535	2	CAP-PIPE,0.75NPT PP	
2	AG051884	1	TEE 1.00 304SS	
3	AG051910	1	CROSS 1.00 TYPE 304SS	
4	AG129187	AR	PIPE SEALANT-FLEX BLACK	
5	AG231211	1	TUBE CENTER LEFT 47.00	
6	AG231212	1	TUBE CENTER RIGHT 55.00	
7	AG562712	2	BUSHING 1.00MNPTX0.75FNPT 304S	
8	AG710516	1	NIPPLE 1.00NPTX 1.50CLS 304SS	
9	AG845079	3	NIPPLE KING 1.00 316SS	

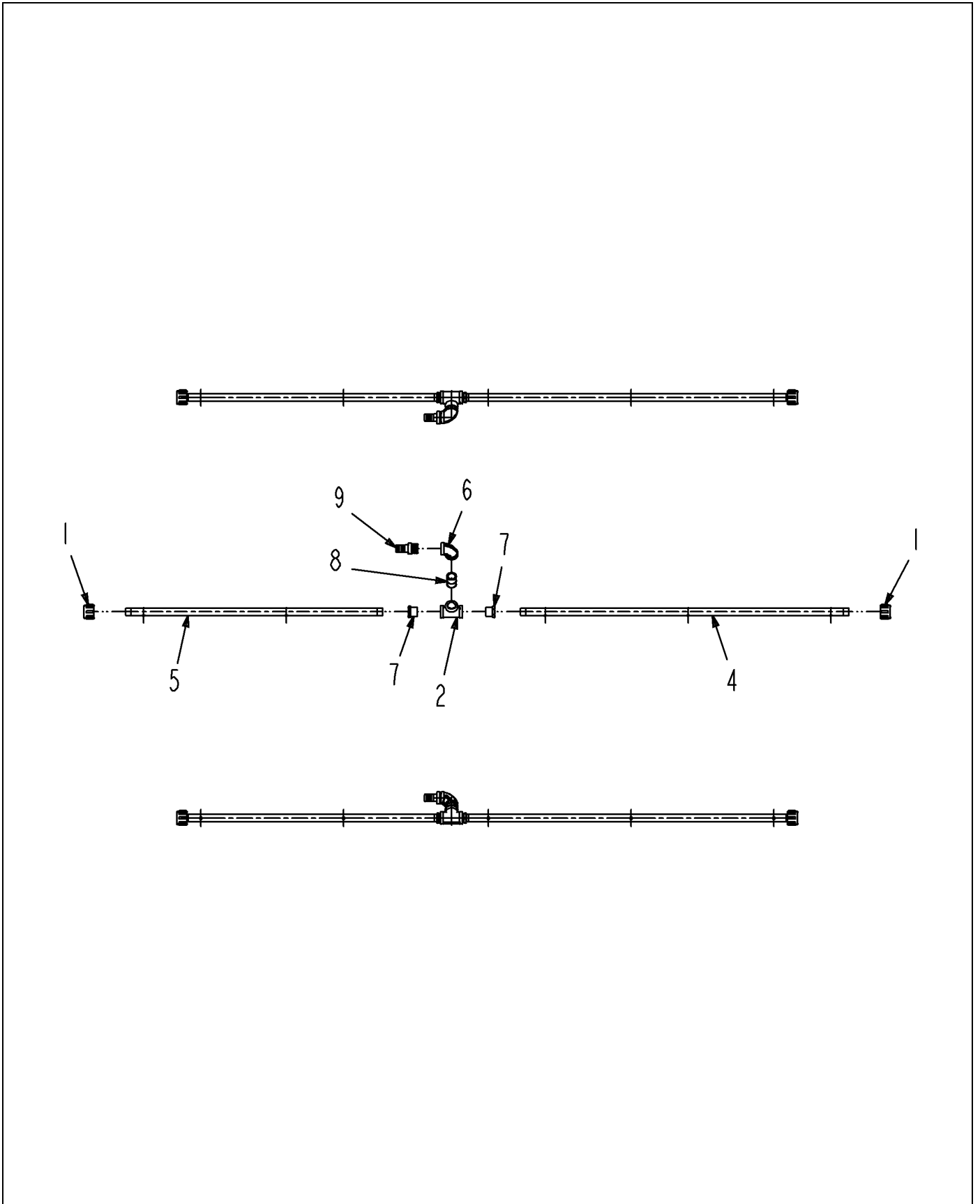
PIPE ASM-90D W/1HB,5X20,SS,LH



134637-A.tif

PIPE ASM-90D W/1HB,5X20,SS,LH

ITEM	PART #	QTY	DESCRIPTION	COMMENTS
1	AG051535	2	CAP-PIPE,0.75NPT PP	
2	AG051884	1	TEE 1.00 304SS	
3	AG129187	AR	PIPE SEALANT-FLEX BLACK	
4	AG217616	1	TUBE BOOM 20 INNER OUT 46.00	
5	AG239791	1	TUBE-BOOM,20 INNER,36.00	
6	AG562304	1	ELBOW 90D 1.00X1.00 S.S. 304	
7	AG562712	2	BUSHING 1.00MNPTX0.75FNPT 304S	
8	AG710516	1	NIPPLE 1.00NPTX 1.50CLS 304SS	
9	AG845079	3	NIPPLE KING 1.00 316SS	



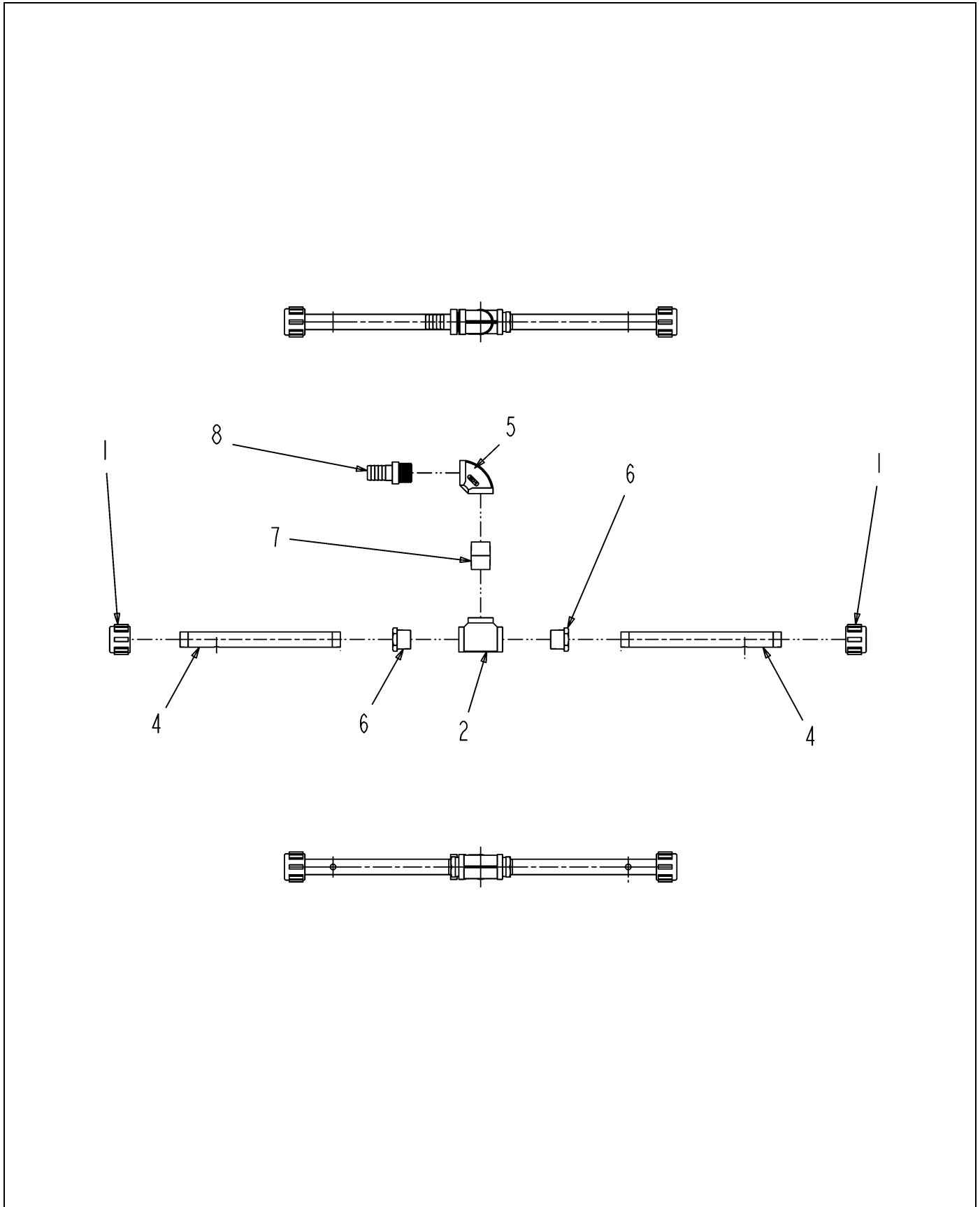
134638-A-M213-.TIF

PIPE ASM-90D W/1HB,5X20,SS,RH

ITEM	PART #	QTY	DESCRIPTION	COMMENTS
1	AG051535	2	CAP-PIPE,0.75NPT PP	
2	AG051884	1	TEE 1.00 304SS	
3	AG129187	AR	PIPE SEALANT-FLEX BLACK	
4	AG217616	1	TUBE BOOM 20 INNER OUT 46.00	
5	AG239791	1	TUBE-BOOM,20 INNER,36.00	
6	AG562304	1	ELBOW 90D 1.00X1.00 S.S. 304	
7	AG562712	2	BUSHING 1.00MNPTX0.75FNPT 304S	
8	AG710516	1	NIPPLE 1.00NPTX 1.50CLS 304SS	
9	AG845079	3	NIPPLE KING 1.00 316SS	

PIPE ASM-T W/2 1.00HB,8X20,SS

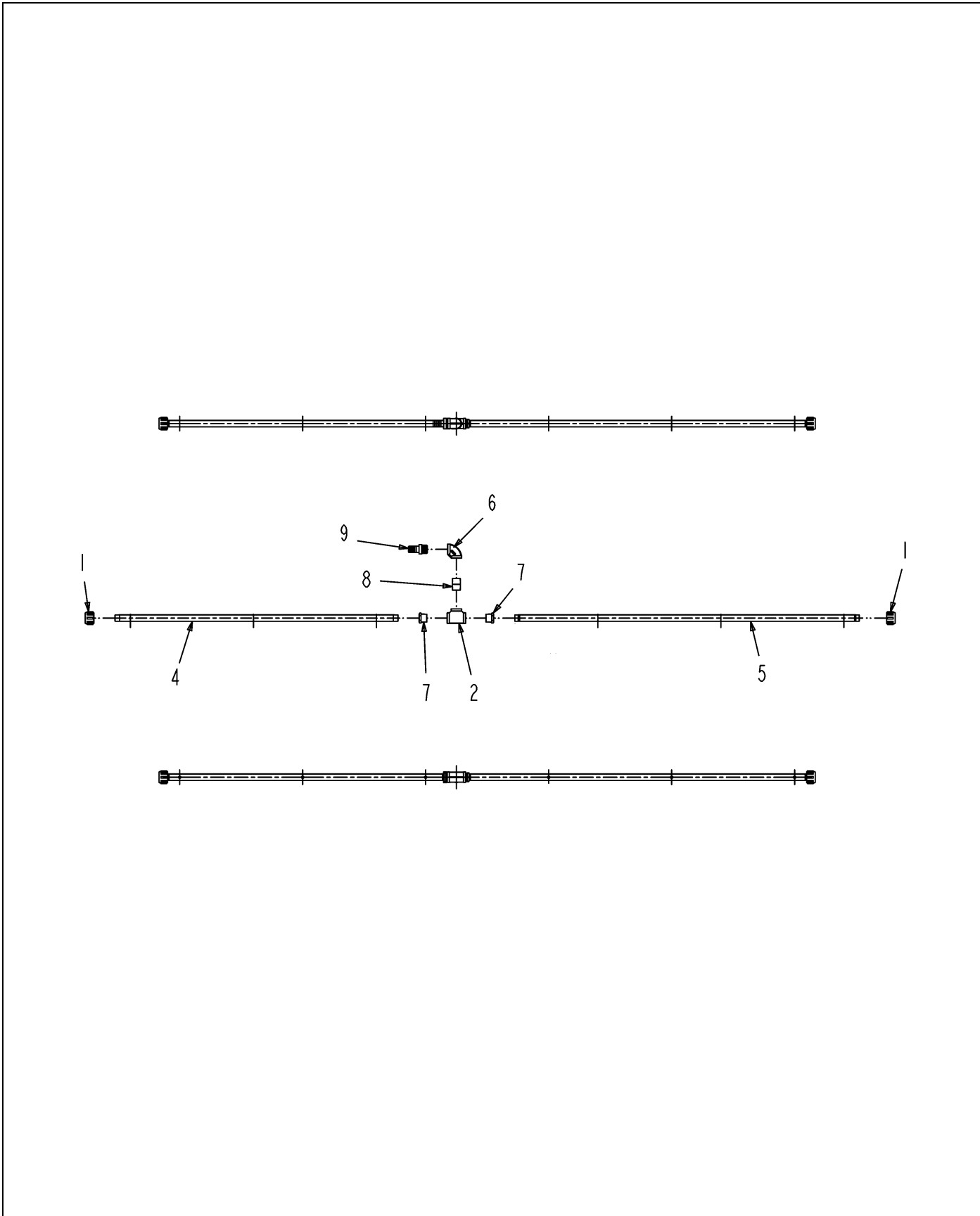
ITEM	PART #	QTY	DESCRIPTION	COMMENTS
1	AG051535	2	CAP-PIPE,0.75NPT PP	
2	AG051884	2	TEE 1.00 304SS	
3	AG129187	AR	PIPE SEALANT-FLEX BLACK	
4	AG233237	2	TUBE BOOM 20 MIDDLE IN 71.00	
5	AG562712	2	BUSHING 1.00MNPTX0.75FNPT 304S	
6	AG710516	1	NIPPLE 1.00NPTX 1.50CLS 304SS	
7	AG845079	2	NIPPLE KING 1.00 316SS	



134640-A.tif

PIPE ASM-90D W/1.00HB,2X20,SS

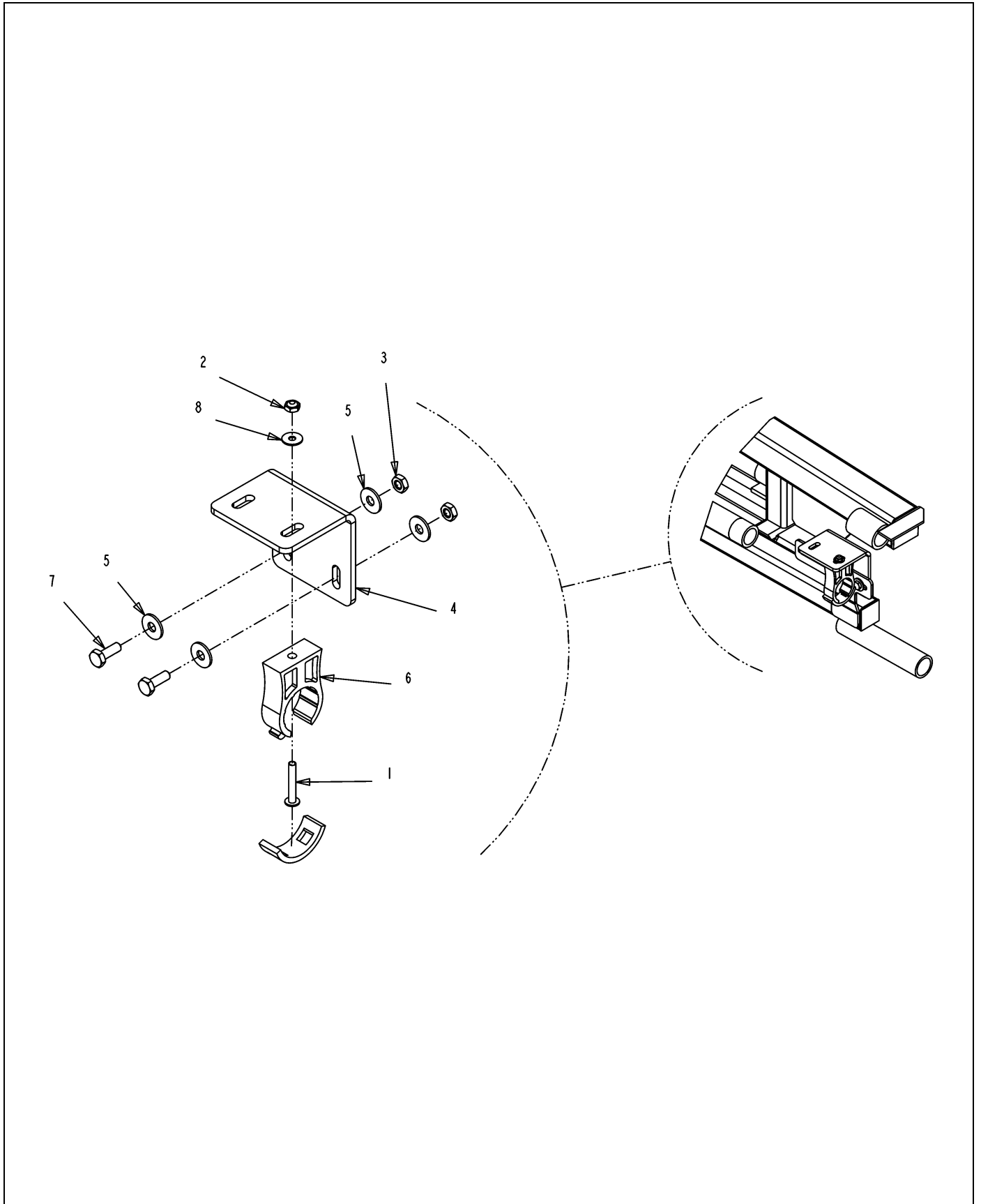
ITEM	PART #	QTY	DESCRIPTION	COMMENTS
1	AG051535	2	CAP-PIPE,0.75NPT PP	
2	AG051884	1	TEE 1.00 304SS	
3	AG129187	AR	PIPE SEALANT-FLEX BLACK	
4	AG217489	2	TUBE BOOM SPLIT	
5	AG562304	1	ELBOW 90D 1.00X1.00 S.S. 304	
6	AG562712	2	BUSHING 1.00MNPTX0.75FNPT 304S	
7	AG710516	1	NIPPLE 1.00NPTX 1.50CLS 304SS	
8	AG845079	1	NIPPLE KING 1.00 316SS	



134641-A.tif

PIPE ASM-90D W/1.00HB,6X20,SS

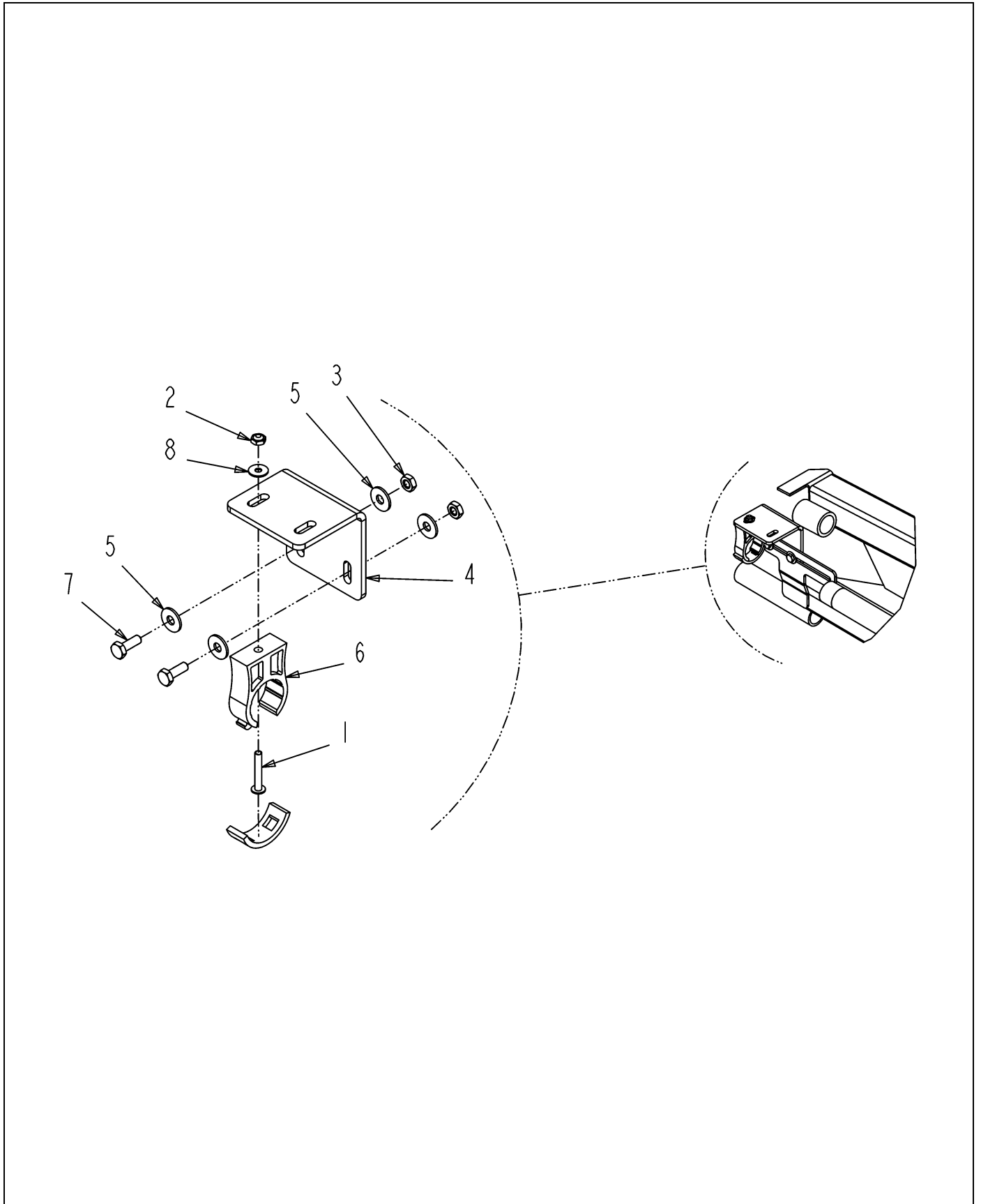
ITEM	PART #	QTY	DESCRIPTION	COMMENTS
1	AG051535	2	CAP-PIPE,0.75NPT PP	
2	AG051884	1	TEE 1.00 304SS	
3	AG129187	AR	PIPE SEALANT-FLEX BLACK	
4	AG217616	1	TUBE BOOM 20 INNER OUT 46.00	
5	AG217622	1	TUBE BOOM 20 TIP OUTER 56.00	
6	AG562304	1	ELBOW 90D 1.00X1.00 S.S. 304	
7	AG562712	2	BUSHING 1.00MNPTX0.75FNPT 304S	
8	AG710516	1	NIPPLE 1.00NPTX 1.50CLS 304SS	
9	AG845079	1	NIPPLE KING 1.00 316SS	



134670-A.TIF

BRKT ASM-ENDROW,IPS CLP,RH

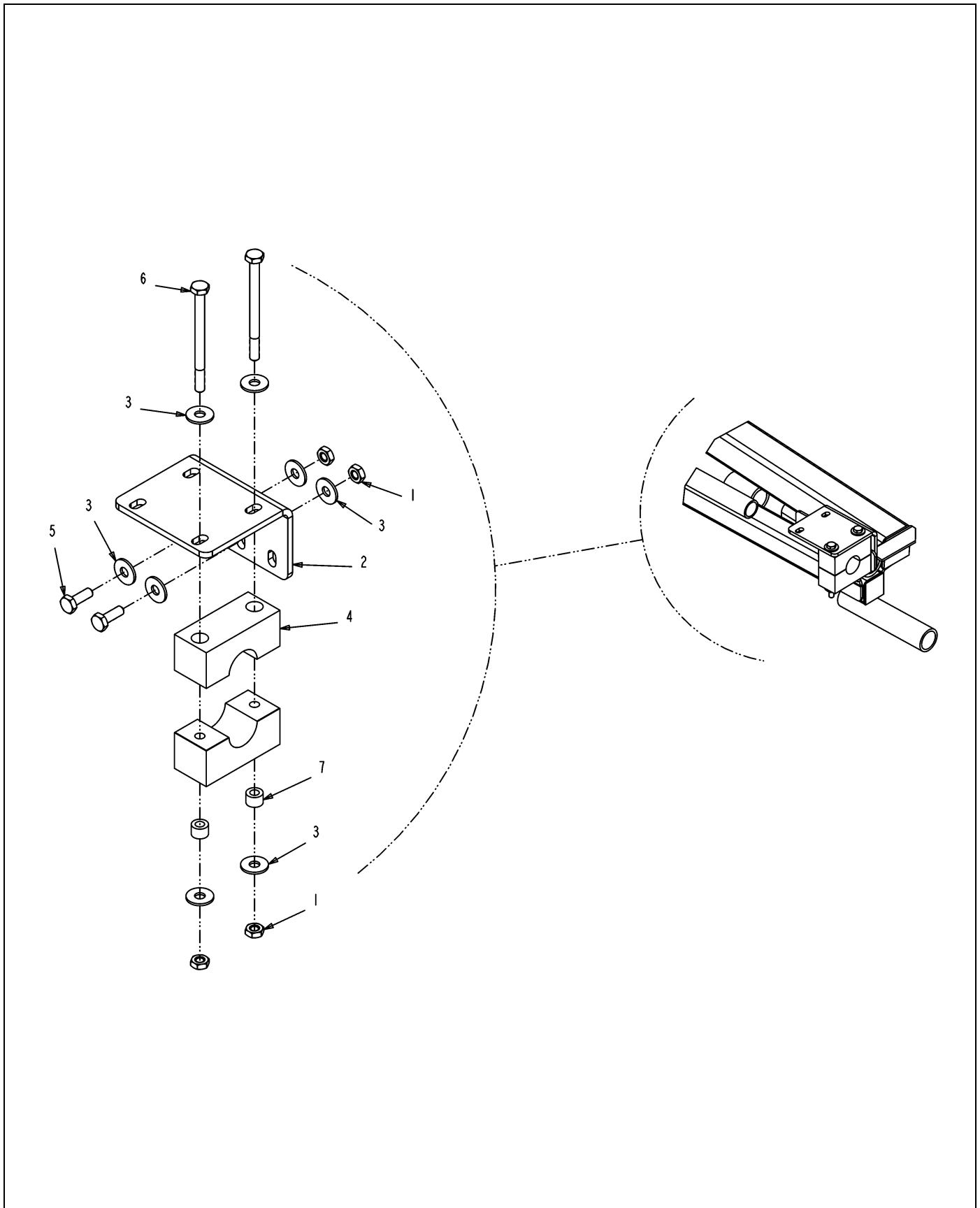
ITEM	PART #	QTY	DESCRIPTION	COMMENTS
1	AG027273	1	SCREW 10-24X 1.25 PHD PHILSS(P	
2	AG027274	1	NUT #10-24NC HEX SS REG NY	
3	AG027275	2	NUT 0.25-20NC HEX SS REG NY	
4	AG134605	1	BRKT-MTG,STANDOFF,ENDROW	
5	AG515121	4	WASHER 0.25 FL SS REG TYPE-B	
6	AG519749	1	CLAMP 1.00 IPS POLY	
7	AG562054	2	BOLT 0.25-20NCX 0.75 SS HHD	
8	AG562082	1	WASHER #10 FL SS REG TYPE-B	



134747-A.TIF

BRKT ASM-ENDROW,IPS CLP,LH

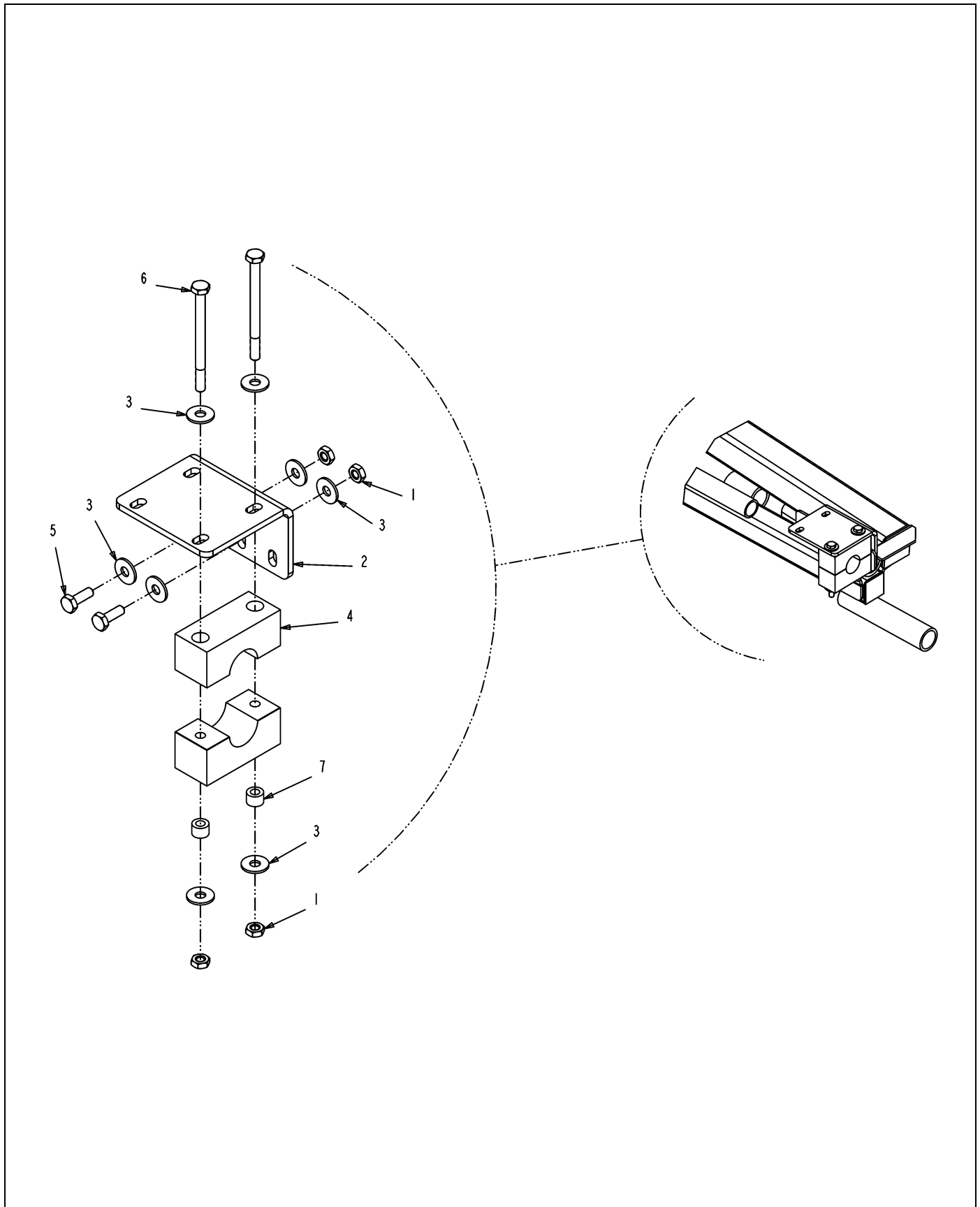
ITEM	PART #	QTY	DESCRIPTION	COMMENTS
1	AG027273	1	SCREW 10-24X 1.25 PHD PHILSS(P	
2	AG027274	1	NUT #10-24NC HEX SS REG NY	
3	AG027275	2	NUT 0.25-20NC HEX SS REG NY	
4	AG134605	1	BRKT-MTG,STANDOFF,ENDROW	
5	AG515121	4	WASHER 0.25 FL SS REG TYPE-B	
6	AG519749	1	CLAMP 1.00 IPS POLY	
7	AG562054	2	BOLT 0.25-20NCX 0.75 SS HHD	
8	AG562082	1	WASHER #10 FL SS REG TYPE-B	



134845-A.TIF

BRKT ASM-ENDROW,STAUFF,.75,LH

ITEM	PART #	QTY	DESCRIPTION	COMMENTS
1	AG027275	4	NUT 0.25-20NC HEX SS REG NY	
2	AG134756	1	BRKT-MTG,STANDOFF,ER,SS,.75	
3	AG515121	8	WASHER 0.25 FL SS REG TYPE-B	
4	AG518326	1	CLAMP 3/4 INCH PIPE (RTG)	
5	AG562054	2	BOLT 0.25-20NCX 0.75 SS HHD	
6	AG563061	2	BOLT 0.25-20NCX 3.25 SS HHD	
7	AG609777	2	INSERT STAUFF SPACER	

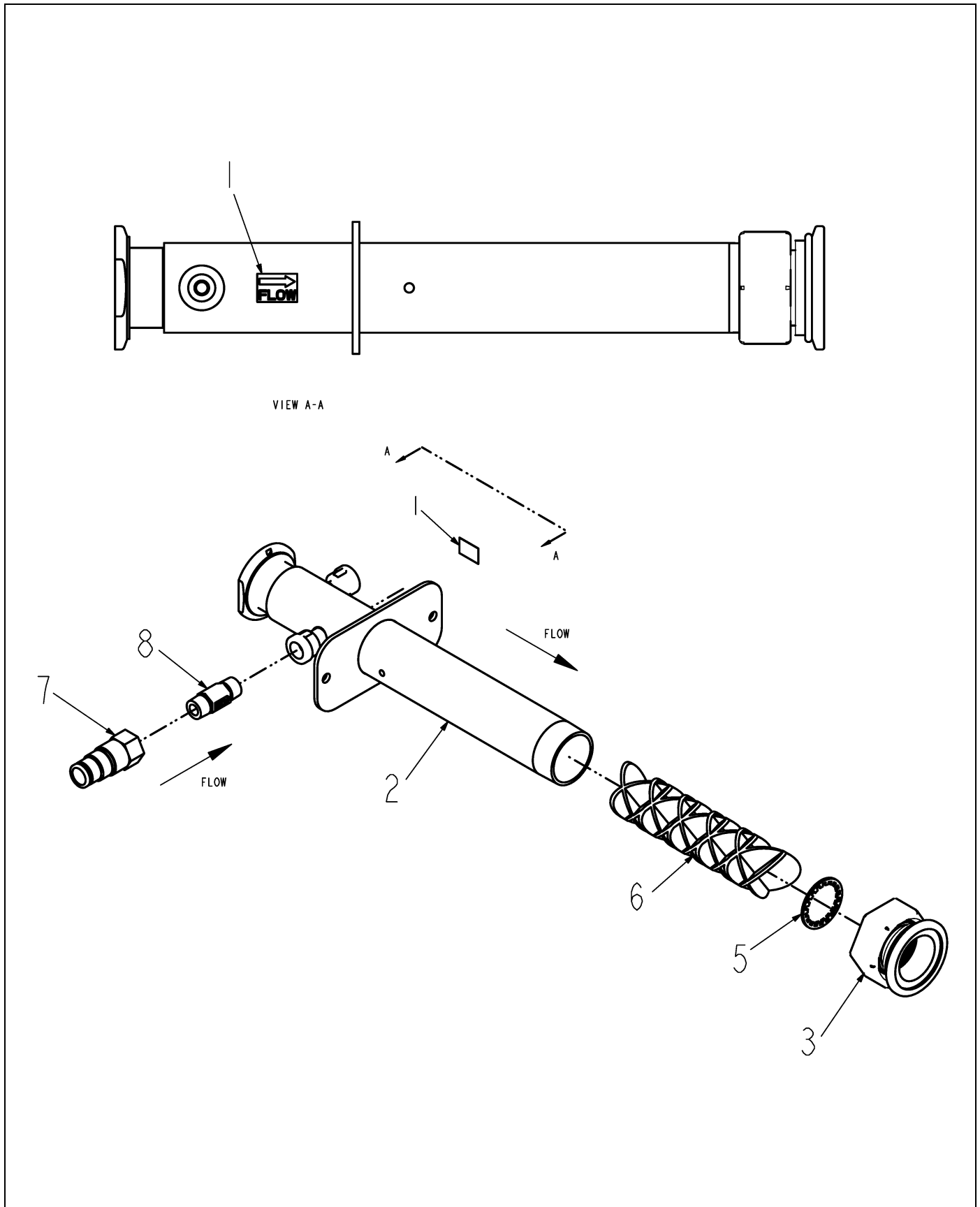


134846-A.TIF

BRKT ASM-ENDROW,STAUFF,.75,RH

ITEM	PART #	QTY	DESCRIPTION	COMMENTS
1	AG027275	4	NUT 0.25-20NC HEX SS REG NY	
2	AG134756	1	BRKT-MTG,STANDOFF,ER,SS,.75	
3	AG515121	8	WASHER 0.25 FL SS REG TYPE-B	
4	AG518326	1	CLAMP 3/4 INCH PIPE (RTG)	
5	AG562054	2	BOLT 0.25-20NCX 0.75 SS HHD	
6	AG563061	2	BOLT 0.25-20NCX 3.25 SS HHD	
7	AG609777	2	INSERT STAUFF SPACER	

NOZZLE ASM-INJ,2 LOOP,2.00 NPT

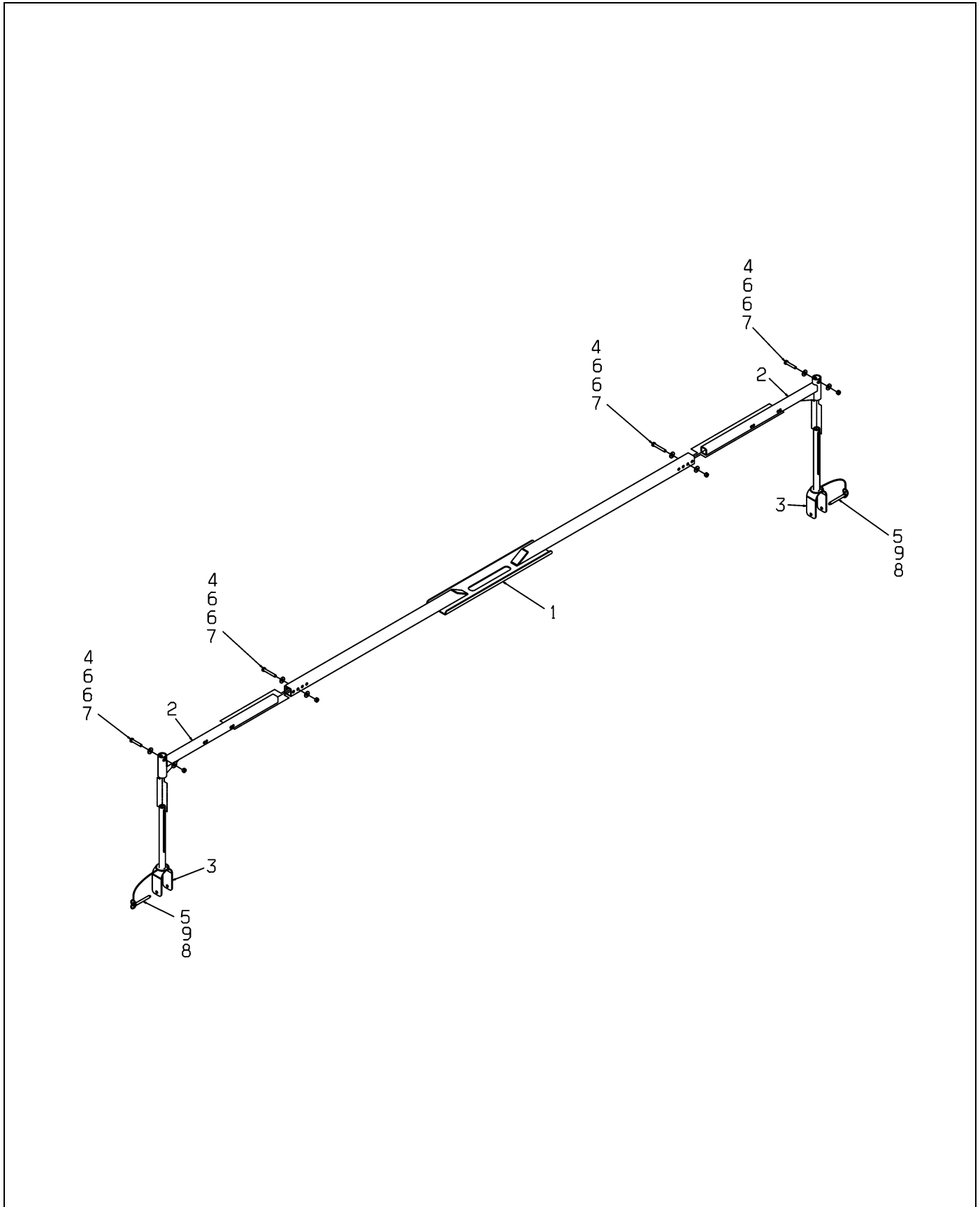


123592-B.TIF

NOZZLE ASM-INJ,2 LOOP,2.00 NPT

ITEM	PART #	QTY	DESCRIPTION	COMMENTS
1	AG109190	1	DECAL - FLOW	
2	AG123593	1	NOZZLE WLDMT-MXR,CHEM INJ,90D	
3	AG123944	1	ADAPTER 2.00FLGX2.00FNPT,FP,PP	
4	AG129187	AR	PIPE SEALANT-FLEX BLACK	
5	AG239692	1	SPACER-RD,STOP	
6	AG518236	1	MIXER SECTION STATA-TUBE	
7	AG520345	1	NIPPLE END-.50 NPT,DRY BREAK	
8	AG522513	1	VALVE-CHECK,.50NPT,SS	

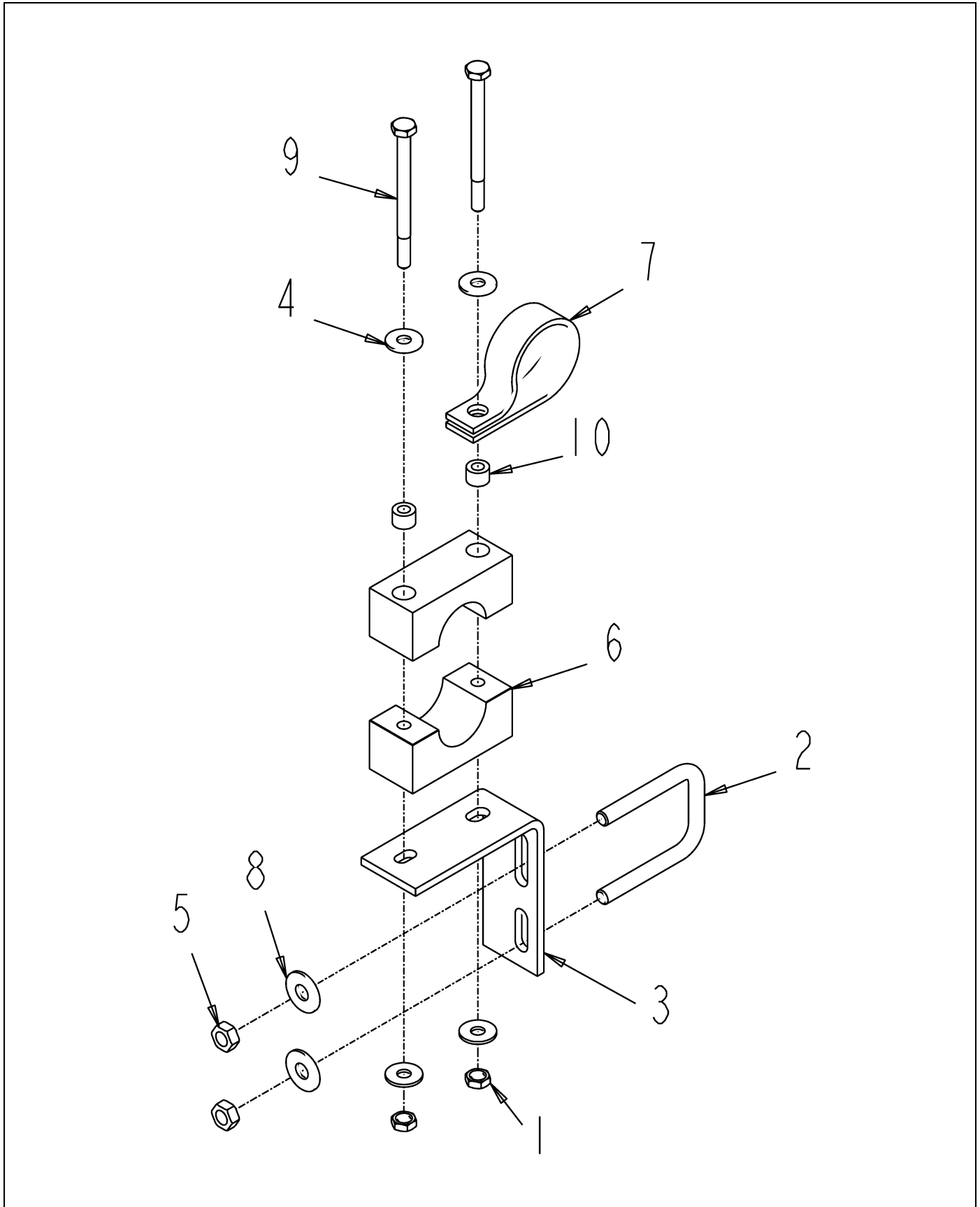
RETAINER ASM-BOOM,LIQ,COMBO



504795-A.TIF

RETAINER ASM-BOOM,LIQ,COMBO

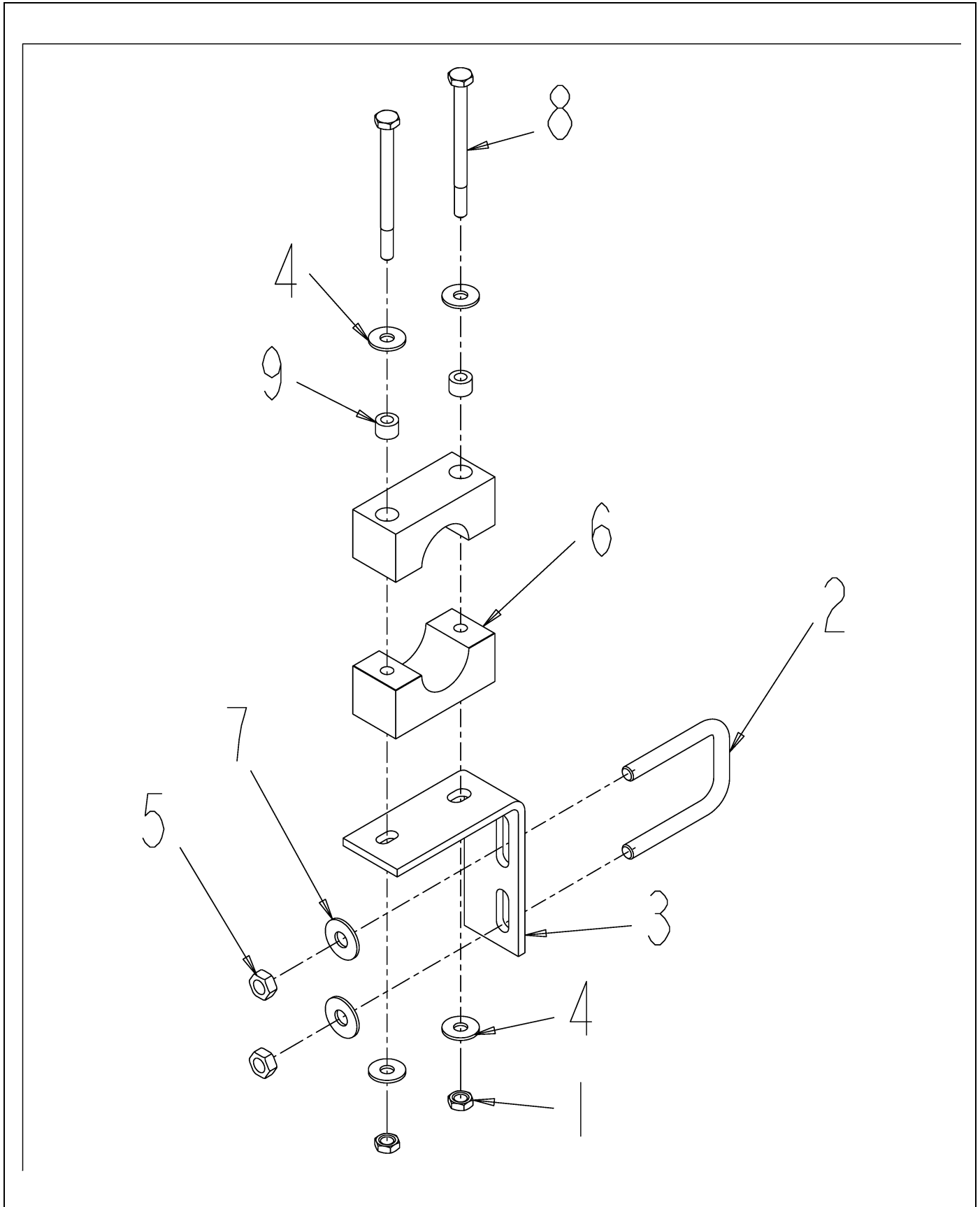
ITEM	PART #	QTY	DESCRIPTION	COMMENTS
1	AG425345	1	RETAINER WLDMT-CTR,LIQ,COMBO	
2	AG425341	2	RETAINER WLDMT-HORIZ,LIQ,COMBO	
3	AG425342	2	RETAINER WLDMT-VERT,LIQ,COMBO	
4	AG552127	4	BOLT 0.37-16NCX 2.25 G5 ZN HHD	
5	AG515981	4	COMPRESSION SLEEVE	
6	AG551007	8	WASHER 0.37 FL ZN REG TYPE-B	
7	AG604138	4	NUT 0.37-16NC HEX ZN HVY NY	
8	AG516105	2	PIN-COTTERLESS HITCH .37X3.50	
9	AG516060	-	CABLE NYLON COATED [BULK: 2.100 FT]	



122513-B.TIF

BRKT ASM-L,PP STAUFF 1.25 P

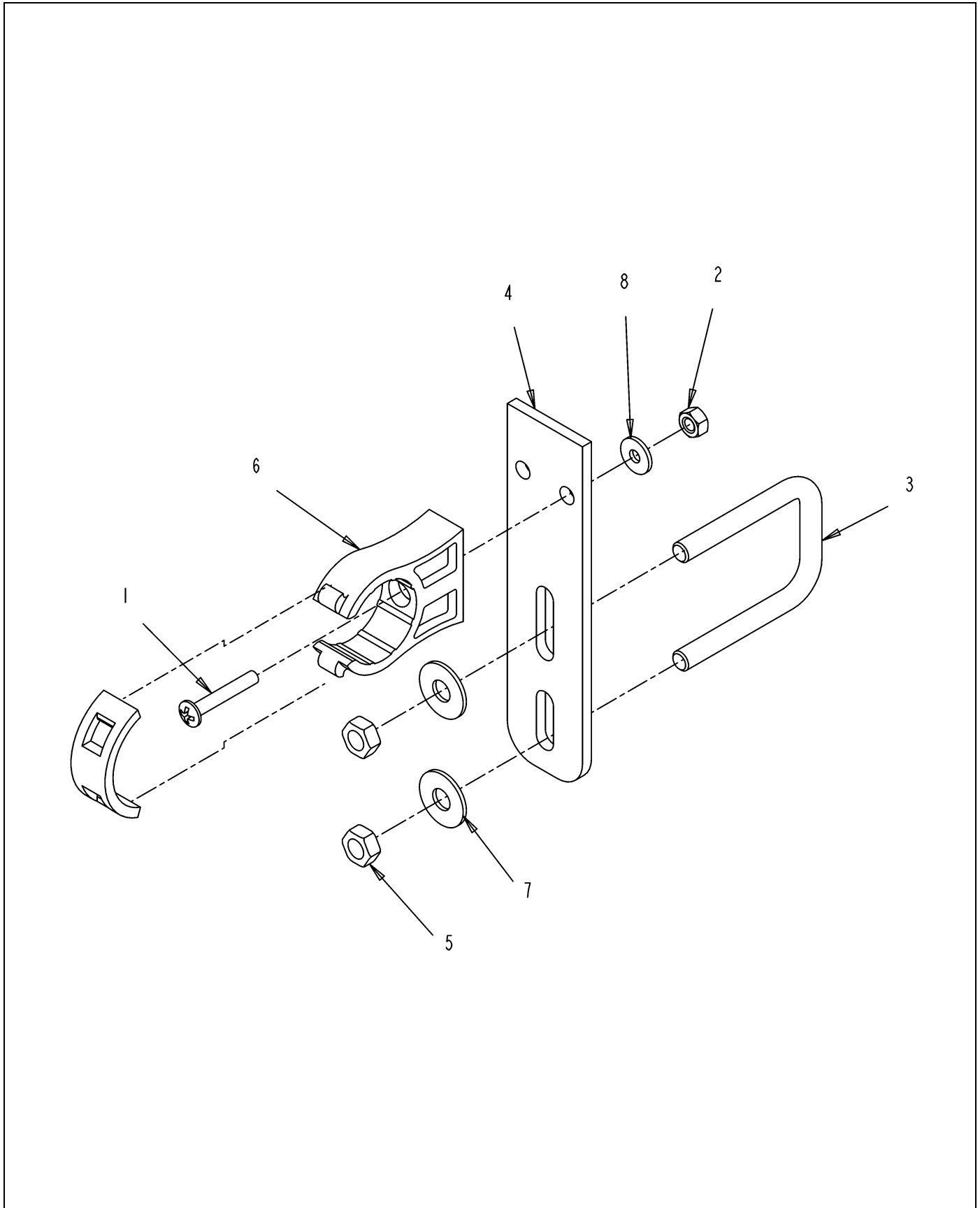
ITEM	PART #	QTY	DESCRIPTION	COMMENTS
1	AG027275	2	NUT 0.25-20NC HEX SS REG NY	
2	AG231204	1	BOLT-U .31-18X1.88X2.63	
3	AG232784	1	BRACKET STAND OFF WET BOOM	
4	AG515121	4	WASHER 0.25 FL SS REG TYPE-B	
5	AG516403	2	NUT 0.31-18NC HEX SS REG NY	
6	AG519748	1	CLAMP 1.00 PIPE	[A]
7	AG523412	1	CLAMP-1.62 DIA,COATED HOSE	
8	AG562074	2	WASHER 0.31 FL SS REG TYPE-B	
9	AG563061	2	BOLT 0.25-20NCX 3.25 SS HHD	
10	AG609777	2	INSERT STAUFF SPACER	
	FOOTNOTE [A]		2 INSERTS AND 2 CLAMP MAKE UP 1 PART. BOLT - AG563061, WASHER - AG515121, NUT - AG027275,	



122520-A.TIF

BRKT ASM-L,PP STAUFF

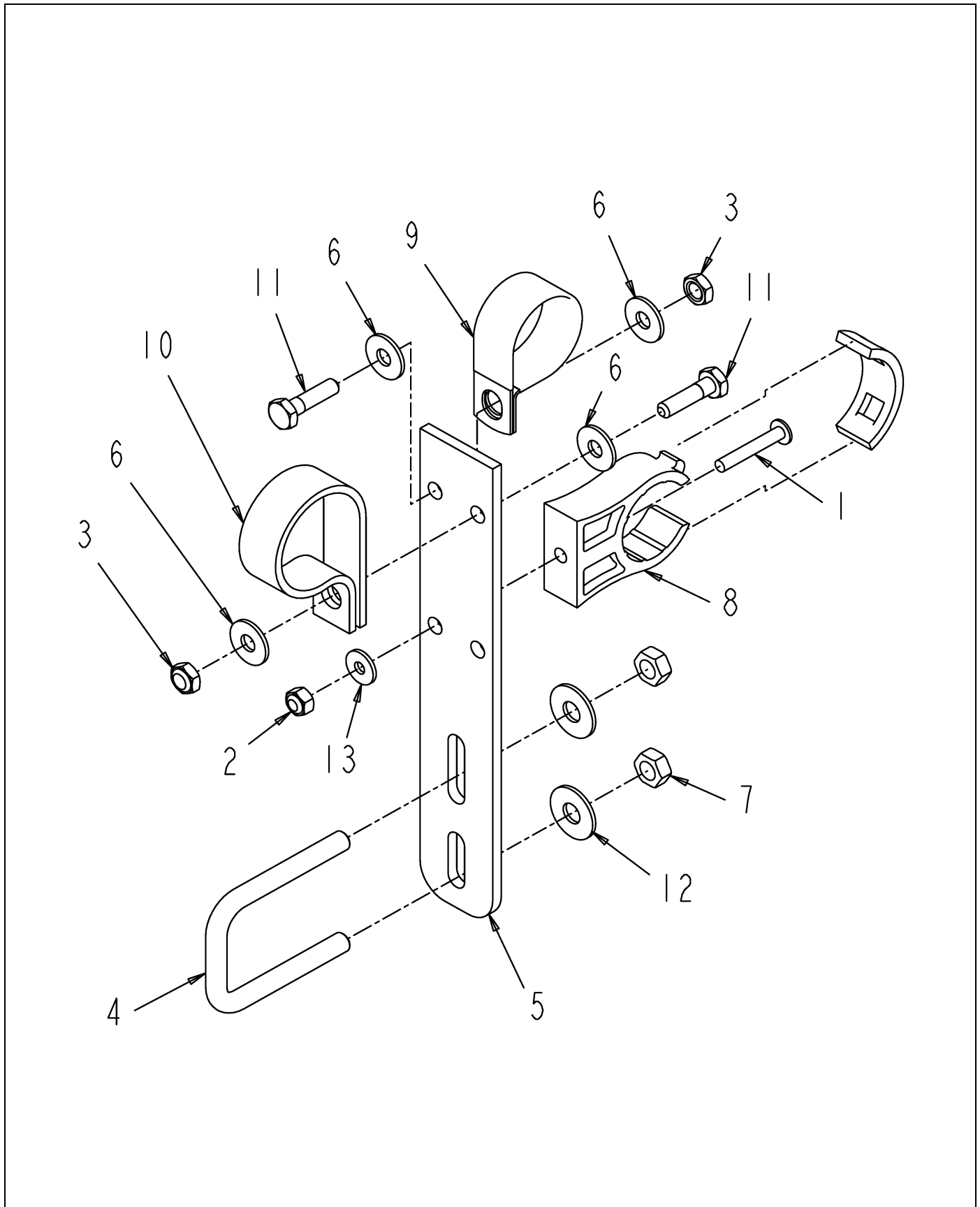
ITEM	PART #	QTY	DESCRIPTION	COMMENTS
1	AG027275	2	NUT 0.25-20NC HEX SS REG NY	
2	AG231204	1	BOLT-U .31-18X1.88X2.63	
3	AG232784	1	BRACKET STAND OFF WET BOOM	
4	AG515121	4	WASHER 0.25 FL SS REG TYPE-B	
5	AG516403	2	NUT 0.31-18NC HEX SS REG NY	
6	AG519748	1	CLAMP 1.00 PIPE	[A]
7	AG562074	2	WASHER 0.31 FL SS REG TYPE-B	
8	AG563061	2	BOLT 0.25-20NCX 3.25 SS HHD	
9	AG609777	2	INSERT STAUFF SPACER	
	FOOTNOTE [A]		2 INSERTS AND 2 CLAMP MAKE UP 1 PART. BOLT - AG563061, WASHER - AG515121, NUT - AG027275,	



122521-A.TIF

BRKT ASM-STR,SH,IPS CLP

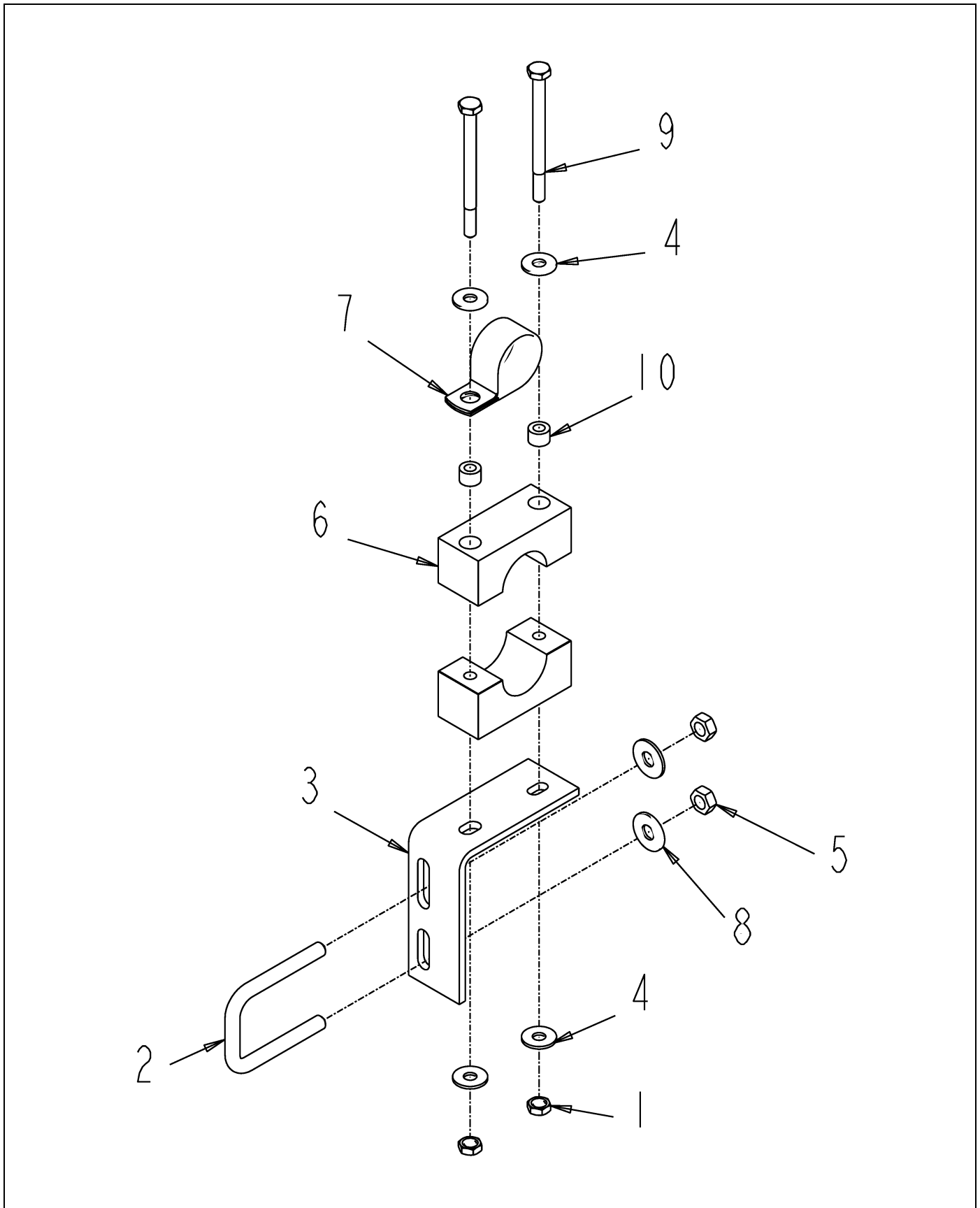
ITEM	PART #	QTY	DESCRIPTION	COMMENTS
1	AG027273	1	SCREW 10-24X 1.25 PHD PHILSS(P	
2	AG027274	1	NUT #10-24NC HEX SS REG NY	
3	AG231204	1	BOLT-U .31-18X1.88X2.63	
4	AG234373	1	BRACKET SHORT STANDOFF	
5	AG516403	2	NUT 0.31-18NC HEX SS REG NY	
6	AG519749	1	CLAMP 1.00 IPS POLY	
7	AG562074	2	WASHER 0.31 FL SS REG TYPE-B	
8	AG562082	1	WASHER #10 FL SS REG TYPE-B	



122608-B.TIF

BRKT ASM-STR,LS,IPS,1.25 P CLP

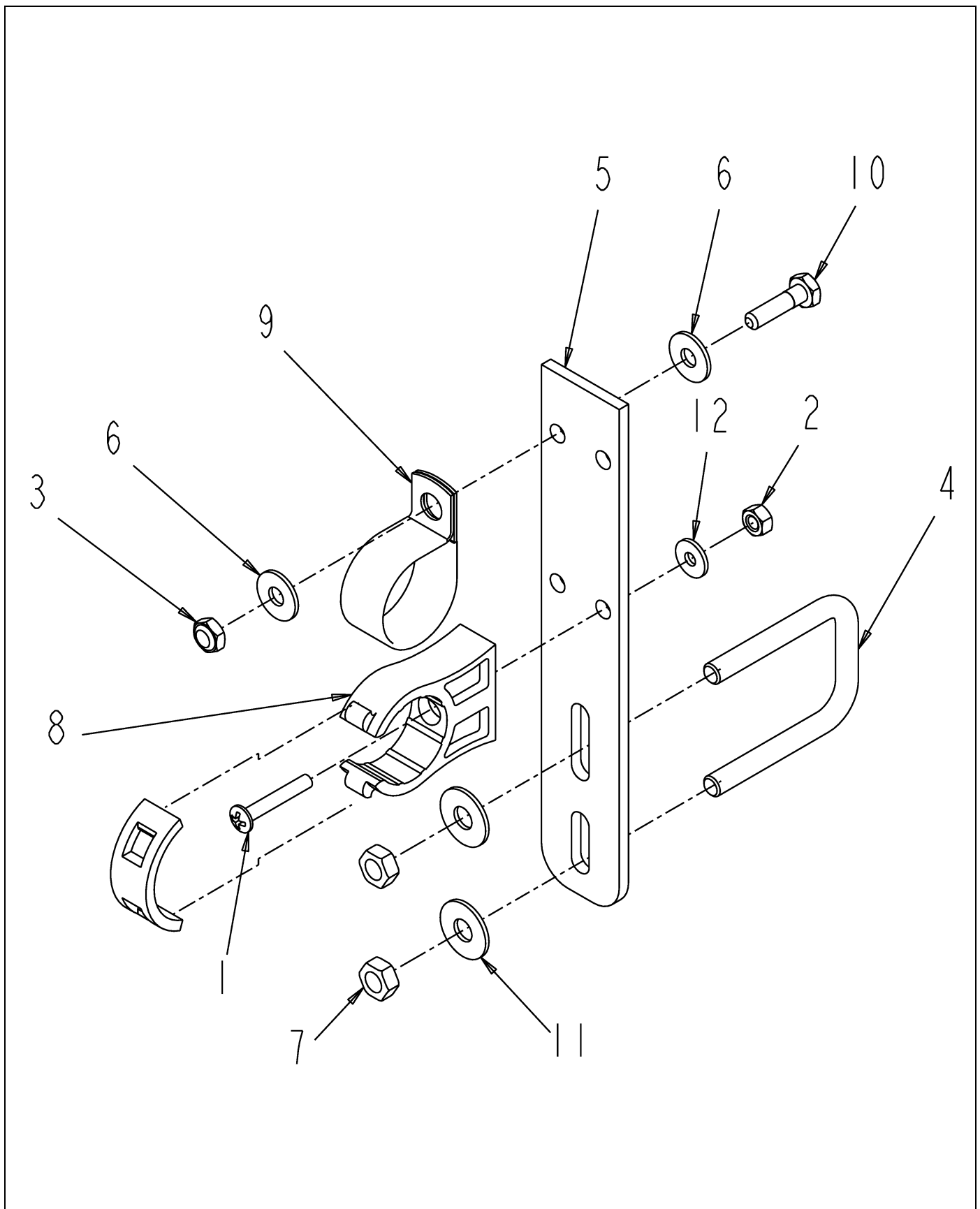
ITEM	PART #	QTY	DESCRIPTION	COMMENTS
1	AG027273	1	SCREW 10-24X 1.25 PHD PHILSS(P	
2	AG027274	1	NUT #10-24NC HEX SS REG NY	
3	AG027275	2	NUT 0.25-20NC HEX SS REG NY	
4	AG231204	1	BOLT-U .31-18X1.88X2.63	
5	AG234375	1	BRACKET LONG STANDOFF	
6	AG515121	4	WASHER 0.25 FL SS REG TYPE-B	
7	AG516403	2	NUT 0.31-18NC HEX SS REG NY	
8	AG519749	1	CLAMP 1.00 IPS POLY	
9	AG519751	1	CLAMP 1.38 DIA COATED HOSE	
10	AG523412	1	CLAMP-1.62 DIA,COATED HOSE	
11	AG562064	2	BOLT 0.25-20NCX 1.00 SS HHD	
12	AG562074	2	WASHER 0.31 FL SS REG TYPE-B	
13	AG562082	1	WASHER #10 FL SS REG TYPE-B	



122610-C.TIF

BRKT ASM-L,PP STAUFF,CTR P CLP

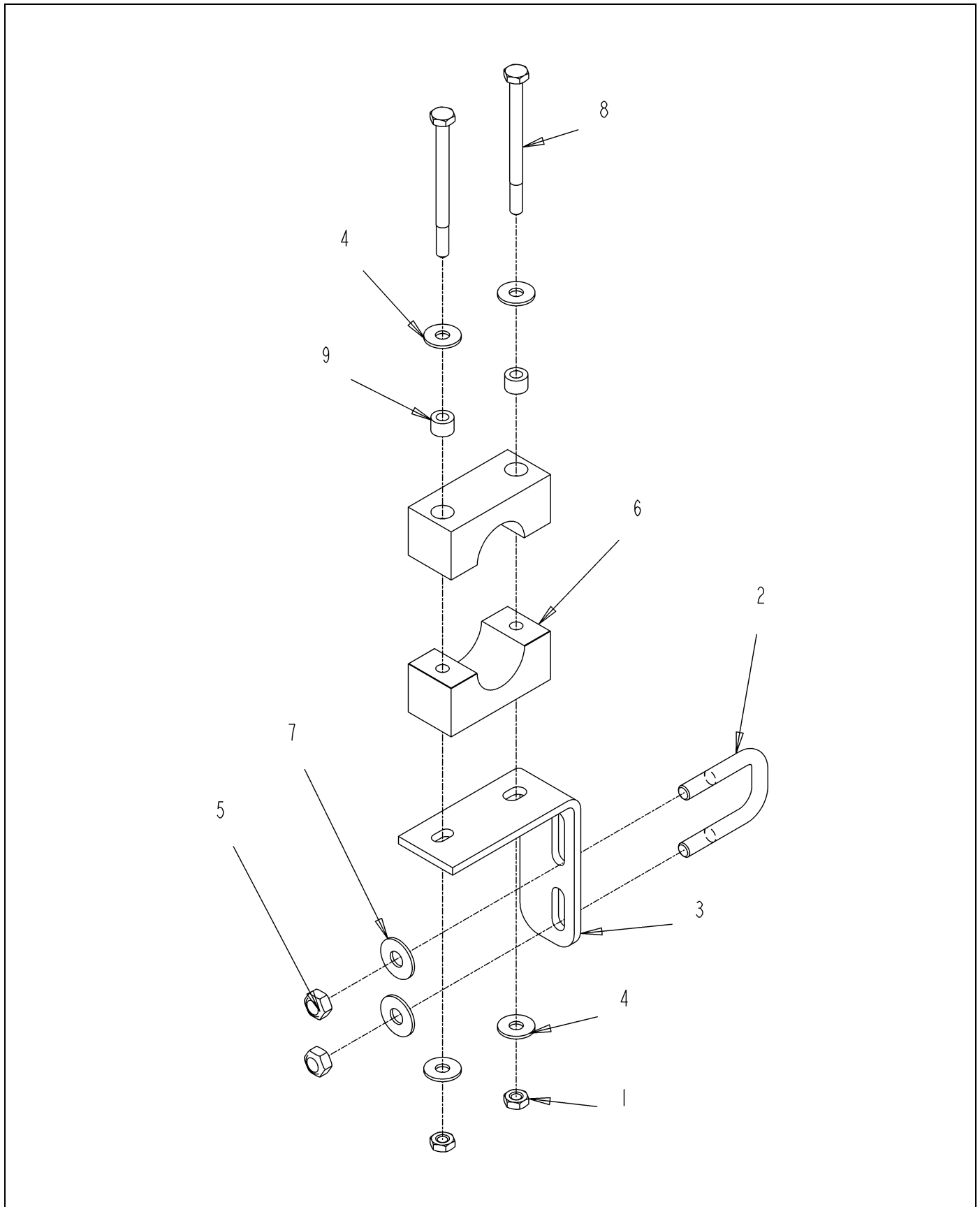
ITEM	PART #	QTY	DESCRIPTION	COMMENTS
1	AG027275	2	NUT 0.25-20NC HEX SS REG NY	
2	AG231204	1	BOLT-U .31-18X1.88X2.63	
3	AG232784	1	BRACKET STAND OFF WET BOOM	
4	AG515121	4	WASHER 0.25 FL SS REG TYPE-B	
5	AG516403	2	NUT 0.31-18NC HEX SS REG NY	
6	AG519748	1	CLAMP 1.00 PIPE	[A]
7	AG560480	1	CLAMP 1.25-COATED HOSE CO	
8	AG562074	2	WASHER 0.31 FL SS REG TYPE-B	
9	AG563061	2	BOLT 0.25-20NCX 3.25 SS HHD	
10	AG609777	2	INSERT STAUFF SPACER	
	FOOTNOTE [A]		2 INSERTS AND 2 CLAMP MAKE UP 1 PART. BOLT - AG563061, WASHER - AG515121, NUT - AG027275,	



122957-A.TIF

BRKT ASM-STR,LG,IPS,P CLP

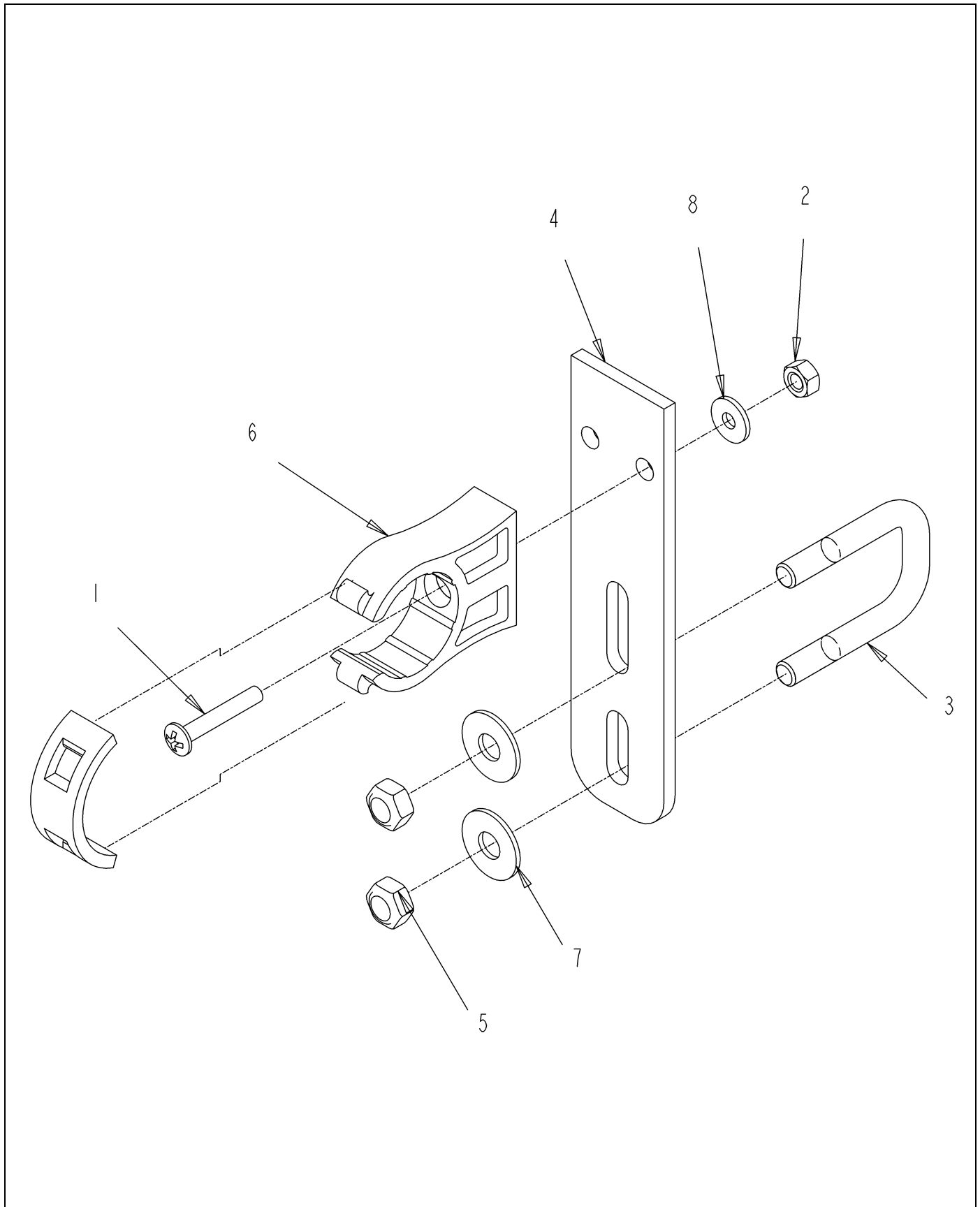
ITEM	PART #	QTY	DESCRIPTION	COMMENTS
1	AG027273	1	SCREW 10-24X 1.25 PHD PHILSS(P	
2	AG027274	1	NUT #10-24NC HEX SS REG NY	
3	AG027275	1	NUT 0.25-20NC HEX SS REG NY	
4	AG231204	1	BOLT-U .31-18X1.88X2.63	
5	AG234375	1	BRACKET LONG STANDOFF	
6	AG515121	2	WASHER 0.25 FL SS REG TYPE-B	
7	AG516403	2	NUT 0.31-18NC HEX SS REG NY	
8	AG519749	1	CLAMP 1.00 IPS POLY	
9	AG519751	1	CLAMP 1.38 DIA COATED HOSE	
10	AG562064	1	BOLT 0.25-20NCX 1.00 SS HHD	
11	AG562074	2	WASHER 0.31 FL SS REG TYPE-B	
12	AG562082	1	WASHER #10 FL SS REG TYPE-B	



129085.TIF

BRKT ASM-L,PP STAUFF,1.00U

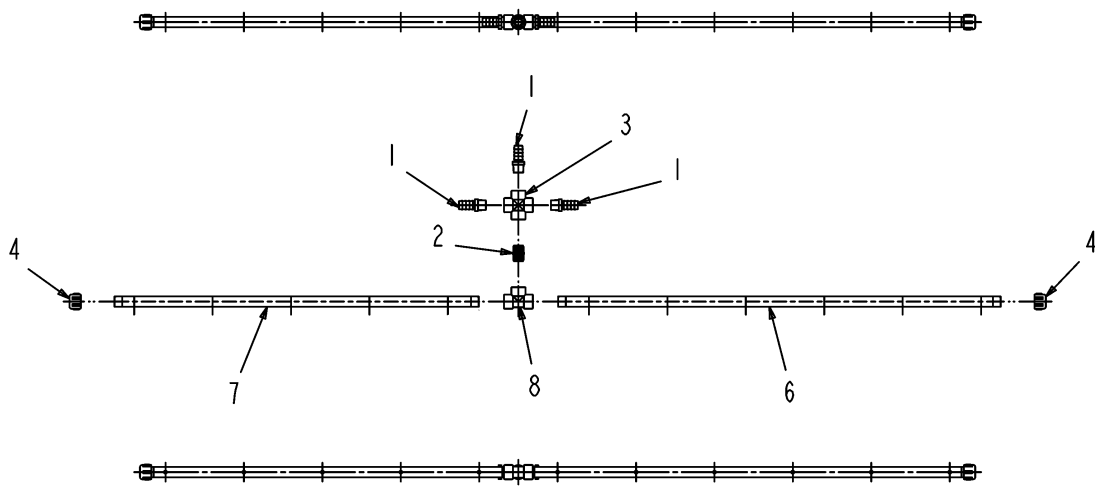
ITEM	PART #	QTY	DESCRIPTION	COMMENTS
1	AG027275	2	NUT 0.25-20NC HEX SS REG NY	
2	WR129144	1	BOLT-U,,31-18X1.06X1.97,SQ,SS	
3	AG232784	1	BRACKET STAND OFF WET BOOM	
4	AG515121	4	WASHER 0.25 FL SS REG TYPE-B	
5	AG516403	2	NUT 0.31-18NC HEX SS REG NY	
6	AG519748	1	CLAMP 1.00 PIPE	[A]
7	AG562074	2	WASHER 0.31 FL SS REG TYPE-B	
8	AG563061	2	BOLT 0.25-20NCX 3.25 SS HHD	
9	AG609777	2	INSERT STAUFF SPACER	
	FOOTNOTE [A]		2 INSERTS AND 2 CLAMP MAKE UP 1 PART. BOLT - AG563061, WASHER - AG515121, NUT - AG027275,	



129086.TIF

BRKT ASM-STR,SH,IPS CLP,1.00U

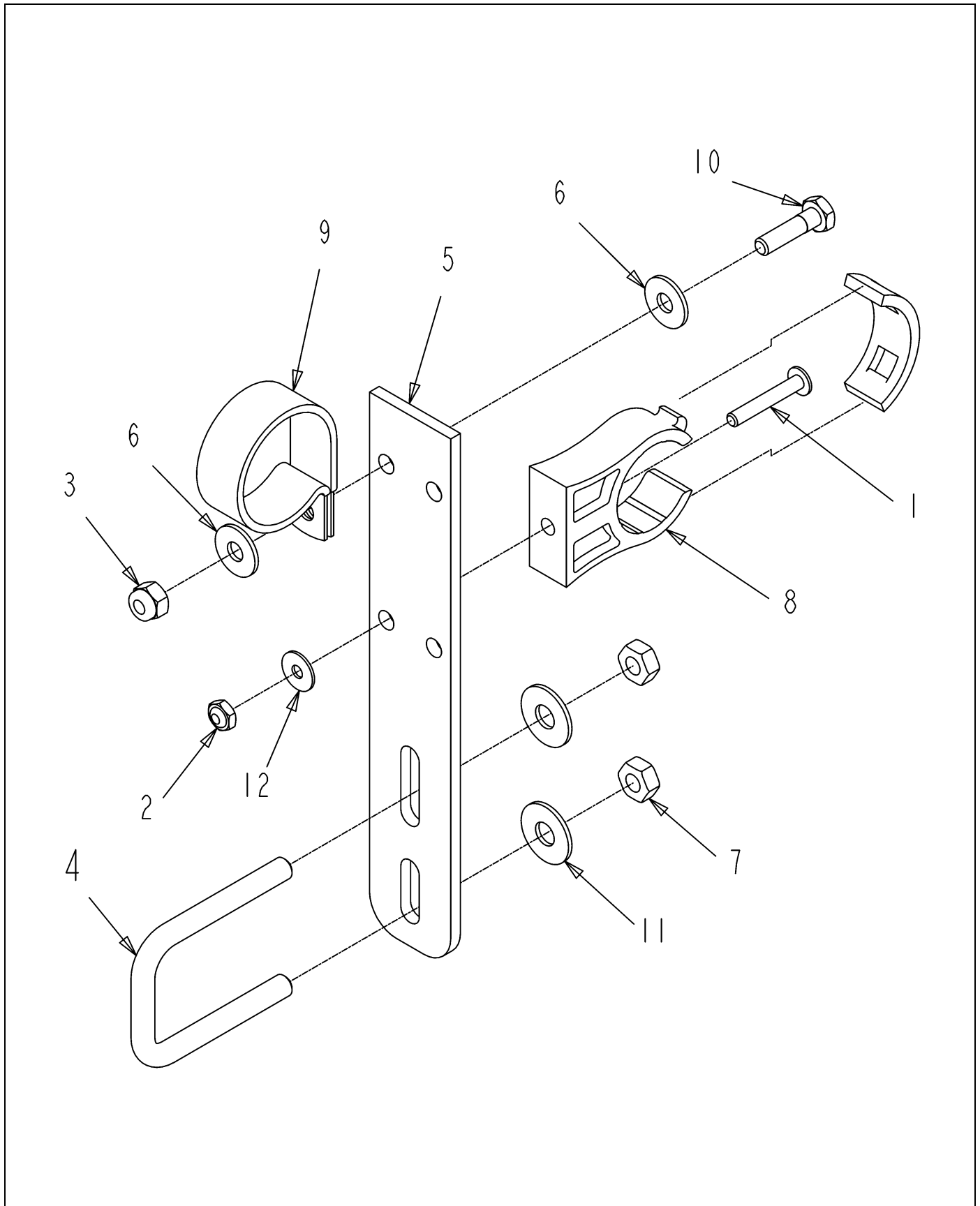
ITEM	PART #	QTY	DESCRIPTION	COMMENTS
1	AG027273	1	SCREW 10-24X 1.25 PHD PHILSS(P	
2	AG027274	1	NUT #10-24NC HEX SS REG NY	
3	WR129144	1	BOLT-U,,.31-18X1.06X1.97,SQ,SS	
4	AG234373	1	BRACKET SHORT STANDOFF	
5	AG516403	2	NUT 0.31-18NC HEX SS REG NY	
6	AG519749	1	CLAMP 1.00 IPS POLY	
7	AG562074	2	WASHER 0.31 FL SS REG TYPE-B	
8	AG562082	1	WASHER #10 FL SS REG TYPE-B	



134642-A.tif

PIPE ASM-X W/3 1.00HB,11X10,PP

ITEM	PART #	QTY	DESCRIPTION	COMMENTS
1	AG051059	3	BARB-HOSE,1.00MNPTX1.00BARB,PP	
2	AG051153	1	NIPPLE-PIPE,1.00NPTXCLS,PP	
3	AG051442	1	CROSS-PIPE,1.00FNPT,PP	
4	AG051536	2	CAP-PIPE,1.00NPT PP	
5	AG129187	AR	PIPE SEALANT-FLEX BLACK	
6	AG239937	1	TUBE-POLY,56.44,10IN CTR	
7	AG239938	1	TUBE-POLY,46.44,10IN CTR	
8	AG516405	1	TEE,PIPE,1.00FNPT,PP	

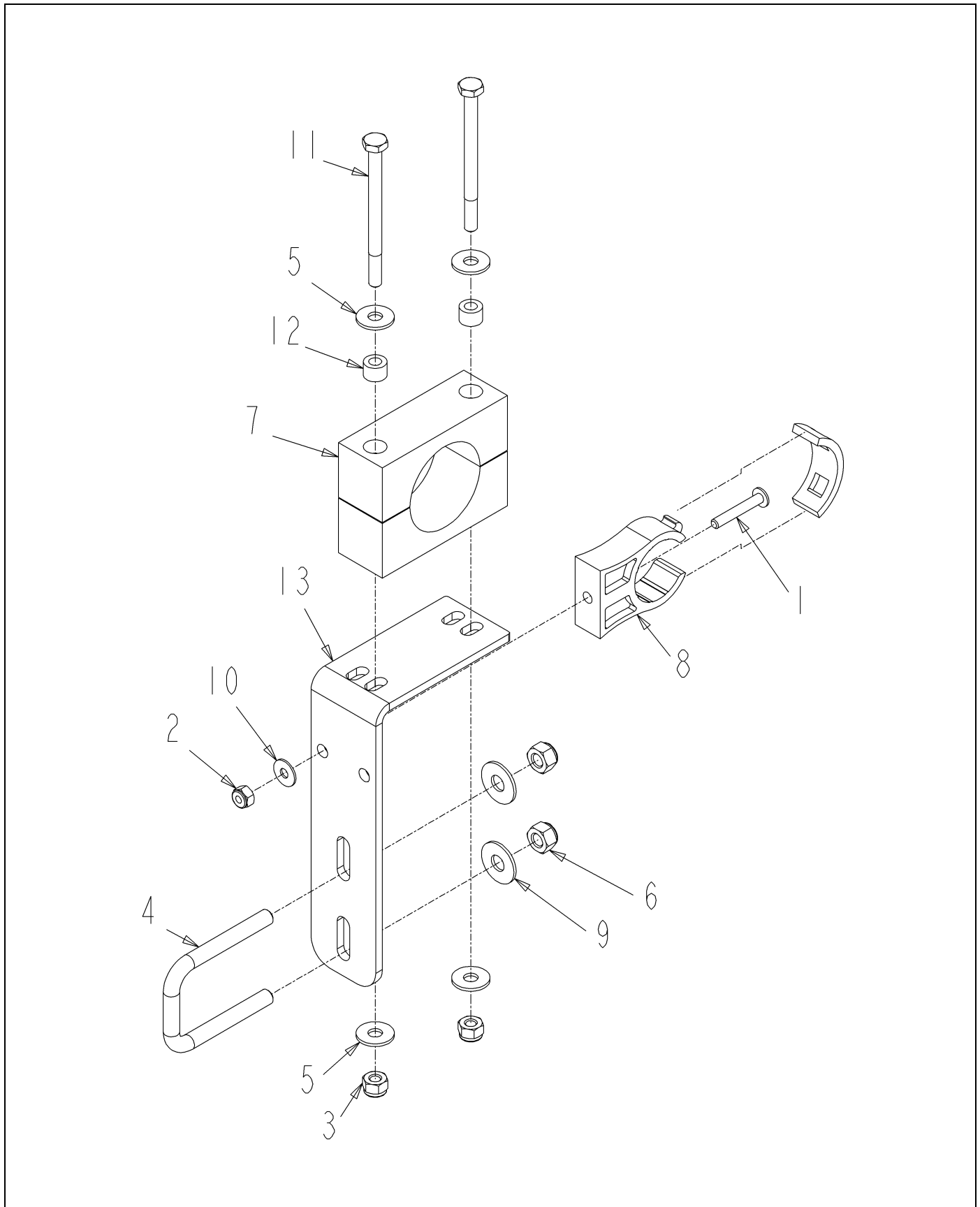


506721D1-01-M790-.TIF

BRKT ASM-STR,LG,IPS,1.62 PCLP

ITEM	PART #	QTY	DESCRIPTION	COMMENTS
1	AG027273	1	SCREW 10-24X 1.25 PHD PHILSS(P	
2	AG027274	1	NUT #10-24NC HEX SS REG NY	
3	AG027275	1	NUT 0.25-20NC HEX SS REG NY	
4	AG231204	1	BOLT-U .31-18X1.88X2.63	
5	AG234375	1	BRACKET LONG STANDOFF	
6	AG515121	2	WASHER 0.25 FL SS REG TYPE-B	
7	AG516403	2	NUT 0.31-18NC HEX SS REG NY	
8	AG519749	1	CLAMP 1.00 IPS POLY	
9	AG523412	1	CLAMP-1.62 DIA,COATED HOSE	
10	AG562064	1	BOLT 0.25-20NCX 1.00 SS HHD	
11	AG562074	2	WASHER 0.31 FL SS REG TYPE-B	
12	AG562082	1	WASHER #10 FL SS REG TYPE-B	

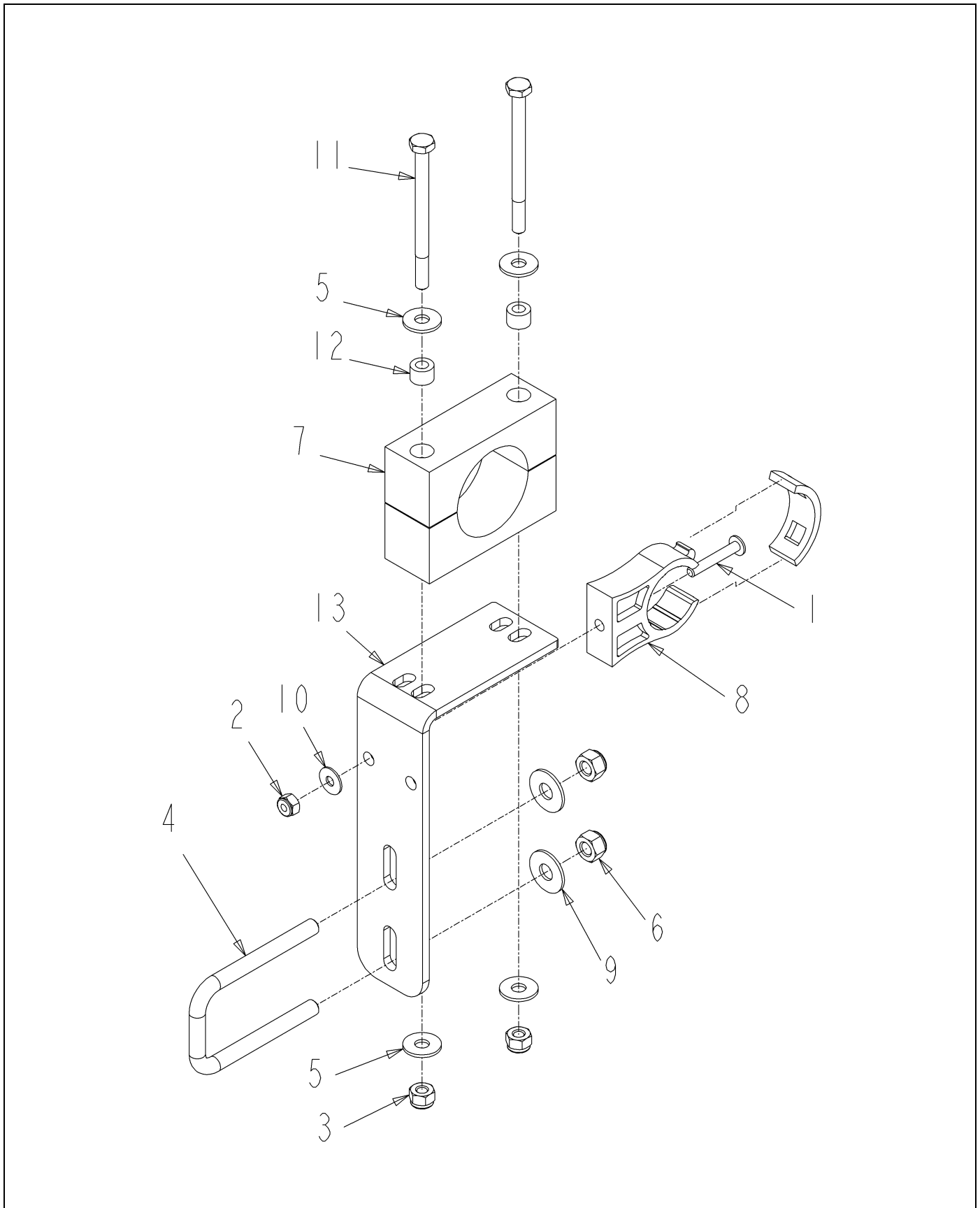
BRKT ASM-L,1IPS,1.50 STAUFF



506722D1-02-R286-.TIF

BRKT ASM-L,1IPS,1.50 STAUFF

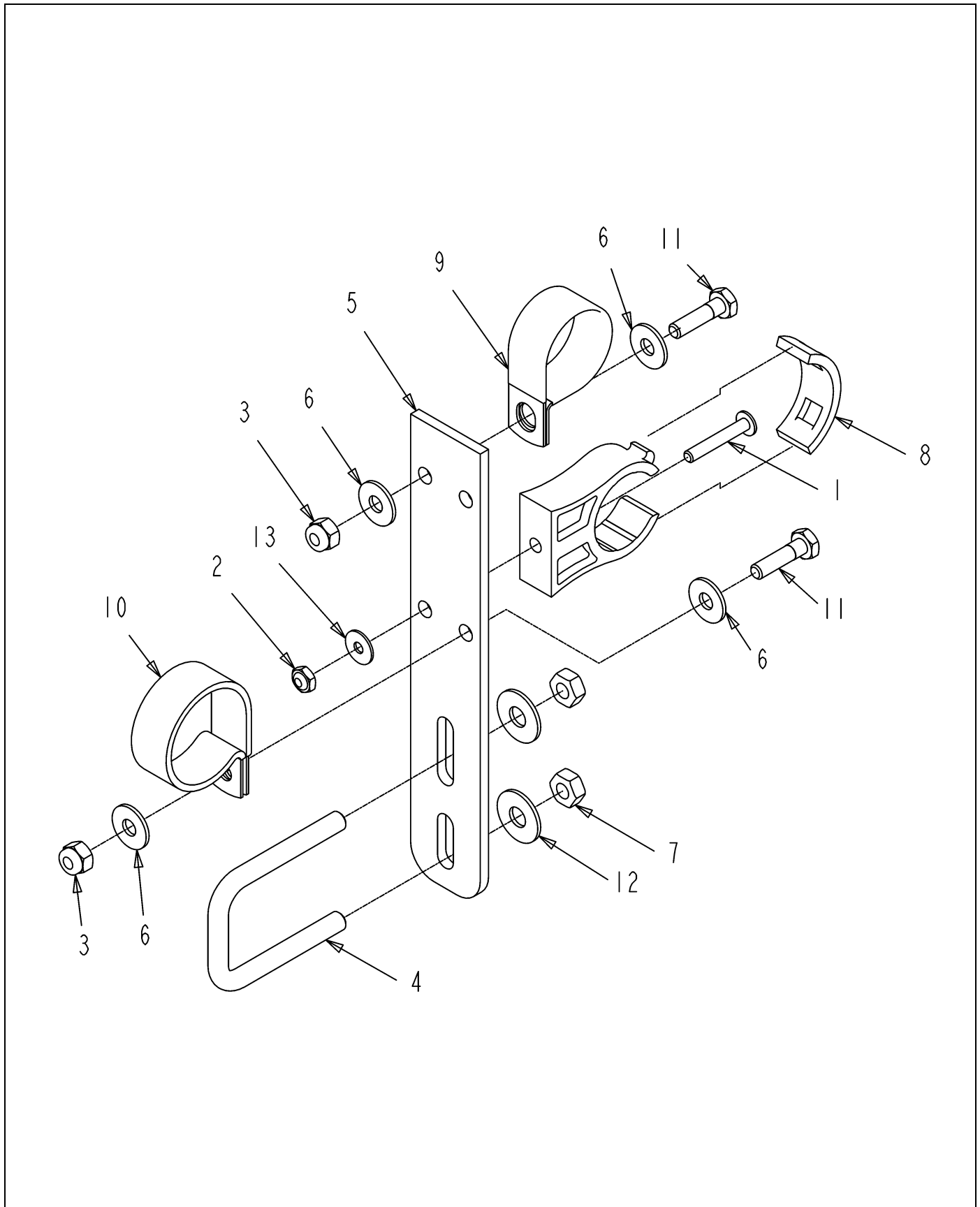
ITEM	PART #	QTY	DESCRIPTION	COMMENTS
1	AG027273	1	SCREW 10-24X 1.25 PHD PHILSS(P	
2	AG027274	1	NUT #10-24NC HEX SS REG NY	
3	AG027275	2	NUT 0.25-20NC HEX SS REG NY	
4	AG231204	1	BOLT-U .31-18X1.88X2.63	
5	AG515121	4	WASHER 0.25 FL SS REG TYPE-B	
6	AG516403	2	NUT 0.31-18NC HEX SS REG NY	
7	AG519180	1	CLAMP 1.50 BLACK POLY	
8	AG519749	1	CLAMP 1.00 IPS POLY	
9	AG562074	2	WASHER 0.31 FL SS REG TYPE-B	
10	AG562082	1	WASHER #10 FL SS REG TYPE-B	
11	AG563061	2	BOLT 0.25-20NCX 3.25 SS HHD	
12	AG609777	2	INSERT STAUFF SPACER	
13	506785D1	1	BRKT-MTG,CLAMP,STAUFF,1.50	



506723D1-02-R286-.TIF

BRKT ASM-L,1IPS,1.50 STAUFF,LG

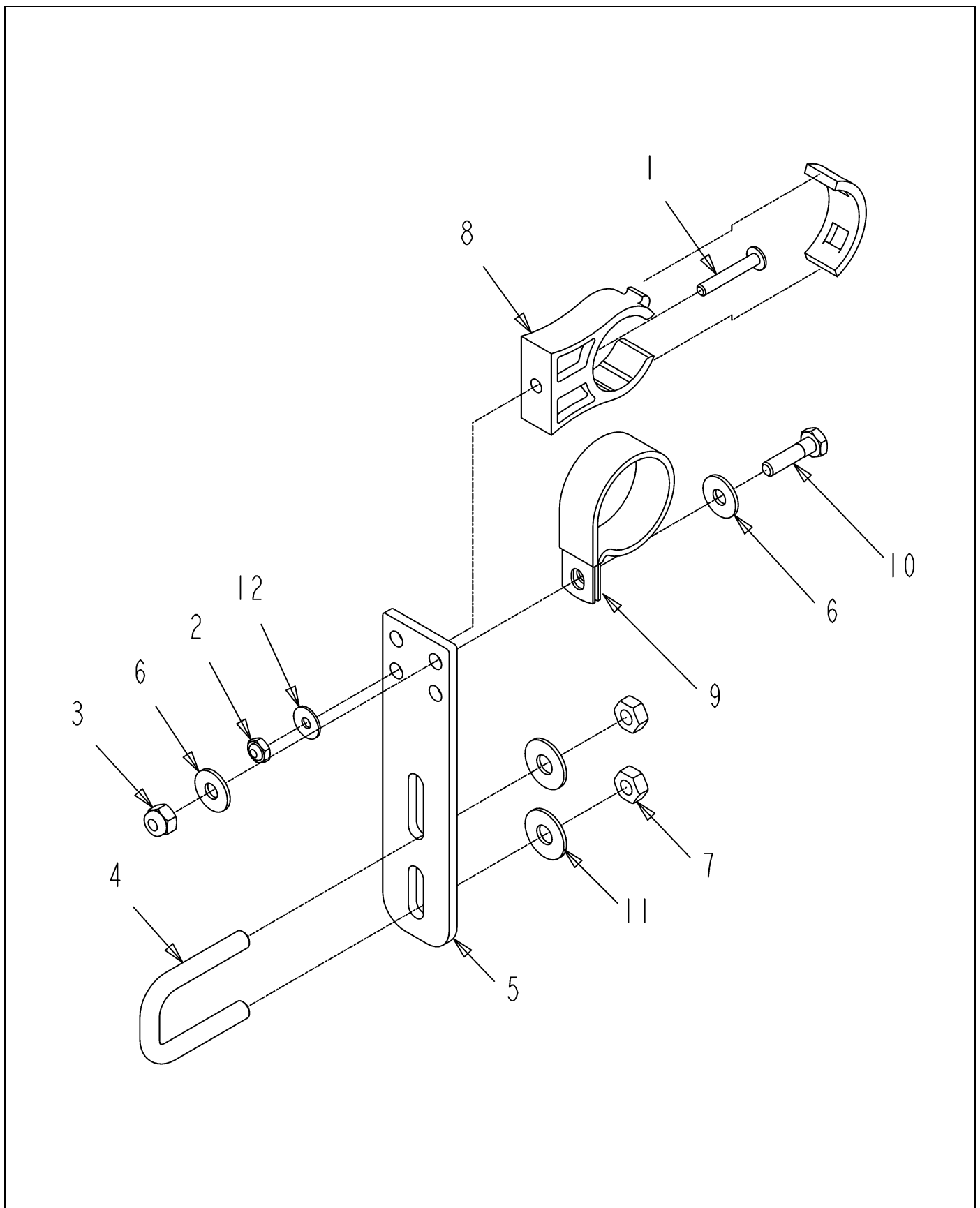
ITEM	PART #	QTY	DESCRIPTION	COMMENTS
1	AG027273	1	SCREW 10-24X 1.25 PHD PHILSS(P	
2	AG027274	1	NUT #10-24NC HEX SS REG NY	
3	AG027275	2	NUT 0.25-20NC HEX SS REG NY	
4	AG261322	1	BOLT-U .31-18X1.56X 2.97SQ,SS	
5	AG515121	4	WASHER 0.25 FL SS REG TYPE-B	
6	AG516403	2	NUT 0.31-18NC HEX SS REG NY	
7	AG519180	1	CLAMP 1.50 BLACK POLY	
8	AG519749	1	CLAMP 1.00 IPS POLY	
9	AG562074	2	WASHER 0.31 FL SS REG TYPE-B	
10	AG562082	1	WASHER #10 FL SS REG TYPE-B	
11	AG563061	2	BOLT 0.25-20NCX 3.25 SS HHD	
12	AG609777	2	INSERT STAUFF SPACER	
13	506785D1	1	BRKT-MTG,CLAMP,STAUFF,1.50	



506724D1-01-M790-.TIF

BRKT ASM-STR,LG,IPS,2PCLP

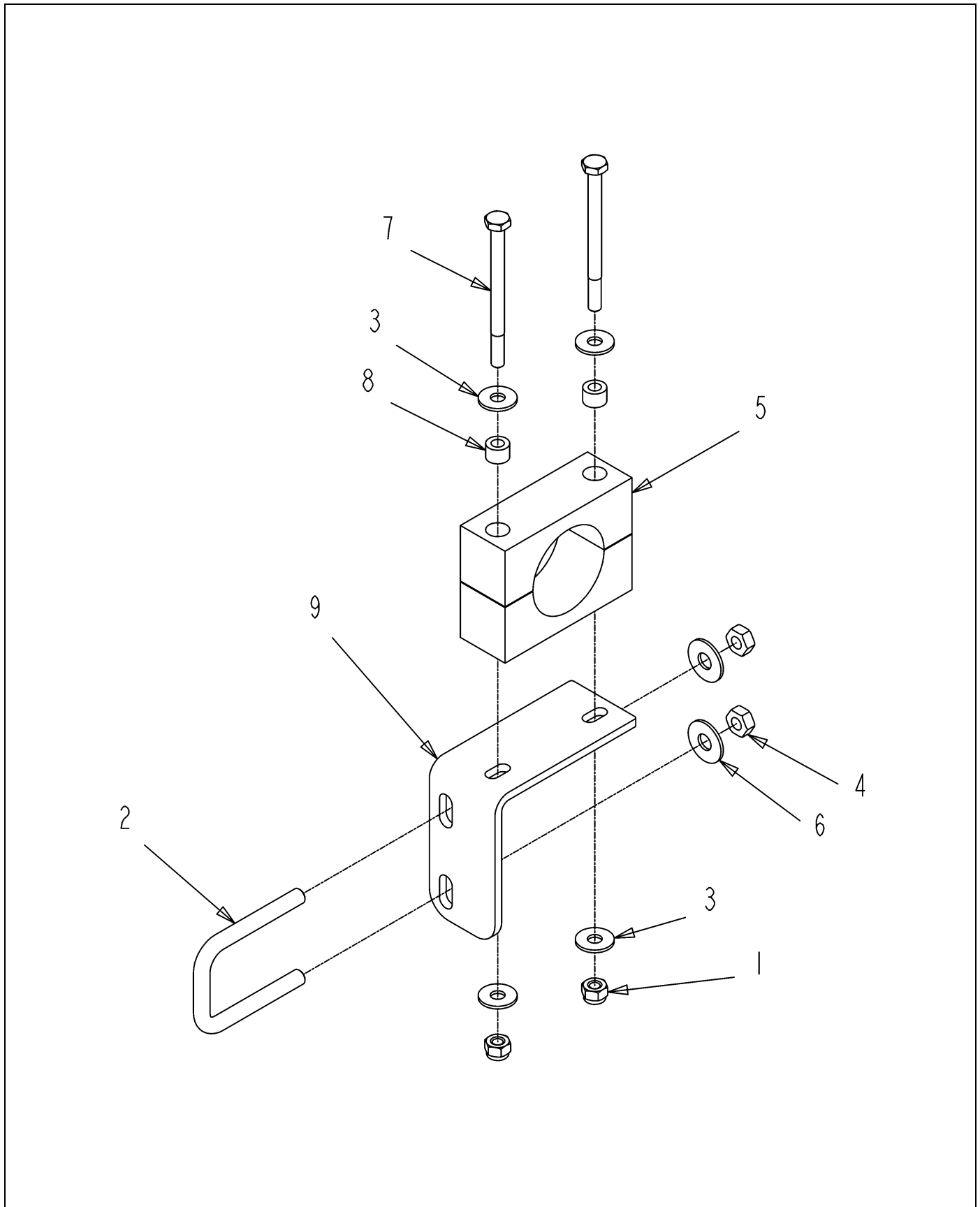
ITEM	PART #	QTY	DESCRIPTION	COMMENTS
1	AG027273	1	SCREW 10-24X 1.25 PHD PHILSS(P	
2	AG027274	1	NUT #10-24NC HEX SS REG NY	
3	AG027275	2	NUT 0.25-20NC HEX SS REG NY	
4	AG231204	1	BOLT-U .31-18X1.88X2.63	
5	AG234375	1	BRACKET LONG STANDOFF	
6	AG515121	4	WASHER 0.25 FL SS REG TYPE-B	
7	AG516403	2	NUT 0.31-18NC HEX SS REG NY	
8	AG519749	1	CLAMP 1.00 IPS POLY	
9	AG519751	1	CLAMP 1.38 DIA COATED HOSE	
10	AG523412	1	CLAMP-1.62 DIA,COATED HOSE	
11	AG562064	2	BOLT 0.25-20NCX 1.00 SS HHD	
12	AG562074	2	WASHER 0.31 FL SS REG TYPE-B	
13	AG562082	1	WASHER #10 FL SS REG TYPE-B	



506725D1-01-M790-.TIF

BRKT ASM-STR,SH,IPS,1.25,1.00

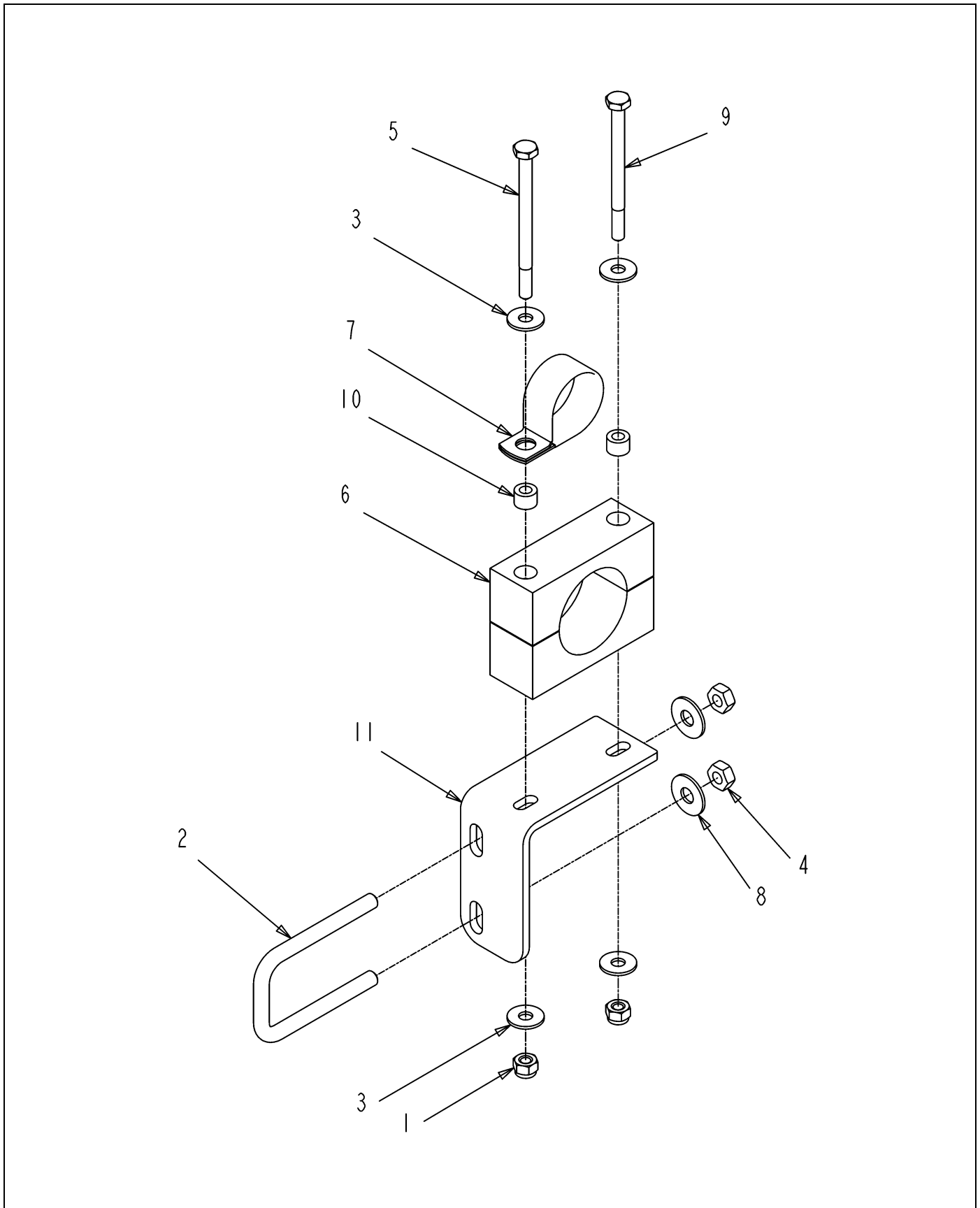
ITEM	PART #	QTY	DESCRIPTION	COMMENTS
1	AG027273	1	SCREW 10-24X 1.25 PHD PHILSS(P	
2	AG027274	1	NUT #10-24NC HEX SS REG NY	
3	AG027275	1	NUT 0.25-20NC HEX SS REG NY	
4	WR129144	1	BOLT-U,,31-18X1.06X1.97,SQ,SS	
5	AG234373	1	BRACKET SHORT STANDOFF	
6	AG515121	2	WASHER 0.25 FL SS REG TYPE-B	
7	AG516403	2	NUT 0.31-18NC HEX SS REG NY	
8	AG519749	1	CLAMP 1.00 IPS POLY	
9	AG523412	1	CLAMP-1.62 DIA,COATED HOSE	
10	AG562064	1	BOLT 0.25-20NCX 1.00 SS HHD	
11	AG562074	2	WASHER 0.31 FL SS REG TYPE-B	
12	AG562082	1	WASHER #10 FL SS REG TYPE-B	



506726D1-01-M790-.TIF

BRKT ASM-L,1.50 STAUFF,STD U

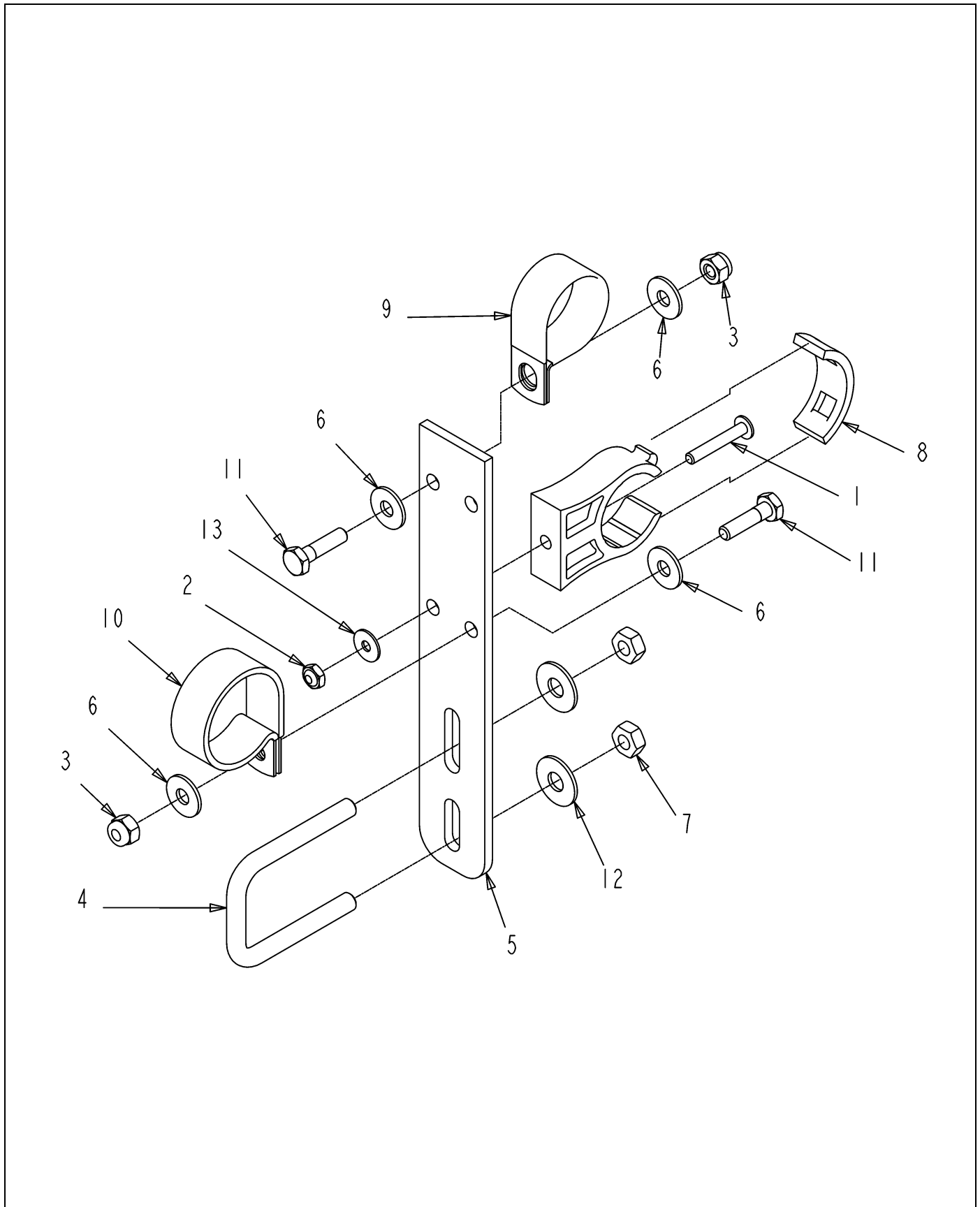
ITEM	PART #	QTY	DESCRIPTION	COMMENTS
1	AG027275	2	NUT 0.25-20NC HEX SS REG NY	
2	AG231204	1	BOLT-U .31-18X1.88X2.63	
3	AG515121	4	WASHER 0.25 FL SS REG TYPE-B	
4	AG516403	2	NUT 0.31-18NC HEX SS REG NY	
5	AG519180	1	CLAMP 1.50 BLACK POLY	
6	AG562074	2	WASHER 0.31 FL SS REG TYPE-B	
7	AG563061	2	BOLT 0.25-20NCX 3.25 SS HHD	
8	AG609777	2	INSERT STAUFF SPACER	
9	506786D1	1	BRKT-MTG,SH,CLAMP,STAUFF,1.50	



506727D1-01-M790-.TIF

BRKT ASM-L,1.50 STAUFF,P,LG U

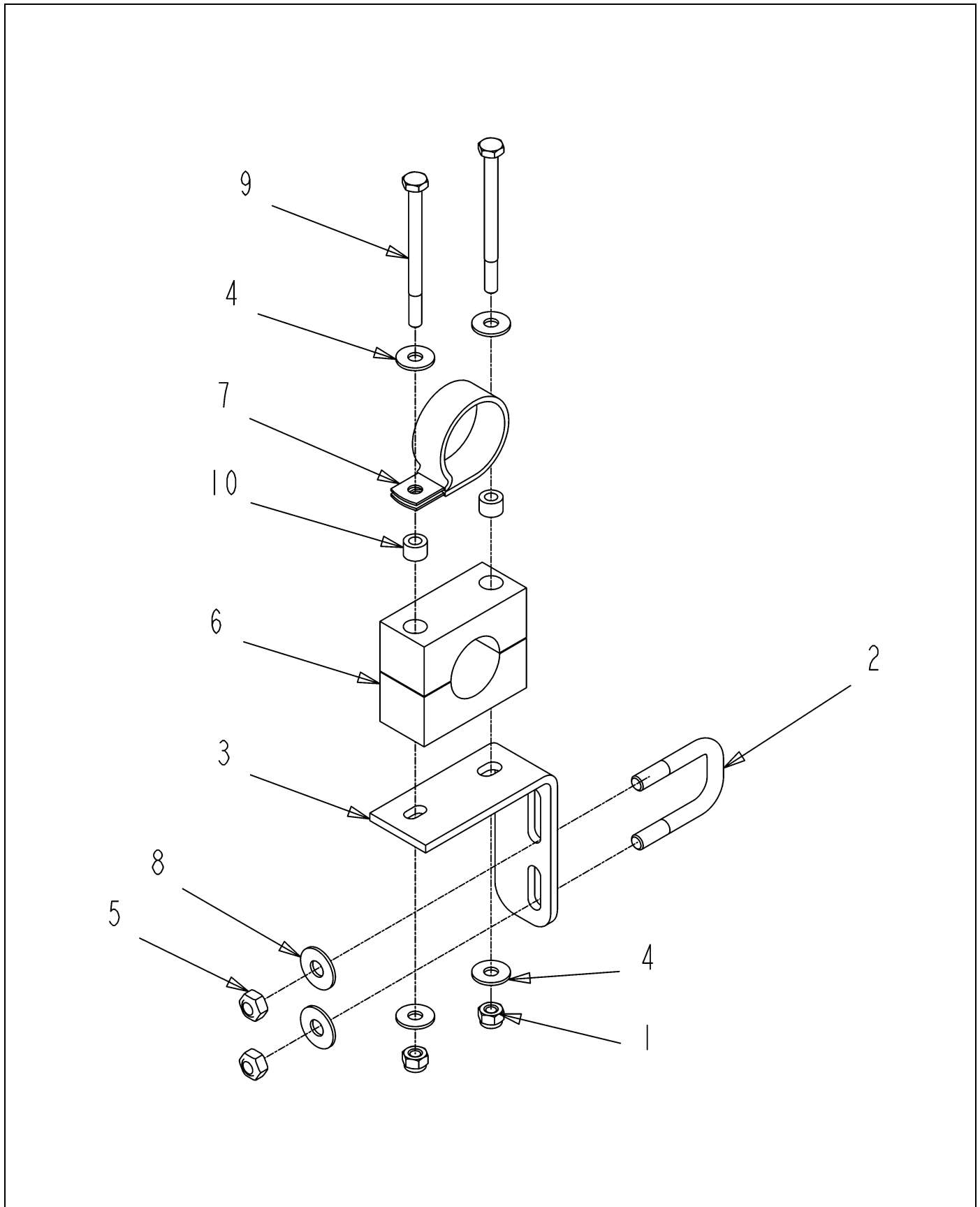
ITEM	PART #	QTY	DESCRIPTION	COMMENTS
1	AG027275	2	NUT 0.25-20NC HEX SS REG NY	
2	AG261322	1	BOLT-U .31-18X1.56X 2.97SQ,SS	
3	AG515121	4	WASHER 0.25 FL SS REG TYPE-B	
4	AG516403	2	NUT 0.31-18NC HEX SS REG NY	
5	AG518507	1	BOLT 0.25-20NCX 3.50 SS HHD	
6	AG519180	1	CLAMP 1.50 BLACK POLY	
7	AG519751	1	CLAMP 1.38 DIA COATED HOSE	
8	AG562074	2	WASHER 0.31 FL SS REG TYPE-B	
9	AG563061	2	BOLT 0.25-20NCX 3.25 SS HHD	
10	AG609777	2	INSERT STAUFF SPACER	
11	506786D1	1	BRKT-MTG,SH,CLAMP,STAUFF,1.50	



506728D1-01-M790-.TIF

BRKT ASM-STR,LG,IPS,2XP CLP

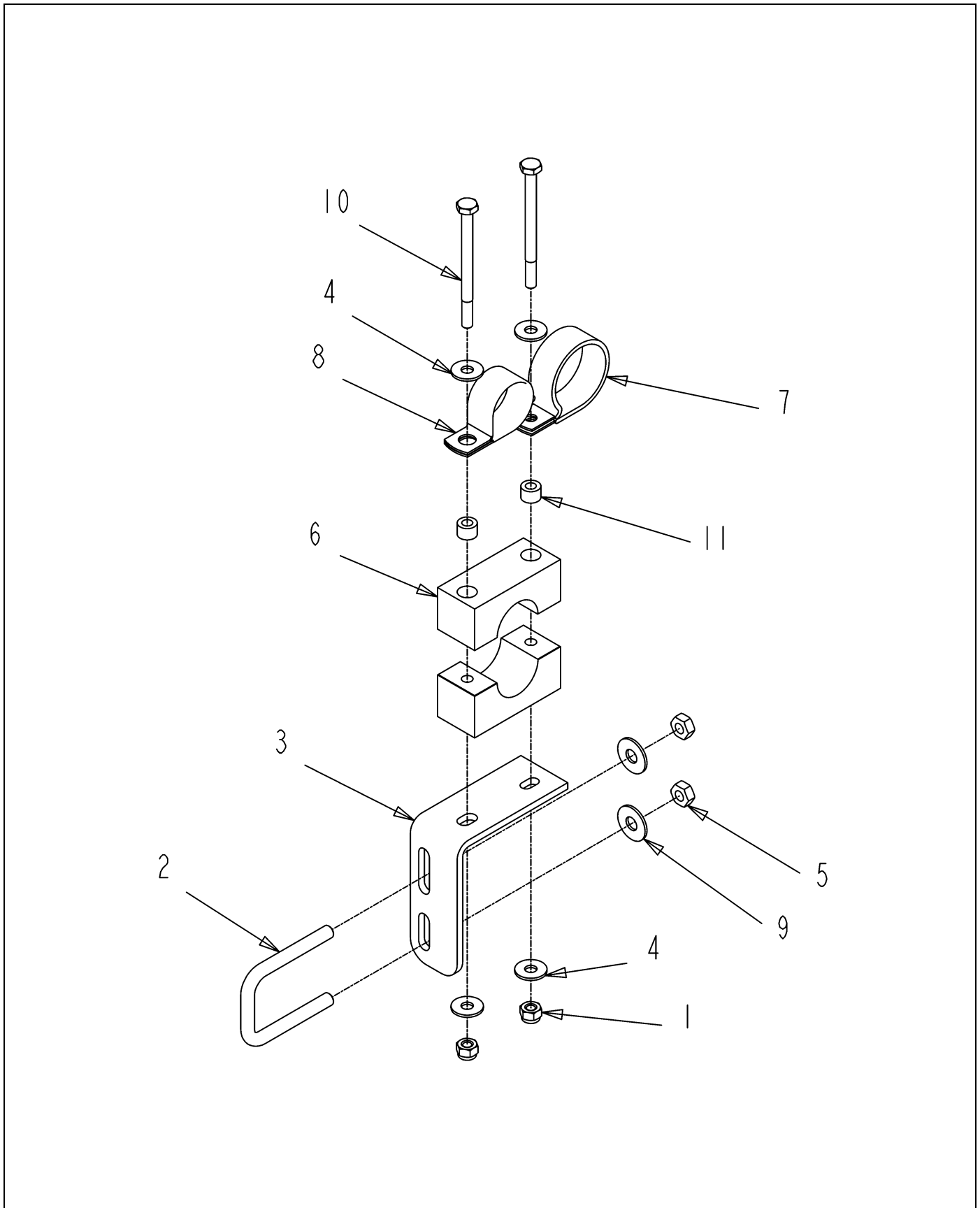
ITEM	PART #	QTY	DESCRIPTION	COMMENTS
1	AG027273	1	SCREW 10-24X 1.25 PHD PHILSS(P	
2	AG027274	1	NUT #10-24NC HEX SS REG NY	
3	AG027275	2	NUT 0.25-20NC HEX SS REG NY	
4	AG231204	1	BOLT-U .31-18X1.88X2.63	
5	AG234375	1	BRACKET LONG STANDOFF	
6	AG515121	4	WASHER 0.25 FL SS REG TYPE-B	
7	AG516403	2	NUT 0.31-18NC HEX SS REG NY	
8	AG519749	1	CLAMP 1.00 IPS POLY	
9	AG519751	1	CLAMP 1.38 DIA COATED HOSE	
10	AG523412	1	CLAMP-1.62 DIA,COATED HOSE	
11	AG562064	2	BOLT 0.25-20NCX 1.00 SS HHD	
12	AG562074	2	WASHER 0.31 FL SS REG TYPE-B	
13	AG562082	1	WASHER #10 FL SS REG TYPE-B	



506729D1-01-M790-.TIF

BRKT ASM-L,PP STAUFF,PCLP,1.00

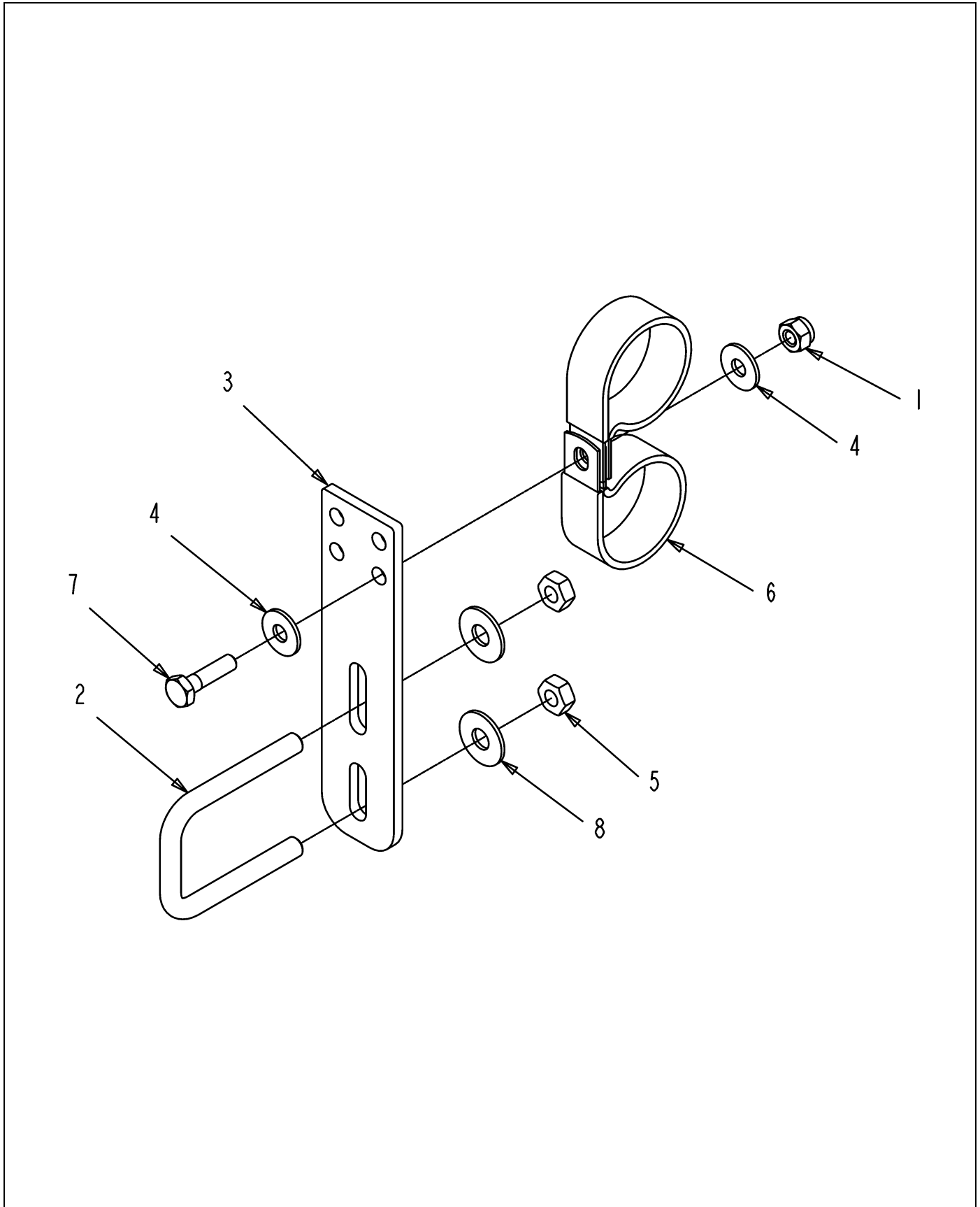
ITEM	PART #	QTY	DESCRIPTION	COMMENTS
1	AG027275	2	NUT 0.25-20NC HEX SS REG NY	
2	WR129144	1	BOLT-U,,31-18X1.06X1.97,SQ,SS	
3	AG232784	1	BRACKET STAND OFF WET BOOM	
4	AG515121	4	WASHER 0.25 FL SS REG TYPE-B	
5	AG516403	2	NUT 0.31-18NC HEX SS REG NY	
6	AG519748	1	CLAMP 1.00 PIPE	[A]
7	AG523412	1	CLAMP-1.62 DIA,COATED HOSE	
8	AG562074	2	WASHER 0.31 FL SS REG TYPE-B	
9	AG563061	2	BOLT 0.25-20NCX 3.25 SS HHD	
10	AG609777	2	INSERT STAUFF SPACER	
	FOOTNOTE [A]		2 INSERTS AND 2 CLAMP MAKE UP 1 PART. BOLT - AG563061, WASHER - AG515121, NUT - AG027275,	



506730D1-01-M790-.TIF

BRKT ASM-L W/1.25/1.00 PCLP

ITEM	PART #	QTY	DESCRIPTION	COMMENTS
1	AG027275	2	NUT 0.25-20NC HEX SS REG NY	
2	AG231204	1	BOLT-U .31-18X1.88X2.63	
3	AG232784	1	BRACKET STAND OFF WET BOOM	
4	AG515121	4	WASHER 0.25 FL SS REG TYPE-B	
5	AG516403	2	NUT 0.31-18NC HEX SS REG NY	
6	AG519748	1	CLAMP 1.00 PIPE	[A]
7	AG523412	1	CLAMP-1.62 DIA,COATED HOSE	
9	AG562074	2	WASHER 0.31 FL SS REG TYPE-B	
10	AG563061	2	BOLT 0.25-20NCX 3.25 SS HHD	
11	AG609777	2	INSERT STAUFF SPACER	
	FOOTNOTE [A]		2 INSERTS AND 2 CLAMP MAKE UP 1 PART. BOLT - AG563061, WASHER - AG515121, NUT - AG027275,	

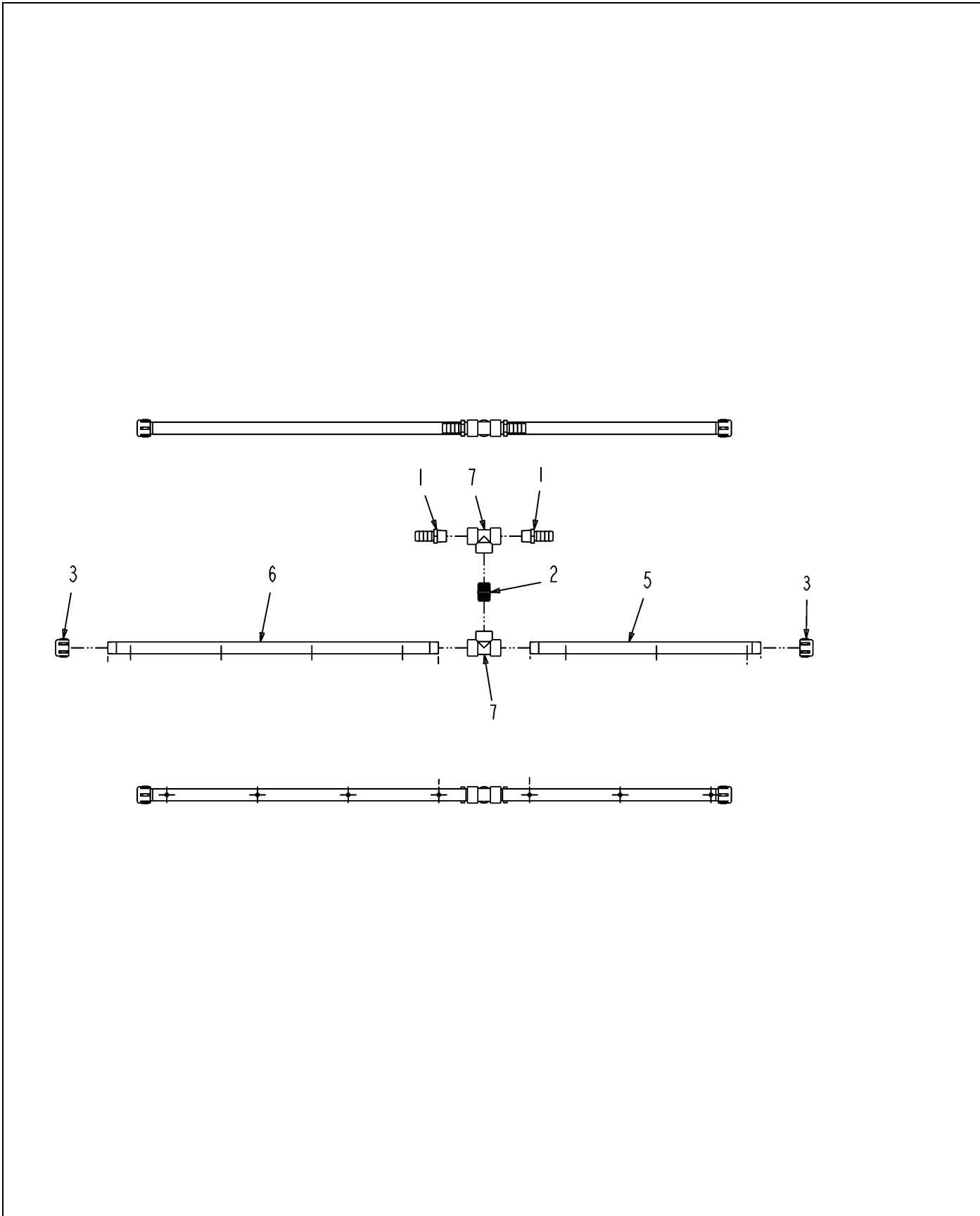


506731D1-01-M790-.TIF

BRKT ASM-STR,SH,2X 1.25 P CLP

ITEM	PART #	QTY	DESCRIPTION	COMMENTS
1	AG027275	1	NUT 0.25-20NC HEX SS REG NY	
2	AG231204	1	BOLT-U .31-18X1.88X2.63	
3	AG234373	1	BRACKET SHORT STANDOFF	
4	AG515121	2	WASHER 0.25 FL SS REG TYPE-B	
5	AG516403	2	NUT 0.31-18NC HEX SS REG NY	
6	AG523412	2	CLAMP-1.62 DIA,COATED HOSE	
7	AG562064	1	BOLT 0.25-20NCX 1.00 SS HHD	
8	AG562074	1	WASHER 0.31 FL SS REG TYPE-B	

PIPE ASM-T W/2 1.00HB,7X10,PP

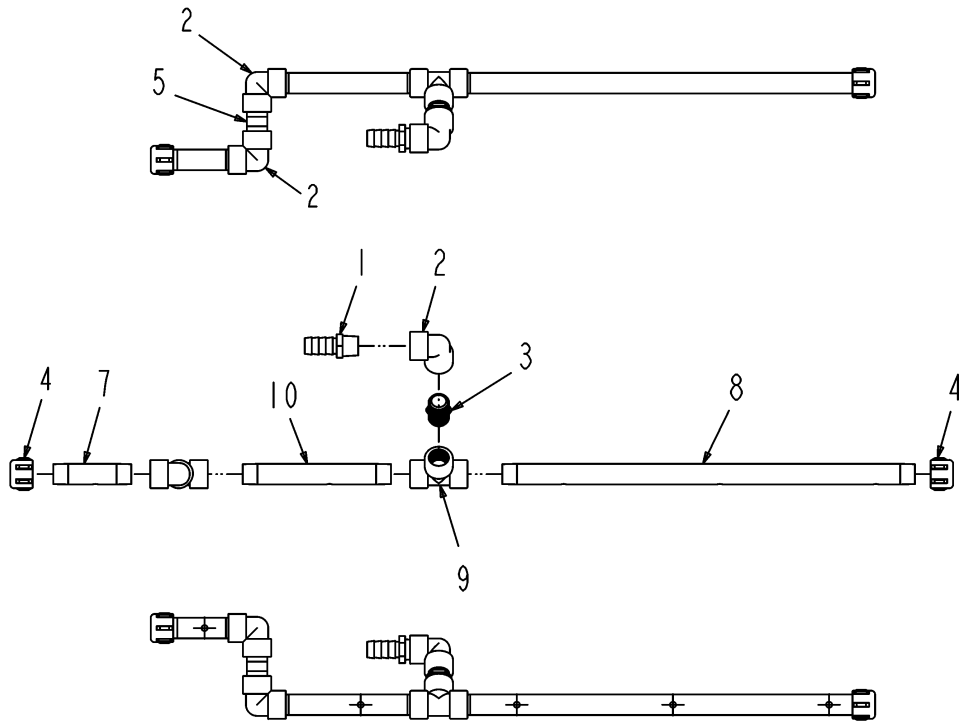


506734D1-01-M790-.tif

PIPE ASM-T W/2 1.00HB,7X10,PP

ITEM	PART #	QTY	DESCRIPTION	COMMENTS
1	AG051059	2	BARB-HOSE,1.00MNPTX1.00BARB,PP	
2	AG051153	1	NIPPLE-PIPE,1.00NPTXCLS,PP	
3	AG051536	2	CAP-PIPE,1.00NPT PP	
4	AG129187	AR	PIPE SEALANT-FLEX BLACK	
5	AG239929	1	TUBE-POLY,25.44,10IN CTR	
6	AG239935	1	TUBE-POLY,36.44,10IN CTR	
7	AG516405	2	TEE,PIPE,1.00FNPT,PP	

PIPE ASM-90D W/1HB,5X10,PP,RH

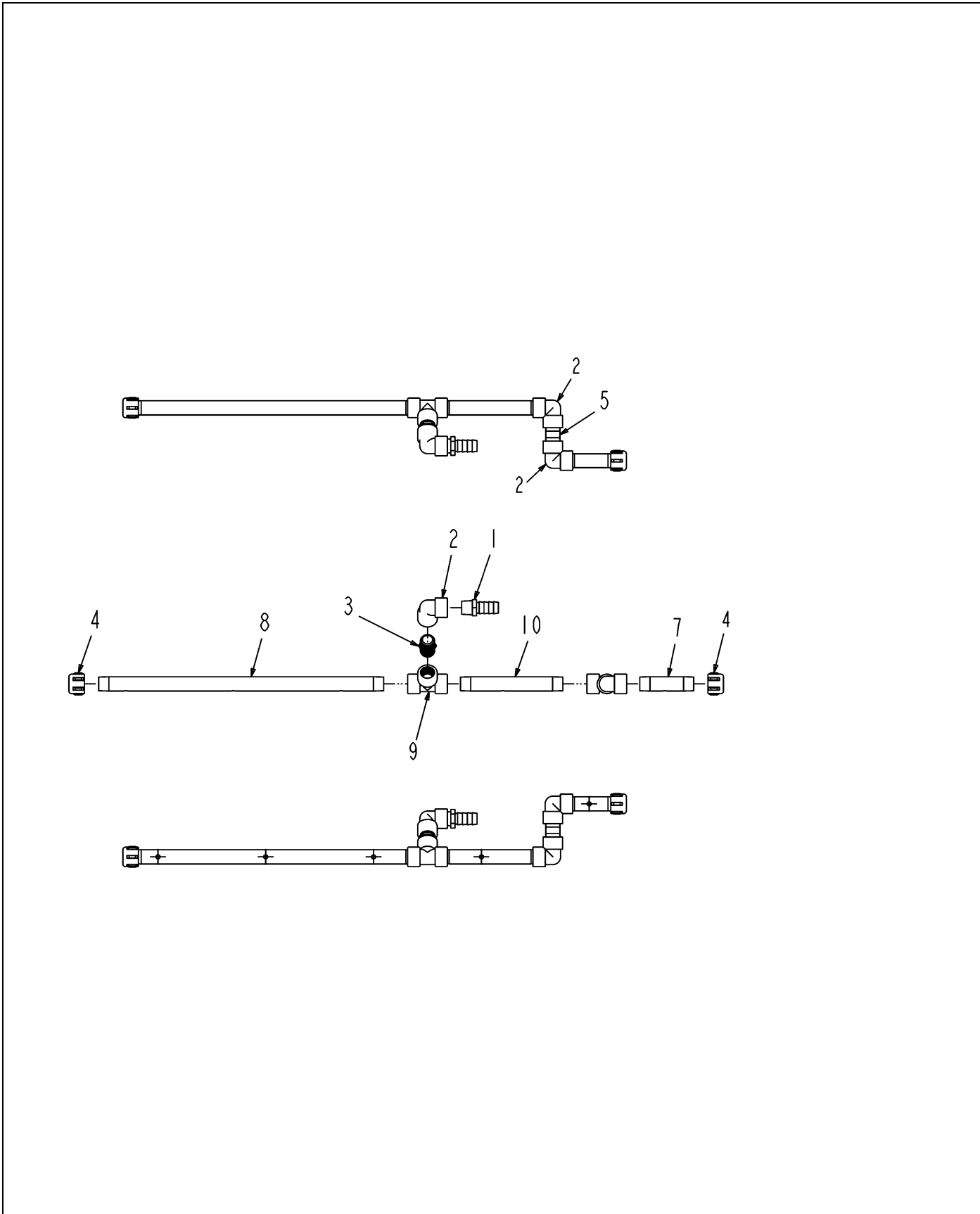


506735D1-01-M790-.tif

PIPE ASM-90D W/1HB,5X10,PP,RH

ITEM	PART #	QTY	DESCRIPTION	COMMENTS
1	AG051059	1	BARB-HOSE,1.00MNPTX1.00BARB,PP	
2	AG051127	3	ELBOW-PIPE,1.00FNPT,90D,PP	
3	AG051153	1	NIPPLE-PIPE,1.00NPTXCLS,PP	
4	AG051536	2	CAP-PIPE,1.00NPT PP	
5	AG051904	1	NIPPLE 1.00NPTX 2.50 304SS	
6	AG129187	AR	PIPE SEALANT-FLEX BLACK	
7	AG234787	1	TUBE-POLY 5.00 X 10.00 CTRS	
8	AG239936	1	TUBE-POLY,26.44,10IN CTR	
9	AG516405	2	TEE,PIPE,1.00FNPT,PP	
10	506796D1	1	TUBE-POLY,9.50,10IN CTR	

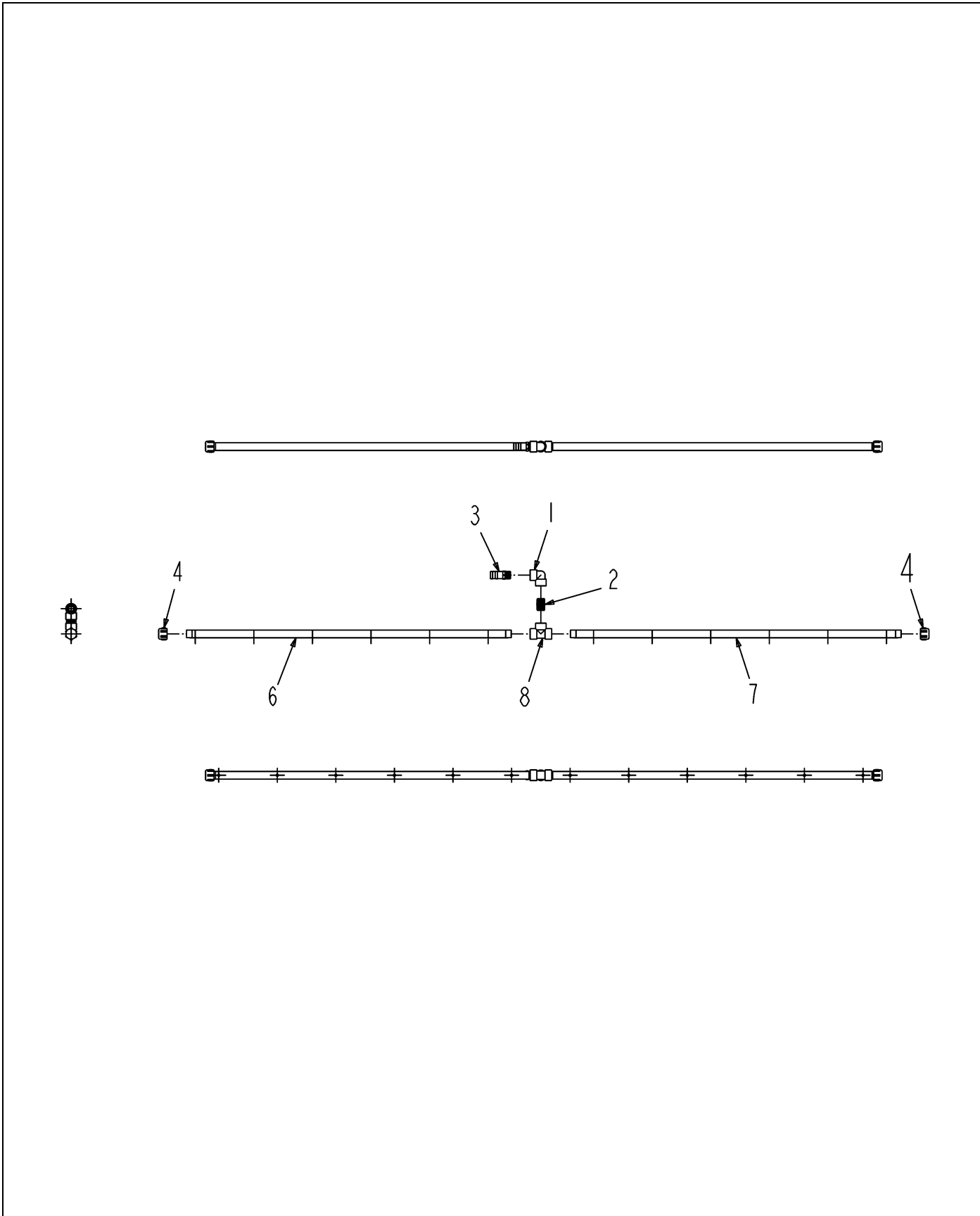
PIPE ASM-90D W/1HB,5X10,PP,LH



506736D1-01-M790-.TIF

PIPE ASM-90D W/1HB,5X10,PP,LH

ITEM	PART #	QTY	DESCRIPTION	COMMENTS
1	AG051059	1	BARB-HOSE,1.00MNPTX1.00BARB,PP	
2	AG051127	3	ELBOW-PIPE,1.00FNPT,90D,PP	
3	AG051153	1	NIPPLE-PIPE,1.00NPTXCLS,PP	
4	AG051536	2	CAP-PIPE,1.00NPT PP	
5	AG051904	1	NIPPLE 1.00NPTX 2.50 304SS	
6	AG129187	AR	PIPE SEALANT-FLEX BLACK	
7	AG234787	1	TUBE-POLY 5.00 X 10.00 CTRS	
8	AG239936	1	TUBE-POLY,26.44,10IN CTR	
9	AG516405	2	TEE,PIPE,1.00FNPT,PP	
10	506796D1	1	TUBE-POLY,9.50,10IN CTR	

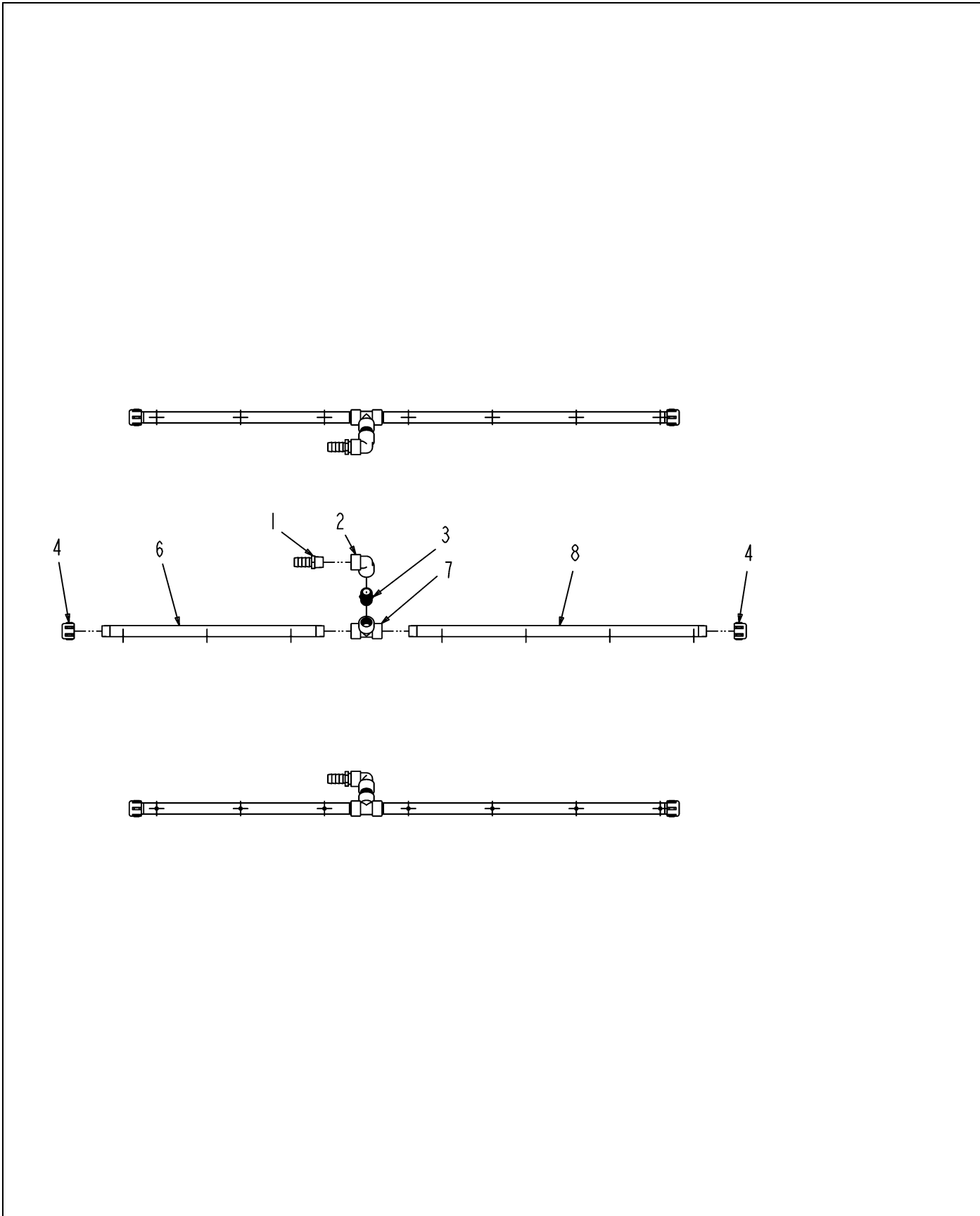


506737D1-01-M790-.TIF

PIPE ASM-90D W/1.25HB,12X10,PP

ITEM	PART #	QTY	DESCRIPTION	COMMENTS
1	AG051127	1	ELBOW-PIPE,1.00FNPT,90D,PP	
2	AG051153	1	NIPPLE-PIPE,1.00NPTXCLS,PP	
3	AG051183	1	BARB-HOSE,1.00MNPTX1.25BARB,PP	
4	AG051536	2	CAP-PIPE,1.00NPT PP	
5	AG129187	AR	PIPE SEALANT-FLEX BLACK	
6	AG134850	1	TUBE-PP,55.44,10IN CTR	
7	AG239937	1	TUBE-POLY,56.44,10IN CTR	
8	AG516405	1	TEE,PIPE,1.00FNPT,PP	

PIPE ASM-90D W/1HB,7X10,PP,RH

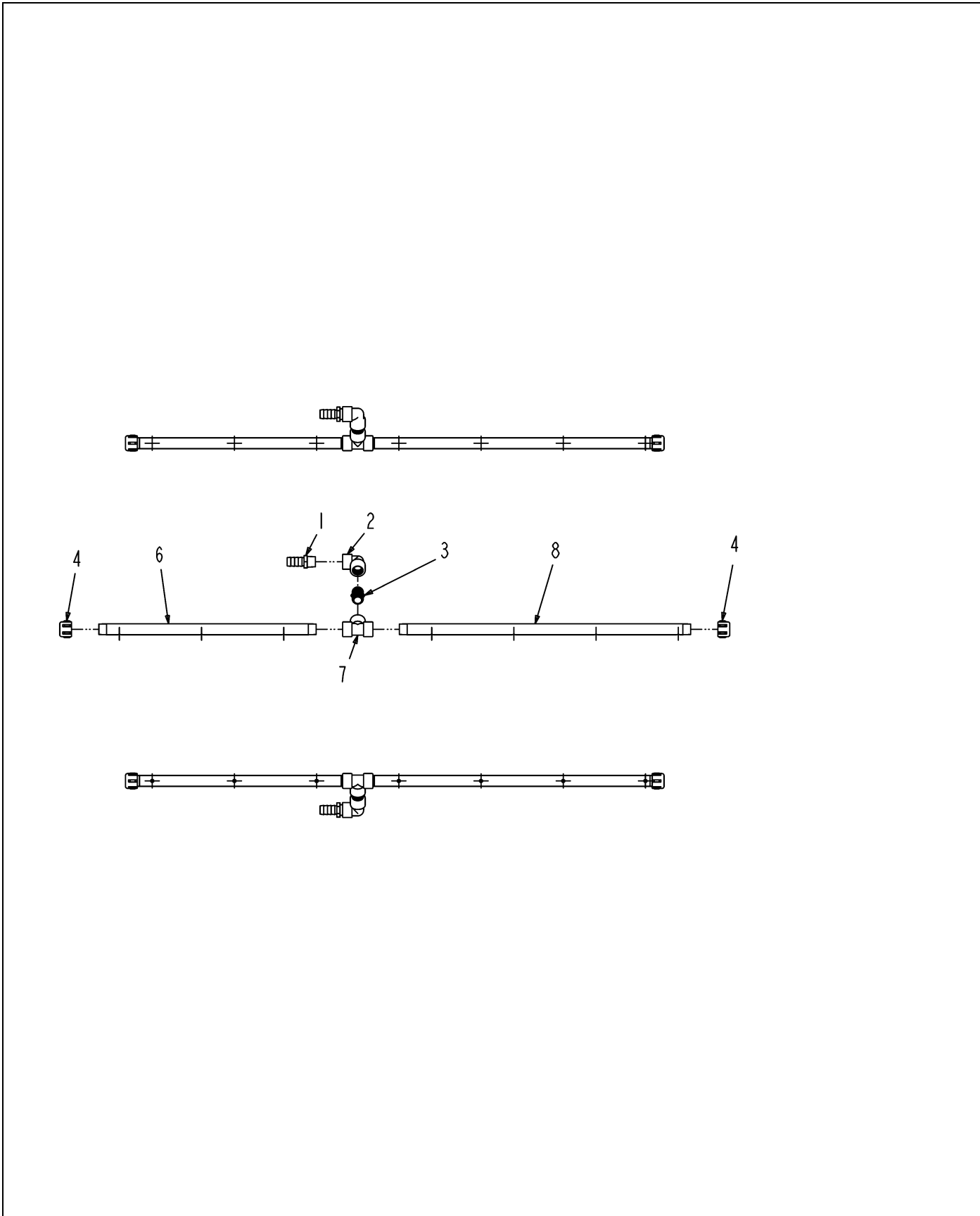


506738D1-01-M790-.tif

PIPE ASM-90D W/1HB,7X10,PP,RH

ITEM	PART #	QTY	DESCRIPTION	COMMENTS
1	AG051059	1	BARB-HOSE,1.00MNPTX1.00BARB,PP	
2	AG051127	1	ELBOW-PIPE,1.00FNPT,90D,PP	
3	AG051153	1	NIPPLE-PIPE,1.00NPTXCLS,PP	
4	AG051536	2	CAP-PIPE,1.00NPT PP	
5	AG129187	AR	PIPE SEALANT-FLEX BLACK	
6	AG239936	1	TUBE-POLY,26.44,10IN CTR	
7	AG516405	1	TEE,PIPE,1.00FNPT,PP	
8	506805D1	1	TUBE-POLY,35.44,10IN CTR	

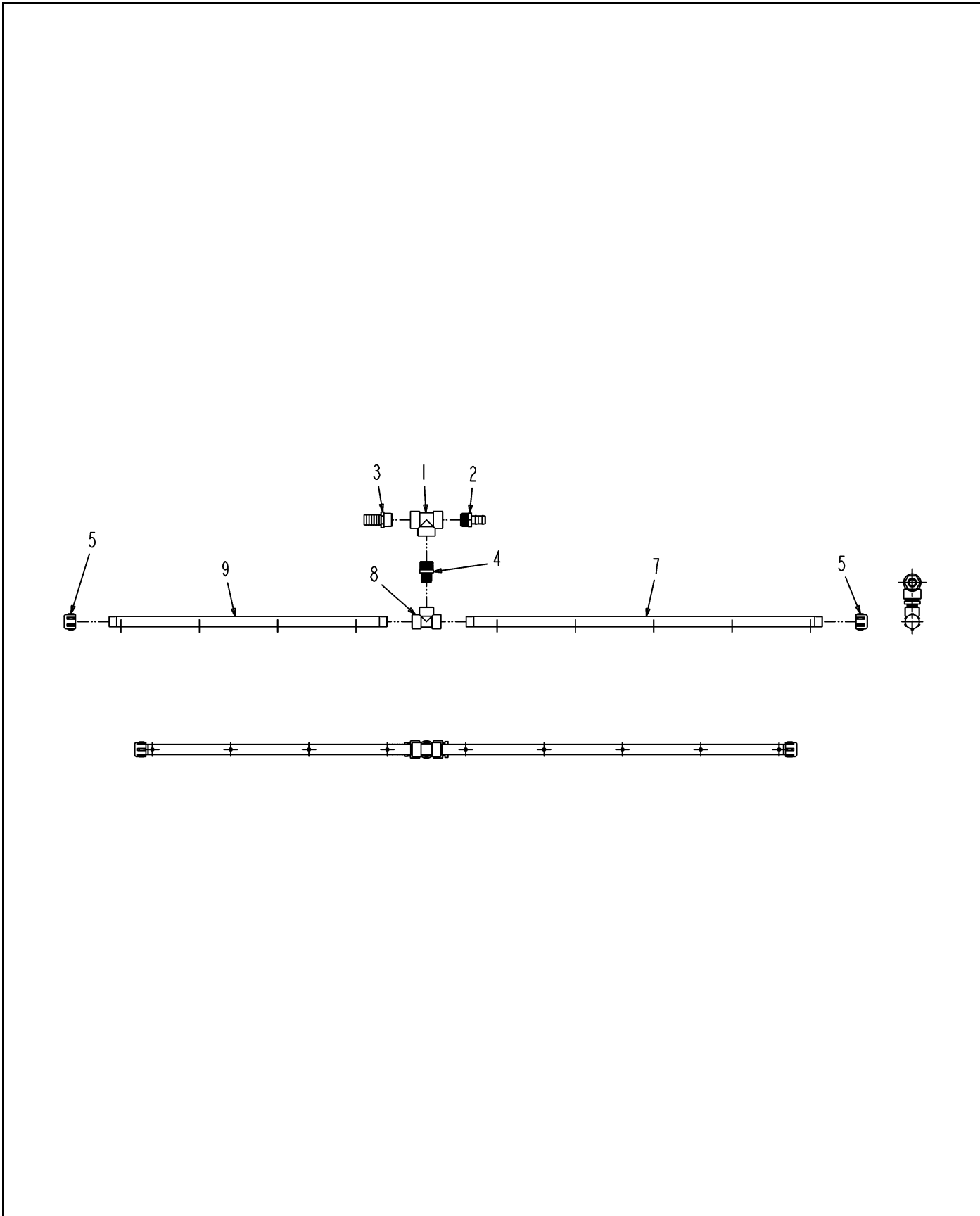
PIPE ASM-90D W/1HB,7X10,PP,LH



506739D1-01-M790-.tif

PIPE ASM-90D W/1HB,7X10,PP,LH

ITEM	PART #	QTY	DESCRIPTION	COMMENTS
1	AG051059	1	BARB-HOSE,1.00MNPTX1.00BARB,PP	
2	AG051127	1	ELBOW-PIPE,1.00FNPT,90D,PP	
3	AG051153	1	NIPPLE-PIPE,1.00NPTXCLS,PP	
4	AG051536	2	CAP-PIPE,1.00NPT PP	
5	AG129187	AR	PIPE SEALANT-FLEX BLACK	
6	AG239936	1	TUBE-POLY,26.44,10IN CTR	
7	AG516405	1	TEE,PIPE,1.00FNPT,PP	
8	506805D1	1	TUBE-POLY,35.44,10IN CTR	

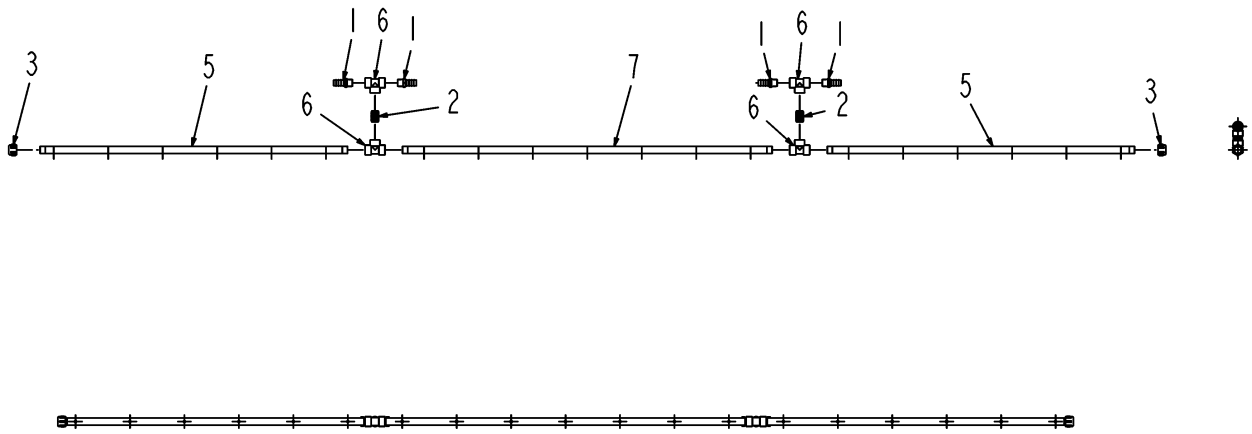


506740D1-01-M790-.TIF

PIPE ASM-T W/1.25/1HD,9X10,PP

ITEM	PART #	QTY	DESCRIPTION	COMMENTS
1	AG051162	1	TEE,PIPE,1.25FNPT,PP	
2	AG051185	1	BARB-HOSE,1.25MNPTX1.00BARB,PP	
3	AG051186	1	BARB-HOSE,1.25MNPTX1.25BARB,PP	
4	AG051437	1	NIPPLE RED 1.25NPTX1.00NPT PP	
5	AG051536	2	CAP-PIPE,1.00NPT PP	
6	AG129187	AR	PIPE SEALANT-FLEX BLACK	
7	AG239930	1	TUBE-POLY,45.44,10IN CTR	
8	AG516405	1	TEE,PIPE,1.00FNPT,PP	
9	506805D1	1	TUBE-POLY,35.44,10IN CTR	

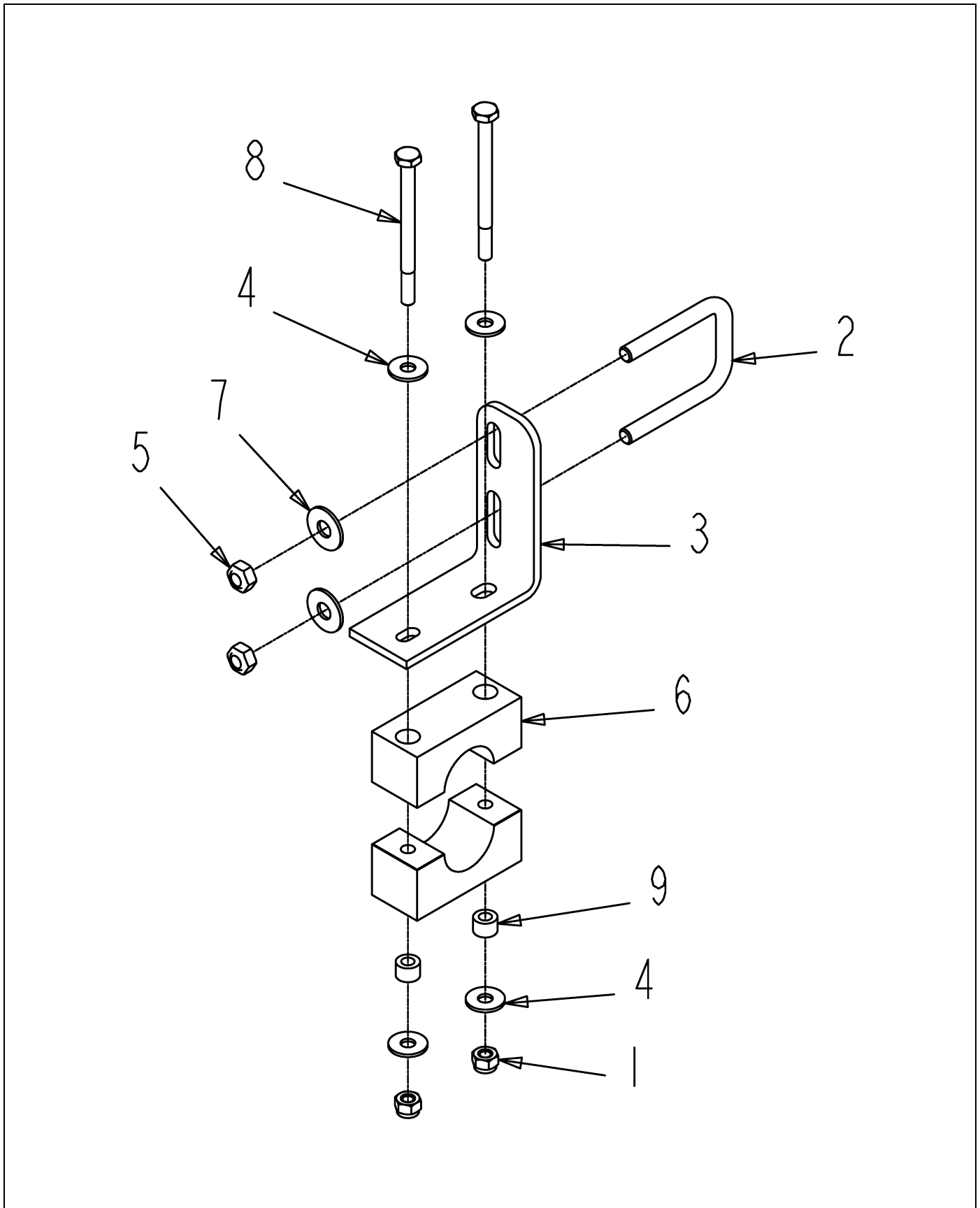
PIPE ASM-2T,W/4 1HB,19X10,PP



506741D1-01-M790-.TIF

PIPE ASM-2T,W/4 1HB,19X10,PP

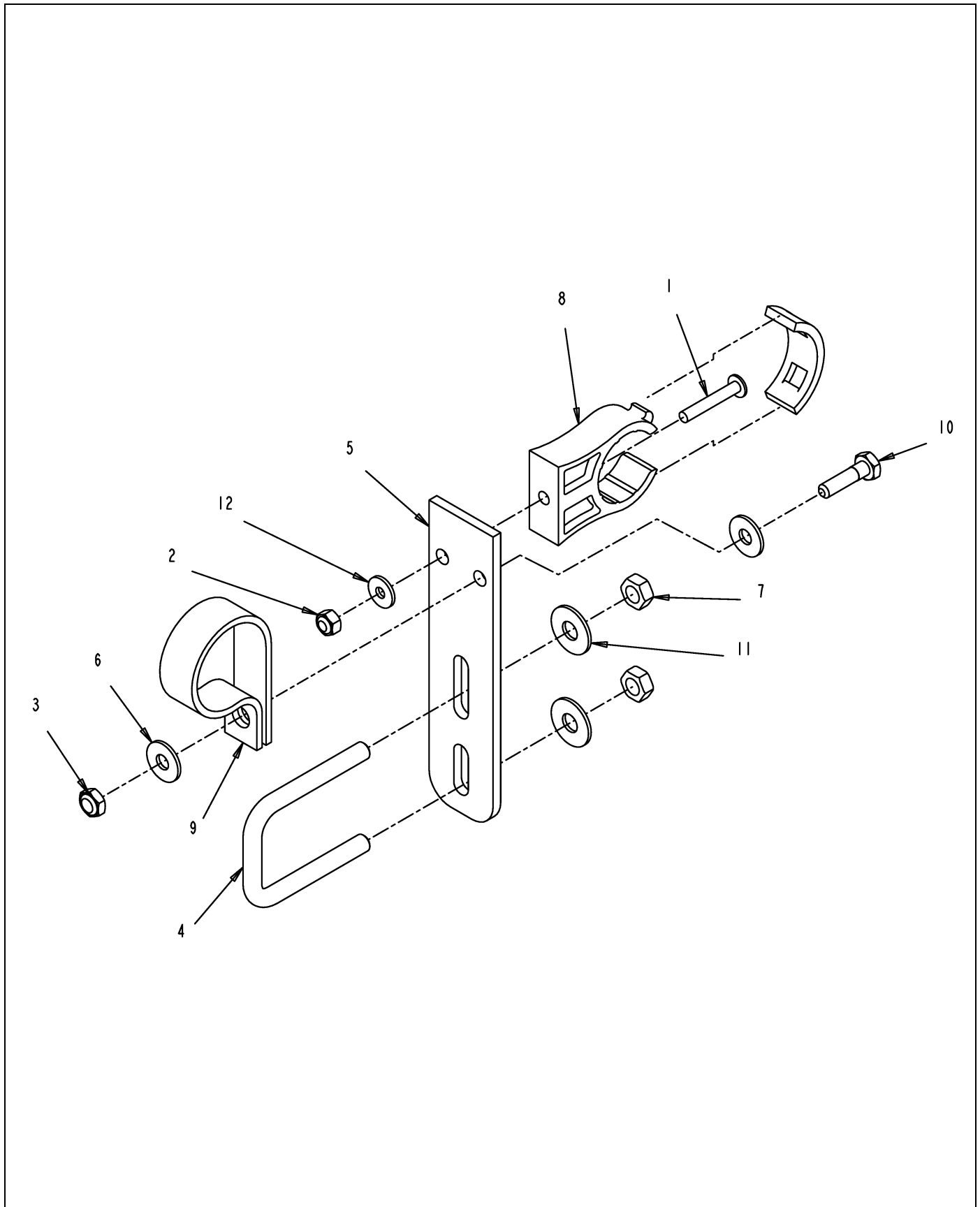
ITEM	PART #	QTY	DESCRIPTION	COMMENTS
1	AG051059	4	BARB-HOSE,1.00MNPTX1.00BARB,PP	
2	AG051153	2	NIPPLE-PIPE,1.00NPTXCLS,PP	
3	AG051536	2	CAP-PIPE,1.00NPT PP	
4	AG129187	AR	PIPE SEALANT-FLEX BLACK	
5	AG239937	2	TUBE-POLY,56.44,10IN CTR	
6	AG516405	4	TEE,PIPE,1.00FNPT,PP	
7	506806D1	1	TUBE-POLY,67.88,10IN CTR	



508671D1-01-N145.TIF

BRKT ASM-L,REV,1.00PP STAUFF

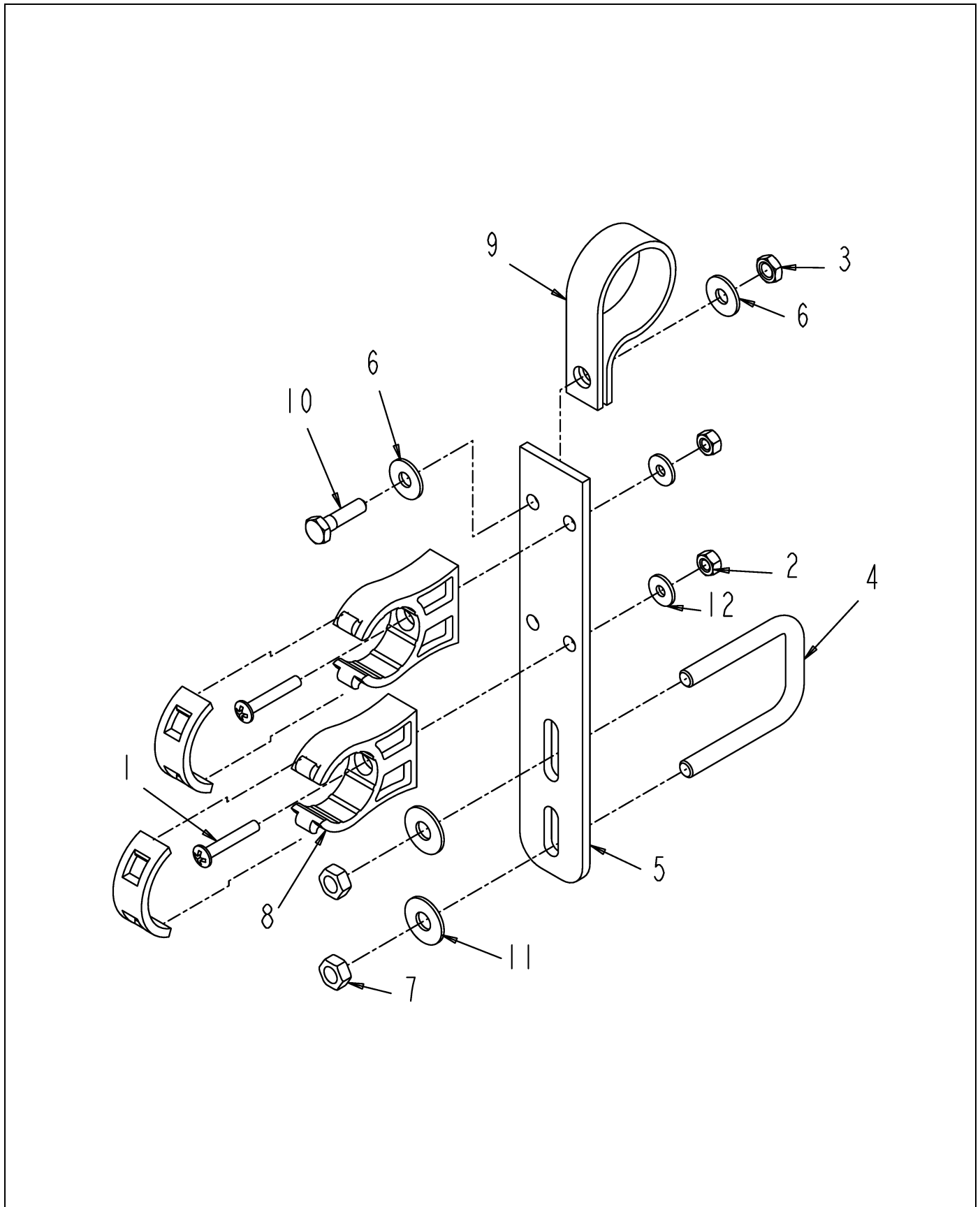
ITEM	PART #	QTY	DESCRIPTION	COMMENTS
1	AG027275	2	NUT 0.25-20NC HEX SS REG NY	
2	AG231204	1	BOLT-U .31-18X1.88X2.63	
3	AG232784	1	BRACKET STAND OFF WET BOOM	
4	AG515121	4	WASHER 0.25 FL SS REG TYPE-B	
5	AG516403	2	NUT 0.31-18NC HEX SS REG NY	
6	AG519748	1	CLAMP 1.00 PIPE	[A]
7	AG562074	2	WASHER 0.31 FL SS REG TYPE-B	
8	AG563061	2	BOLT 0.25-20NCX 3.25 SS HHD	
9	AG609777	2	INSERT STAUFF SPACER	
	FOOTNOTE [A]		2 INSERTS AND 2 CLAMP MAKE UP 1 PART. BOLT - AG563061, WASHER - AG515121, NUT - AG027275,	



122606-A.TIF

BRKT ASM-STR,SH,IPS,1.25 P CLP

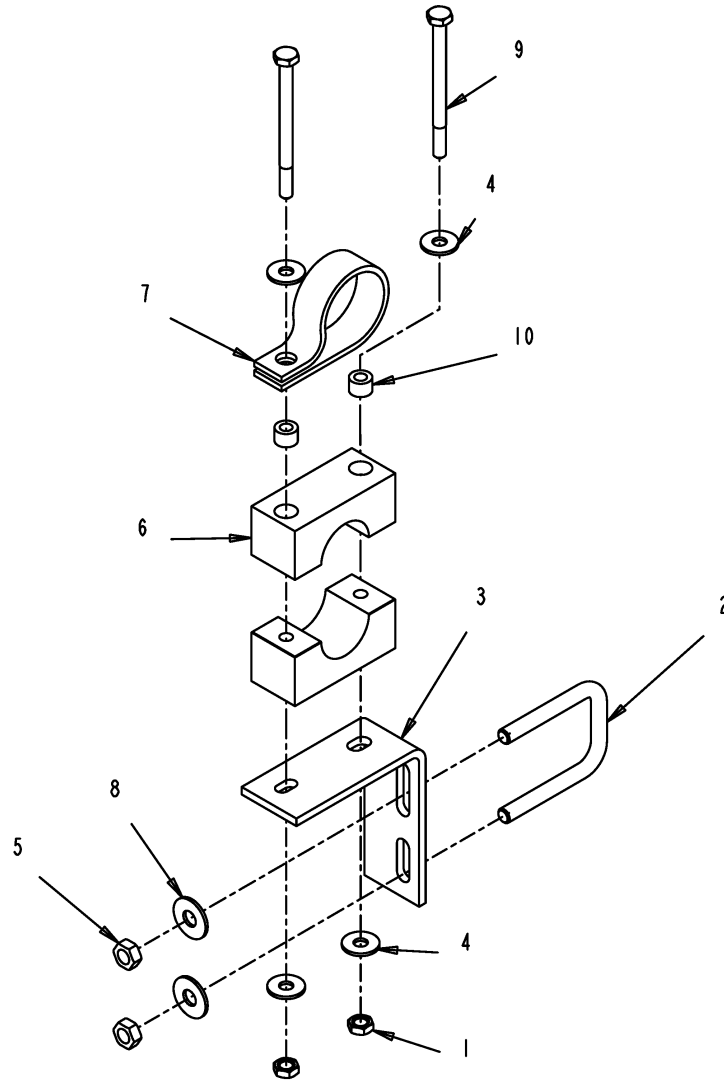
ITEM	PART #	QTY	DESCRIPTION	COMMENTS
1	AG027273	1	SCREW 10-24X 1.25 PHD PHILSS(P	
2	AG027274	1	NUT #10-24NC HEX SS REG NY	
3	AG027275	1	NUT 0.25-20NC HEX SS REG NY	
4	AG231204	1	BOLT-U .31-18X1.88X2.63	
5	AG234373	1	BRACKET SHORT STANDOFF	
6	AG515121	2	WASHER 0.25 FL SS REG TYPE-B	
7	AG516403	2	NUT 0.31-18NC HEX SS REG NY	
8	AG519749	1	CLAMP 1.00 IPS POLY	
9	AG523412	1	CLAMP-1.62 DIA,COATED HOSE	
10	AG562064	1	BOLT 0.25-20NCX 1.00 SS HHD	
11	AG562074	2	WASHER 0.31 FL SS REG TYPE-B	
12	AG562082	1	WASHER #10 FL SS REG TYPE-B	



122607-B.TIF

BRKT ASM-STR,LG,1.25 PCLP 2IPS

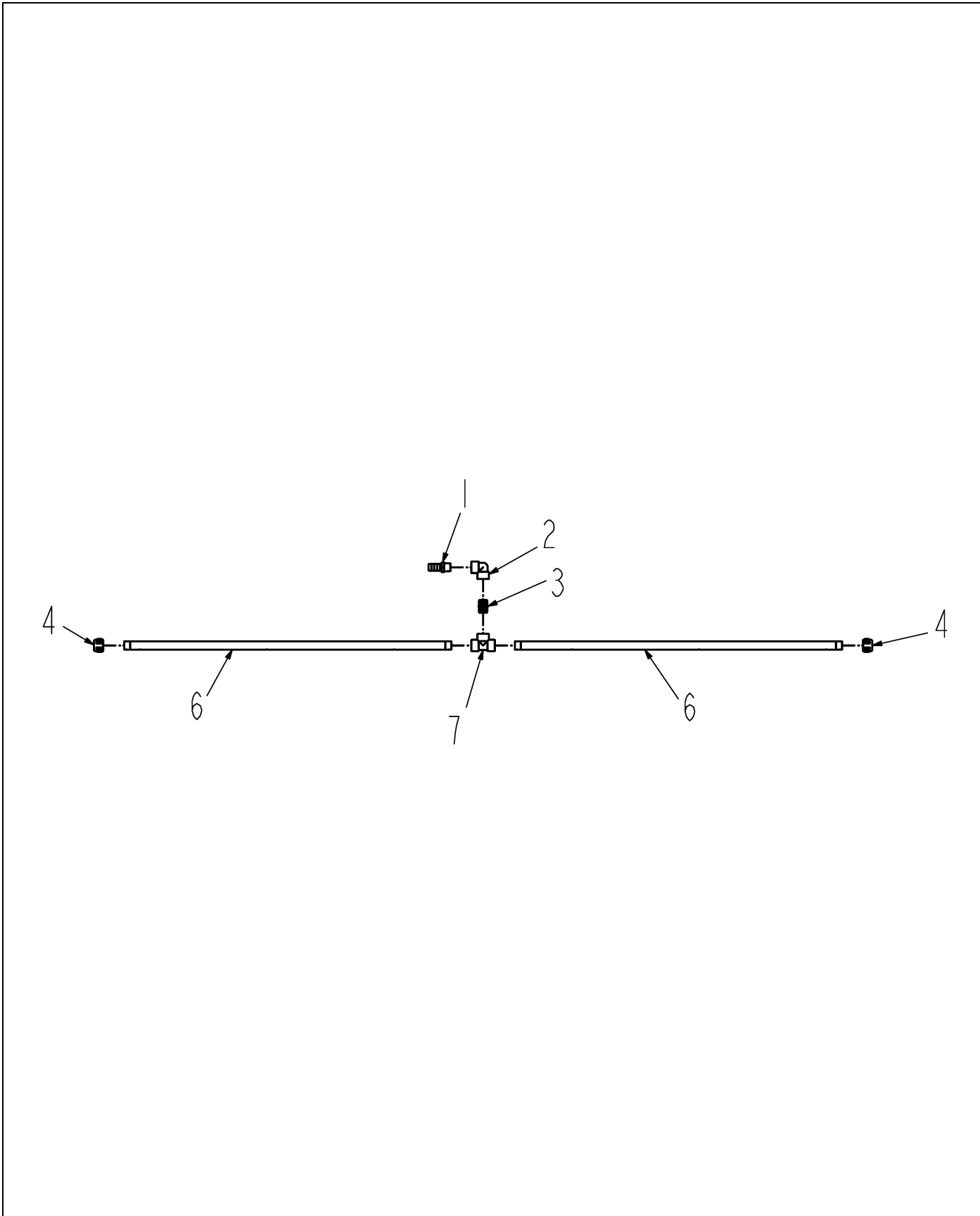
ITEM	PART #	QTY	DESCRIPTION	COMMENTS
1	AG027273	2	SCREW 10-24X 1.25 PHD PHILSS(P	
2	AG027274	2	NUT #10-24NC HEX SS REG NY	
3	AG027275	1	NUT 0.25-20NC HEX SS REG NY	
4	AG231204	1	BOLT-U .31-18X1.88X2.63	
5	AG234375	1	BRACKET LONG STANDOFF	
6	AG515121	2	WASHER 0.25 FL SS REG TYPE-B	
7	AG516403	2	NUT 0.31-18NC HEX SS REG NY	
8	AG519749	2	CLAMP 1.00 IPS POLY	
9	AG523412	1	CLAMP-1.62 DIA,COATED HOSE	
10	AG562064	1	BOLT 0.25-20NCX 1.00 SS HHD	
11	AG562074	2	WASHER 0.31 FL SS REG TYPE-B	
12	AG562082	2	WASHER #10 FL SS REG TYPE-B	



122609-B.TIF

BRKT ASM-L,PP STAUFF,1.25 PCLP

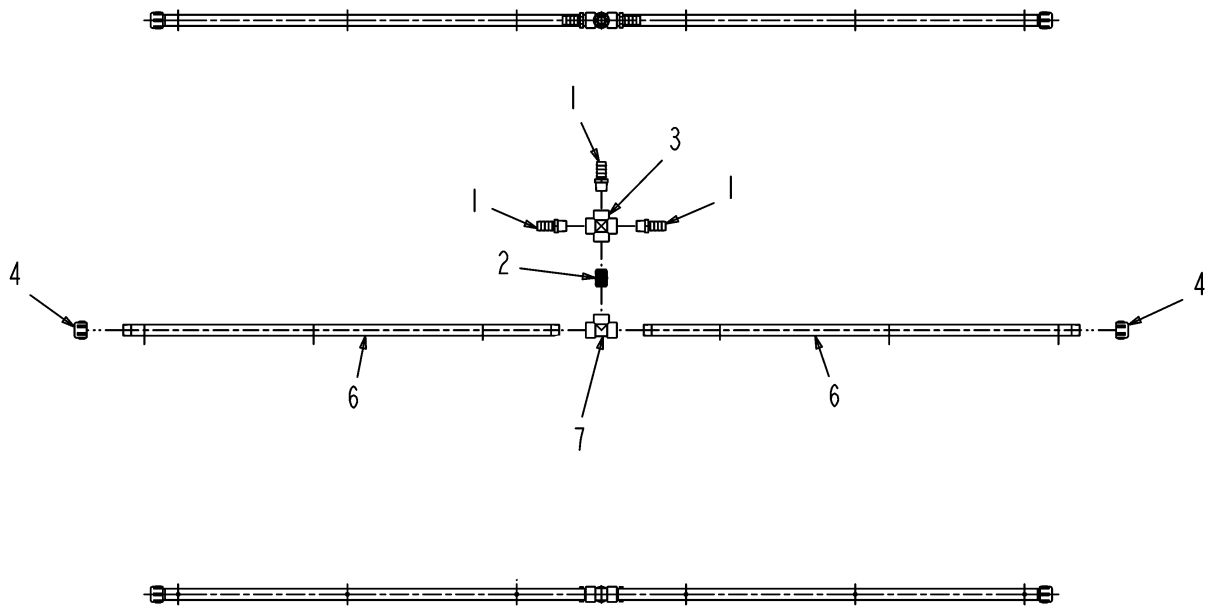
ITEM	PART #	QTY	DESCRIPTION	COMMENTS
1	AG027275	2	NUT 0.25-20NC HEX SS REG NY	
2	AG231204	1	BOLT-U .31-18X1.88X2.63	
3	AG232784	1	BRACKET STAND OFF WET BOOM	
4	AG515121	4	WASHER 0.25 FL SS REG TYPE-B	
5	AG516403	2	NUT 0.31-18NC HEX SS REG NY	
6	AG519748	1	CLAMP 1.00 PIPE	[A]
7	AG523412	1	CLAMP-1.62 DIA,COATED HOSE	
8	AG562074	2	WASHER 0.31 FL SS REG TYPE-B	
9	AG563061	2	BOLT 0.25-20NCX 3.25 SS HHD	
10	AG609777	2	INSERT STAUFF SPACER	
	FOOTNOTE [A]		2 INSERTS AND 2 CLAMP MAKE UP 1 PART. BOLT - AG563061, WASHER - AG515121, NUT - AG027275,	



127095-B.TIF

PIPE ASM-90D W/1.00HB,6X20,PP

ITEM	PART #	QTY	DESCRIPTION	COMMENTS
1	AG051059	1	BARB-HOSE,1.00MNPTX1.00BARB,PP	
2	AG051127	1	ELBOW-PIPE,1.00FNPT,90D,PP	
3	AG051153	1	NIPPLE-PIPE,1.00NPTXCLS,PP	
4	AG051536	2	CAP-PIPE,1.00NPT PP	
5	AG129187	AR	PIPE SEALANT-FLEX BLACK	
6	AG239721	2	TUBE-51.50,POLY	
7	AG516405	1	TEE,PIPE,1.00FNPT,PP	

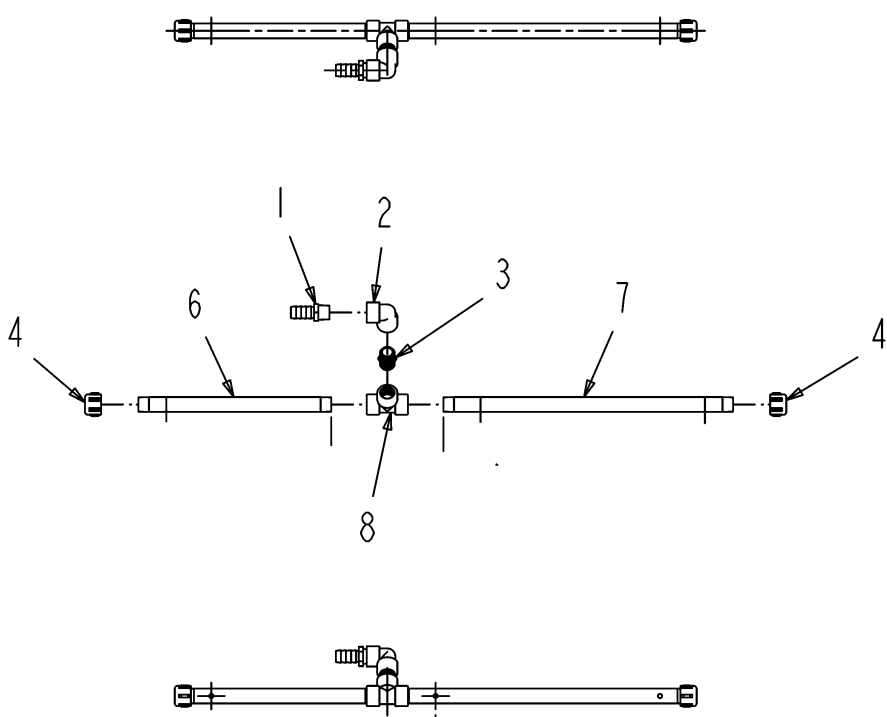


134651-A.tif

PIPE ASM-X W/3 1.00HB,6X20,PP

ITEM	PART #	QTY	DESCRIPTION	COMMENTS
1	AG051059	3	BARB-HOSE,1.00MNPTX1.00BARB,PP	
2	AG051153	1	NIPPLE-PIPE,1.00NPTXCLS,PP	
3	AG051442	1	CROSS-PIPE,1.00FNPT,PP	
4	AG051536	2	CAP-PIPE,1.00NPT PP	
5	AG129187	AR	PIPE SEALANT-FLEX BLACK	
6	AG239721	2	TUBE-51.50,POLY	
7	AG516405	1	TEE,PIPE,1.00FNPT,PP	

PIPE ASM-90D W/1HB,3X20,PP,RH

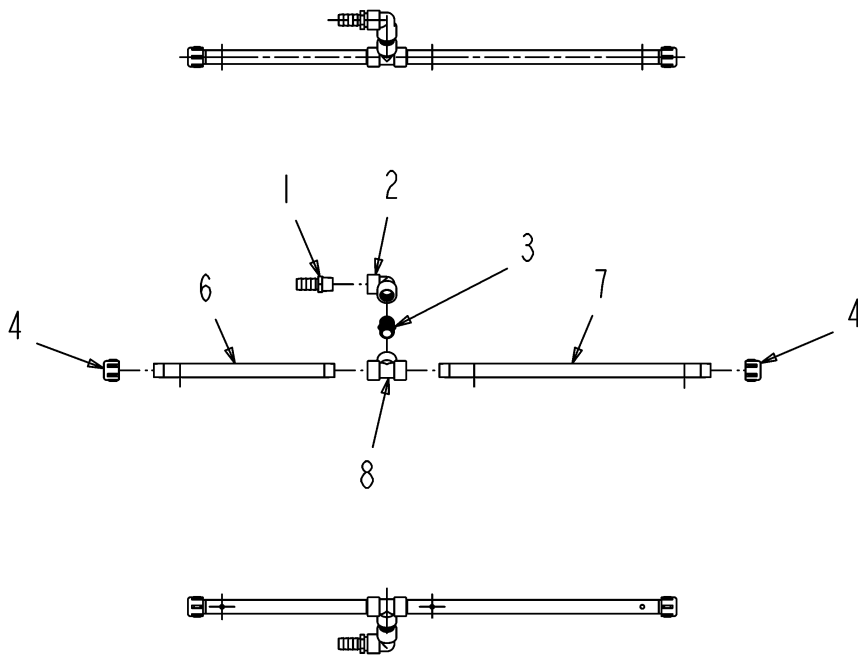


134652-A.tif

PIPE ASM-90D W/1HB,3X20,PP,RH

ITEM	PART #	QTY	DESCRIPTION	COMMENTS
1	AG051059	1	BARB-HOSE,1.00MNPTX1.00BARB,PP	
2	AG051127	1	ELBOW-PIPE,1.00FNPT,90D,PP	
3	AG051153	1	NIPPLE-PIPE,1.00NPTXCLS,PP	
4	AG051536	2	CAP-PIPE,1.00NPT PP	
5	AG129187	AR	PIPE SEALANT-FLEX BLACK	
6	AG239722	1	TUBE-17.19,POLY	
7	AG239723	1	TUBE-25.81,POLY	
8	AG516405	1	TEE,PIPE,1.00FNPT,PP	

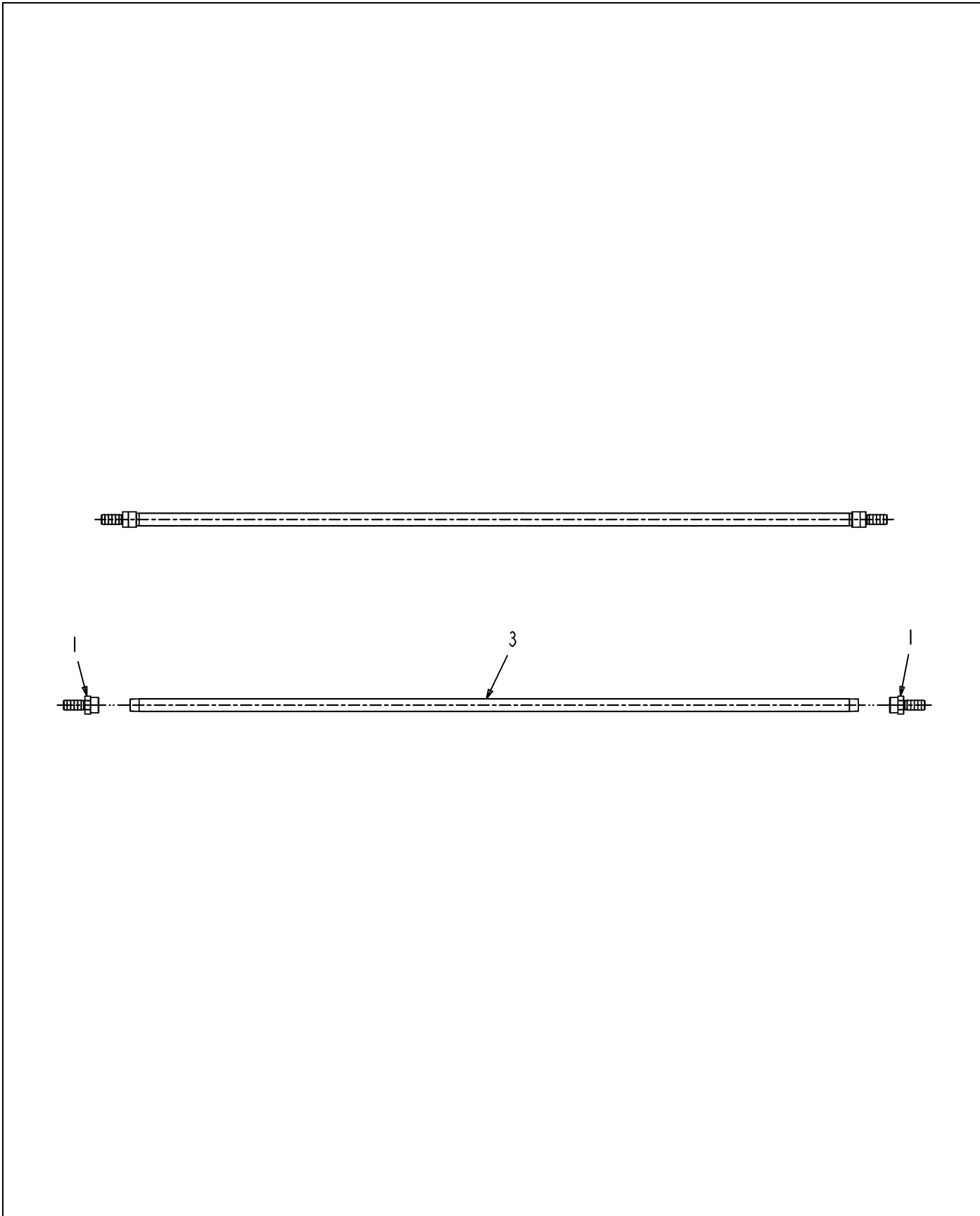
PIPE ASM-90D W/1HB,3X20,PP,LH



134653-A.tif

PIPE ASM-90D W/1HB,3X20,PP,LH

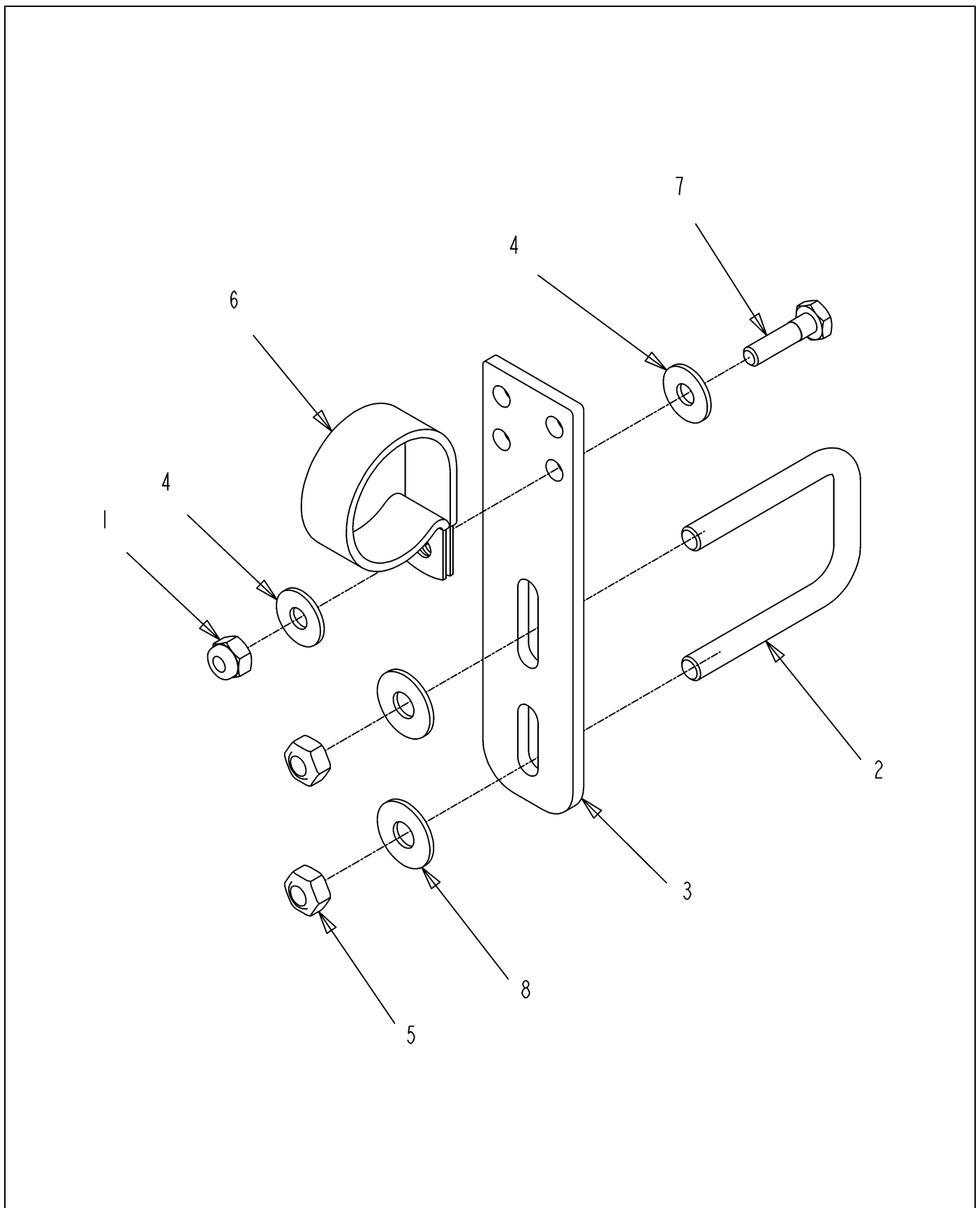
ITEM	PART #	QTY	DESCRIPTION	COMMENTS
1	AG051059	1	BARB-HOSE,1.00MNPTX1.00BARB,PP	
2	AG051127	1	ELBOW-PIPE,1.00FNPT,90D,PP	
3	AG051153	1	NIPPLE-PIPE,1.00NPTXCLS,PP	
4	AG051536	2	CAP-PIPE,1.00NPT PP	
5	AG129187	AR	PIPE SEALANT-FLEX BLACK	
6	AG239722	1	TUBE-17.19,POLY	
7	AG239723	1	TUBE-25.81,POLY	
8	AG516405	1	TEE,PIPE,1.00FNPT,PP	



134667-A.TIF

PIPE ASM-W/2 1.00HB,77.00,PP

ITEM	PART #	QTY	DESCRIPTION	COMMENTS
1	AG122510	2	BARB-HOSE,1.00FNPTX1.00BARB,PP	
2	AG129187	AR	PIPE SEALANT-FLEX BLACK	
3	AG234489	1	TUBE 77.00 SECTION FEED	



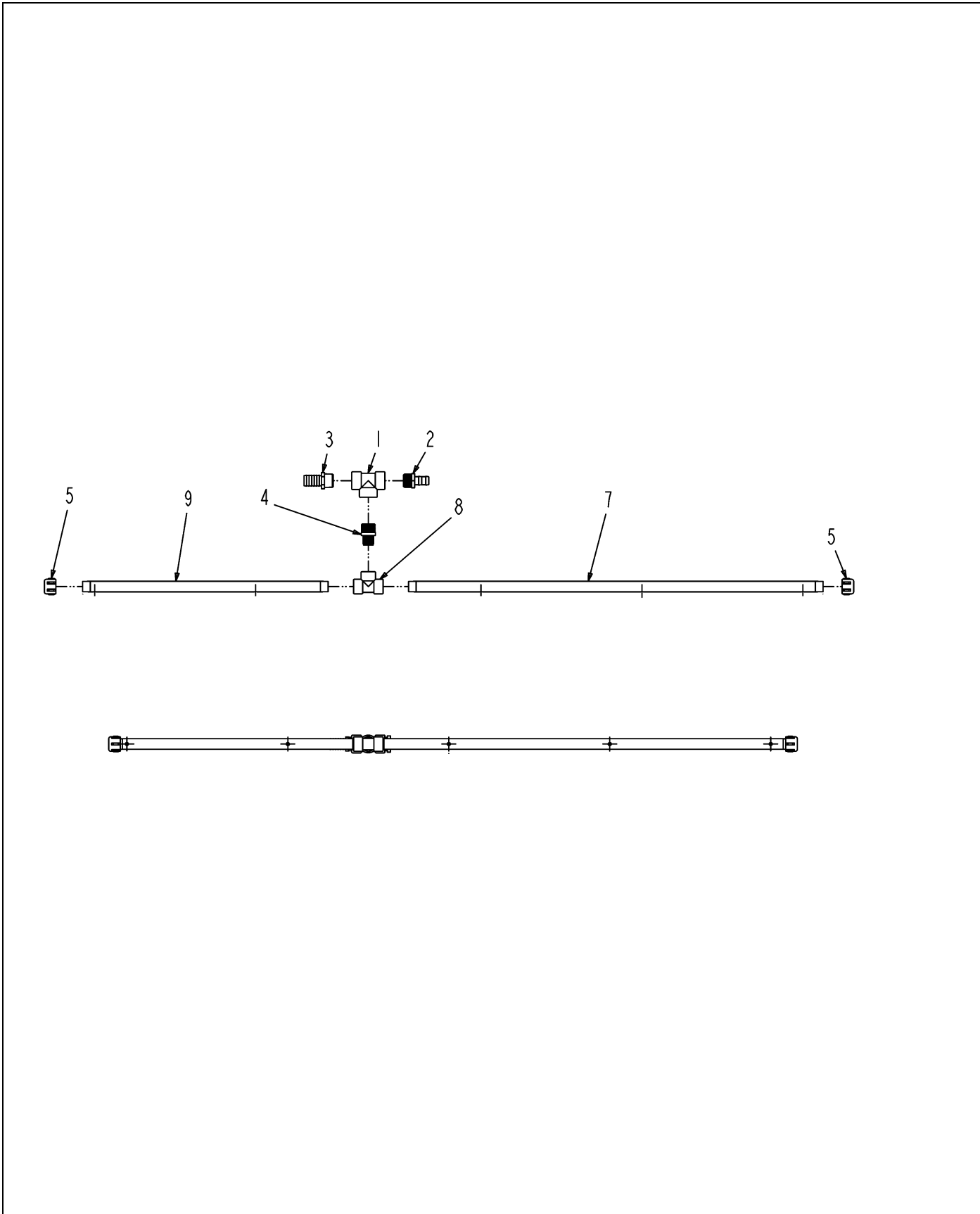
506732D1-01-M790-.TIF

BRKT ASM-STR,SH,1.25 PCLP

ITEM	PART #	QTY	DESCRIPTION	COMMENTS
1	AG027275	1	NUT 0.25-20NC HEX SS REG NY	
2	AG231204	1	BOLT-U .31-18X1.88X2.63	
3	AG234373	1	BRACKET SHORT STANDOFF	
4	AG515121	2	WASHER 0.25 FL SS REG TYPE-B	
5	AG516403	2	NUT 0.31-18NC HEX SS REG NY	
6	AG523412	1	CLAMP-1.62 DIA,COATED HOSE	
7	AG562064	1	BOLT 0.25-20NCX 1.00 SS HHD	
8	AG562074	2	WASHER 0.31 FL SS REG TYPE-B	

BRKT ASM-STR,LG,IPS,2PCL,1.25

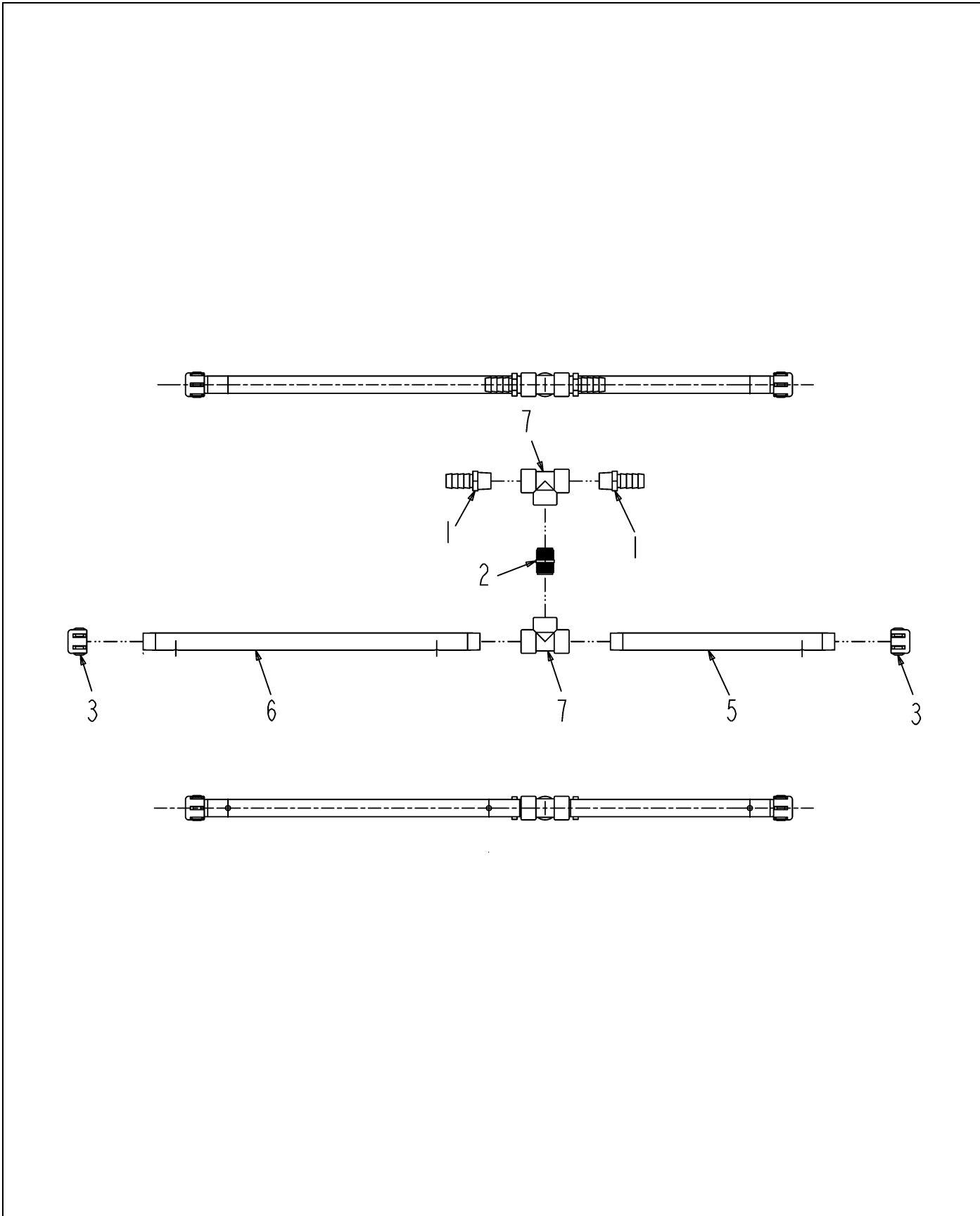
ITEM	PART #	QTY	DESCRIPTION	COMMENTS
1	AG027273	1	SCREW 10-24X 1.25 PHD PHILSS(P	
2	AG027274	1	NUT #10-24NC HEX SS REG NY	
3	AG027275	2	NUT 0.25-20NC HEX SS REG NY	
4	AG231204	1	BOLT-U .31-18X1.88X2.63	
5	AG234375	1	BRACKET LONG STANDOFF	
6	AG515121	4	WASHER 0.25 FL SS REG TYPE-B	
7	AG516403	2	NUT 0.31-18NC HEX SS REG NY	
8	AG519749	1	CLAMP 1.00 IPS POLY	
9	AG523412	2	CLAMP-1.62 DIA,COATED HOSE	
10	AG562064	2	BOLT 0.25-20NCX 1.00 SS HHD	
11	AG562074	2	WASHER 0.31 FL SS REG TYPE-B	
12	AG562082	1	WASHER #10 FL SS REG TYPE-B	



506742D1-01-M790-.tif

PIPE ASM-90D W/1.25HB,6X20,PP

ITEM	PART #	QTY	DESCRIPTION	COMMENTS
1	AG051127	1	ELBOW-PIPE,1.00FNPT,90D,PP	
2	AG051153	1	NIPPLE-PIPE,1.00NPTXCLS,PP	
3	AG051183	1	BARB-HOSE,1.00MNPTX1.25BARB,PP	
4	AG051536	2	CAP-PIPE,1.00NPT PP	
5	AG129187	AR	PIPE SEALANT-FLEX BLACK	
6	AG239721	2	TUBE-51.50,POLY	
7	AG516405	1	TEE,PIPE,1.00FNPT,PP	

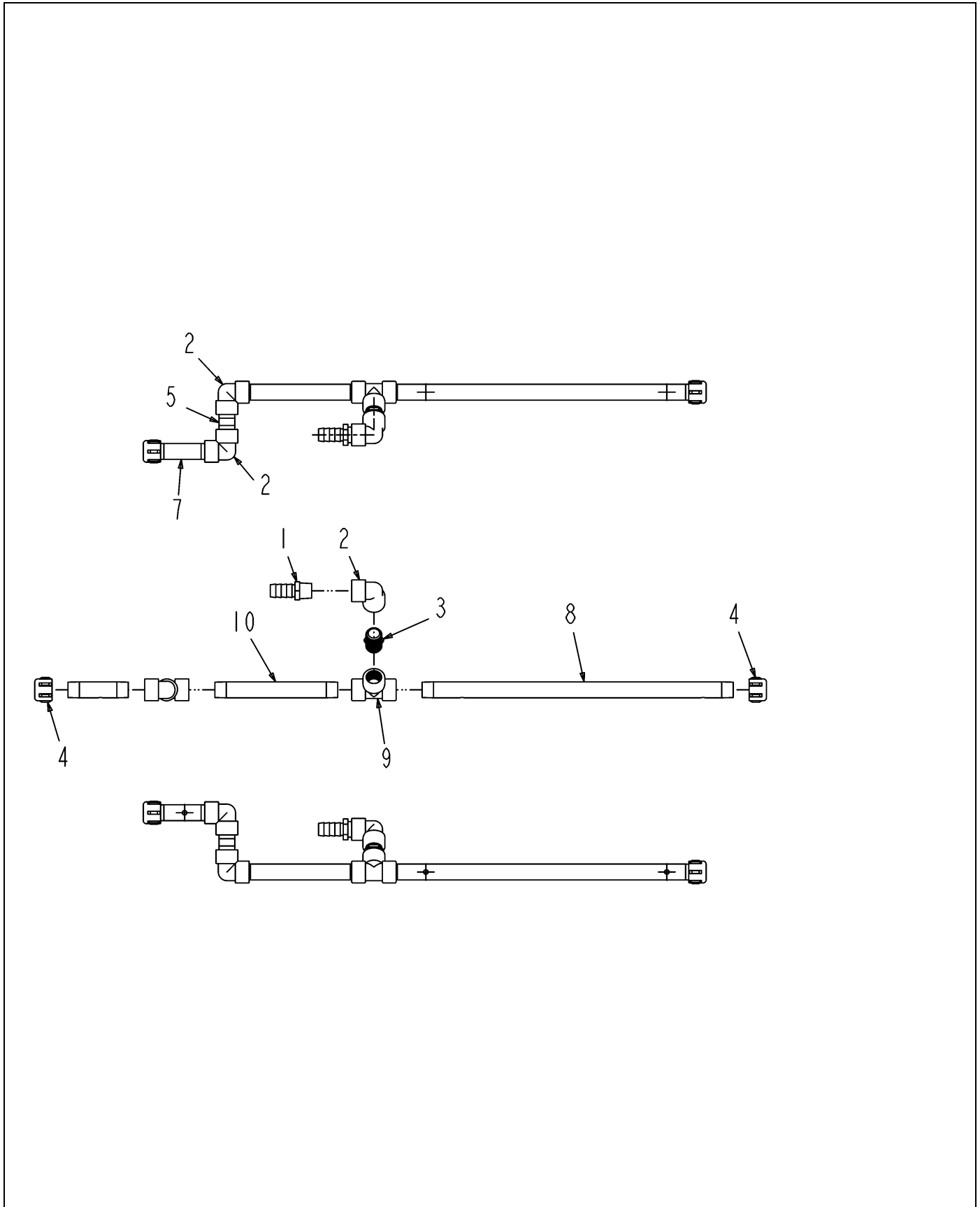


506743D1-01-M790-.tif

PIPE ASM-T W/2 1.00HB,3X20,PP

ITEM	PART #	QTY	DESCRIPTION	COMMENTS
1	AG051059	2	BARB-HOSE,1.00MNPTX1.00BARB,PP	
2	AG051153	1	NIPPLE-PIPE,1.00NPTXCLS,PP	
3	AG051536	2	CAP-PIPE,1.00NPT PP	
4	AG129187	AR	PIPE SEALANT-FLEX BLACK	
5	AG239722	1	TUBE-17.19,POLY	
6	AG239723	1	TUBE-25.81,POLY	
7	AG516405	2	TEE,PIPE,1.00FNPT,PP	

PIPE ASM-90D W/1HB,3X20,PP,RH

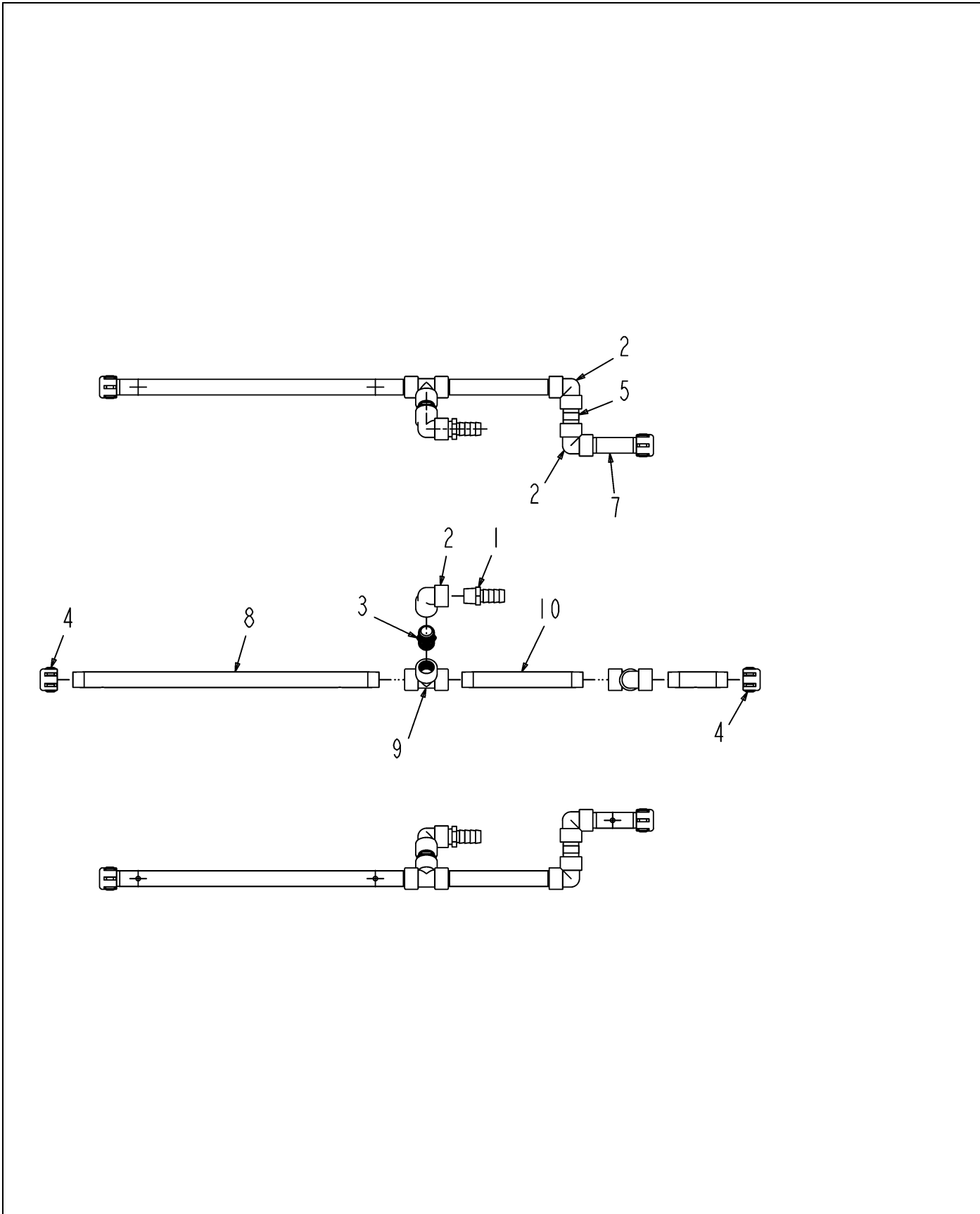


506744D1-01-M790-.TIF

PIPE ASM-90D W/1HB,3X20,PP,RH

ITEM	PART #	QTY	DESCRIPTION	COMMENTS
1	AG051059	1	BARB-HOSE,1.00MNPTX1.00BARB,PP	
2	AG051127	3	ELBOW-PIPE,1.00FNPT,90D,PP	
3	AG051153	1	NIPPLE-PIPE,1.00NPTXCLS,PP	
4	AG051536	2	CAP-PIPE,1.00NPT PP	
5	AG051904	1	NIPPLE 1.00NPTX 2.50 304SS	
6	AG129187	AR	PIPE SEALANT-FLEX BLACK	
7	AG234787	1	TUBE-POLY 5.00 X 10.00 CTRS	
8	AG239723	1	TUBE-25.81,POLY	
9	AG516405	1	TEE,PIPE,1.00FNPT,PP	
10	506807D1	1	TUBE-POLY,10.19,NO HOLES	

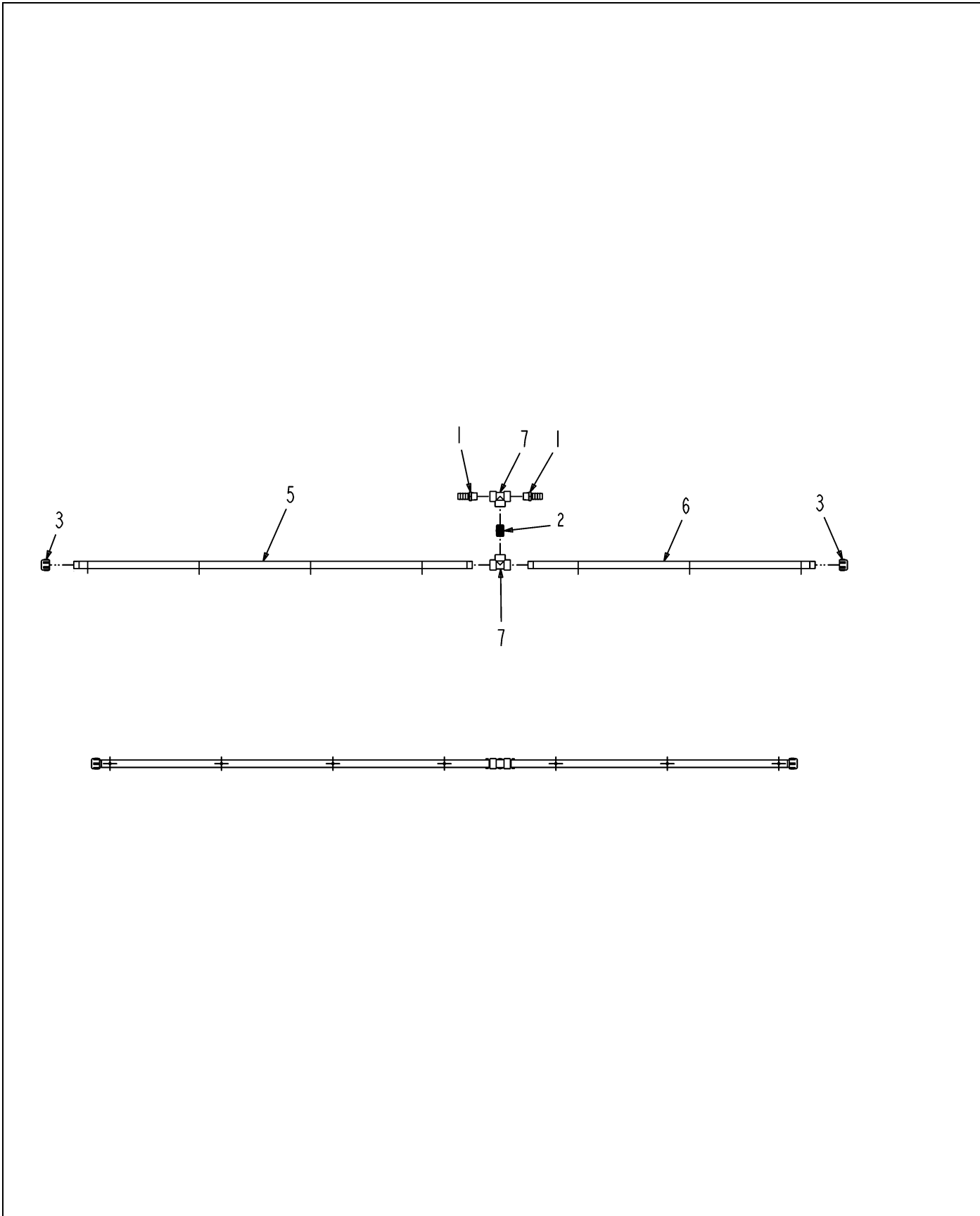
PIPE ASM-90D W/1HB,3X20,PP,LH



506745D1-01-M790-.TIF

PIPE ASM-90D W/1HB,3X20,PP,LH

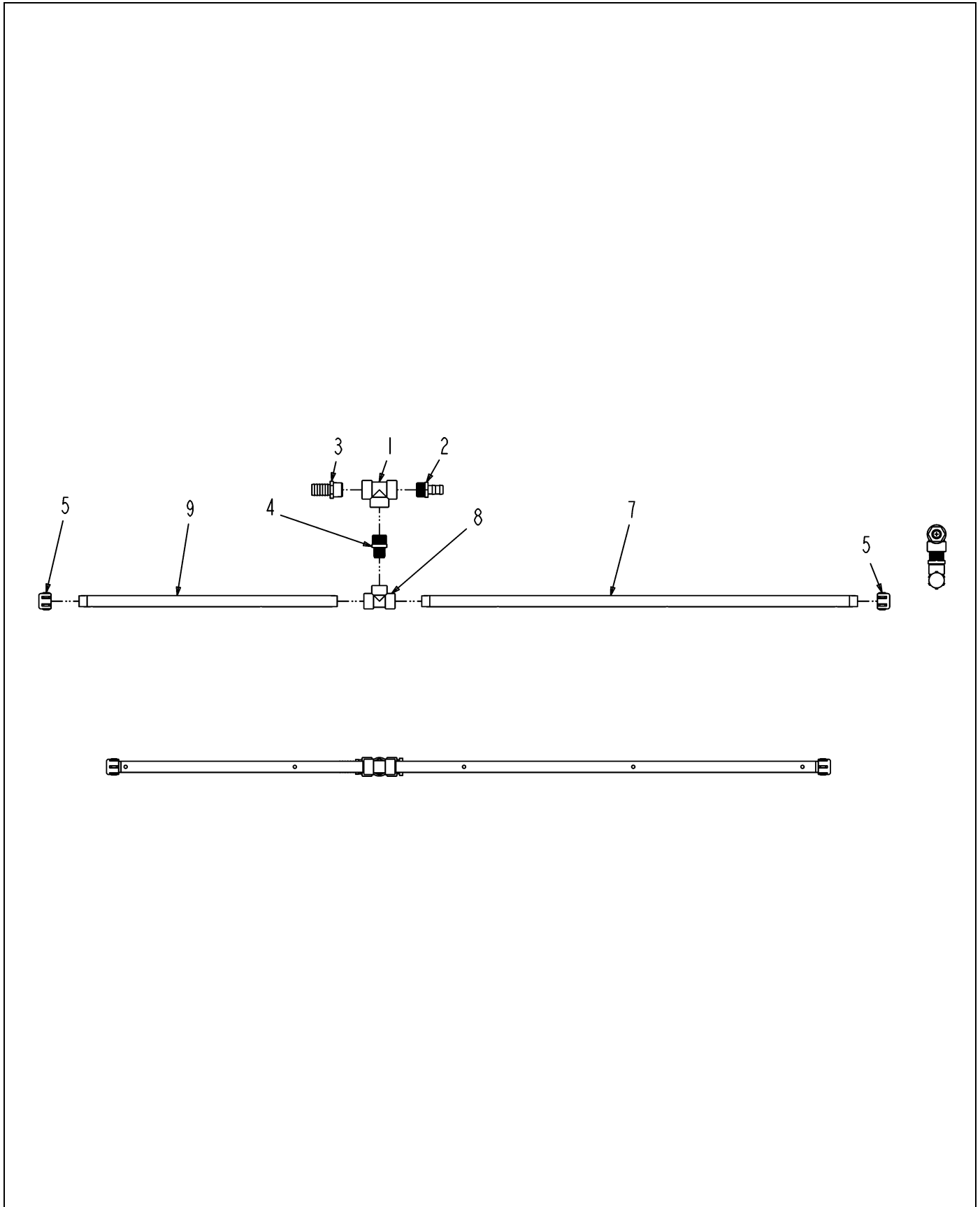
ITEM	PART #	QTY	DESCRIPTION	COMMENTS
1	AG051059	1	BARB-HOSE,1.00MNPTX1.00BARB,PP	
2	AG051127	3	ELBOW-PIPE,1.00FNPT,90D,PP	
3	AG051153	1	NIPPLE-PIPE,1.00NPTXCLS,PP	
4	AG051536	2	CAP-PIPE,1.00NPT PP	
5	AG051904	1	NIPPLE 1.00NPTX 2.50 304SS	
6	AG129187	AR	PIPE SEALANT-FLEX BLACK	
7	AG234787	1	TUBE-POLY 5.00 X 10.00 CTRS	
8	AG239723	1	TUBE-25.81,POLY	
9	AG516405	1	TEE,PIPE,1.00FNPT,PP	
10	506807D1	1	TUBE-POLY,10.19,NO HOLES	



506746D1-01-M790-.tif

PIPE ASM-T W/2 1.00HB,7X20,PP

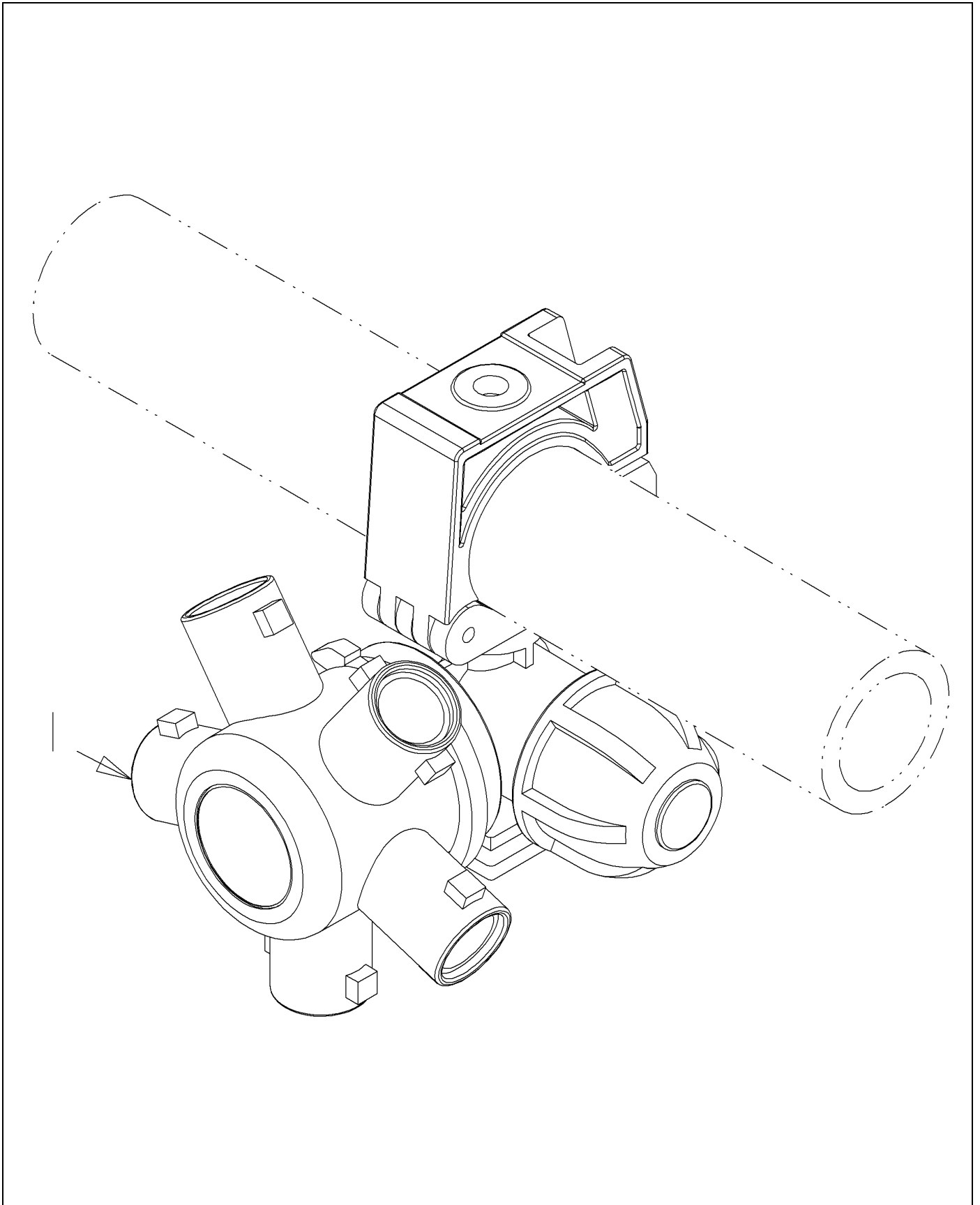
ITEM	PART #	QTY	DESCRIPTION	COMMENTS
1	AG051059	2	BARB-HOSE,1.00MNPTX1.00BARB,PP	
2	AG051153	1	NIPPLE-PIPE,1.00NPTXCLS,PP	
3	AG051536	2	CAP-PIPE,1.00NPT PP	
4	AG129187	AR	PIPE SEALANT-FLEX BLACK	
5	AG234462	1	TUBE 71.50 BOOM	
6	AG239721	1	TUBE-51.50,POLY	
7	AG516405	2	TEE,PIPE,1.00FNPT,PP	



506747D1-01-M790-.TIF

PIPE ASM-T W/1.25/1HB,5X20,PP

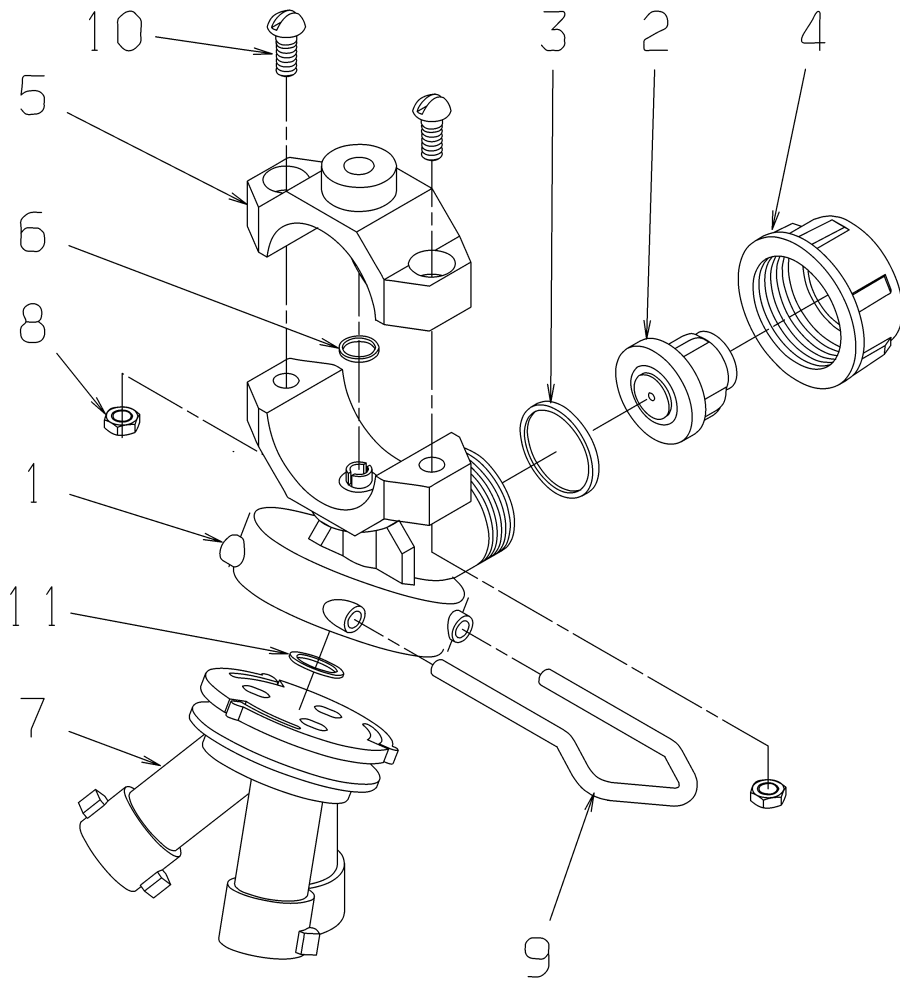
ITEM	PART #	QTY	DESCRIPTION	COMMENTS
1	AG051162	1	TEE,PIPE,1.25FNPT,PP	
2	AG051185	1	BARB-HOSE,1.25MNPTX1.00BARB,PP	
3	AG051186	1	BARB-HOSE,1.25MNPTX1.25BARB,PP	
4	AG051437	1	NIPPLE RED 1.25NPTX1.00NPT PP	
5	AG051536	2	CAP-PIPE,1.00NPT PP	
6	AG129187	AR	PIPE SEALANT-FLEX BLACK	
7	AG239721	1	TUBE-51.50,POLY	
8	AG516405	1	TEE,PIPE,1.00FNPT,PP	
9	506808D1	1	TUBE-POLY,30.50,20IN CTR	



519131D1-01-R483-.TIF

OPT-NOZ,5WAY,RTRY,120X10,ON

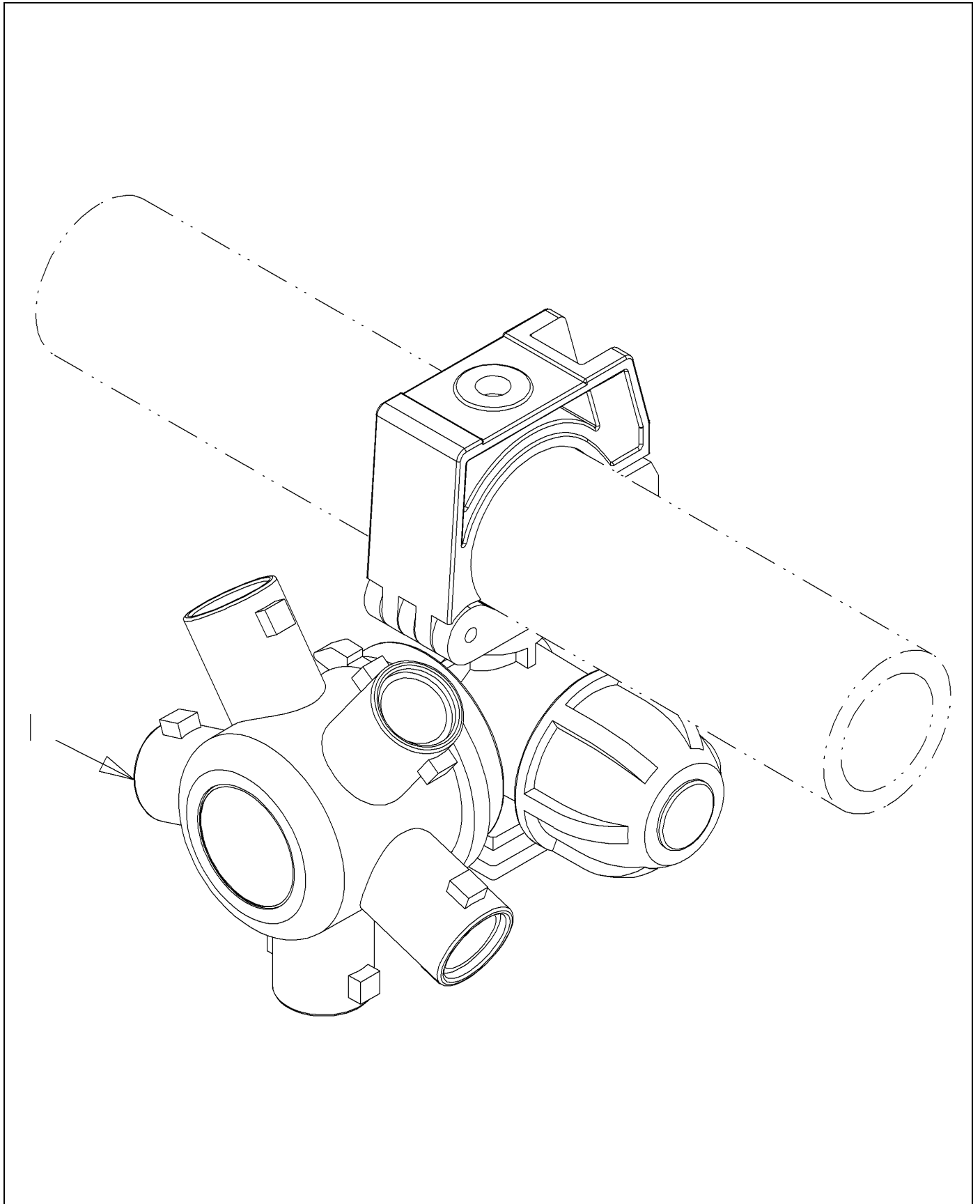
ITEM	PART #	QTY	DESCRIPTION	COMMENTS
1	513297D1	143	BODY-NOZZLE,5WAY,RTRY,1.00	



519562.TIF

NOZ HLDR-TPL 1.00 IPS

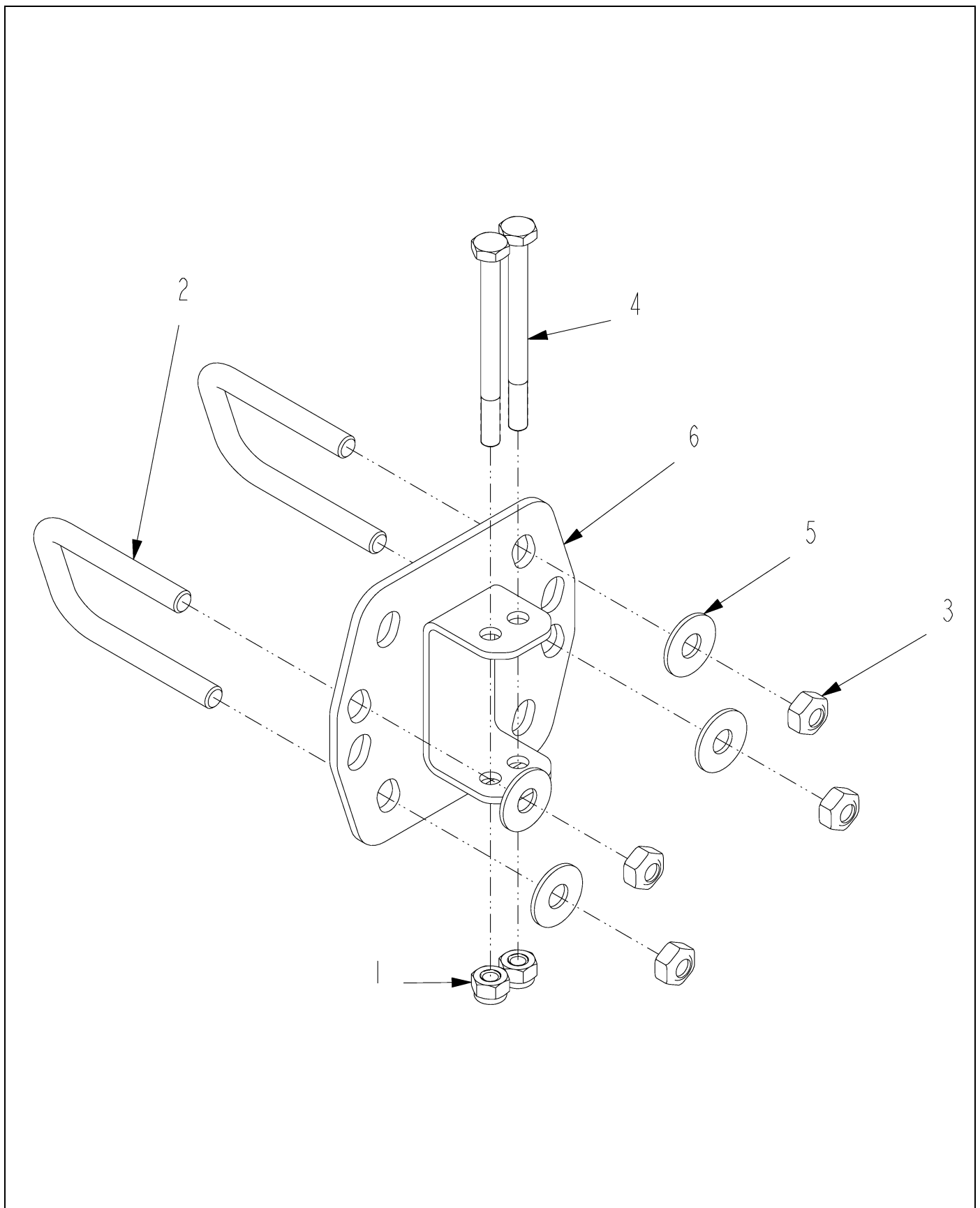
ITEM	PART #	QTY	DESCRIPTION	COMMENTS
1	AG609922	1	TRIPLE BODY FOR 1.00 IN PIPE	
2	AG609737	1	ANTI DRIP ASM 7PSI (RED)	
3	AG609738	1	DIAPHRAGM EPDM	
4	AG609739	1	END CAP	
5	AG609921	1	CLAMP 1.00 INCH	
6	AG609741	1	O RING	
7	AG609743	1	TRIPLE BODY	
8	AG563095	2	NUT 10-24 SS W/STAR WASHER	
9	AG609745	1	PIN	
10	AG563096	2	SCR/NUT-10-24X.75,SS,RHS	
11	AG609918	1	O RING EPDM R/B 610068	



519132D1-01-R483-.TIF

OPT-NOZ,5WAY,RTRY,120X20,OFF

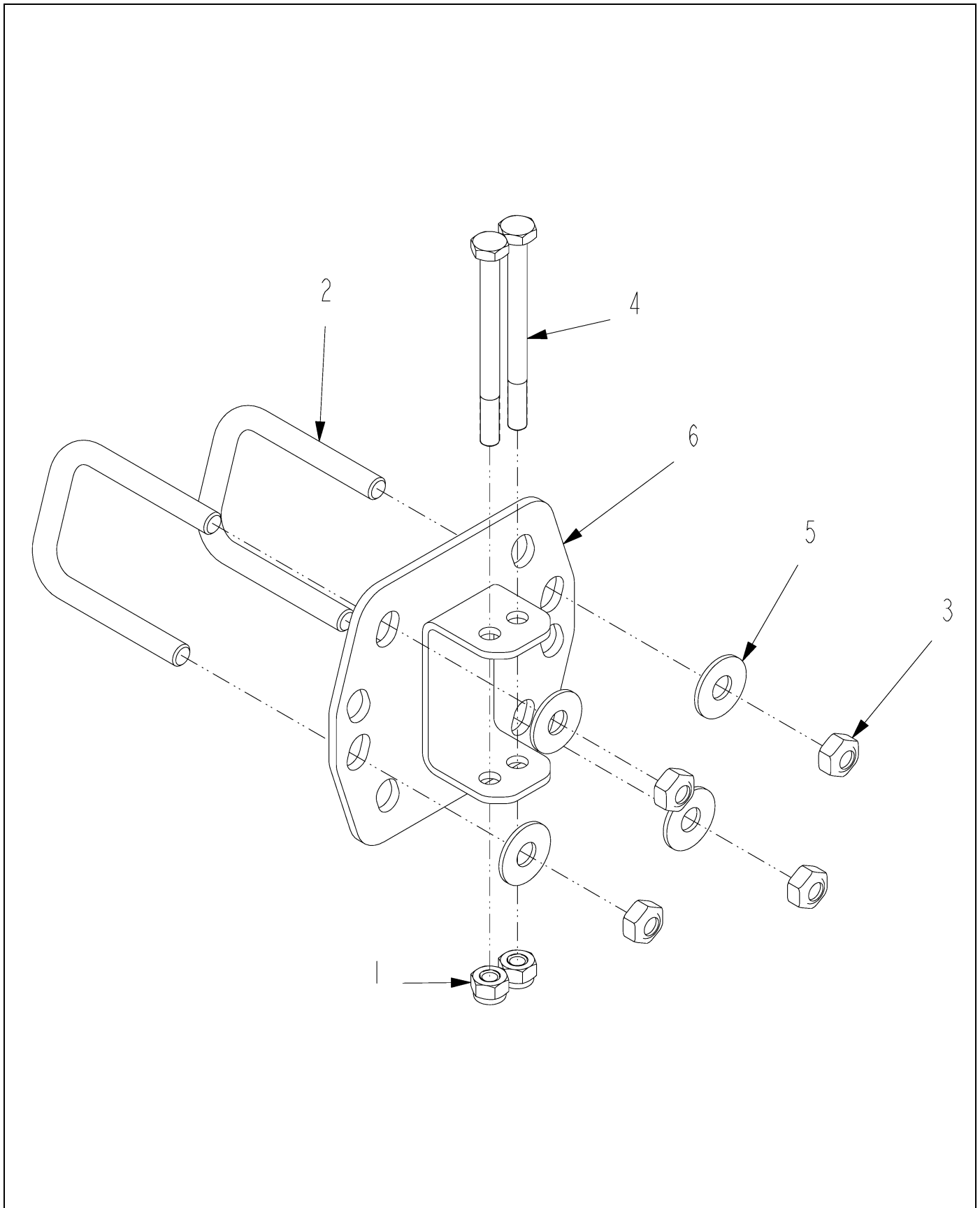
ITEM	PART #	QTY	DESCRIPTION	COMMENTS
1	513297D1	72	BODY-NOZZLE,5WAY,RTRY,1.00	



509056D1-01-N056-.TIF

BRKT ASM-MTG,ANG,INR,SNSR,RH

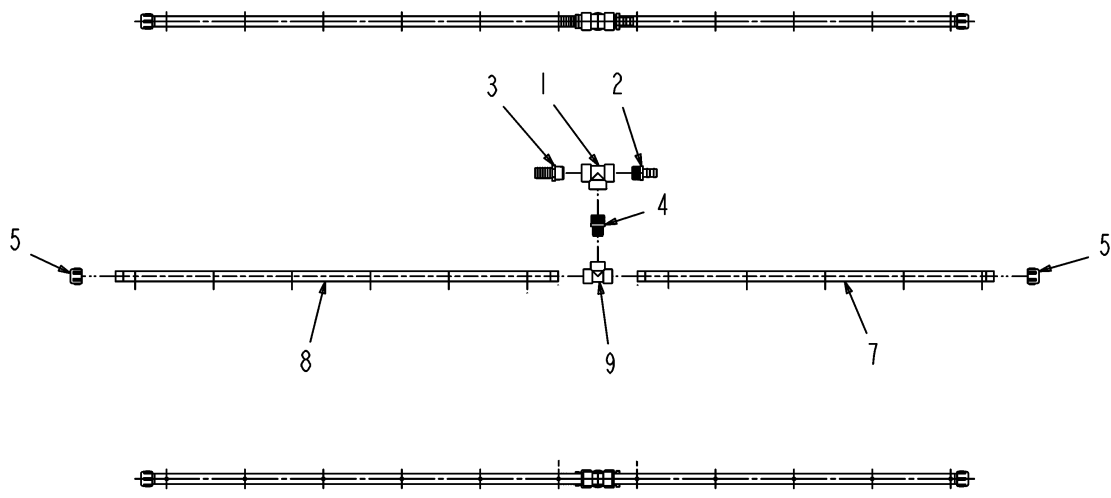
ITEM	PART #	QTY	DESCRIPTION	COMMENTS
1	AG027275	2	NUT 0.25-20NC HEX SS REG NY	
2	AG231204	2	BOLT-U .31-18X1.88X2.63	
3	AG516403	4	NUT 0.31-18NC HEX SS REG NY	
4	AG518492	2	BOLT 0.25-20NCX 3.00 SS HHD	
5	AG562074	4	WASHER 0.31 FL SS REG TYPE-B	
6	509058D1	1	BRKT WLDMT-MTG,ANG,INR,SNSR	



509057D1-01-N056-.TIF

BRKT ASM-MTG,ANG,INR,SNSR,LH

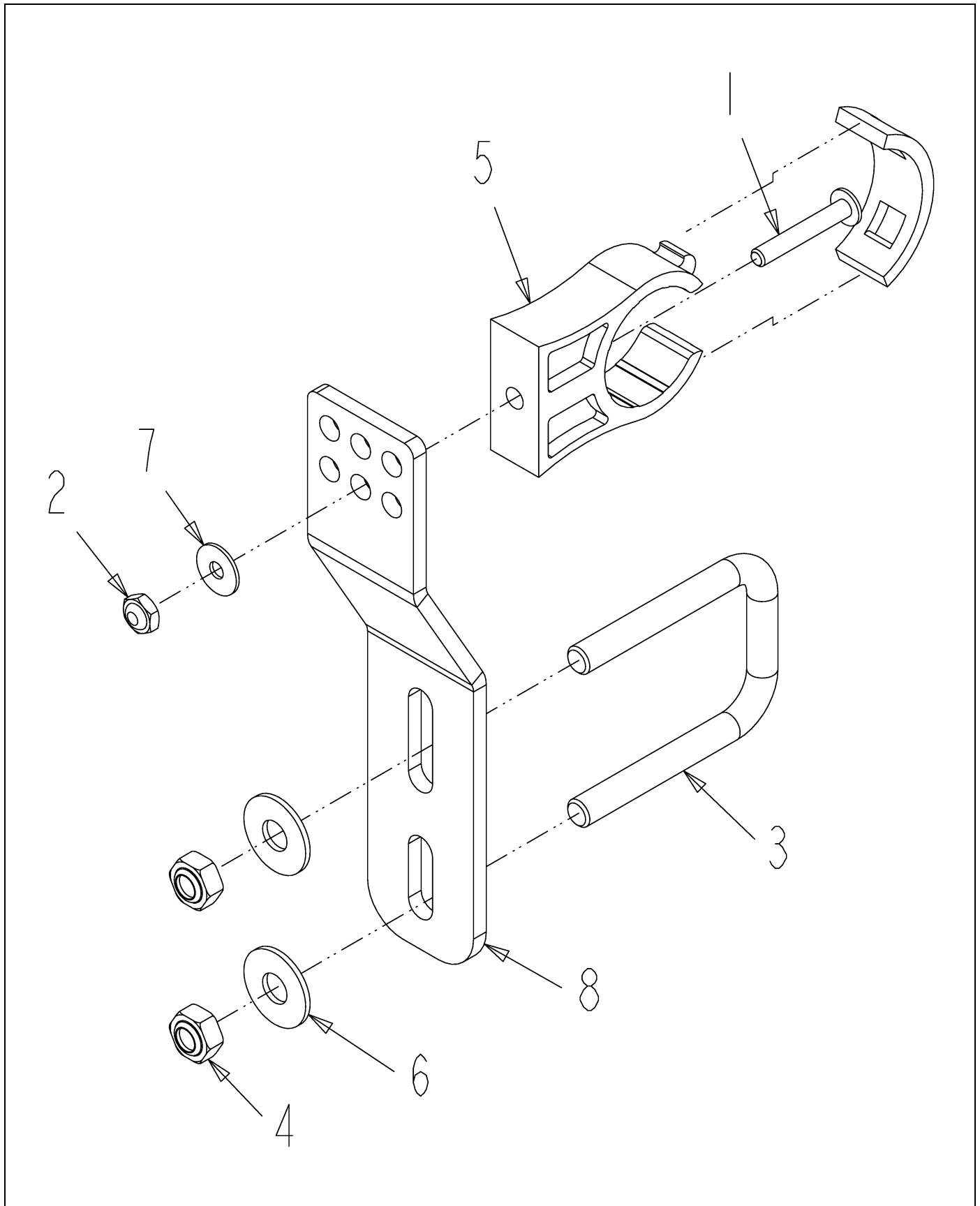
ITEM	PART #	QTY	DESCRIPTION	COMMENTS
1	AG027275	2	NUT 0.25-20NC HEX SS REG NY	
2	AG231204	2	BOLT-U .31-18X1.88X2.63	
3	AG516403	4	NUT 0.31-18NC HEX SS REG NY	
4	AG518492	2	BOLT 0.25-20NCX 3.00 SS HHD	
5	AG562074	4	WASHER 0.31 FL SS REG TYPE-B	
6	509058D1	1	BRKT WLDMT-MTG,ANG,INR,SNSR	



134657-A.tif

PIPE ASM-T W/1.25/1HB,11X10,PP

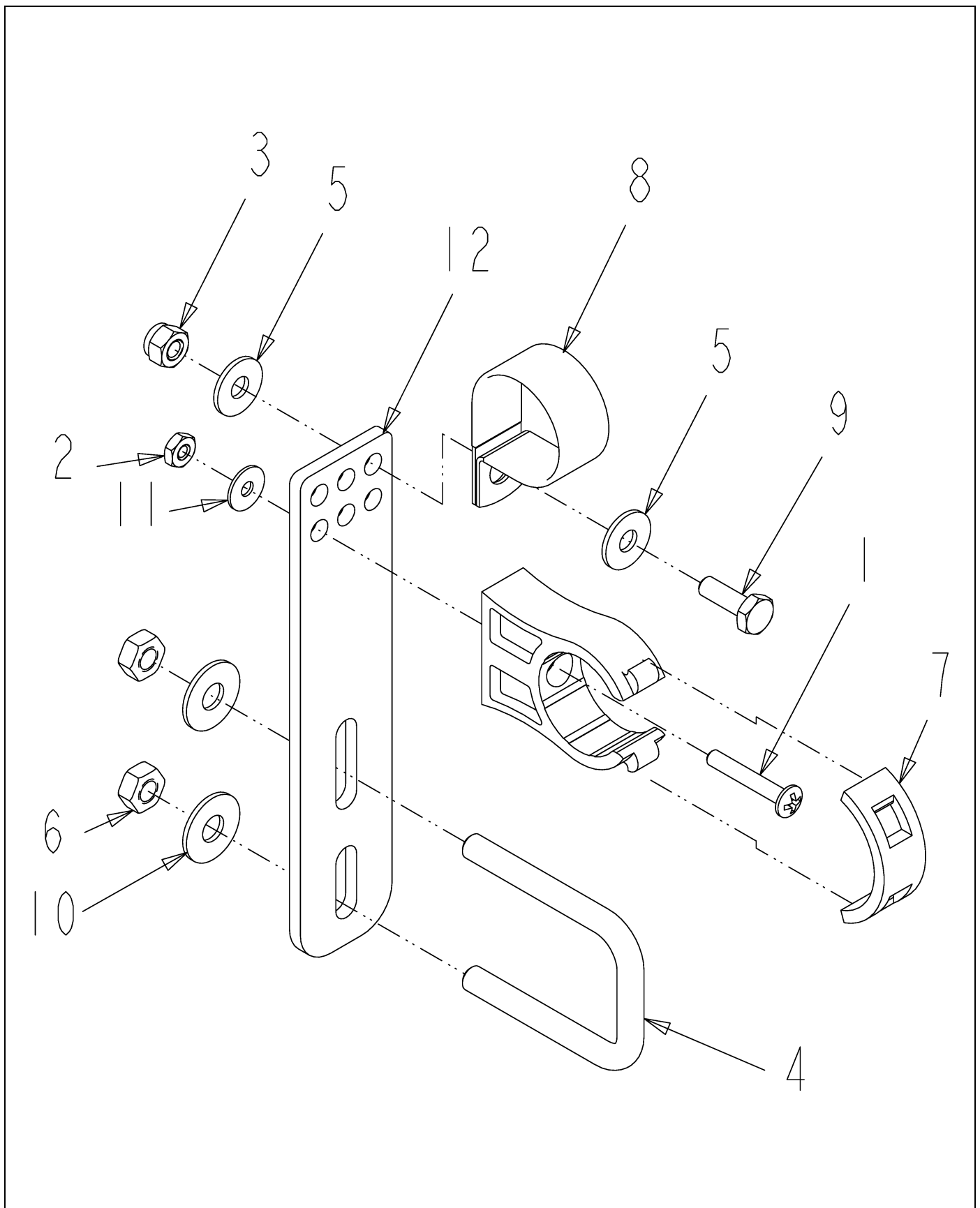
ITEM	PART #	QTY	DESCRIPTION	COMMENTS
1	AG051162	1	TEE,PIPE,1.25FNPT,PP	
2	AG051185	1	BARB-HOSE,1.25MNPTX1.00BARB,PP	
3	AG051186	1	BARB-HOSE,1.25MNPTX1.25BARB,PP	
4	AG051437	1	NIPPLE RED 1.25NPTX1.00NPT PP	
5	AG051536	2	CAP-PIPE,1.00NPT PP	
6	AG129187	AR	PIPE SEALANT-FLEX BLACK	
7	AG239930	1	TUBE-POLY,45.44,10IN CTR	
8	AG239937	1	TUBE-POLY,56.44,10IN CTR	
9	AG516405	1	TEE,PIPE,1.00FNPT,PP	



509887D1-01-N648-.TIF

BRKT ASM-Z,SH,1.00IPS

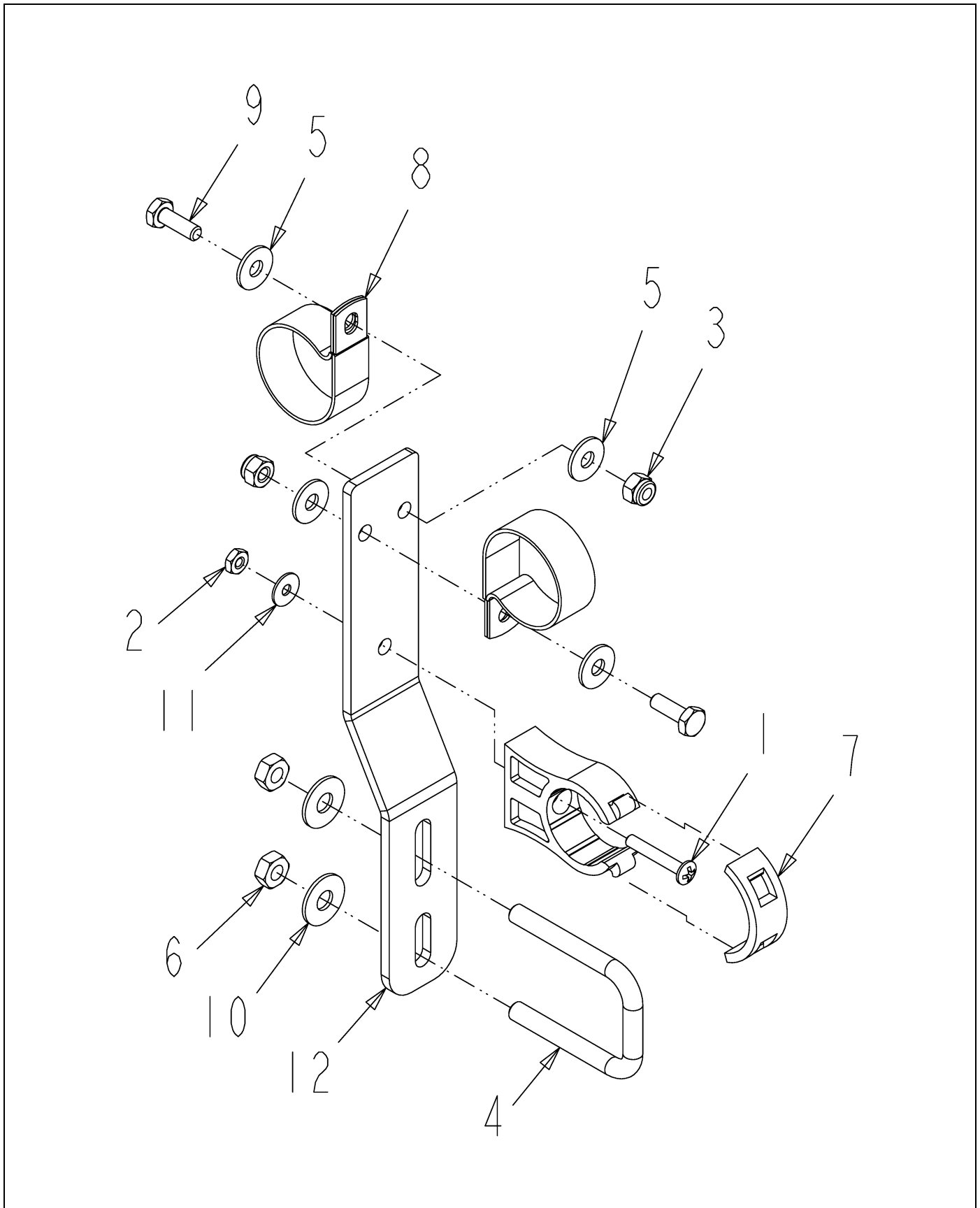
ITEM	PART #	QTY	DESCRIPTION	COMMENTS
1	AG027273	1	SCREW 10-24X 1.25 PHD PHILSS(P	
2	AG027274	1	NUT #10-24NC HEX SS REG NY	
3	AG231204	1	BOLT-U .31-18X1.88X2.63	
4	AG516403	2	NUT 0.31-18NC HEX SS REG NY	
5	AG519749	1	CLAMP 1.00 IPS POLY	
6	AG562074	2	WASHER 0.31 FL SS REG TYPE-B	
7	AG562082	1	WASHER #10 FL SS REG TYPE-B	
8	509881D1	1	BRKT-Z,STANDOFF,SH	



509888D1-01-N648-.TIF

BRKT ASM-Z,SH,UPR IPS/PCLP

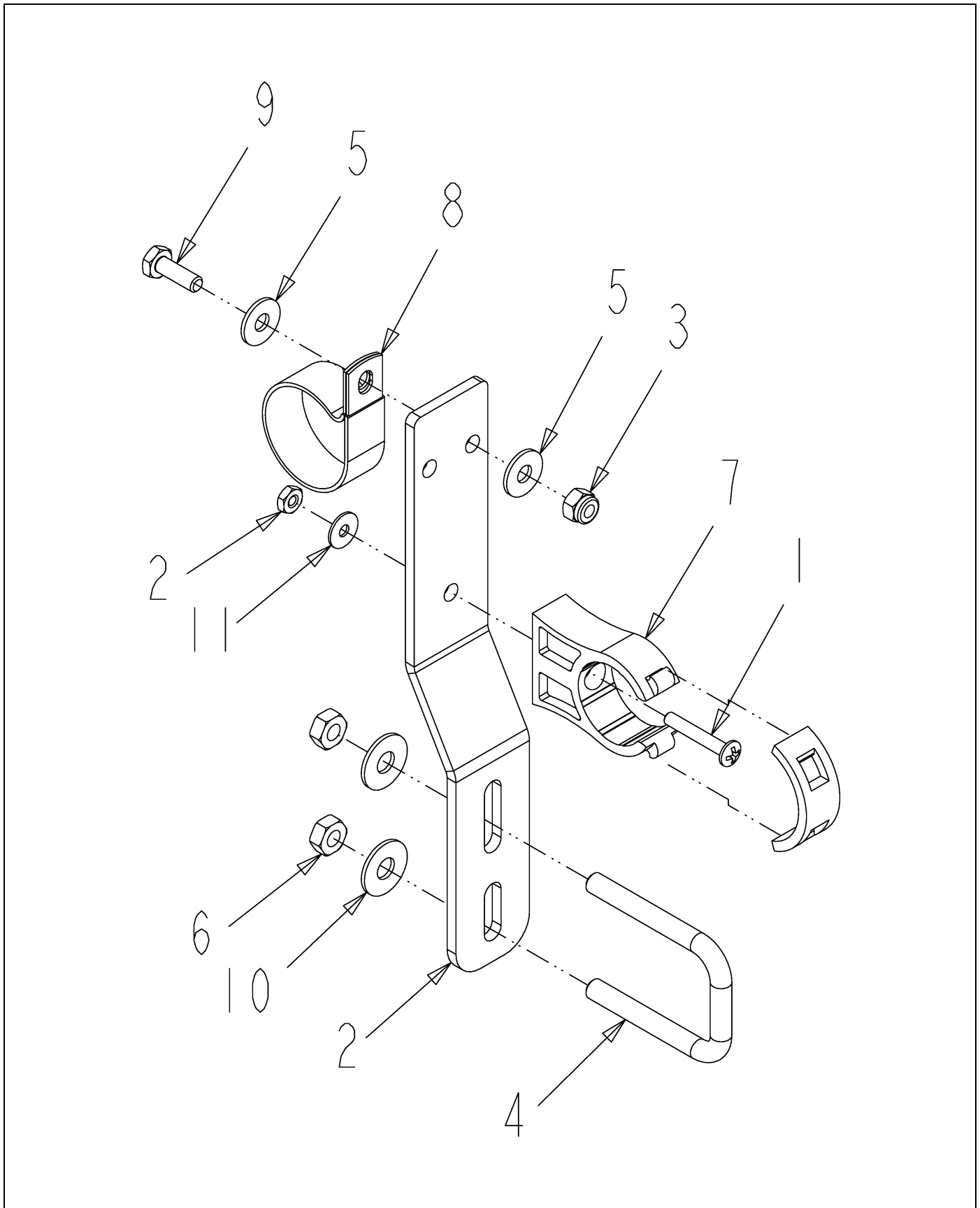
ITEM	PART #	QTY	DESCRIPTION	COMMENTS
1	AG027273	1	SCREW 10-24X 1.25 PHD PHILSS(P	
2	AG027274	1	NUT #10-24NC HEX SS REG NY	
3	AG027275	1	NUT 0.25-20NC HEX SS REG NY	
4	AG231204	1	BOLT-U .31-18X1.88X2.63	
5	AG515121	2	WASHER 0.25 FL SS REG TYPE-B	
6	AG516403	2	NUT 0.31-18NC HEX SS REG NY	
7	AG519749	1	CLAMP 1.00 IPS POLY	
8	AG519751	1	CLAMP 1.38 DIA COATED HOSE	
9	AG562054	1	BOLT 0.25-20NCX 0.75 SS HHD	
10	AG562074	2	WASHER 0.31 FL SS REG TYPE-B	
11	AG562082	1	WASHER #10 FL SS REG TYPE-B	
12	511432D1	1	BRKT-STR,LG STANDOFF	



509889D1-01-N649-.TIF

BRKT ASM-Z,LG,2IPS/PCLP

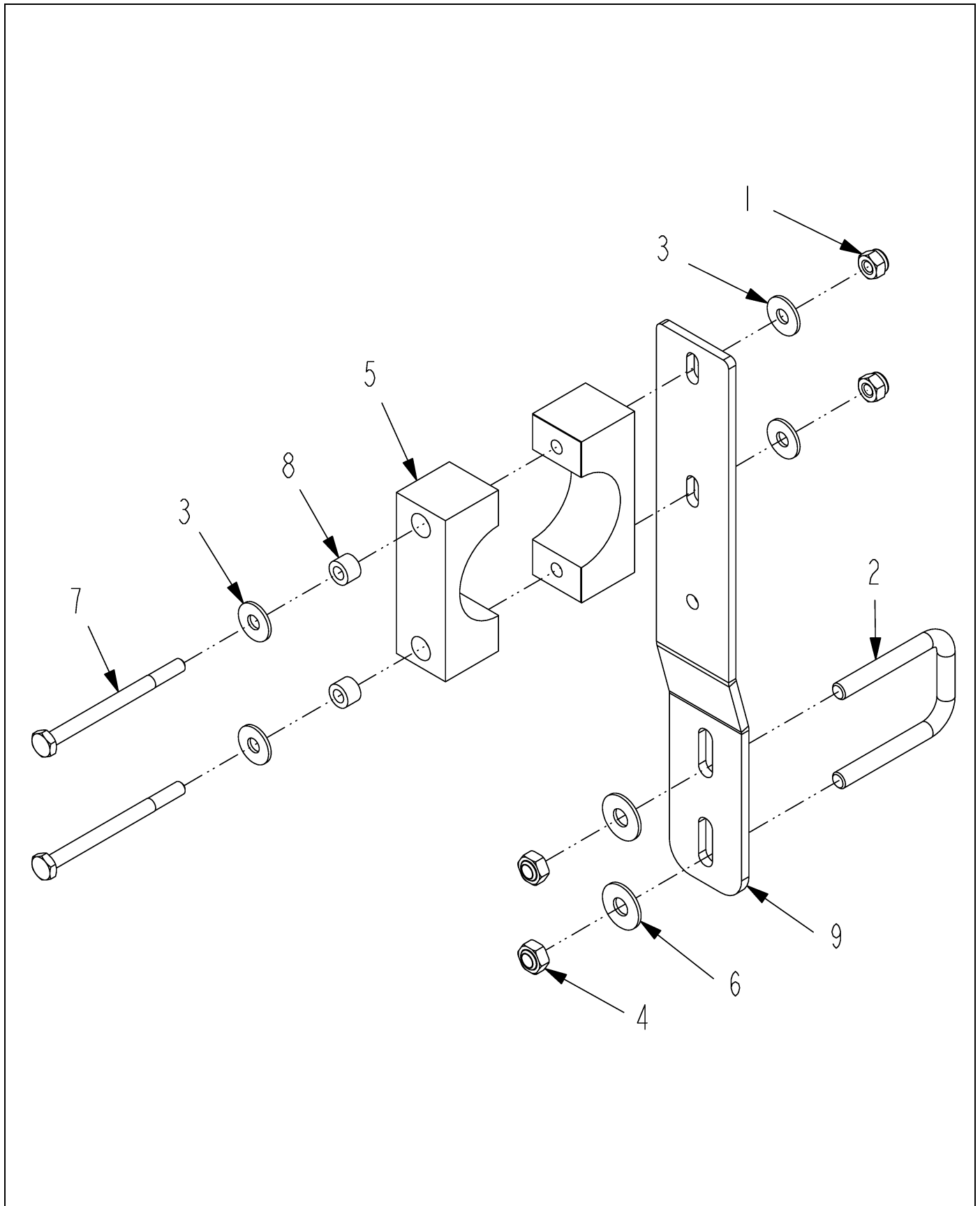
ITEM	PART #	QTY	DESCRIPTION	COMMENTS
1	AG027273	1	SCREW 10-24X 1.25 PHD PHILSS(P	
2	AG027274	1	NUT #10-24NC HEX SS REG NY	
3	AG027275	2	NUT 0.25-20NC HEX SS REG NY	
4	AG231204	1	BOLT-U .31-18X1.88X2.63	
5	AG515121	4	WASHER 0.25 FL SS REG TYPE-B	
6	AG516403	2	NUT 0.31-18NC HEX SS REG NY	
7	AG519749	1	CLAMP 1.00 IPS POLY	
8	AG523412	2	CLAMP-1.62 DIA,COATED HOSE	
9	AG562054	2	BOLT 0.25-20NCX 0.75 SS HHD	
10	AG562074	2	WASHER 0.31 FL SS REG TYPE-B	
11	AG562082	1	WASHER #10 FL SS REG TYPE-B	
12	509882D1	1	BRKT-Z,STANDOFF,LG	



509890D1-01-N649-.TIF

BRKT ASM-Z,LG,LWR IPS/PCLP

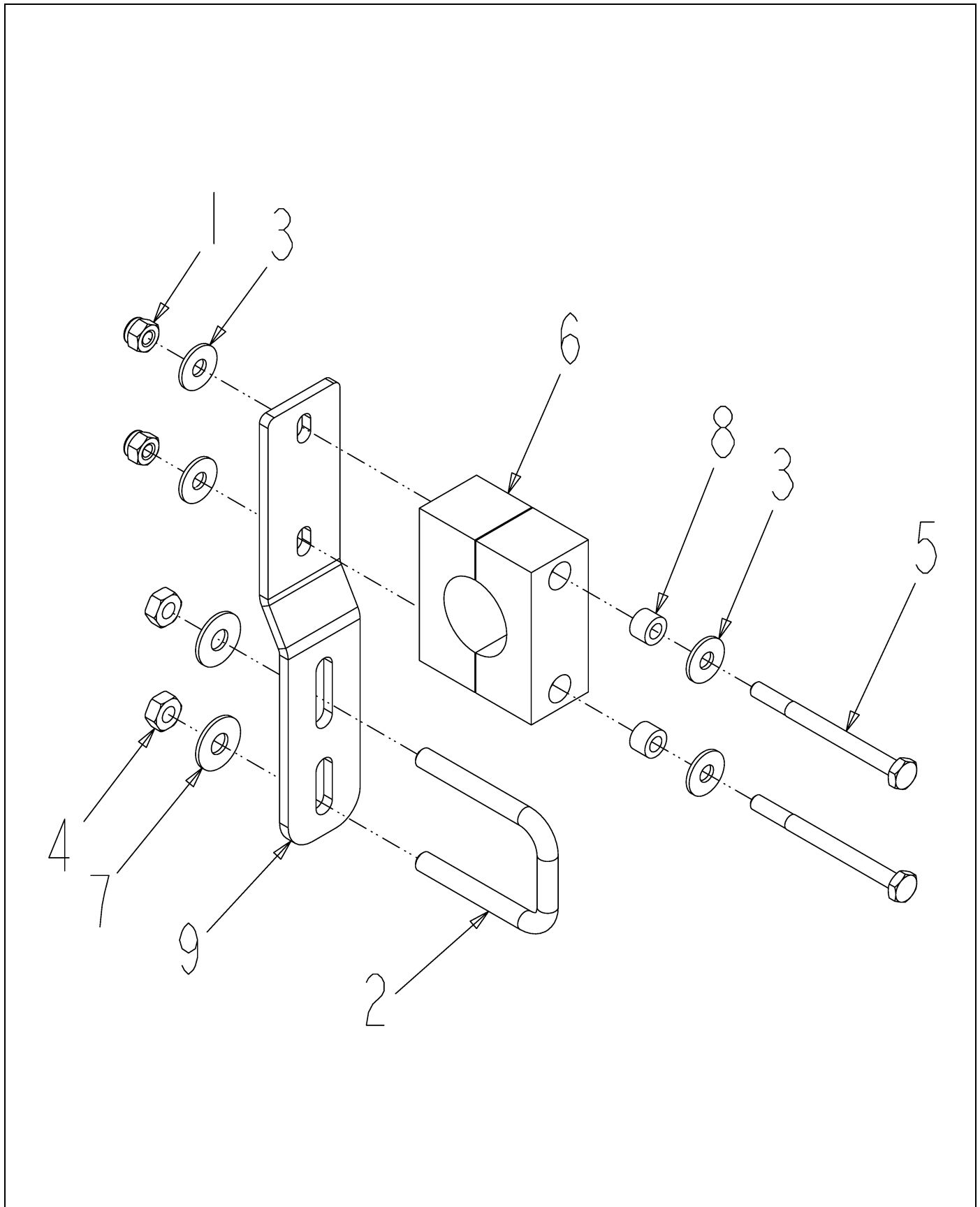
ITEM	PART #	QTY	DESCRIPTION	COMMENTS
1	AG027273	1	SCREW 10-24X 1.25 PHD PHILSS(P	
2	AG027274	1	NUT #10-24NC HEX SS REG NY	
3	AG027275	1	NUT 0.25-20NC HEX SS REG NY	
4	AG231204	1	BOLT-U .31-18X1.88X2.63	
5	AG515121	2	WASHER 0.25 FL SS REG TYPE-B	
6	AG516403	2	NUT 0.31-18NC HEX SS REG NY	
7	AG519749	1	CLAMP 1.00 IPS POLY	
8	AG523412	1	CLAMP-1.62 DIA,COATED HOSE	
9	AG562054	1	BOLT 0.25-20NCX 0.75 SS HHD	
10	AG562074	2	WASHER 0.31 FL SS REG TYPE-B	
11	AG562082	1	WASHER #10 FL SS REG TYPE-B	
12	509882D1	1	BRKT-Z,STANDOFF,LG	



509892D1-01-N648-.TIF

BRKT ASM-Z,LG,1.50 STAUFF

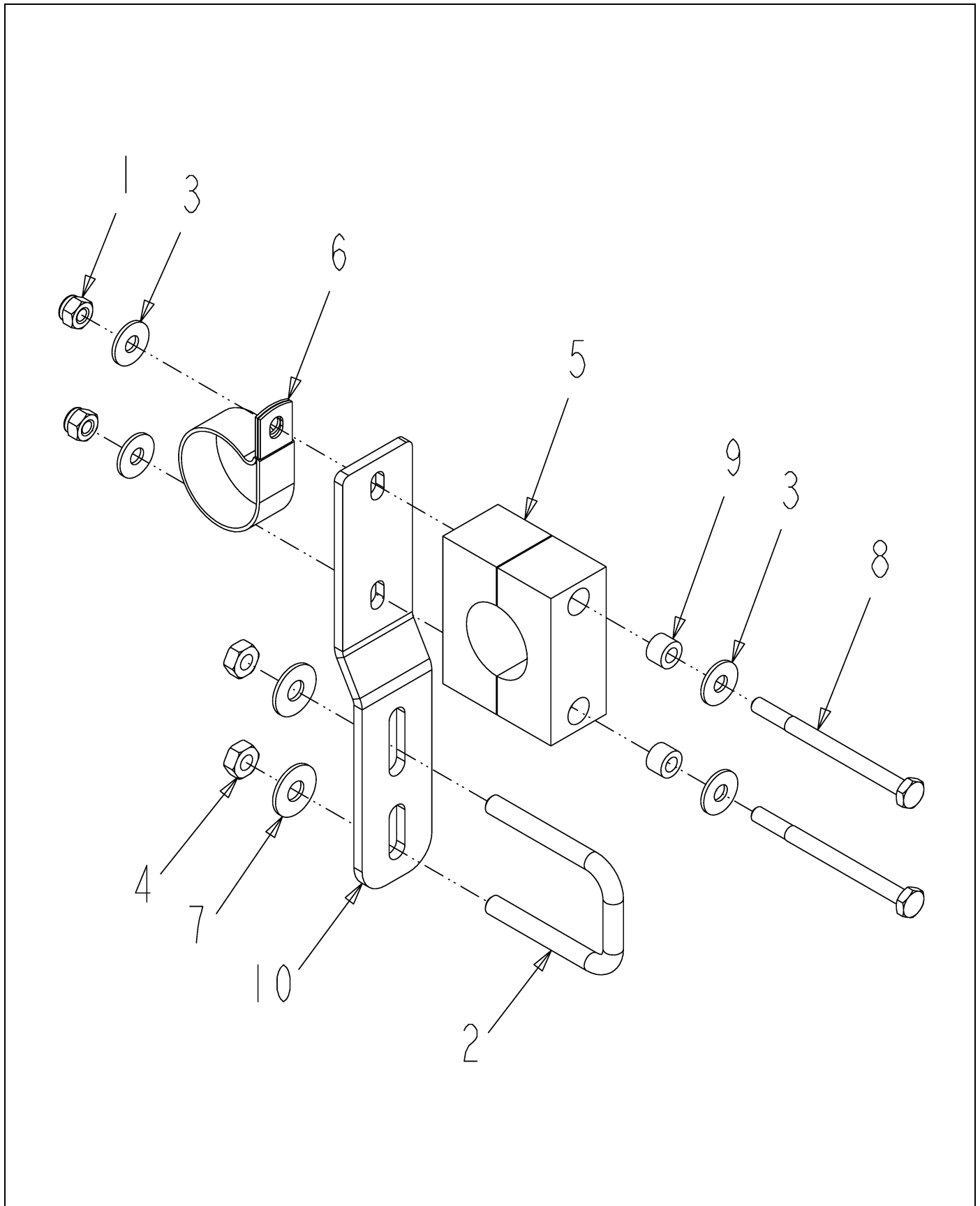
ITEM	PART #	QTY	DESCRIPTION	COMMENTS
1	AG027275	2	NUT 0.25-20NC HEX SS REG NY	
2	AG231204	1	BOLT-U .31-18X1.88X2.63	
3	AG515121	4	WASHER 0.25 FL SS REG TYPE-B	
4	AG516403	2	NUT 0.31-18NC HEX SS REG NY	
5	AG519180	1	CLAMP 1.50 BLACK POLY	
6	AG562074	2	WASHER 0.31 FL SS REG TYPE-B	
7	AG563061	2	BOLT 0.25-20NCX 3.25 SS HHD	
8	AG609777	2	INSERT STAUFF SPACER	
9	509884D1	1	BRKT-Z,STANDOFF,LG,1.50STAUFF	



509893D1-01-N648-.TIF

BRKT ASM-Z,PP STAUFF

ITEM	PART #	QTY	DESCRIPTION	COMMENTS
1	AG027275	2	NUT 0.25-20NC HEX SS REG NY	
2	AG231204	1	BOLT-U .31-18X1.88X2.63	
3	AG515121	4	WASHER 0.25 FL SS REG TYPE-B	
4	AG516403	2	NUT 0.31-18NC HEX SS REG NY	
5	AG518492	2	BOLT 0.25-20NCX 3.00 SS HHD	
6	AG519748	1	CLAMP 1.00 PIPE	[A]
7	AG562074	2	WASHER 0.31 FL SS REG TYPE-B	
8	AG609777	2	INSERT STAUFF SPACER	
9	509883D1	1	BRKT-Z,STANDOFF,SH,STAUFF	
	FOOTNOTE [A]		2 INSERTS AND 2 CLAMP MAKE UP 1 PART. BOLT - AG563061, WASHER - AG515121, NUT - AG027275,	

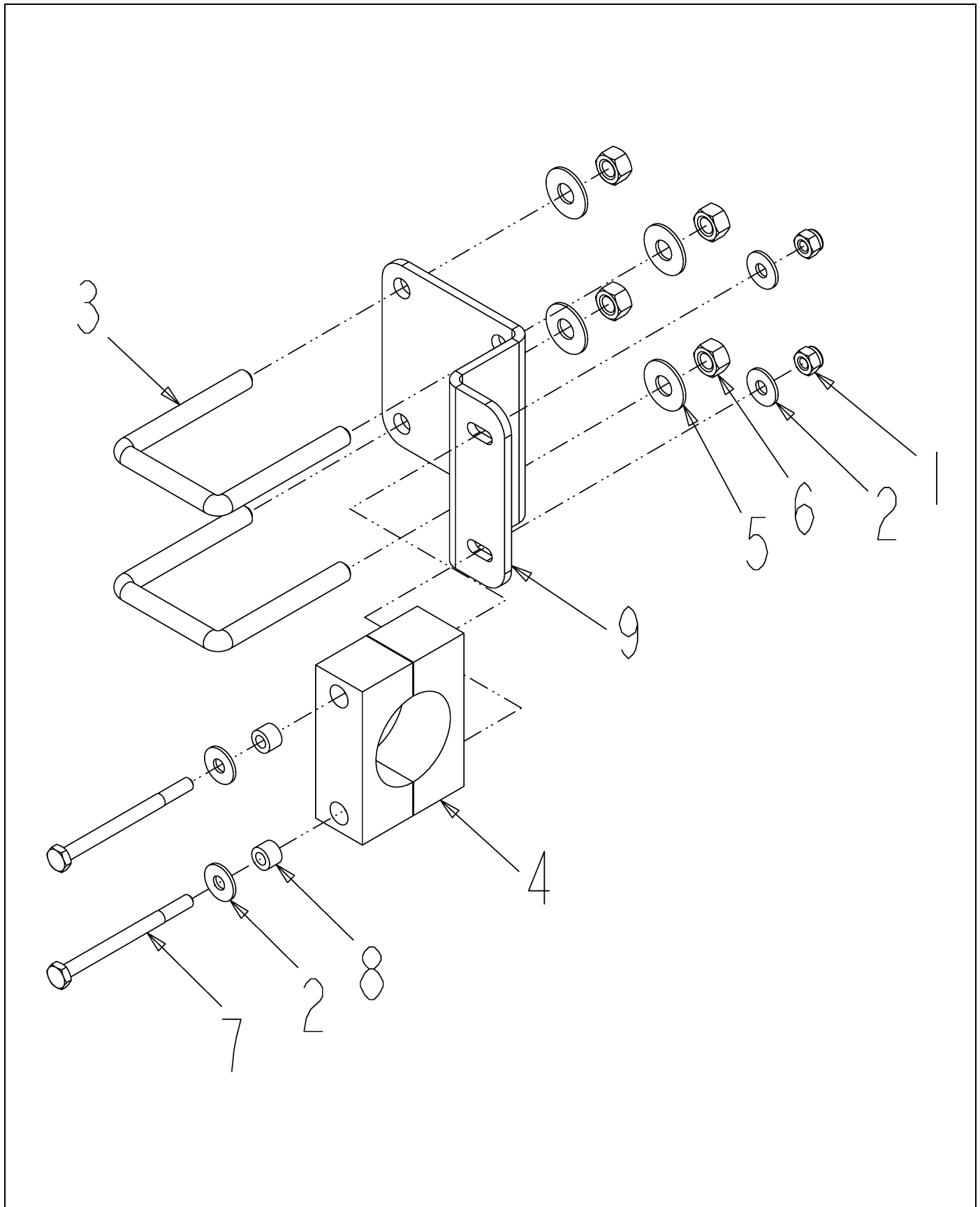


509894D1-01-N648-.TIF

BRKT ASM-Z,PP STAUFF,LWR PCLP

ITEM	PART #	QTY	DESCRIPTION	COMMENTS
1	AG027275	2	NUT 0.25-20NC HEX SS REG NY	
2	AG231204	1	BOLT-U .31-18X1.88X2.63	
3	AG515121	4	WASHER 0.25 FL SS REG TYPE-B	
4	AG516403	2	NUT 0.31-18NC HEX SS REG NY	
5	AG519748	1	CLAMP 1.00 PIPE	[A]
6	AG523412	1	CLAMP-1.62 DIA,COATED HOSE	
7	AG562074	2	WASHER 0.31 FL SS REG TYPE-B	
8	AG563061	2	BOLT 0.25-20NCX 3.25 SS HHD	
9	AG609777	2	INSERT STAUFF SPACER	
10	509883D1	1	BRKT-Z,STANDOFF,SH,STAUFF	
	FOOTNOTE [A]		2 INSERTS AND 2 CLAMP MAKE UP 1 PART. BOLT - AG563061, WASHER - AG515121, NUT - AG027275,	

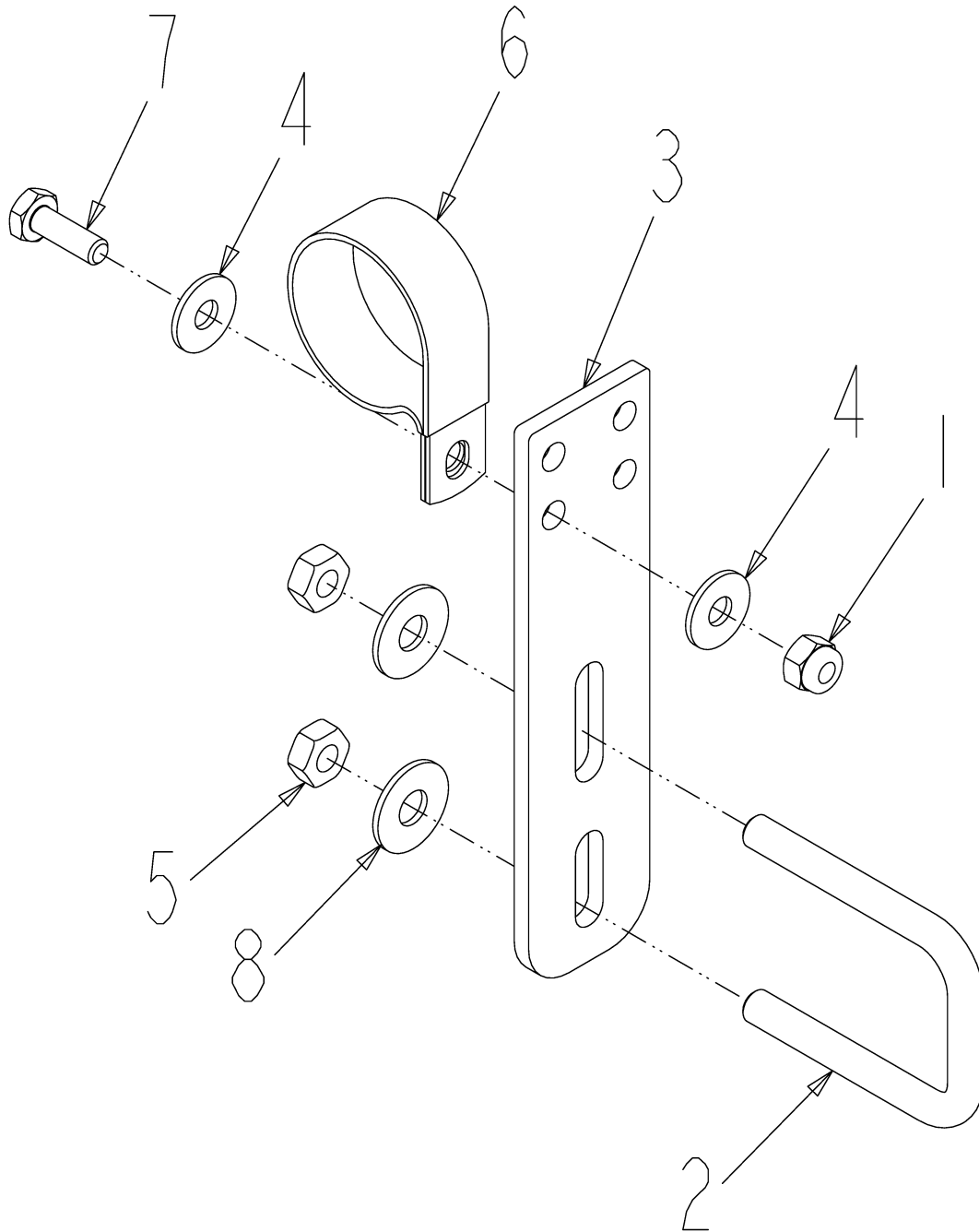
BRKT ASM-Z,SIDE MTG,1.50STAUFF



509896D1-01-N648-.TIF

BRKT ASM-Z,SIDE MTG,1.50STAUFF

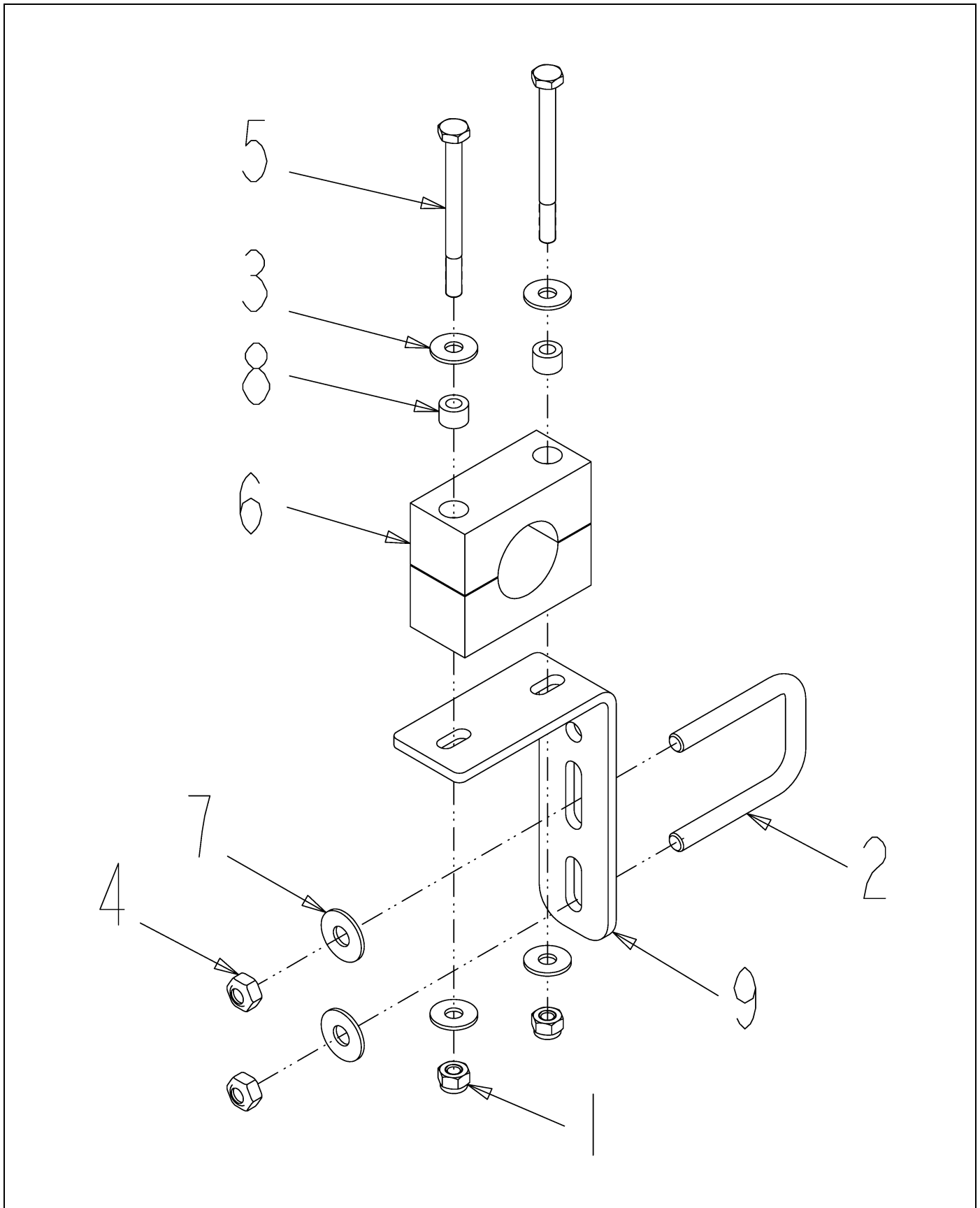
ITEM	PART #	QTY	DESCRIPTION	COMMENTS
1	AG027275	2	NUT 0.25-20NC HEX SS REG NY	
2	AG515121	4	WASHER 0.25 FL SS REG TYPE-B	
3	AG516992	2	BOLT-U .38-16X2.12X 3.06SQ SS	
4	AG519180	1	CLAMP 1.50 BLACK POLY	
5	AG562073	4	WASHER 0.37 FL SS REG TYPE-B	
6	AG562123	4	NUT 0.37-16NC HEX SS C-LK	
7	AG563061	2	BOLT 0.25-20NCX 3.25 SS HHD	
8	AG609777	2	INSERT STAUFF SPACER	
9	509997D1	1	BRKT-MTG,SIDE,CLAMP,1.50STAUFF	



509953D1-01-N648-.TIF

BRKT ASM-STR,SH,PCLP

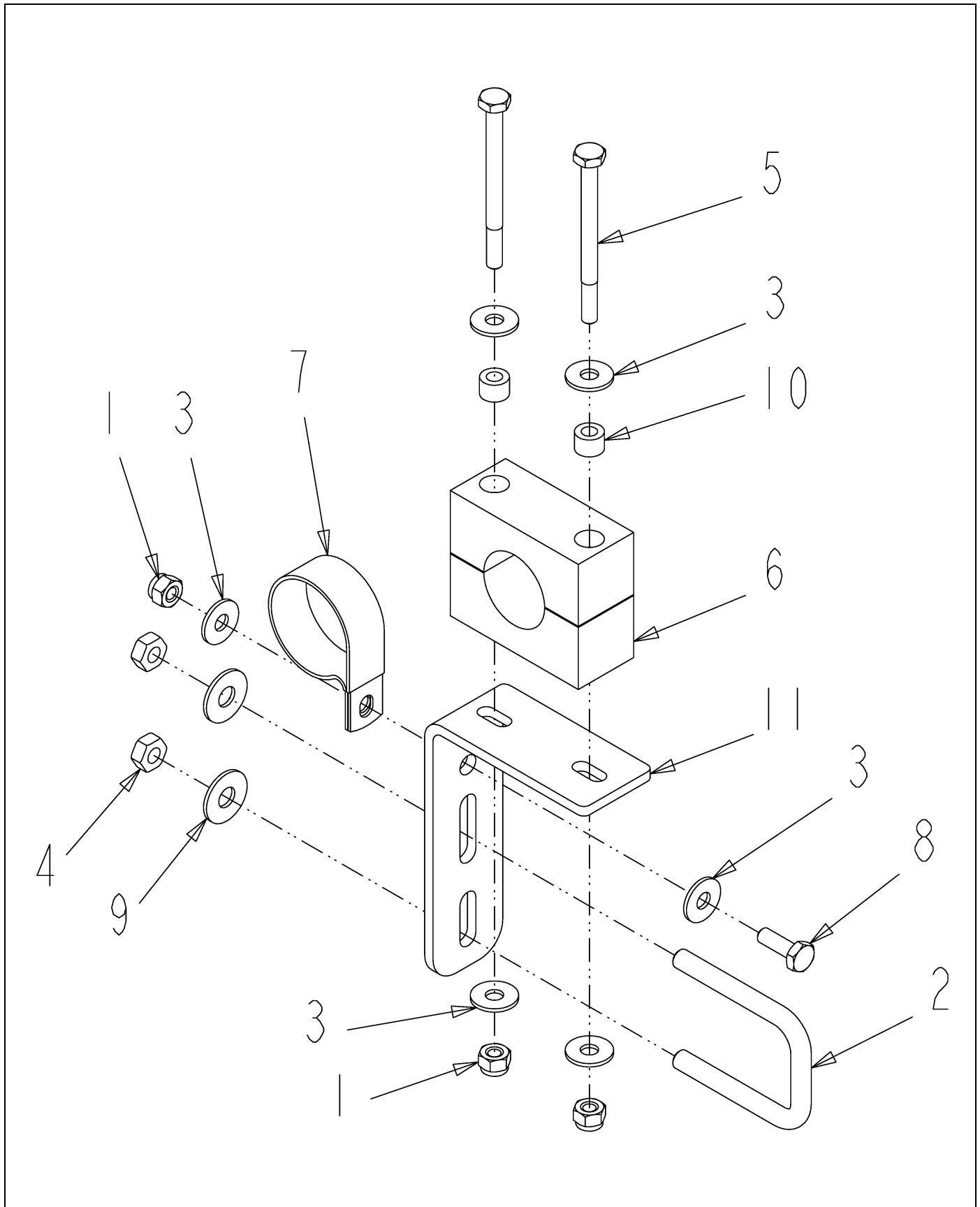
ITEM	PART #	QTY	DESCRIPTION	COMMENTS
1	AG027275	1	NUT 0.25-20NC HEX SS REG NY	
2	AG231204	1	BOLT-U .31-18X1.88X2.63	
3	AG234373	1	BRACKET SHORT STANDOFF	
4	AG515121	2	WASHER 0.25 FL SS REG TYPE-B	
5	AG516403	2	NUT 0.31-18NC HEX SS REG NY	
6	AG523412	1	CLAMP-1.62 DIA,COATED HOSE	
7	AG562054	1	BOLT 0.25-20NCX 0.75 SS HHD	
8	AG562074	2	WASHER 0.31 FL SS REG TYPE-B	



509955D1-01-N648-.TIF

BRKT ASM-L,PP STAUFF

ITEM	PART #	QTY	DESCRIPTION	COMMENTS
1	AG027275	2	NUT 0.25-20NC HEX SS REG NY	
2	AG231204	1	BOLT-U .31-18X1.88X2.63	
3	AG515121	4	WASHER 0.25 FL SS REG TYPE-B	
4	AG516403	2	NUT 0.31-18NC HEX SS REG NY	
5	AG518492	2	BOLT 0.25-20NCX 3.00 SS HHD	
6	AG519748	1	CLAMP 1.00 PIPE	[A]
7	AG562074	2	WASHER 0.31 FL SS REG TYPE-B	
8	AG609777	2	INSERT STAUFF SPACER	
9	509885D1	1	BRKT-L,STANDOFF,STAUFF	
	FOOTNOTE [A]		2 INSERTS AND 2 CLAMP MAKE UP 1 PART. BOLT - AG563061, WASHER - AG515121, NUT - AG027275,	



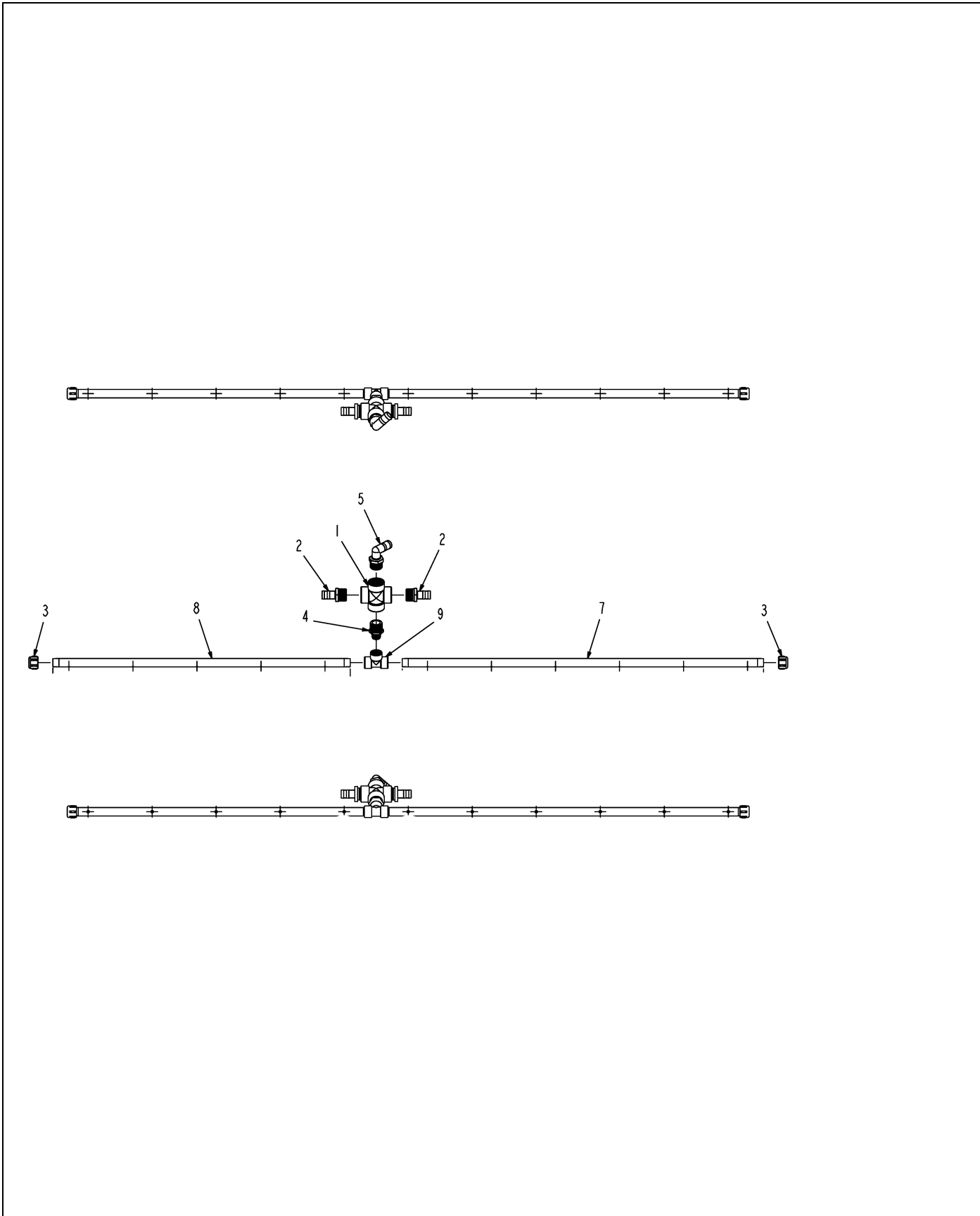
509956D1-01-N649-.TIF

BRKT ASM-L,PP STAUFF

ITEM	PART #	QTY	DESCRIPTION	COMMENTS
1	AG027275	3	NUT 0.25-20NC HEX SS REG NY	
2	AG231204	1	BOLT-U .31-18X1.88X2.63	
3	AG515121	6	WASHER 0.25 FL SS REG TYPE-B	
4	AG516403	2	NUT 0.31-18NC HEX SS REG NY	
5	AG518492	2	BOLT 0.25-20NCX 3.00 SS HHD	
6	AG519748	1	CLAMP 1.00 PIPE	[A]
7	AG523412	1	CLAMP-1.62 DIA,COATED HOSE	
8	AG562054	1	BOLT 0.25-20NCX 0.75 SS HHD	
9	AG562074	2	WASHER 0.31 FL SS REG TYPE-B	
10	AG609777	2	INSERT STAUFF SPACER	
11	509885D1	1	BRKT-L,STANDOFF,STAUFF	

FOOTNOTE [A]

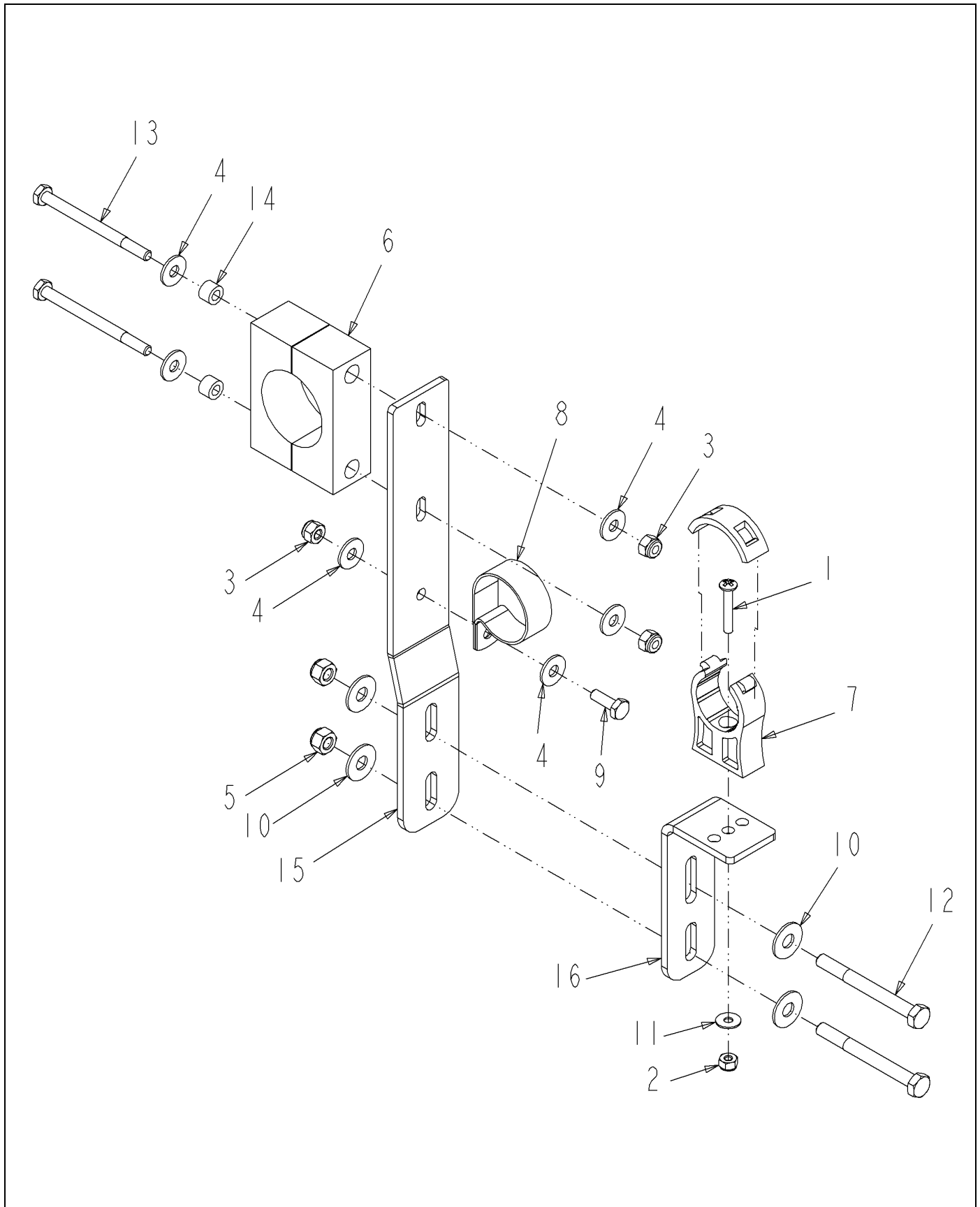
2 INSERTS AND 2 CLAMP MAKE UP 1 PART. BOLT - AG563061, WASHER - AG515121, NUT - AG027275,



509957D1-01-N648-.tif

BRKT ASM-T,PP STAUFF

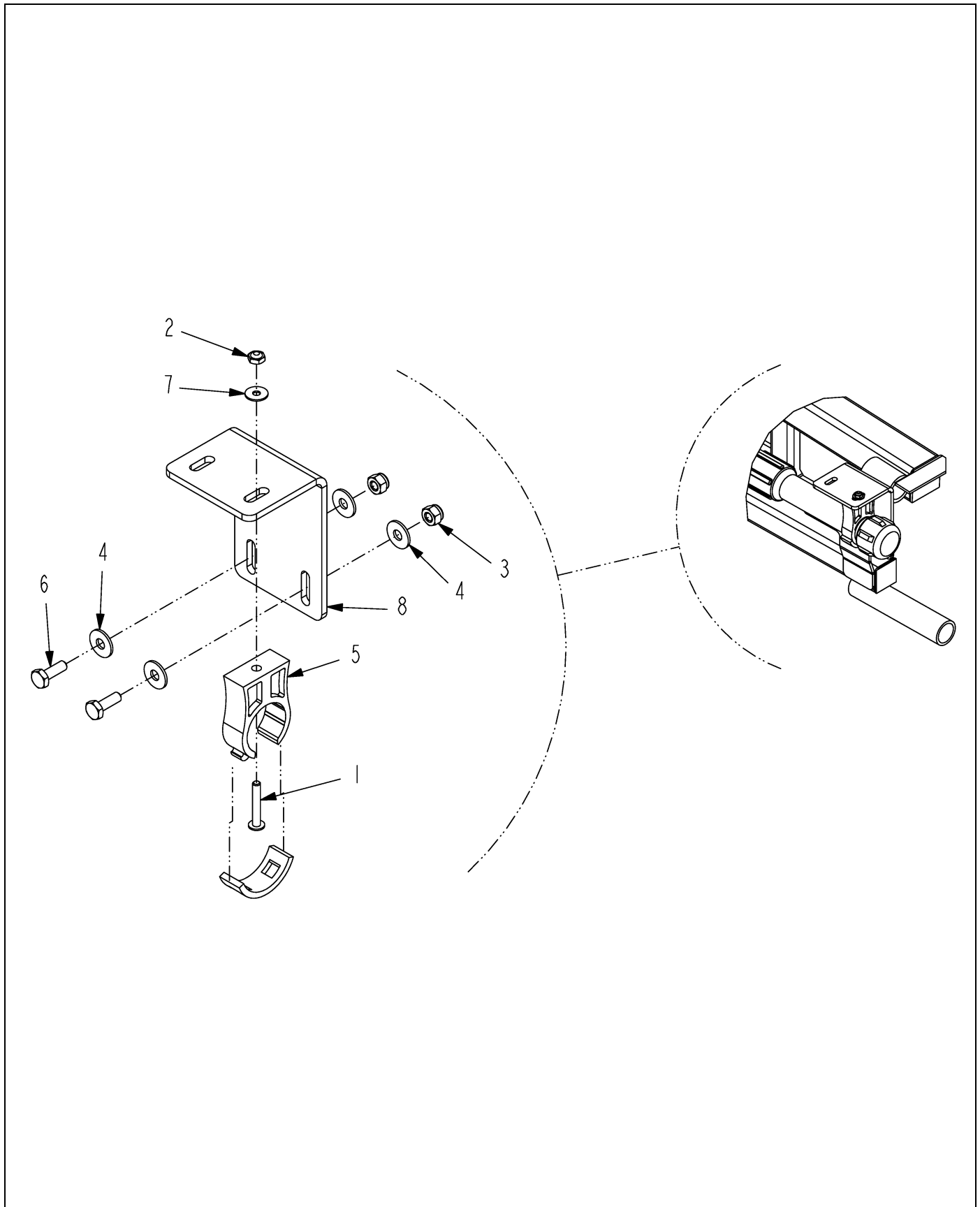
ITEM	PART #	QTY	DESCRIPTION	COMMENTS
1	AG051443	1	CROSS-PIPE,1.50FNPT,PP	
2	AG051534	2	BARB-HOSE,1.50MNPTX1.25BARB,PP	
3	AG051536	2	CAP-PIPE,1.00NPT PP	
4	AG053079	1	REDUCER NIPPLE 1.50 X 1.00	
5	AG055299	1	BARB-ELBOW,90D,1.50X1.25 POLY	
6	AG129187	AR	PIPE SEALANT-FLEX BLACK	
7	AG239937	1	TUBE-POLY,56.44,10IN CTR	
8	AG239938	1	TUBE-POLY,46.44,10IN CTR	
9	AG516405	1	TEE,PIPE,1.00FNPT,PP	



509959D1-02-R506-.TIF

BRKT ASM-L/STR,IPS/1.50 STAUFF

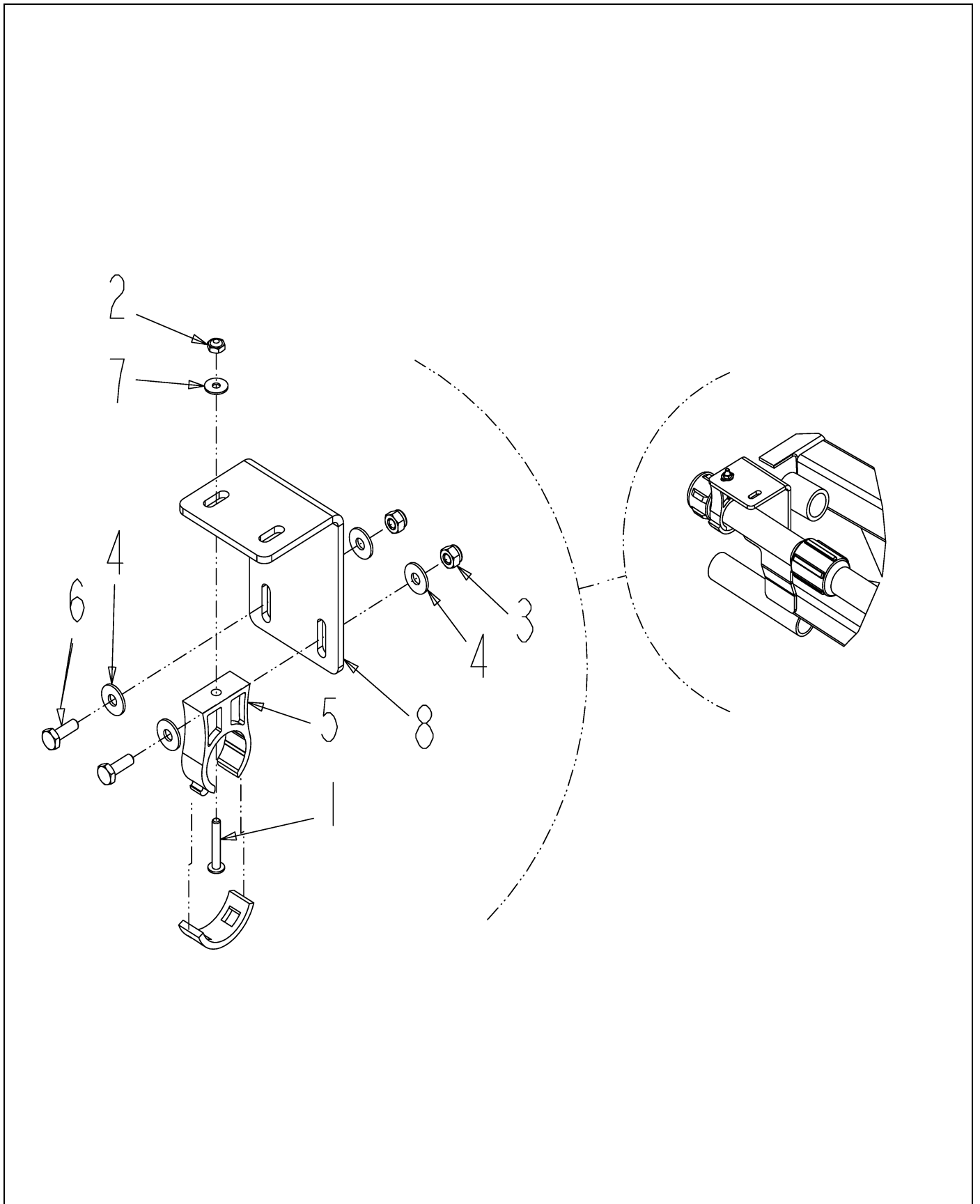
ITEM	PART #	QTY	DESCRIPTION	COMMENTS
1	AG027273	1	SCREW 10-24X 1.25 PHD PHILSS(P	
2	AG027274	1	NUT #10-24NC HEX SS REG NY	
3	AG027275	3	NUT 0.25-20NC HEX SS REG NY	
4	AG515121	6	WASHER 0.25 FL SS REG TYPE-B	
5	AG516403	2	NUT 0.31-18NC HEX SS REG NY	
6	AG519180	1	CLAMP 1.50 BLACK POLY	
7	AG519749	1	CLAMP 1.00 IPS POLY	
8	AG523412	1	CLAMP-1.62 DIA,COATED HOSE	
9	AG562054	1	BOLT 0.25-20NCX 0.75 SS HHD	
10	AG562074	4	WASHER 0.31 FL SS REG TYPE-B	
11	AG562082	1	WASHER #10 FL SS REG TYPE-B	
12	AG562105	2	BOLT 0.31-18NCX 3.00 SS HHD	
13	AG563061	2	BOLT 0.25-20NCX 3.25 SS HHD	
14	AG609777	2	INSERT STAUFF SPACER	
15	509884D1	1	BRKT-Z,STANDOFF,LG,1.50STAUFF	
16	509996D1	1	BRKT-L,LG,STANDOFF,IPS	



509960D1-01-N648-.TIF

BRKT ASM-L,ENDROW,IPS,RH

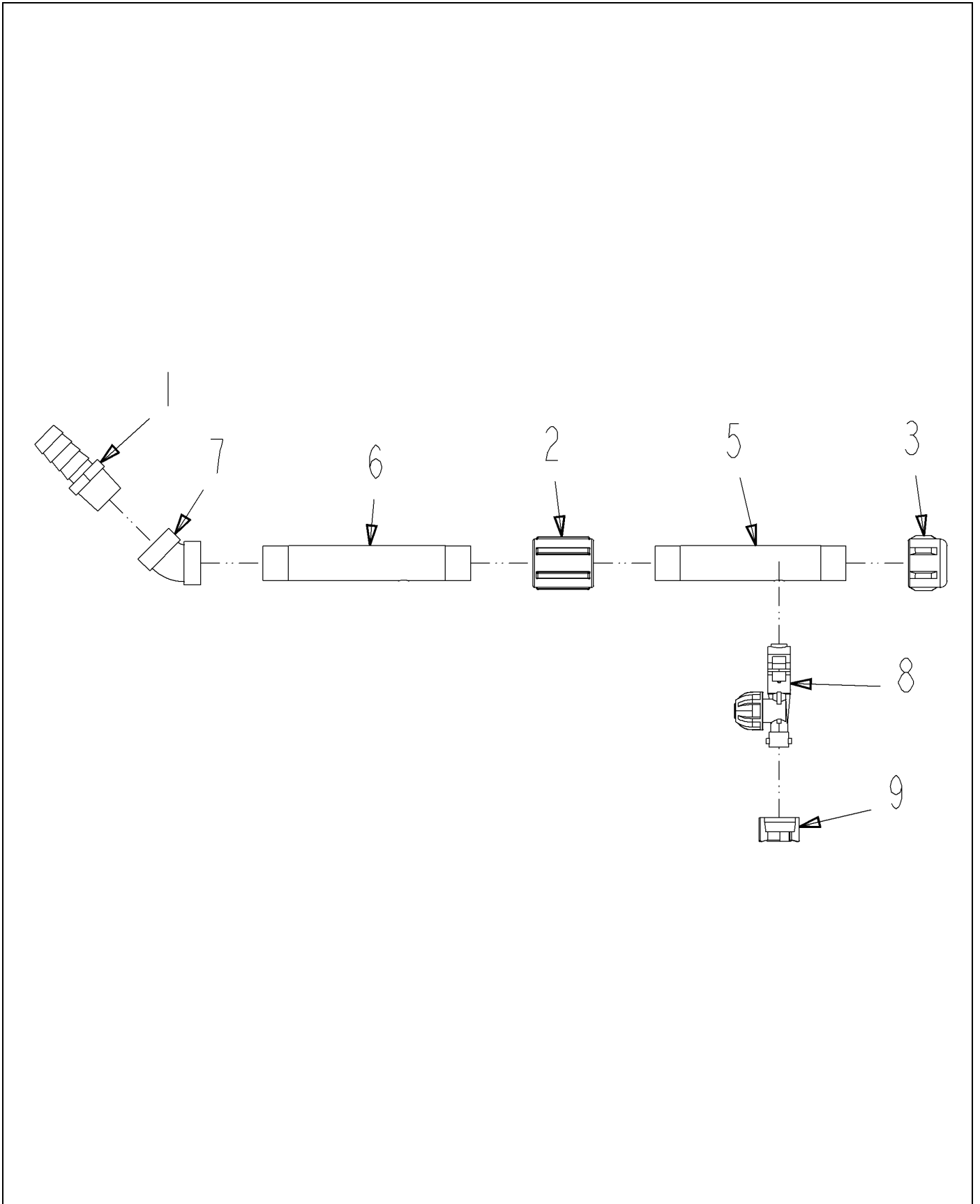
ITEM	PART #	QTY	DESCRIPTION	COMMENTS
1	AG027273	1	SCREW 10-24X 1.25 PHD PHILSS(P	
2	AG027274	1	NUT #10-24NC HEX SS REG NY	
3	AG027275	2	NUT 0.25-20NC HEX SS REG NY	
4	AG515121	4	WASHER 0.25 FL SS REG TYPE-B	
5	AG519749	1	CLAMP 1.00 IPS POLY	
6	AG562054	2	BOLT 0.25-20NCX 0.75 SS HHD	
7	AG562082	1	WASHER #10 FL SS REG TYPE-B	
8	509886D1	1	BRKT-MTG,STANDOFF,ENDROW	



509961D1-01-N648-.TIF

BRKT ASM-L,ENDROW,IPS,LH

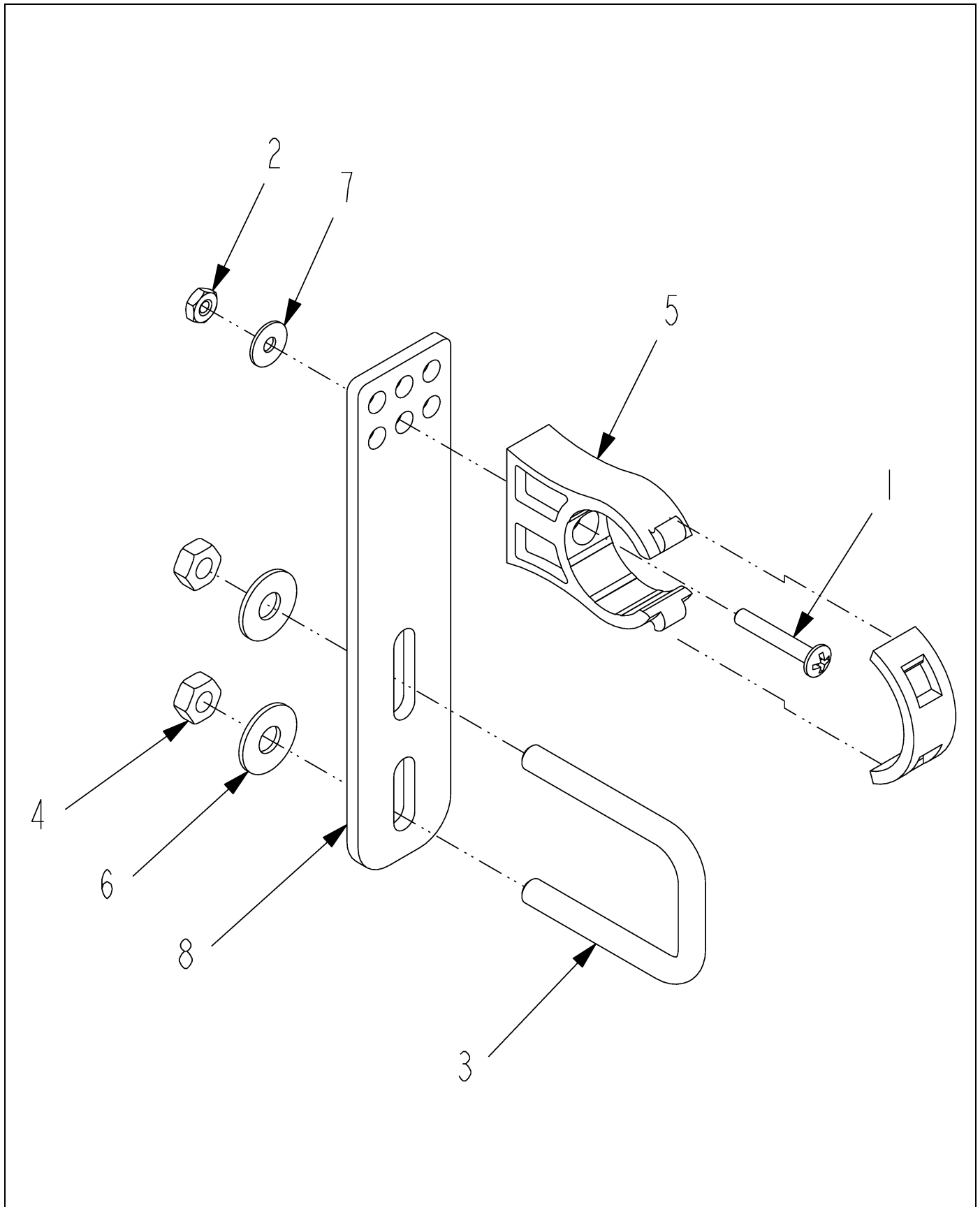
ITEM	PART #	QTY	DESCRIPTION	COMMENTS
1	AG027273	1	SCREW 10-24X 1.25 PHD PHILSS(P	
2	AG027274	1	NUT #10-24NC HEX SS REG NY	
3	AG027275	2	NUT 0.25-20NC HEX SS REG NY	
4	AG515121	4	WASHER 0.25 FL SS REG TYPE-B	
5	AG519749	1	CLAMP 1.00 IPS POLY	
6	AG562054	2	BOLT 0.25-20NCX 0.75 SS HHD	
7	AG562082	1	WASHER #10 FL SS REG TYPE-B	
8	509886D1	1	BRKT-MTG,STANDOFF,ENDROW	



509999D1-01-N648-.TIF

PIPE ASM-45D W/1.00HB,2X8,PP,E

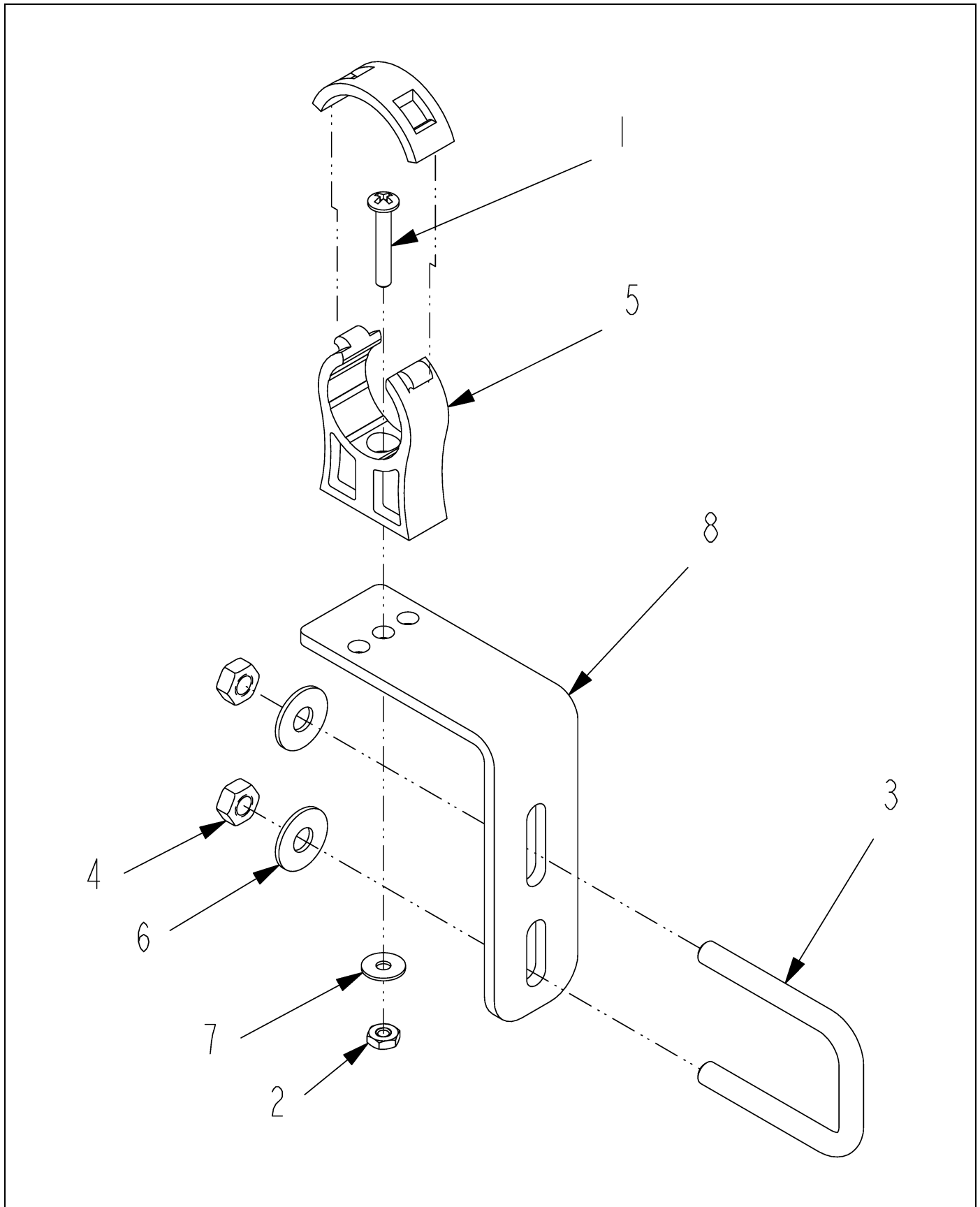
ITEM	PART #	QTY	DESCRIPTION	COMMENTS
1	AG051059	1	BARB-HOSE,1.00MNPTX1.00BARB,PP	
2	AG051131	1	COUPLING-PIPE,1.00NPT,PP	
3	AG051536	1	CAP-PIPE,1.00NPT PP	
4	AG129187	AR	PIPE SEALANT-FLEX BLACK	
5	AG134603	1	TUBE-BOOM,PP,10,7.13	
6	AG239933	1	TUBE-POLY,7.75,10IN CTR	
7	AG519838	1	ELBOW-PIPE,1.00FNPT,45D,PP	
8	511621D1	1	BODY-NOZZLE,SINGLE,1.00	
9	511622D1	1	CAP-SHUTOFF,QUICK FIT,ARAG	



511153D1-01-N648-.TIF

BRKT ASM-Z,PP STAUFF,REV U

ITEM	PART #	QTY	DESCRIPTION	COMMENTS
1	AG027273	1	SCREW 10-24X 1.25 PHD PHILSS(P	
2	AG027274	1	NUT #10-24NC HEX SS REG NY	
3	AG231204	1	BOLT-U .31-18X1.88X2.63	
4	AG516403	2	NUT 0.31-18NC HEX SS REG NY	
5	AG519749	1	CLAMP 1.00 IPS POLY	
6	AG562074	2	WASHER 0.31 FL SS REG TYPE-B	
7	AG562082	1	WASHER #10 FL SS REG TYPE-B	
8	511432D1	1	BRKT-STR,LG STANDOFF	

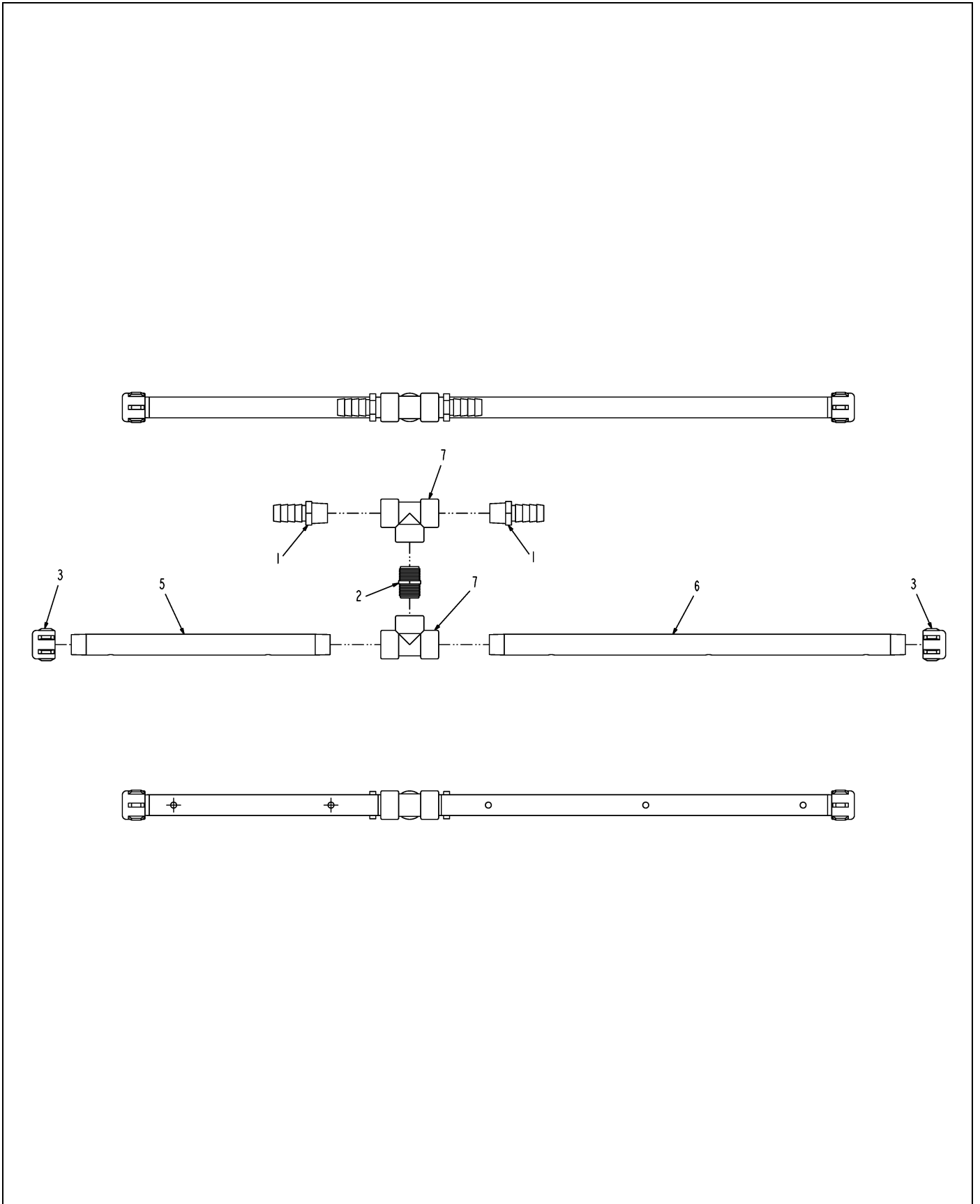


511435D1-01-N648-.TIF

BRKT ASM-L,LG OFFSET,IPS

ITEM	PART #	QTY	DESCRIPTION	COMMENTS
1	AG027273	1	SCREW 10-24X 1.25 PHD PHILSS(P	
2	AG027274	1	NUT #10-24NC HEX SS REG NY	
3	AG231204	1	BOLT-U .31-18X1.88X2.63	
4	AG516403	2	NUT 0.31-18NC HEX SS REG NY	
5	AG519749	1	CLAMP 1.00 IPS POLY	
6	AG562074	2	WASHER 0.31 FL SS REG TYPE-B	
7	AG562082	1	WASHER #10 FL SS REG TYPE-B	
8	511433D1	1	BRKT-L,LG OFFSET,STANDOFF,IPS	

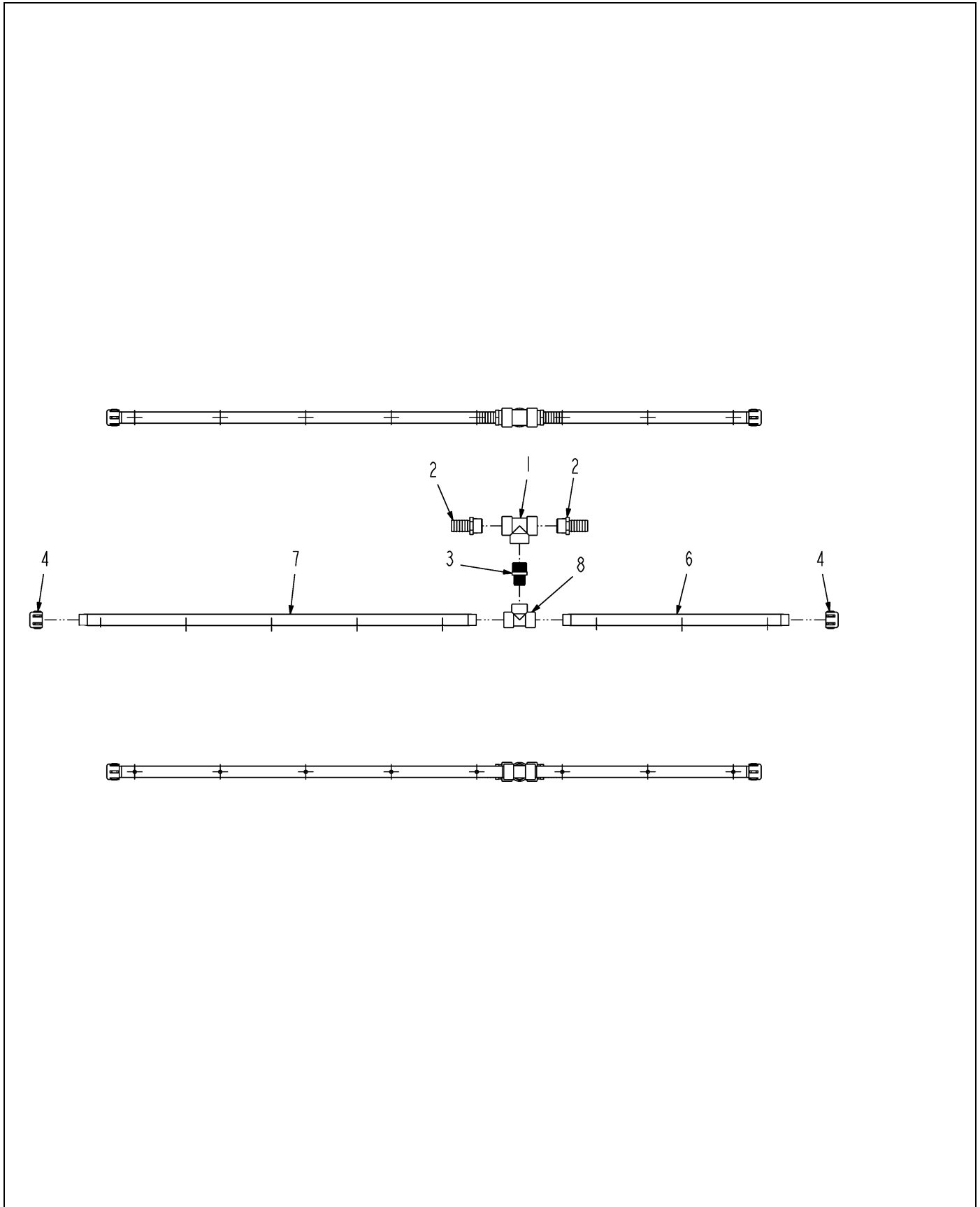
PIPE ASM-T W/2 1.00HB,4X10,PP



511436D1-01-N649-.TIF

PIPE ASM-T W/2 1.00HB,4X10,PP

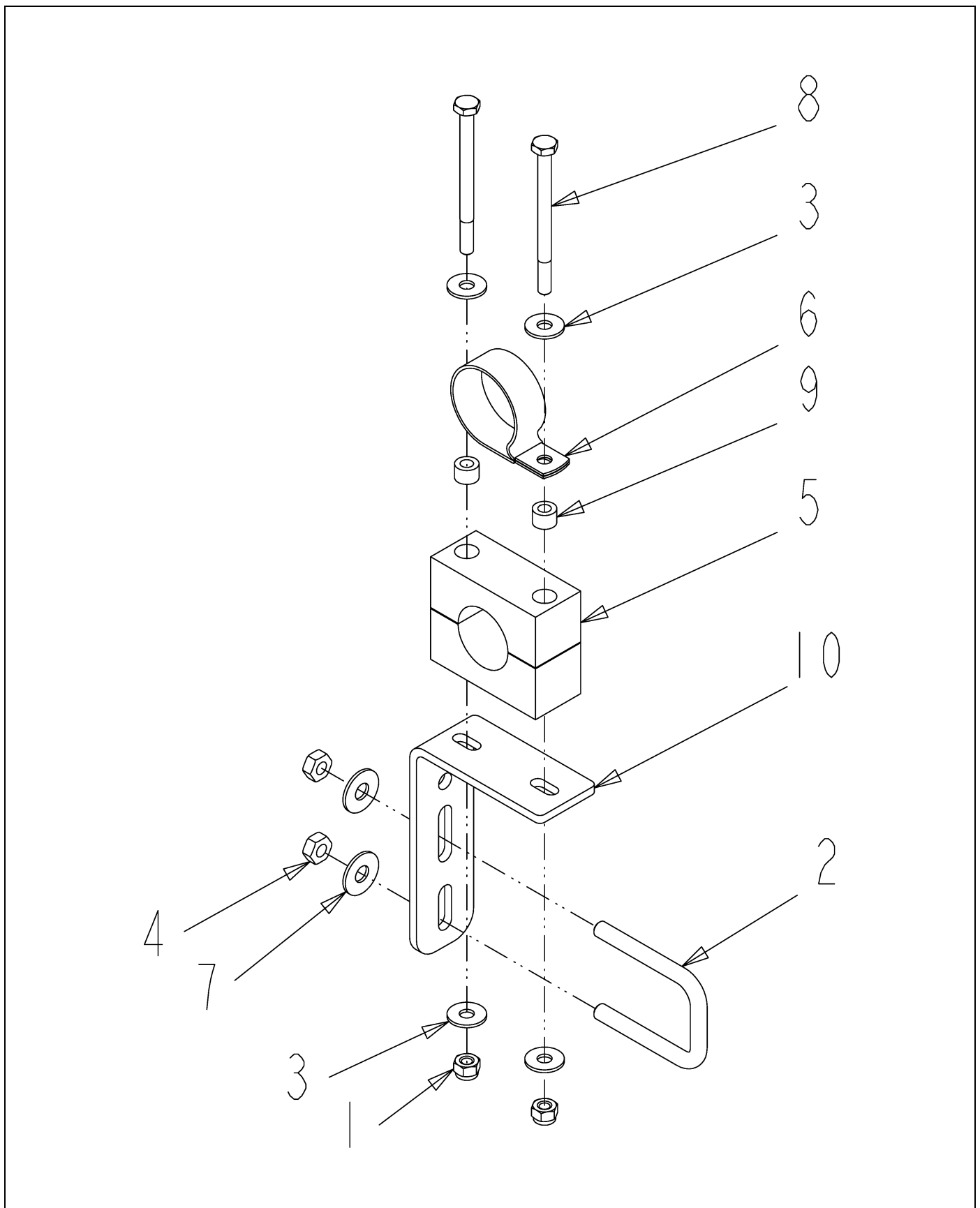
ITEM	PART #	QTY	DESCRIPTION	COMMENTS
1	AG051059	2	BARB-HOSE,1.00MNPTX1.00BARB,PP	
2	AG051153	1	NIPPLE-PIPE,1.00NPTXCLS,PP	
3	AG051536	2	CAP-PIPE,1.00NPT PP	
4	AG129187	AR	PIPE SEALANT-FLEX BLACK	
5	AG239934	1	TUBE-POLY,16.44,10IN CTR	
6	AG239936	1	TUBE-POLY,26.44,10IN CTR	
7	AG516405	2	TEE,PIPE,1.00FNPT,PP	



511437D1-01-N648-.tif

PIPE ASM-T W/2 1.25HB,8X10,PP

ITEM	PART #	QTY	DESCRIPTION	COMMENTS
1	AG051162	1	TEE,PIPE,1.25FNPT,PP	
2	AG051186	2	BARB-HOSE,1.25MNPTX1.25BARB,PP	
3	AG051437	1	NIPPLE RED 1.25NPTX1.00NPT PP	
4	AG051536	2	CAP-PIPE,1.00NPT PP	
5	AG129187	AR	PIPE SEALANT-FLEX BLACK	
6	AG239936	1	TUBE-POLY,26.44,10IN CTR	
7	AG239938	1	TUBE-POLY,46.44,10IN CTR	
8	AG516405	1	TEE,PIPE,1.00FNPT,PP	

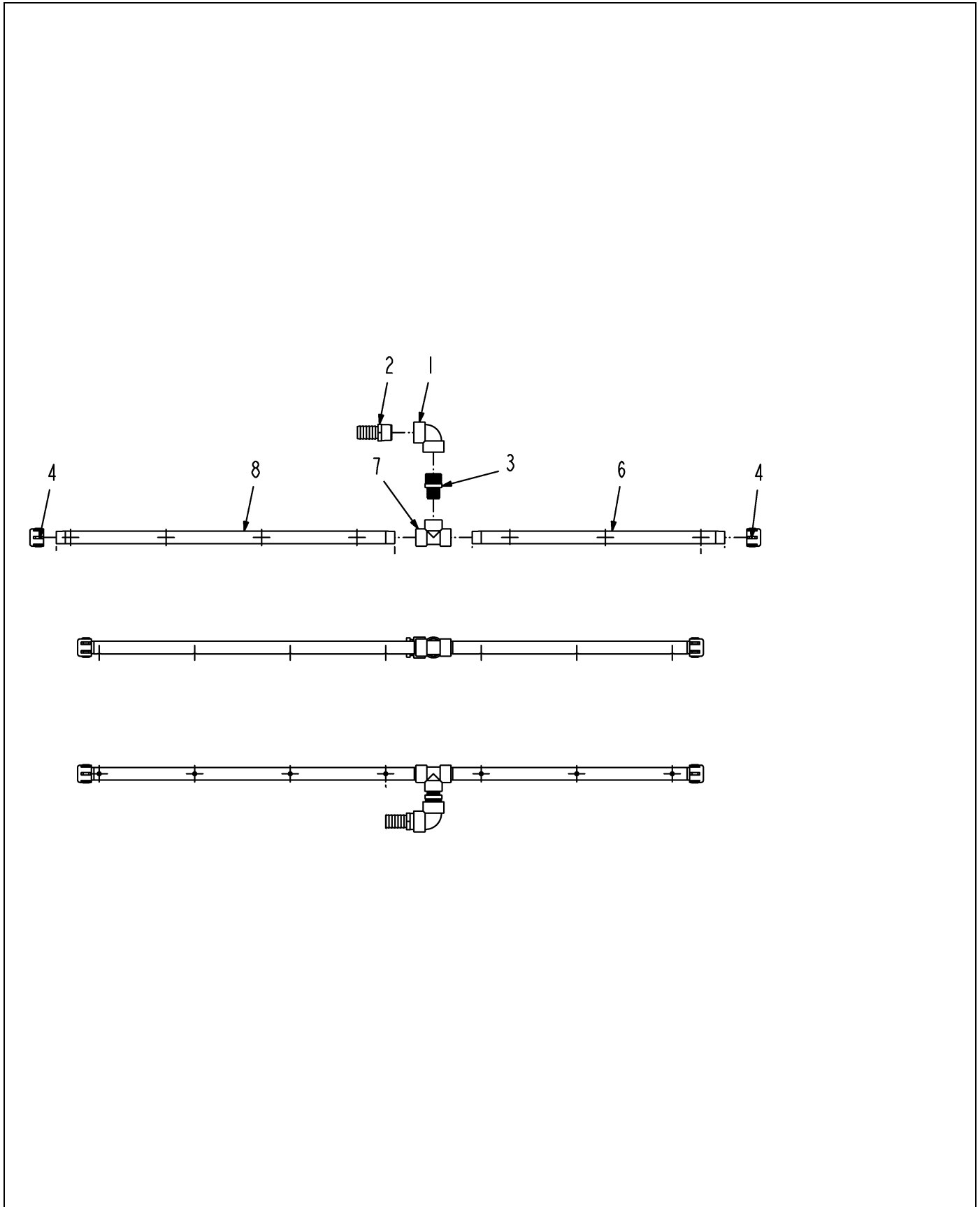


511438D1-01-N649-.TIF

BRKT ASM-L,LG,STAUFF,1.25P CTR

ITEM	PART #	QTY	DESCRIPTION	COMMENTS
1	AG027275	2	NUT 0.25-20NC HEX SS REG NY	
2	AG231204	1	BOLT-U .31-18X1.88X2.63	
3	AG515121	4	WASHER 0.25 FL SS REG TYPE-B	
4	AG516403	2	NUT 0.31-18NC HEX SS REG NY	
5	AG519748	1	CLAMP 1.00 PIPE	[A]
6	AG523412	1	CLAMP-1.62 DIA,COATED HOSE	
7	AG562074	2	WASHER 0.31 FL SS REG TYPE-B	
8	AG563061	2	BOLT 0.25-20NCX 3.25 SS HHD	
9	AG609777	2	INSERT STAUFF SPACER	
10	509885D1	1	BRKT-L,STANDOFF,STAUFF	
	FOOTNOTE [A]		2 INSERTS AND 2 CLAMP MAKE UP 1 PART. BOLT - AG563061, WASHER - AG515121, NUT - AG027275,	

PIPE ASM-90D W/1.25HB,7X10,RH

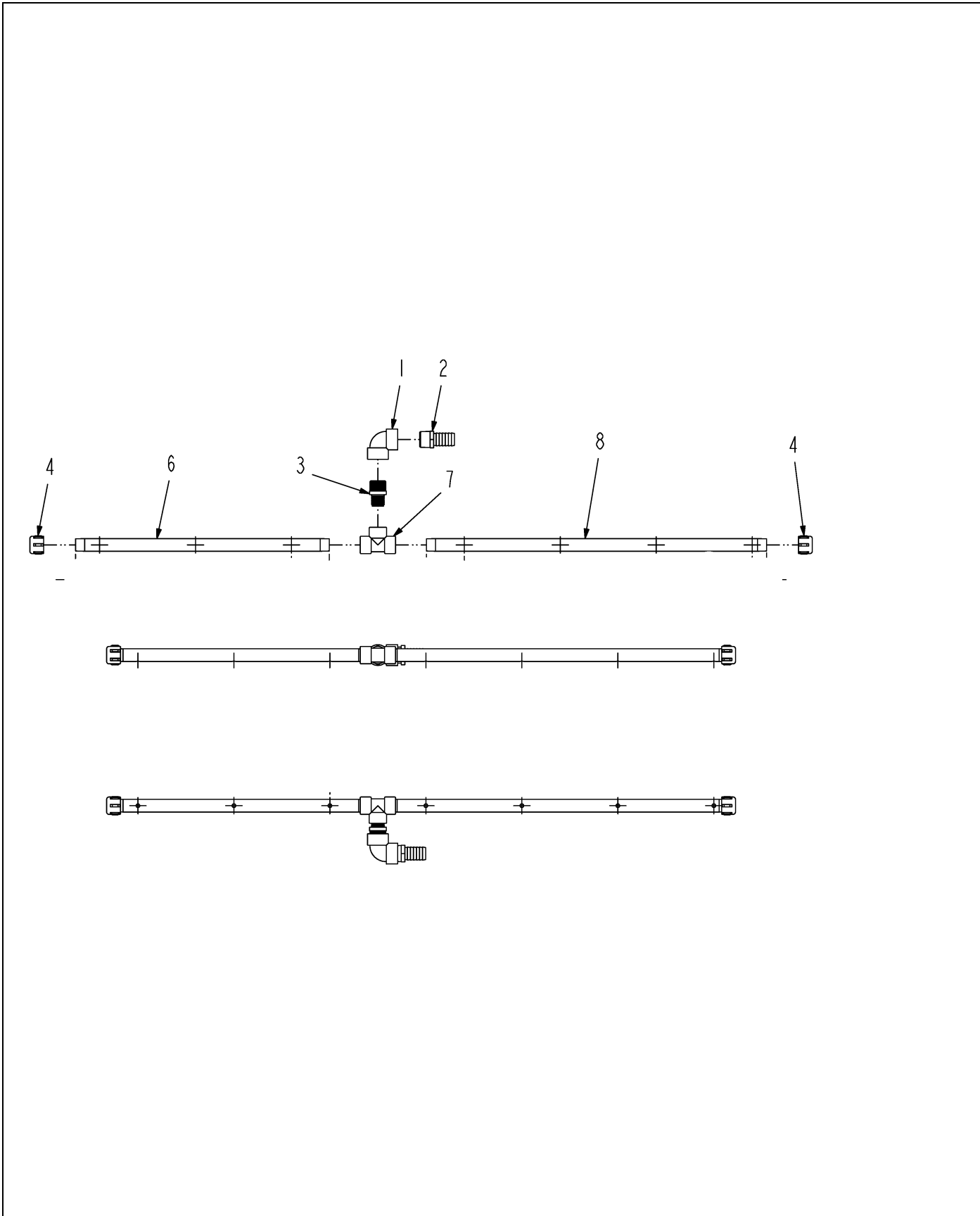


511439D1-01-N648-.tif

PIPE ASM-90D W/1.25HB,7X10,RH

ITEM	PART #	QTY	DESCRIPTION	COMMENTS
1	AG051128	1	ELBOW-PIPE,1.25FNPT,90D,PP	
2	AG051186	1	BARB-HOSE,1.25MNPTX1.25BARB,PP	
3	AG051437	1	NIPPLE RED 1.25NPTX1.00NPT PP	
4	AG051536	2	CAP-PIPE,1.00NPT PP	
5	AG129187	AR	PIPE SEALANT-FLEX BLACK	
6	AG239936	1	TUBE-POLY,26.44,10IN CTR	
7	AG516405	1	TEE,PIPE,1.00FNPT,PP	
8	506805D1	1	TUBE-POLY,35.44,10IN CTR	

PIPE ASM-90D W/1.25HB,7X10,LH

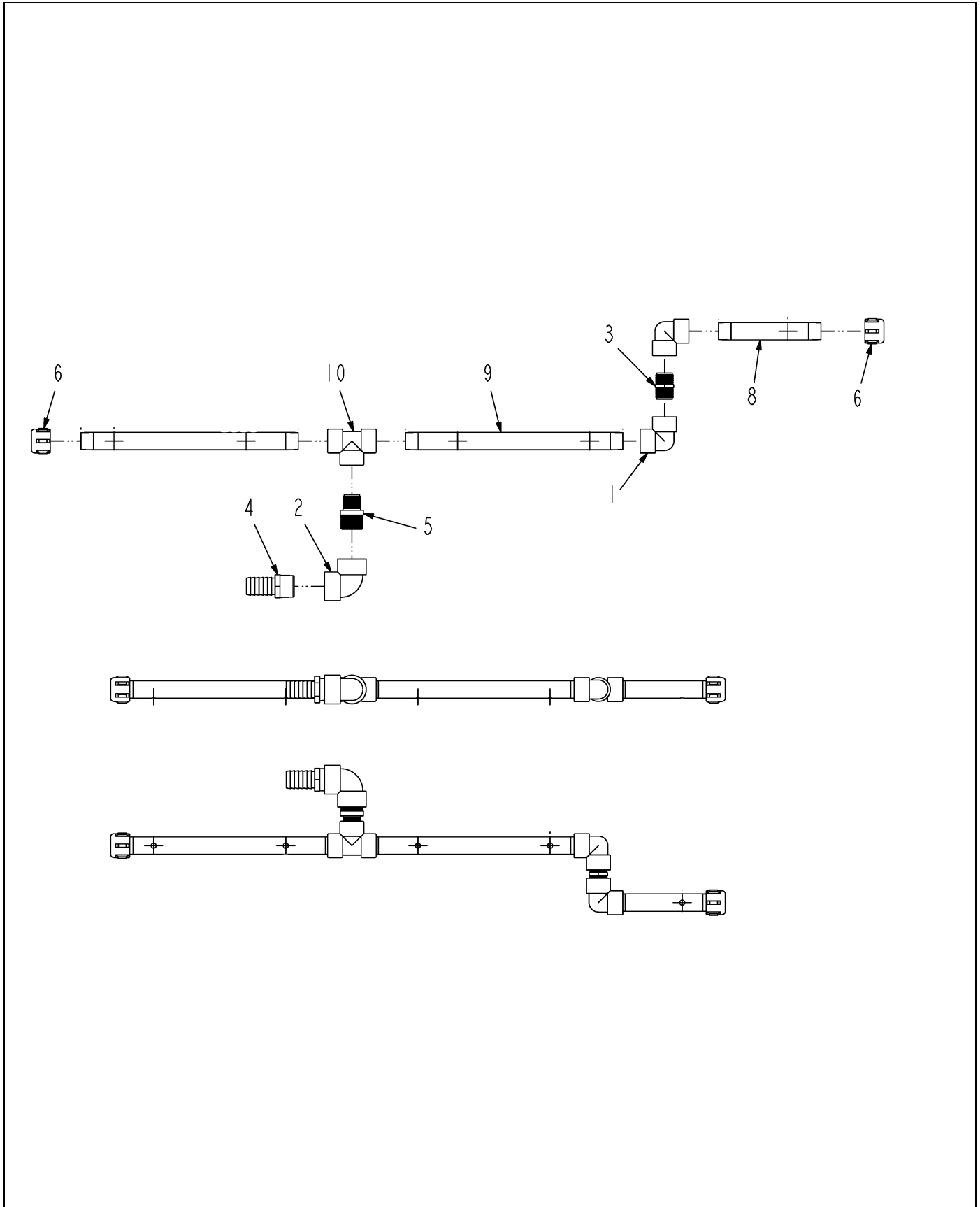


511440D1-01-N648-.tif

PIPE ASM-90D W/1.25HB,7X10,LH

ITEM	PART #	QTY	DESCRIPTION	COMMENTS
1	AG051128	1	ELBOW-PIPE,1.25FNPT,90D,PP	
2	AG051186	1	BARB-HOSE,1.25MNPTX1.25BARB,PP	
3	AG051437	1	NIPPLE RED 1.25NPTX1.00NPT PP	
4	AG051536	2	CAP-PIPE,1.00NPT PP	
5	AG129187	AR	PIPE SEALANT-FLEX BLACK	
6	AG239936	1	TUBE-POLY,26.44,10IN CTR	
7	AG516405	1	TEE,PIPE,1.00FNPT,PP	
8	506805D1	1	TUBE-POLY,35.44,10IN CTR	

PIPE ASM-90D W/1.25HB,5X10,RH

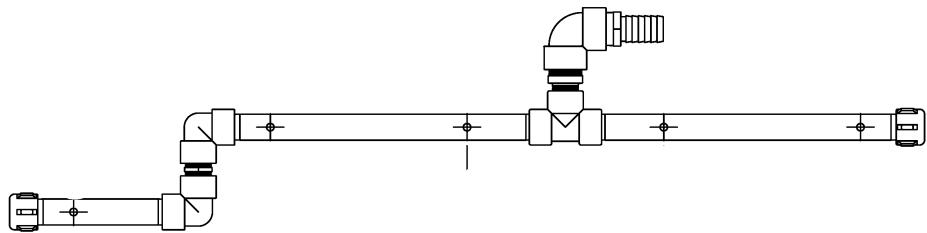
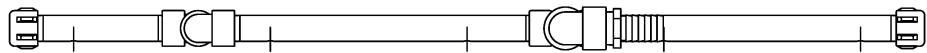
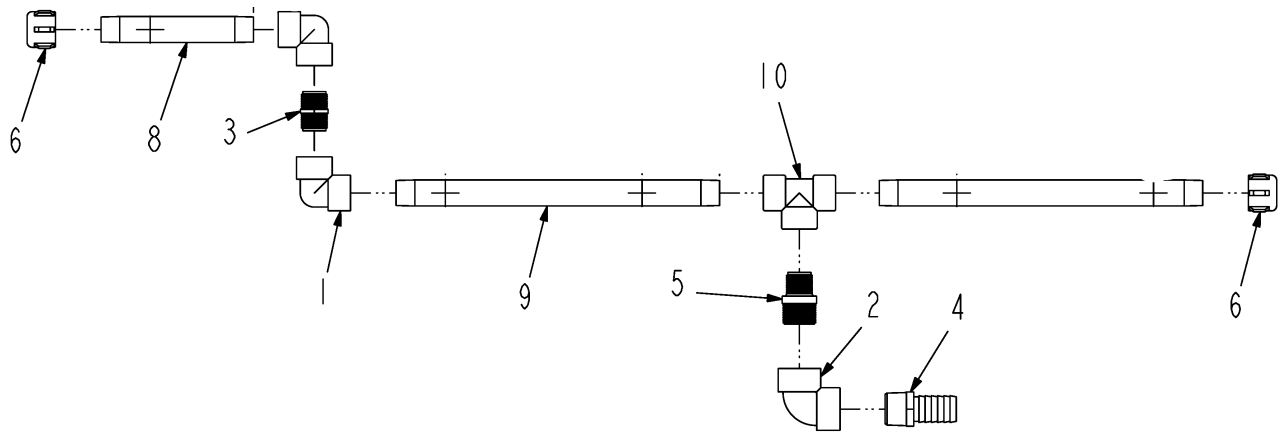


511441D1-01-N648-.tif

PIPE ASM-90D W/1.25HB,5X10,RH

ITEM	PART #	QTY	DESCRIPTION	COMMENTS
1	AG051127	2	ELBOW-PIPE,1.00FNPT,90D,PP	
2	AG051128	1	ELBOW-PIPE,1.25FNPT,90D,PP	
3	AG051153	1	NIPPLE-PIPE,1.00NPTXCLS,PP	
4	AG051186	1	BARB-HOSE,1.25MNPTX1.25BARB,PP	
5	AG051437	1	NIPPLE RED 1.25NPTX1.00NPT PP	
6	AG051536	2	CAP-PIPE,1.00NPT PP	
7	AG129187	AR	PIPE SEALANT-FLEX BLACK	
8	AG239933	1	TUBE-POLY,7.75,10IN CTR	
9	AG239934	2	TUBE-POLY,16.44,10IN CTR	
10	AG516405	1	TEE,PIPE,1.00FNPT,PP	

PIPE ASM-90D W/1.25HB,5X10,LH

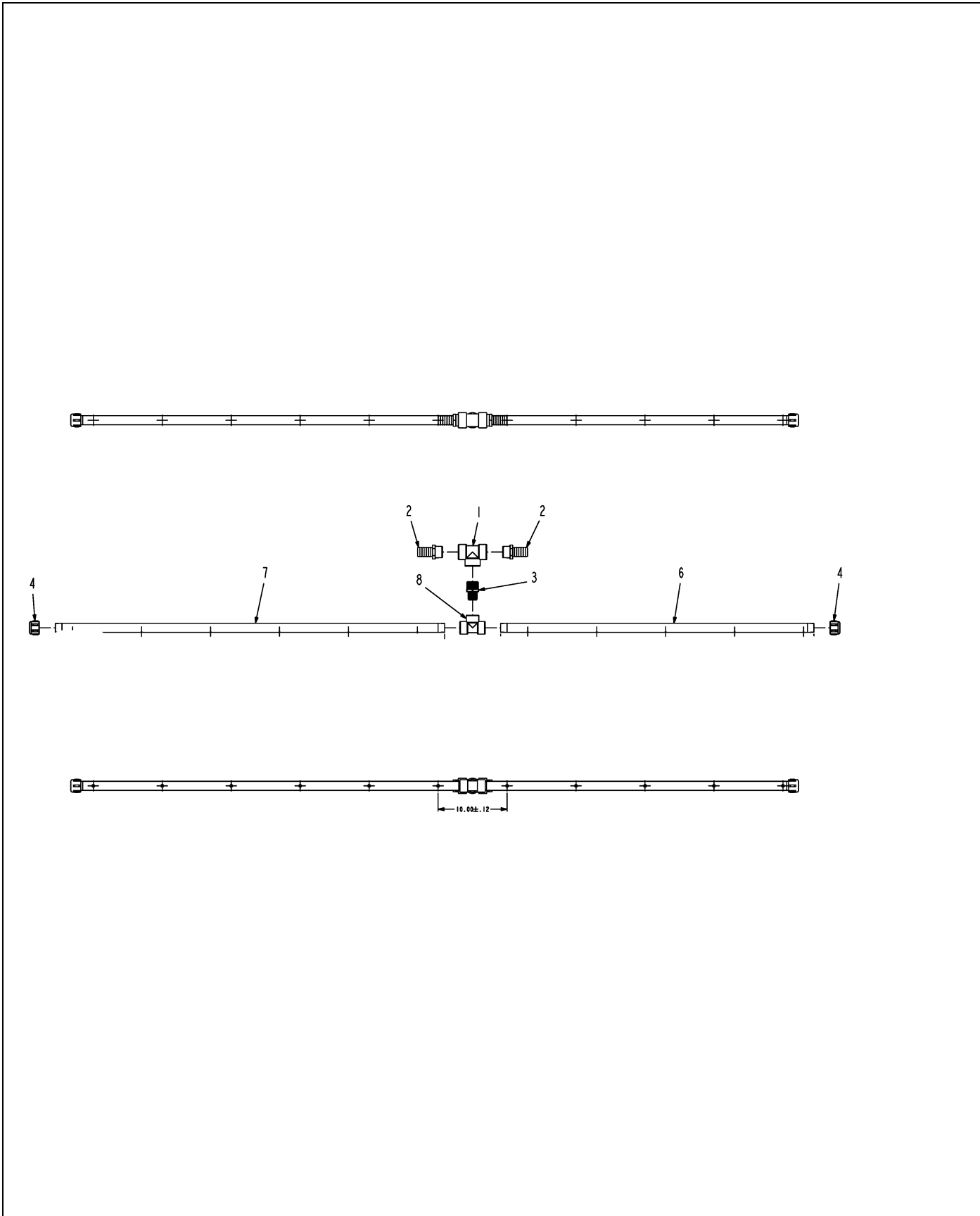


511442D1-01-N648-.tif

PIPE ASM-90D W/1.25HB,5X10,LH

ITEM	PART #	QTY	DESCRIPTION	COMMENTS
1	AG051127	2	ELBOW-PIPE,1.00FNPT,90D,PP	
2	AG051128	1	ELBOW-PIPE,1.25FNPT,90D,PP	
3	AG051153	1	NIPPLE-PIPE,1.00NPTXCLS,PP	
4	AG051186	1	BARB-HOSE,1.25MNPTX1.25BARB,PP	
5	AG051437	1	NIPPLE RED 1.25NPTX1.00NPT PP	
6	AG051536	2	CAP-PIPE,1.00NPT PP	
7	AG129187	AR	PIPE SEALANT-FLEX BLACK	
8	AG239933	1	TUBE-POLY,7.75,10IN CTR	
9	AG239934	2	TUBE-POLY,16.44,10IN CTR	
10	AG516405	1	TEE,PIPE,1.00FNPT,PP	

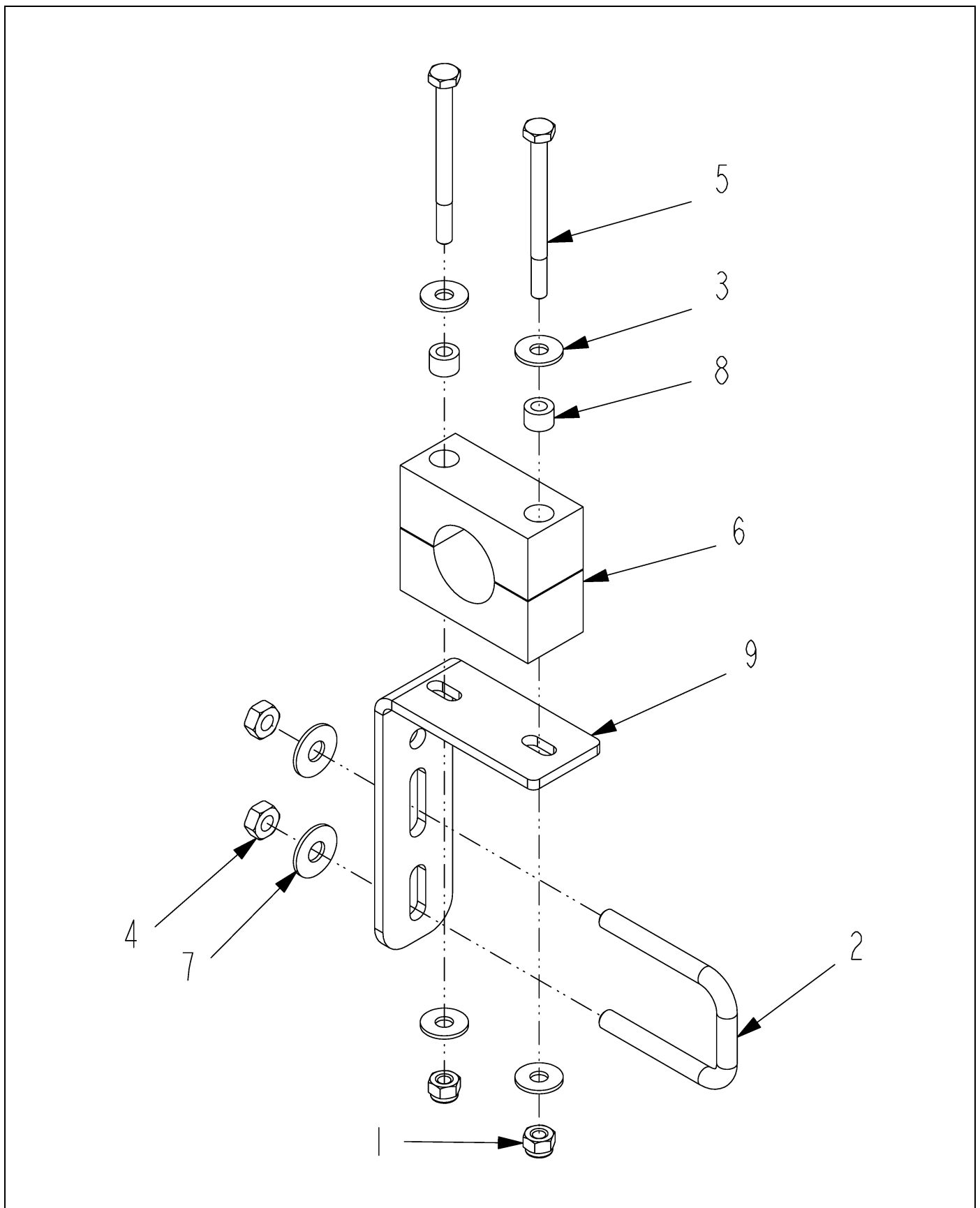
PIPE ASM-T W/2 1.25HB,11X10,PP



511493D1-01-N648-.tif

PIPE ASM-T W/2 1.25HB,11X10,PP

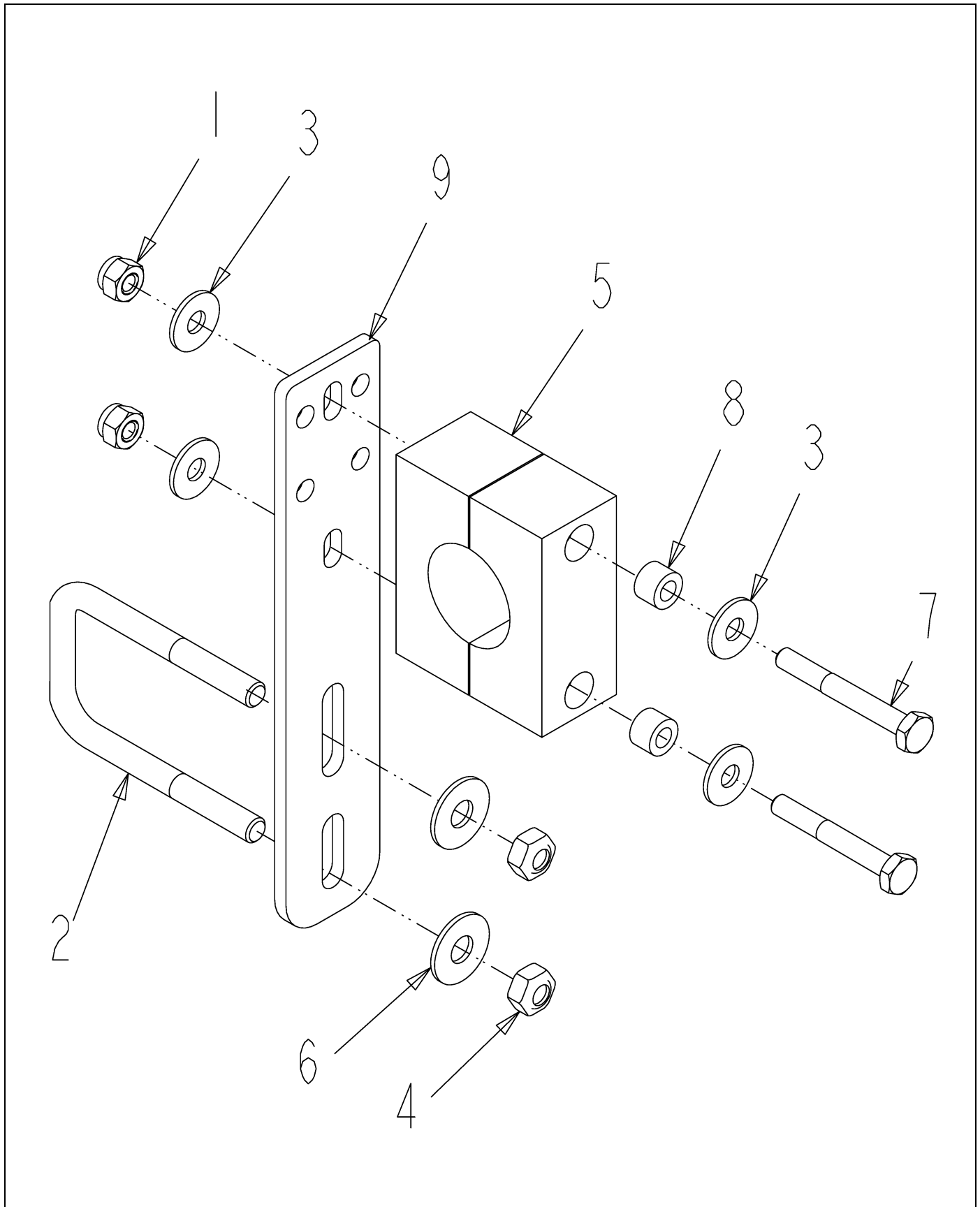
ITEM	PART #	QTY	DESCRIPTION	COMMENTS
1	AG051162	1	TEE,PIPE,1.25FNPT,PP	
2	AG051186	2	BARB-HOSE,1.25MNPTX1.25BARB,PP	
3	AG051437	1	NIPPLE RED 1.25NPTX1.00NPT PP	
4	AG051536	2	CAP-PIPE,1.00NPT PP	
5	AG129187	AR	PIPE SEALANT-FLEX BLACK	
6	AG239930	1	TUBE-POLY,45.44,10IN CTR	
7	AG239937	1	TUBE-POLY,56.44,10IN CTR	
8	AG516405	1	TEE,PIPE,1.00FNPT,PP	



511497D1-01-N648-.TIF

BRKT ASM-L,LG,STAUFF,REV U

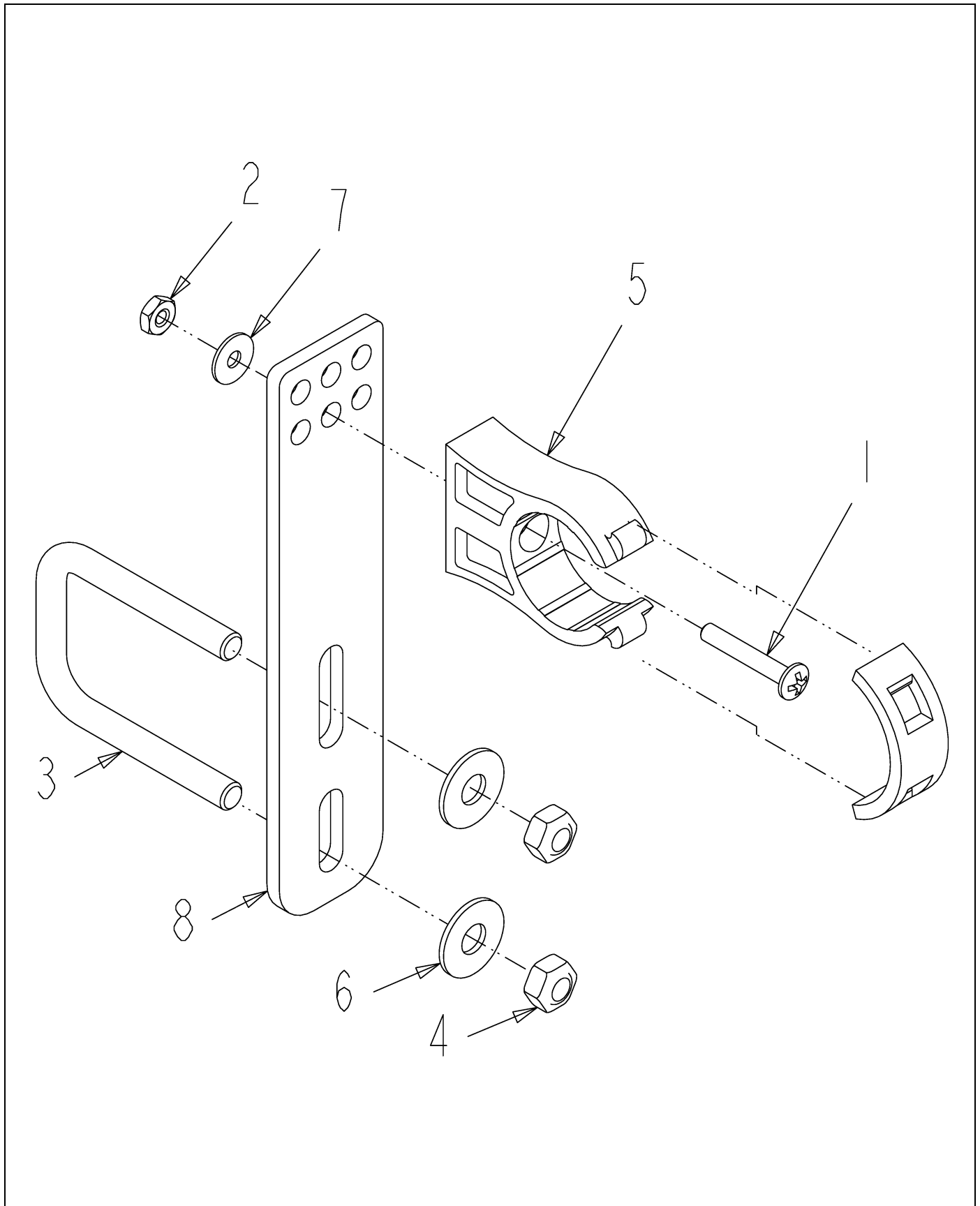
ITEM	PART #	QTY	DESCRIPTION	COMMENTS
1	AG027275	2	NUT 0.25-20NC HEX SS REG NY	
2	AG231204	1	BOLT-U .31-18X1.88X2.63	
3	AG515121	4	WASHER 0.25 FL SS REG TYPE-B	
4	AG516403	2	NUT 0.31-18NC HEX SS REG NY	
5	AG518492	2	BOLT 0.25-20NCX 3.00 SS HHD	
6	AG519748	1	CLAMP 1.00 PIPE	[A]
7	AG562074	2	WASHER 0.31 FL SS REG TYPE-B	
8	AG609777	2	INSERT STAUFF SPACER	
9	509885D1	1	BRKT-L,STANDOFF,STAUFF	
	FOOTNOTE [A]		2 INSERTS AND 2 CLAMP MAKE UP 1 PART. BOLT - AG563061, WASHER - AG515121, NUT - AG027275,	



511689D1-01-N648-.TIF

BRKT ASM-STR,XLG,STAUFF,LG U

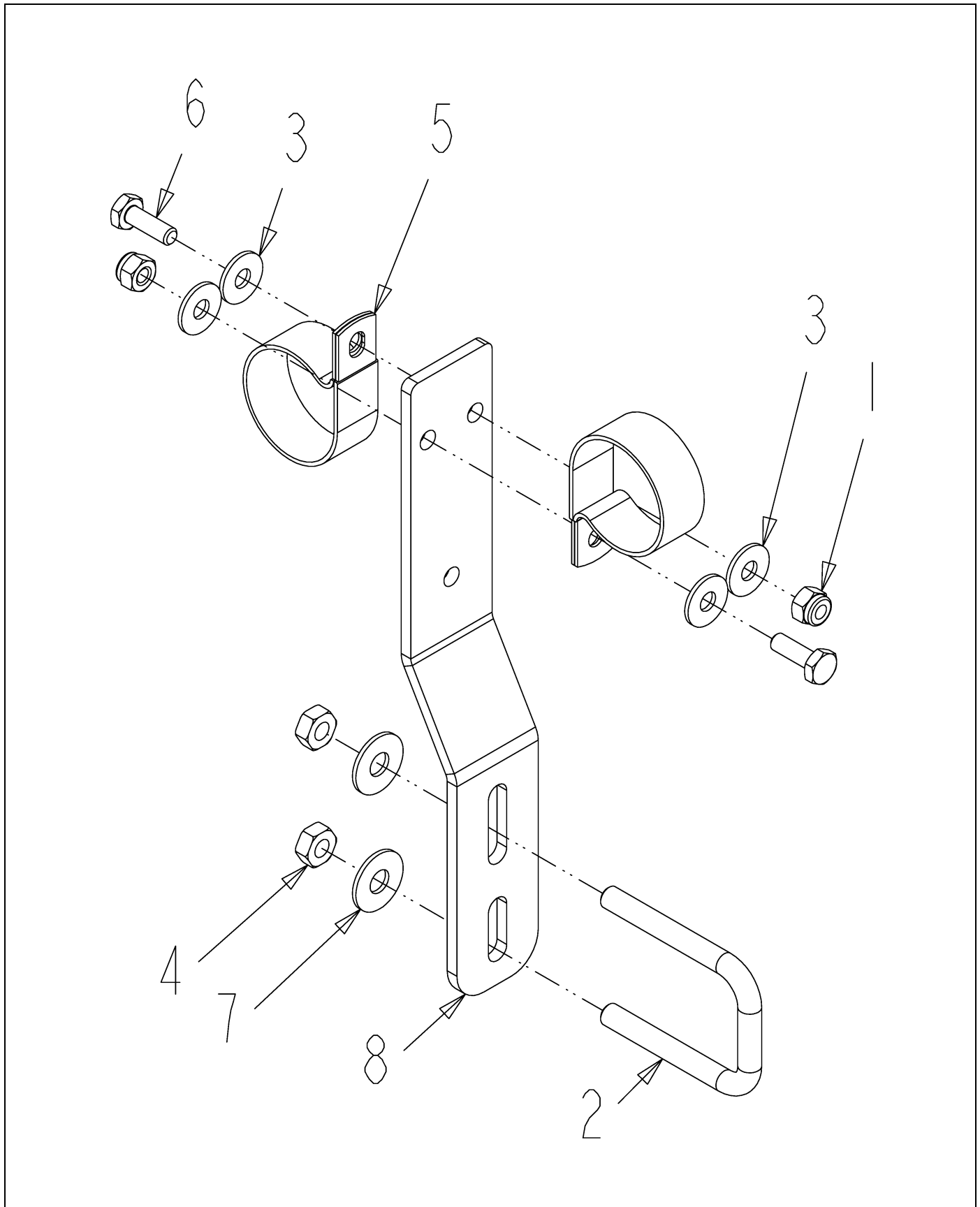
ITEM	PART #	QTY	DESCRIPTION	COMMENTS
1	AG027275	2	NUT 0.25-20NC HEX SS REG NY	
2	AG261322	1	BOLT-U .31-18X1.56X 2.97SQ,SS	
3	AG515121	4	WASHER 0.25 FL SS REG TYPE-B	
4	AG516403	2	NUT 0.31-18NC HEX SS REG NY	
5	AG519748	1	CLAMP 1.00 PIPE	[A]
6	AG562074	2	WASHER 0.31 FL SS REG TYPE-B	
7	AG563061	2	BOLT 0.25-20NCX 3.25 SS HHD	
8	AG609777	2	INSERT STAUFF SPACER	
9	511687D1	1	BRKT-STR,XLG,STANDOFF	
	FOOTNOTE [A]		2 INSERTS AND 2 CLAMP MAKE UP 1 PART. BOLT - AG563061, WASHER - AG515121, NUT - AG027275,	



511765D1-01-N648-.TIF

BRKT ASM-STR,LG,1.00IPS,STD U

ITEM	PART #	QTY	DESCRIPTION	COMMENTS
1	AG027273	1	SCREW 10-24X 1.25 PHD PHILSS(P	
2	AG027274	1	NUT #10-24NC HEX SS REG NY	
3	AG231204	1	BOLT-U .31-18X1.88X2.63	
4	AG516403	2	NUT 0.31-18NC HEX SS REG NY	
5	AG519749	1	CLAMP 1.00 IPS POLY	
6	AG562074	2	WASHER 0.31 FL SS REG TYPE-B	
7	AG562082	1	WASHER #10 FL SS REG TYPE-B	
8	511432D1	1	BRKT-STR,LG STANDOFF	

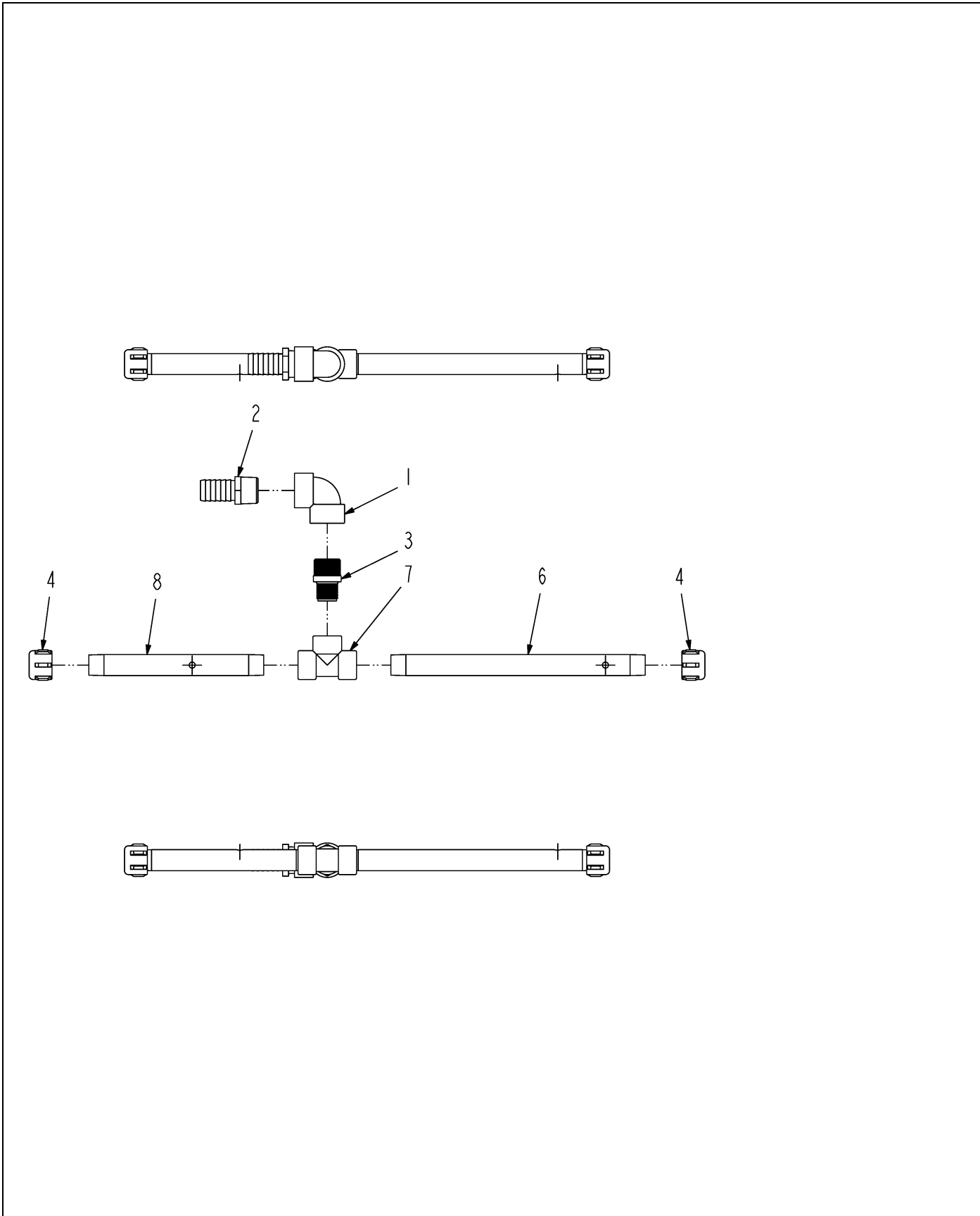


509891D1-01-N649-.TIF

BRKT ASM-Z,LG,UPR IPS/PCLP

ITEM	PART #	QTY	DESCRIPTION	COMMENTS
1	AG027275	2	NUT 0.25-20NC HEX SS REG NY	
2	AG231204	1	BOLT-U .31-18X1.88X2.63	
3	AG515121	4	WASHER 0.25 FL SS REG TYPE-B	
4	AG516403	2	NUT 0.31-18NC HEX SS REG NY	
5	AG523412	2	CLAMP-1.62 DIA,COATED HOSE	
6	AG562054	2	BOLT 0.25-20NCX 0.75 SS HHD	
7	AG562074	2	WASHER 0.31 FL SS REG TYPE-B	
8	509882D1	1	BRKT-Z,STANDOFF,LG	

PIPE ASM-90D W/1.25HB,2X20,RH

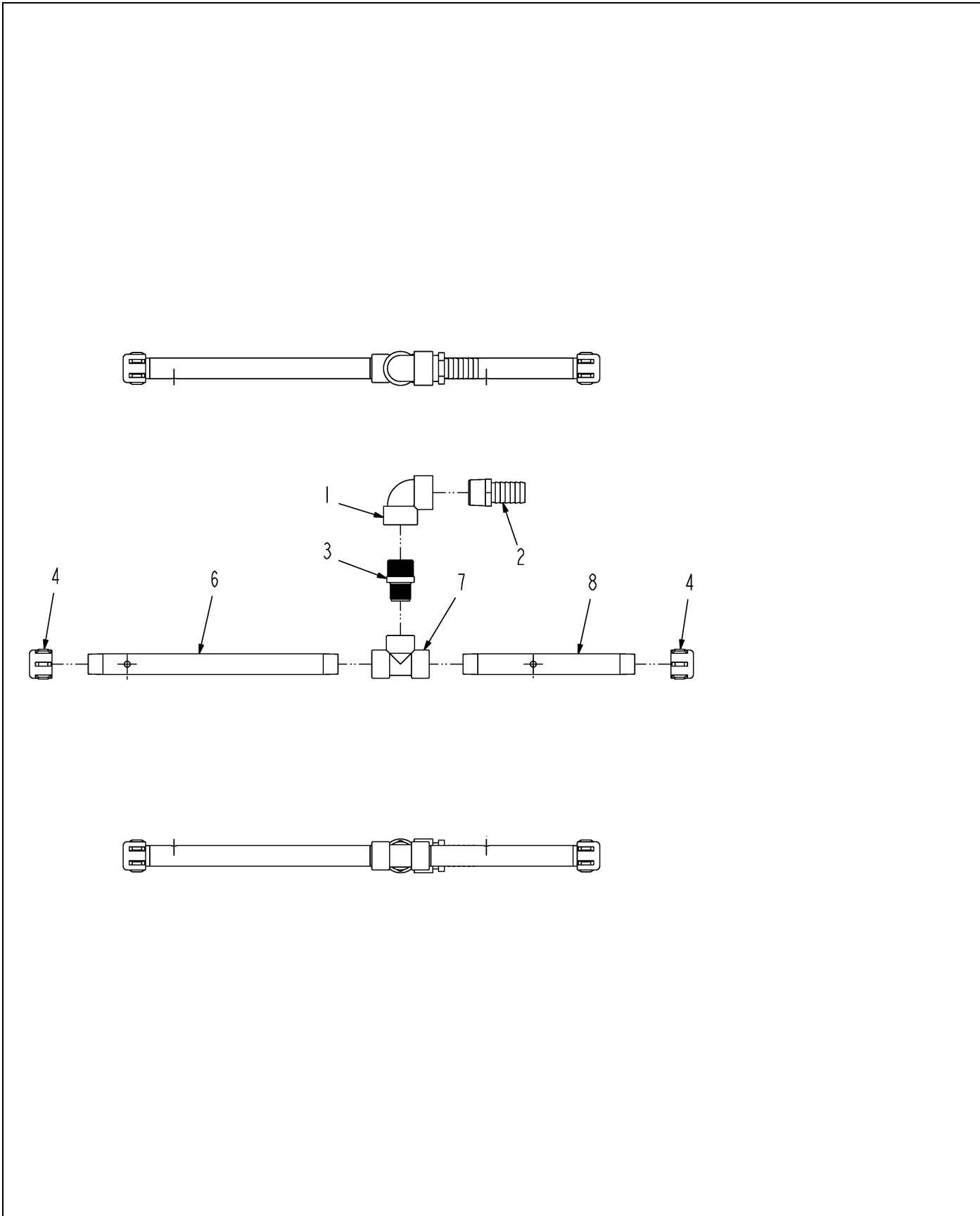


511036D1-01-N648-.tif

PIPE ASM-90D W/1.25HB,2X20,RH

ITEM	PART #	QTY	DESCRIPTION	COMMENTS
1	AG051128	1	ELBOW-PIPE,1.25FNPT,90D,PP	
2	AG051186	1	BARB-HOSE,1.25MNPTX1.25BARB,PP	
3	AG051437	1	NIPPLE RED 1.25NPTX1.00NPT PP	
4	AG051536	2	CAP-PIPE,1.00NPT PP	
5	AG129187	AR	PIPE SEALANT-FLEX BLACK	
6	AG239998	1	TUBE-16.00,INNER BOOM	
7	AG516405	1	TEE,PIPE,1.00FNPT,PP	
8	511043D1	1	TUBE-BOOM,20,11.00,PP	

PIPE ASM-90D W/1.25HB,2X20,LH

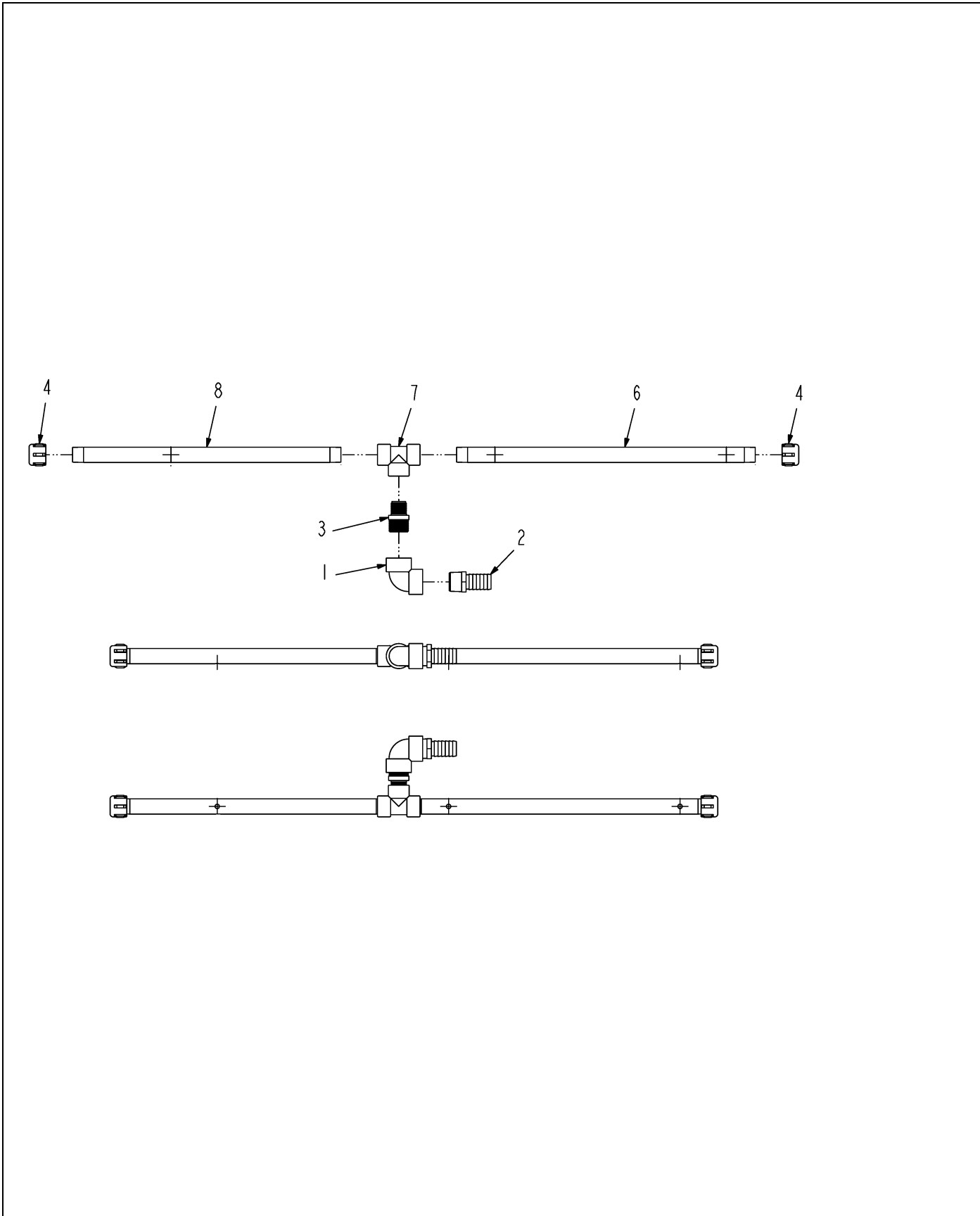


511037D1-01-N648-.tif

PIPE ASM-90D W/1.25HB,2X20,LH

ITEM	PART #	QTY	DESCRIPTION	COMMENTS
1	AG051128	1	ELBOW-PIPE,1.25FNPT,90D,PP	
2	AG051186	1	BARB-HOSE,1.25MNPTX1.25BARB,PP	
3	AG051437	1	NIPPLE RED 1.25NPTX1.00NPT PP	
4	AG051536	2	CAP-PIPE,1.00NPT PP	
5	AG129187	AR	PIPE SEALANT-FLEX BLACK	
6	AG239998	1	TUBE-16.00,INNER BOOM	
7	AG516405	1	TEE,PIPE,1.00FNPT,PP	
8	511043D1	1	TUBE-BOOM,20,11.00,PP	

PIPE ASM-90D W/1.25HB,3X20,RH

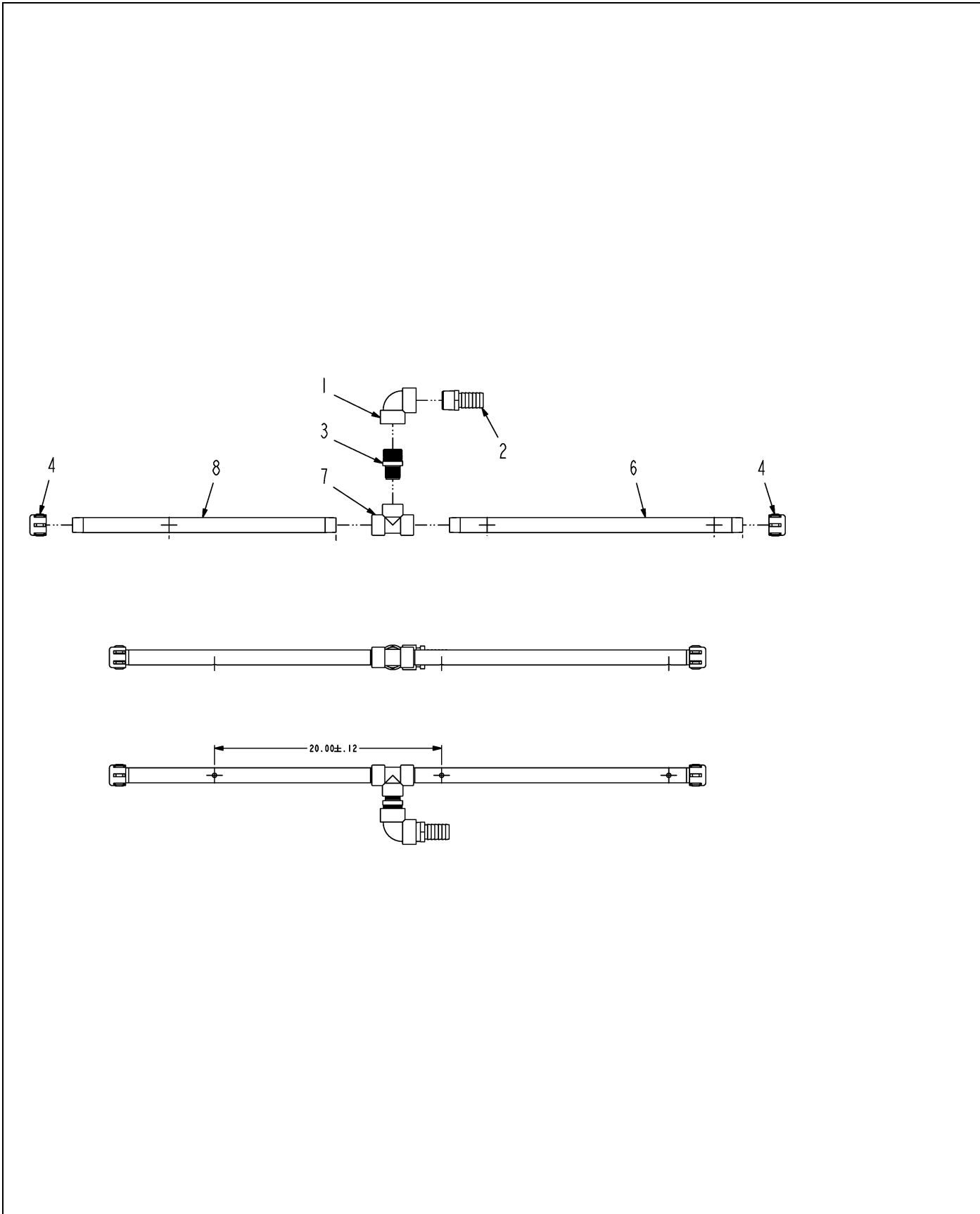


511038D1-01-N648-.tif

PIPE ASM-90D W/1.25HB,3X20,RH

ITEM	PART #	QTY	DESCRIPTION	COMMENTS
1	AG051128	1	ELBOW-PIPE,1.25FNPT,90D,PP	
2	AG051186	1	BARB-HOSE,1.25MNPTX1.25BARB,PP	
3	AG051437	1	NIPPLE RED 1.25NPTX1.00NPT PP	
4	AG051536	2	CAP-PIPE,1.00NPT PP	
5	AG129187	AR	PIPE SEALANT-FLEX BLACK	
6	AG239723	1	TUBE-25.81,POLY	
7	AG516405	1	TEE,PIPE,1.00FNPT,PP	
8	512555D1	1	TUBE-BOOM,20,23.19,PP	

PIPE ASM-90D W/1.25HB,3X20,LH

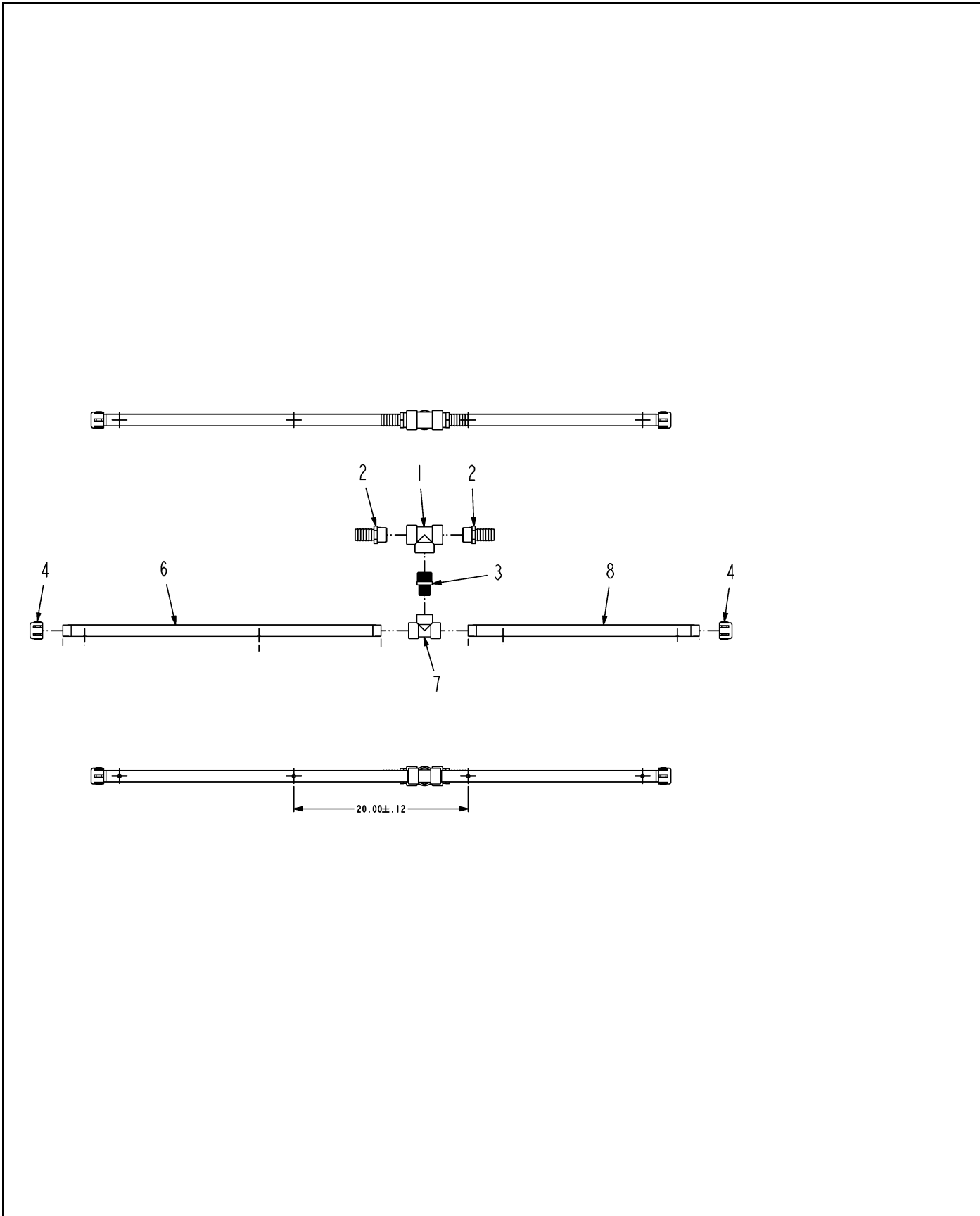


511039D1-01-N648-.tif

PIPE ASM-90D W/1.25HB,3X20,LH

ITEM	PART #	QTY	DESCRIPTION	COMMENTS
1	AG051128	1	ELBOW-PIPE,1.25FNPT,90D,PP	
2	AG051186	1	BARB-HOSE,1.25MNPTX1.25BARB,PP	
3	AG051437	1	NIPPLE RED 1.25NPTX1.00NPT PP	
4	AG051536	2	CAP-PIPE,1.00NPT PP	
5	AG129187	AR	PIPE SEALANT-FLEX BLACK	
6	AG239723	1	TUBE-25.81,POLY	
7	AG516405	1	TEE,PIPE,1.00FNPT,PP	
8	512555D1	1	TUBE-BOOM,20,23.19,PP	

PIPE ASM-T W/2 1.00HB,4X20,PP

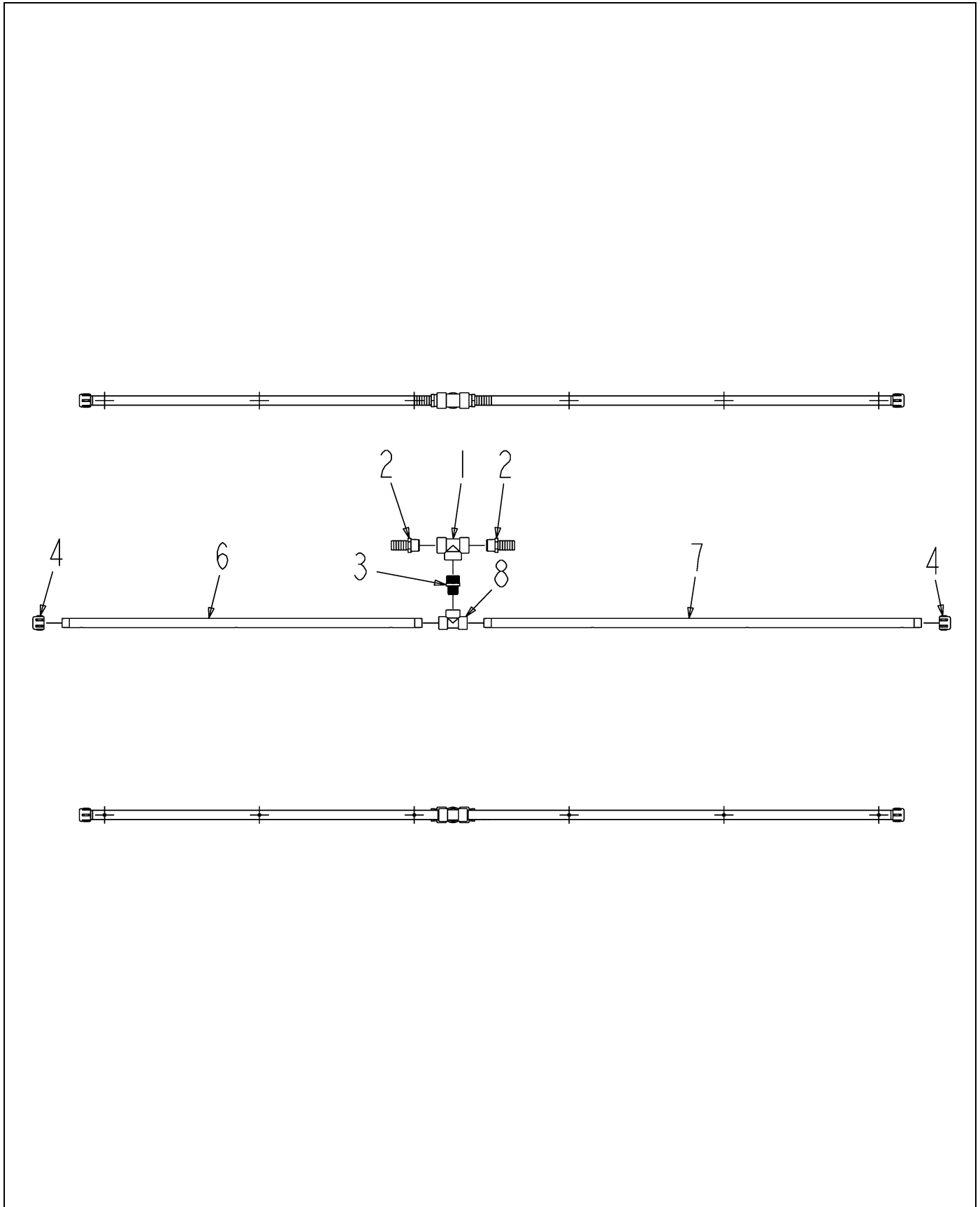


511040D1-01-N648-.tif

PIPE ASM-T W/2 1.00HB,4X20,PP

ITEM	PART #	QTY	DESCRIPTION	COMMENTS
1	AG051162	1	TEE,PIPE,1.25FNPT,PP	
2	AG051186	2	BARB-HOSE,1.25MNPTX1.25BARB,PP	
3	AG051437	1	NIPPLE RED 1.25NPTX1.00NPT PP	
4	AG051536	2	CAP-PIPE,1.00NPT PP	
5	AG129187	AR	PIPE SEALANT-FLEX BLACK	
6	AG239797	1	TUBE-BOOM,36.50	
7	AG516405	1	TEE,PIPE,1.00FNPT,PP	
8	511044D1	1	TUBE-BOOM,20,26,50,PP	

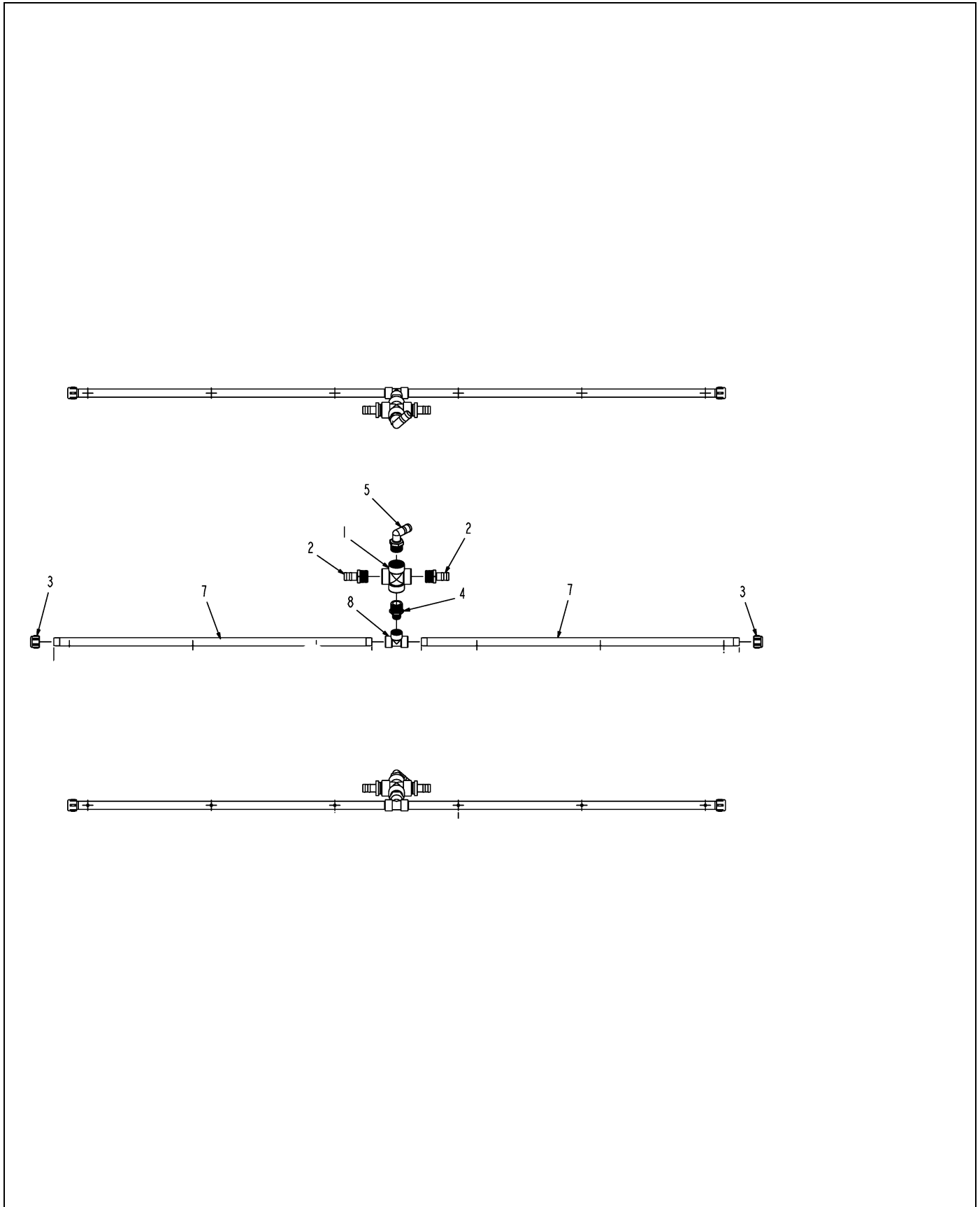
PIPE ASM-T W/2 1.00HB,6X20,PP



511041D1-01-N648-.TIF

PIPE ASM-T W/2 1.00HB,6X20,PP

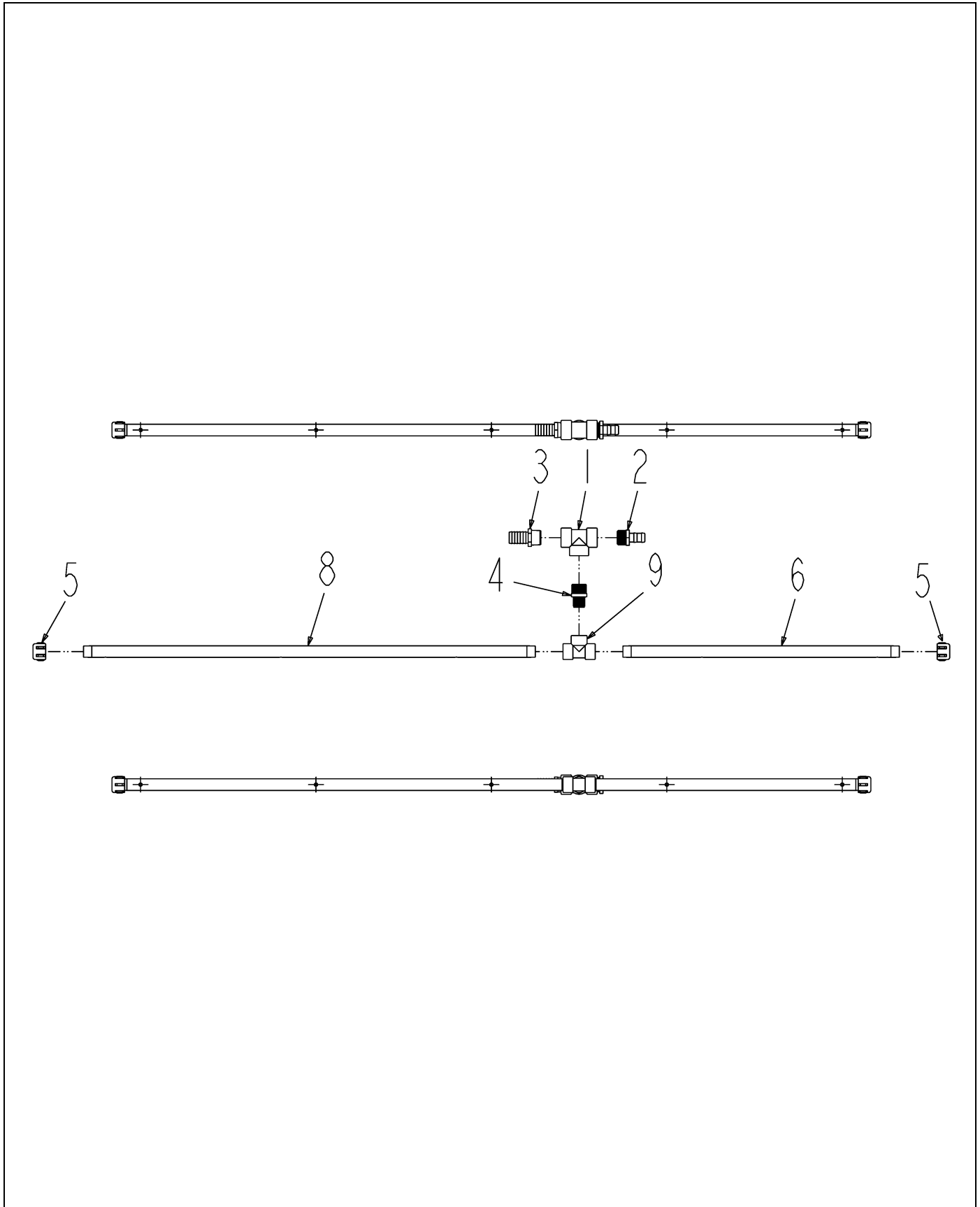
ITEM	PART #	QTY	DESCRIPTION	COMMENTS
1	AG051162	1	TEE,PIPE,1.25FNPT,PP	
2	AG051186	2	BARB-HOSE,1.25MNPTX1.25BARB,PP	
3	AG051437	1	NIPPLE RED 1.25NPTX1.00NPT PP	
4	AG051536	2	CAP-PIPE,1.00NPT PP	
5	AG129187	AR	PIPE SEALANT-FLEX BLACK	
6	AG234469	1	TUBE 46.50 BOOM	
7	AG237787	1	TUBE-BOOM,20,56.50,PP	
8	AG516405	1	TEE,PIPE,1.00FNPT,PP	



511154D1-01-N648-.tif

BRKT ASM-L,LG,IPS

ITEM	PART #	QTY	DESCRIPTION	COMMENTS
1	AG501443	1	GRANULAR BIN WELDMENT	
2	AG051534	2	BARB-HOSE,1.50MNPTX1.25BARB,PP	
3	AG051536	2	CAP-PIPE,1.00NPT PP	
4	AG503079	1	AXLE WLDMT-REAR	
5	AG055299	1	BARB-ELBOW,90D,1.50X1.25 POLY	
6	AG129187	AR	PIPE SEALANT-FLEX BLACK	
7	AG239721	2	TUBE-51.50,POLY	
8	AG516405	1	TEE,PIPE,1.00FNPT,PP	

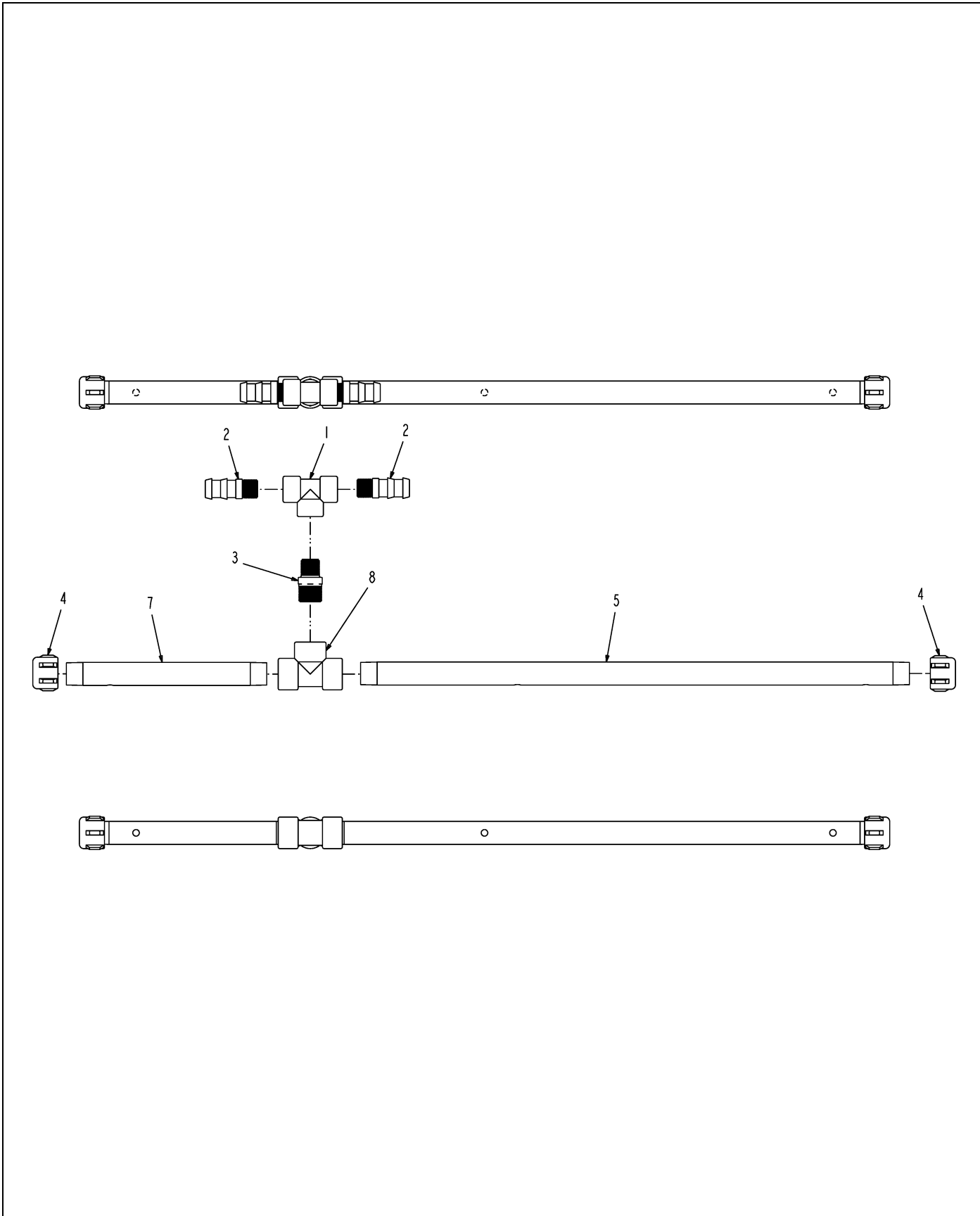


513816D1-01-N649-.TIF

PIPE ASM-T W/1.25/1HB,5X20,PP

ITEM	PART #	QTY	DESCRIPTION	COMMENTS
1	AG051162	1	TEE,PIPE,1.25FNPT,PP	
2	AG051185	1	BARB-HOSE,1.25MNPTX1.00BARB,PP	
3	AG051186	1	BARB-HOSE,1.25MNPTX1.25BARB,PP	
4	AG051437	1	NIPPLE RED 1.25NPTX1.00NPT PP	
5	AG051536	2	CAP-PIPE,1.00NPT PP	
6	WR127785	1	TUBE-BOOM,PP,20,31.50	
7	AG129187	AR	PIPE SEALANT-FLEX BLACK	
8	AG239721	1	TUBE-51.50,POLY	
9	AG516405	1	TEE,PIPE,1.00FNPT,PP	

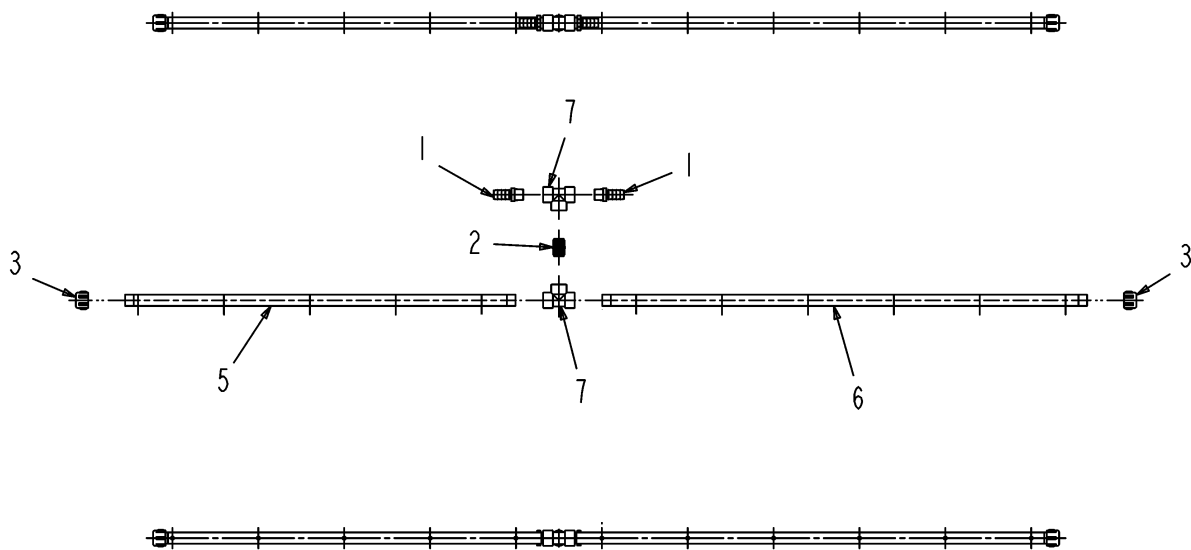
PIPE ASM-T RED W/2 1HB,3X20,PP



513817D1-01-N649-.TIF

PIPE ASM-T RED W/2 1HB,3X20,PP

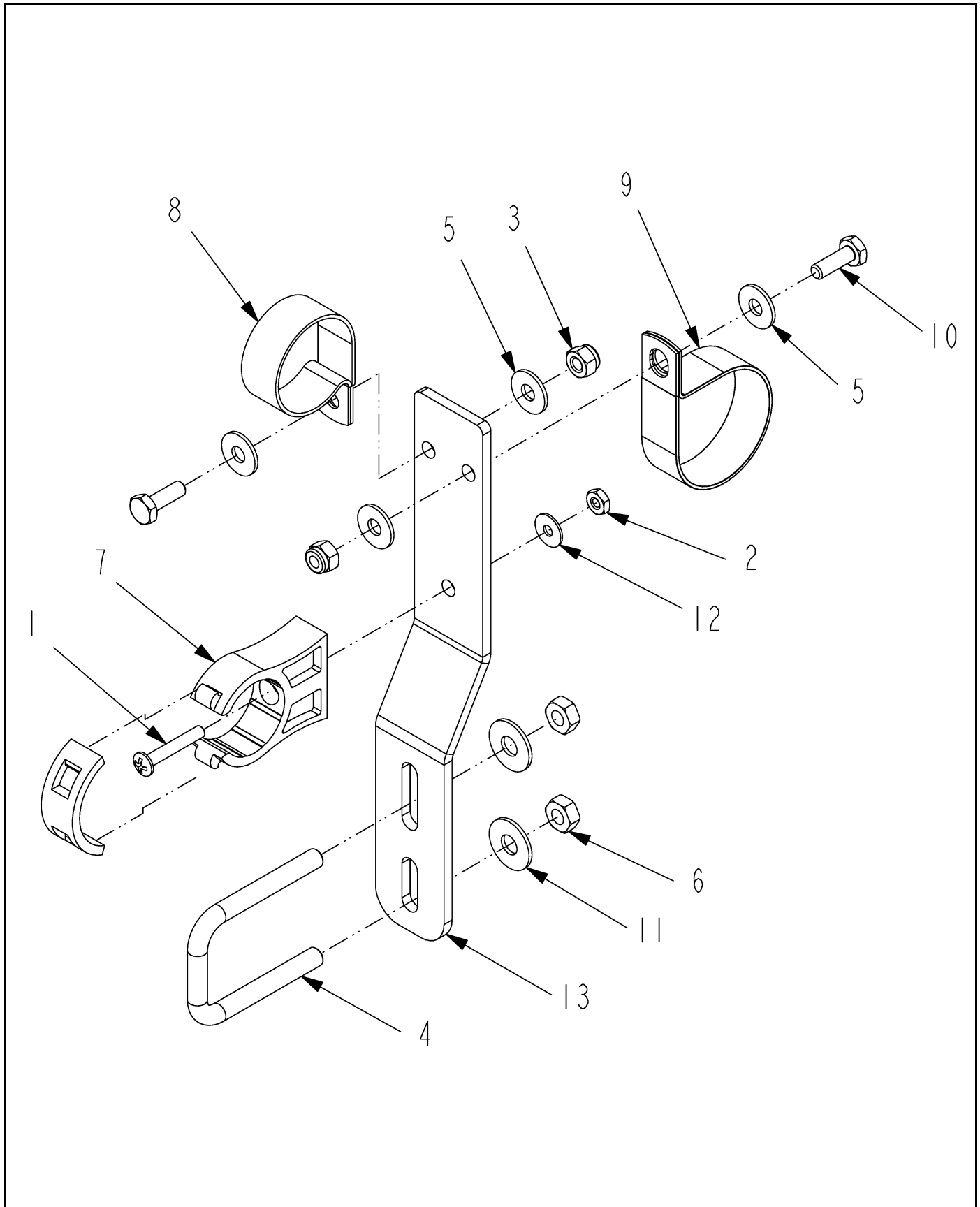
ITEM	PART #	QTY	DESCRIPTION	COMMENTS
1	AG051161	1	TEE,PIPE,0.75FNPT,PP	
2	AG051181	2	BARB-HOSE,0.75MNPTX1.00BARB,PP	
3	AG051436	1	NIPPLE POLY RED 1.00 X 0.75	
4	AG051536	2	CAP-PIPE,1.00NPT PP	
5	WR127785	1	TUBE-BOOM,PP,20,31.50	
6	AG129187	AR	PIPE SEALANT-FLEX BLACK	
7	AG234467	1	TUBE 11.50 BOOM	
8	AG516405	1	TEE,PIPE,1.00FNPT,PP	



134649-A.tif

PIPE ASM-T W/2 1.00HB,11X10,PP

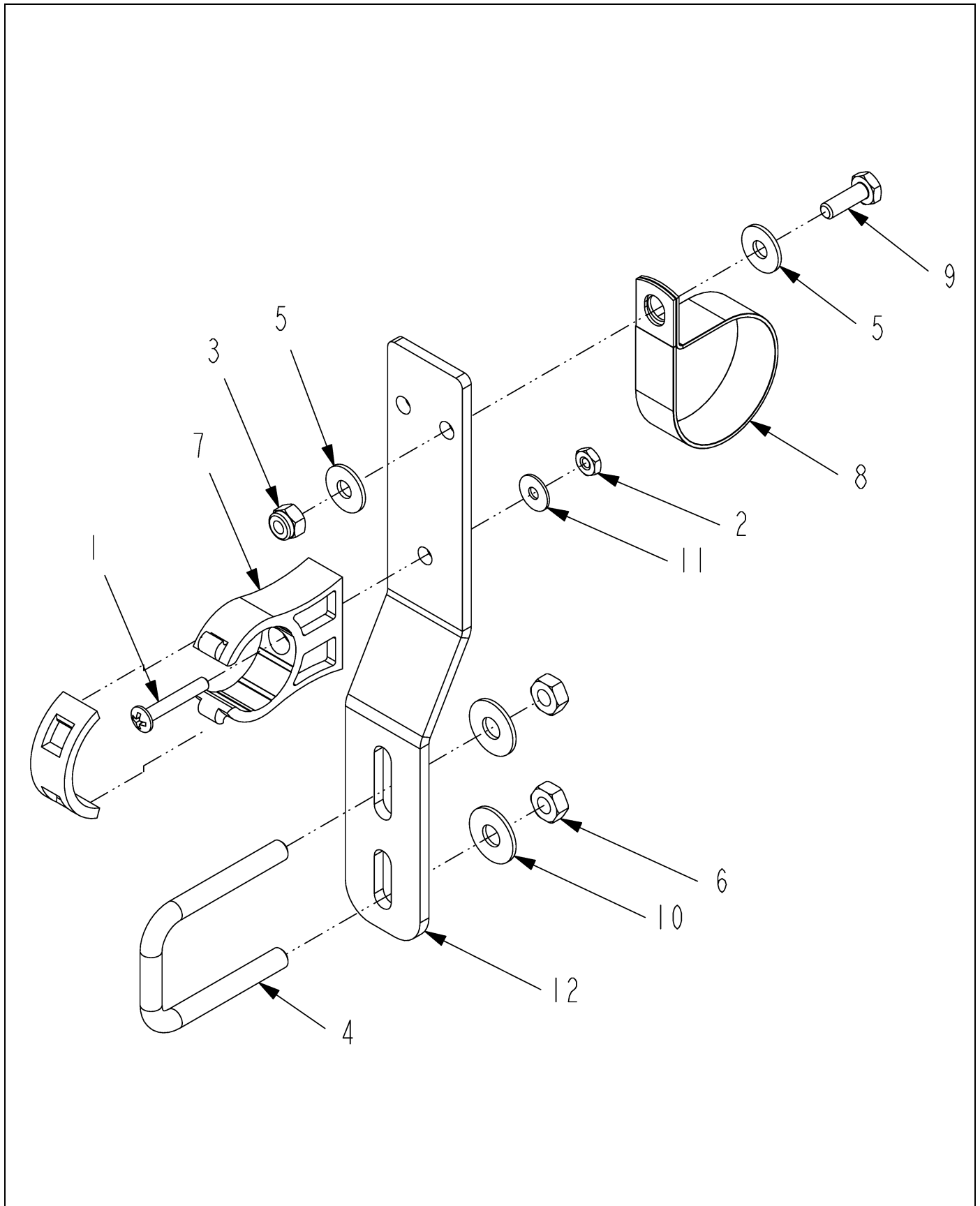
ITEM	PART #	QTY	DESCRIPTION	COMMENTS
1	AG051059	2	BARB-HOSE,1.00MNPTX1.00BARB,PP	
2	AG051153	1	NIPPLE-PIPE,1.00NPTXCLS,PP	
3	AG051536	2	CAP-PIPE,1.00NPT PP	
4	AG129187	AR	PIPE SEALANT-FLEX BLACK	
5	AG239930	1	TUBE-POLY,45.44,10IN CTR	
6	AG239937	1	TUBE-POLY,56.44,10IN CTR	
7	AG516405	2	TEE,PIPE,1.00FNPT,PP	



511490D1-01-N648-.TIF

BRKT ASM-Z,LG,IPS/2PCLP

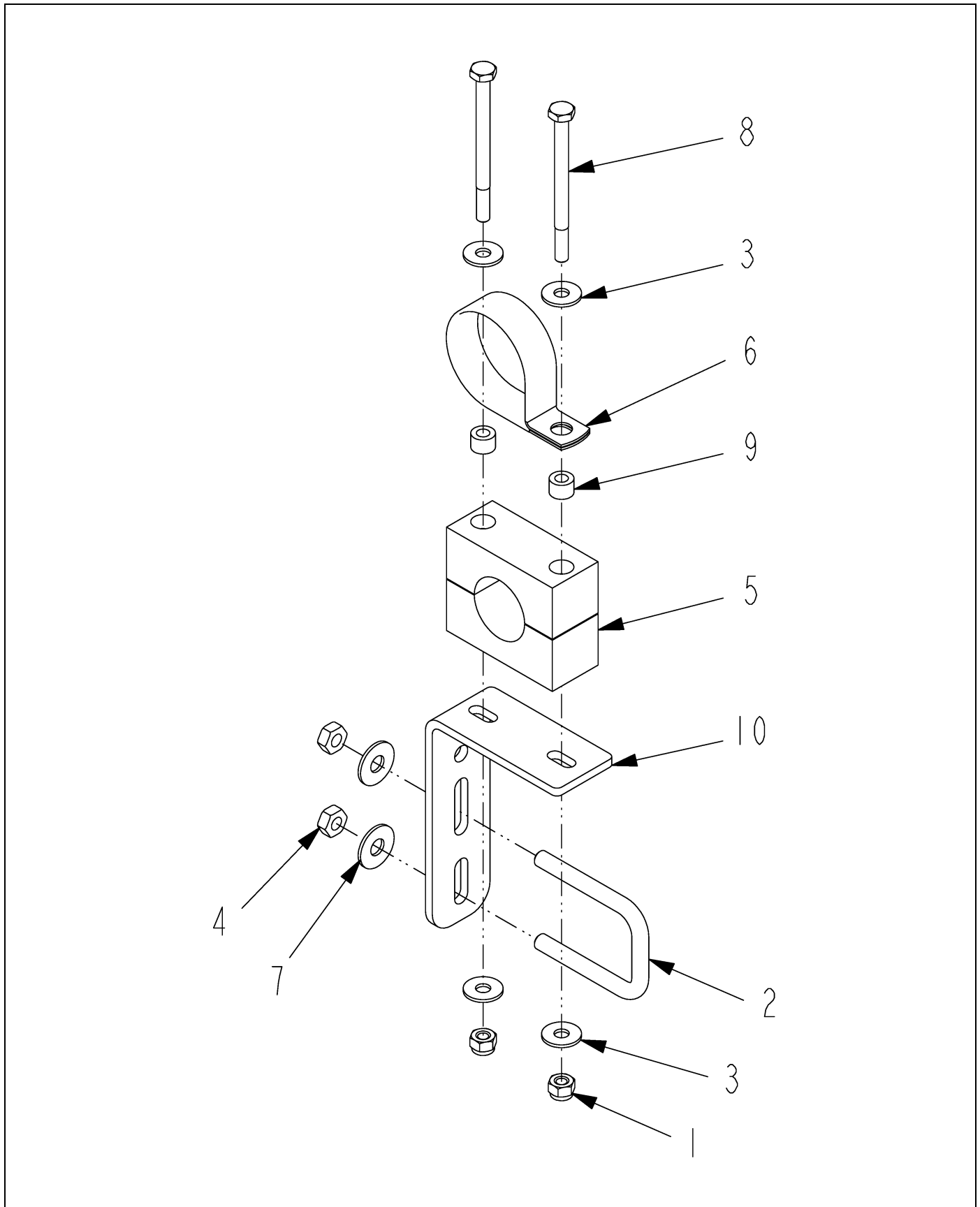
ITEM	PART #	QTY	DESCRIPTION	COMMENTS
1	AG027273	1	SCREW 10-24X 1.25 PHD PHILSS(P	
2	AG027274	1	NUT #10-24NC HEX SS REG NY	
3	AG027275	2	NUT 0.25-20NC HEX SS REG NY	
4	AG231204	1	BOLT-U .31-18X1.88X2.63	
5	AG515121	4	WASHER 0.25 FL SS REG TYPE-B	
6	AG516403	2	NUT 0.31-18NC HEX SS REG NY	
7	AG519749	1	CLAMP 1.00 IPS POLY	
8	AG523412	1	CLAMP-1.62 DIA,COATED HOSE	
9	AG561793	1	CLAMP-HOSE,2,.75 WIDE,RUB-COAT	
10	AG562054	2	BOLT 0.25-20NCX 0.75 SS HHD	
11	AG562074	2	WASHER 0.31 FL SS REG TYPE-B	
12	AG562082	1	WASHER #10 FL SS REG TYPE-B	
13	509882D1	1	BRKT-Z,STANDOFF,LG	



511491D1-01-N648-.TIF

BRKT ASM-Z,LG,IPS/1.50 PCLP

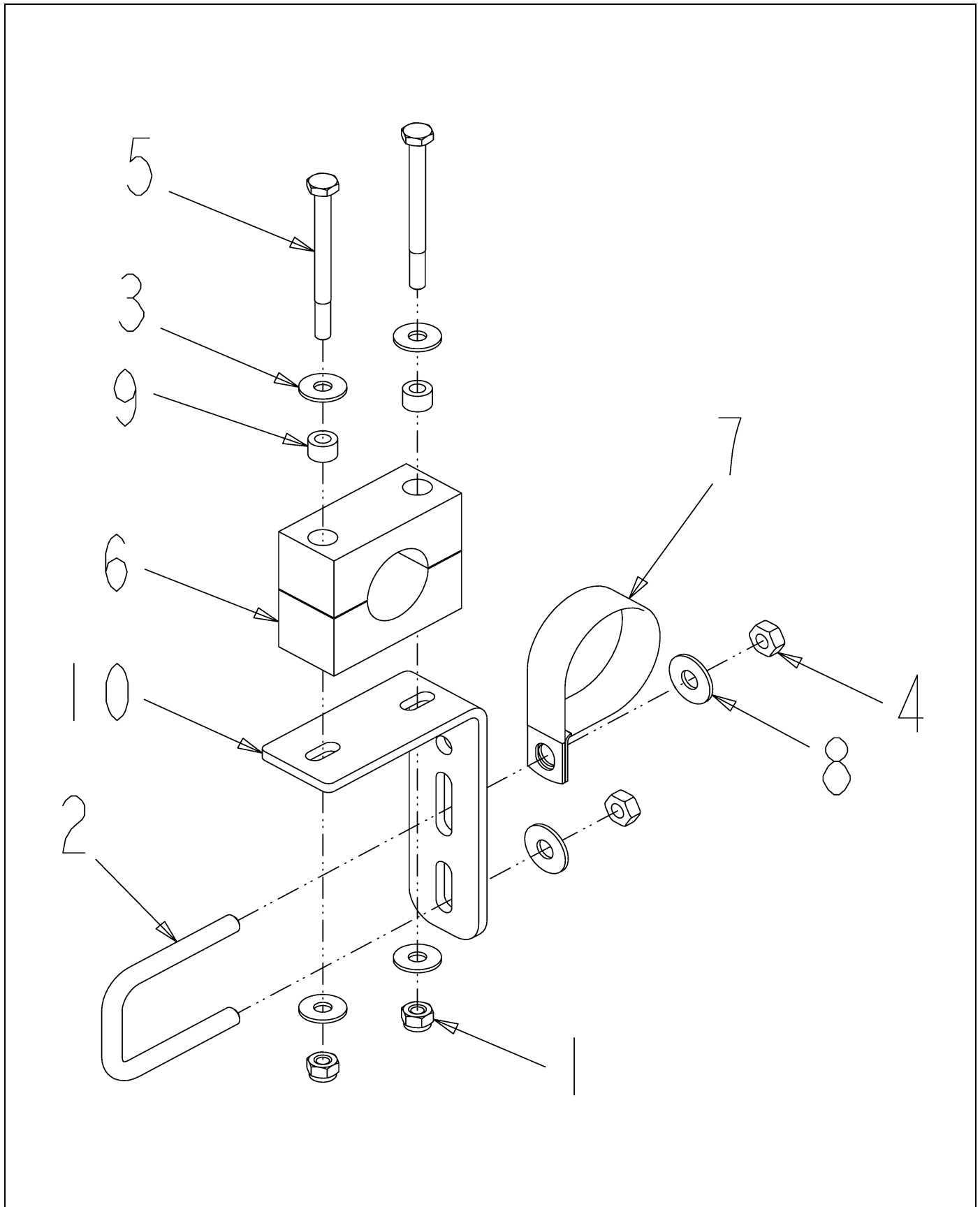
ITEM	PART #	QTY	DESCRIPTION	COMMENTS
1	AG027273	1	SCREW 10-24X 1.25 PHD PHILSS(P	
2	AG027274	1	NUT #10-24NC HEX SS REG NY	
3	AG027275	1	NUT 0.25-20NC HEX SS REG NY	
4	AG231204	1	BOLT-U .31-18X1.88X2.63	
5	AG515121	2	WASHER 0.25 FL SS REG TYPE-B	
6	AG516403	2	NUT 0.31-18NC HEX SS REG NY	
7	AG519749	1	CLAMP 1.00 IPS POLY	
8	AG561793	1	CLAMP-HOSE,2,.75 WIDE,RUB-COAT	
9	AG562054	2	BOLT 0.25-20NCX 0.75 SS HHD	
10	AG562074	2	WASHER 0.31 FL SS REG TYPE-B	
11	AG562082	1	WASHER #10 FL SS REG TYPE-B	
12	509882D1	1	BRKT-Z,STANDOFF,LG	



511494D1-01-N648-.TIF

BRKT ASM-L,LG,STAUFF,CTR CLP

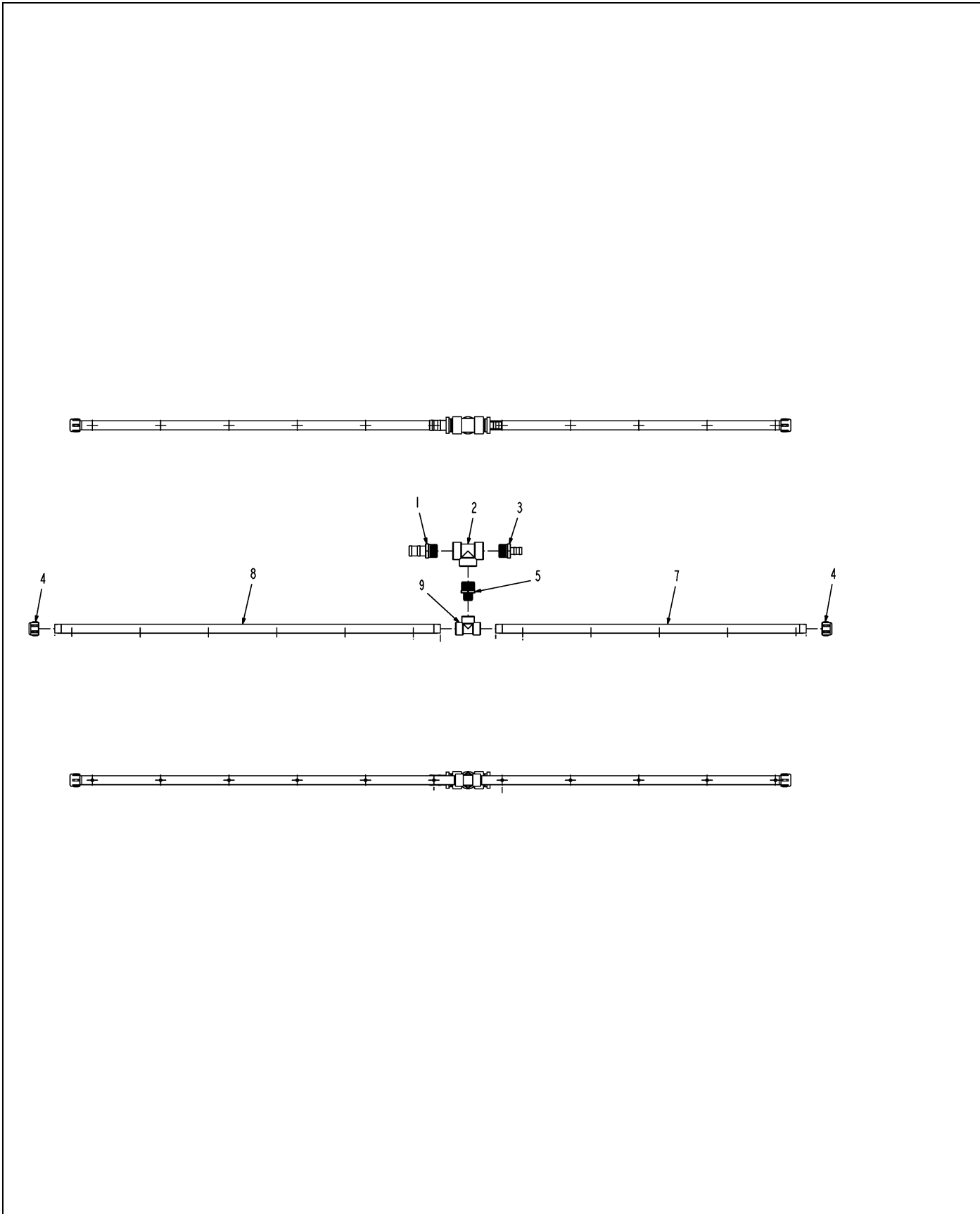
ITEM	PART #	QTY	DESCRIPTION	COMMENTS
1	AG027275	2	NUT 0.25-20NC HEX SS REG NY	
2	AG231204	1	BOLT-U .31-18X1.88X2.63	
3	AG515121	4	WASHER 0.25 FL SS REG TYPE-B	
4	AG516403	2	NUT 0.31-18NC HEX SS REG NY	
5	AG519748	1	CLAMP 1.00 PIPE	[A]
6	AG561793	1	CLAMP-HOSE,2,.75 WIDE,RUB-COAT	
7	AG562074	2	WASHER 0.31 FL SS REG TYPE-B	
8	AG563061	2	BOLT 0.25-20NCX 3.25 SS HHD	
9	AG609777	2	INSERT STAUFF SPACER	
10	509885D1	1	BRKT-L,STANDOFF,STAUFF	
	FOOTNOTE [A]		2 INSERTS AND 2 CLAMP MAKE UP 1 PART. BOLT - AG563061, WASHER - AG515121, NUT - AG027275,	



511495D1-01-N648-.TIF

BRKT ASM-L,LG,STAUFF,1.50 PCLP

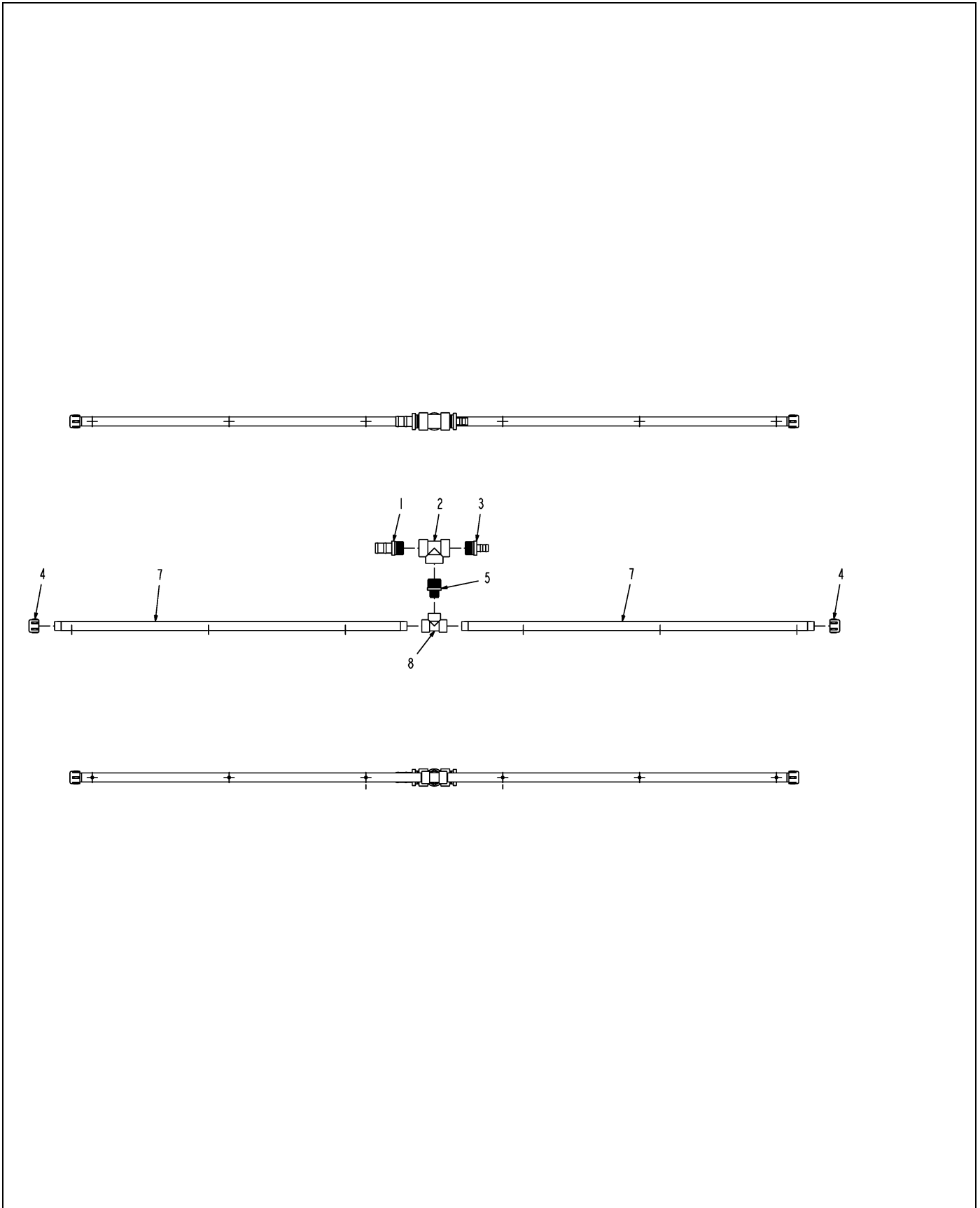
ITEM	PART #	QTY	DESCRIPTION	COMMENTS
1	AG027275	2	NUT 0.25-20NC HEX SS REG NY	
2	AG231204	1	BOLT-U .31-18X1.88X2.63	
3	AG515121	4	WASHER 0.25 FL SS REG TYPE-B	
4	AG516403	2	NUT 0.31-18NC HEX SS REG NY	
5	AG518492	2	BOLT 0.25-20NCX 3.00 SS HHD	
6	AG519748	1	CLAMP 1.00 PIPE	[A]
7	AG561793	1	CLAMP-HOSE,2,.75 WIDE,RUB-COAT	
8	AG562074	2	WASHER 0.31 FL SS REG TYPE-B	
9	AG609777	2	INSERT STAUFF SPACER	
10	509885D1	1	BRKT-L,STANDOFF,STAUFF	
	FOOTNOTE [A]		2 INSERTS AND 2 CLAMP MAKE UP 1 PART. BOLT - AG563061, WASHER - AG515121, NUT - AG027275,	



511496D1-01-N648-.tif

PIPE ASM-T W/1.5/1HB,11X10,PP

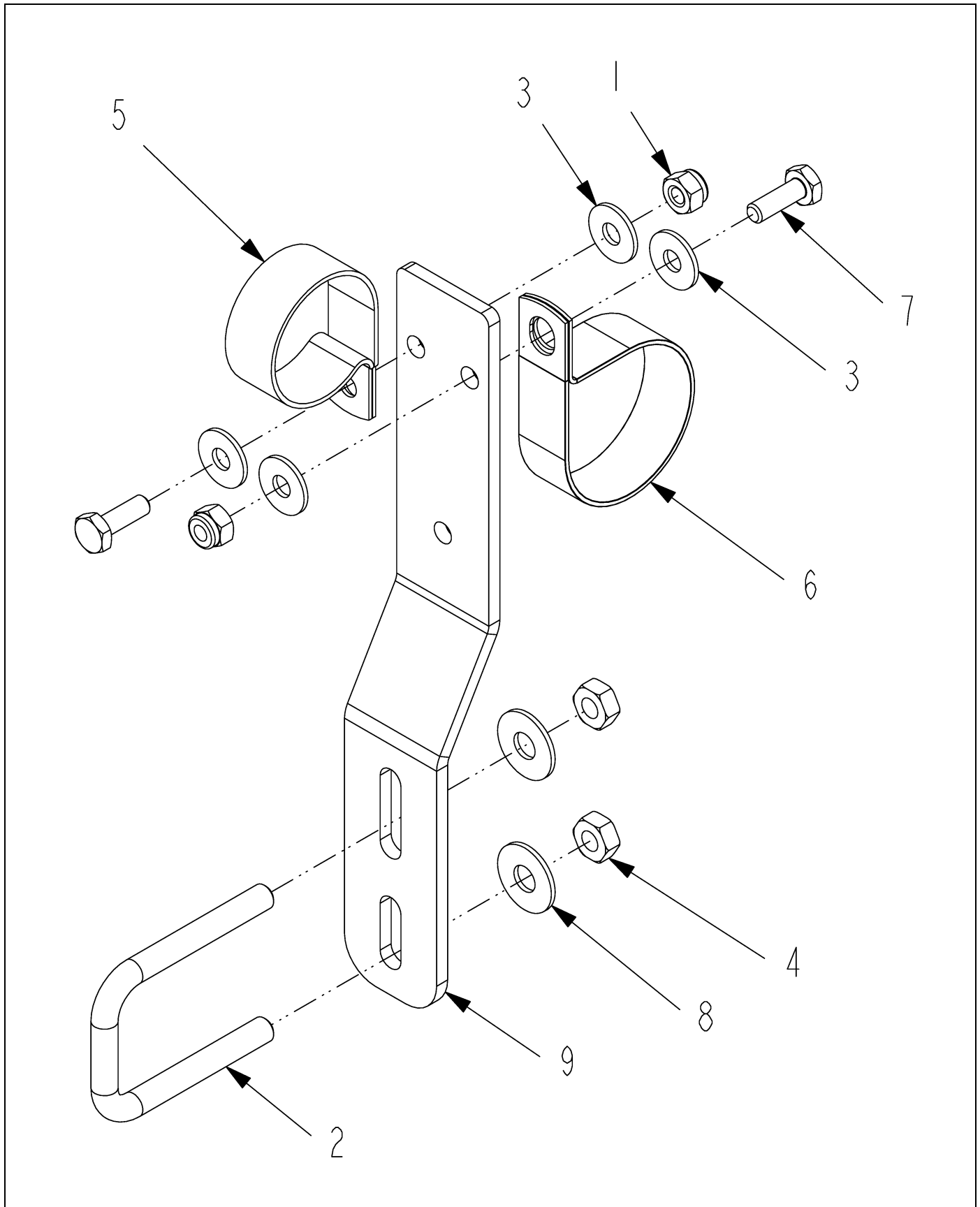
ITEM	PART #	QTY	DESCRIPTION	COMMENTS
1	AG000766	1	BARB-HOSE,1.50MNPTX1.50BARB,PP	
2	AG050273	1	TEE,PIPE,1.50FNPT,PP	
3	AG051533	1	BARB-HOSE,1.50MNPTX1.00BARB,PP	
4	AG051536	2	CAP-PIPE,1.00NPT PP	
5	AG053079	1	REDUCER NIPPLE 1.50 X 1.00	
6	AG129187	AR	PIPE SEALANT-FLEX BLACK	
7	AG239930	1	TUBE-POLY,45.44,10IN CTR	
8	AG239937	1	TUBE-POLY,56.44,10IN CTR	
9	AG516405	1	TEE,PIPE,1.00FNPT,PP	



511434D1-01-N648-.tif

PIPE ASM-T W/ 1.5/1HB,6X20,PP

ITEM	PART #	QTY	DESCRIPTION	COMMENTS
1	AG000766	1	BARB-HOSE,1.50MNPTX1.50BARB,PP	
2	AG050273	1	TEE,PIPE,1.50FNPT,PP	
3	AG051533	1	BARB-HOSE,1.50MNPTX1.00BARB,PP	
4	AG051536	2	CAP-PIPE,1.00NPT PP	
5	AG053079	1	REDUCER NIPPLE 1.50 X 1.00	
6	AG129187	AR	PIPE SEALANT-FLEX BLACK	
7	AG239721	2	TUBE-51.50,POLY	
8	AG516405	1	TEE,PIPE,1.00FNPT,PP	

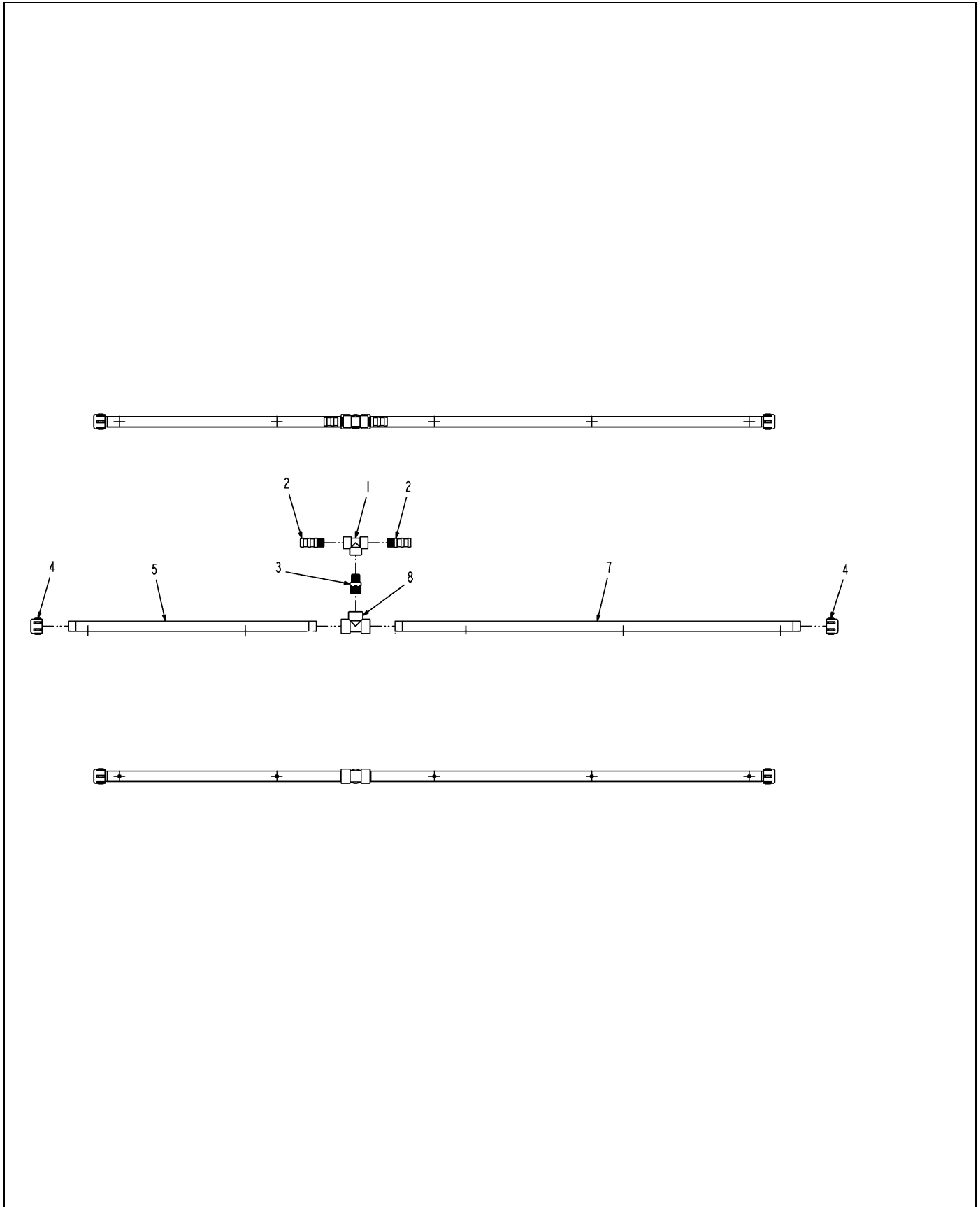


511492D1-01-N648-.TIF

BRKT ASM-Z,LG,1.25/1.50 PCLP

ITEM	PART #	QTY	DESCRIPTION	COMMENTS
1	AG027275	2	NUT 0.25-20NC HEX SS REG NY	
2	AG231204	1	BOLT-U .31-18X1.88X2.63	
3	AG515121	4	WASHER 0.25 FL SS REG TYPE-B	
4	AG516403	2	NUT 0.31-18NC HEX SS REG NY	
5	AG523412	1	CLAMP-1.62 DIA,COATED HOSE	
6	AG561793	1	CLAMP-HOSE,2,.75 WIDE,RUB-COAT	
7	AG562054	2	BOLT 0.25-20NCX 0.75 SS HHD	
8	AG562074	2	WASHER 0.31 FL SS REG TYPE-B	
9	509882D1	1	BRKT-Z,STANDOFF,LG	

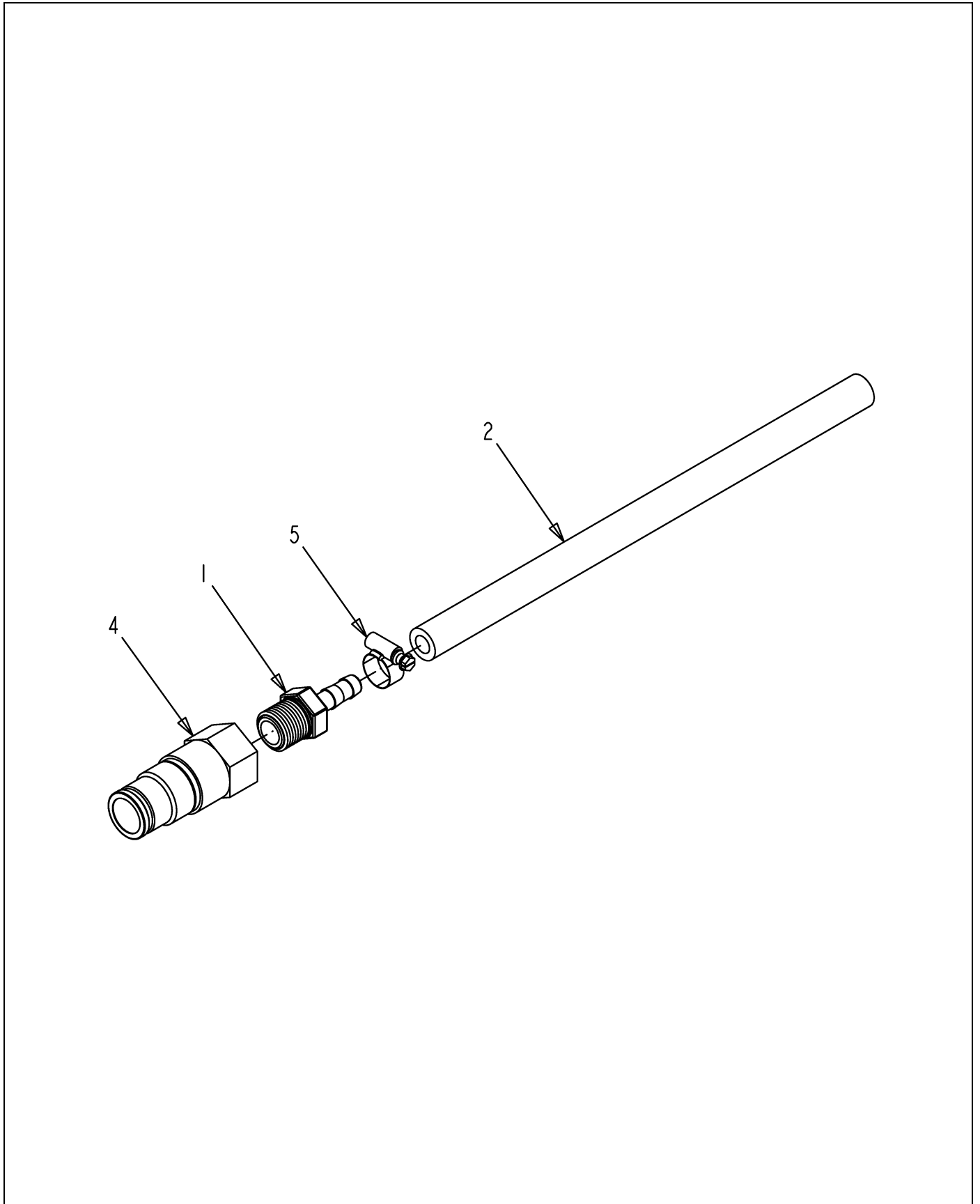
PIPE ASM-T RED W/2 1HB,5X20,PP



512493D1-01-N648-.tif

PIPE ASM-T RED W/2 1HB,5X20,PP

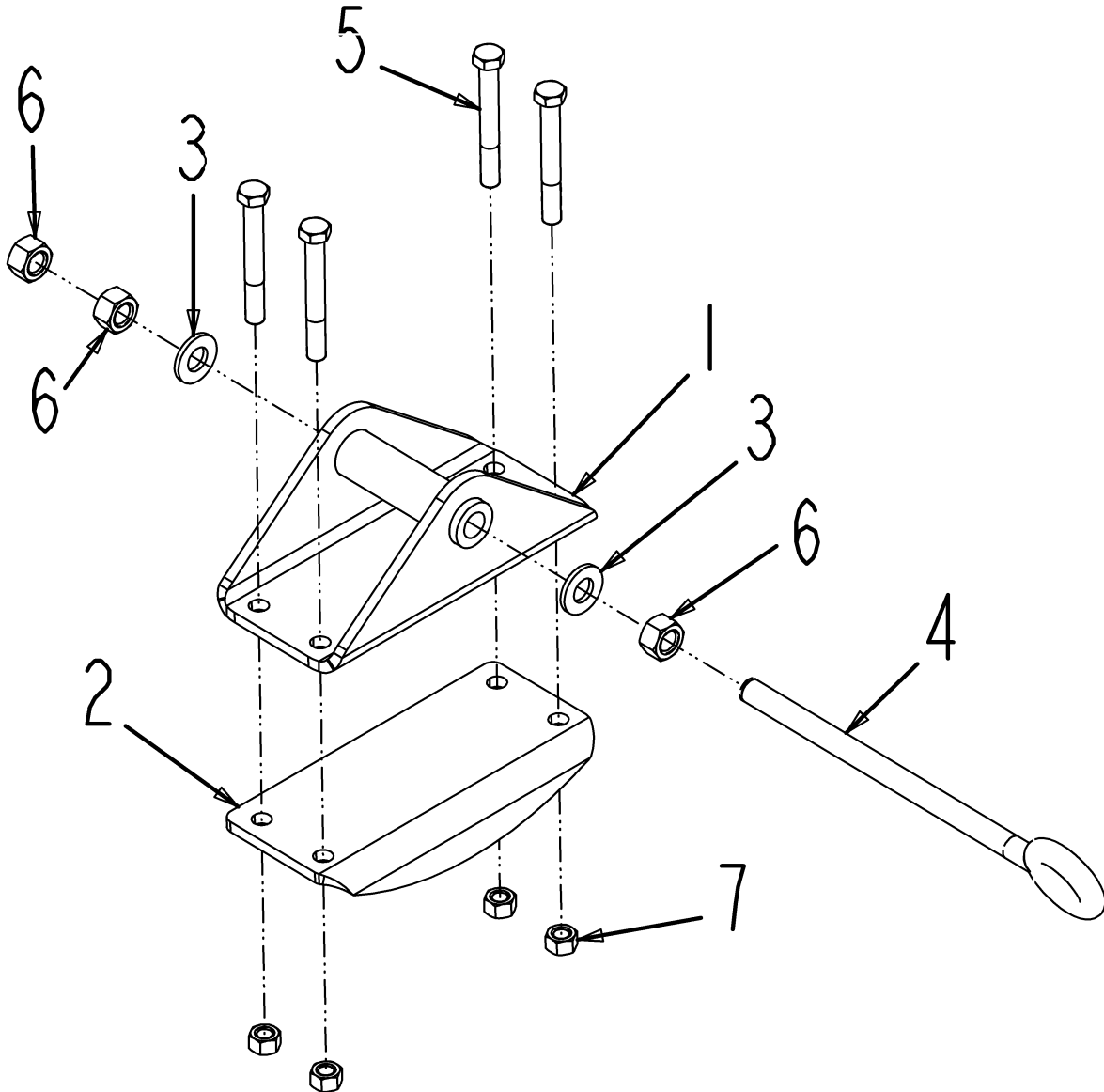
ITEM	PART #	QTY	DESCRIPTION	COMMENTS
1	AG051161	1	TEE,PIPE,0.75FNPT,PP	
2	AG051181	2	BARB-HOSE,0.75MNPTX1.00BARB,PP	
3	AG051436	1	NIPPLE POLY RED 1.00 X 0.75	
4	AG051536	2	CAP-PIPE,1.00NPT PP	
5	WR127785	1	TUBE-BOOM,PP,20,31.50	
6	AG129187	AR	PIPE SEALANT-FLEX BLACK	
7	AG239721	1	TUBE-51.50,POLY	
8	AG516405	1	TEE,PIPE,1.00FNPT,PP	



126100-B.TIF

CALIBRATION ASM-SDKCK

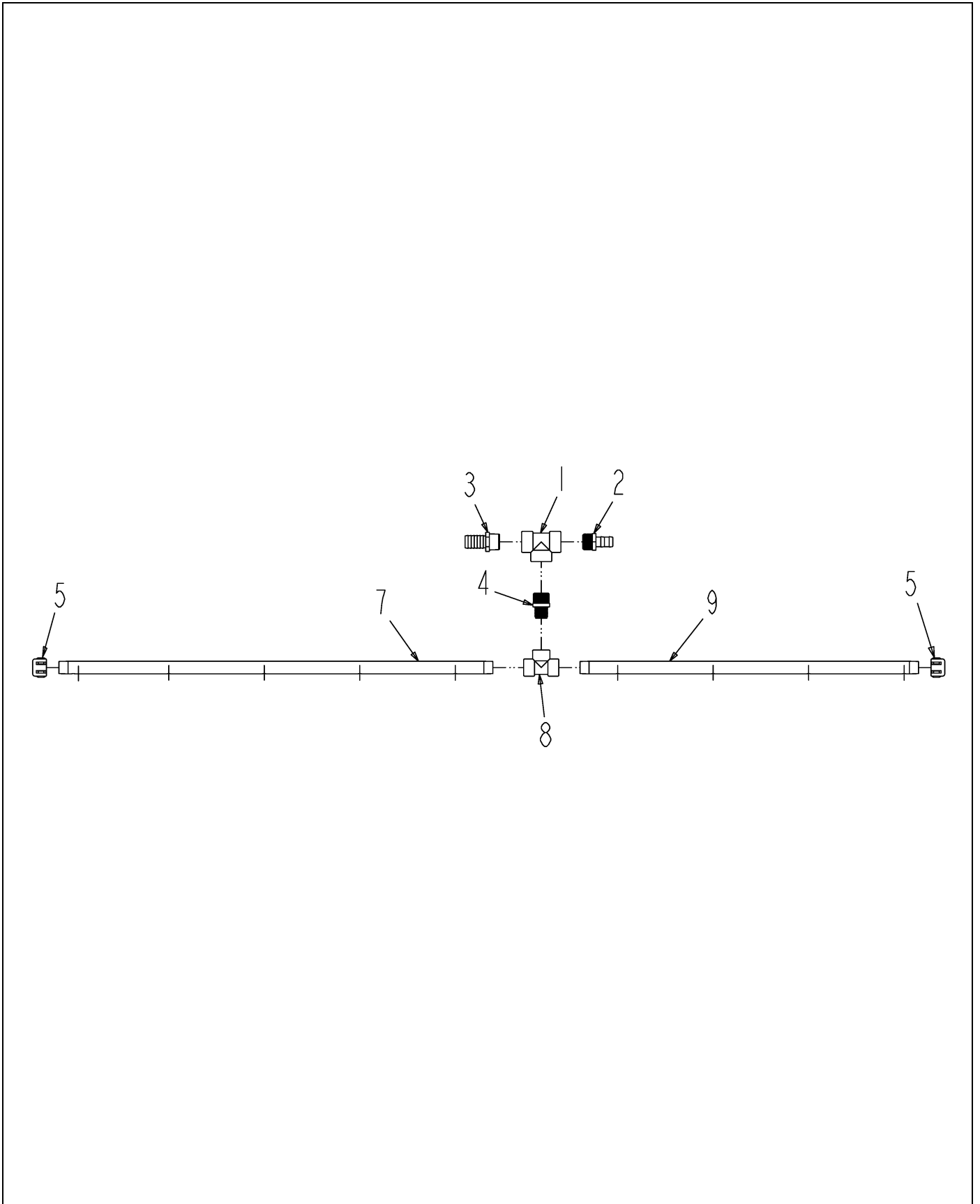
ITEM	PART #	QTY	DESCRIPTION	COMMENTS
1	AG051175	1	BARB-HOSE,0.50MNPTX0.37BARB,PP	
2	AG108659	1	HOSE .38 X 12.00 EPDM	
3	AG129187	AR	PIPE SEALANT-FLEX BLACK	
4	AG520345	1	NIPPLE END-.50 NPT,DRY BREAK	
5	AG561227	1	CLAMP 0.44-0.78 HOSE 6HS	



506322D1-01-M788.TIF

BRKT INSTL-MTG,ADJ,SPR,UPR

ITEM	PART #	QTY	DESCRIPTION	COMMENTS
1	AG136974	1	PLATE WLDMT-MTG,SPR,UPR	
2	AG136977	1	PLATE-MTG,SPR,LWR	
3	AG514554	2	WASHER 0.50 FL ZN SAE TYP-A G8	
4	AG518025	1	EYEBOLT .50-13 UNC X 8.00 GALV	
5	AG551058	4	BOLT 0.37-16NCX 3.25 G5 ZN HHD	
6	AG562538	3	NUT 0.50-13NC HEX GALV REG OSZ	
7	AG601411	4	NUT 0.37-16NC HEX ZN REG NY	

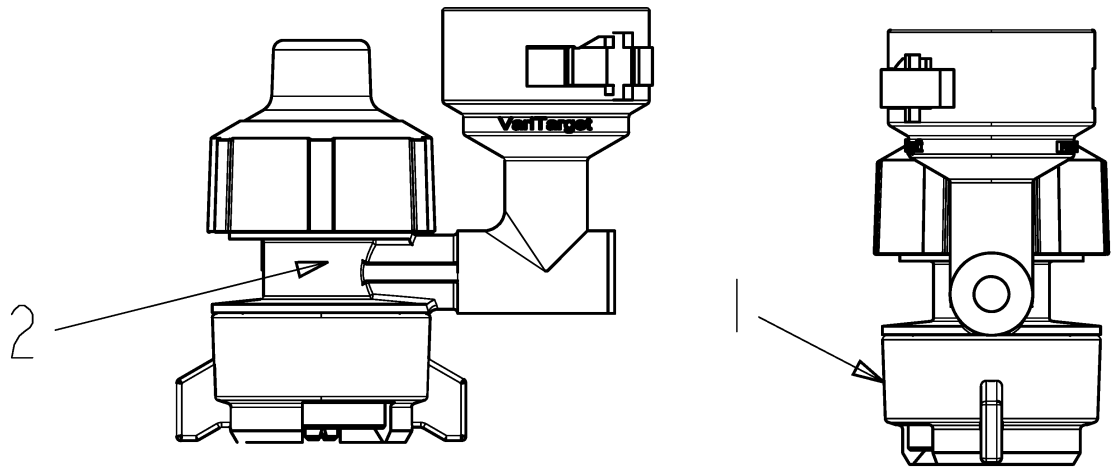


517613D1-01-R159-.TIF

PIPE ASM-T W/1.25/1HB,9X10,PP

ITEM	PART #	QTY	DESCRIPTION	COMMENTS
1	AG051162	1	TEE,PIPE,1.25FNPT,PP	
2	AG051185	1	BARB-HOSE,1.25MNPTX1.00BARB,PP	
3	AG051186	1	BARB-HOSE,1.25MNPTX1.25BARB,PP	
4	AG051437	1	NIPPLE RED 1.25NPTX1.00NPT PP	
5	AG051536	2	CAP-PIPE,1.00NPT PP	
6	AG129187	AR	PIPE SEALANT-FLEX BLACK	
7	AG239930	1	TUBE-POLY,45.44,10IN CTR	
8	AG516405	1	TEE,PIPE,1.00FNPT,PP	
9	506805D1	1	TUBE-POLY,35.44,10IN CTR	

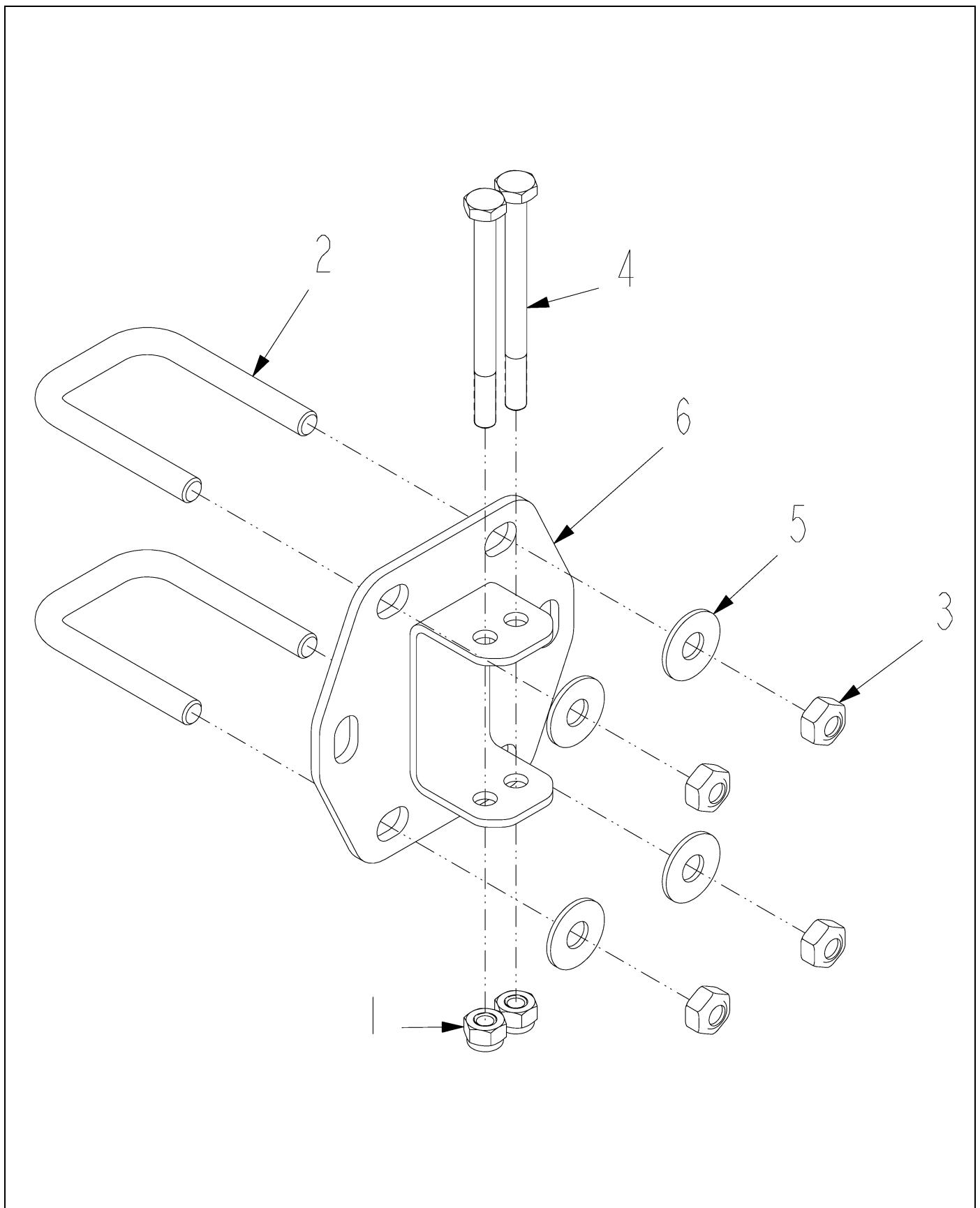
NOZZLE-SPRAY,VARITARGET,1.5GPM



426004-A-M319.tif

NOZZLE-SPRAY,VARITARGET,1.5GPM

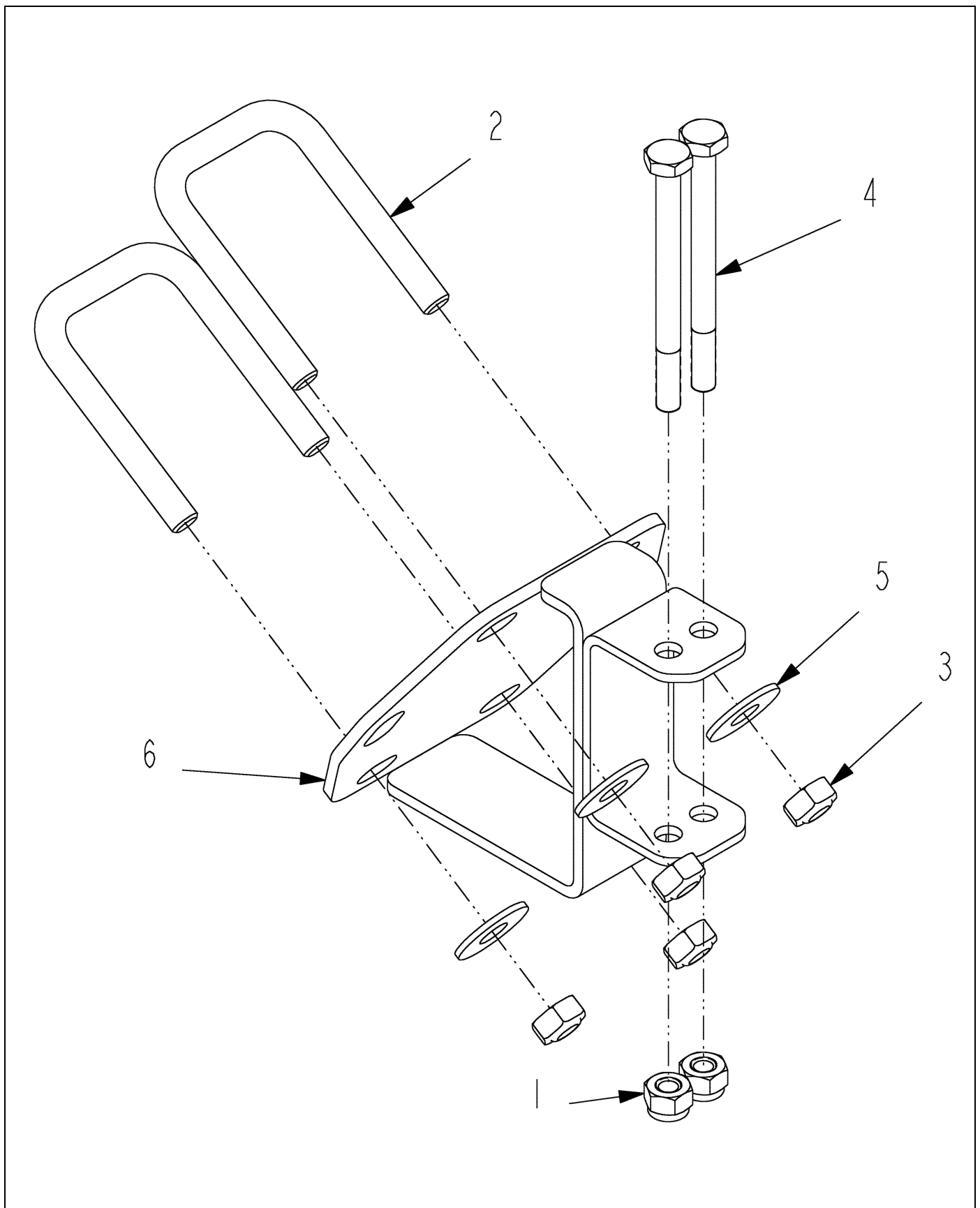
ITEM	PART #	QTY	DESCRIPTION	COMMENTS
1	AG426005	-	TIP & GASKET-SPRAY,VARITARGET	
2	AG426006	-	METERING ASM-NOZZLE,VARITARGET	



508137D1-01-N056-.TIF

BRKT ASM-MTG,VERT,1.50,SNSR

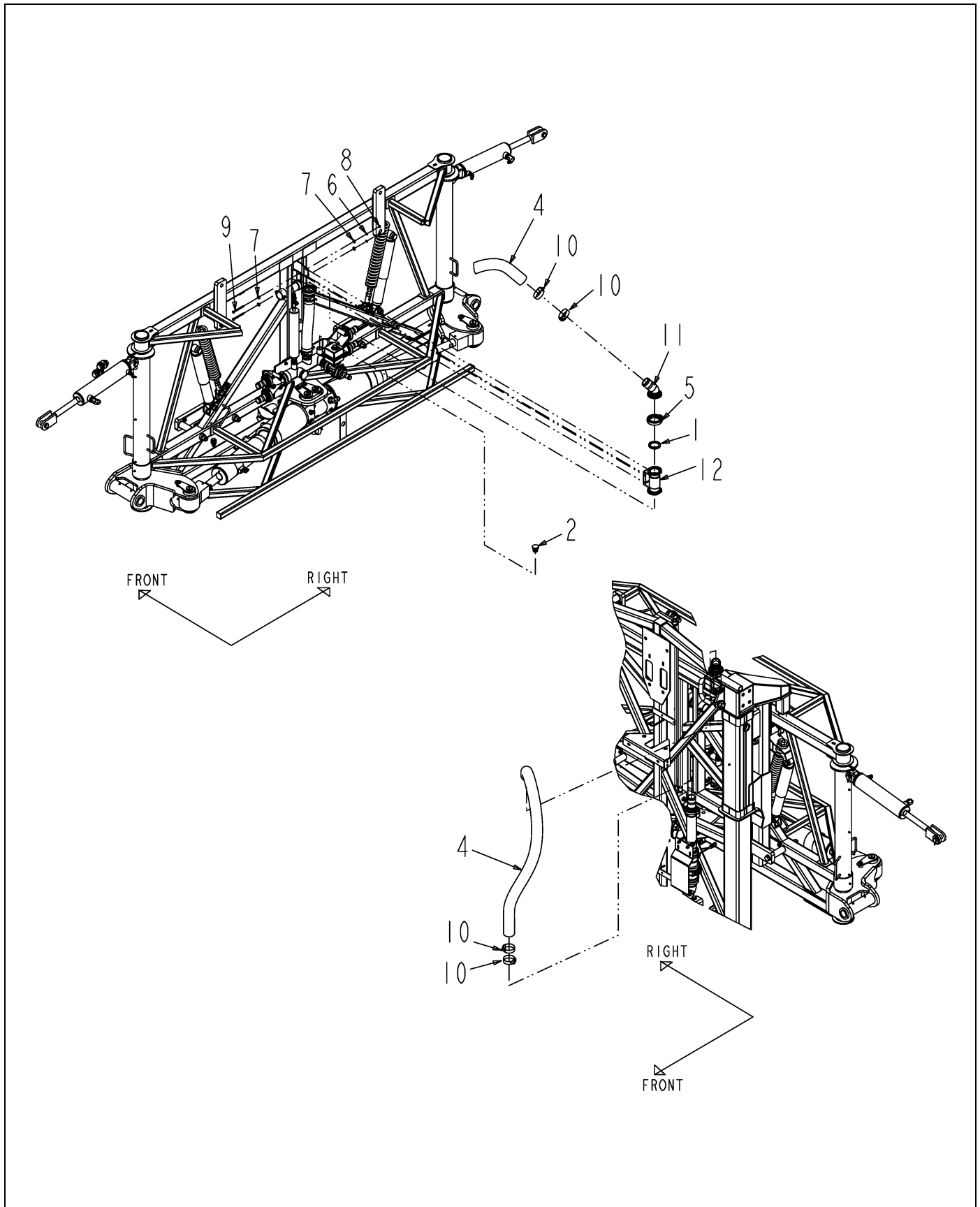
ITEM	PART #	QTY	DESCRIPTION	COMMENTS
1	AG027275	2	NUT 0.25-20NC HEX SS REG NY	
2	AG231204	2	BOLT-U .31-18X1.88X2.63	
3	AG516403	4	NUT 0.31-18NC HEX SS REG NY	
4	AG518492	2	BOLT 0.25-20NCX 3.00 SS HHD	
5	AG562074	4	WASHER 0.31 FL SS REG TYPE-B	
6	506906D1	1	BRKT WLDMT-MTG,SNSR,AUTOBOOM	



509021D1-01-N056-.TIF

BRKT ASM-MTG,80,SNSR,AUTOBOOM

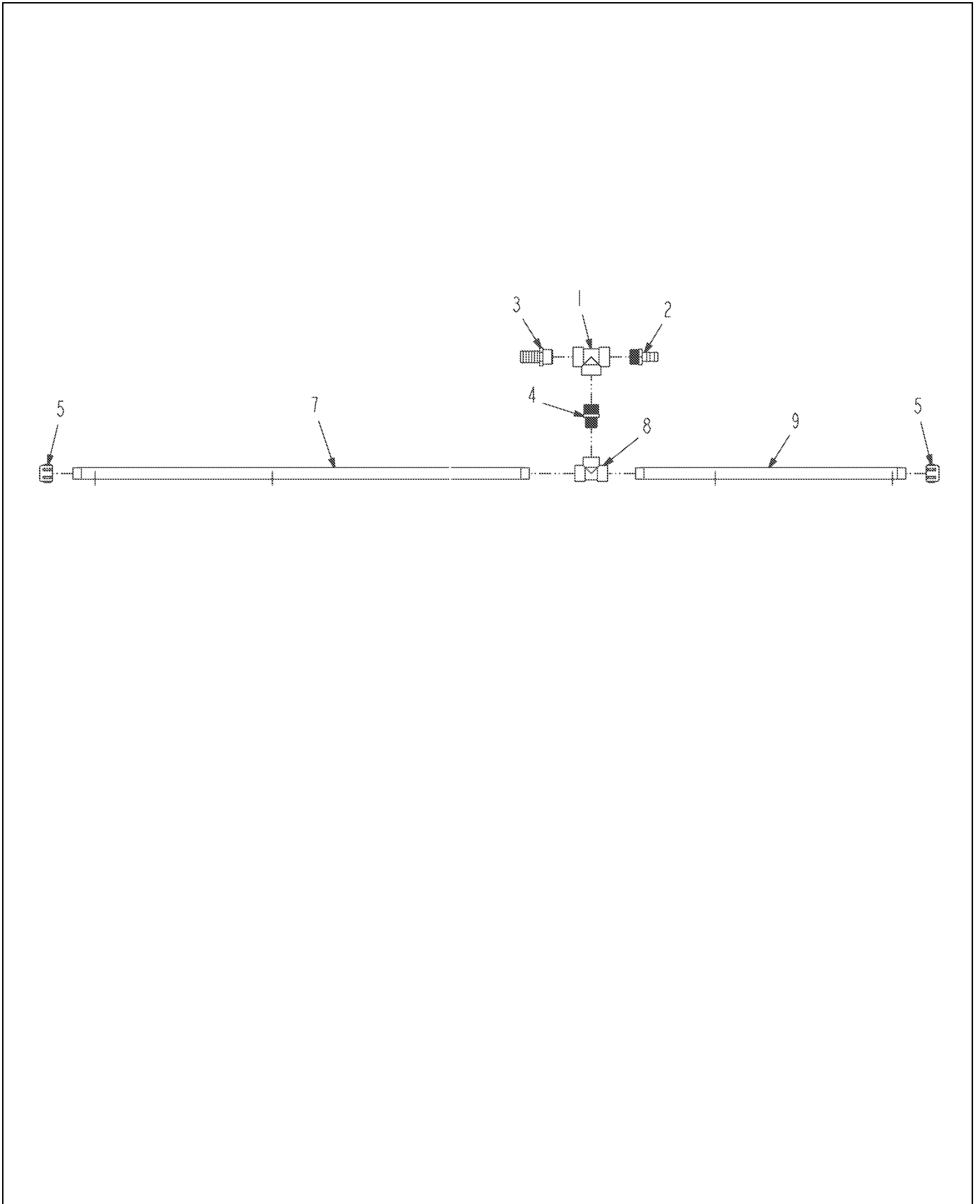
ITEM	PART #	QTY	DESCRIPTION	COMMENTS
1	AG027275	2	NUT 0.25-20NC HEX SS REG NY	
2	AG231204	2	BOLT-U .31-18X1.88X2.63	
3	AG516403	4	NUT 0.31-18NC HEX SS REG NY	
4	AG518492	2	BOLT 0.25-20NCX 3.00 SS HHD	
5	AG562074	4	WASHER 0.31 FL SS REG TYPE-B	
6	509020D1	1	BRK WLDMT-MTG,80,SNSR,AUTOBM	



516451D1-01-N980-.TIF

SYS INSTL-NO BCO,BM TREE,5.00

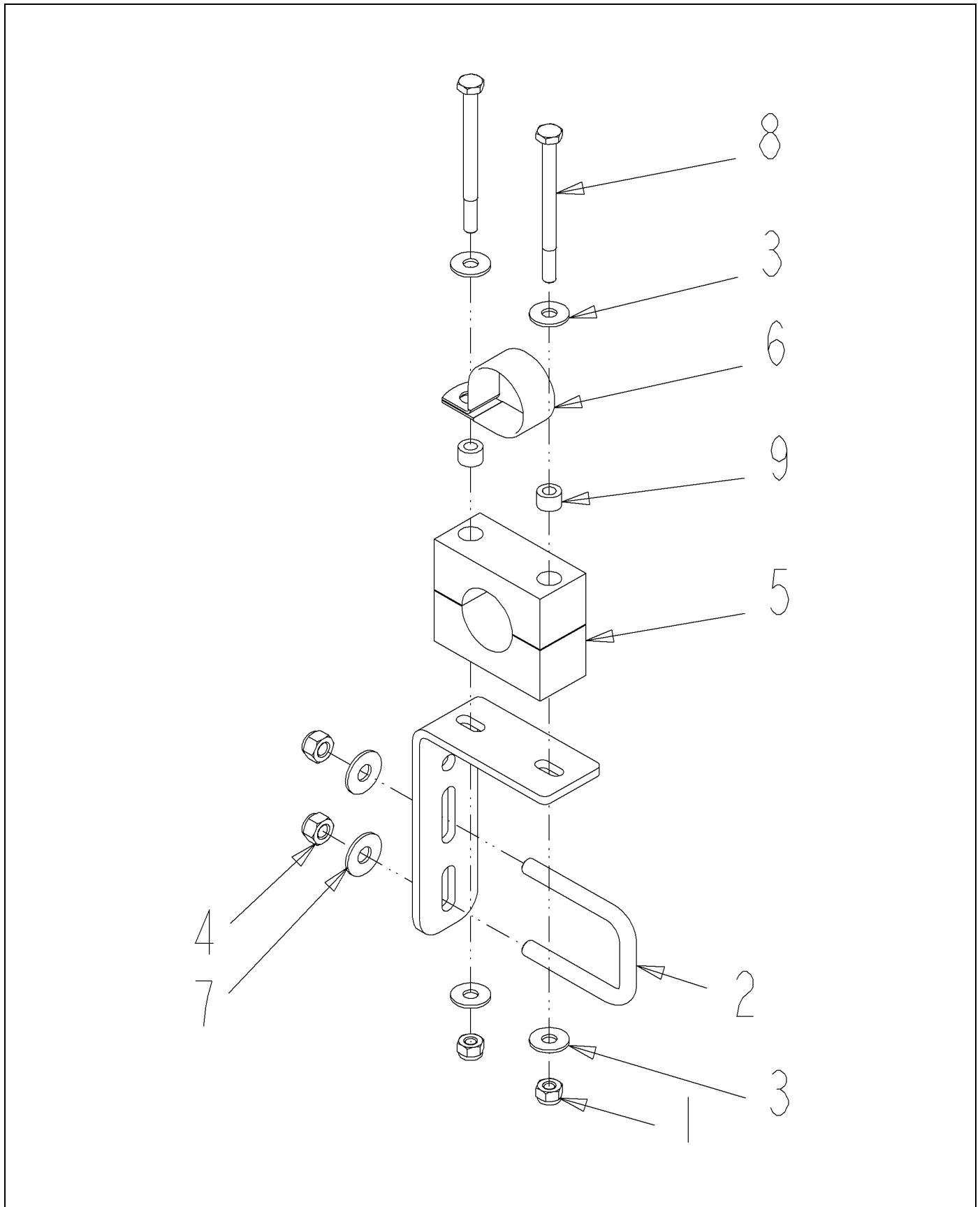
ITEM	PART #	QTY	DESCRIPTION	COMMENTS
1	AG000773	1	GASKET 2.00 EPDM	
2	AG051134	1	PLUG-PIPE,HEX,0.75NPT,PP	
3	AG129187	AR	PIPE SEALANT-FLEX BLACK	
4	AG511722	-	HOSE-2.00,WIRE BRAID,EPDM [BULK: 6.084 FT]	
5	AG522895	1	CLAMP-WORM SCREW,2.00,SS	
6	AG550493	2	WASHER 0.25 LK ZN REG	
7	AG550507	4	WASHER 0.25 FL ZN REG TYPE-B	
8	AG550612	2	NUT 0.25-20NC HEX ZN REG	
9	AG561246	2	BOLT 0.25-20NCX 3.25 G5 ZN HDD	
10	AG561630	4	CLAMP 2.28-2.59HOSE VOSS-250SS	
11	507731D1	1	BARB-45D,2.00FP FLGX2.00 HOSE	
12	516452D1	1	FLG WLDMT-MTG,2.00FP X 2.00FP	



517463D1-01-R159-.TIF

PIPE ASM-T W/1.25/1HB,5X20,PP

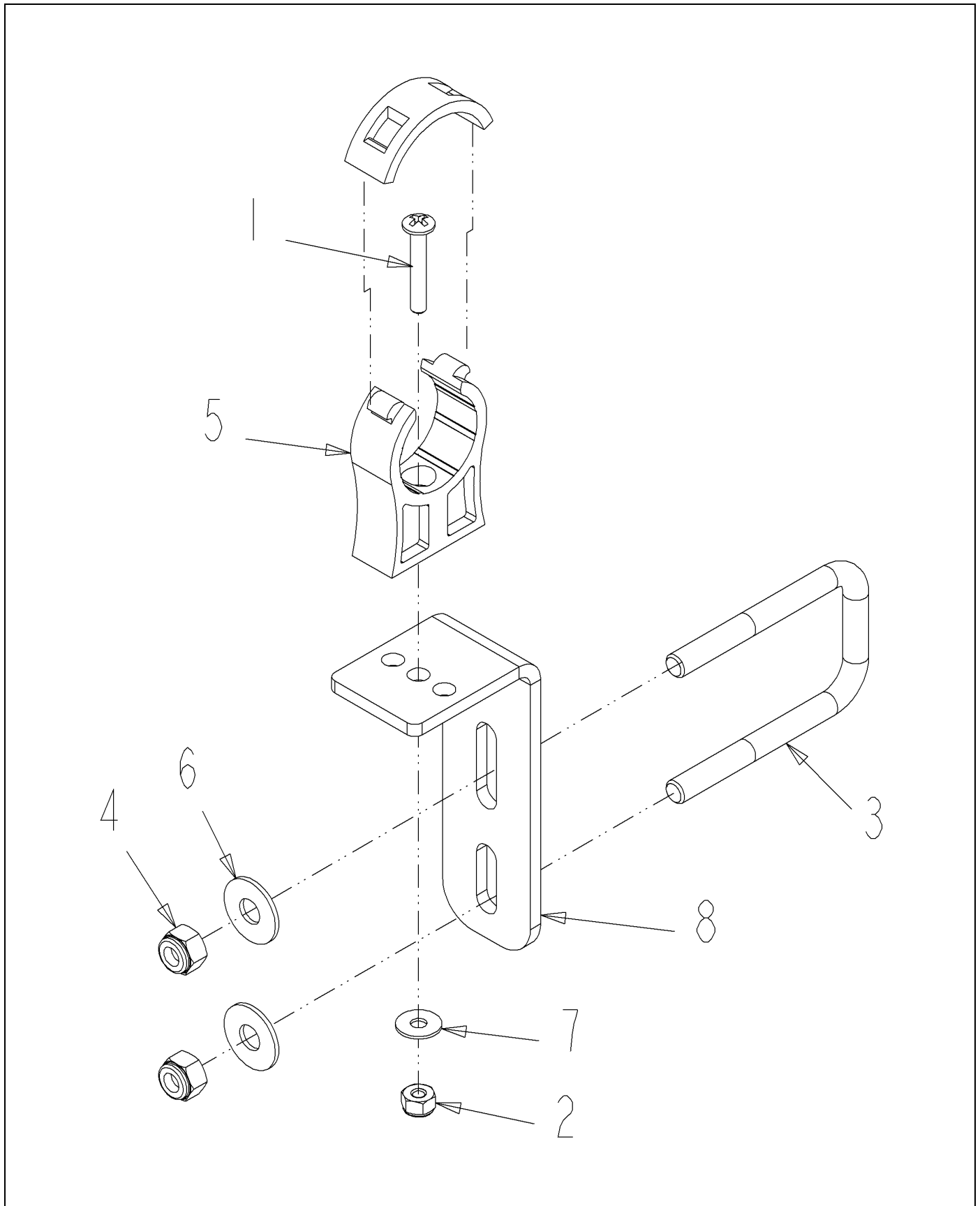
ITEM	PART #	QTY	DESCRIPTION	COMMENTS
1	AG051162	1	TEE,PIPE,1.25FNPT,PP	
2	AG051185	1	BARB-HOSE,1.25MNPTX1.00BARB,PP	
3	AG051186	1	BARB-HOSE,1.25MNPTX1.25BARB,PP	
4	AG051437	1	NIPPLE RED 1.25NPTX1.00NPT PP	
5	AG051536	2	CAP-PIPE,1.00NPT PP	
6	AG129187	AR	PIPE SEALANT-FLEX BLACK	
7	AG239721	1	TUBE-51.50,POLY	
8	AG516405	1	TEE,PIPE,1.00FNPT,PP	
9	506808D1	1	TUBE-POLY,30.50,20IN CTR	



509895D1-01-R483-.TIF

BRKT ASM-L,LG,STAUFF,CTR CLP

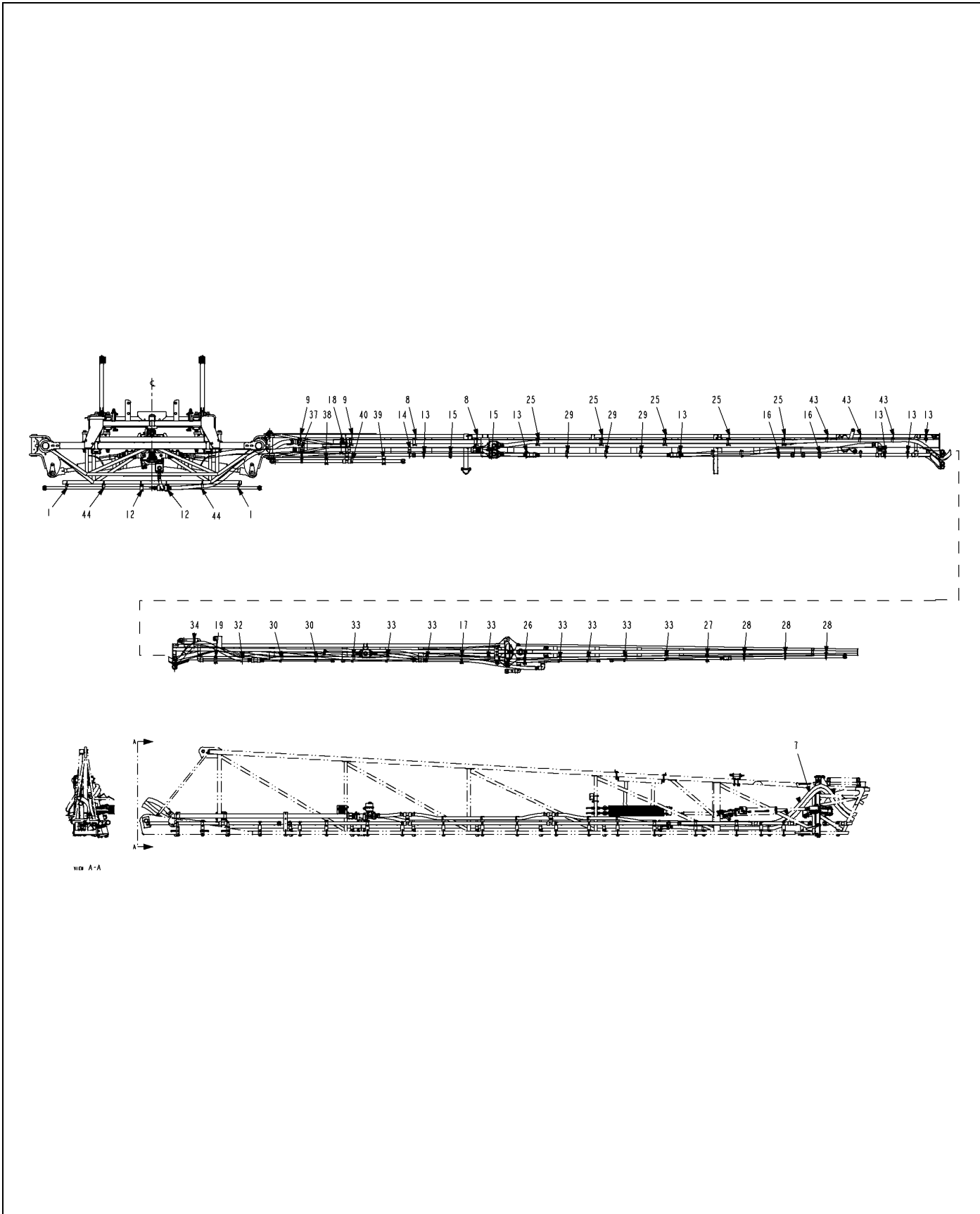
ITEM	PART #	QTY	DESCRIPTION	COMMENTS
1	AG027275	2	NUT 0.25-20NC HEX SS REG NY	
2	AG231204	1	BOLT-U .31-18X1.88X2.63	
3	AG515121	4	WASHER 0.25 FL SS REG TYPE-B	
4	AG516403	2	NUT 0.31-18NC HEX SS REG NY	
5	AG519748	1	CLAMP 1.00 PIPE	[A]
6	AG519751	1	CLAMP 1.38 DIA COATED HOSE	
7	AG562074	2	WASHER 0.31 FL SS REG TYPE-B	
8	AG563061	2	BOLT 0.25-20NCX 3.25 SS HHD	
9	AG609777	2	INSERT STAUFF SPACER	
10	509885D1	1	BRKT-L,STANDOFF,STAUFF	
	FOOTNOTE [A]		2 INSERTS AND 2 CLAMP MAKE UP 1 PART. BOLT - AG563061, WASHER - AG515121, NUT - AG027275,	



509958D1-01-R483-.TIF

BRKT ASM-L,LG,IPS,LG U

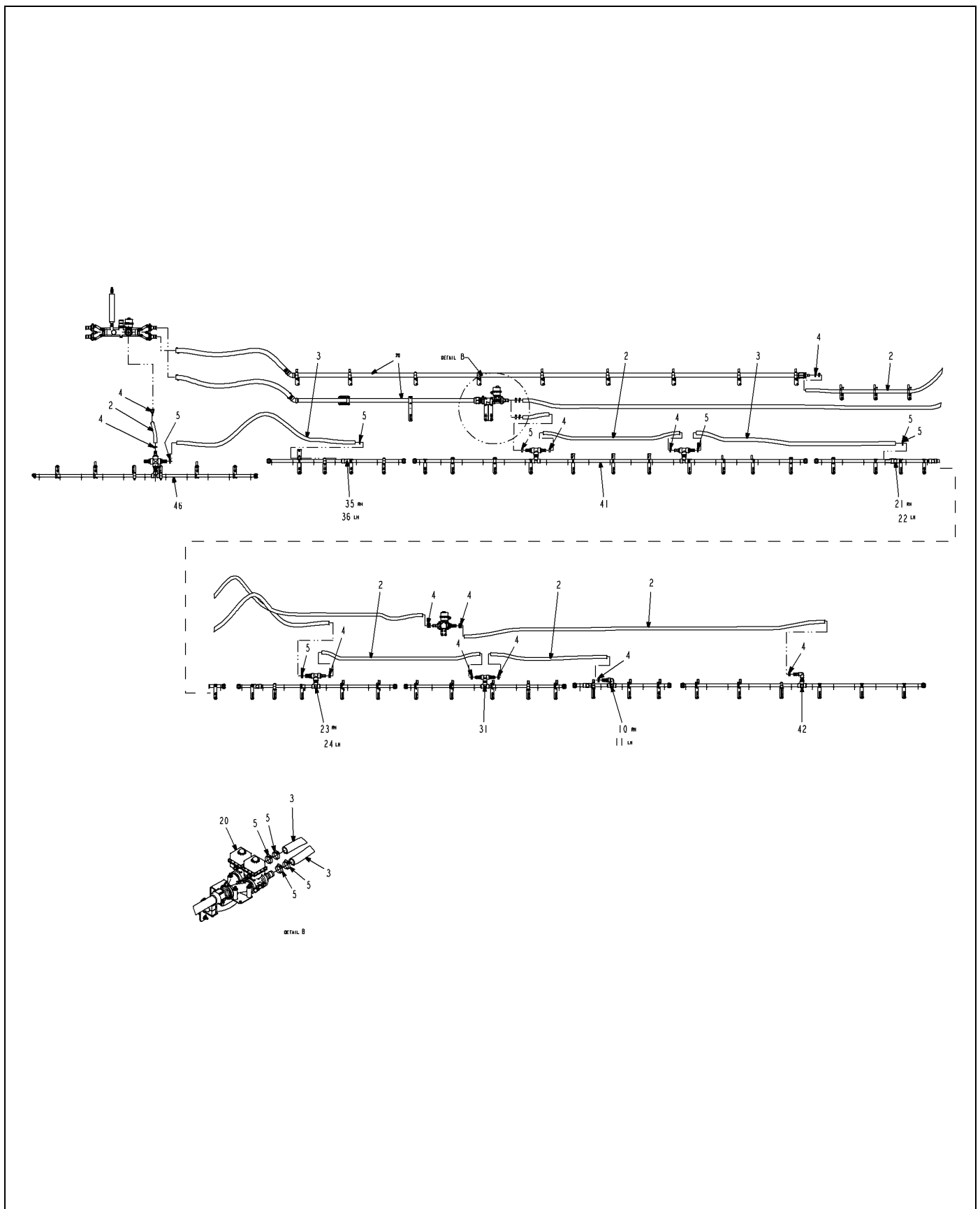
ITEM	PART #	QTY	DESCRIPTION	COMMENTS
1	AG027273	1	SCREW 10-24X 1.25 PHD PHILSS(P	
2	AG027274	1	NUT #10-24NC HEX SS REG NY	
4	AG261322	1	BOLT-U .31-18X1.56X 2.97SQ,SS	
4	AG516403	2	NUT 0.31-18NC HEX SS REG NY	
5	AG519749	1	CLAMP 1.00 IPS POLY	
6	AG562074	2	WASHER 0.31 FL SS REG TYPE-B	
7	AG562082	1	WASHER #10 FL SS REG TYPE-B	
8	509996D1	1	BRKT-L,LG,STANDOFF,IPS	



511587D1-01-R483-01.TIF

OPT-PP PLMB,120X7X10,ON,RTRY

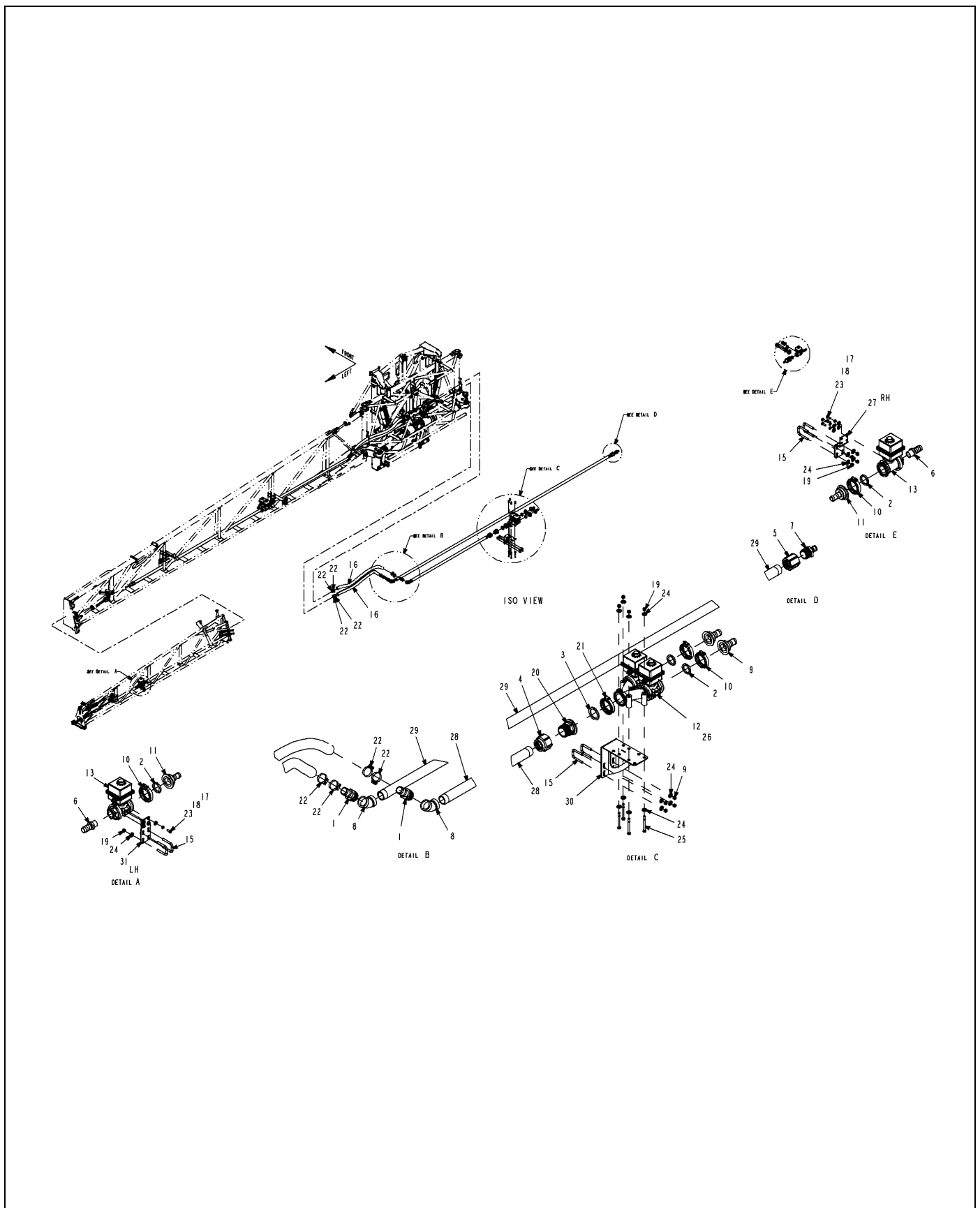
ITEM	PART #	QTY	DESCRIPTION	COMMENTS
1	AG122521	2	BRKT ASM-STR,SH,IPS CLP	SEE PAGE 4-93
1	AG122521	2	BRKT ASM-STR,SH,IPS CLP	SEE PAGE 4-93
6	AG562496	AR	TIE CABLE 15.0 .18-4.00 BLACK	
6	AG562496	AR	TIE CABLE 15.0 .18-4.00 BLACK	
7	506720D1	100	SLEEVE-PROTECTIVE,NYLON,-48	
7	506720D1	100	SLEEVE-PROTECTIVE,NYLON,-48	
8	506726D1	4	BRKT ASM-L,1.50 STAUFF,STD U	SEE PAGE 4-105
8	506726D1	4	BRKT ASM-L,1.50 STAUFF,STD U	SEE PAGE 4-105
9	506727D1	4	BRKT ASM-L,1.50 STAUFF,P,LG U	SEE PAGE 4-106
9	506727D1	4	BRKT ASM-L,1.50 STAUFF,P,LG U	SEE PAGE 4-106
12	508671D1	2	BRKT ASM-L,REV,1.00PP STAUFF	SEE PAGE 4-119
12	508671D1	2	BRKT ASM-L,REV,1.00PP STAUFF	SEE PAGE 4-119
13	509887D1	14	BRKT ASM-Z,SH,1.00IPS	SEE PAGE 4-142
13	509887D1	14	BRKT ASM-Z,SH,1.00IPS	SEE PAGE 4-142
14	509892D1	2	BRKT ASM-Z,LG,1.50 STAUFF	SEE PAGE 4-146
14	509892D1	2	BRKT ASM-Z,LG,1.50 STAUFF	SEE PAGE 4-146
15	509893D1	4	BRKT ASM-Z,PP STAUFF	SEE PAGE 4-147
15	509893D1	4	BRKT ASM-Z,PP STAUFF	SEE PAGE 4-147
16	509894D1	4	BRKT ASM-Z,PP STAUFF,LWR PCLP	SEE PAGE 4-148
16	509894D1	4	BRKT ASM-Z,PP STAUFF,LWR PCLP	SEE PAGE 4-148
17	509895D1	2	BRKT ASM-L,LG,STAUFF,CTR CLP	SEE PAGE 4-198
17	509895D1	2	BRKT ASM-L,LG,STAUFF,CTR CLP	SEE PAGE 4-198
18	509896D1	2	BRKT ASM-Z,SIDE MTG,1.50STAUFF	SEE PAGE 4-149
18	509896D1	2	BRKT ASM-Z,SIDE MTG,1.50STAUFF	SEE PAGE 4-149
19	511497D1	2	BRKT ASM-L,LG,STAUFF,REV U	SEE PAGE 4-168
19	511497D1	2	BRKT ASM-L,LG,STAUFF,REV U	SEE PAGE 4-168
25	511601D1	10	BRKT ASM-L,1.50 STAUFF,PCLP	SEE PAGE 4-209
25	511601D1	10	BRKT ASM-L,1.50 STAUFF,PCLP	SEE PAGE 4-209
26	511602D1	2	BRKT ASM-L,LG,STAUFF,PCLP,1.O	SEE PAGE 4-210
26	511602D1	2	BRKT ASM-L,LG,STAUFF,PCLP,1.O	SEE PAGE 4-210
27	511603D1	2	BRKT ASM-L,LG,STAUFF,REV 1.00U	SEE PAGE 4-211
27	511603D1	2	BRKT ASM-L,LG,STAUFF,REV 1.00U	SEE PAGE 4-211
28	511604D1	6	BRKT ASM-STR,LG,IPS,REV 1.00U	SEE PAGE 4-212
28	511604D1	6	BRKT ASM-STR,LG,IPS,REV 1.00U	SEE PAGE 4-212
29	511617D1	6	BRKT ASM-Z,LG,2XIPS	SEE PAGE 4-214
29	511617D1	6	BRKT ASM-Z,LG,2XIPS	SEE PAGE 4-214
30	511624D1	4	BRKT ASM-STR,XLG,IPS,2XPCLP	SEE PAGE 4-215
30	511624D1	4	BRKT ASM-STR,XLG,IPS,2XPCLP	SEE PAGE 4-215
32	511675D1	2	BRKT ASM-STR,LG,IPS,1.25 PCLP	SEE PAGE 4-217
32	511675D1	2	BRKT ASM-STR,LG,IPS,1.25 PCLP	SEE PAGE 4-217
33	511688D1	16	BRKT ASM-STR,XLG,IPS,PCLP	SEE PAGE 4-218
33	511688D1	16	BRKT ASM-STR,XLG,IPS,PCLP	SEE PAGE 4-218
34	511765D1	2	BRKT ASM-STR,LG,1.00IPS,STD U	SEE PAGE 4-170
34	511765D1	2	BRKT ASM-STR,LG,1.00IPS,STD U	SEE PAGE 4-170
37	520541D1	2	BRKT ASM-L/STR,IPS/1.50 STAUFF	SEE PAGE 4-229
37	520541D1	2	BRKT ASM-L/STR,IPS/1.50 STAUFF	SEE PAGE 4-229
38	520542D1	2	BRKT ASM-L,LG,STAUFF,LG UBOLT	SEE PAGE 4-230
38	520542D1	2	BRKT ASM-L,LG,STAUFF,LG UBOLT	SEE PAGE 4-230
39	520543D1	2	BRKT ASM-L,LG,STAUFF,XLG OFFST	SEE PAGE 4-231
39	520543D1	2	BRKT ASM-L,LG,STAUFF,XLG OFFST	SEE PAGE 4-231
40	520544D1	2	BRKT ASM-STR,LG,IPS,LG UBOLT	SEE PAGE 4-232
40	520544D1	2	BRKT ASM-STR,LG,IPS,LG UBOLT	SEE PAGE 4-232
43	520626D1	6	BRKT ASM-STR,SH,1.00/1.25 PCLP	SEE PAGE 4-235
43	520626D1	6	BRKT ASM-STR,SH,1.00/1.25 PCLP	SEE PAGE 4-235
44	520635D1	2	SHAFT AS-PEDAL	SEE PAGE 4-237
44	520635D1	2	SHAFT AS-PEDAL	SEE PAGE 4-237
45	520893D1	4	BRKT ASM-Z,SH,1.00IPS/1.25PCLP	SEE PAGE 4-239
45	520893D1	4	BRKT ASM-Z,SH,1.00IPS/1.25PCLP	SEE PAGE 4-239



511587D1-01-R483-02.TIF

OPT-PP PLMB,120X7X10,ON,RTRY

ITEM	PART #	QTY	DESCRIPTION	COMMENTS
2	AG511528	-	HOSE 1.00 2BRD EPDM [BULK: 93.459 FT]	
2	AG511528	-	HOSE 1.00 2BRD EPDM [BULK: 93.459 FT]	
3	AG513393	-	HOSE 1.25 2BRD EPDM [BULK: 81 FT]	
3	AG513393	-	HOSE 1.25 2BRD EPDM [BULK: 81 FT]	
4	AG561213	28	CLAMP 0.81-1.50 HOSE 16HS	
4	AG561213	28	CLAMP 0.81-1.50 HOSE 16HS	
5	AG561230	20	CLAMP 0.81-1.75 HOSE 20HS	
5	AG561230	20	CLAMP 0.81-1.75 HOSE 20HS	
10	506735D1	1	PIPE ASM-90D W/1HB,5X10,PP,RH	SEE PAGE 4-112
10	506735D1	1	PIPE ASM-90D W/1HB,5X10,PP,RH	SEE PAGE 4-112
11	506736D1	1	PIPE ASM-90D W/1HB,5X10,PP,LH	SEE PAGE 4-113
11	506736D1	1	PIPE ASM-90D W/1HB,5X10,PP,LH	SEE PAGE 4-113
20	511589D1	1	SYS INSTL-PLMB,1.50,120X7,RTRY	SEE PAGE 4-202
20	511589D1	1	SYS INSTL-PLMB,1.50,120X7,RTRY	SEE PAGE 4-202
21	511593D1	1	PIPE ASM-90D W/1HB,7X10,PP,RH	SEE PAGE 4-203
21	511593D1	1	PIPE ASM-90D W/1HB,7X10,PP,RH	SEE PAGE 4-203
22	511594D1	1	PIPE ASM-90D W/1HB,7X10,PP,LH	SEE PAGE 4-204
22	511594D1	1	PIPE ASM-90D W/1HB,7X10,PP,LH	SEE PAGE 4-204
23	511595D1	1	PIPE ASM-T W/1.25/1HB,8X10,RH	SEE PAGE 4-205
23	511595D1	1	PIPE ASM-T W/1.25/1HB,8X10,RH	SEE PAGE 4-205
24	511596D1	1	PIPE ASM-T W/1.25/1HB,8X10,LH	SEE PAGE 4-206
24	511596D1	1	PIPE ASM-T W/1.25/1HB,8X10,LH	SEE PAGE 4-206
31	511672D1	2	PIPE ASM-T W/2 1.00HB,8X10,PP	SEE PAGE 4-216
31	511672D1	2	PIPE ASM-T W/2 1.00HB,8X10,PP	SEE PAGE 4-216
35	512415D1	1	PIPE ASM-90D W/1HB,7X10,PP,RH	SEE PAGE 4-225
35	512415D1	1	PIPE ASM-90D W/1HB,7X10,PP,RH	SEE PAGE 4-225
36	512416D1	1	PIPE ASM-90D W/1HB,7X10,PP,LH	SEE PAGE 4-226
36	512416D1	1	PIPE ASM-90D W/1HB,7X10,PP,LH	SEE PAGE 4-226
41	520581D1	2	PIPE ASM-2T,1HB/125HB,19X10,PP	SEE PAGE 4-233
41	520581D1	2	PIPE ASM-2T,1HB/125HB,19X10,PP	SEE PAGE 4-233
42	520582D1	2	PIPE ASM-90D W/1.00HB,12X10,PP	SEE PAGE 4-234
42	520582D1	2	PIPE ASM-90D W/1.00HB,12X10,PP	SEE PAGE 4-234
46	520901D1	1	PIPE ASM-X,W/2125/1HB,11X10,PP	SEE PAGE 4-240
46	520901D1	1	PIPE ASM-X,W/2125/1HB,11X10,PP	SEE PAGE 4-240

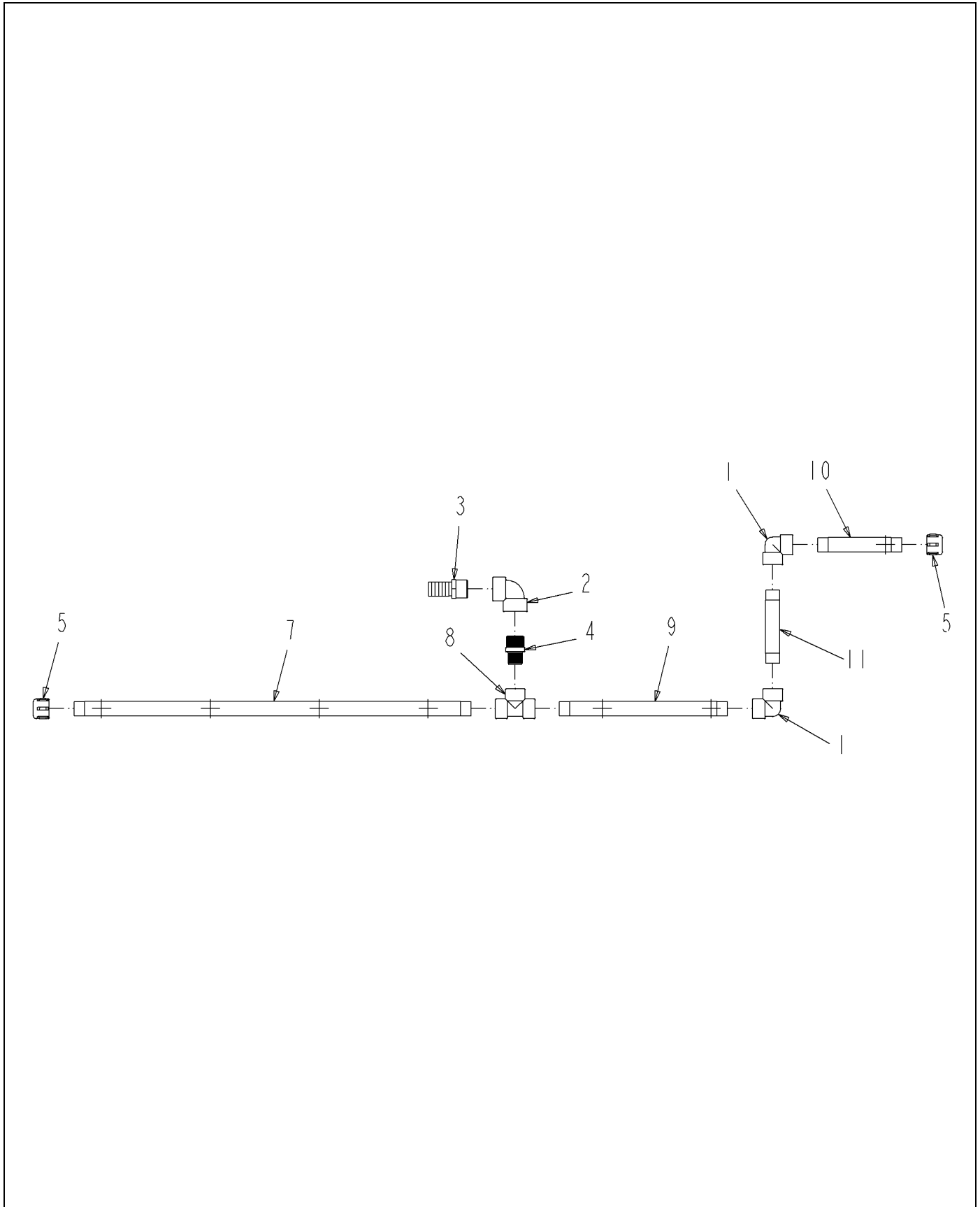


511589D1-01-R483-.TIF

SYS INSTL-PLMB,1.50,120X7,RTRY

ITEM	PART #	QTY	DESCRIPTION	COMMENTS
1	AG000766	4	BARB-HOSE,1.50MNPTX1.50BARB,PP	
2	AG000772	6	GASKET 1.50 EPDM	
3	AG000773	2	GASKET 2.00 EPDM	
4	AG050266	2	COUPLG RED 1.50X 2.00NPT POLYP	
5	AG050271	2	COUPLING-PIPE,1.50NPT,PP	
6	AG051059	2	BARB-HOSE,1.00MNPTX1.00BARB,PP	
7	AG051533	2	BARB-HOSE,1.50MNPTX1.00BARB,PP	
8	AG051888	4	ELBOW 45D 1.50 304SS	
9	AG056289	4	CONNECTOR 2.00FLGX1.25HOSE	
10	AG056785	6	CLAMP 2.00 FLANGE	
11	AG057593	2	CONNECTOR 2.00X1.00HOSE	
12	AG121882	2	MANIFOLD ASM-Y,1.00FP FLG,ELEC	SEE PAGE 2-2
13	AG121883	2	VALVE-BALL,1.00FP FLGXNPT,ELEC	SEE PAGE 4-3
14	AG129187	AR	PIPE SEALANT-FLEX BLACK	
15	AG231204	8	BOLT-U .31-18X1.88X2.63	
16	AG512230	-	HOSE 1.50 2BRD EPDM [BULK: 20.667 FT]	
17	AG515121	8	WASHER 0.25 FL SS REG TYPE-B	
18	AG515122	8	WASHER 0.25 LK SS REG	
19	AG516403	24	NUT 0.31-18NC HEX SS REG NY	
20	AG522893	2	CONNECTOR-2.00FLGX2.00NPT	
21	AG522895	2	CLAMP-WORM SCREW,2.00,SS	
22	AG561231	16	CLAMP 1.06-2.00 HOSE 24HS	
23	AG562054	8	BOLT 0.25-20NCX 0.75 SS HHD	
24	AG562074	32	WASHER 0.31 FL SS REG TYPE-B	
25	AG708300	8	BOLT 0.31-18NCX 3.50 SS HHD	
26	505271D1	1	HARNES INSTL-BSO VLV,7 SECT	SEE PAGE 6-5
27	506452D1	1	BRKT-MTG,KZ VLV,RH	
28	506454D1	2	TUBE-SECTION FEED,1.50,85.00	
29	506455D1	2	TUBE-SECTION FEED,1.50,240.00	
30	511590D1	2	BRKT WLDMT-MTG,Y MANF,120 BM	
31	511763D1	1	BRKT-MTG,KZ VLV,LH	

PIPE ASM-90D W/1HB,7X10,PP,RH

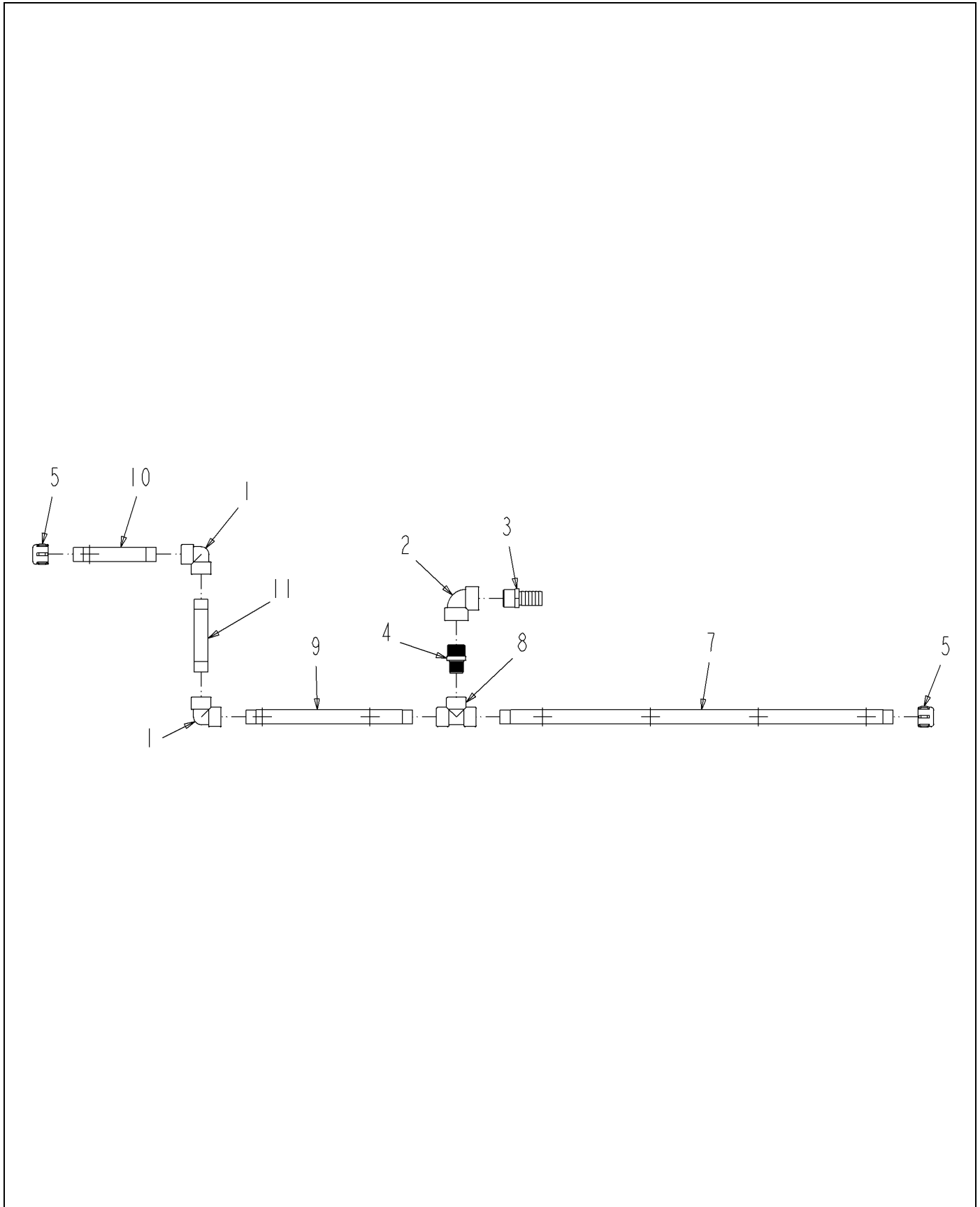


511593D1-01-R483-.TIF

PIPE ASM-90D W/1HB,7X10,PP,RH

ITEM	PART #	QTY	DESCRIPTION	COMMENTS
1	AG051127	2	ELBOW-PIPE,1.00FNPT,90D,PP	
2	AG051128	1	ELBOW-PIPE,1.25FNPT,90D,PP	
3	AG051186	1	BARB-HOSE,1.25MNPTX1.25BARB,PP	
4	AG051437	1	NIPPLE RED 1.25NPTX1.00NPT PP	
5	AG051536	2	CAP-PIPE,1.00NPT PP	
6	AG129187	AR	PIPE SEALANT-FLEX BLACK	
7	AG239935	1	TUBE-POLY,36.44,10IN CTR	
8	AG516405	1	TEE,PIPE,1.00FNPT,PP	
9	511643D1	1	TUBE-POLY,15.44,10IN CTR	
10	511644D1	1	TUBE-POLY, 7.69,10IN CTR	
11	511645D1	1	TUBE-POLY, 6.75,NO HOLES	

PIPE ASM-90D W/1HB,7X10,PP,LH

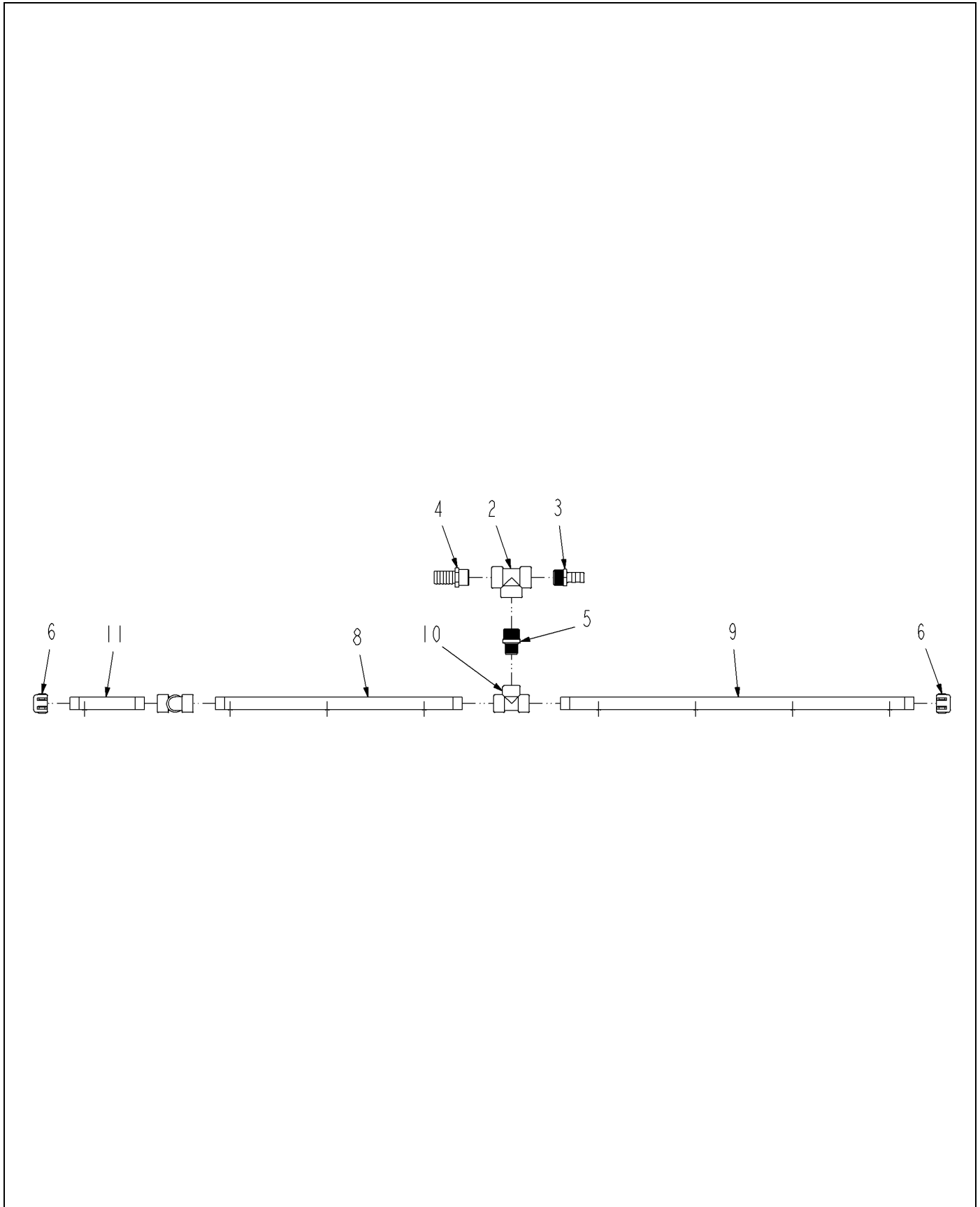


511594D1-01-R483-.TIF

PIPE ASM-90D W/1HB,7X10,PP,LH

ITEM	PART #	QTY	DESCRIPTION	COMMENTS
1	AG051127	2	ELBOW-PIPE,1.00FNPT,90D,PP	
2	AG051128	1	ELBOW-PIPE,1.25FNPT,90D,PP	
3	AG051186	1	BARB-HOSE,1.25MNPTX1.25BARB,PP	
4	AG051437	1	NIPPLE RED 1.25NPTX1.00NPT PP	
5	AG051536	2	CAP-PIPE,1.00NPT PP	
6	AG129187	AR	PIPE SEALANT-FLEX BLACK	
7	AG239935	1	TUBE-POLY,36.44,10IN CTR	
8	AG516405	1	TEE,PIPE,1.00FNPT,PP	
9	511643D1	1	TUBE-POLY,15.44,10IN CTR	
10	511644D1	1	TUBE-POLY, 7.69,10IN CTR	
11	511645D1	1	TUBE-POLY, 6.75,NO HOLES	

PIPE ASM-T W/1.25/1HB,8X10,RH

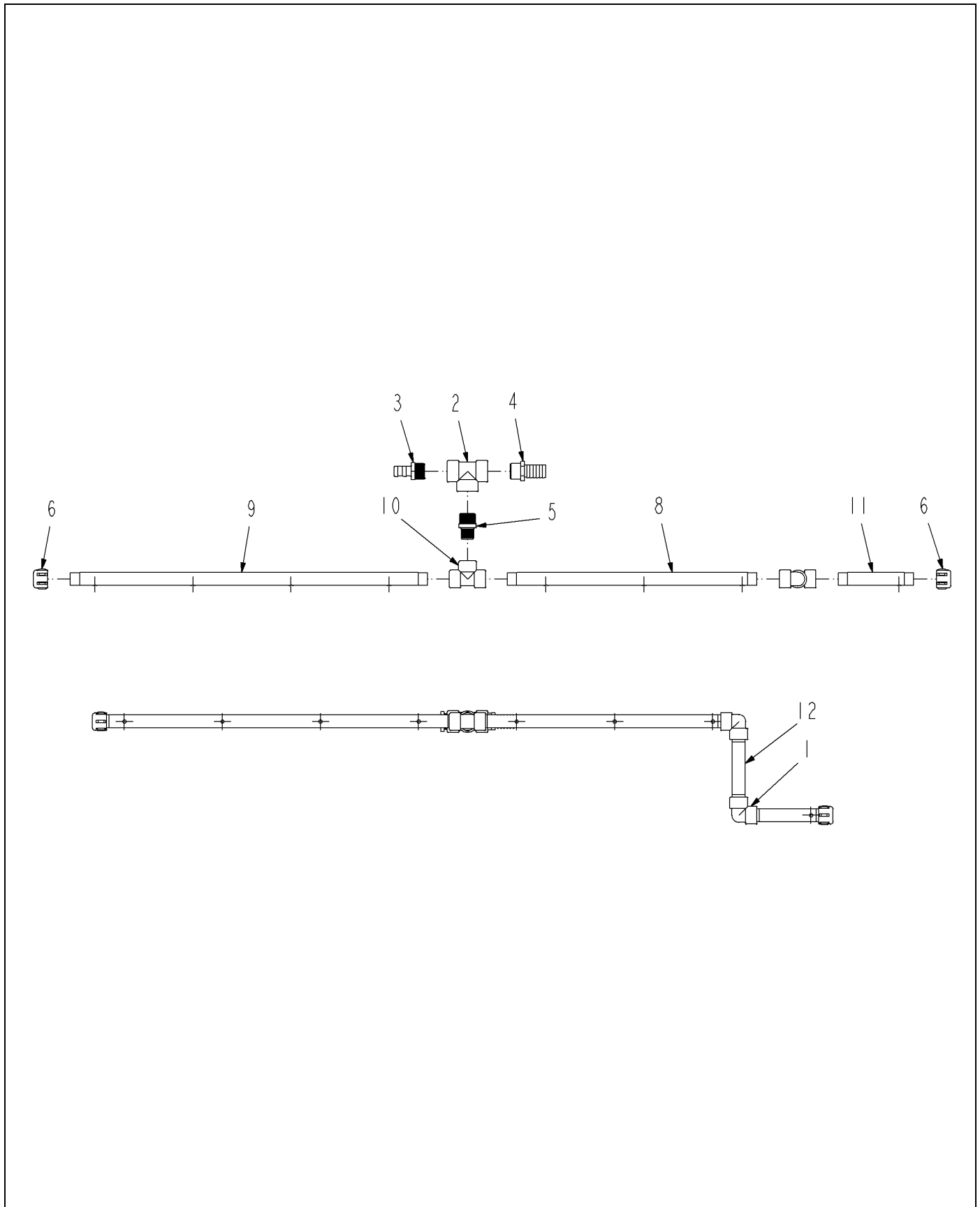


511595D1-01-R483-.TIF

PIPE ASM-T W/1.25/1HB,8X10,RH

ITEM	PART #	QTY	DESCRIPTION	COMMENTS
1	AG051127	2	ELBOW-PIPE,1.00FNPT,90D,PP	
2	AG051162	1	TEE,PIPE,1.25FNPT,PP	
3	AG051185	1	BARB-HOSE,1.25MNPTX1.00BARB,PP	
4	AG051186	1	BARB-HOSE,1.25MNPTX1.25BARB,PP	
5	AG051437	1	NIPPLE RED 1.25NPTX1.00NPT PP	
6	AG051536	2	CAP-PIPE,1.00NPT PP	
7	AG129187	AR	PIPE SEALANT-FLEX BLACK	
8	AG239929	1	TUBE-POLY,25.44,10IN CTR	
9	AG239935	1	TUBE-POLY,36.44,10IN CTR	
10	AG516405	1	TEE,PIPE,1.00FNPT,PP	
11	511644D1	1	TUBE-POLY, 7.69,10IN CTR	
12	511651D1	1	TUBE-POLY, 7.25,NO HOLES	

PIPE ASM-T W/1.25/1HB,8X10,LH

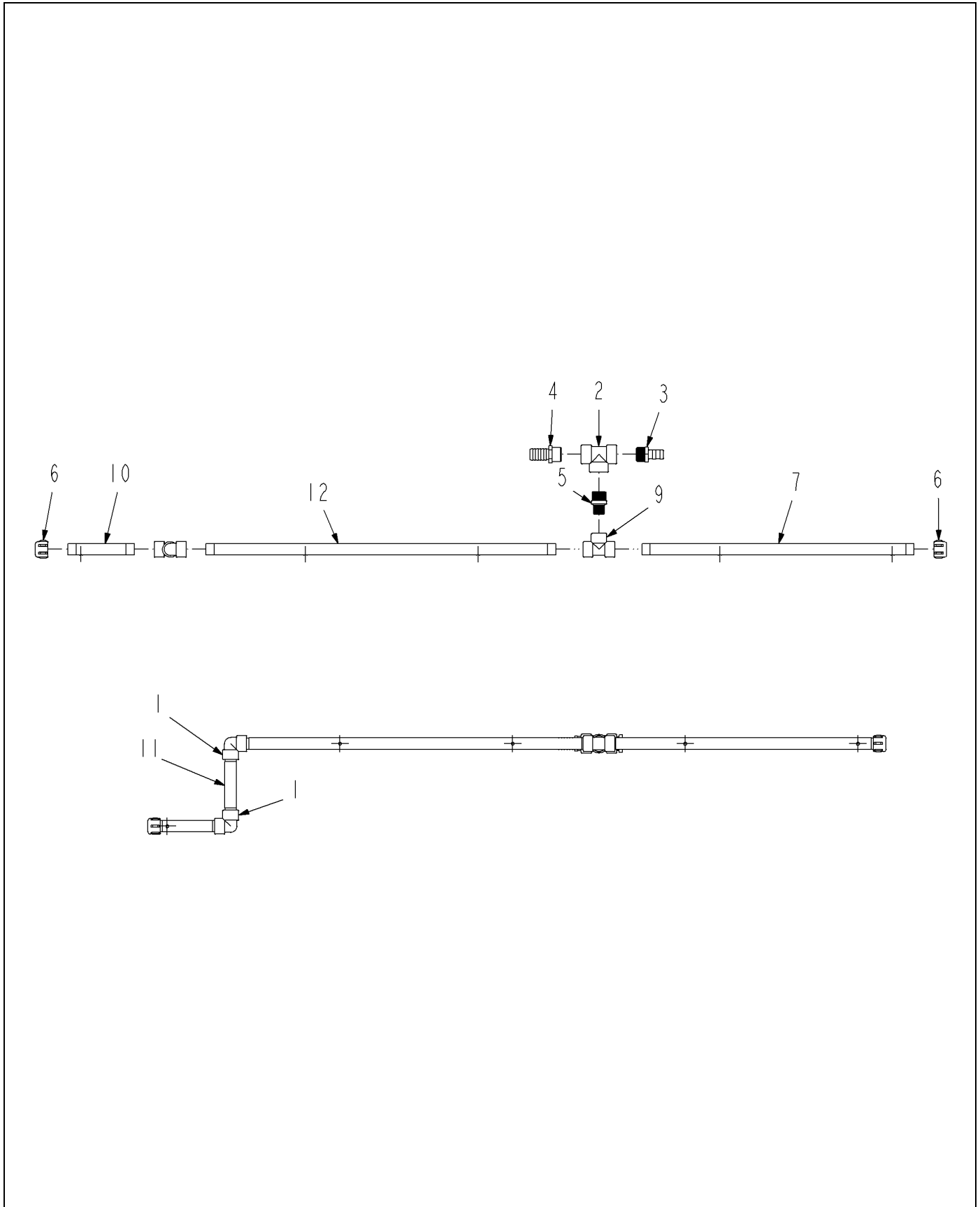


511596D1-01-R483-.TIF

PIPE ASM-T W/1.25/1HB,8X10,LH

ITEM	PART #	QTY	DESCRIPTION	COMMENTS
1	AG051127	2	ELBOW-PIPE,1.00FNPT,90D,PP	
2	AG051162	1	TEE,PIPE,1.25FNPT,PP	
3	AG051185	1	BARB-HOSE,1.25MNPTX1.00BARB,PP	
4	AG051186	1	BARB-HOSE,1.25MNPTX1.25BARB,PP	
5	AG051437	1	NIPPLE RED 1.25NPTX1.00NPT PP	
6	AG051536	2	CAP-PIPE,1.00NPT PP	
7	AG129187	AR	PIPE SEALANT-FLEX BLACK	
8	AG239929	1	TUBE-POLY,25.44,10IN CTR	
9	AG239935	1	TUBE-POLY,36.44,10IN CTR	
10	AG516405	1	TEE,PIPE,1.00FNPT,PP	
11	511644D1	1	TUBE-POLY, 7.69,10IN CTR	
12	511651D1	1	TUBE-POLY, 7.25,NO HOLES	

PIPE ASM-T W/1.25/1HB,5X20,RH

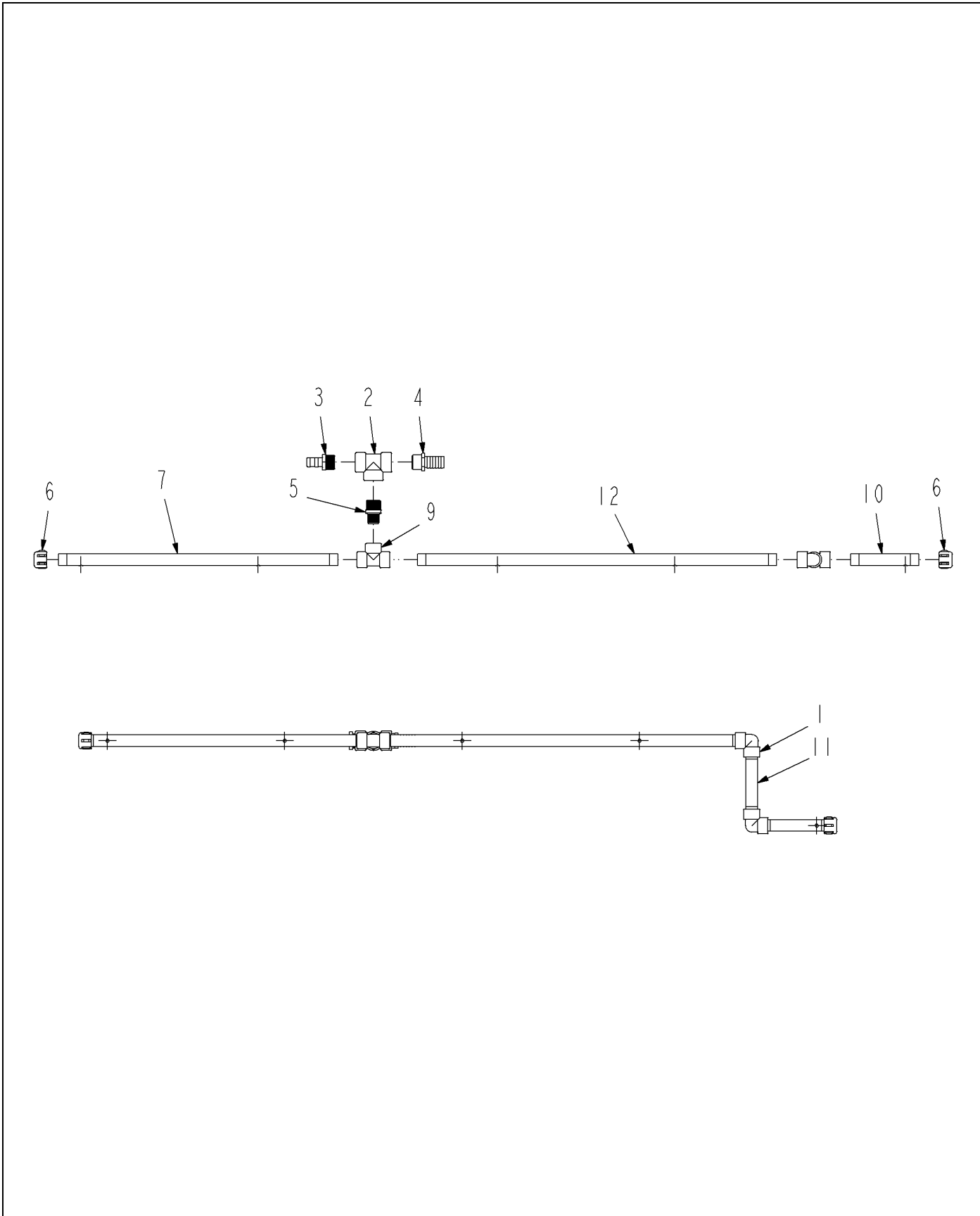


511597D1-01-R483-.TIF

PIPE ASM-T W/1.25/1HB,5X20,RH

ITEM	PART #	QTY	DESCRIPTION	COMMENTS
1	AG051127	2	ELBOW-PIPE,1.00FNPT,90D,PP	
2	AG051162	1	TEE,PIPE,1.25FNPT,PP	
3	AG051185	1	BARB-HOSE,1.25MNPTX1.00BARB,PP	
4	AG051186	1	BARB-HOSE,1.25MNPTX1.25BARB,PP	
5	AG051437	1	NIPPLE RED 1.25NPTX1.00NPT PP	
6	AG051536	2	CAP-PIPE,1.00NPT PP	
7	WR127785	1	TUBE-BOOM,PP,20,31.50	
8	AG129187	AR	PIPE SEALANT-FLEX BLACK	
9	AG516405	1	TEE,PIPE,1.00FNPT,PP	
10	511644D1	1	TUBE-POLY, 7.69,10IN CTR	
11	511651D1	1	TUBE-POLY, 7.25,NO HOLES	
12	511823D1	1	TUBE-POLY,40.50,20IN CTR	

PIPE ASM-T W/1.25/1HB,5X20,LH



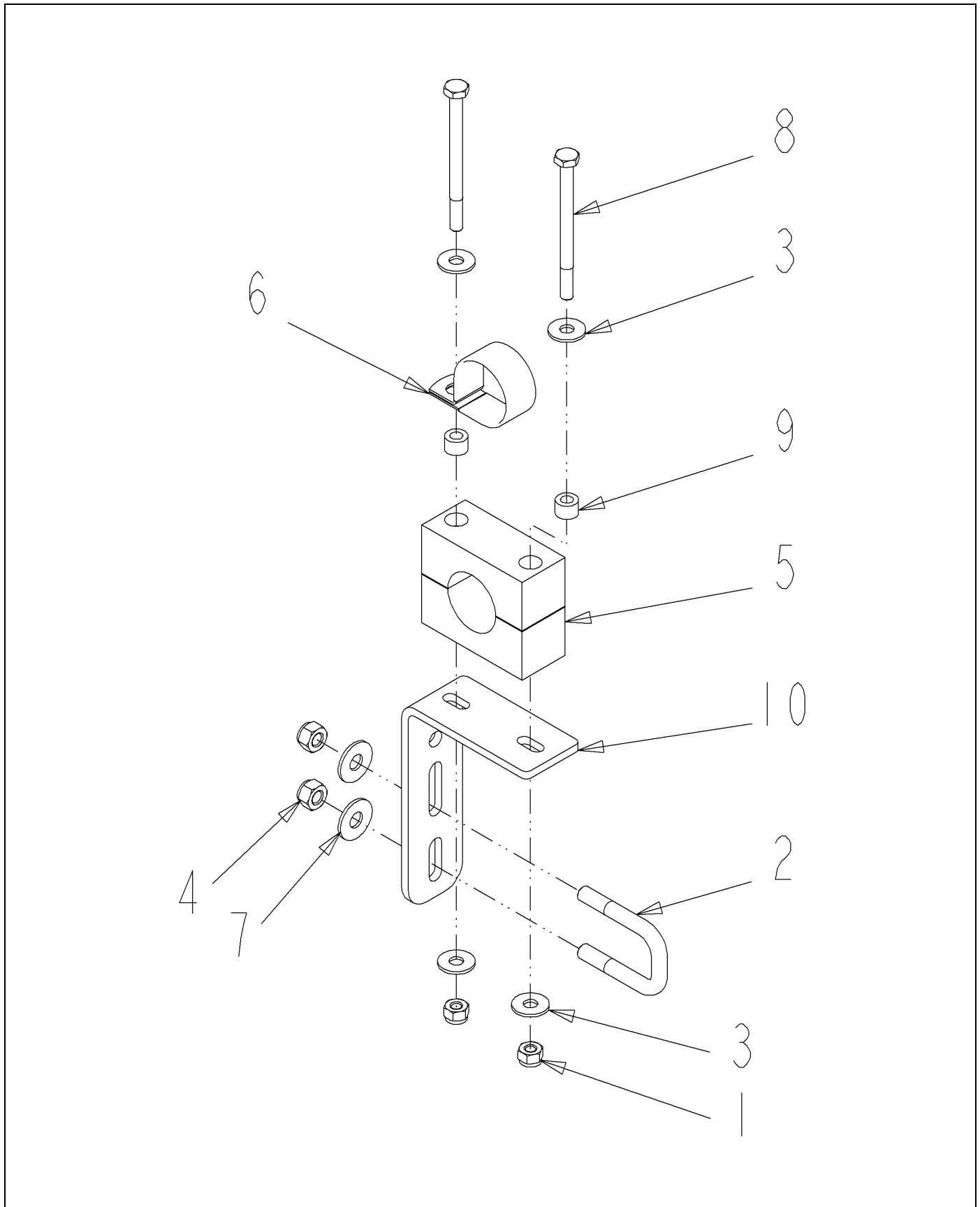
511598D1-01-R483-.TIF

PIPE ASM-T W/1.25/1HB,5X20,LH

ITEM	PART #	QTY	DESCRIPTION	COMMENTS
1	AG051127	2	ELBOW-PIPE,1.00FNPT,90D,PP	
2	AG051162	1	TEE,PIPE,1.25FNPT,PP	
3	AG051185	1	BARB-HOSE,1.25MNPTX1.00BARB,PP	
4	AG051186	1	BARB-HOSE,1.25MNPTX1.25BARB,PP	
5	AG051437	1	NIPPLE RED 1.25NPTX1.00NPT PP	
6	AG051536	2	CAP-PIPE,1.00NPT PP	
7	WR127785	1	TUBE-BOOM,PP,20,31.50	
8	AG129187	AR	PIPE SEALANT-FLEX BLACK	
9	AG516405	1	TEE,PIPE,1.00FNPT,PP	
10	511644D1	1	TUBE-POLY, 7.69,10IN CTR	
11	511651D1	1	TUBE-POLY, 7.25,NO HOLES	
12	511823D1	1	TUBE-POLY,40.50,20IN CTR	

BRKT ASM-L,1.50 STAUFF,PCLP

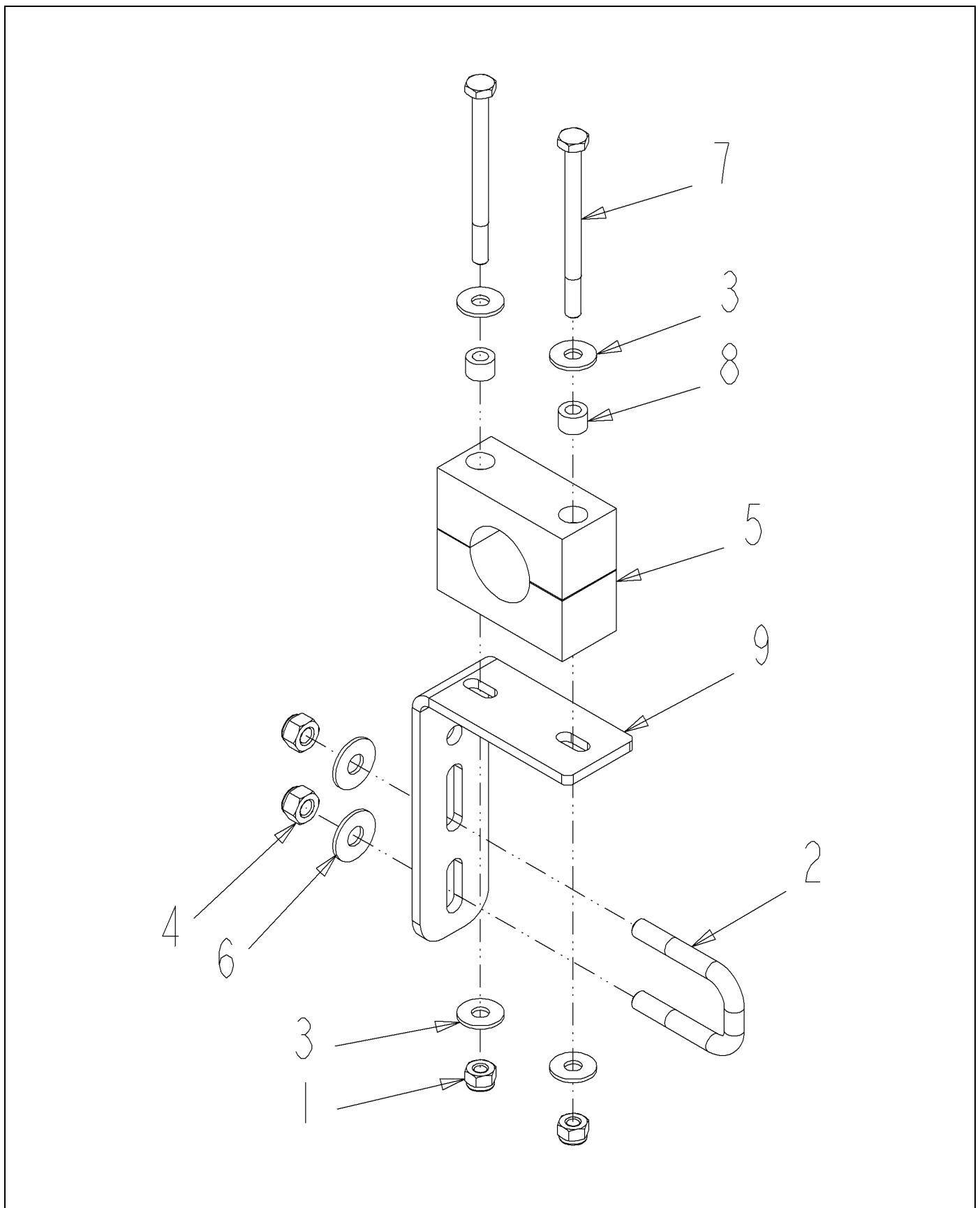
ITEM	PART #	QTY	DESCRIPTION	COMMENTS
1	AG027275	2	NUT 0.25-20NC HEX SS REG NY	
2	AG231204	1	BOLT-U .31-18X1.88X2.63	
3	AG515121	4	WASHER 0.25 FL SS REG TYPE-B	
4	AG516403	2	NUT 0.31-18NC HEX SS REG NY	
5	AG518507	2	BOLT 0.25-20NCX 3.50 SS HHD	
6	AG519180	1	CLAMP 1.50 BLACK POLY	
7	AG523412	1	CLAMP-1.62 DIA,COATED HOSE	
8	AG562074	2	WASHER 0.31 FL SS REG TYPE-B	
9	AG609777	2	INSERT STAUFF SPACER	
10	506786D1	1	BRKT-MTG,SH,CLAMP,STAUFF,1.50	



511602D1-01-R483-.TIF

BRKT ASM-L,LG,STAUFF,PCLP,1.O

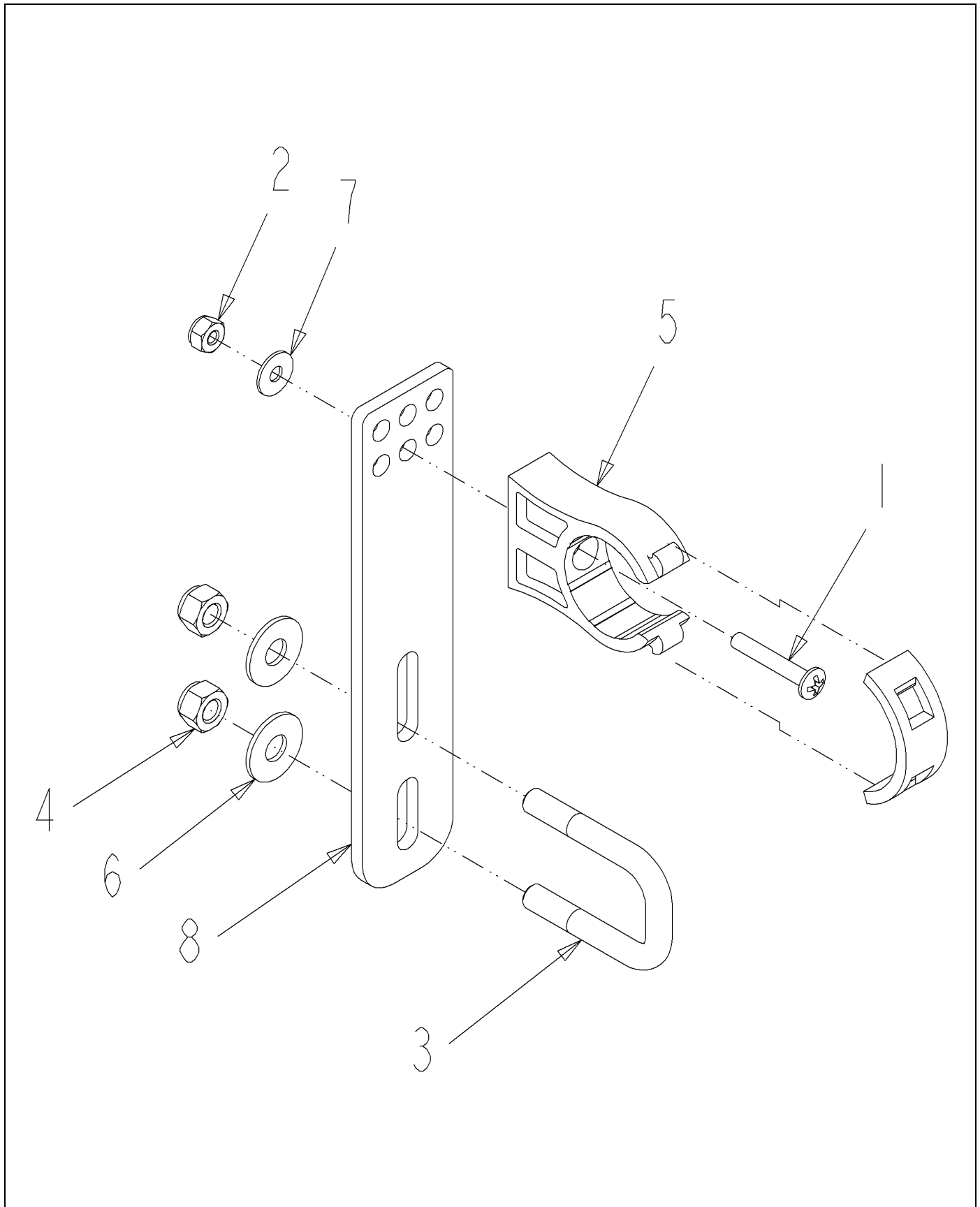
ITEM	PART #	QTY	DESCRIPTION	COMMENTS
1	AG027275	2	NUT 0.25-20NC HEX SS REG NY	
2	WR129144	1	BOLT-U,,31-18X1.06X1.97,SQ,SS	
3	AG515121	4	WASHER 0.25 FL SS REG TYPE-B	
4	AG516403	2	NUT 0.31-18NC HEX SS REG NY	
5	AG519748	1	CLAMP 1.00 PIPE	[A]
6	AG519751	1	CLAMP 1.38 DIA COATED HOSE	
7	AG562074	2	WASHER 0.31 FL SS REG TYPE-B	
8	AG563061	2	BOLT 0.25-20NCX 3.25 SS HHD	
9	AG609777	2	INSERT STAUFF SPACER	
10	509885D1	1	BRKT-L,STANDOFF,STAUFF	
	FOOTNOTE [A]		2 INSERTS AND 2 CLAMP MAKE UP 1 PART. BOLT - AG563061, WASHER - AG515121, NUT - AG027275,	



511603D1-01-R483-.TIF

BRKT ASM-L,LG,STAUFF,REV 1.00U

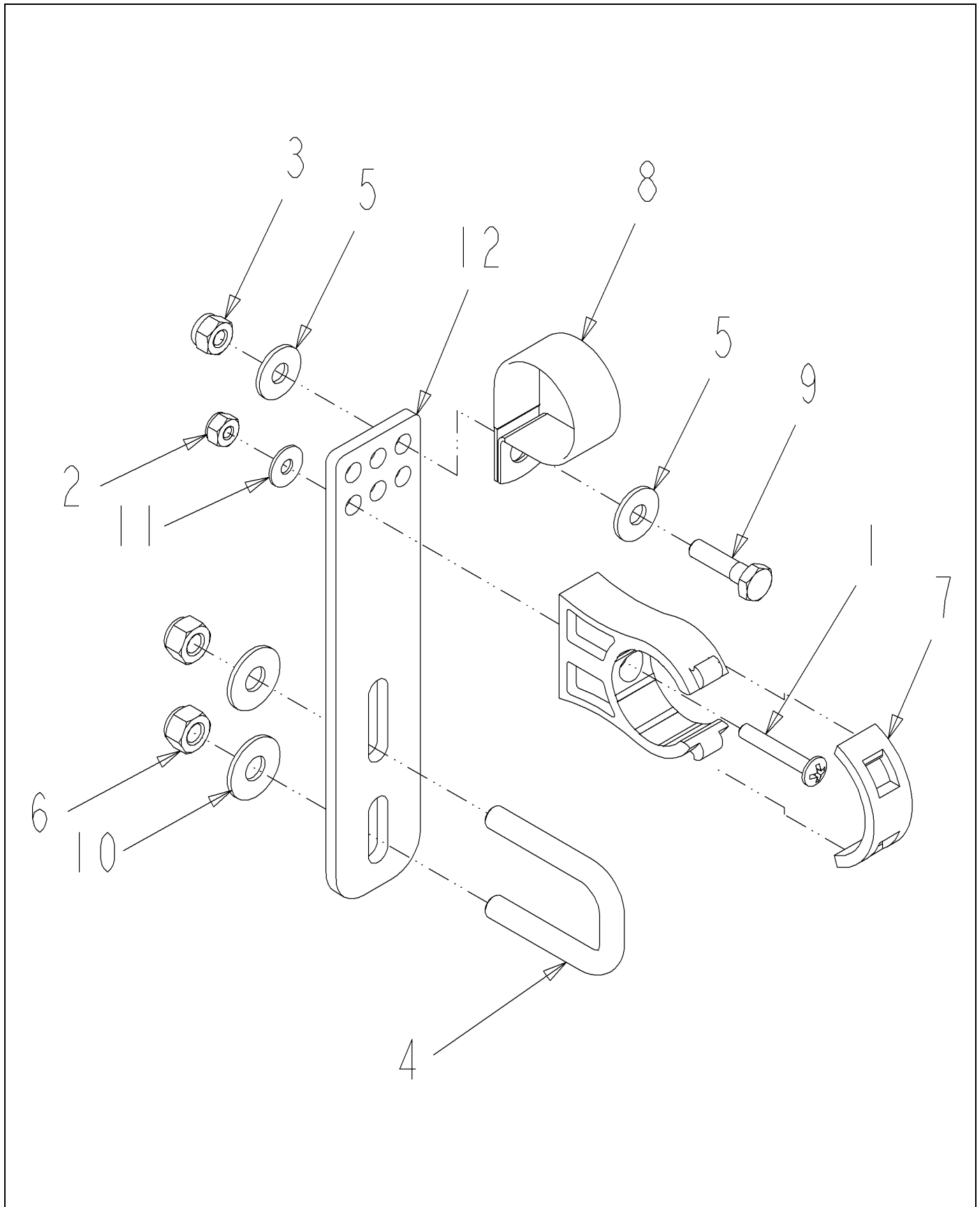
ITEM	PART #	QTY	DESCRIPTION	COMMENTS
1	AG027275	2	NUT 0.25-20NC HEX SS REG NY	
2	WR129144	1	BOLT-U,,31-18X1.06X1.97,SQ,SS	
3	AG515121	4	WASHER 0.25 FL SS REG TYPE-B	
4	AG516403	2	NUT 0.31-18NC HEX SS REG NY	
5	AG519748	1	CLAMP 1.00 PIPE	[A]
6	AG562074	2	WASHER 0.31 FL SS REG TYPE-B	
7	AG563061	2	BOLT 0.25-20NCX 3.25 SS HHD	
8	AG609777	2	INSERT STAUFF SPACER	
9	509885D1	1	BRKT-L,STANDOFF,STAUFF	
	FOOTNOTE [A]		2 INSERTS AND 2 CLAMP MAKE UP 1 PART. BOLT - AG563061, WASHER - AG515121, NUT - AG027275,	



511604D1-01-R483-.TIF

BRKT ASM-STR,LG,IPS,REV 1.00U

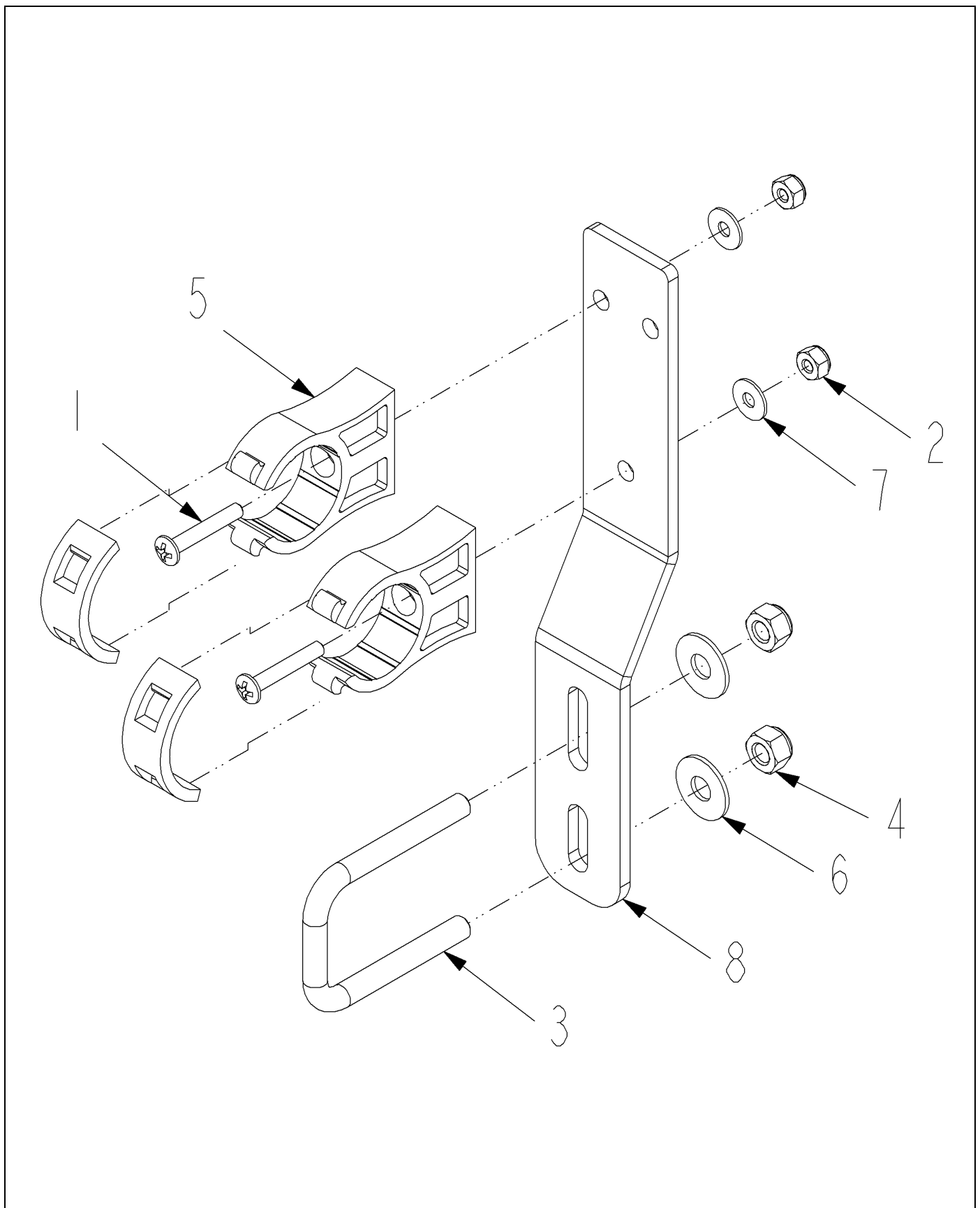
ITEM	PART #	QTY	DESCRIPTION	COMMENTS
1	AG027273	1	SCREW 10-24X 1.25 PHD PHILSS(P	
2	AG027274	1	NUT #10-24NC HEX SS REG NY	
3	WR129144	1	BOLT-U,,.31-18X1.06X1.97,SQ,SS	
4	AG516403	2	NUT 0.31-18NC HEX SS REG NY	
5	AG519749	1	CLAMP 1.00 IPS POLY	
6	AG562074	2	WASHER 0.31 FL SS REG TYPE-B	
7	AG562082	1	WASHER #10 FL SS REG TYPE-B	
8	511432D1	1	BRKT-STR,LG STANDOFF	



511605D1-01-R483-.TIF

BRKT ASM-STR,LG,IPS/PCLP,1.00U

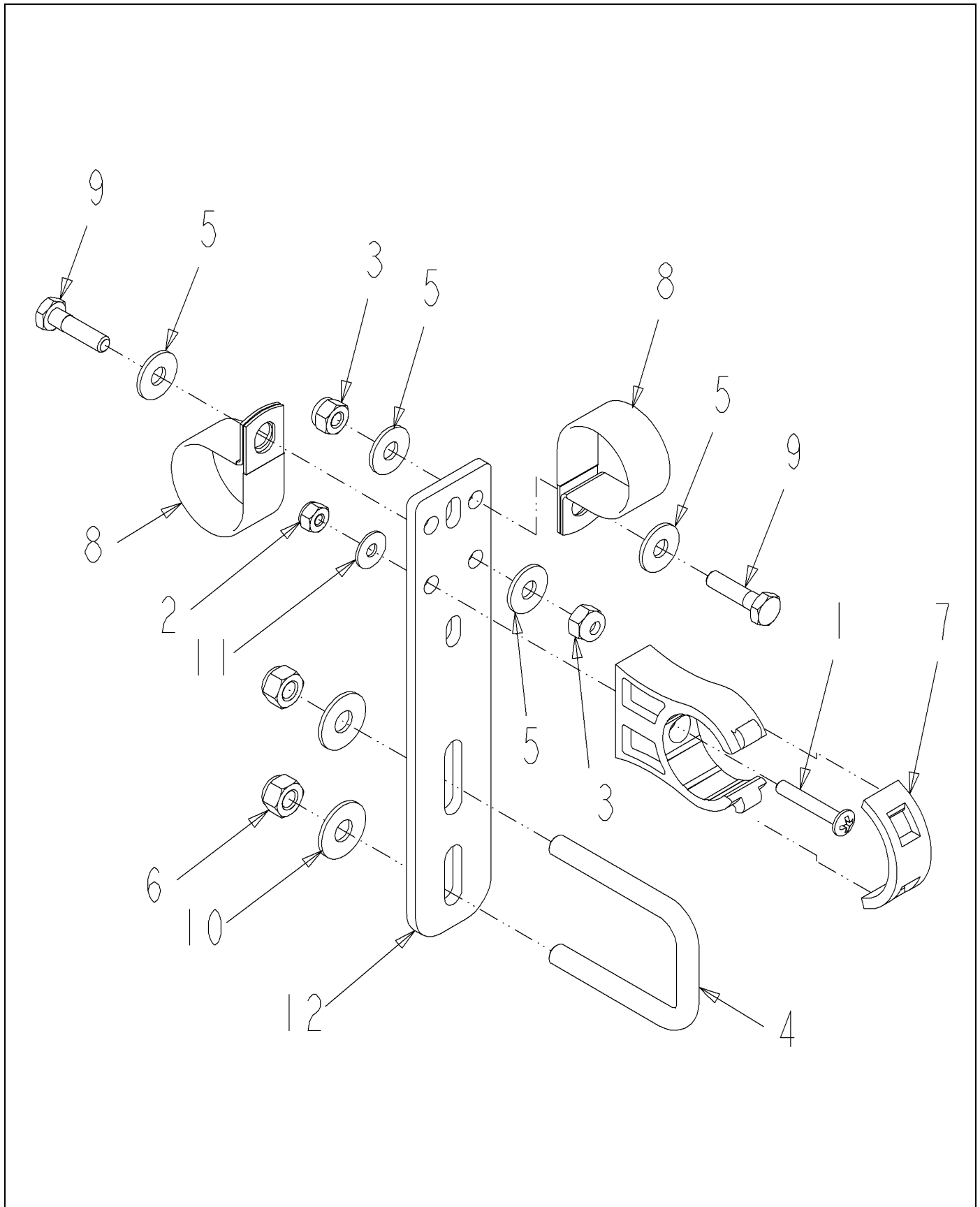
ITEM	PART #	QTY	DESCRIPTION	COMMENTS
1	AG027273	1	SCREW 10-24X 1.25 PHD PHILSS(P	
2	AG027274	1	NUT #10-24NC HEX SS REG NY	
3	AG027275	1	NUT 0.25-20NC HEX SS REG NY	
4	WR129144	1	BOLT-U,.31-18X1.06X1.97,SQ,SS	
5	AG515121	2	WASHER 0.25 FL SS REG TYPE-B	
6	AG516403	2	NUT 0.31-18NC HEX SS REG NY	
7	AG519749	1	CLAMP 1.00 IPS POLY	
8	AG519751	1	CLAMP 1.38 DIA COATED HOSE	
9	AG562064	1	BOLT 0.25-20NCX 1.00 SS HHD	
10	AG562074	2	WASHER 0.31 FL SS REG TYPE-B	
11	AG562082	1	WASHER #10 FL SS REG TYPE-B	
12	511432D1	1	BRKT-STR,LG STANDOFF	



511617D1-01-R483-.TIF

BRKT ASM-Z,LG,2XIPS

ITEM	PART #	QTY	DESCRIPTION	COMMENTS
1	AG027273	2	SCREW 10-24X 1.25 PHD PHILSS(P	
2	AG027274	2	NUT #10-24NC HEX SS REG NY	
3	AG231204	1	BOLT-U .31-18X1.88X2.63	
4	AG516403	2	NUT 0.31-18NC HEX SS REG NY	
5	AG519749	2	CLAMP 1.00 IPS POLY	
6	AG562074	2	WASHER 0.31 FL SS REG TYPE-B	
7	AG562082	2	WASHER #10 FL SS REG TYPE-B	
8	509882D1	1	BRKT-Z,STANDOFF,LG	

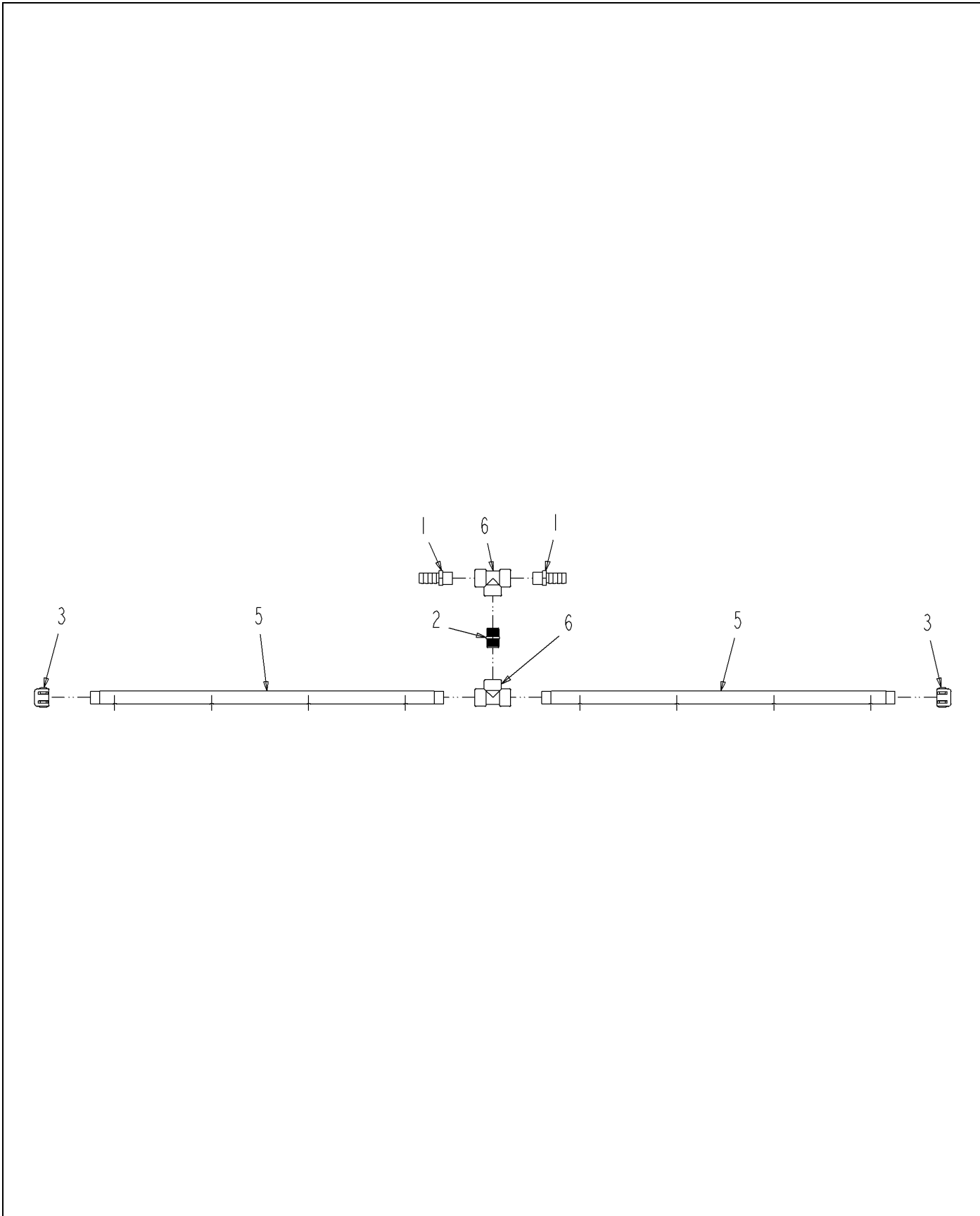


511624D1-01-R483-.TIF

BRKT ASM-STR,XLG,IPS,2XPCLP

ITEM	PART #	QTY	DESCRIPTION	COMMENTS
1	AG027273	1	SCREW 10-24X 1.25 PHD PHILSS(P	
2	AG027274	1	NUT #10-24NC HEX SS REG NY	
3	AG027275	2	NUT 0.25-20NC HEX SS REG NY	
4	AG231204	1	BOLT-U .31-18X1.88X2.63	
5	AG515121	4	WASHER 0.25 FL SS REG TYPE-B	
6	AG516403	2	NUT 0.31-18NC HEX SS REG NY	
7	AG519749	1	CLAMP 1.00 IPS POLY	
8	AG519751	2	CLAMP 1.38 DIA COATED HOSE	
9	AG562064	2	BOLT 0.25-20NCX 1.00 SS HHD	
10	AG562074	2	WASHER 0.31 FL SS REG TYPE-B	
11	AG562082	1	WASHER #10 FL SS REG TYPE-B	
12	511687D1	1	BRKT-STR,XLG,STANDOFF	

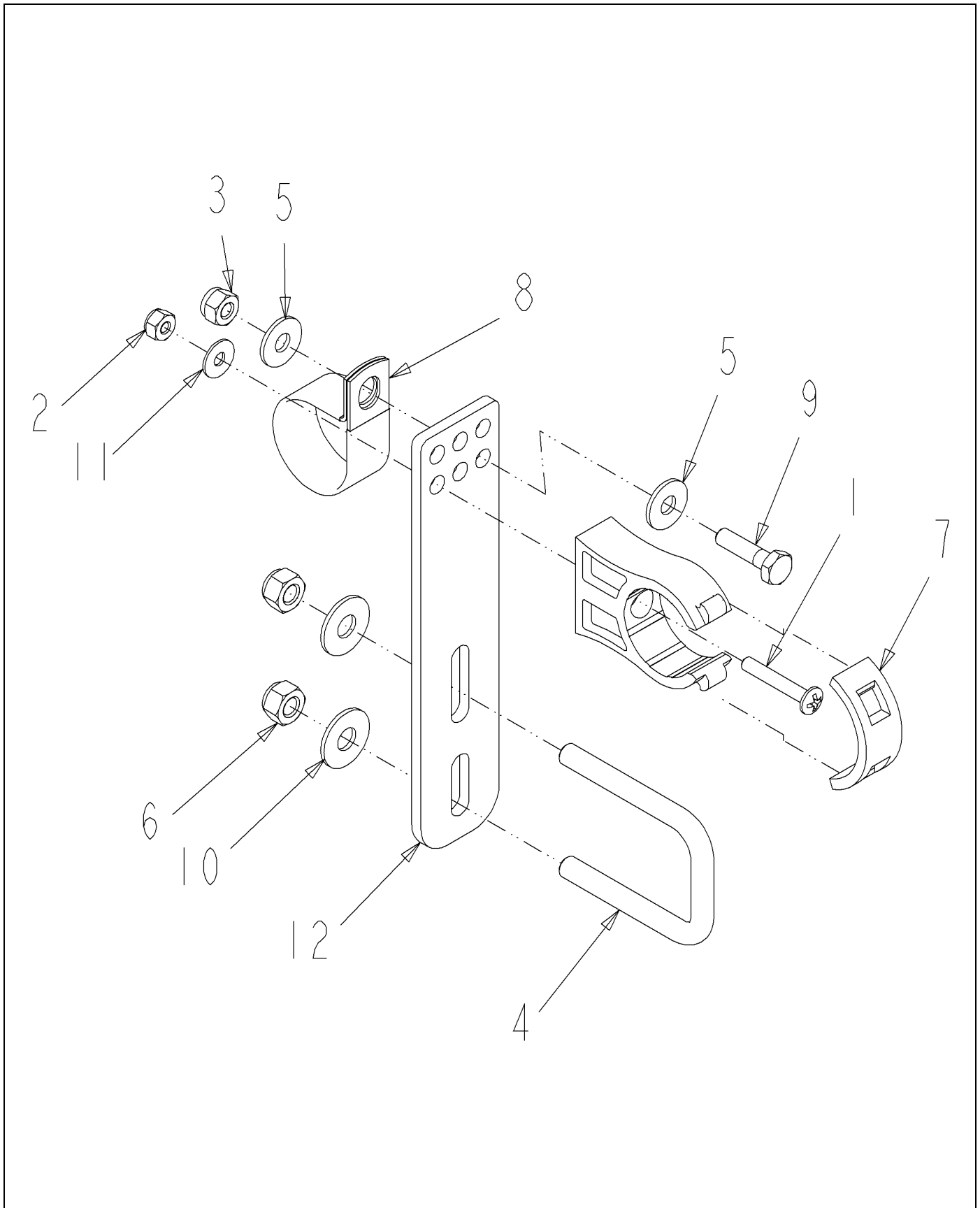
PIPE ASM-T W/2 1.00HB,8X10,PP



511672D1-01-R483-.TIF

PIPE ASM-T W/2 1.00HB,8X10,PP

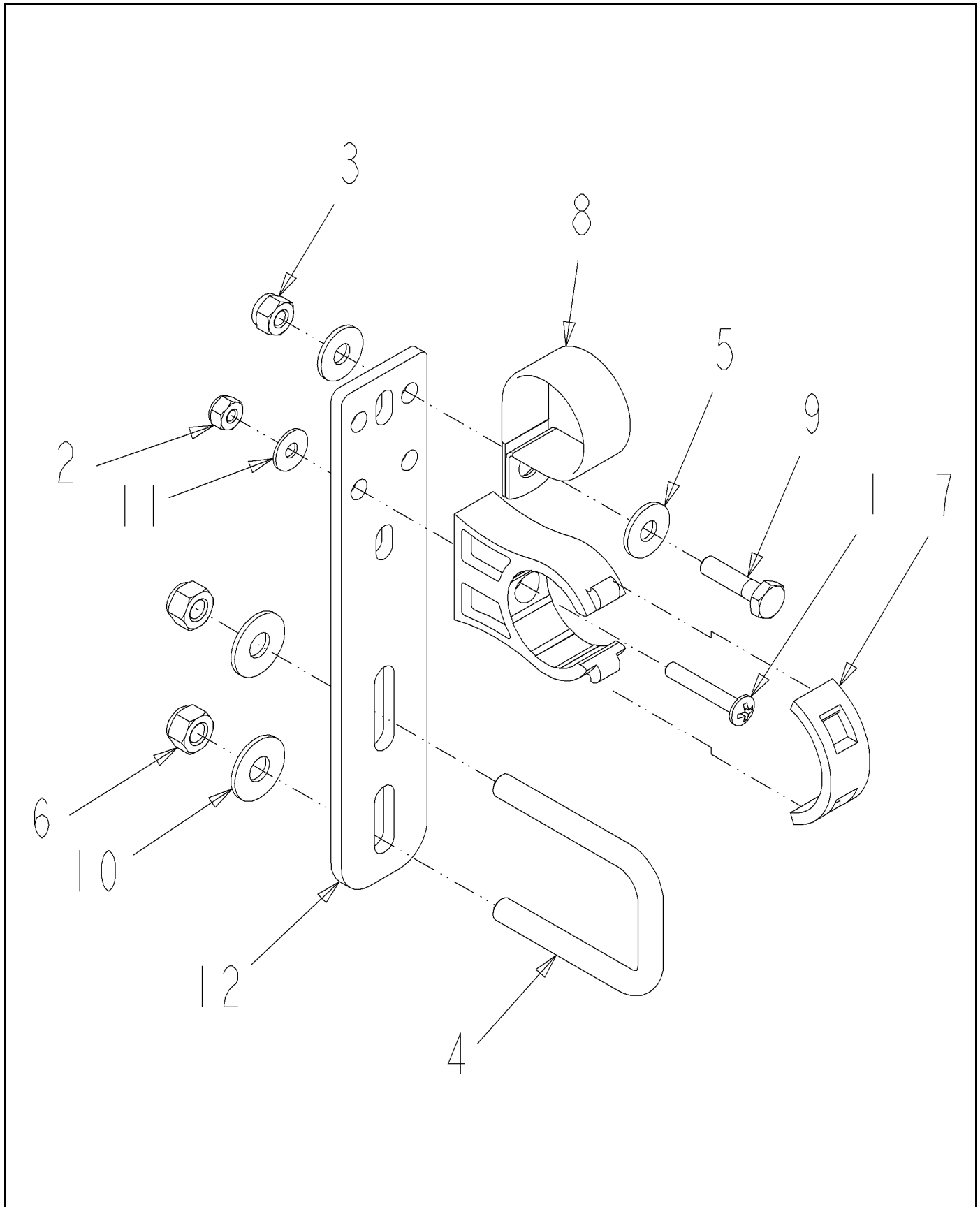
ITEM	PART #	QTY	DESCRIPTION	COMMENTS
1	AG051059	2	BARB-HOSE,1.00MNPTX1.00BARB,PP	
2	AG051153	1	NIPPLE-PIPE,1.00NPTXCLS,PP	
3	AG051536	2	CAP-PIPE,1.00NPT PP	
4	AG129187	AR	PIPE SEALANT-FLEX BLACK	
5	AG239935	2	TUBE-POLY,36.44,10IN CTR	
6	AG516405	2	TEE,PIPE,1.00FNPT,PP	



511675D1-01-R483-.TIF

BRKT ASM-STR,LG,IPS,1.25 PCLP

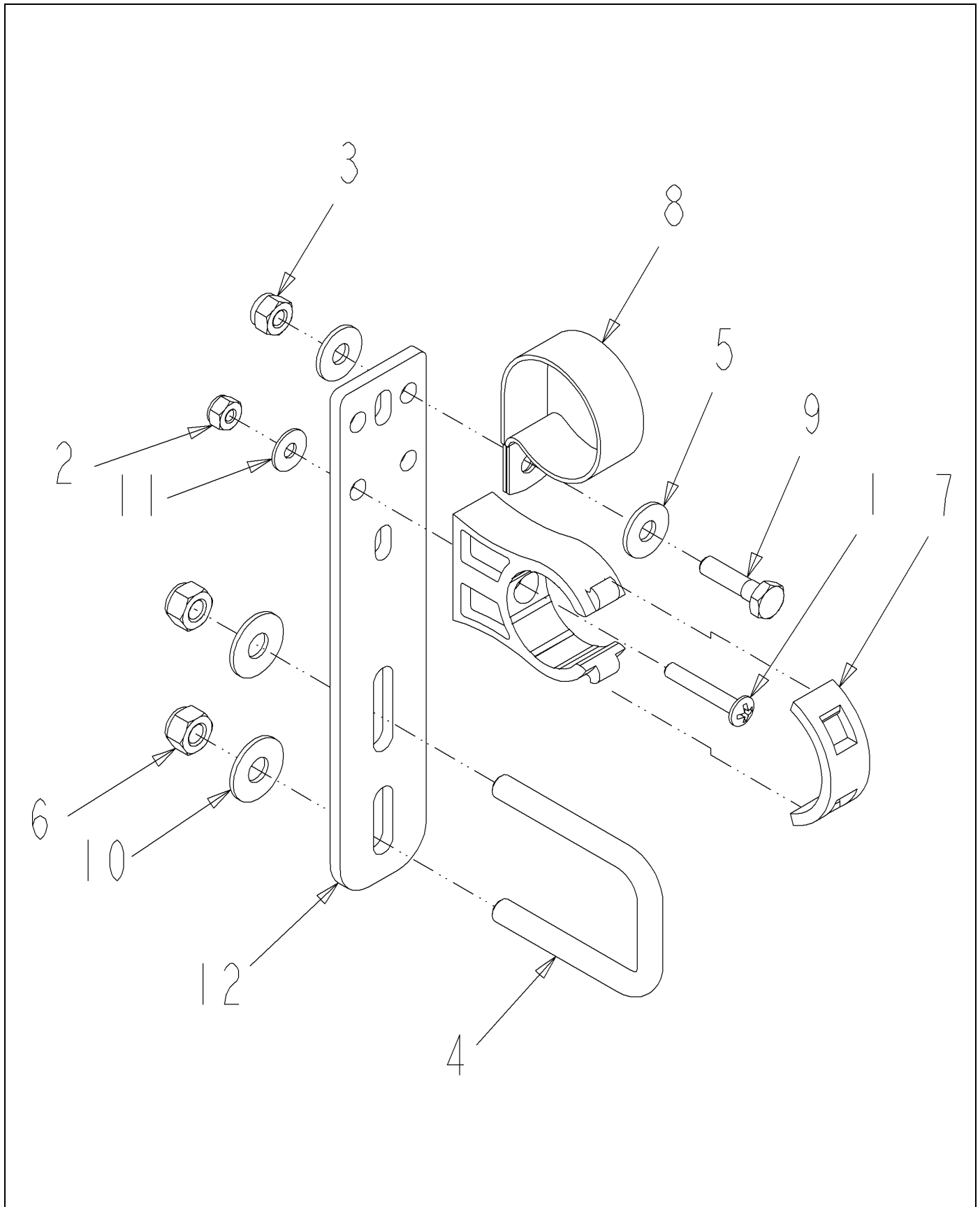
ITEM	PART #	QTY	DESCRIPTION	COMMENTS
1	AG027273	1	SCREW 10-24X 1.25 PHD PHILSS(P	
2	AG027274	1	NUT #10-24NC HEX SS REG NY	
3	AG027275	1	NUT 0.25-20NC HEX SS REG NY	
4	AG231204	1	BOLT-U .31-18X1.88X2.63	
5	AG515121	2	WASHER 0.25 FL SS REG TYPE-B	
6	AG516403	2	NUT 0.31-18NC HEX SS REG NY	
7	AG519749	1	CLAMP 1.00 IPS POLY	
8	AG519751	1	CLAMP 1.38 DIA COATED HOSE	
9	AG562064	1	BOLT 0.25-20NCX 1.00 SS HHD	
10	AG562074	2	WASHER 0.31 FL SS REG TYPE-B	
11	AG562082	1	WASHER #10 FL SS REG TYPE-B	
12	511432D1	1	BRKT-STR,LG STANDOFF	



511688D1-01-R483-.TIF

BRKT ASM-STR,XLG,IPS,PCLP

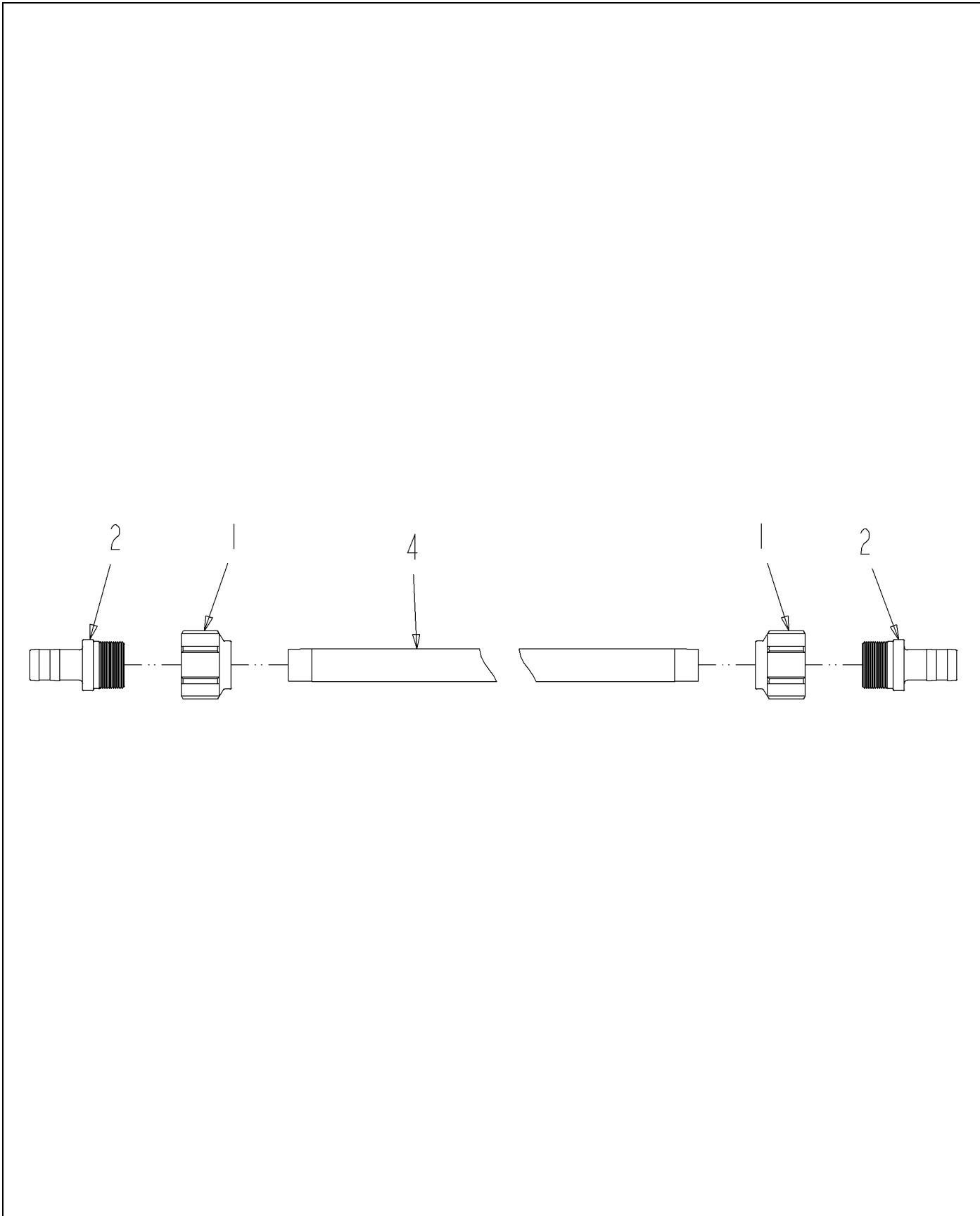
ITEM	PART #	QTY	DESCRIPTION	COMMENTS
1	AG027273	1	SCREW 10-24X 1.25 PHD PHILSS(P	
2	AG027274	1	NUT #10-24NC HEX SS REG NY	
3	AG027275	1	NUT 0.25-20NC HEX SS REG NY	
4	AG231204	1	BOLT-U .31-18X1.88X2.63	
5	AG515121	2	WASHER 0.25 FL SS REG TYPE-B	
6	AG516403	2	NUT 0.31-18NC HEX SS REG NY	
7	AG519749	1	CLAMP 1.00 IPS POLY	
8	AG519751	1	CLAMP 1.38 DIA COATED HOSE	
9	AG562064	1	BOLT 0.25-20NCX 1.00 SS HHD	
10	AG562074	2	WASHER 0.31 FL SS REG TYPE-B	
11	AG562082	1	WASHER #10 FL SS REG TYPE-B	
12	511687D1	1	BRKT-STR,XLG,STANDOFF	



511789D1-01-R483-.TIF

BRKT ASM-STR,XLG,IPS,1.25 PCLP

ITEM	PART #	QTY	DESCRIPTION	COMMENTS
1	AG027273	1	SCREW 10-24X 1.25 PHD PHILSS(P	
2	AG027274	1	NUT #10-24NC HEX SS REG NY	
3	AG027275	1	NUT 0.25-20NC HEX SS REG NY	
4	AG231204	1	BOLT-U .31-18X1.88X2.63	
5	AG515121	2	WASHER 0.25 FL SS REG TYPE-B	
6	AG516403	2	NUT 0.31-18NC HEX SS REG NY	
7	AG519749	1	CLAMP 1.00 IPS POLY	
8	AG519751	1	CLAMP 1.38 DIA COATED HOSE	
9	AG562064	1	BOLT 0.25-20NCX 1.00 SS HHD	
10	AG562074	2	WASHER 0.31 FL SS REG TYPE-B	
11	AG562082	1	WASHER #10 FL SS REG TYPE-B	
12	511687D1	1	BRKT-STR,XLG,STANDOFF	

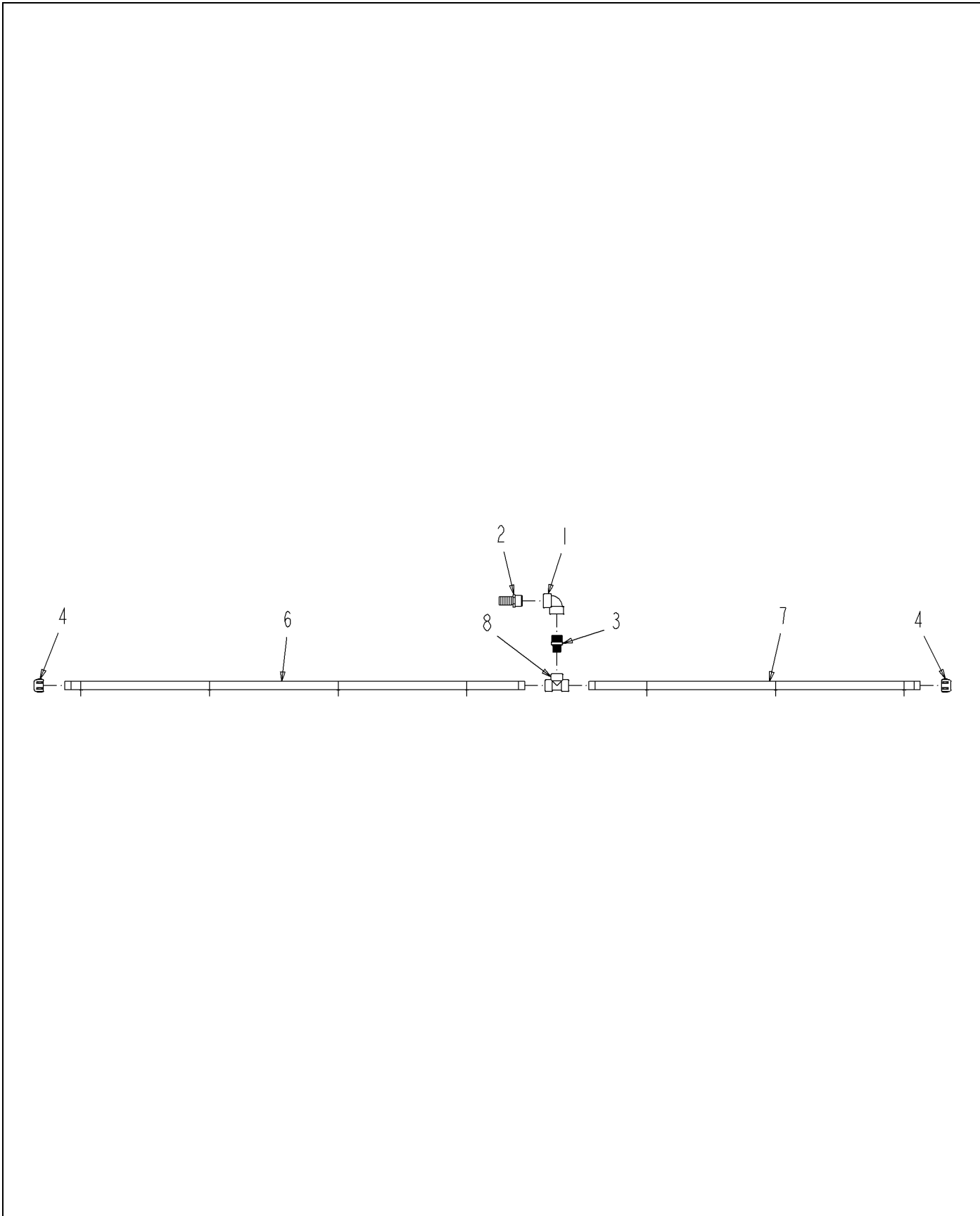


511820D1-01-R483-.TIF

PIPE ASM-W/2 1.00HB,102.00,PP

ITEM	PART #	QTY	DESCRIPTION	COMMENTS
1	AG050262	2	COUPLG RED 1.00X 1.50NPT POLYP	
2	AG051534	2	BARB-HOSE,1.50MNPTX1.25BARB,PP	
3	AG129187	AR	PIPE SEALANT-FLEX BLACK	
4	511821D1	1	TUBE-SECTION FEED,1.00X102.00	

PIPE ASM-90D W/1.00HB,7X20,PP

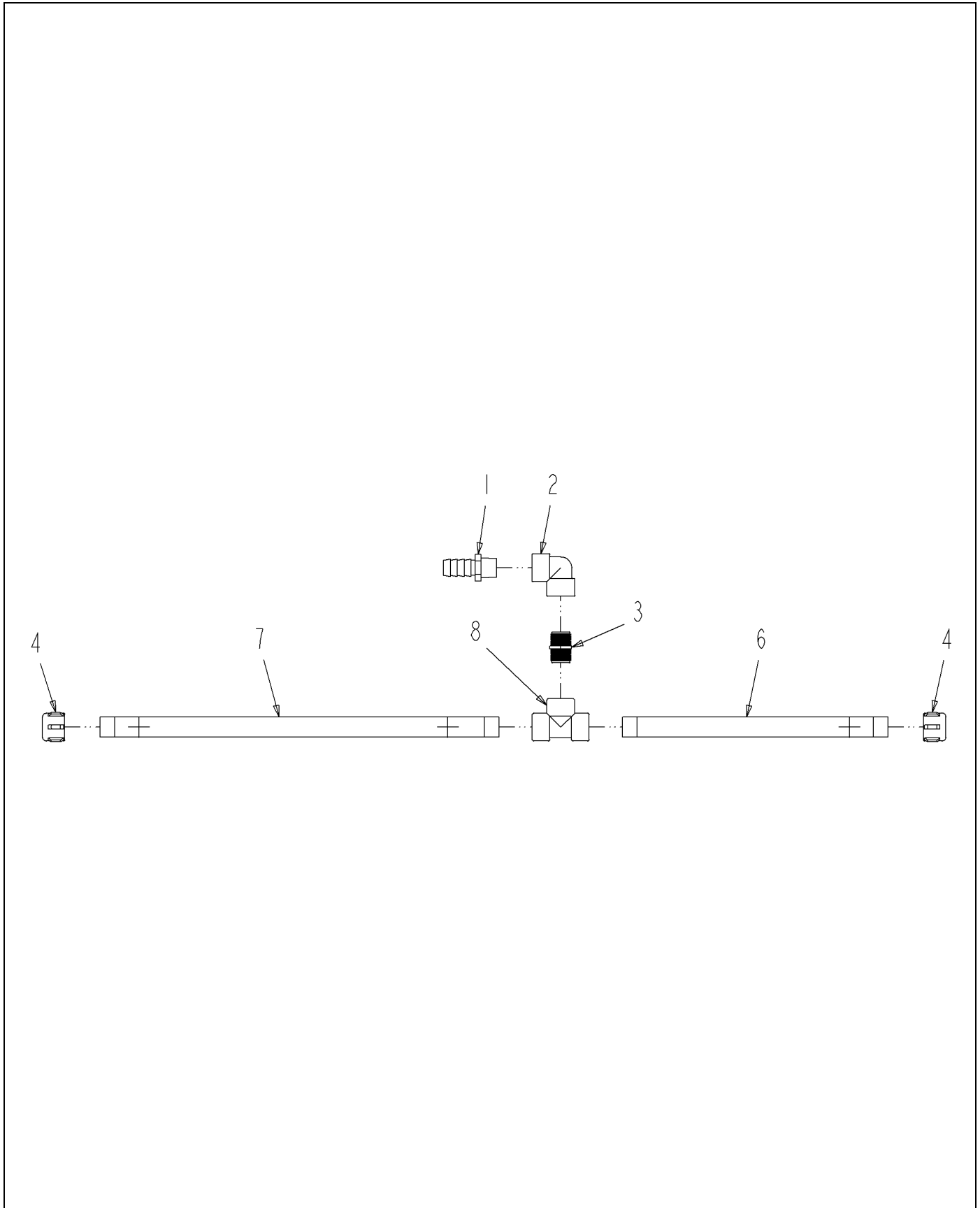


511822D1-01-R483-.TIF

PIPE ASM-90D W/1.00HB,7X20,PP

ITEM	PART #	QTY	DESCRIPTION	COMMENTS
1	AG051128	1	ELBOW-PIPE,1.25FNPT,90D,PP	
2	AG051186	1	BARB-HOSE,1.25MNPTX1.25BARB,PP	
3	AG051437	1	NIPPLE RED 1.25NPTX1.00NPT PP	
4	AG051536	2	CAP-PIPE,1.00NPT PP	
5	AG129187	AR	PIPE SEALANT-FLEX BLACK	
6	AG234462	1	TUBE 71.50 BOOM	
7	AG239721	1	TUBE-51.50,POLY	
8	AG516405	1	TEE,PIPE,1.00FNPT,PP	

PIPE ASM-90D W/1HB,3X20,PP,RH

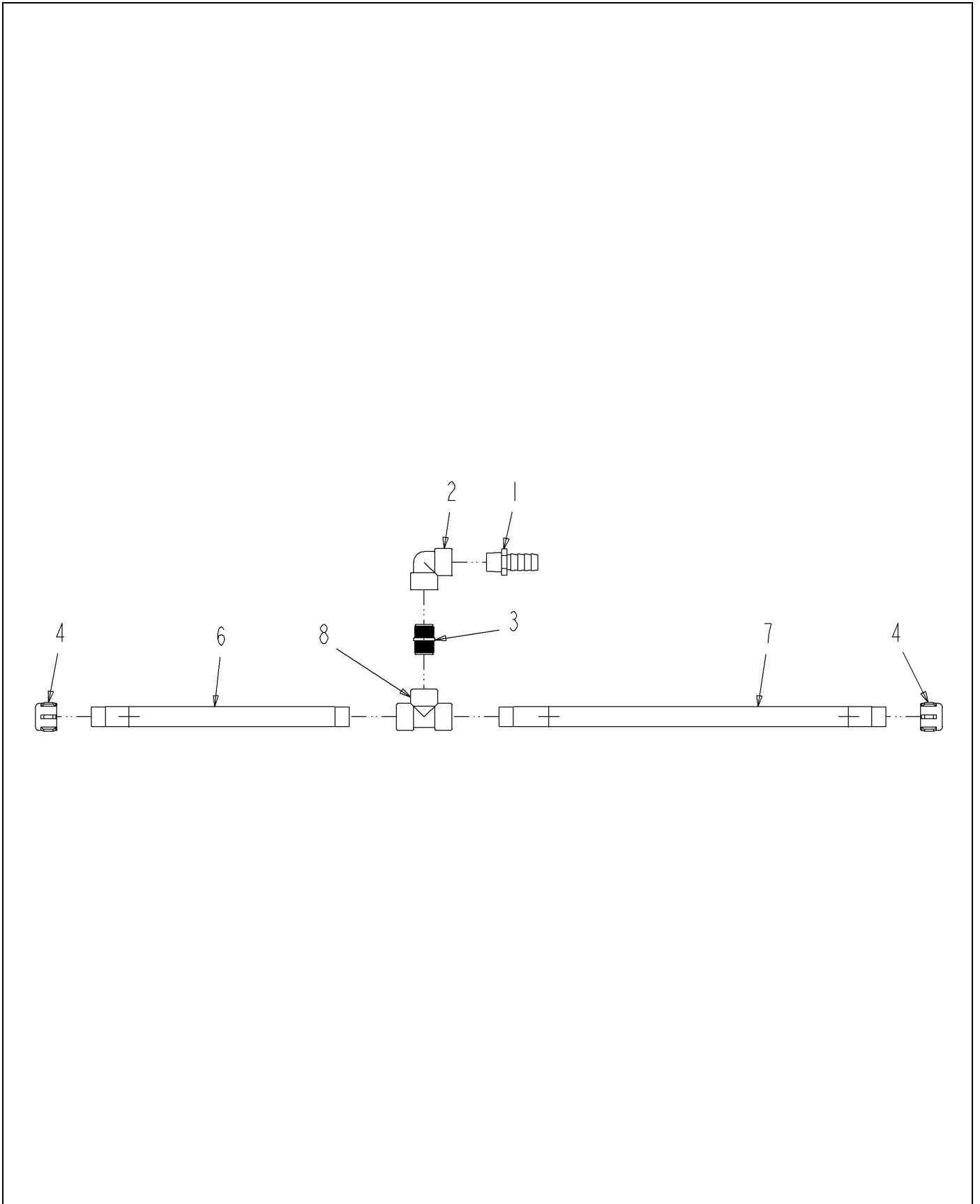


512412D1-01-R483-.TIF

PIPE ASM-90D W/1HB,3X20,PP,RH

ITEM	PART #	QTY	DESCRIPTION	COMMENTS
1	AG051059	1	BARB-HOSE,1.00MNPTX1.00BARB,PP	
2	AG051127	1	ELBOW-PIPE,1.00FNPT,90D,PP	
3	AG051153	1	NIPPLE-PIPE,1.00NPTXCLS,PP	
4	AG051536	2	CAP-PIPE,1.00NPT PP	
5	AG129187	AR	PIPE SEALANT-FLEX BLACK	
6	AG239722	1	TUBE-17.19,POLY	
7	AG239723	1	TUBE-25.81,POLY	
8	AG516405	1	TEE,PIPE,1.00FNPT,PP	

PIPE ASM-90D W/1HB,3X20,PP,LH

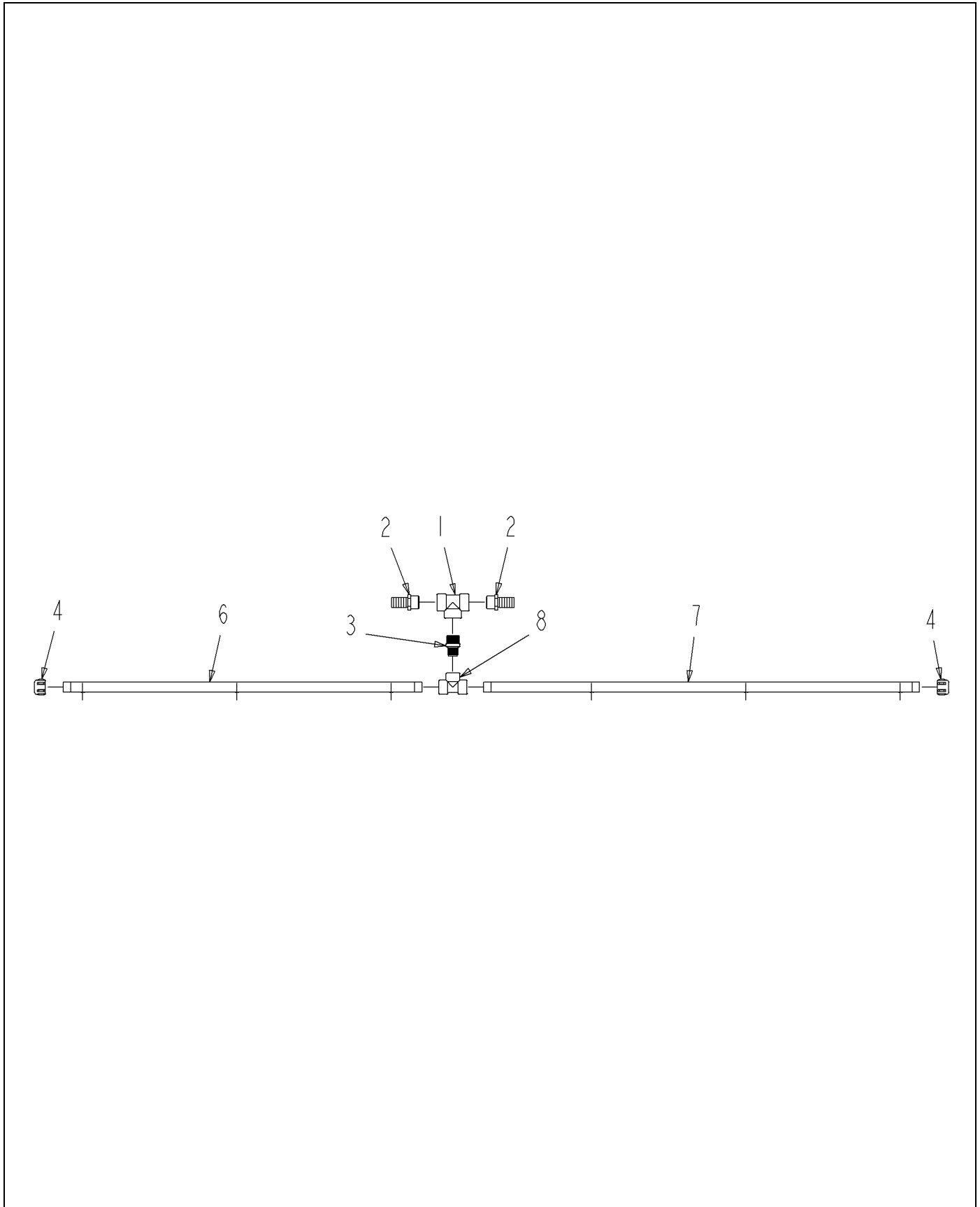


512413D1-01-R483-.TIF

PIPE ASM-90D W/1HB,3X20,PP,LH

ITEM	PART #	QTY	DESCRIPTION	COMMENTS
1	AG051059	1	BARB-HOSE,1.00MNPTX1.00BARB,PP	
2	AG051127	1	ELBOW-PIPE,1.00FNPT,90D,PP	
3	AG051153	1	NIPPLE-PIPE,1.00NPTXCLS,PP	
4	AG051536	2	CAP-PIPE,1.00NPT PP	
5	AG129187	AR	PIPE SEALANT-FLEX BLACK	
6	AG239722	1	TUBE-17.19,POLY	
7	AG239723	1	TUBE-25.81,POLY	
8	AG516405	1	TEE,PIPE,1.00FNPT,PP	

PIPE ASM-T W/2 1.00HB,6X20,PP

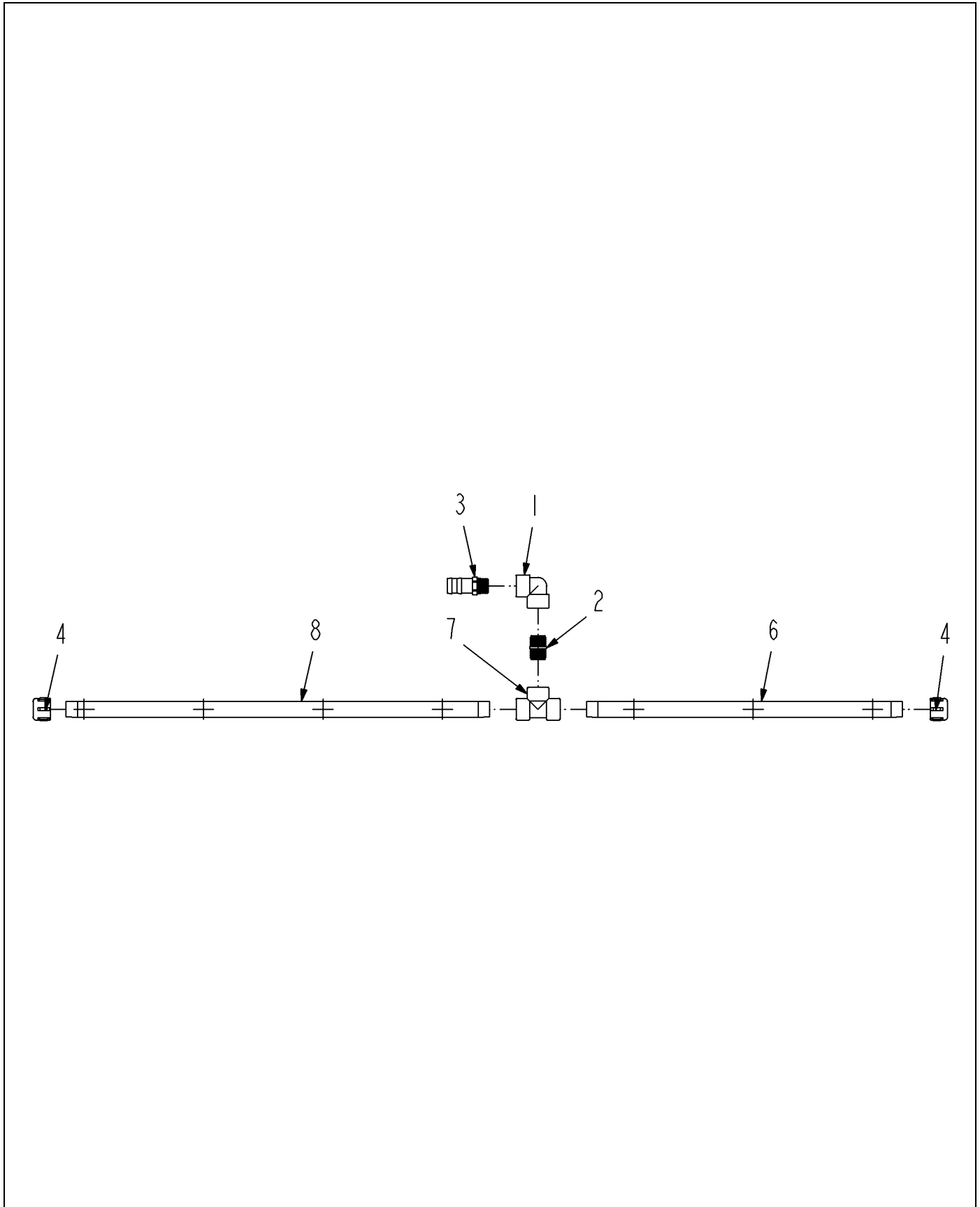


512414D1-01-R483-.TIF

PIPE ASM-T W/2 1.00HB,6X20,PP

ITEM	PART #	QTY	DESCRIPTION	COMMENTS
1	AG051162	1	TEE,PIPE,1.25FNPT,PP	
2	AG051186	2	BARB-HOSE,1.25MNPTX1.25BARB,PP	
3	AG051437	1	NIPPLE RED 1.25NPTX1.00NPT PP	
4	AG051536	2	CAP-PIPE,1.00NPT PP	
5	AG129187	AR	PIPE SEALANT-FLEX BLACK	
6	AG234469	1	TUBE 46.50 BOOM	
7	AG237787	1	TUBE-BOOM,20,56.50,PP	
8	AG516405	1	TEE,PIPE,1.00FNPT,PP	

PIPE ASM-90D W/1HB,7X10,PP,RH

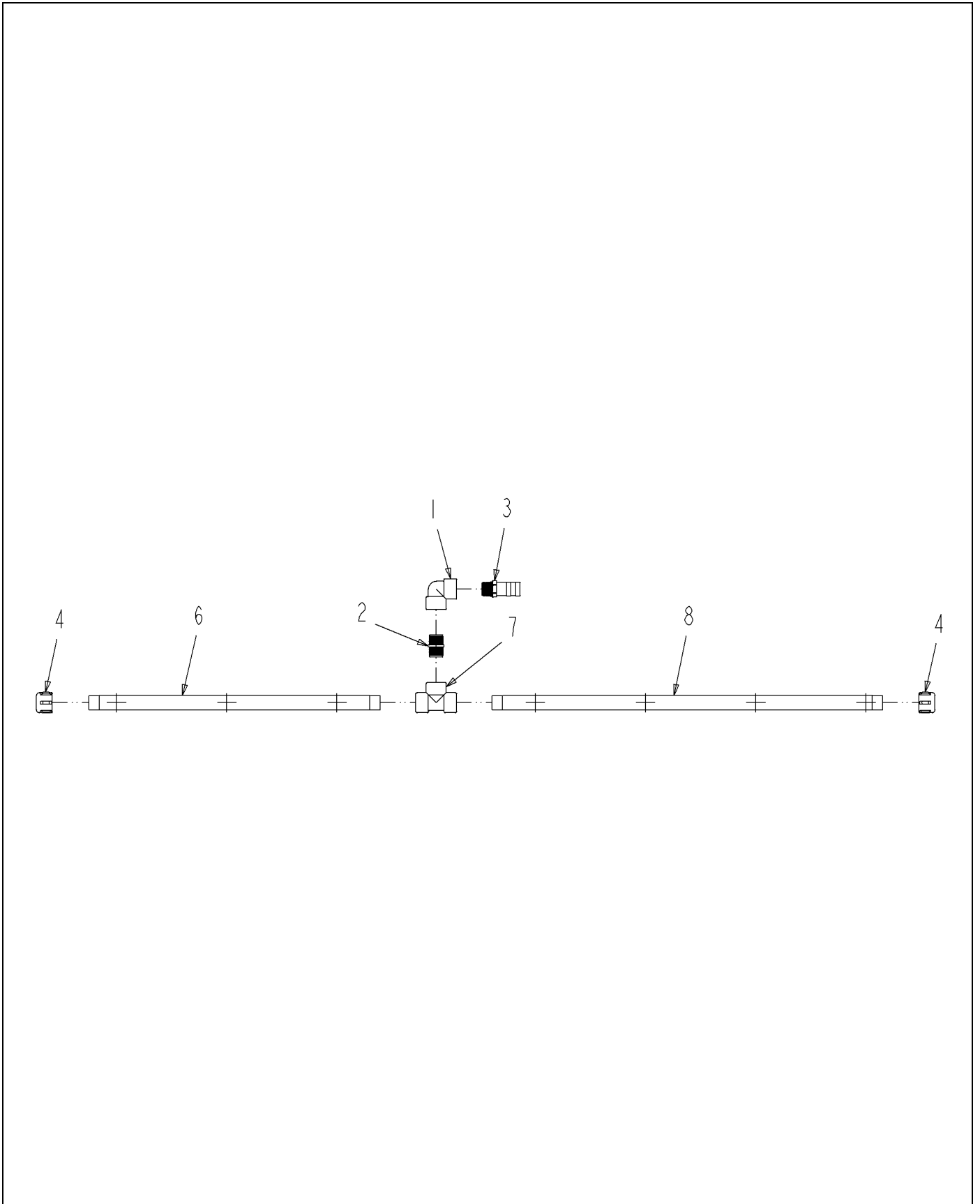


512415D1-01-R483-.TIF

PIPE ASM-90D W/1HB,7X10,PP,RH

ITEM	PART #	QTY	DESCRIPTION	COMMENTS
1	AG051127	1	ELBOW-PIPE,1.00FNPT,90D,PP	
2	AG051153	1	NIPPLE-PIPE,1.00NPTXCLS,PP	
3	AG051183	1	BARB-HOSE,1.00MNPTX1.25BARB,PP	
4	AG051536	2	CAP-PIPE,1.00NPT PP	
5	AG129187	AR	PIPE SEALANT-FLEX BLACK	
6	AG239936	1	TUBE-POLY,26.44,10IN CTR	
7	AG516405	1	TEE,PIPE,1.00FNPT,PP	
8	506805D1	1	TUBE-POLY,35.44,10IN CTR	

PIPE ASM-90D W/1HB,7X10,PP,LH

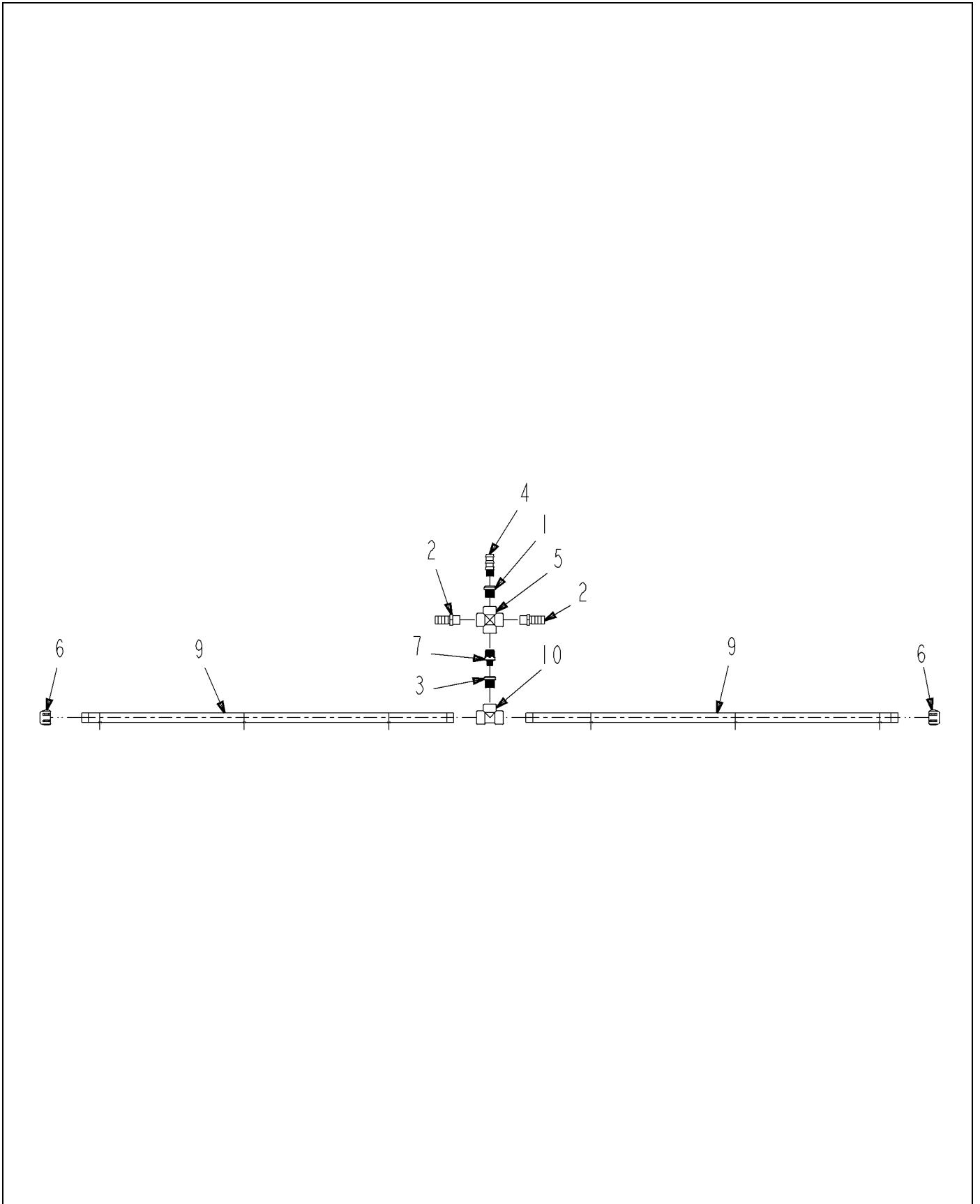


512416D1-01-R483-.TIF

PIPE ASM-90D W/1HB,7X10,PP,LH

ITEM	PART #	QTY	DESCRIPTION	COMMENTS
1	AG051127	1	ELBOW-PIPE,1.00FNPT,90D,PP	
2	AG051153	1	NIPPLE-PIPE,1.00NPTXCLS,PP	
3	AG051183	1	BARB-HOSE,1.00MNPTX1.25BARB,PP	
4	AG051536	2	CAP-PIPE,1.00NPT PP	
5	AG129187	AR	PIPE SEALANT-FLEX BLACK	
6	AG239936	1	TUBE-POLY,26.44,10IN CTR	
7	AG516405	1	TEE,PIPE,1.00FNPT,PP	
8	506805D1	1	TUBE-POLY,35.44,10IN CTR	

PIPE ASM-X W/3 1.00HB,6X20,PP

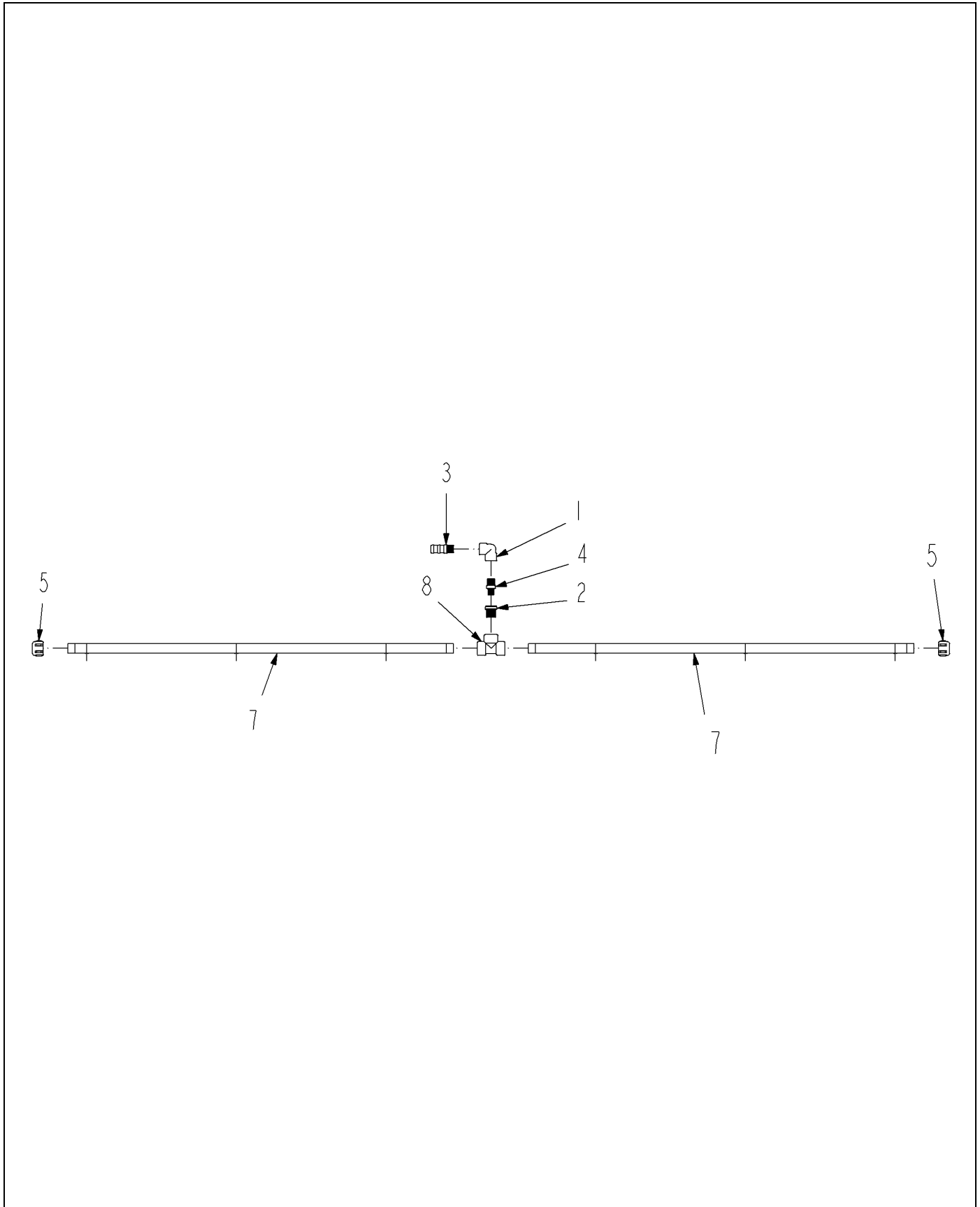


520487D1-01-R483-.TIF

PIPE ASM-X W/3 1.00HB,6X20,PP

ITEM	PART #	QTY	DESCRIPTION	COMMENTS
1	AG051057	1	BSHG-RDCR,HEX,1.00X0.75NPT,PP	
2	AG051059	2	BARB-HOSE,1.00MNPTX1.00BARB,PP	
3	AG051170	1	BSHG-RDCR,HEX,1.00X0.50NPT,PP	
4	AG051181	1	BARB-HOSE,0.75MNPTX1.00BARB,PP	
5	AG051442	1	CROSS-PIPE,1.00FNPT,PP	
6	AG051536	2	CAP-PIPE,1.00NPT PP	
7	AG053081	1	REDUCER NIPPLE 1.00 X .50	
8	AG129187	AR	PIPE SEALANT-FLEX BLACK	
9	AG239721	2	TUBE-51.50,POLY	
10	AG516405	1	TEE,PIPE,1.00FNPT,PP	

PIPE ASM-90D W/1.00HB,6X20,PP

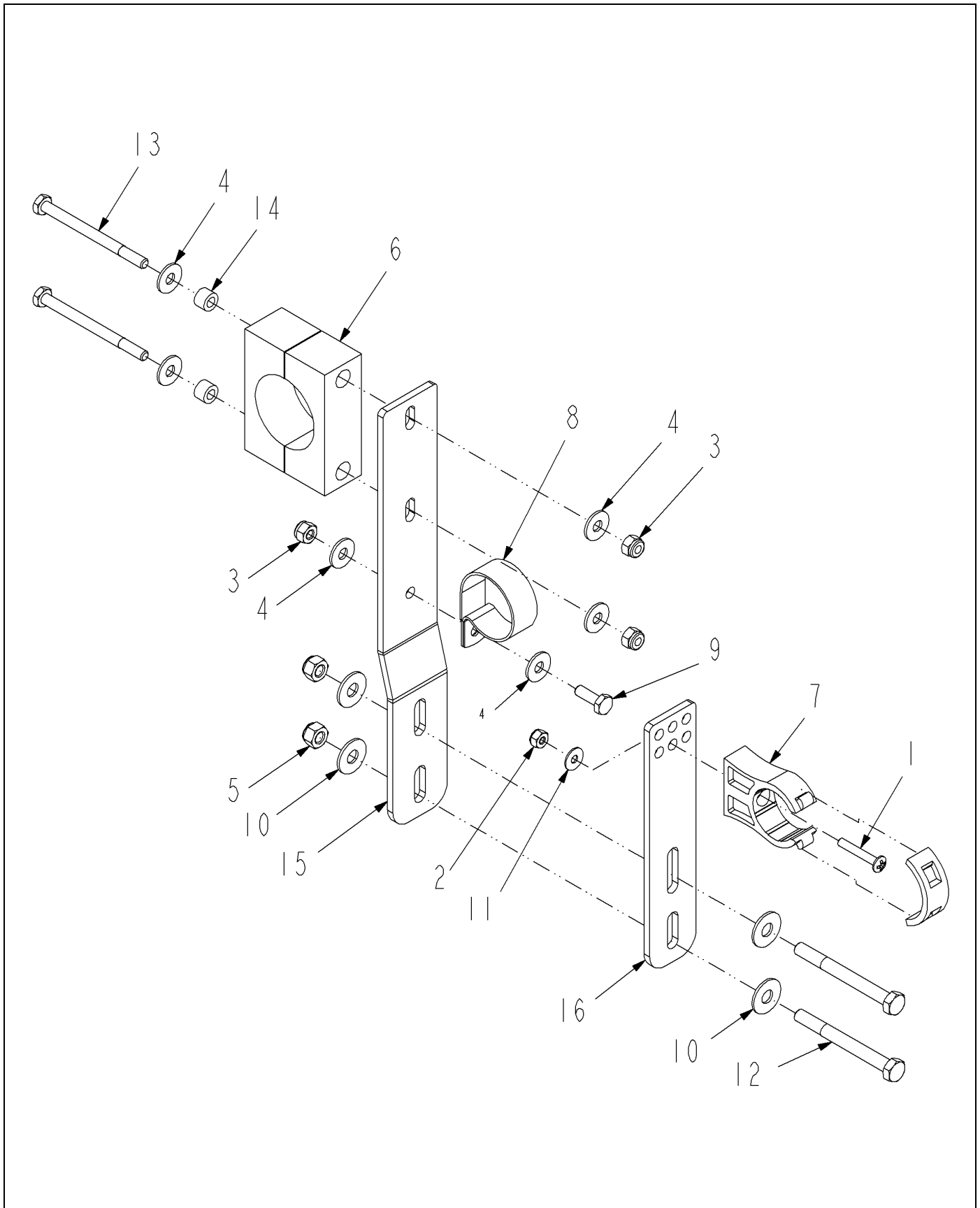


520488D1-01-R483-.TIF

PIPE ASM-90D W/1.00HB,6X20,PP

ITEM	PART #	QTY	DESCRIPTION	COMMENTS
1	AG051126	1	ELBOW-PIPE,0.75FNPT,90D,PP	
2	AG051170	1	BSHG-RDCR,HEX,1.00X0.50NPT,PP	
3	AG051181	1	BARB-HOSE,0.75MNPTX1.00BARB,PP	
4	AG051435	1	NIPPLE RED POLY 0.75 X 0.50	
5	AG051536	2	CAP-PIPE,1.00NPT PP	
6	AG129187	AR	PIPE SEALANT-FLEX BLACK	
7	AG239721	2	TUBE-51.50,POLY	
8	AG516405	1	TEE,PIPE,1.00FNPT,PP	

BRKT ASM-L/STR,IPS/1.50 STAUFF

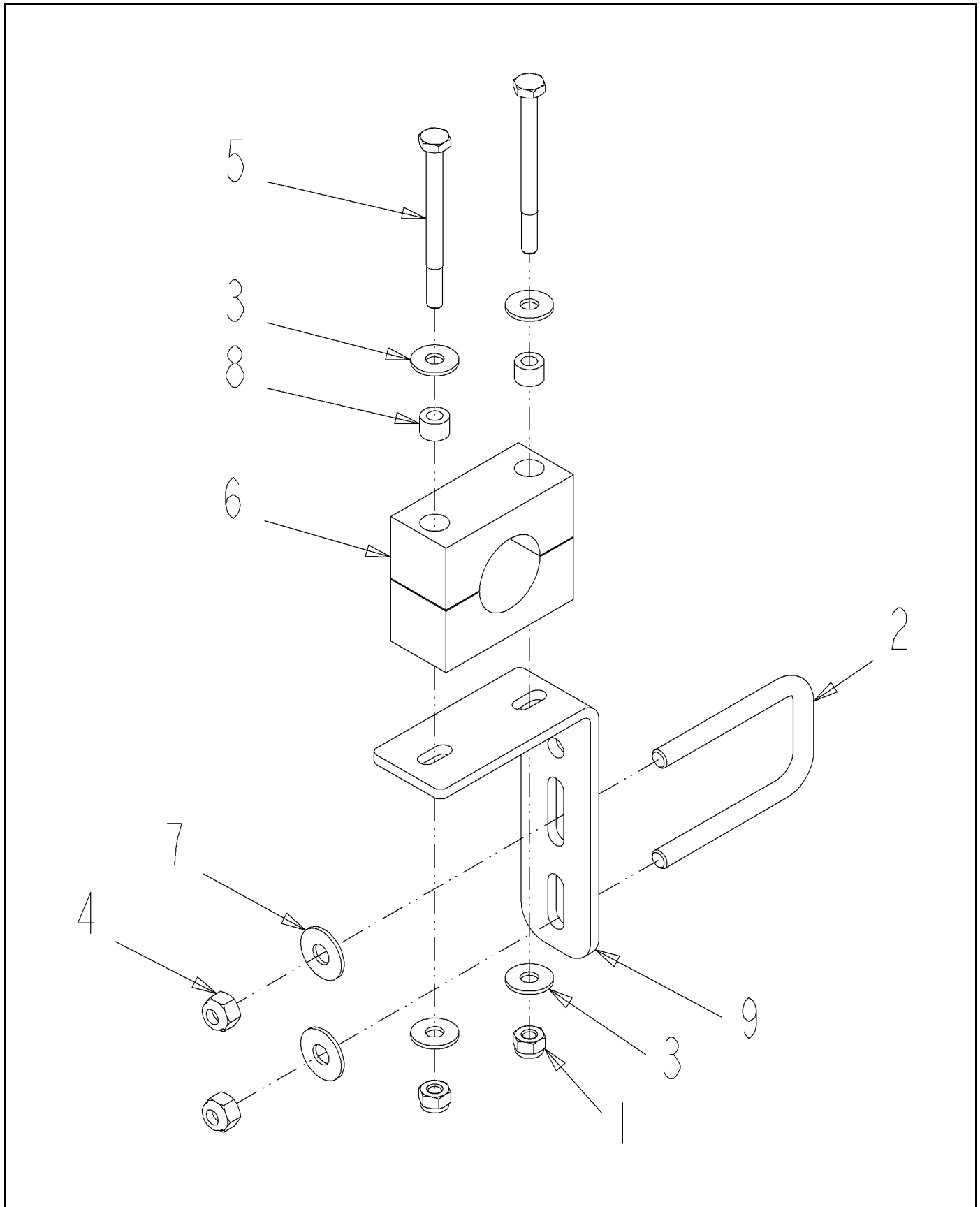


520541D1-01-R483-.TIF

BRKT ASM-L/STR,IPS/1.50 STAUFF

ITEM	PART #	QTY	DESCRIPTION	COMMENTS
1	AG027273	1	SCREW 10-24X 1.25 PHD PHILSS(P	
2	AG027274	1	NUT #10-24NC HEX SS REG NY	
3	AG027275	3	NUT 0.25-20NC HEX SS REG NY	
4	AG515121	6	WASHER 0.25 FL SS REG TYPE-B	
5	AG516403	2	NUT 0.31-18NC HEX SS REG NY	
6	AG519180	1	CLAMP 1.50 BLACK POLY	
7	AG519749	1	CLAMP 1.00 IPS POLY	
8	AG523412	1	CLAMP-1.62 DIA,COATED HOSE	
9	AG562054	1	BOLT 0.25-20NCX 0.75 SS HHD	
10	AG562074	4	WASHER 0.31 FL SS REG TYPE-B	
11	AG562082	1	WASHER #10 FL SS REG TYPE-B	
12	AG562105	2	BOLT 0.31-18NCX 3.00 SS HHD	
13	AG563061	2	BOLT 0.25-20NCX 3.25 SS HHD	
14	AG609777	2	INSERT STAUFF SPACER	
15	509884D1	1	BRKT-Z,STANDOFF,LG,1.50STAUFF	
16	511432D1	1	BRKT-STR,LG STANDOFF	

BRKT ASM-L,LG,STAUFF,LG UBOLT

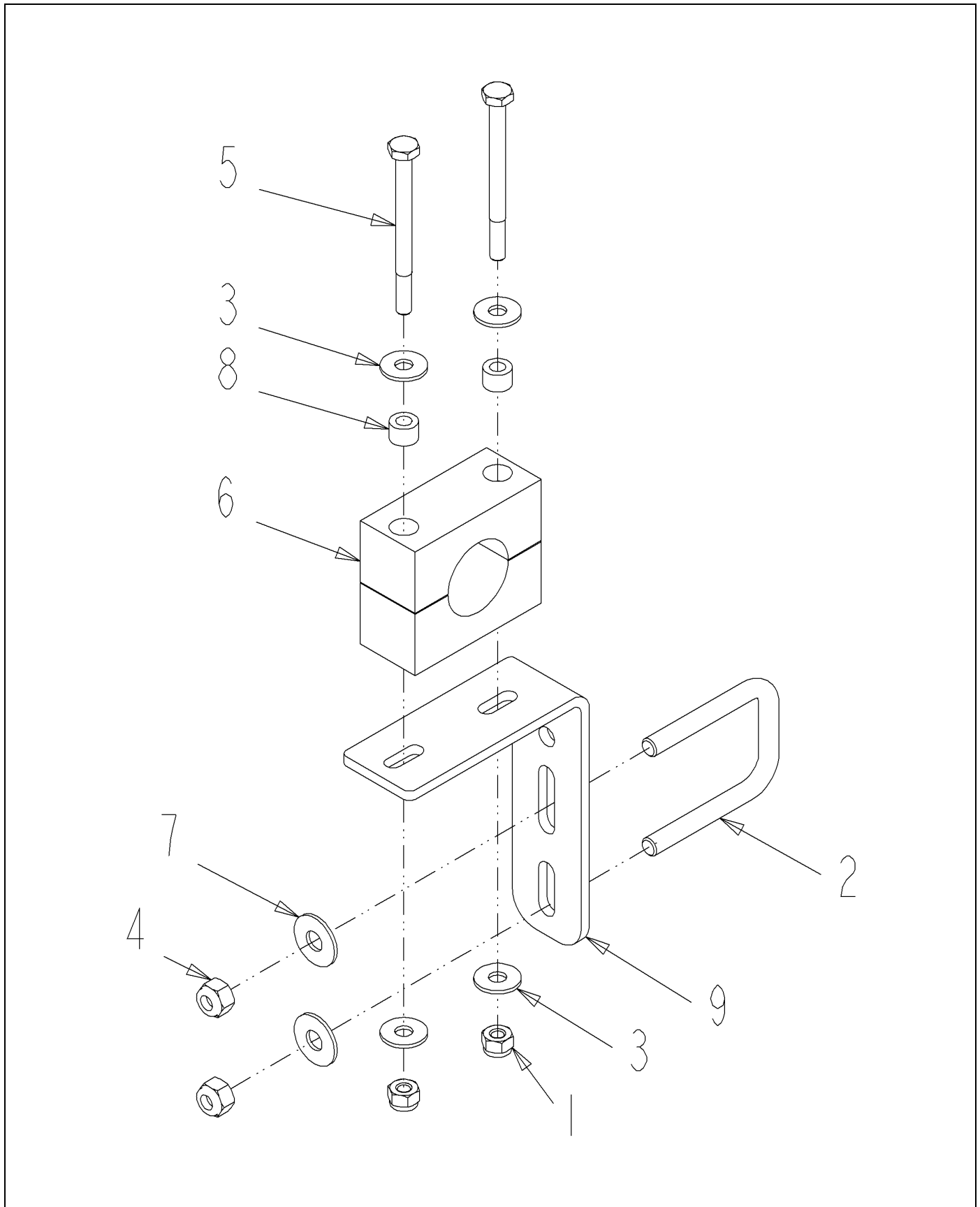


520542D1-01-R483-.TIF

BRKT ASM-L,LG,STAUFF,LG UBOLT

ITEM	PART #	QTY	DESCRIPTION	COMMENTS
1	AG027275	2	NUT 0.25-20NC HEX SS REG NY	
2	AG261322	1	BOLT-U .31-18X1.56X 2.97SQ,SS	
3	AG515121	4	WASHER 0.25 FL SS REG TYPE-B	
4	AG516403	2	NUT 0.31-18NC HEX SS REG NY	
5	AG518492	2	BOLT 0.25-20NCX 3.00 SS HHD	
6	AG519748	1	CLAMP 1.00 PIPE	[A]
7	AG562074	2	WASHER 0.31 FL SS REG TYPE-B	
8	AG609777	2	INSERT STAUFF SPACER	
9	509885D1	1	BRKT-L,STANDOFF,STAUFF	
	FOOTNOTE [A]		2 INSERTS AND 2 CLAMP MAKE UP 1 PART. BOLT - AG563061, WASHER - AG515121, NUT - AG027275,	

BRKT ASM-L,LG,STAUFF,XLG OFFST

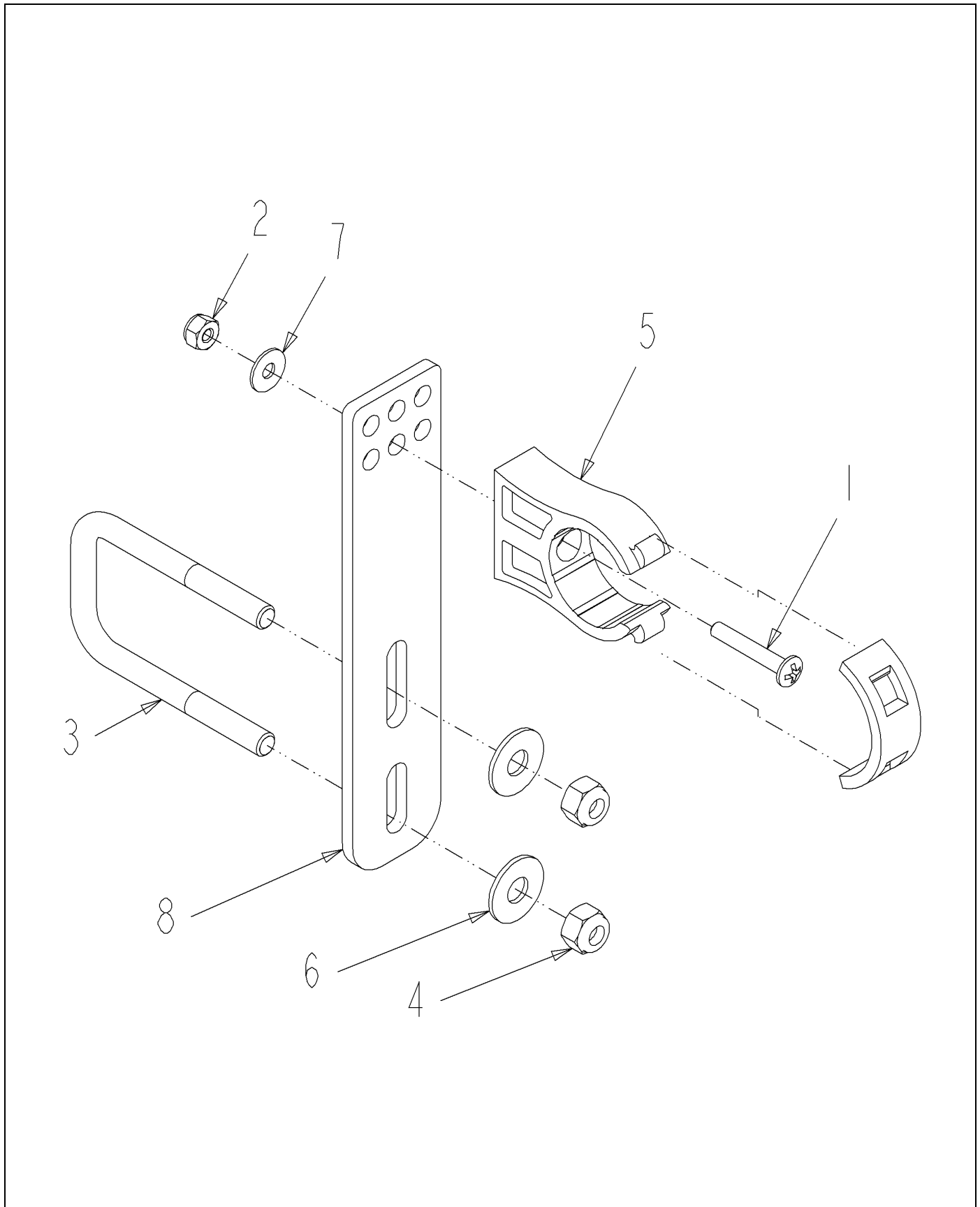


520543D1-01-R483-.TIF

BRKT ASM-L,LG,STAUFF,XLG OFFST

ITEM	PART #	QTY	DESCRIPTION	COMMENTS
1	AG027275	2	NUT 0.25-20NC HEX SS REG NY	
2	AG231204	1	BOLT-U .31-18X1.88X2.63	
3	AG515121	4	WASHER 0.25 FL SS REG TYPE-B	
4	AG516403	2	NUT 0.31-18NC HEX SS REG NY	
5	AG518492	2	BOLT 0.25-20NCX 3.00 SS HHD	
6	AG519748	1	CLAMP 1.00 PIPE	[A]
7	AG562074	2	WASHER 0.31 FL SS REG TYPE-B	
8	AG609777	2	INSERT STAUFF SPACER	
9	520540D1	1	BRKT-L,LG,STANDOFF,XLG OFFSET	
	FOOTNOTE [A]		2 INSERTS AND 2 CLAMP MAKE UP 1 PART. BOLT - AG563061, WASHER - AG515121, NUT - AG027275,	

BRKT ASM-STR,LG,IPS,LG UBOLT

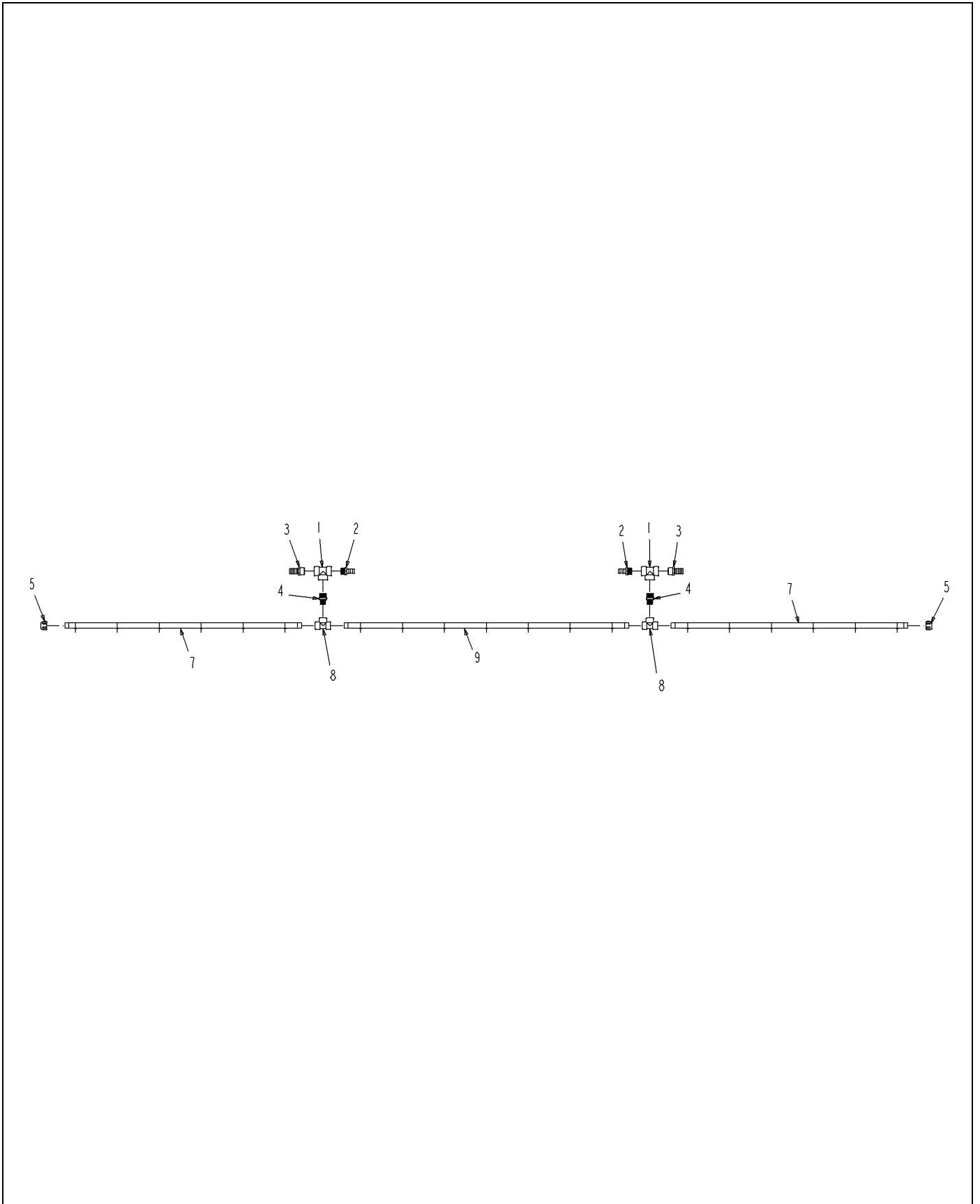


520544D1-01-R483-.TIF

BRKT ASM-STR,LG,IPS,LG UBOLT

ITEM	PART #	QTY	DESCRIPTION	COMMENTS
1	AG027273	1	SCREW 10-24X 1.25 PHD PHILSS(P	
2	AG027274	1	NUT #10-24NC HEX SS REG NY	
3	AG261322	1	BOLT-U .31-18X1.56X 2.97SQ,SS	
4	AG516403	2	NUT 0.31-18NC HEX SS REG NY	
5	AG519749	1	CLAMP 1.00 IPS POLY	
6	AG562074	2	WASHER 0.31 FL SS REG TYPE-B	
7	AG562082	1	WASHER #10 FL SS REG TYPE-B	
8	511432D1	1	BRKT-STR,LG STANDOFF	

PIPE ASM-2T,1HB/125HB,19X10,PP

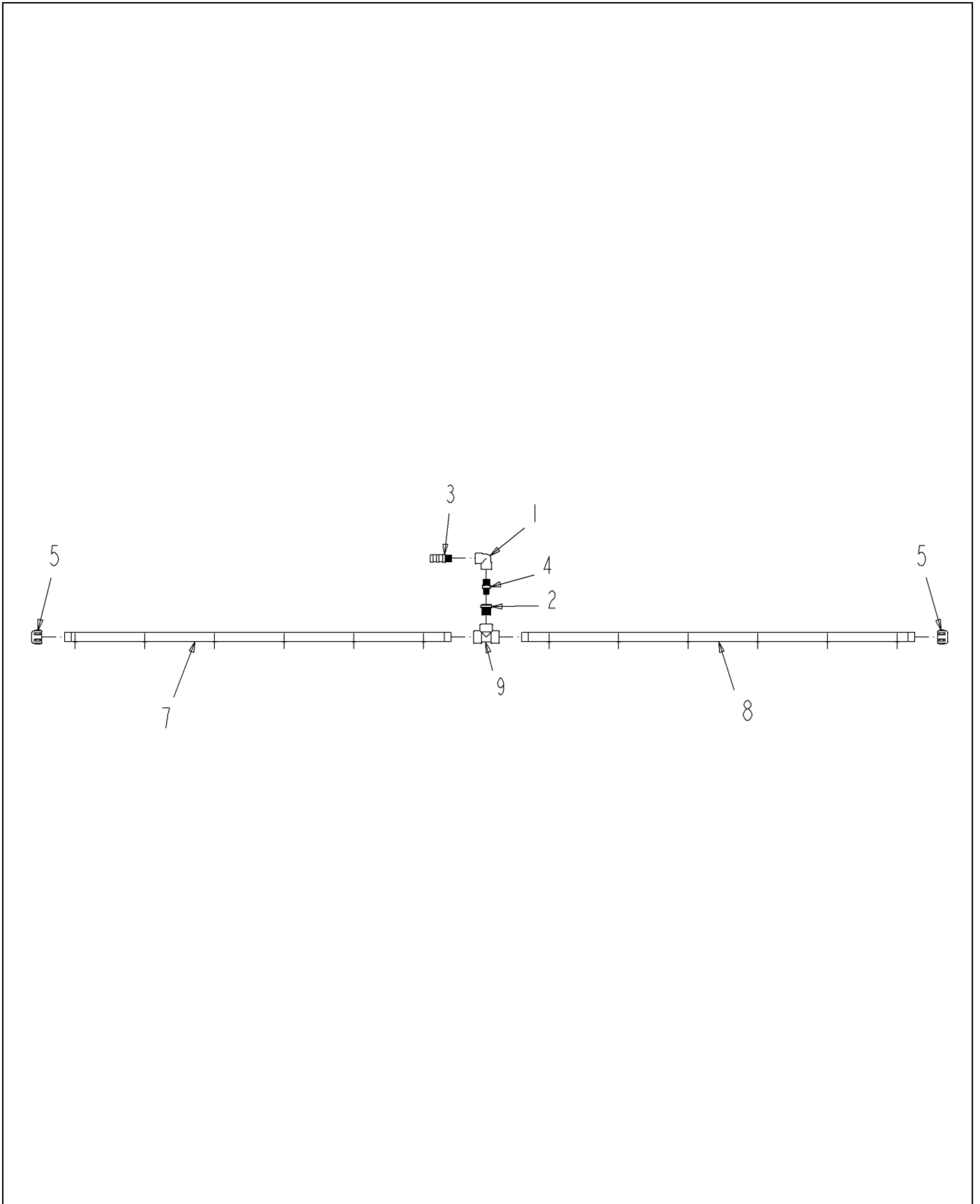


520581D1-01-R483-.TIF

PIPE ASM-2T,1HB/125HB,19X10,PP

ITEM	PART #	QTY	DESCRIPTION	COMMENTS
1	AG051162	2	TEE,PIPE,1.25FNPT,PP	
2	AG051185	2	BARB-HOSE,1.25MNPTX1.00BARB,PP	
3	AG051186	2	BARB-HOSE,1.25MNPTX1.25BARB,PP	
4	AG051437	2	NIPPLE RED 1.25NPTX1.00NPT PP	
5	AG051536	2	CAP-PIPE,1.00NPT PP	
6	AG129187	AR	PIPE SEALANT-FLEX BLACK	
7	AG239937	2	TUBE-POLY,56.44,10IN CTR	
8	AG516405	2	TEE,PIPE,1.00FNPT,PP	
9	506806D1	1	TUBE-POLY,67.88,10IN CTR	

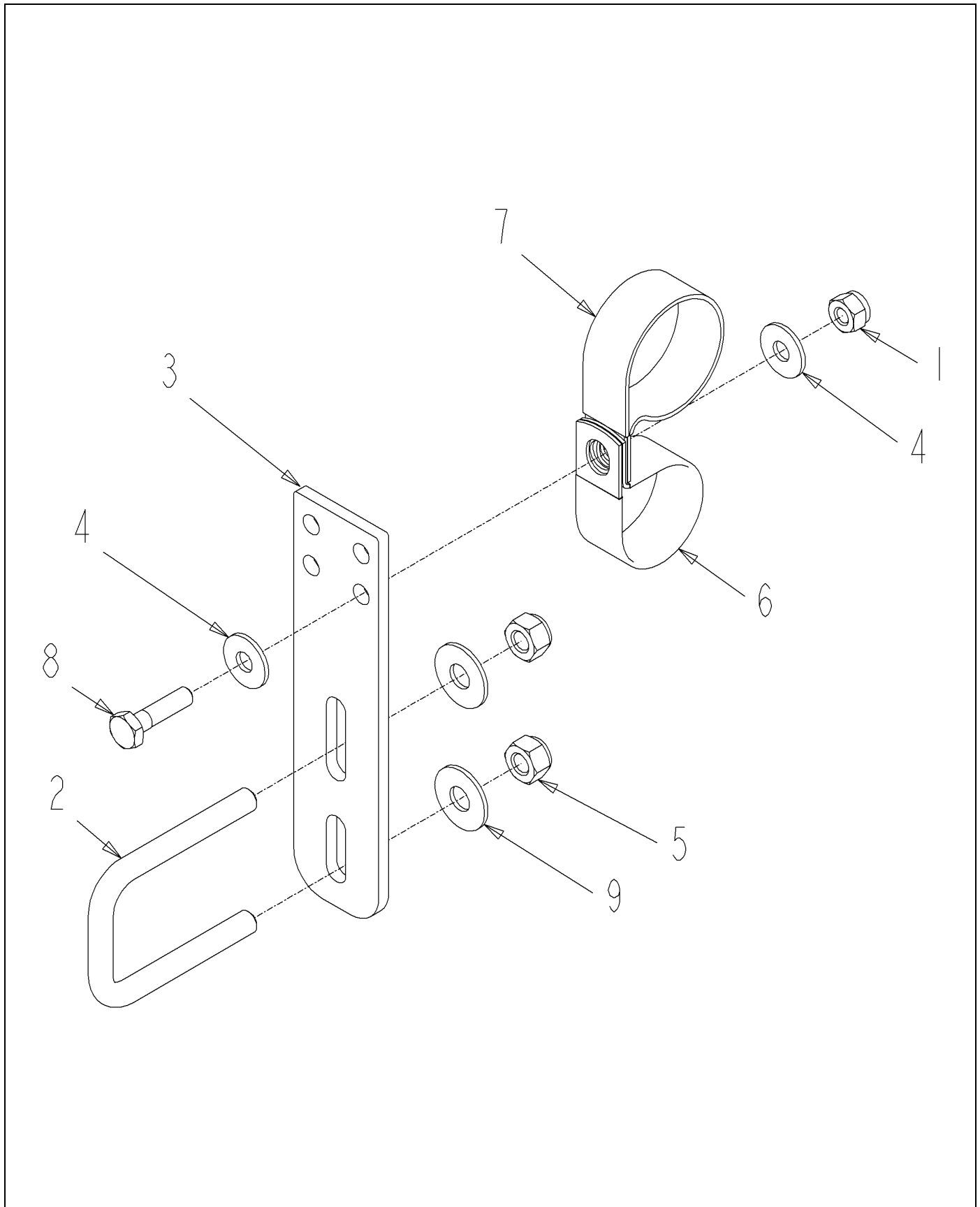
PIPE ASM-90D W/1.00HB,12X10,PP



520582D1-01-R483-.TIF

PIPE ASM-90D W/1.00HB,12X10,PP

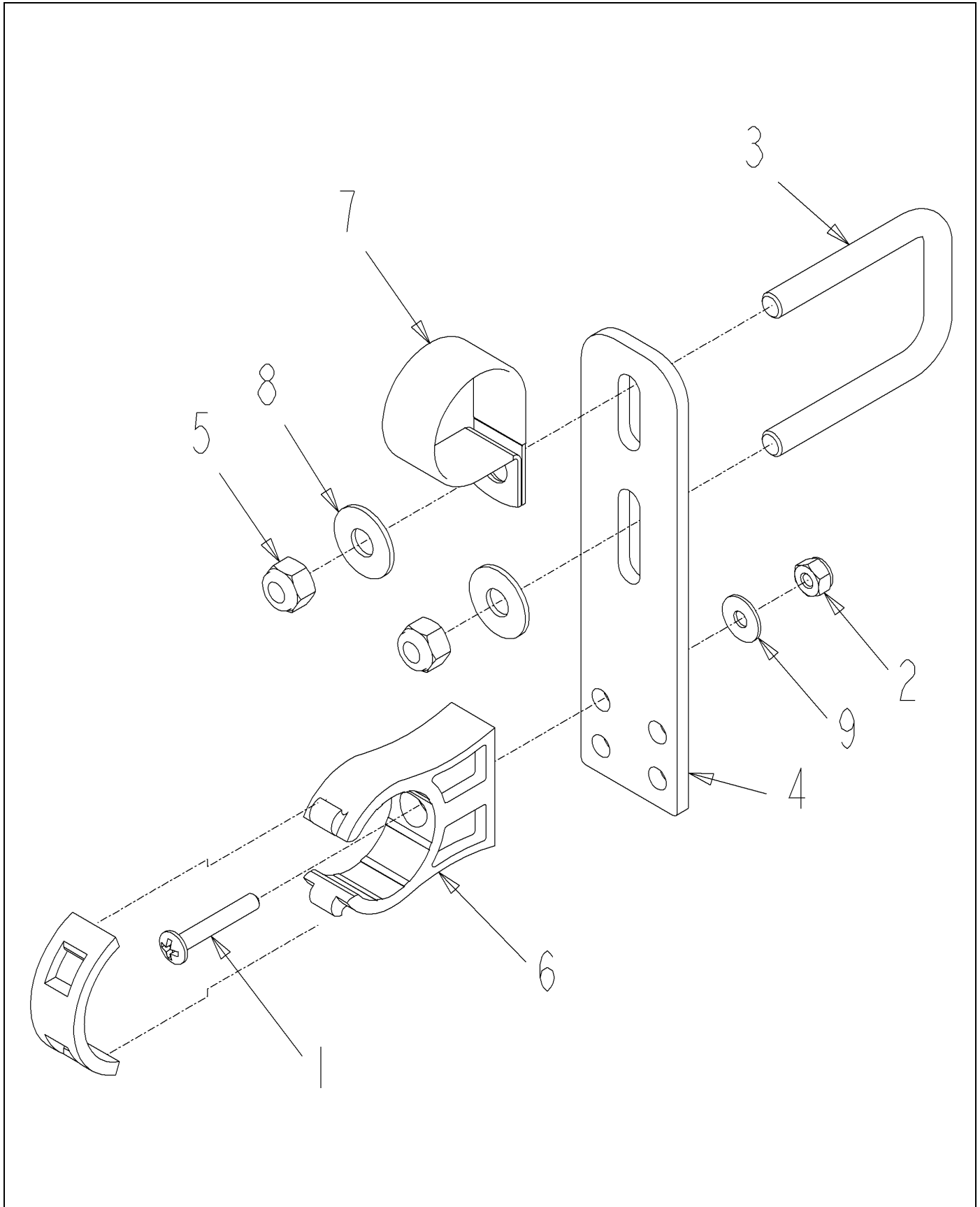
ITEM	PART #	QTY	DESCRIPTION	COMMENTS
1	AG051126	1	ELBOW-PIPE,0.75FNPT,90D,PP	
2	AG051170	1	BSHG-RDCR,HEX,1.00X0.50NPT,PP	
3	AG051181	1	BARB-HOSE,0.75MNPTX1.00BARB,PP	
4	AG051435	1	NIPPLE RED POLY 0.75 X 0.50	
5	AG051536	2	CAP-PIPE,1.00NPT PP	
6	AG129187	AR	PIPE SEALANT-FLEX BLACK	
7	AG134850	1	TUBE-PP,55.44,10IN CTR	
8	AG239937	1	TUBE-POLY,56.44,10IN CTR	
9	AG516405	1	TEE,PIPE,1.00FNPT,PP	



520626D1-01-R483-.TIF

BRKT ASM-STR,SH,1.00/1.25 PCLP

ITEM	PART #	QTY	DESCRIPTION	COMMENTS
1	AG027275	1	NUT 0.25-20NC HEX SS REG NY	
2	AG231204	1	BOLT-U .31-18X1.88X2.63	
3	AG234373	1	BRACKET SHORT STANDOFF	
4	AG515121	2	WASHER 0.25 FL SS REG TYPE-B	
5	AG516403	2	NUT 0.31-18NC HEX SS REG NY	
6	AG519751	1	CLAMP 1.38 DIA COATED HOSE	
7	AG523412	1	CLAMP-1.62 DIA,COATED HOSE	
8	AG562064	1	BOLT 0.25-20NCX 1.00 SS HHD	
9	AG562074	2	WASHER 0.31 FL SS REG TYPE-B	

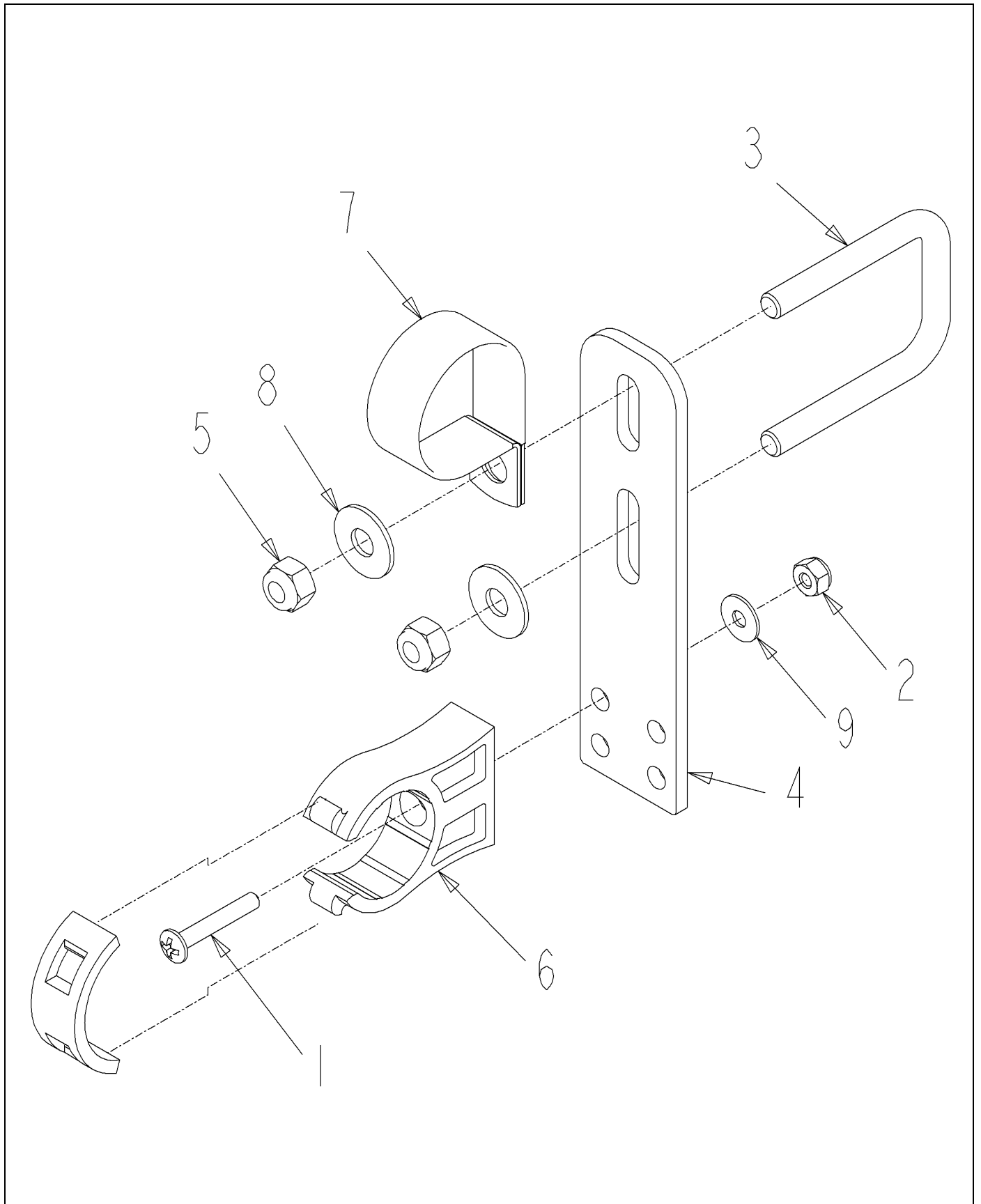


520634D1-01-R483-.TIF

BRKT ASM-STR,SH,IPS/1.00 PCLP

ITEM	PART #	QTY	DESCRIPTION	COMMENTS
1	AG027273	1	SCREW 10-24X 1.25 PHD PHILSS(P	
2	AG027274	1	NUT #10-24NC HEX SS REG NY	
3	AG231204	1	BOLT-U .31-18X1.88X2.63	
4	AG234373	1	BRACKET SHORT STANDOFF	
5	AG516403	2	NUT 0.31-18NC HEX SS REG NY	
6	AG519749	1	CLAMP 1.00 IPS POLY	
7	AG519751	1	CLAMP 1.38 DIA COATED HOSE	
8	AG562074	2	WASHER 0.31 FL SS REG TYPE-B	
9	AG562082	1	WASHER #10 FL SS REG TYPE-B	

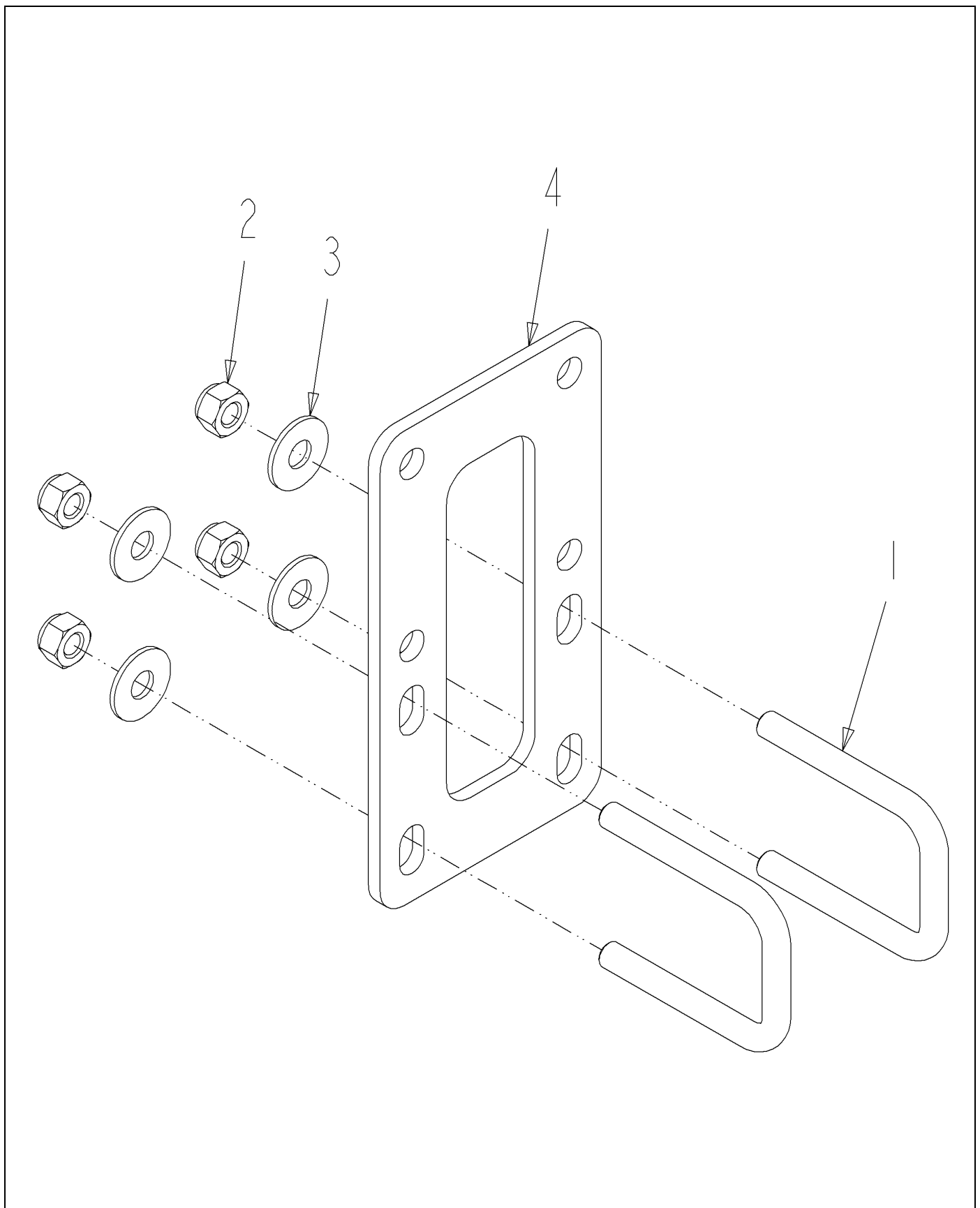
SHAFT AS-PEDAL



520635D1-01-R483-.TIF

SHAFT AS-PEDAL

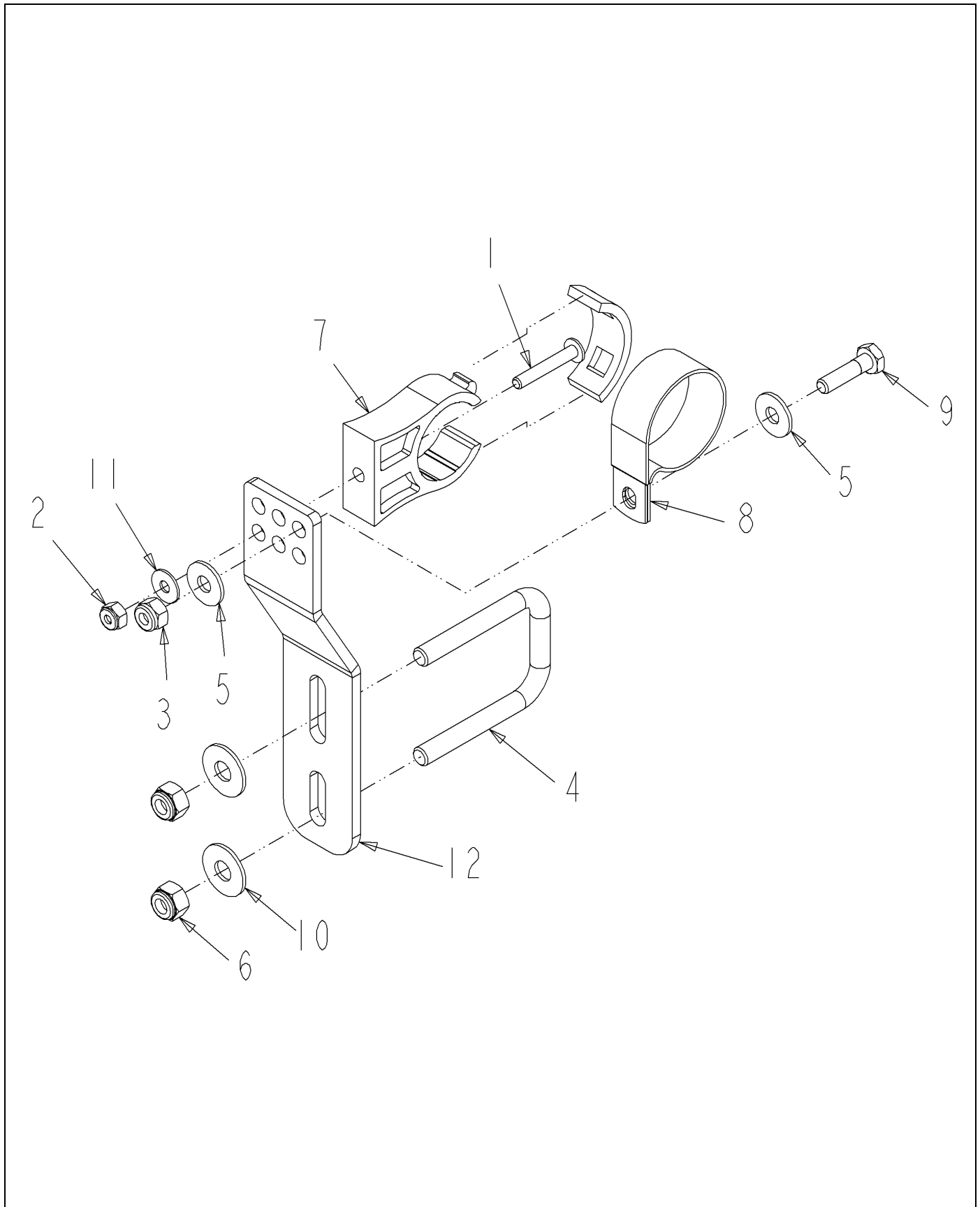
ITEM	PART #	QTY	DESCRIPTION	COMMENTS
1	AG027273	1	SCREW 10-24X 1.25 PHD PHILSS(P	
2	AG027274	1	NUT #10-24NC HEX SS REG NY	
3	AG231204	1	BOLT-U .31-18X1.88X2.63	
4	AG234373	1	BRACKET SHORT STANDOFF	
5	AG516403	2	NUT 0.31-18NC HEX SS REG NY	
6	AG519749	1	CLAMP 1.00 IPS POLY	
7	AG523533	1	CLAMP-1.62 DIA,COATED,HOSE	
8	AG562074	2	WASHER 0.31 FL SS REG TYPE-B	
9	AG562082	1	WASHER #10 FL SS REG TYPE-B	



520705D1-01-R483-.TIF

BRKT ASM-MTG,SNSR

ITEM	PART #	QTY	DESCRIPTION	COMMENTS
1	AG231204	2	BOLT-U .31-18X1.88X2.63	
2	AG516403	4	NUT 0.31-18NC HEX SS REG NY	
3	AG562074	4	WASHER 0.31 FL SS REG TYPE-B	
4	520706D1	1	PLATE-MTG,SNSR,AUTOBOOM	

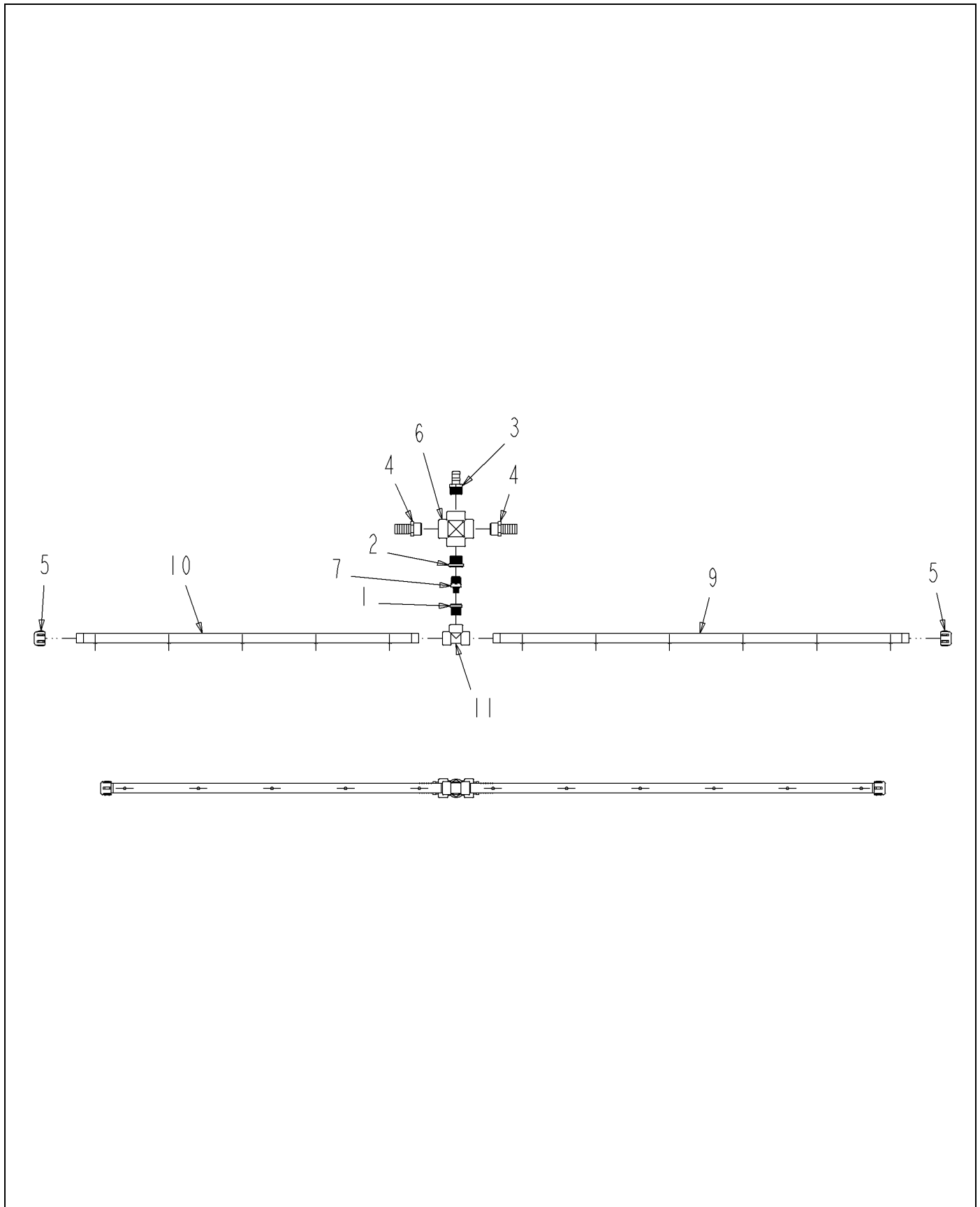


520893D1-01-R483-.TIF

BRKT ASM-Z,SH,1.00IPS/1.25PCLP

ITEM	PART #	QTY	DESCRIPTION	COMMENTS
1	AG027273	1	SCREW 10-24X 1.25 PHD PHILSS(P	
2	AG027274	1	NUT #10-24NC HEX SS REG NY	
3	AG027275	1	NUT 0.25-20NC HEX SS REG NY	
4	AG231204	1	BOLT-U .31-18X1.88X2.63	
5	AG515121	2	WASHER 0.25 FL SS REG TYPE-B	
6	AG516403	2	NUT 0.31-18NC HEX SS REG NY	
7	AG519749	1	CLAMP 1.00 IPS POLY	
8	AG523412	1	CLAMP-1.62 DIA,COATED HOSE	
9	AG562064	1	BOLT 0.25-20NCX 1.00 SS HHD	
10	AG562074	2	WASHER 0.31 FL SS REG TYPE-B	
11	AG562082	1	WASHER #10 FL SS REG TYPE-B	
12	509881D1	1	BRKT-Z,STANDOFF,SH	

PIPE ASM-X,W/2125/1HB,11X10,PP



520901D1-01-R483-.TIF

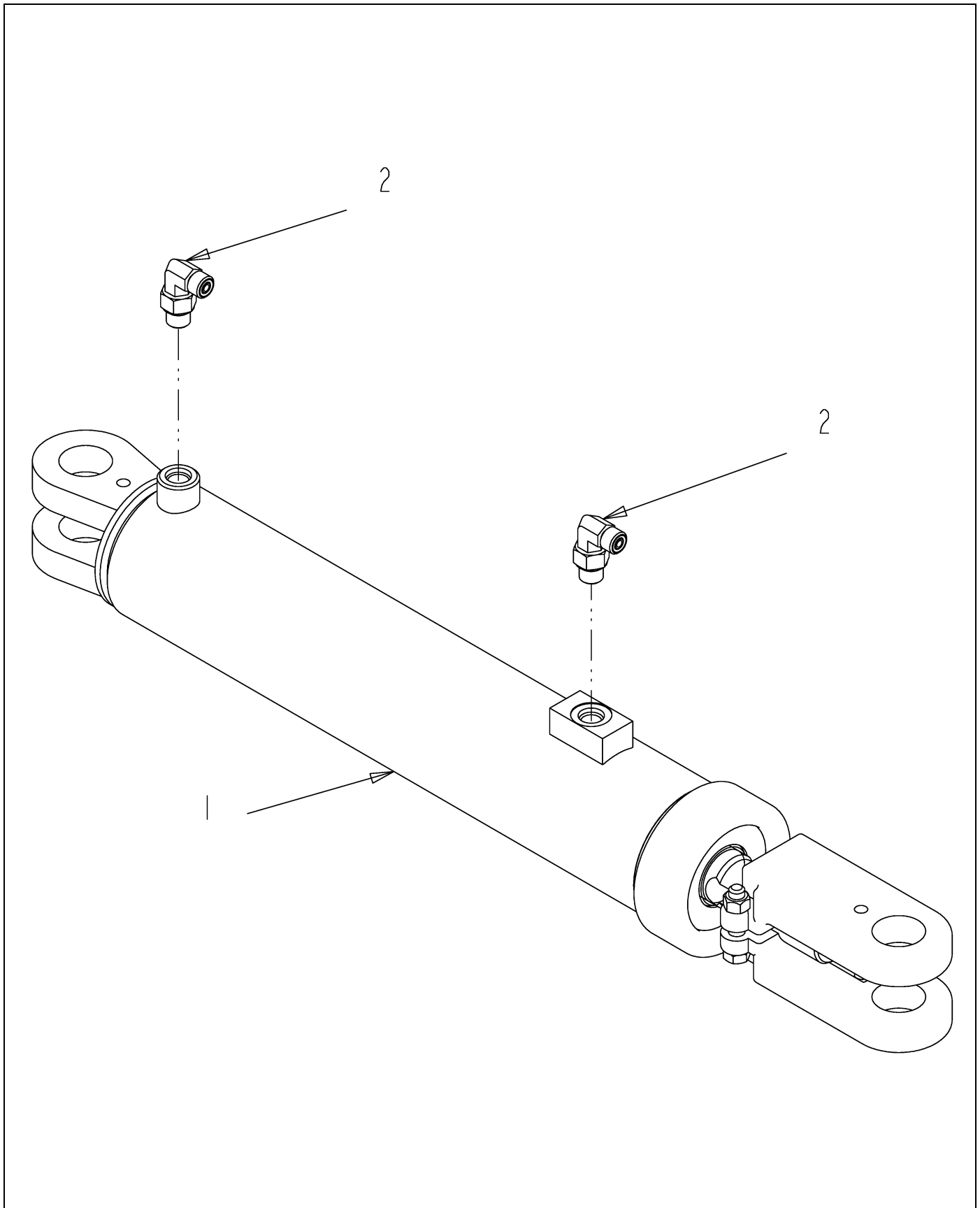
PIPE ASM-X,W/2125/1HB,11X10,PP

ITEM	PART #	QTY	DESCRIPTION	COMMENTS
1	AG051170	1	BSHG-RDCR,HEX,1.00X0.50NPT,PP	
2	AG051172	1	BSHG-RDCR,HEX,1.25X1.00NPT,PP	
3	AG051185	1	BARB-HOSE,1.25MNPTX1.00BARB,PP	
4	AG051186	2	BARB-HOSE,1.25MNPTX1.25BARB,PP	
5	AG051536	2	CAP-PIPE,1.00NPT PP	
6	AG051850	1	CROSS-PIPE,1.25FNPT,PP	
7	AG053081	1	REDUCER NIPPLE 1.00 X .50	
8	AG129187	AR	PIPE SEALANT-FLEX BLACK	
9	AG239937	1	TUBE-POLY,56.44,10IN CTR	
10	AG239938	1	TUBE-POLY,46.44,10IN CTR	
11	AG516405	1	TEE,PIPE,1.00FNPT,PP	

CYLINDER ASM-BOOM SWING	5-1
CYLINDER-HYD,3.00X12.00X1.38	5-2
ELBOW-90D,-6STOR X -4ORFS	5-3
CYLINDER ASM-BOOM BREAKAWAY	5-4
VALVE-CHECK ASM,6MOR X 8ORFS	5-5
ELBOW AS-90DEG-6STOR-8ORFS	5-6
CONNECTOR AS-STR-6STOR-8ORFS	5-7
CYLINDER-HYD,3.00X6.00X1.38	5-8
CYLINDER ASM-HOIST,BOOM	5-9
CYL-HYD,2.5X52X1.75,W/CB VALVE	5-10
CYL INSTL-TLT,AUTOBM,80/90/100	5-11
CYL INSTL-TILT,STD,80/90/100	5-12
PLMB INSTL-HYD,BOOM,80/90/100	5-13
PLMB INSTL-HYD,BOOM,80/90/100	5-14
BLOCK ASM-HYD,BOOM	5-15
CONNECTOR AS-6 STOR -6 ORFS	5-16
CONNECTOR AS-STR-8STOR-6ORFS	5-17
CONNECTOR AS-STR-6STOR-40ORFS	5-18
VALVE-HYD,7 BANK,W/BREAKAWAY	5-19
VALVE-HYD,7 BANK,W/BREAKAWAY	5-20
VALVE-HYD,7 BANK,W/BREAKAWAY	5-21
ADPTR-STR,.50MO-R X .50MO-R	5-22
CONNECTOR AS. ELEC	5-23
ELBOW AS-90-6STOR X 6ORFS	5-24
BLOCK-VALVE,HYD,AUTOBOOM,G2	5-25
TEE AS-6 ORFSX3	5-26
TEE-SWIVEL 3X -8 ORFS	5-27
BLOCK INSTL-HYD,BM/AUTOBOOM,G2	5-28
CYLINDER-HYD,3.00X11.38X1.25	5-29
ELBOW-90D,-12STOR X -8ORFS	5-30
CYLINDER-HYD,4.00X6.00X2.00	5-31
CYL ASM-HYD,SWG,BM,120	5-32
CYL-HYD,4.00X21.89X1.75,BM SWG	5-33
ELBOW AS-90D 12STOR X 12ORFS	5-34
CYL ASM-HOIST,BM,5.00 SL	5-35
CYL INSTL-TILT,STD,80/90/100	5-36
CYLINDER ASM-BOOM TILT,LH	5-37
CYLINDER-HYD,2.50X12.00X1.12	5-38
CYLINDER ASM-BOOM TILT,RH	5-39
BLOCK INSTL-HYD,STD,BOOM	5-40
BLOCK ASM-HYD,BOOM	5-41
ADAP STR 0.37MO-R X 0.37MJIC	5-42
BLK INSTL-HYD,NO AUTOBM,SM BM	5-43
CYLINDER ASM-BOOM TIP FOLD	5-44
CYLINDER-HYD,2.00X16.00X1.25	5-45
VALVE INSTL-HYD,PWM,HV	5-46
FTG ASM-ORIENT,PWM VALVE,20GPM	5-47
ELBOW AS-45 -12STOR-12ORFS	5-48
VALVE-HYD,PWM,LIQ SYS,20 GPM	5-49
CONNECTOR AS-12 ORFSX 12STOR	5-50
PUMP INSTL-HYD,SYS,HV	5-51

PUMP ASM-HYD,SYS,HV	5-52
CONNECTOR AS.-16 STORX16 ORFS	5-53
VALVE-HYD,PWM,LIQ SYS,15 GPM	5-54
PUMP INSTL-HYD,20GPM,LIQ,1074C	5-55
PUMP ASM-HYD,2.11CIR,.88 13T	5-56
PUMP-HYD,2.11CIR,.88 13T	5-57
PUMP INSTL-HYD,SYS,1286C	5-58
PUMP ASM-HYD,SYS,HV	5-59
PUMP-HYD,1.87CIR,.88 13T	5-60
CYLINDER ASM-BOOM TIP FOLD	5-61
CYLINDER-HYD,2.25X14.00X1.25	5-62
CYLINDER ASM-FOLD BACK,BM,120	5-63
CYLINDER-HYD,3.00X14.00X1.38	5-64
CYL INSTL-TILT,W/O AUTOBM,120	5-65
CYL ASM-TILT,W/O AUTOBM,120,RH	5-66
BLOCK INSTL-HYD,W/O AUTOBM,120	5-67
BLOCK ASM-HYD,W/O AUTOBM,120	5-68
BLOCK-VALVE,7BANK,NO AUTOBOOM	5-69
BLOCK-VALVE,7BANK,NO AUTOBOOM	5-70
BLOCK INSTL-HYD,W/AUTOBOOM,120	5-71
BLOCK ASM-HYD,W/AUTOBOOM,120	5-72
HOSE INSTL-HYD,LIQ SYS,1286C	5-73
CAP INSTL-COMBO,LIQ,10/12X4C	5-74
CAP INSTL-COMBO,LIQ,10/12X4C	5-75
HOSE INSTL-HYD,LIQ SYS,8/1074	5-76
HOSE INSTL-HYD,BM BLOCK,RG	5-77
HOSE INSTL-HYD,LIQ SYS,1074C	5-78
HOSE INSTL-HYD,LIQ SYS,MONGREL	5-79
HOSE INSTL-HYD,LIQ SYS,MONG C	5-80
CYL ASM-HYD,SWG,BM,120	5-81

CYLINDER ASM-BOOM SWING

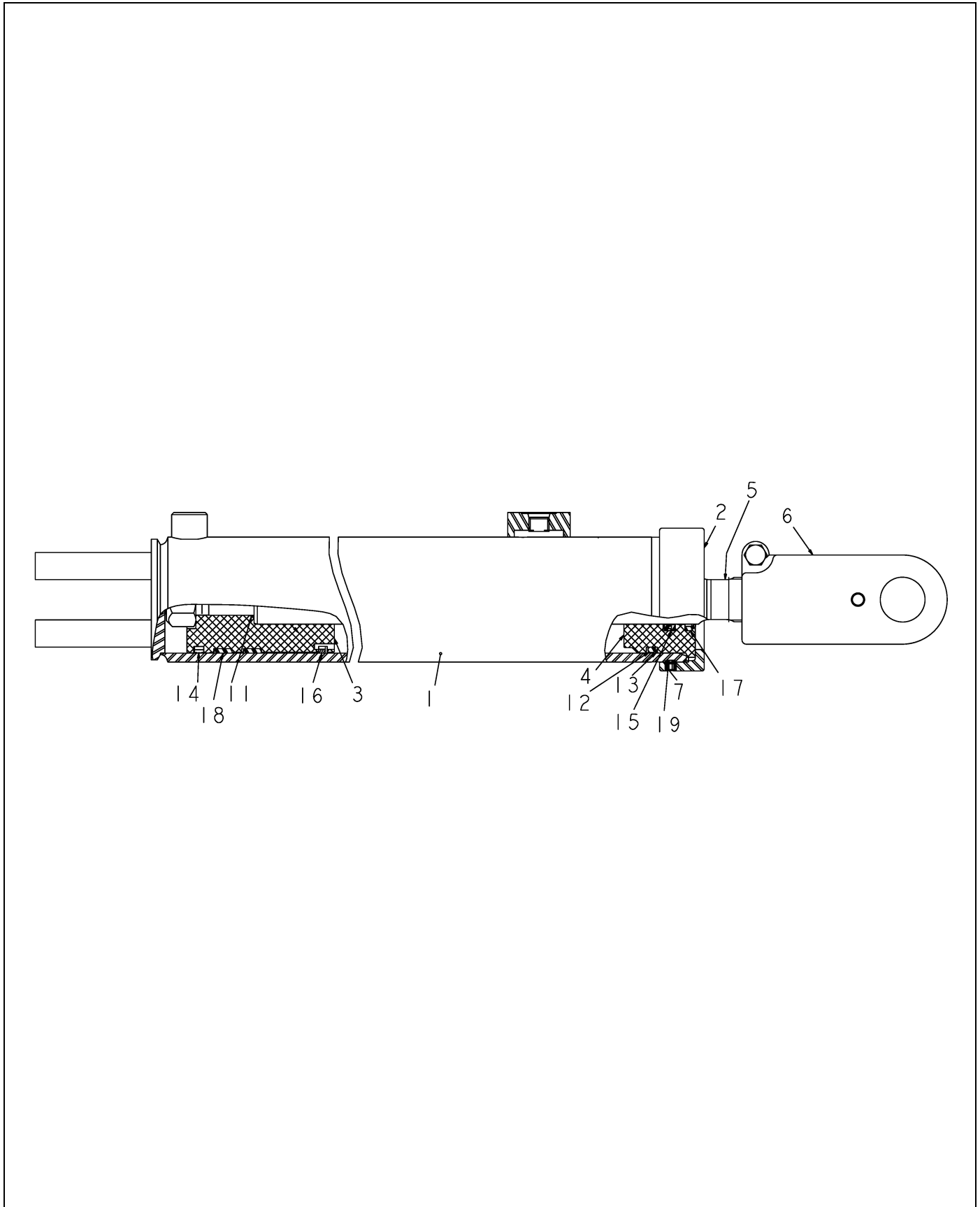


512480D1-01-N562-.TIF

CYLINDER ASM-BOOM SWING

ITEM	PART #	QTY	DESCRIPTION	COMMENTS
1	AG126326	1	CYLINDER-HYD,3.00X12.00X1.38	SEE PAGE 5-2
2	401289X1	2	ELBOW-90D,-6STOR X -4ORFS	SEE PAGE 5-3

CYLINDER-HYD,3.00X12.00X1.38

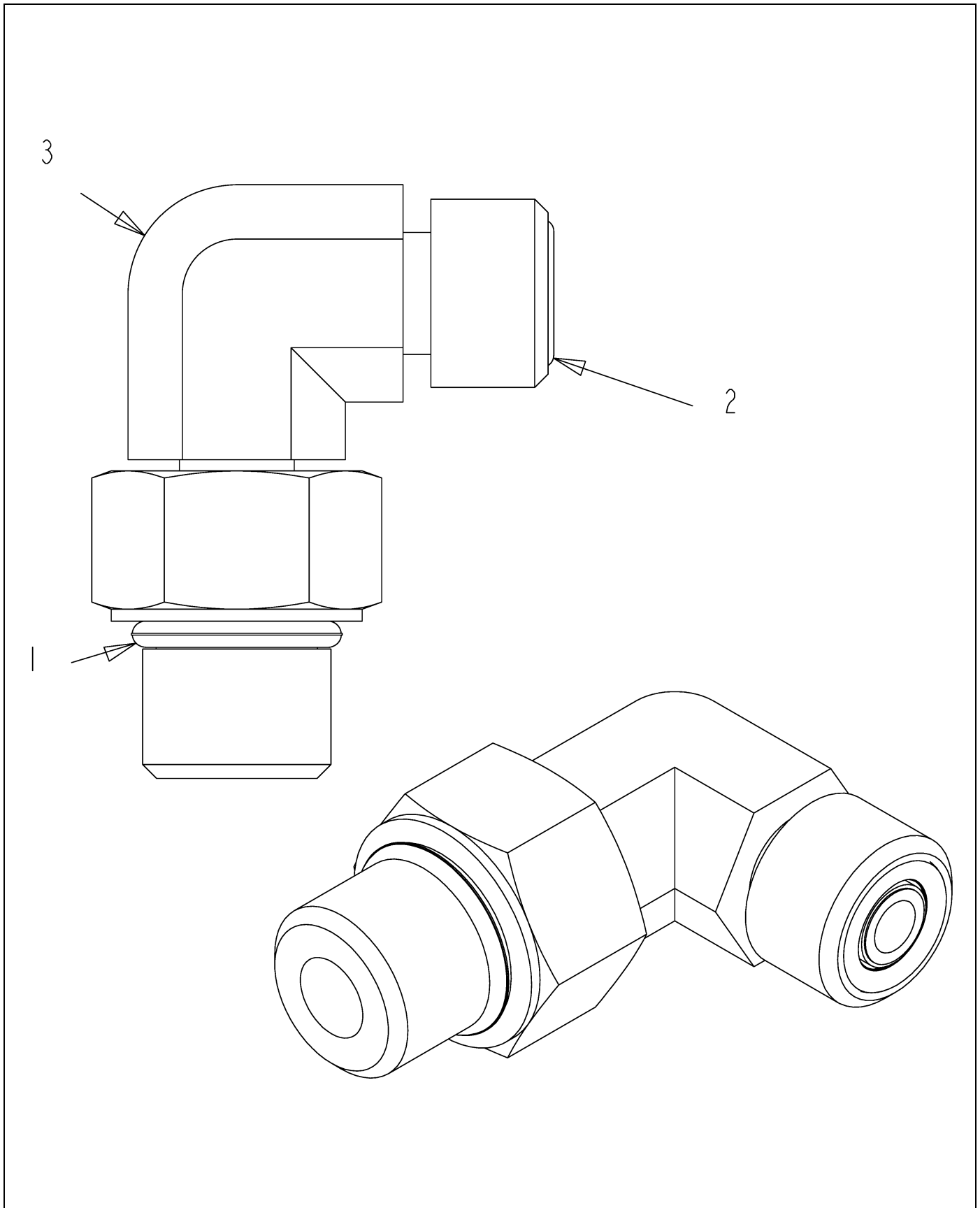


126326-F.TIF

CYLINDER-HYD,3.00X12.00X1.38

ITEM	PART #	QTY	DESCRIPTION	COMMENTS
REF	AG727663	1	SEAL/KIT CYL (126326)	
REF	AG127749	1	SEAL KIT	[A]
2	AG138348	1	CAP/HEAD GLAND	
3	AG138416	1	PISTON	
4	AG727112	1	GLAND/HEAD	
5	AG727107	1	ROD/CYLINDER	
6	AG059665	1	CLEVIS,ADJUSTABLE 522928	
7	AG061236	1	SCREW/SET .313-18X.25	
	FOOTNOTE [A]		ITEMS 15 - 23 CANNOT BE PURCHASED INDIVIDUALLY BUT ARE INCLUDED IN SEAL KIT	

ELBOW-90D,-6STOR X -4ORFS

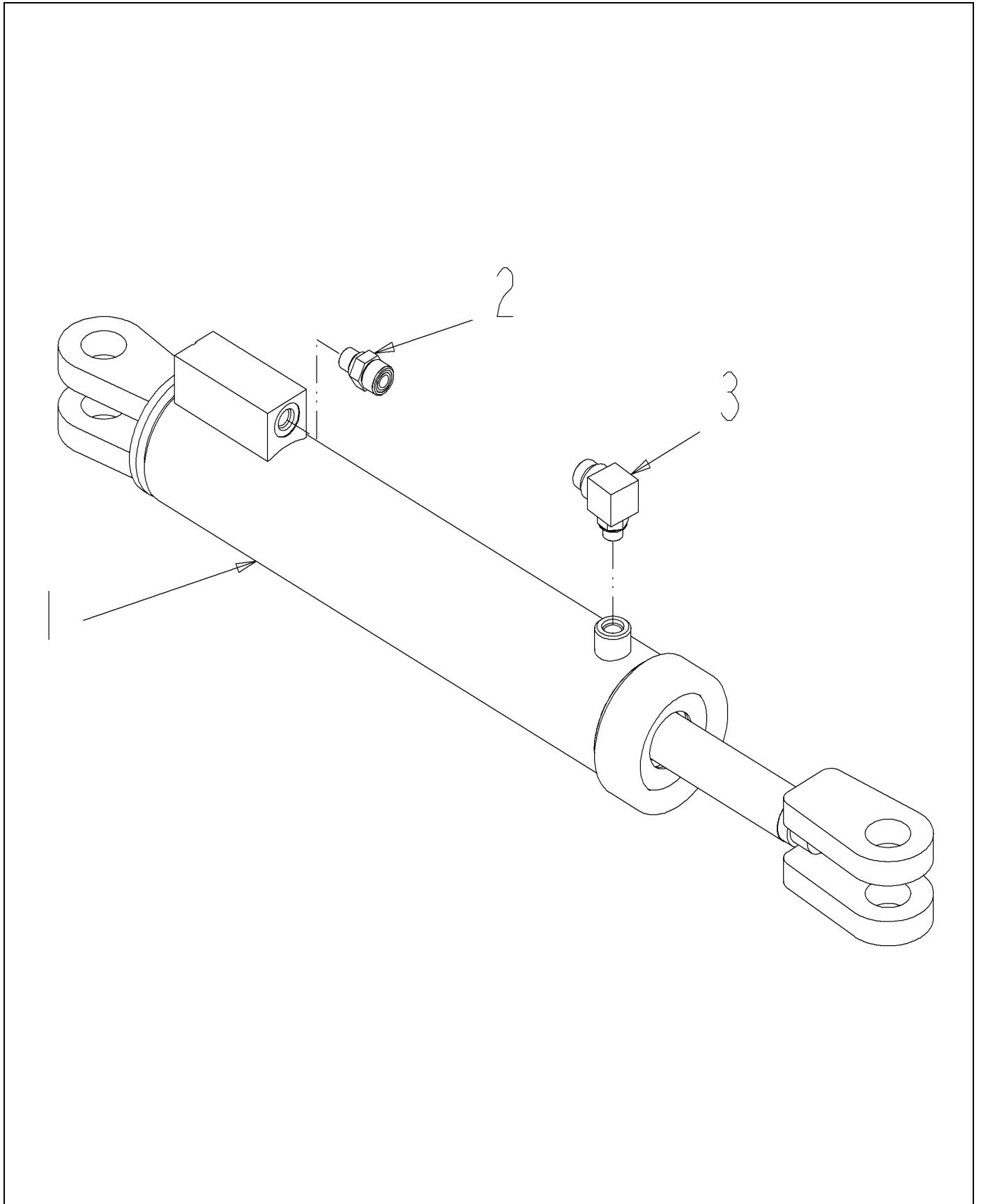


401289X1-01-N562-.TIF

ELBOW-90D,-6STOR X -4ORFS

ITEM	PART #	QTY	DESCRIPTION	COMMENTS
1	400318X1	1	SEAL-O-RING 11.89IDXDIA1.98	
2	400377X1	1	SEAL-O-RING 11.23 ODX1.78 DIA	
3	512476D1	1	ELBOW 90D -6STOR -4ORFS	

CYLINDER ASM-BOOM BREAKAWAY

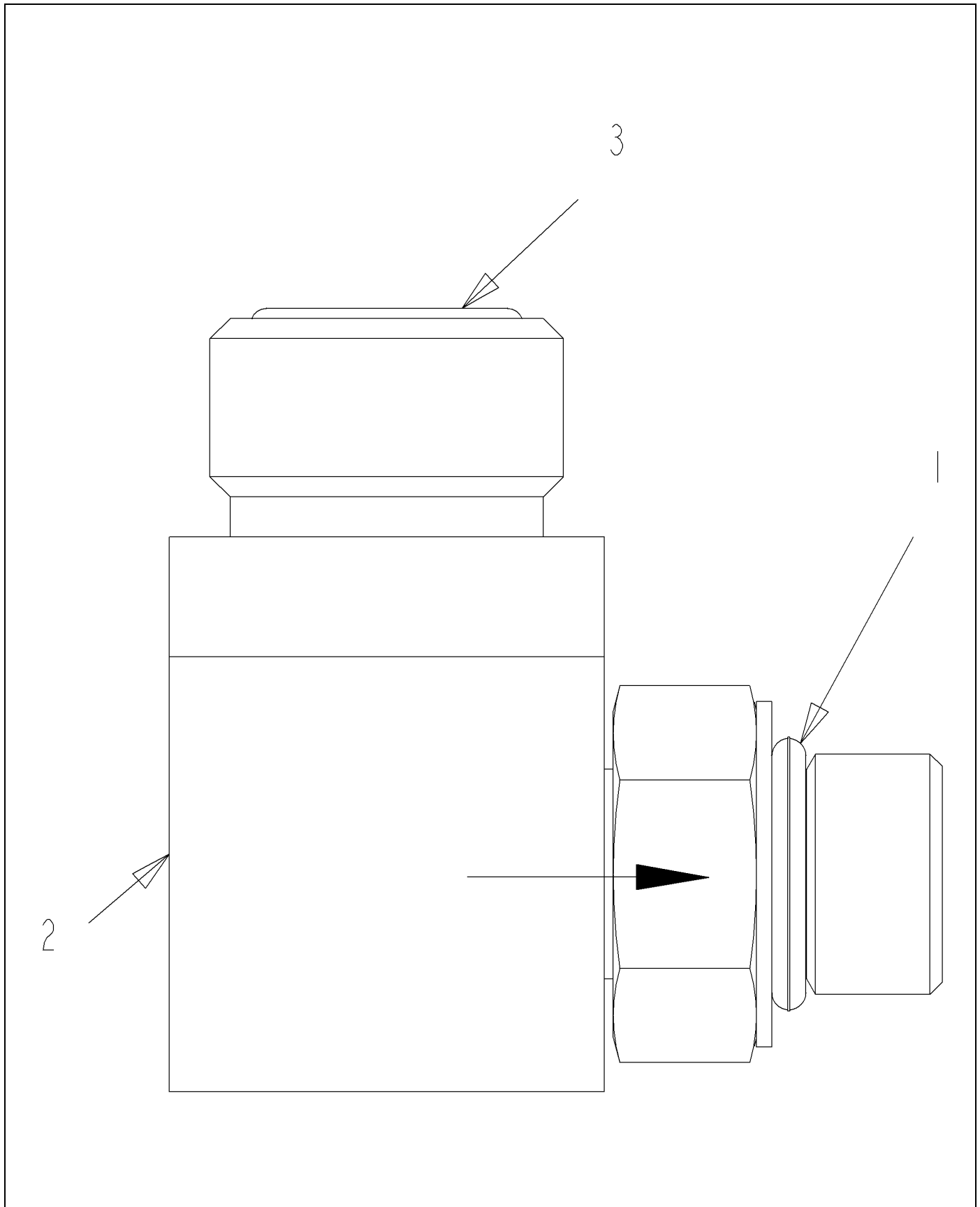


512481D1-02-R313-.TIF

CYLINDER ASM-BOOM BREAKAWAY

ITEM	PART #	QTY	DESCRIPTION	COMMENTS
1	AG424952	1	CYLINDER-HYD,3.00X6.00X1.38	SEE PAGE 5-8
2	400428X1	1	CONNECTOR AS-STR-6STOR-8ORFS	SEE PAGE 5-7
3	401563X1	1	VALVE-CHECK ASM,6MOR X 8ORFS	SEE PAGE 5-5

VALVE-CHECK ASM,6MOR X 8ORFS

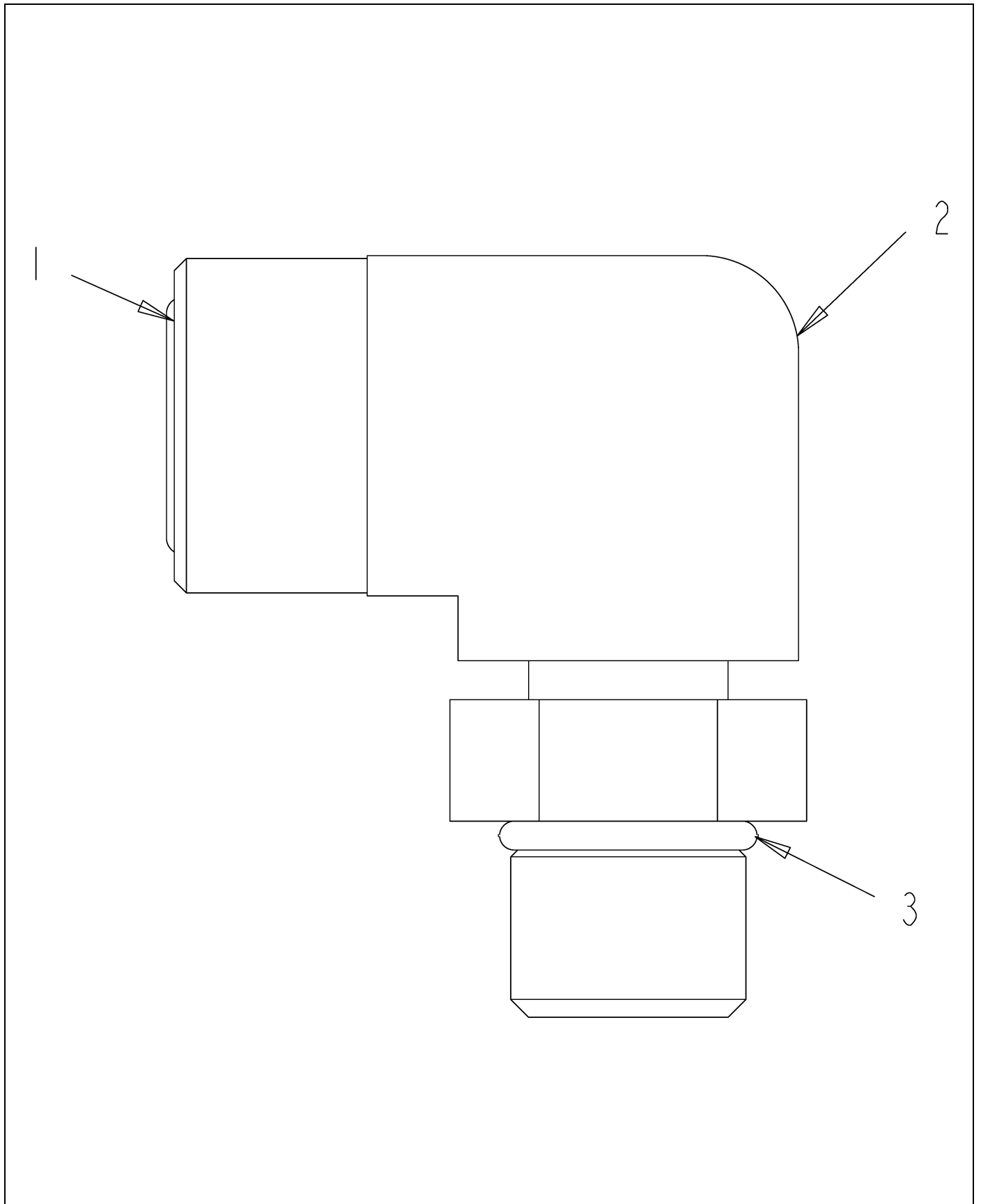


401563X1-01-R313-.TIF

VALVE-CHECK ASM,6MOR X 8ORFS

ITEM	PART #	QTY	DESCRIPTION	COMMENTS
1	400318X1	1	SEAL-O-RING 11.89IDXDIA1.98	
2	401562X1	1	VALVE-CHECK,90D,6MOR X 8ORFS	
3	CH6V-8398	1	SEAL-O-RING-16.03ODX1.78DIA	

ELBOW AS-90DEG-6STOR-8ORFS

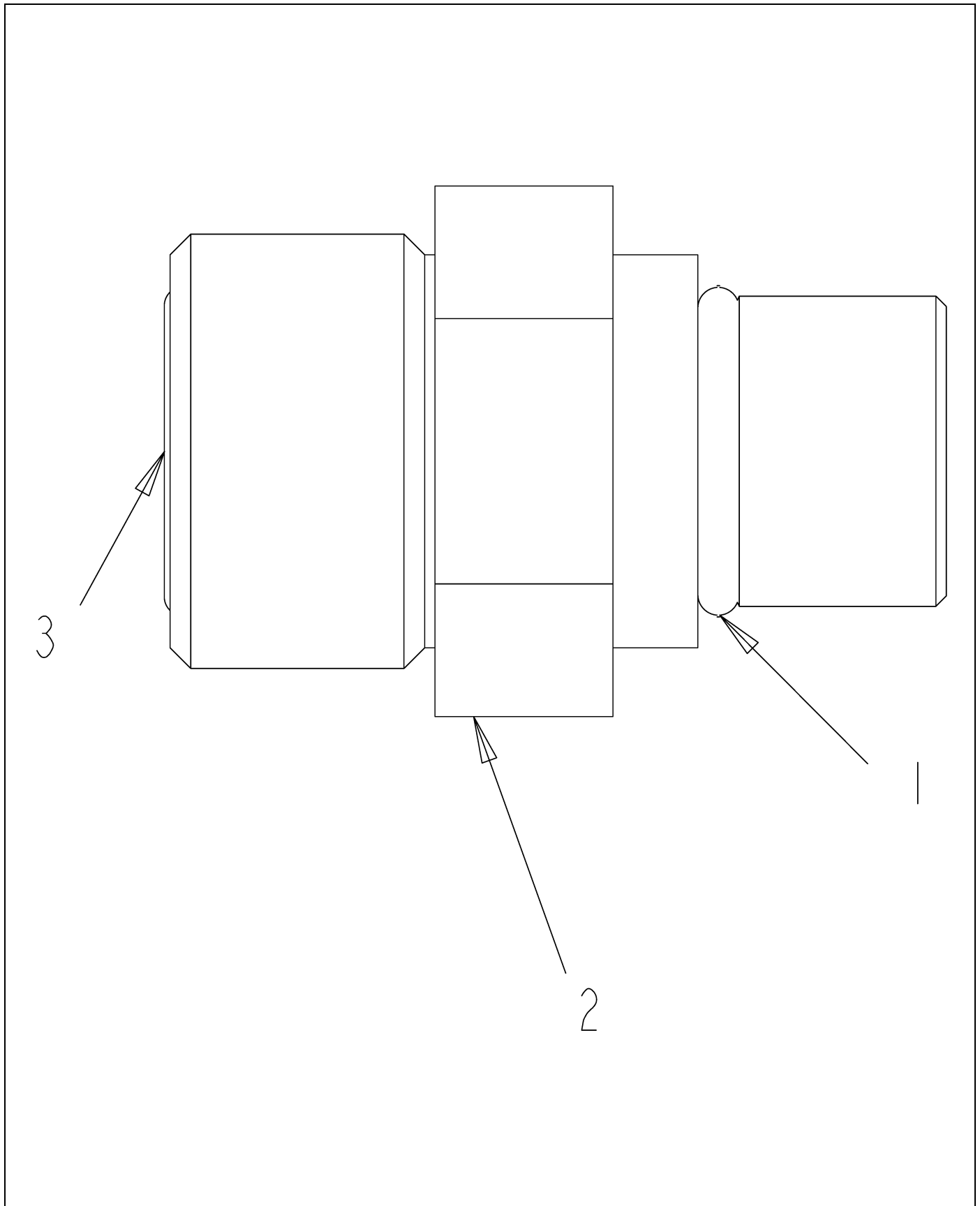


400417X1-01-.TIF

ELBOW AS-90DEG-6STOR-8ORFS

ITEM	PART #	QTY	DESCRIPTION	COMMENTS
1	400318X1	1	SEAL-O-RING 11.89IDXDIA1.98	
2	400418X1	1	ELBOW-90DEG-6STOR-8ORFS	
3	CH6V-8398	1	SEAL-O-RING-16.03ODX1.78DIA	

CONNECTOR AS-STR-6STOR-8ORFS

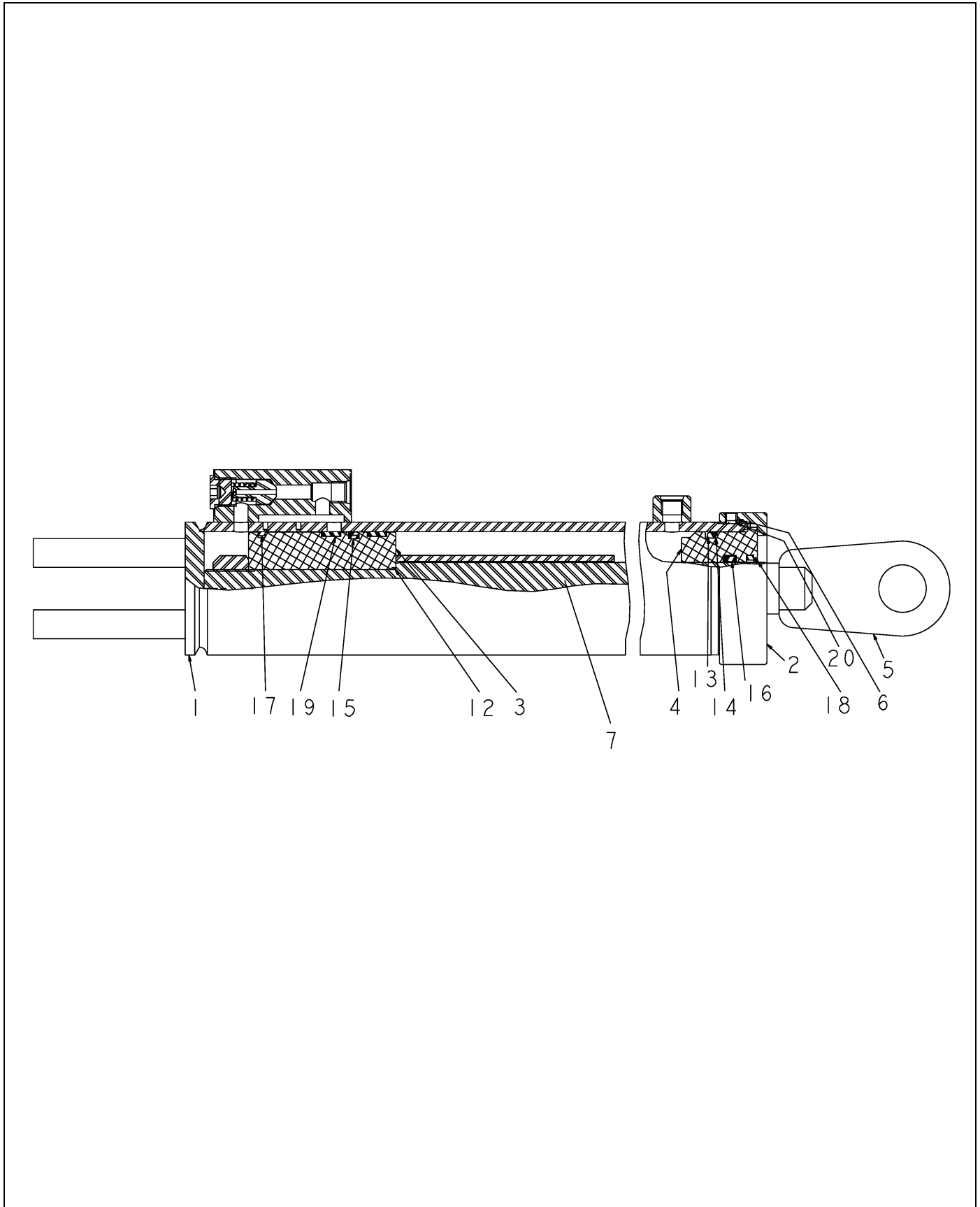


400428X1-01-.TIF

CONNECTOR AS-STR-6STOR-8ORFS

ITEM	PART #	QTY	DESCRIPTION	COMMENTS
1	400318X1	1	SEAL-O-RING 11.89IDXDIA1.98	
2	400429X1	1	CONNECTOR-STR -6 STOR-8 ORFS	
3	CH6V-8398	1	SEAL-O-RING-16.03ODX1.78DIA	

CYLINDER-HYD,3.00X6.00X1.38

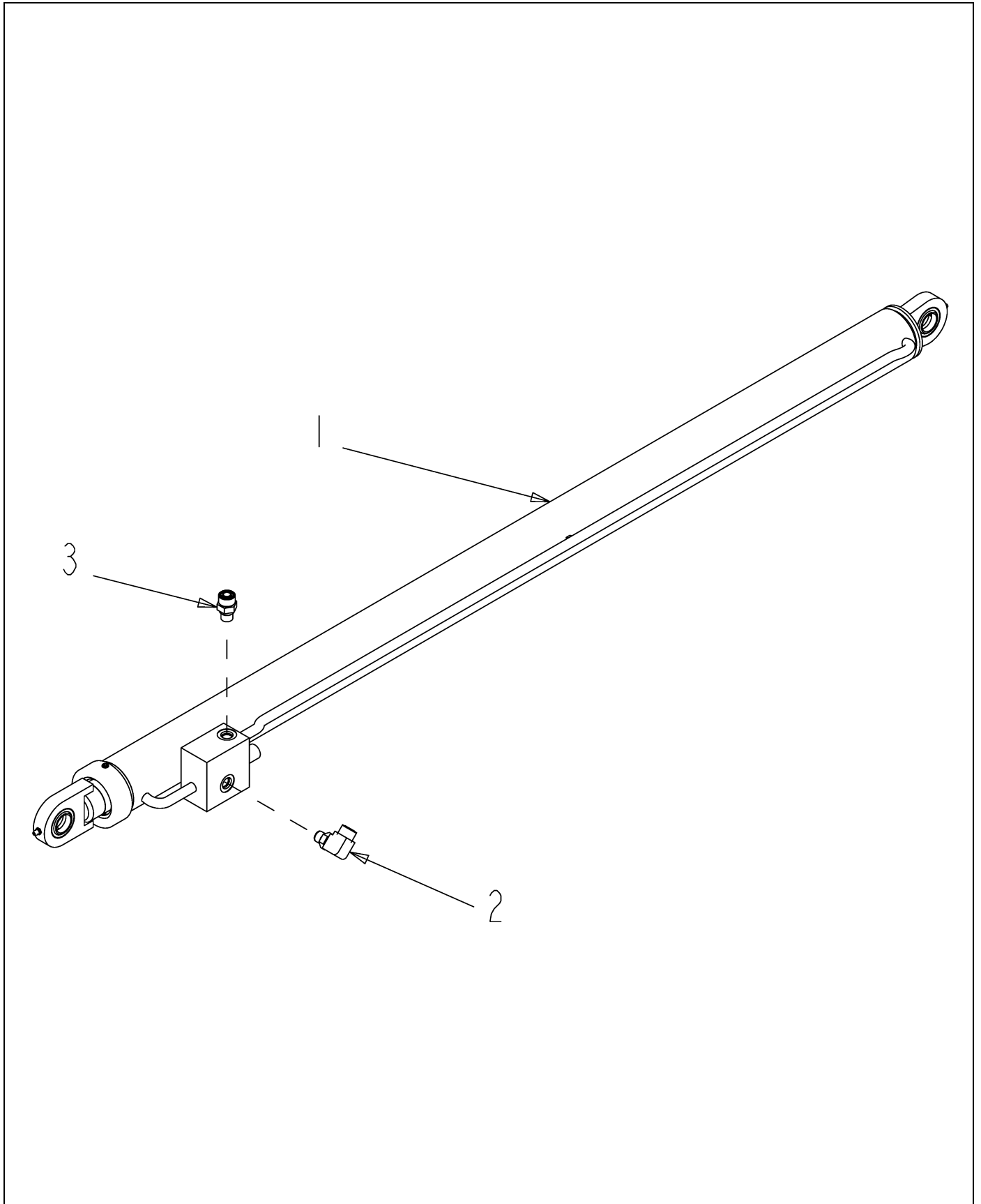


424952-A.TIF

CYLINDER-HYD,3.00X6.00X1.38

ITEM	PART #	QTY	DESCRIPTION	COMMENTS
1	AG727115	1	TUBE / CYLINDER	
2	AG138348	1	CAP/HEAD GLAND	
3	AG727114	1	PISTON	
4	AG727112	1	GLAND/HEAD	
5	AG727113	1	ROD/CYLINDER	
6	AG061236	1	SCREW/SET .313-18X.25	
7	AG610516	1	KIT-SEAL (523017)	[A]
	FOOTNOTE [A]		ITEMS 12 - 20 CANNOT BE PURCHASED INDIVIDUALLY BUT ARE INCLUDED IN SEAL KIT	

CYLINDER ASM-HOIST,BOOM

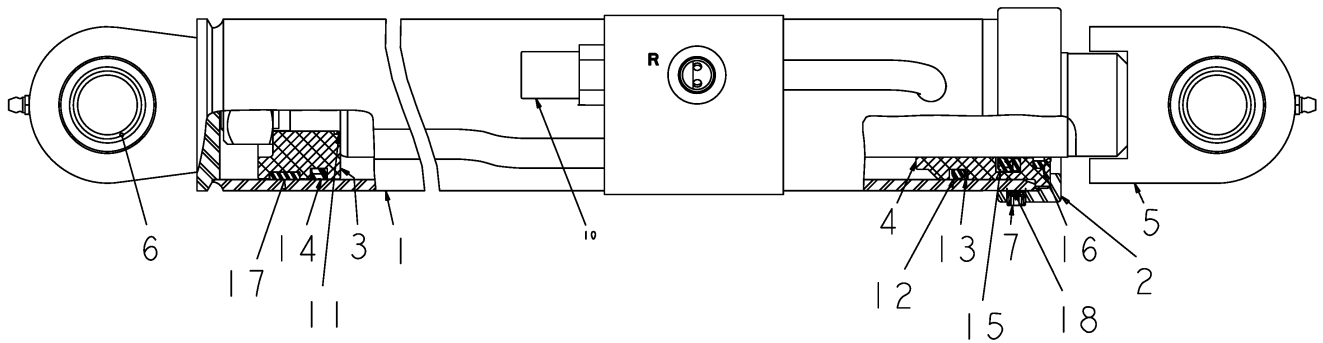


512483D1-01-N562-.TIF

CYLINDER ASM-HOIST,BOOM

ITEM	PART #	QTY	DESCRIPTION	COMMENTS
1	AG122392	1	CYL-HYD,2.5X52X1.75,W/CB VALVE	SEE PAGE 5-10
2	400417X1	1	ELBOW AS-90DEG-6STOR-8ORFS	SEE PAGE 5-6
3	400428X1	1	CONNECTOR AS-STR-6STOR-8ORFS	SEE PAGE 5-7

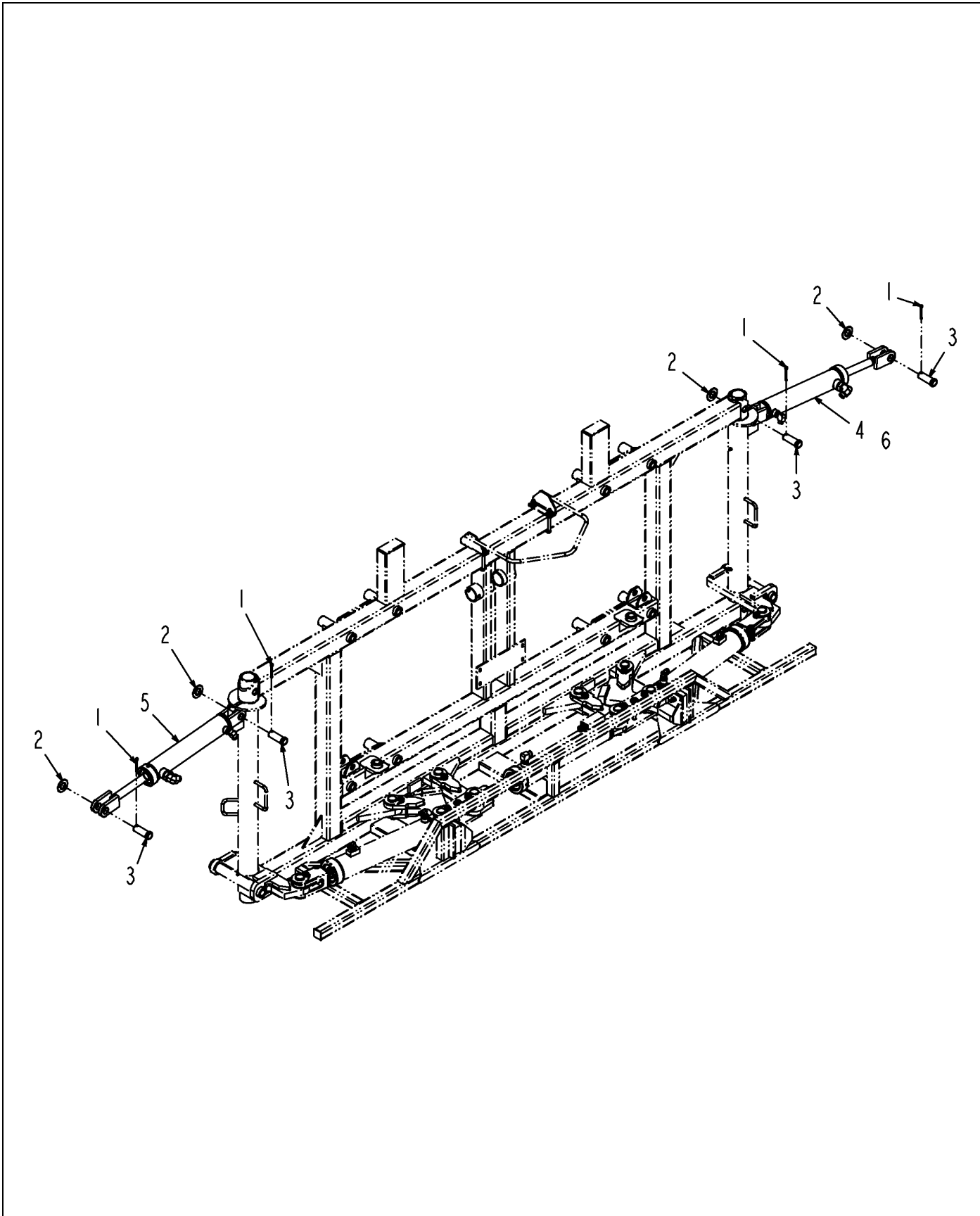
CYL-HYD,2.5X52X1.75,W/CB VALVE



122392-F.TIF

CYL-HYD,2.5X52X1.75,W/CB VALVE

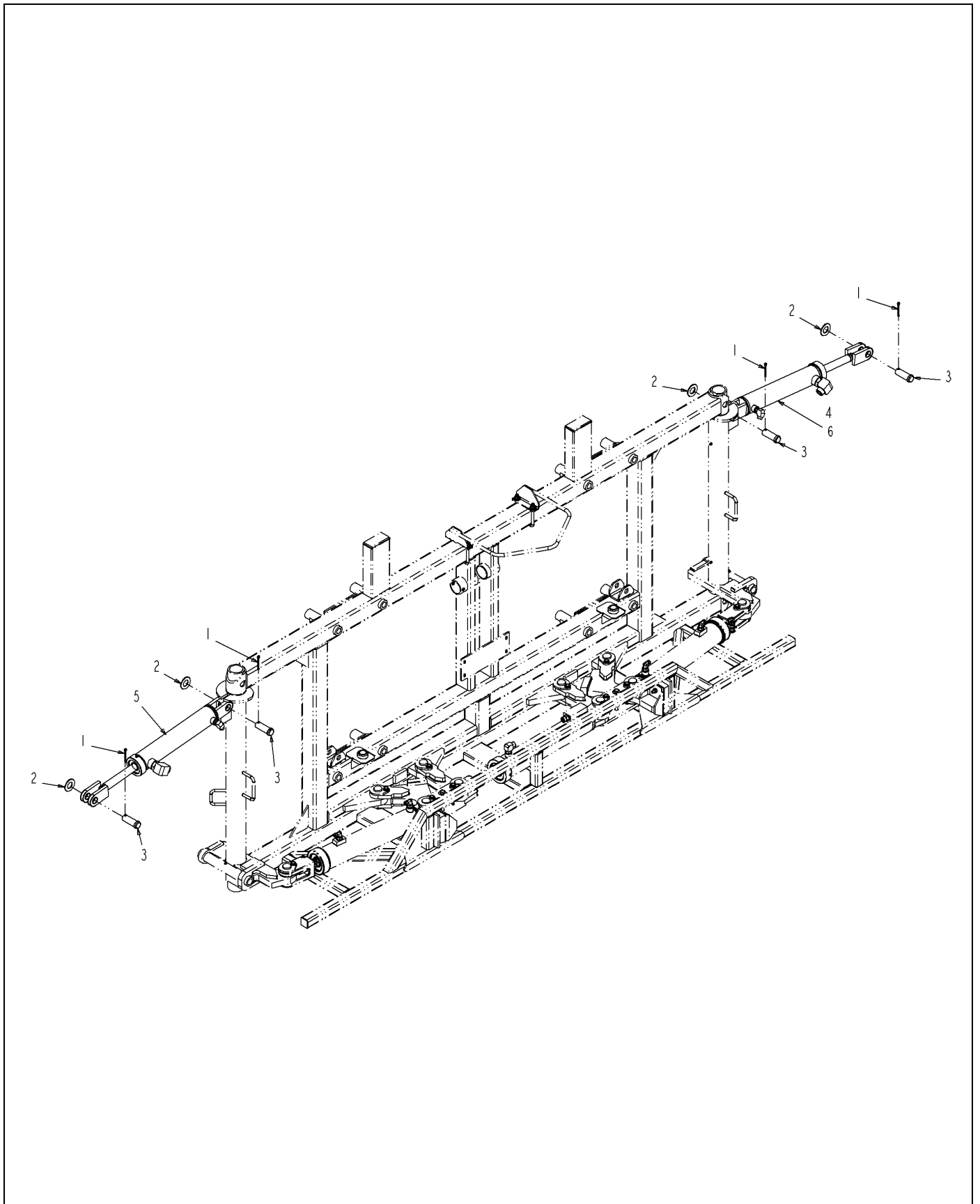
ITEM	PART #	QTY	DESCRIPTION	COMMENTS
1	AG727101	1	TUBE	
2	AG061231	1	CAP/HEAD GLAND	
3	AG727100	1	PISTON	
4	AG727099	1	HEAD/GLAND	
5	AG727098	1	ROD/CYLINDER 122392	
6	AG714999	2	SPHERICAL BEARING 517271	
7	AG061236	1	SCREW/SET .313-18X.25	
8	AG724682	1	ORING	
9	AG724681	1	RING BACKUP	
10	AG122436	1	KIT-SEAL,HYD CYL,092FR0015	[A]
10	AG561826	1	FITTING LUBE 0.25-28 NF 90D	
13	AG709125	1	ZERK GREASE 0.25-28	
	FOOTNOTE [A]		ITEMS 12 - 19 CANNOT BE PURCHASED INDIVIDUALLY BUT ARE INCLUDED IN SEAL KIT	



519371D1-01-R284-.TIF

CYL INSTL-TLT,AUTOBM,80/90/100

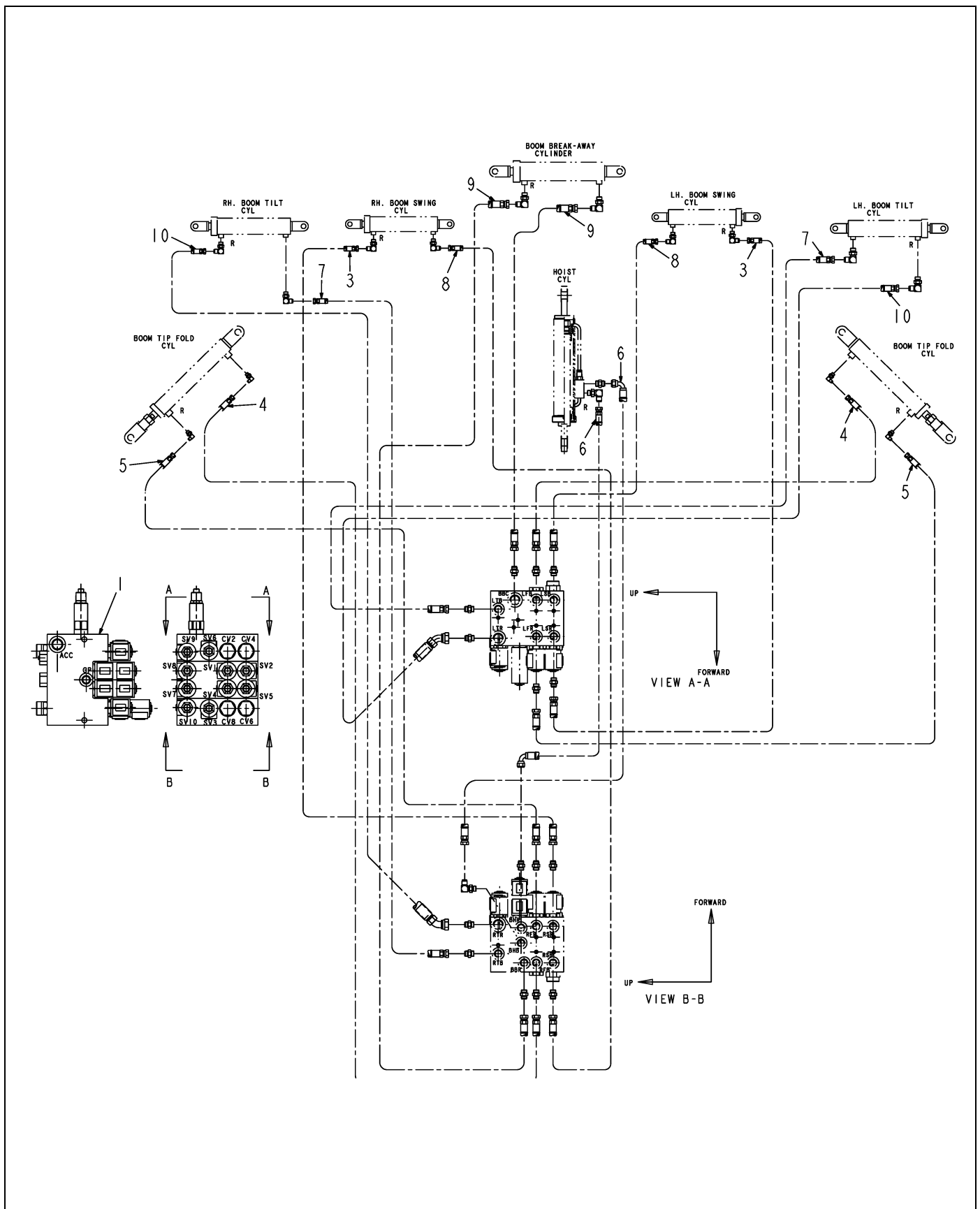
ITEM	PART #	QTY	DESCRIPTION	COMMENTS
1	AG515352	4	PIN COTTER 0.18X2.00 SS	
2	AG551856	4	WASHER 1.00 FL ZN SAE TYPE-A	
3	AG602132	4	PIN CLEVIS 1.00X2.62 ZN	[A]
4	512600D1	1	CYL ASM-TILT,BM,W/AUTOBOOM,RH	SEE PAGE 11-19
5	512601D1	1	CYL ASM-TILT,BM,W/AUTOBOOM,LH	SEE PAGE 11-20
6	519372D1	1	HOSE INSTL-HYD,W/AUTOBOOM,BM	
	FOOTNOTE [A]		GREASABLE PIN IS 519637	



512517D1-02-R284-.TIF

CYL INSTL-TILT,STD,80/90/100

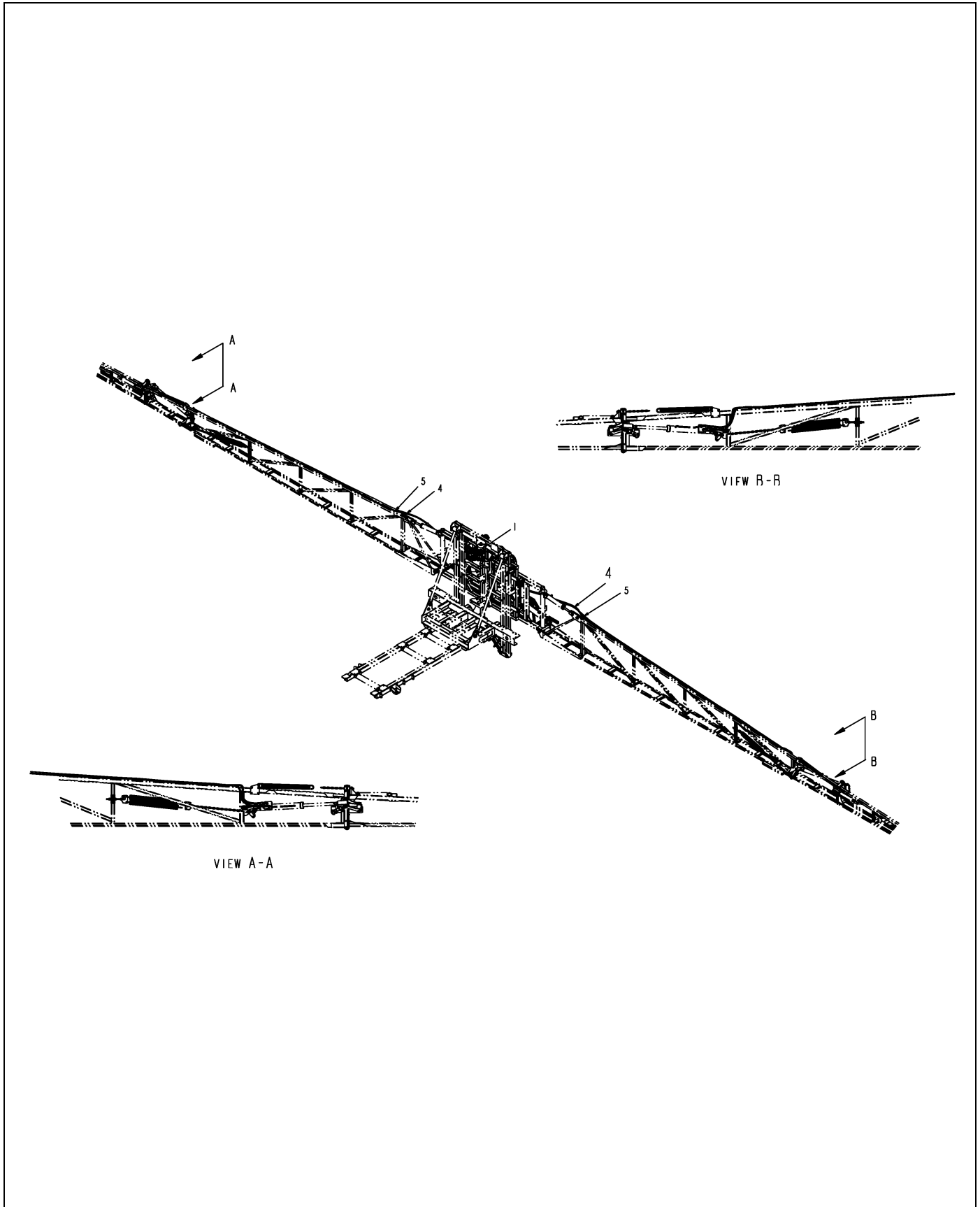
ITEM	PART #	QTY	DESCRIPTION	COMMENTS
1	AG515352	4	PIN COTTER 0.18X2.00 SS	
2	AG551856	4	WASHER 1.00 FL ZN SAE TYPE-A	
3	AG602132	4	PIN CLEVIS 1.00X2.62 ZN	[A]
4	512518D1	1	PLMB INSTL-HYD,BOOM,80/90/100	SEE PAGE 5-14
5	512521D1	1	CYLINDER ASM-BOOM TILT,LH	SEE PAGE 5-37
6	512522D1	1	CYLINDER ASM-BOOM TILT,RH	SEE PAGE 5-39
	FOOTNOTE [A]		GREASABLE PIN IS 519637	



512518D1-01-N562-01.TIF

PLMB INSTL-HYD,BOOM,80/90/100

ITEM	PART #	QTY	DESCRIPTION	COMMENTS
1	512519D1	-	BLOCK ASM-HYD,BOOM	SEE PAGE 5-15
2	512520D1	1	KIT-HOSE,BOOM PLMB	
3	512544D1	-	HOSE ASM,-4X158.0 ORFS/ORFS	
4	512545D1	-	HOSE ASM,-4X399.0 6ORFS/ORFS	
5	512546D1	-	HOSE ASM,-4X417.0 6ORFS/ORFS	
6	512547D1	-	HOSE ASM,-8X60.0 ORFS/ORFS90	
7	512548D1	-	HOSE ASM,-6X126.0 ORFS/ORFS	
8	512549D1	-	HOSE ASM,-4X168.0 6ORFS/ORFS	
9	512550D1	-	HOSE ASM,-8X200.0 ORFS/ORFS	
10	512551D1	-	HOSE ASM,-12X132.0 ORFS/ORFS45	

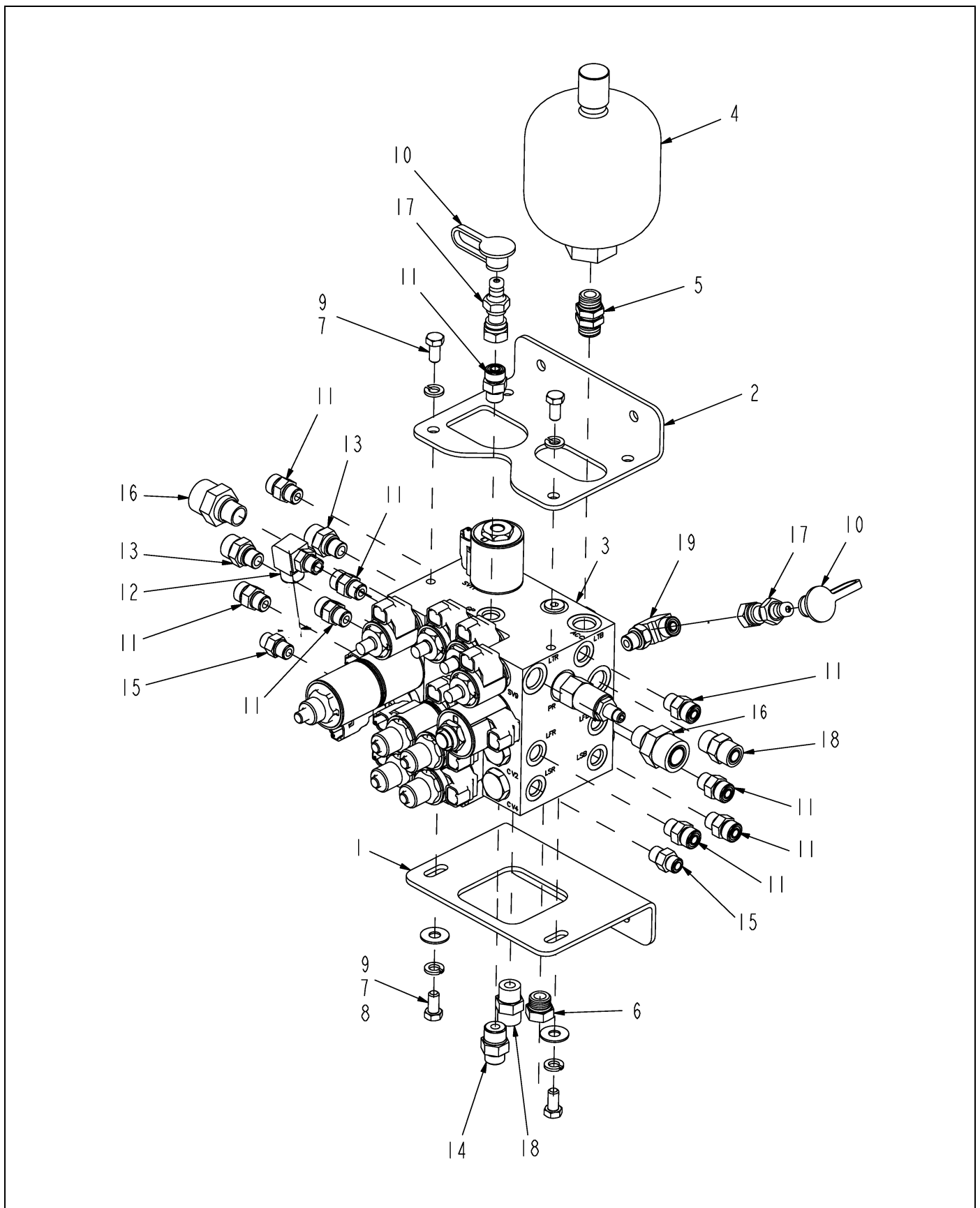


512518D1-01-N562-02.TIF

PLMB INSTL-HYD,BOOM,80/90/100

ITEM	PART #	QTY	DESCRIPTION	COMMENTS
1	512519D1	-	BLOCK ASM-HYD,BOOM	SEE PAGE 5-15
4	512545D1	-	HOSE ASM,-4X399.0 6ORFS/ORFS	
5	512546D1	-	HOSE ASM,-4X417.0 6ORFS/ORFS	

BLOCK ASM-HYD,BOOM

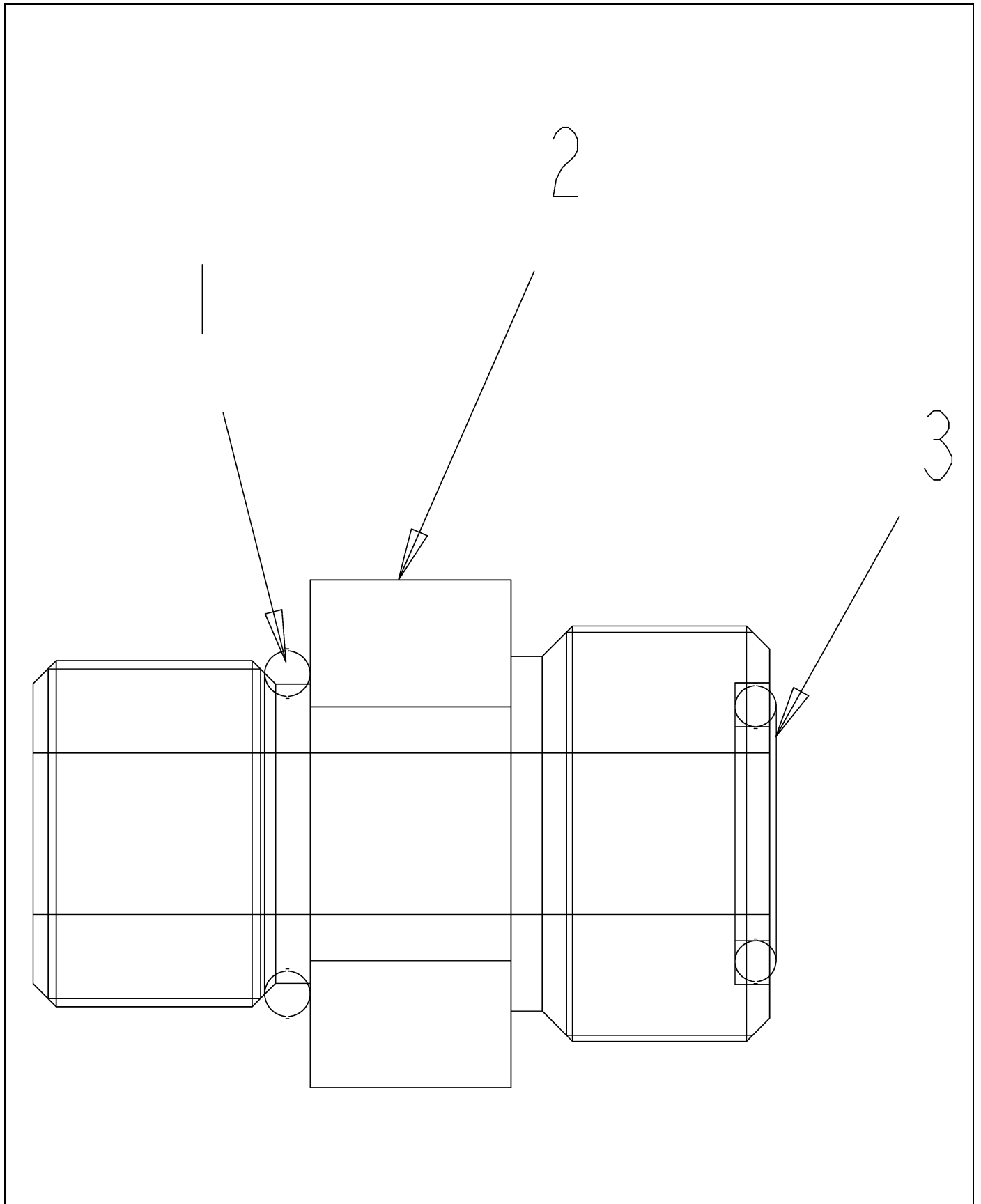


512519D1-01-N562-.TIF

BLOCK ASM-HYD,BOOM

ITEM	PART #	QTY	DESCRIPTION	COMMENTS
1	AG327803	1	BRKT-MTG,LOWER,VALVE BLOCK	
2	AG327804	1	BRKT-MTG,UPPER,BLOCK,VALVE	
3	AG424252	1	VALVE-HYD,7 BANK,W/BREAKAWAY	SEE PAGE 5-21
4	AG523544	1	ACCUM-HYD,DIAPH,45CU IN(MV)	
5	AG524378	1	ADPTR-STR,.50MO-R X .50MO-R	SEE PAGE 5-22
6	AG560899	1	PLUG 0.50MO-R HEX	
7	AG562050	4	WASHER 0.37 LK SS REG	
8	AG562073	2	WASHER 0.37 FL SS REG TYPE-B	
9	AG562120	4	BOLT 0.37-16NCX 0.75 S.S. HDD	
10	400323X1	2	CAP-DUST 12.6 DIA -RUBBER	
11	400367X1	9	CONNECTOR AS-6 STOR -6 ORFS	SEE PAGE 5-16
12	400417X1	1	ELBOW AS-90DEG-6STOR-8ORFS	SEE PAGE 5-6
13	400428X1	2	CONNECTOR AS-STR-6STOR-8ORFS	SEE PAGE 5-7
14	400628X1	1	CONNECTOR AS-STR-8STOR-6ORFS	SEE PAGE 5-17
15	400630X1	2	CONNECTOR AS-STR-6STOR-4ORFS	SEE PAGE 5-18
16	400963X1	2	CONNECTOR AS-STR -8STOR-12ORFS	
17	401024X1	2	NIPPLE-TEST PORT,PD,-06 ORFS	
18	CH148-8340	2	CONNECTOR AS -8ORFS-8STOR	SEE PAGE 5-23
19	CH148-8378	1	ELBOW AS-90-6STOR X 6ORFS	SEE PAGE 5-24

CONNECTOR AS-6 STOR -6 ORFS

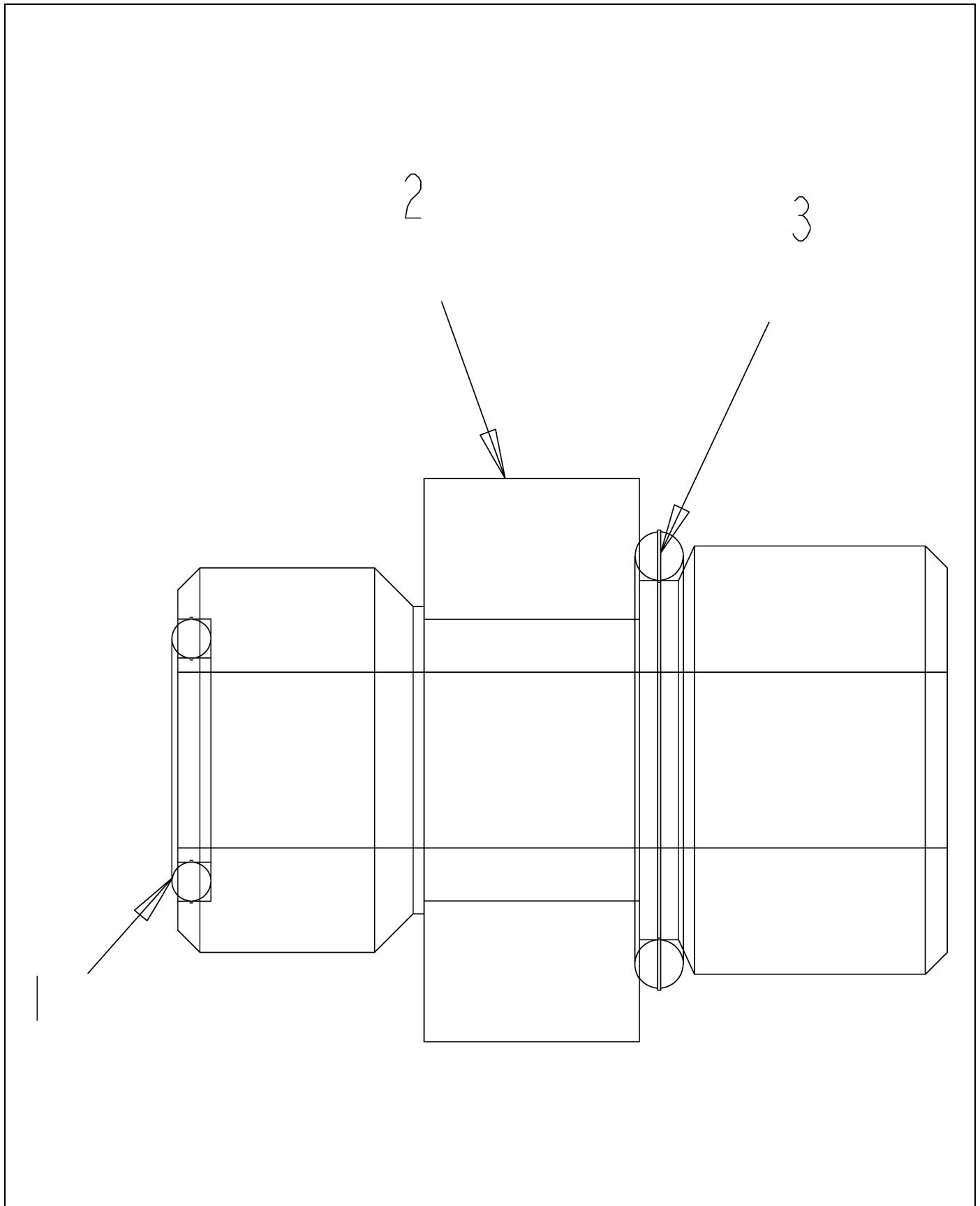


400367X1-01-.TIF

CONNECTOR AS-6 STOR -6 ORFS

ITEM	PART #	QTY	DESCRIPTION	COMMENTS
1	400318X1	1	SEAL-O-RING 11.89IDXDIA1.98	
2	400372X1	1	CONNECTOR-STR -6 STOR -6 ORFS	
3	400378X1	1	SEAL-O-RING 12.83 ODX1.78 DIA	

CONNECTOR AS-STR-8STOR-6ORFS

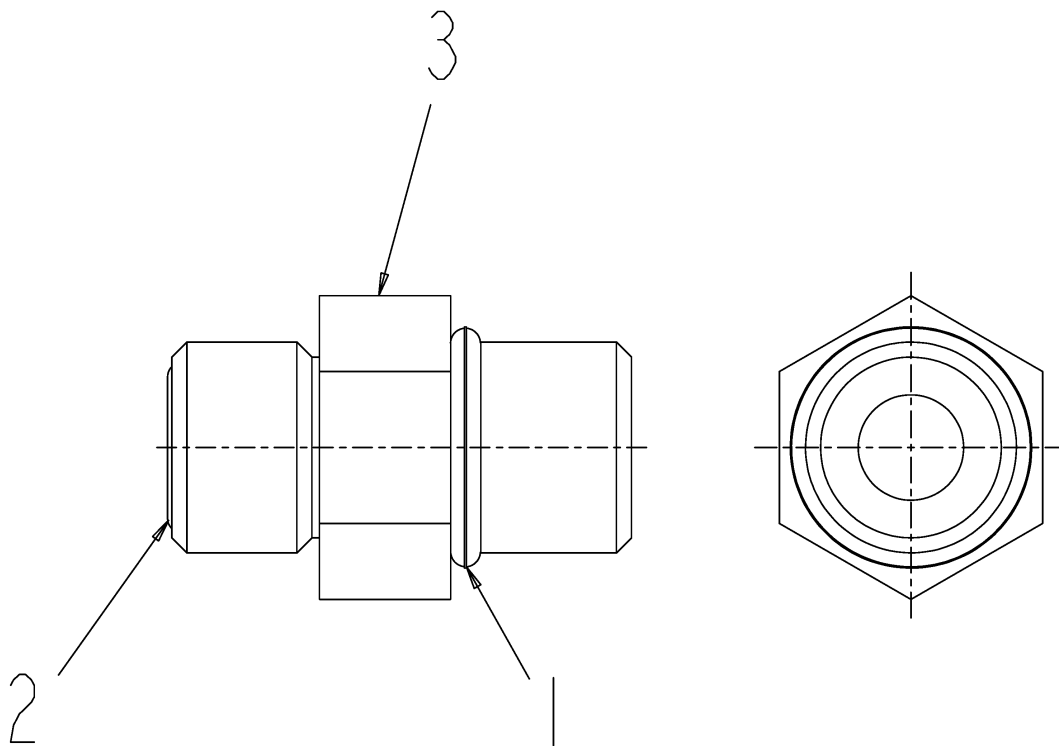


400628X1-01-.TIF

CONNECTOR AS-STR-8STOR-6ORFS

ITEM	PART #	QTY	DESCRIPTION	COMMENTS
1	400378X1	1	SEAL-O-RING 12.83 ODX1.78 DIA	
2	400627X1	1	CONNECTOR-STR-8STOR-6ORFS	
3	CH3K-0360	1	SEAL-O-RING 16.36IDX2.21DIA	

CONNECTOR AS-STR-6STOR-40ORFS

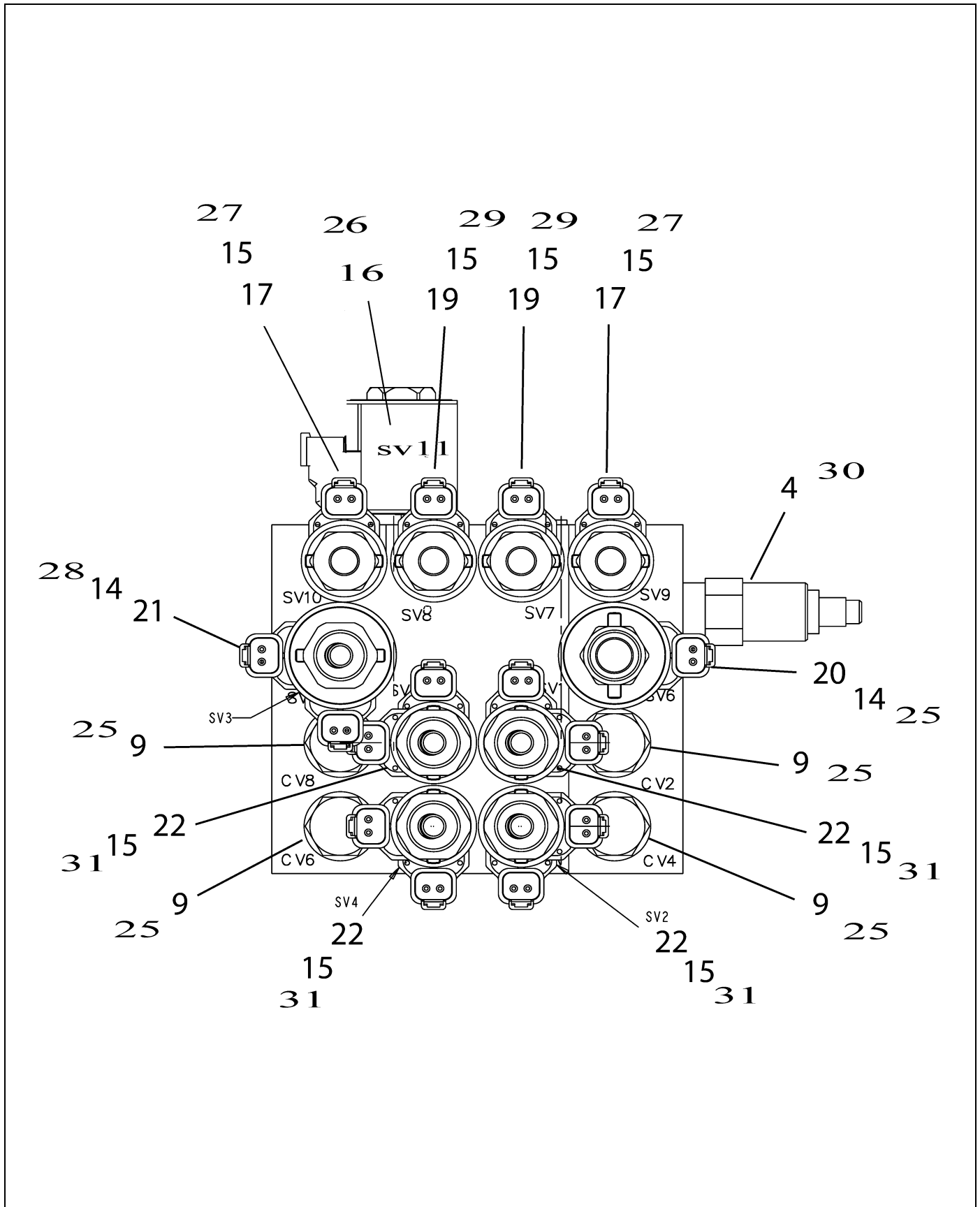


400630X1-01-.TIF

CONNECTOR AS-STR-6STOR-40ORFS

ITEM	PART #	QTY	DESCRIPTION	COMMENTS
1	400318X1	1	SEAL-O-RING 11.89IDXDIA1.98	
2	400377X1	1	SEAL-O-RING 11.23 ODX1.78 DIA	
3	400629X1	1	CONNECTOR-STR-6STOR-4ORFS	

VALVE-HYD,7 BANK,W/BREAKAWAY

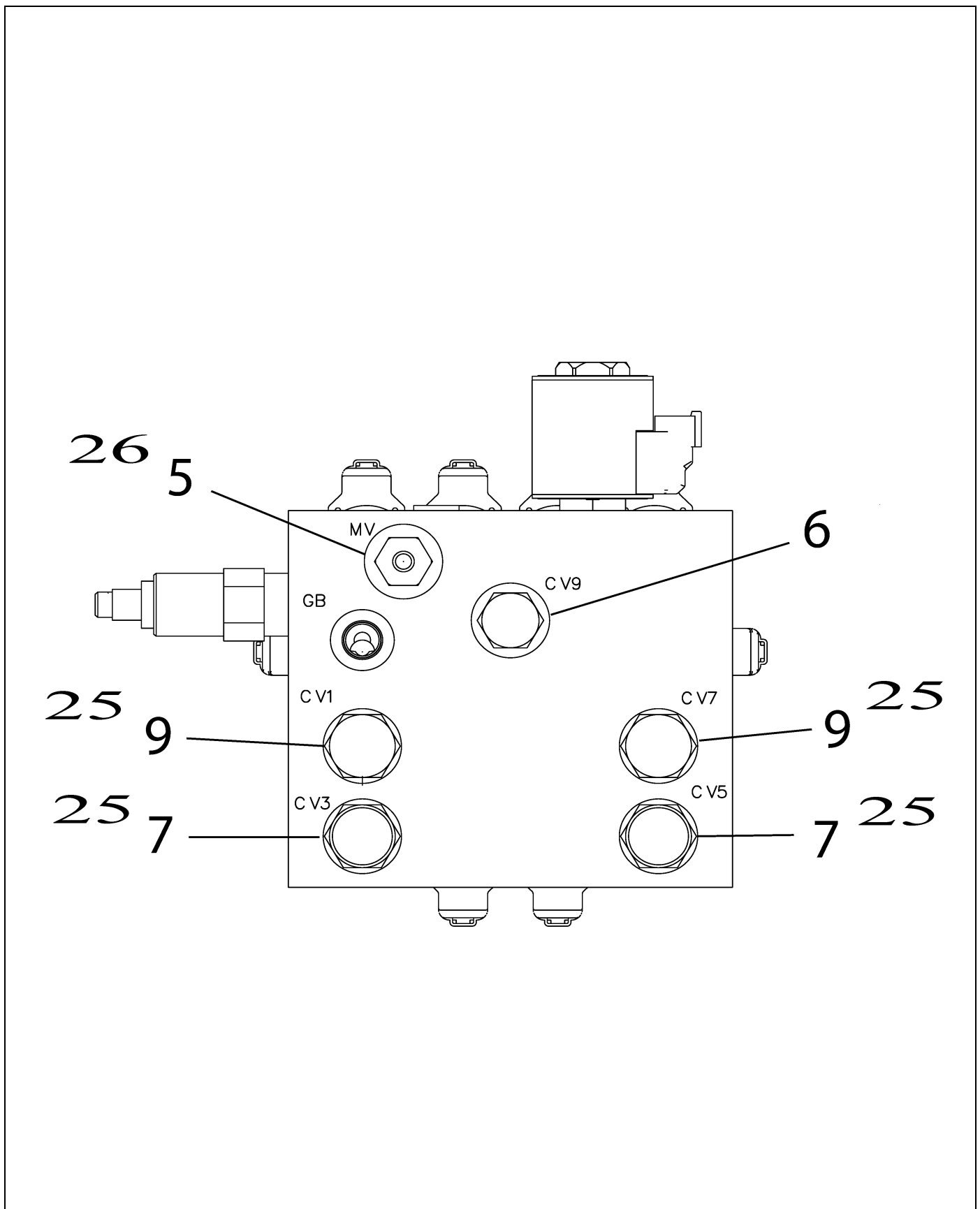


424252-G-J929-2.TIF

VALVE-HYD,7 BANK,W/BREAKAWAY

ITEM	PART #	QTY	DESCRIPTION	COMMENTS
1	AG522023	AR	PLATE-ORFICE,2 WAY,.040 DIA	
2	AG524369	AR	ORIFICE-2WAY,.052,-6SAE THR	
3	AG059148	AR	ORIFICE	
4	AG121489	AR	VLV-PILOT OPER,PRESS RED,10	
8	AG715569	AR	PILOT PISTON	
9	AG715570	AR	CHECK VALVE	
10	AG121485	AR	SPACER-E COIL,10	
11	AG121486	AR	SPACER-E COIL,08	
12	AG726853	AR	NUT/PUSH COIL,E-SERIES	
13	AG726854	AR	NUT/PULL COIL E-SERIES	
14	AG121484	AR	COIL-E,12VDC DEUTCH W/DIODE,10	
15	AG121483	AR	COIL-E,12VDC DEUTCH W/DIODE,08	
16	AG725602	AR	CARTRIDGE-SOLENOID VALVE	
17	AG718059	AR	CARTRIDGE-2WAY,NORMALLY CLOSED	[A]
18	AG718011	AR	ORIFICE BOOM	
19	AG724687	AR	SOLENOID VALVE 523480	
20	AG125811	1	VALVE-SOL,2WAY POPPET,18 GPM	
21	AG721899	AR	CARTRIDGE PUMP	
22	AG727147	-	VALVE/SOLENOID	
23	AG121921	AR	NUT-PULL COIL,E-SERIES,#8	
24	AG121920	AR	NUT-PULL COIL,E-SERIES,#10	
25	AG059018	-	SEAL KIT	
26	AG121382	-	KIT-SEAL,MANUAL,SPRING RETURN	
27	AG716811	-	KIT-ORING,ND VALVE(609465)	
28	AG715207	-	SEAL KIT	
29	AG714832	-	SEAL KIT 712817	
30	AG121495	-	KIT-SEAL,VALVE,-10	
31	AG716814	-	KIT-ORING,SPOOL VIV,4W(609463)	
	FOOTNOTE [A]		SEAL KIT - AG716811	

VALVE-HYD,7 BANK,W/BREAKAWAY

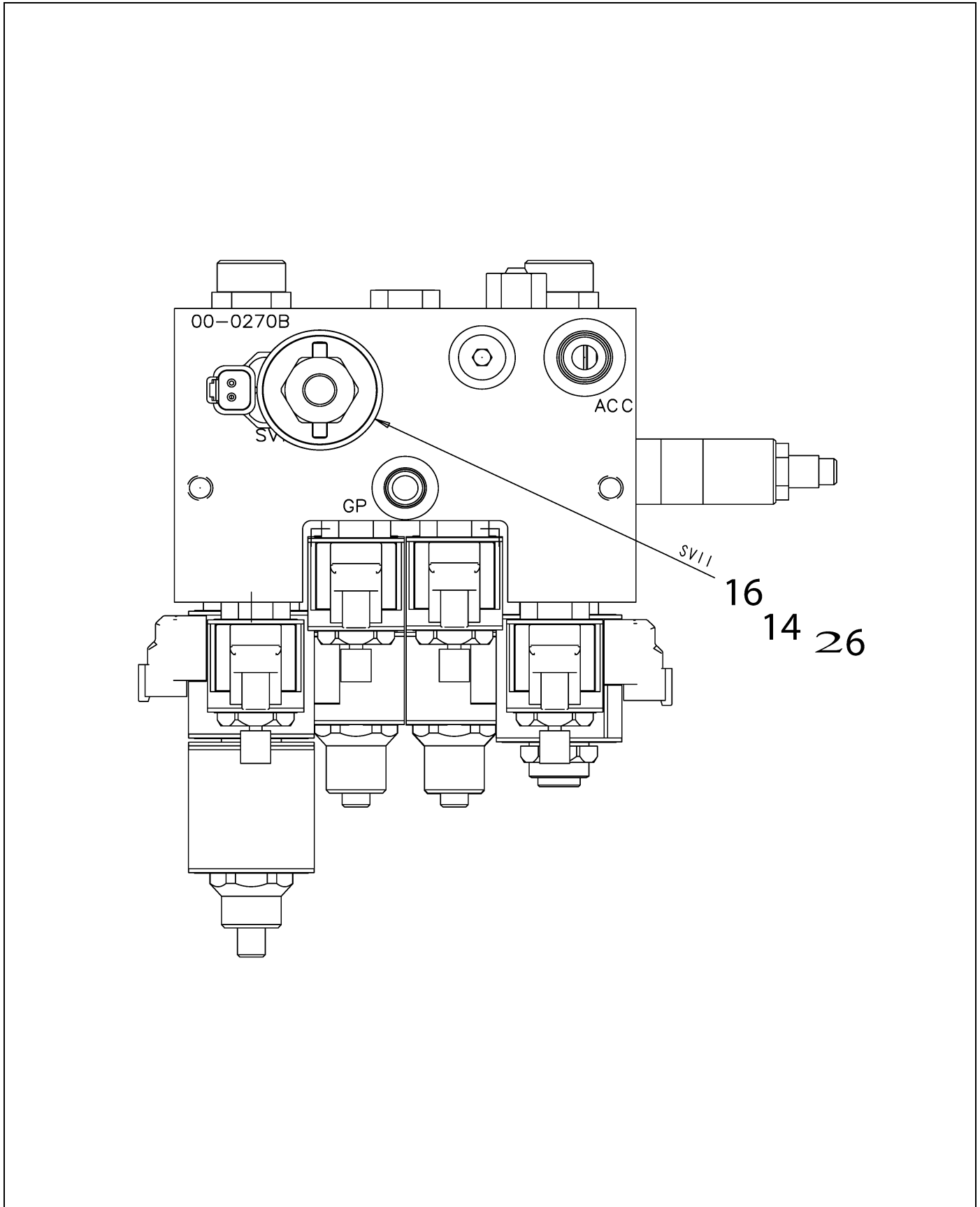


424252-G-J929-3.TIF

VALVE-HYD,7 BANK,W/BREAKAWAY

ITEM	PART #	QTY	DESCRIPTION	COMMENTS
5	AG121927	AR	VALVE-RELEASE,MANUAL,#8	
6	AG717712	AR	VALVE- CHECK	
7	AG715571	AR	CHECK VALVE	
9	AG715570	AR	CHECK VALVE	
25	AG059018	-	SEAL KIT	
26	AG121382	-	KIT-SEAL,MANUAL,SPRING RETURN	

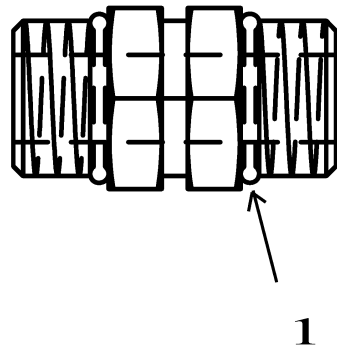
VALVE-HYD,7 BANK,W/BREAKAWAY



424252-G-J929-4.TIF

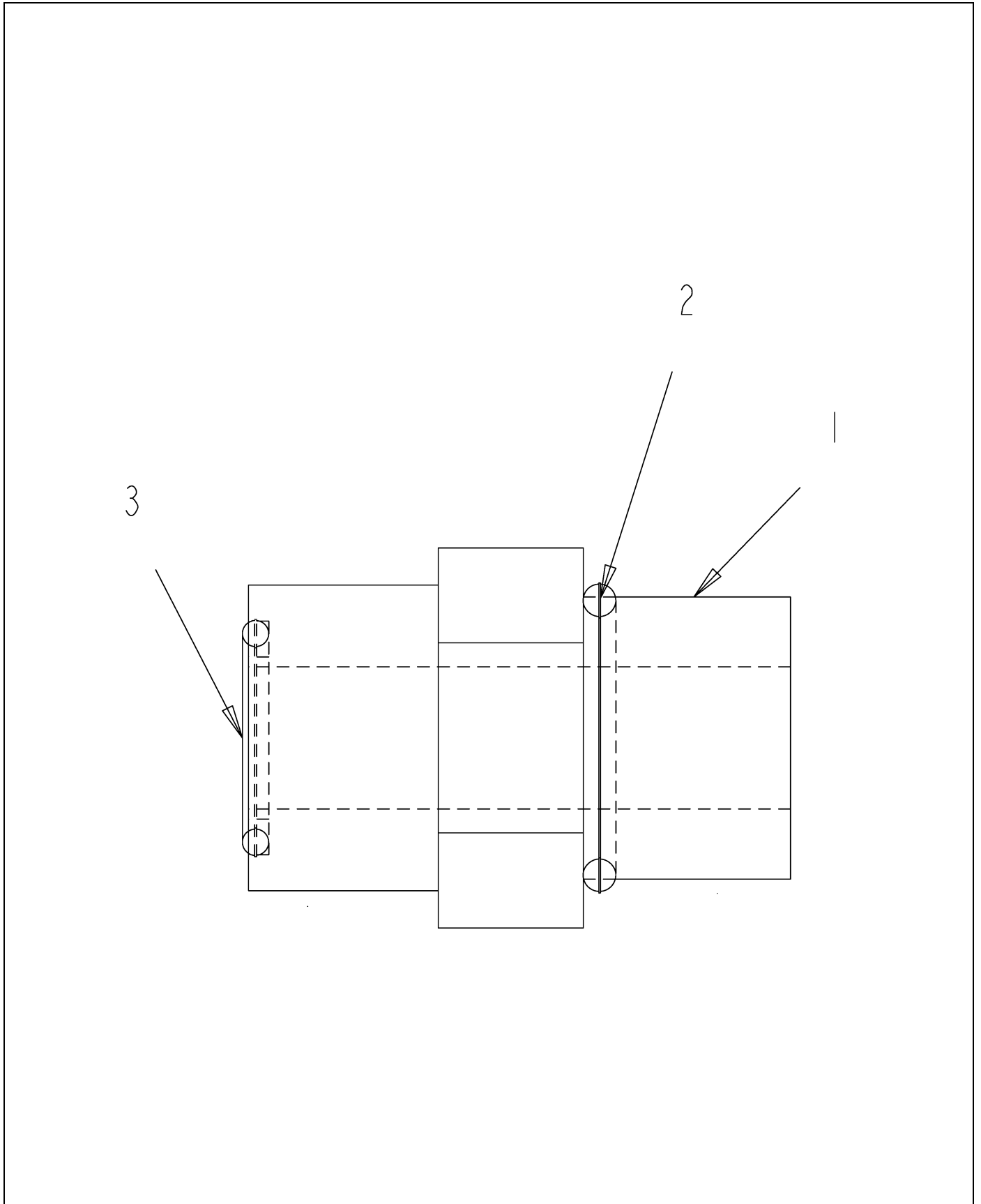
VALVE-HYD,7 BANK,W/BREAKAWAY

ITEM	PART #	QTY	DESCRIPTION	COMMENTS
14	AG121484	AR	COIL-E,12VDC DEUTCH W/DIODE,10	
16	AG725602	AR	CARTRIDGE-SOLENOID VALVE	
26	AG121382	-	KIT-SEAL,MANUAL,SPRING RETURN	



ADPTR-STR,.50MO-R X .50MO-R

ITEM	PART #	QTY	DESCRIPTION	COMMENTS
1	AG713670	-	O RING POLY	

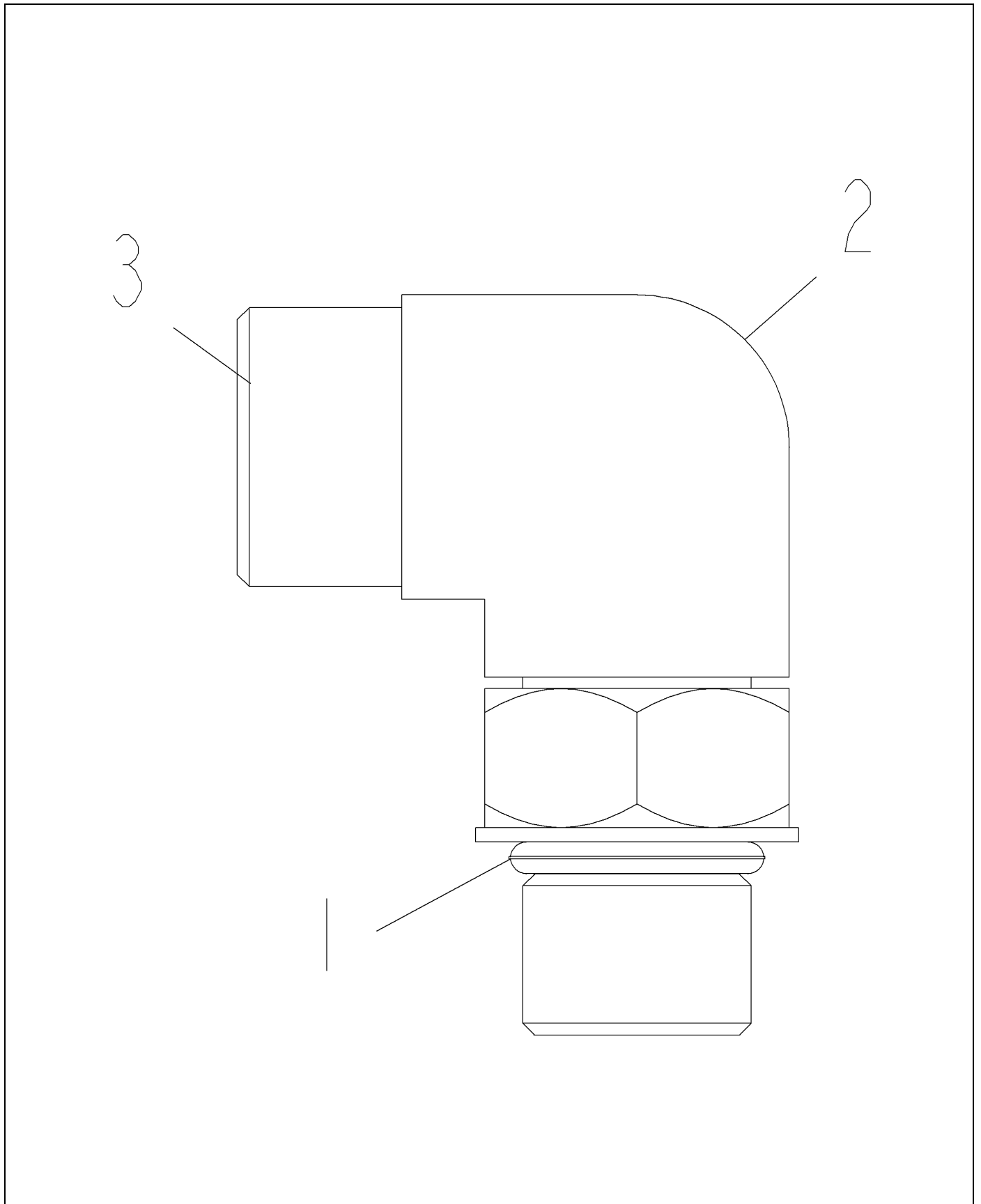


CH148-8340-K365-.TIF

CONNECTOR AS. ELEC

ITEM	PART #	QTY	DESCRIPTION	COMMENTS
1	CH6V-8639	1	CONNECTOR-STR-12.7 STR -8 ORFS	
2	CH3K-0360	1	SEAL-O-RING 16.36IDX2.21DIA	
3	CH6V-8398	1	SEAL-O-RING-16.03ODX1.78DIA	

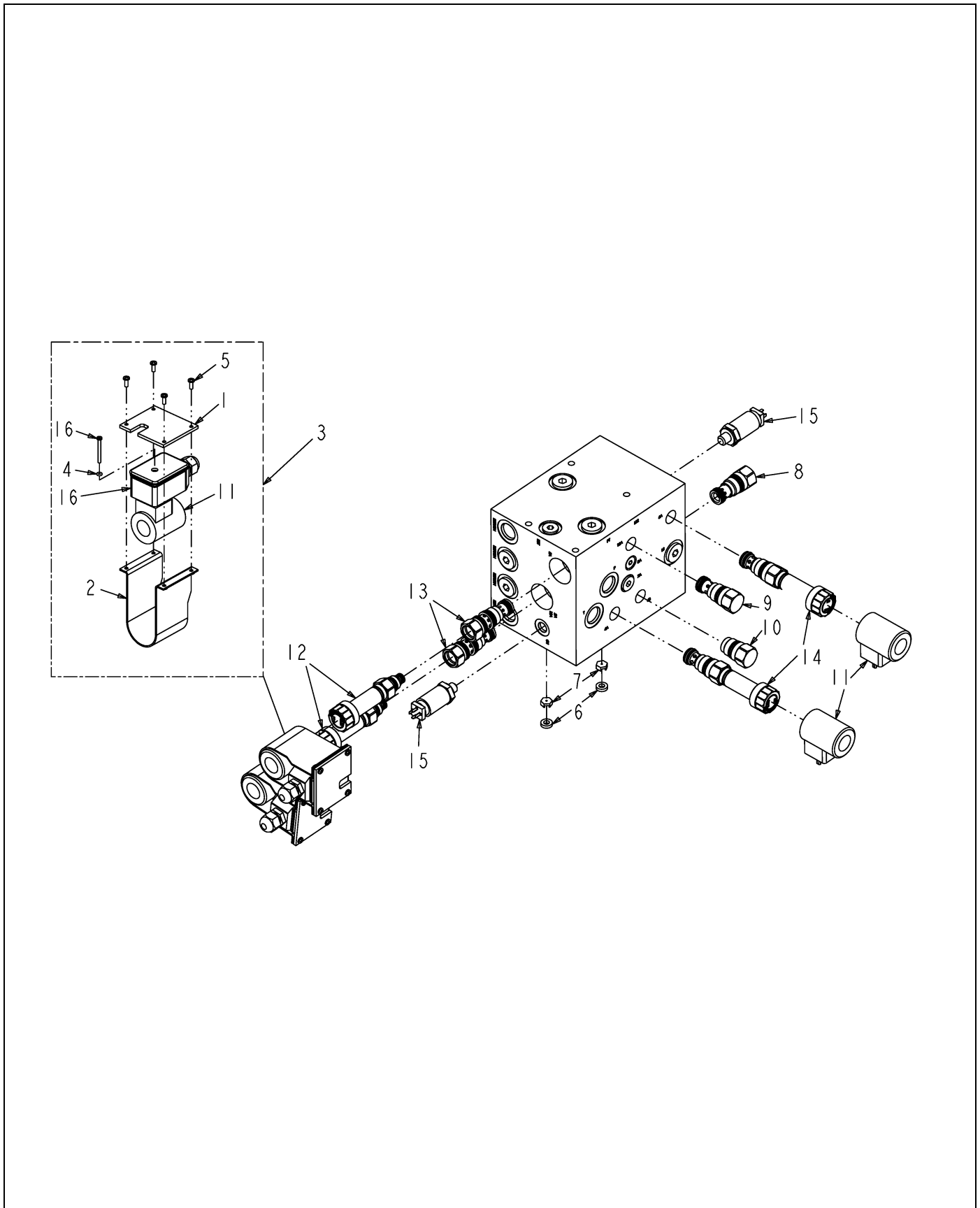
ELBOW AS-90-6STOR X 6ORFS



CH148-8378-01-K639-.TIF

ELBOW AS-90-6STOR X 6ORFS

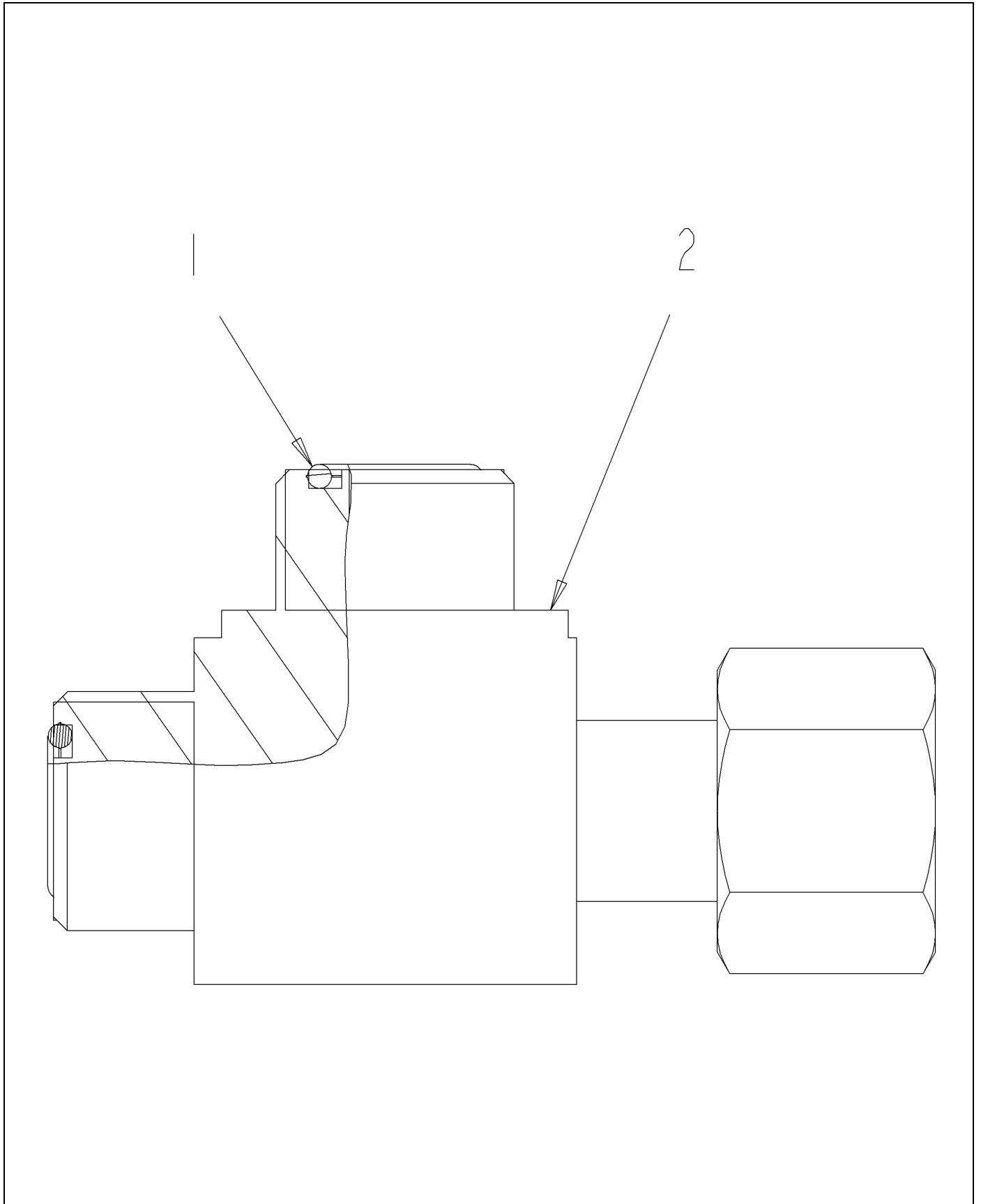
ITEM	PART #	QTY	DESCRIPTION	COMMENTS
1	400318X1	1	SEAL-O-RING 11.89IDXDIA1.98	
2	CH6V-8724	1	ELBOW-90° 6 STOR X 6 ORFS	
3	400378X1	1	SEAL-O-RING 12.83 ODX1.78 DIA	



136740-03-N673-02.TIF

BLOCK-VALVE,HYD,AUTOBOOM,G2

ITEM	PART #	QTY	DESCRIPTION	COMMENTS
REF	AG330211	1	COIL	
1	507412D1	-	PLATE-UPPER,U BRACKET	
2	507413D1	-	BRKT-U,PWM CTRL VLV	
3	507414D1	-	KIT-SEAL,PWM DRIVER	
4	507415D1	-	O-RING	
5	507416D1	-	SCREW 6-32 X .38	
6	507417D1	-	SHIM-ORFICE,.50ODX.25IDX.25	
7	507418D1	-	ORIFICE-HYD,.060ID,HEX,FLOAT	
8	507419D1	-	VALVE-CHECK,CNDC-XAN,SUN	
9	507420D1	-	VALVE-CHECK,CXCD-XAN,SUN	
10	507421D1	-	PLUG-CAVITY,OPEN,XFOA-XXN,SUN	
11	507422D1	-	COIL-12V,HYD,PRES CTRL VLV	
12	507423D1	-	VLV-PILOT RELIEF,PROP HYD FLOW	
13	507424D1	1	ELEMENT-MOD,3 WAY,RED/REL	
14	507425D1	-	VLV-CARTRIDGE,DTDA-MCN,SUN	
15	507426D1	-	XDCR-PRESS,P51-300S-1-MD-20MA	
16	507525D1	-	DRIVER ASM-PROPORTIONAL	

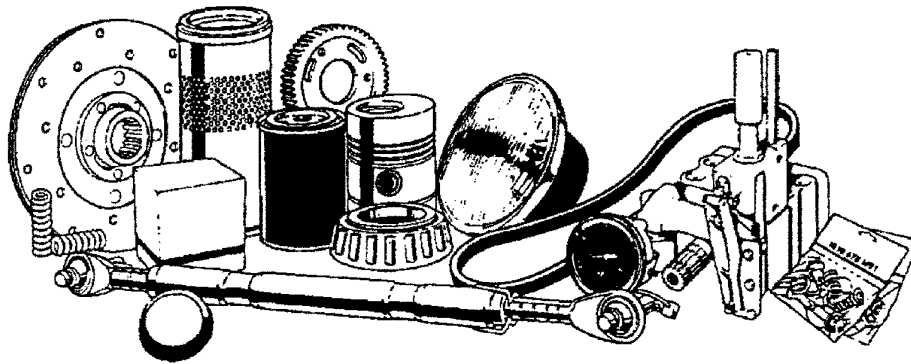


CH148-8433-01-.TIF

TEE AS-6 ORFSX3

ITEM	PART #	QTY	DESCRIPTION	COMMENTS
1	400378X1	2	SEAL-O-RING 12.83 ODX1.78 DIA	
2	CH6V-9836	1	TEE-6 ORFS X 3	

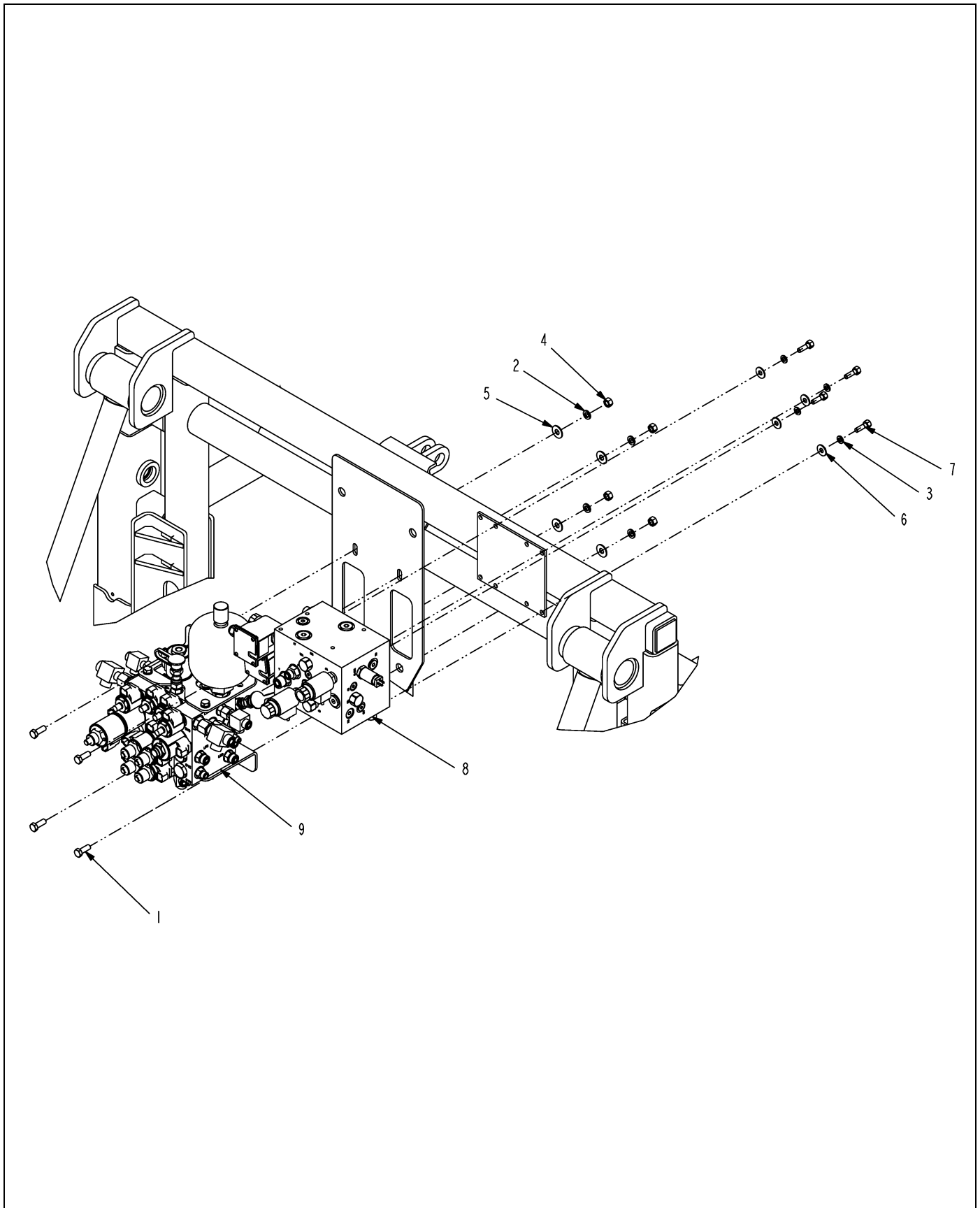
**Please refer to the
Bill Of Material
on the opposite page
for related Installations,
Assemblies, or Parts**



CH148-8444.tif

TEE-SWIVEL 3X -8 ORFS

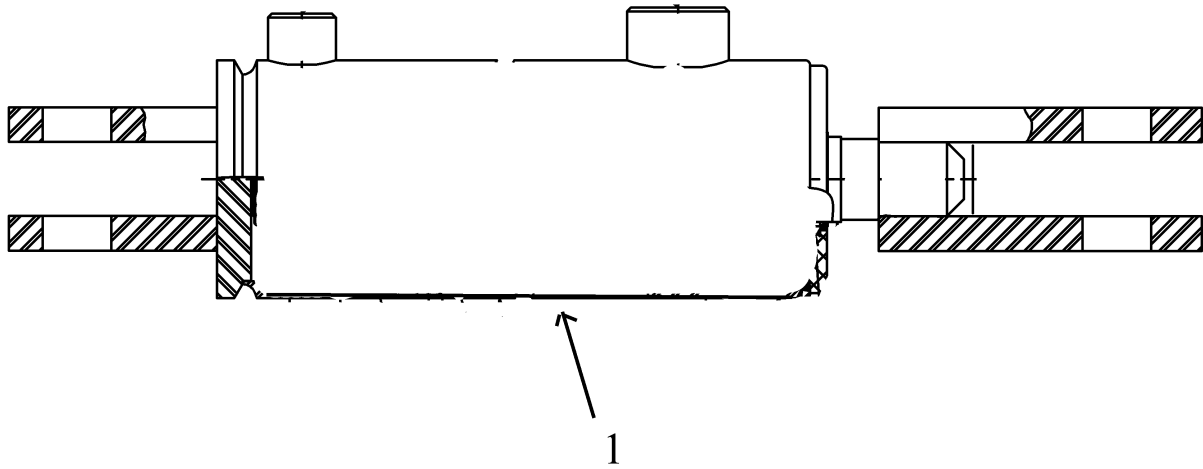
ITEM	PART #	QTY	DESCRIPTION	COMMENTS
REF			DETAIL IMAGE, PLEASE REFER TO RELATED PAGES FOR MORE INFORMATION	
1	CH6V-9837	1	TEE-SWIVEL 3X -8 ORFS	
2	CH6V-8398	2	SEAL-O-RING-16.03ODX1.78DIA	



512599D1-01-N562-.TIF

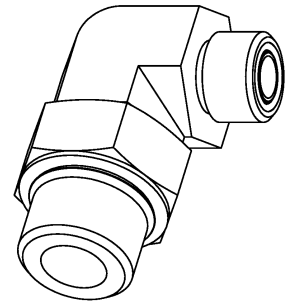
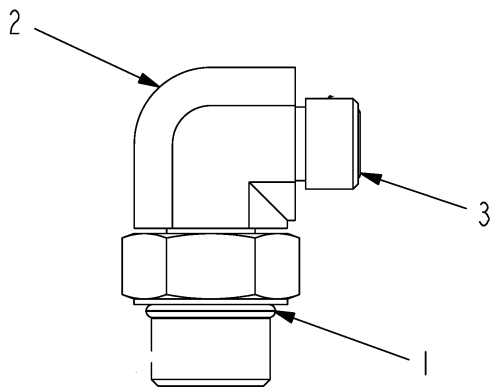
BLOCK INSTL-HYD,BM/AUTOBOOM,G2

ITEM	PART #	QTY	DESCRIPTION	COMMENTS
1	AG550175	4	BOLT 0.37-16NCX 1.00 G5 ZN HHD	
2	AG550191	4	WASHER 0.37 LK ZN REG	
3	AG550205	4	WASHER 0.31 LK ZN REG	
4	AG550825	4	NUT 0.37-16NC HEX ZN REG	
5	AG551007	4	WASHER 0.37 FL ZN REG TYPE-B	
6	AG551015	4	WASHER 0.31 FL ZN REG TYPE-B	
7	AG556017	4	BOLT 0.31-24NFX 1.00 G5 PL HHD	
8	512603D1	1	BLOCK ASM-HYD,AUTOBOOM,G2	SEE PAGE 11-6
9	512605D1	1	BLOCK ASM-HYD,W/AUTOBOOM,BM	SEE PAGE 11-7



CYLINDER-HYD,3.00X11.38X1.25

ITEM	PART #	QTY	DESCRIPTION	COMMENTS
1	AG136826	-	KIT-SEAL,HYD CYL,092GN0129	

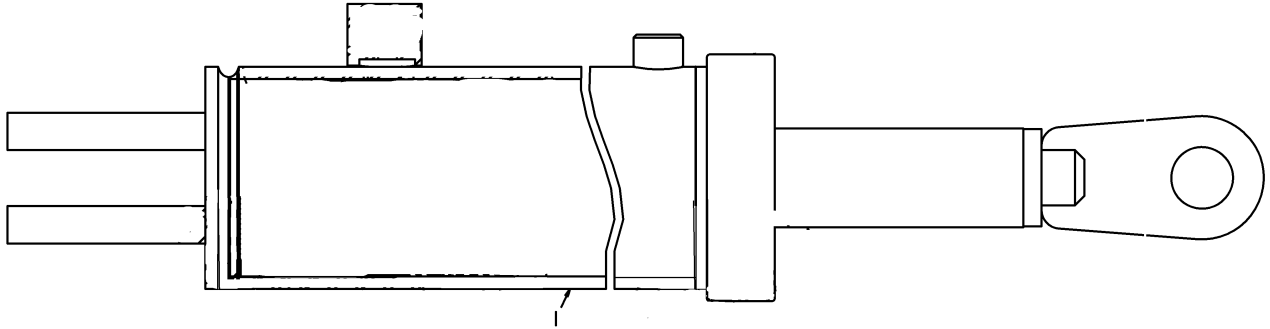


512771D1-01-N562-.TIF

ELBOW-90D,-12STOR X -8ORFS

ITEM	PART #	QTY	DESCRIPTION	COMMENTS
1	400416X1	1	SEAL-O-RING 23.47IDX2.95DIA	
2	401393X1	1	ELBOW-90D,-12STOR X -8ORFS	
3	CH6V-8398	1	SEAL-O-RING-16.03ODX1.78DIA	

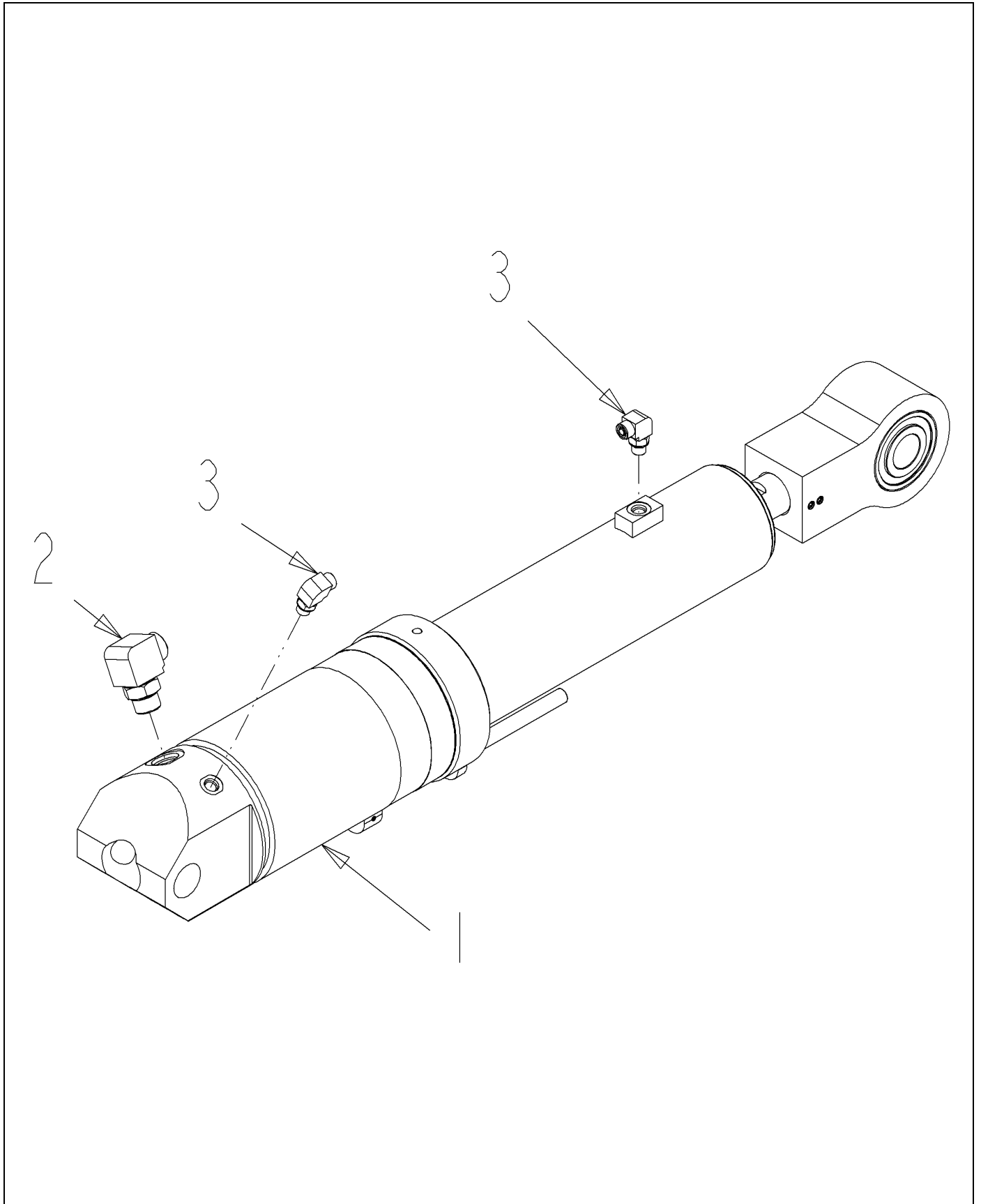
CYLINDER-HYD,4.00X6.00X2.00



136742-01-M788.TIF

CYLINDER-HYD,4.00X6.00X2.00

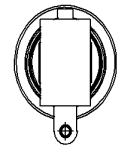
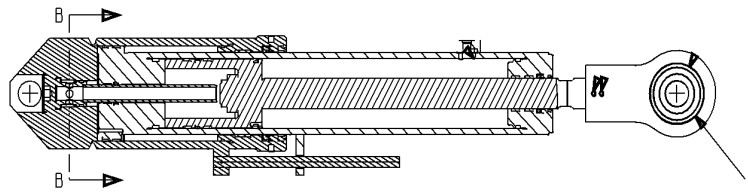
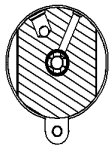
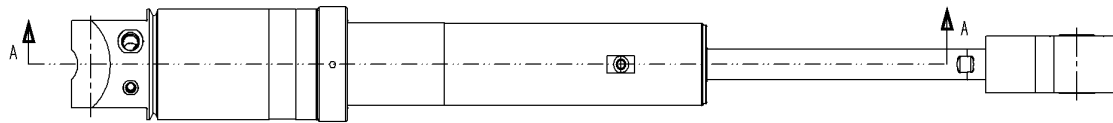
ITEM	PART #	QTY	DESCRIPTION	COMMENTS
1	AG136743	-	KIT-SEAL,HYD CYL,092JS116	



518027D1-02-R313-.TIF

CYL ASM-HYD,SWG,BM,120

ITEM	PART #	QTY	DESCRIPTION	COMMENTS
1	514560D1	1	CYL-HYD,4.00X21.89X1.75,BM SWG	SEE PAGE 5-33
2	CH148-8347	1	ELBOW AS-90° 12STOR X 12ORFS	SEE PAGE 5-34
3	CH148-8378	2	ELBOW AS-90-6STOR X 6ORFS	SEE PAGE 5-24



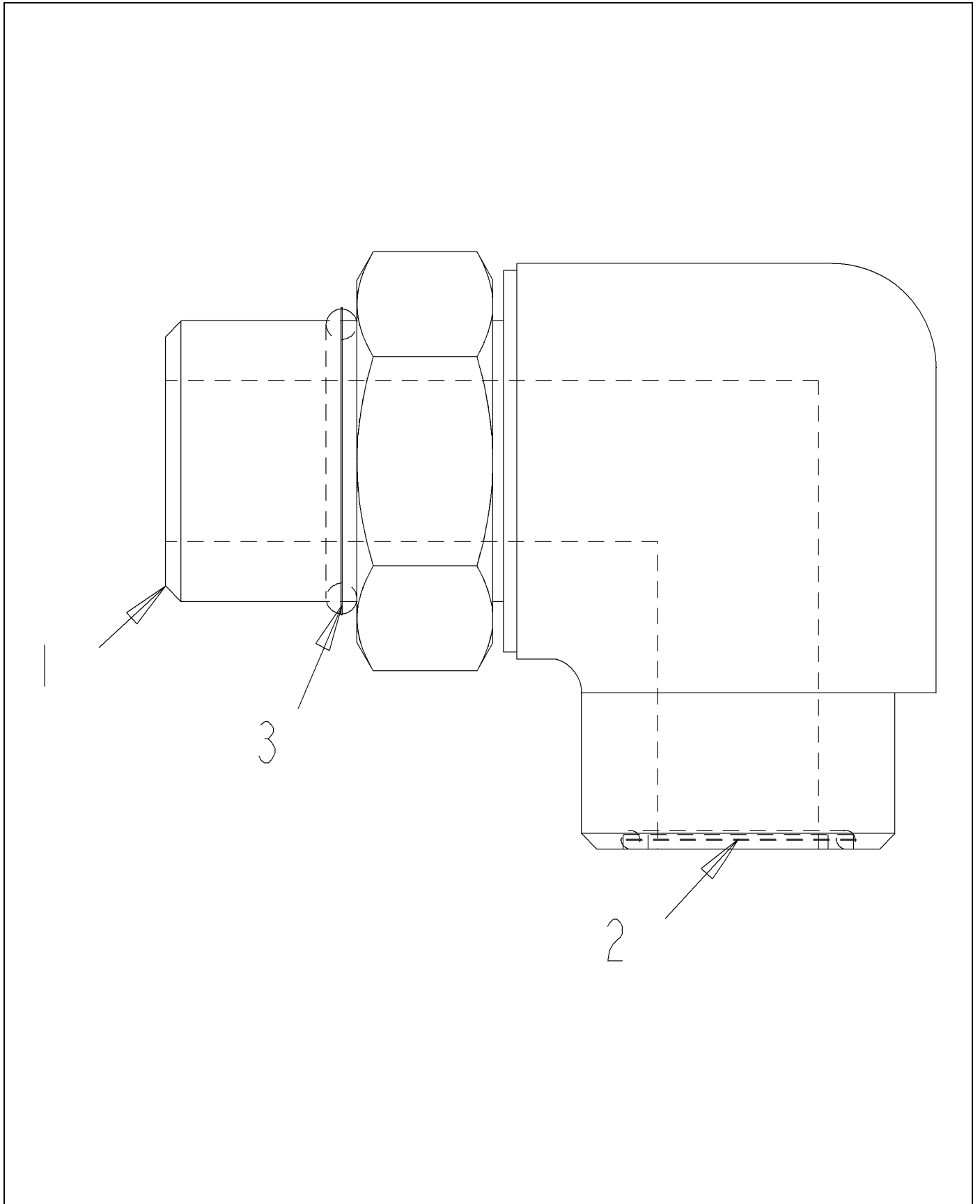
SECTION B-B

SECTION A-A

CYL-HYD,4.00X21.89X1.75,BM SWG

ITEM	PART #	QTY	DESCRIPTION	COMMENTS
REF	515930D1	-	KIT-SEAL,CYL,HYD,093MB006	
1	514714D1	1	BSHG-ISLN,BM SWG,3.501 X 1.510	

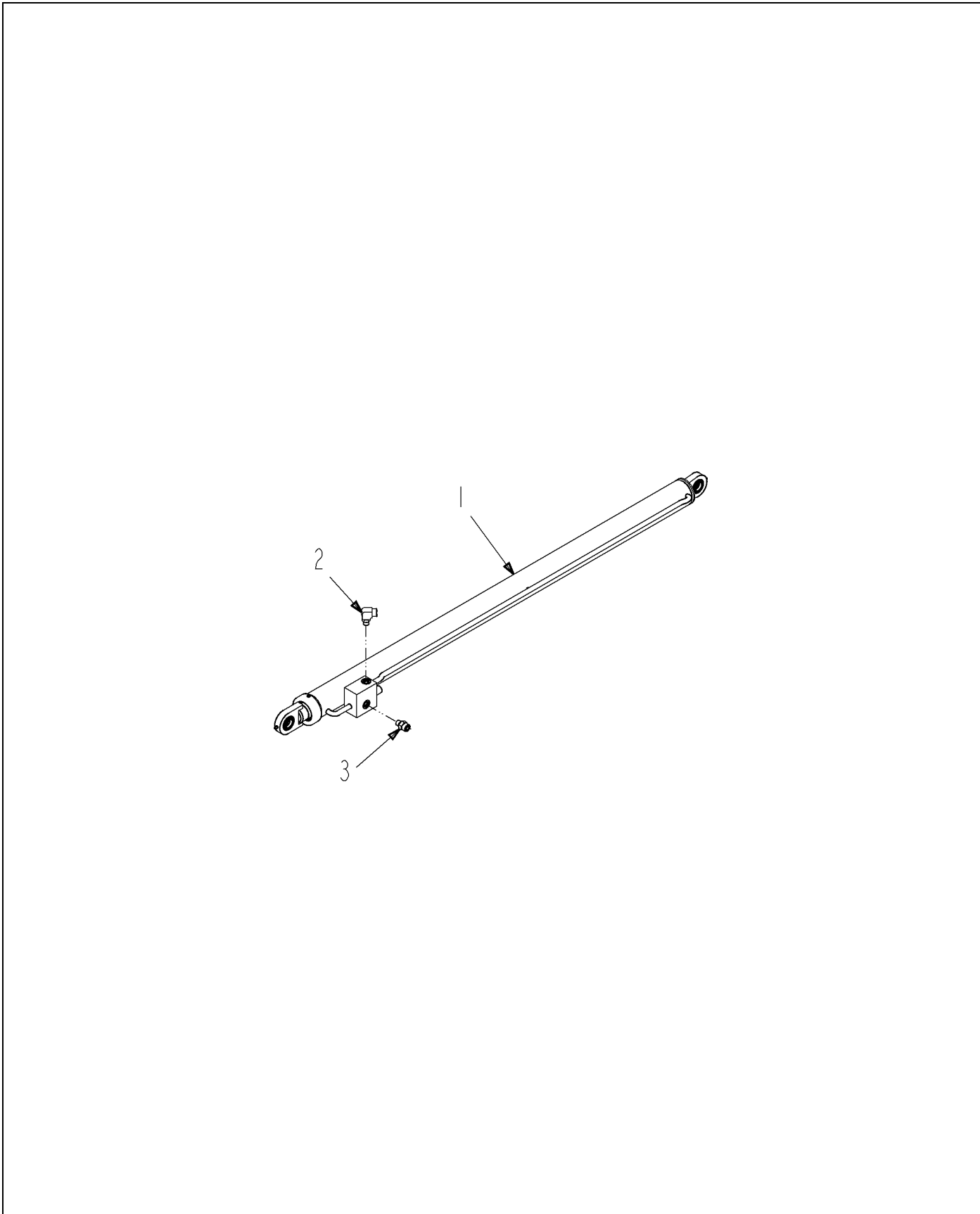
ELBOW AS-90D 12STOR X 12ORFS



CH148-8347-02-K486-.TIF

ELBOW AS-90D 12STOR X 12ORFS

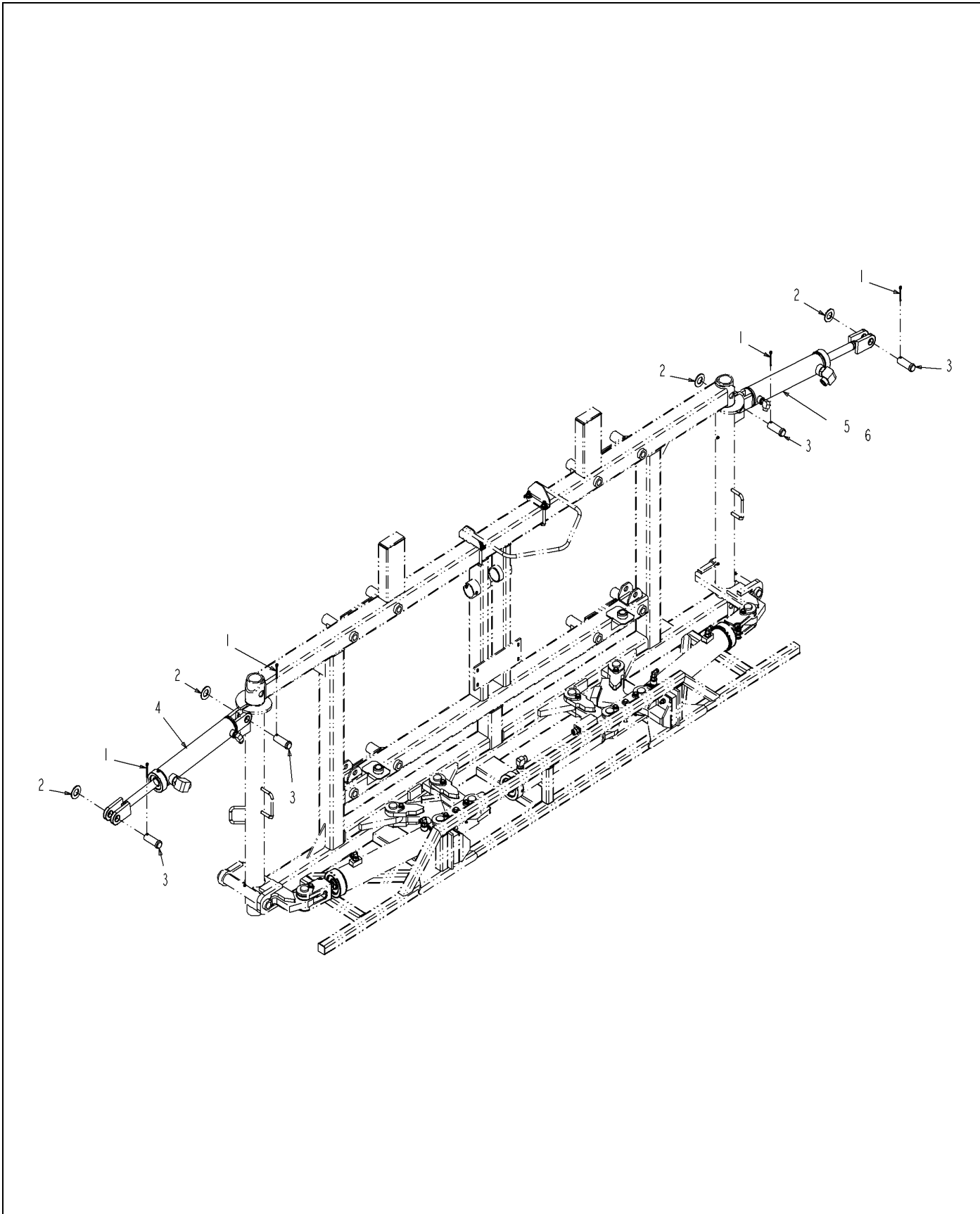
ITEM	PART #	QTY	DESCRIPTION	COMMENTS
1	CH6V-9007	1	ELBOW-90° 12STOR X 12ORFS	
2	400366X1	1	SEAL-O-RING 22.5 ODX1.78 DIA	
3	400416X1	1	SEAL-O-RING 23.47IDX2.95DIA	



518026D1-01-R172-.TIF

CYL ASM-HOIST,BM,5.00 SL

ITEM	PART #	QTY	DESCRIPTION	COMMENTS
1	AG122392	1	CYL-HYD,2.5X52X1.75,W/CB VALVE	SEE PAGE 5-10
2	400417X1	1	ELBOW AS-90DEG-6STOR-8ORFS	SEE PAGE 5-6
3	400428X1	1	CONNECTOR AS-STR-6STOR-8ORFS	SEE PAGE 5-7

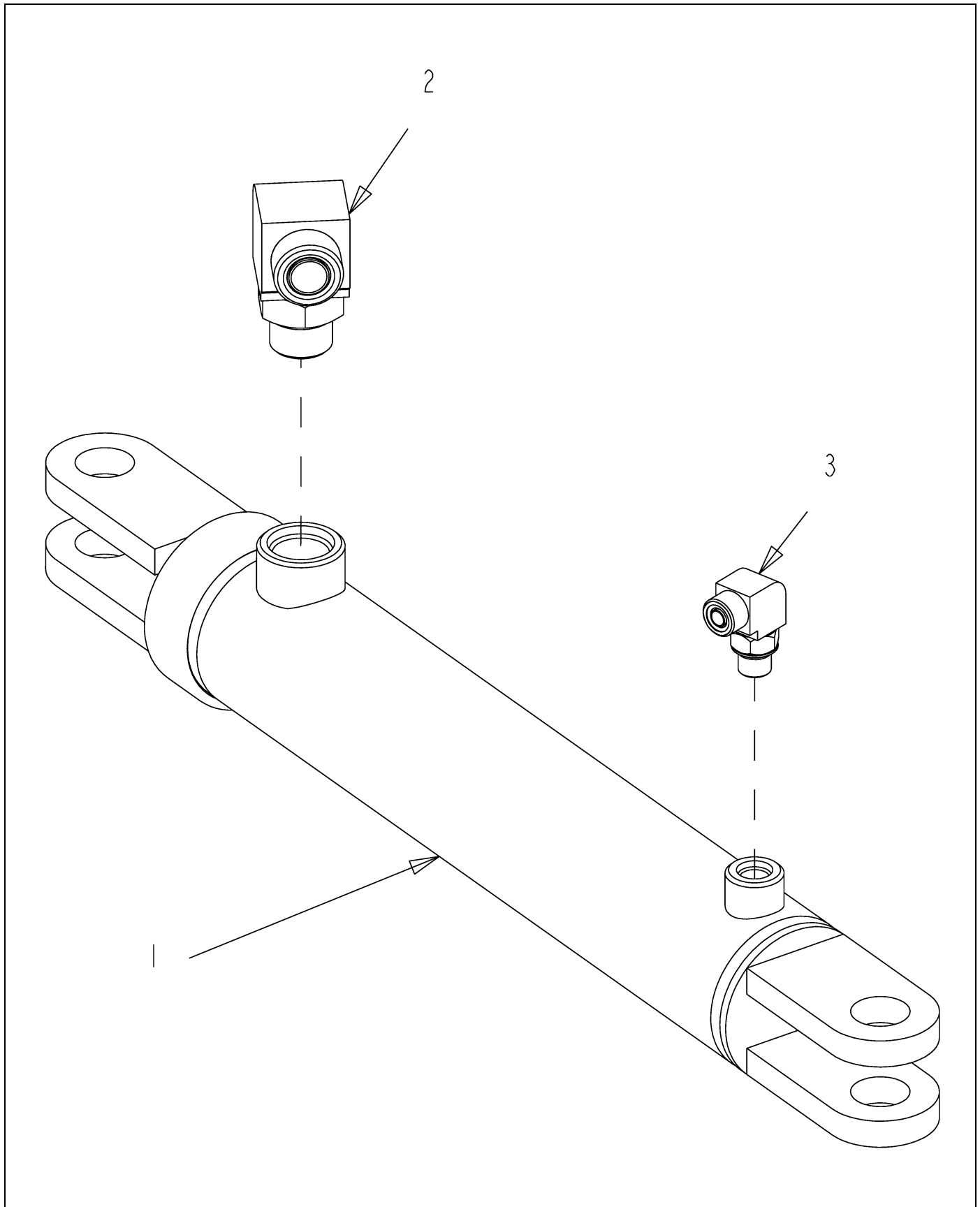


519367D1-01-R284-.TIF

CYL INSTL-TILT,STD,80/90/100

ITEM	PART #	QTY	DESCRIPTION	COMMENTS
1	AG515352	4	PIN COTTER 0.18X2.00 SS	
2	AG551856	4	WASHER 1.00 FL ZN SAE TYPE-A	
3	AG602132	4	PIN CLEVIS 1.00X2.62 ZN	[A]
4	512521D1	1	CYLINDER ASM-BOOM TILT,LH	SEE PAGE 5-37
5	512522D1	1	CYLINDER ASM-BOOM TILT,RH	SEE PAGE 5-39
6	519368D1	1	PLMB INSTL-HYD,BOOM,80/90/100	
	FOOTNOTE [A]		GREASABLE PIN IS 519637	

CYLINDER ASM-BOOM TILT,LH

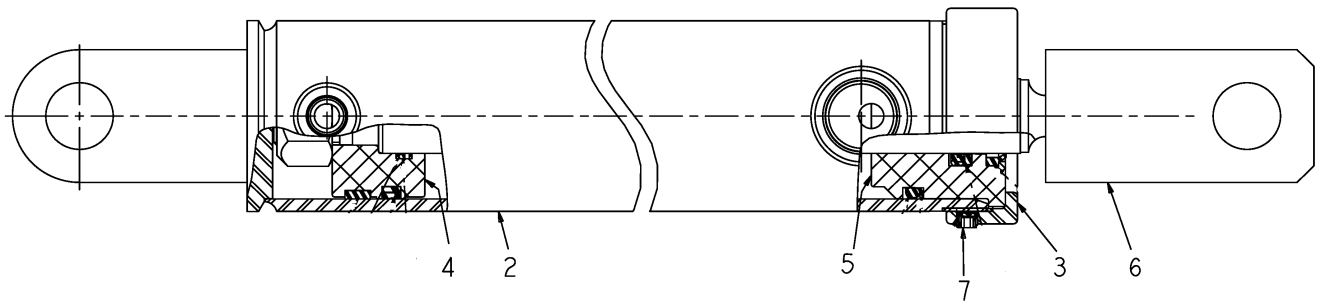


512521D1-01-N562-.TIF

CYLINDER ASM-BOOM TILT,LH

ITEM	PART #	QTY	DESCRIPTION	COMMENTS
1	AG122390	1	CYLINDER-HYD,2.50X12.00X1.12	SEE PAGE 5-38
2	CH148-8347	1	ELBOW AS-90° 12STOR X 12ORFS	SEE PAGE 5-34
3	CH148-8378	1	ELBOW AS-90-6STOR X 6ORFS	SEE PAGE 5-24

CYLINDER-HYD,2.50X12.00X1.12

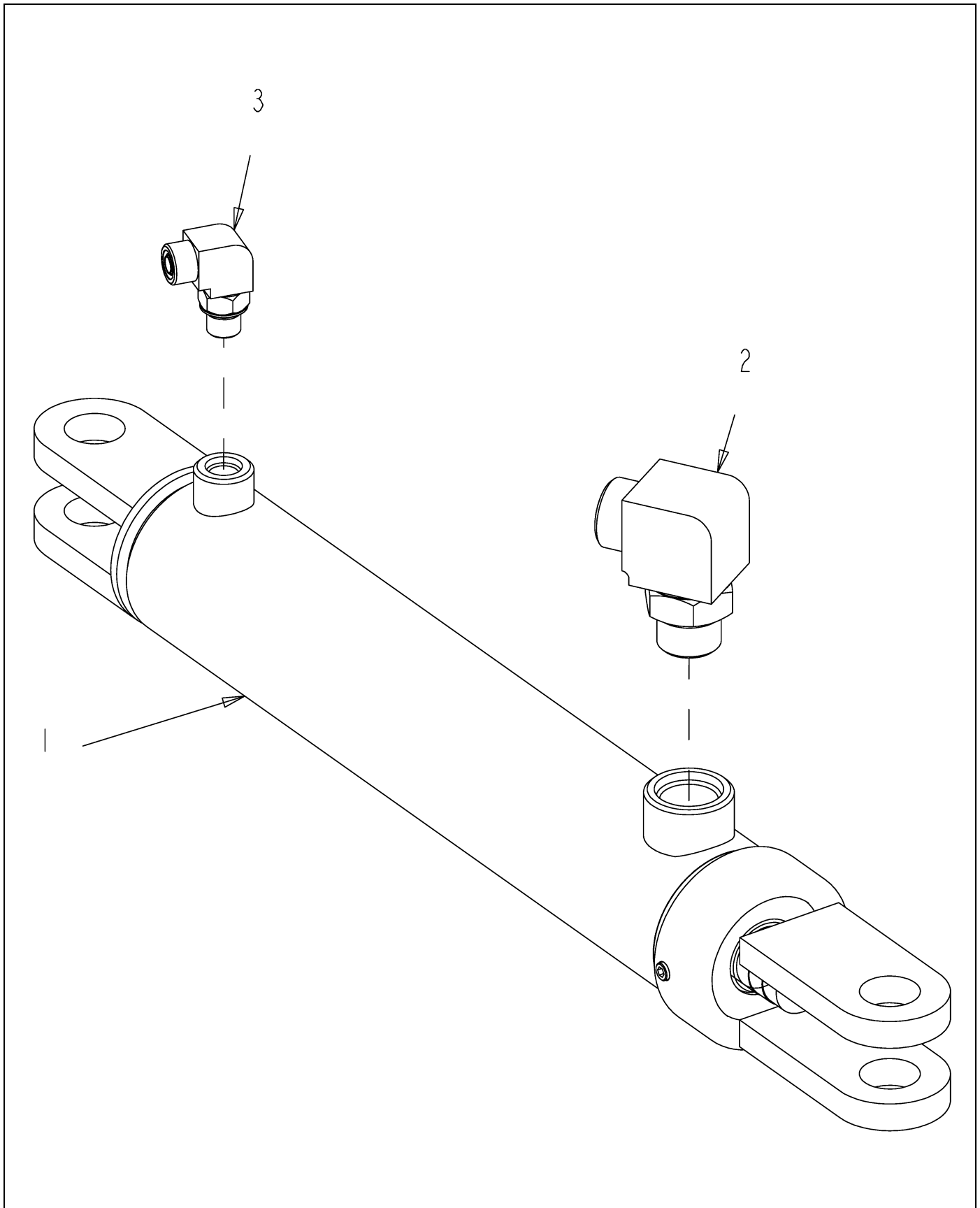


122390.TIF

CYLINDER-HYD,2.50X12.00X1.12

ITEM	PART #	QTY	DESCRIPTION	COMMENTS
REF	AG122448	-	KIT-SEAL,HYD CYL,092FM0035	
2	AG727108	1	TUBE / CYLINDER	
3	AG061231	1	CAP/HEAD GLAND	
4	AG727109	1	PISTON	
5	AG727110	1	ROD/CYLINDER	
5	AG727111	1	GLAND / HEAD	
6	AG138370	1	ROD WLDMT	
7	AG061236	1	SCREW/SET .313-18X.25	

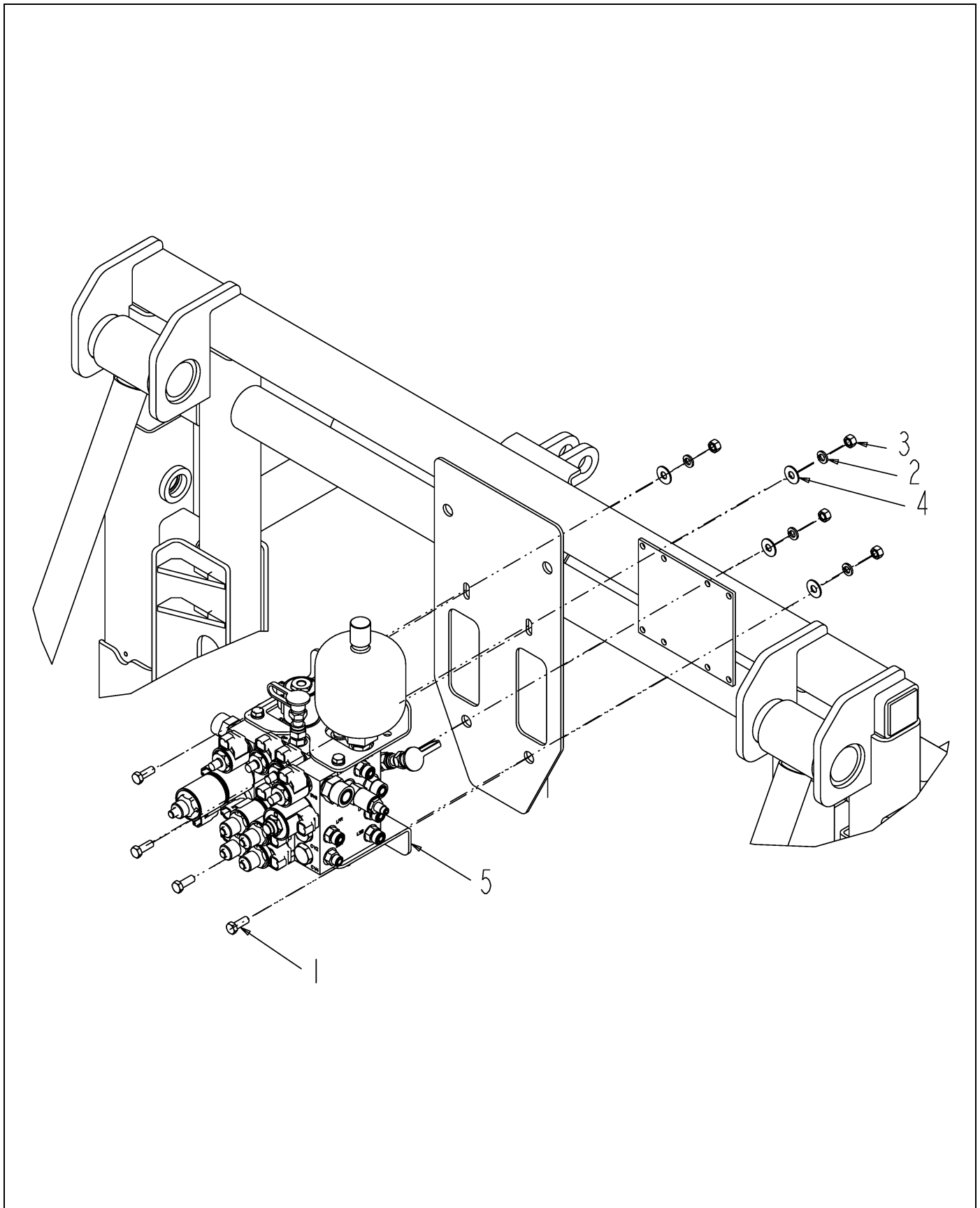
CYLINDER ASM-BOOM TILT,RH



512522D1-01-N562-.TIF

CYLINDER ASM-BOOM TILT,RH

ITEM	PART #	QTY	DESCRIPTION	COMMENTS
1	AG122390	1	CYLINDER-HYD,2.50X12.00X1.12	SEE PAGE 5-38
2	CH148-8347	1	ELBOW AS-90° 12STOR X 12ORFS	SEE PAGE 5-34
3	CH148-8378	1	ELBOW AS-90-6STOR X 6ORFS	SEE PAGE 5-24

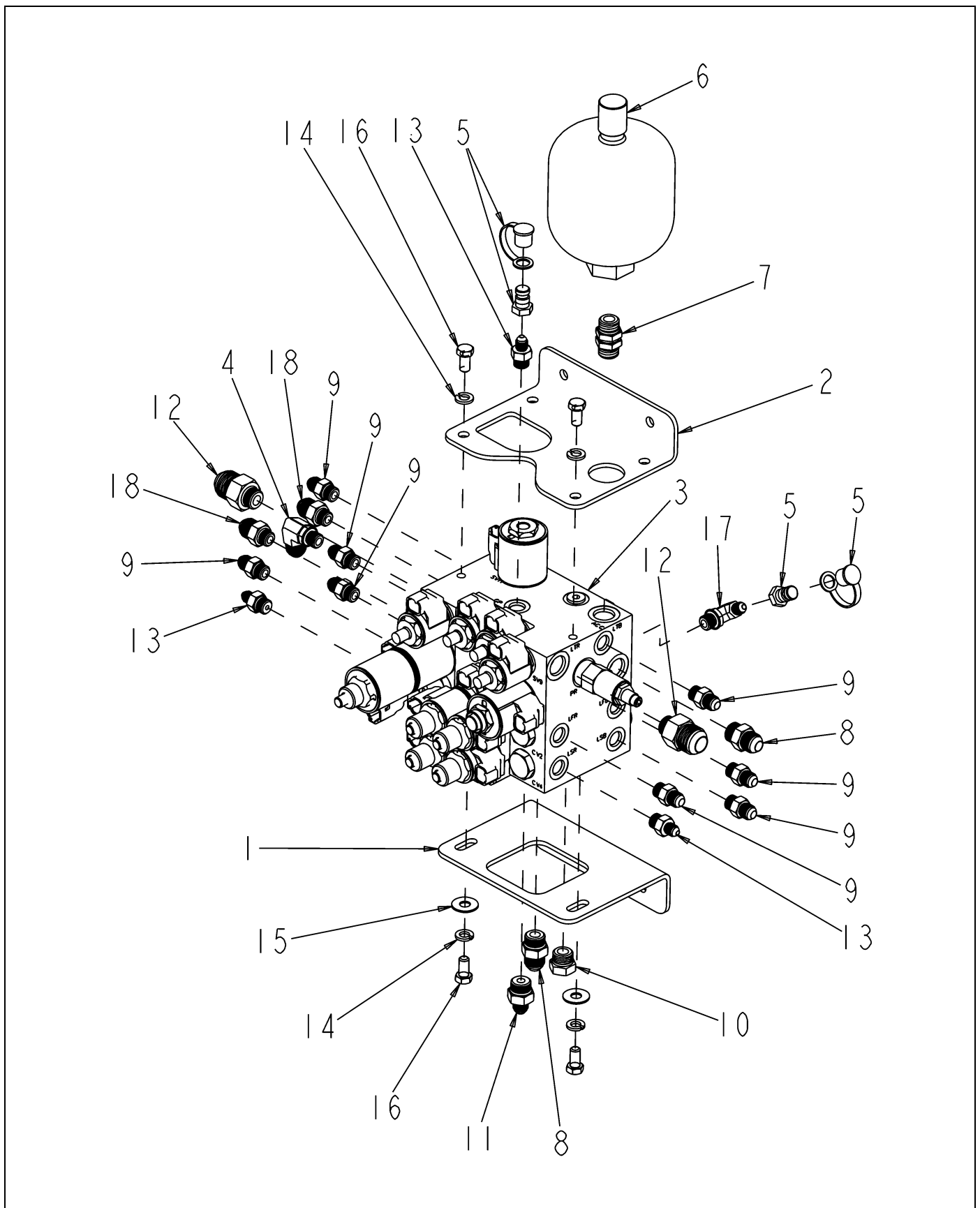


512523D1-01-N562-.TIF

BLOCK INSTL-HYD,STD,BOOM

ITEM	PART #	QTY	DESCRIPTION	COMMENTS
1	AG550175	4	BOLT 0.37-16NCX 1.00 G5 ZN HHD	
2	AG550191	4	WASHER 0.37 LK ZN REG	
3	AG550825	4	NUT 0.37-16NC HEX ZN REG	
4	AG551007	4	WASHER 0.37 FL ZN REG TYPE-B	
5	512519D1	1	BLOCK ASM-HYD,BOOM	SEE PAGE 5-15

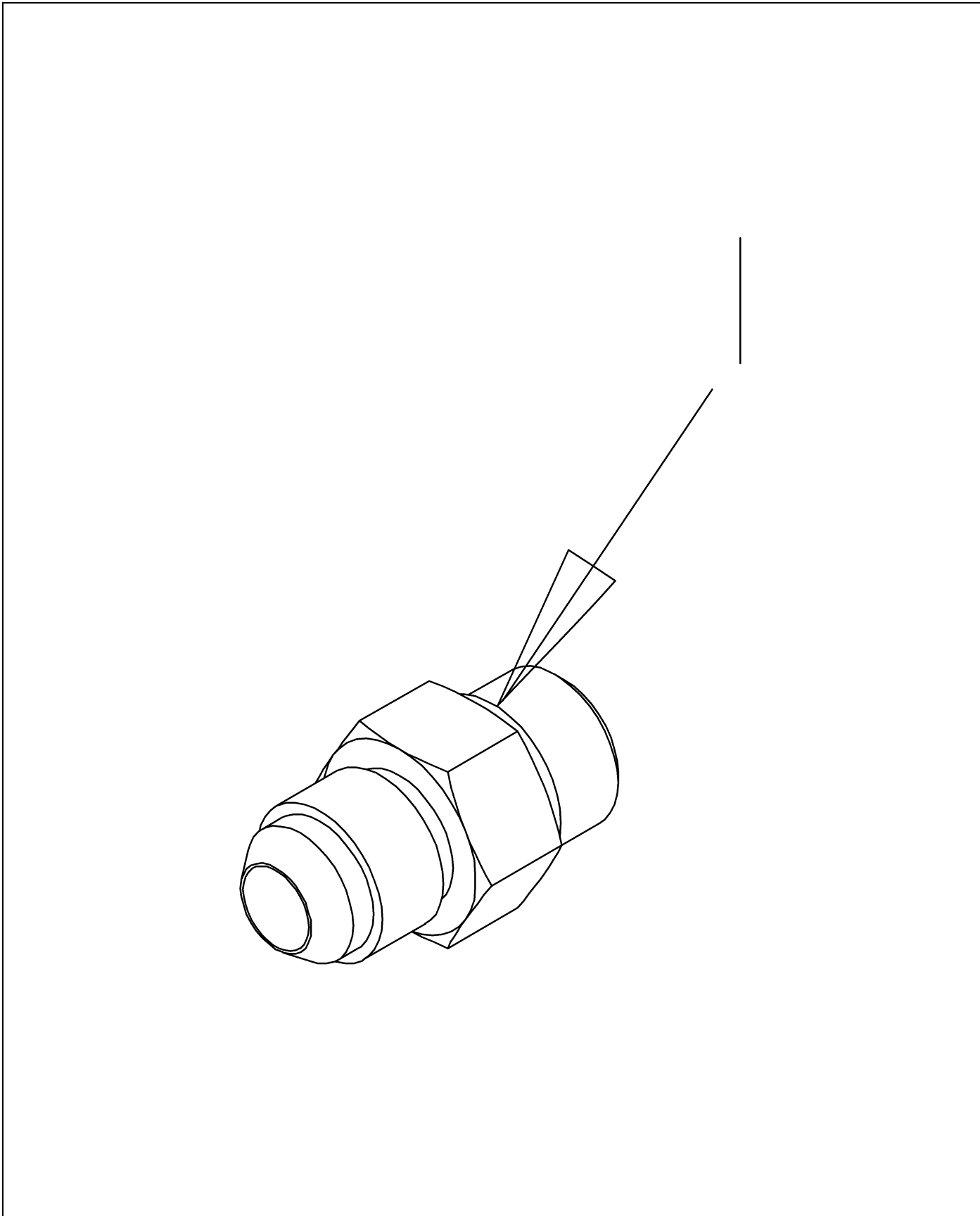
BLOCK ASM-HYD,BOOM



327802.TIF

BLOCK ASM-HYD,BOOM

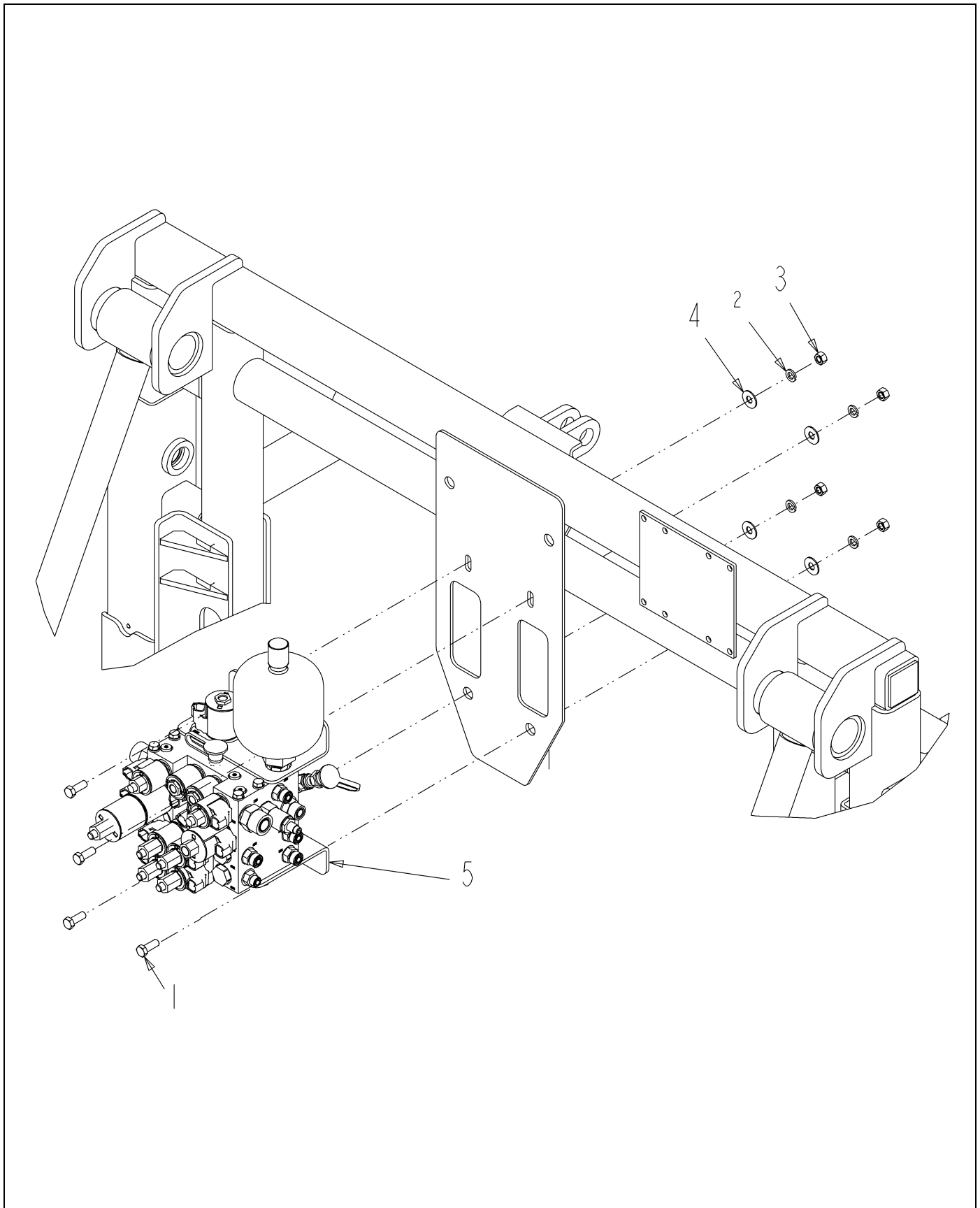
ITEM	PART #	QTY	DESCRIPTION	COMMENTS
1	AG327803	1	BRKT-MTG,LOWER,VALVE BLOCK	
2	AG327804	1	BRKT-MTG,UPPER,BLOCK,VALVE	
3	AG424252	1	VALVE-HYD,7 BANK,W/BREAKAWAY	SEE PAGE 5-21
4	AG514800	1	ELBOW-90D,-6MORX-8 MJIC	[A]
5	AG519113	2	TUBE END NIPPLE -4	
6	AG523544	1	ACCUM-HYD,DIAPH,45CU IN(MV)	
7	AG524378	1	ADPTR-STR,.50MO-R X .50MO-R	SEE PAGE 5-22
8	AG551139	2	ADAP STR 0.50MO-R X 0.50 MJIC	[B]
9	AG560693	8	ADAP STR 0.37MO-R X 0.37MJIC	SEE PAGE 5-42
10	AG560899	1	PLUG 0.50MO-R HEX	
11	AG561308	1	ADAP STR 0.50MO-R X 0.37MJIC	
12	AG561339	2	ADAP STR 0.50MO-R X 0.75MJIC	[C]
13	AG561744	3	ADAP STR 0.37MO-R X 0.25MJIC	[D]
14	AG562050	4	WASHER 0.37 LK SS REG	
15	AG562073	2	WASHER 0.37 FL SS REG TYPE-B	
16	AG562120	4	BOLT 0.37-16NCX 0.75 S.S. HHD	
17	AG562354	1	ELBOW 90D 0.37MO-R X 0.25MJIC	[E]
18	AG562372	2	ADAP STR 0.37MO-R X 0.50MJIC	
	FOOTNOTE [A]		AG713166 - ORING	
	FOOTNOTE [B]		AG713670-O-RING	
	FOOTNOTE [C]		AG713670 O-RING	
	FOOTNOTE [D]		AG713166 O-RING	
	FOOTNOTE [E]		AG713166 O-RING	



560693.TIF

ADAP STR 0.37MO-R X 0.37MJIC

ITEM	PART #	QTY	DESCRIPTION	COMMENTS
1	AG139107	1	O-RING,FLARE-O,BUNA	

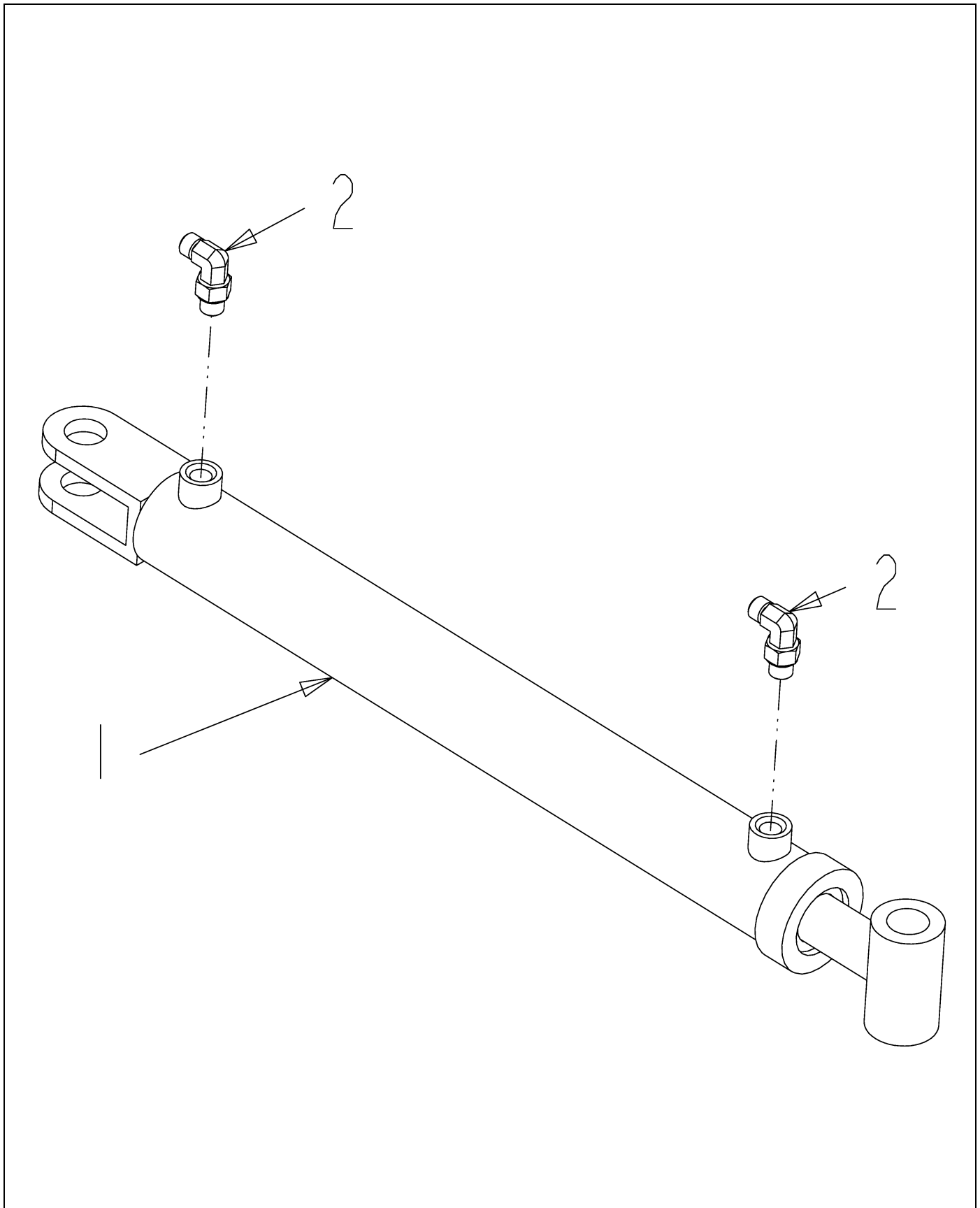


515128D1-01-R284-.TIF

BLK INSTL-HYD,NO AUTOBM,SM BM

ITEM	PART #	QTY	DESCRIPTION	COMMENTS
1	AG550175	4	BOLT 0.37-16NCX 1.00 G5 ZN HHD	
2	AG550191	4	WASHER 0.37 LK ZN REG	
3	AG550825	4	NUT 0.37-16NC HEX ZN REG	
4	AG551007	4	WASHER 0.37 FL ZN REG TYPE-B	
5	515129D1	1	BLK ASM-HYD,BM,NO AUTOBM,SM BM	SEE PAGE 11-22

CYLINDER ASM-BOOM TIP FOLD

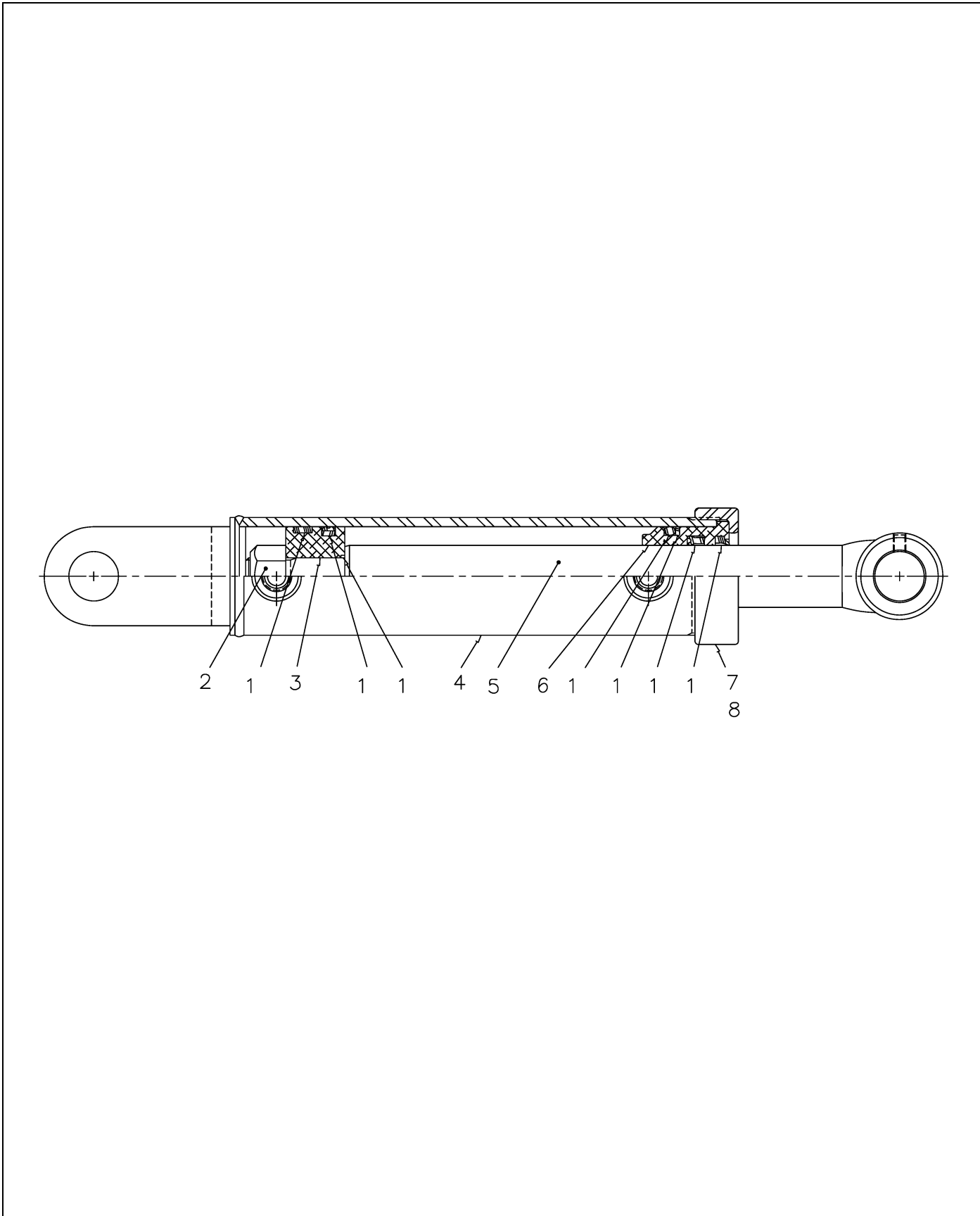


512791D1-01-N562-.TIF

CYLINDER ASM-BOOM TIP FOLD

ITEM	PART #	QTY	DESCRIPTION	COMMENTS
1	AG424374	1	CYLINDER-HYD,2.00X16.00X1.25	SEE PAGE 5-45
2	401289X1	2	ELBOW-90D,-6STOR X -4ORFS	SEE PAGE 5-3

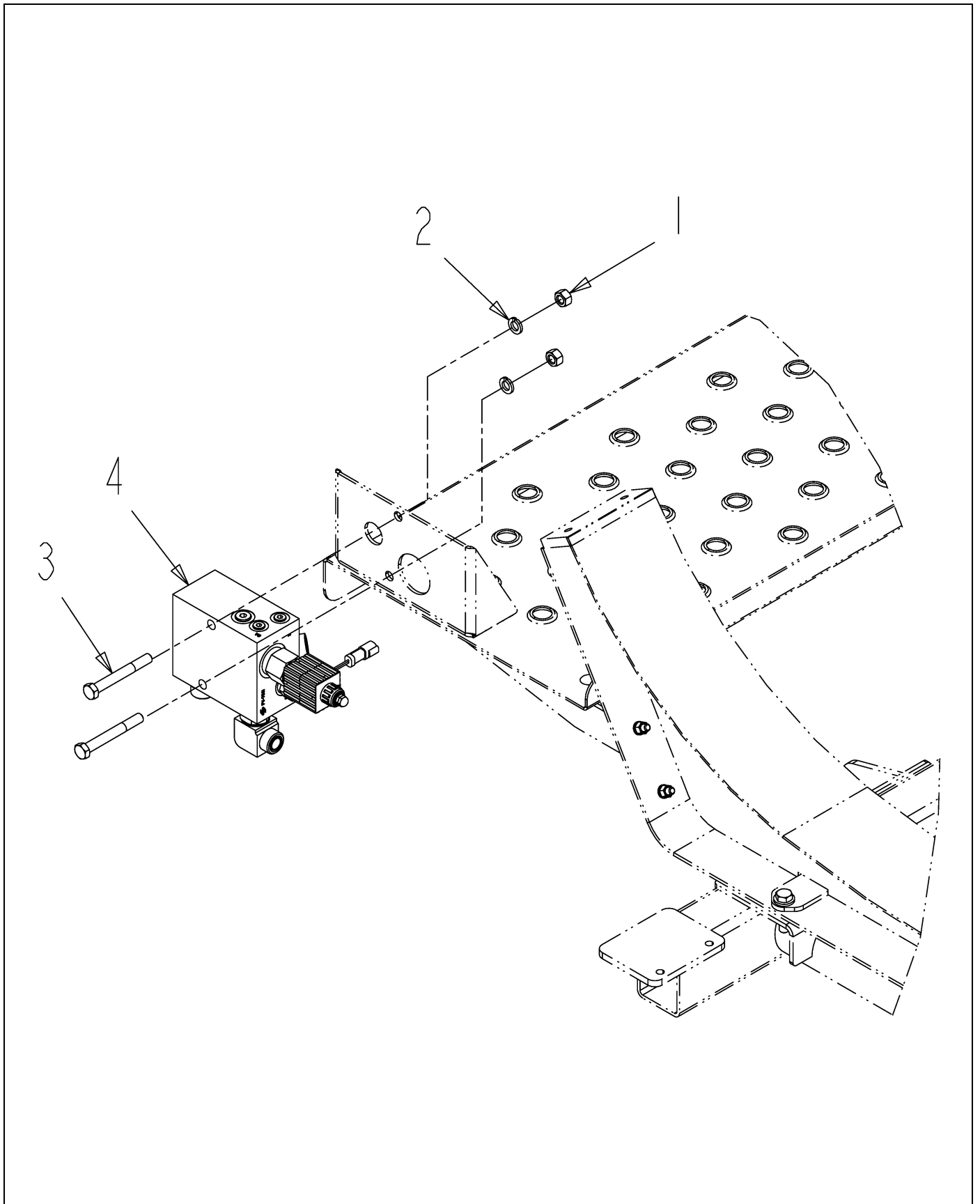
CYLINDER-HYD,2.00X16.00X1.25



424374.TIF

CYLINDER-HYD,2.00X16.00X1.25

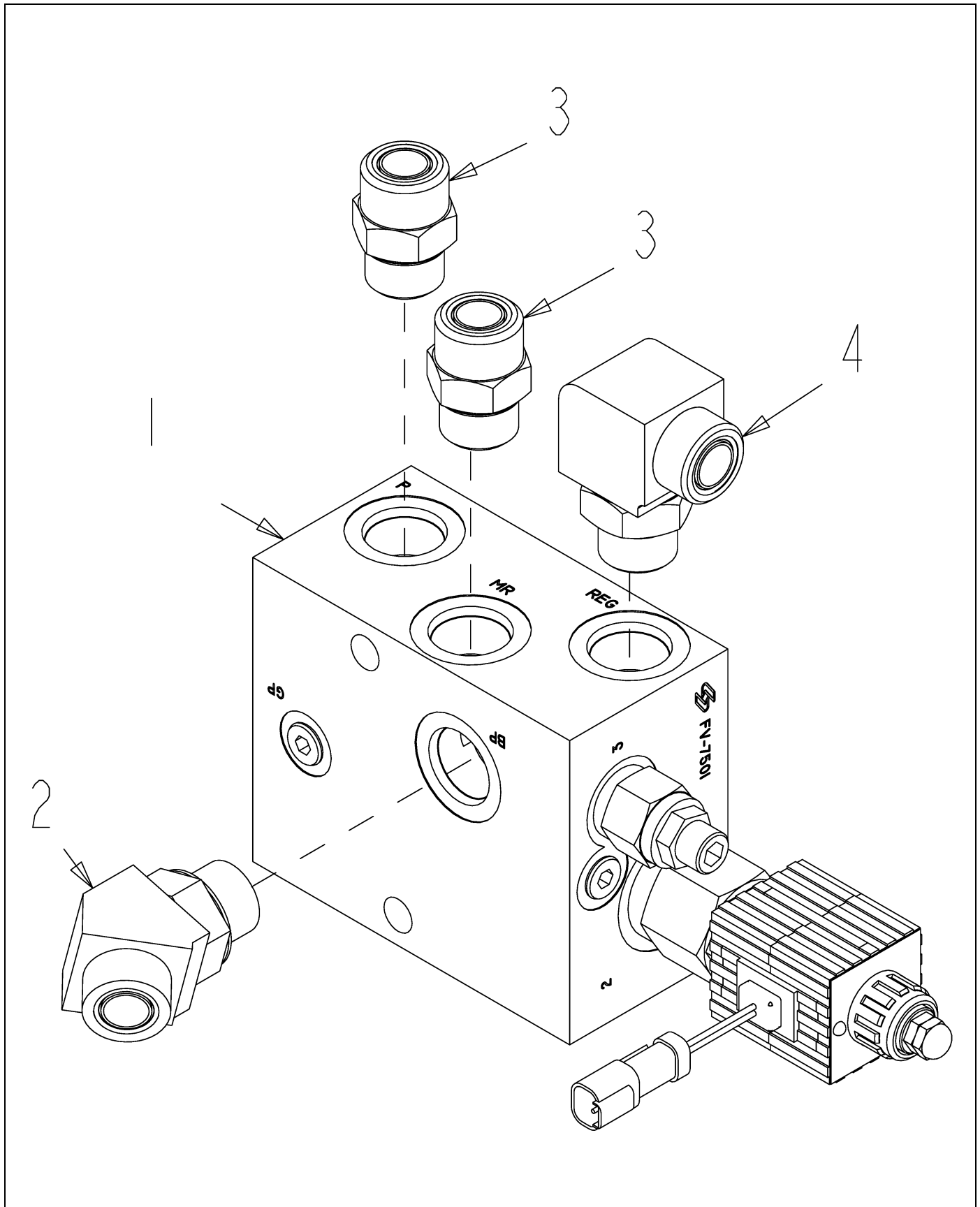
ITEM	PART #	QTY	DESCRIPTION	COMMENTS
1	AG714942	1	SEAL KIT 519117	
2	AG061235	1	NUT/LOCK UNF .75-16	
3	AG727125	1	PISTON	
4	AG727124	1	TUBE	
5	AG727123	1	ROD/CYLINDER	
6	AG727126	1	GLAND/HEAD	
7	AG138398	1	CAP/HEAD GLAND	
8	AG061236	1	SCREW/SET .313-18X.25	



512857D1-01-N562-.TIF

VALVE INSTL-HYD,PWM,HV

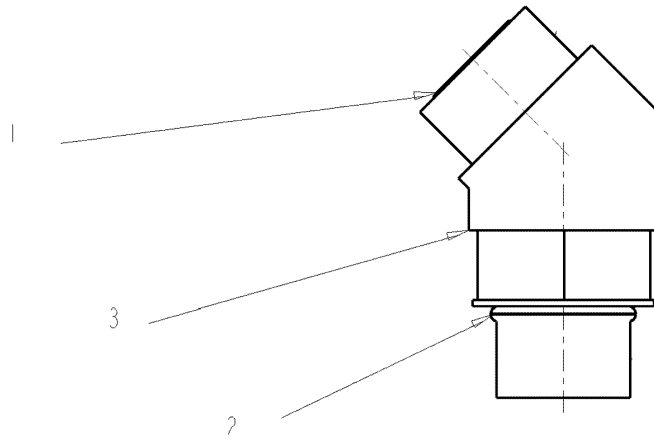
ITEM	PART #	QTY	DESCRIPTION	COMMENTS
1	AG562045	2	NUT 0.50-13NC HEX SS REG	
2	AG562053	2	WASHER 0.50 LK SS REG	
3	AG562621	2	BOLT 0.50-13NCX 4.00 SS HHD	
4	512858D1	1	FTG ASM-ORIENT,PWM VALVE,20GPM	SEE PAGE 5-47



512858D1-01-N562-.TIF

FTG ASM-ORIENT,PWM VALVE,20GPM

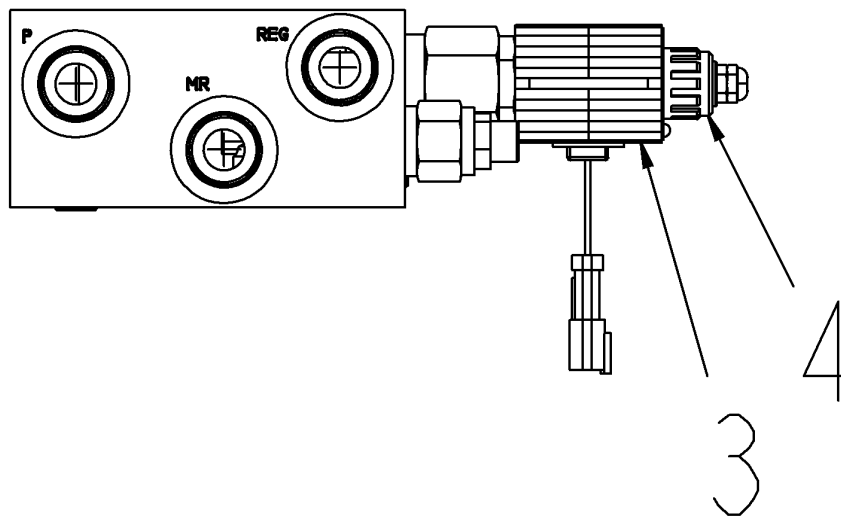
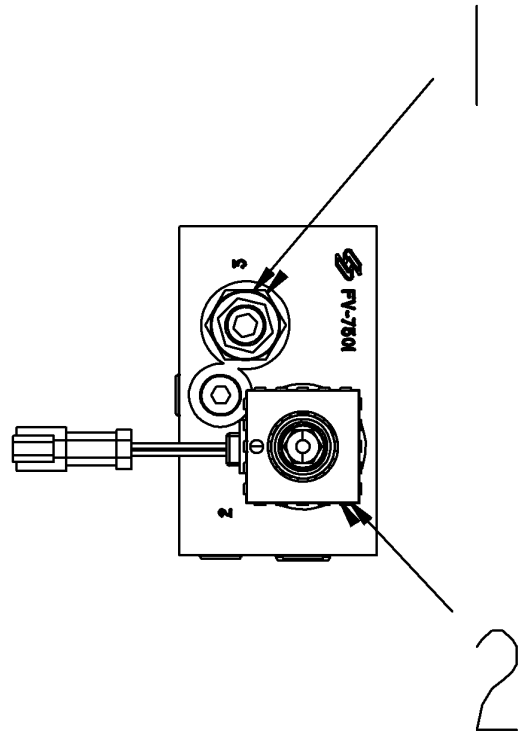
ITEM	PART #	QTY	DESCRIPTION	COMMENTS
1	AG424319	1	VALVE-HYD,PWM,LIQ SYS,20 GPM	SEE PAGE 5-49
2	400967X1	1	ELBOW AS-45 -12STOR-12ORFS	SEE PAGE 5-48
3	CH148-8327	2	CONNECTOR AS-12 ORFSX 12STOR	SEE PAGE 5-50
4	CH148-8347	1	ELBOW AS-90° 12STOR X 12ORFS	SEE PAGE 5-34



400967X1-01-K486-.tif

ELBOW AS-45 -12STOR-12ORFS

ITEM	PART #	QTY	DESCRIPTION	COMMENTS
1	400366X1	1	SEAL-O-RING 22.5 ODX1.78 DIA	
2	400416X1	1	SEAL-O-RING 23.47IDX2.95DIA	
3	400966X1	1	ELBOW-45 -12STOR-12ORFS	

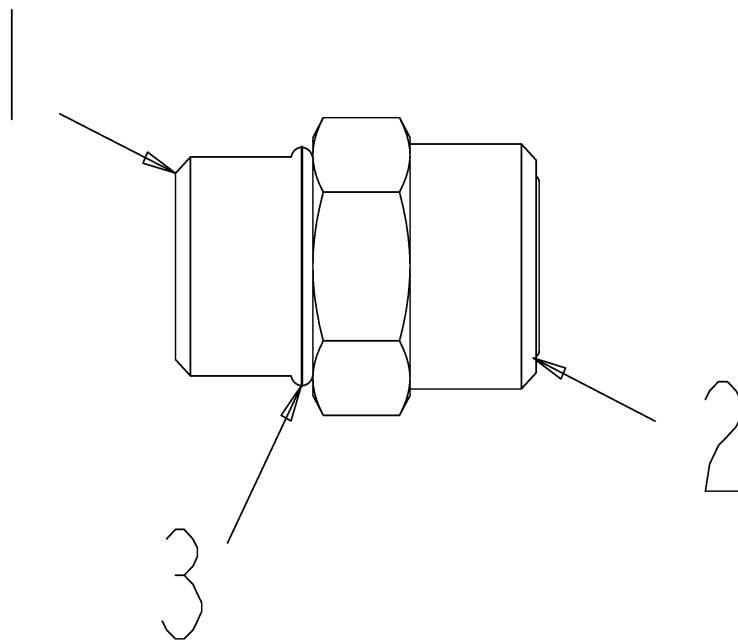


424319-M125-.TIF

VALVE-HYD,PWM,LIQ SYS,20 GPM

ITEM	PART #	QTY	DESCRIPTION	COMMENTS
1	AG059917	-	VALVE,RELIEF	
2	AG059914	-	PROP PRIORITY FLOW CONTROL	[A]
3	AG060702	-	COIL	
4	AG726404	-	NUT/COIL (424287)	
	FOOTNOTE [A]		059916-COIL - COIL IS NOT INCLUDED WITH 059914.	

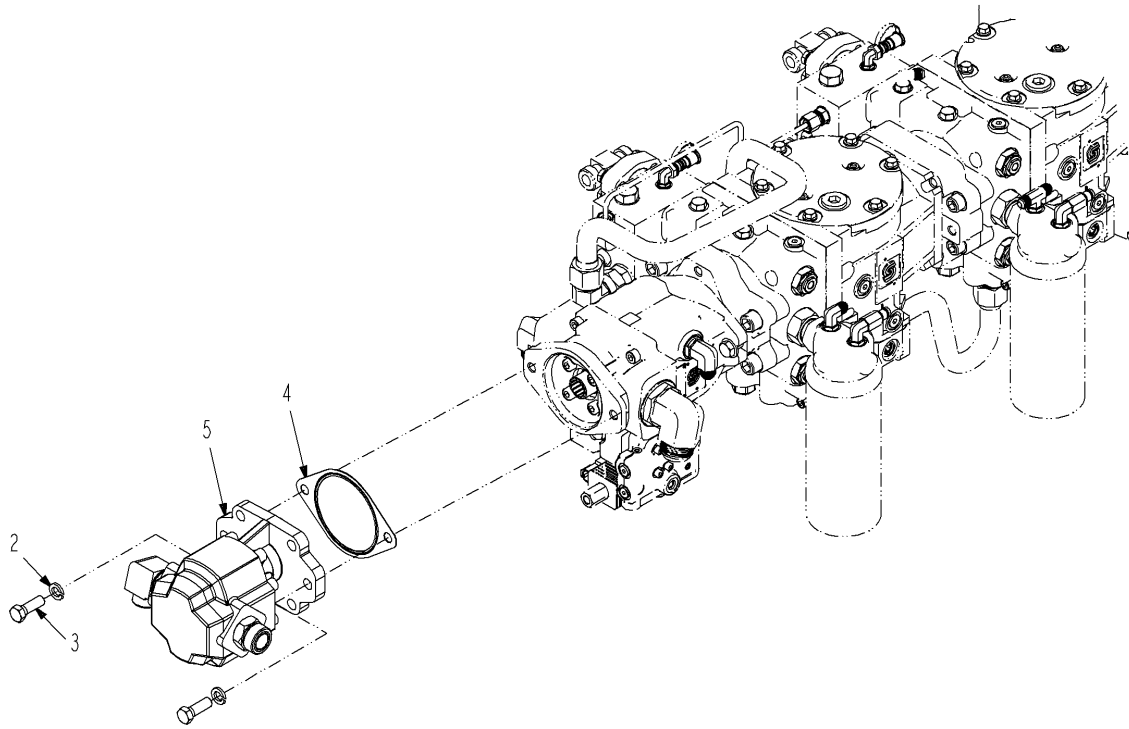
CONNECTOR AS-12 ORFSX 12STOR



CH148-8327-01-.TIF

CONNECTOR AS-12 ORFSX 12STOR

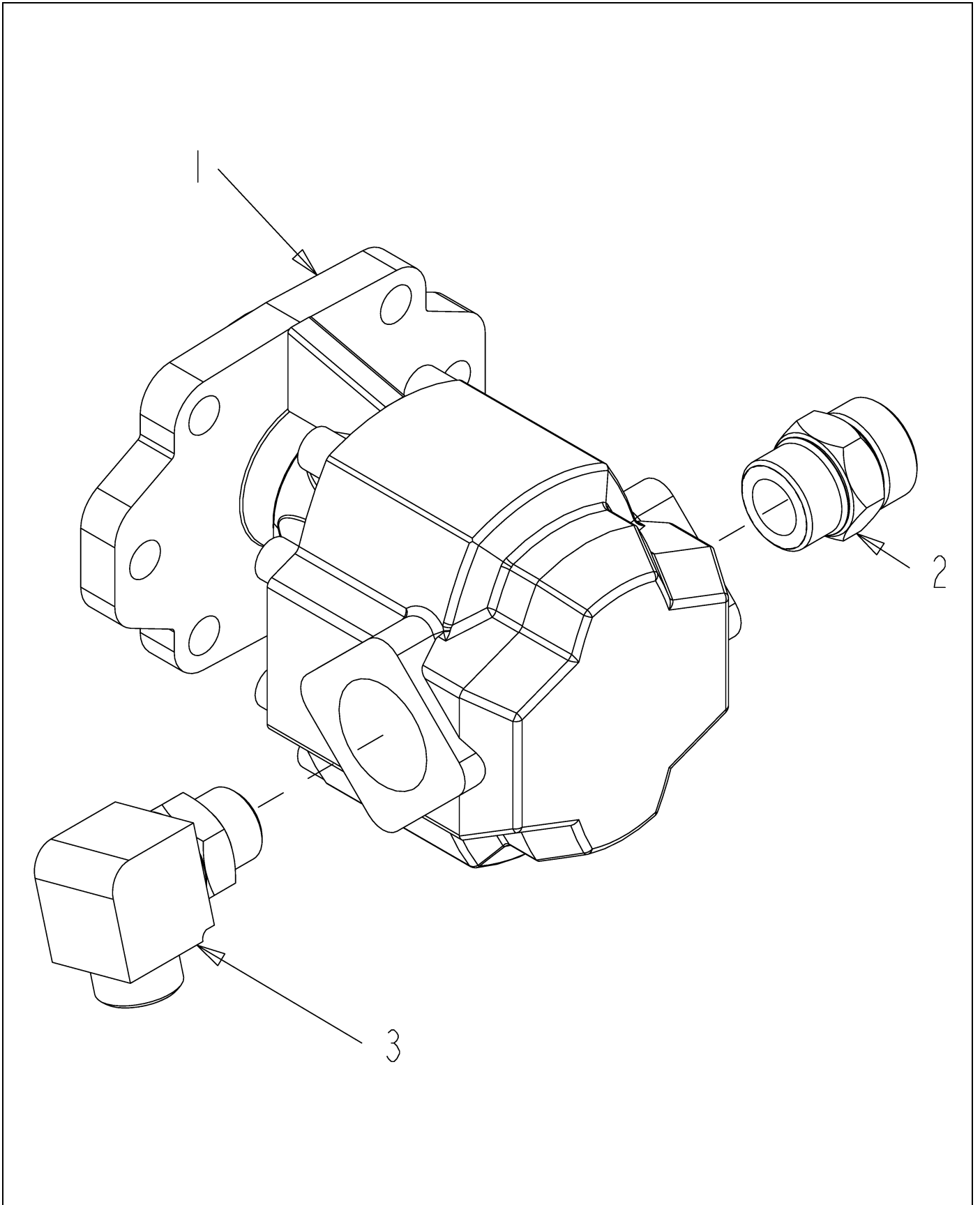
ITEM	PART #	QTY	DESCRIPTION	COMMENTS
1	CH6V-8637	1	CONNECTOR-12 ORFSX 12STOR	
2	400366X1	1	SEAL-O-RING 22.5 ODX1.78 DIA	
3	400416X1	1	SEAL-O-RING 23.47IDX2.95DIA	



512859D1-01-N562-.TIF

PUMP INSTL-HYD,SYS,HV

ITEM	PART #	QTY	DESCRIPTION	COMMENTS
1	AG512885	AR	LOCTITE ADHESIVE SEALANT BLUE	
2	AG550264	2	WASHER 0.50 LK ZN REG	
3	AG550817	2	BOLT 0.50-13NCX 1.50 G5 ZN HHD	
4	AG714101	1	GASKET PUMP	[A]
5	512860D1	1	PUMP ASM-HYD,SYS,HV	SEE PAGE 5-52
	FOOTNOTE [A]		COVER PLATE - AG106560	

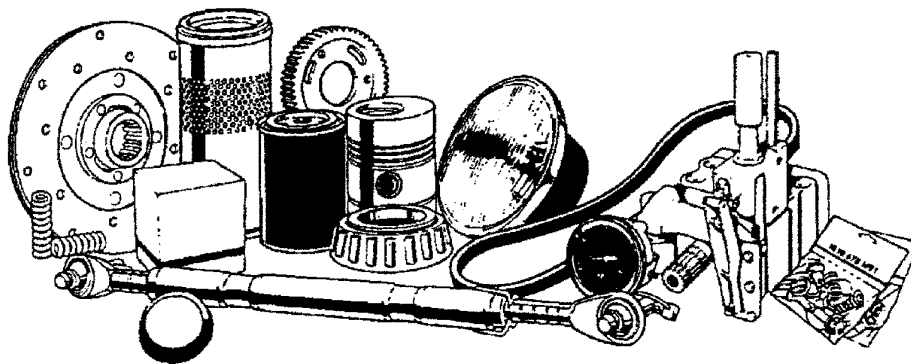


512860D1-01-N562-.TIF

PUMP ASM-HYD,SYS,HV

ITEM	PART #	QTY	DESCRIPTION	COMMENTS
1	AG121444	1	PUMP-HYD,2.11CIR,.88 13T	[A]
2	CH148-8335	1	CONNECTOR AS.-16 STORX16 ORFS	SEE PAGE 5-53
3	CH148-8347	1	ELBOW AS-90° 12STOR X 12ORFS	SEE PAGE 5-34
	FOOTNOTE [A]		AG726836 FRONT SEAL (2 USED)	

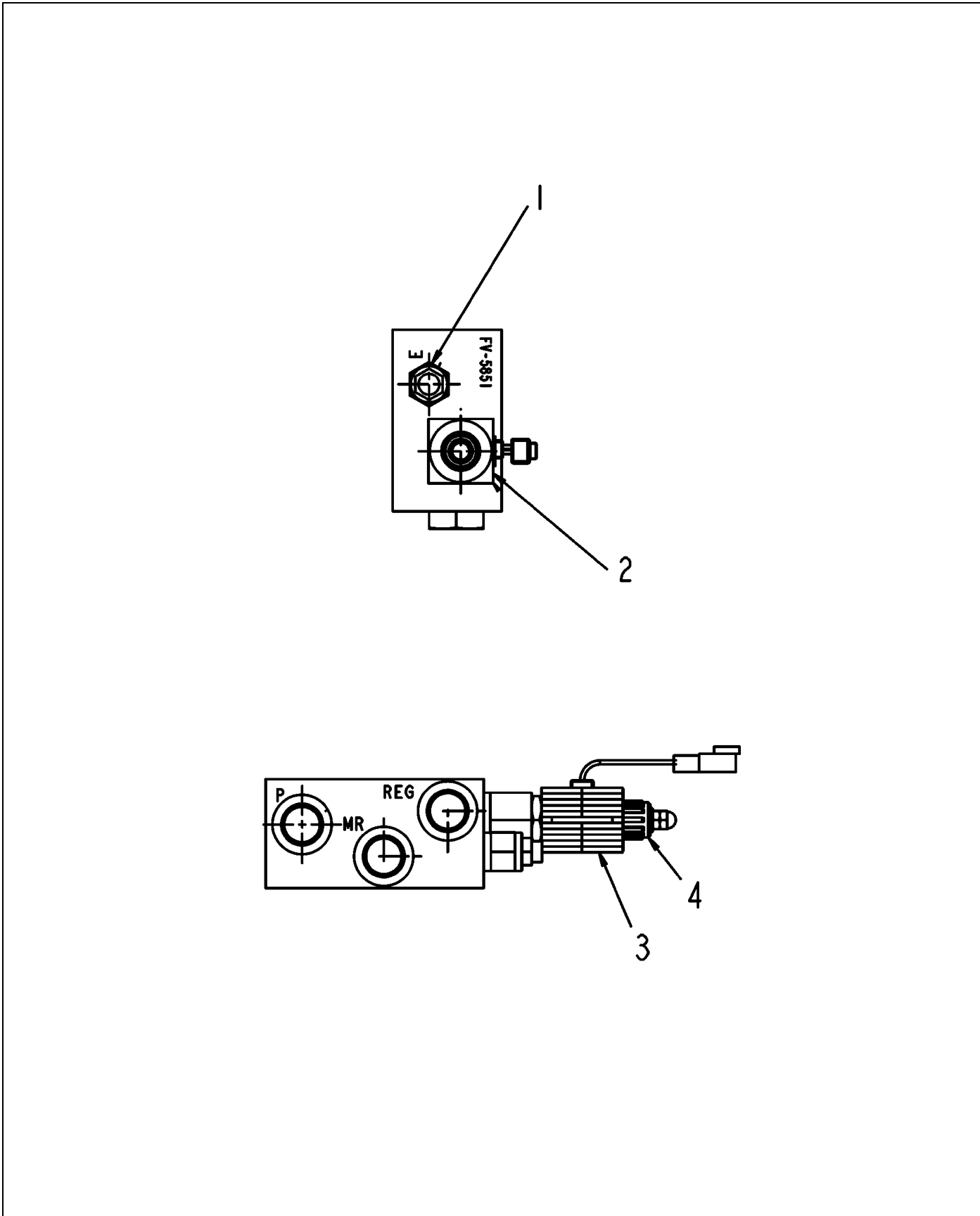
**Please refer to the
Bill Of Material
on the opposite page
for related Installations,
Assemblies, or Parts**



CH148-8335.tif

CONNECTOR AS.-16 STORX16 ORFS

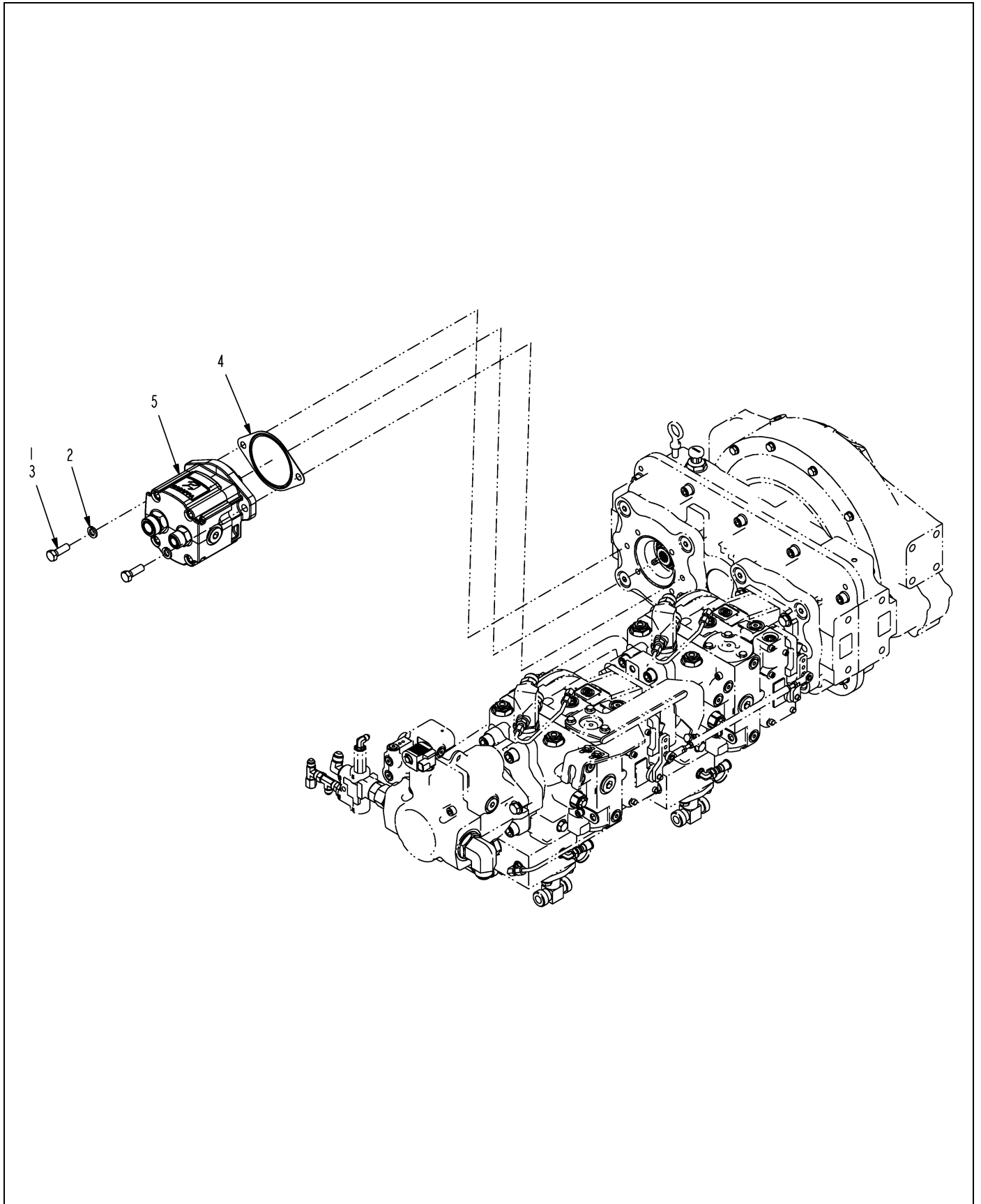
ITEM	PART #	QTY	DESCRIPTION	COMMENTS
REF			DETAIL IMAGE, PLEASE REFER TO RELATED PAGES FOR MORE INFORMATION	
1	CH6V-8635	1	CONNECTOR-16 STORX -16ORFS	
2	400123X1	1	SEAL-O RING-27.22ODX1.78 DIA	
3	400376X1	1	SEAL-O-RING 29.74 IDX2.95 DIA	



424287-D.tif

VALVE-HYD,PWM,LIQ SYS,15 GPM

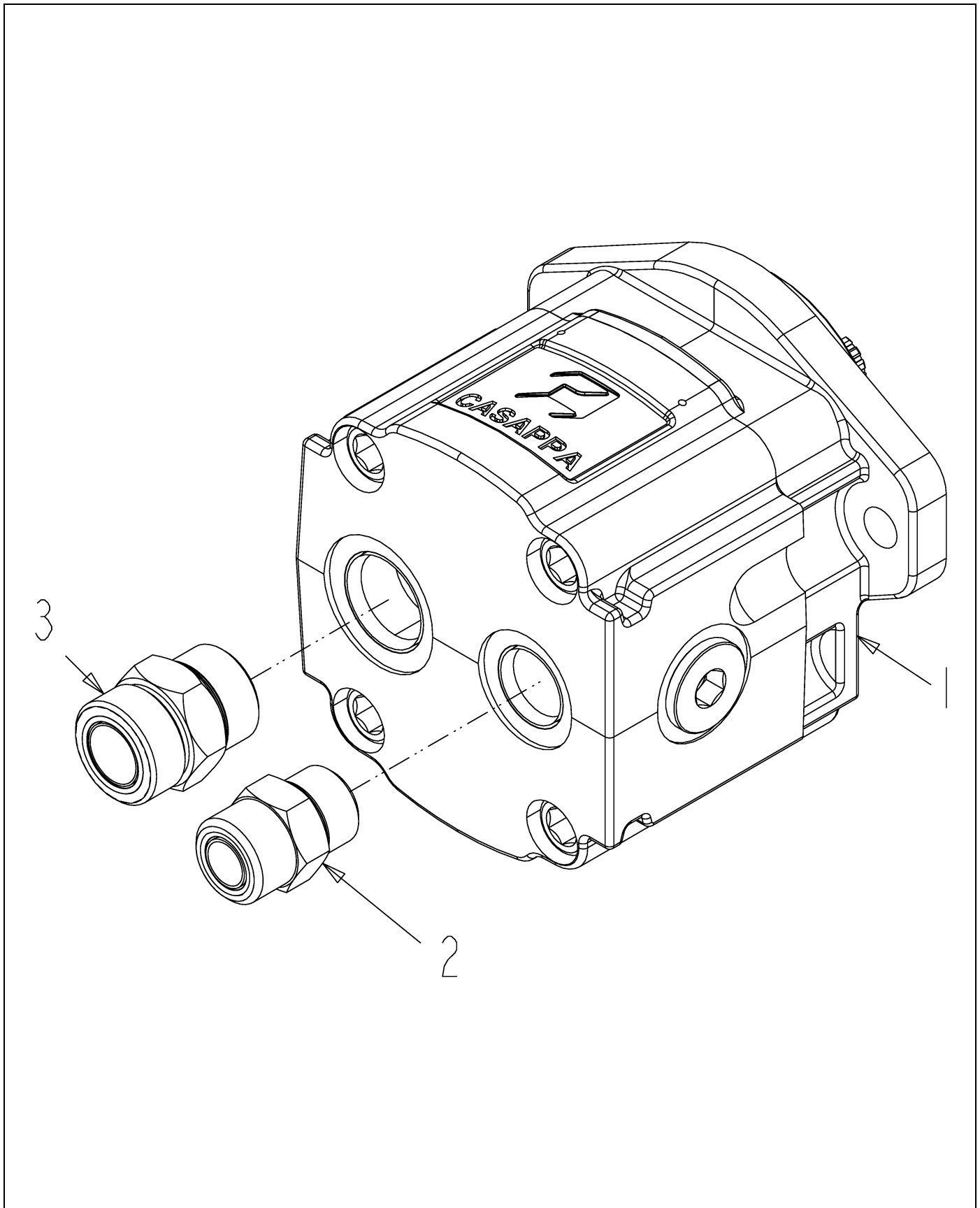
ITEM	PART #	QTY	DESCRIPTION	COMMENTS
1	AG059917	-	VALVE,RELIEF	
2	AG121465	-	VALVE-PROPORTIONAL,15GPM	
3	AG060702	-	COIL	
4	AG726404	-	NUT/COIL (424287)	



513011D1-01-N562-.TIF

PUMP INSTL-HYD,20GPM,LIQ,1074C

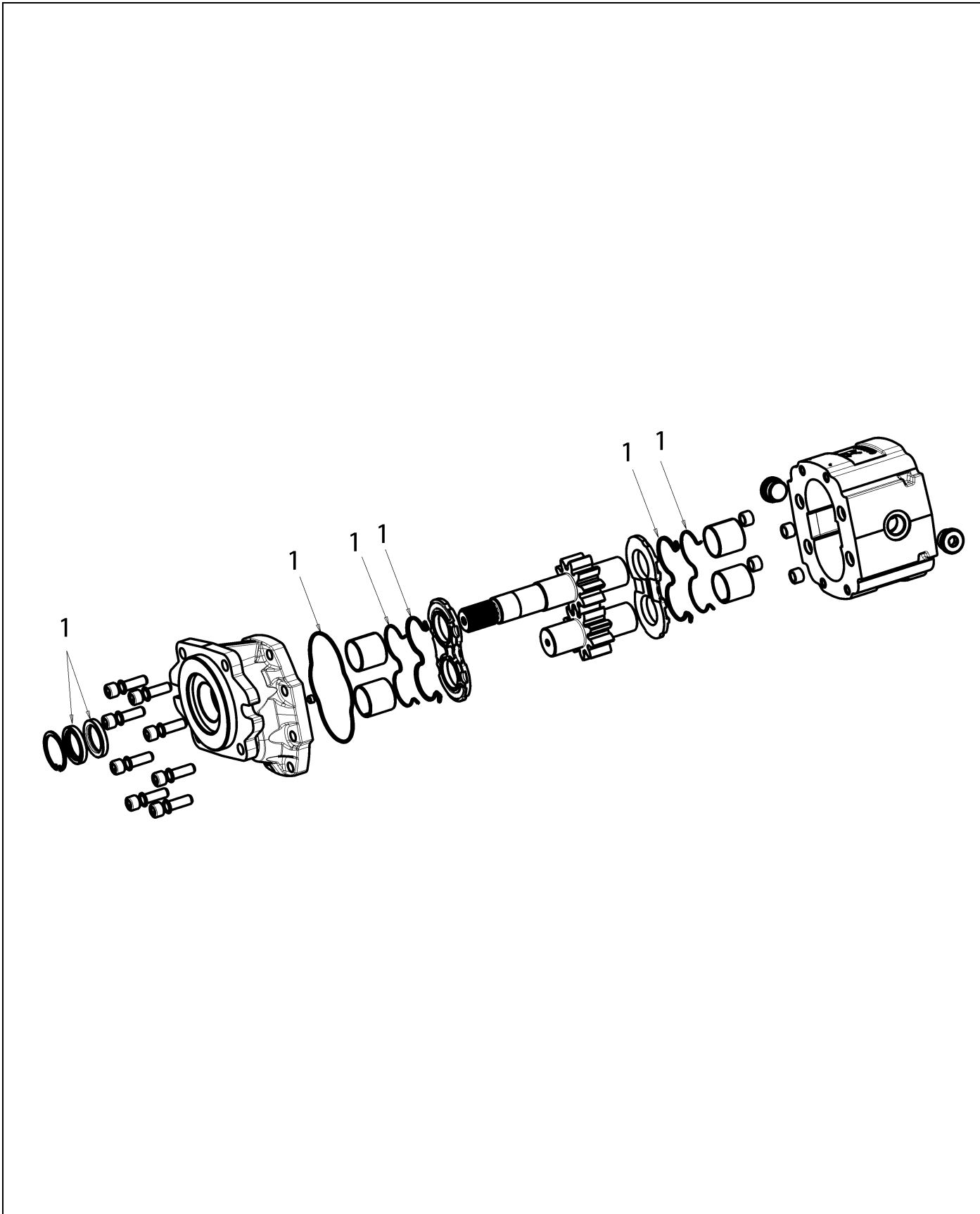
ITEM	PART #	QTY	DESCRIPTION	COMMENTS
1	AG512885	AR	LOCTITE ADHESIVE SEALANT BLUE	
2	AG550264	2	WASHER 0.50 LK ZN REG	
3	AG550817	2	BOLT 0.50-13NCX 1.50 G5 ZN HHD	
4	AG714101	1	GASKET PUMP	[A]
5	513013D1	1	PUMP ASM-HYD,2.11CIR,.88 13T	SEE PAGE 5-56
	FOOTNOTE [A]		COVER PLATE - AG106560	



513013D1-01-N562-.TIF

PUMP ASM-HYD,2.11CIR,.88 13T

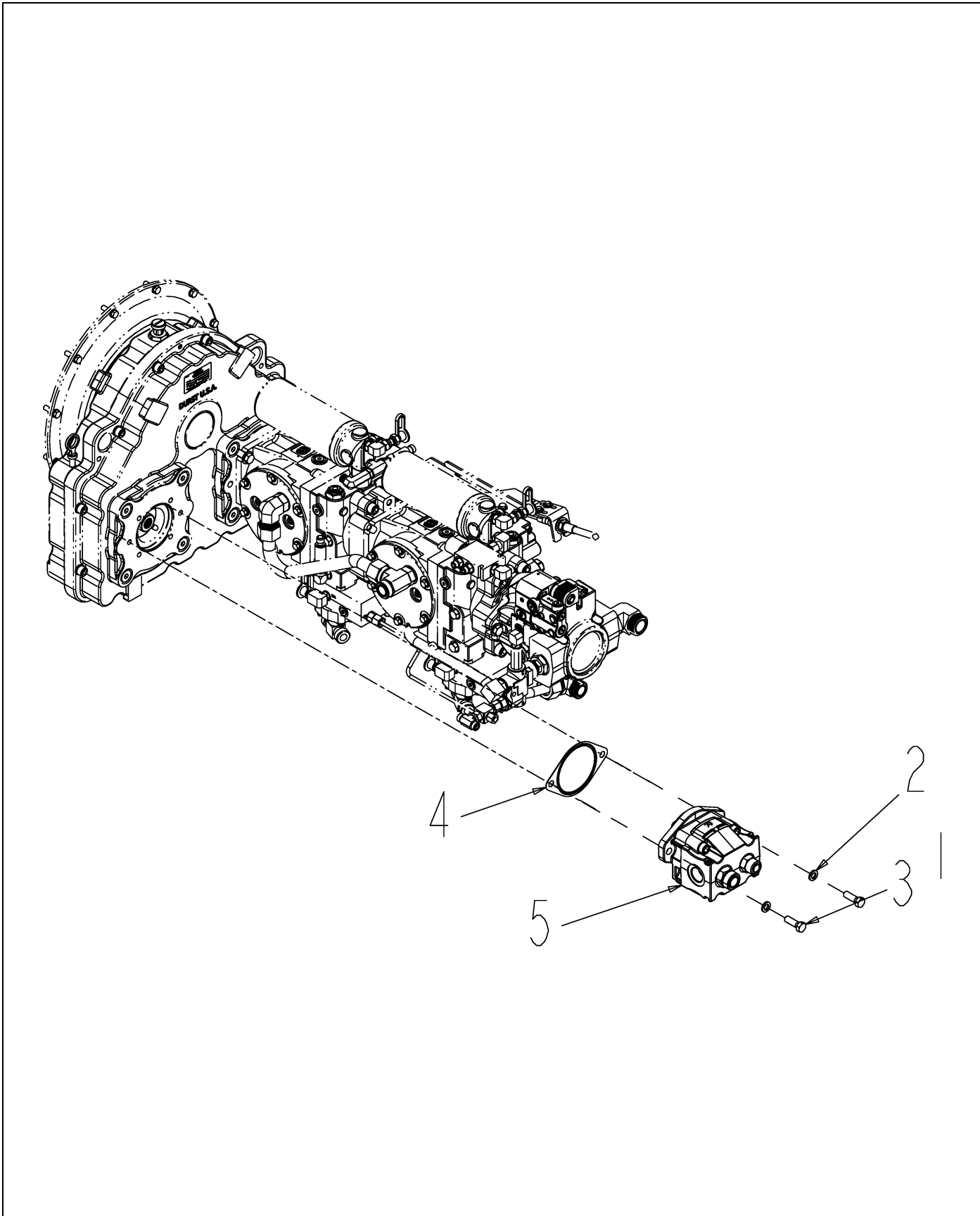
ITEM	PART #	QTY	DESCRIPTION	COMMENTS
1	AG132615	1	PUMP-HYD,2.11CIR,.88 13T	SEE PAGE 5-57
2	CH148-8327	1	CONNECTOR AS-12 ORFSX 12STOR	SEE PAGE 5-50
3	CH148-8335	1	CONNECTOR AS.-16 STORX16 ORFS	SEE PAGE 5-53



132615.TIF

PUMP-HYD,2.11CIR,.88 13T

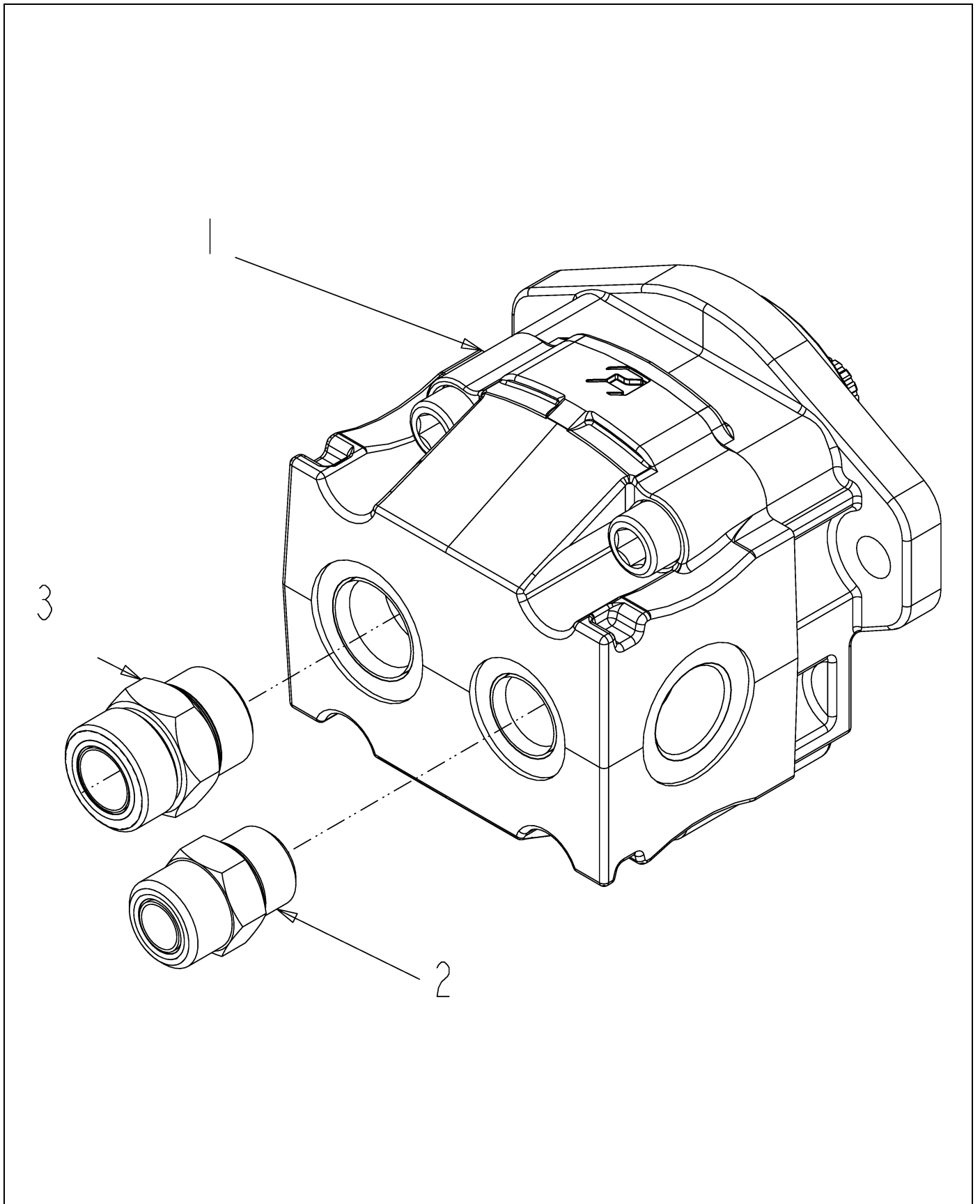
ITEM	PART #	QTY	DESCRIPTION	COMMENTS
1	AG139087	1	SEAL KIT/KM30-A8K9	



513233D1-01-N562-.TIF

PUMP INSTL-HYD,SYS,1286C

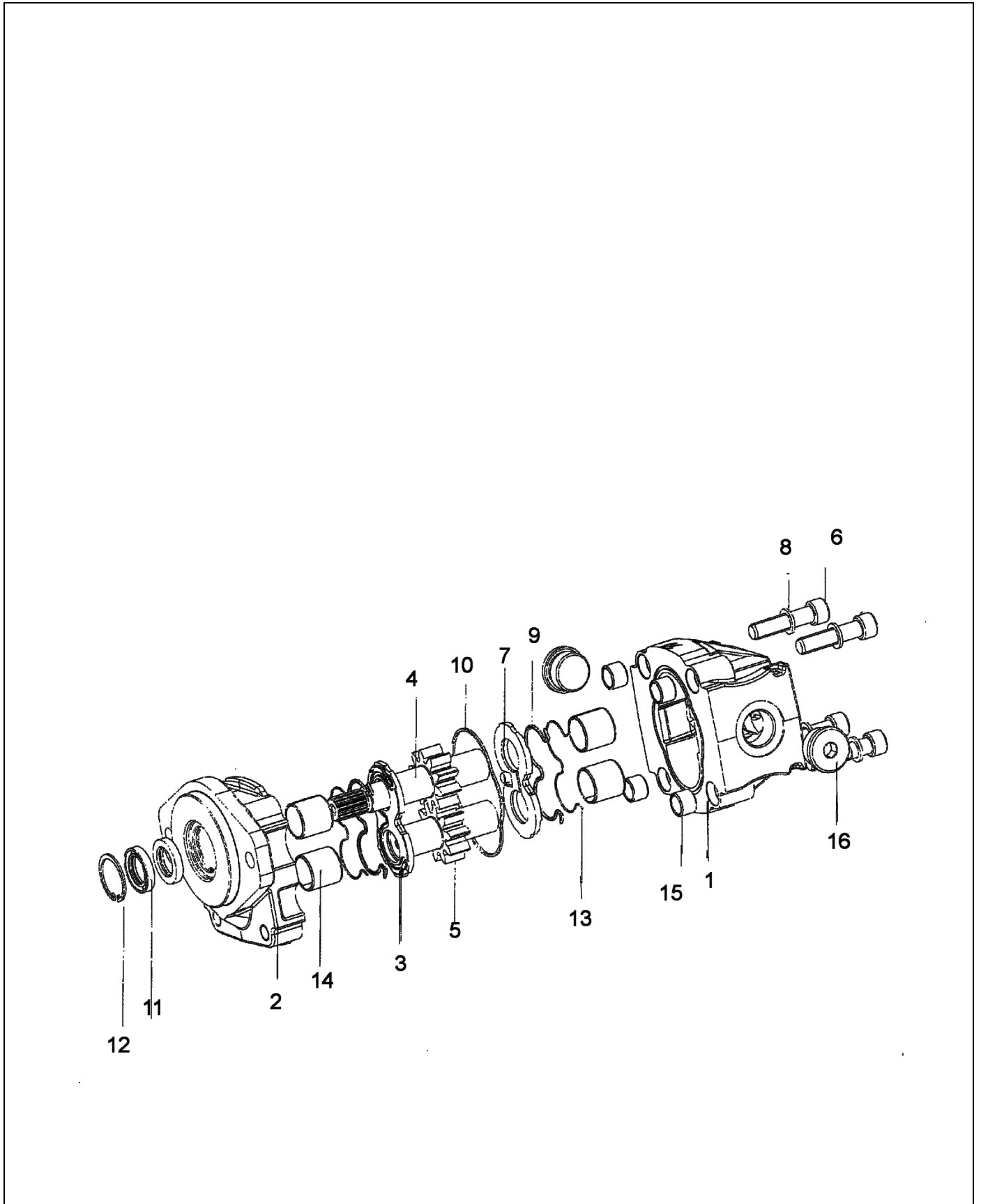
ITEM	PART #	QTY	DESCRIPTION	COMMENTS
1	AG512885	AR	LOCTITE ADHESIVE SEALANT BLUE	
2	AG550264	2	WASHER 0.50 LK ZN REG	
3	AG550817	2	BOLT 0.50-13NCX 1.50 G5 ZN HHD	
4	AG714101	1	GASKET PUMP	[A]
5	513209D1	1	PUMP ASM-HYD,SYS,HV	SEE PAGE 5-59
	FOOTNOTE [A]		COVER PLATE - AG106560	



513209D1-01-N562-.TIF

PUMP ASM-HYD,SYS,HV

ITEM	PART #	QTY	DESCRIPTION	COMMENTS
1	AG123074	1	PUMP-HYD,1.87CIR,.88 13T	SEE PAGE 5-60
2	CH148-8327	1	CONNECTOR AS-12 ORFSX 12STOR	SEE PAGE 5-50
3	CH148-8335	1	CONNECTOR AS.-16 STORX16 ORFS	SEE PAGE 5-53

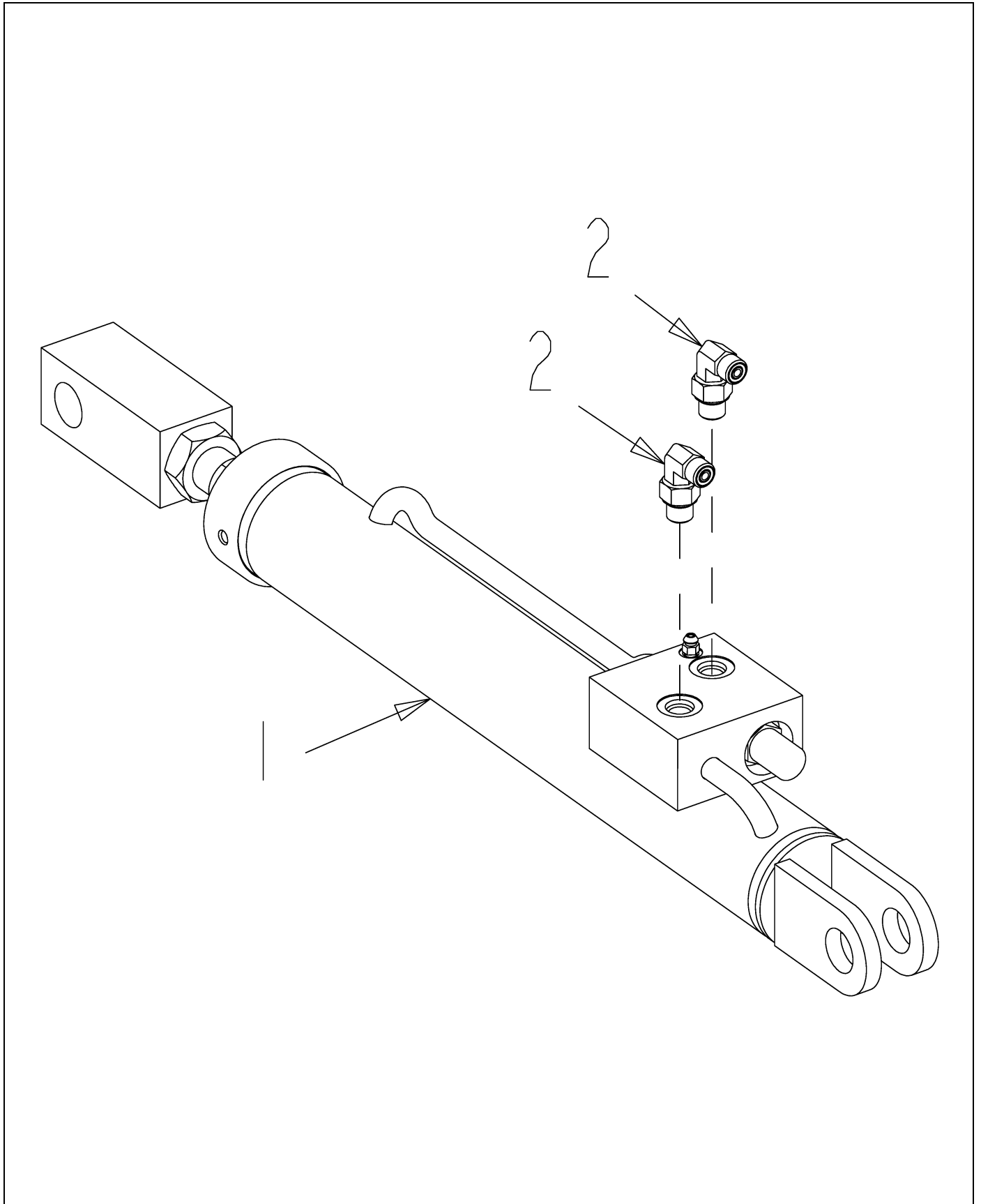


123074-D.TIF

PUMP-HYD,1.87CIR,.88 13T

ITEM	PART #	QTY	DESCRIPTION	COMMENTS
REF	AG137424	1	SEAL	
1	AG132126	1	BODY	
2	AG132127	1	COVER, PUMP FRONT	
3	AG132128	2	PLATE, THRUST	
4	AG132129	1	SHAFT, DRIVE	
5	AG132130	1	GEAR, DRIVEN	
6	AG132131	4	SCREW	
7	AG132132	1	SCREW, GRUB	
8	AG132133	4	WASHER	
9	AG132134	2	SEAL	
10	AG132135	1	SEAL	
11	AG132136	2	SEAL, SHAFT	
12	AG132137	1	RING	
13	AG132138	2	RING, RETAINER	
14	AG132139	4	SLEEVE, BEARING	
15	AG132140	4	BUSHING	
16	AG132141	2	PLUG	

CYLINDER ASM-BOOM TIP FOLD

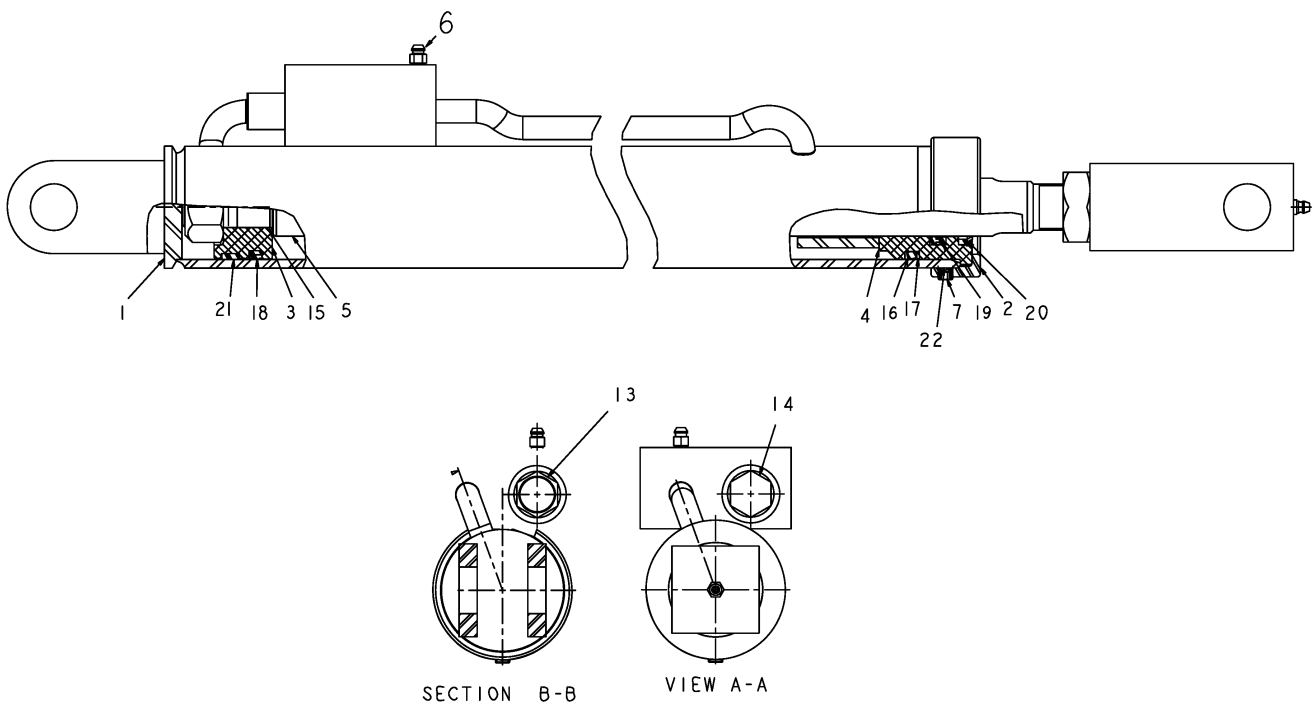


512868D1-01-N562-.TIF

CYLINDER ASM-BOOM TIP FOLD

ITEM	PART #	QTY	DESCRIPTION	COMMENTS
1	AG122391	1	CYLINDER-HYD,2.25X14.00X1.25	SEE PAGE 5-62
2	401289X1	2	ELBOW-90D,-6STOR X -4ORFS	SEE PAGE 5-3

CYLINDER-HYD,2.25X14.00X1.25



122391.TIF

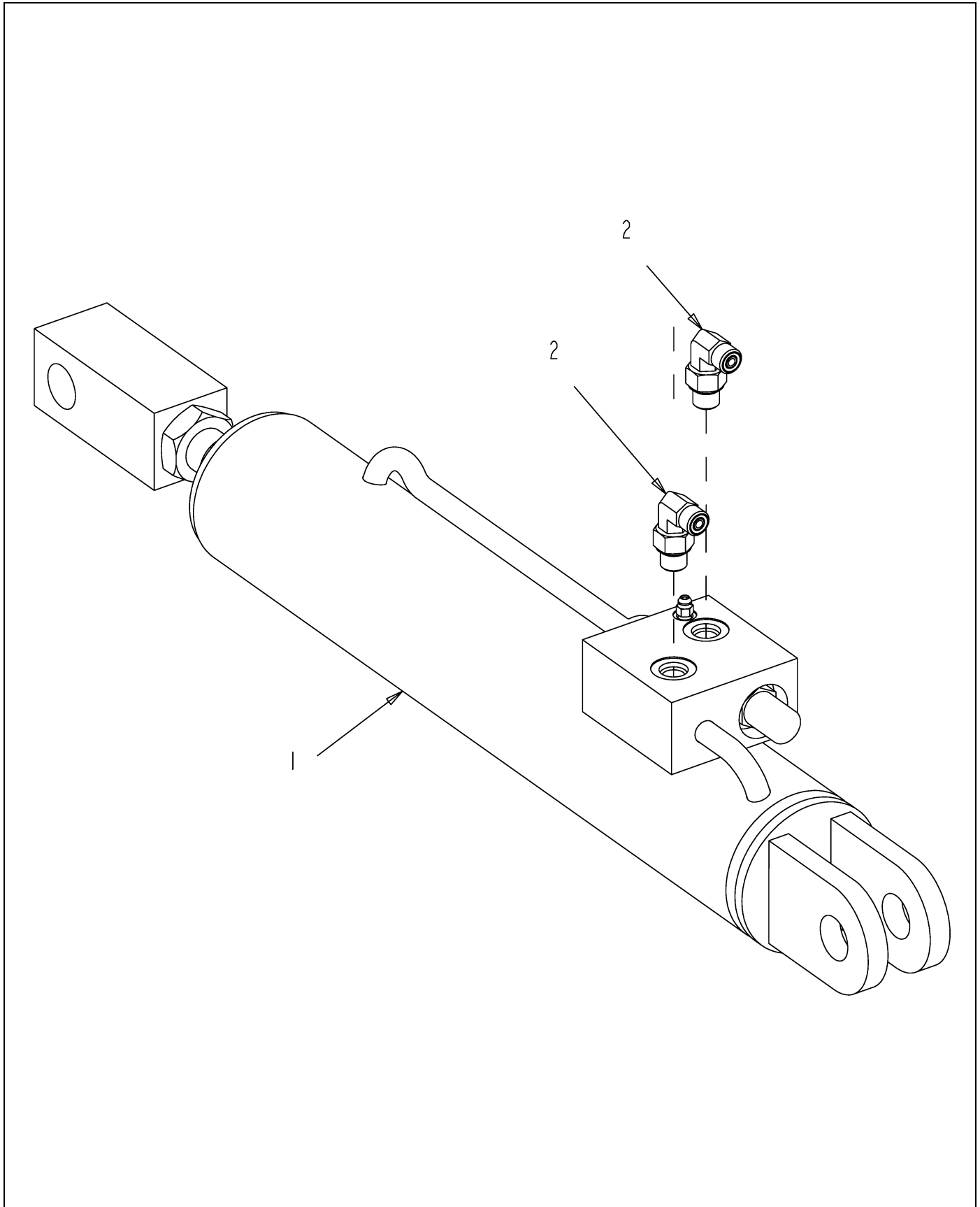
CYLINDER-HYD,2.25X14.00X1.25

ITEM	PART #	QTY	DESCRIPTION	COMMENTS
2	AG138402	1	CAP/HEAD GLAND	
2	AG131609	1	CAP, HEAD GLAND	
3	AG727106	1	PISTON	
3	AG131608	1	HEAD, GLAND	
4	AG727104	1	GLAND/HEAD	
5	AG727103	1	ROD/CYLINDER	
6	AG131593	1	SPACER, ROD	
6	AG129928	1	SCREW/BLEEDER	
7	AG061236	1	SCREW/SET .313-18X.25	
8	AG138401	1	VALVE/CB, CBCA-CHN (3000)	
9	AG138400	1	VALVE/CHECK PO, CKCB-XFN	
9	AG562560	1	NUT 1.00-14NS HEX ZN JAM G5	
10	AG122434	1	KIT-SEAL,HYD CYL,092EN0078	[A]
10	AG606707	1	NUT 0.87-14NF HEX ZN C-LK G8	
12	AG561892	1	FITTING LUBE STR 0.25UNF	
13	AG131551	1	VALVE, CHECK CB	
14	AG131550	1	VALVE,CHECK PO	

FOOTNOTE [A]

ITEM 15 - 22 CANNOT BE PURCHASED INDIVIDUALLY BUT ARE INCLUDED IN THE SEAL KIT.

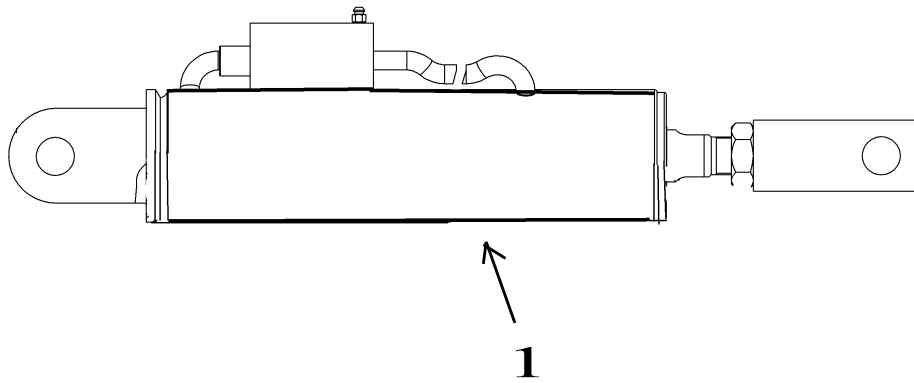
CYLINDER ASM-FOLD BACK,BM,120



513448D1-01-N562-.TIF

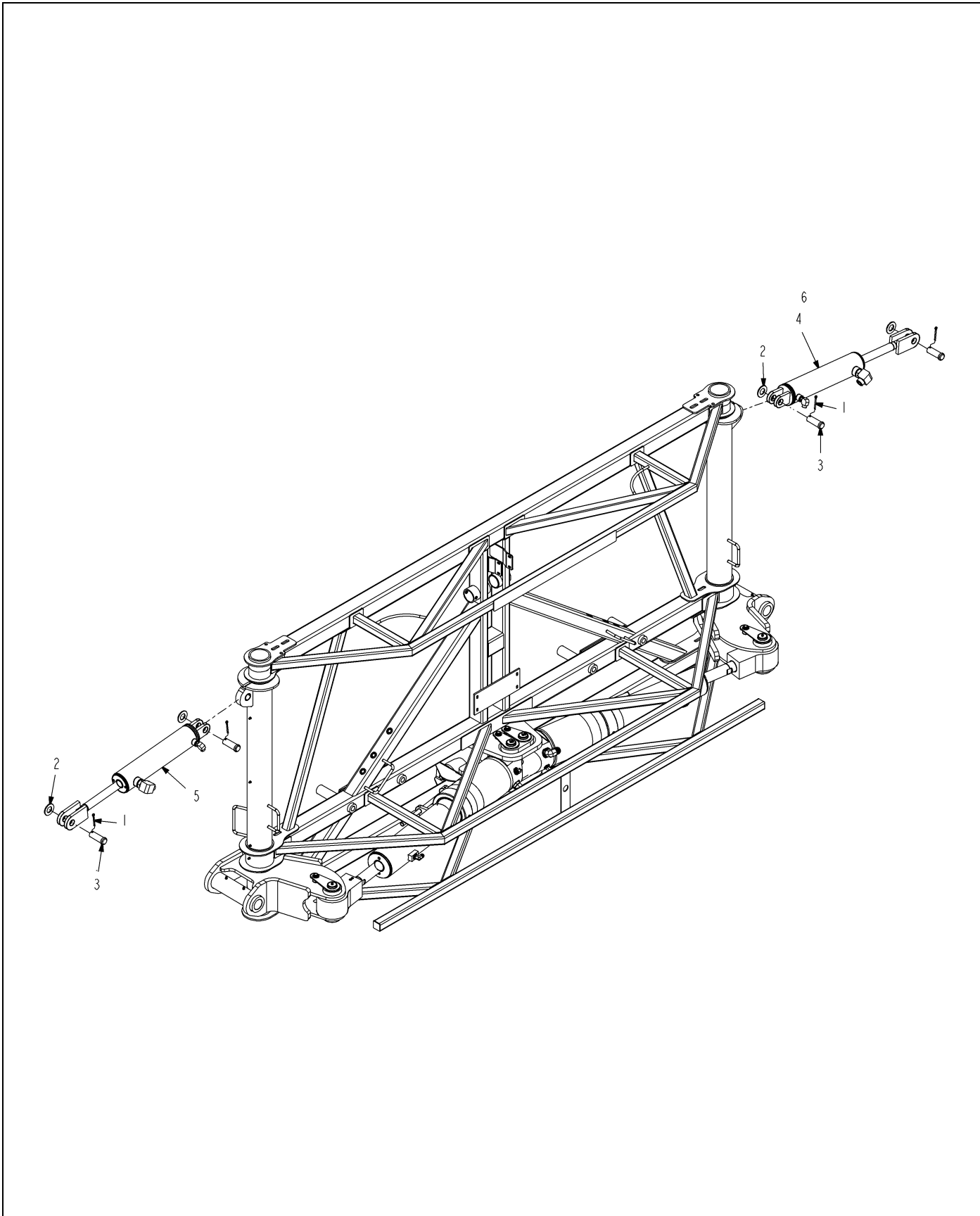
CYLINDER ASM-FOLD BACK,BM,120

ITEM	PART #	QTY	DESCRIPTION	COMMENTS
1	AG136821	1	CYLINDER-HYD,3.00X14.00X1.38	SEE PAGE 5-64
2	401289X1	2	ELBOW-90D,-6STOR X -4ORFS	SEE PAGE 5-3



CYLINDER-HYD,3.00X14.00X1.38

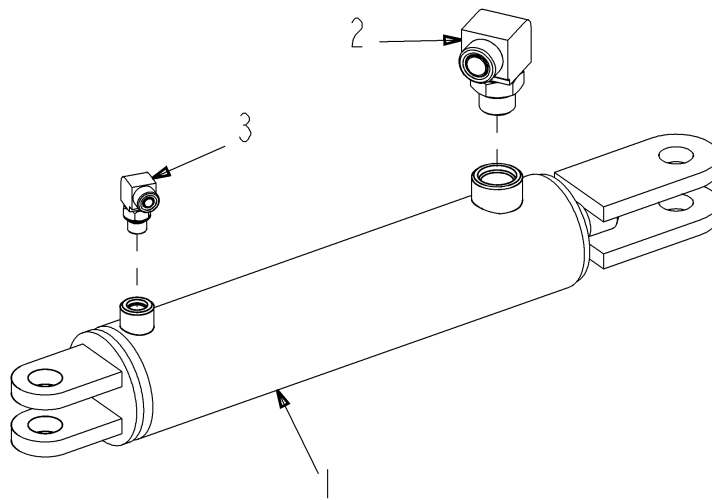
ITEM	PART #	QTY	DESCRIPTION	COMMENTS
1	AG136822	-	KIT-SEAL,HYD CYL,092GN0128	



518288D1-01-R172-.TIF

CYL INSTL-TILT,W/O AUTOBM,120

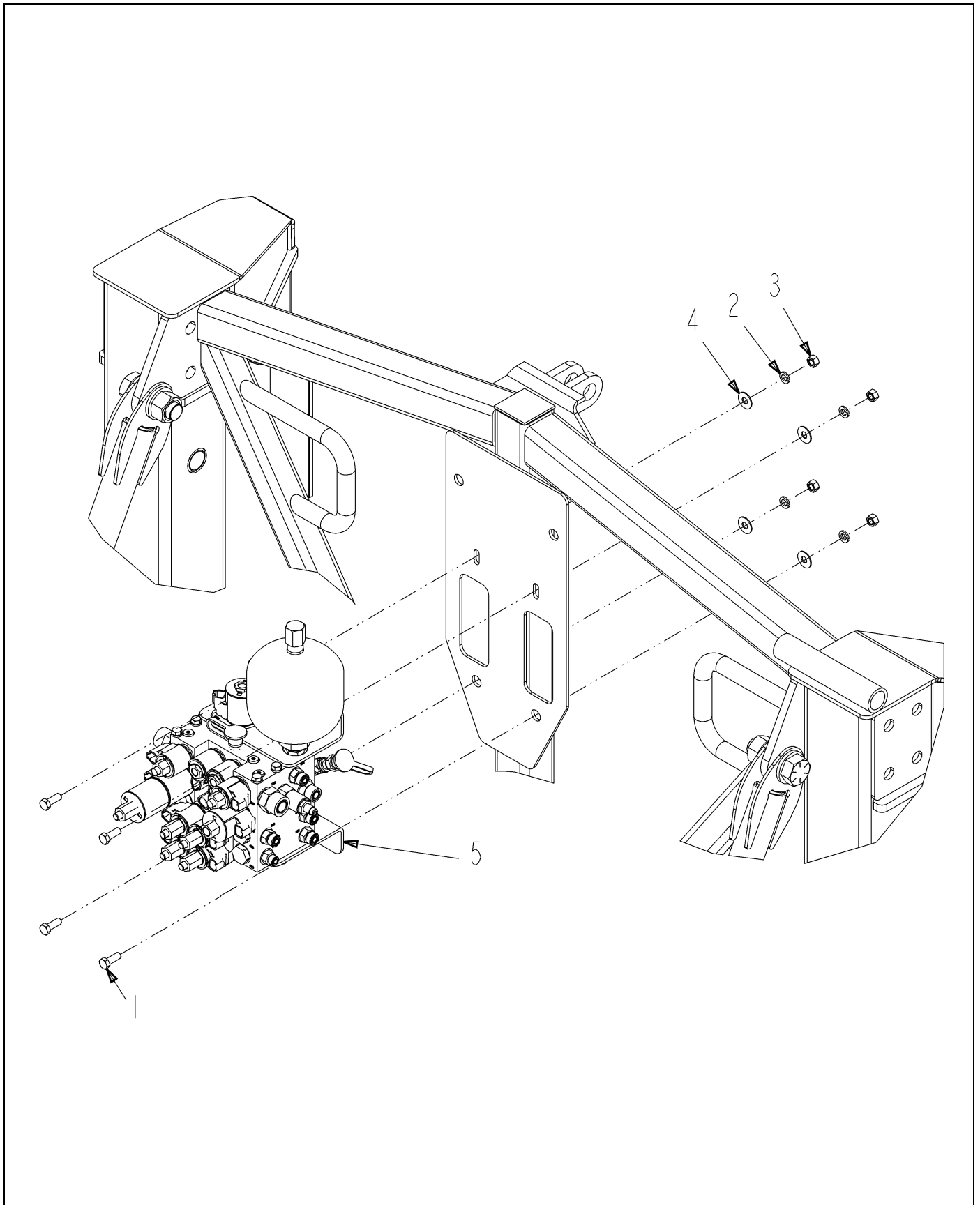
ITEM	PART #	QTY	DESCRIPTION	COMMENTS
1	AG515352	4	PIN COTTER 0.18X2.00 SS	
2	AG551856	4	WASHER 1.00 FL ZN SAE TYPE-A	
3	AG602132	4	PIN CLEVIS 1.00X2.62 ZN	[A]
4	518290D1	1	CYL ASM-TILT,W/O AUTOBM,120,RH	SEE PAGE 5-66
5	518291D1	1	CYL ASM-TILT,W/O AUTOBM,120,LH	SEE PAGE 11-38
6	518292D1	1	HOSE INSTL-HYD,W/O AUTOBM,120	SEE PAGE 11-42
	FOOTNOTE [A]		GREASABLE PIN IS 519637	



518290D1-01-R172-.TIF

CYL ASM-TILT,W/O AUTOBM,120,RH

ITEM	PART #	QTY	DESCRIPTION	COMMENTS
1	AG136825	1	CYLINDER-HYD,3.00X11.38X1.25	SEE PAGE 5-29
2	CH148-8347	1	ELBOW AS-90° 12STOR X 12ORFS	SEE PAGE 5-34
3	CH148-8378	1	ELBOW AS-90-6STOR X 6ORFS	SEE PAGE 5-24

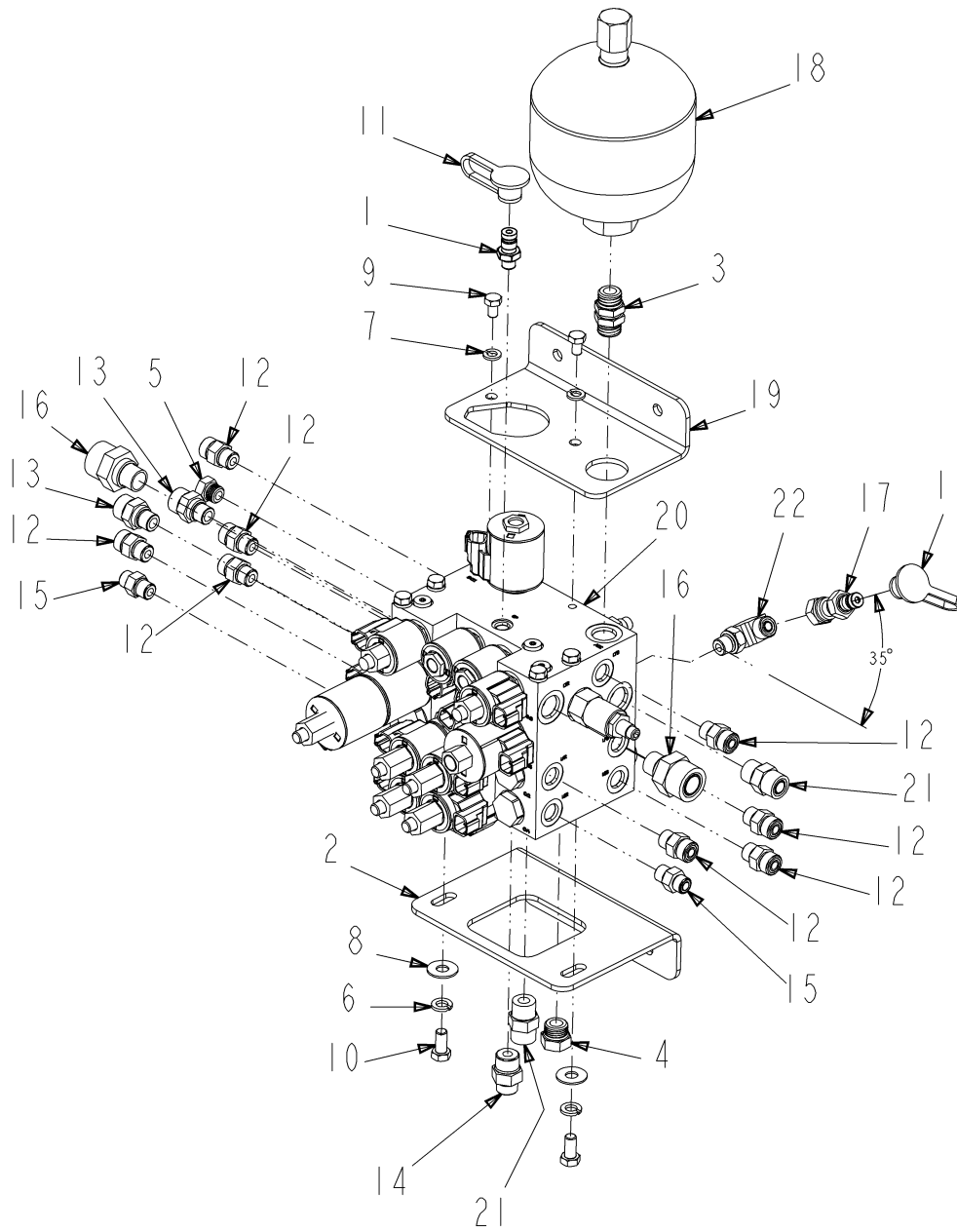


518296D1-01-R172-.TIF

BLOCK INSTL-HYD,W/O AUTOBM,120

ITEM	PART #	QTY	DESCRIPTION	COMMENTS
1	AG550175	4	BOLT 0.37-16NCX 1.00 G5 ZN HHD	
2	AG550191	4	WASHER 0.37 LK ZN REG	
3	AG550825	4	NUT 0.37-16NC HEX ZN REG	
4	AG551007	4	WASHER 0.37 FL ZN REG TYPE-B	
5	518298D1	1	BLOCK ASM-HYD,W/O AUTOBM,120	SEE PAGE 5-68

BLOCK ASM-HYD,W/O AUTOBM,120

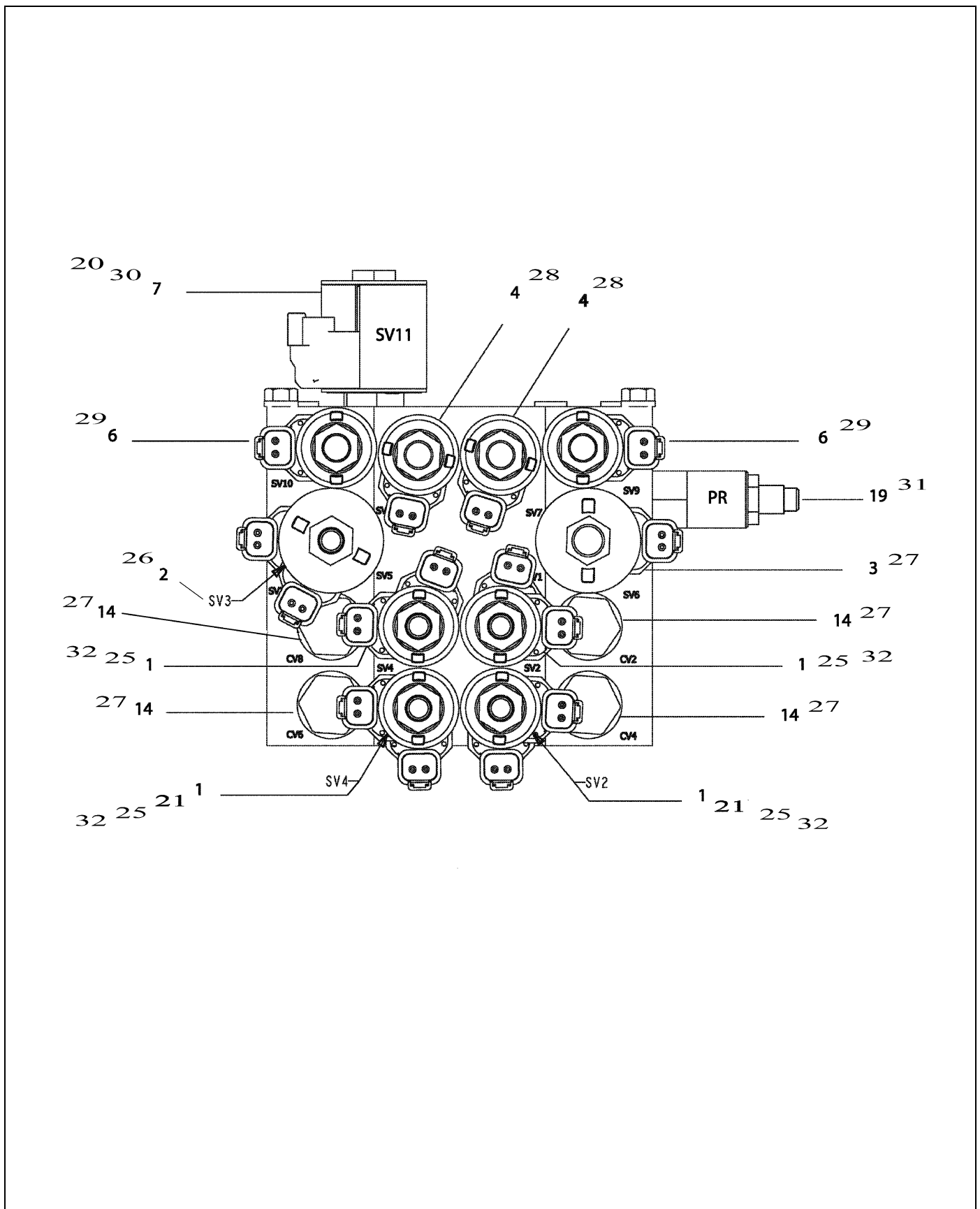


518298D1-01-R172-.TIF

BLOCK ASM-HYD,W/O AUTOBM,120

ITEM	PART #	QTY	DESCRIPTION	COMMENTS
1	WR32723	1	COUPLING-MPD/-04MB	
2	AG327803	1	BRKT-MTG,LOWER,VALVE BLOCK	
3	AG524378	1	ADPTR-STR,.50MO-R X .50MO-R	SEE PAGE 5-22
4	AG560899	1	PLUG 0.50MO-R HEX	
5	AG561797	1	PLUG 0.37MO-R HEX	[A]
6	AG562050	2	WASHER 0.37 LK SS REG	
7	AG562051	2	WASHER 0.31 LK SS REG	
8	AG562073	2	WASHER 0.37 FL SS REG TYPE-B	
9	AG562079	2	BOLT 0.31-18NCX 0.50 SS HHD	
10	AG562120	2	BOLT 0.37-16NCX 0.75 S.S. HHD	
11	400323X1	2	CAP-DUST 12.6 DIA -RUBBER	
12	400367X1	8	CONNECTOR AS-6 STOR -6 ORFS	SEE PAGE 5-16
13	400428X1	2	CONNECTOR AS-STR-6STOR-8ORFS	SEE PAGE 5-7
14	400628X1	1	CONNECTOR AS-STR-8STOR-6ORFS	SEE PAGE 5-17
15	400630X1	2	CONNECTOR AS-STR-6STOR-4ORFS	SEE PAGE 5-18
16	400963X1	2	CONNECTOR AS-STR -8STOR-12ORFS	
17	401024X1	1	NIPPLE-TEST PORT,PD,-06 ORFS	
18	507719D1	1	ACCUM-HYD,DIAPH,60CU IN,175PSI	
18	509921D1	1	BRKT-MTG,UPPER,VALVE BLOCK	
20	515130D1	1	BLOCK-VALVE,7BANK,NO AUTOBOOM	SEE PAGE 5-70
21	CH148-8340	2	CONNECTOR AS -8ORFS-8STOR	SEE PAGE 5-23
22	CH148-8378	1	ELBOW AS-90-6STOR X 6ORFS	SEE PAGE 5-24
	FOOTNOTE [A]		AG713166 O-RING	

BLOCK-VALVE, 7BANK, NO AUTOBOOM

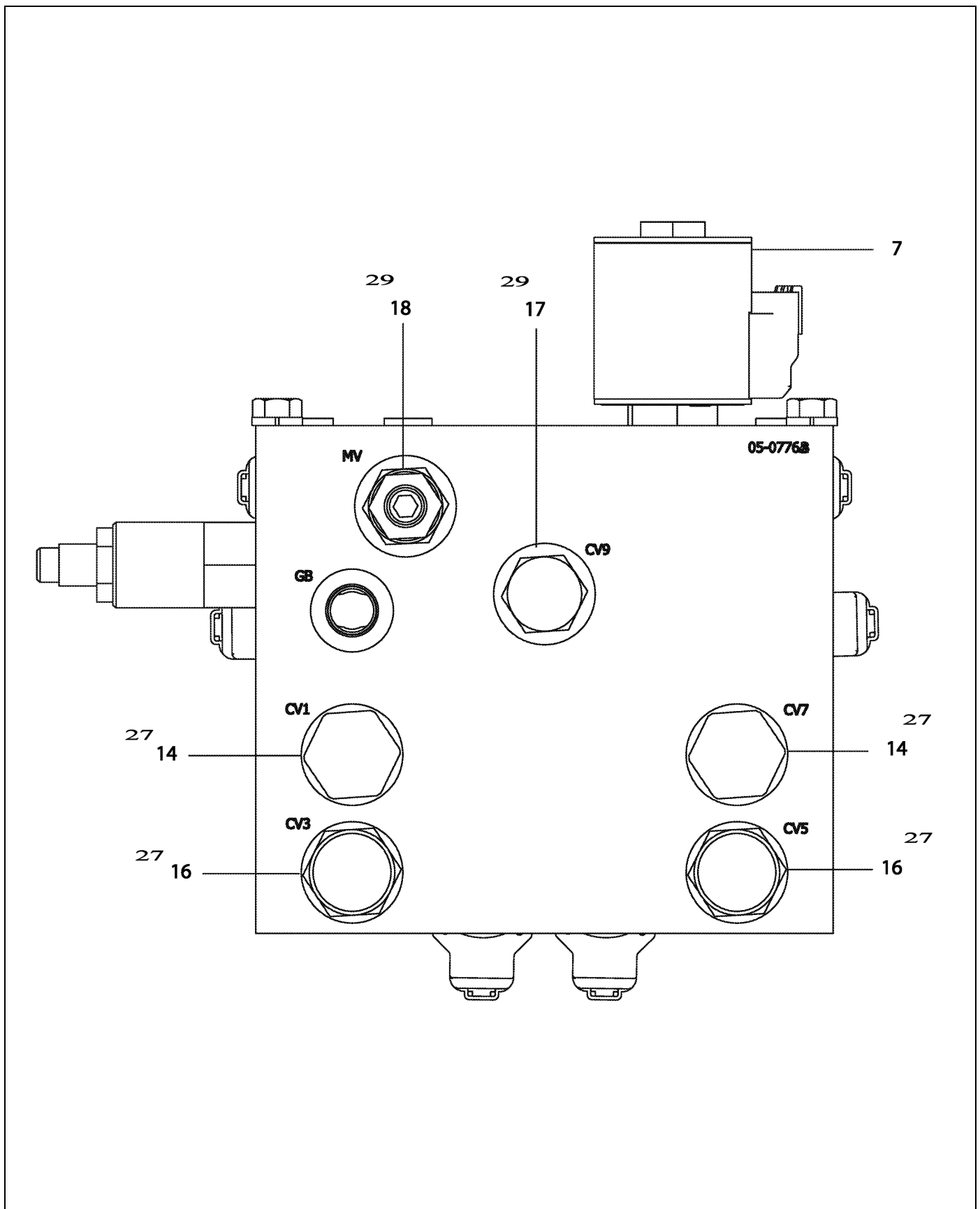


515130D1-01-R172-2.TIF

BLOCK-VALVE,7BANK,NO AUTOBOOM

ITEM	PART #	QTY	DESCRIPTION	COMMENTS
1	AG727147	-	VALVE/SOLENOID	
2	AG721899	AR	CARTRIDGE PUMP	
3	AG125811	AR	VALVE-SOL,2WAY POPPET,18 GPM	
4	AG724687	AR	SOLENOID VALVE 523480	
5	AG718011	AR	ORIFICE BOOM	
6	AG718059	AR	CARTRIDGE-2WAY,NORMALLY CLOSED	[A]
7	AG725602	AR	CARTRIDGE-SOLENOID VALVE	
8	AG121483	AR	COIL-E,12VDC DEUTCH W/DIODE,08	
9	AG121484	AR	COIL-E,12VDC DEUTCH W/DIODE,10	
10	AG726854	AR	NUT/PULL COIL E-SERIES	
11	AG726853	AR	NUT/PUSH COIL,E-SERIES	
12	AG121486	AR	SPACER-E COIL,08	
13	AG121485	AR	SPACER-E COIL,10	
14	AG715570	AR	CHECK VALVE	
15	AG715569	AR	PILOT PISTON	
19	517308D1	AR	VLV-PRESS RED,PLT OPT,1500/250	
20	AG059148	AR	ORIFICE	
21	517010D1	AR	ORIFICE-2WAY,.070,-6SAE THREAD	
22	AG522023	AR	PLATE-ORFICE,2 WAY,.040 DIA	
23	AG121920	AR	NUT-PULL COIL,E-SERIES,#10	
24	AG121921	AR	NUT-PULL COIL,E-SERIES,#8	
25	AG716814	-	KIT-ORING,SPOOL VIV,4W(609463)	
26	AG715207	AR	SEAL KIT	
27	AG059018	AR	SEAL KIT	
28	AG714832	AR	SEAL KIT 712817	
29	AG716811	AR	KIT-ORING,ND VALVE(609465)	
30	AG121382	-	KIT-SEAL,MANUAL,SPRING RETURN	
31	AG121495	AR	KIT-SEAL,VALVE,-10	
	FOOTNOTE [A]		SEAL KIT - AG716811	

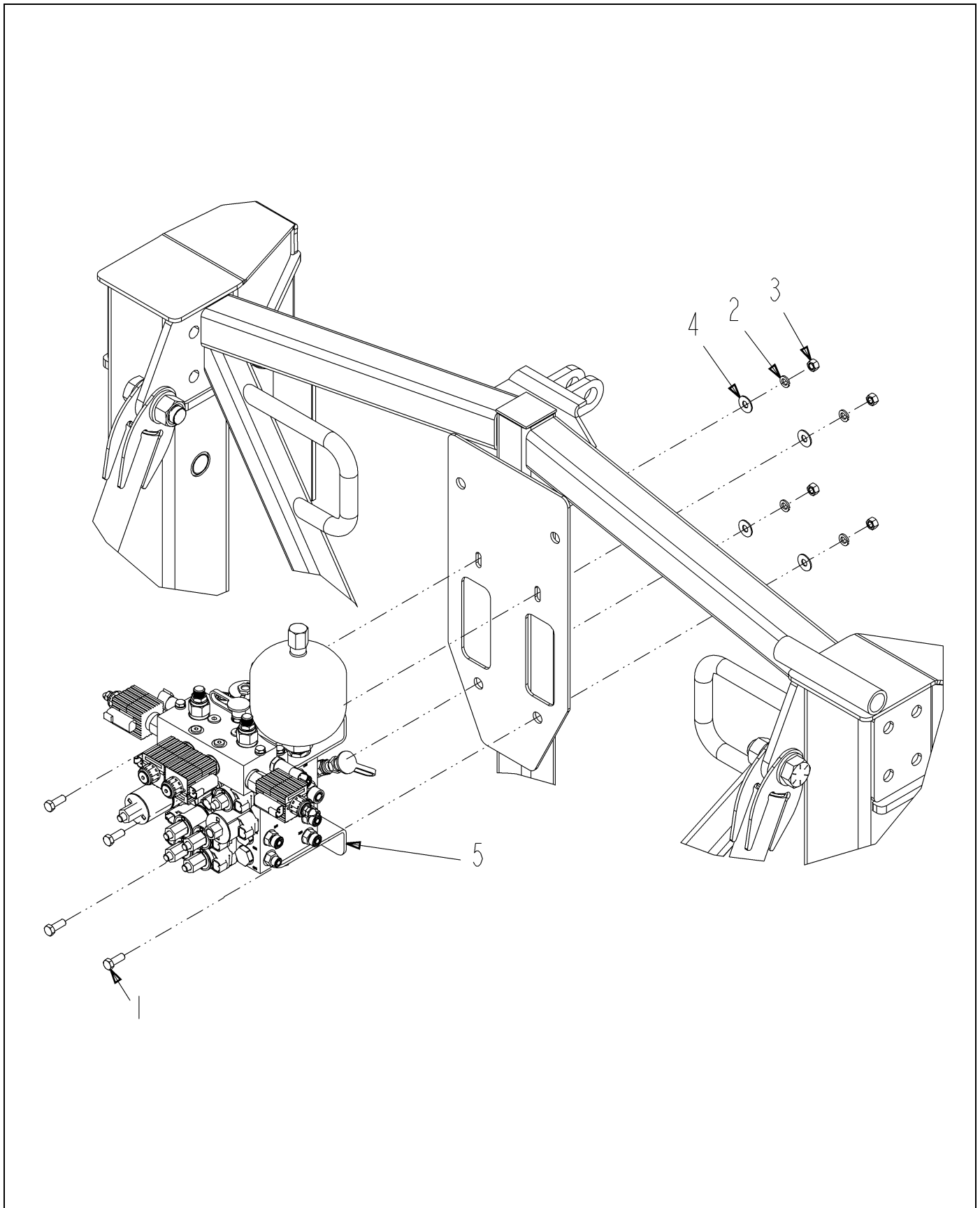
BLOCK-VALVE,7BANK,NO AUTOBOOM



515130D1-01-R172-3.TIF

BLOCK-VALVE,7BANK,NO AUTOBOOM

ITEM	PART #	QTY	DESCRIPTION	COMMENTS
7	AG725602	AR	CARTRIDGE-SOLENOID VALVE	
14	AG715570	AR	CHECK VALVE	
16	AG715571	AR	CHECK VALVE	
17	AG717712	AR	VALVE- CHECK	
18	AG121927	AR	VALVE-RELEASE,MANUAL,#8	
27	AG059018	AR	SEAL KIT	
29	AG716811	AR	KIT-ORING,ND VALVE(609465)	

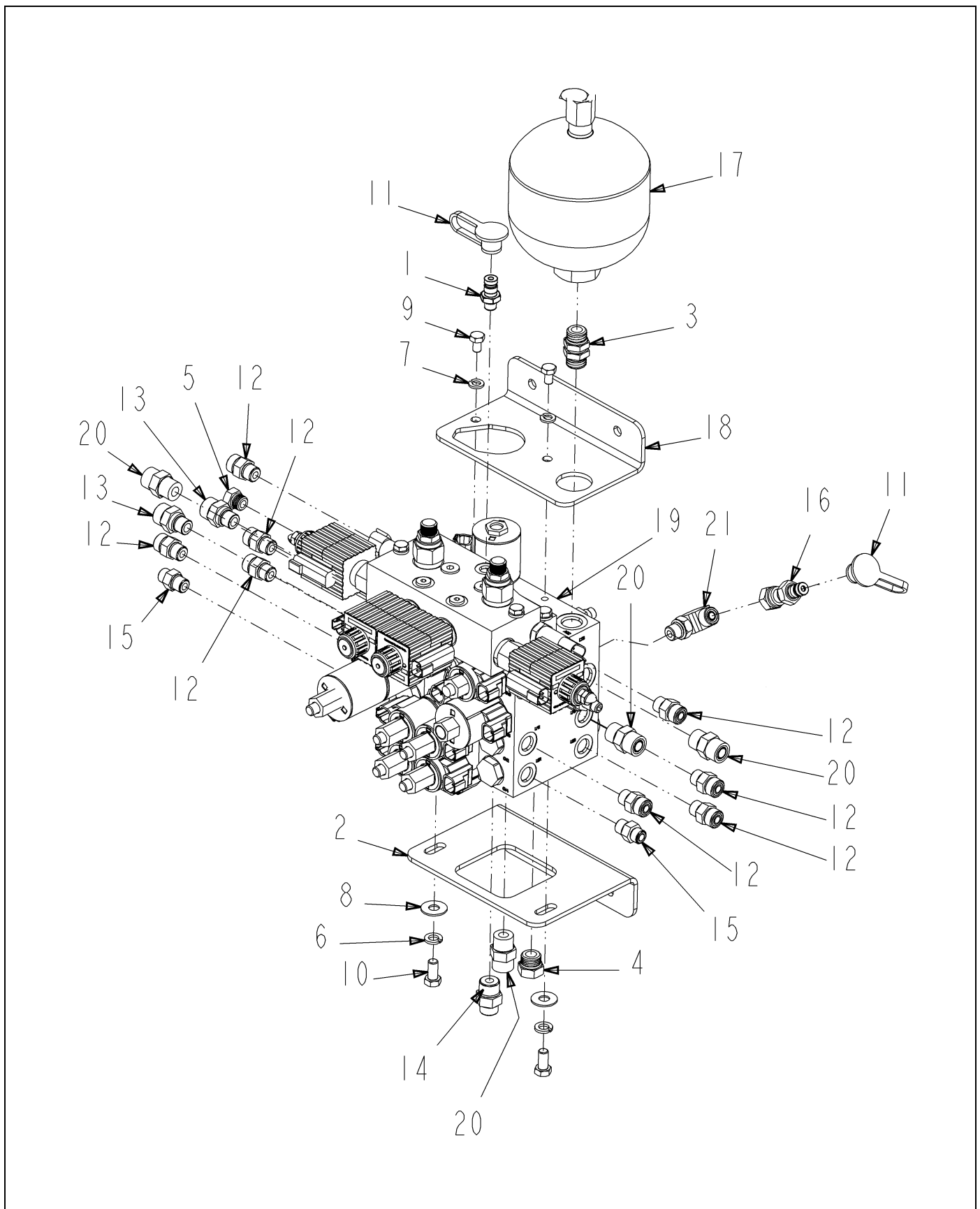


518297D1-01-R172-.TIF

BLOCK INSTL-HYD,W/AUTOBOOM,120

ITEM	PART #	QTY	DESCRIPTION	COMMENTS
1	AG550175	4	BOLT 0.37-16NCX 1.00 G5 ZN HHD	
2	AG550191	4	WASHER 0.37 LK ZN REG	
3	AG550825	4	NUT 0.37-16NC HEX ZN REG	
4	AG551007	4	WASHER 0.37 FL ZN REG TYPE-B	
5	518299D1	1	BLOCK ASM-HYD,W/AUTOBOOM,120	SEE PAGE 5-72

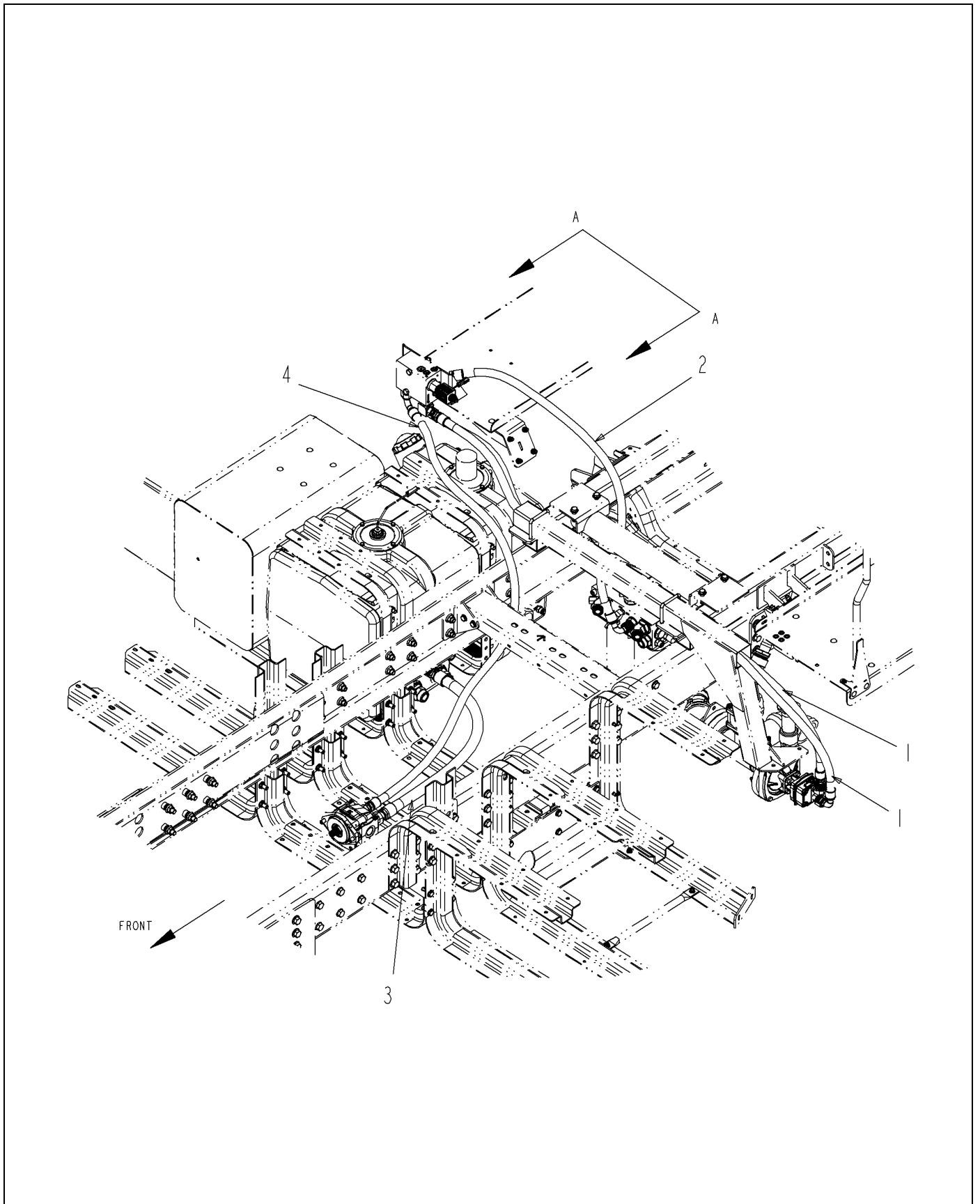
BLOCK ASM-HYD,W/AUTOBOOM,120



518299D1-01-R172-.TIF

BLOCK ASM-HYD,W/AUTOBOOM,120

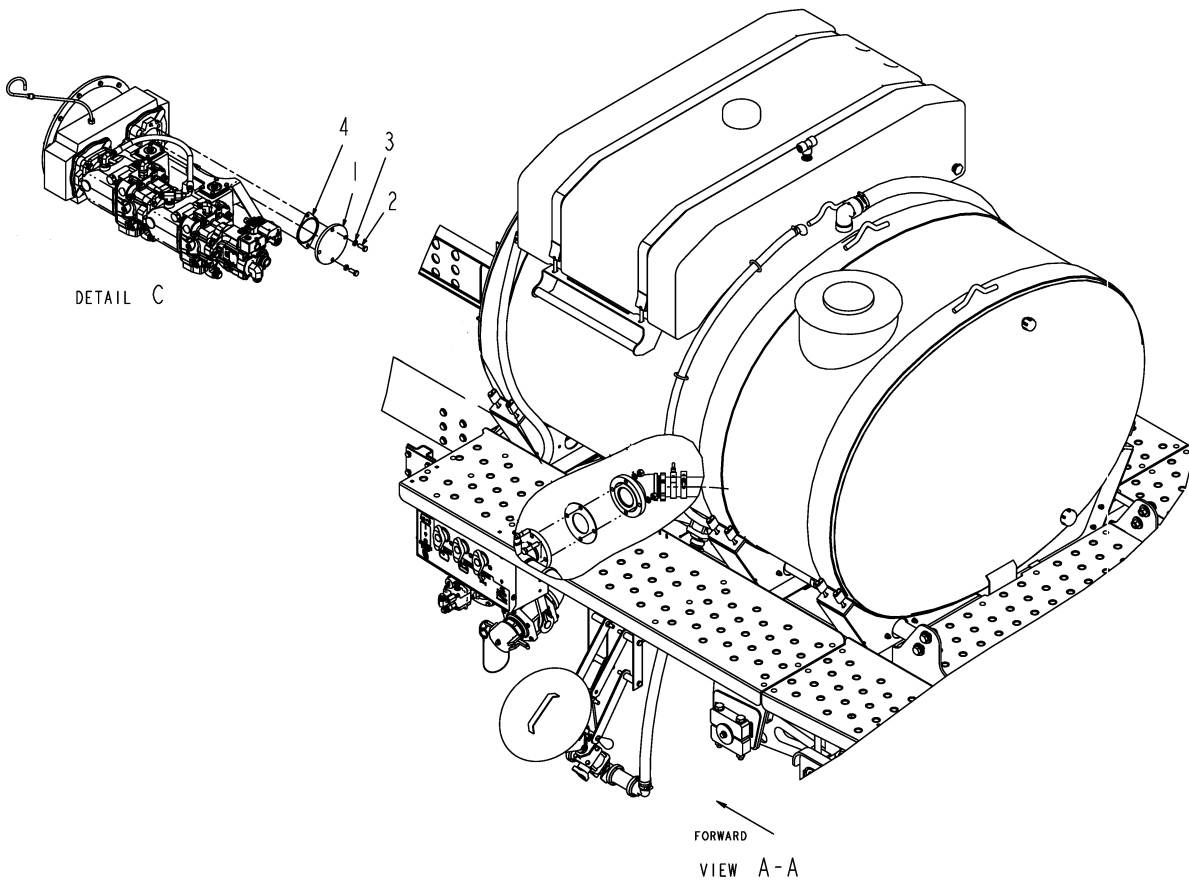
ITEM	PART #	QTY	DESCRIPTION	COMMENTS
1	WR32723	1	COUPLING-MPD/-04MB	
2	AG327803	1	BRKT-MTG,LOWER,VALVE BLOCK	
3	AG524378	1	ADPTR-STR,.50MO-R X .50MO-R	SEE PAGE 5-22
4	AG560899	1	PLUG 0.50MO-R HEX	
5	AG561797	1	PLUG 0.37MO-R HEX	[A]
6	AG562050	2	WASHER 0.37 LK SS REG	
7	AG562051	2	WASHER 0.31 LK SS REG	
8	AG562073	2	WASHER 0.37 FL SS REG TYPE-B	
9	AG562079	2	BOLT 0.31-18NCX 0.50 SS HHD	
10	AG562120	2	BOLT 0.37-16NCX 0.75 S.S. HHD	
11	400323X1	2	CAP-DUST 12.6 DIA -RUBBER	
12	400367X1	8	CONNECTOR AS-6 STOR -6 ORFS	SEE PAGE 5-16
13	400428X1	2	CONNECTOR AS-STR-6STOR-8ORFS	SEE PAGE 5-7
14	400628X1	1	CONNECTOR AS-STR-8STOR-6ORFS	SEE PAGE 5-17
15	400630X1	2	CONNECTOR AS-STR-6STOR-4ORFS	SEE PAGE 5-18
16	401024X1	1	NIPPLE-TEST PORT,PD,-06 ORFS	
17	507719D1	1	ACCUM-HYD,DIAPH,60CU IN,175PSI	
18	509921D1	1	BRKT-MTG,UPPER,VALVE BLOCK	
19	515133D1	1	BLOCK-VALVE,7BANK,W/AUTOBOOM	SEE PAGE 11-49
20	CH148-8340	4	CONNECTOR AS -8ORFS-8STOR	SEE PAGE 5-23
21	CH148-8378	1	ELBOW AS-90-6STOR X 6ORFS	SEE PAGE 5-24
	FOOTNOTE [A]		AG713166 O-RING	



513230D1-01-N562-.TIF

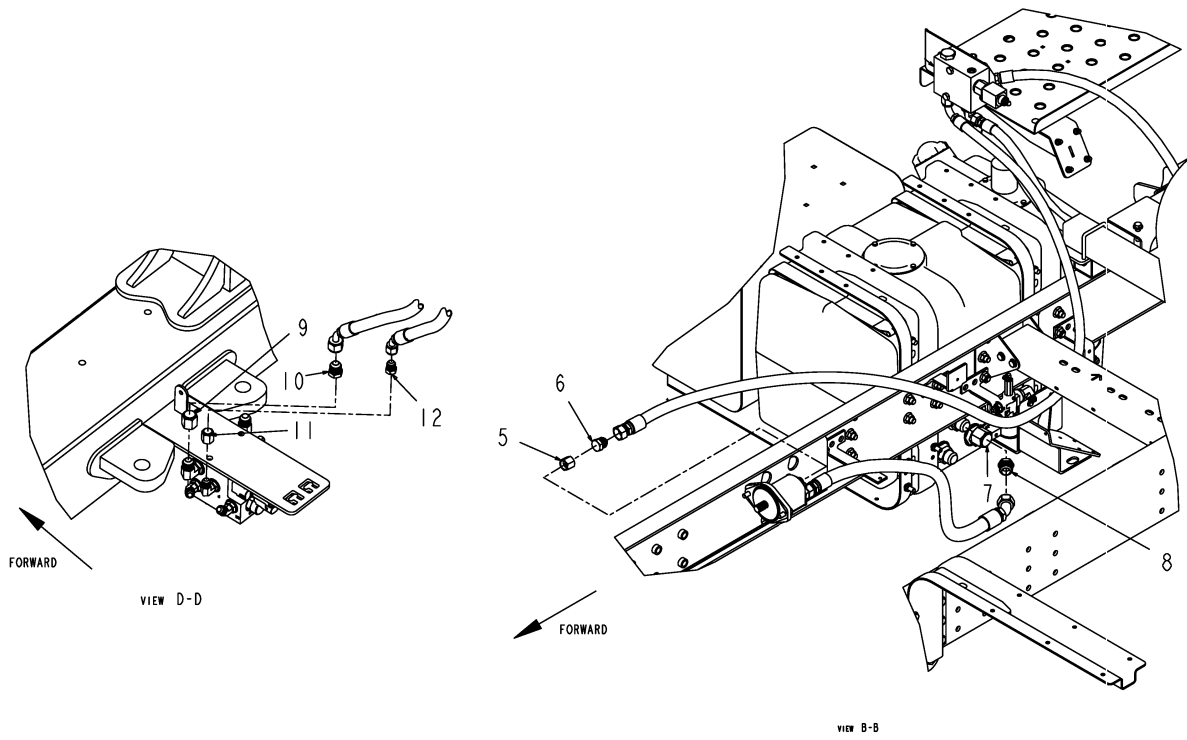
HOSE INSTL-HYD,LIQ SYS,1286C

ITEM	PART #	QTY	DESCRIPTION	COMMENTS
REF	513232D1	1	KIT-HOSE,LIQ,SYS,1286C	
1	512851D1	-	HOSE ASM,-12X99 ORFS/ORFS90	
2	512852D1	-	HOSE ASM,-12X64 ORFS/ORFS90	
3	513153D1	-	HOSE ASM,-16X58 ORFS/ORFS	
4	513231D1	-	HOSE ASM,-12X102 ORFS/ORFS90	



CAP INSTL-COMBO,LIQ,10/12X4C

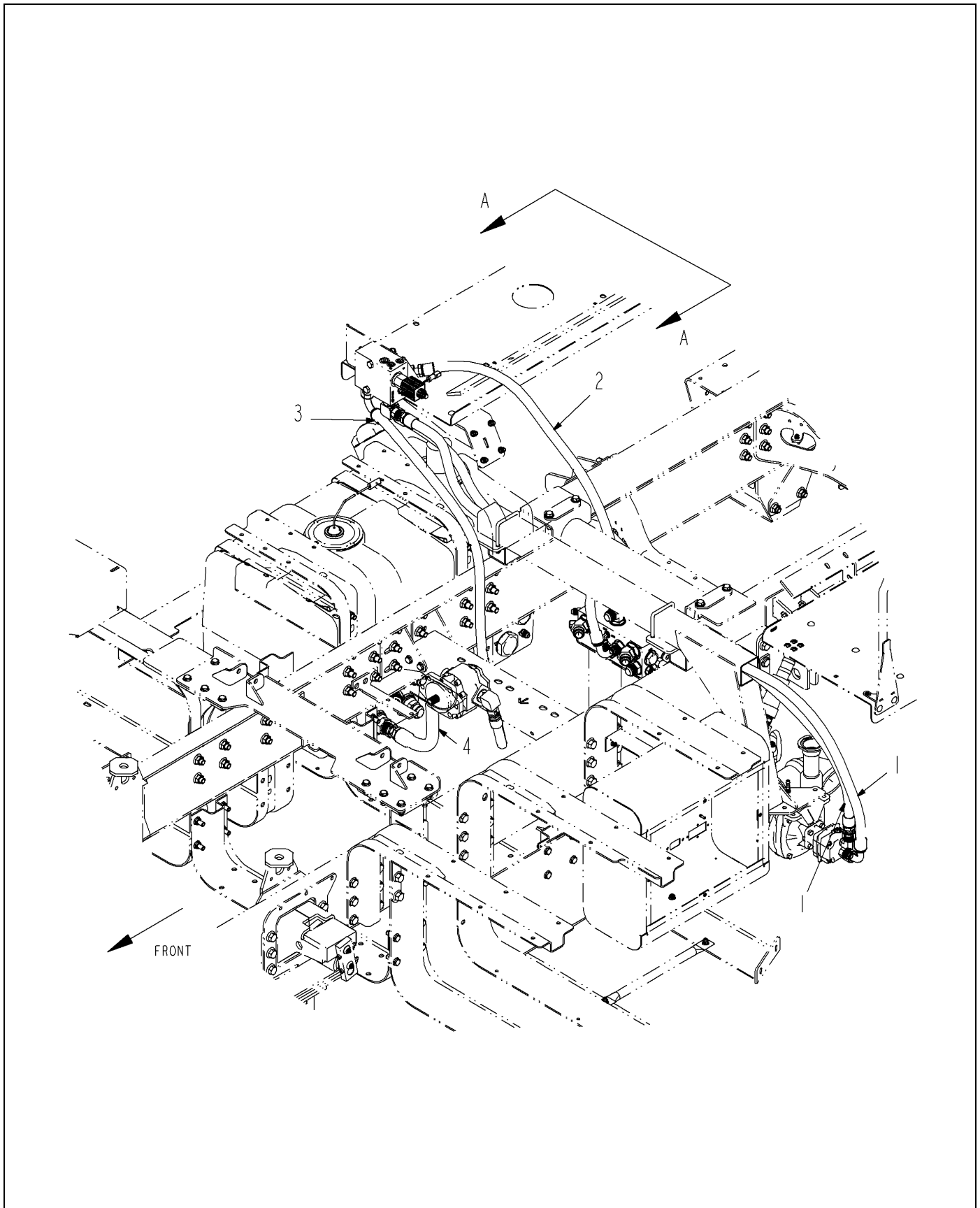
ITEM	PART #	QTY	DESCRIPTION	COMMENTS
1	AG328690	-	COVER-PUMP,B PAD	
2	AG550256	-	BOLT.50-13NCX1.25 G5 ZN HHD	
3	AG550264	-	WASHER 0.50 LK ZN REG	
4	AG714101	-	GASKET PUMP	[A]
13	AG562496	AR	TIE CABLE 15.0 .18-4.00 BLACK	
	FOOTNOTE [A]		COVER PLATE - AG106560	



136367-01-M497-02.tif

CAP INSTL-COMBO,LIQ,10/12X4C

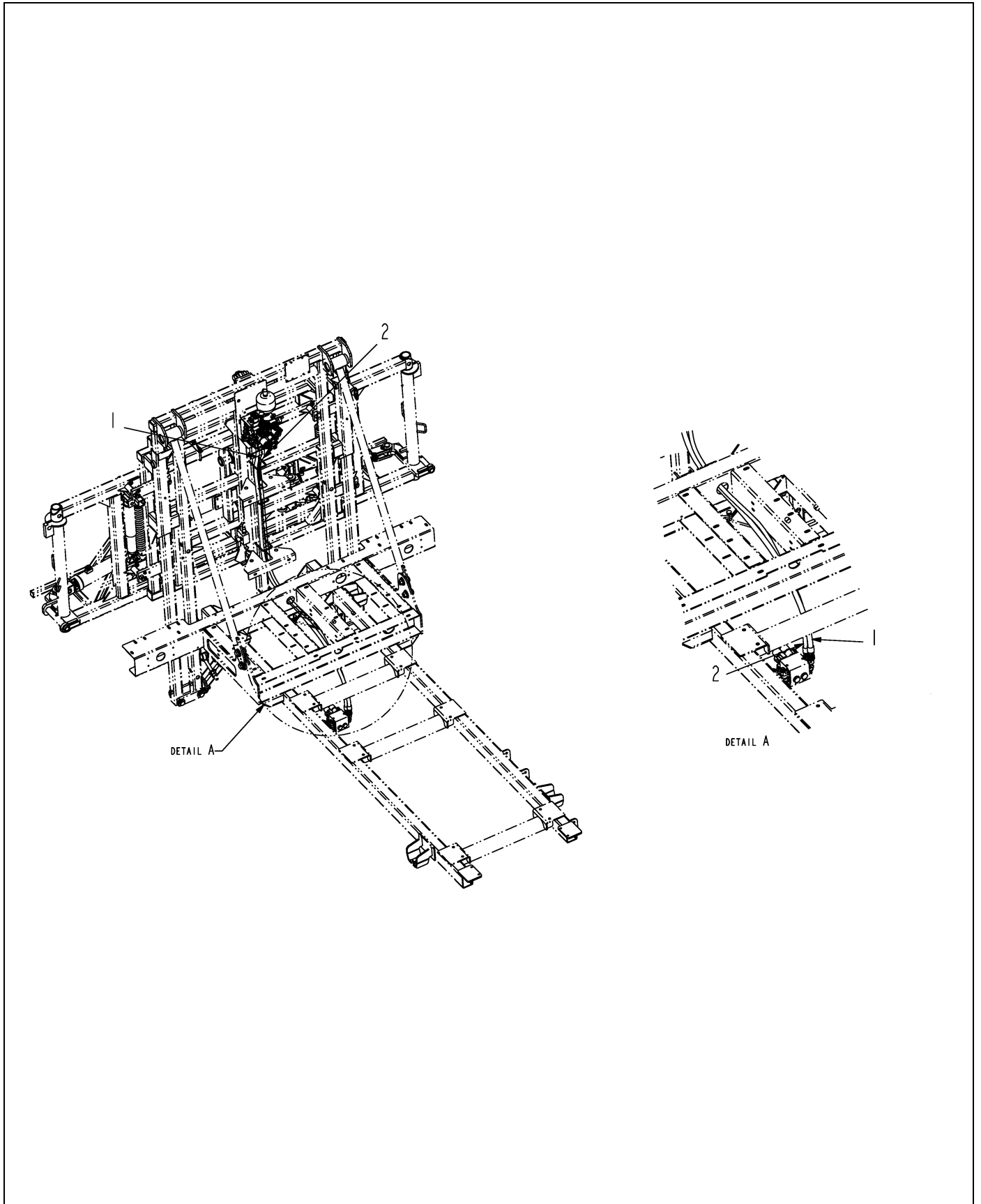
ITEM	PART #	QTY	DESCRIPTION	COMMENTS
5	AG706259	1	NUT CAP 0.75FJIC	
6	AG706263	1	PLUG -12MJ HEX	
7	AG706258	1	NUT CAP 1.00FJIC	
8	AG706262	1	PLUG -16MJ HEX	
9	AG706265	1	PLUG 0.50MJIC HEX	
9	AG561169	1	NUT CAP 0.50FJIC	
11	AG708307	1	NUT CAP 0.37 FJIC	
12	AG703308	1	ASM ROD&BRKT SUB-LINK REMSHIFT	



512861D1-01-N562-.TIF

HOSE INSTL-HYD,LIQ SYS,8/1074

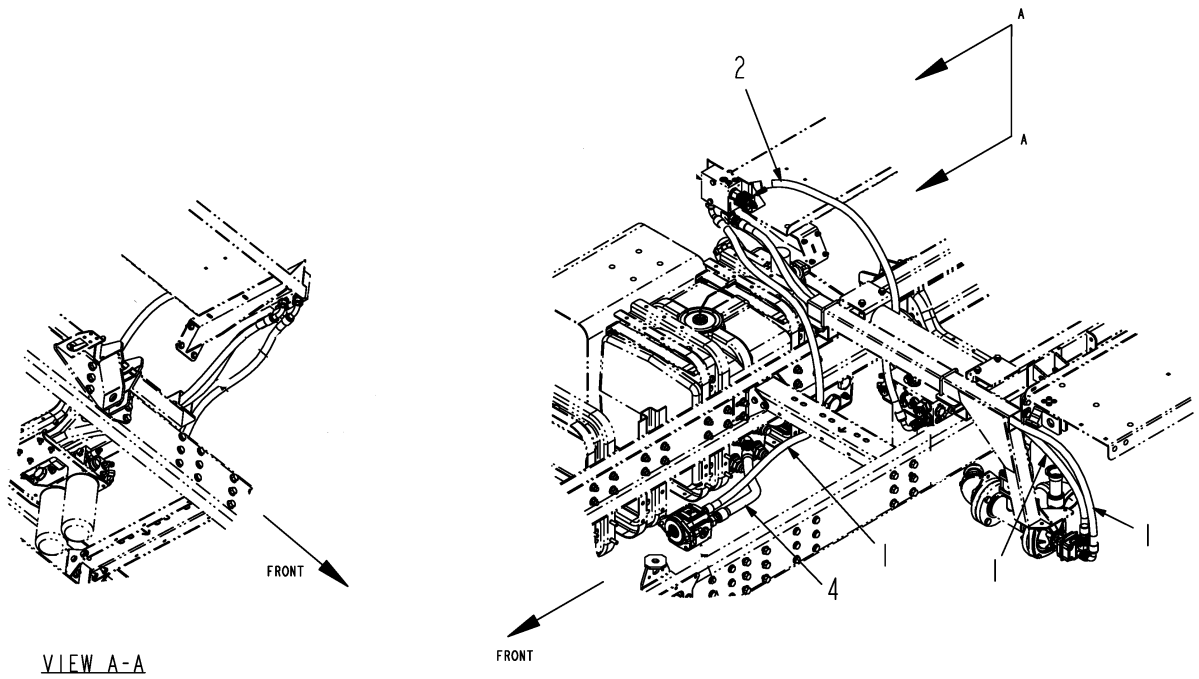
ITEM	PART #	QTY	DESCRIPTION	COMMENTS
REF	512862D1	1	KIT-HOSE,LIQ SYS,8/1074	
1	512851D1	-	HOSE ASM,-12X99 ORFS/ORFS90	
2	512852D1	-	HOSE ASM,-12X64 ORFS/ORFS90	
3	512853D1	-	HOSE ASM,-12X75 ORFS/ORFS90	
4	512855D1	-	HOSE ASM,-16X27 ORFS/ORFS90	



512863D1-01-N562-.TIF

HOSE INSTL-HYD,BM BLOCK,RG

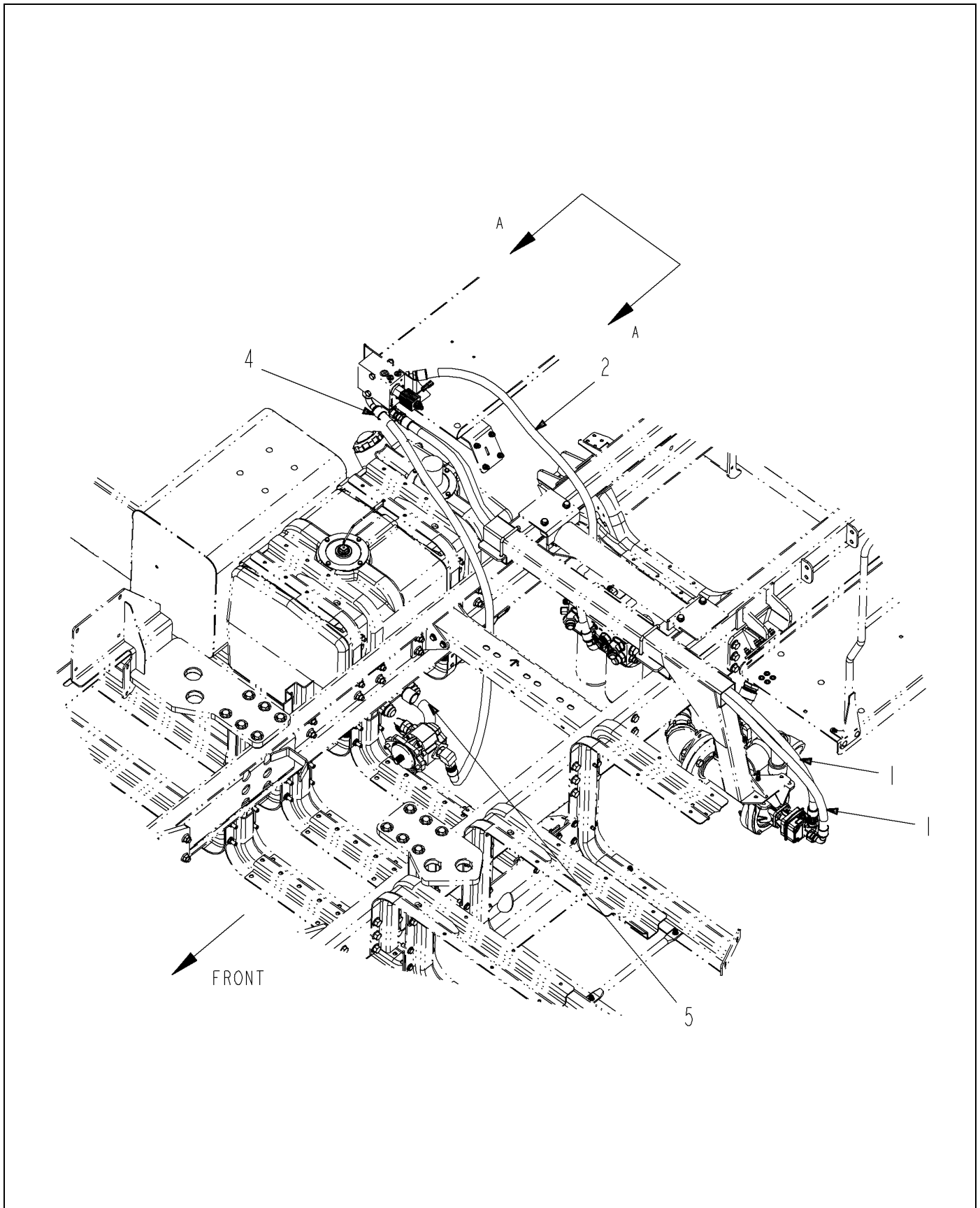
ITEM	PART #	QTY	DESCRIPTION	COMMENTS
1	512850D1	-	HOSE ASM,-8X100 ORFS/ORFS	
2	512854D1	-	HOSE ASM,-6X100 ORFS/ORFS	



513012D1-01-N562-.TIF

HOSE INSTL-HYD,LIQ SYS,1074C

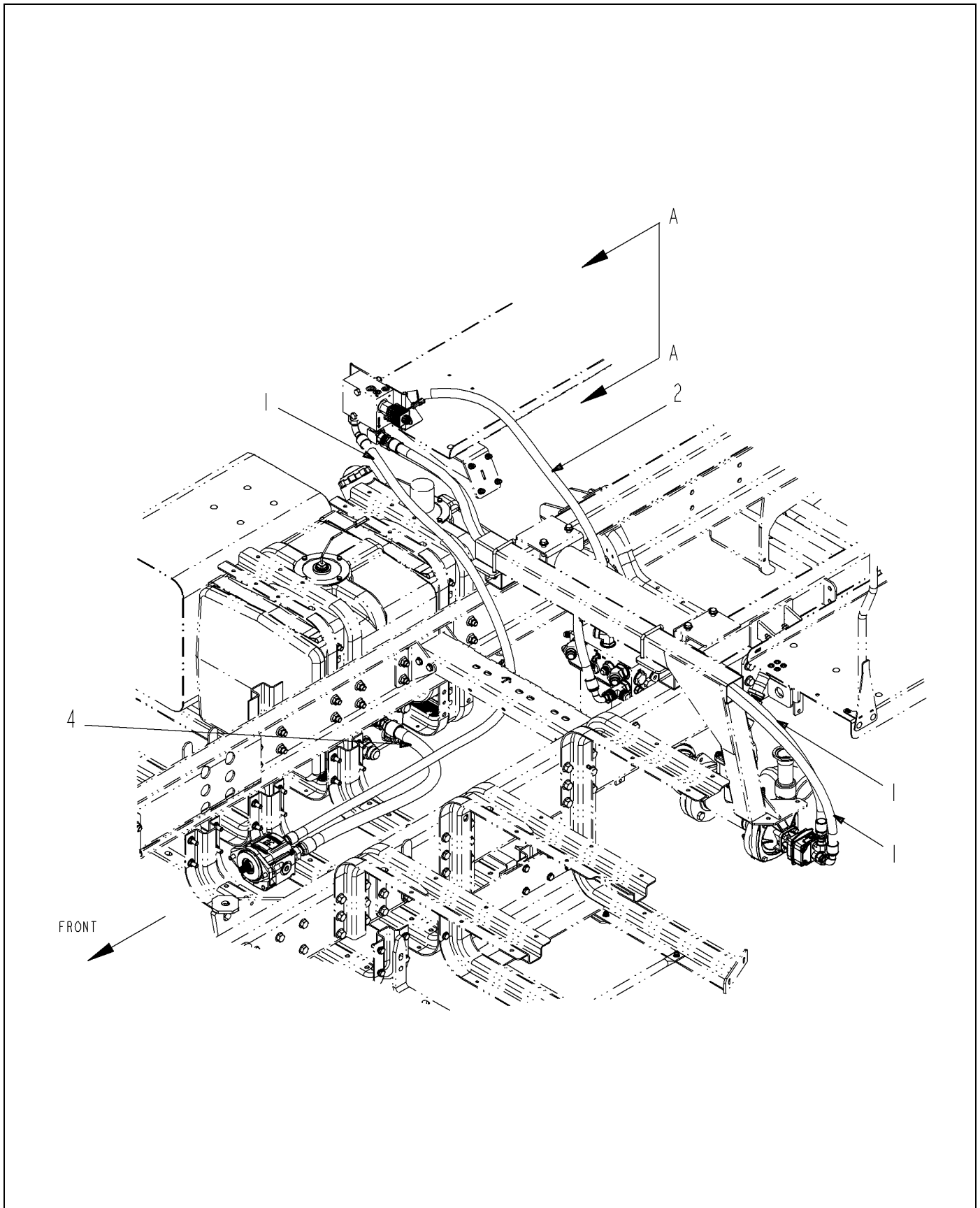
ITEM	PART #	QTY	DESCRIPTION	COMMENTS
1	512851D1	-	HOSE ASM,-12X99 ORFS/ORFS90	
2	512852D1	-	HOSE ASM,-12X64 ORFS/ORFS90	
3	513014D1	1	KIT-HOSE,LIQ SYS,1074C	
4	513015D1	-	HOSE ASM,-16X52 ORFS/ORFS	



513127D1-01-N562-.TIF

HOSE INSTL-HYD,LIQ SYS,MONGREL

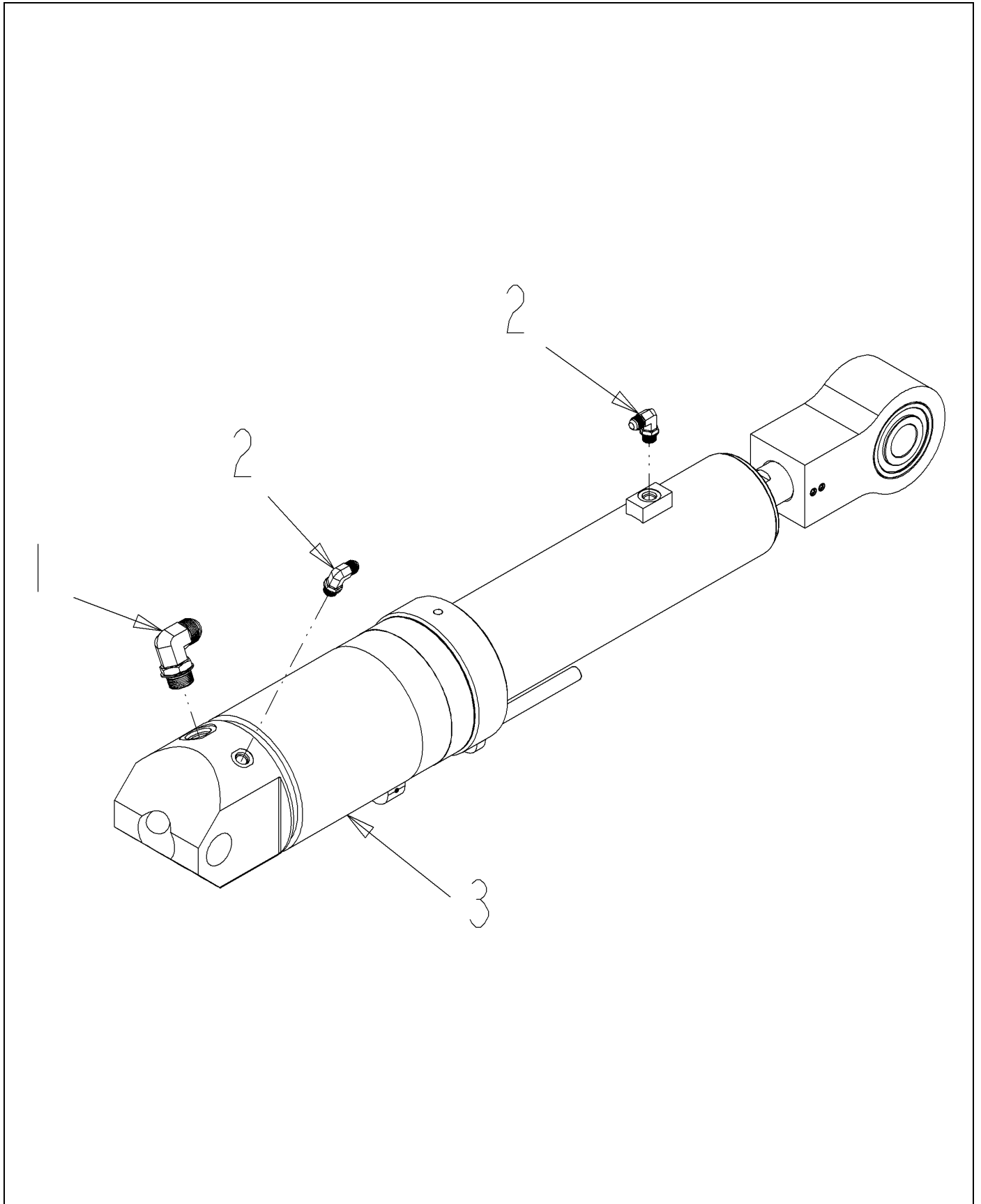
ITEM	PART #	QTY	DESCRIPTION	COMMENTS
REF	513128D1	1	KIT-HOSE,LIQ SYS,SS	
1	512851D1	-	HOSE ASM,-12X99 ORFS/ORFS90	
2	512852D1	-	HOSE ASM,-12X64 ORFS/ORFS90	
4	513129D1	-	HOSE ASM,-12X73 ORFS/ORFS90	
5	513130D1	-	HOSE ASM,-16X30 ORFS/ORFS90	



513151D1-01-N562-.TIF

HOSE INSTL-HYD,LIQ SYS,MONG C

ITEM	PART #	QTY	DESCRIPTION	COMMENTS
REF	513152D1	1	KIT-HOSE,LIQ SYS,SSC	
1	512851D1	-	HOSE ASM,-12X99 ORFS/ORFS90	
2	512852D1	-	HOSE ASM,-12X64 ORFS/ORFS90	
4	513153D1	-	HOSE ASM,-16X58 ORFS/ORFS	



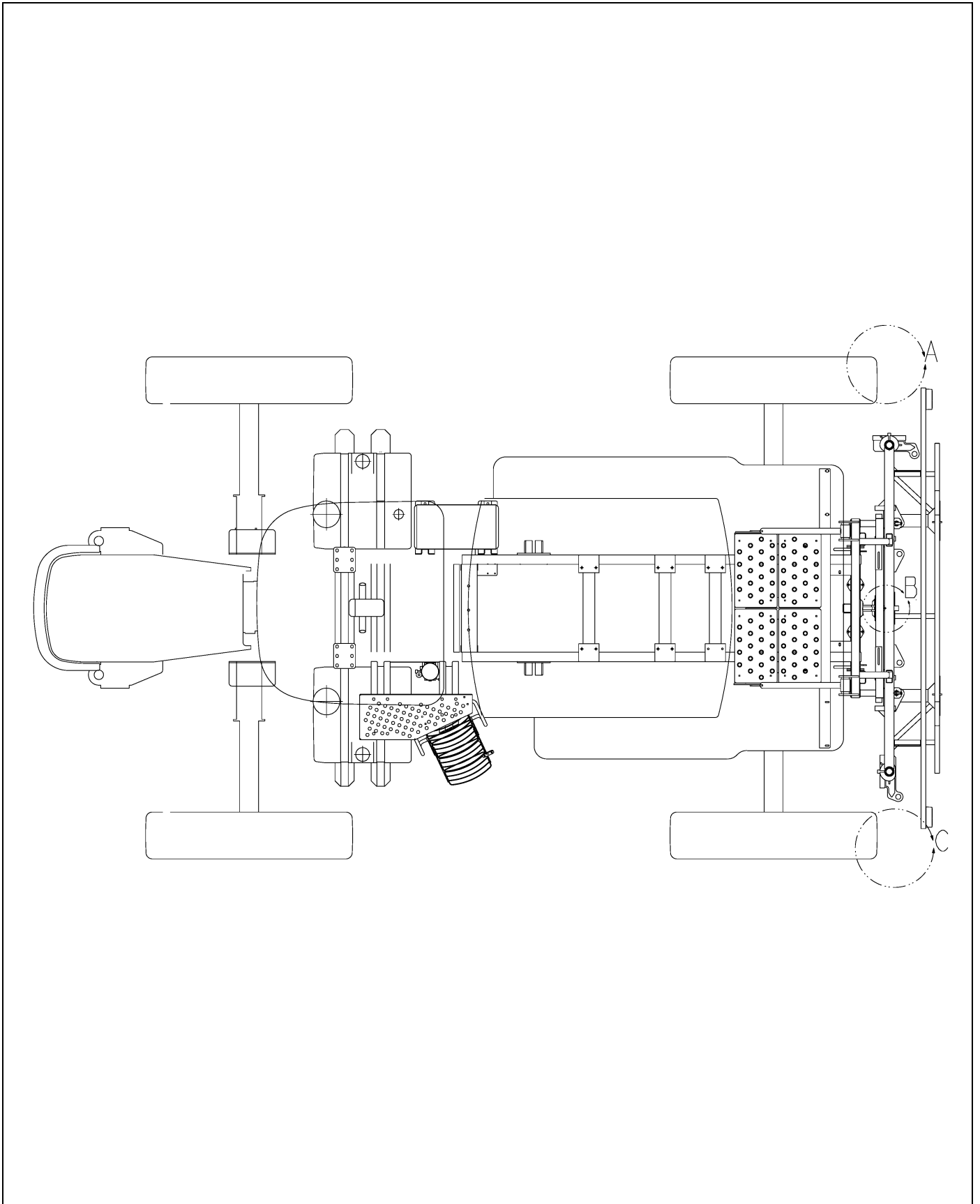
514561D1-02-R313-.TIF

CYL ASM-HYD,SWG,BM,120

ITEM	PART #	QTY	DESCRIPTION	COMMENTS
1	AG554510	1	ELBOW 90D 0.75MO-R X 0.75MJIC	[A]
2	AG562401	2	ELBOW -6MB90X-6MJ	
3	514560D1	1	CYL-HYD,4.00X21.89X1.75,BM SWG	SEE PAGE 5-33
	FOOTNOTE [A]		AG562511-O-RING	

HARN INSTL-ELEC BM SECT VLV	6-1
HARN INSTL-ELEC BM SECT VLV	6-2
ACTUATOR-000-60-M-9	6-3
HARNESS INSTL-BSO VLV,7 SECT	6-4
HARNESS INSTL-BSO VLV,7 SECT	6-5
HARN INSTL-ELEC BM SECT,90/100	6-6
HARN INSTL-ELEC BM SECT,90/100	6-7
SWITCH INSTL-BCO,8/1064	6-8
ARMREST RWK	6-9
ARMREST INSTL-ELECTRICAL	6-10
PC BOARD ASM-ARMREST	6-11
SYS INSTL-PNEU/ELEC,HV BOOM	6-12
SYS INSTL-PNEU/ELEC,HV BOOM	6-13
HARN INSTL-BM,(SYS)	6-14
HARN INSTL-BM,(SYS)	6-15
HARN INSTL-BM,(SYS)	6-16
ELEC INSTL-TLLT,LIQ,RG	6-17
LIGHT INSTL-TAIL,LED,RC LIQ	6-18
HARN INSTL-CTRL,AUTOBM,G2,SYS	6-19
HARN INSTL-CTRL,AUTOBM,G2,SYS	6-20
BRKT ASM-MTG,TAILLIGHT	6-21
SENSOR INSTL-AUTOBOOM,120FT	6-22
SNSR-ULTRASONIC,AUTOBM,LH MTG	6-23
SNSR-ULTRASONIC,AUTOBM,RH MTG	6-24
AWFL INSTL-BRKAWAY,LIQ SYS,RC	6-25
BRKT ASM-MTG,BREAKAWAY,AWFL,LH	6-26
BRKT ASM-MTG,BREAKAWAY,AWFL,RH	6-27
HARN INSTL-TLLT,WRN,LIQ(SYS)	6-28
HARN INSTL-TLLT,WRN,LIQ(SYS)	6-29
HARN INSTL-PROD CONT,RG 8/10XX	6-30
HARN INSTL-PROD CONT,RG 8/10XX	6-31
HARN INSTL-PROD CONT,RG 8/10XX	6-32
SWITCH INSTL-ER,8/1064	6-33
SWITCHBOX ASM-BOOM CTRL,8/1064	6-34
LIGHTBAR INSTL-REAR	6-35
SWITCH INSTL-SECT 6/7,8/10X4	6-36
LIGHT INSTL-TAIL,SADDLE,RC LIQ	6-37
LAMP CLUSTER REAR RH	6-38
LAMP CLUSTER REAR LH	6-39
HARN INSTL-PWR/CTRL,G2,8/1074	6-40
HARN INSTL-PWR/CTRL,G2,8/1074	6-41
HARNESS INSTL-PROD CONT,RG	6-42
HARNESS INSTL-PROD CONT,RG	6-43
HARNESS INSTL-PROD CONT,RG	6-44
OPT INSTL-ELECTRICAL,RG	6-45
OPT INSTL-ELECTRICAL,RG	6-46
ASM-PWR/GND STUD,RG	6-47
SWITCH INSTL-HV/STD	6-48
HARN INSTL-CTRL,SYS,G2	6-49
HARN INSTL-CTRL,SYS,G2	6-50
LIGHT INSTL-TAIL,LED,LIQ,120	6-51

SWITCH-INSTL,ER	6-52
HARNESS INSTL-B/M,RG	6-53
HARNESS INSTL-B/M,RG	6-54
HARNESS INSTL-B/M,RG	6-55
HARN INSTL-AFWL,LIQ,SYS	6-56
ELEC INSTL-SYS,RG,LIQ,RVN	6-57
ELEC INSTL-SYS,RG,LIQ,RVN	6-58
ELEC INSTL-SYS,RG,LIQ,RVN	6-59
ELEC INSTL-SYS,RG,LIQ,GTA	6-60
ELEC INSTL-SYS,RG,LIQ,GTA	6-61
ELEC INSTL-SYS,RG,LIQ,GTA	6-62
SYS INSTL-INJ,LOOP 1,RVN,RG	6-63
SYS INSTL-INJ,LOOP 1,RVN,RG	6-64
SYS INSTL-INJ,LOOP 2,RVN,RG	6-65
SYS INSTL-INJ,LOOP 2,RVN,RG	6-66
ELEC INSTL-SYS,RG,LIQ,FLCN	6-67
ELEC INSTL-SYS,RG,LIQ,FLCN	6-68
ELEC INSTL-SYS,RG,LIQ,FLCN	6-69
HARN INSTL-PWR/CTRL,CAB,G2	6-70
HARN INSTL-PWR/CTRL,CAB,G2	6-71
HARN INSTL-PWR/CTRL,CAB,G2	6-72
ELEC INSTL-CAB,8/1074	6-73

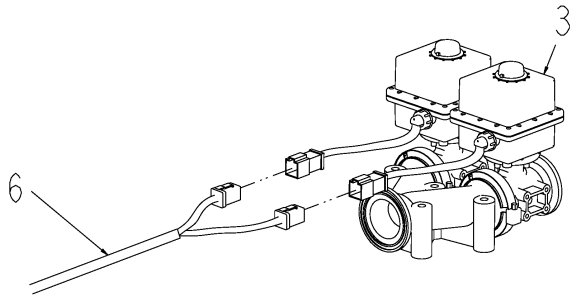


504301-02-N278-01.TIF

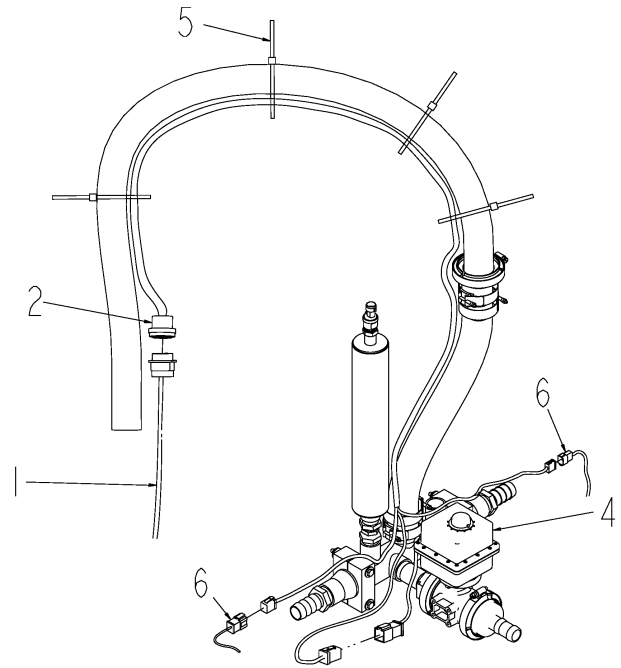
HARN INSTL-ELEC BM SECT VLV

ITEM	PART #	QTY	DESCRIPTION	COMMENTS
REF			DETAIL IMAGE, PLEASE REFER TO RELATED PAGES FOR MORE INFORMATION	

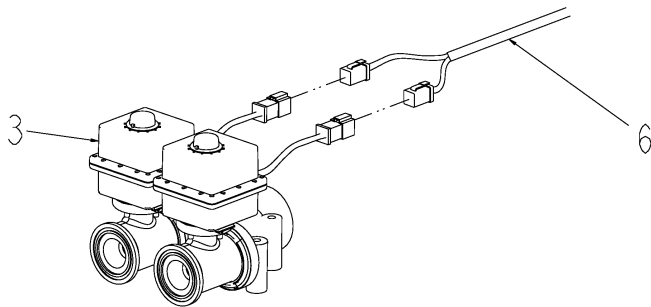
HARN INSTL-ELEC BM SECT VLV



DETAIL A



DETAIL B



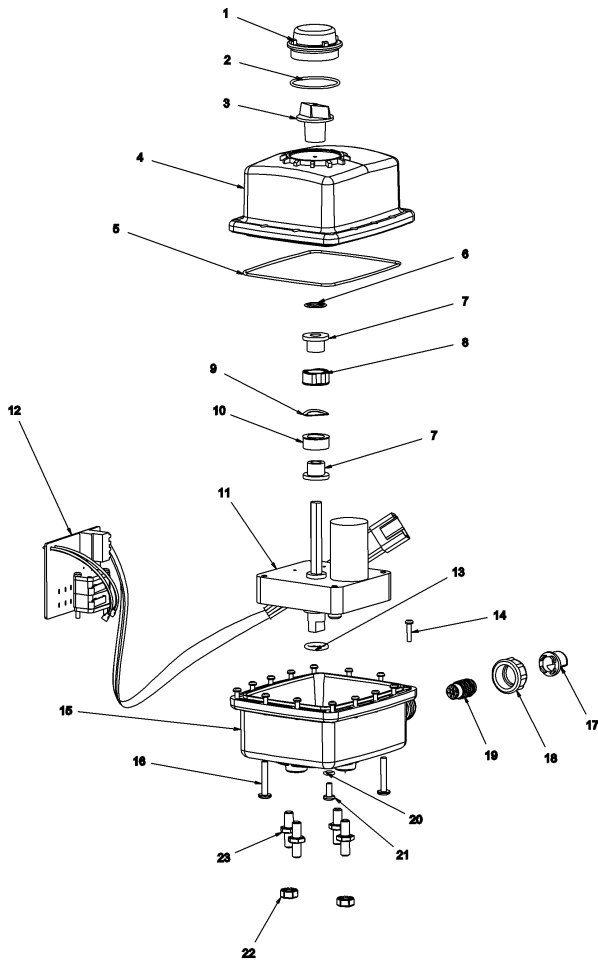
DETAIL C

504301-02-N278-02.TIF

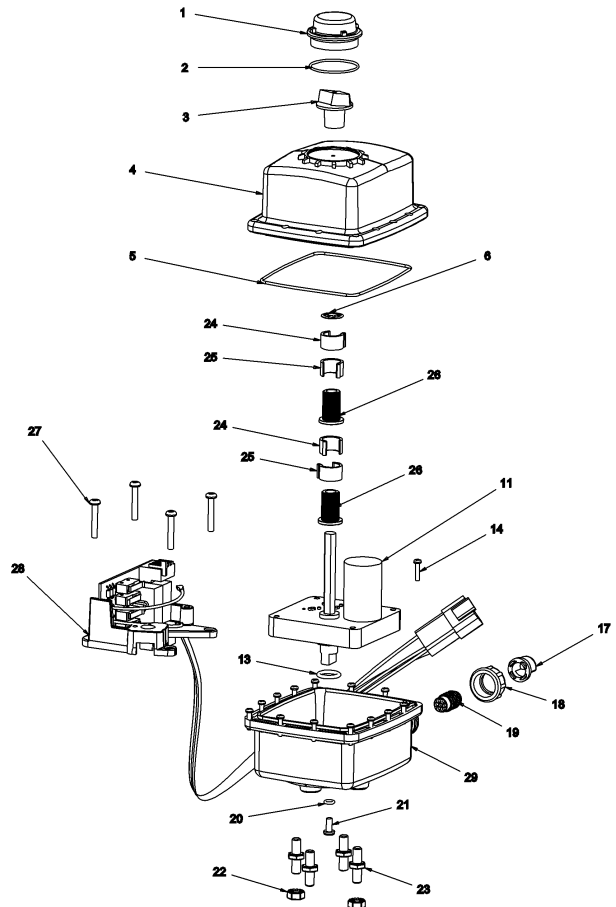
HARN INSTL-ELEC BM SECT VLV

ITEM	PART #	QTY	DESCRIPTION	COMMENTS
1	AG504293	-	HARNES-PRODUCT CONTROL(SYS)	
2	509417D1	1	HARNES-BSO VLV,5SECT,CTR	
3	AG121882	-	MANIFOLD ASM-Y,1.00FP FLG,ELEC	SEE PAGE 2-2
4	AG424522	-	MANF ASM-BOOM,W/BALL VLV,STD	SEE PAGE 2-1
5	AG554278	6	TIE CABLE 11.0 .06-3.06 BLACK	
6	509713D1	2	HARN-BSO VLV,5SECT,OUTER,SHORT	

Parts Breakdown
Units Prior to Serial #86500



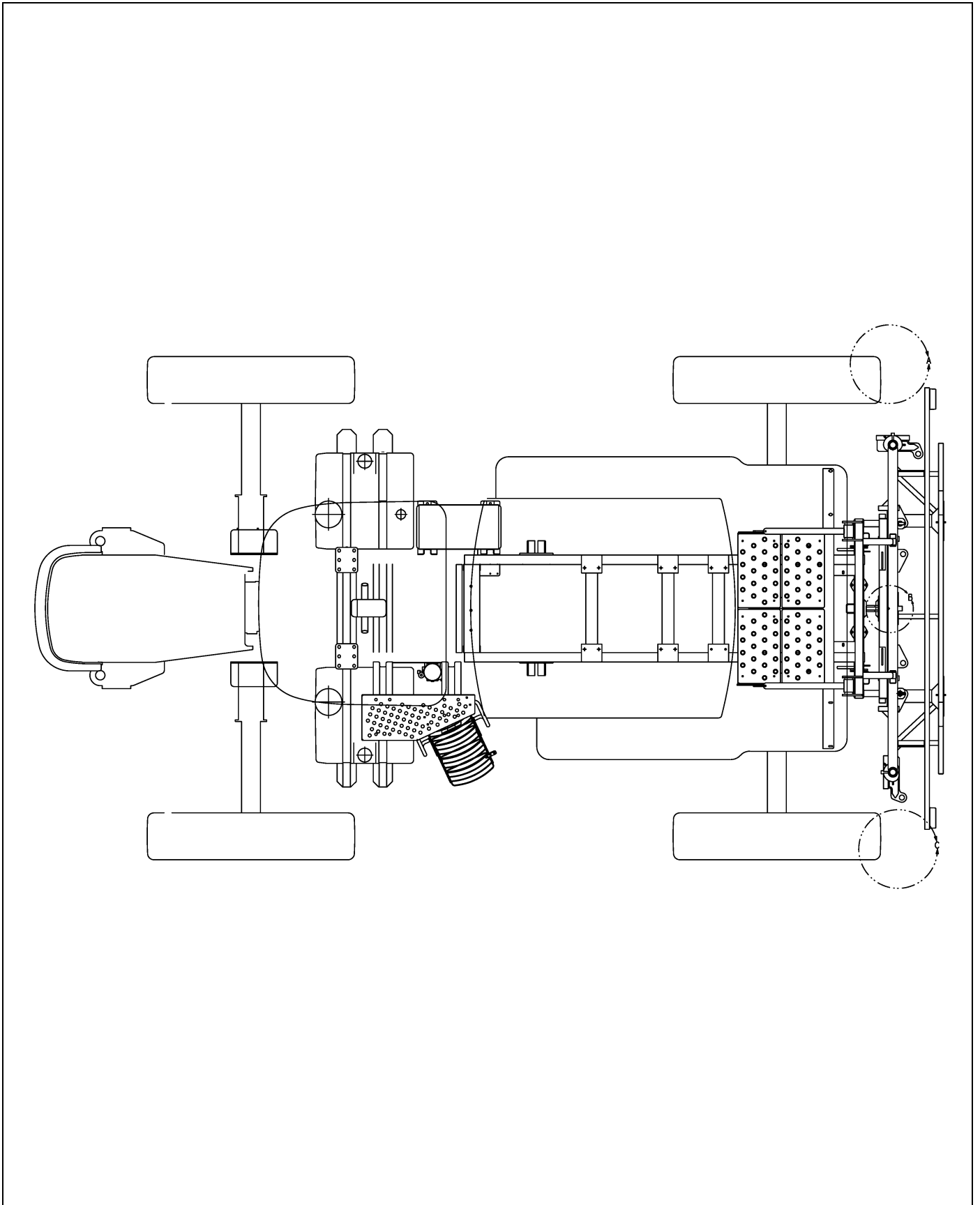
Parts Breakdown
Units After Serial #86501



121929.TIF

ACTUATOR-000-60-M-9

ITEM	PART #	QTY	DESCRIPTION	COMMENTS
1	AG131743	1	DOME, CLEAR	
2	AG139433	1	O-RING/SILICONE DOME	
3	AG131744	1	FLAG	
4	AG131745	1	DOME, LID	
5	AG139434	1	O-RING/SILICONE LID	
6	AG139435	1	RING/PUSH-ON-RETAINER	
7	AG139429	2	CAM SHOULDER	
8	AG139430	1	CAM SINGLE LOBE	
9	AG139431	1	SPRING/WASHER	
10	AG139432	1	CAM DOUBLE LOBE	
11	AG131748	1	MOTOR, GEAR ASM	
12	AG131739	1	BOARD, CIRCUIT W/CABLE	
13	AG139436	1	O-RING/MOTOR SHAFT	
14	AG139437	14	SCREW/LID	
15	AG131746	14	CASE, BOTTOM	
16	AG139449	2	SCREW/SS #10-32X3/4	
17	AG139438	1	COVER/GROMMET STRAIN RELIEF	
18	AG139439	1	NUT/GROMMET STRAIN RELIEF	
19	AG139440	1	GROMMET/WIRE	
20	AG139441	1	O-RING/PRESSURE TEST	
21	AG139442	1	SCREW/PRESSURE TEST 9-18X3/8	
22	AG121926	2	NUT-KEP"S,.50-20NC	
23	AG131747	4	STUD, MOUNTING	
24	AG139443	2	BUMP CAM LOBE,DOUBLE	
25	AG139444	2	BUMP CAM LOBE,SINGLE	
26	AG139445	2	BUMP CAM,BASE SHOULDER	
27	AG139446	4	SCREW/SS #8-32X1	
28	AG139447	1	CIRCUIT BOARD/REPLACEMENT,CAM	
29	AG139448	1	EH3 LOWER CASE,INTERNAL MOUNT	

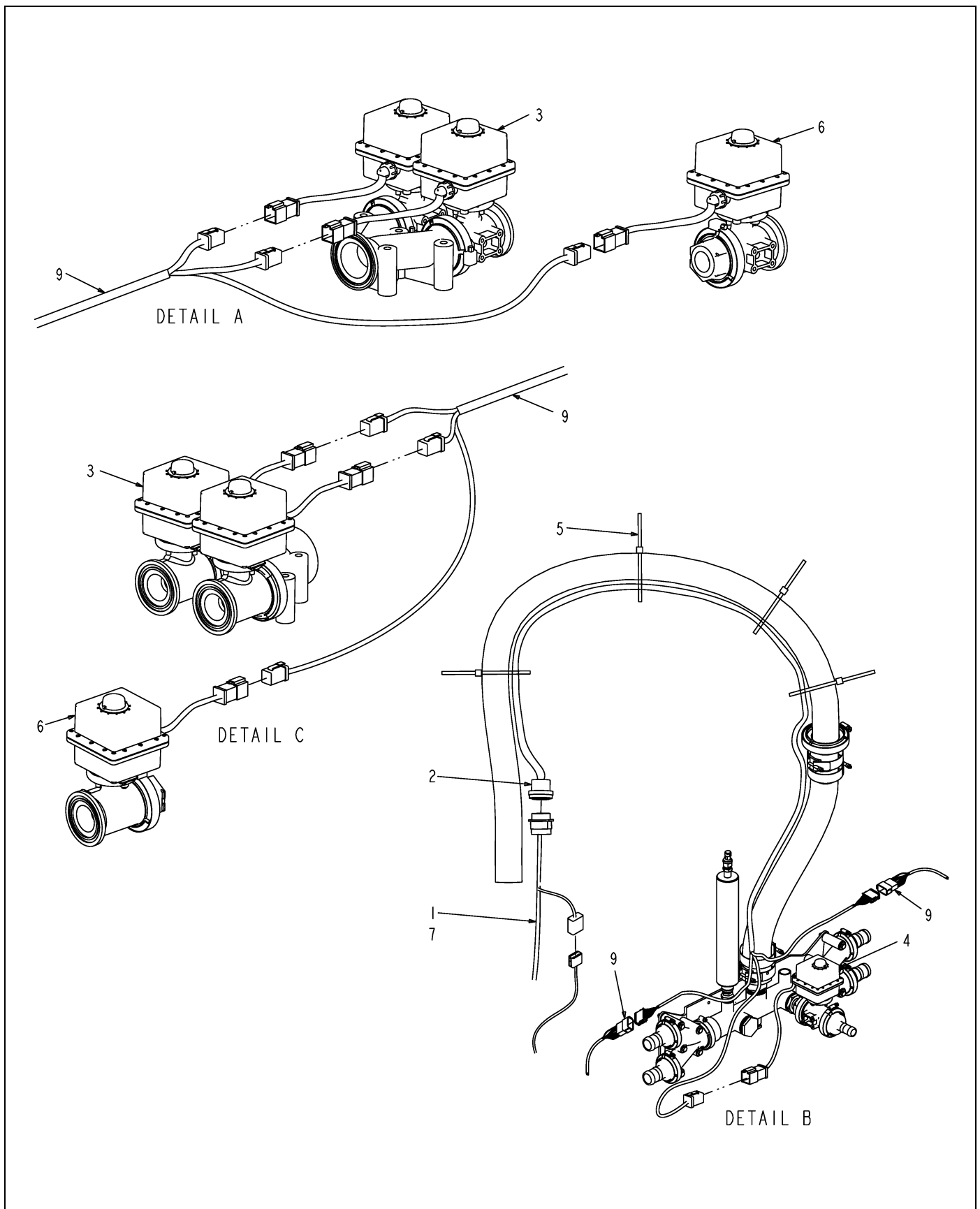


505271D1-04-N702-01.TIF

HARNESS INSTL-BSO VLV,7 SECT

ITEM	PART #	QTY	DESCRIPTION	COMMENTS
REF			DETAIL IMAGE, PLEASE REFER TO RELATED PAGES FOR MORE INFORMATION	

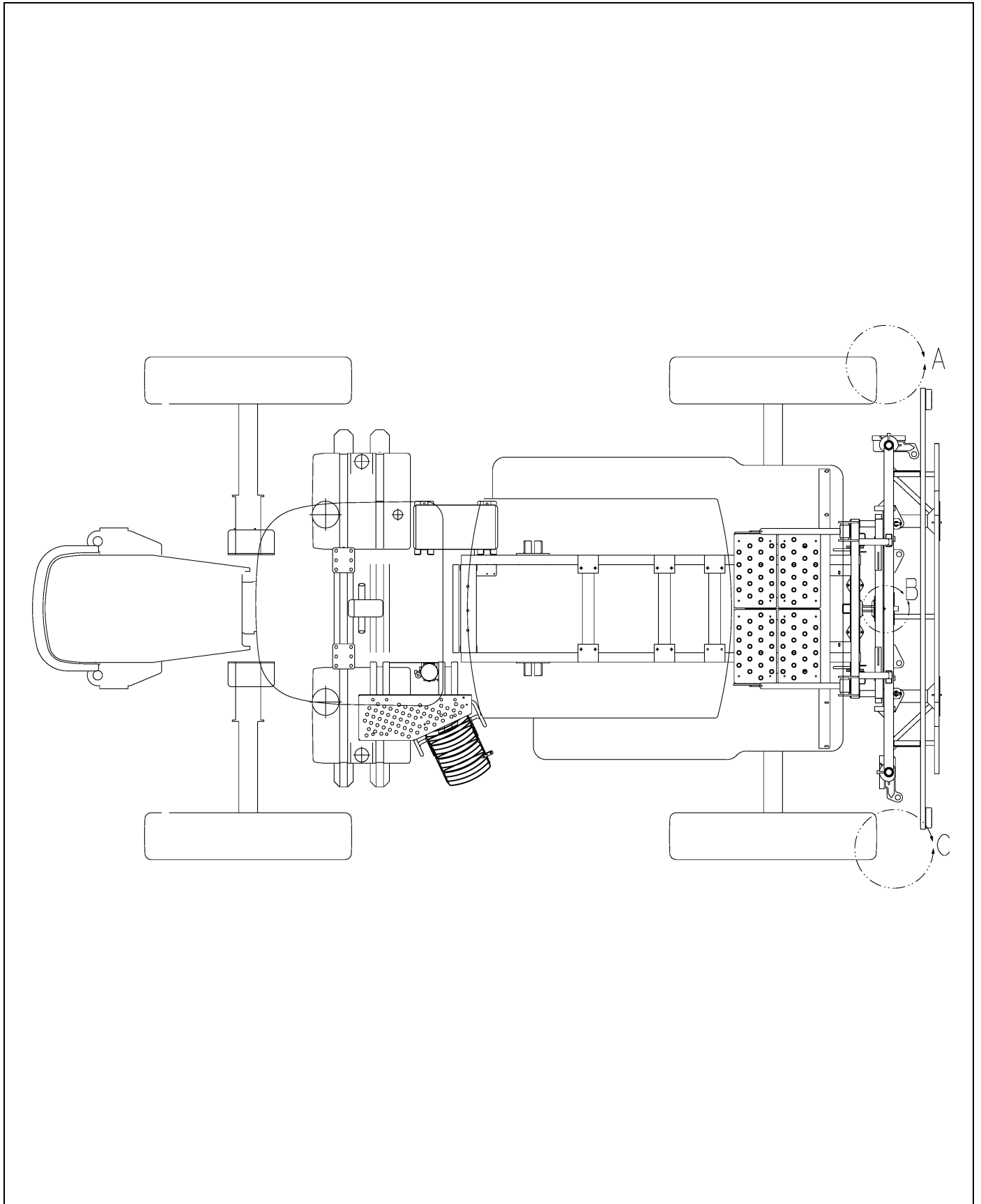
HARNESS INSTL-BSO VLV,7 SECT



505271D1-04-N704-02.TIF

HARNESS INSTL-BSO VLV,7 SECT

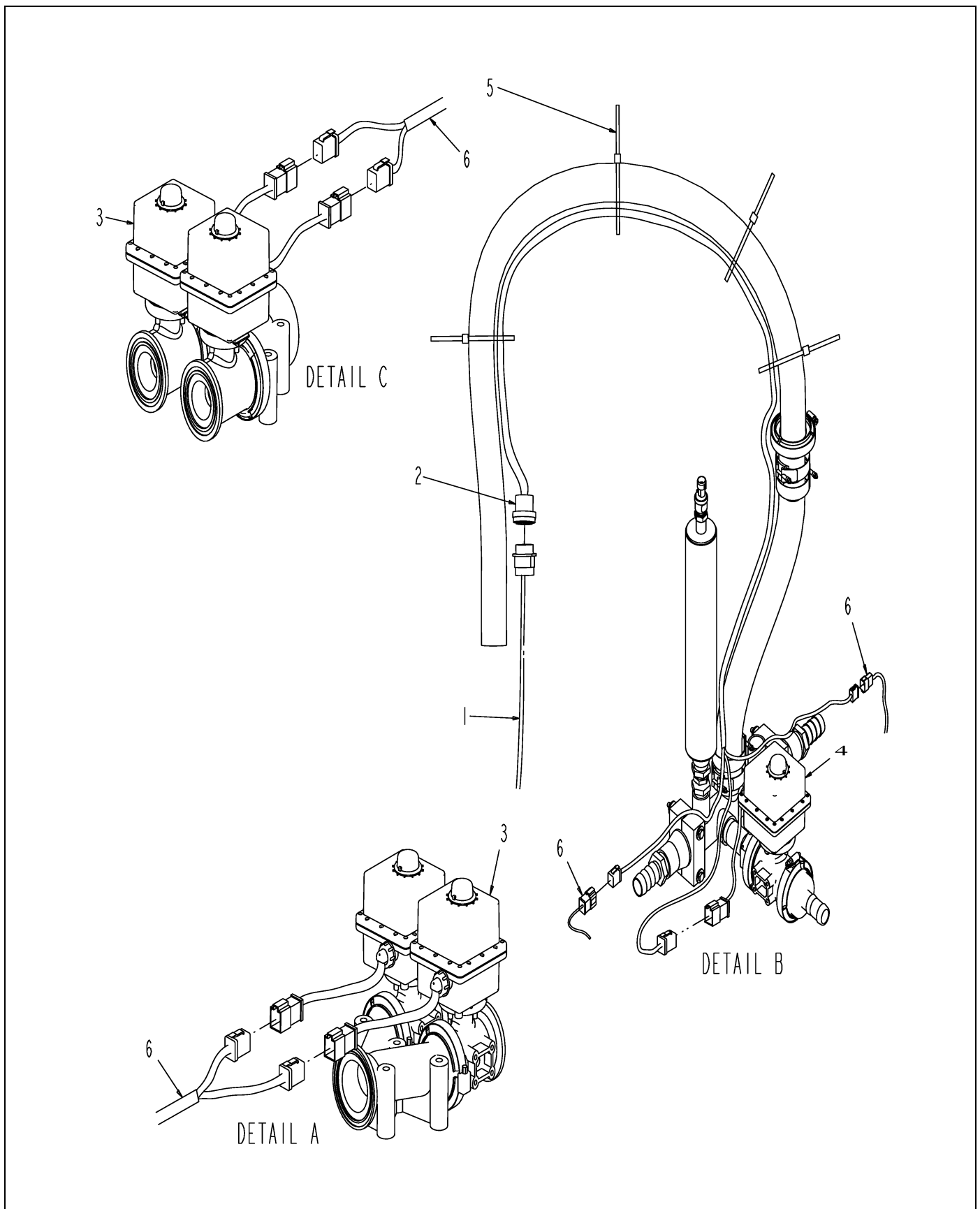
ITEM	PART #	QTY	DESCRIPTION	COMMENTS
1	505110D1	-	HARNESS-PROD CONT.RG	
2	509415D1	1	HARNESS-BSO VLV,7SECT,CTR	
3	AG121882	-	MANIFOLD ASM-Y,1.00FP FLG,ELEC	SEE PAGE 2-2
4	AG424522	-	MANF ASM-BOOM,W/BALL VLV,STD	SEE PAGE 2-1
5	AG554278	6	TIE CABLE 11.0 .06-3.06 BLACK	
6	AG121883	-	VALVE-BALL,1.00FP FLGXNPT,ELEC	SEE PAGE 4-3
7	AG504293	-	HARNESS-PRODUCT CONTROL(SYS)	
9	509416D1	2	HARNESS-BSO VLV,7SECT,OUTER	



122591-02-N278-01.TIF

HARN INSTL-ELEC BM SECT,90/100

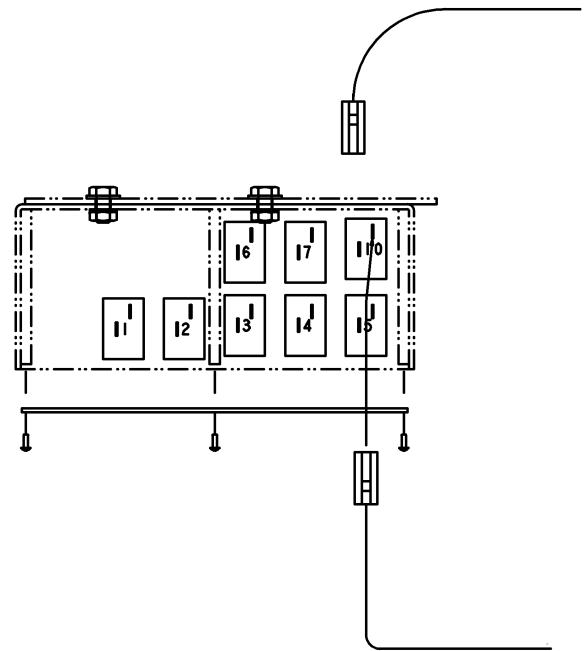
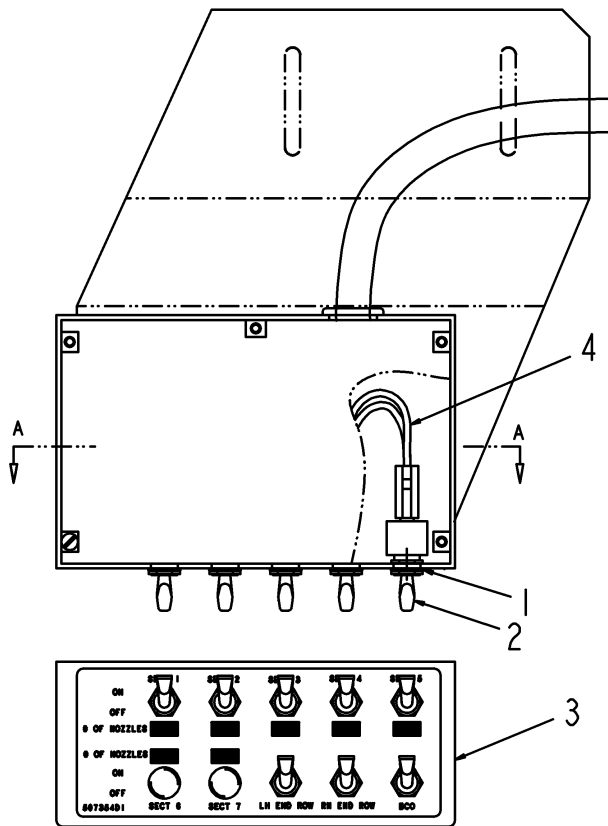
ITEM	PART #	QTY	DESCRIPTION	COMMENTS
REF			DETAIL IMAGE, PLEASE REFER TO RELATED PAGES FOR MORE INFORMATION	



122591-02-N278-02.TIF

HARN INSTL-ELEC BM SECT,90/100

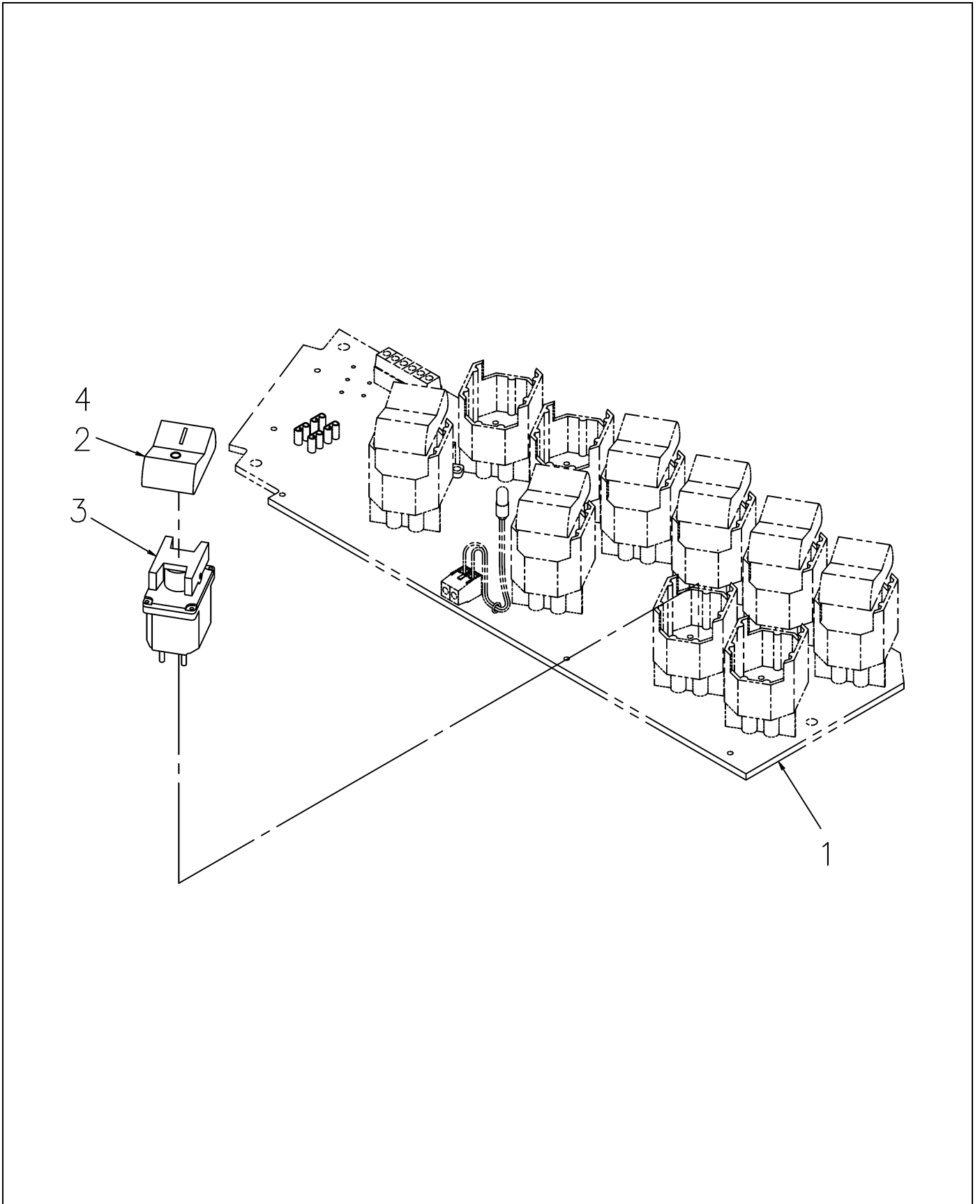
ITEM	PART #	QTY	DESCRIPTION	COMMENTS
1	AG504293	-	HARNESS-PRODUCT CONTROL(SYS)	
2	509417D1	1	HARNESS-BSO VLV,5SECT,CTR	
3	AG121882	-	MANIFOLD ASM-Y,1.00FP FLG,ELEC	SEE PAGE 2-2
4	AG424522	-	MANF ASM-BOOM,W/BALL VLV,STD	SEE PAGE 2-1
5	AG554278	6	TIE CABLE 11.0 .06-3.06 BLACK	
6	509418D1	2	HARNESS-BSO VLV,5SECT,OUTER	



122452-02-M930.TIF

SWITCH INSTL-BCO,8/1064

ITEM	PART #	QTY	DESCRIPTION	COMMENTS
REF	AG420264	1	ARMREST RWK	SEE PAGE 6-9
1	AG520326	2	WASHER 0.47 INT TOOTH LK CD	
2	AG518707	2	SWITCH ELECT SPST BAT HANDLE	
3	AG121868	-	SWITCHBOX ASM-BOOM CTRL,8/1064	SEE PAGE 6-34
4	507356D1	-	HARN-SWITCHBOX,7SECT,8/10X4	

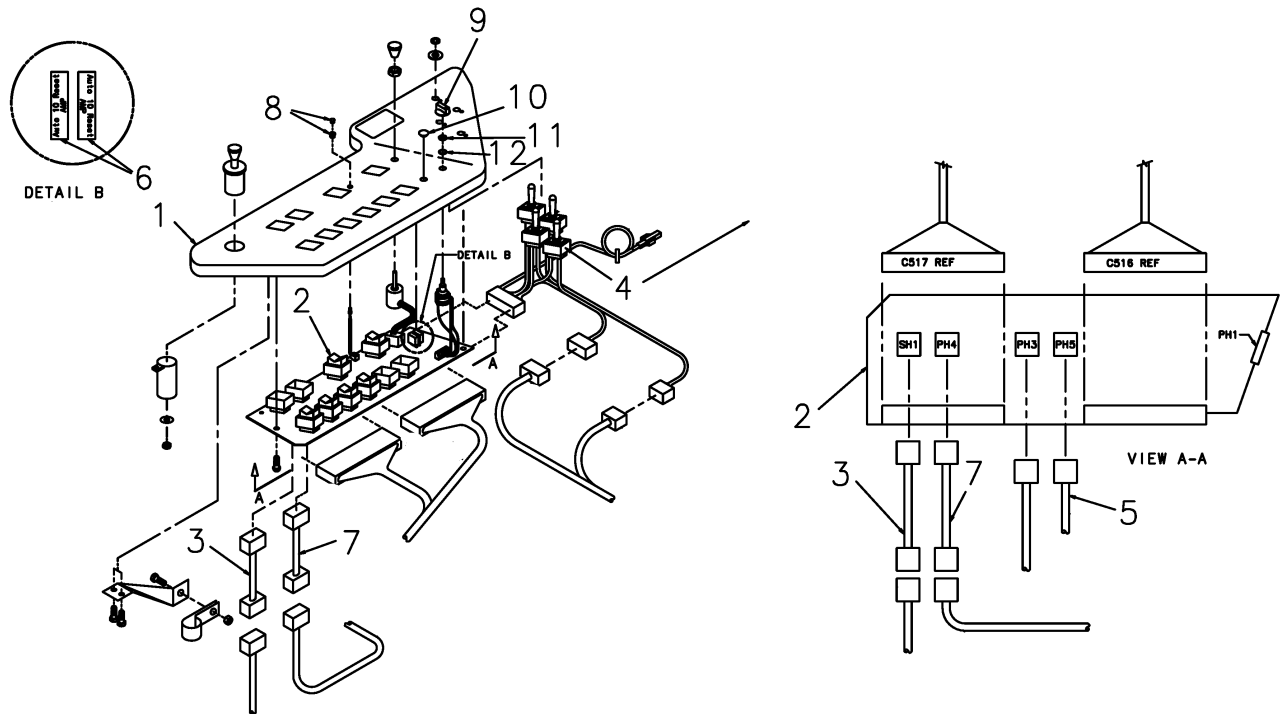


420264-C.TIF

ARMREST RWK

ITEM	PART #	QTY	DESCRIPTION	COMMENTS
1	AG420146	-	ARMREST INSTL-ELECTRICAL	SEE PAGE 6-10
2	AG518088	1	ROCKER COVER BLANK	
3	AG609555	1	SWITCH-DPDT CTR OFF MOM,RKR	
4	AG108337	1	DECAL SWITCH	

ARMREST INSTL-ELECTRICAL

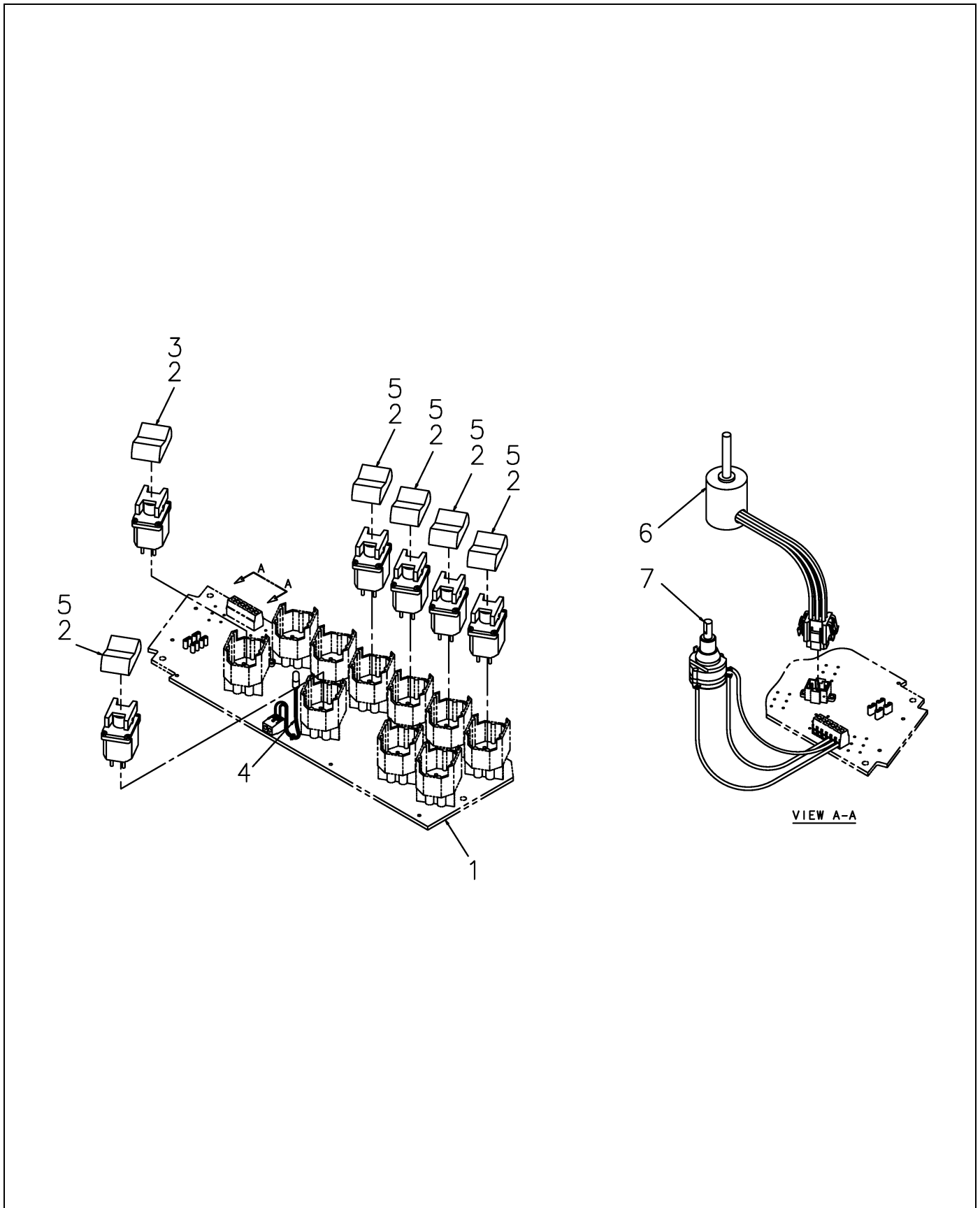


420146-B.TIF

ARMREST INSTL-ELECTRICAL

ITEM	PART #	QTY	DESCRIPTION	COMMENTS
2	AG420189	1	PC BOARD ASM-ARMREST	SEE PAGE 6-11
3	AG322563	1	HARNESS-EXTENSION	
4	AG420185	1	HARNESS-TRACK ADJUST	
5	AG322712	1	HARNESS-RADAR & SWITCH BOX PWR	
6	AG520296	2	CIRCUIT BREAKER-10A CYCLING	
7	AG322562	1	HARNESS-EXTENSION	
8	AG517421	1	LENS/BUSHING ASM	
9	AG520559	1	KNOB-POINTER	
10	AG562251	1	PLUG BLACK 0.50 PLASTIC	
11	AG520327	1	NUT-.47-32UNS,HEX,BLK	
12	AG520326	1	WASHER 0.47 INT TOOTH LK CD	

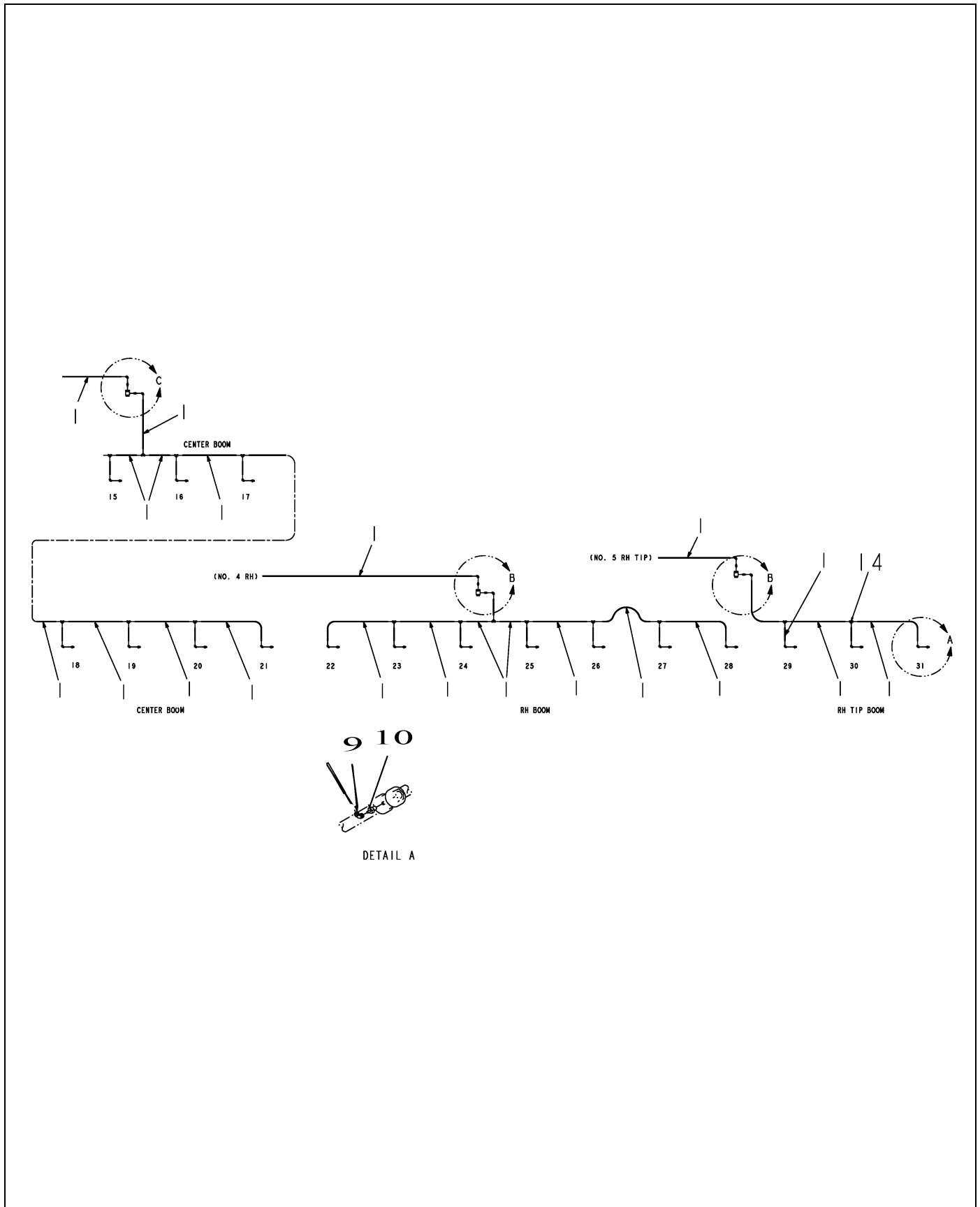
PC BOARD ASM-ARMREST



420189-A.TIF

PC BOARD ASM-ARMREST

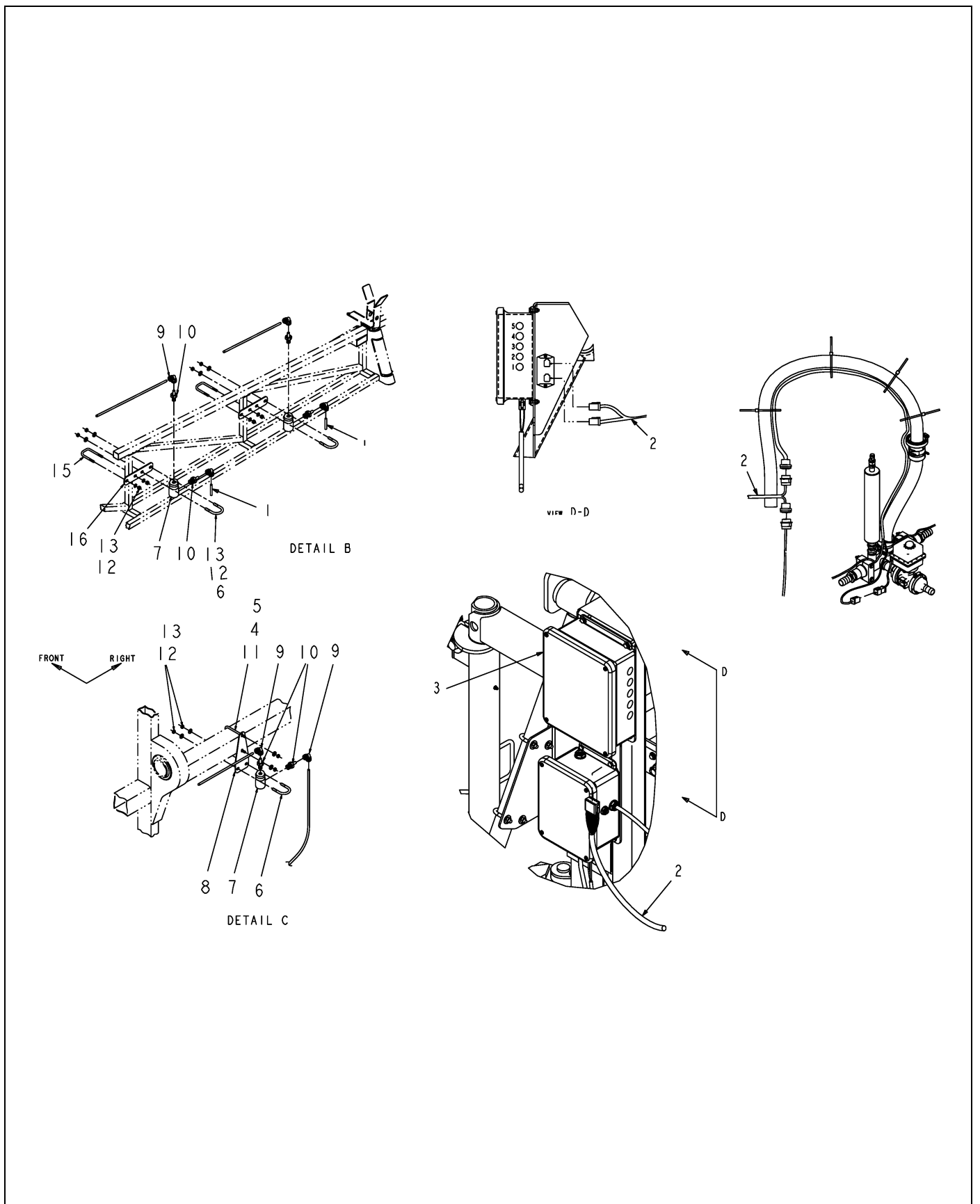
ITEM	PART #	QTY	DESCRIPTION	COMMENTS
1	AG520222	1	CIRCUIT BOARD ARMREST	
2	AG518088	-	ROCKER COVER BLANK	
3	AG609557	-	SWITCH-DPDT CTR OFF MOM,RKR	
4	AG517420	1	LAMP 12VDC TYPE F614	
5	AG609555	-	SWITCH-DPDT CTR OFF MOM,RKR	
6	AG609556	-	SWITCH ARMREST SAFETY	
7	AG235928	1	SWITCH ASM-SPEED ADJUST	
	FOOTNOTE		[520222] - BOARD ONLY	



512368D1-02-N826-01.TIF

SYS INSTL-PNEU/ELEC,HV BOOM

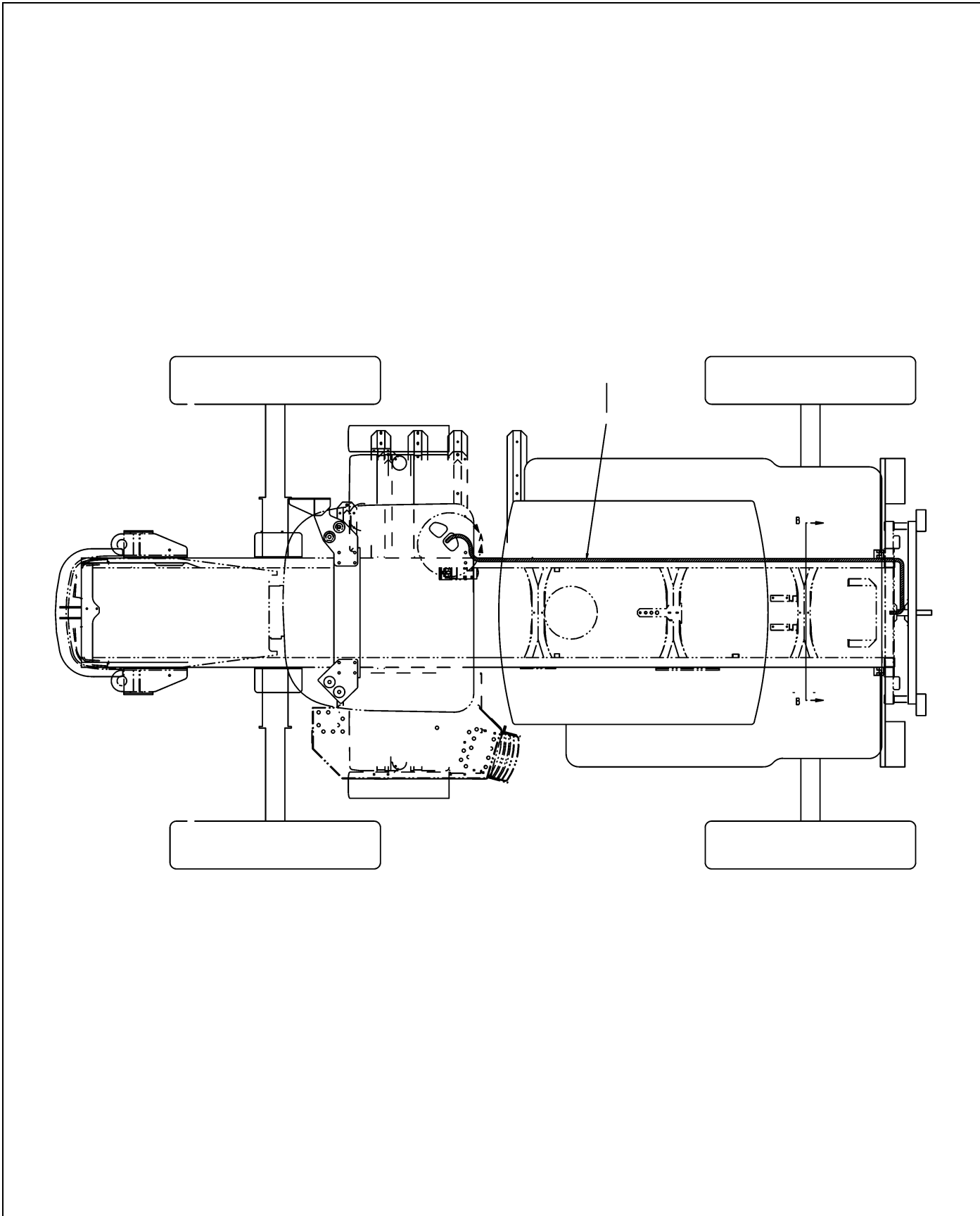
ITEM	PART #	QTY	DESCRIPTION	COMMENTS
1	AG511021	-	TUBING 0.25 OD NYLON BLACK [BULK: 257.584 FT]	
9	AG516229	41	ELBOW,UNION 0.25TUBE AUTO LCK	
10	AG516230	41	STEM MALE TUBE 0.25 X 0.25	
14	AG516206	26	TEE UNION 0.25 TUBE AUTO LOCK	



512368D1-02-N826-02.TIF

SYS INSTL-PNEU/ELEC,HV BOOM

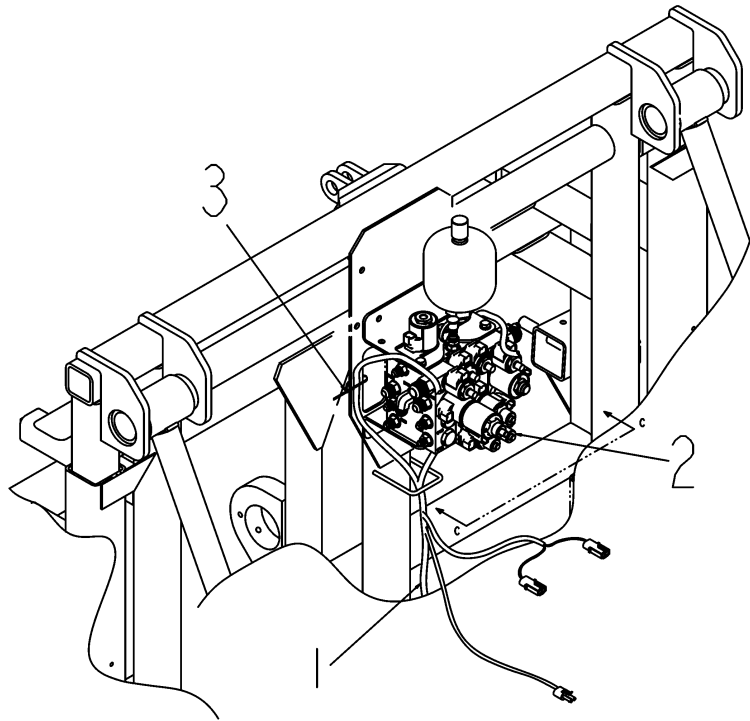
ITEM	PART #	QTY	DESCRIPTION	COMMENTS
1	AG511021	-	TUBING 0.25 OD NYLON BLACK [BULK: 257.584 FT]	
2	509394D1	1	HARNESS-ADAPTER,HIGH VOLUME	
3	512375D1	1	BOX/RELAY INSTL-AIR,HI VOLUME	SEE PAGE 7-2
4	AG601411	2	NUT 0.37-16NC HEX ZN REG NY	
5	AG562073	2	WASHER 0.37 FL SS REG TYPE-B	
6	AG516402	5	BOLT-U .31-18X1.56X 2.25RD SS	
7	AG519314	5	VALVE-QUICK EXHAUST,POLY	SEE PAGE 7-6
8	AG239873	1	BRACKET-MTG,VALVE,RELIEF,CTR	
9	AG516229	41	ELBOW,UNION 0.25TUBE AUTO LCK	
10	AG516230	41	STEM MALE TUBE 0.25 X 0.25	
11	AG234310	1	U-BOLT - 2.56 X 3.50 SQ.	
12	AG562074	18	WASHER 0.31 FL SS REG TYPE-B	
13	AG516403	18	NUT 0.31-18NC HEX SS REG NY	
15	AG231204	4	BOLT-U .31-18X1.88X2.63	
16	AG239874	4	BRACKET-MTG,VALVE,RELIEF,BOOM	



504292-C-1.TIF

HARN INSTL-BM,(SYS)

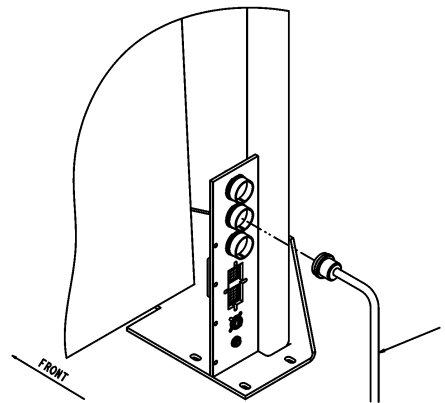
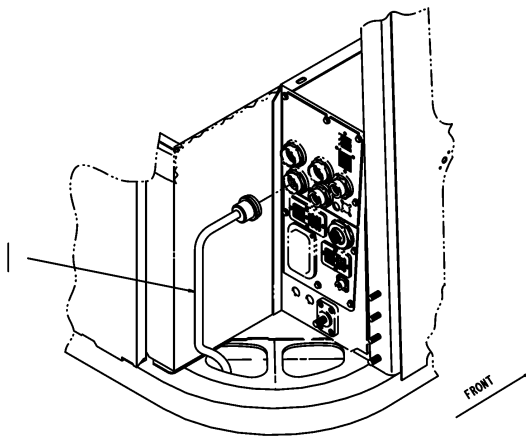
ITEM	PART #	QTY	DESCRIPTION	COMMENTS
1	AG504291	1	HARNES-BM,F/M(SYS)	



VIEW B-B

HARN INSTL-BM,(SYS)

ITEM	PART #	QTY	DESCRIPTION	COMMENTS
1	AG504291	1	HARNES-BM,F/M(SYS)	
2	AG327802	-	BLOCK ASM-HYD,BOOM	SEE PAGE 5-41
3	AG554278	2	TIE CABLE 11.0 .06-3.06 BLACK	

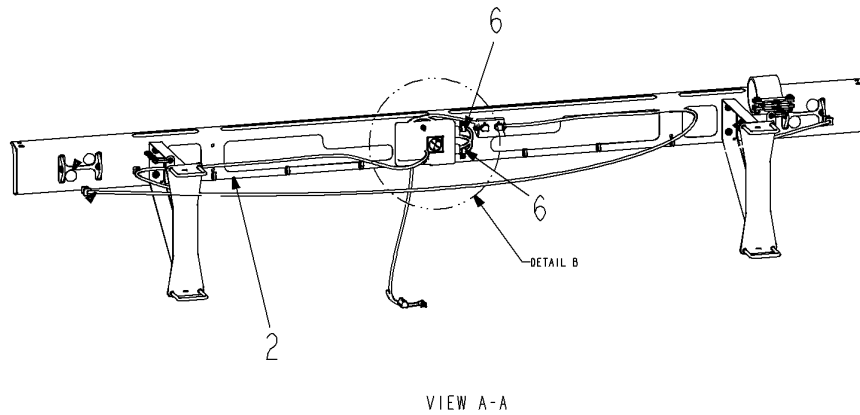
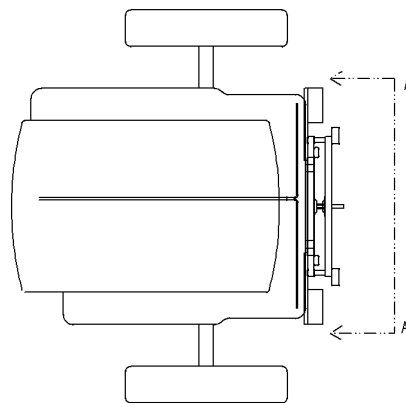
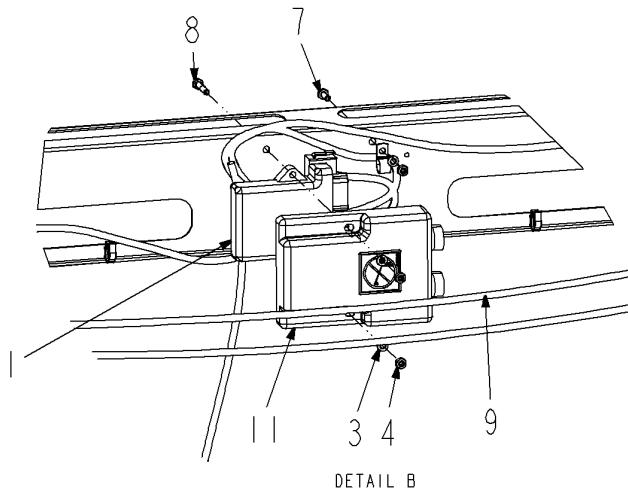


DETAIL A

504292-C-3.TIF

HARN INSTL-BM,(SYS)

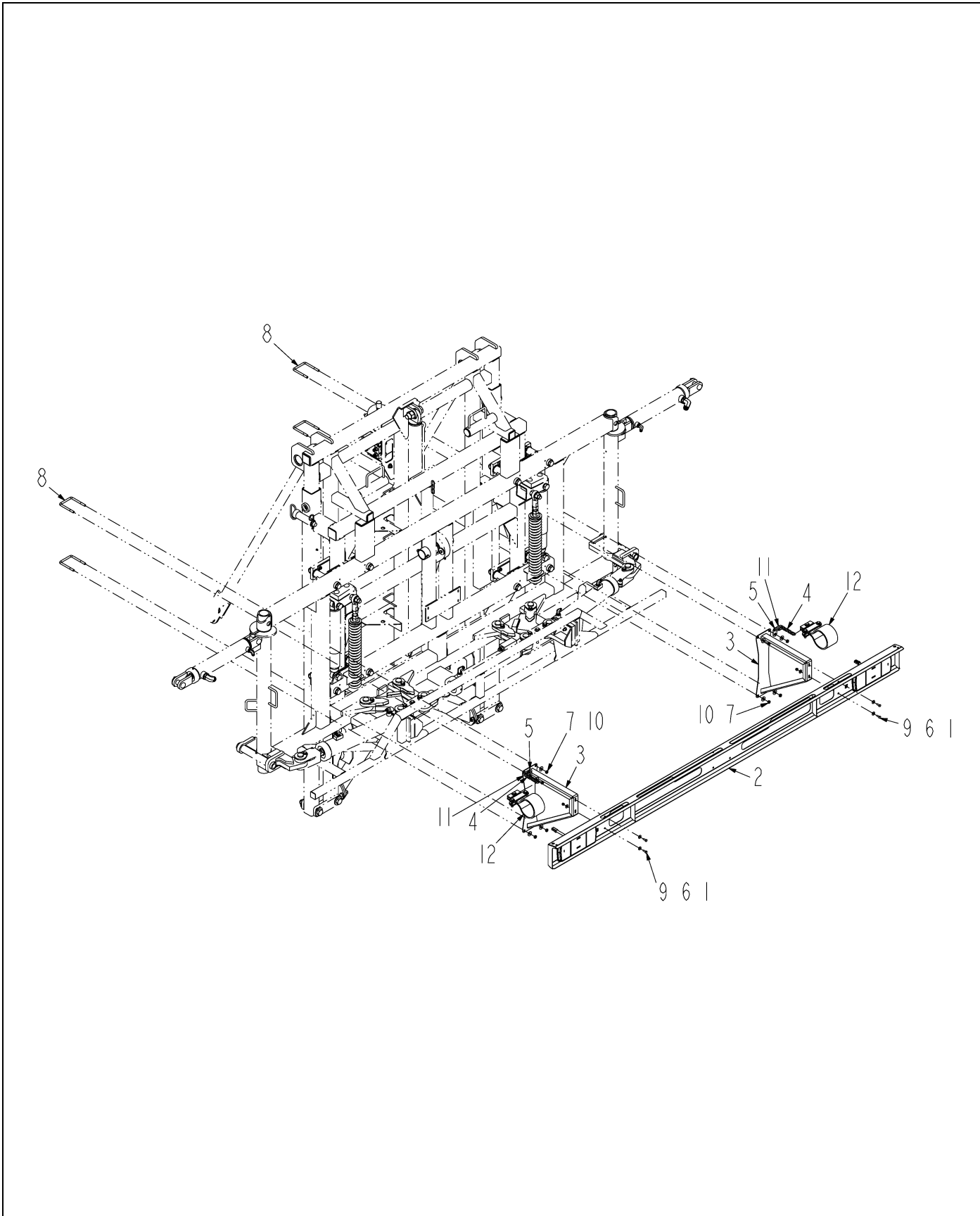
ITEM	PART #	QTY	DESCRIPTION	COMMENTS
1	AG504291	1	HARNESS-BM,F/M(SYS)	



504401D1-09-R501-.TIF

ELEC INSTL-TLLT,LIQ,RG

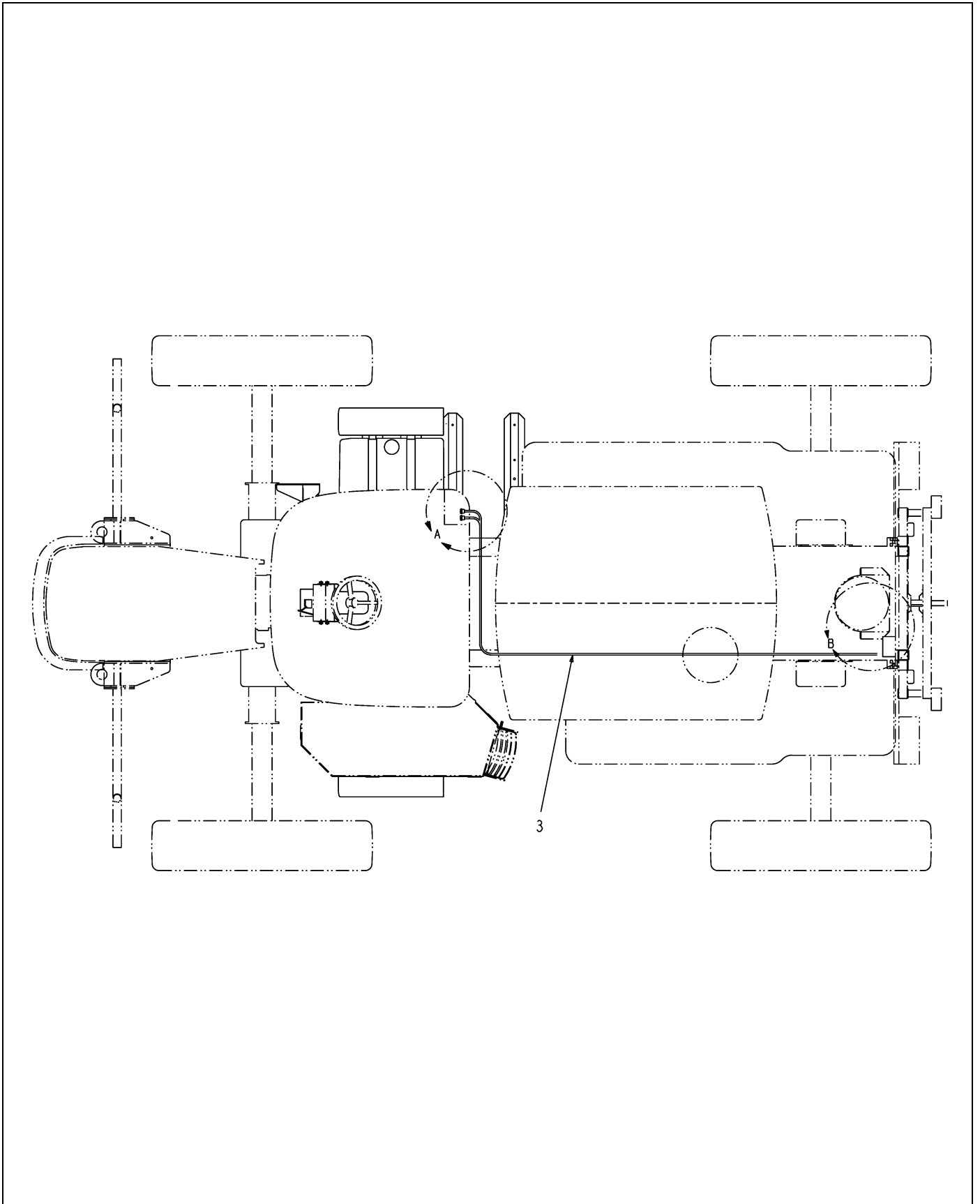
ITEM	PART #	QTY	DESCRIPTION	COMMENTS
REF	505109D1	-	HARNES-BOOM MOTION,RG	
1	516006D1	1	MODULE ASM-I/O,CAN	
2	AG134124	-	LIGHT INSTL-TAIL,LED,RC LIQ	SEE PAGE 6-18
3	AG515122	4	WASHER 0.25 LK SS REG	
4	AG515123	4	NUT 0.25-20NC HEX SS REG	
5	AG553557	AR	TIE CABLE 7.37 .06-1.37 BLACK	
6	AG561488	2	CLAMP 0.62 COATED HOSE	
7	AG562054	2	BOLT 0.25-20NCX 0.75 SS HHD	
8	AG562068	2	BOLT 0.25-20NCX 1.50 SS HHD	
9	519247D1	1	HARNES-TLLT,LED,LIQ,RG	[A]
11	520331D1	1	COVER-I/O ASM.	
	FOOTNOTE [A]		EFF. S/N A00SSLNSS81283,A1286LNS001039,A1286CNS001053	



134124-03-N259-01.TIF

LIGHT INSTL-TAIL,LED,RC LIQ

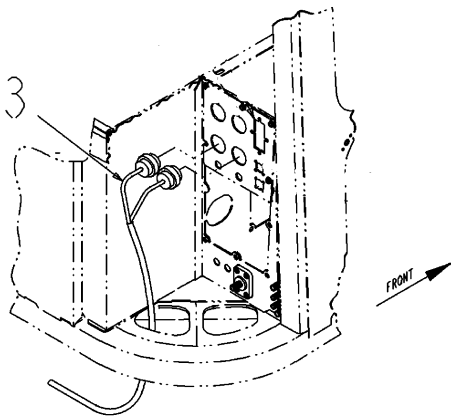
ITEM	PART #	QTY	DESCRIPTION	COMMENTS
1	AG027275	4	NUT 0.25-20NC HEX SS REG NY	
2	AG130567	1	BRKT ASM-MTG,TAILLIGHT	SEE PAGE 6-21
3	AG134119	2	SUPPORT WLDMT-MTG,BRKT,TLLT	
4	AG140050	2	CHAIN PROOF COIL 0.18	
5	AG263132	2	WASHER-DOUBLE HOLE,.50	
6	AG515121	8	WASHER 0.25 FL SS REG TYPE-B	
7	AG515140	8	NUT 0.37-16NC HEX SS HVY NY	
8	AG523297	4	BOLT-U,38-16X3.06X4.00L,SQ,SS	
9	AG562054	4	BOLT 0.25-20NCX 0.75 SS HHD	
10	AG562073	8	WASHER 0.37 FL SS REG TYPE-B	
11	6626327	2	LINK-CONNECTOR	
12	509480D1	2	HANGER ASM-HOSE	SEE PAGE 4-39



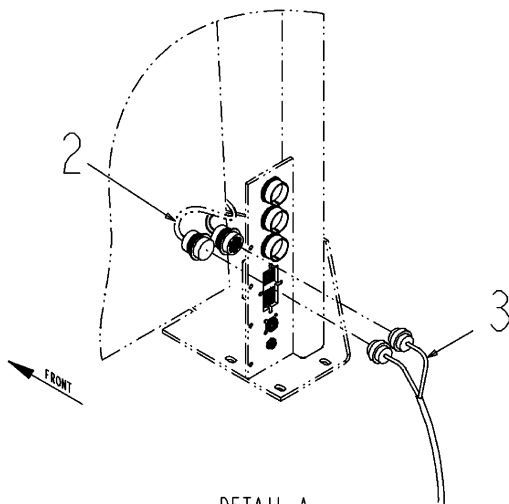
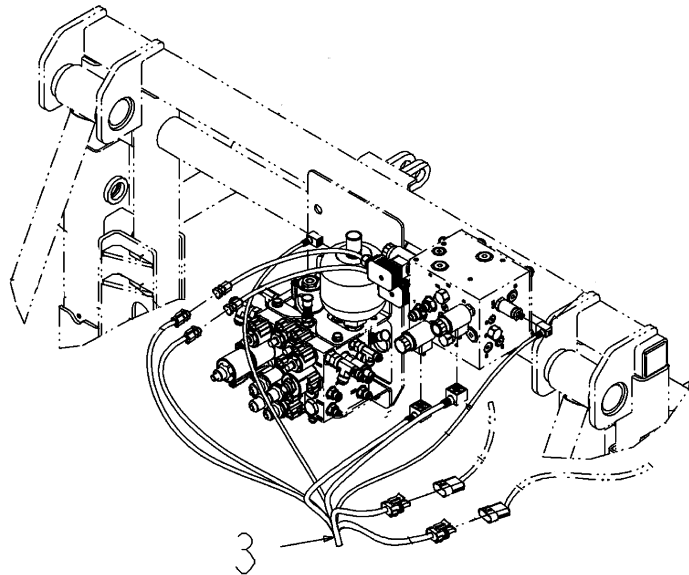
506898D1-01-M930-01.TIF

HARN INSTL-CTRL,AUTOBM,G2,SYS

ITEM	PART #	QTY	DESCRIPTION	COMMENTS
1	AG553557	AR	TIE CABLE 7.37 .06-1.37 BLACK	
3	506899D1	1	HARN-CTRL,SYS,AUTOBOOM,G2	



DETAIL A
12X4 CAB BULKHEAD



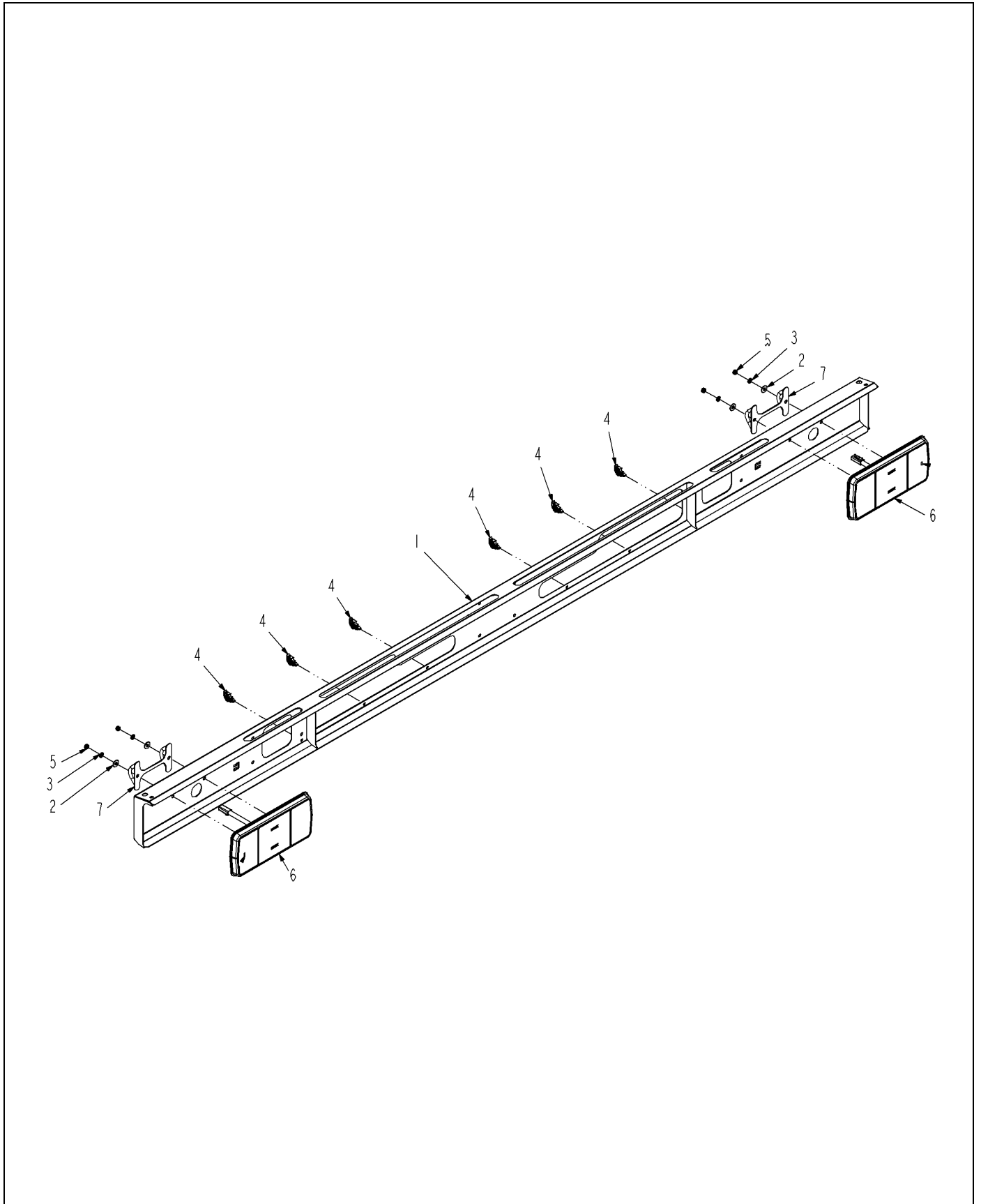
DETAIL A
6/10X4 CAB BULKHEAD

506898D1-01-M930-02.tif

HARN INSTL-CTRL,AUTOBM,G2,SYS

ITEM	PART #	QTY	DESCRIPTION	COMMENTS
2	506892D1	-	HARN-CTRL,CAB,AUTOBOOM,G2	
3	506899D1	1	HARN-CTRL,SYS,AUTOBOOM,G2	

BRKT ASM-MTG, TAILLIGHT

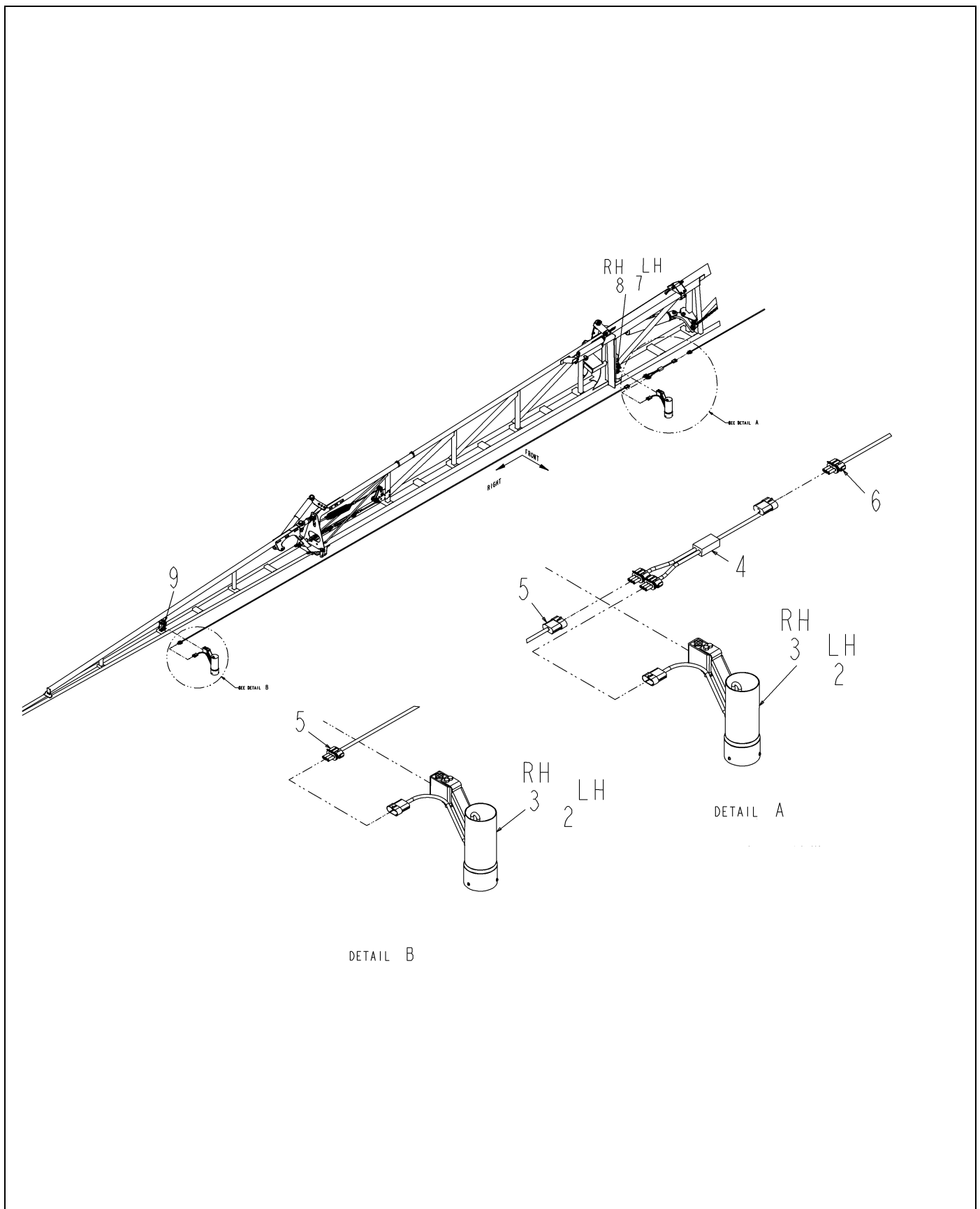


130567-04-R506-.TIF

BRKT ASM-MTG, TAILLIGHT

ITEM	PART #	QTY	DESCRIPTION	COMMENTS
1	AG134091	1	BRKT WLDMT-TLLT, RC LIQ SYS	
2	AG515121	4	WASHER 0.25 FL SS REG TYPE-B	
3	AG515122	4	WASHER 0.25 LK SS REG	
4	AG524001	6	CLIP-ROSEBUD, .350	
5	AG562793	4	NUT HEX M6 X 1.00	
6	503685D1	2	ASM-TLLT, LED, SPEAKER	
7	520864D1	2	GUARD WLDMT-BOLT, TAILLIGHT	

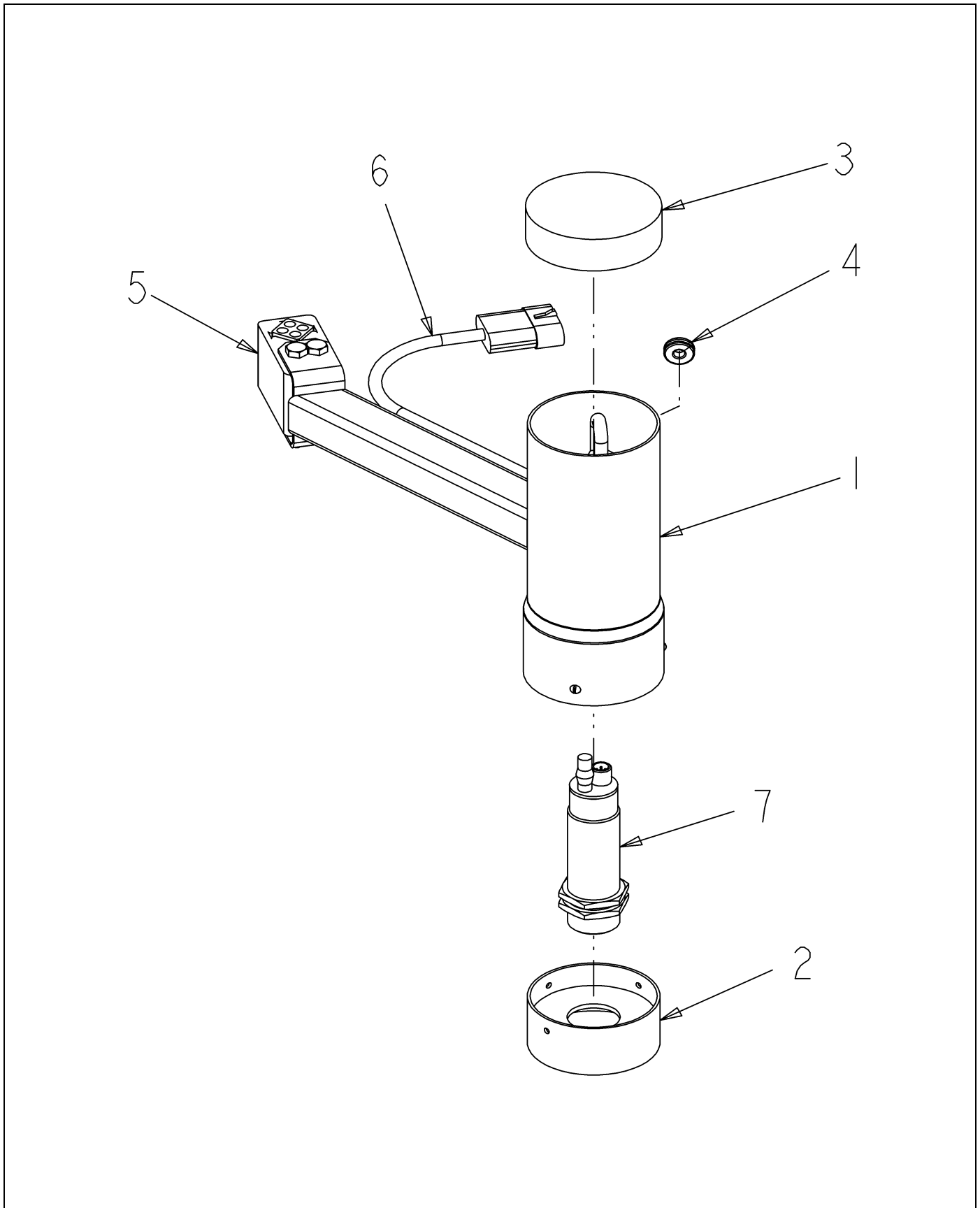
SENSOR INSTL-AUTOBOOM,120FT



506900D1-01-M930.tif

SENSOR INSTL-AUTOBOOM,120FT

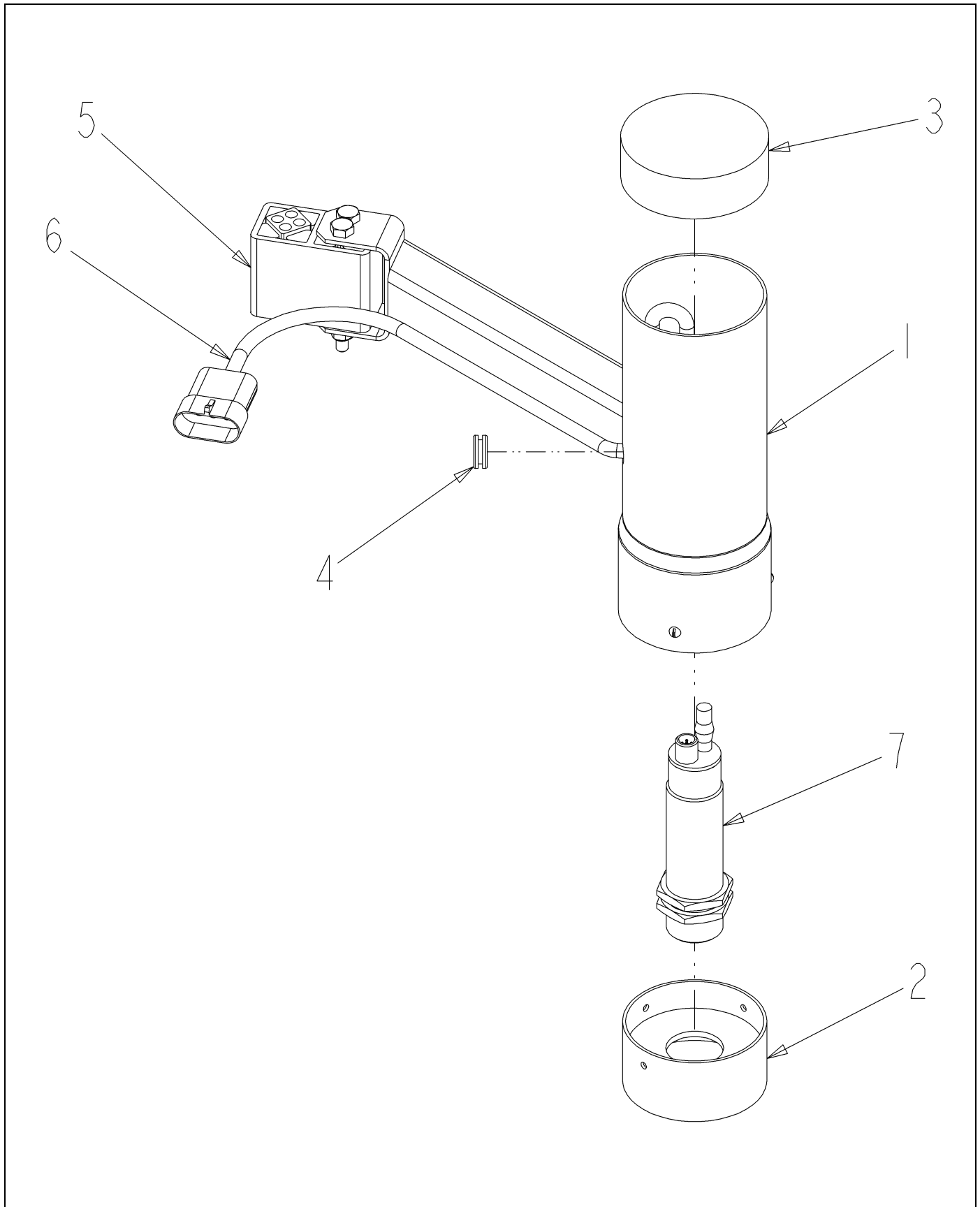
ITEM	PART #	QTY	DESCRIPTION	COMMENTS
1	AG553557	AR	TIE CABLE 7.37 .06-1.37 BLACK	
2	506901D1	2	SNSR-ULTRASONIC,AUTOBM,LH MTG	SEE PAGE 6-23
3	506902D1	2	SNSR-ULTRASONIC,AUTOBM,RH MTG	SEE PAGE 6-24
4	506903D1	2	DUPLICATOR-ULTRASONIC,AUTOBOOM	
5	506904D1	2	HARN-EXT,SNSR,ULTRASONIC,288	
6	506905D1	2	HARN-EXT,SNSR,ULTRASONIC,510	
7	507003D1	1	BRKT ASM-MTG,ANG,SNSR,LH	SEE PAGE 4-46
8	507004D1	1	BRKT ASM-MTG,ANG,SNSR,RH	SEE PAGE 4-47
9	507025D1	2	BRKT ASM-MTG,VERT,SNSR,AUTOBM	SEE PAGE 4-48



506901D1-02-M970-02.TIF

SNSR-ULTRASONIC,AUTOBM,LH MTG

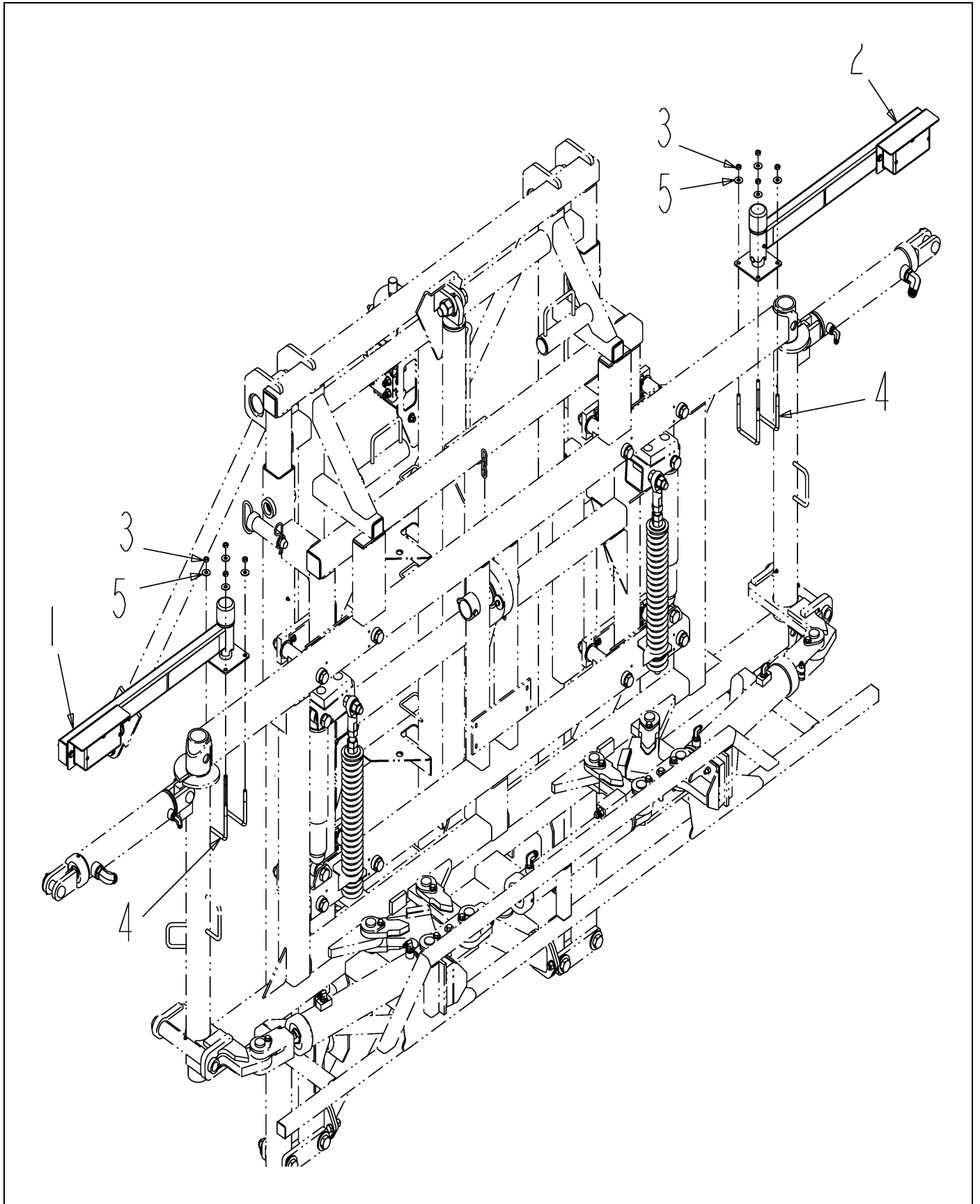
ITEM	PART #	QTY	DESCRIPTION	COMMENTS
1	507615D1	1	HOUSING WLDMT-SNSR,LH	
2	507616D1	-	BRKT WLDMT-INR,ULTRASONIC SNSR	
3	507617D1	-	CAP-MOLDED,3.00,SNSR HOUSING	
4	507618D1	-	GROMMET-ULTRASONIC SNSR	
5	507619D1	-	DAMPENER-VIBRATION SNSR	
6	507620D1	-	HARN-ULTRASONIC SNSR	
7	507621D1	-	SNSR-ULTRASONIC,AUTOBOOM	



506902D1-02-M970-02.TIF

SNSR-ULTRASONIC,AUTOBM,RH MTG

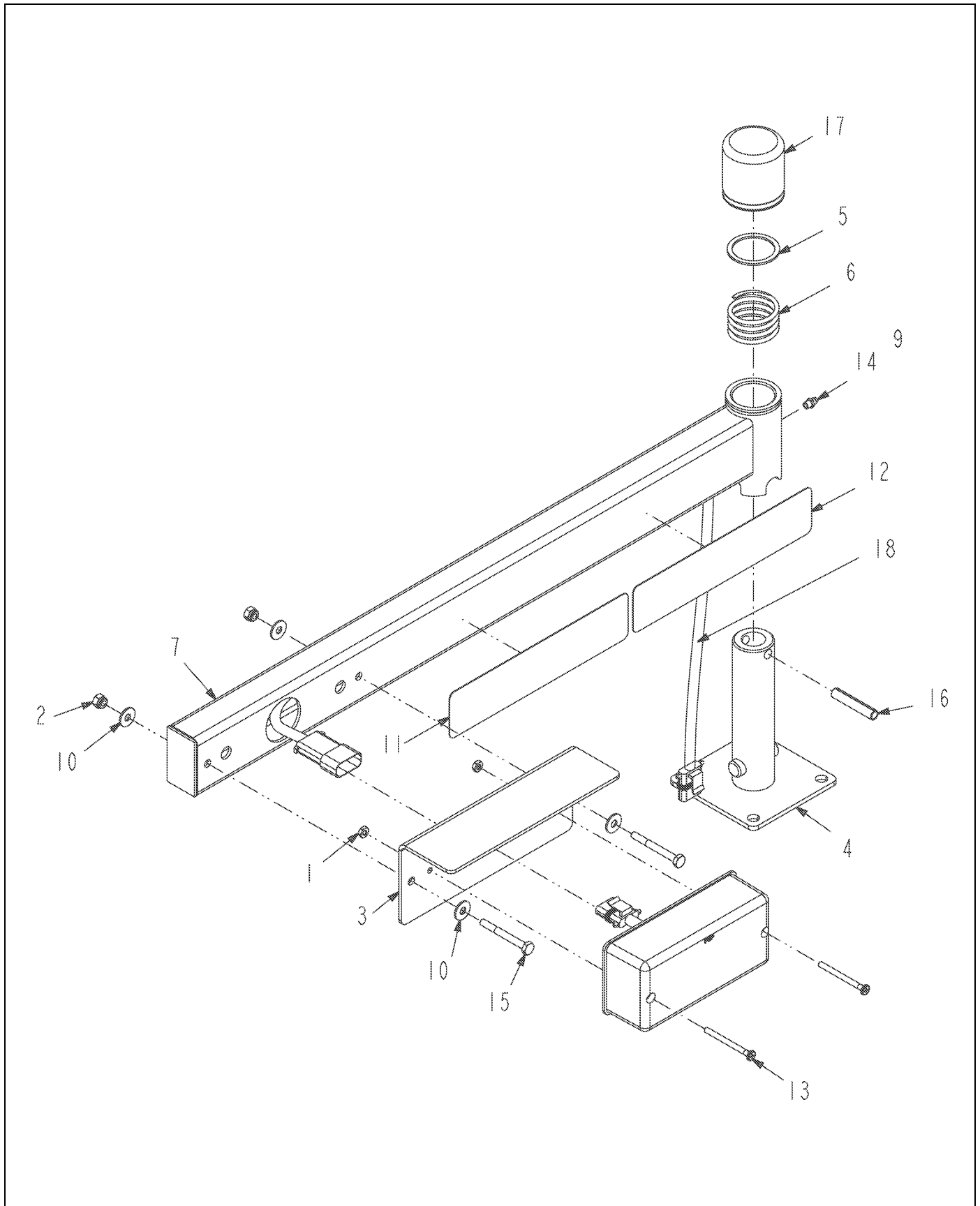
ITEM	PART #	QTY	DESCRIPTION	COMMENTS
1	507614D1	-	HOUSING WLDMT-SNSR,RH	
2	507616D1	-	BRKT WLDMT-INR,ULTRASONIC SNSR	
3	507617D1	-	CAP-MOLDED,3.00,SNSR HOUSING	
4	507618D1	-	GROMMET-ULTRASONIC SNSR	
5	507619D1	-	DAMPENER-VIBRATION SNSR	
6	507620D1	-	HARN-ULTRASONIC SNSR	
7	507621D1	-	SNSR-ULTRASONIC,AUTOBOOM	



512266D1-01-N472-01.TIF

AWFL INSTL-BRKAWAY,LIQ SYS,RC

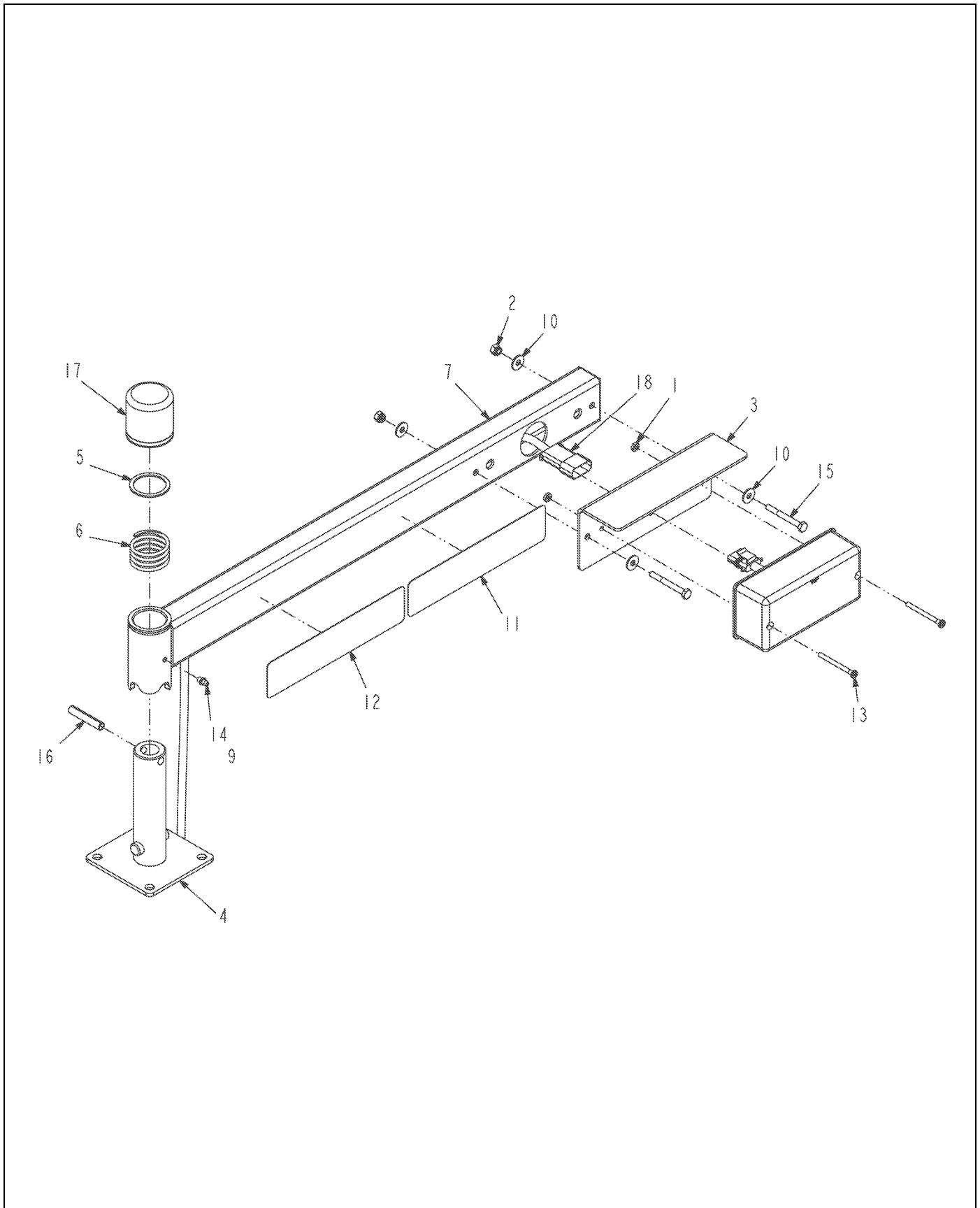
ITEM	PART #	QTY	DESCRIPTION	COMMENTS
1	AG130565	1	BRKT ASM-MTG,BREAKAWAY,AWFL,LH	SEE PAGE 6-26
2	AG130566	1	BRKT ASM-MTG,BREAKAWAY,AWFL,RH	SEE PAGE 6-27
3	AG515140	8	NUT 0.37-16NC HEX SS HVY NY	
4	AG523297	4	BOLT-U,.38-16X3.06X4.00L,SQ,SS	
5	AG562073	8	WASHER 0.37 FL SS REG TYPE-B	



130565-02-R146-.TIF

BRKT ASM-MTG,BREAKAWAY,AWFL,LH

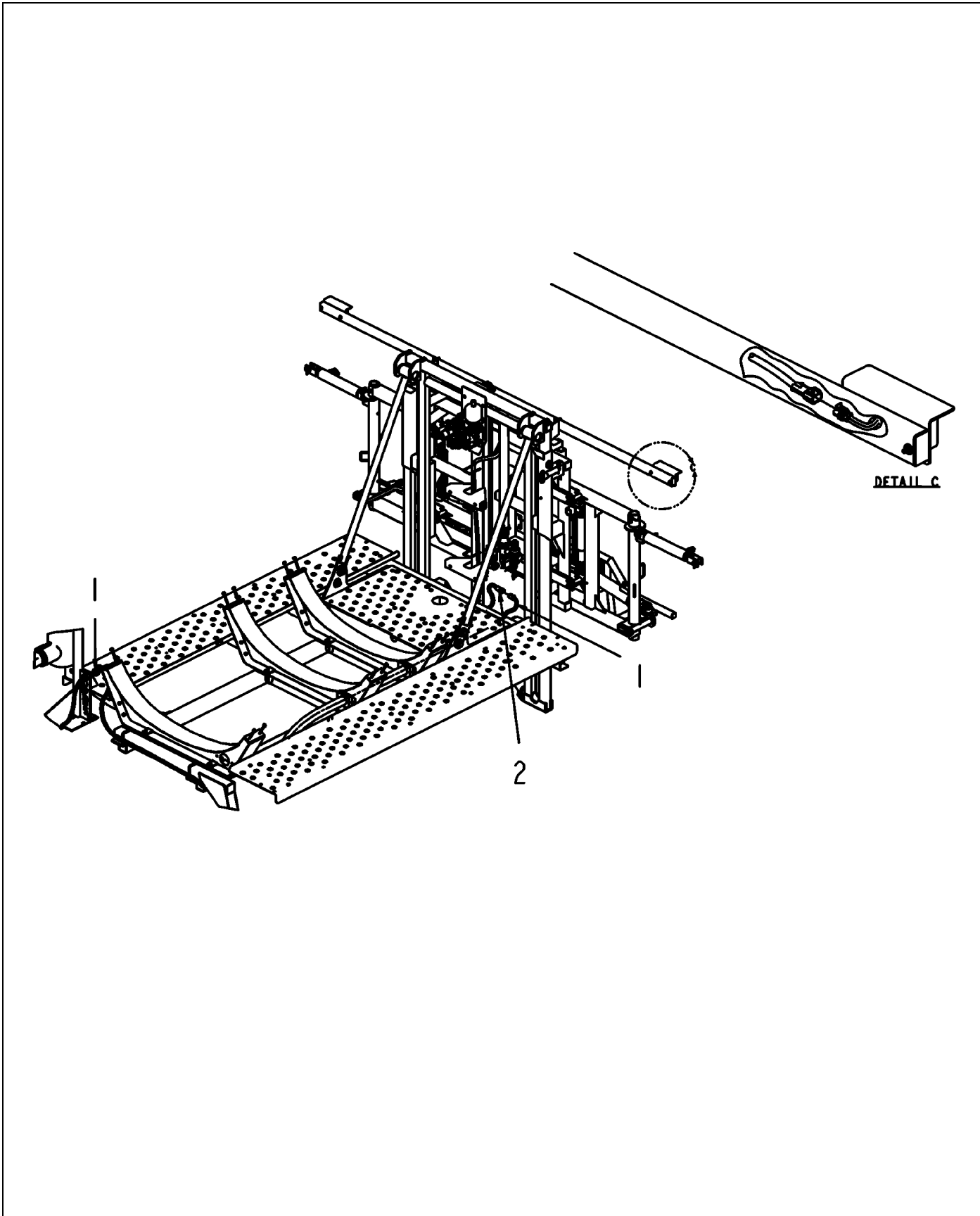
ITEM	PART #	QTY	DESCRIPTION	COMMENTS
1	AG027274	2	NUT #10-24NC HEX SS REG NY	
2	AG027275	2	NUT 0.25-20NC HEX SS REG NY	
3	AG122309	1	BRKT-MTG,LIGHT,AWFL	
4	AG130562	1	PIVOT WLDMT-MTG BRKT,AWFL	
5	AG130563	1	WASHER-1.53 ID X 1.88 OD	
6	AG130564	1	SPRING-COMP,1.52IDX.157X2.13LG	
7	AG134125	1	TUBE WLDMT-LIGHTBAR,LH	
8	AG327247	1	LAMP-WARNING,AMBER	
9	AG511099	AR	GREASE-MULTI PURPOSE LITH.	
10	AG515121	4	WASHER 0.25 FL SS REG TYPE-B	
11	AG523361	1	TAPE-REFLECTIVE,RED,DOT-C2	
12	AG523591	1	REFLECTOR-FLUOR RED/ORN2.0X9.0	
13	AG523814	2	SCR-10-24X2.25,PPH,SS	
14	AG561892	1	FITTING LUBE STR 0.25UNF	
15	AG562136	2	BOLT 0.25-20NCX 2.25 SS HHD	
16	AG562971	1	PIN ROLL .38 X 2.00 ZN	
17	3788369M1	1	CAP-PIVOT	
18	517729D1	1	HARNES-EXT,BRKAWAY,AWFL	



130566-02-R146-.TIF

BRKT ASM-MTG,BREAKAWAY,AWFL,RH

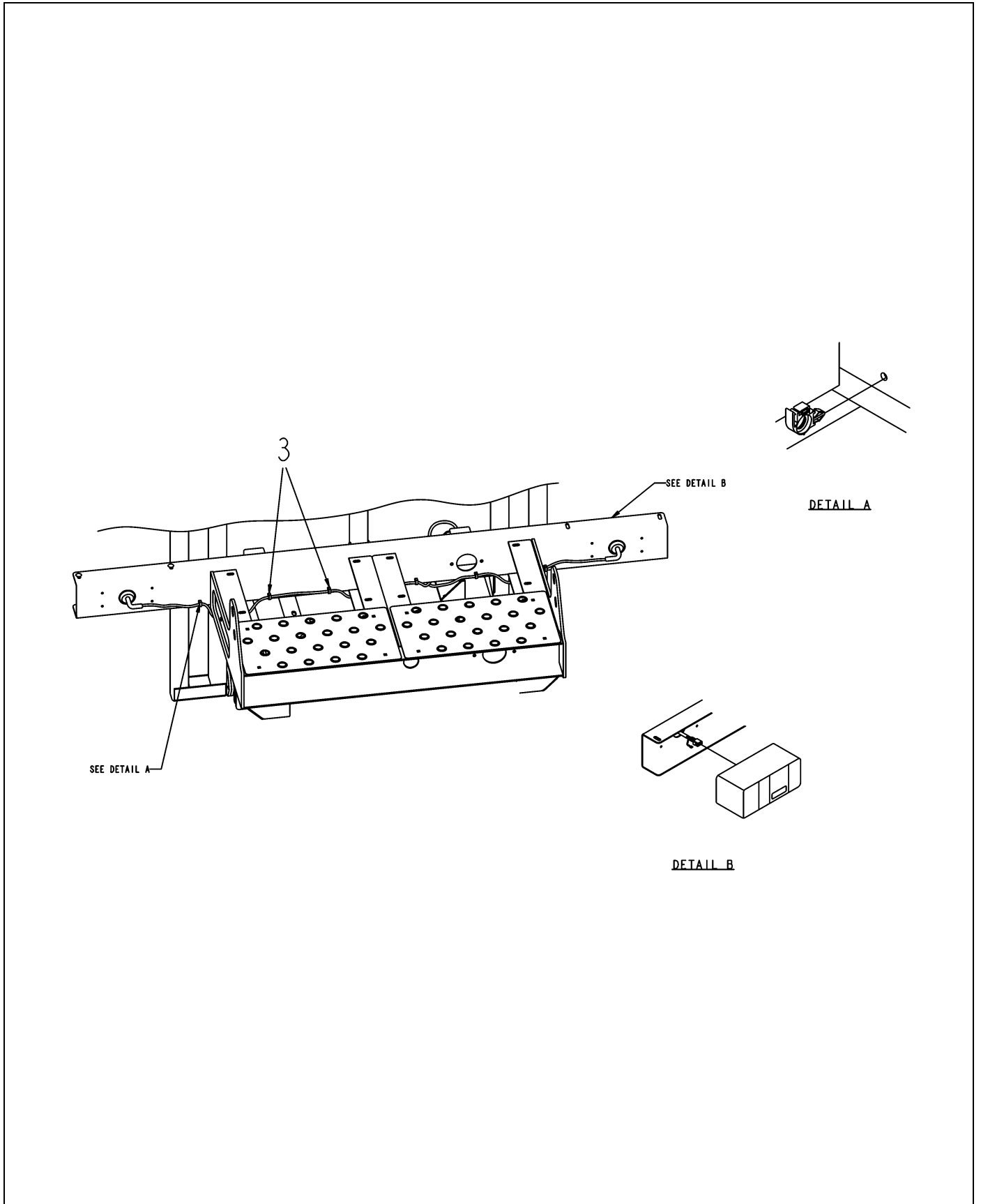
ITEM	PART #	QTY	DESCRIPTION	COMMENTS
1	AG027274	2	NUT #10-24NC HEX SS REG NY	
2	AG027275	2	NUT 0.25-20NC HEX SS REG NY	
3	AG122309	1	BRKT-MTG,LIGHT,AWFL	
4	AG130562	1	PIVOT WLDMT-MTG BRKT,AWFL	
5	AG130563	1	WASHER-1.53 ID X 1.88 OD	
6	AG130564	1	SPRING-COMP,1.52IDX.157X2.13LG	
7	AG134126	1	TUBE WLDMT-LIGHTBAR,RH	
8	AG327247	1	LAMP-WARNING,AMBER	
9	AG511099	AR	GREASE-MULTI PURPOSE LITH.	
10	AG515121	4	WASHER 0.25 FL SS REG TYPE-B	
11	AG523361	1	TAPE-REFLECTIVE,RED,DOT-C2	
12	AG523591	1	REFLECTOR-FLUOR RED/ORN2.0X9.0	
13	AG523814	2	SCR-10-24X2.25,PPH,SS	
14	AG561892	1	FITTING LUBE STR 0.25UNF	
15	AG562136	2	BOLT 0.25-20NCX 2.25 SS HHD	
16	AG562971	1	PIN ROLL .38 X 2.00 ZN	
17	3788369M1	1	CAP-PIVOT	
18	517729D1	1	HARNES-EXT,BRKAWAY,AWFL	



124035-A-1.tif

HARN INSTL-TLLT,WRN,LIQ(SYS)

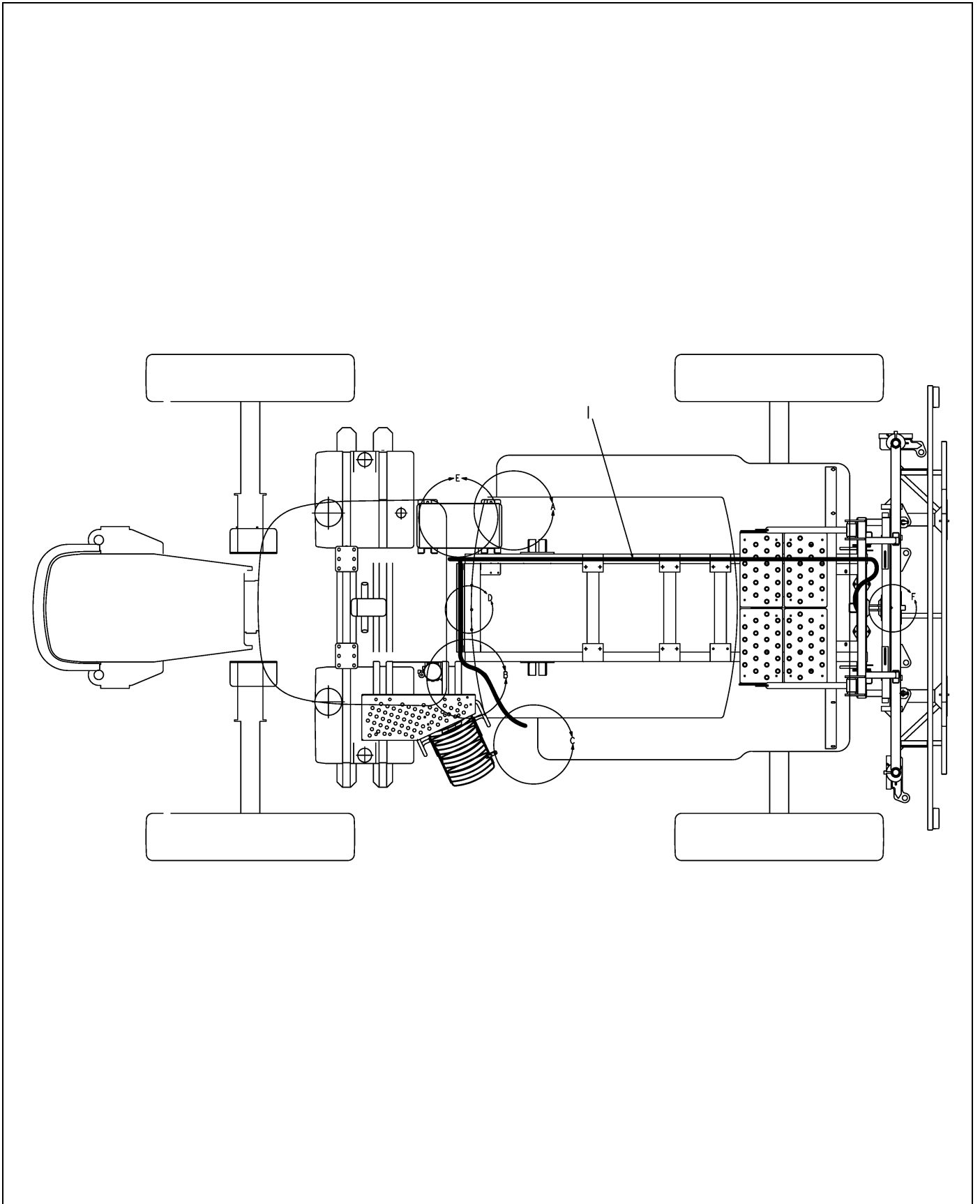
ITEM	PART #	QTY	DESCRIPTION	COMMENTS
1	AG124036	1	HARNESS-LIGHT,LIQ SYS	
2	AG424336	1	HARNESS-WARNING LIGHT,LIQ	



124035-A-2.TIF

HARN INSTL-TLLT,WRN,LIQ(SYS)

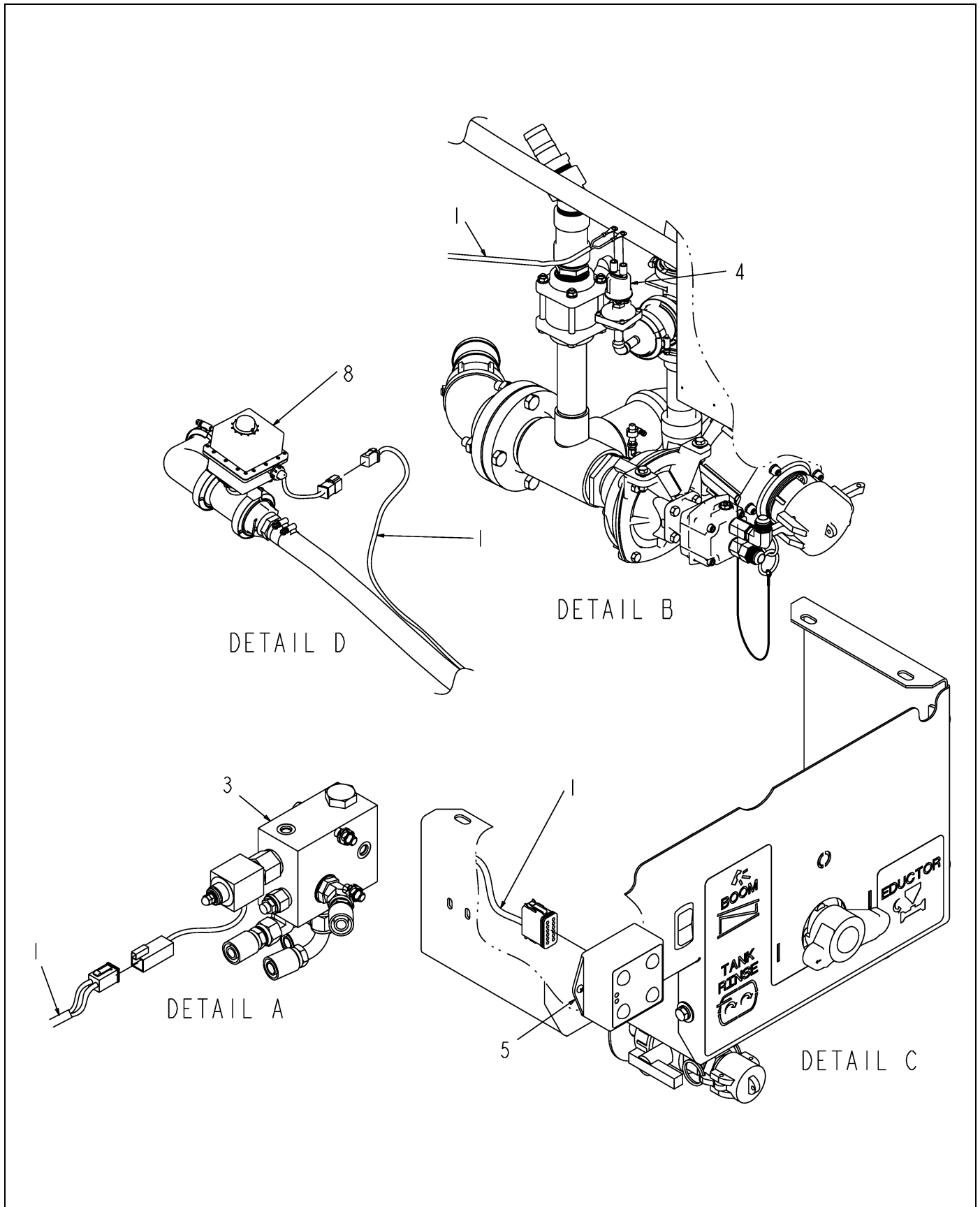
ITEM	PART #	QTY	DESCRIPTION	COMMENTS
3	AG524001	6	CLIP-ROSEBUD,,350	



512904D1-01-N429-01.TIF

HARN INSTL-PROD CONT, RG 8/10XX

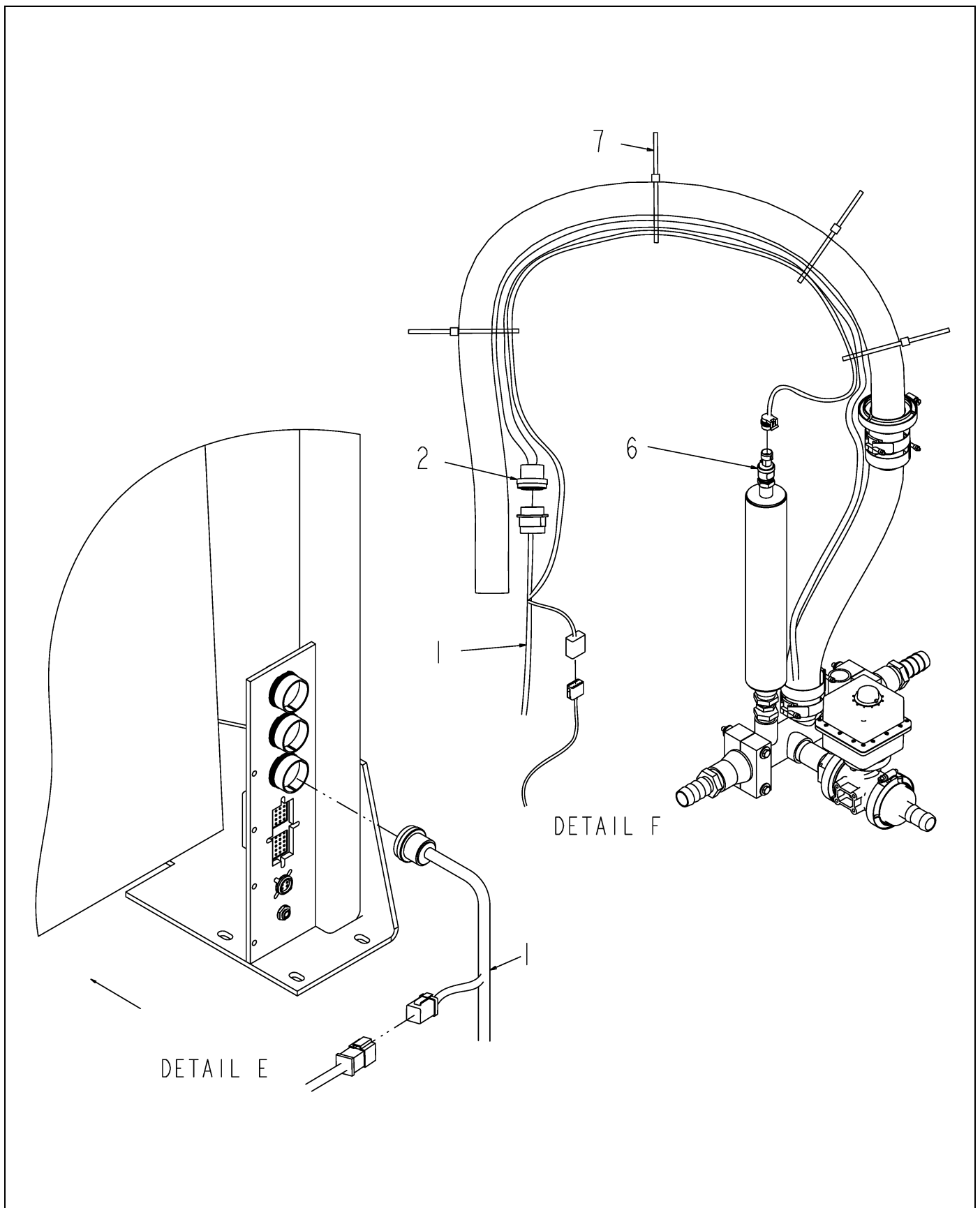
ITEM	PART #	QTY	DESCRIPTION	COMMENTS
1	509414D1	1	HARNES-PROD CONT,SYS,LIQ,RG	



512904D1-01-N429-02.TIF

HARN INSTL-PROD CONT, RG 8/10XX

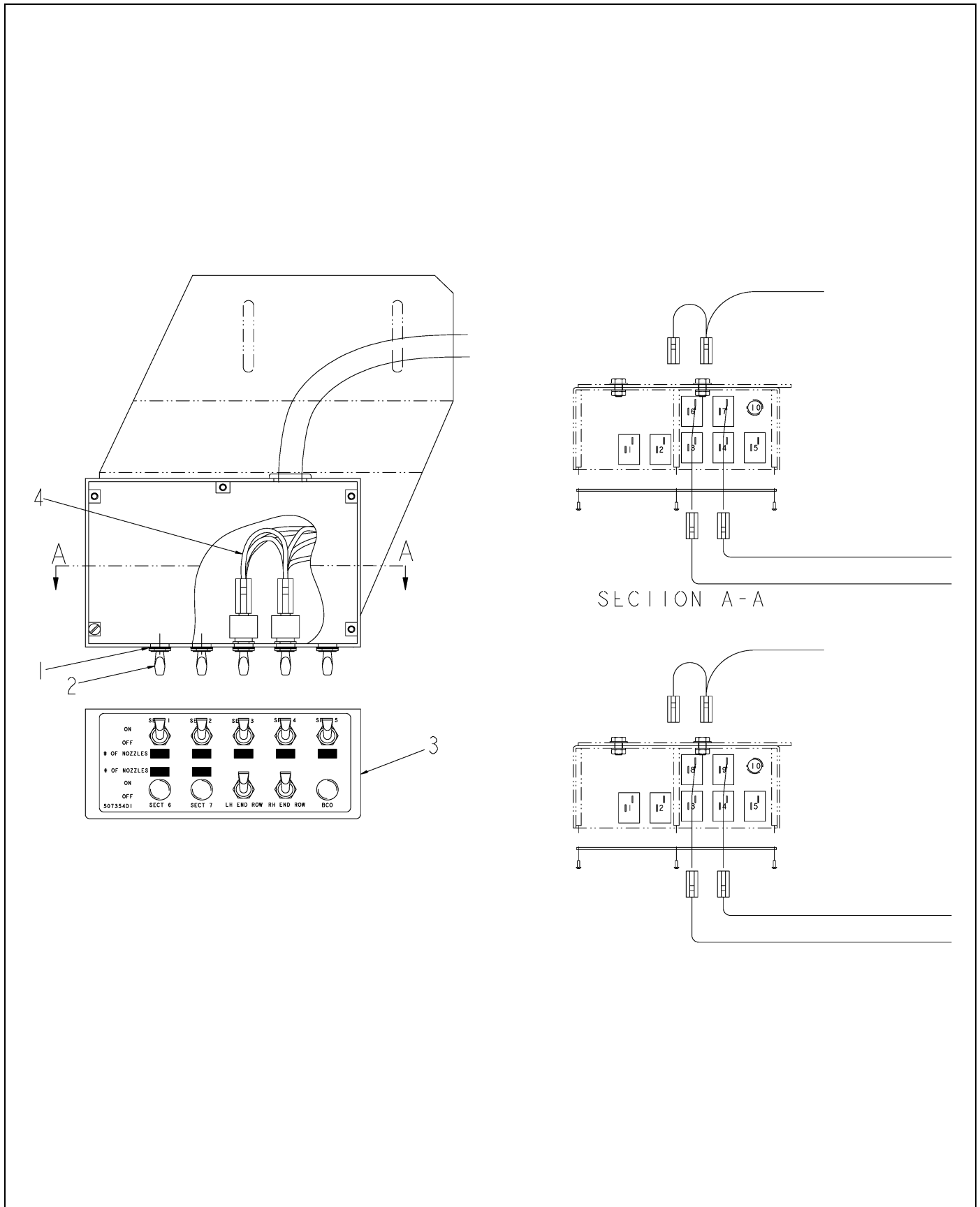
ITEM	PART #	QTY	DESCRIPTION	COMMENTS
1	509414D1	1	HARNES-PROD CONT,SYS,LIQ,RG	
3	AG424287	-	VALVE-HYD,PWM,LIQ SYS,15 GPM	SEE PAGE 5-54
4	AG521017	-	SENDER-PRESSURE,0-150PSI,GRD	
5	509280D1	-	MODULE-CTRL,PLMB,PROD,LIQ SYS	
8	AG523925	-	VALVE-ELEC,REG,2.0FLGX1.0FNPT	SEE PAGE 2-18



512904D1-01-N429-03.TIF

HARN INSTL-PROD CONT, RG 8/10XX

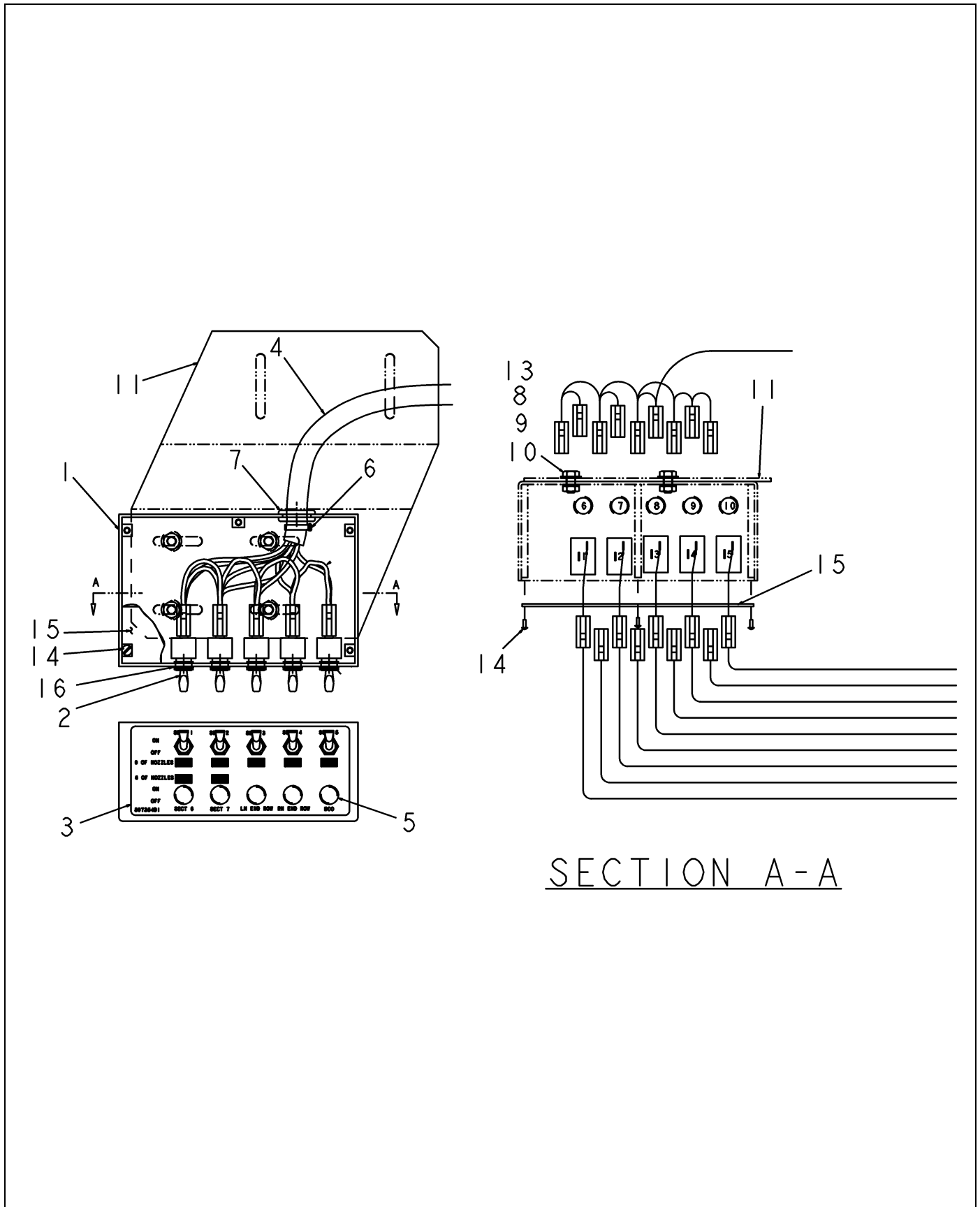
ITEM	PART #	QTY	DESCRIPTION	COMMENTS
1	509414D1	1	HARNESS-PROD CONT,SYS,LIQ,RG	
2	509417D1	-	HARNESS-BSO VLV,5SECT,CTR	
6	AG524270	-	TRANSDUCER-PRES R/B 517405D1	
7	AG554278	6	TIE CABLE 11.0 .06-3.06 BLACK	



122451-03-N172-.tif

SWITCH INSTL-ER,8/1064

ITEM	PART #	QTY	DESCRIPTION	COMMENTS
1	AG520326	2	WASHER 0.47 INT TOOTH LK CD	
2	AG518707	2	SWITCH ELECT SPST BAT HANDLE	
3	AG121868	-	SWITCHBOX ASM-BOOM CTRL,8/1064	SEE PAGE 6-34
4	507356D1	-	HARN-SWITCHBOX,7SECT,8/10X4	

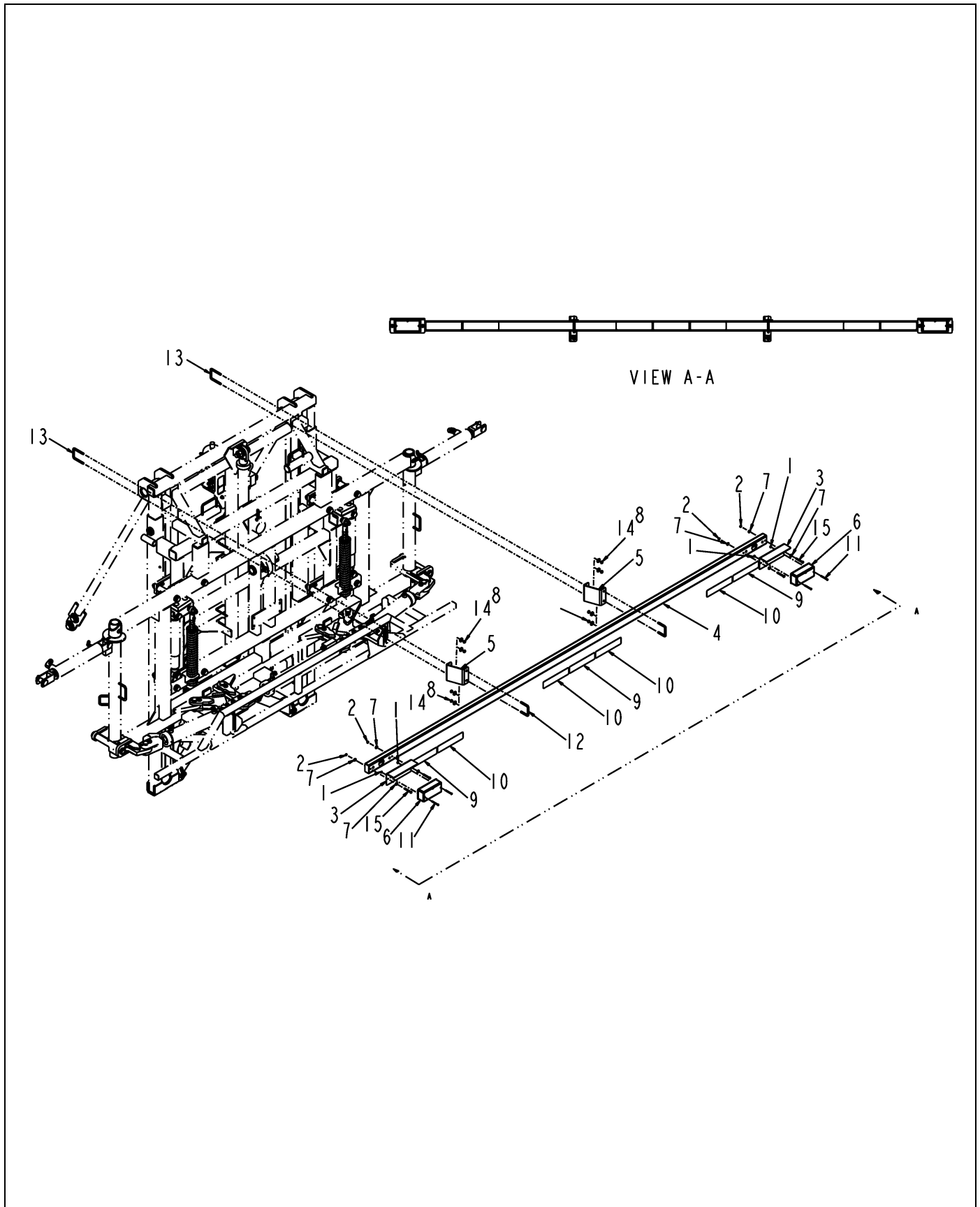


SECTION A-A

SWITCHBOX ASM-BOOM CTRL,8/1064

ITEM	PART #	QTY	DESCRIPTION	COMMENTS
1	AG235467	1	CONTROL BOX	
2	AG518707	5	SWITCH ELECT SPST BAT HANDLE	
3	507354D1	1	DECAL-SWITCHBOX,7SECT,8/10X4	
4	507356D1	1	HARN-SWITCHBOX,7SECT,8/10X4	
5	AG562251	5	PLUG BLACK 0.50 PLASTIC	
6	AG553557	1	TIE CABLE 7.37 .06-1.37 BLACK	
7	AG515310	1	GROMMET .75ID X1.0 GROOVE DIA	
8	AG562047	4	BOLT 0.25-20NCX 0.50 SS HHD	
9	AG515122	4	WASHER 0.25 LK SS REG	
10	AG515123	4	NUT 0.25-20NC HEX SS REG	
11	AG231940	1	BRACKET,SWITCH	
13	AG515121	4	WASHER 0.25 FL SS REG TYPE-B	
14	AG029233	5	SCREW MACH RDHD SL ZN 8-32X.50	
15	AG322370	1	COVER	
16	AG520326	5	WASHER 0.47 INT TOOTH LK CD	

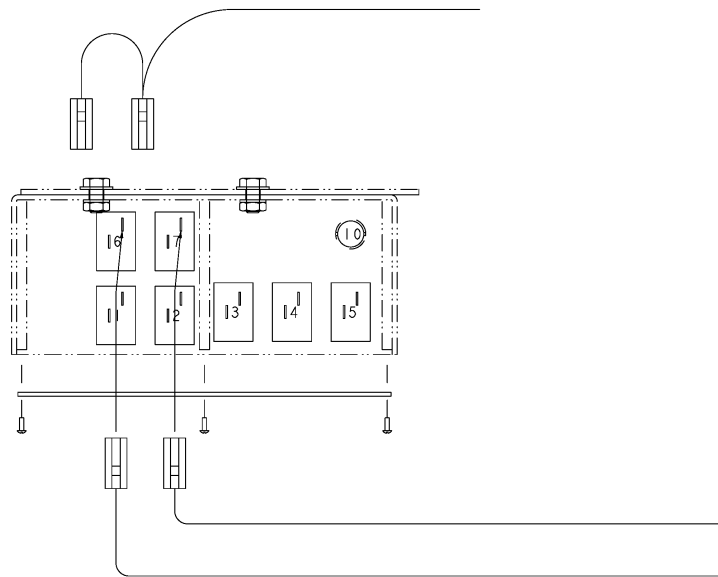
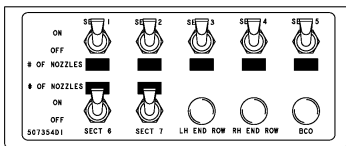
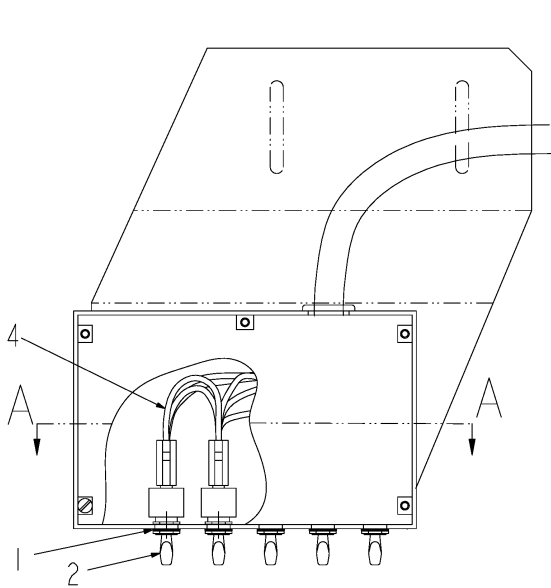
LIGHTBAR INSTL-REAR



327861.TIF

LIGHTBAR INSTL-REAR

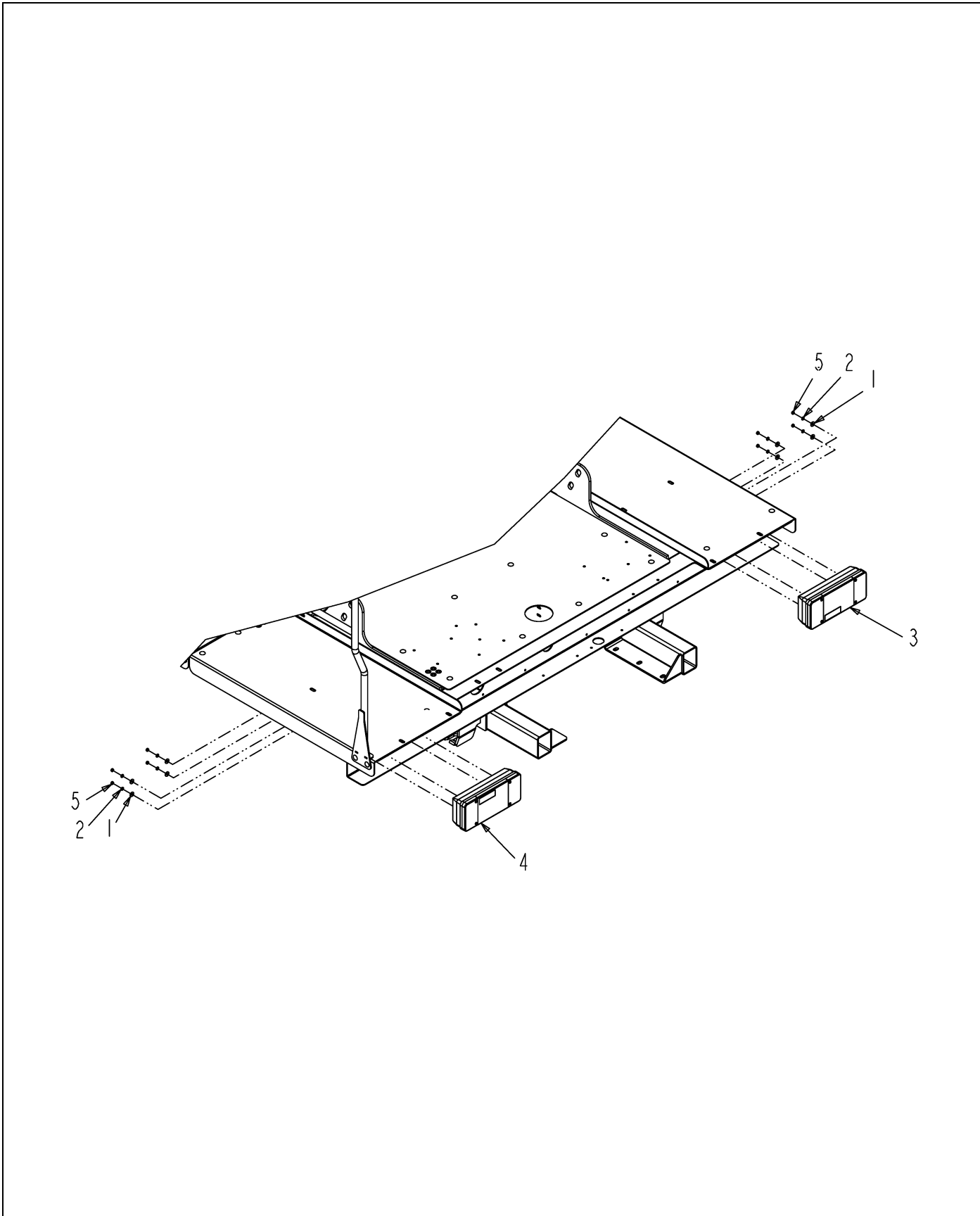
ITEM	PART #	QTY	DESCRIPTION	COMMENTS
1	AG027274	4	NUT #10-24NC HEX SS REG NY	
2	AG027275	4	NUT 0.25-20NC HEX SS REG NY	
3	AG122309	2	BRKT-MTG,LIGHT,AWFL	
4	AG122311	1	TUBE WLDMT-BAR,LIGHT	
5	AG262937	2	BRKT-MTG,LIGHTBAR,LH	
6	AG327247	2	LAMP-WARNING,AMBER	
7	AG515121	8	WASHER 0.25 FL SS REG TYPE-B	
8	AG515140	8	NUT 0.37-16NC HEX SS HVY NY	
9	AG523361	3	TAPE-REFLECTIVE,RED,DOT-C2	
10	AG523591	4	REFLECTOR-FLUOR RED/ORN2.0X9.0	
11	AG523814	4	SCR-10-24X2.25,PPH,SS	
12	AG523837	2	BOLT-U,,38-16X2.56X2.5,SQ,SS	
13	AG524292	2	BOLT-U,,38-16,2.56X3.50,SQ,SS	
14	AG562073	8	WASHER 0.37 FL SS REG TYPE-B	
15	AG562136	4	BOLT 0.25-20NCX 2.25 SS HHD	



SECTION A-A

SWITCH INSTL-SECT 6/7,8/10X4

ITEM	PART #	QTY	DESCRIPTION	COMMENTS
1	AG520326	2	WASHER 0.47 INT TOOTH LK CD	
2	AG518707	2	SWITCH ELECT SPST BAT HANDLE	
3	AG121868	-	SWITCHBOX ASM-BOOM CTRL,8/1064	SEE PAGE 6-34
4	507356D1	-	HARN-SWITCHBOX,7SECT,8/10X4	

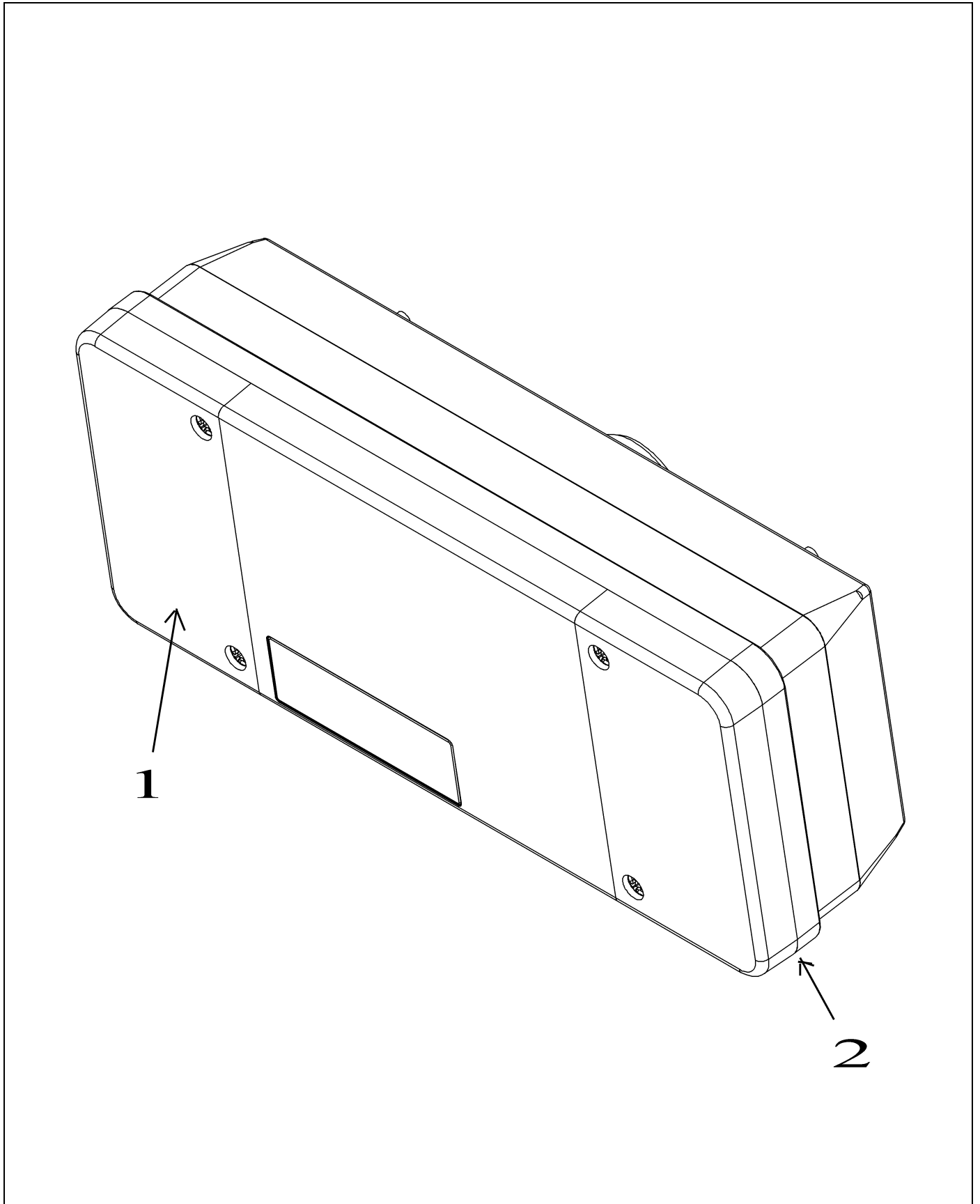


507860D1-01-N035.TIF

LIGHT INSTL-TAIL,SADDLE,RC LIQ

ITEM	PART #	QTY	DESCRIPTION	COMMENTS
1	AG515121	8	WASHER 0.25 FL SS REG TYPE-B	
2	AG515122	8	WASHER 0.25 LK SS REG	
3	AG516567	1	LAMP CLUSTER REAR RH	SEE PAGE 6-38
4	AG516568	1	LAMP CLUSTER REAR LH	SEE PAGE 6-39
5	AG562793	8	NUT HEX M6 X 1.00	

LAMP CLUSTER REAR RH

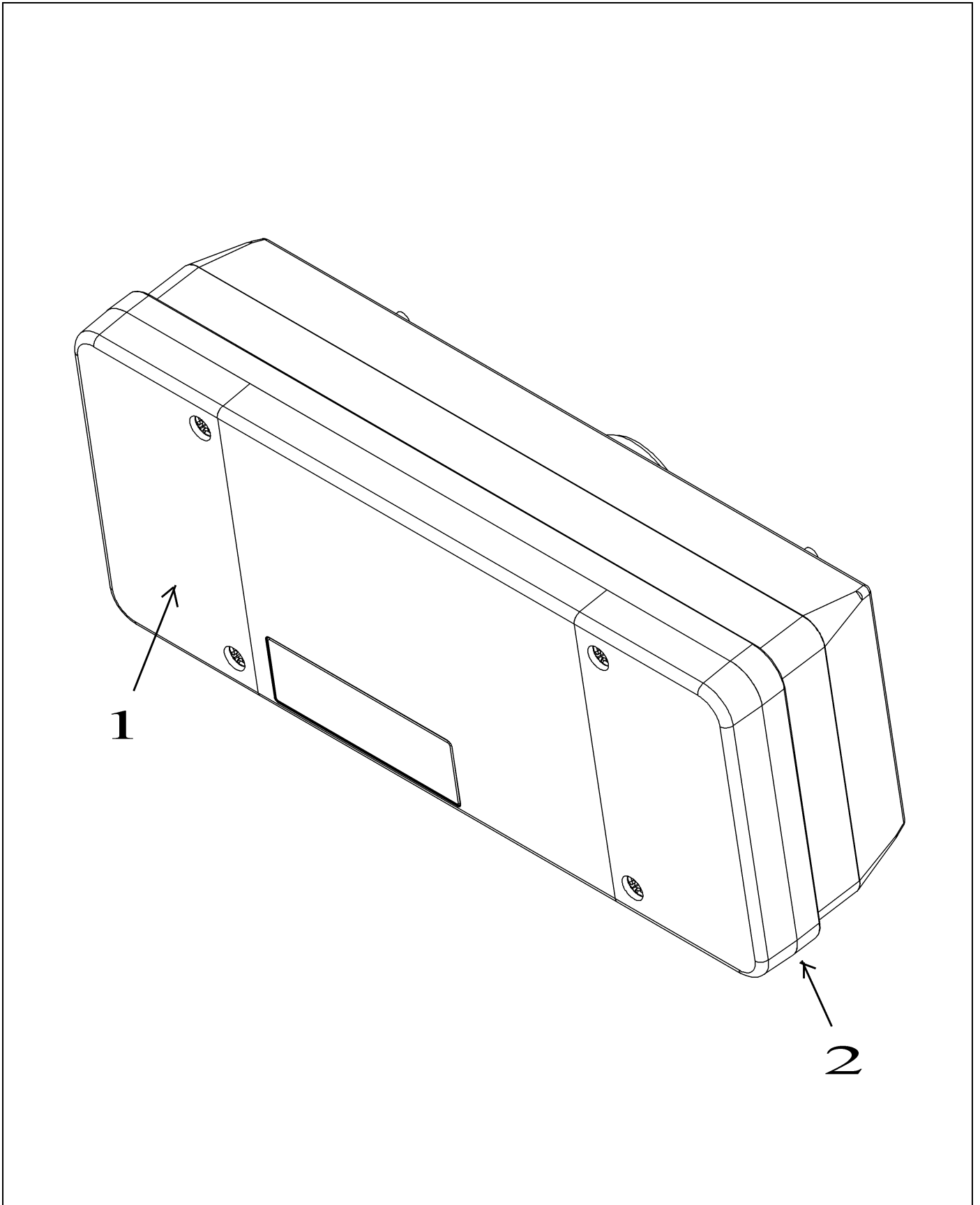


516567.TIF

LAMP CLUSTER REAR RH

ITEM	PART #	QTY	DESCRIPTION	COMMENTS
REF	AG515122	1	WASHER 0.25 LK SS REG	
REF	AG562327	1	BOLT M6-1.00X20MM G8.8 ZN HHD	
REF	AG562793	1	NUT HEX M6 X 1.00	
REF	AG834159	1	BULB (516567-516568) 12-5W	
REF	AG714828	1	BULB 12V 21W	
1	AG711448	1	LENS RH 516567	
2	AG719528	1	LENS GASKET (516567&516568)	

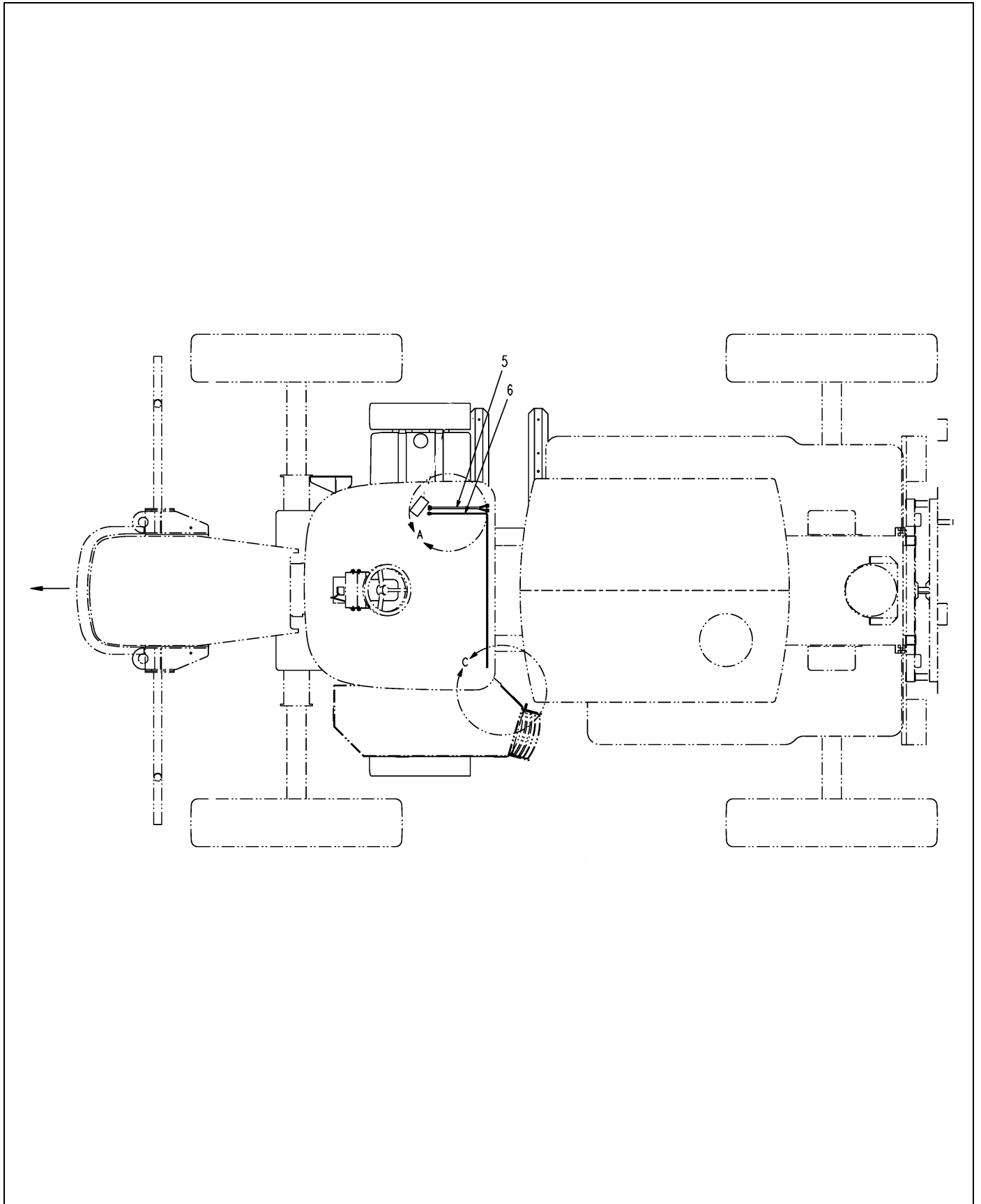
LAMP CLUSTER REAR LH



516568.TIF

LAMP CLUSTER REAR LH

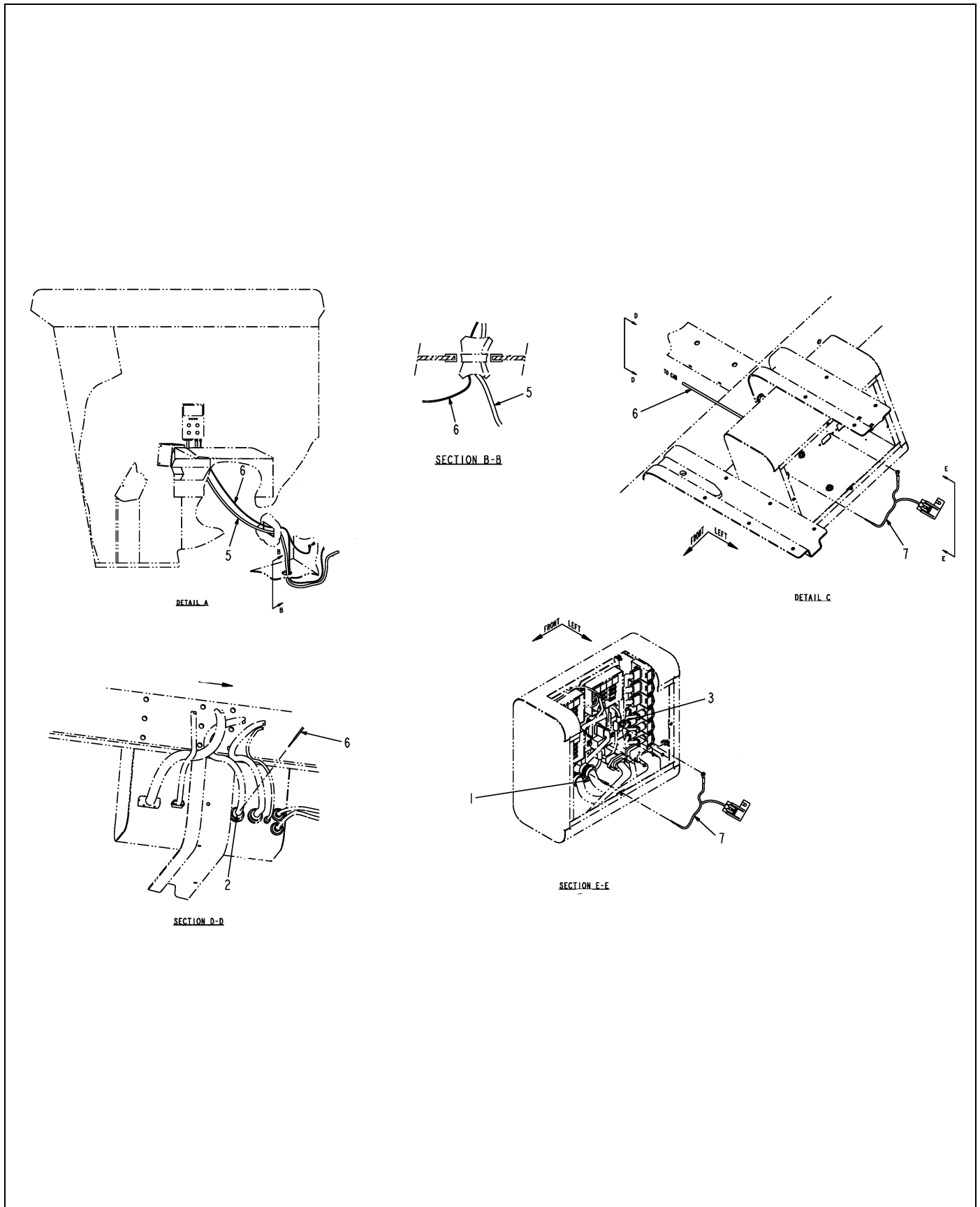
ITEM	PART #	QTY	DESCRIPTION	COMMENTS
REF	AG515122	1	WASHER 0.25 LK SS REG	
REF	AG562327	1	BOLT M6-1.00X20MM G8.8 ZN HHD	
REF	AG562793	1	NUT HEX M6 X 1.00	
REF	AG834159	1	BULB (516567-516568) 12-5W	
REF	AG714828	1	BULB 12V 21W	
1	AG711448	1	LENS RH 516567	
2	AG719528	1	LENS GASKET (516567&516568)	



509994D1-01-N273-01.TIF

HARN INSTL-PWR/CTRL,G2,8/1074

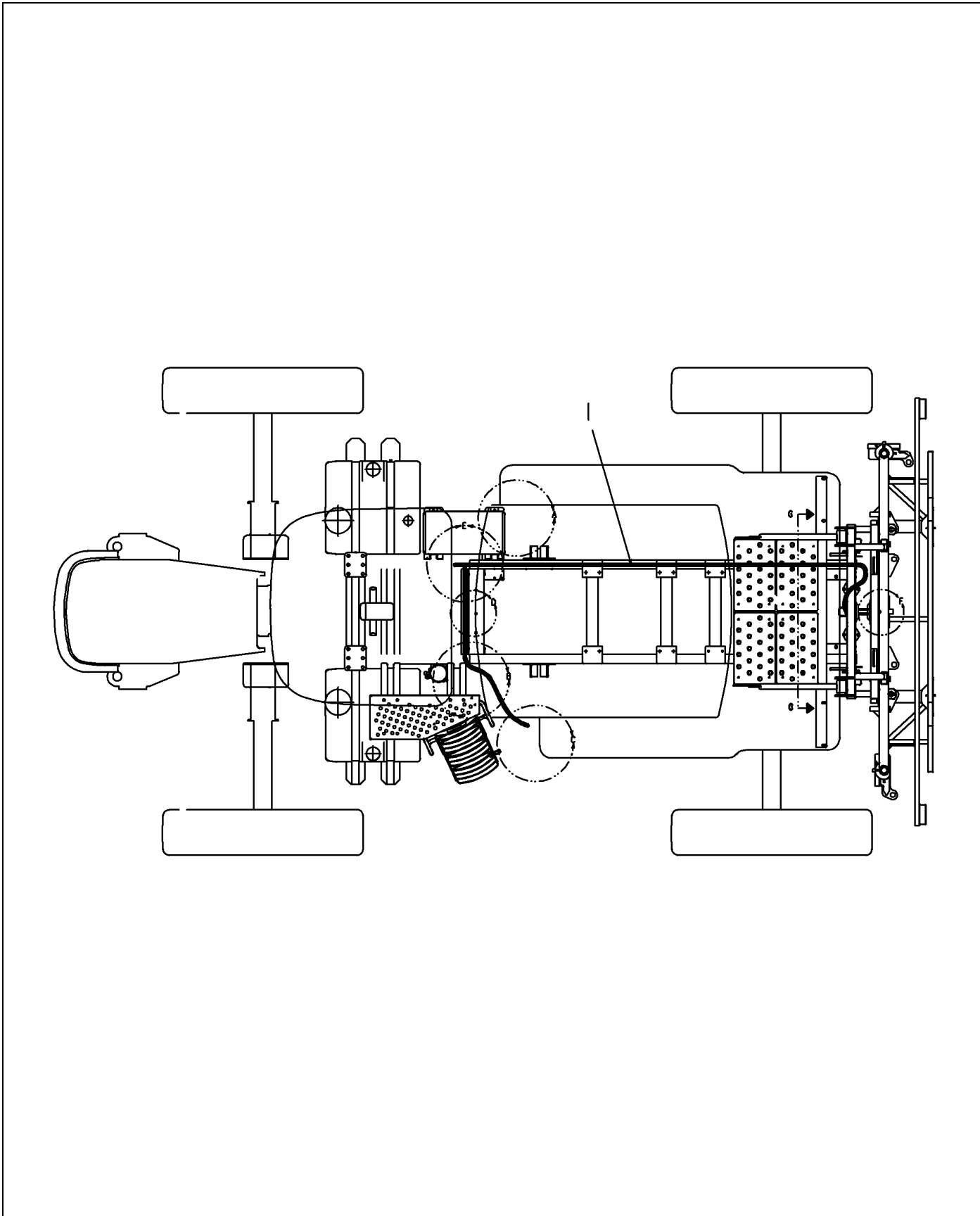
ITEM	PART #	QTY	DESCRIPTION	COMMENTS
REF	AG553557	AR	TIE CABLE 7.37 .06-1.37 BLACK	
5	506892D1	1	HARN-CTRL,CAB,AUTOBOOM,G2	
6	506894D1	1	HARN-PWR,AUTOBOOM,8/10X4	



509994D1-01-N273-02.TIF

HARN INSTL-PWR/CTRL,G2,8/1074

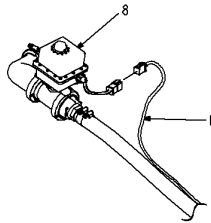
ITEM	PART #	QTY	DESCRIPTION	COMMENTS
1	505566D1	-	HARNESS-FUSE BLOCK,864	
2	509964D1	-	HARNESS-CHASSIS	
3	AG516864	-	RELAY-ELEC,12VDC,75AMP	
5	506892D1	1	HARN-CTRL,CAB,AUTOBOOM,G2	
6	506894D1	1	HARN-PWR,AUTOBOOM,8/10X4	
7	506895D1	1	HARN-RELAY,10A,AUTOBOOM,8/10X4	



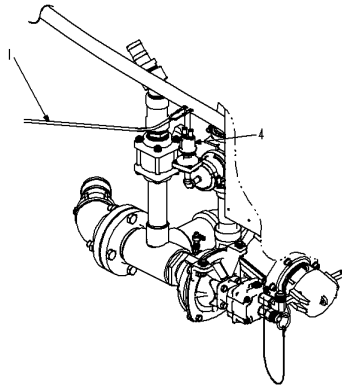
511817D1-03-R468-01.TIF

HARNESS INSTL-PROD CONT,RG

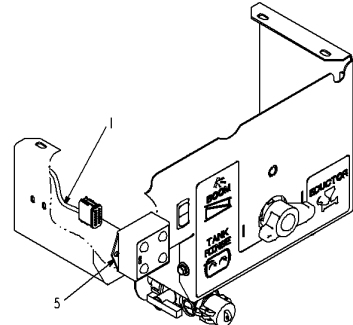
ITEM	PART #	QTY	DESCRIPTION	COMMENTS
1	511623D1	1	HARNESS-PRODUCT CONTROL(SYS)	



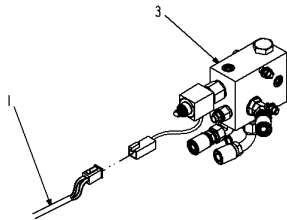
DETAIL D



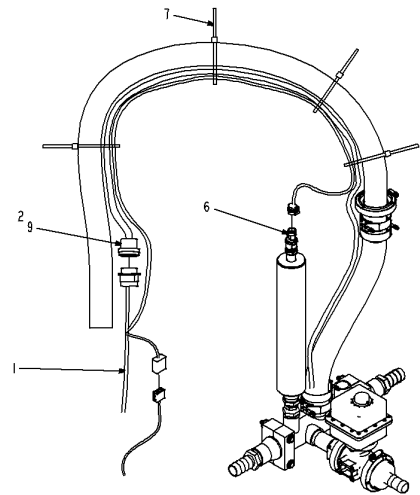
DETAIL B



DETAIL C



DETAIL A

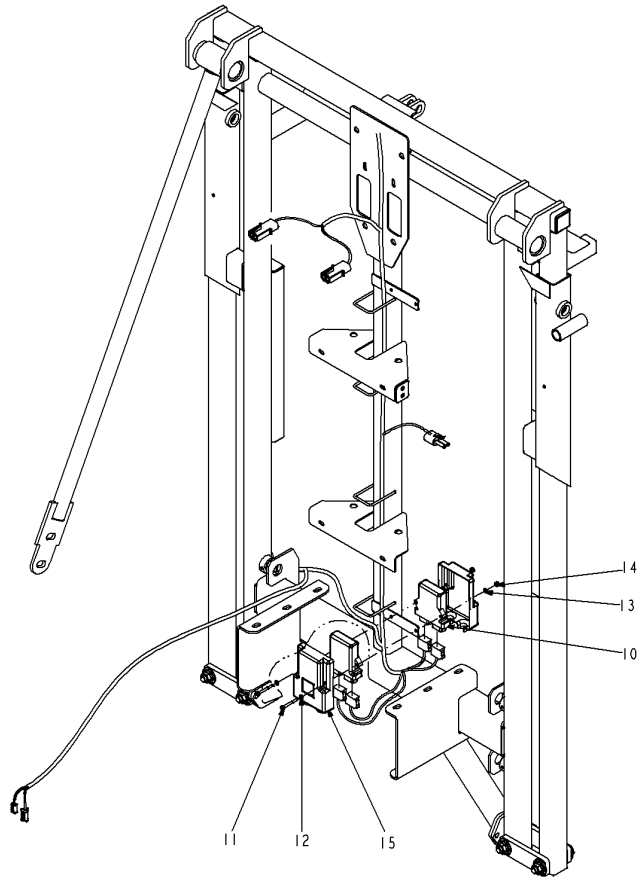


DETAIL F

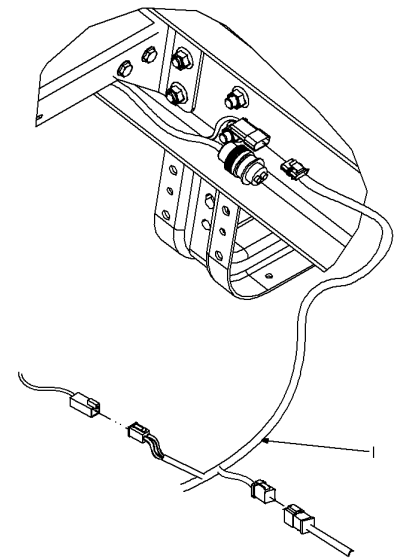
511817D1-03-R468-02.TIF

HARNESS INSTL-PROD CONT, RG

ITEM	PART #	QTY	DESCRIPTION	COMMENTS
1	511623D1	1	HARNESS-PRODUCT CONTROL(SYS)	
2	AG504299	-	HARNESS-ELEC BM SECT VLV(SYS)	
3	AG424287	-	VALVE-HYD,PWM,LIQ SYS,15 GPM	SEE PAGE 5-54
4	AG521017	-	SENDER-PRESSURE,0-150PSI,GRD	
5	509280D1	-	MODULE-CTRL,PLMB,PROD,LIQ SYS	
6	AG524270	-	TRANSDUCER-PRES R/B 517405D1	
7	AG554278	6	TIE CABLE 11.0 .06-3.06 BLACK	
8	AG523925	-	VALVE-ELEC,REG,2.0FLGX1.0FNPT	SEE PAGE 2-18
9	505270D1	-	HARNESS-BSO VLV,7 SECT	



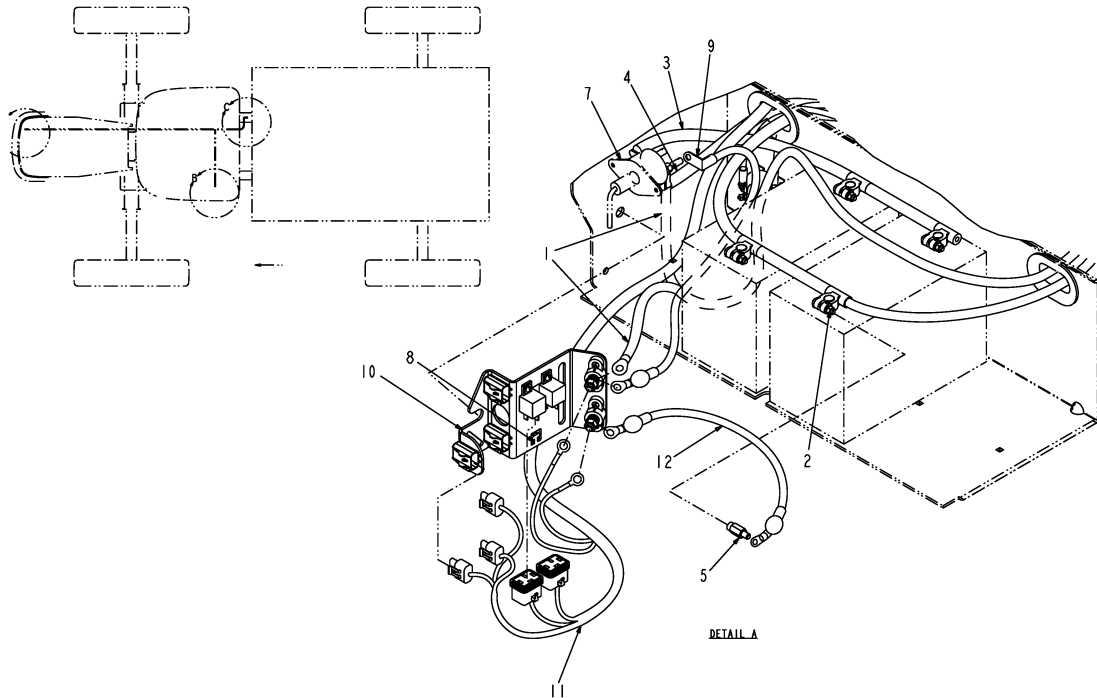
VIEW G-G



DETAIL E

HARNESS INSTL-PROD CONT, RG

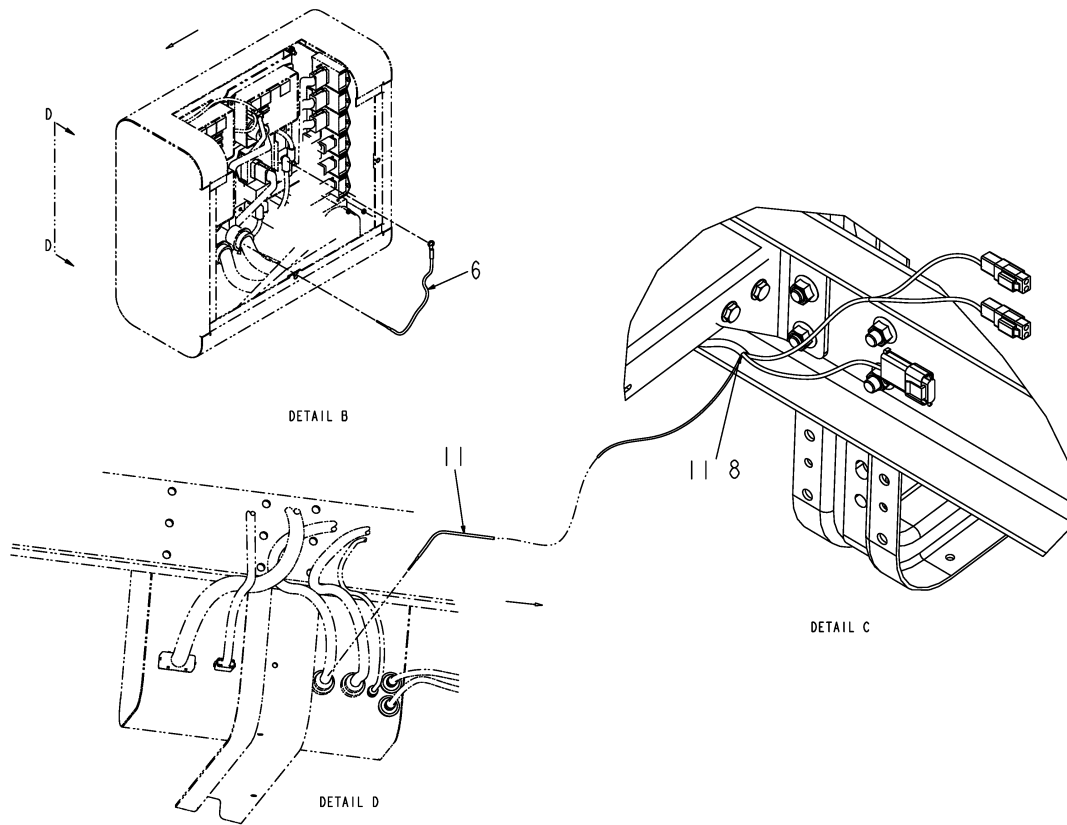
ITEM	PART #	QTY	DESCRIPTION	COMMENTS
1	511623D1	1	HARNESS-PRODUCT CONTROL(SYS)	
10	516006D1	2	MODULE ASM-I/O,CAN	
11	AG562136	2	BOLT 0.25-20NCX 2.25 SS HHD	
12	AG517724	2	WASHER FLAT NARROW	
13	AG515122	2	WASHER 0.25 LK SS REG	
14	AG515123	2	NUT 0.25-20NC HEX SS REG	
15	520331D1	2	COVER-I/O ASM.	



511925D1-01-N484-01.TIF

OPT INSTL-ELECTRICAL,RG

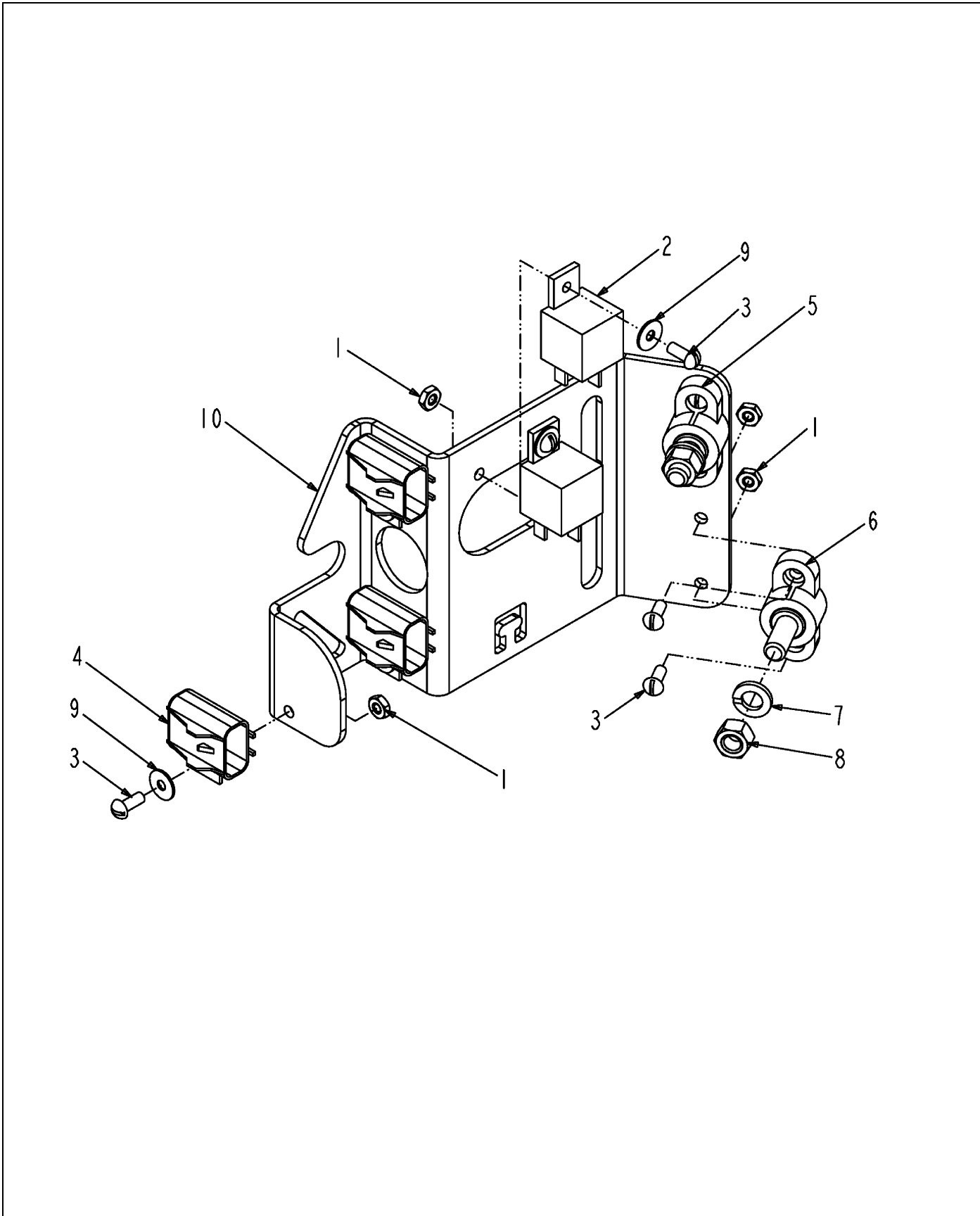
ITEM	PART #	QTY	DESCRIPTION	COMMENTS
1	AG122290	-	CABLE-NEG,AUX PWR,PWR BOX	
2	AG122291	-	CABLE-BATTERY,POSITIVE,864	
3	AG122292	-	CABLE-BATTERY,NEGATIVE,864	
4	AG122312	-	CABLE-BATTERY,NEG,STARTER	
5	AG125908	1	EXTENDER-BATTERY BOLT	
7	AG520910	-	SWITCH-BATTERY,SHUTOFF	
8	AG553557	AR	TIE CABLE 7.37 .06-1.37 BLACK	
9	503289D1	1	CABLE-DISCONNECT,STUD,GND,90	
10	511923D1	1	ASM-PWR/GND STUD,RG	SEE PAGE 6-47
11	511924D1	1	HARNESS-PWR/GND,OPT,RG	
12	512145D1	1	CABLE-BATTERY,STUD,POS	



511925D1-01-N484-02.TIF

OPT INSTL-ELECTRICAL,RG

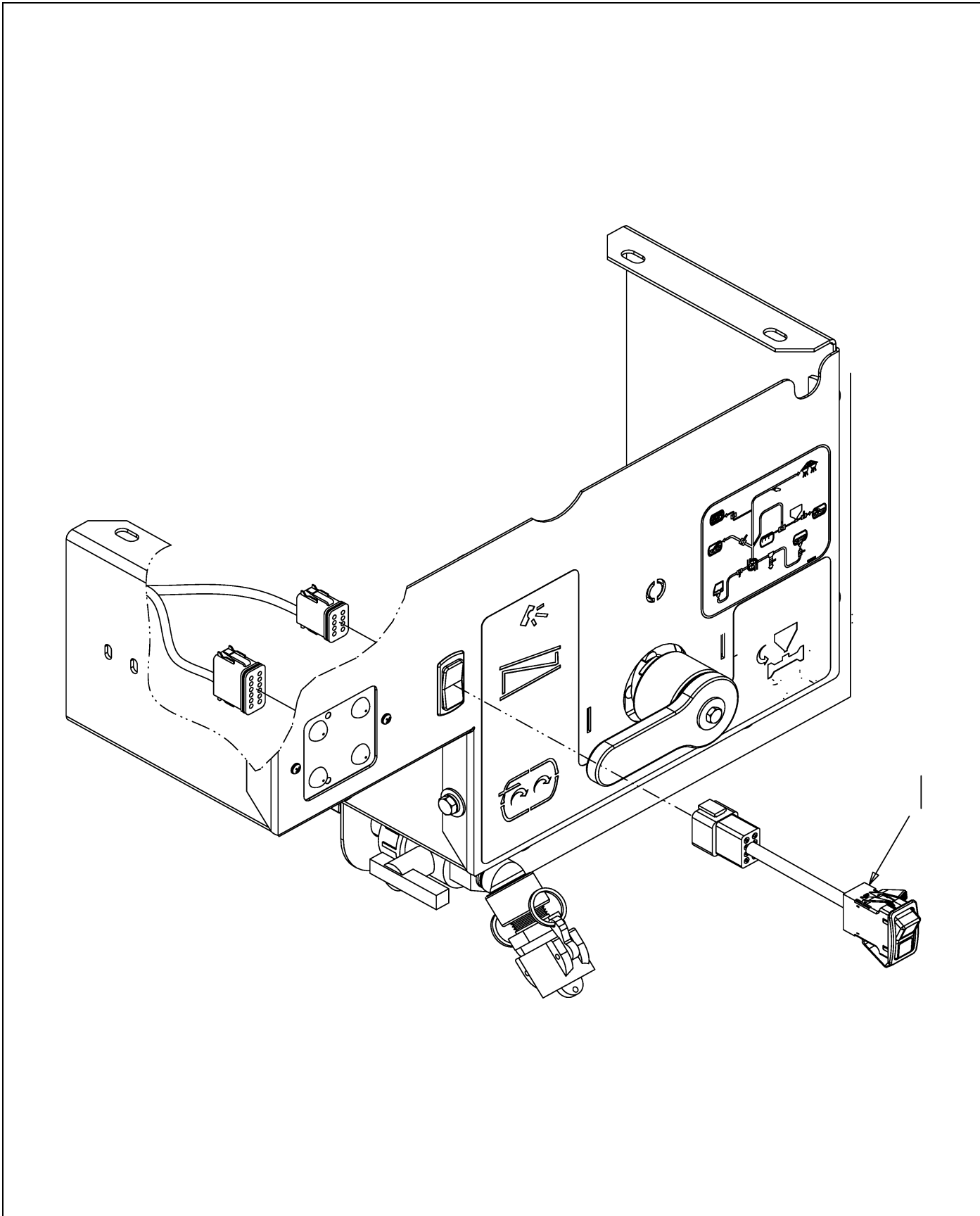
ITEM	PART #	QTY	DESCRIPTION	COMMENTS
6	AG126088	1	HARNESS-ENABLE,RELAY,INJ	
8	AG553557	AR	TIE CABLE 7.37 .06-1.37 BLACK	
11	511924D1	1	HARNESS-PWR/GND,OPT,RG	



511923D1-01-N484-.TIF

ASM-PWR/GND STUD, RG

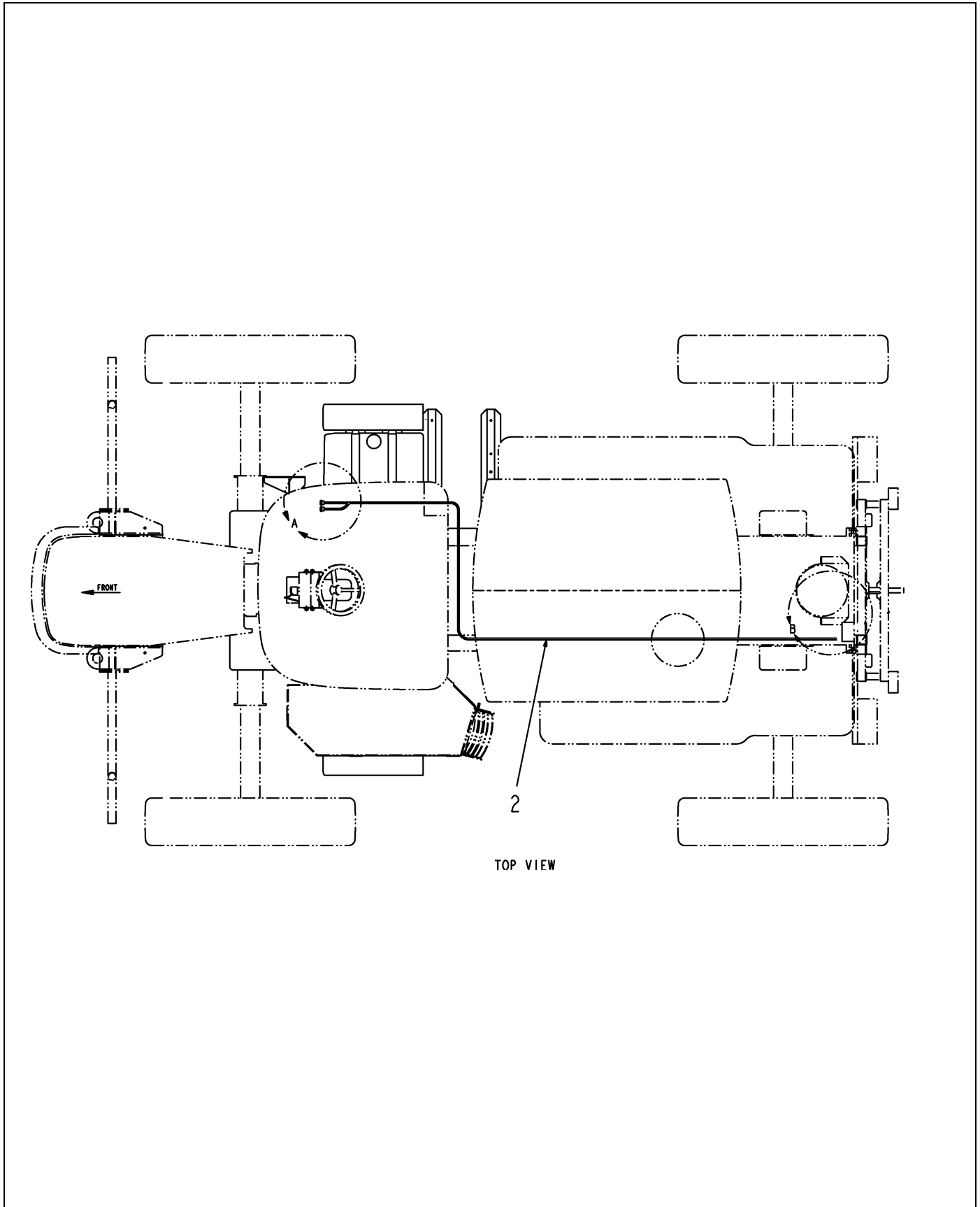
ITEM	PART #	QTY	DESCRIPTION	COMMENTS
1	AG027274	9	NUT #10-24NC HEX SS REG NY	
2	AG515756	2	RELAY, ELECTRICAL	
3	AG517975	9	SCREW 10-24NCX0.50 RD HD SS	
4	AG520052	3	CAP METRI PACK 630 P2S 2-WAY	
5	AG520092	1	JUNCTION BLOCK-STUD TYPE, BLK	
6	AG520093	1	JUNCTION BLOCK-STUD TYPE, RED	
7	AG562050	2	WASHER 0.37 LK SS REG	
8	AG562065	2	NUT 0.37-16NC HEX SS REG	
9	AG562082	5	WASHER #10 FL SS REG TYPE-B	
10	511922D1	1	PLATE-PWR/GND STUD	



512367D1-01-N428-.TIF

SWITCH INSTL-HV/STD

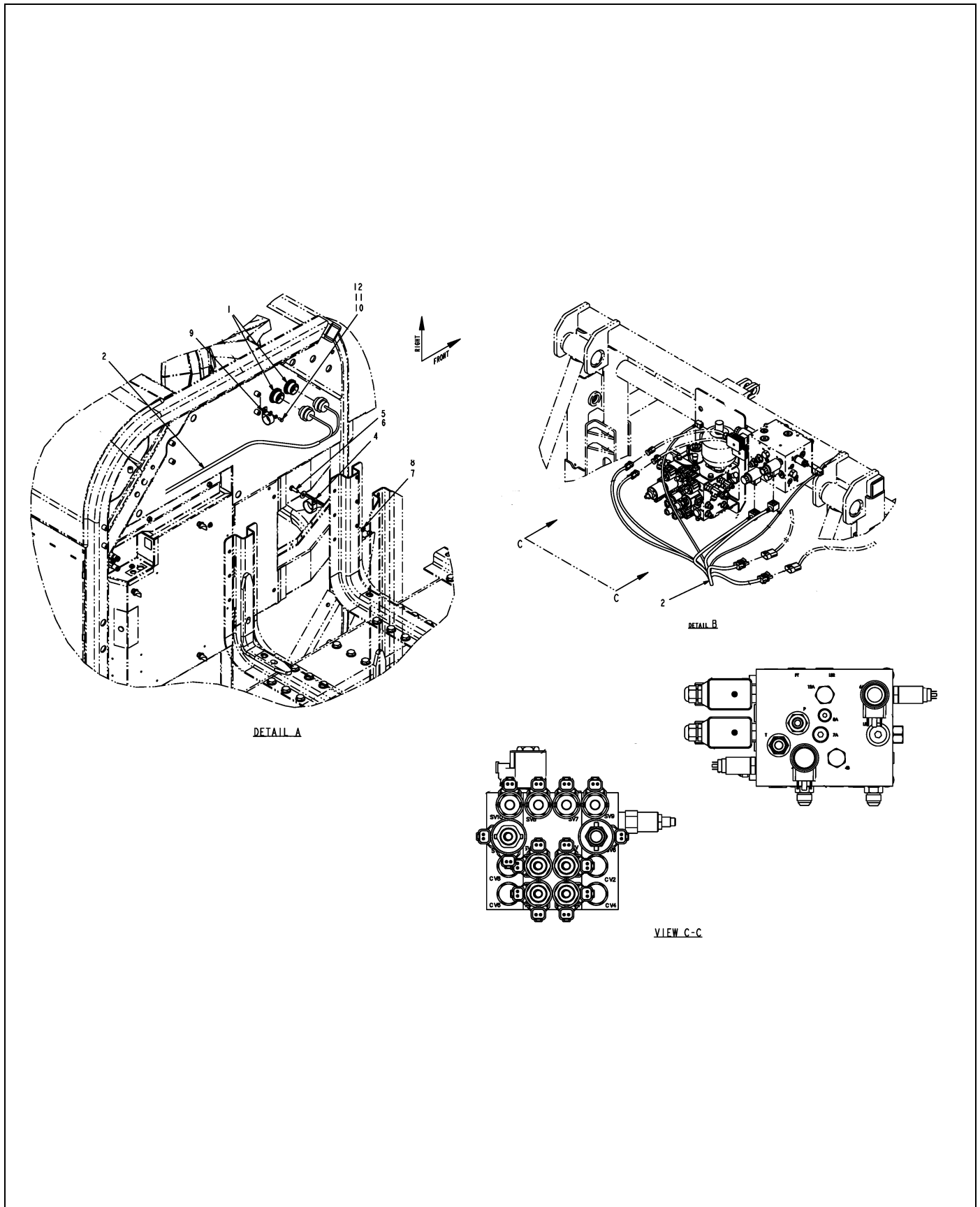
ITEM	PART #	QTY	DESCRIPTION	COMMENTS
1	512869D1	1	HARNESS-SWITCH,SEALED,DPDT	



513224D1-01-N655-01.TIF

HARN INSTL-CTRL,SYS,G2

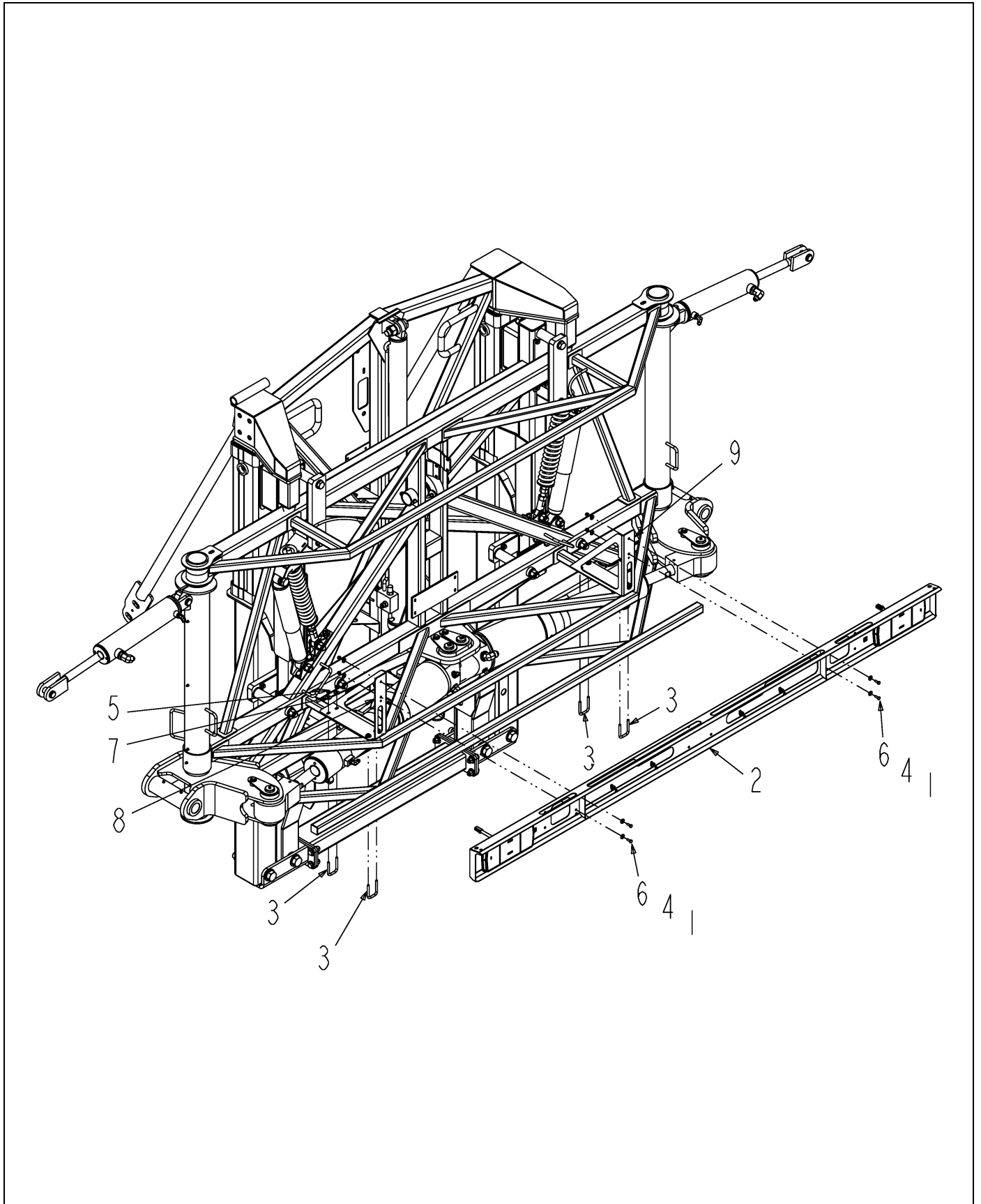
ITEM	PART #	QTY	DESCRIPTION	COMMENTS
2	506899D1	1	HARN-CTRL,SYS,AUTOBOOM,G2	
3	AG553557	AR	TIE CABLE 7.37 .06-1.37 BLACK	



513224D1-01-N655-02.tif

HARN INSTL-CTRL,SYS,G2

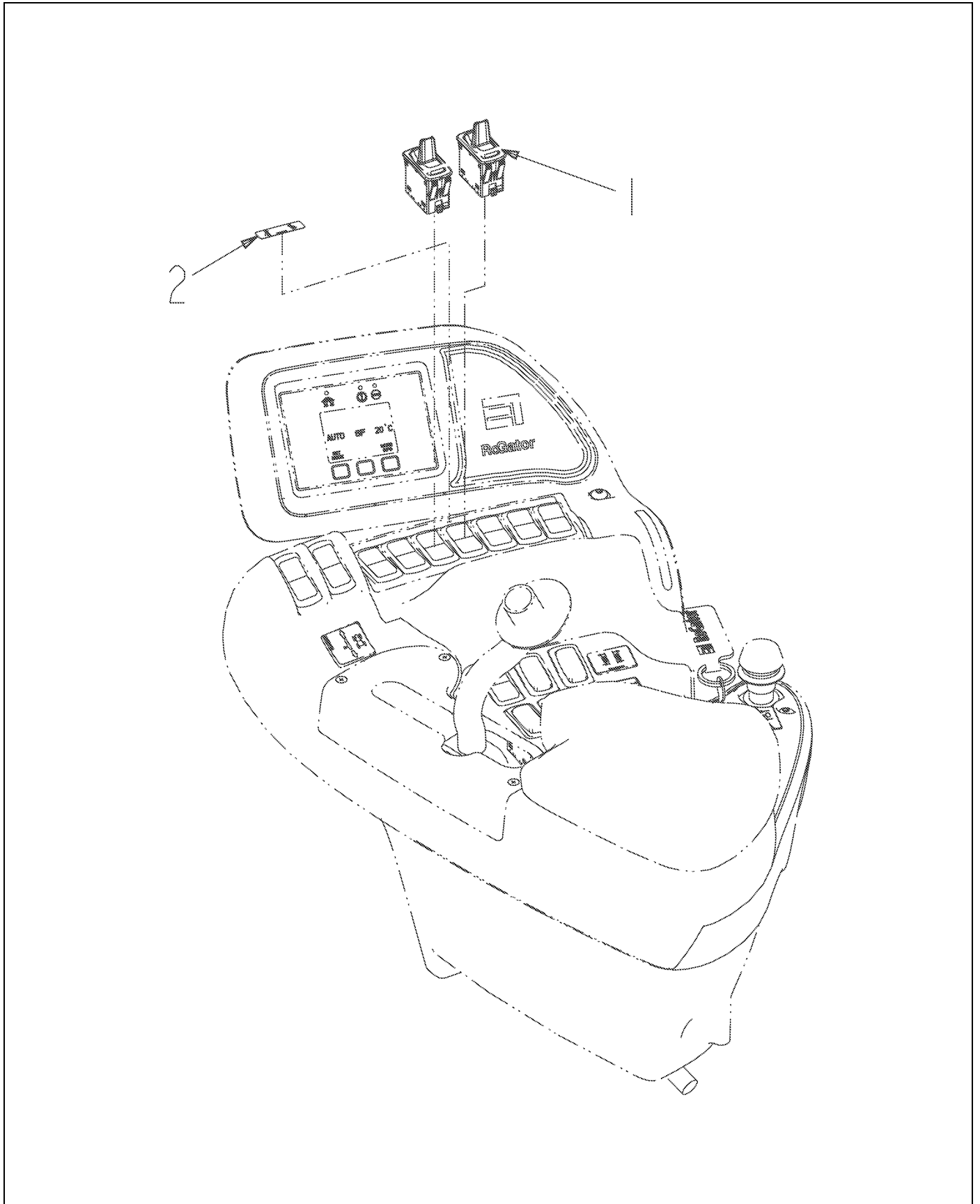
ITEM	PART #	QTY	DESCRIPTION	COMMENTS
1	506892D1	-	HARN-CTRL,CAB,AUTOBOOM,G2	
2	506899D1	1	HARN-CTRL,SYS,AUTOBOOM,G2	
4	AG523412	1	CLAMP-1.62 DIA,COATED HOSE	
5	AG550175	1	BOLT 0.37-16NCX 1.00 G5 ZN HHD	
6	AG551007	1	WASHER 0.37 FL ZN REG TYPE-B	
7	AG550191	1	WASHER 0.37 LK ZN REG	
8	AG550825	1	NUT 0.37-16NC HEX ZN REG	
9	AG519751	1	CLAMP 1.38 DIA COATED HOSE	
10	AG562639	1	BOLT M6 1.00X12MM G8.8 ZN HHD	
11	AG562792	1	WASHER LOCK M6 SPRING ZN	
12	AG523088	1	WASHER-FLAT,M6,ZN,16MM OD	



514990D1-01-N980-.TIF

LIGHT INSTL-TAIL,LED,LIQ,120

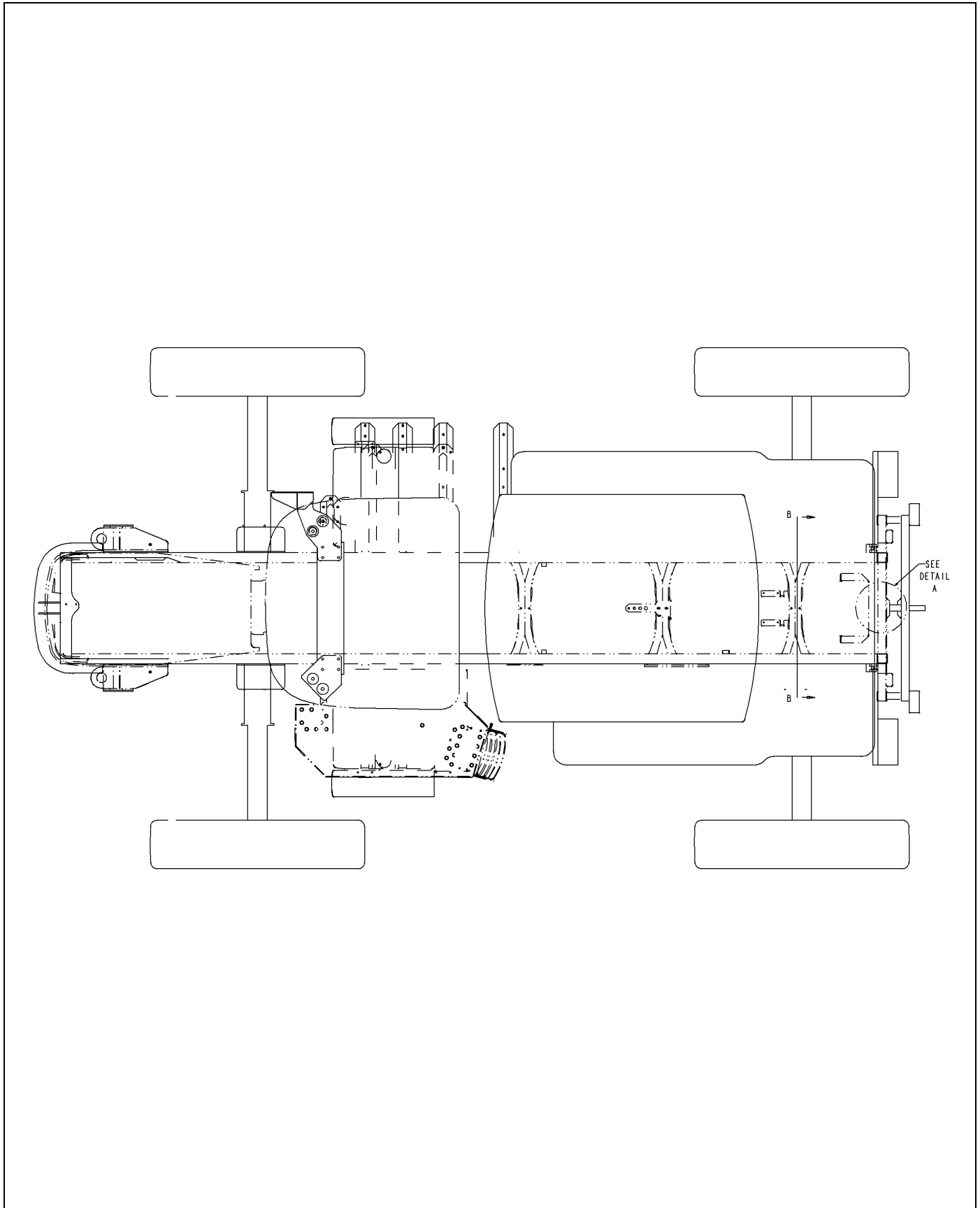
ITEM	PART #	QTY	DESCRIPTION	COMMENTS
1	AG027275	4	NUT 0.25-20NC HEX SS REG NY	
2	AG130567	1	BRKT ASM-MTG,TAILLIGHT	SEE PAGE 6-21
3	AG231204	4	BOLT-U .31-18X1.88X2.63	
4	AG515121	8	WASHER 0.25 FL SS REG TYPE-B	
5	AG516403	8	NUT 0.31-18NC HEX SS REG NY	
6	AG562054	4	BOLT 0.25-20NCX 0.75 SS HHD	
7	AG562074	8	WASHER 0.31 FL SS REG TYPE-B	
8	514991D1	1	BRKT-MTG,TLLT,LH	
9	514992D1	1	BRKT-MTG,TLLT,RH	



136178-02-N507-.TIF

SWITCH-INSTL,ER

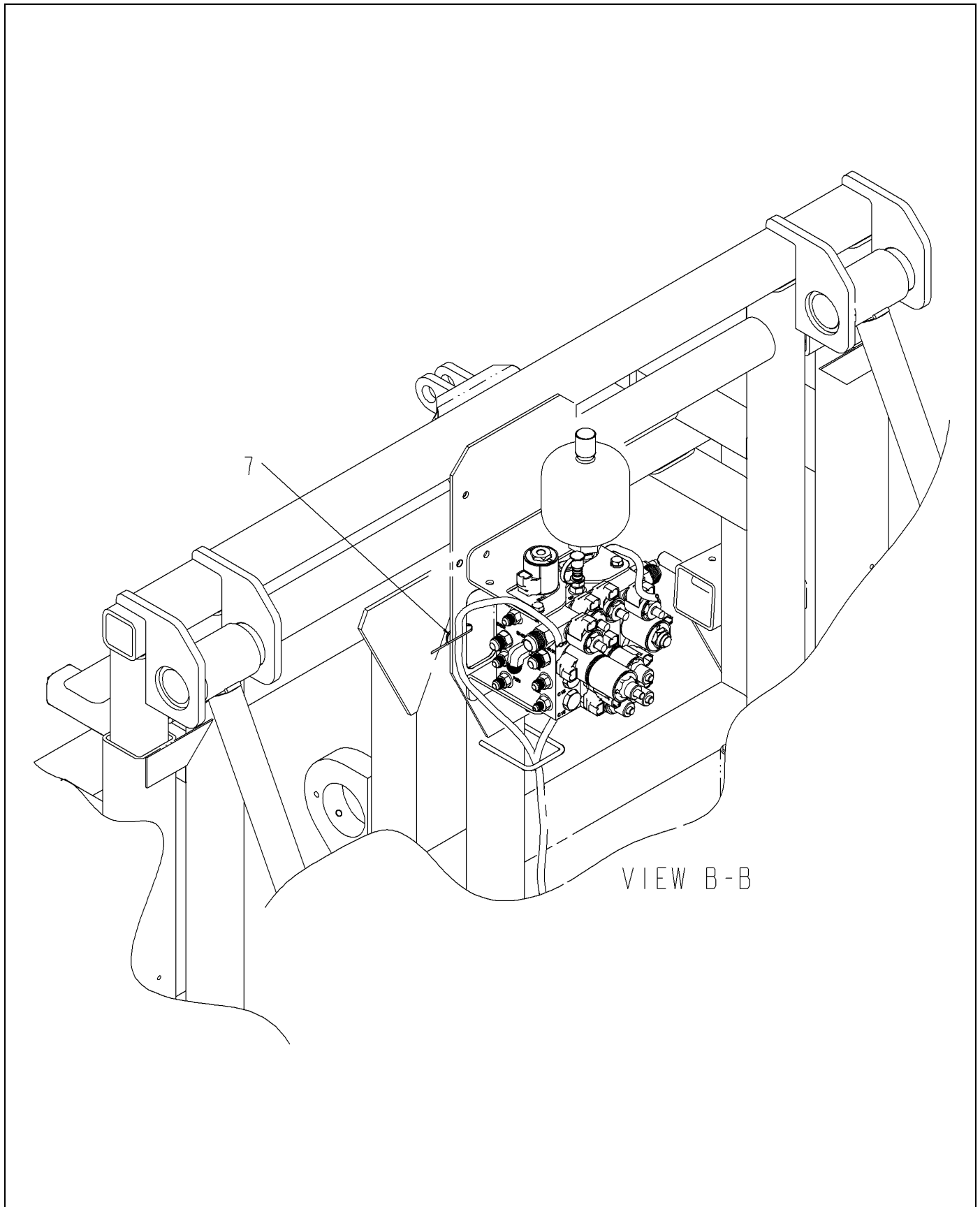
ITEM	PART #	QTY	DESCRIPTION	COMMENTS
1	AG124433	2	SWITCH-PDL,OFF-ON,W/LT,CS-L	
2	504956D1	1	DECAL-SWITCH,END ROW	



505232D1-04-R468-01.TIF

HARNESS INSTL-B/M,RG

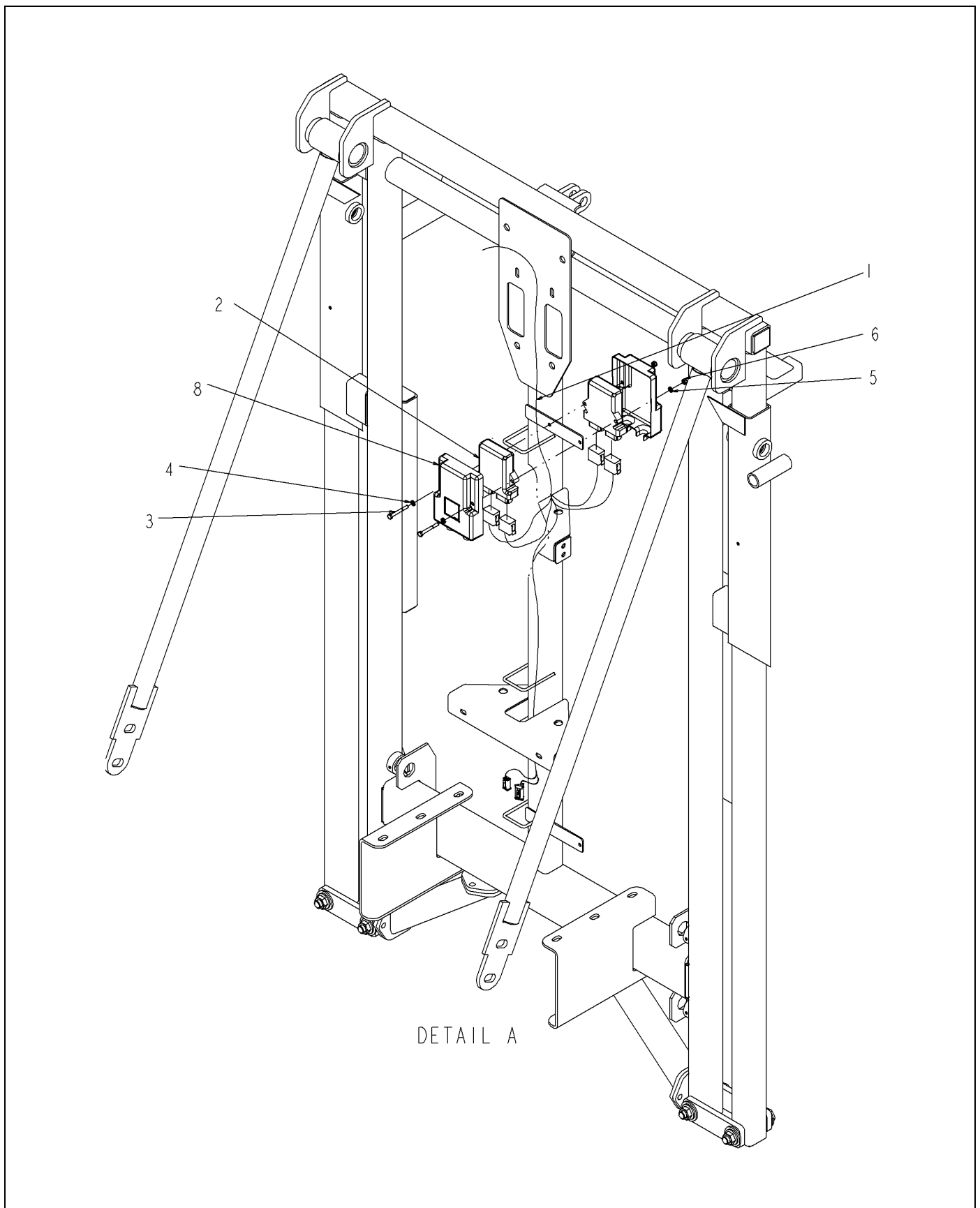
ITEM	PART #	QTY	DESCRIPTION	COMMENTS
REF			DETAIL IMAGE, PLEASE REFER TO RELATED PAGES FOR MORE INFORMATION	



505232D1-04-R468-02.TIF

HARNESS INSTL-B/M,RG

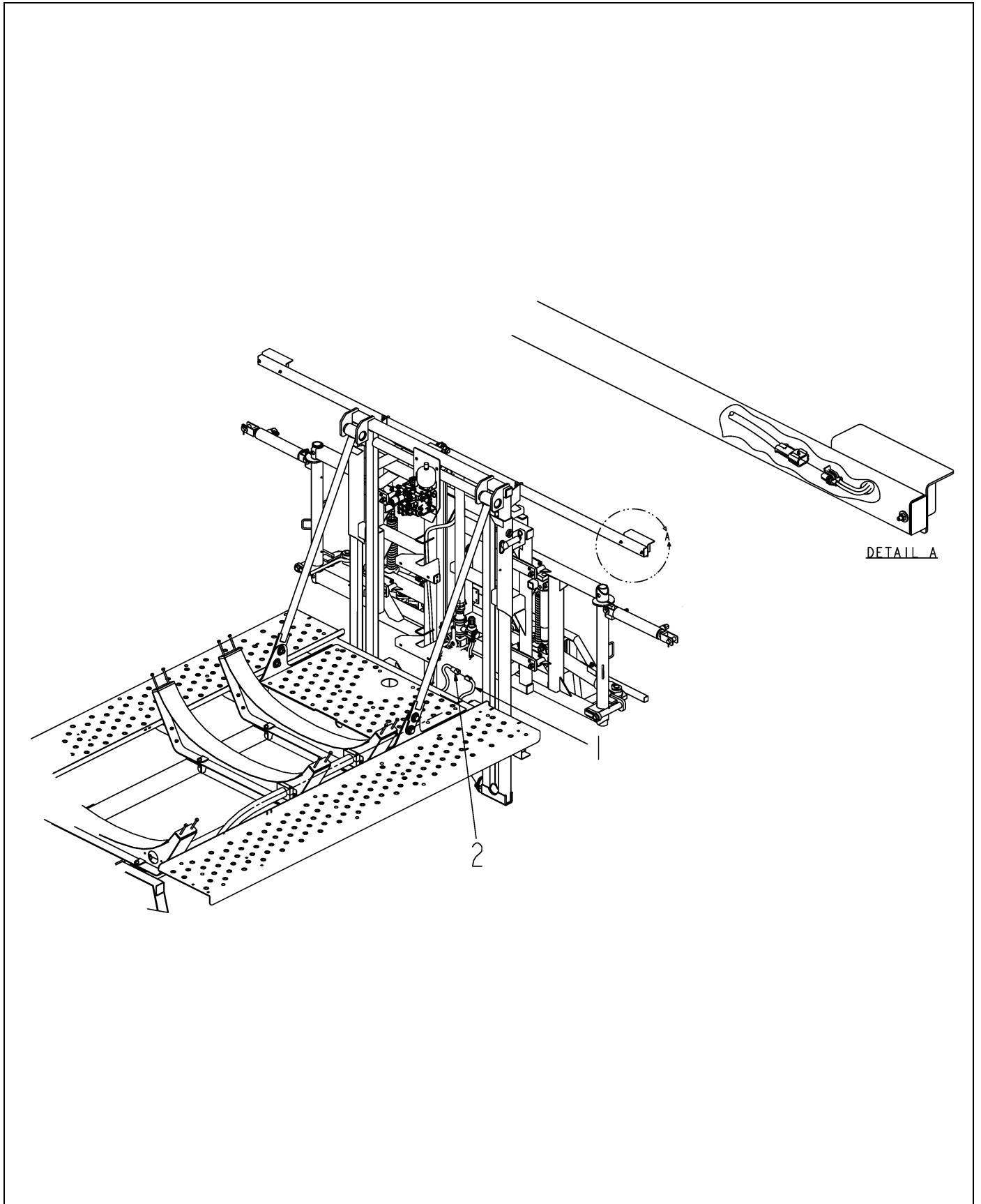
ITEM	PART #	QTY	DESCRIPTION	COMMENTS
7	AG554278	2	TIE CABLE 11.0 .06-3.06 BLACK	



505232D1-04-R468-03.TIF

HARNESSTL-B/M,RG

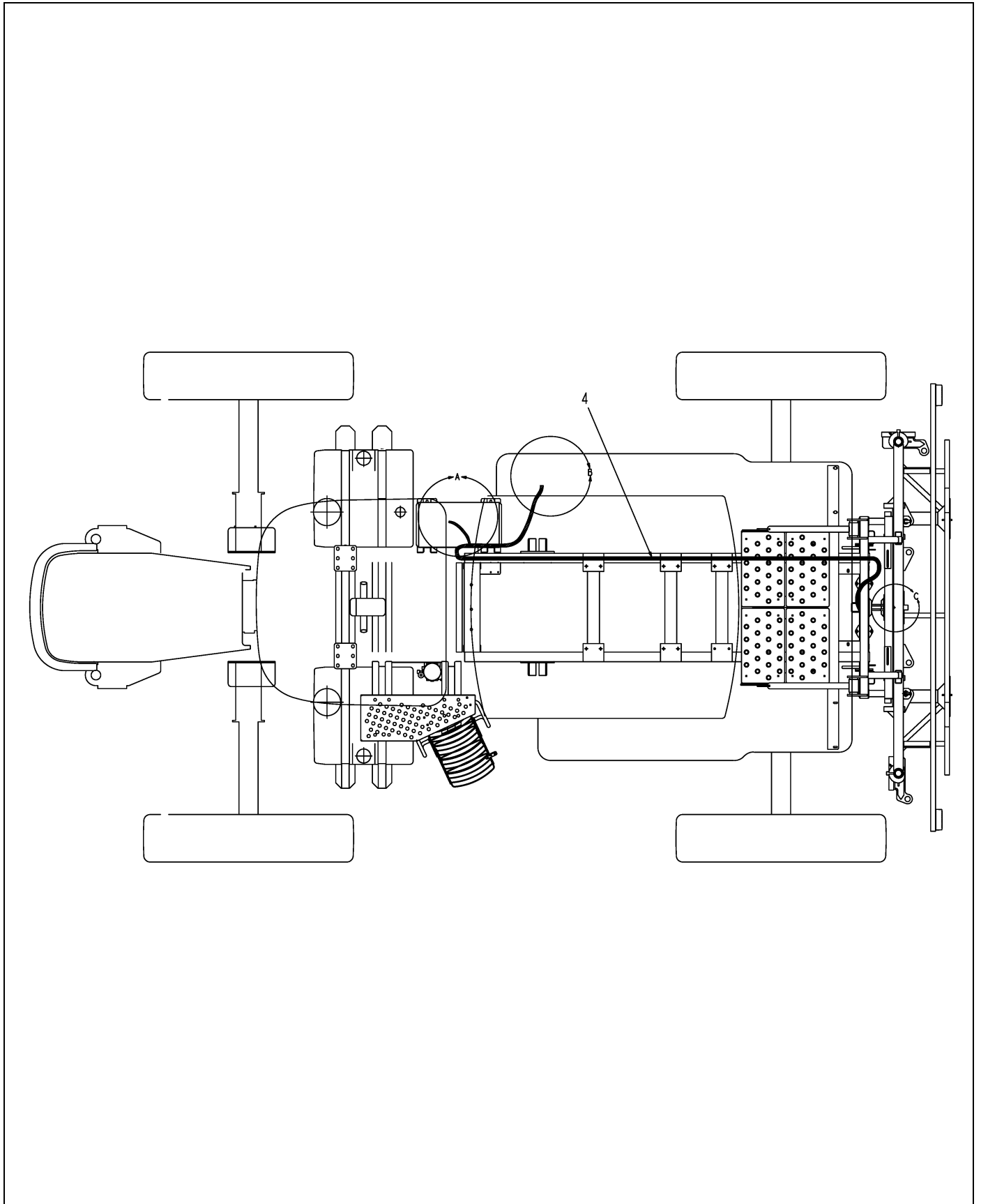
ITEM	PART #	QTY	DESCRIPTION	COMMENTS
1	505109D1	1	HARNESSTL-B/M MOTION,RG	
2	516006D1	2	MODULE ASM-I/O,CAN	
3	AG562136	2	BOLT 0.25-20NCX 2.25 SS HHD	
4	AG517724	2	WASHER FLAT NARROW	
5	AG515122	2	WASHER 0.25 LK SS REG	
6	AG515123	2	NUT 0.25-20NC HEX SS REG	
8	520331D1	8	COVER-I/O ASM.	



505426D1-01-M738-.TIF

HARN INSTL-AFWL,LIQ SYS

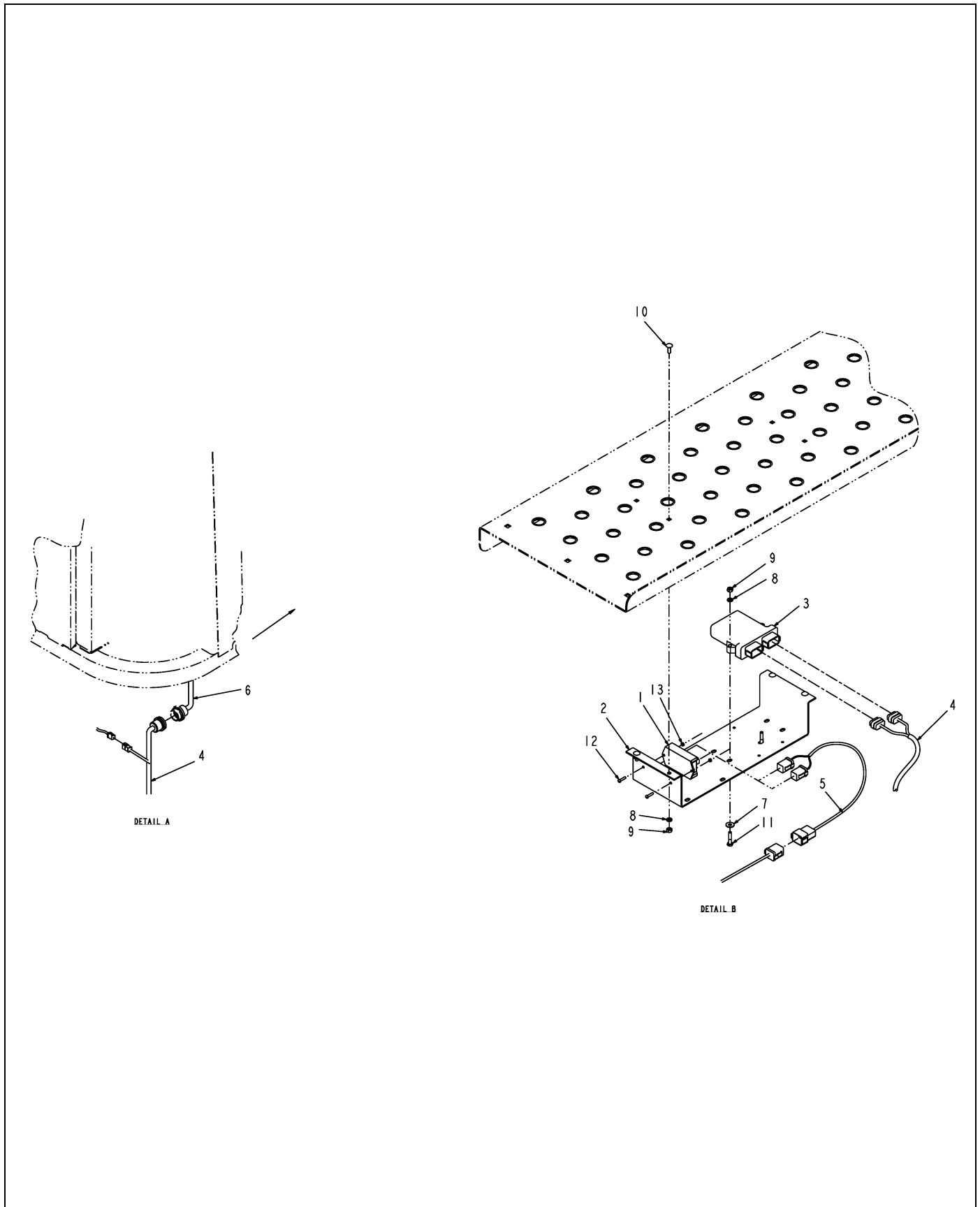
ITEM	PART #	QTY	DESCRIPTION	COMMENTS
1	505110D1	-	HARNES-PROD CONT.RG	
2	505467D1	1	HARNES-AFWL,LIQ,RG,06	



511818D1-02-N740-01.TIF

ELEC INSTL-SYS, RG LIQ, RVN

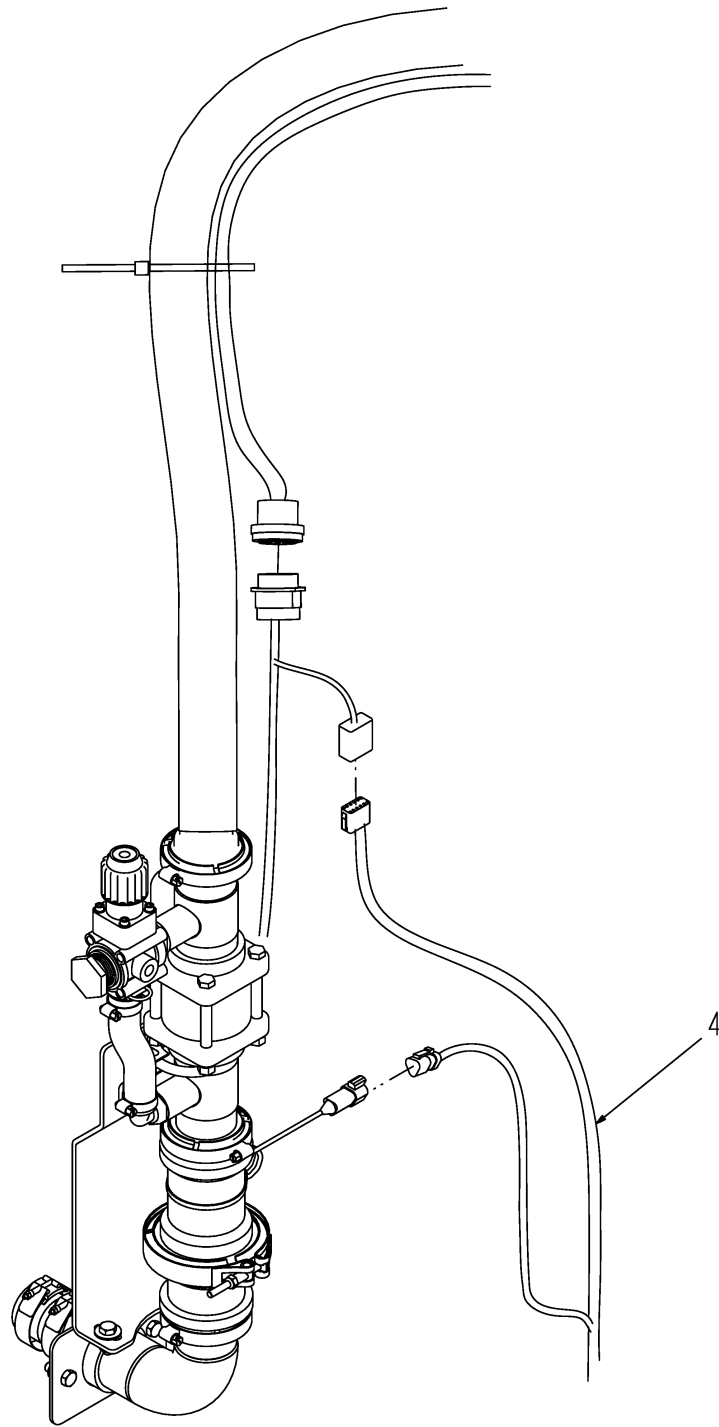
ITEM	PART #	QTY	DESCRIPTION	COMMENTS
4	AG131407	1	HARNES- RG, LIQ SYS, VIPER	



511818D1-02-N740-02.TIF

ELEC INSTL-SYS, RG LIQ, RVN

ITEM	PART #	QTY	DESCRIPTION	COMMENTS
1	AG121750	1	MODULE-RELAY,2 PACK	
2	AG122310	1	BRKT-MTG,NODE/TOGGLE BOX	
3	AG126234	1	NODE-SINGLE PRODUCT,PWM	
4	AG131407	1	HARNESS-RG,LIQ SYS,VIPER	
5	511801D1	1	HARNESS-ADAPTER,RVN,RG	
6	512220D1	-	HARNESS-NODE,BOOM/SPEED,RVN	
7	AG515121	2	WASHER 0.25 FL SS REG TYPE-B	
8	AG515122	6	WASHER 0.25 LK SS REG	
9	AG515123	6	NUT 0.25-20NC HEX SS REG	
10	AG523491	4	BOLT 0.25-20NCX 0.75 SS CRG	
11	AG561952	2	BOLT 0.25-20NCX 1.25 SS HHD	
12	AG562067	2	SCREW 8-32X 0.75 MA SS SL RHD	
13	AG563176	2	NUT #8-32NC HEX SS REG NY	

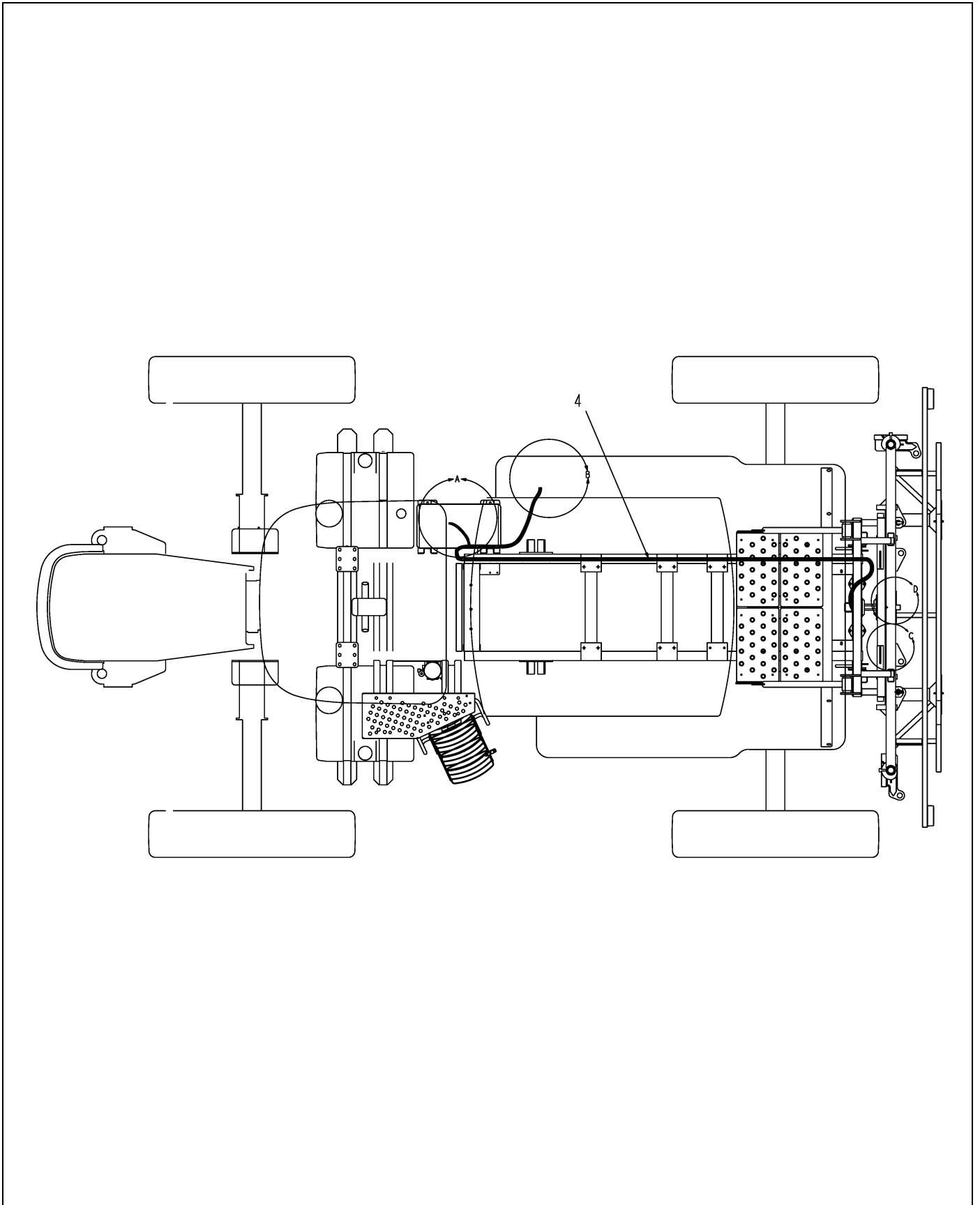


DETAIL C

511818D1-02-N740-03.TIF

ELEC INSTL-SYS,RG LIQ,RVN

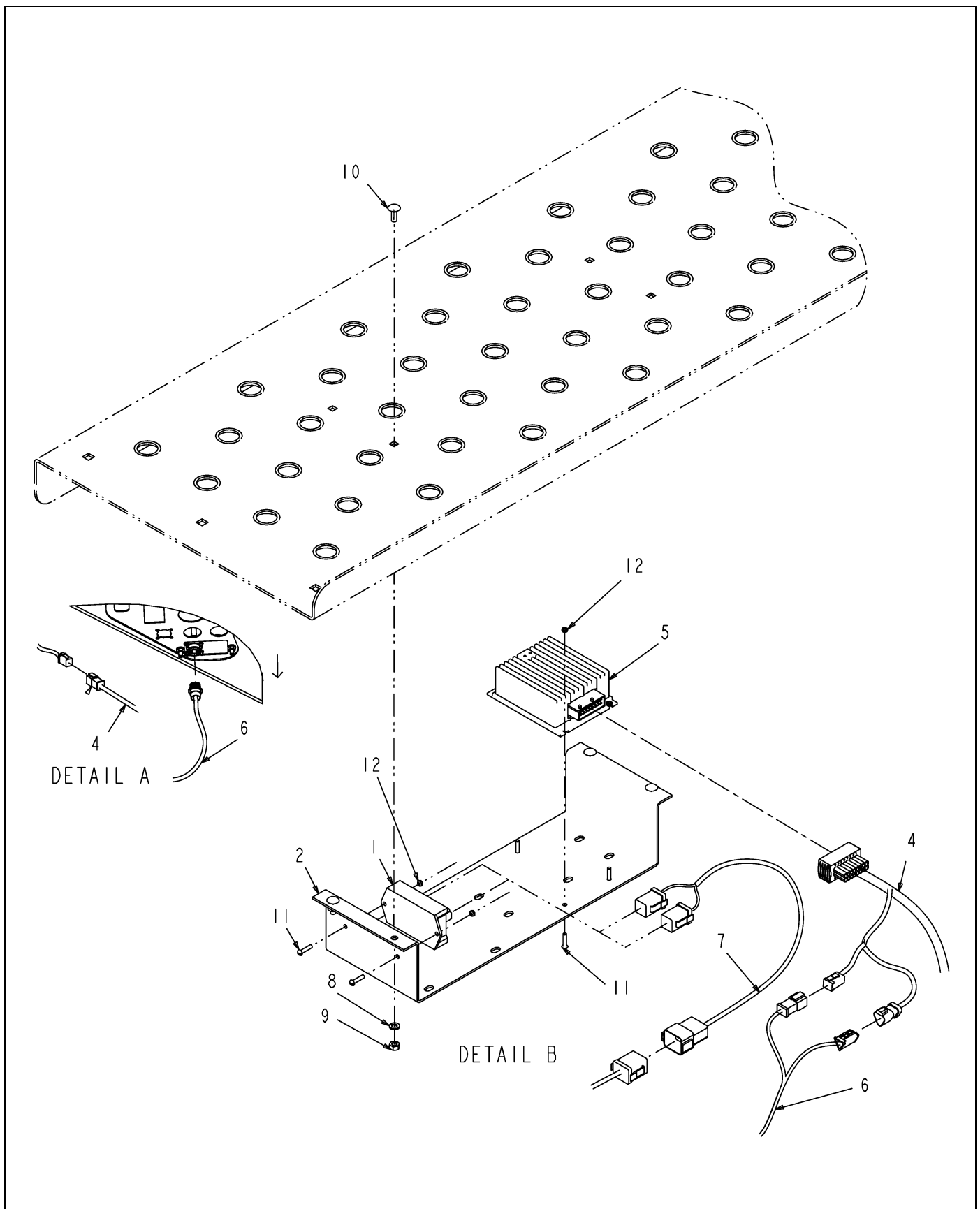
ITEM	PART #	QTY	DESCRIPTION	COMMENTS
4	AG131407	1	HARNESS-RG,LIQ SYS,VIPER	



511819D1-02-R100-01.TIF

ELEC INSTL-SYS, RG LIQ, GTA

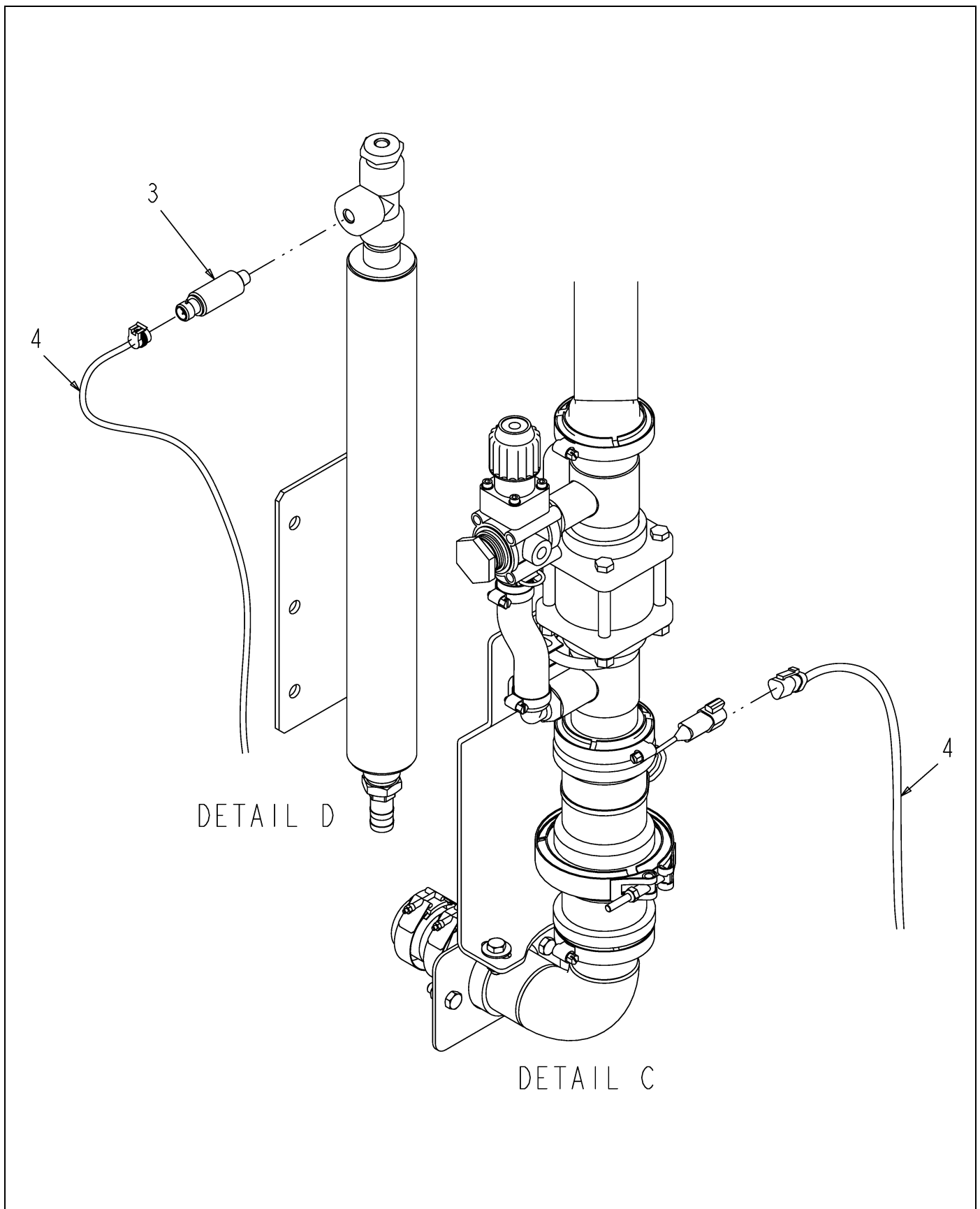
ITEM	PART #	QTY	DESCRIPTION	COMMENTS
4	505558D1	1	HARNES-NODE,VT, RG LIQ	



511819D1-02-R100-02.TIF

ELEC INSTL-SYS, RG LIQ, GTA

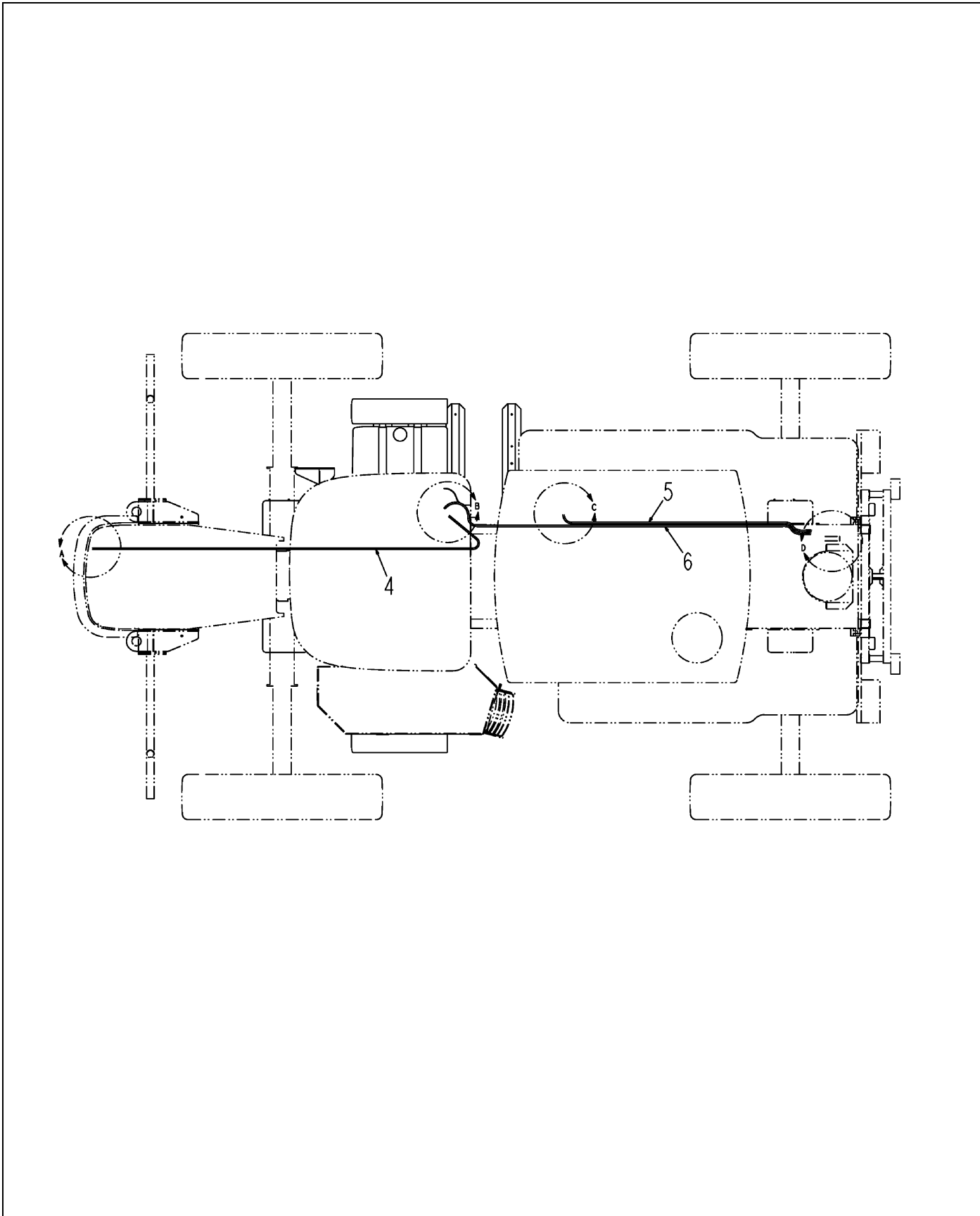
ITEM	PART #	QTY	DESCRIPTION	COMMENTS
1	AG121750	1	MODULE-RELAY,2 PACK	
2	AG122310	1	BRKT-MTG,NODE/TOGGLE BOX	
4	505558D1	1	HARNESS-NODE,VT, RG LIQ	
5	505581D1	1	NODE-MICRO,ESX	
6	507308D1	1	HARNESS-CAN/PWR, 12 FT	
7	511802D1	1	HARNESS-ADAPTER,GTA, RG	
8	AG515122	4	WASHER 0.25 LK SS REG	
9	AG515123	4	NUT 0.25-20NC HEX SS REG	
10	AG523491	4	BOLT 0.25-20NCX 0.75 SS CRG	
11	AG562067	2	SCREW 8-32X 0.75 MA SS SL RHD	
12	AG563176	5	NUT #8-32NC HEX SS REG NY	



511819D1-02-R100-03.TIF

ELEC INSTL-SYS,RG LIQ,GTA

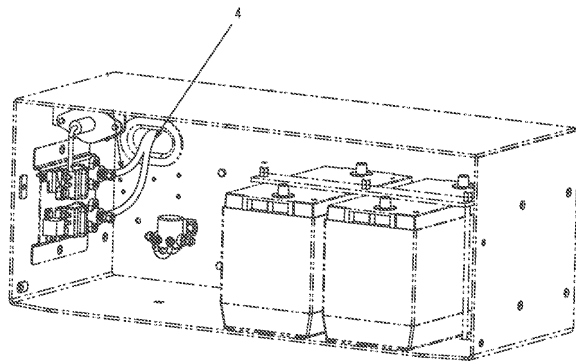
ITEM	PART #	QTY	DESCRIPTION	COMMENTS
3	517404D1	1	TRANSDUCER-PRESS,0-150PSI,1-5V	
4	505558D1	1	HARNESS-NODE,VT,RG LIQ	



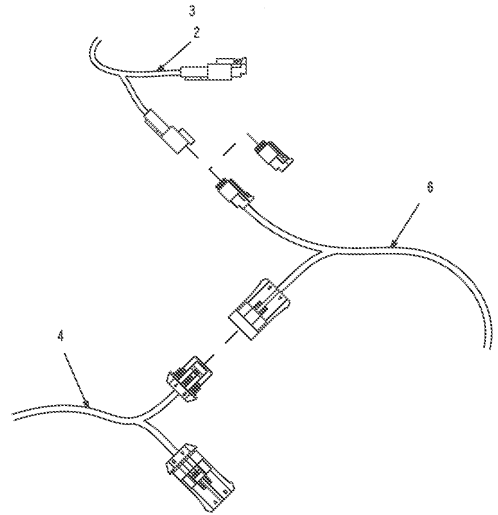
511926D1-01-N484-01.TIF

SYS INSTL-INJ,LOOP 1,RVN,RG

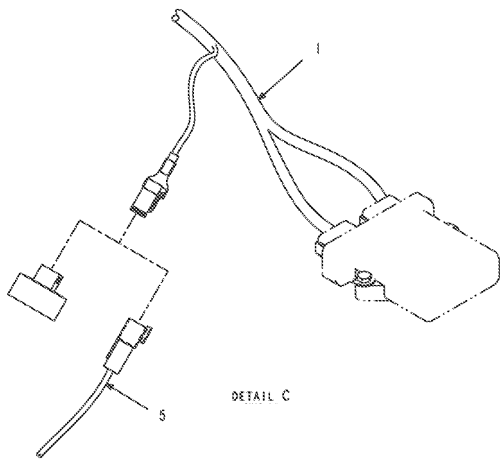
ITEM	PART #	QTY	DESCRIPTION	COMMENTS
4	511928D1	1	HARNESS-PWR/GND,INJ,RG	
5	511930D1	1	HARNESS-CAN,RAVEN,18 FT EXT	
6	511931D1	1	HARNESS-PWR,NODE/INJ PUMP,RVN	



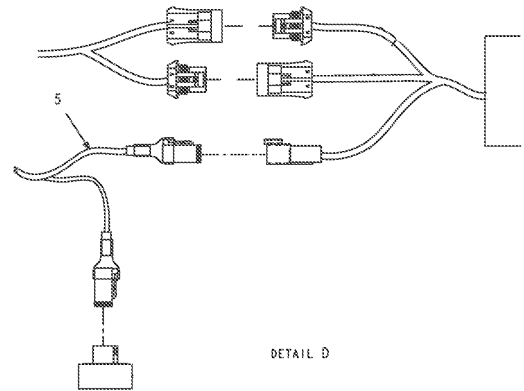
DETAIL A



DETAIL B



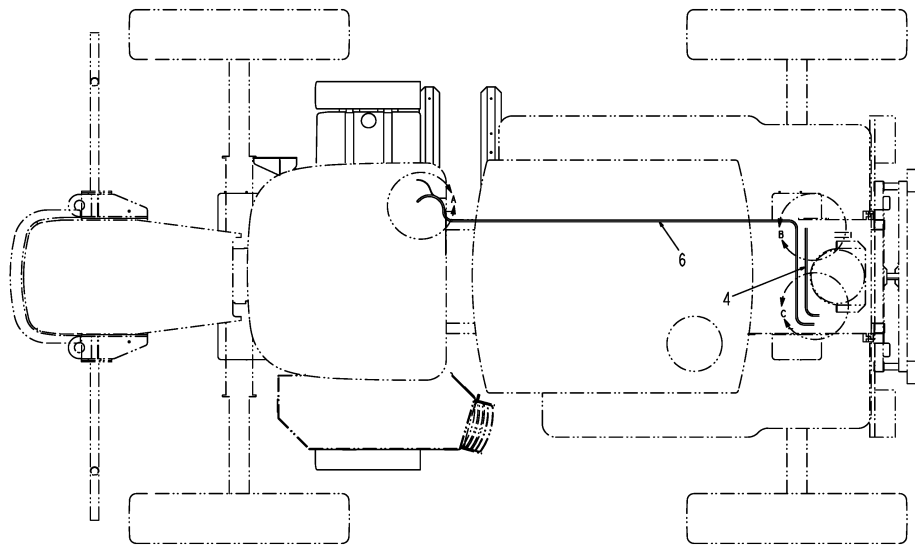
DETAIL C



DETAIL D

SYS INSTL-INJ,LOOP 1,RVN,RG

ITEM	PART #	QTY	DESCRIPTION	COMMENTS
1	AG131407	-	HARNESS-RG,LIQ SYS,VIPER	
2	503993D1	-	HARNESS-ENG ELECTRONICS,CHAS	
3	511924D1	-	HARNESS-PWR/GND,OPT,RG	
4	511928D1	1	HARNESS-PWR/GND,INJ,RG	
5	511930D1	1	HARNESS-CAN,RAVEN,18 FT EXT	
6	511931D1	1	HARNESS-PWR,NODE/INJ PUMP,RVN	

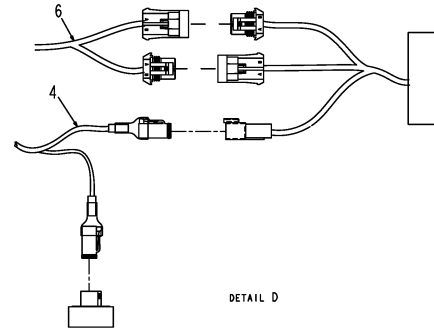
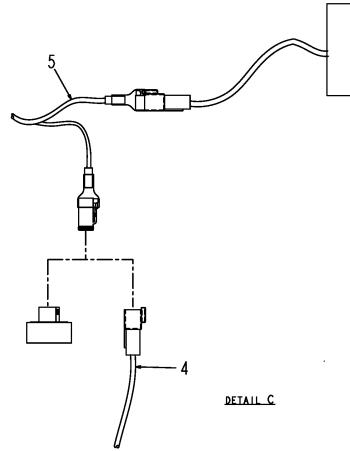
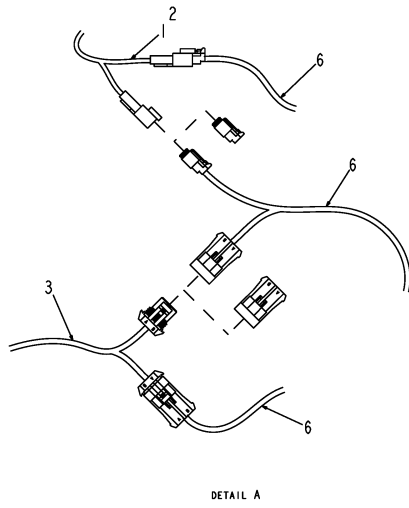


511927D1-01-N484-01.TIF

SYS INSTL-INJ,LOOP 2,RVN,RG

ITEM	PART #	QTY	DESCRIPTION	COMMENTS
4	511929D1	1	HARNES-CAN,RAVEN,6 FT EXT	
6	511931D1	1	HARNES-PWR,NODE/INJ PUMP,RVN	

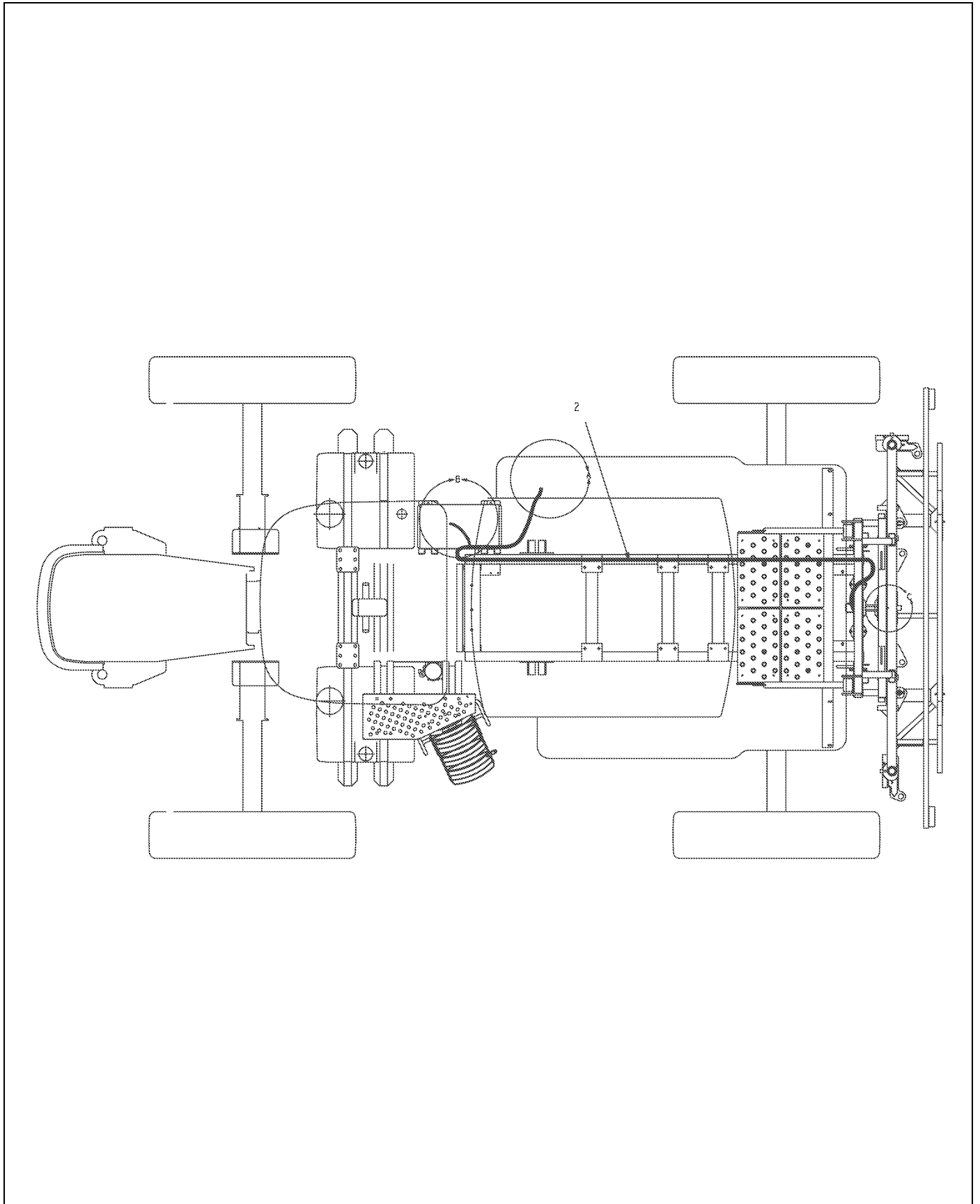
SYS INSTL-INJ,LOOP 2,RVN,RG



511927D1-01-N484-02.TIF

SYS INSTL-INJ,LOOP 2,RVN,RG

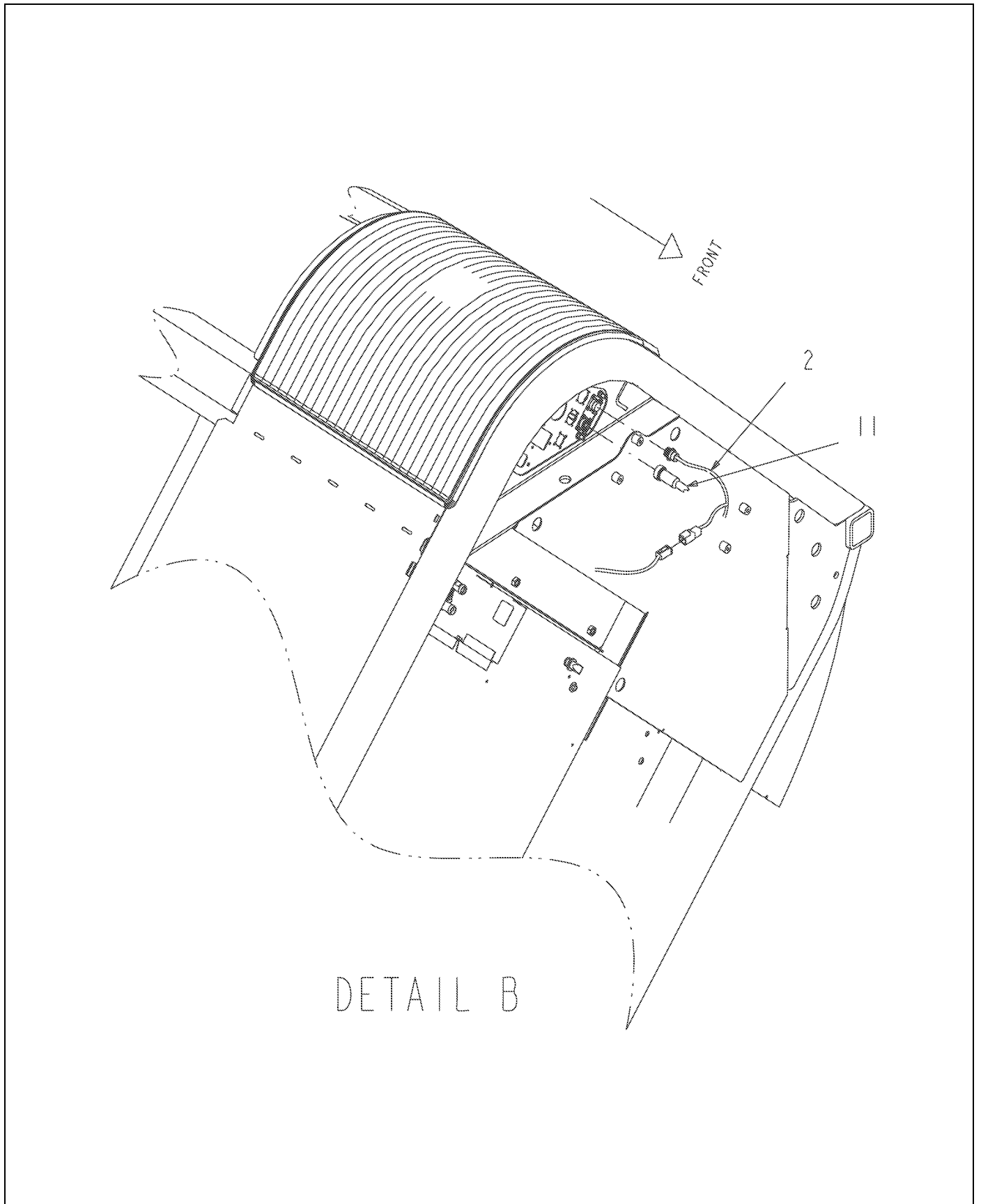
ITEM	PART #	QTY	DESCRIPTION	COMMENTS
1	503993D1	-	HARNESS-ENG ELECTRONICS,CHAS	
2	511924D1	-	HARNESS-PWR/GND,OPT,RG	
3	511928D1	1	HARNESS-PWR/GND,INJ,RG	
4	511929D1	1	HARNESS-CAN,RAVEN,6 FT EXT	
5	511930D1	1	HARNESS-CAN,RAVEN,18 FT EXT	
6	511931D1	1	HARNESS-PWR,NODE/INJ PUMP,RVN	



512486D1-02-N992-01.TIF

ELEC INSTL-SYS RG,LIQ,FLCN

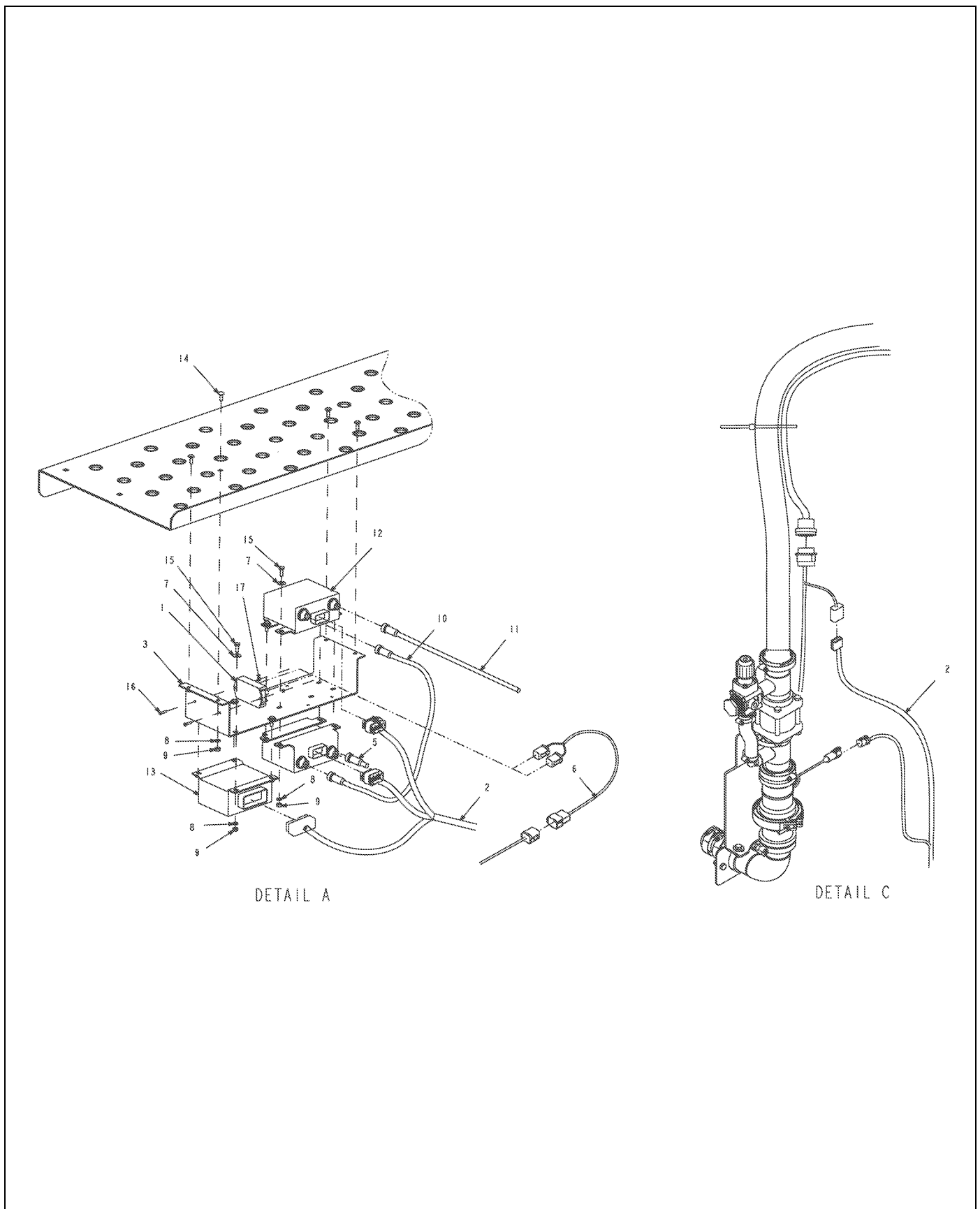
ITEM	PART #	QTY	DESCRIPTION	COMMENTS
2	AG122288	1	HARNES-FLCN II(SYS)	
4	AG123003	1	SOFTWARE INSTL-INI,PWM LIQUID	



512486D1-02-N992-02.TIF

ELEC INSTL-SYS RG,LIQ,FLCN

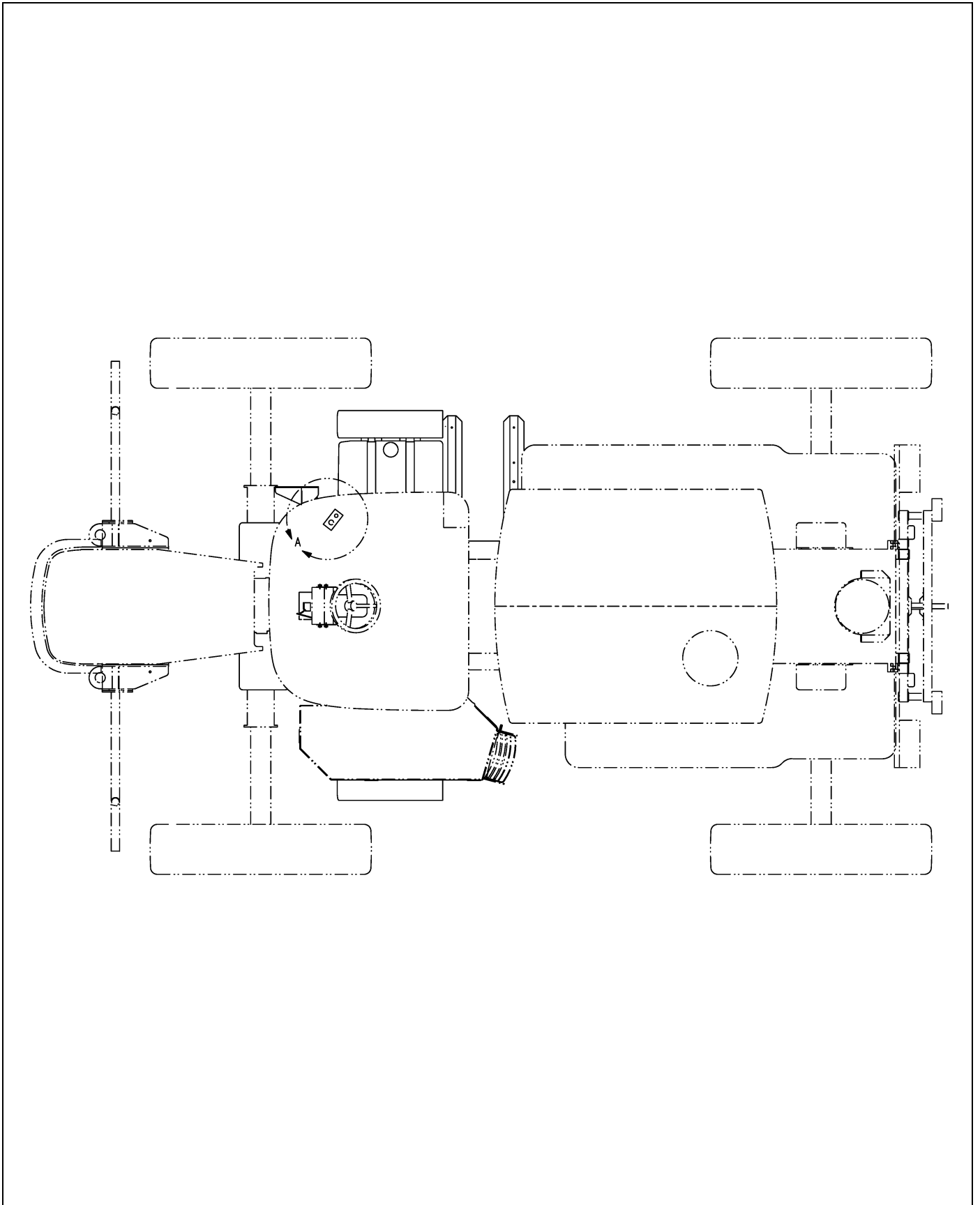
ITEM	PART #	QTY	DESCRIPTION	COMMENTS
2	AG122288	1	HARNES-FLCN II(SYS)	
11	AG519088	1	CABLE,ELECTRICAL 4-P 12 FT LONG	



512486D1-02-N992-03.TIF

ELEC INSTL-SYS RG,LIQ,FLCN

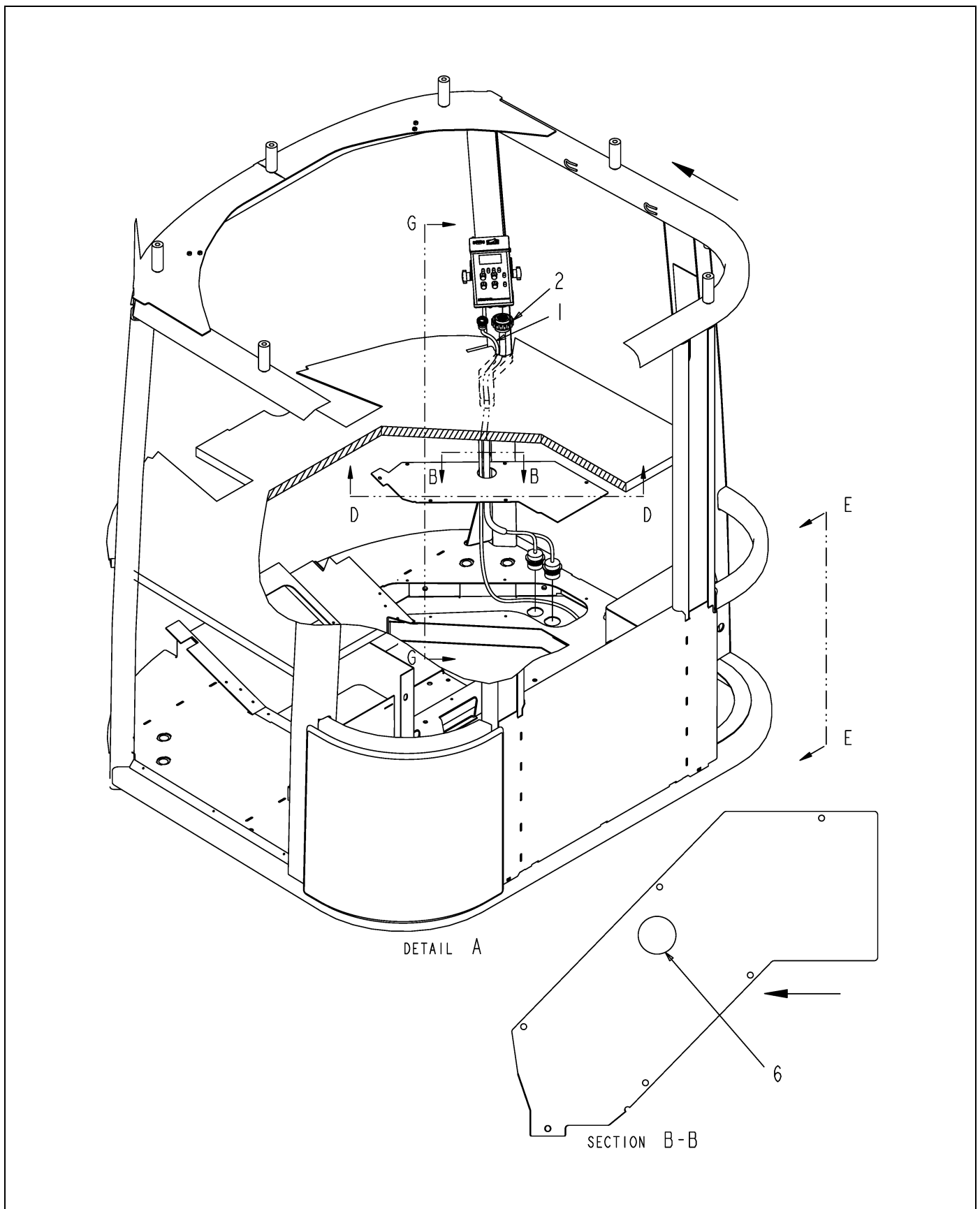
ITEM	PART #	QTY	DESCRIPTION	COMMENTS
1	AG121750	1	MODULE-RELAY,2 PACK	
2	AG122288	1	HARNESS-FLCN II(SYS)	
3	AG122310	1	BRKT-MTG,NODE/TOGGLE BOX	
5	AG232935	1	TERMINATOR ASM FALCON	
6	511801D1	1	HARNESS-ADAPTER,RVN,RG	
7	AG515121	8	WASHER 0.25 FL SS REG TYPE-B	
8	AG515122	12	WASHER 0.25 LK SS REG	
9	AG515123	12	NUT 0.25-20NC HEX SS REG	
10	AG519086	1	CABLE ELEC 4-P 3 FT FALCON	
11	AG519088	1	CABLE,ELECTRICAL 4-P 12 FT LONG	
12	AG519463	2	NODE BOX ASM FALCON CONTROL	
13	AG521476	1	BOX-CONT,TOGGLE SECT,FLCN	
14	AG523491	4	BOLT 0.25-20NCX 0.75 SS CRG	
15	AG562054	8	BOLT 0.25-20NCX 0.75 SS HHD	
16	AG562067	2	SCREW 8-32X 0.75 MA SS SL RHD	
17	AG563176	2	NUT #8-32NC HEX SS REG NY	



513223D1-01-N655-01.TIF

HARN INSTL-PWR/CTRL,CAB,G2

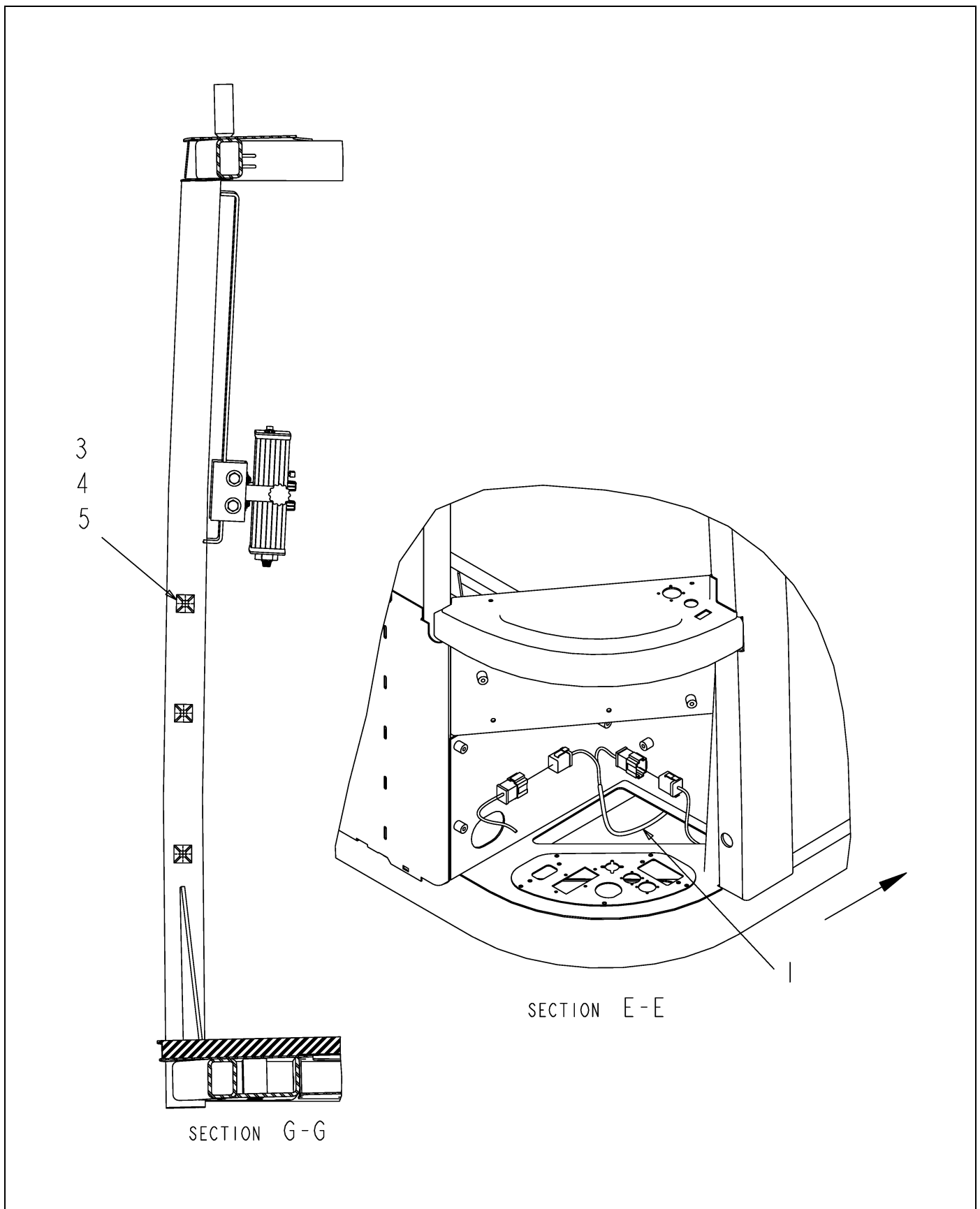
ITEM	PART #	QTY	DESCRIPTION	COMMENTS
REF			DETAIL IMAGE, PLEASE REFER TO RELATED PAGES FOR MORE INFORMATION	



513223D1-01-N655-02.TIF

HARN INSTL-PWR/CTRL,CAB,G2

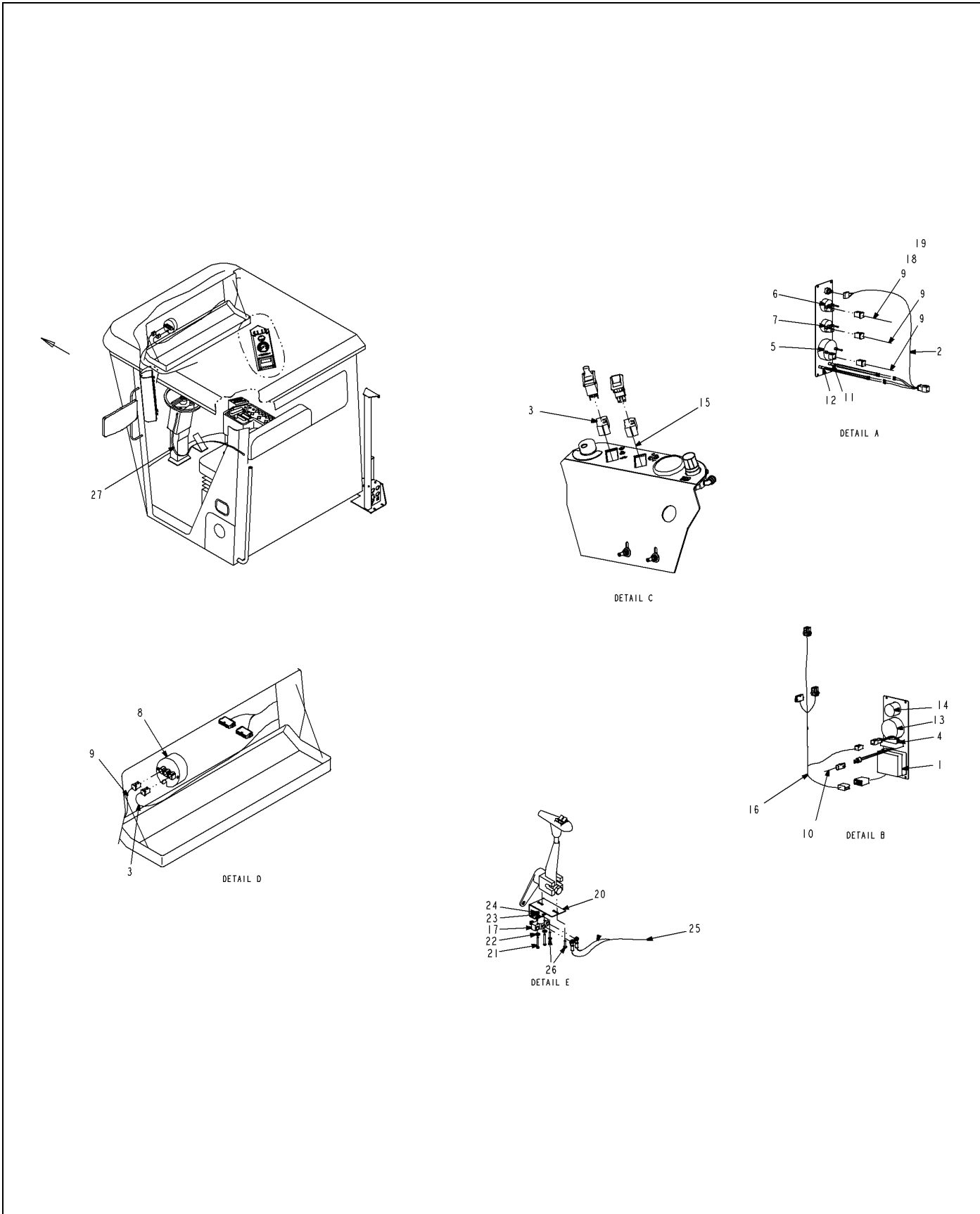
ITEM	PART #	QTY	DESCRIPTION	COMMENTS
1	508618D1	1	HARN-PWR,AUTOBOOM,UPGRADE CAB	
2	506892D1	1	HARN-CTRL,CAB,AUTOBOOM,G2	
6	AG513654	-	EDGE LINER .19 IN TK MAT PVC [BULK: 0.542 FT]	



513223D1-01-N655-03.TIF

HARN INSTL-PWR/CTRL,CAB,G2

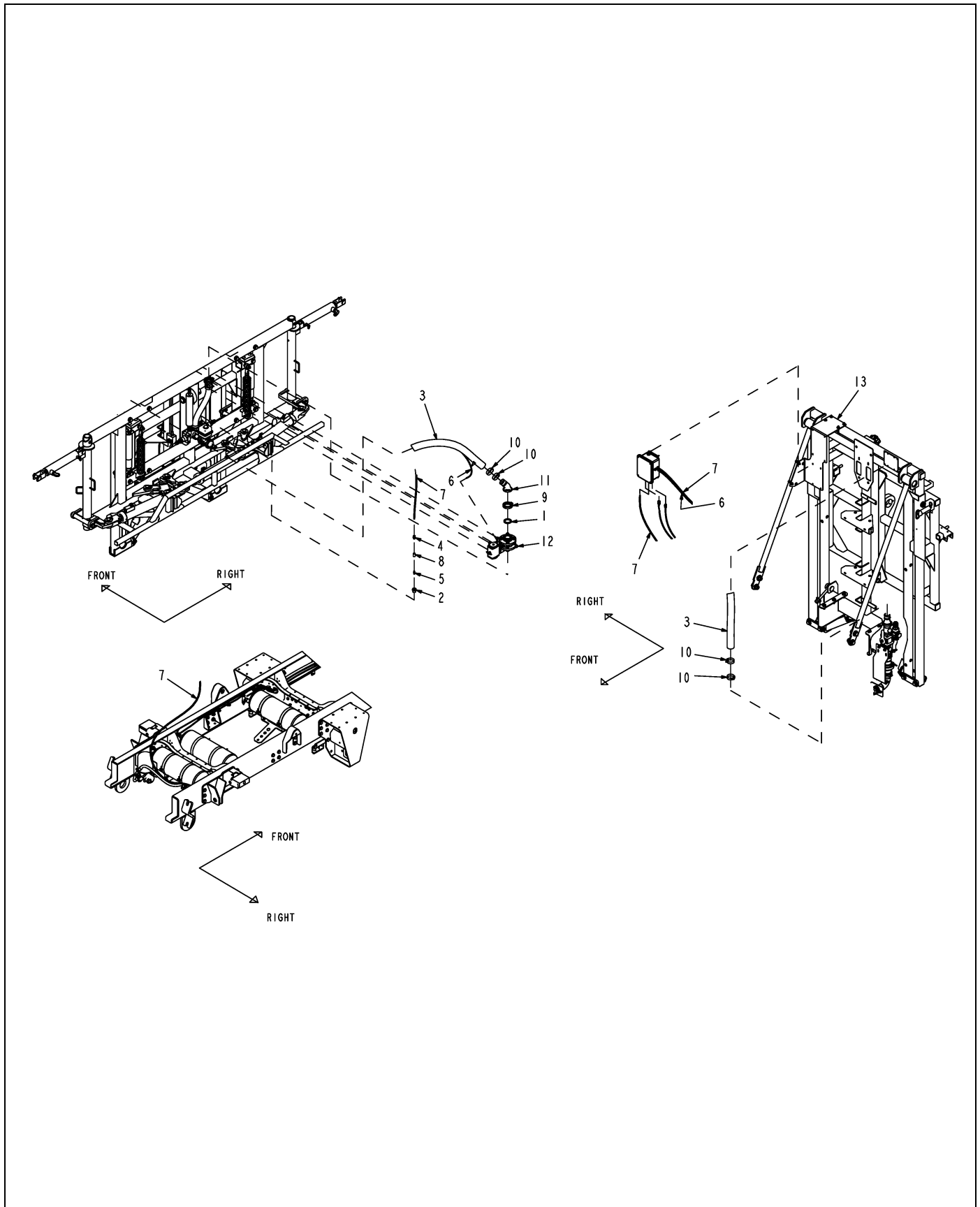
ITEM	PART #	QTY	DESCRIPTION	COMMENTS
1	508618D1	1	HARN-PWR,AUTOBOOM,UPGRADE CAB	
3	AG553557	3	TIE CABLE 7.37 .06-1.37 BLACK	
4	AG517942	3	MOUNT WIRE TIE ADHESIVE B 4WAY	
5	AG519190	AR	ADHESIVE HOT MELT	



521071D1-01-R086-.TIF

ITEM	PART #	QTY	DESCRIPTION	COMMENTS
1	AG121752	-	DISPLAY-RADAR SPEED,DJ CIP	
2	AG121970	1	HARNES-WARNING,LIGHTS	
3	AG121716	-	HARNES-ENGINE ELECTRONICS,CH	
4	AG122134	-	VALVE POSITION INDICATOR	
5	AG122002	-	GAUGE-RPM,CAT	
6	AG122003	-	GAUGE-TEMP,CAT	
7	AG122004	-	GAUGE-PRESS,CAT	
8	AG122005	1	BOX-INTERFACE,CAN	
9	AG122006	3	CABLE-PIGTAIL,GAUGE	
10	AG420246	-	HARNES-SWITCH ASM	
11	AG121969	-	INDICATOR ASM-PANEL,YELLOW	
12	AG235002	-	INDICATOR ASM PANEL LAMP	
13	AG520671	-	GAUGE-PRESSURE,0-100	
14	AG521016	-	GAUGE-PRESS, 0-150PSI	
15	521070D1	1	HARN-PROD CONT,CAB,8/10X4	
16	AG122232	1	HARNES-GAUGE PNL,RH	
17	AG520347	1	SWITCH-MICRO,SPDT ROLLER	
18	AG522410	1	TERMINATOR-PLUG,3WAY,J1939	
19	AG122382	1	TERMINATOR-MA/FE	
20	AG122388	1	BRKT-MTG,SWITCH,REVERSE	
21	AG517219	2	SCREW #6-32X1.25 MA RDHD SLTZN	
22	AG517158	2	WASHER #6 FL ZN REG TYPE-B	
23	AG517159	2	WASHER #6 LK ZN REG	
24	AG517157	2	NUT #6-32NC HEX ZN REG	
25	AG124868	-	HARNES-CHASSIS,864	
26	AG551287	2	SCREW 10-16X.50 TAP ZN HHD (D)	
84	512699D1	-	FLEX-GUARD, 2.0, LCP [BULK: 1 FT]	

SYS INSTL-BCO,2.00 BTFY,AIR	7-1
BOX/RELAY INSTL-AIR,HI VOLUME	7-2
BOX ASM-AIR,HIGH VOLUME	7-3
BRKT ASM-MTG,AIR BOX,MSO,AIR	7-4
BOX ASM-AIR,BCO,2.00 BTFL	7-5
VALVE-QUICK EXHAUST,POLY	7-6
BRKT ASM-MTG,AIR BOX,BCO	7-7
BOX ASM-AIR,BOOM CLEAN OUT	7-8

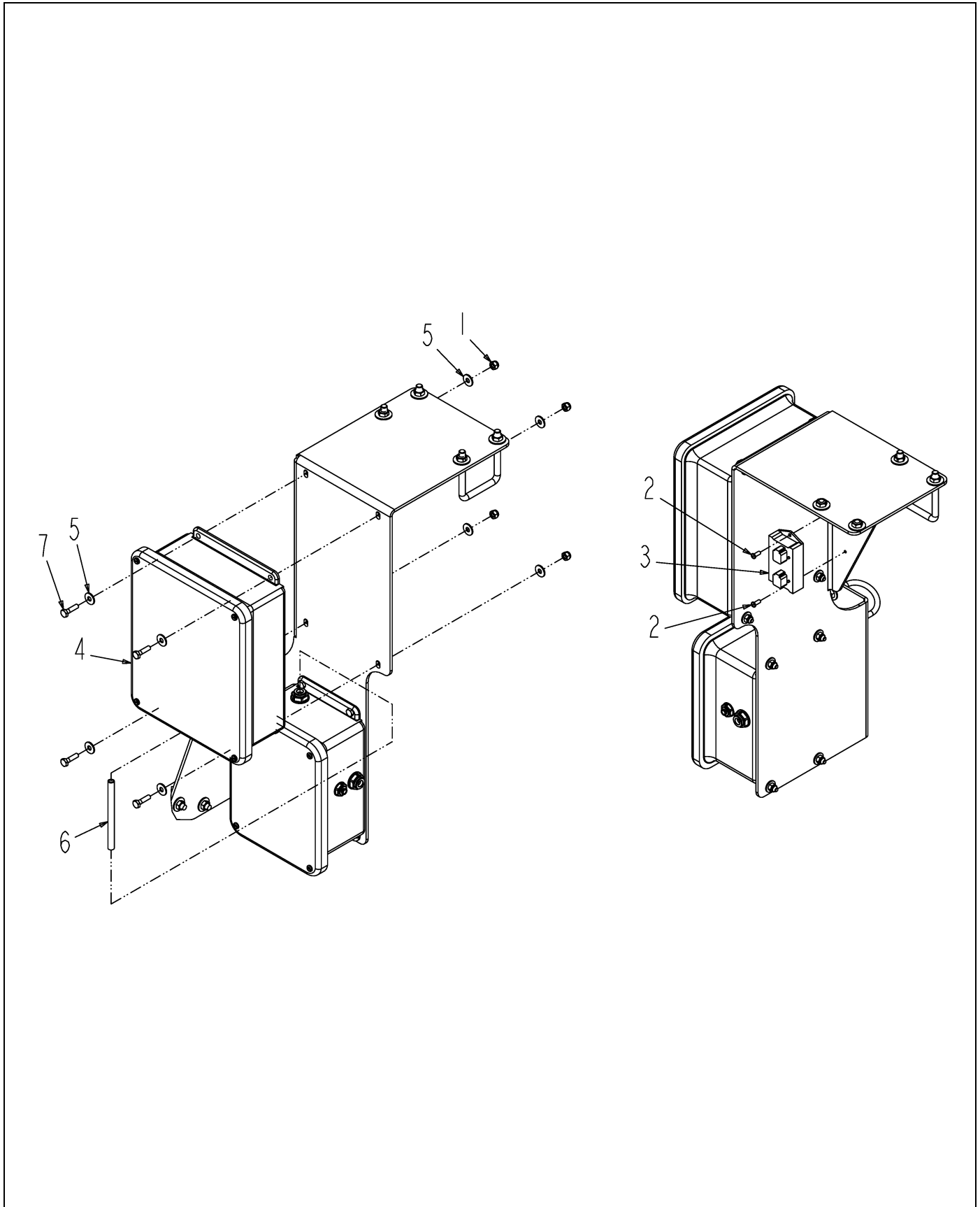


508755D1-01-N428-.TIF

SYS INSTL-BCO,2.00 BTFY,AIR

ITEM	PART #	QTY	DESCRIPTION	COMMENTS
1	AG000773	1	GASKET 2.00 EPDM	
2	AG051573	1	BSHG-RDCR,HEX,0.75X0.25NPT,PP	
3	AG511021	-	TUBING 0.25 OD NYLON BLACK [BULK: 7.084 FT]	
4	AG511722	-	HOSE-2.00,WIRE BRAID,EPDM [BULK: 6.084 FT]	
5	AG516481	1	CONNECTOR M 0.38X0.25NPT AUTLK	
6	AG517999	1	VALVE CHECK 0.25NPTF 3000PSI	
7	AG518847	-	TUBING H.D.P.E. 3/8 IN [BULK: 21.334 FT]	
8	AG519336	1	COUPLING PIPE 0.25 NPT 304SS	
9	AG522895	1	CLAMP-WORM SCREW,2.00,SS	
10	AG561630	4	CLAMP 2.28-2.59HOSE VOSS-250SS	
11	507731D1	1	BARB-45D,2.00FP FLGX2.00 HOSE	
12	508756D1	1	VALVE/BRKT ASM-MAIN,2.00 BTFL	SEE PAGE 4-30
13	511736D1	1	BRKT ASM-MTG,AIR BOX,MSO,AIR	SEE PAGE 7-4

BOX/RELAY INSTL-AIR,HI VOLUME

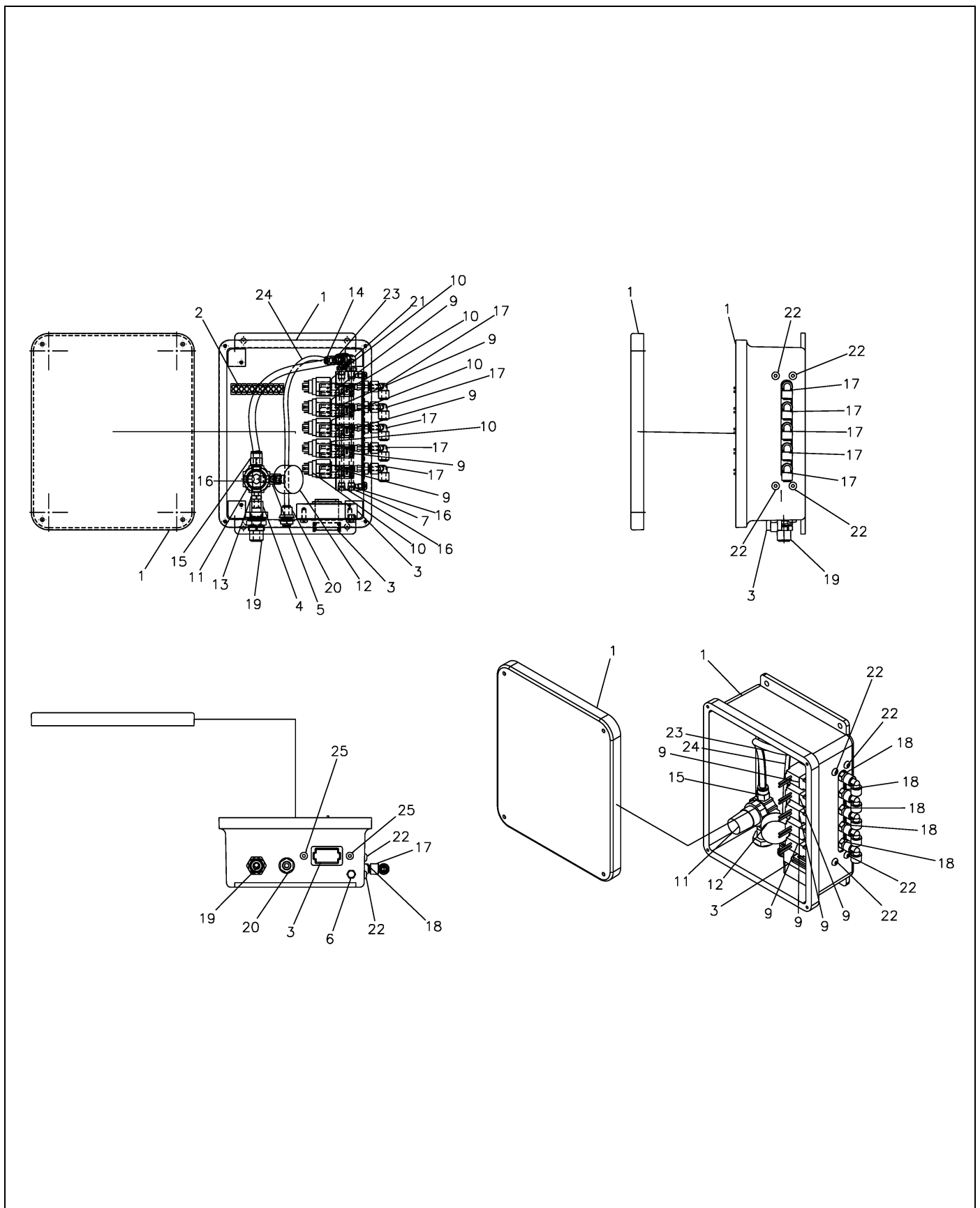


512375D1-01-N428-.TIF

BOX/RELAY INSTL-AIR,HI VOLUME

ITEM	PART #	QTY	DESCRIPTION	COMMENTS
1	AG027275	4	NUT 0.25-20NC HEX SS REG NY	
2	AG029293	2	SCREW 10-24X0.50 TAP IWHHD	
3	AG121750	1	MODULE-RELAY,2 PACK	
4	AG122561	1	BOX ASM-AIR,HIGH VOLUME	SEE PAGE 7-3
5	AG515121	8	WASHER 0.25 FL SS REG TYPE-B	
6	AG518847	-	TUBING H.D.P.E. 3/8 IN [BULK: 0.417 FT]	
7	AG562064	4	BOLT 0.25-20NCX 1.00 SS HHD	

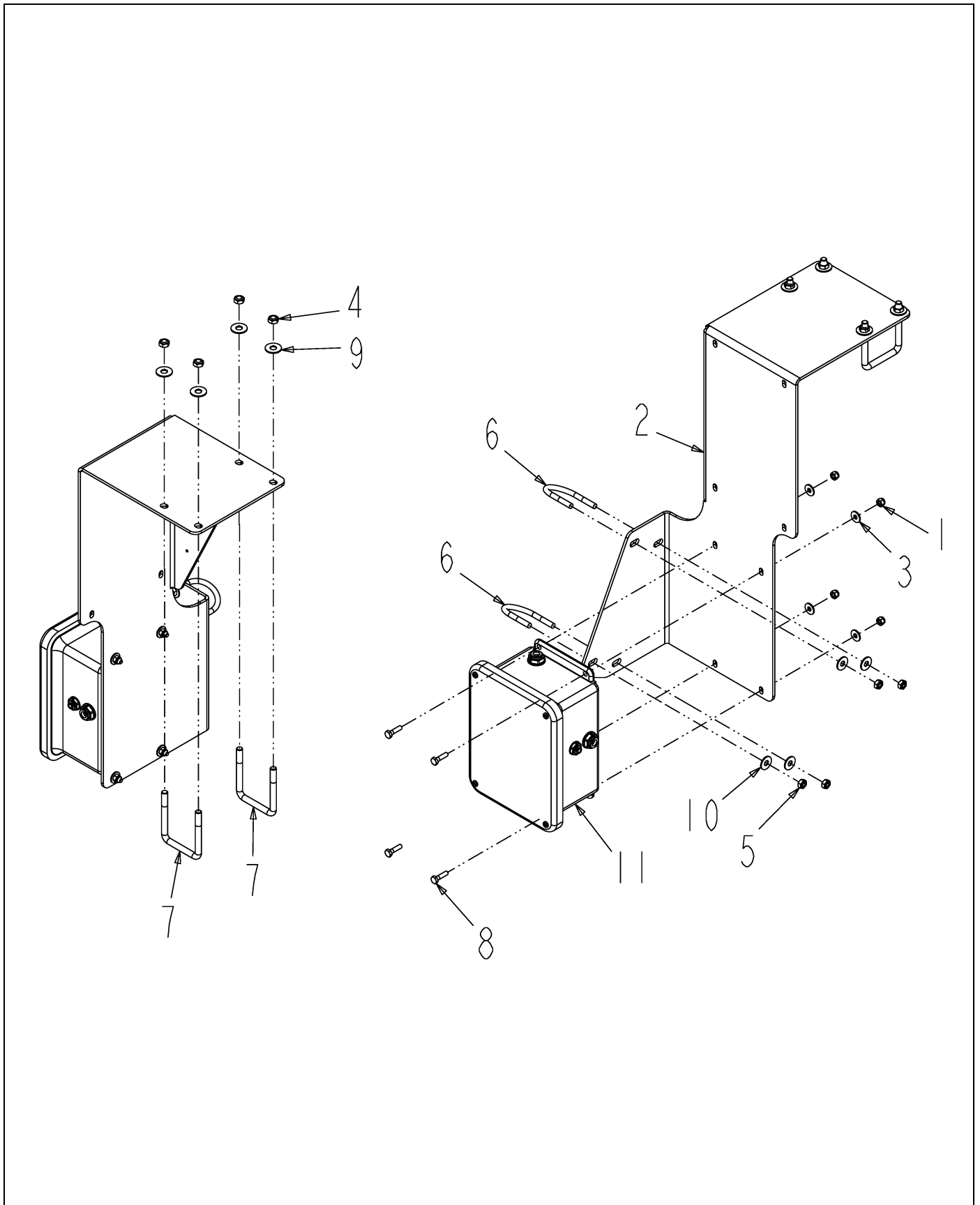
BOX ASM-AIR,HIGH VOLUME



122561.TIF

BOX ASM-AIR,HIGH VOLUME

ITEM	PART #	QTY	DESCRIPTION	COMMENTS
1	AG726847	1	ENCLOSURE/AIR BOX HV	
2	AG726846	1	STRIP/TERMINAL	
3	AG521959	1	CONN-RCPT,12WAY,A INDEX	
4	AG726848	1	BULKHEAD/BRASS	
5	AG726849	1	ELBOW/45 AIR	
6	AG726845	1	MUFFLER/AIR	
7	AG726844	1	MANIFOLD/AIR VALVE	
8	AG726843	1	GASKET/AIR VALVE	
9	AG518625	5	VALVE SOLENOID	[A]
10	AG520970	5	SWITCH-AIR,NORMALLY CLOSED	
11	AG519079	1	REGULATOR MINIATURE 0-125PSI	[B]
12	AG726850	1	GAUGE/AIR	
13	AG726841	1	NIPPLE/HEX	
14	AG726839	1	ELBOW/SWIVEL MALE	
15	AG726838	1	CONNECTOR/MALE	
16	AG609024	3	PLUG-PIPE,0.12NPT,HEX SOC HD	
17	AG516229	5	ELBOW,UNION 0.25TUBE AUTO LCK	
18	AG516231	5	STEM MALE TUBE 0.25X0.12	
19	AG516481	1	CONNECTOR M 0.38X0.25NPT AUTLK	
20	AG518668	1	UNION BULKHEAD 0.25 TUBE	
21	AG726837	1	ELBOW / SWL	
22	AG562047	4	BOLT 0.25-20NCX 0.50 SS HHD	
23	AG514288	-	TUBING-THERMOPLASTIC,J844-B, [BULK: 1 FT]	
24	AG511021	-	TUBING 0.25 OD NYLON BLACK [BULK: 1 FT]	
25	AG562327	2	BOLT M6-1.00X20MM G8.8 ZN HHD	
	FOOTNOTE [A]		VALVE BODY ONLY AG723367	
	FOOTNOTE [B]		REPAIR KIT AG609851	
	FOOTNOTE [B]		REGULATOR ONLY - AG120745	

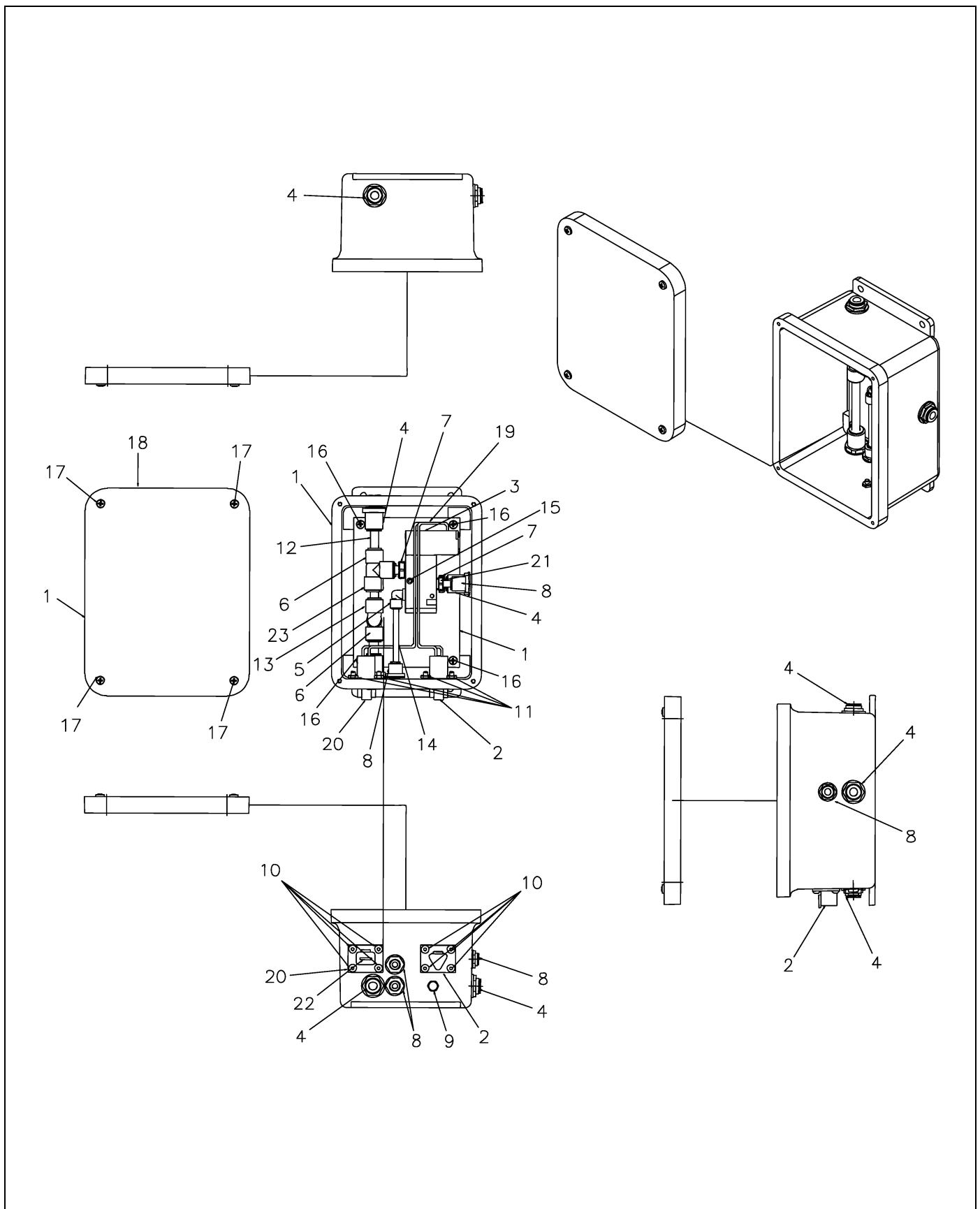


511736D1-01-N428-.TIF

BRKT ASM-MTG,AIR BOX,MSO,AIR

ITEM	PART #	QTY	DESCRIPTION	COMMENTS
1	AG027275	4	NUT 0.25-20NC HEX SS REG NY	
2	AG122611	1	BRKT-MTG,AIR BOX, BCO/HV	
3	AG515121	4	WASHER 0.25 FL SS REG TYPE-B	
4	AG515140	4	NUT 0.37-16NC HEX SS HVY NY	
5	AG516403	4	NUT 0.31-18NC HEX SS REG NY	
6	AG518292	2	BOLT-U .31-18X2.00X 2.69 RD SS	
7	AG524292	2	BOLT-U,.38-16,2.56X3.50,SQ,SS	
8	AG562064	4	BOLT 0.25-20NCX 1.00 SS HHD	
9	AG562073	4	WASHER 0.37 FL SS REG TYPE-B	
10	AG562074	4	WASHER 0.31 FL SS REG TYPE-B	
11	508757D1	1	BOX ASM-AIR,BCO,2.00 BTFL	SEE PAGE 7-5

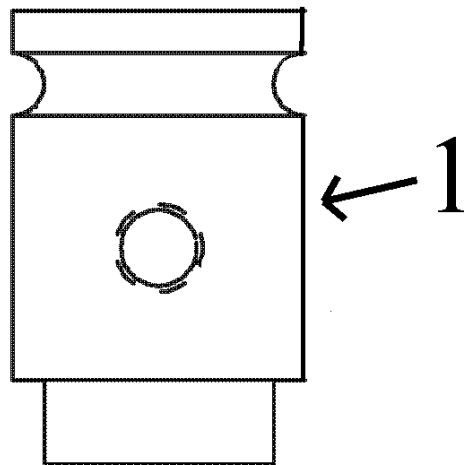
BOX ASM-AIR,BCO,2.00 BTFL



508757D1.TIF

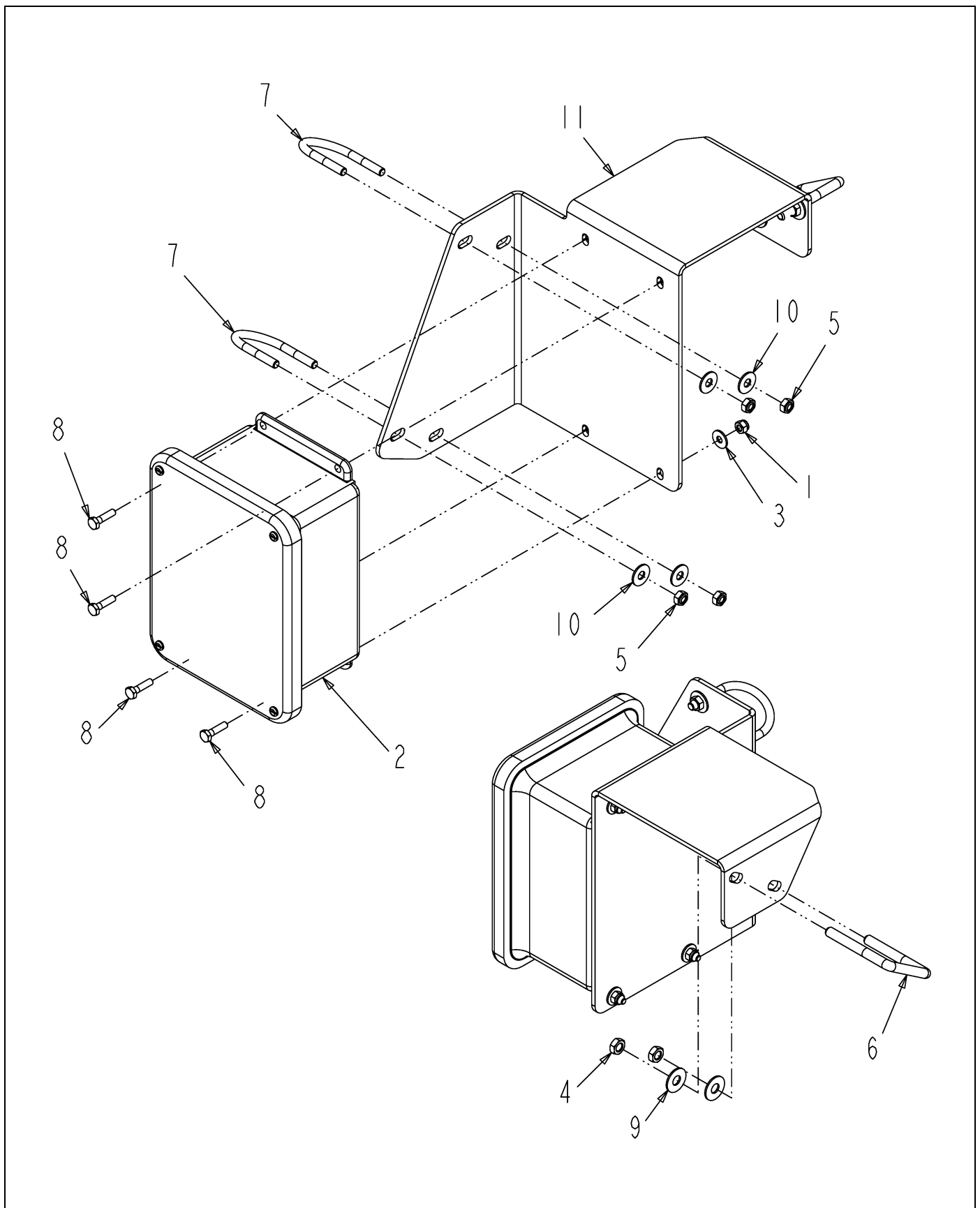
BOX ASM-AIR,BCO,2.00 BTFL

ITEM	PART #	QTY	DESCRIPTION	COMMENTS
REF	AG523078	1	LOCK-RCPT,4WAY	
REF	AG521024	1	LOCK-RCPT,3WAY,18-14GA	
REF	AG515707	4	TERMINAL-PIN,16-18GA,NICKEL	
2	AG522335	1	CONN-RCPT,3WAY,W/BOOT,BULKHEAD	
3	AG331601	2	AIR VALVE	
4	AG520939	3	UNION-BULKHEAD,.38 TUBE	
5	AG516643	2	ELBOW 90D 0.25TUBE X0.25NPT	
6	AG516478	2	TEE UNION 0.37 TUBE AUTO LOCK	
7	AG517851	3	STEM MALE TUBE 0.37X0.25 NPT	
8	AG518668	3	UNION BULKHEAD 0.25 TUBE	
9	AG726845	1	MUFFLER/AIR	
13	WR124586	1	ELBOW PLUG IN .38T X .38T	
20	AG331602	1	4 PIN/FLANGE CONNECTOR	
21	AG516230	1	STEM MALE TUBE 0.25 X 0.25	
23	AG516476	1	ELBOW UNION 0.37 TUBE AUTOLOCK	



VALVE-QUICK EXHAUST,POLY

ITEM	PART #	QTY	DESCRIPTION	COMMENTS
1	AG713710	-	REPAIR KIT	

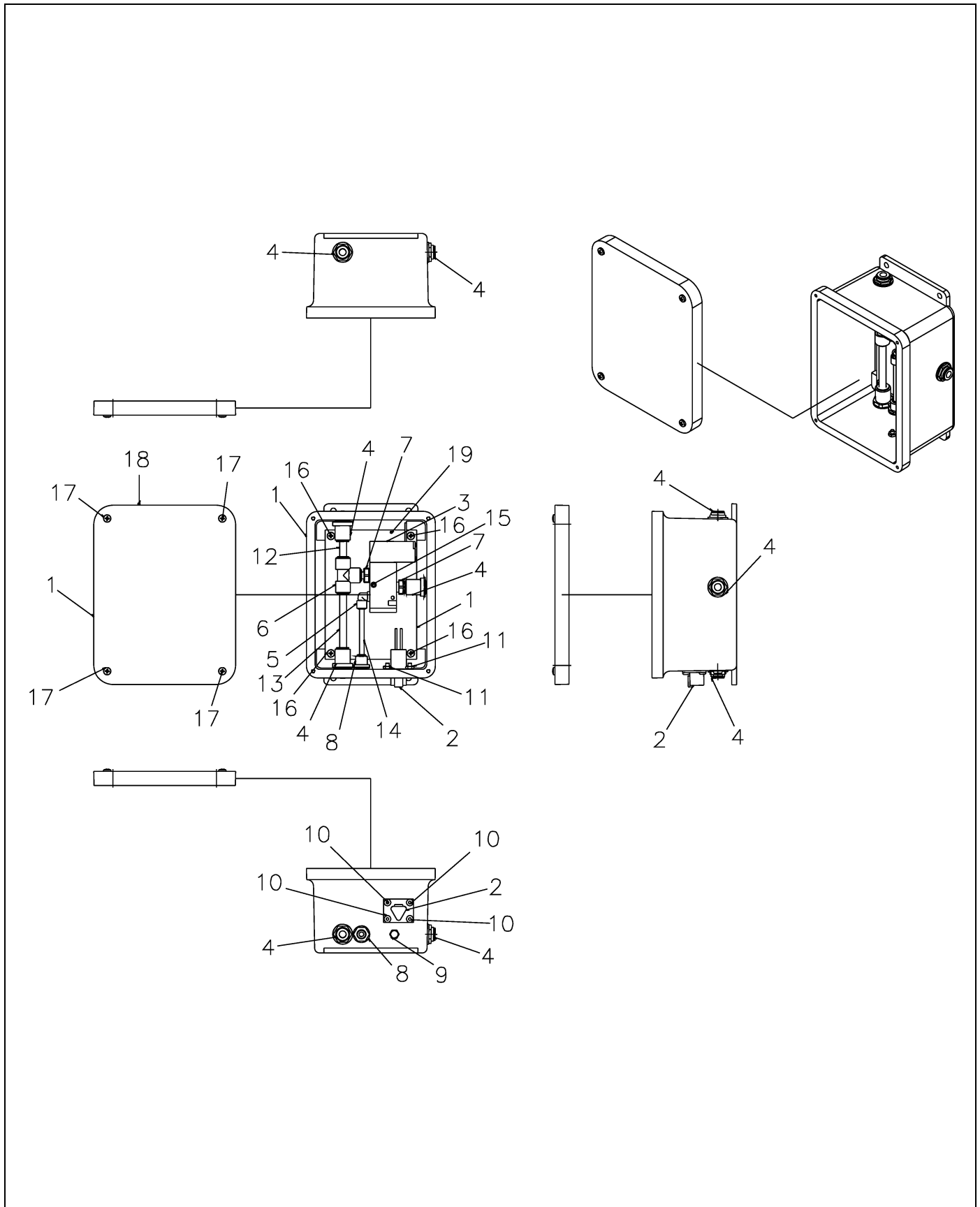


514996D1-01-N980-.TIF

BRKT ASM-MTG,AIR BOX,BCO

ITEM	PART #	QTY	DESCRIPTION	COMMENTS
1	AG027275	4	NUT 0.25-20NC HEX SS REG NY	
2	AG122562	1	BOX ASM-AIR,BOOM CLEAN OUT	SEE PAGE 7-8
3	AG515121	4	WASHER 0.25 FL SS REG TYPE-B	
4	AG515140	2	NUT 0.37-16NC HEX SS HVY NY	
5	AG516403	4	NUT 0.31-18NC HEX SS REG NY	
6	AG516992	1	BOLT-U .38-16X2.12X 3.06SQ SS	
7	AG518292	2	BOLT-U .31-18X2.00X 2.69 RD SS	
8	AG562064	4	BOLT 0.25-20NCX 1.00 SS HHD	
9	AG562073	2	WASHER 0.37 FL SS REG TYPE-B	
10	AG562074	4	WASHER 0.31 FL SS REG TYPE-B	
11	514994D1	1	BRKT-MTG,AIR BOX,BCO/HV	

BOX ASM-AIR,BOOM CLEAN OUT



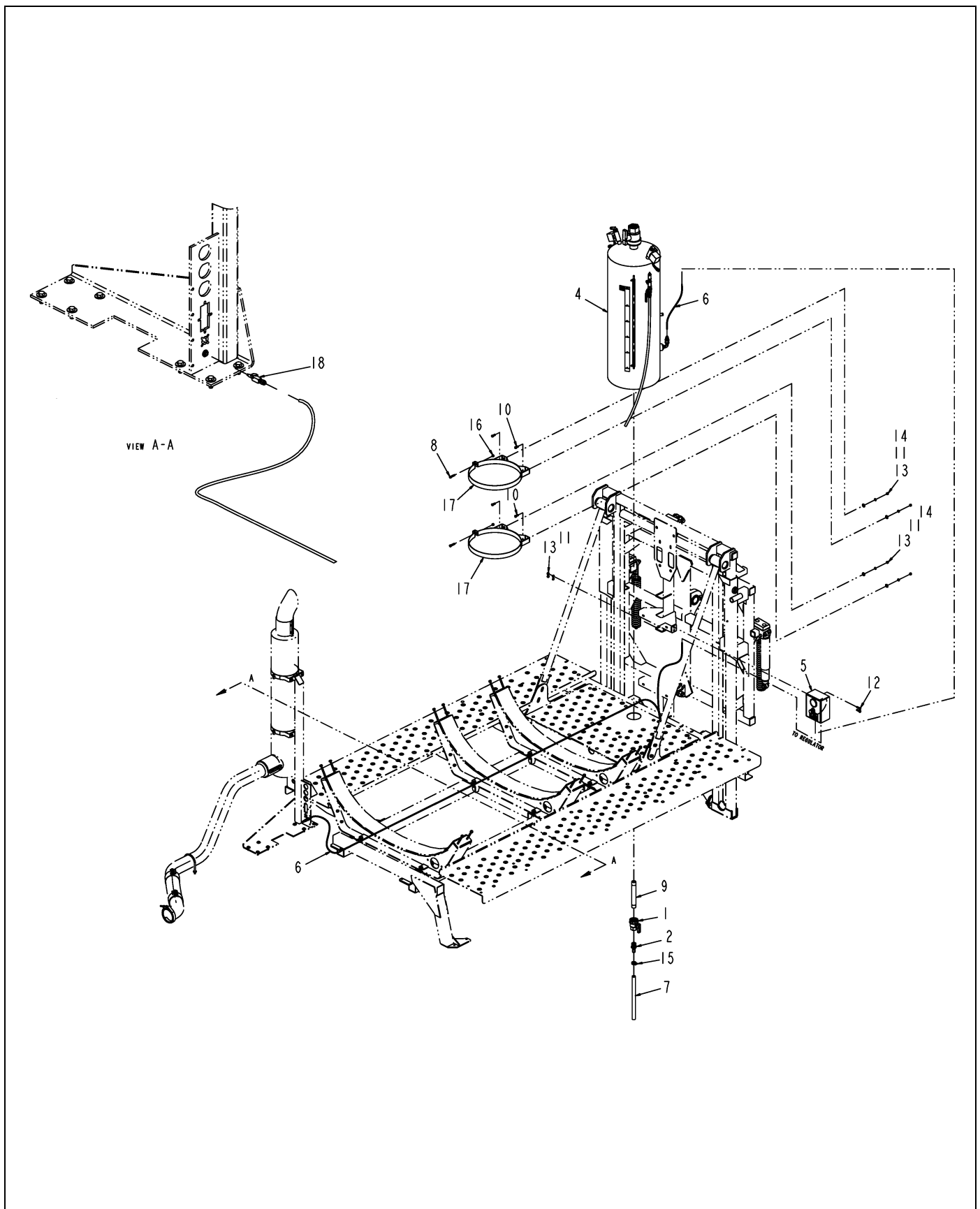
122562-A.TIF

BOX ASM-AIR,BOOM CLEAN OUT

ITEM	PART #	QTY	DESCRIPTION	COMMENTS
1	NS	1	NON-SERVICEABLE PART	
2	AG522335	1	CONN-RCPT,3WAY,W/BOOT,BULKHEAD	
3	AG726952	1	VALVE / AIR	[A]
4	AG520939	3	UNION-BULKHEAD,.38 TUBE	
5	AG516643	1	ELBOW 90D 0.25TUBE X0.25NPT	
6	AG516478	1	TEE UNION 0.37 TUBE AUTO LOCK	
7	AG517851	2	STEM MALE TUBE 0.37X0.25 NPT	
8	AG518668	1	UNION BULKHEAD 0.25 TUBE	
9	AG726845	1	MUFFLER/AIR	
10	NS	4	NON-SERVICEABLE PART	
11	NS	4	NON-SERVICEABLE PART	
12	AG514288	-	TUBING-THERMOPLASTIC,J844-B, [BULK: 1 FT]	
13	AG514288	-	TUBING-THERMOPLASTIC,J844-B, [BULK: 1 FT]	
14	AG511021	-	TUBING 0.25 OD NYLON BLACK [BULK: 1 FT]	
15	AG562199	1	SCREW 8-32X1.25 ZN RD HD	
16	AG561637	4	SCREW 10-32X0.37MAC RDHD SL ZN	
17	AG517975	4	SCREW 10-24NCX0.50 RD HD SS	
18	NS	1	NON-SERVICEABLE PART	
19	NS	1	NON-SERVICEABLE PART	
	FOOTNOTE [A]		AG721482 REPAIR KIT	
	FOOTNOTE		[721482] - VALVE REPAIR KIT	

OPT-FOAM MARKER,STD,LIQ,RG	8-1
TANK ASM-FOAM,SS,36.5GL	8-2
VALVE REWORK - SOLENOID	8-3
VALVE SOLENOID	8-4
CTRL ASM-FOAM MARKER,LIQ,RC	8-5
FOAM MARKER ASM-BOOM,90FT	8-6
FOAM MARKER ASM-BOOM,100FT	8-7
FOAM MARKER ASM-BOOM, 90FT	8-8
FOAM MARKER ASM-BOOM, 100FT	8-9
FOAM MARKER ASM-10X80X5	8-10
FOAM MARKER ASM-15X80X5	8-11
FOAM MARKER ASM-20X80X5	8-12
F/M ASM-BOOM,120FT	8-13
FOAM MARKER ASM-BOOM 90FT	8-14
FOAM MARKER ASM-BOOM 100FT	8-15
FOAM MARKER ASM-BOOM 90FT	8-16
FOAM MARKER ASM-BOOM 100FT	8-17

OPT-FOAM MARKER,STD,LIQ,RG



135918-03-N601-.tif

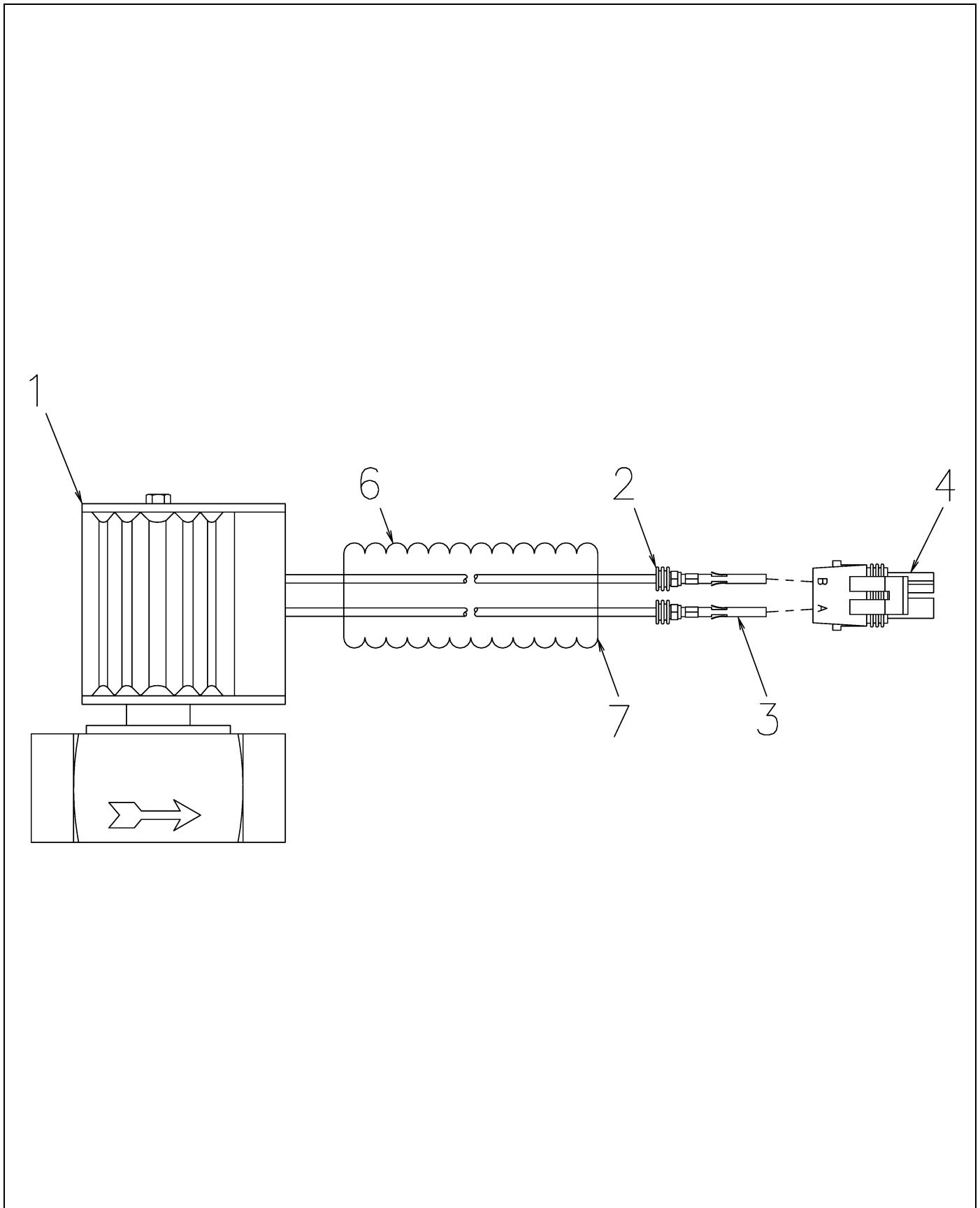
OPT-FOAM MARKER,STD,LIQ,RG

ITEM	PART #	QTY	DESCRIPTION	COMMENTS
1	AG050206	1	VALVE 1.00 NPT BALL UNION POLY	SEE PAGE 2-23
2	AG051182	1	BARB-HOSE,1.00MNPTX0.75BARB,PP	
3	AG129187	-	PIPE SEALANT-FLEX BLACK	
4	AG136118	1	TANK ASM-FOAM,SS,36.5GL	SEE PAGE 8-2
5	AG136120	1	CTRL ASM-FOAM MARKER,LIQ,RC	SEE PAGE 8-5
6	AG511021	-	TUBING 0.25 OD NYLON BLACK [BULK: 21.084 FT]	
7	AG512141	-	HOSE 0.75 CLEAR VINYL [BULK: 0.417 FT]	
8	AG515277	2	BOLT 0.37-16NCX 1.75 S.S. HHD	
9	AG518218	1	NIPPLE 1.00NPTX 8.00 304SS	
10	AG550175	4	BOLT 0.37-16NCX 1.00 G5 ZN HHD	
11	AG550191	6	WASHER 0.37 LK ZN REG	
12	AG550515	2	BOLT 0.37-16NCX 1.25 G5 ZN HHD	
13	AG550825	6	NUT 0.37-16NC HEX ZN REG	
14	AG551007	4	WASHER 0.37 FL ZN REG TYPE-B	
15	AG561229	1	CLAMP 0.68-1.25 HOSE 12HS	
16	AG562123	2	NUT 0.37-16NC HEX SS C-LK	
17	AG600830	2	BAND ASM-AIR CLEANER 16 IN DIA B	
18	AG700081	1	INSERT 0.25SS PNEU CPLR 513822	

TANK ASM-FOAM,SS,36.5GL

ITEM	PART #	QTY	DESCRIPTION	COMMENTS
1	AG001260	1	FLOODJET 1/8KSS5	
2	AG007785	1	VALVE STAINLESS STEEL 0.375	
3	AG050209	1	VALVE 2.00 NPT BALL UNION POLY	
4	AG051174	1	BARB-HOSE,0.37MNPTX0.37BARB,PP	
5	AG051740	1	NIPPLE 0.25NPTX 0.87CLS 304SS	
6	AG051901	2	NIPPLE 0.37NPTX 1.00CLS 304SS	
7	AG051934	1	ELBOW 90D 0.37 304SS	
8	AG129187	-	PIPE SEALANT-FLEX BLACK	
9	AG234240	2	VALVE REWORK - SOLENOID	SEE PAGE 8-3
10	AG402427	1	DECAL TANK CAPACITY (36GAL)	
11	AG405382	1	TANK FOAM MARKER 36 GAL SS	
12	AG512362	-	HOSE 0.38 CLEAR VINYL [BULK: 8.250 FT]	
13	AG512370	1	VALVE SAFETY 45 PSI	
14	AG514243	1	VALVE CHECK 0.25NPT	
15	AG516233	1	CONN STR .25 TUBE X .25 NPT AL	
16	AG518413	2	FITTING-90DX.75NPTX.62MHB PP	
17	AG521846	1	TEE-.38 FNPT,SS	
18	AG561227	3	CLAMP 0.44-0.78 HOSE 6HS	
19	AG561508	1	BUSHG 1.25X 0.37 HX DBL TPD SS	
20	AG562693	1	ELBOW 90DEG 1/4 NPT 304SS	
21	AG563038	1	COUPLING RED .12X .37NPT 304SS	
22	AG563039	1	NIPPLE 0.37NPTX 5.00 304SS	
23	AG563055	2	BUSHING .38MA NPTX .25FE NPT	
24	AG710638	1	PLUG-PIPE,HEX,0.25NPT,304SS	

VALVE REWORK - SOLENOID

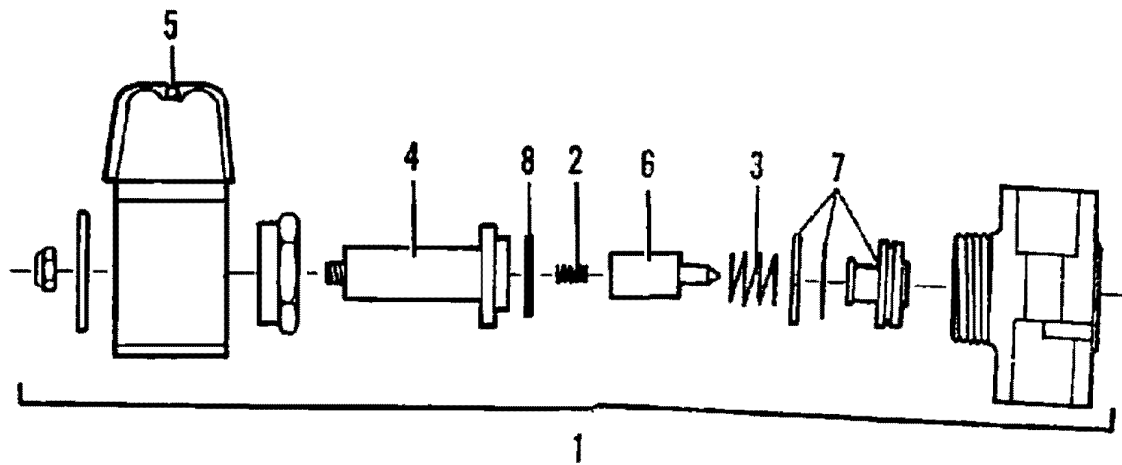


234240-D.TIF

VALVE REWORK - SOLENOID

ITEM	PART #	QTY	DESCRIPTION	COMMENTS
1	AG514014	1	VALVE SOLENOID	SEE PAGE 8-4
2	AG515764	2	SEAL CABLE GREEN REEL 18-16 GA	
3	AG517467	2	TERM FE 20-18 GA W/PACK	
4	AG515851	1	CONNECTOR ELEC TOWER 2-CONT M	
6	AG562330	-	FLEX GUARD .250 [BULK: 0.667 FT]	
7	AG513083	AR	TAPE ELECTRICAL 0.75	

VALVE SOLENOID

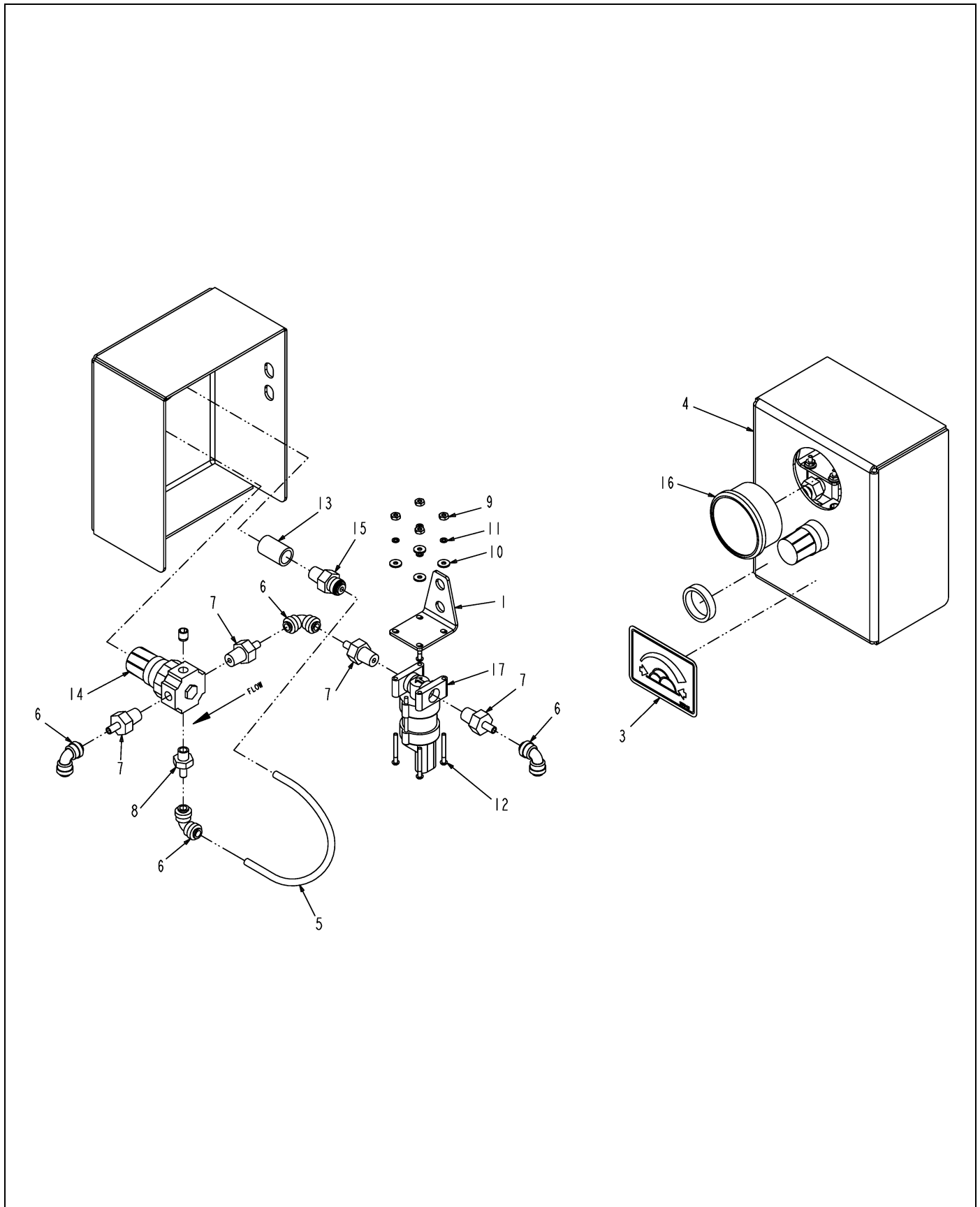


514014.TIF

VALVE SOLENOID

ITEM	PART #	QTY	DESCRIPTION	COMMENTS
2	AG701012	1	SPRING PLUNGER (514014)	
3	AG701015	1	SPRING PISTON (514014)	
4	AG701016	1	TUBE & O-RING ENCLOSING(514014	
5	AG701011	1	ASM COIL 12 VOLT (514014)	
6	AG701013	1	ASM PLUNGER (514014)	
7	AG701014	1	ASM PISTON (514014)	
8	AG701010	1	O-RING TUBE ASSY (514014)	

CTRL ASM-FOAM MARKER,LIQ,RC

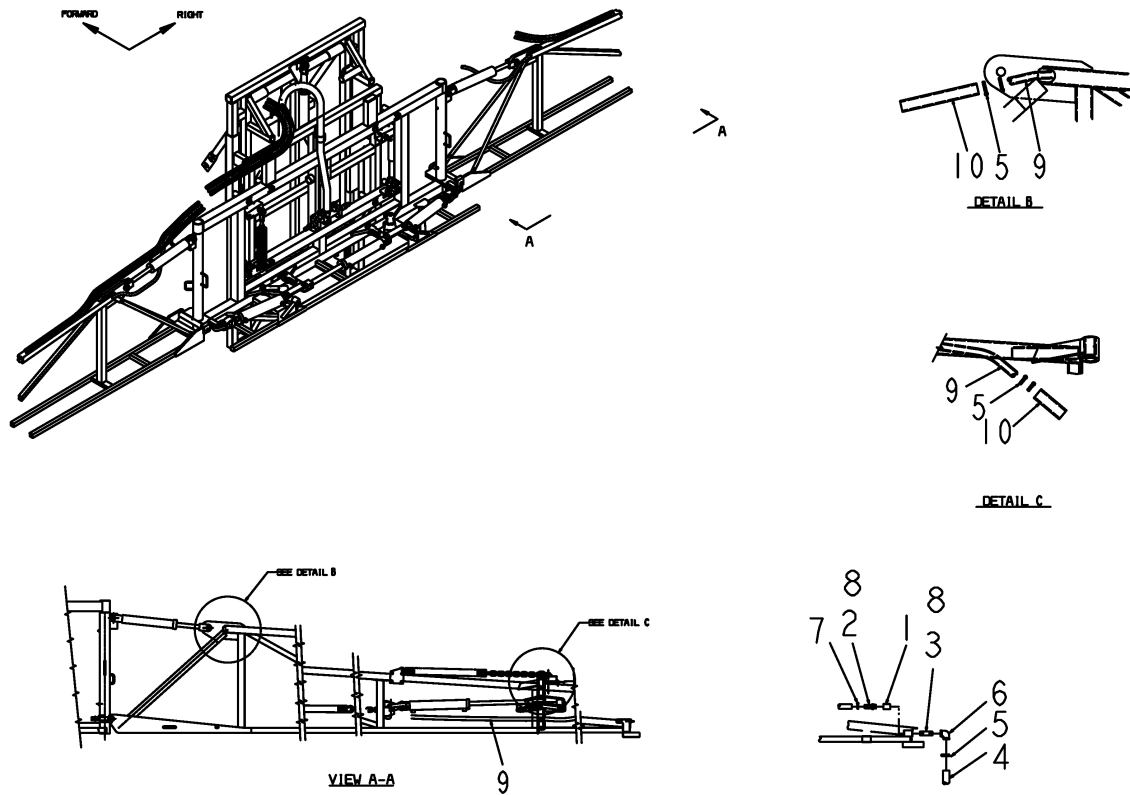


136120-04-N801-.TIF

CTRL ASM-FOAM MARKER,LIQ,RC

ITEM	PART #	QTY	DESCRIPTION	COMMENTS
REF	AG521354	1	CONN-STR,.25TUBE X .25NPT,POLY	
1	AG122116	1	BRKT-MTG,F/M ENABLE VALVE	
2	AG129187	-	PIPE SEALANT-FLEX BLACK	
3	AG135942	1	DECAL-FOAM MARKER	
4	AG136119	1	BRKT-MTG,CTRL,FOAM MARKER,RD	
5	AG511021	-	TUBING 0.25 OD NYLON BLACK [BULK: 0.813 FT]	
6	AG516229	4	ELBOW,UNION 0.25TUBE AUTO LCK	
7	AG516230	4	STEM MALE TUBE 0.25 X 0.25	
8	AG516231	1	STEM MALE TUBE 0.25X0.12	
9	AG517157	4	NUT #6-32NC HEX ZN REG	
10	AG517158	4	WASHER #6 FL ZN REG TYPE-B	
11	AG517159	4	WASHER #6 LK ZN REG	
12	AG517219	4	SCREW #6-32X1.25 MA RDHD SLTZN	
13	AG519336	1	COUPLING PIPE 0.25 NPT 304SS	
14	AG520889	1	REGULATOR-MINIATURE 0-60 PSI	
16	AG521934	1	GAUGE-PRESS,0-7 BAR/100PSI	
17	AG522466	1	VALVE-SOLENOID,25NPT,12V	

FOAM MARKER ASM-BOOM,90FT

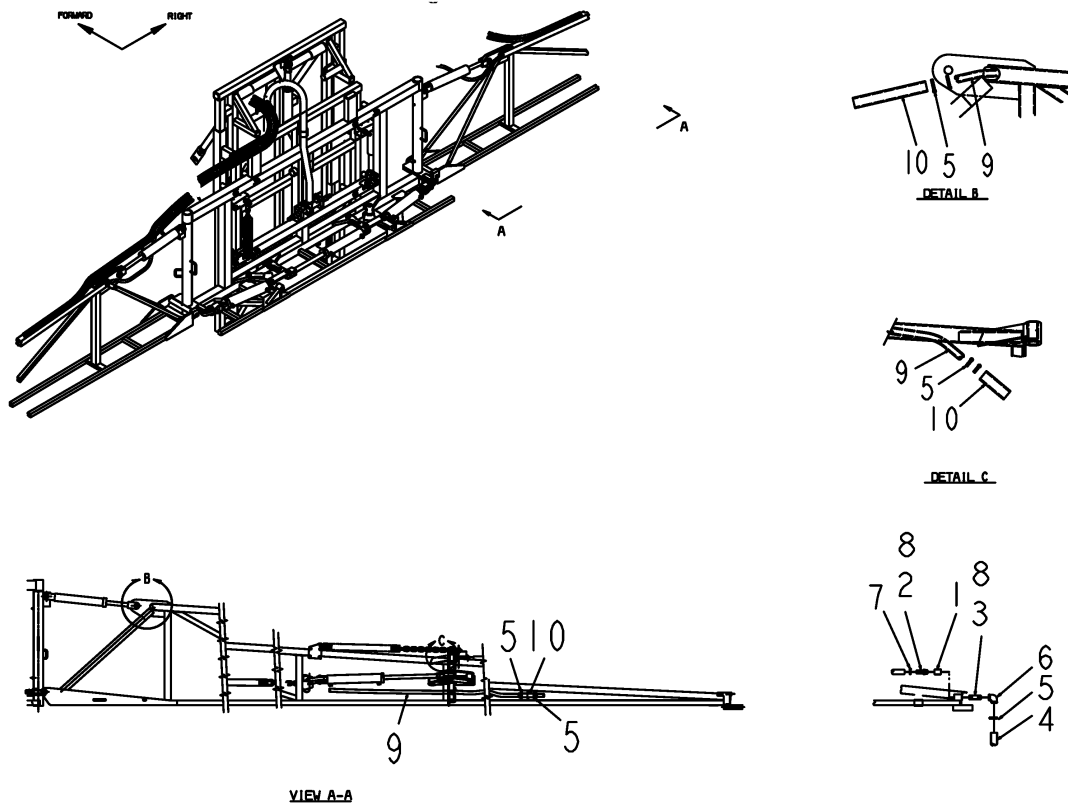


125405-B.tif

FOAM MARKER ASM-BOOM,90FT

ITEM	PART #	QTY	DESCRIPTION	COMMENTS
1	AG553875	2	COUPLING 0.75NS PIPE STEEL PL	
2	AG051180	2	BARB-HOSE,0.75MNPTX0.62BARB,PP	
3	AG559385	2	NIPPLE .75NPT X 3.00 WR ST	
4	AG512230	-	HOSE 1.50 2BRD EPDM [BULK: 4 FT]	
5	AG561213	10	CLAMP 0.81-1.50 HOSE 16HS	
6	AG554480	2	ELBOW 90D 0.75NPT MAL IR PL	
7	AG561227	2	CLAMP 0.44-0.78 HOSE 6HS	
8	AG129187	AR	PIPE SEALANT-FLEX BLACK	
9	AG515449	-	HOSE 0.62 CLEAR VINYL [BULK: 120 FT]	
10	AG511528	-	HOSE 1.00 2BRD EPDM [BULK: 4 FT]	

FOAM MARKER ASM-BOOM, 100FT

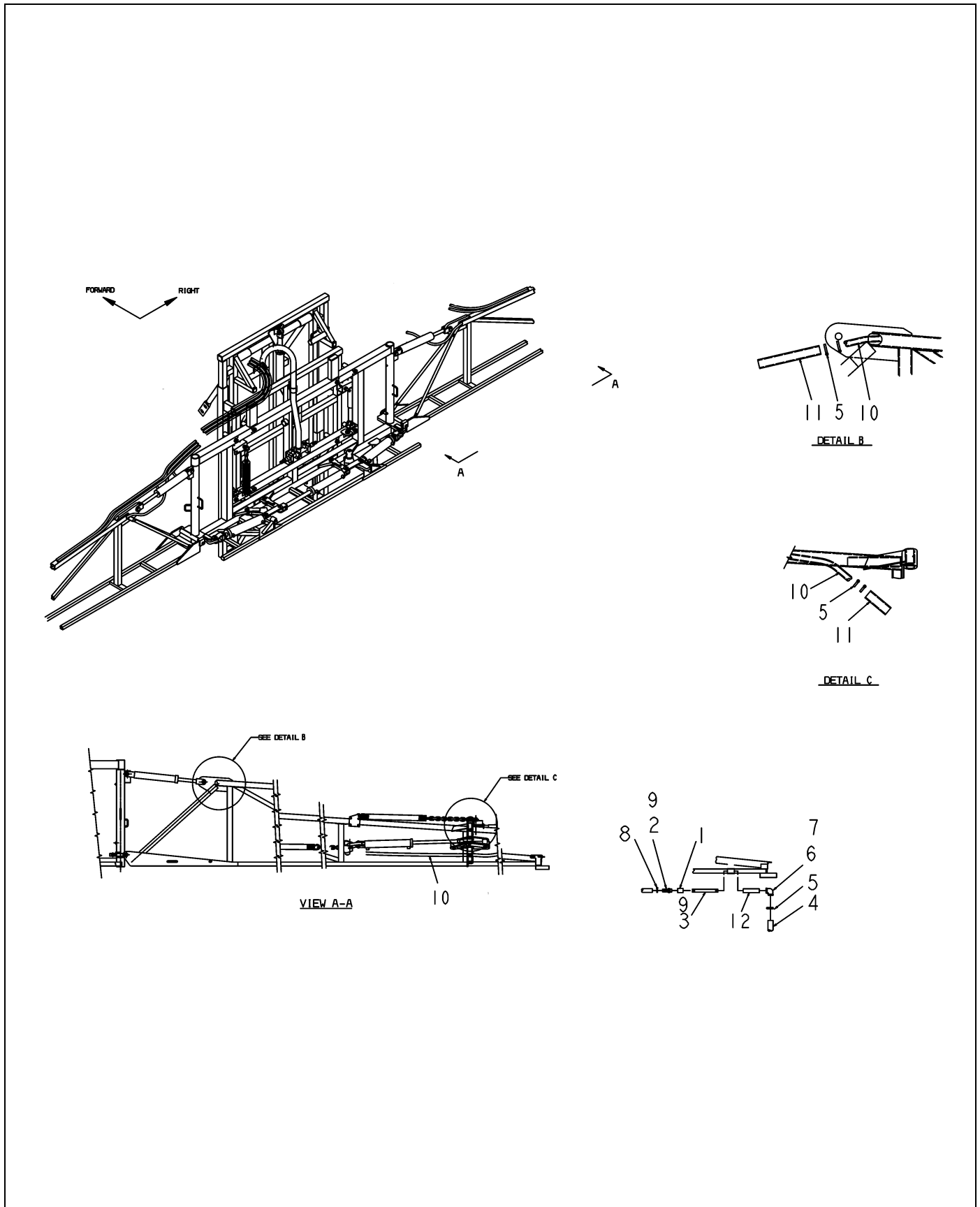


125406-B.tif

FOAM MARKER ASM-BOOM,100FT

ITEM	PART #	QTY	DESCRIPTION	COMMENTS
1	AG553875	2	COUPLING 0.75NS PIPE STEEL PL	
2	AG051180	2	BARB-HOSE,0.75MNPTX0.62BARB,PP	
3	AG559385	2	NIPPLE .75NPT X 3.00 WR ST	
4	AG512230	-	HOSE 1.50 2BRD EPDM [BULK: 4 FT]	
5	AG561213	14	CLAMP 0.81-1.50 HOSE 16HS	
6	AG554480	2	ELBOW 90D 0.75NPT MAL IR PL	
7	AG561227	2	CLAMP 0.44-0.78 HOSE 6HS	
8	AG129187	AR	PIPE SEALANT-FLEX BLACK	
9	AG515449	-	HOSE 0.62 CLEAR VINYL [BULK: 130 FT]	
10	AG511528	-	HOSE 1.00 2BRD EPDM [BULK: 5 FT]	

FOAM MARKER ASM-BOOM, 90FT

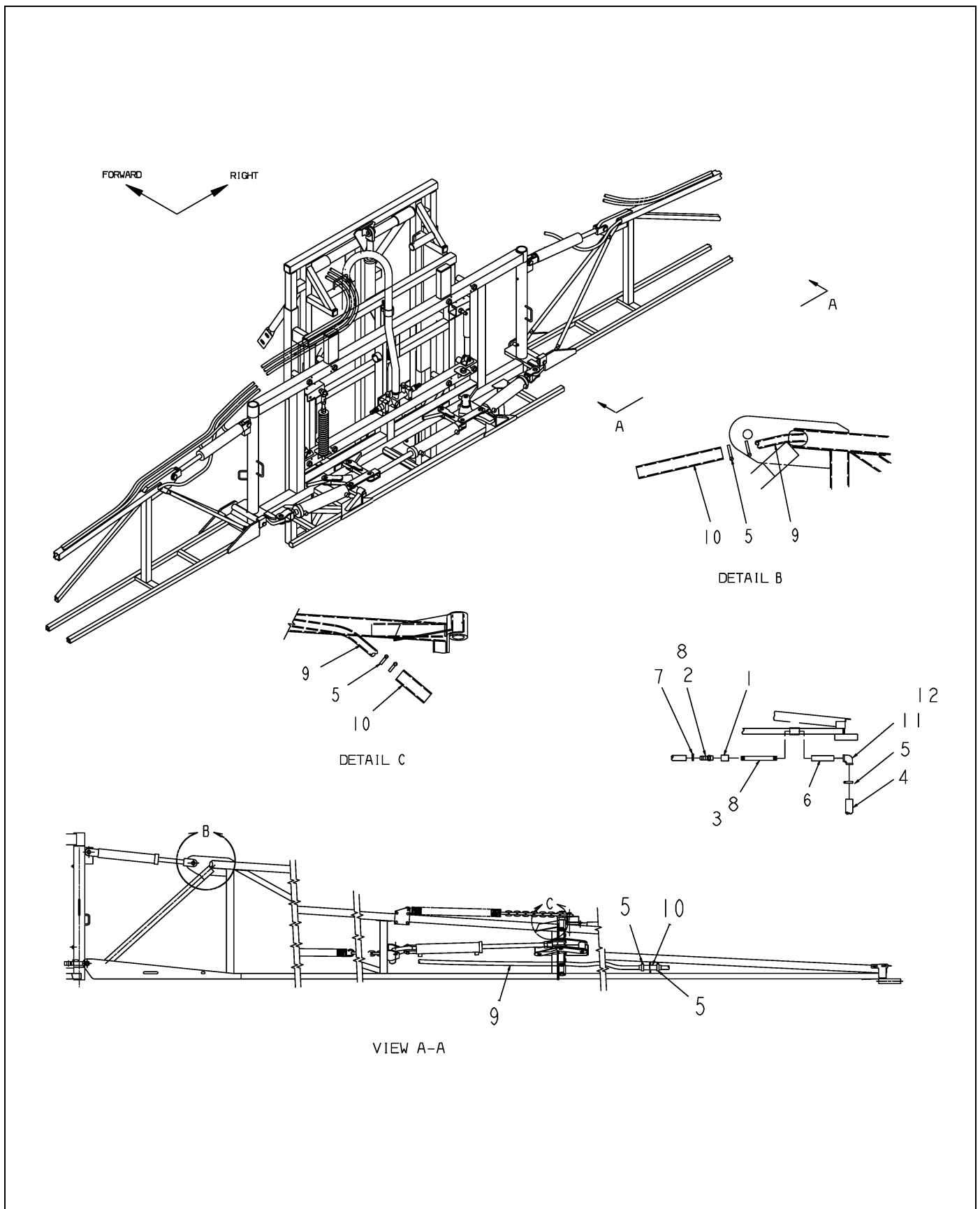


129722-A.tif

FOAM MARKER ASM-BOOM, 90FT

ITEM	PART #	QTY	DESCRIPTION	COMMENTS
1	AG553875	2	COUPLING 0.75NS PIPE STEEL PL	
2	AG051180	2	BARB-HOSE,0.75MNPTX0.62BARB,PP	
3	AG108618	2	NIPPLE 0.75NPTX 8.50 SCH40	
4	AG512230	-	HOSE 1.50 2BRD EPDM [BULK: 4 FT]	
5	AG561213	10	CLAMP 0.81-1.50 HOSE 16HS	
6	AG217585	1	ELBOW FOAM MARKER WLDMT LH	
7	AG217586	1	ELBOW FOAM MARKER WLDMT RH	
8	WR55293	2	CLAMP-HOSE,.91 SST	
9	AG129187	AR	PIPE SEALANT-FLEX BLACK	
10	AG515449	-	HOSE 0.62 CLEAR VINYL [BULK: 120 FT]	
11	AG511528	-	HOSE 1.00 2BRD EPDM [BULK: 4 FT]	
12	AG108617	2	SPACER PIPE	

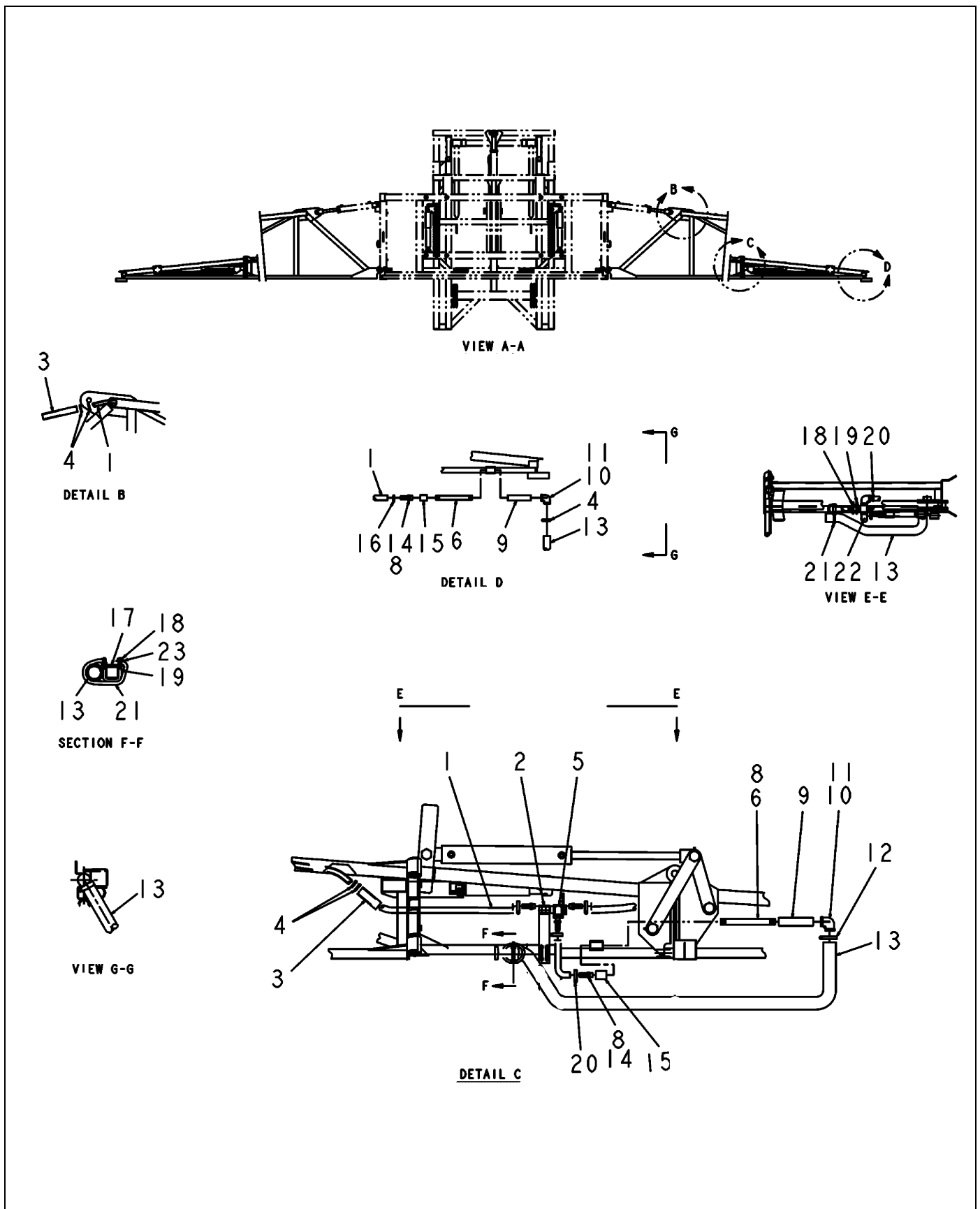
FOAM MARKER ASM-BOOM, 100FT



129723-B-M330-.TIF

FOAM MARKER ASM-BOOM, 100FT

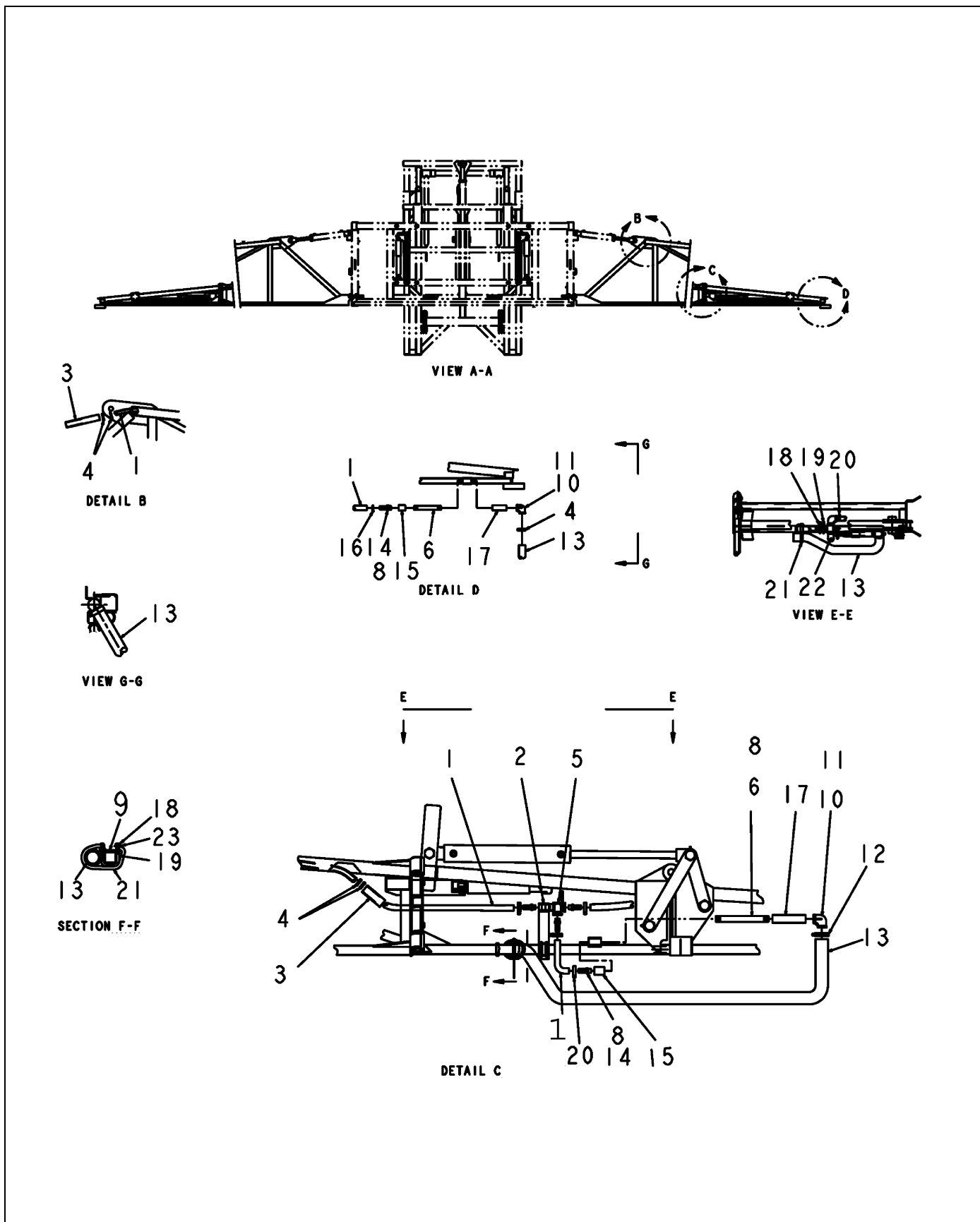
ITEM	PART #	QTY	DESCRIPTION	COMMENTS
1	AG553875	2	COUPLING 0.75NS PIPE STEEL PL	
2	AG051180	2	BARB-HOSE,0.75MNPTX0.62BARB,PP	
3	AG108618	2	NIPPLE 0.75NPTX 8.50 SCH40	
4	AG512230	-	HOSE 1.50 2BRD EPDM [BULK: 4 FT]	
5	AG561213	14	CLAMP 0.81-1.50 HOSE 16HS	
6	AG108617	2	SPACER PIPE	
7	AG561227	2	CLAMP 0.44-0.78 HOSE 6HS	
8	AG129187	AR	PIPE SEALANT-FLEX BLACK	
9	AG515449	-	HOSE 0.62 CLEAR VINYL [BULK: 130 FT]	
10	AG511528	-	HOSE 1.00 2BRD EPDM [BULK: 5 FT]	
11	AG217585	1	ELBOW FOAM MARKER WLDMT LH	
12	AG217586	1	ELBOW FOAM MARKER WLDMT RH	



502325-F.tif

FOAM MARKER ASM-10X80X5

ITEM	PART #	QTY	DESCRIPTION	COMMENTS
1	AG515449	-	HOSE 0.62 CLEAR VINYL [BULK: 110 FT]	
2	AG232718	2	MOUNT VALVE WLDMT	
3	AG511528	-	HOSE 1.00 2BRD EPDM [BULK: 4.200 FT]	
4	AG561213	10	CLAMP 0.81-1.50 HOSE 16HS	
5	AG515001	2	VALVE 3-WAY 0.75NPT MA PVC	[A]
6	AG108618	4	NIPPLE 0.75NPTX 8.50 SCH40	
8	AG129187	AR	PIPE SEALANT-FLEX BLACK	
9	AG108617	4	SPACER PIPE	
10	AG217585	2	ELBOW FOAM MARKER WLDMT LH	
11	AG217586	2	ELBOW FOAM MARKER WLDMT RH	
12	AG561231	2	CLAMP 1.06-2.00 HOSE 24HS	
13	AG512230	-	HOSE 1.50 2BRD EPDM [BULK: 8.400 FT]	
14	AG051180	10	BARB-HOSE,0.75MNPTX0.62BARB,PP	
15	AG553875	4	COUPLING 0.75NS PIPE STEEL PL	
16	AG561227	2	CLAMP 0.44-0.78 HOSE 6HS	
17	AG108935	2	PLATE BACKING	
18	AG516403	24	NUT 0.31-18NC HEX SS REG NY	
19	AG231204	6	BOLT-U .31-18X1.88X2.63	
20	AG561215	8	CLAMP 0.50-0.91 HOSE 8HS	
21	AG523327	2	STRAP-HOLDDOWN,14.00,EPDM	
22	AG051126	4	ELBOW-PIPE,0.75FNPT,90D,PP	
23	AG562074	18	WASHER 0.31 FL SS REG TYPE-B	
	FOOTNOTE [A]		HANDLE ONLY- AG711378	

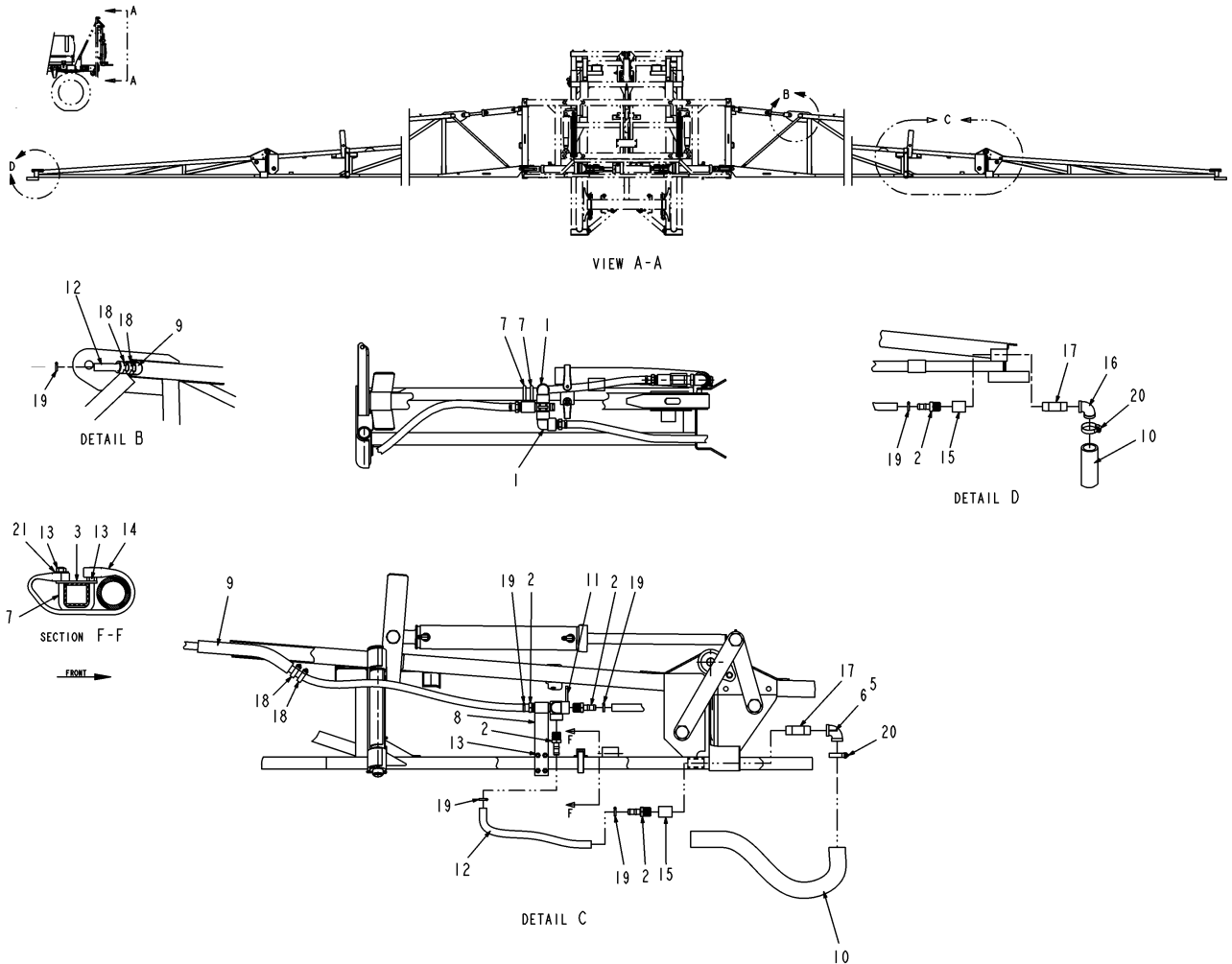


502326-F.tif

FOAM MARKER ASM-15X80X5

ITEM	PART #	QTY	DESCRIPTION	COMMENTS
1	AG515449	-	HOSE 0.62 CLEAR VINYL [BULK: 110 FT]	
2	AG232718	2	MOUNT VALVE WLDMT	
3	AG511528	-	HOSE 1.00 2BRD EPDM [BULK: 4.200 FT]	
4	AG561213	10	CLAMP 0.81-1.50 HOSE 16HS	
5	AG515001	2	VALVE 3-WAY 0.75NPT MA PVC	[A]
6	AG217656	4	NIPPLE .75 IN X6.5 IN	
8	AG129187	AR	PIPE SEALANT-FLEX BLACK	
9	AG108935	2	PLATE BACKING	
10	AG217585	2	ELBOW FOAM MARKER WLDMT LH	
11	AG217586	2	ELBOW FOAM MARKER WLDMT RH	
12	AG561231	2	CLAMP 1.06-2.00 HOSE 24HS	
13	AG512230	-	HOSE 1.50 2BRD EPDM [BULK: 8.400 FT]	
14	AG051180	10	BARB-HOSE,0.75MNPTX0.62BARB,PP	
15	AG553875	4	COUPLING 0.75NS PIPE STEEL PL	
16	AG561227	2	CLAMP 0.44-0.78 HOSE 6HS	
17	AG217642	4	PIPE SPACER	
18	AG516403	24	NUT 0.31-18NC HEX SS REG NY	
19	AG231204	6	BOLT-U .31-18X1.88X2.63	
20	AG561215	8	CLAMP 0.50-0.91 HOSE 8HS	
21	AG523327	2	STRAP-HOLDDOWN,14.00,EPDM	
22	AG051126	4	ELBOW-PIPE,0.75FNPT,90D,PP	
23	AG562074	2	WASHER 0.31 FL SS REG TYPE-B	
	FOOTNOTE [A]		HANDLE ONLY- AG711378	

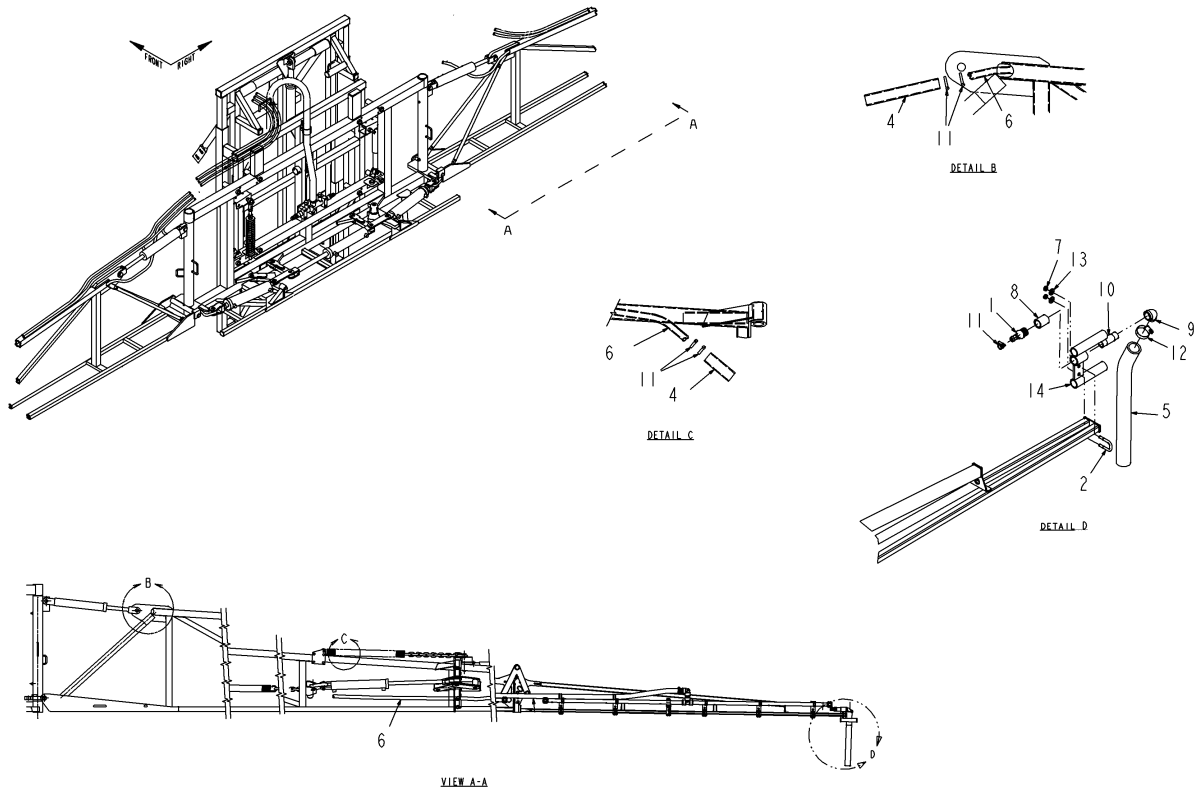
FOAM MARKER ASM-20X80X5



502327.tif

FOAM MARKER ASM-20X80X5

ITEM	PART #	QTY	DESCRIPTION	COMMENTS
1	AG051126	4	ELBOW-PIPE,0.75FNPT,90D,PP	
2	AG051180	10	BARB-HOSE,0.75MNPTX0.62BARB,PP	
3	AG108935	2	PLATE BACKING	
4	AG129187	AR	PIPE SEALANT-FLEX BLACK	
5	AG217585	1	ELBOW FOAM MARKER WLDMT LH	
6	AG217586	1	ELBOW FOAM MARKER WLDMT RH	
7	AG231204	6	BOLT-U .31-18X1.88X2.63	
8	AG232718	2	MOUNT VALVE WLDMT	
9	AG511528	-	HOSE 1.00 2BRD EPDM [BULK: 2.450 FT]	
10	AG512230	-	HOSE 1.50 2BRD EPDM [BULK: 8.400 FT]	
11	AG515001	2	VALVE 3-WAY 0.75NPT MA PVC	[A]
12	AG515449	-	HOSE 0.62 CLEAR VINYL [BULK: 111.667 FT]	
13	AG516403	12	NUT 0.31-18NC HEX SS REG NY	
14	AG523327	2	STRAP-HOLDDOWN,14.00,EPDM	
15	AG553875	4	COUPLING 0.75NS PIPE STEEL PL	
16	AG554480	2	ELBOW 90D 0.75NPT MAL IR PL	
17	AG559385	4	NIPPLE .75NPT X 3.00 WR ST	
18	AG561213	8	CLAMP 0.81-1.50 HOSE 16HS	
19	AG561215	12	CLAMP 0.50-0.91 HOSE 8HS	
20	AG561231	4	CLAMP 1.06-2.00 HOSE 24HS	
21	AG562074	2	WASHER 0.31 FL SS REG TYPE-B	
	FOOTNOTE [A]		HANDLE ONLY- AG711378	

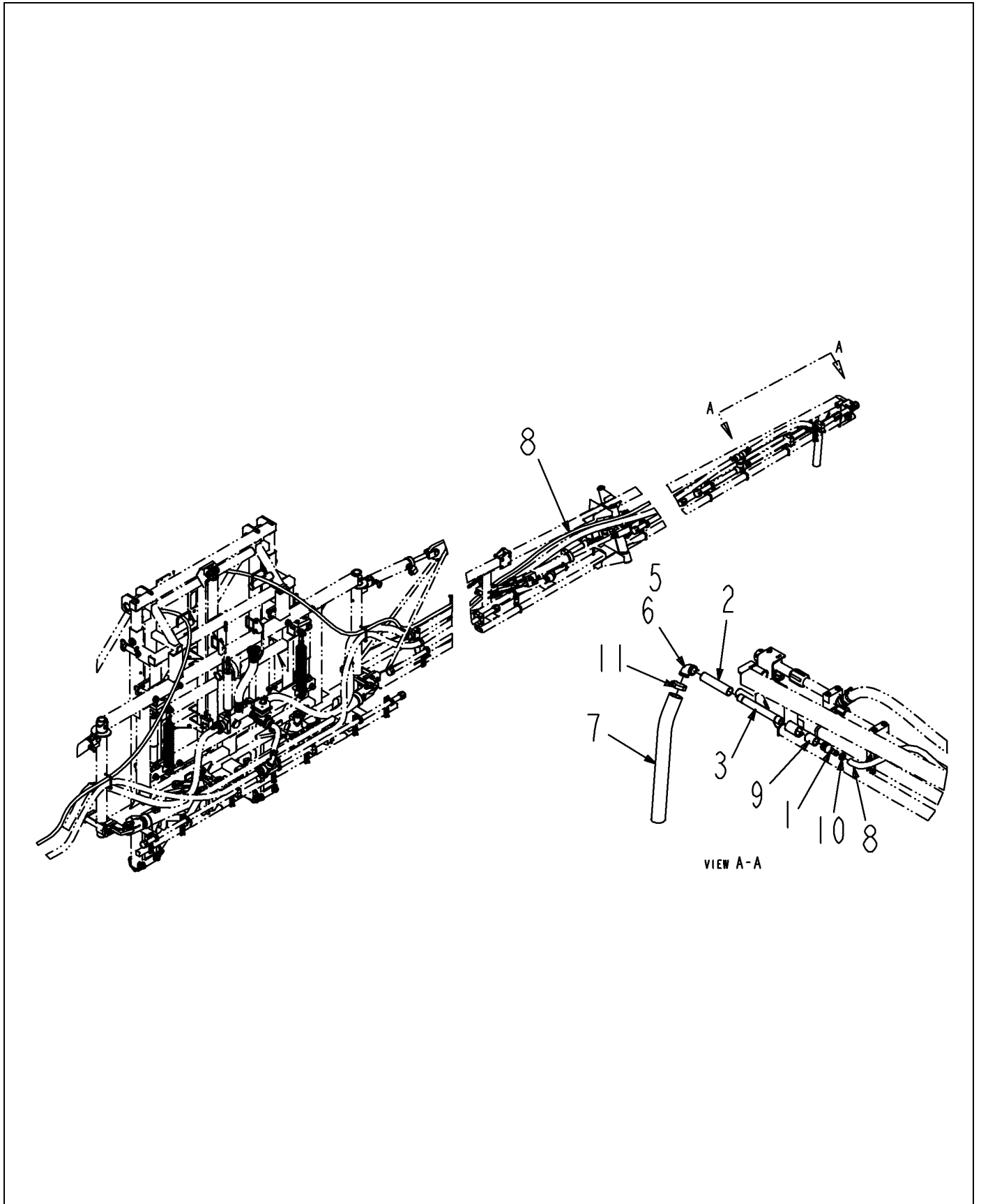


506856D1-02-M930.tif

F/M ASM-BOOM,120FT

ITEM	PART #	QTY	DESCRIPTION	COMMENTS
1	AG051180	2	BARB-HOSE,0.75MNPTX0.62BARB,PP	
2	WR129144	2	BOLT-U, .31-18X1.06X1.97,SQ,SS	
3	AG129187	AR	PIPE SEALANT-FLEX BLACK	
4	AG511528	-	HOSE 1.00 2BRD EPDM [BULK: 4 FT]	
5	AG512230	-	HOSE 1.50 2BRD EPDM [BULK: 4 FT]	
6	AG515449	-	HOSE 0.62 CLEAR VINYL [BULK: 150 FT]	
7	AG516403	4	NUT 0.31-18NC HEX SS REG NY	
8	AG553875	2	COUPLING 0.75NS PIPE STEEL PL	
9	AG554480	2	ELBOW 90D 0.75NPT MAL IR PL	
10	AG559385	2	NIPPLE .75NPT X 3.00 WR ST	
11	AG561227	8	CLAMP 0.44-0.78 HOSE 6HS	
12	AG561231	2	CLAMP 1.06-2.00 HOSE 24HS	
13	AG562074	4	WASHER 0.31 FL SS REG TYPE-B	
14	506857D1	2	BRKT WLDMT-MTG,DROP,F/M,BM TIP	

FOAM MARKER ASM-BOOM 90FT

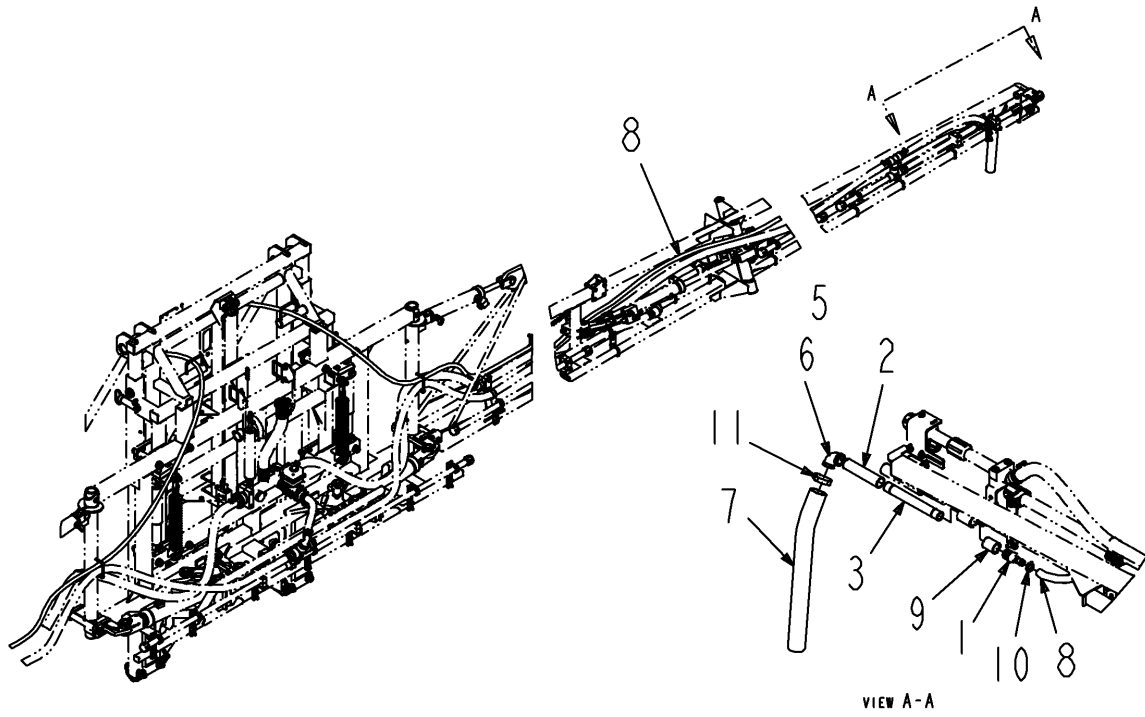


519281D1-01-R267-.TIF

FOAM MARKER ASM-BOOM 90FT

ITEM	PART #	QTY	DESCRIPTION	COMMENTS
1	AG051180	2	BARB-HOSE,0.75MNPTX0.62BARB,PP	
2	AG108617	2	SPACER PIPE	
3	AG108618	2	NIPPLE 0.75NPTX 8.50 SCH40	
4	AG129187	AR	PIPE SEALANT-FLEX BLACK	
5	AG217585	1	ELBOW FOAM MARKER WLDMT LH	
6	AG217586	1	ELBOW FOAM MARKER WLDMT RH	
7	AG512230	-	HOSE 1.50 2BRD EPDM [BULK: 4 FT]	
8	AG515449	-	HOSE 0.62 CLEAR VINYL [BULK: 120 FT]	
9	AG553875	2	COUPLING 0.75NS PIPE STEEL PL	
10	AG561228	4	CLAMP 0.56-1.06 HOSE 10HS	
11	AG561231	2	CLAMP 1.06-2.00 HOSE 24HS	

FOAM MARKER ASM-BOOM 100FT

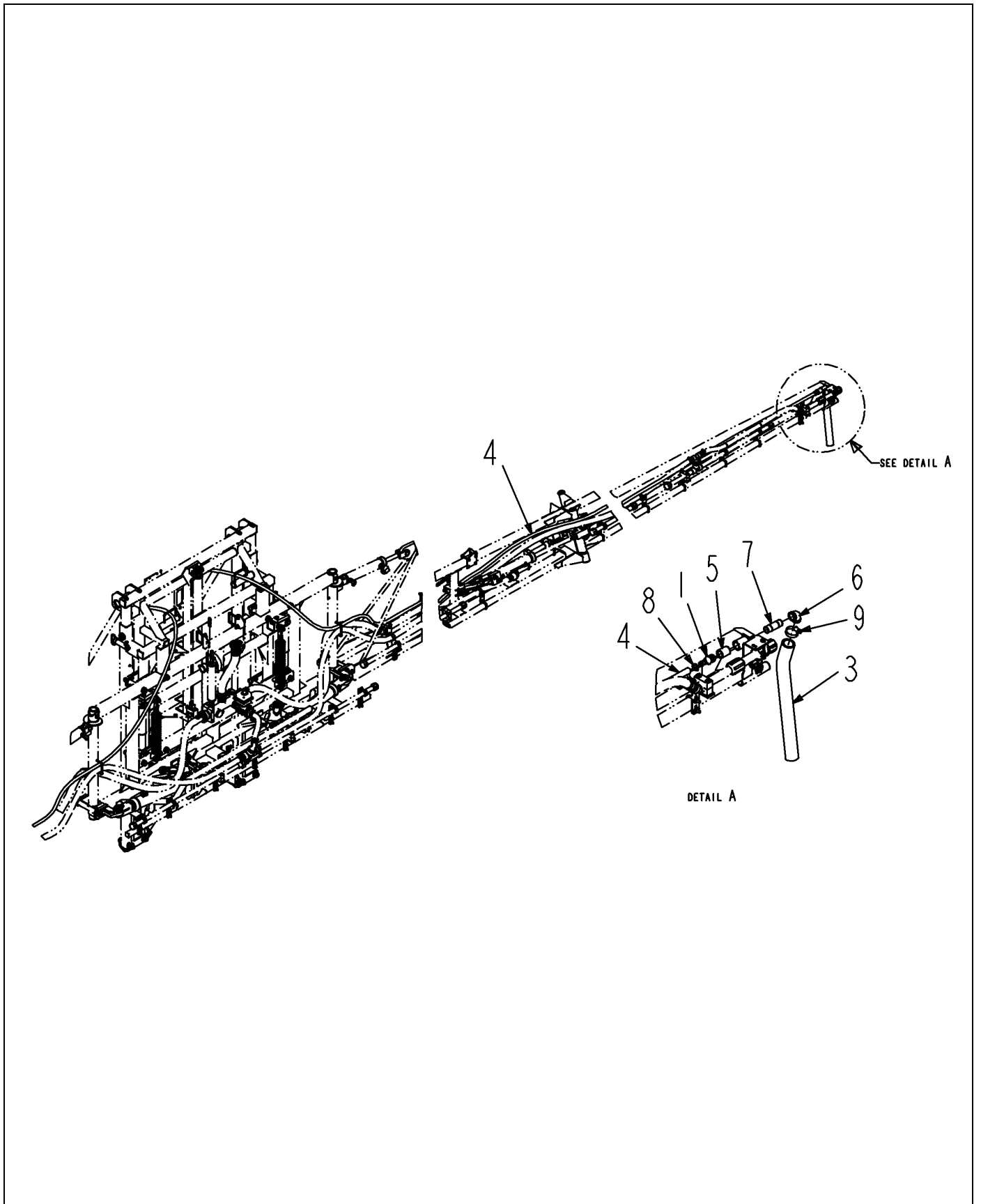


519282D1-01-R267-.TIF

FOAM MARKER ASM-BOOM 100FT

ITEM	PART #	QTY	DESCRIPTION	COMMENTS
1	AG051180	2	BARB-HOSE,0.75MNPTX0.62BARB,PP	
2	AG108617	2	SPACER PIPE	
3	AG108618	2	NIPPLE 0.75NPTX 8.50 SCH40	
4	AG129187	AR	PIPE SEALANT-FLEX BLACK	
5	AG217585	1	ELBOW FOAM MARKER WLDMT LH	
6	AG217586	1	ELBOW FOAM MARKER WLDMT RH	
7	AG512230	-	HOSE 1.50 2BRD EPDM [BULK: 4 FT]	
8	AG515449	-	HOSE 0.62 CLEAR VINYL [BULK: 130 FT]	
9	AG553875	2	COUPLING 0.75NS PIPE STEEL PL	
10	AG561228	4	CLAMP 0.56-1.06 HOSE 10HS	
11	AG561231	2	CLAMP 1.06-2.00 HOSE 24HS	

FOAM MARKER ASM-BOOM 90FT

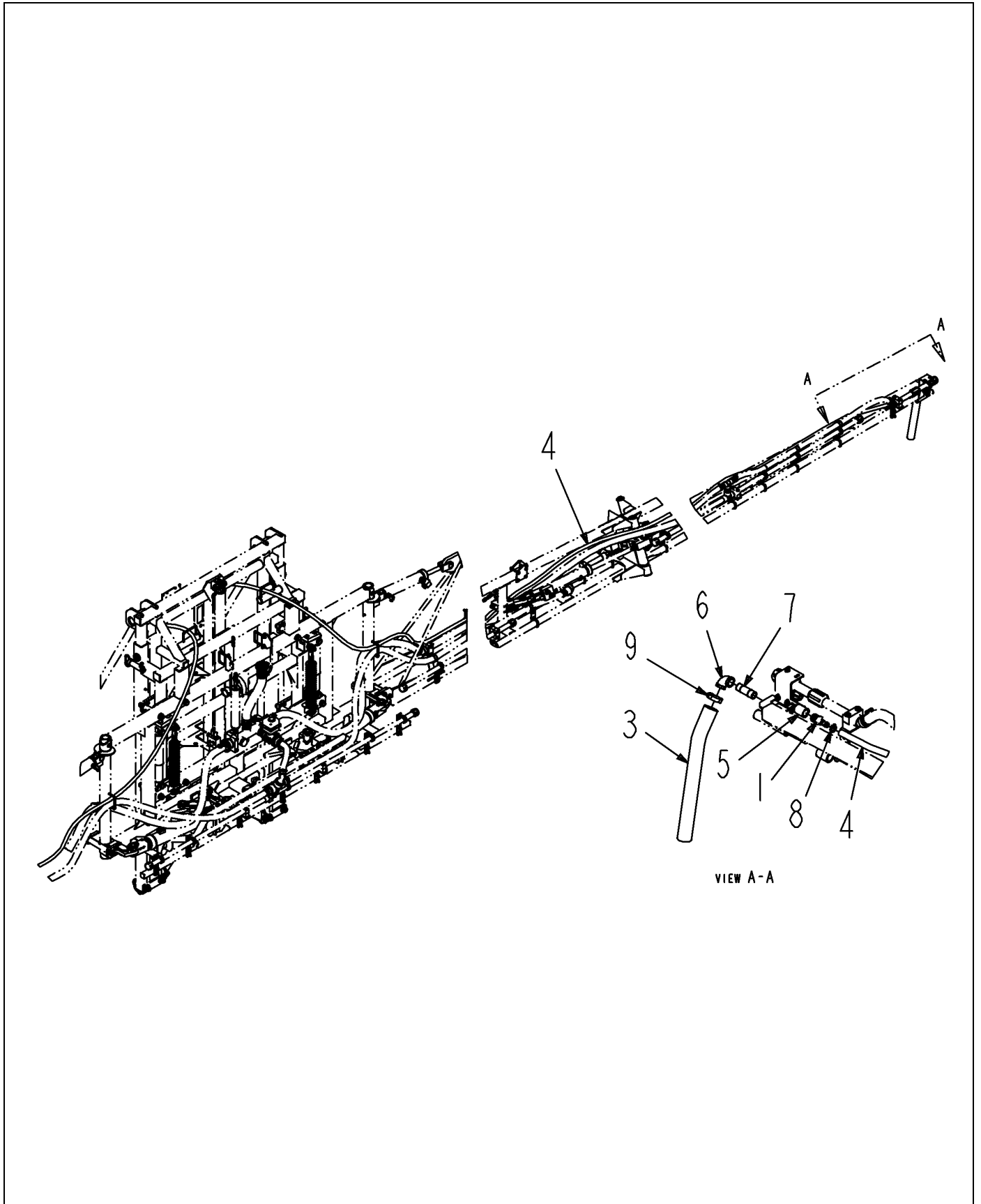


519283D1-01-R267-.TIF

FOAM MARKER ASM-BOOM 90FT

ITEM	PART #	QTY	DESCRIPTION	COMMENTS
1	AG051180	2	BARB-HOSE,0.75MNPTX0.62BARB,PP	
2	AG129187	AR	PIPE SEALANT-FLEX BLACK	
3	AG512230	-	HOSE 1.50 2BRD EPDM [BULK: 4 FT]	
4	AG515449	-	HOSE 0.62 CLEAR VINYL [BULK: 120 FT]	
5	AG553875	2	COUPLING 0.75NS PIPE STEEL PL	
6	AG554480	2	ELBOW 90D 0.75NPT MAL IR PL	
7	AG559385	2	NIPPLE .75NPT X 3.00 WR ST	
8	AG561228	4	CLAMP 0.56-1.06 HOSE 10HS	
9	AG561231	2	CLAMP 1.06-2.00 HOSE 24HS	

FOAM MARKER ASM-BOOM 100FT



519284D1-01-R267-.TIF

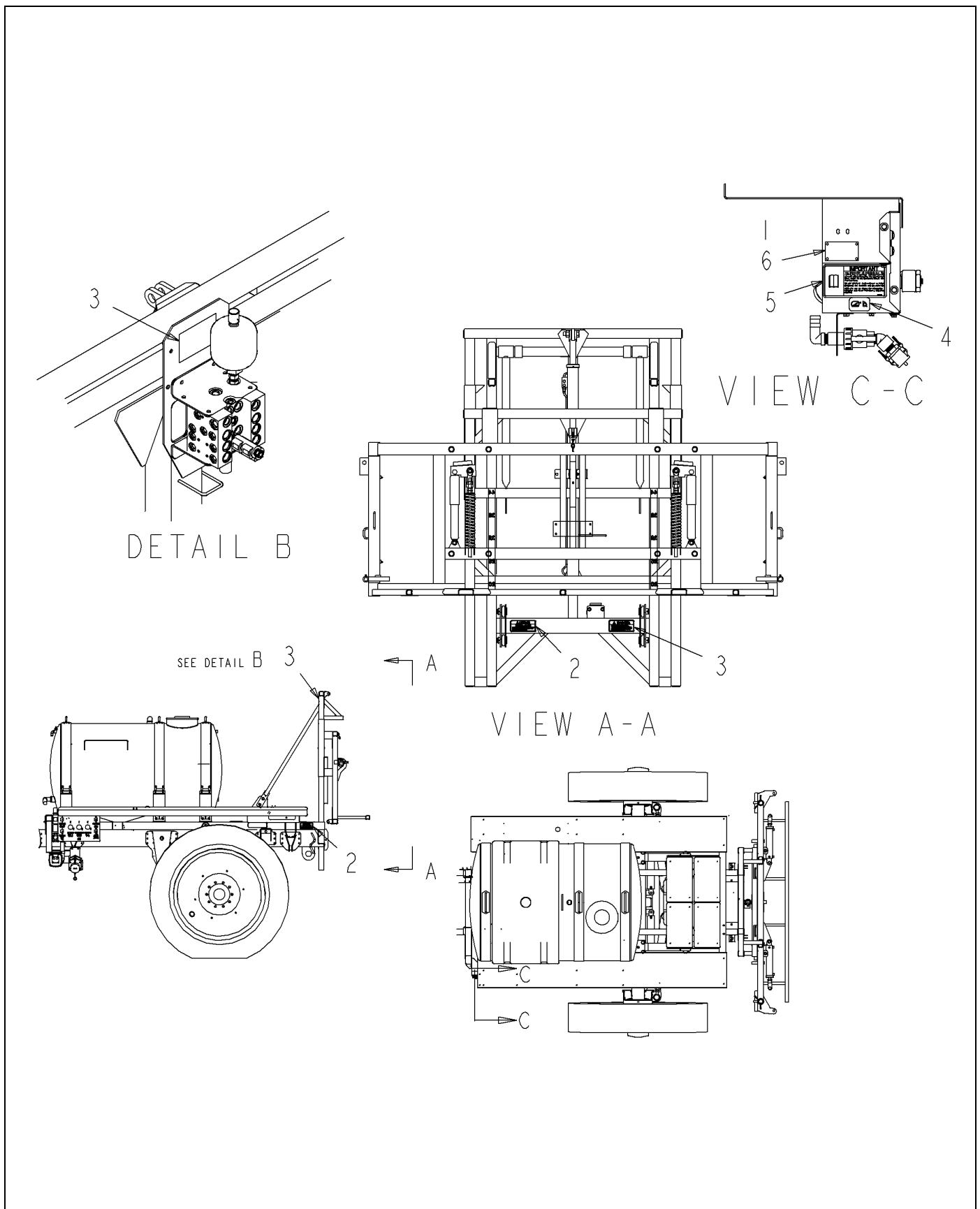
FOAM MARKER ASM-BOOM 100FT

ITEM	PART #	QTY	DESCRIPTION	COMMENTS
1	AG051180	2	BARB-HOSE,0.75MNPTX0.62BARB,PP	
2	AG129187	AR	PIPE SEALANT-FLEX BLACK	
3	AG512230	-	HOSE 1.50 2BRD EPDM [BULK: 4 FT]	
4	AG515449	-	HOSE 0.62 CLEAR VINYL [BULK: 130 FT]	
5	AG553875	2	COUPLING 0.75NS PIPE STEEL PL	
6	AG554480	2	ELBOW 90D 0.75NPT MAL IR PL	
7	AG559385	2	NIPPLE .75NPT X 3.00 WR ST	
8	AG561228	4	CLAMP 0.56-1.06 HOSE 10HS	
9	AG561231	2	CLAMP 1.06-2.00 HOSE 24HS	

DECAL INSTL-LIQ SYS,8/10X4,ENG
DECAL INSTL-LIQ SYS,12X4,ENG

9-1
9-2

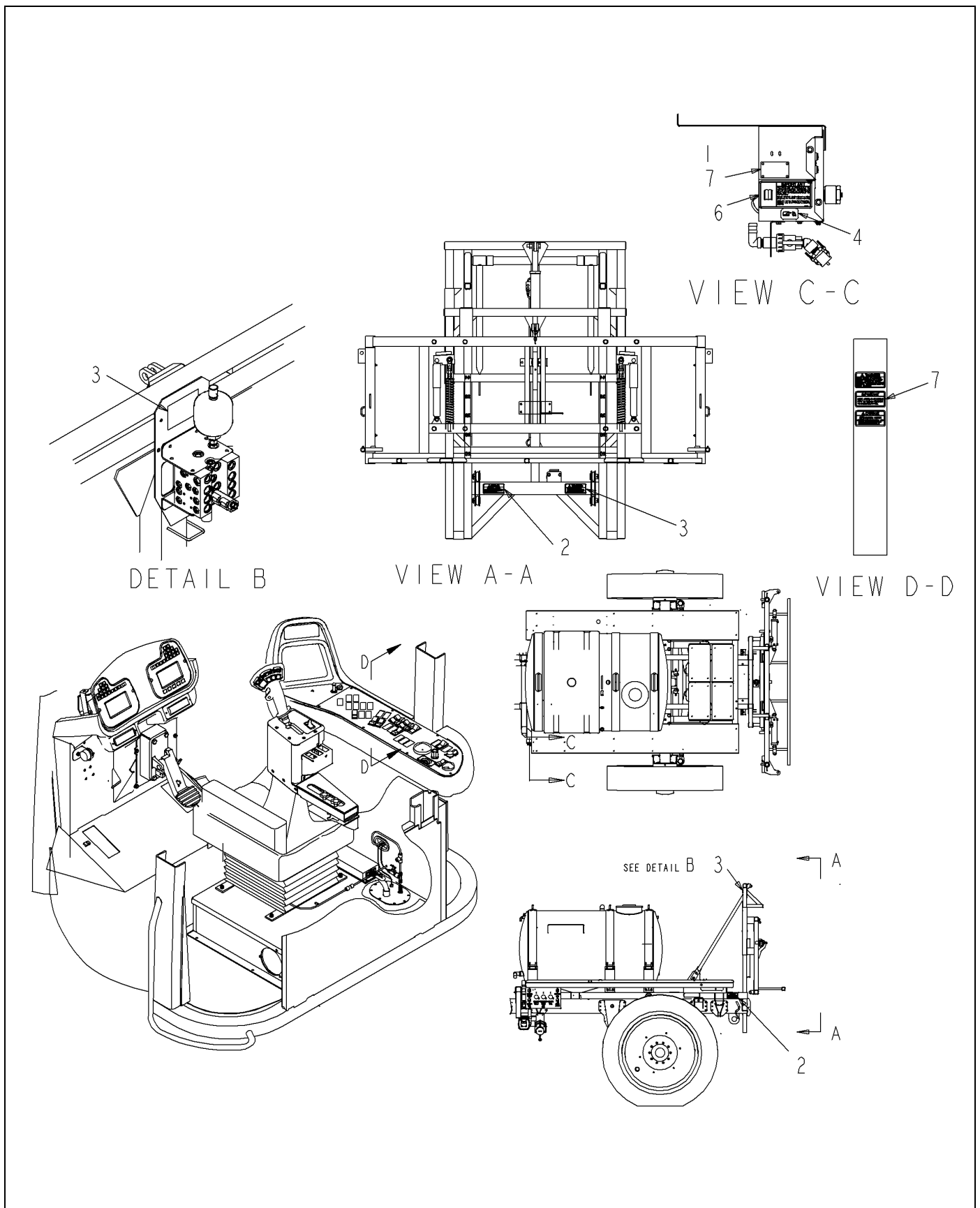




519080D1-01-R284-.TIF

DECAL INSTL-LIQ SYS,8/10X4,ENG

ITEM	PART #	QTY	DESCRIPTION	COMMENTS
1	AG201588	1	PLATE SERIAL # AG-CHEM 2.0X3.5	
2	AG229555	3	DECAL-DANGER,MOVING PARTS	[A]
3	AG234703	2	DECAL-WARNING,VALVE MNL OVRD	[B]
4	AG237562	1	DECAL-FRESH WATER RELOAD	
5	AG260869	1	DECAL-INFORMATION,RESPONSIBILI	
6	AG554863	4	RIVET POP 0.12X0.62 DOME-HD AL	
	FOOTNOTE [A]		SPANISH DECAL: AG237874	
	FOOTNOTE [B]		SPANISH DECAL: AG237895	



519081D1-01-R284-.TIF

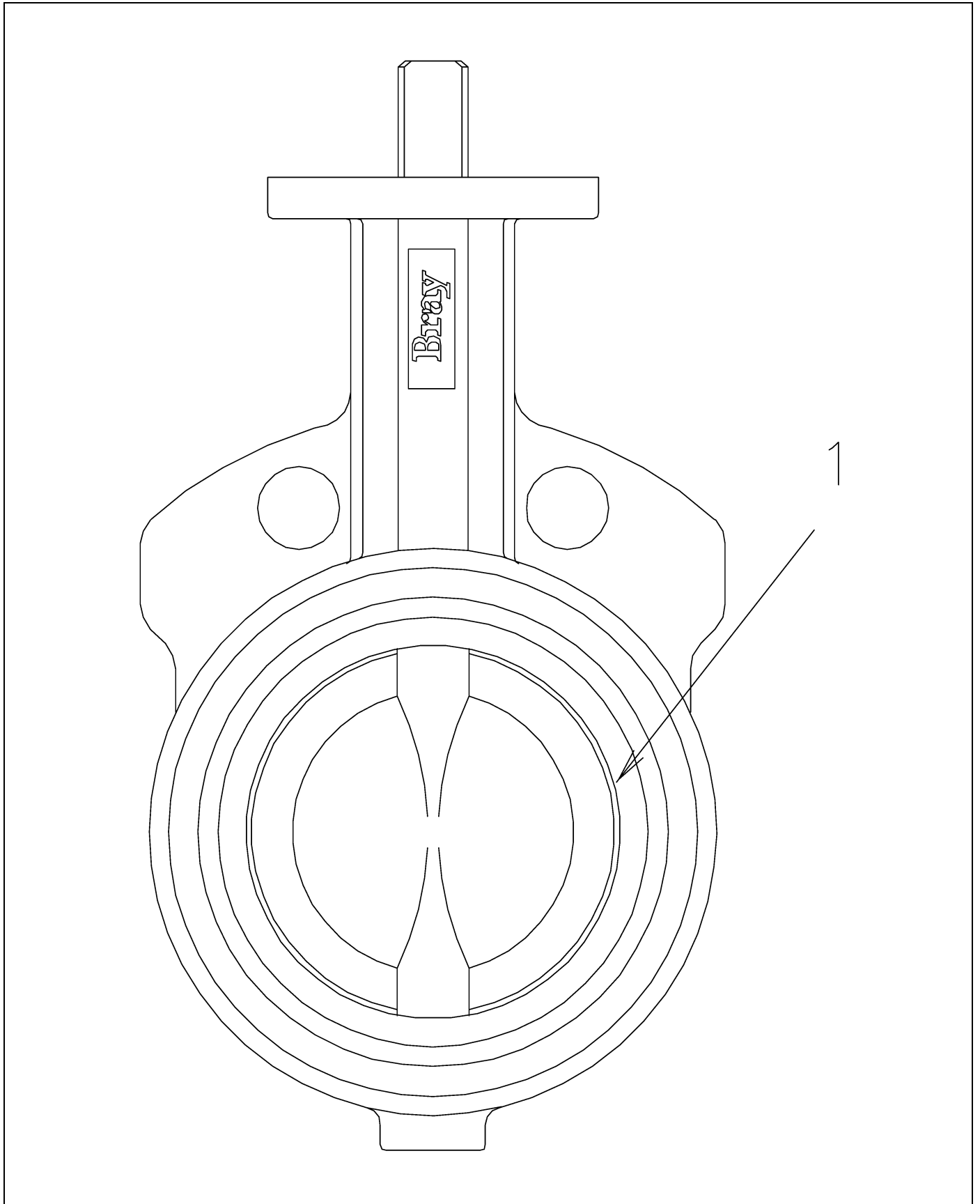
DECAL INSTL-LIQ SYS,12X4,ENG

ITEM	PART #	QTY	DESCRIPTION	COMMENTS
1	AG201588	1	PLATE SERIAL # AG-CHEM 2.0X3.5	
2	AG229555	3	DECAL-DANGER,MOVING PARTS	[A]
3	AG234703	2	DECAL-WARNING,VALVE MNL OVRD	[B]
4	AG237562	1	DECAL-FRESH WATER RELOAD	
5	AG260121	1	DECAL-IMPORTANT,BM OPN	
6	AG260869	1	DECAL-INFORMATION,RESPONSIBILI	
7	AG554863	4	RIVET POP 0.12X0.62 DOME-HD AL	
	FOOTNOTE [A]		SPANISH DECAL: AG237874	
	FOOTNOTE [B]		SPANISH DECAL: AG237895	

TABLE OF CONTENTS

PRESSURE WASHER AND HEAD RINSE GROUP

VALVE-BTFL,2.00	10-1
TANK INSTL-RINSE, TOP, 1240GL	10-2
TANK INSTL-RINSE, RH SIDE, 55GL	10-3
TANK ASM-RINSE, 55GL	10-4
TANK INSTL-RINSE, TOP	10-5
TANK REWORK-100GL, POLY	10-6
TANK INSTL-RINSE, TOP, 1080GL	10-7
PLMB INSTL-PRES, W/O CHEM INJ	10-8
OPT-PLMB, P/W	10-9

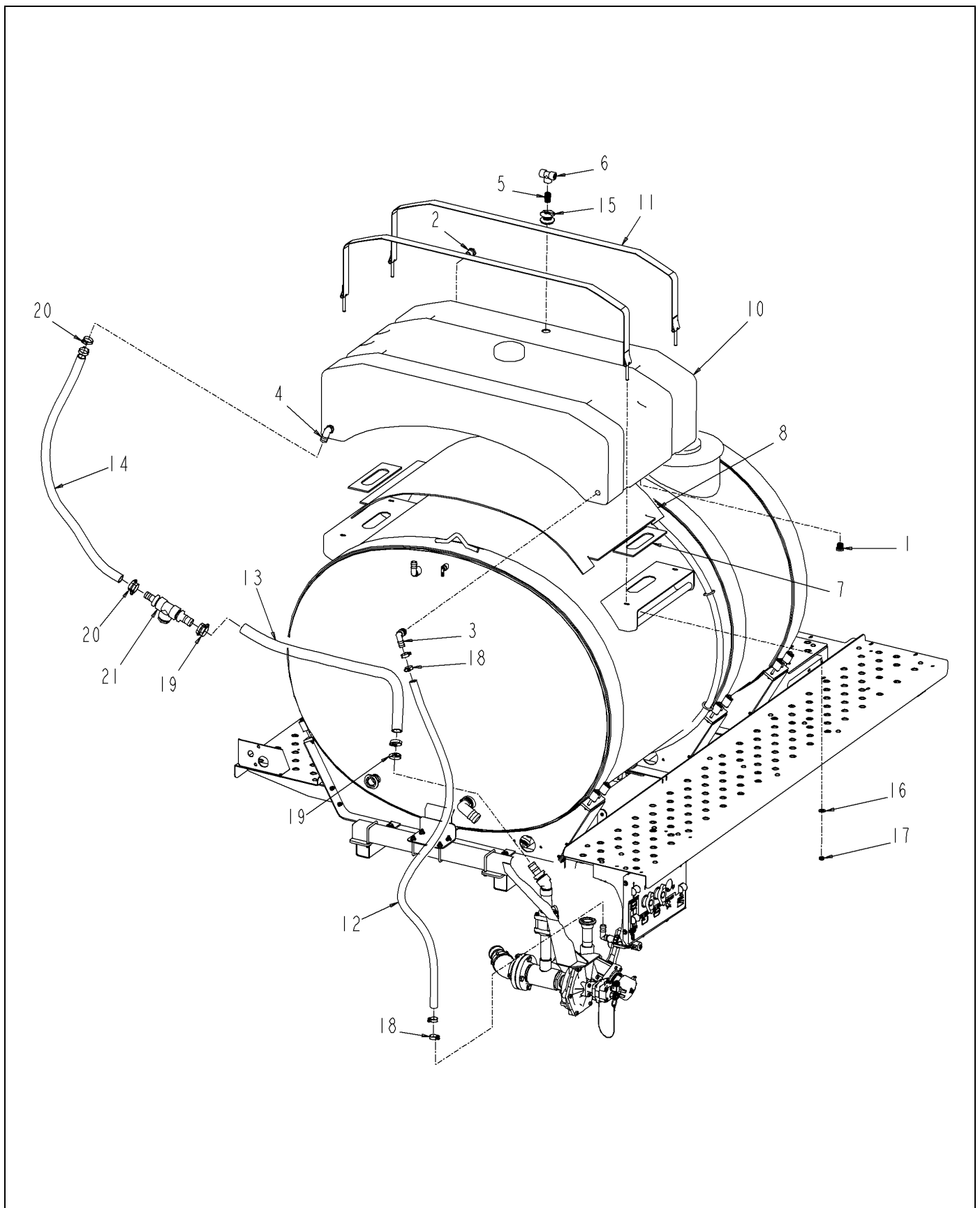


520373-C.TIF

VALVE-BTFL,2.00

ITEM	PART #	QTY	DESCRIPTION	COMMENTS
1	AG717133	1	KIT-REPAIR,VALVE 2.00	[A]
	FOOTNOTE [A]		AG714004 NY BUSHING (INCLUDED IN REPAIR KIT)	

TANK INSTL-RINSE, TOP, 1240GL



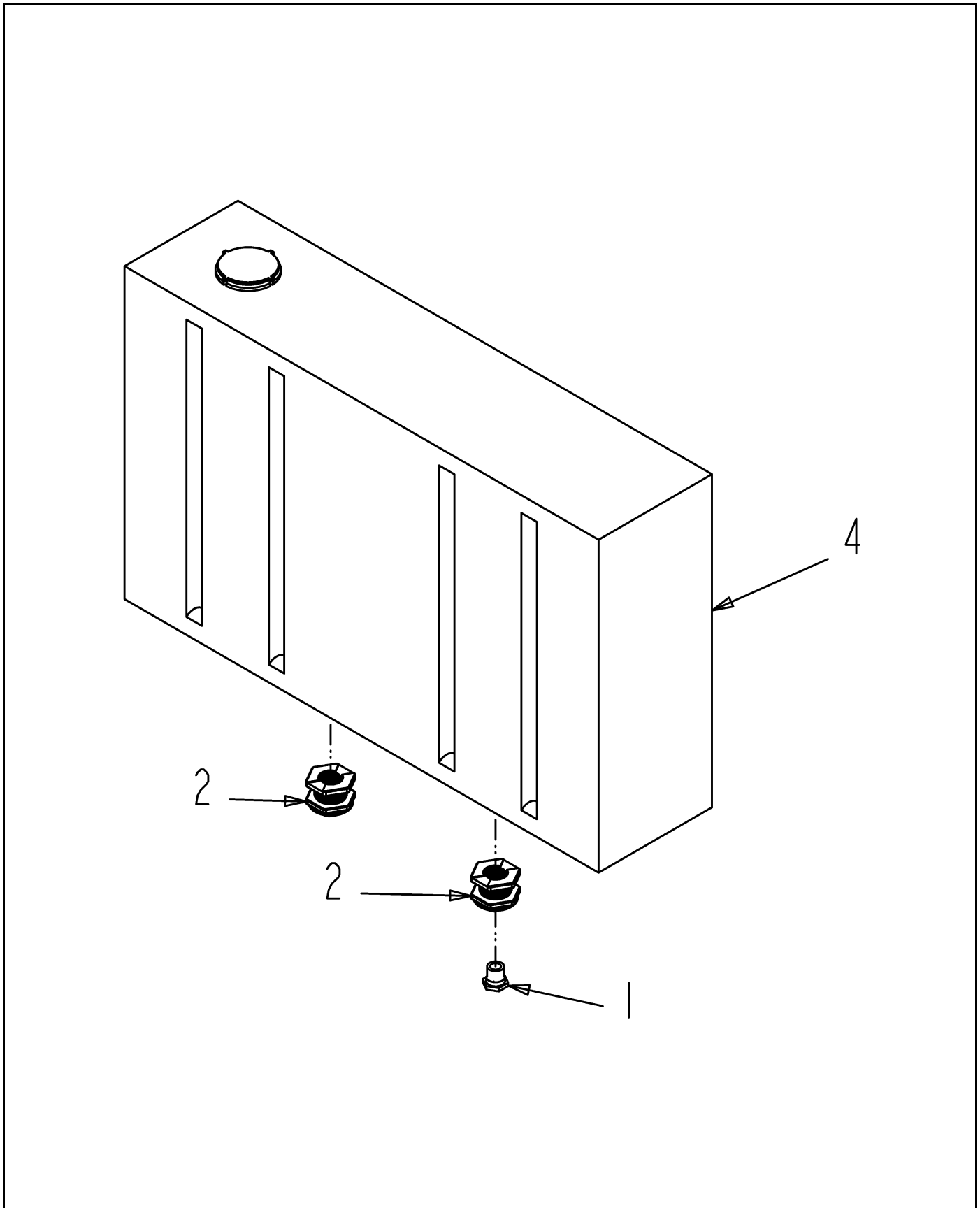
122202-05-R506-.TIF

TANK INSTL-RINSE, TOP, 1240GL

ITEM	PART #	QTY	DESCRIPTION	COMMENTS
1	AG051134	3	PLUG-PIPE,HEX,0.75NPT,PP	
2	AG051135	1	PLUG-PIPE,HEX,1.00NPT,PP	
3	AG051145	1	ELBOW 90D 1.00NPTX1.00 BARB PP	
4	AG051146	1	ELBOW 90D 1.00NPTX1.25 BARB PP	
5	AG051151	1	NIPPLE-PIPE,0.75NPTXCLS,PP	
6	AG051161	1	TEE,PIPE,0.75FNPT,PP	
7	AG121864	2	MATTING-RUBBER,,25X13.50X3.50	
8	AG122859	1	MATTING-RUBBER,TANK,RINSE, TOP	
9	AG129187	AR	PIPE SEALANT-FLEX BLACK	
10	AG328859	1	TANK-REWORK	SEE PAGE 1-14
11	AG423867	2	STRAP-MTG,RINSE TANK	
12	AG511528	-	HOSE 1.00 2BRD EPDM [BULK: 6.417 FT]	
13	AG512230	-	HOSE 1.50 2BRD EPDM [BULK: 3.917 FT]	
14	AG513393	-	HOSE 1.25 2BRD EPDM [BULK: 4.875 FT]	
15	AG515295	1	FITTING TANK 0.75 DOUBLE THRD	[A]
16	AG550353	4	WASHER 0.50 FL ZN REG TYPE-B	
17	AG559253	4	NUT 0.50-13NC HEX ZN C-LK	
18	AG561213	4	CLAMP 0.81-1.50 HOSE 16HS	
19	AG561218	4	CLAMP 1.31-2.25 HOSE 28HS	
20	AG561231	4	CLAMP 1.06-2.00 HOSE 24HS	
21	520580D1	1	TEE ASM-1.50,125HBXPLUGX150HB	
	FOOTNOTE [A]		AG608613 NUT, AG608615 O-RING, AG608617 FITTING	

TANK INSTL-RINSE,RH SIDE,55GL

ITEM	PART #	QTY	DESCRIPTION	COMMENTS
1	AG000766	1	BARB-HOSE,1.50MNPTX1.50BARB,PP	
2	AG050253	1	NIPPLE-PIPE,1.50NPTXCLS,PP	
3	AG050273	2	TEE,PIPE,1.50FNPT,PP	
4	AG051146	1	ELBOW 90D 1.00NPTX1.25 BARB PP	
5	AG051533	1	BARB-HOSE,1.50MNPTX1.00BARB,PP	
6	AG051534	1	BARB-HOSE,1.50MNPTX1.25BARB,PP	
7	AG108486	1	RUBBER MATTING	
8	AG108487	6	RUBBER MATTING	
9	AG129187	AR	PIPE SEALANT-FLEX BLACK	
10	AG136200	1	TANK ASM-RINSE,55GL	SEE PAGE 10-4
11	AG327117	1	BRACKET WLDMT-RINSE TANK,RH	
12	AG327284	1	BRACKET WLDMT-RINSE TANK,LH	
13	AG511528	-	HOSE 1.00 2BRD EPDM [BULK: 7 FT]	
14	AG512230	-	HOSE 1.50 2BRD EPDM [BULK: 5.167 FT]	
15	AG512346	AR	3M 1300 YELLOW ADHESIVE (GAL)	
16	AG513393	-	HOSE 1.25 2BRD EPDM [BULK: 1.917 FT]	
17	AG522149	1	PLUG-PIPE,HEX,1.50NPT,PP	
18	AG523688	1	CLAMP-2.75 DIA,COATED HOSE	
19	AG550132	3	BOLT .50-13NCX 2 G5 ZN HDD	
20	AG550353	12	WASHER 0.50 FL ZN REG TYPE-B	
21	AG559253	9	NUT 0.50-13NC HEX ZN C-LK	
22	AG561213	4	CLAMP 0.81-1.50 HOSE 16HS	
23	AG561218	4	CLAMP 1.31-2.25 HOSE 28HS	
24	AG561231	4	CLAMP 1.06-2.00 HOSE 24HS	

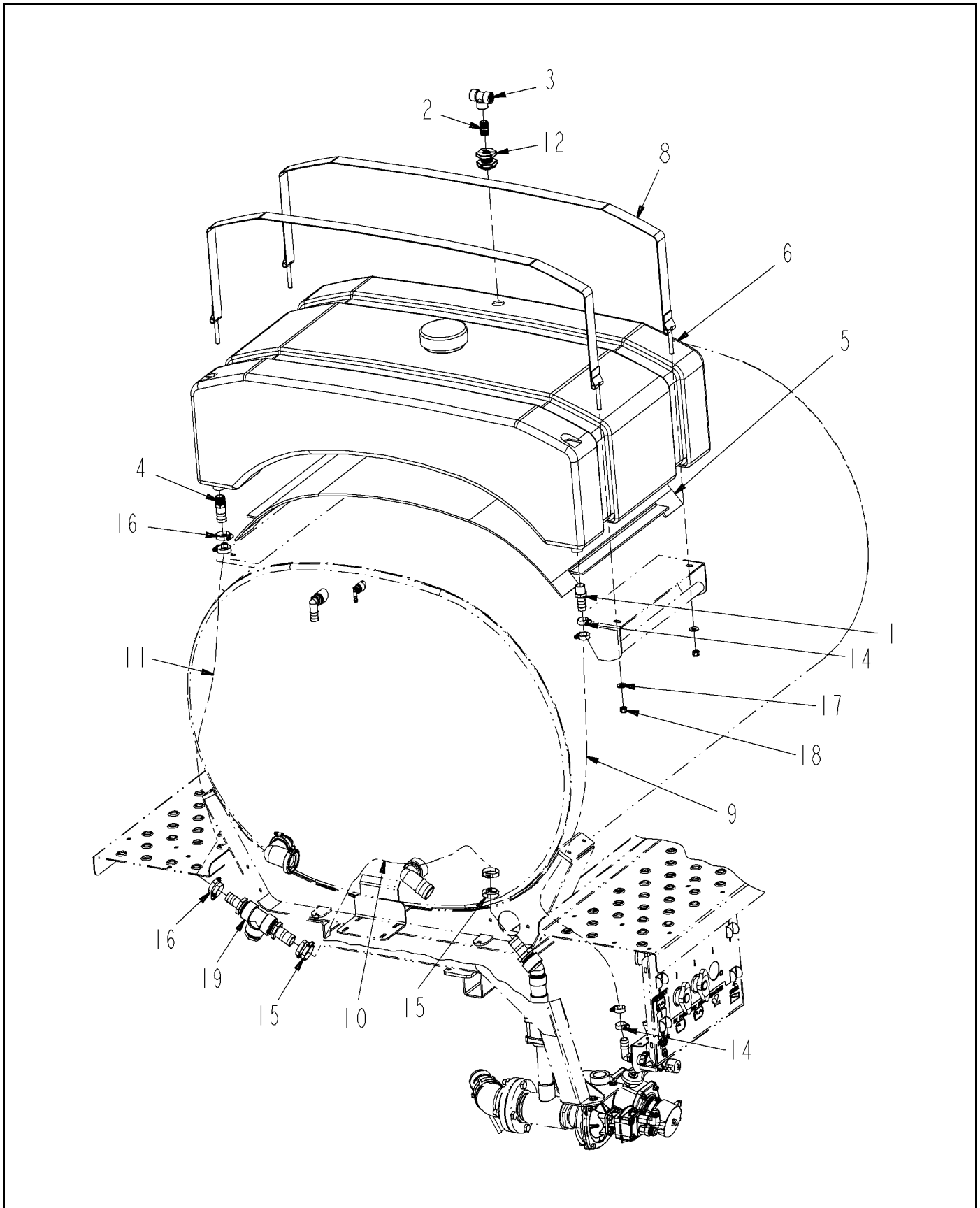


136200-01-M887.TIF

TANK ASM-RINSE,55GL

ITEM	PART #	QTY	DESCRIPTION	COMMENTS
1	AG051135	1	PLUG-PIPE,HEX,1.00NPT,PP	
2	AG054739	2	TANK FITTING 1.00 POLY	
3	AG129187	AR	PIPE SEALANT-FLEX BLACK	
4	AG517892	1	TANK 55 GAL POLY W/3 IN CAP	[A]
	FOOTNOTE [A]		LID AG052940, LID GASKET AG052941	

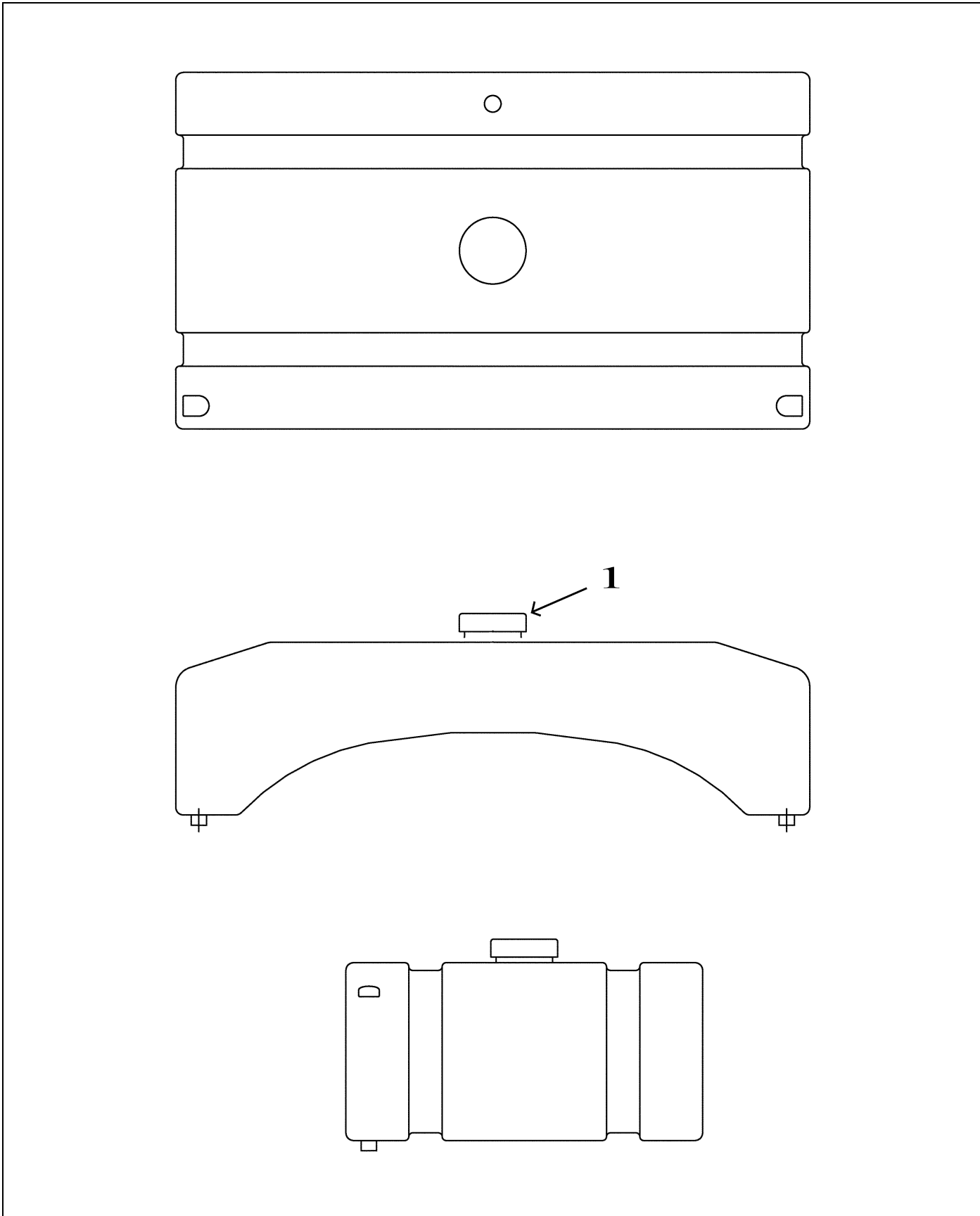
TANK INSTL-RINSE, TOP



424494-07-R506-.TIF

TANK INSTL-RINSE, TOP

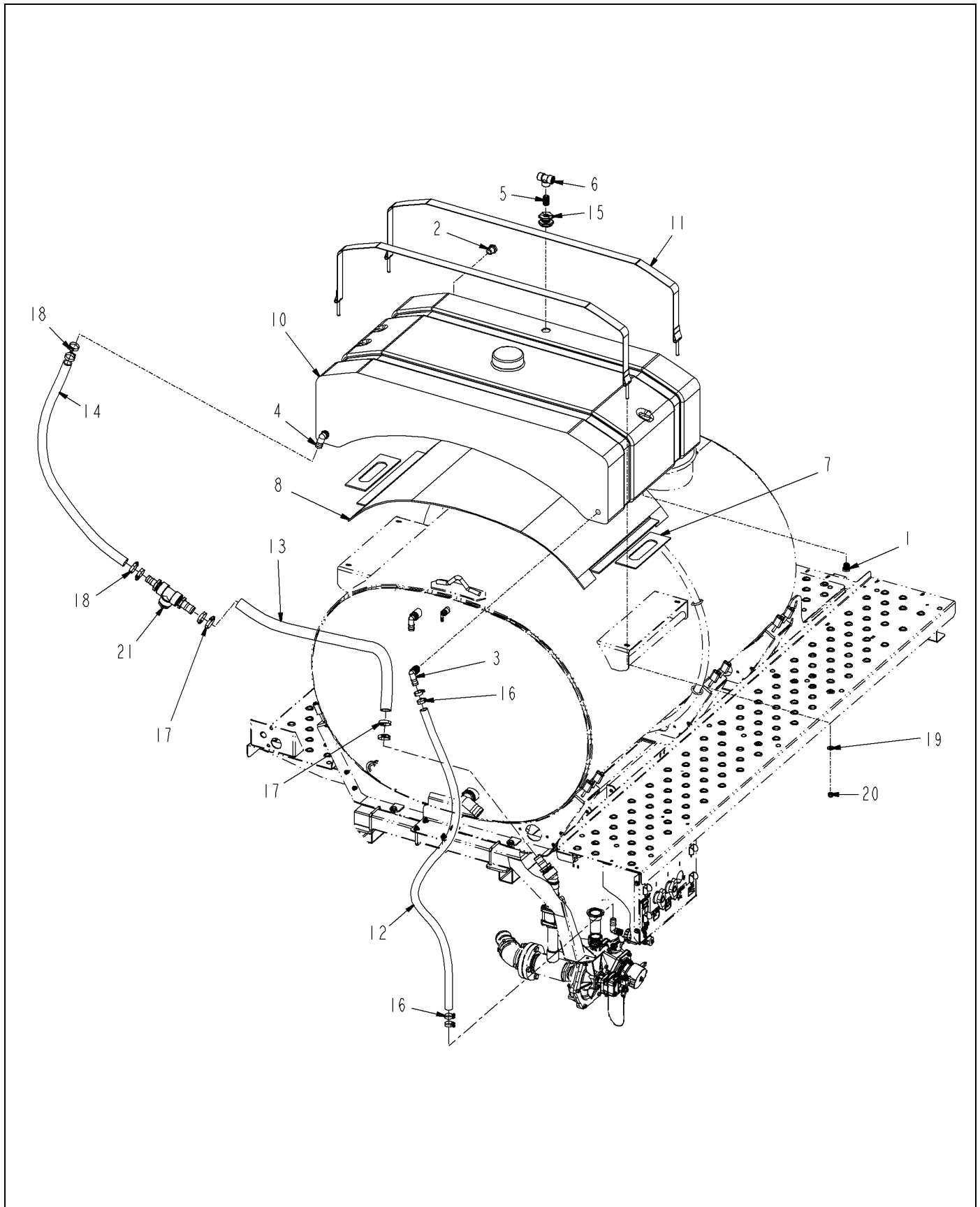
ITEM	PART #	QTY	DESCRIPTION	COMMENTS
1	AG051059	1	BARB-HOSE,1.00MNPTX1.00BARB,PP	
2	AG051151	1	NIPPLE-PIPE,0.75NPTXCLS,PP	
3	AG051161	1	TEE,PIPE,0.75FNPT,PP	
4	AG051183	2	BARB-HOSE,1.00MNPTX1.25BARB,PP	
5	AG122859	1	MATTING-RUBBER,TANK,,RINSE, TOP	
6	AG122879	1	TANK REWORK-100GL,POLY	SEE PAGE 10-6
7	AG129187	AR	PIPE SEALANT-FLEX BLACK	
8	AG423867	2	STRAP-MTG,RINSE TANK	
9	AG511528	-	HOSE 1.00 2BRD EPDM [BULK: 5.209 FT]	
10	AG512230	-	HOSE 1.50 2BRD EPDM [BULK: 3.917 FT]	
11	AG513393	-	HOSE 1.25 2BRD EPDM [BULK: 5.250 FT]	
12	AG515295	1	FITTING TANK 0.75 DOUBLE THRD	[A]
13	AG553557	AR	TIE CABLE 7.37 .06-1.37 BLACK	
14	AG561213	4	CLAMP 0.81-1.50 HOSE 16HS	
15	AG561218	4	CLAMP 1.31-2.25 HOSE 28HS	
16	AG561231	4	CLAMP 1.06-2.00 HOSE 24HS	
17	AG562046	4	WASHER 0.50 FL SS REG TYPE-B	
18	AG601152	4	NUT 0.50-13NC HEX ZN REG NY	
19	520580D1	1	TEE ASM-1.50,125HBXPLUGX150HB	
	FOOTNOTE [A]		AG608613 NUT, AG608615 O-RING, AG608617 FITTING	



122879.TIF

TANK REWORK-100GL,POLY

ITEM	PART #	QTY	DESCRIPTION	COMMENTS
1	AG711024	1	LID REPLACEMENT TOP TNK(711002)	[A]
	FOOTNOTE [A]		MOUNT ONLY-AG516798, STRAP ONLY-AG711871, THIS LID IS 6 DIAMETER	
	FOOTNOTE [A]		USE AG007302 ON KOCH TANKS.	



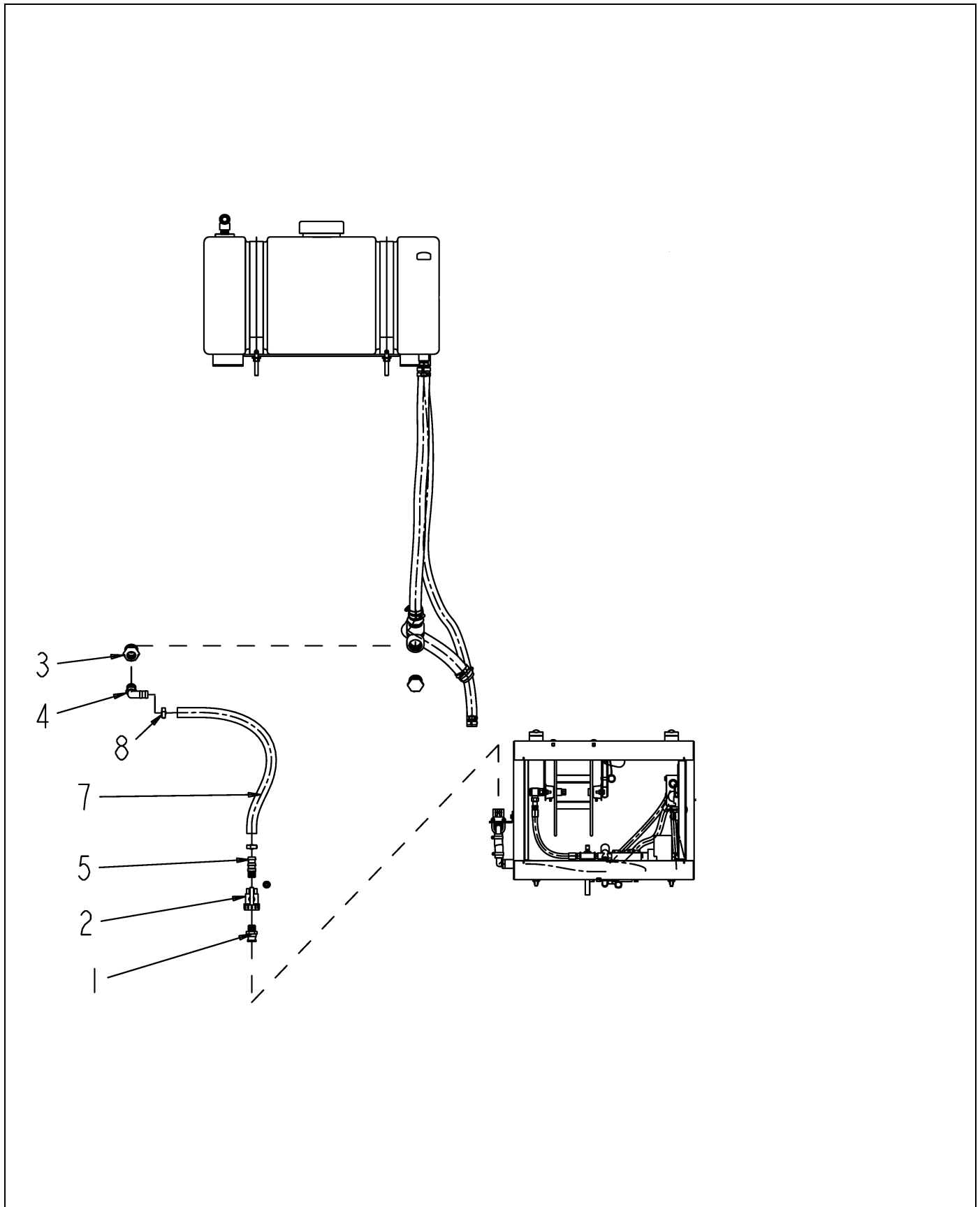
121862-05-R506-.TIF

TANK INSTL-RINSE, TOP, 1080GL

ITEM	PART #	QTY	DESCRIPTION	COMMENTS
1	AG051134	3	PLUG-PIPE,HEX,0.75NPT,PP	
2	AG051135	1	PLUG-PIPE,HEX,1.00NPT,PP	
3	AG051145	1	ELBOW 90D 1.00NPTX1.00 BARB PP	
4	AG051146	1	ELBOW 90D 1.00NPTX1.25 BARB PP	
5	AG051151	1	NIPPLE-PIPE,0.75NPTXCLS,PP	
6	AG051161	1	TEE,PIPE,0.75FNPT,PP	
7	AG121864	2	MATTING-RUBBER,,25X13.50X3.50	
8	AG122859	1	MATTING-RUBBER,TANK,RINSE, TOP	
9	AG129187	AR	PIPE SEALANT-FLEX BLACK	
10	AG328859	1	TANK-REWORK	SEE PAGE 1-14
11	AG423867	2	STRAP-MTG,RINSE TANK	
12	AG511528	-	HOSE 1.00 2BRD EPDM [BULK: 5.959 FT]	
13	AG512230	-	HOSE 1.50 2BRD EPDM [BULK: 3.917 FT]	
14	AG513393	-	HOSE 1.25 2BRD EPDM [BULK: 4.375 FT]	
15	AG515295	1	FITTING TANK 0.75 DOUBLE THRD	[A]
16	AG561213	4	CLAMP 0.81-1.50 HOSE 16HS	
17	AG561218	4	CLAMP 1.31-2.25 HOSE 28HS	
18	AG561231	4	CLAMP 1.06-2.00 HOSE 24HS	
19	AG562046	4	WASHER 0.50 FL SS REG TYPE-B	
20	AG601152	4	NUT 0.50-13NC HEX ZN REG NY	
21	520580D1	1	TEE ASM-1.50,125HBXPLUGX150HB	
	FOOTNOTE [A]		AG608613 NUT, AG608615 O-RING, AG608617 FITTING	

PLMB INSTL-PRES,W/O CHEM INJ

ITEM	PART #	QTY	DESCRIPTION	COMMENTS
1	AG000767	1	BARB-HOSE,2.00MNPTX2.00BARB,PP	
2	AG000773	3	GASKET 2.00 EPDM	
3	AG129187	-	PIPE SEALANT-FLEX BLACK	
4	AG134343	1	TEE ASM-MANG,220X100,RLF VALVE	SEE PAGE 2-25
5	AG327785	1	MANIFOLD WLDMT-REAR,PRESS PLMB	
6	AG327850	3	BRKT-CLAMP,HOSE,PRESSURE	
7	AG327928	1	BRKT-FLOWMETER	
8	AG511722	-	HOSE-2.00,WIRE BRAID,EPDM [BULK: 7.521 FT]	
9	AG513385	-	HOSE,MED.PRESS 0.75 2BRD EPDM [BULK: 0.292 FT]	
10	AG518340	3	CLAMP 2.50 BLACK POLY (RTG)	
11	AG519861	AR	PROTECTOR HOSE 6.00 IN EPHA	
12	AG522044	1	CLAMP-MUFFLER,2.50,SS	
13	AG522894	1	CONN-2.00 FLG X2.00 HOSE BARB	
14	AG522895	3	CLAMP-WORM SCREW,2.00,SS	
15	AG523940	3	PLATE-WELD,SINGLE,GROUP 7	
16	AG550175	10	BOLT 0.37-16NCX 1.00 G5 ZN HHD	
17	AG550191	10	WASHER 0.37 LK ZN REG	
18	AG550825	10	NUT 0.37-16NC HEX ZN REG	
19	AG551007	4	WASHER 0.37 FL ZN REG TYPE-B	
20	AG561229	4	CLAMP 0.68-1.25 HOSE 12HS	
21	AG561630	8	CLAMP 2.28-2.59HOSE VOSS-250SS	
22	AG562148	6	BOLT 0.25-20NCX 4.00 G5 ZN HHD	



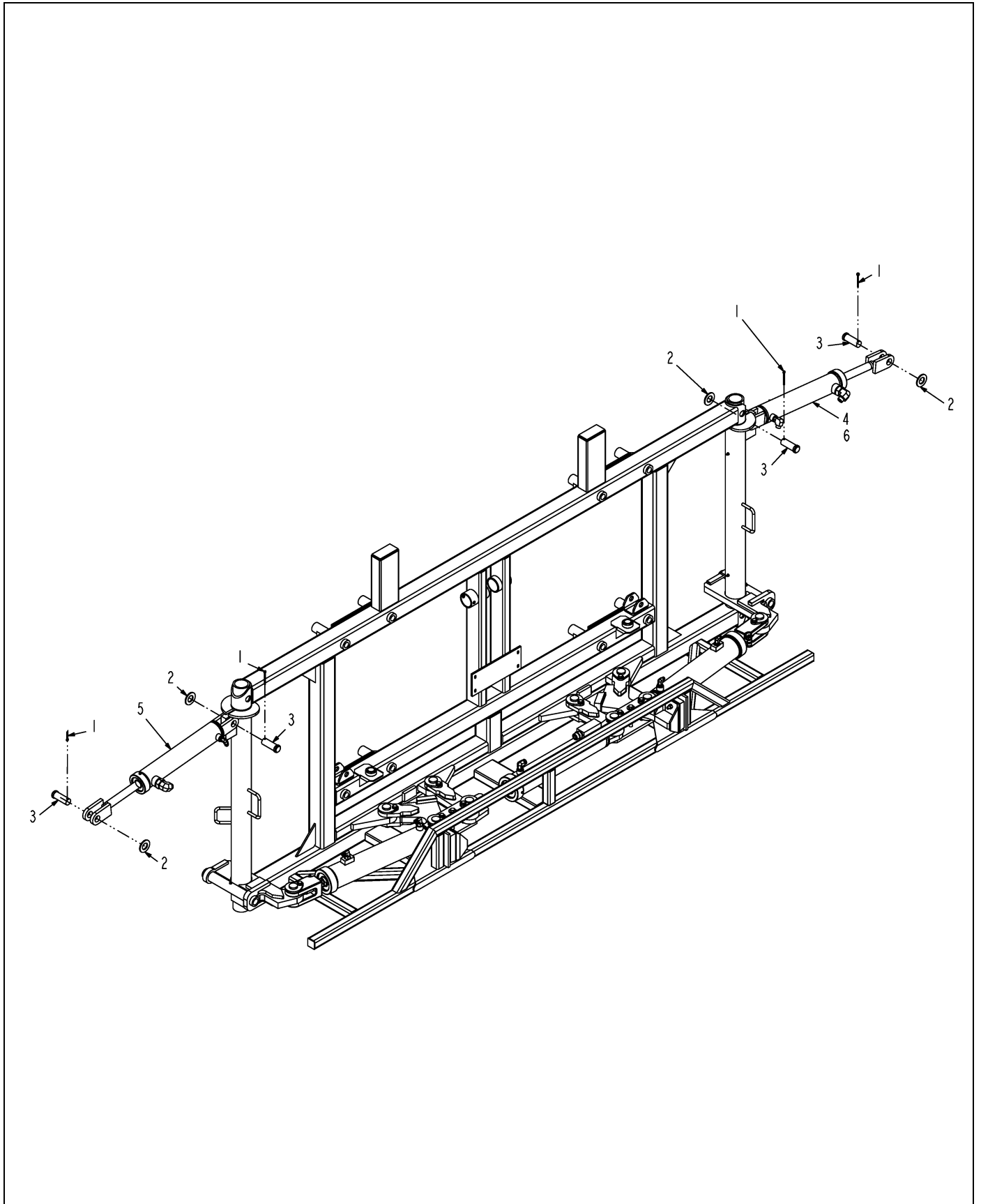
327800-C.tif

OPT-PLMB,P/W

ITEM	PART #	QTY	DESCRIPTION	COMMENTS
1	AG006671	1	ADAPTER 0.75NPTX0.75MALE	
2	AG050205	1	VALVE 0.75 NPT BALL UNION POLY	SEE PAGE 4-45
3	AG050257	1	BSHG-RDCR,HEX,1.50X1.00NPT,PP	
4	AG051145	1	ELBOW 90D 1.00NPTX1.00 BARB PP	
5	AG051181	1	BARB-HOSE,0.75MNPTX1.00BARB,PP	
7	AG511528	-	HOSE 1.00 2BRD EPDM [BULK: 2.100 FT]	
8	AG561213	2	CLAMP 0.81-1.50 HOSE 16HS	

CYL INSTL-TLT,AUTOBM,80/90/100	11-1
HOSE INSTL-HYD,W/AUTOBOOM,BM	11-2
HOSE INSTL-HYD,W/AUTOBOOM,BM	11-3
HOSE INSTL-HYD,W/AUTOBOOM,BM	11-4
HOSE INSTL-HYD,W/AUTOBOOM,BM	11-5
BLOCK ASM-HYD,AUTOBOOM,G2	11-6
BLOCK ASM-HYD,W/AUTOBOOM,BM	11-7
CYLINDER ASM-TILT,BOOM,120,RH	11-8
CYLINDER ASM-TILT,BOOM,120,LH	11-9
CYLINDER ASM-4.00,BM BREAKAWAY	11-10
HOSE INSTL-HYD,W/AUTOBM,BM,120	11-11
HOSE INSTL-HYD,W/AUTOBM,BM,120	11-12
HOSE INSTL-HYD,W/AUTOBM,BM,120	11-13
HOSE INSTL-HYD,W/AUTOBM,BM,120	11-14
NOZZLE ASM-FENCE ROW,10/20,PP	11-15
PARTS-SERV,NOZ VALV,(508196D1)	11-16
NOZZLE ASM-FENCE ROW,10/20,SS	11-17
NOZZLE ASM-FENCE ROW,15,SS	11-18
CYL ASM-TILT,BM,W/AUTOBOOM,RH	11-19
CYL ASM-TILT,BM,W/AUTOBOOM,LH	11-20
NODE INSTL-CAN,AUTOBOOM,RAVEN	11-21
BLK ASM-HYD,BM,NO AUTOBM,SM BM	11-22
KIT INSTL-LOW RATE,8/10/12X4	11-23
WHEEL INSTL-AUTOBOOM,120	11-24
FORK ASM-WHEEL,AUTOBOOM	11-25
HUB WLDMT-WHEEL,AUTOBOOM	11-26
WHEEL INSTL-AUTOBOOM,80/90/100	11-27
OPT-CHEM EDUCTOR,PE CLEANLOAD	11-28
OPT-SUMP VALVE,3.00,ELEC	11-29
SYS INSTL-BCO,BM TREE,5.00 SL	11-30
AWFL INSTL-BRKAWAY,120 BM,RC	11-31
AWFL INSTL-BRKAWAY,120 BM,RC	11-32
WHEEL INSTL-CUSH,AUTOBOOM,120	11-33
WHEEL/AXLE ASM-CUSH,AUTOBM,LH	11-34
AXLE ASM-CUSH,AUTOBM,LH	11-35
WHEEL/AXLE ASM-CUSH,AUTOBM,RH	11-36
AXLE ASM-CUSH,AUTOBM,RH	11-37
CYL ASM-TILT,W/O AUTOBM,120,LH	11-38
HOSE INSTL-HYD,W/O AUTOBM,120	11-39
HOSE INSTL-HYD,W/O AUTOBM,120	11-40
HOSE INSTL-HYD,W/O AUTOBM,120	11-41
HOSE INSTL-HYD,W/O AUTOBM,120	11-42
CYL INSTL-TILT,W/AUTOBOOM,120	11-43
HOSE INSTL-HYD,W/AUTOBOOM,120	11-44
HOSE INSTL-HYD,W/AUTOBOOM,120	11-45
HOSE INSTL-HYD,W/AUTOBOOM,120	11-46
HOSE INSTL-HYD,W/AUTOBOOM,120	11-47
BLOCK-VALVE,7BANK,W/AUTOBOOM	11-48
BLOCK-VALVE,7BANK,W/AUTOBOOM	11-49
WHEEL INSTL-AUTOBM,80/90/100	11-50
PLMB INSTL-PRESS,W/CHEM INJ	11-51

ARM ASM-WHEEL,AUTOBOOM,120	11-52
SENSOR INSTL-AUTOBOOM,80FT	11-53
SNSR-ULTRASONIC,AUTOBM,RH MTG	11-54
SNSR-ULTRASONIC,AUTOBM,LH MTG	11-55
BRKT ASM-MTG,80,SNSR,AUTOBM	11-56
SENSOR INSTL-AUTOBOOM,90/100FT	11-57
SENSOR INSTL-ADD,AUTOBM,90/100	11-58
BRKT ASM-MTG,ANG,SNSR,LH	11-59
BRKT ASM-MTG,ANG,SNSR,RH	11-60
ARM ASM-WHEEL,AUTOBM,80/90/100	11-61
CONT INSTL-AUTOBOOM,G2,8/10X4	11-62
PUMP INSTL-LOOP1,RVN,RG	11-63
PUMP ASM-INJ,RVN	11-64
PUMP INSTL-LOOP2,RVN,RG	11-65
PLMB/TANK INSTL-INJ,RH,RG	11-66
PLMB/TANK INSTL-INJ,RH,RG	11-67
PLMB/TANK INSTL-INJ,DUAL,RG	11-68
PLMB/TANK INSTL-INJ,DUAL,RG	11-69
PLMB/TANK INSTL-INJ,LH,RG	11-70
PLMB/TANK INSTL-INJ,LH,RG	11-71
OPT-CHEM EDUCTOR,SS	11-72
SNSR INSTL-AUTOBOOM,120FT	11-73
ARM ASM-MTG,WHL,CUSH,120	11-74
ARM ASM-MTG,WHL,CUSH,120	11-75
SNSR INSTL-ADD,AUTOBM,90/100	11-76
BLK INSTL-HYD,W/AUTOBM,SM BM	11-77
HARN INSTL-SYS,AUTOBOOM,CAN	11-78
HARN INSTL-SYS,AUTOBOOM,CAN	11-79
HARN INSTL-SYS,AUTOBOOM,CAN	11-80
CONT INSTL-AUTOBM,CAN,12XX/SS	11-81
HARN INSTL-CAB,AUTOBM,12XX/SS	11-82
HARN INSTL-CAB,AUTOBM,12XX/SS	11-83
HARN INSTL-CAB,AUTOBM,12XX/SS	11-84
HARN INSTL-CAB,AUTOBM,12XX/SS	11-85
TUBE INSTL-W/O LOW RATE KIT	11-86
CONT INSTL-AUTOBOOM,G2,12X4	11-87
OPT-W/O CHEM EDUCTOR	11-88
OPT-NOZ,5WAY,RTRY,90X10,ON	11-89
OPT-NOZ,5WAY,RTRY,90X20,OFF	11-90
OPT-NOZ,5WAY,RTRY,100X10,ON	11-91
OPT-NOZ,5WAY,RTRY,100X20,OFF	11-92

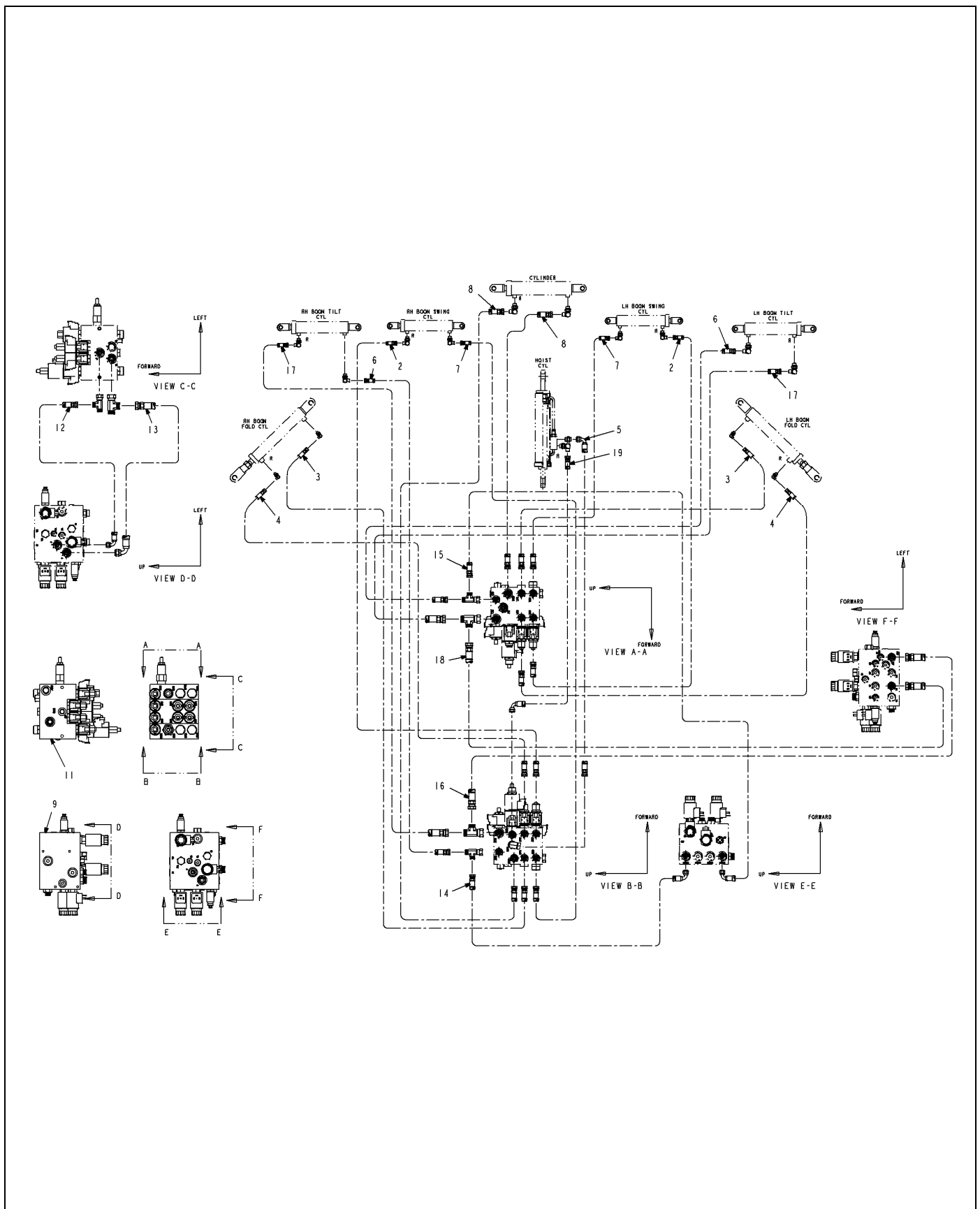


512597D1-01-N562-.TIF

CYL INSTL-TLT,AUTOBM,80/90/100

ITEM	PART #	QTY	DESCRIPTION	COMMENTS
1	AG515352	4	PIN COTTER 0.18X2.00 SS	
2	AG551856	4	WASHER 1.00 FL ZN SAE TYPE-A	
3	AG602132	4	PIN CLEVIS 1.00X2.62 ZN	[A]
4	512600D1	1	CYL ASM-TILT,BM,W/AUTOBOOM,RH	SEE PAGE 11-19
5	512601D1	1	CYL ASM-TILT,BM,W/AUTOBOOM,LH	SEE PAGE 11-20
6	512602D1	1	HOSE INSTL-HYD,W/AUTOBOOM,BM	SEE PAGE 11-5
	FOOTNOTE [A]		GREASABLE PIN IS 519637	

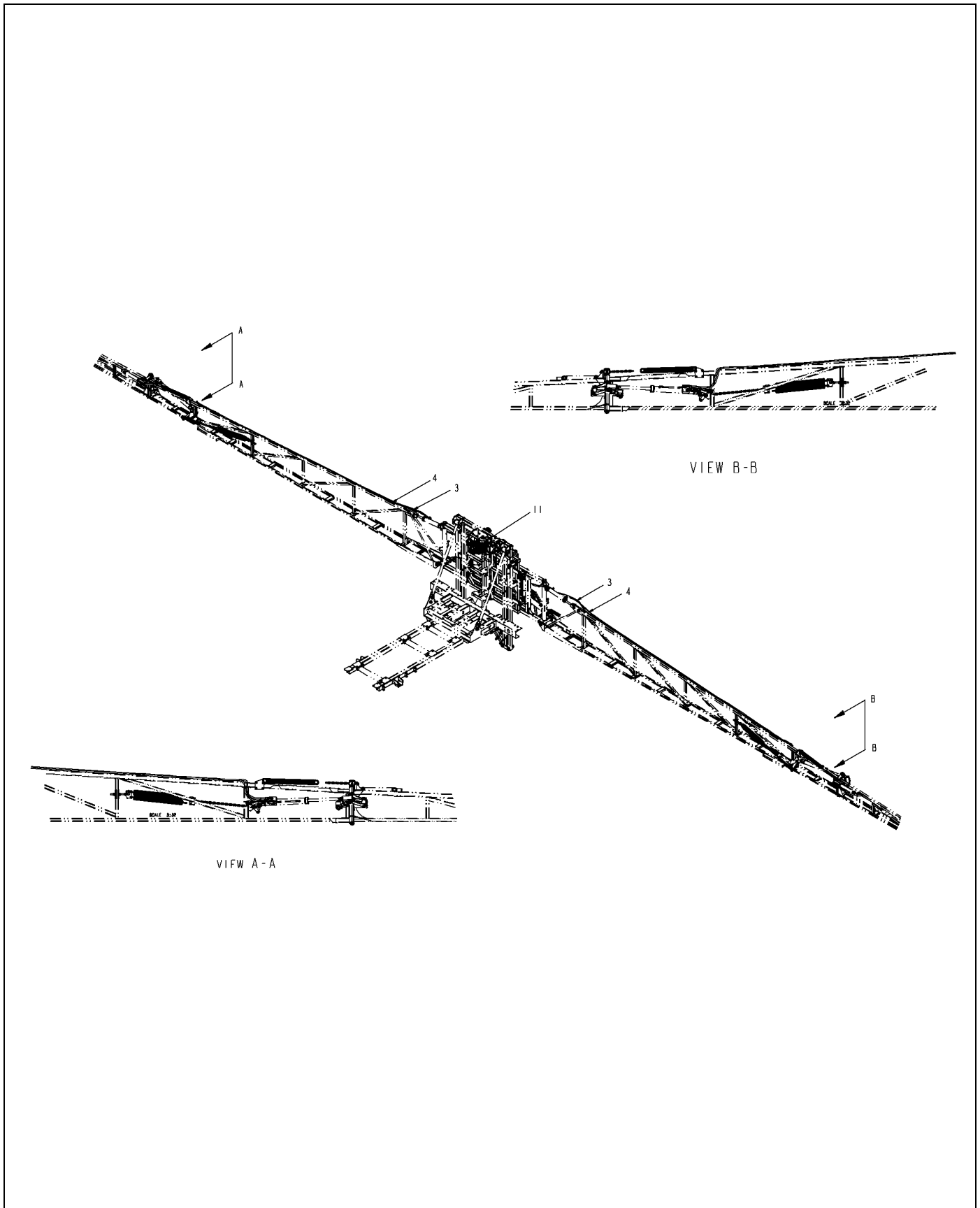
HOSE INSTL-HYD,W/AUTOBOOM,BM



512602D1-01-N562-01.TIF

HOSE INSTL-HYD,W/AUTOBOOM,BM

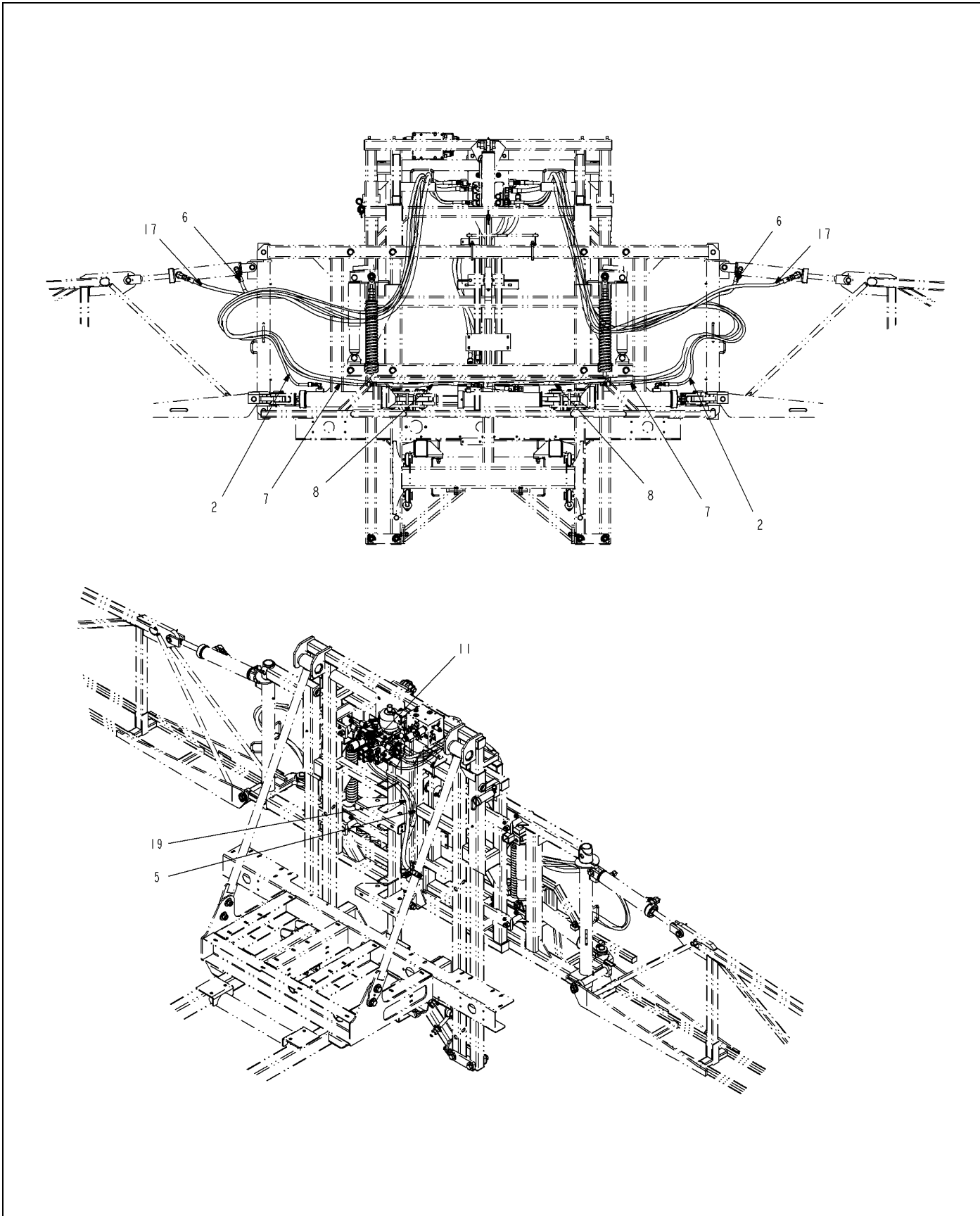
ITEM	PART #	QTY	DESCRIPTION	COMMENTS
1	AG553557	AR	TIE CABLE 7.37 .06-1.37 BLACK	
2	512544D1	-	HOSE ASM,-4X158.0 ORFS/ORFS	
3	512545D1	-	HOSE ASM,-4X399.0 6ORFS/ORFS	
4	512546D1	-	HOSE ASM,-4X417.0 6ORFS/ORFS	
5	512547D1	-	HOSE ASM,-8X60.0 ORFS/ORFS90	
6	512548D1	-	HOSE ASM,-6X126.0 ORFS/ORFS	
7	512549D1	-	HOSE ASM,-4X168.0 6ORFS/ORFS	
8	512550D1	-	HOSE ASM,-8X200.0 ORFS/ORFS	
9	512603D1	-	BLOCK ASM-HYD,AUTOBOOM,G2	SEE PAGE 11-6
10	512604D1	1	KIT-HOSE,W/AUTOBM,BM,80/90/100	
11	512605D1	-	BLOCK ASM-HYD,W/AUTOBOOM,BM	SEE PAGE 11-7
12	512606D1	-	HOSE ASM, -6X25.0 ORFS/ORFS90	
13	512607D1	-	HOSE ASM,-8X25.0 ORFS/ORFS90	
14	512608D1	-	HOSE ASM,-6X39.0 ORFS/ORFS90	
15	512609D1	-	HOSE ASM,-6X27.0 ORFS/ORFS90	
16	512610D1	-	HOSE ASM,-8X39.0 ORFS/ORFS	
17	512611D1	-	HOSE ASM,-6X136.0 8ORFS/8ORFS	
18	512612D1	-	HOSE ASM,-8X30.0 ORFS/ORFS	
19	512744D1	-	HOSE ASM,-8X60.0 ORFS/ORFS90L	



512602D1-01-N562-02.TIF

HOSE INSTL-HYD,W/AUTOBOOM,BM

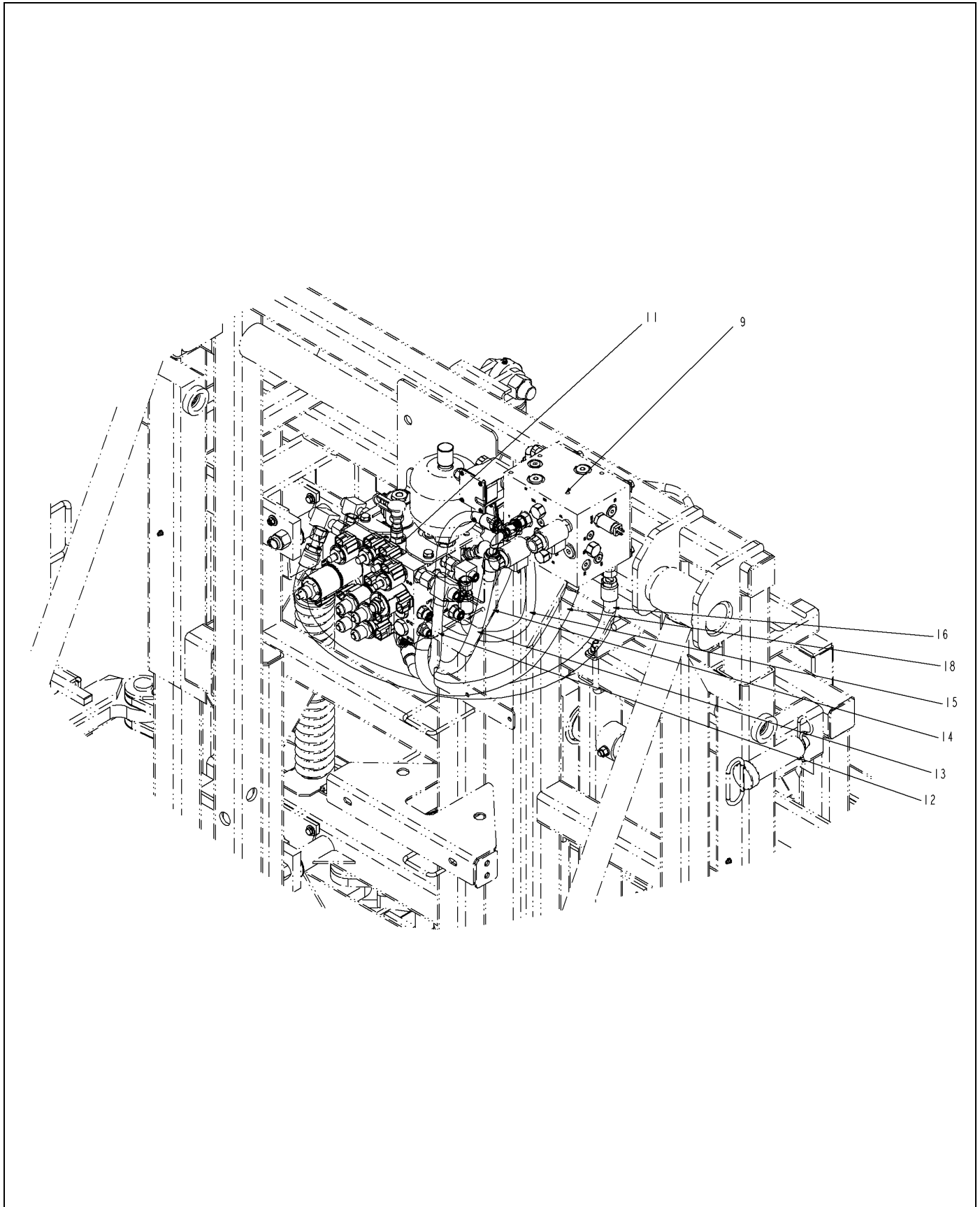
ITEM	PART #	QTY	DESCRIPTION	COMMENTS
1	AG553557	AR	TIE CABLE 7.37 .06-1.37 BLACK	
3	512545D1	-	HOSE ASM,-4X399.0 6ORFS/ORFS	
4	512546D1	-	HOSE ASM,-4X417.0 6ORFS/ORFS	
11	512605D1	-	BLOCK ASM-HYD,W/AUTOBOOM,BM	SEE PAGE 11-7



512602D1-01-N562-03.TIF

HOSE INSTL-HYD,W/AUTOBOOM,BM

ITEM	PART #	QTY	DESCRIPTION	COMMENTS
1	AG553557	AR	TIE CABLE 7.37 .06-1.37 BLACK	
2	512544D1	-	HOSE ASM,-4X158.0 ORFS/ORFS	
5	512547D1	-	HOSE ASM,-8X60.0 ORFS/ORFS90	
6	512548D1	-	HOSE ASM,-6X126.0 ORFS/ORFS	
7	512549D1	-	HOSE ASM,-4X168.0 6ORFS/ORFS	
8	512550D1	-	HOSE ASM,-8X200.0 ORFS/ORFS	
11	512605D1	-	BLOCK ASM-HYD,W/AUTOBOOM,BM	SEE PAGE 11-7
17	512611D1	-	HOSE ASM,-6X136.0 8ORFS/8ORFS	
19	512744D1	-	HOSE ASM,-8X60.0 ORFS/ORFS90L	

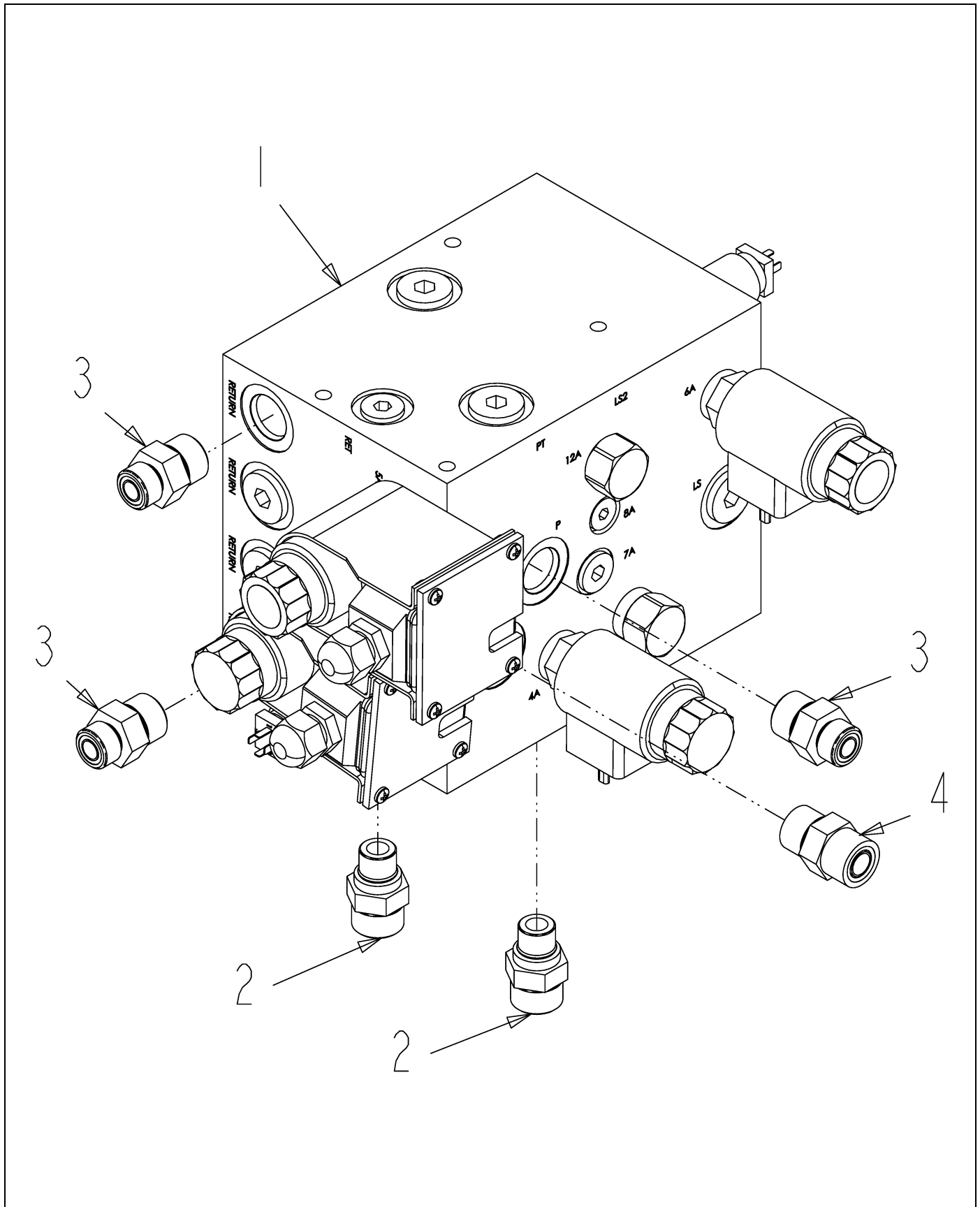


512602D1-01-N562-04.TIF

HOSE INSTL-HYD,W/AUTOBOOM,BM

ITEM	PART #	QTY	DESCRIPTION	COMMENTS
9	512603D1	-	BLOCK ASM-HYD,AUTOBOOM,G2	SEE PAGE 11-6
11	512605D1	-	BLOCK ASM-HYD,W/AUTOBOOM,BM	SEE PAGE 11-7
12	512606D1	-	HOSE ASM, -6X25.0 ORFS/ORFS90	
13	512607D1	-	HOSE ASM,-8X25.0 ORFS/ORFS90	
14	512608D1	-	HOSE ASM,-6X39.0 ORFS/ORFS90	
15	512609D1	-	HOSE ASM,-6X27.0 ORFS/ORFS90	
16	512610D1	-	HOSE ASM,-8X39.0 ORFS/ORFS	
18	512612D1	-	HOSE ASM,-8X30.0 ORFS/ORFS	

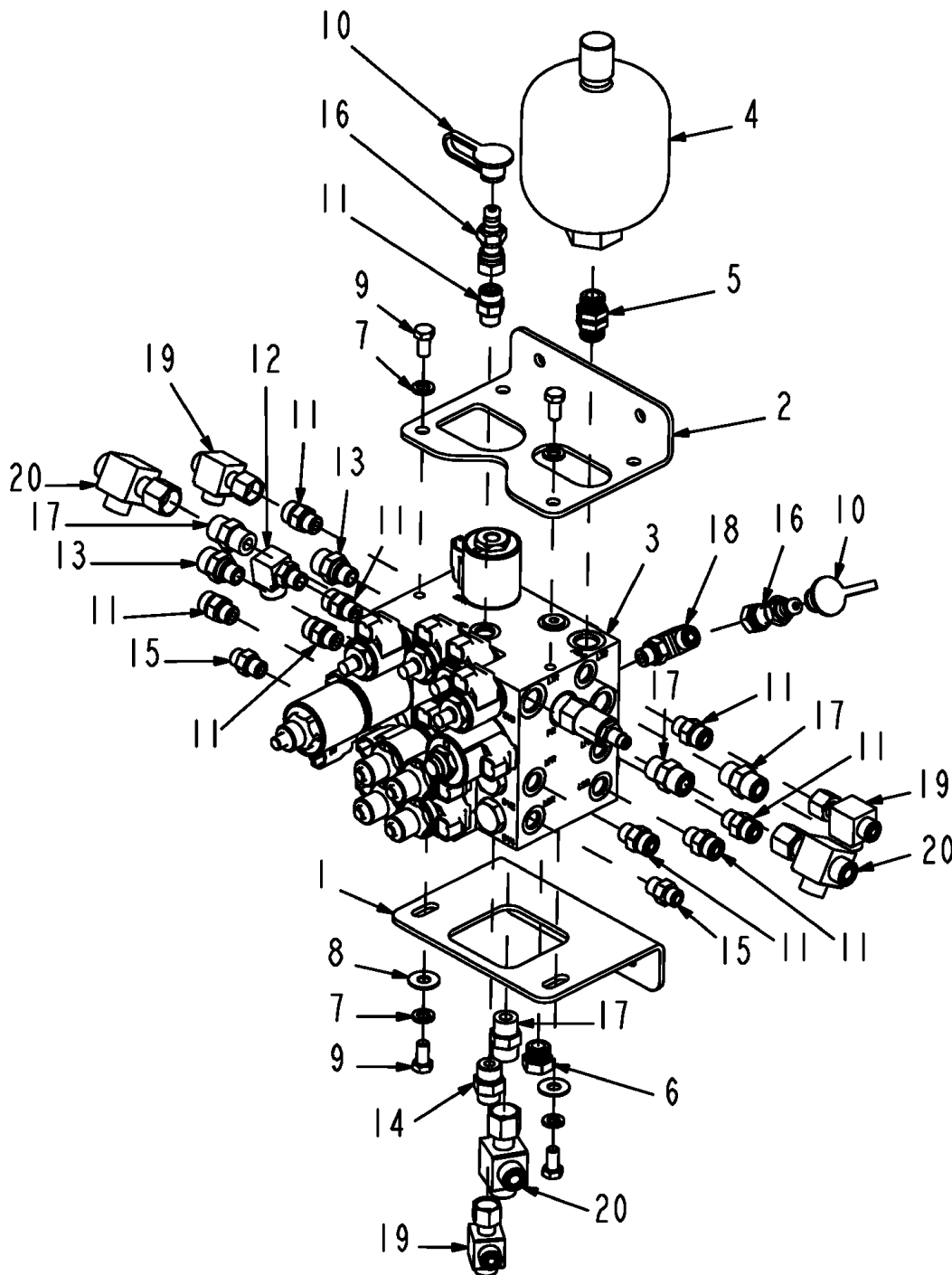
BLOCK ASM-HYD,AUTOBOOM,G2



512603D1-01-N562-.TIF

BLOCK ASM-HYD,AUTOBOOM,G2

ITEM	PART #	QTY	DESCRIPTION	COMMENTS
1	AG136740	1	BLOCK-VALVE,HYD,AUTOBOOM,G2	SEE PAGE 5-25
2	400428X1	2	CONNECTOR AS-STR-6STOR-8ORFS	SEE PAGE 5-7
3	400628X1	3	CONNECTOR AS-STR-8STOR-6ORFS	SEE PAGE 5-17
4	CH148-8340	1	CONNECTOR AS -8ORFS-8STOR	SEE PAGE 5-23

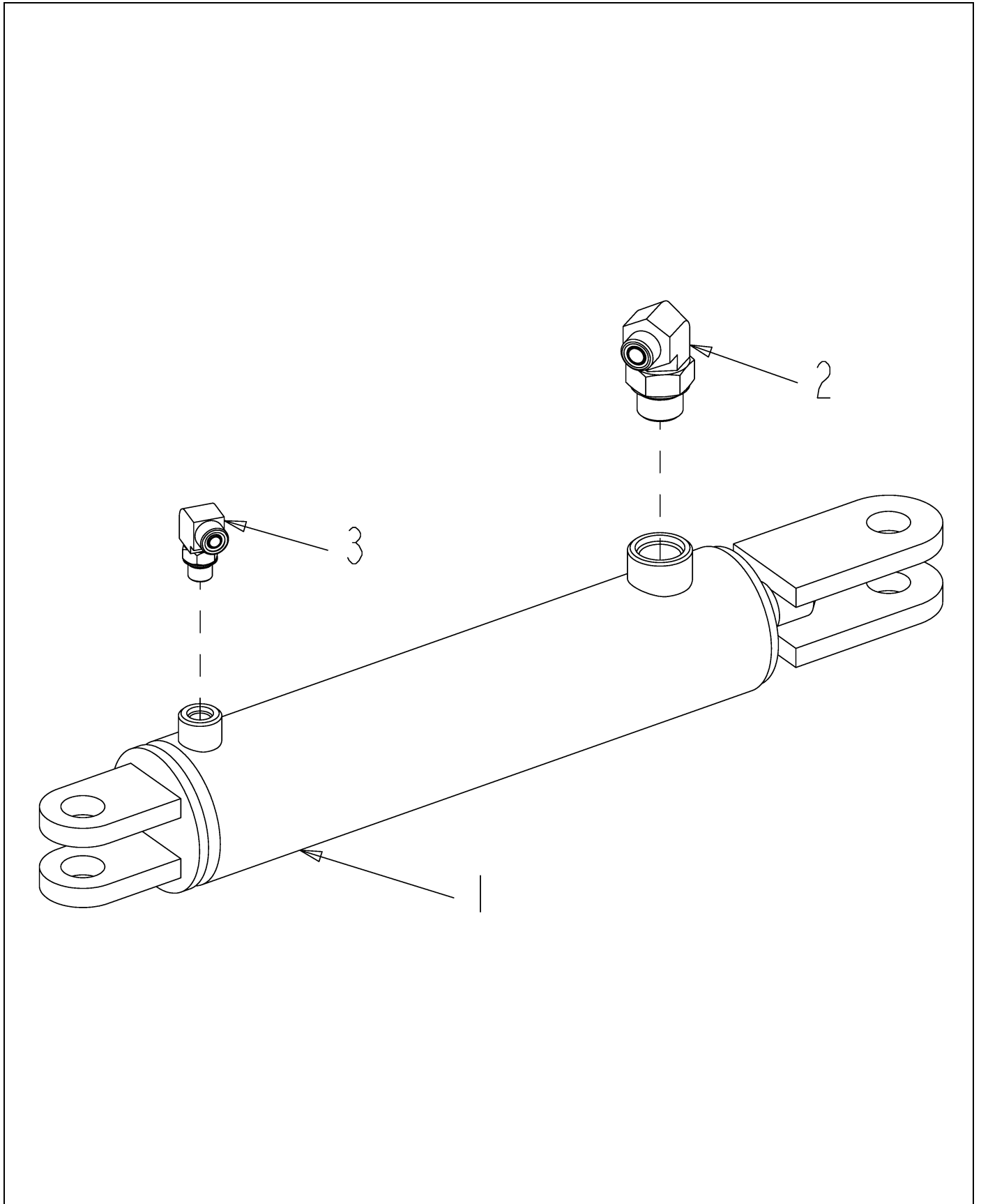


512605D1-01-N562-.TIF

BLOCK ASM-HYD,W/AUTOBOOM,BM

ITEM	PART #	QTY	DESCRIPTION	COMMENTS
1	AG327803	1	BRKT-MTG,LOWER,VALVE BLOCK	
2	AG327804	1	BRKT-MTG,UPPER,BLOCK,VALVE	
3	AG424252	1	VALVE-HYD,7 BANK,W/BREAKAWAY	SEE PAGE 5-21
4	AG523544	1	ACCUM-HYD,DIAPH,45CU IN(MV)	
5	AG524378	1	ADPTR-STR,.50MO-R X .50MO-R	SEE PAGE 5-22
6	AG560899	1	PLUG 0.50MO-R HEX	
7	AG562050	4	WASHER 0.37 LK SS REG	
8	AG562073	2	WASHER 0.37 FL SS REG TYPE-B	
9	AG562120	4	BOLT 0.37-16NCX 0.75 S.S. HDD	
10	400323X1	2	CAP-DUST 12.6 DIA -RUBBER	
11	400367X1	9	CONNECTOR AS-6 STOR -6 ORFS	SEE PAGE 5-16
12	400417X1	1	ELBOW AS-90DEG-6STOR-8ORFS	SEE PAGE 5-6
13	400428X1	2	CONNECTOR AS-STR-6STOR-8ORFS	SEE PAGE 5-7
14	400628X1	1	CONNECTOR AS-STR-8STOR-6ORFS	SEE PAGE 5-17
15	400630X1	1	CONNECTOR AS-STR-6STOR-4ORFS	SEE PAGE 5-18
16	401024X1	2	NIPPLE-TEST PORT,PD,-06 ORFS	
17	CH148-8340	4	CONNECTOR AS -8ORFS-8STOR	SEE PAGE 5-23
18	CH148-8378	1	ELBOW AS-90-6STOR X 6ORFS	SEE PAGE 5-24
19	CH148-8433	3	TEE AS-6 ORFS X 3	SEE PAGE 5-26
20	CH148-8444	3	TEE-SWIVEL 3X -8 ORFS	SEE PAGE 5-27

CYLINDER ASM-TILT,BOOM,120,RH

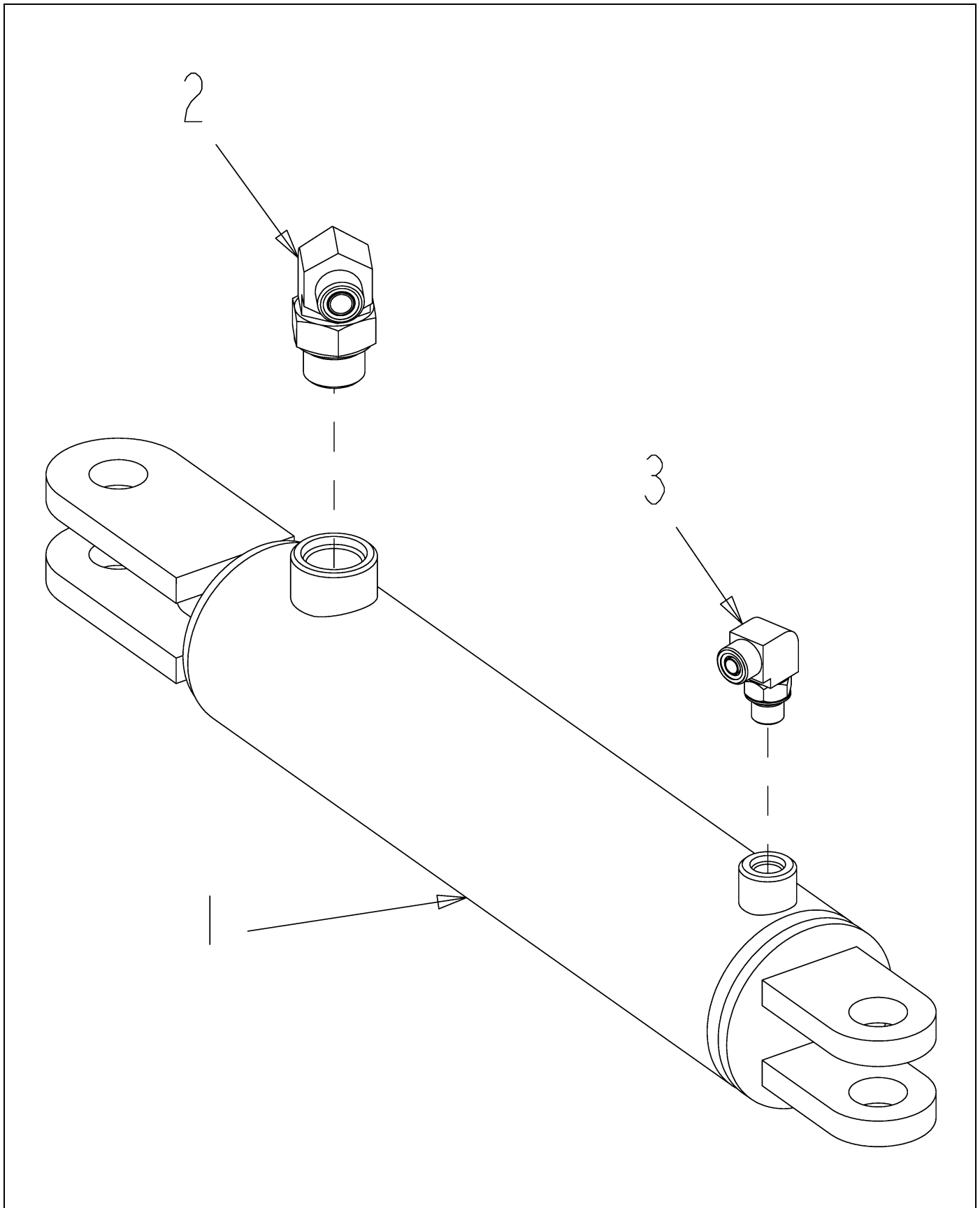


513464D1-01-N562-.TIF

CYLINDER ASM-TILT,BOOM,120,RH

ITEM	PART #	QTY	DESCRIPTION	COMMENTS
1	AG136825	1	CYLINDER-HYD,3.00X11.38X1.25	SEE PAGE 5-29
2	512771D1	1	ELBOW-90D,-12STOR X -8ORFS	SEE PAGE 5-30
3	CH148-8378	1	ELBOW AS-90-6STOR X 6ORFS	SEE PAGE 5-24

CYLINDER ASM-TILT,BOOM,120,LH

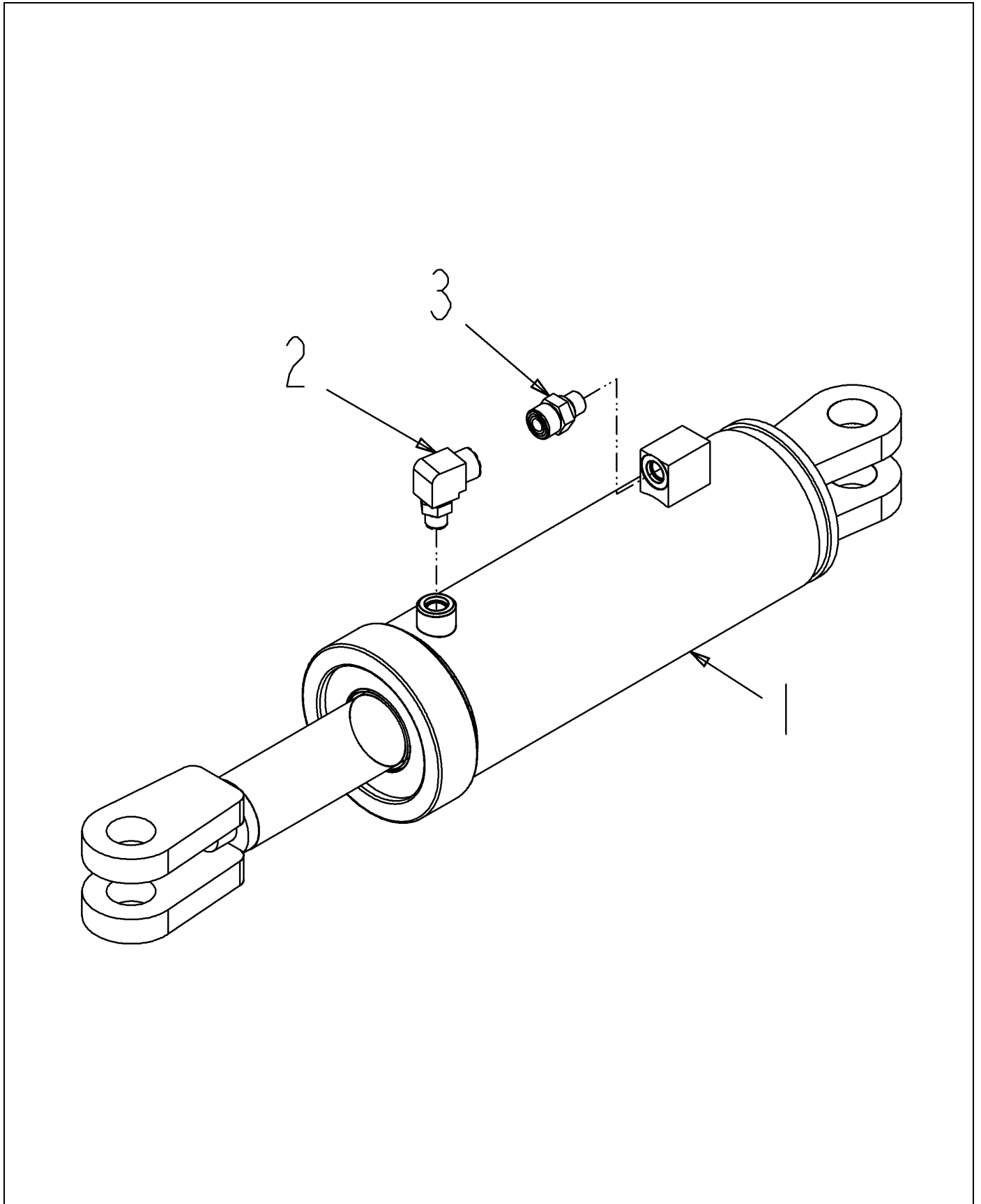


513465D1-01-N562-.TIF

CYLINDER ASM-TILT,BOOM,120,LH

ITEM	PART #	QTY	DESCRIPTION	COMMENTS
1	AG136825	1	CYLINDER-HYD,3.00X11.38X1.25	SEE PAGE 5-29
2	512771D1	1	ELBOW-90D,-12STOR X -8ORFS	SEE PAGE 5-30
3	CH148-8378	1	ELBOW AS-90-6STOR X 6ORFS	SEE PAGE 5-24

CYLINDER ASM-4.00,BM BREAKAWAY

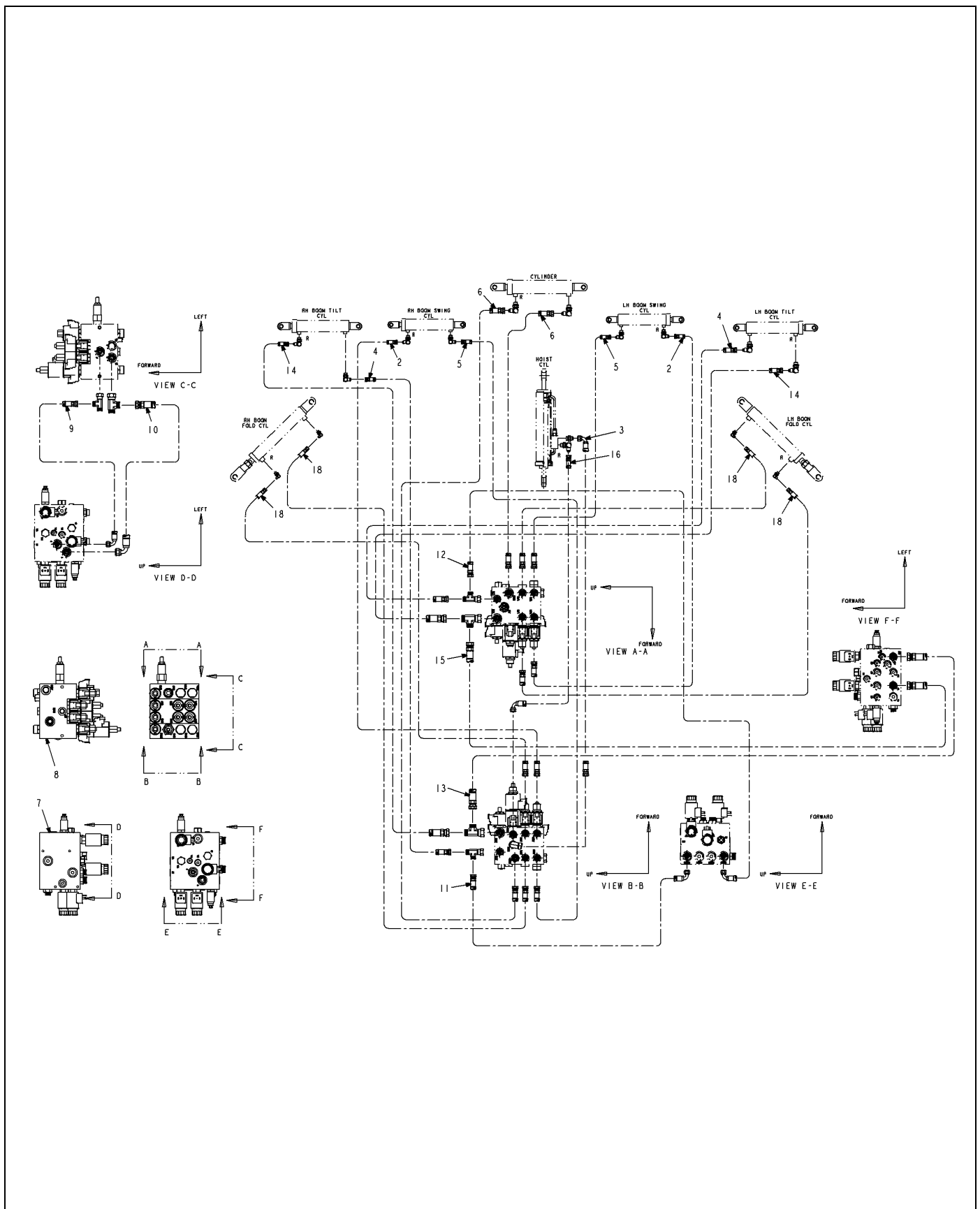


513466D1-01-N562-.TIF

CYLINDER ASM-4.00,BM BREAKAWAY

ITEM	PART #	QTY	DESCRIPTION	COMMENTS
1	AG136742	1	CYLINDER-HYD,4.00X6.00X2.00	SEE PAGE 5-31
2	400417X1	1	ELBOW AS-90DEG-6STOR-8ORFS	SEE PAGE 5-6
3	400428X1	1	CONNECTOR AS-STR-6STOR-8ORFS	SEE PAGE 5-7

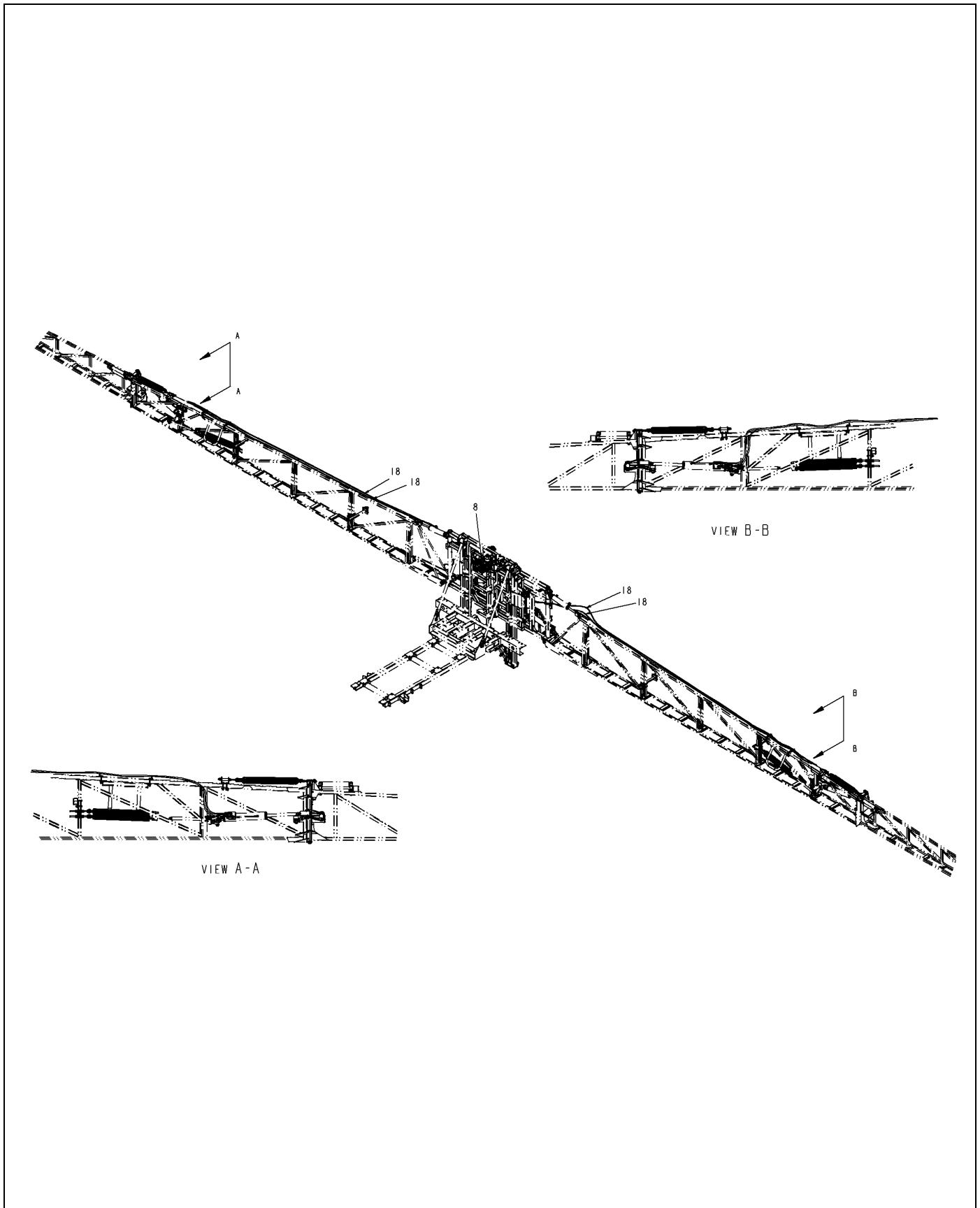
HOSE INSTL-HYD,W/AUTOBM,BM,120



513463D1-01-N562-01.TIF

HOSE INSTL-HYD,W/AUTOBM,BM,120

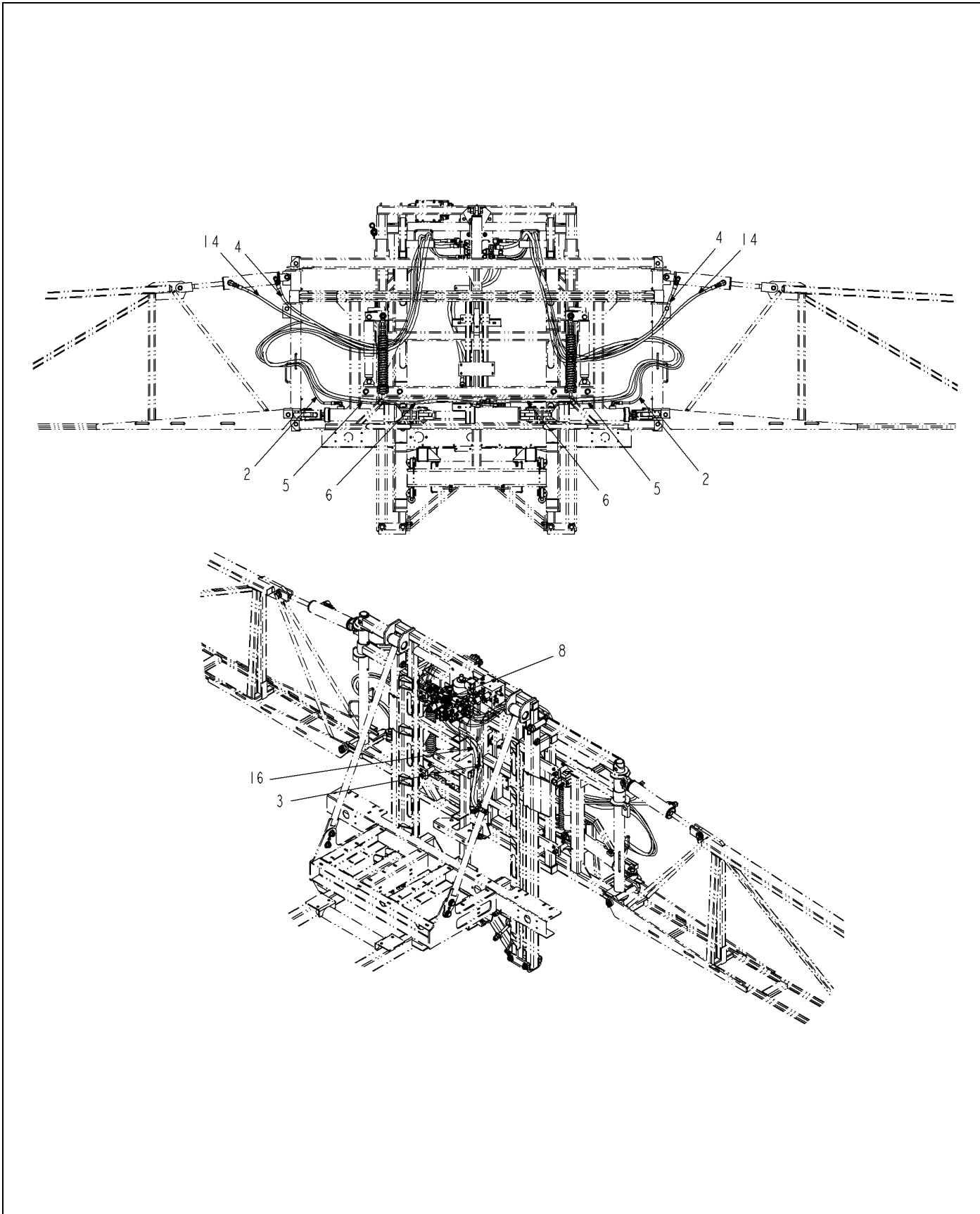
ITEM	PART #	QTY	DESCRIPTION	COMMENTS
1	AG553557	AR	TIE CABLE 7.37 .06-1.37 BLACK	
2	512544D1	-	HOSE ASM,-4X158.0 ORFS/ORFS	
3	512547D1	-	HOSE ASM,-8X60.0 ORFS/ORFS90	
4	512548D1	-	HOSE ASM,-6X126.0 ORFS/ORFS	
5	512549D1	-	HOSE ASM,-4X168.0 6ORFS/ORFS	
6	512550D1	-	HOSE ASM,-8X200.0 ORFS/ORFS	
7	512603D1	-	BLOCK ASM-HYD,AUTOBOOM,G2	SEE PAGE 11-6
8	512605D1	-	BLOCK ASM-HYD,W/AUTOBOOM,BM	SEE PAGE 11-7
9	512606D1	-	HOSE ASM, -6X25.0 ORFS/ORFS90	
10	512607D1	-	HOSE ASM,-8X25.0 ORFS/ORFS90	
11	512608D1	-	HOSE ASM,-6X39.0 ORFS/ORFS90	
12	512609D1	-	HOSE ASM,-6X27.0 ORFS/ORFS90	
13	512610D1	-	HOSE ASM,-8X39.0 ORFS/ORFS	
14	512611D1	-	HOSE ASM,-6X136.0 8ORFS/8ORFS	
15	512612D1	-	HOSE ASM,-8X30.0 ORFS/ORFS	
16	512744D1	-	HOSE ASM,-8X60.0 ORFS/ORFS90L	
17	513467D1	1	KIT-HOSE,W/AUTOBOOM,BM,120	
18	513468D1	-	HOSE ASM,-4X429 6ORFS/ORFS	



513463D1-01-N562-02.TIF

HOSE INSTL-HYD,W/AUTOBM,BM,120

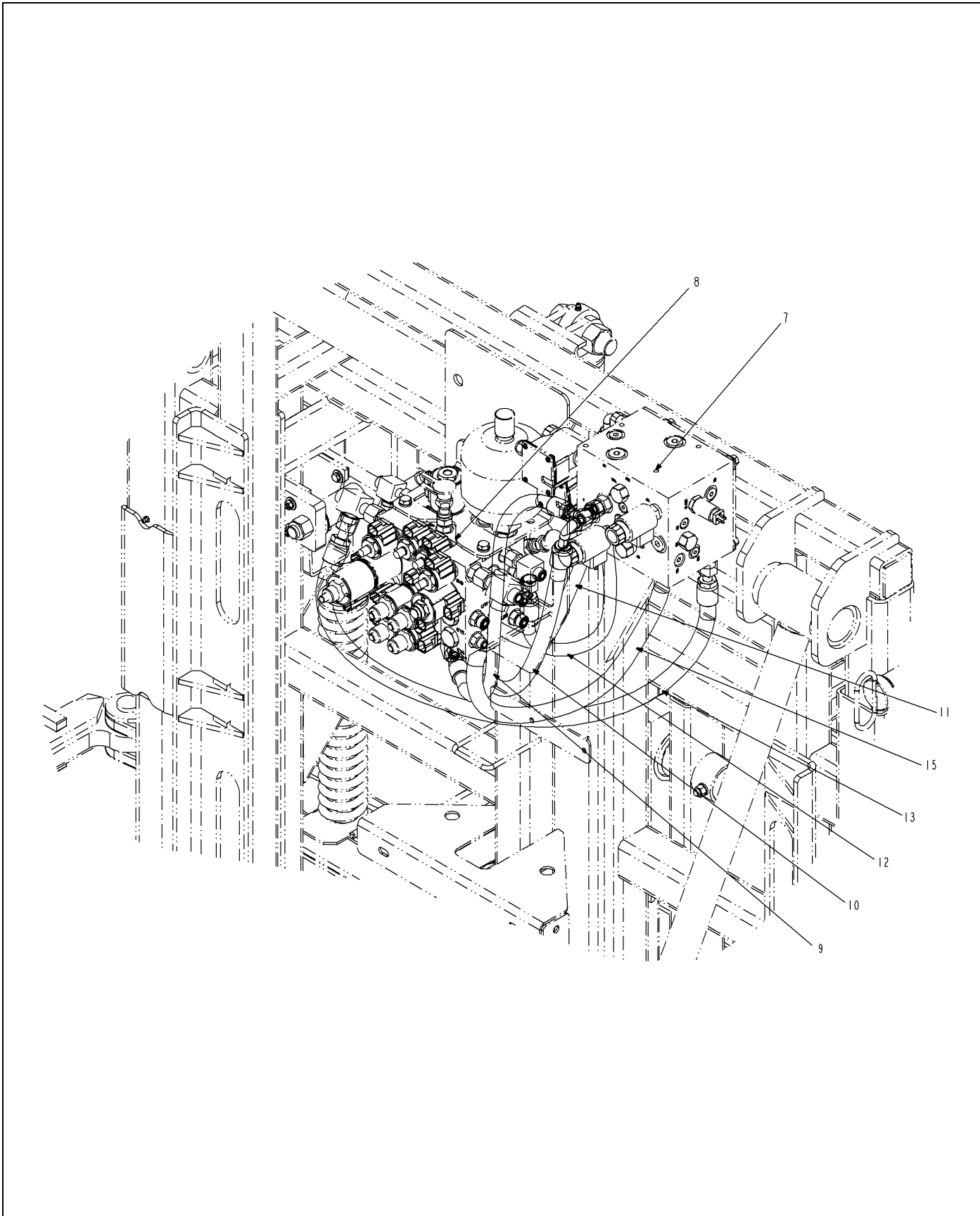
ITEM	PART #	QTY	DESCRIPTION	COMMENTS
8	512605D1	-	BLOCK ASM-HYD,W/AUTOBOOM,BM	SEE PAGE 11-7
18	513468D1	-	HOSE ASM,-4X429 6ORFS/ORFS	



513463D1-01-N562-03.TIF

HOSE INSTL-HYD,W/AUTOBM,BM,120

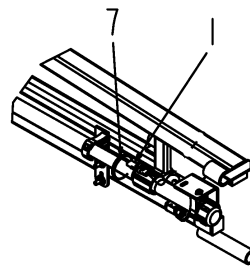
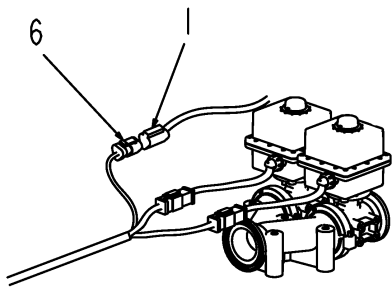
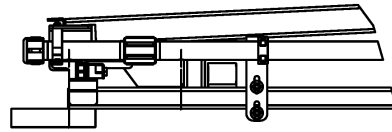
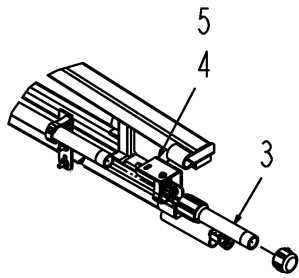
ITEM	PART #	QTY	DESCRIPTION	COMMENTS
2	512544D1	-	HOSE ASM,-4X158.0 ORFS/ORFS	
3	512547D1	-	HOSE ASM,-8X60.0 ORFS/ORFS90	
4	512548D1	-	HOSE ASM,-6X126.0 ORFS/ORFS	
5	512549D1	-	HOSE ASM,-4X168.0 6ORFS/ORFS	
6	512550D1	-	HOSE ASM,-8X200.0 ORFS/ORFS	
8	512605D1	-	BLOCK ASM-HYD,W/AUTOBOOM,BM	SEE PAGE 11-7
14	512611D1	-	HOSE ASM,-6X136.0 8ORFS/8ORFS	
16	512744D1	-	HOSE ASM,-8X60.0 ORFS/ORFS90L	



513463D1-01-N562-04.TIF

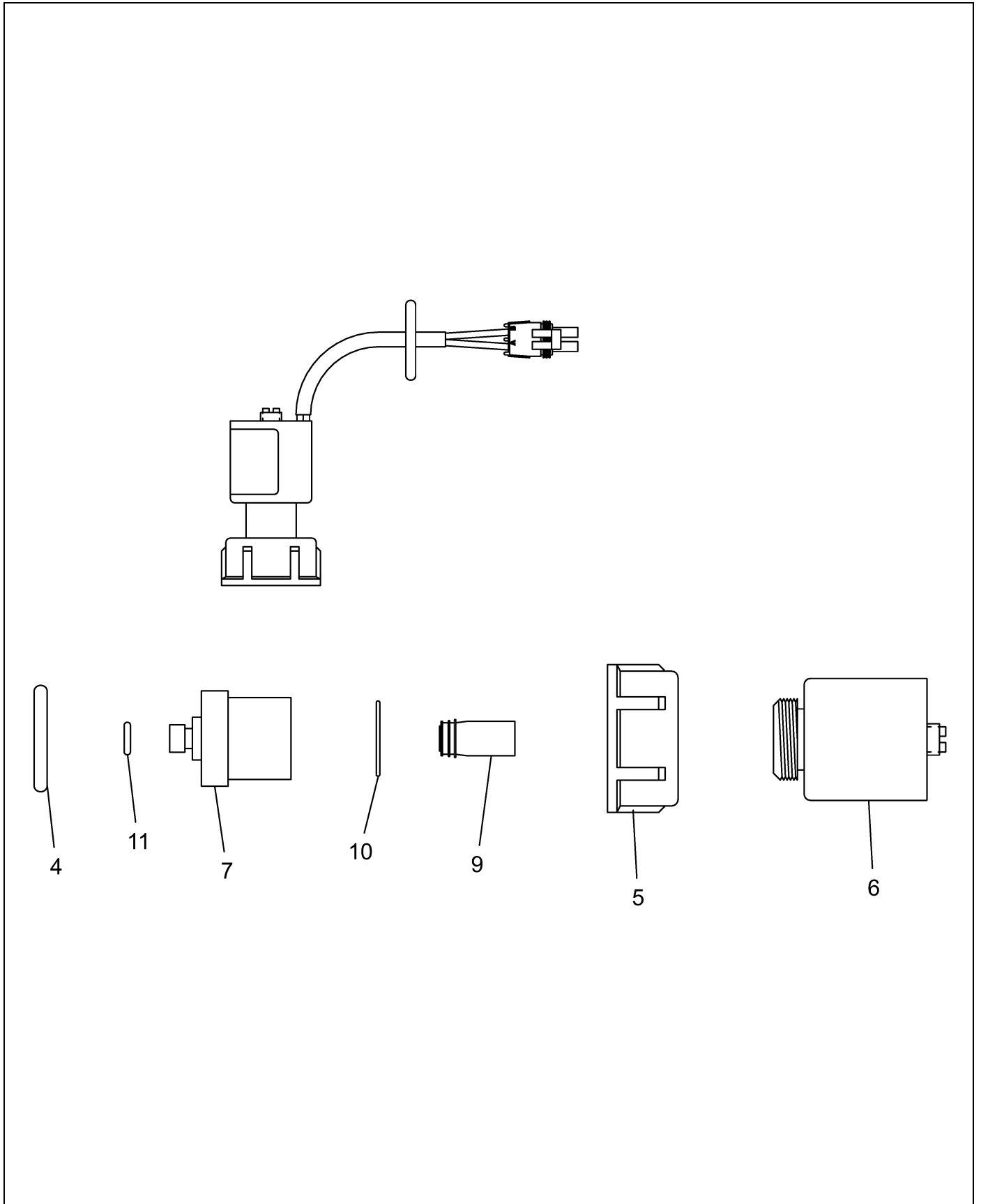
HOSE INSTL-HYD,W/AUTOBM,BM,120

ITEM	PART #	QTY	DESCRIPTION	COMMENTS
7	512603D1	-	BLOCK ASM-HYD,AUTOBOOM,G2	SEE PAGE 11-6
8	512605D1	-	BLOCK ASM-HYD,W/AUTOBOOM,BM	SEE PAGE 11-7
9	512606D1	-	HOSE ASM, -6X25.0 ORFS/ORFS90	
10	512607D1	-	HOSE ASM,-8X25.0 ORFS/ORFS90	
11	512608D1	-	HOSE ASM,-6X39.0 ORFS/ORFS90	
12	512609D1	-	HOSE ASM,-6X27.0 ORFS/ORFS90	
13	512610D1	-	HOSE ASM,-8X39.0 ORFS/ORFS	
15	512612D1	-	HOSE ASM,-8X30.0 ORFS/ORFS	



NOZZLE ASM-FENCE ROW,10/20,PP

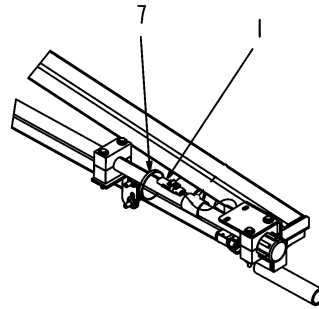
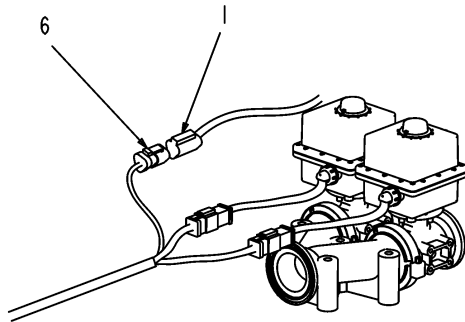
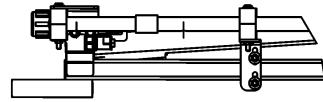
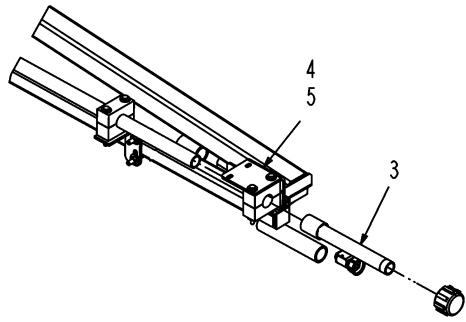
ITEM	PART #	QTY	DESCRIPTION	COMMENTS
1	AG122657	2	HARNES-END ROW	
2	AG129187	AR	PIPE SEALANT-FLEX BLACK	
3	AG134668	2	PIPE ASM-ENDROW,ELEC,10/20,PP	SEE PAGE 4-20
4	AG134670	1	BRKT ASM-ENDROW,IPS CLP,RH	SEE PAGE 4-85
5	AG134747	1	BRKT ASM-ENDROW,IPS CLP,LH	SEE PAGE 4-86
6	AG504299	-	HARNES-ELEC BM SECT VLV(SYS)	
7	AG553557	AR	TIE CABLE 7.37 .06-1.37 BLACK	



508197D1-01.TIF

PARTS-SERV,NOZ VALV,(508196D1)

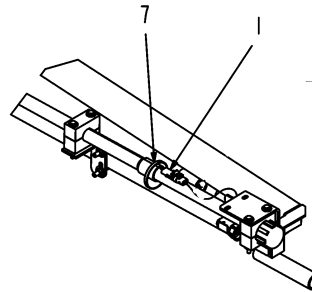
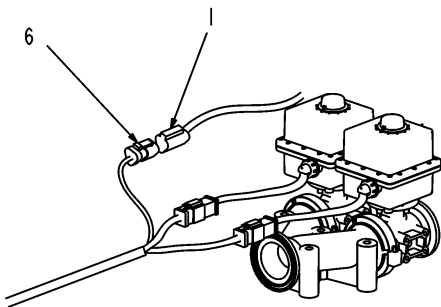
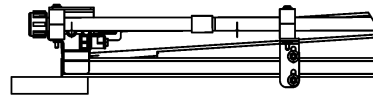
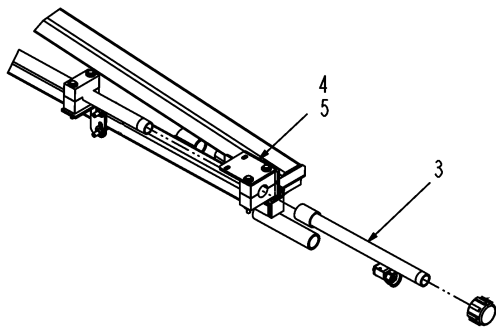
ITEM	PART #	QTY	DESCRIPTION	COMMENTS
4	AG131469	1	O-RING	
5	AG131475	1	NUT, FLY	
6	AG131476	1	COIL ASM 7 WATT	
7	AG131471	1	BODY,VALVE	
9	AG330727	1	PLUNGER ASM/PFE 80DU	
10	AG131470	1	O-RING,VITON	
11	AG131468	1	O-RING,VITON	



NOZZLE ASM-FENCE ROW,10/20,SS

ITEM	PART #	QTY	DESCRIPTION	COMMENTS
1	AG122657	2	HARNES-END ROW	
2	AG129187	AR	PIPE SEALANT-FLEX BLACK	
3	AG134669	2	PIPE ASM-ENDROW,ELEC,10/20,SS	SEE PAGE 4-22
4	AG134845	1	BRKT ASM-ENDROW,STAUFF,.75,LH	SEE PAGE 4-87
5	AG134846	1	BRKT ASM-ENDROW,STAUFF,.75,RH	SEE PAGE 4-88
6	AG504229	-	OPT-PP PLMB,20X90X5,OFF,GS	
7	AG553557	AR	TIE CABLE 7.37 .06-1.37 BLACK	

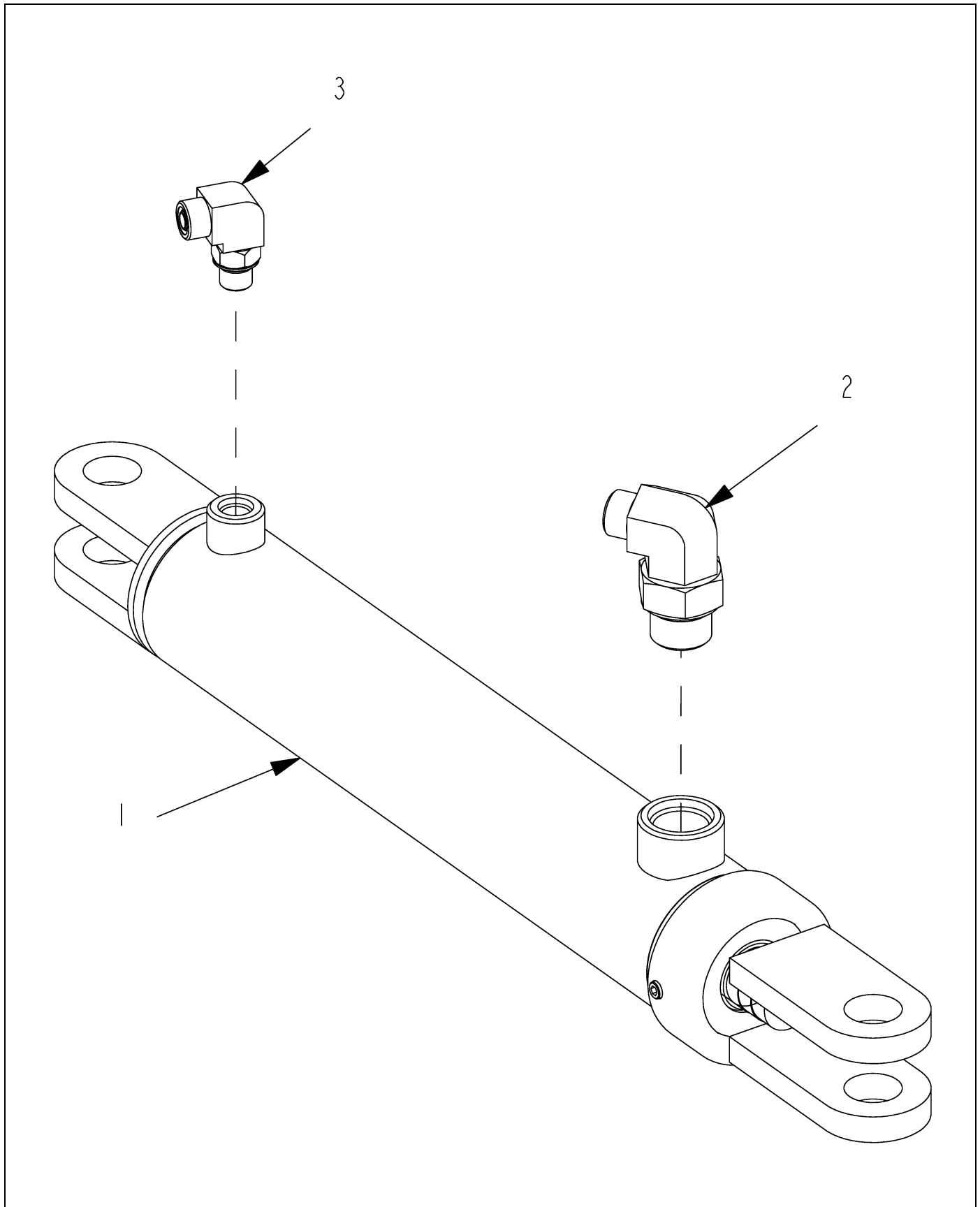
NOZZLE ASM-FENCE ROW,15,SS



134750-A.tif

NOZZLE ASM-FENCE ROW,15,SS

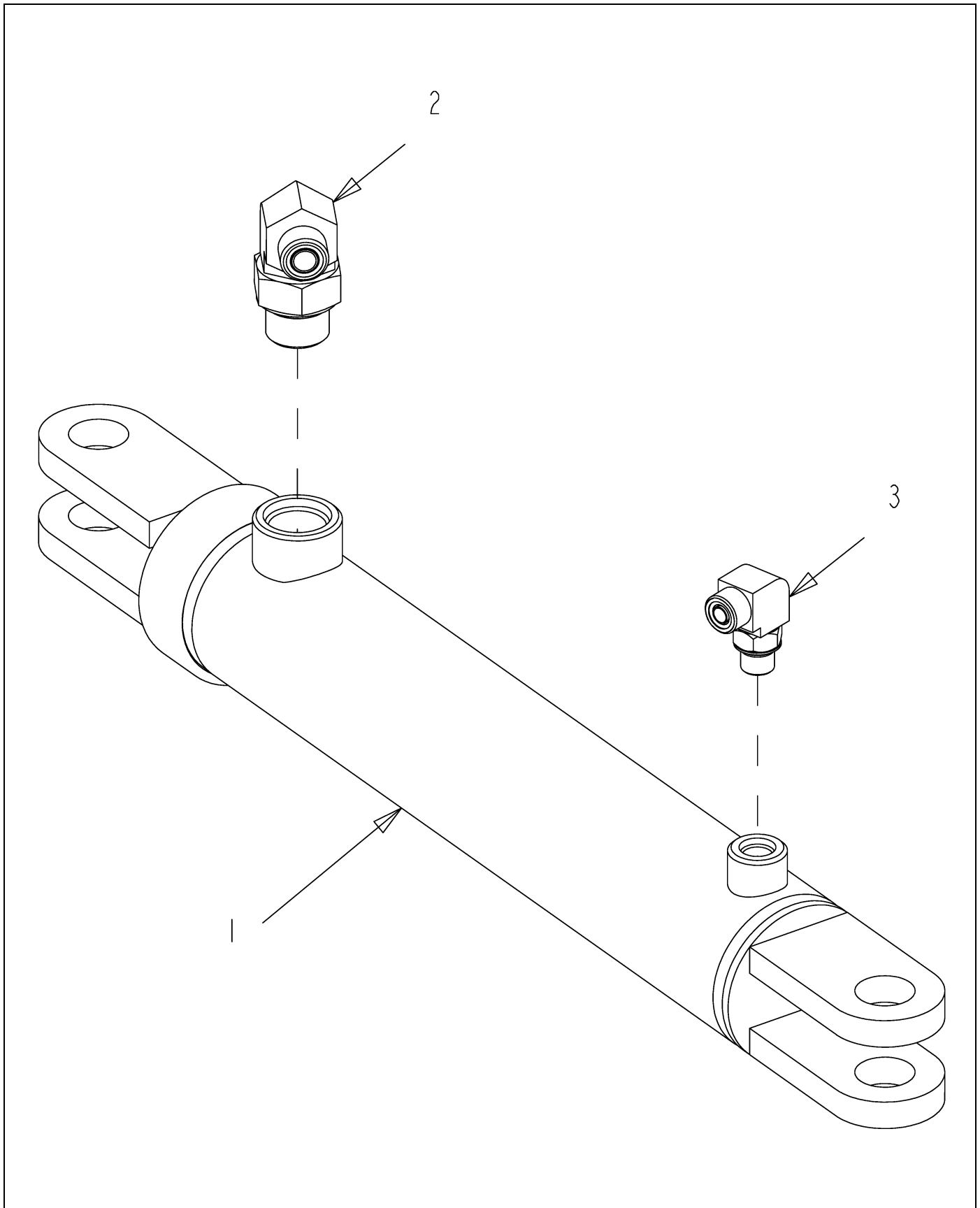
ITEM	PART #	QTY	DESCRIPTION	COMMENTS
1	AG122657	2	HARNES-END ROW	
2	AG129187	AR	PIPE SEALANT-FLEX BLACK	
3	AG134604	2	PIPE ASM-ENDROW,ELEC,15,SS	SEE PAGE 4-23
4	AG134845	1	BRKT ASM-ENDROW,STAUFF,.75,LH	SEE PAGE 4-87
5	AG134846	1	BRKT ASM-ENDROW,STAUFF,.75,RH	SEE PAGE 4-88
6	AG504299	-	HARNES-ELEC BM SECT VLV(SYS)	
7	AG553557	AR	TIE CABLE 7.37 .06-1.37 BLACK	



512600D1-01-N562-.TIF

CYL ASM-TILT,BM,W/AUTOBOOM,RH

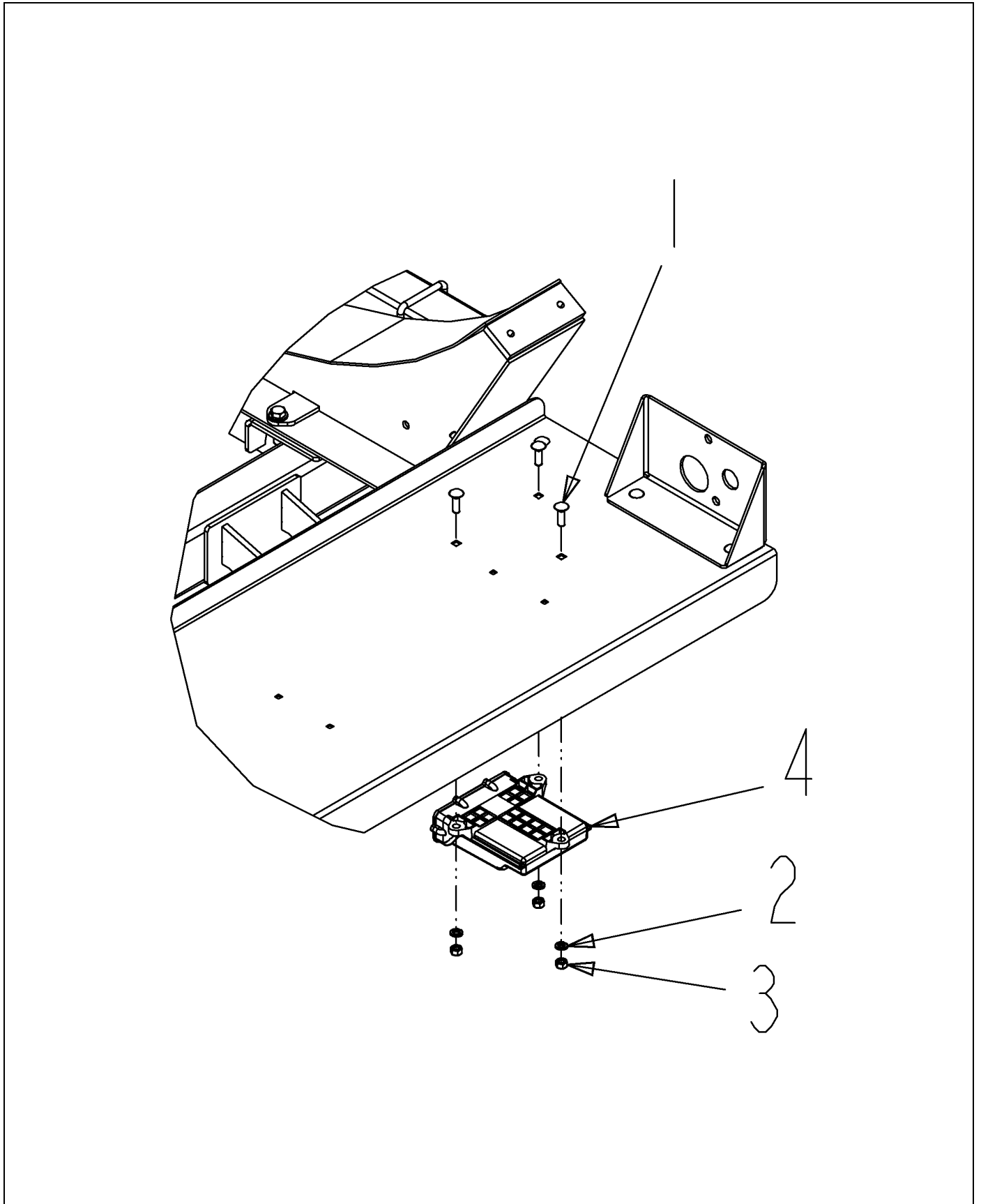
ITEM	PART #	QTY	DESCRIPTION	COMMENTS
1	AG122390	1	CYLINDER-HYD,2.50X12.00X1.12	SEE PAGE 5-38
2	512771D1	1	ELBOW-90D,-12STOR X -8ORFS	SEE PAGE 5-30
3	CH148-8378	1	ELBOW AS-90-6STOR X 6ORFS	SEE PAGE 5-24



512601D1-01-N562-.TIF

CYL ASM-TILT,BM,W/AUTOBOOM,LH

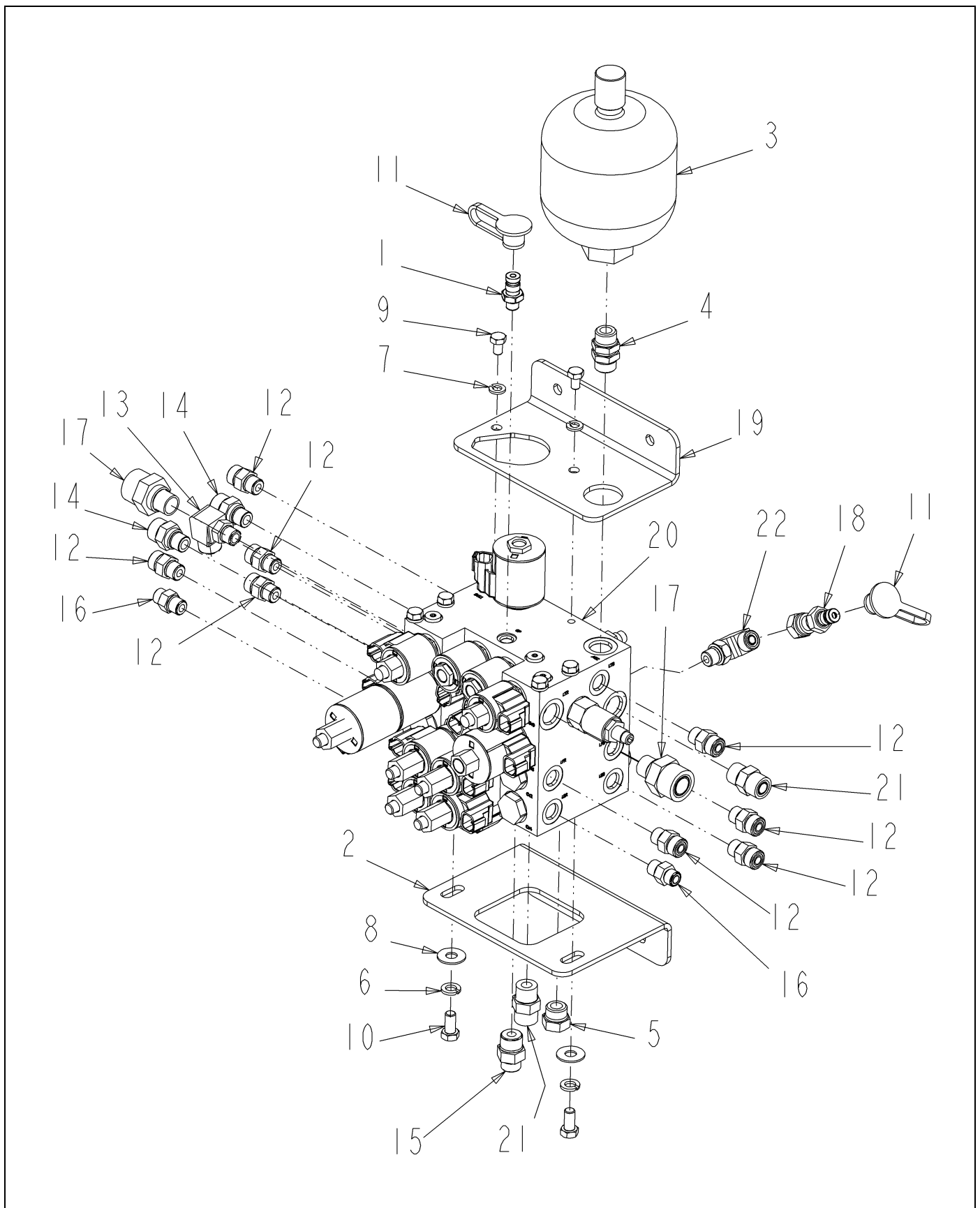
ITEM	PART #	QTY	DESCRIPTION	COMMENTS
1	AG122390	1	CYLINDER-HYD,2.50X12.00X1.12	SEE PAGE 5-38
2	512771D1	1	ELBOW-90D,-12STOR X -8ORFS	SEE PAGE 5-30
3	CH148-8378	1	ELBOW AS-90-6STOR X 6ORFS	SEE PAGE 5-24



517127D1-01-R059-.TIF

NODE INSTL-CAN,AUTOBOOM,RAVEN

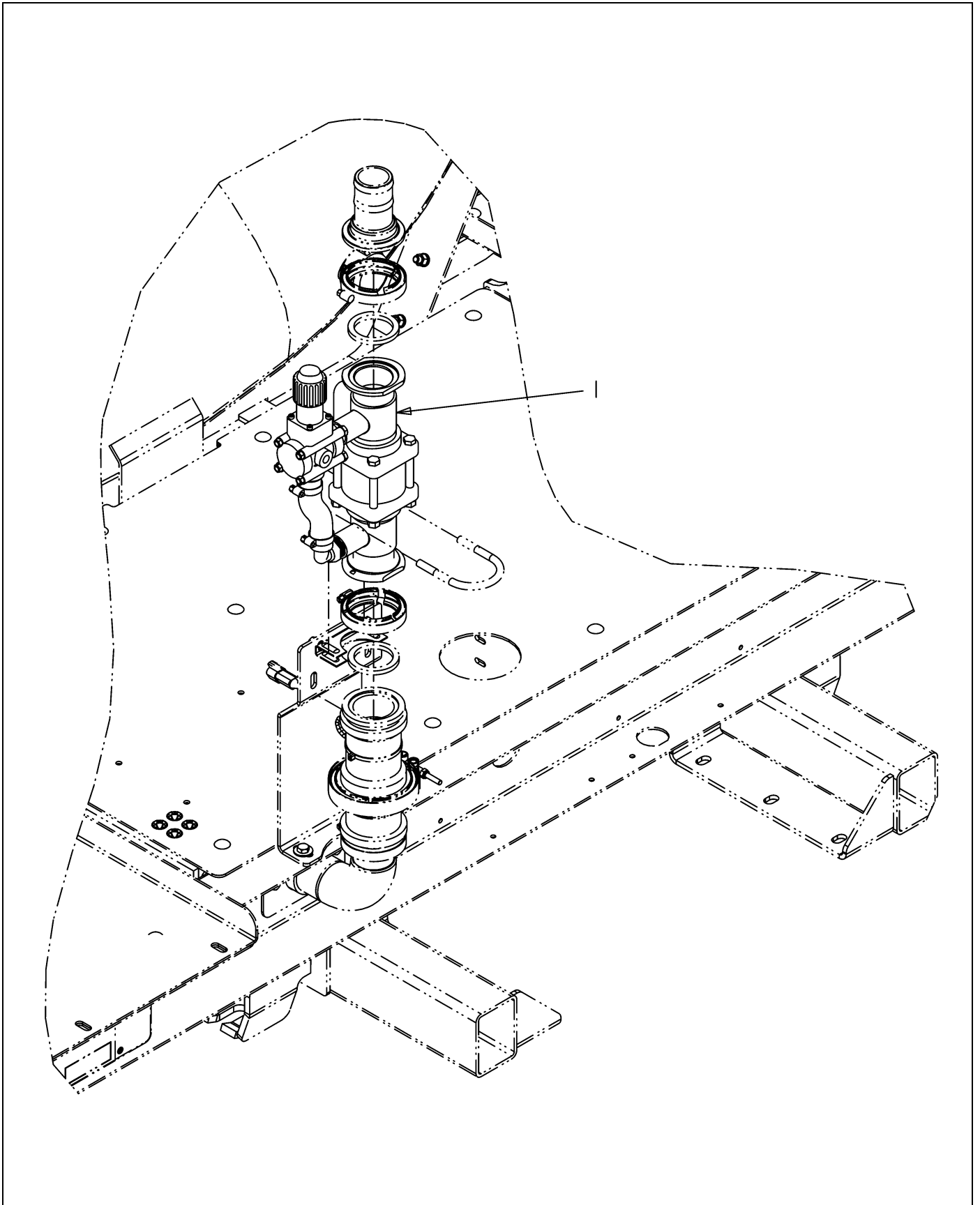
ITEM	PART #	QTY	DESCRIPTION	COMMENTS
1	AG522571	3	BOLT 0.37-16NCX 1.25 304SS CRG	
2	AG562050	3	WASHER 0.37 LK SS REG	
3	AG562065	3	NUT 0.37-16NC HEX SS REG	
4	516512D1	1	NODE-I/O,CAN,AUTOBOOM,RVN	



515129D1-01-R284-.TIF

BLK ASM-HYD,BM,NO AUTOBM,SM BM

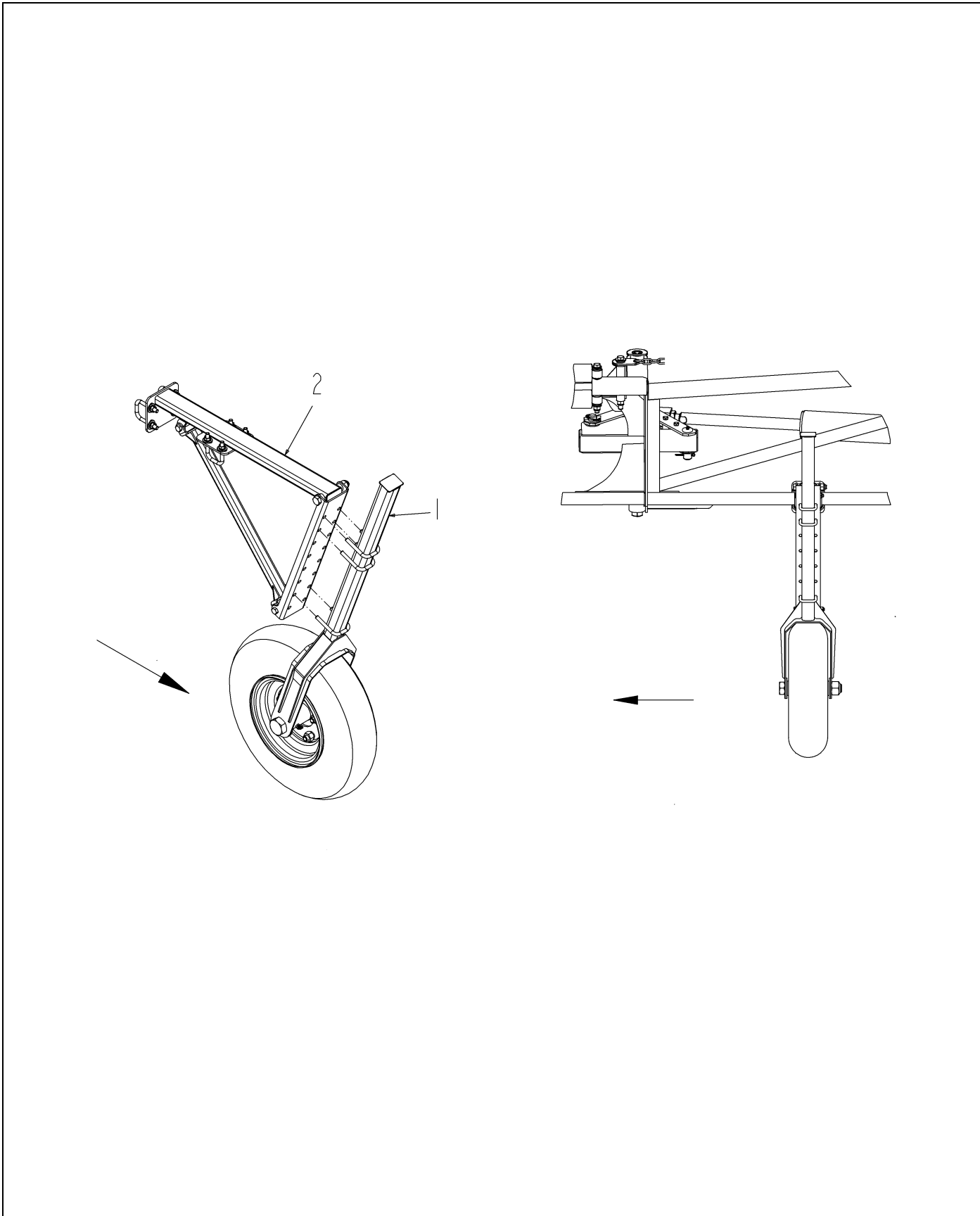
ITEM	PART #	QTY	DESCRIPTION	COMMENTS
1	WR32723	1	COUPLING-MPD/-04MB	
2	AG327803	1	BRKT-MTG,LOWER,VALVE BLOCK	
3	AG523544	1	ACCUM-HYD,DIAPH,45CU IN(MV)	
4	AG524378	1	ADPTR-STR,.50MO-R X .50MO-R	SEE PAGE 5-22
5	AG560899	1	PLUG 0.50MO-R HEX	
6	AG562050	2	WASHER 0.37 LK SS REG	
7	AG562051	2	WASHER 0.31 LK SS REG	
8	AG562073	2	WASHER 0.37 FL SS REG TYPE-B	
9	AG562079	2	BOLT 0.31-18NCX 0.50 SS HHD	
10	AG562120	2	BOLT 0.37-16NCX 0.75 S.S. HHD	
11	400323X1	2	CAP-DUST 12.6 DIA -RUBBER	
12	400367X1	8	CONNECTOR AS-6 STOR -6 ORFS	SEE PAGE 5-16
13	400417X1	1	ELBOW AS-90DEG-6STOR-8ORFS	SEE PAGE 5-6
14	400428X1	2	CONNECTOR AS-STR-6STOR-8ORFS	SEE PAGE 5-7
15	400628X1	1	CONNECTOR AS-STR-8STOR-6ORFS	SEE PAGE 5-17
16	400630X1	2	CONNECTOR AS-STR-6STOR-4ORFS	SEE PAGE 5-18
17	400963X1	2	CONNECTOR AS-STR -8STOR-12ORFS	
18	401024X1	1	NIPPLE-TEST PORT,PD,-06 ORFS	
19	509921D1	1	BRKT-MTG,UPPER,VALVE BLOCK	
20	519330D1	1	BLK-VLV,7BANK,W/O AUTOBM,SM BM	
21	CH148-8340	2	CONNECTOR AS -8ORFS-8STOR	SEE PAGE 5-23
22	CH148-8378	1	ELBOW AS-90-6STOR X 6ORFS	SEE PAGE 5-24



135912-01-M399-.TIF

KIT INSTL-LOW RATE,8/10/12X4

ITEM	PART #	QTY	DESCRIPTION	COMMENTS
1	AG135913	1	KIT ASM-LOW RATE,2.00FP FLG	SEE PAGE 2-14

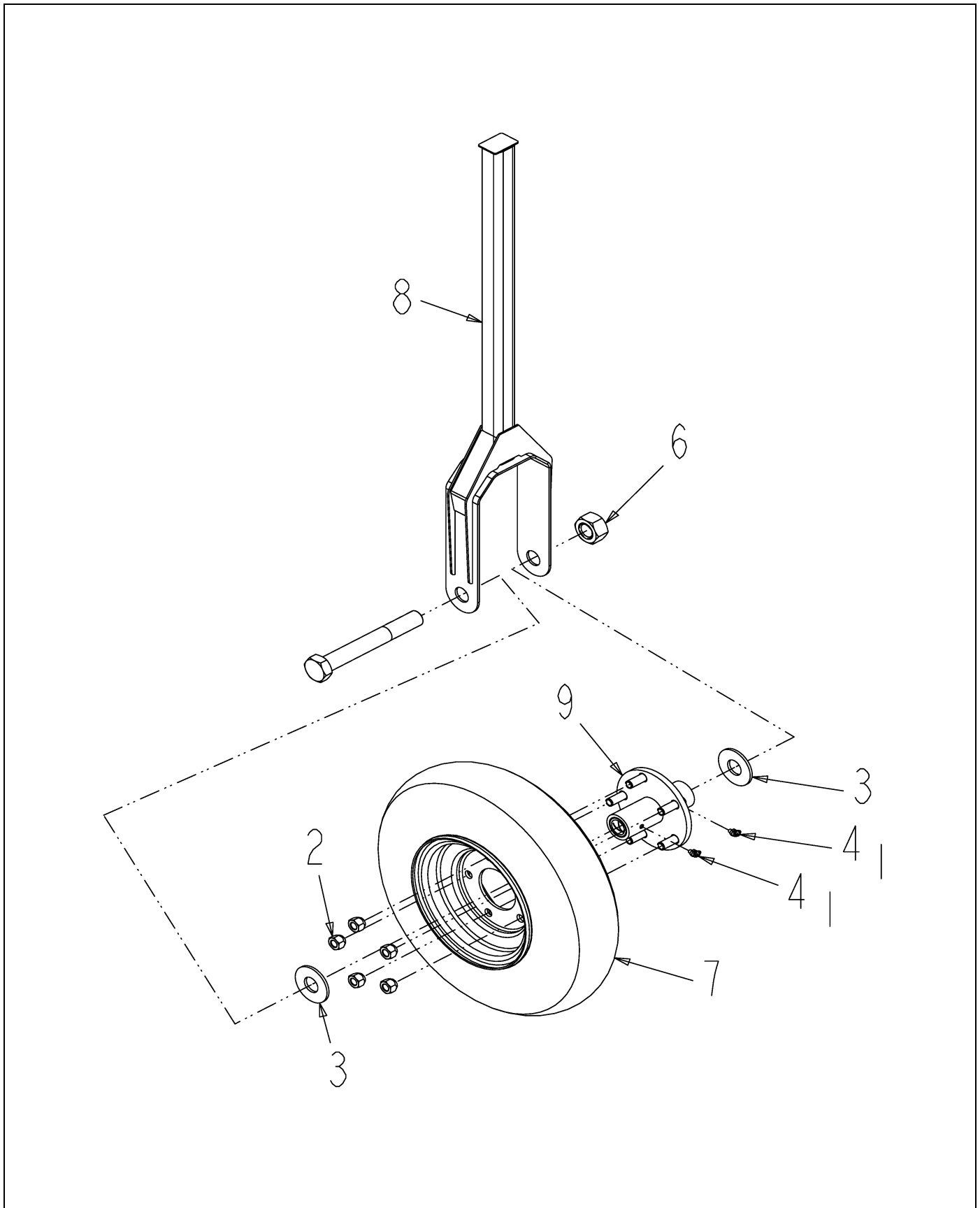


506909D1-01-M930.tif

WHEEL INSTL-AUTOBOOM,120

ITEM	PART #	QTY	DESCRIPTION	COMMENTS
1	506910D1	2	FORK ASM-WHEEL,AUTOBOOM	SEE PAGE 11-25
2	506911D1	2	ARM ASM-WHEEL,AUTOBOOM,120	SEE PAGE 11-52

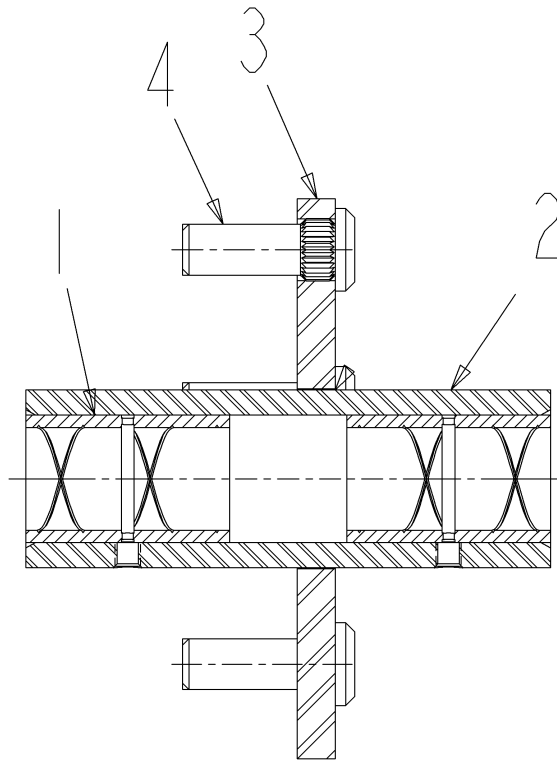
FORK ASM-WHEEL,AUTOBOOM



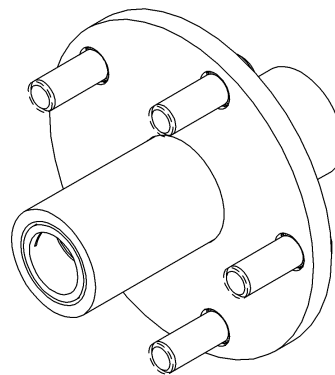
506910D1-03-N607-.TIF

FORK ASM-WHEEL,AUTOBOOM

ITEM	PART #	QTY	DESCRIPTION	COMMENTS
1	AG511099	AR	GREASE-MULTI PURPOSE LITH.	
2	AG514567	5	NUT WHEEL BOLT .50-20NFX.62X60	
3	AG552232	2	WASHER 1.0FL ZN REG TYPE-B (D)	
4	AG562467	2	ZERK GREASE 45D 1/4-28 NF	
5	AG562584	1	BOLT 1.00- 8NCX 7.50 G8 ZN HHD	
6	AG604185	1	NUT 1.00-08NC HEX ZN HVY NY	
7	506912D1	1	WHEEL ASM-AUTOBOOM	
8	506914D1	1	FORK WLDMT-WHEEL,AUTOBOOM	
9	506921D1	1	HUB WLDMT-WHEEL,AUTOBOOM	SEE PAGE 11-26

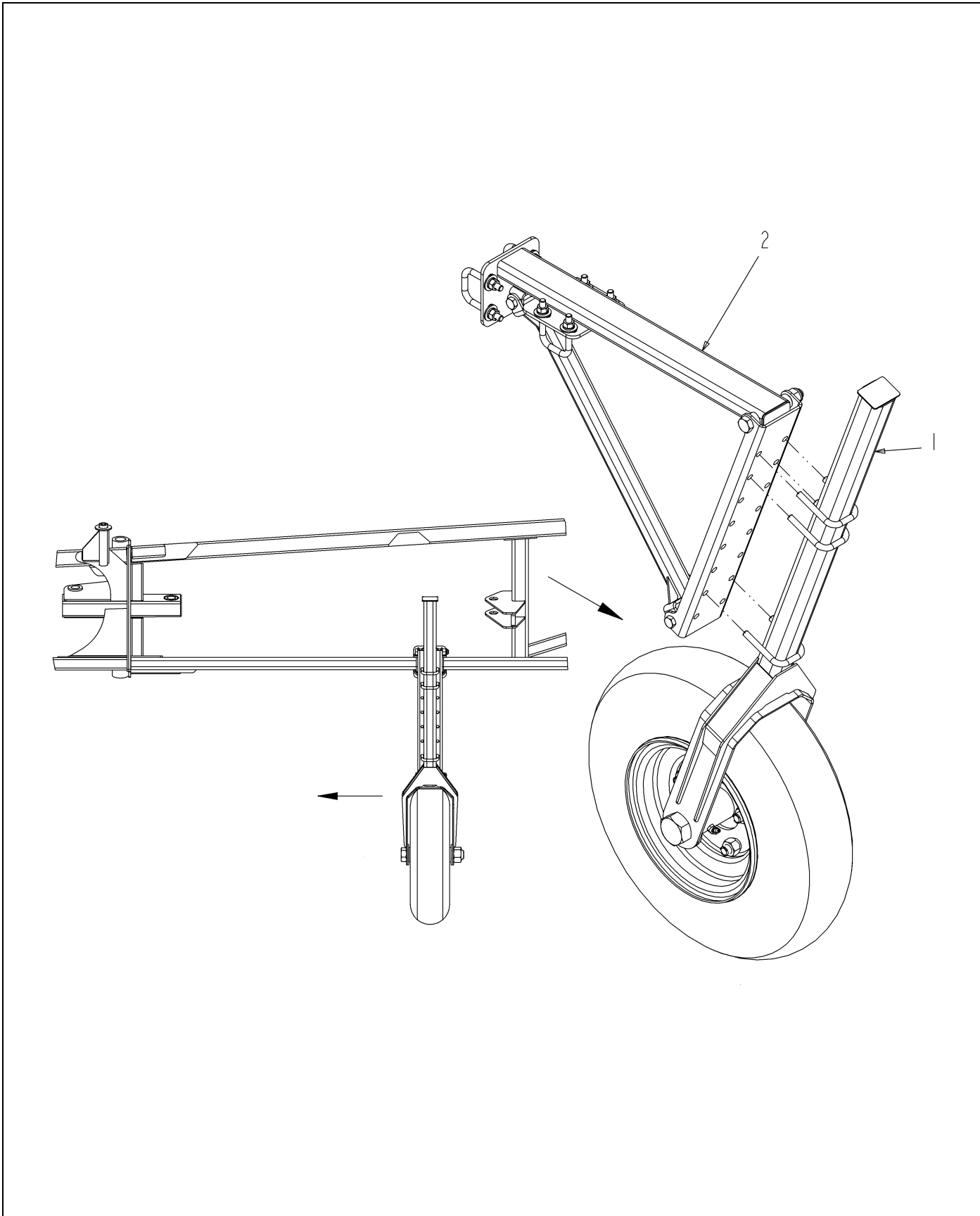


SECTION A-A



HUB WLDMT-WHEEL,AUTOBOOM

ITEM	PART #	QTY	DESCRIPTION	COMMENTS
1	506922D1	2	BUSHING RWK-1.253X1.008X2.00	
2	506923D1	1	TUBE-MTG,HUB,WHEEL,AUTOBOOM	
3	506924D1	1	PLATE-MTG,HUB,WHEEL,AUTOBOOM	
4	506943D1	5	BOLT-STUD,WHEEL,,50-20NFX1.13	

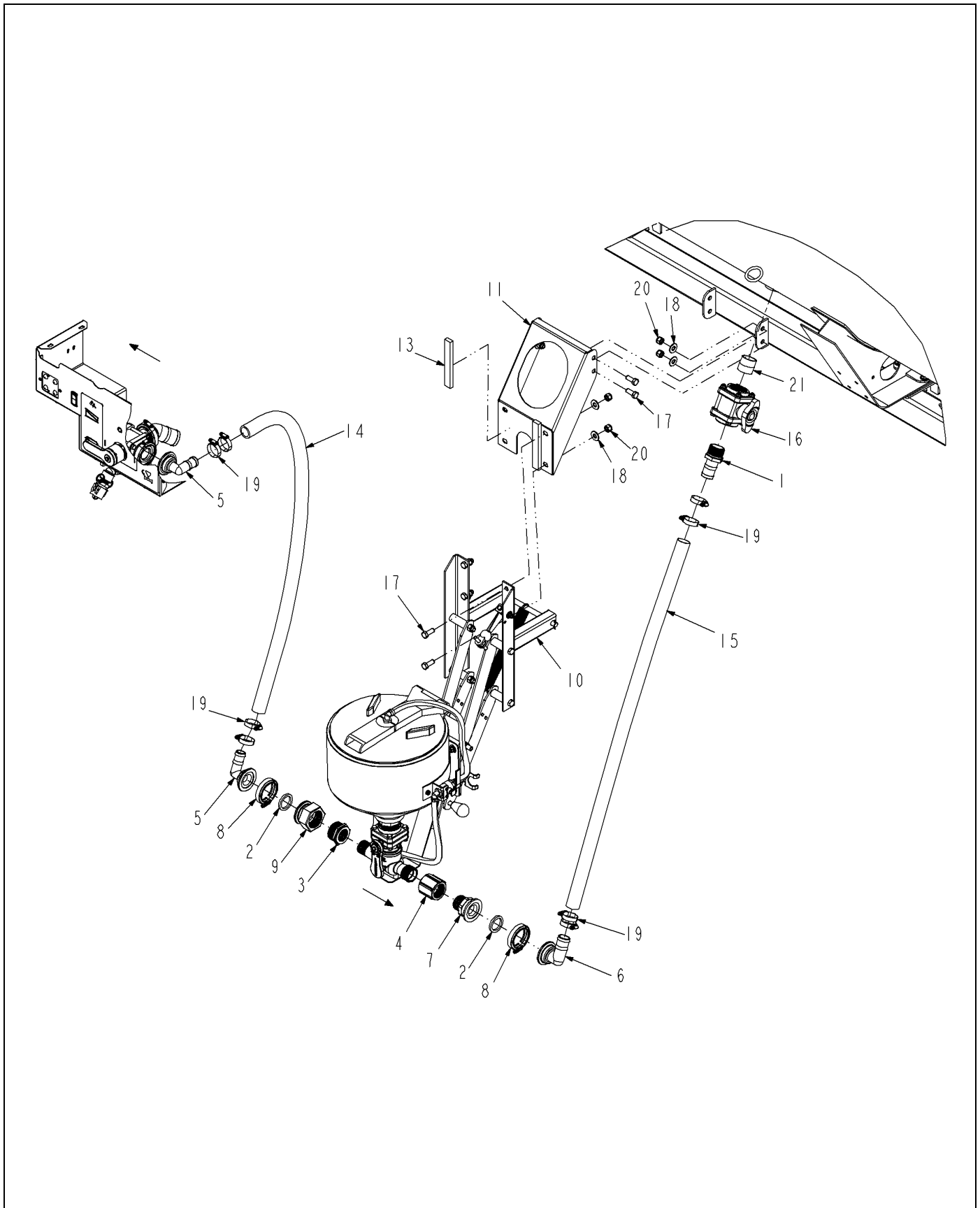


508038D1-02-R245-.TIF

WHEEL INSTL-AUTOBOOM,80/90/100

ITEM	PART #	QTY	DESCRIPTION	COMMENTS
1	506910D1	2	FORK ASM-WHEEL,AUTOBOOM	SEE PAGE 11-25
2	508278D1	2	ARM ASM-WHEEL,AUTOBM,80/90/100	SEE PAGE 11-61

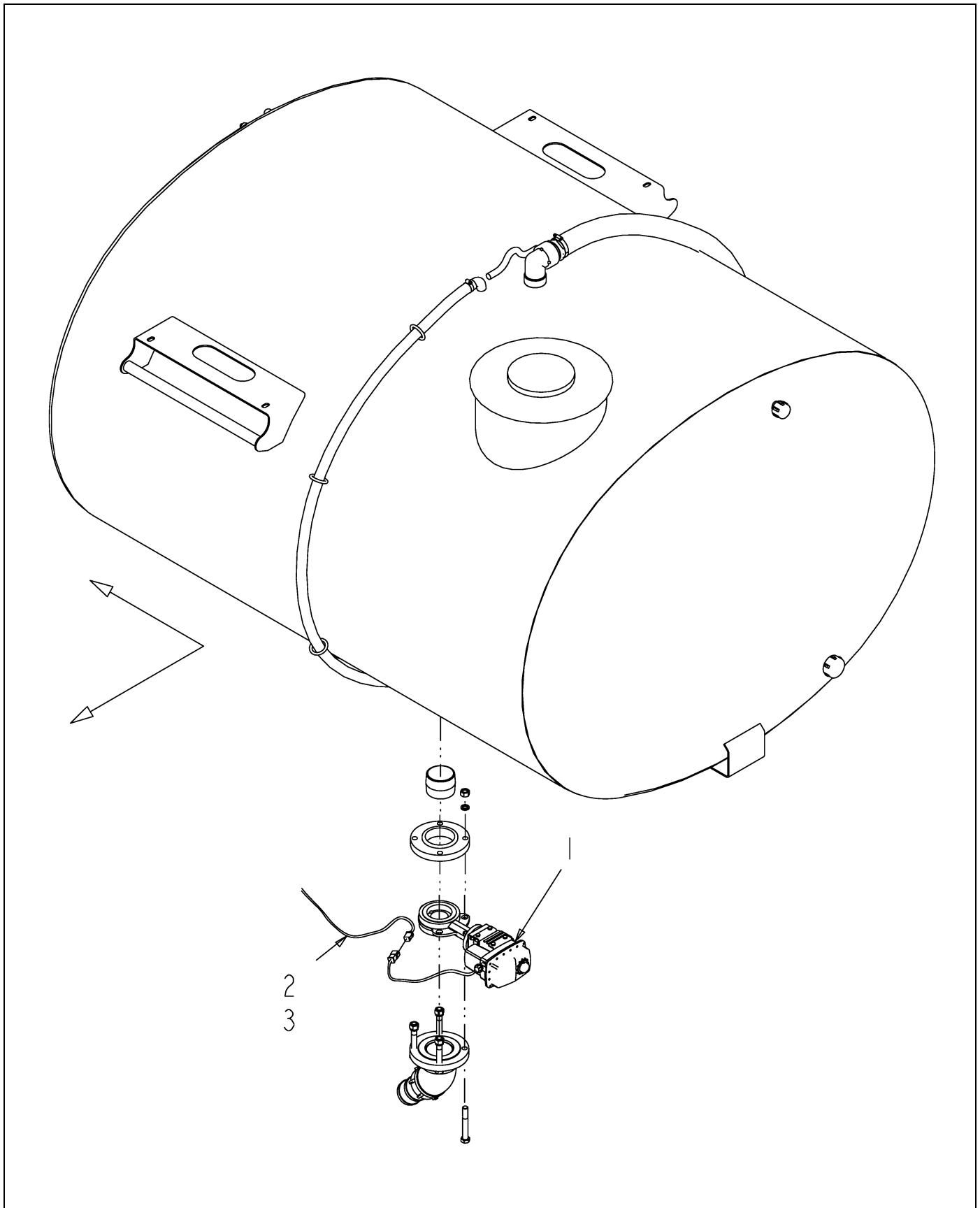
OPT-CHEM EDUCTOR, PE CLEANLOAD



512943D1-02-R529-.TIF

OPT-CHEM EDUCTOR,PE CLEANLOAD

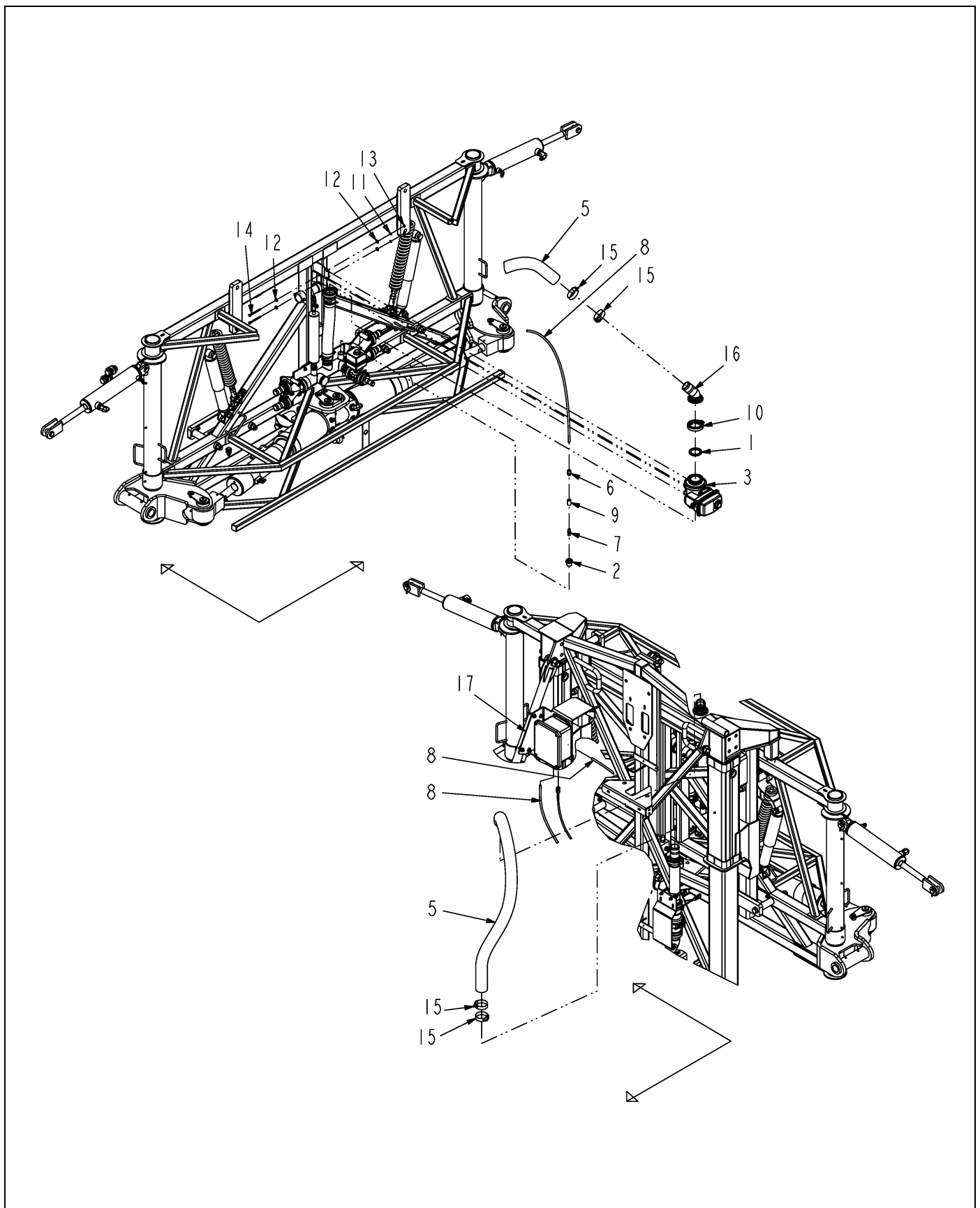
ITEM	PART #	QTY	DESCRIPTION	COMMENTS
1	AG000766	1	BARB-HOSE,1.50MNPTX1.50BARB,PP	
2	AG000772	2	GASKET 1.50 EPDM	
3	AG050260	1	BSHG-RDCR,HEX,2.00X1.25NPT,PP	
4	AG050271	1	COUPLING-PIPE,1.50NPT,PP	
5	AG056290	2	CONNECTOR 2.00FLGX1.25HOSE 90D	
6	AG056292	1	CONNECTOR 2.00FLGX1.50HOSE 90D	
7	AG056293	1	CONNECTOR 2.00FLGX1.50MNPT	
8	AG056785	2	CLAMP 2.00 FLANGE	
9	AG057573	1	ADAPTER 2.00FLANGEX2.00FPT	
10	AG124281	1	EDUCTOR ASM-CHEMICAL,PE	SEE PAGE 2-19
11	AG124288	1	BRACKET-MTG,SHORT,EDUCTOR	
12	AG129187	AR	PIPE SEALANT-FLEX BLACK	
13	AG230095	2	STRIP INSULATION LONG	
14	AG513393	-	HOSE 1.25 2BRD EPDM [BULK: 4.834 FT]	
15	AG522800	-	HOSE-1.50,DISCHARGE,NITRILE [BULK: 4.334 FT]	
16	AG524024	1	VALVE-BALL,1.50NPT,T HANDLE	SEE PAGE 2-29
17	AG550256	8	BOLT.50-13NCX1.25 G5 ZN HHD	
18	AG550353	8	WASHER 0.50 FL ZN REG TYPE-B	
19	AG561231	8	CLAMP 1.06-2.00 HOSE 24HS	
20	AG601152	8	NUT 0.50-13NC HEX ZN REG NY	
21	AG710515	1	NIPPLE 1.50NPTX 1.75CLS 304SS	



513303D1-01-N620-.TIF

OPT-SUMP VALVE,3.00,ELEC

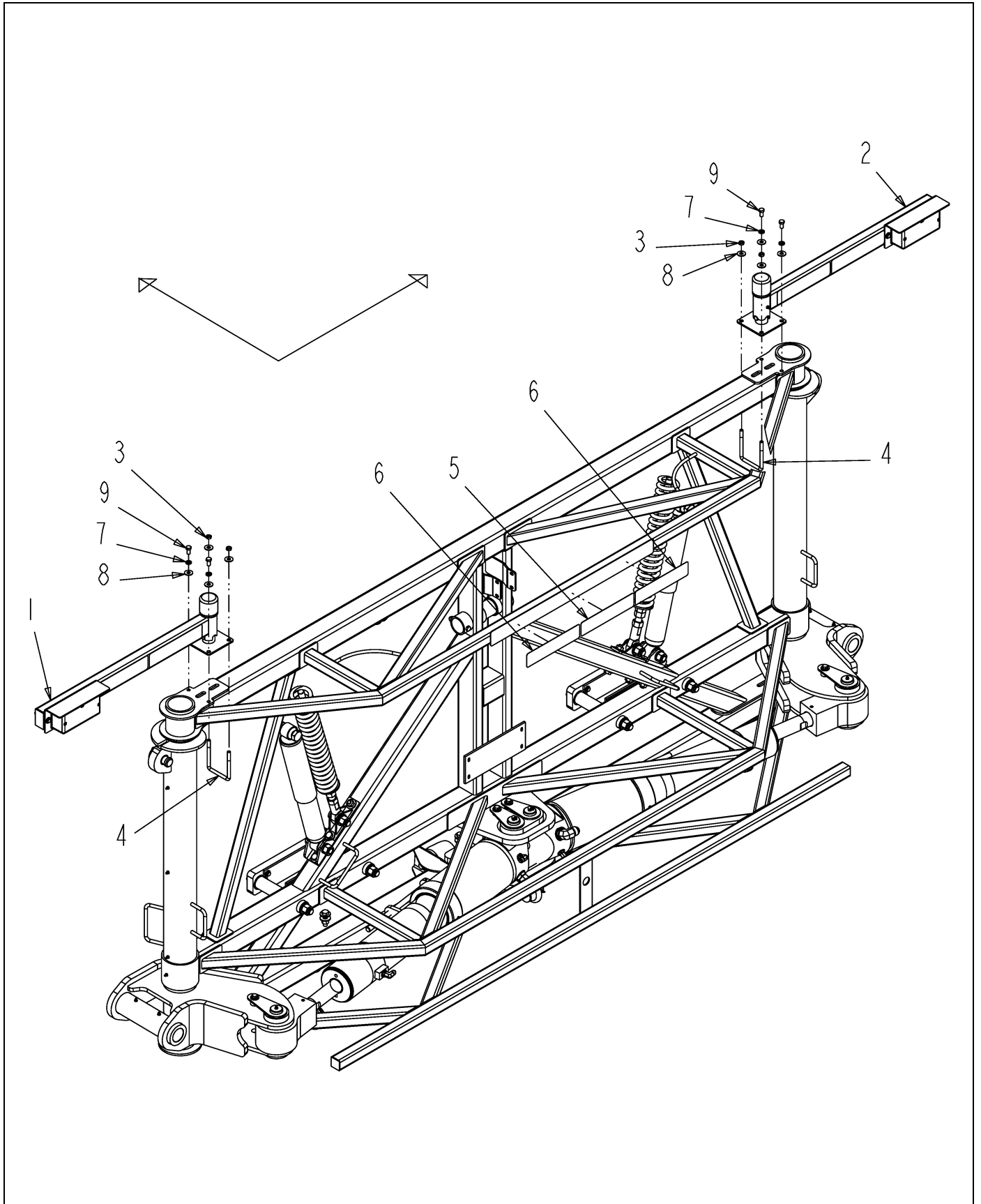
ITEM	PART #	QTY	DESCRIPTION	COMMENTS
1	AG123760	1	VALVE ASM-3.00 ELEC,EH4,3 SEC	SEE PAGE 1-16
2	509414D1	-	HARNESS-PROD CONT,SYS,LIQ,RG	
3	511623D1	-	HARNESS-PRODUCT CONTROL(SYS)	



514998D1-01-N980-.TIF

SYS INSTL-BCO,BM TREE,5.00 SL

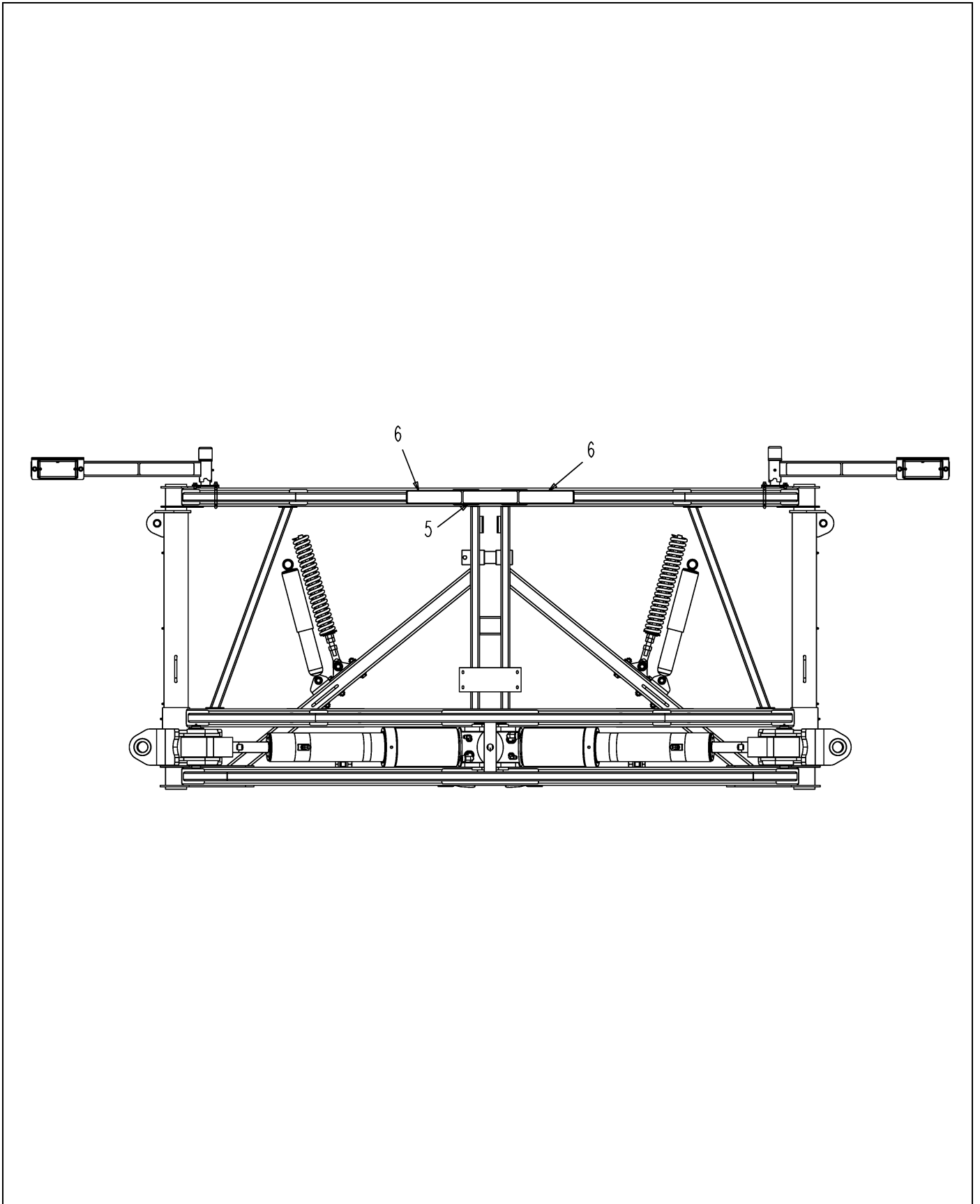
ITEM	PART #	QTY	DESCRIPTION	COMMENTS
1	AG000773	1	GASKET 2.00 EPDM	
2	AG051573	1	BSHG-RDCR,HEX,0.75X0.25NPT,PP	
3	AG121956	1	VALVE-BALL,2.00FP FLG,ELEC	SEE PAGE 2-21
4	AG129187	AR	PIPE SEALANT-FLEX BLACK	
5	AG511722	-	HOSE-2.00,WIRE BRAID,EPDM [BULK: 6.084 FT]	
6	AG516481	1	CONNECTOR M 0.38X0.25NPT AUTLK	
7	AG517999	1	VALVE CHECK 0.25NPTF 3000PSI	
8	AG518847	-	TUBING H.D.P.E. 3/8 IN [BULK: 21.334 FT]	
9	AG519336	1	COUPLING PIPE 0.25 NPT 304SS	
10	AG522895	1	CLAMP-WORM SCREW,2.00,SS	
11	AG550493	2	WASHER 0.25 LK ZN REG	
12	AG550507	4	WASHER 0.25 FL ZN REG TYPE-B	
13	AG550612	2	NUT 0.25-20NC HEX ZN REG	
14	AG561246	2	BOLT 0.25-20NCX 3.25 G5 ZN HDD	
15	AG561630	4	CLAMP 2.28-2.59HOSE VOSS-250SS	
16	507731D1	1	BARB-45D,2.00FP FLGX2.00 HOSE	
17	514996D1	1	BRKT ASM-MTG,AIR BOX,BCO	SEE PAGE 7-7



516450D1-01-N980-01.TIF

AWFL INSTL-BRKAWAY,120 BM,RC

ITEM	PART #	QTY	DESCRIPTION	COMMENTS
1	AG130565	1	BRKT ASM-MTG,BREAKAWAY,AWFL,LH	SEE PAGE 6-26
2	AG130566	1	BRKT ASM-MTG,BREAKAWAY,AWFL,RH	SEE PAGE 6-27
3	AG515140	4	NUT 0.37-16NC HEX SS HVY NY	
4	AG523297	2	BOLT-U,.38-16X3.06X4.00L,SQ,SS	
5	AG523361	1	TAPE-REFLECTIVE,RED,DOT-C2	
6	AG523591	2	REFLECTOR-FLUOR RED/ORN2.0X9.0	
7	AG562050	4	WASHER 0.37 LK SS REG	
8	AG562073	8	WASHER 0.37 FL SS REG TYPE-B	
9	AG562120	4	BOLT 0.37-16NCX 0.75 S.S. HDD	



516450D1-01-N980-02.TIF

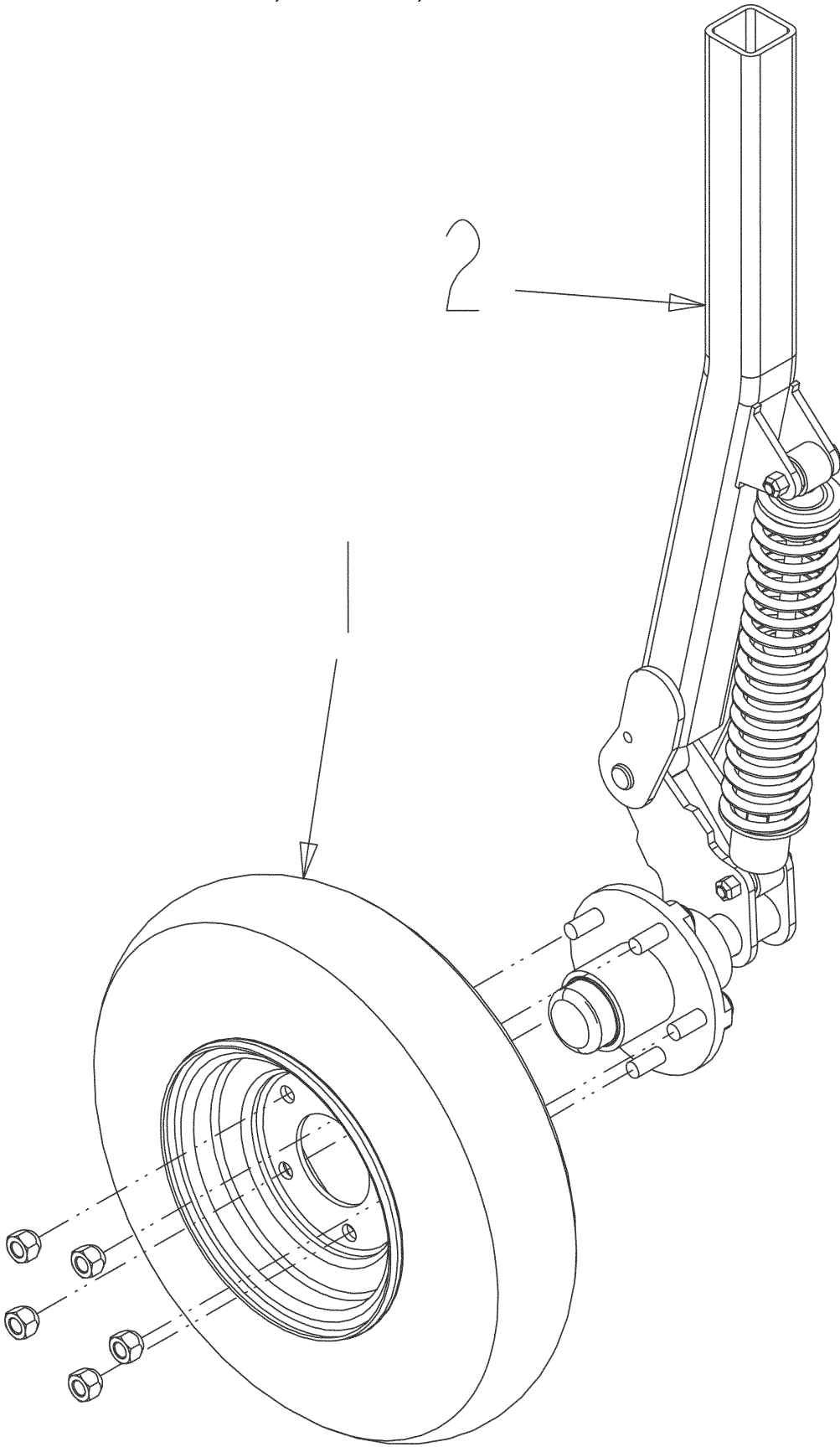
AWFL INSTL-BRKAWAY,120 BM,RC

ITEM	PART #	QTY	DESCRIPTION	COMMENTS
5	AG523361	1	TAPE-REFLECTIVE,RED,DOT-C2	
6	AG523591	2	REFLECTOR-FLUOR RED/ORN2.0X9.0	

WHEEL INSTL-CUSH,AUTOBOOM,120

ITEM	PART #	QTY	DESCRIPTION	COMMENTS
1	516969D1	1	WHEEL/AXLE ASM-CUSH,AUTOBM,LH	SEE PAGE 11-34
2	516970D1	1	WHEEL/AXLE ASM-CUSH,AUTOBM,RH	SEE PAGE 11-36
3	516972D1	2	ARM ASM-MTG,WHL,CUSH,120	SEE PAGE 11-74

WHEEL/AXLE ASM-CUSH,AUTOBM,LH

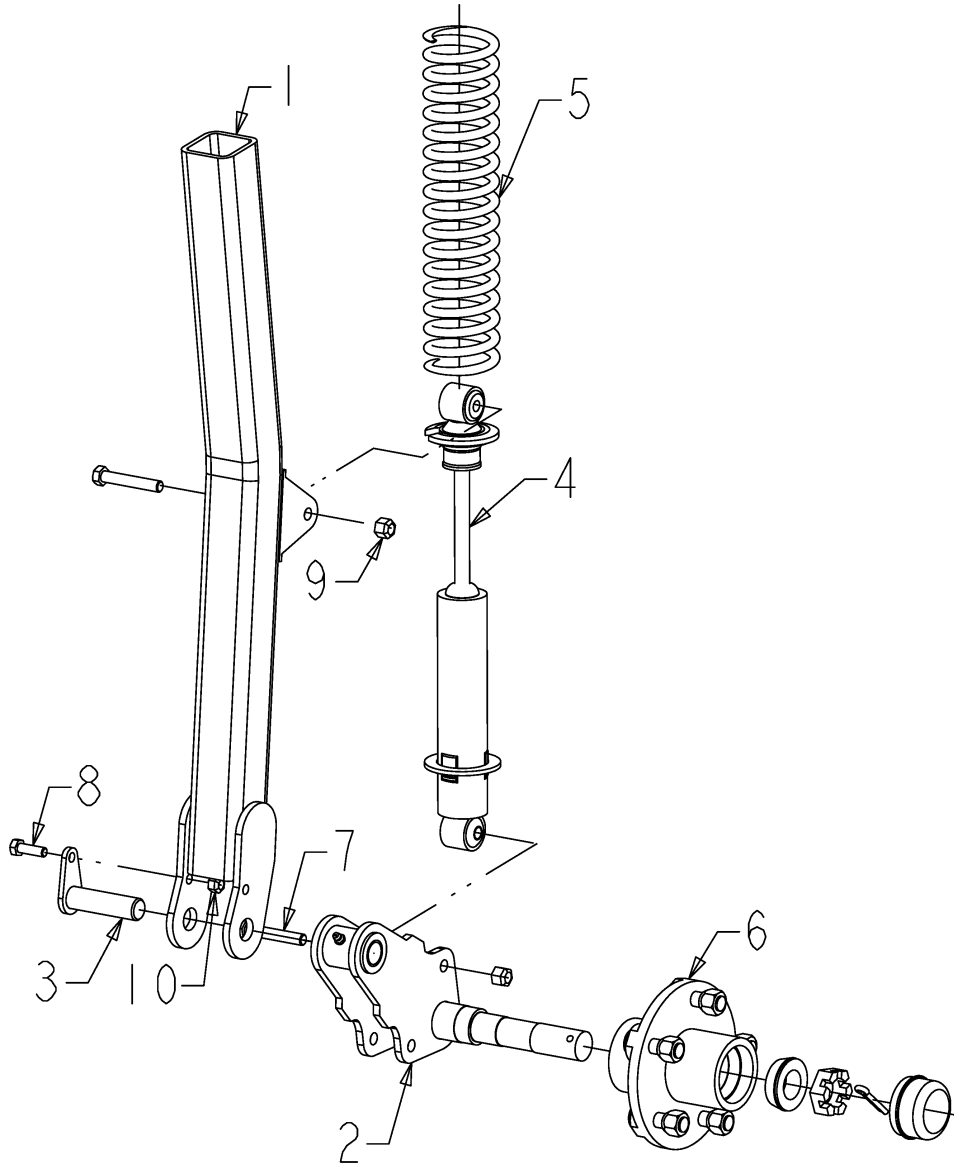


516969D1-01-R059-.tif

WHEEL/AXLE ASM-CUSH,AUTOBM,LH

ITEM	PART #	QTY	DESCRIPTION	COMMENTS
1	506912D1	1	WHEEL ASM-AUTOBOOM	
2	516967D1	1	AXLE ASM-CUSH,AUTOBM,LH	SEE PAGE 11-35

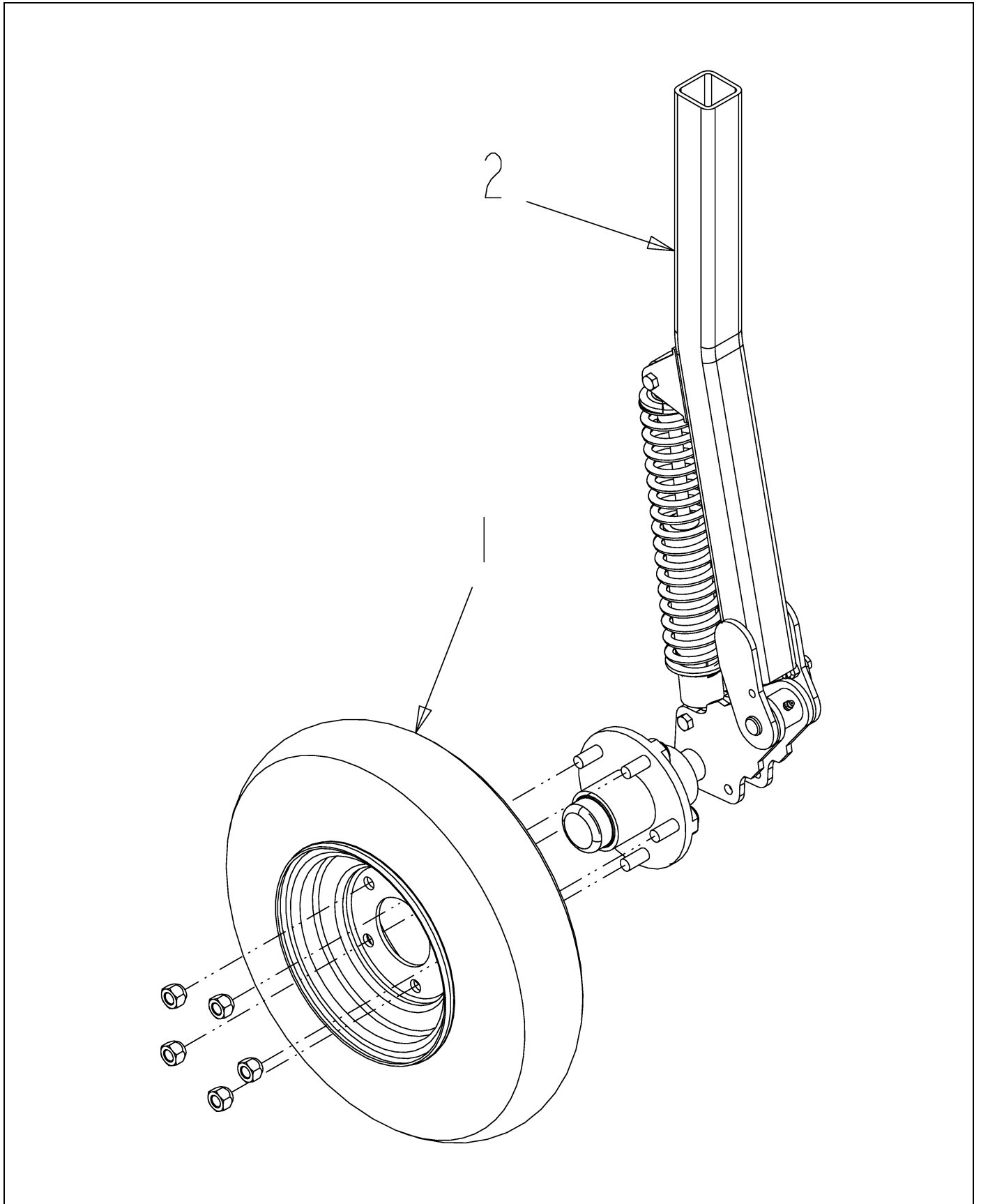
AXLE ASM-CUSH,AUTOBM,LH



516967D1-01-R059-02.TIF

AXLE ASM-CUSH,AUTOBM,LH

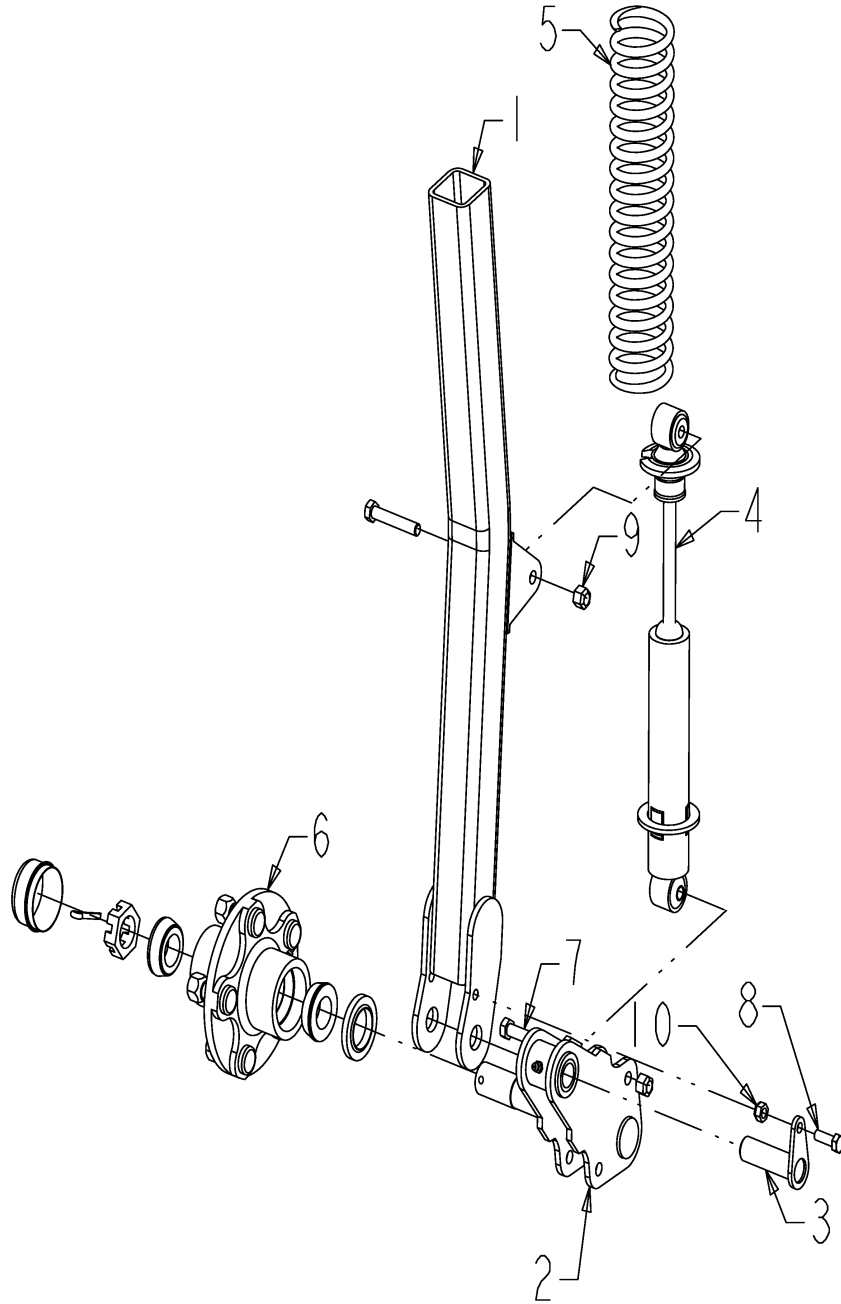
ITEM	PART #	QTY	DESCRIPTION	COMMENTS
1	AG332166	1	WLDMT/ARM/GAGEWHL/CUSH/ATOBOOM	
2	AG332165	1	ARM/PIVOT/CUSHIONED GAGE WHL	
3	AG332164	1	WLDMNT/PIVOT/CUSHIONEDGAGE WHL	
4	AG426900	1	SHOCK/ABSORBER - AG426744	
5	AG426899	1	SPRING/COIL-12.25 L X 1.8 ID	
6	AG332163	1	ASSEMBLY/HUB 5-BOLT	
7	AG332160	2	BOLT/3/8-16 X 2-1/4	
8	AG332159	1	BOLT/5/16-18 X 1	
9	AG332158	2	NUT/LOCK/NYLON INSERT-3/8-16	
10	AG716744	1	INSERT-LOCKNUT NY 5/16 -18	



516970D1-01-R059-.TIF

WHEEL/AXLE ASM-CUSH,AUTOBM,RH

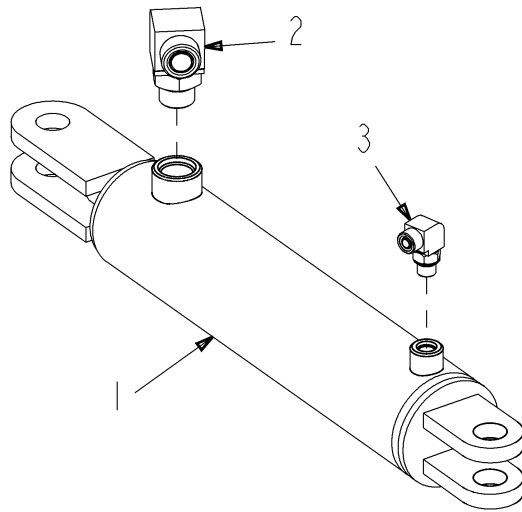
ITEM	PART #	QTY	DESCRIPTION	COMMENTS
1	506912D1	1	WHEEL ASM-AUTOBOOM	
2	516968D1	1	AXLE ASM-CUSH,AUTOBM,RH	SEE PAGE 11-37



516968D1-01-R059-02.TIF

AXLE ASM-CUSH,AUTOBM,RH

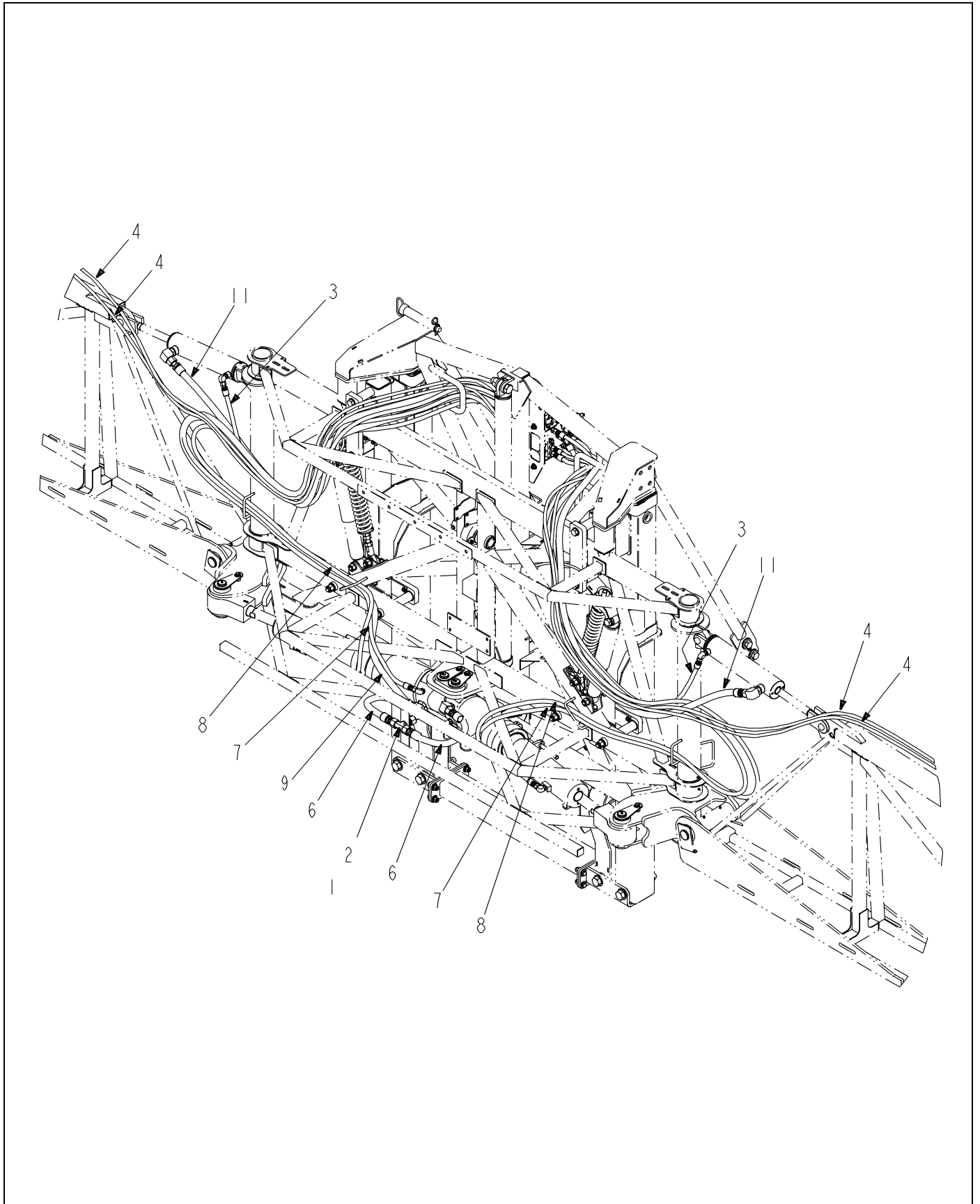
ITEM	PART #	QTY	DESCRIPTION	COMMENTS
1	AG332166	1	WLDMT/ARM/GAGEWHL/CUSH/ATOBOOM	
2	AG332165	1	ARM/PIVOT/CUSHIONED GAGE WHL	
3	AG332164	1	WLDMNT/PIVOT/CUSHIONEDGAGE WHL	
4	AG426900	1	SHOCK/ABSORBER - AG426744	
5	AG426899	1	SPRING/COIL-12.25 L X 1.8 ID	
6	AG332163	1	ASSEMBLY/HUB 5-BOLT	
7	AG332160	2	BOLT/3/8-16 X 2-1/4	
8	AG332159	1	BOLT/5/16-18 X 1	
9	AG332158	2	NUT/LOCK/NYLON INSERT-3/8-16	
10	AG716744	1	INSERT-LOCKNUT NY 5/16 -18	



518291D1-01-R172-.TIF

CYL ASM-TILT,W/O AUTOBM,120,LH

ITEM	PART #	QTY	DESCRIPTION	COMMENTS
1	AG136825	1	CYLINDER-HYD,3.00X11.38X1.25	SEE PAGE 5-29
2	CH148-8347	1	ELBOW AS-90° 12STOR X 12ORFS	SEE PAGE 5-34
3	CH148-8378	1	ELBOW AS-90-6STOR X 6ORFS	SEE PAGE 5-24

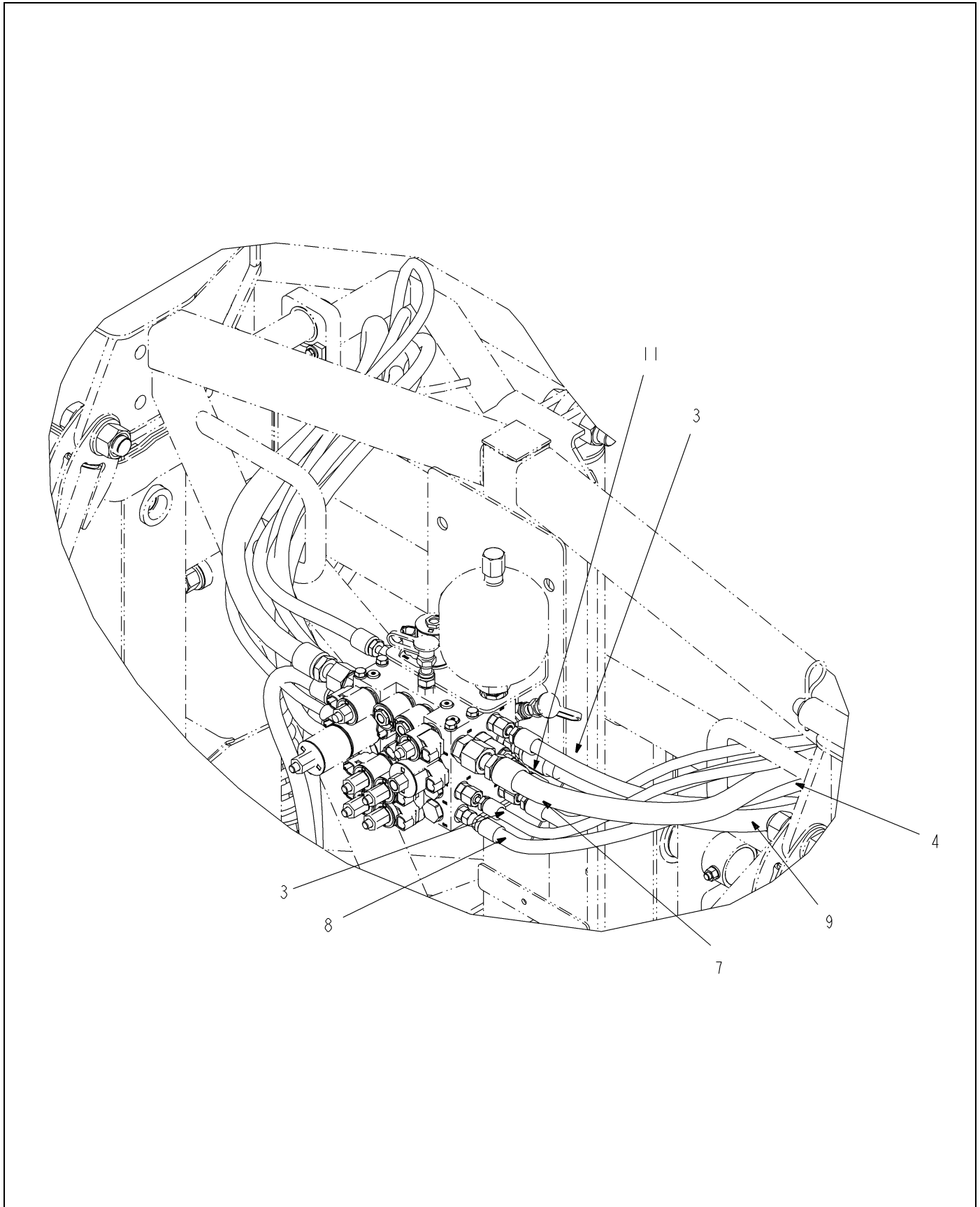


518292D1-01-R172-01.TIF

HOSE INSTL-HYD,W/O AUTOBM,120

ITEM	PART #	QTY	DESCRIPTION	COMMENTS
1	400961X1	1	BULKHEAD NUT-12ORFS	
2	401320X1	1	BLKHD BR TEE ASM,-12 ORFS	SEE PAGE 4-53
3	512548D1	-	HOSE ASM,-6X126.0 ORFS/ORFS	
4	513468D1	-	HOSE ASM,-4X429 6ORFS/ORFS	
5	518294D1	1	KIT-HOSE,HYD,W/O AUTOBOOM,120	
6	518324D1	-	HOSE ASM,-12X24 ORFS/ORFS	
7	518325D1	-	HOSE ASM,-6X204 ORFS/ORFS	
8	518326D1	-	HOSE ASM,-6X204 4ORFS/ORFS	
9	518327D1	-	HOSE ASM,-12X204 8ORFS/ORFS90	
11	518329D1	-	HOSE ASM PARF-12X136 ORFS/ORFS	

HOSE INSTL-HYD,W/O AUTOBM,120

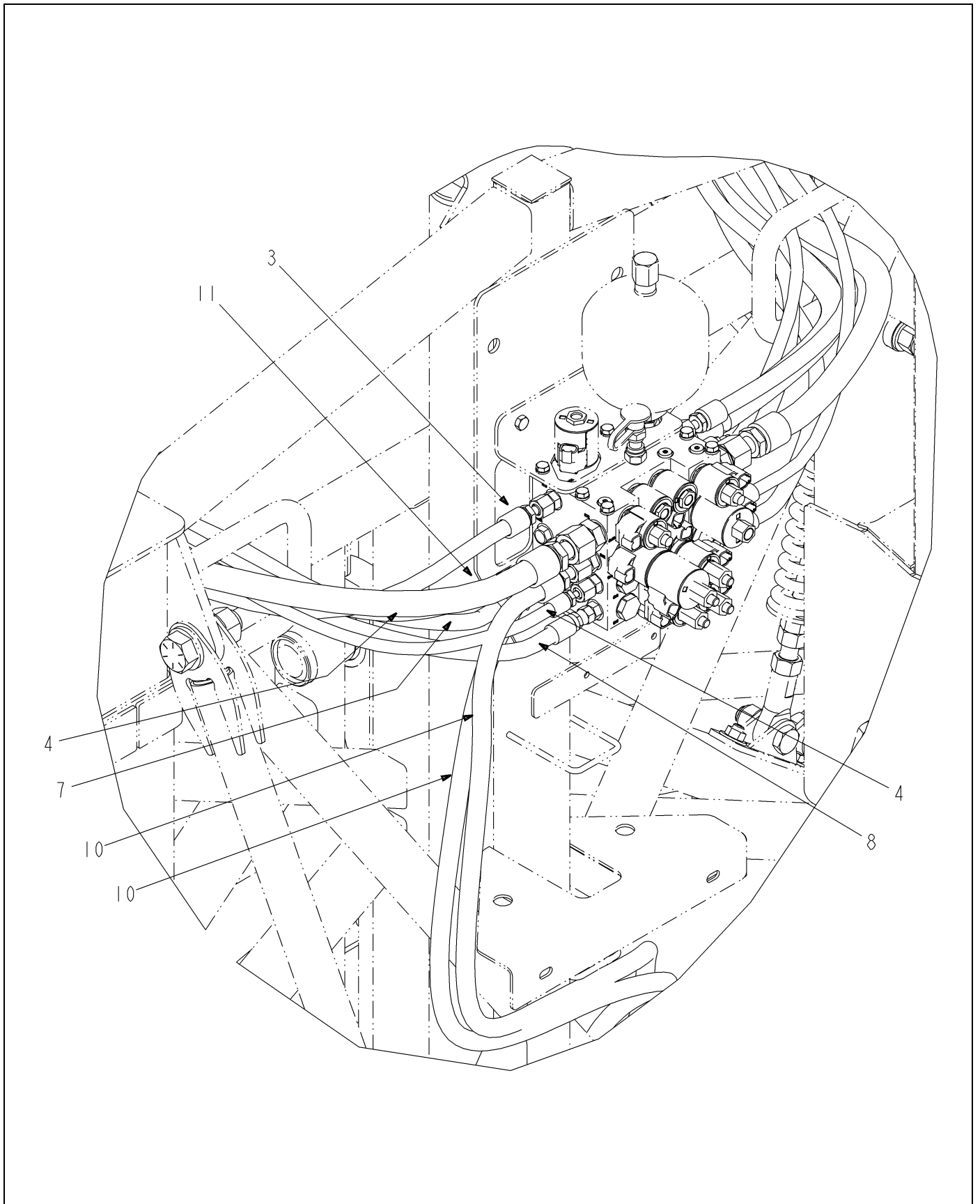


518292D1-01-R172-02.TIF

HOSE INSTL-HYD,W/O AUTOBM,120

ITEM	PART #	QTY	DESCRIPTION	COMMENTS
3	512548D1	-	HOSE ASM,-6X126.0 ORFS/ORFS	
4	513468D1	-	HOSE ASM,-4X429 6ORFS/ORFS	
7	518325D1	-	HOSE ASM,-6X204 ORFS/ORFS	
8	518326D1	-	HOSE ASM,-6X204 4ORFS/ORFS	
9	518327D1	-	HOSE ASM,-12X204 8ORFS/ORFS90	
11	518329D1	-	HOSE ASM PARF-12X136 ORFS/ORFS	

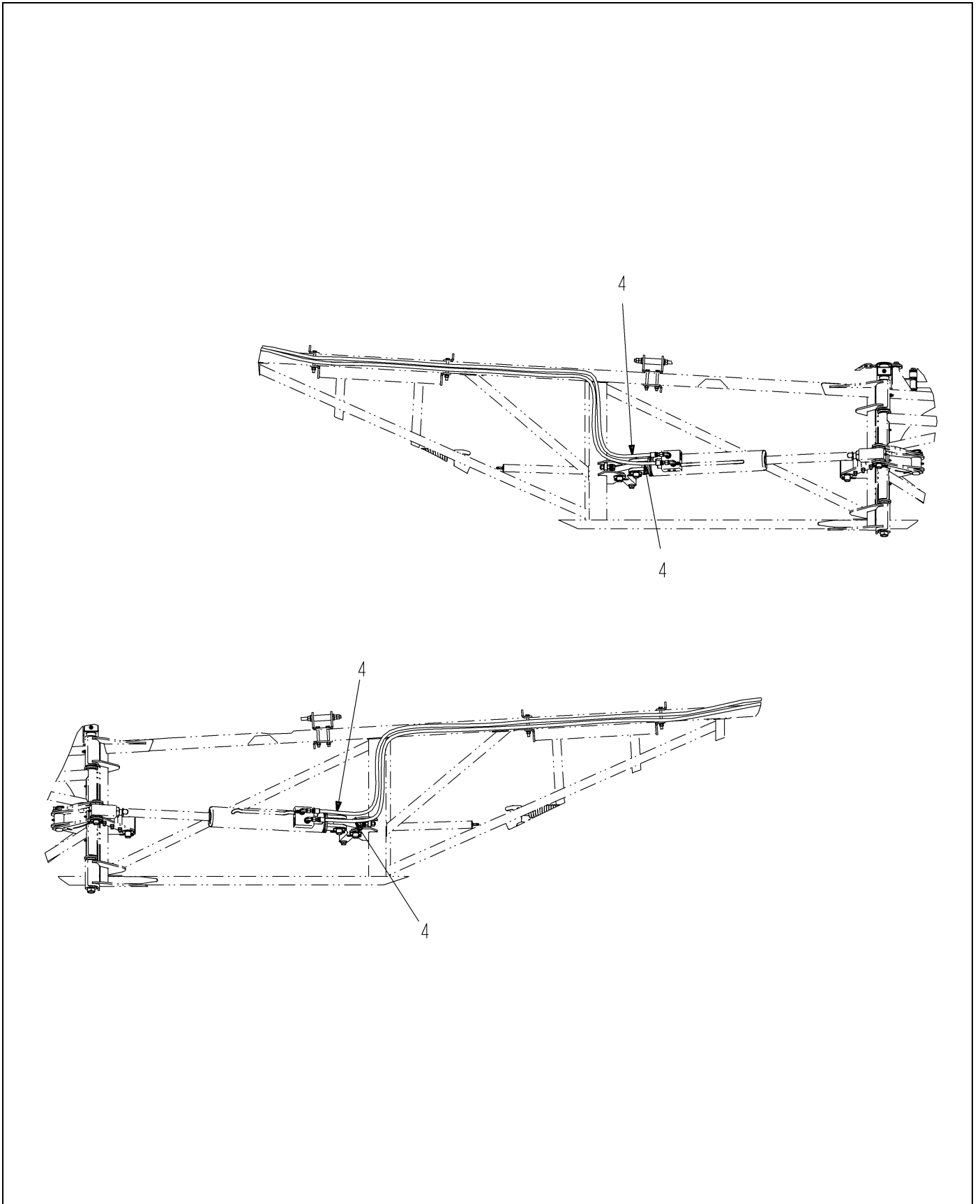
HOSE INSTL-HYD,W/O AUTOBM,120



518292D1-01-R172-03.TIF

HOSE INSTL-HYD,W/O AUTOBM,120

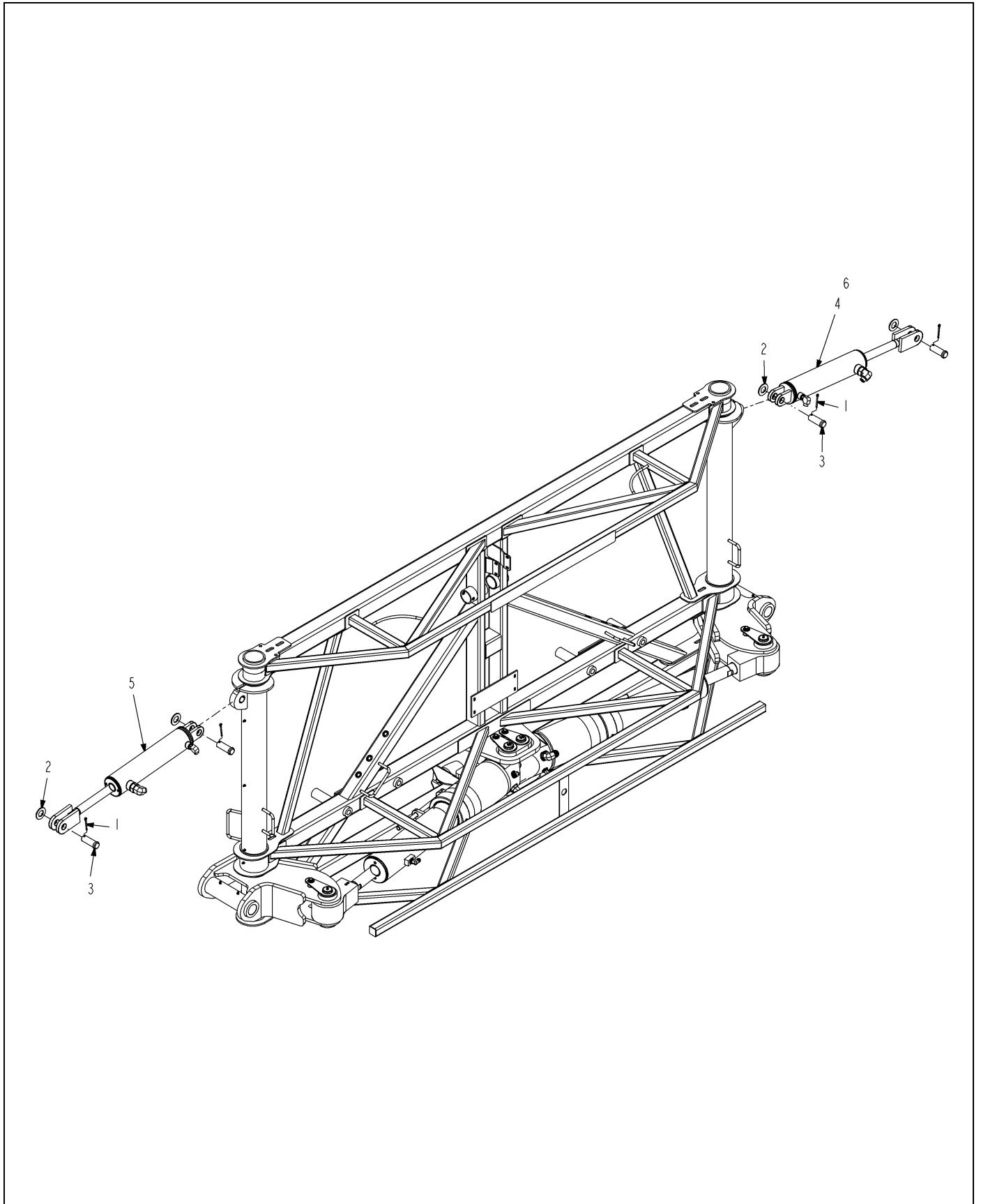
ITEM	PART #	QTY	DESCRIPTION	COMMENTS
3	512548D1	-	HOSE ASM,-6X126.0 ORFS/ORFS	
4	513468D1	-	HOSE ASM,-4X429 6ORFS/ORFS	
7	518325D1	-	HOSE ASM,-6X204 ORFS/ORFS	
8	518326D1	-	HOSE ASM,-6X204 4ORFS/ORFS	
10	518328D1	-	HOSE ASM,-8X54 ORFS/ORFS45	
11	518329D1	-	HOSE ASM PARF-12X136 ORFS/ORFS	



518292D1-01-R172-04.TIF

HOSE INSTL-HYD,W/O AUTOBM,120

ITEM	PART #	QTY	DESCRIPTION	COMMENTS
4	513468D1	-	HOSE ASM,-4X429 6ORFS/ORFS	

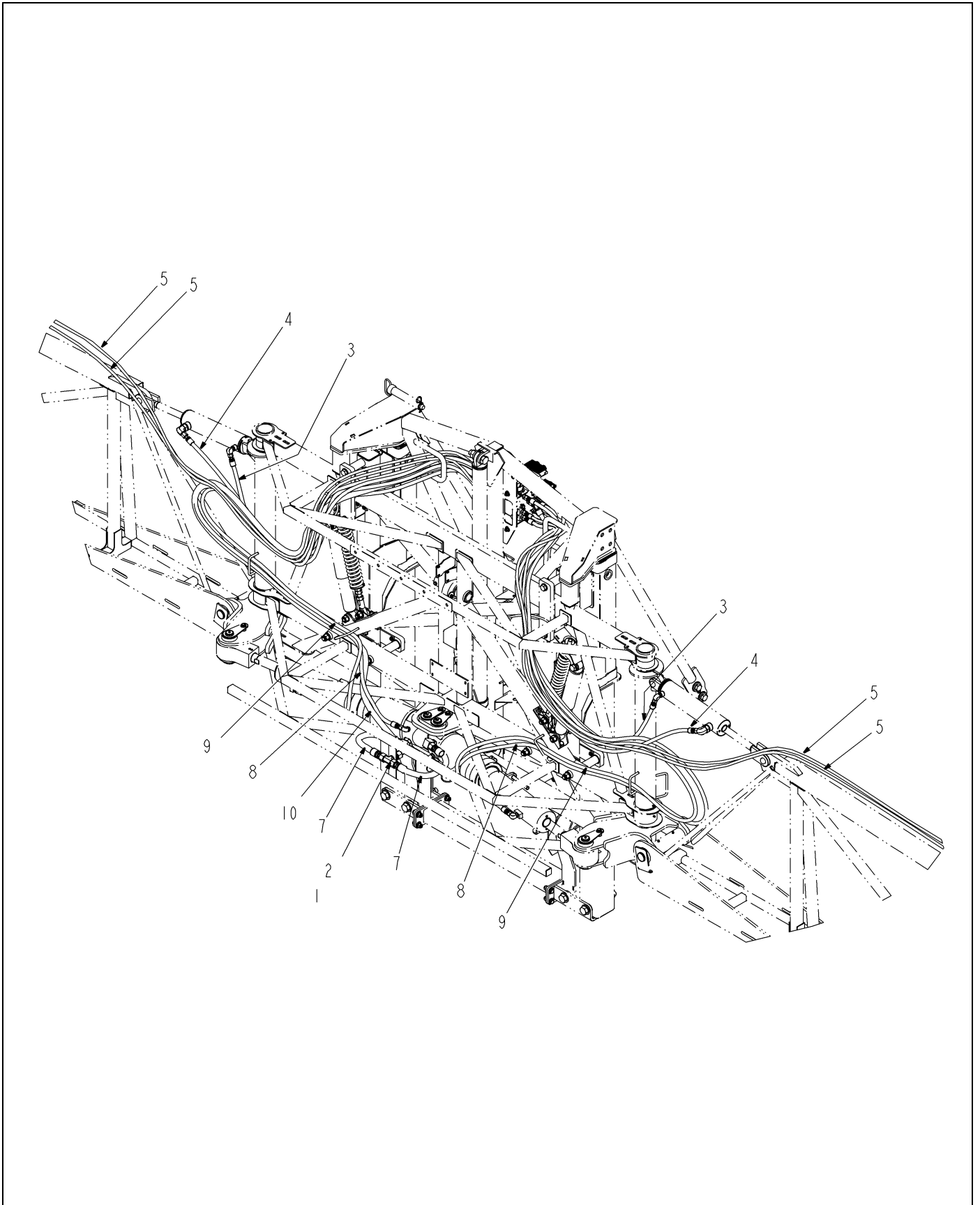


518289D1-01-R172-.TIF

CYL INSTL-TILT,W/AUTOBOOM,120

ITEM	PART #	QTY	DESCRIPTION	COMMENTS
1	AG515352	4	PIN COTTER 0.18X2.00 SS	
2	AG551856	4	WASHER 1.00 FL ZN SAE TYPE-A	
3	AG602132	4	PIN CLEVIS 1.00X2.62 ZN	[A]
4	513464D1	1	CYLINDER ASM-TILT,BOOM,120,RH	SEE PAGE 11-8
5	513465D1	1	CYLINDER ASM-TILT,BOOM,120,LH	SEE PAGE 11-9
6	518293D1	1	HOSE INSTL-HYD,W/AUTOBOOM,120	SEE PAGE 11-47
	FOOTNOTE [A]		GREASABLE PIN IS 519637	

HOSE INSTL-HYD,W/AUTOBOOM,120

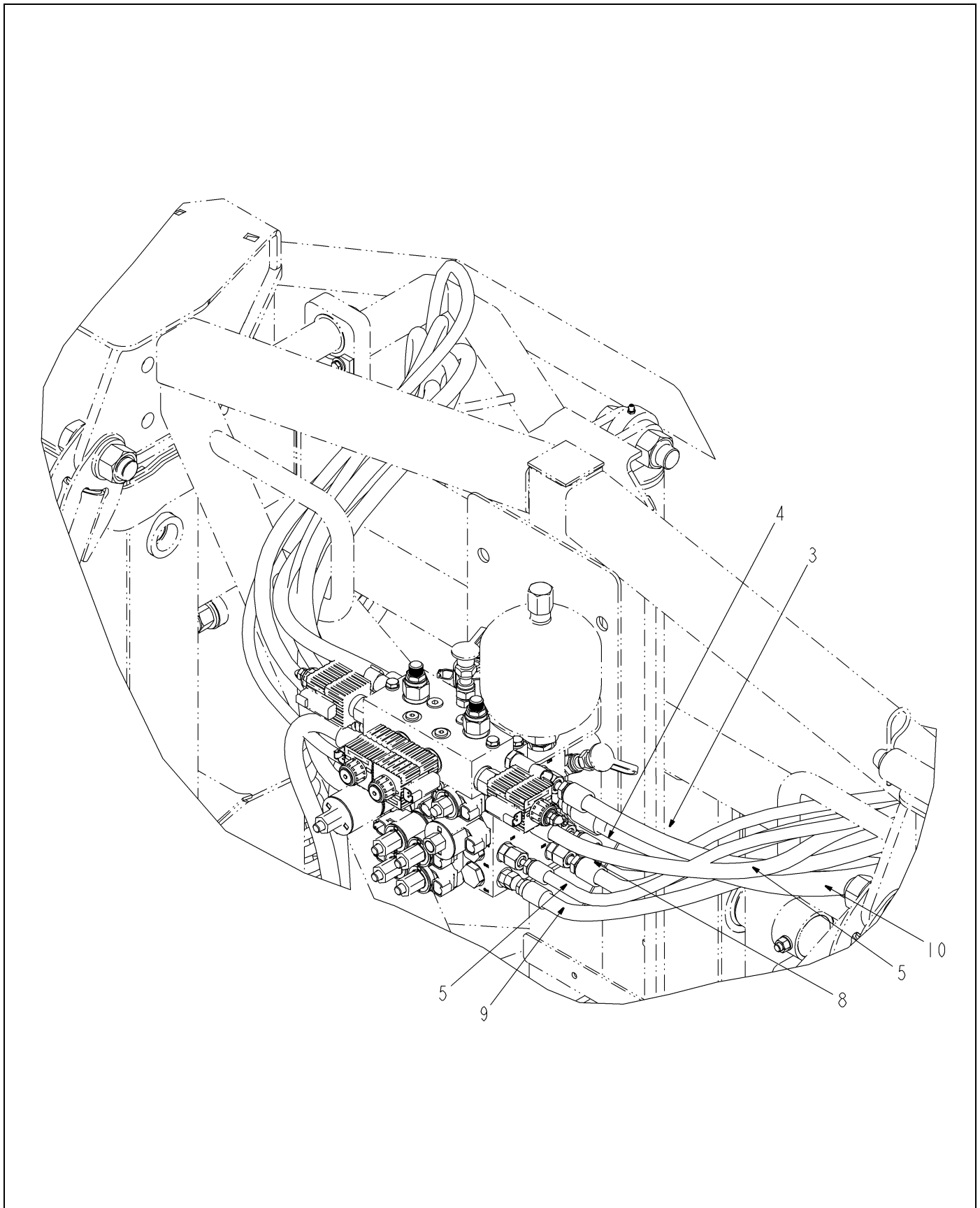


518293D1-01-R172-01.TIF

HOSE INSTL-HYD,W/AUTOBOOM,120

ITEM	PART #	QTY	DESCRIPTION	COMMENTS
1	400961X1	1	BULKHEAD NUT-12ORFS	
2	401320X1	1	BLKHD BR TEE ASM,-12 ORFS	SEE PAGE 4-53
3	512548D1	-	HOSE ASM,-6X126.0 ORFS/ORFS	
4	512611D1	-	HOSE ASM,-6X136.0 8ORFS/8ORFS	
5	513468D1	-	HOSE ASM,-4X429 6ORFS/ORFS	
6	518295D1	1	KIT-HOSE,HYD,W/AUTOBOOM,120	
7	518324D1	-	HOSE ASM,-12X24 ORFS/ORFS	
8	518325D1	-	HOSE ASM,-6X204 ORFS/ORFS	
9	518326D1	-	HOSE ASM,-6X204 4ORFS/ORFS	
10	518327D1	-	HOSE ASM,-12X204 8ORFS/ORFS90	

HOSE INSTL-HYD,W/AUTOBOOM,120

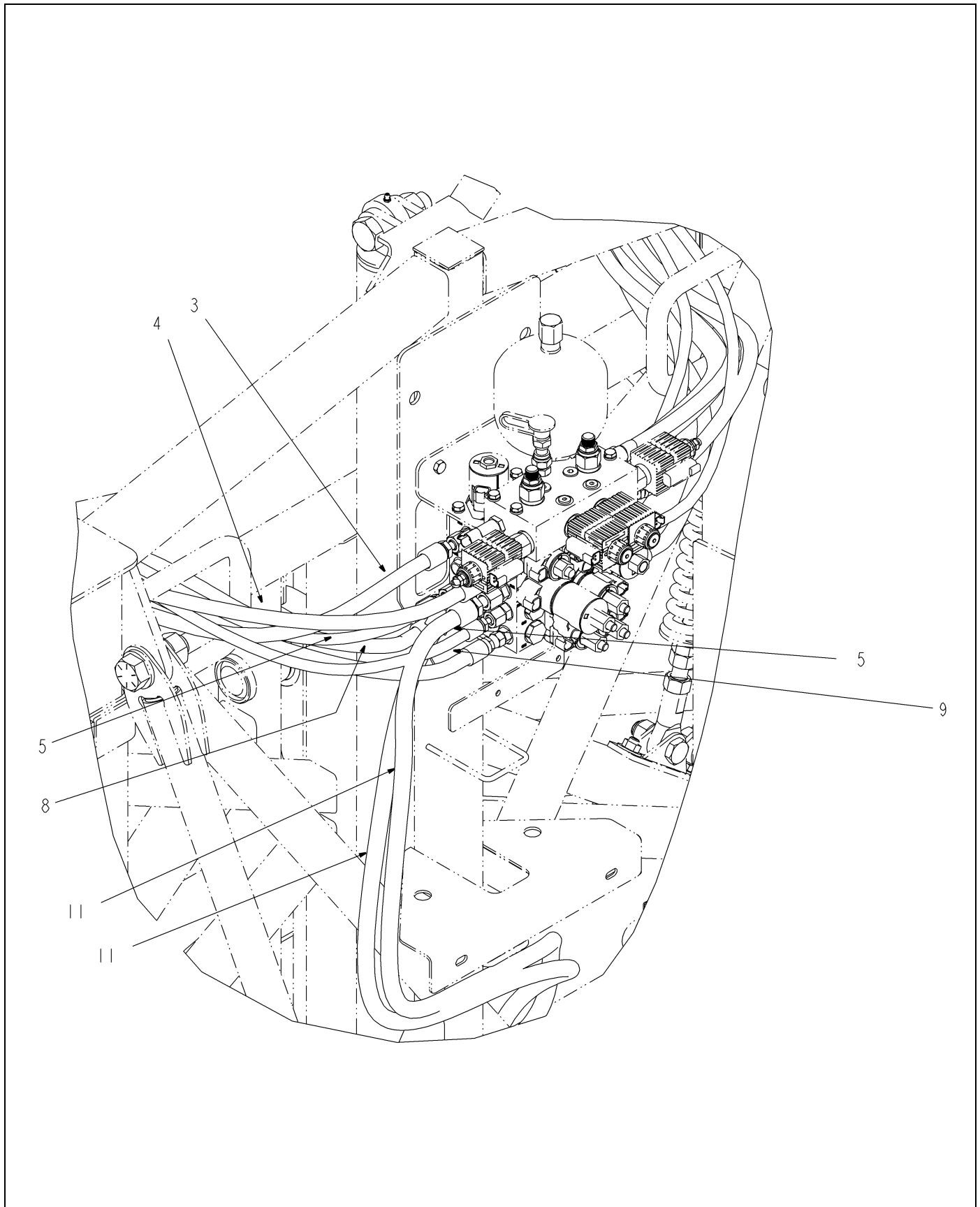


518293D1-01-R172-02.TIF

HOSE INSTL-HYD,W/AUTOBOOM,120

ITEM	PART #	QTY	DESCRIPTION	COMMENTS
3	512548D1	-	HOSE ASM,-6X126.0 ORFS/ORFS	
4	512611D1	-	HOSE ASM,-6X136.0 8ORFS/8ORFS	
5	513468D1	-	HOSE ASM,-4X429 6ORFS/ORFS	
8	518325D1	-	HOSE ASM,-6X204 ORFS/ORFS	
9	518326D1	-	HOSE ASM,-6X204 4ORFS/ORFS	
10	518327D1	-	HOSE ASM,-12X204 8ORFS/ORFS90	

HOSE INSTL-HYD,W/AUTOBOOM,120

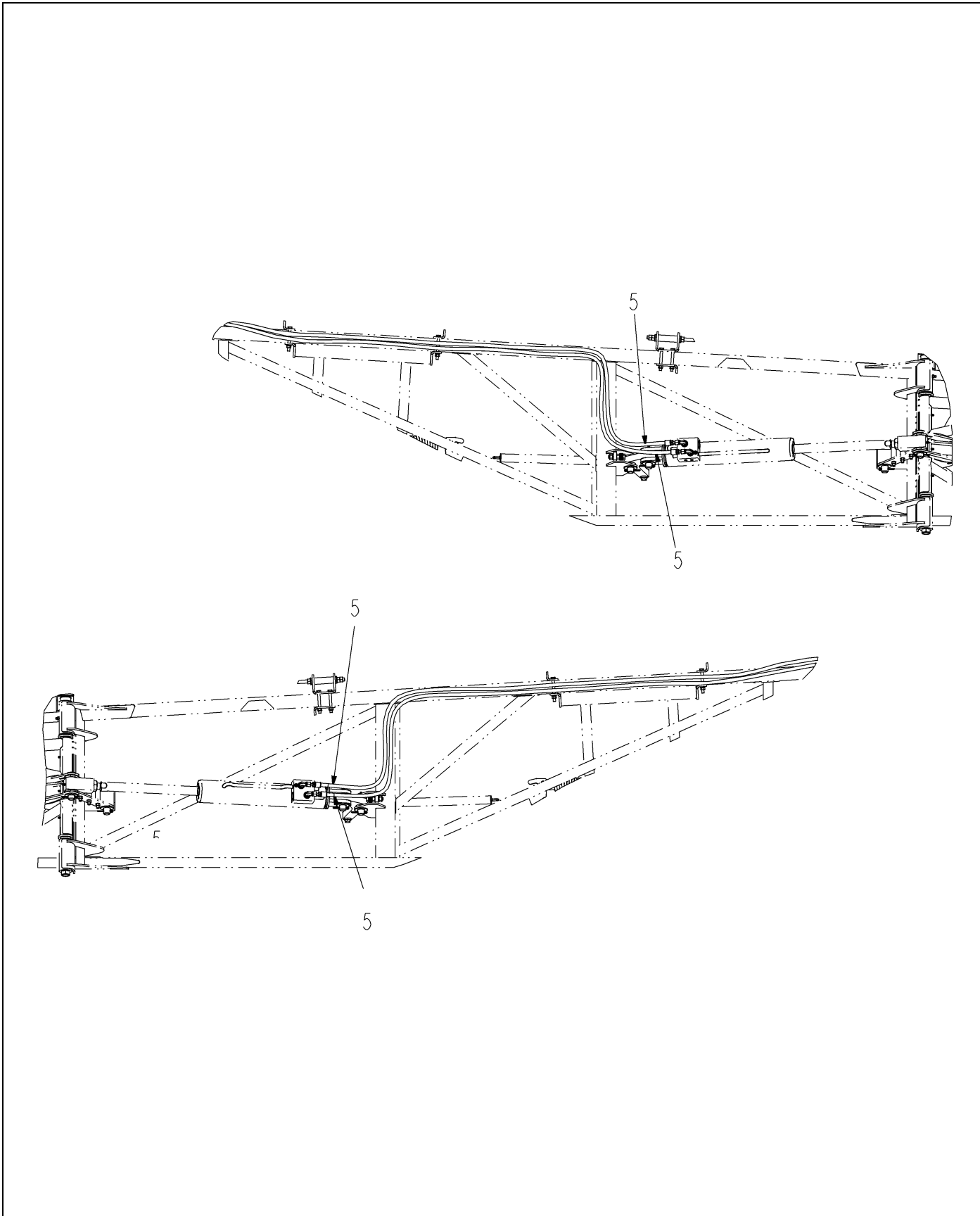


518293D1-01-R172-03.TIF

HOSE INSTL-HYD,W/AUTOBOOM,120

ITEM	PART #	QTY	DESCRIPTION	COMMENTS
3	512548D1	-	HOSE ASM,-6X126.0 ORFS/ORFS	
4	512611D1	-	HOSE ASM,-6X136.0 8ORFS/8ORFS	
5	513468D1	-	HOSE ASM,-4X429 6ORFS/ORFS	
8	518325D1	-	HOSE ASM,-6X204 ORFS/ORFS	
9	518326D1	-	HOSE ASM,-6X204 4ORFS/ORFS	
11	518328D1	-	HOSE ASM,-8X54 ORFS/ORFS45	

HOSE INSTL-HYD,W/AUTOBOOM,120

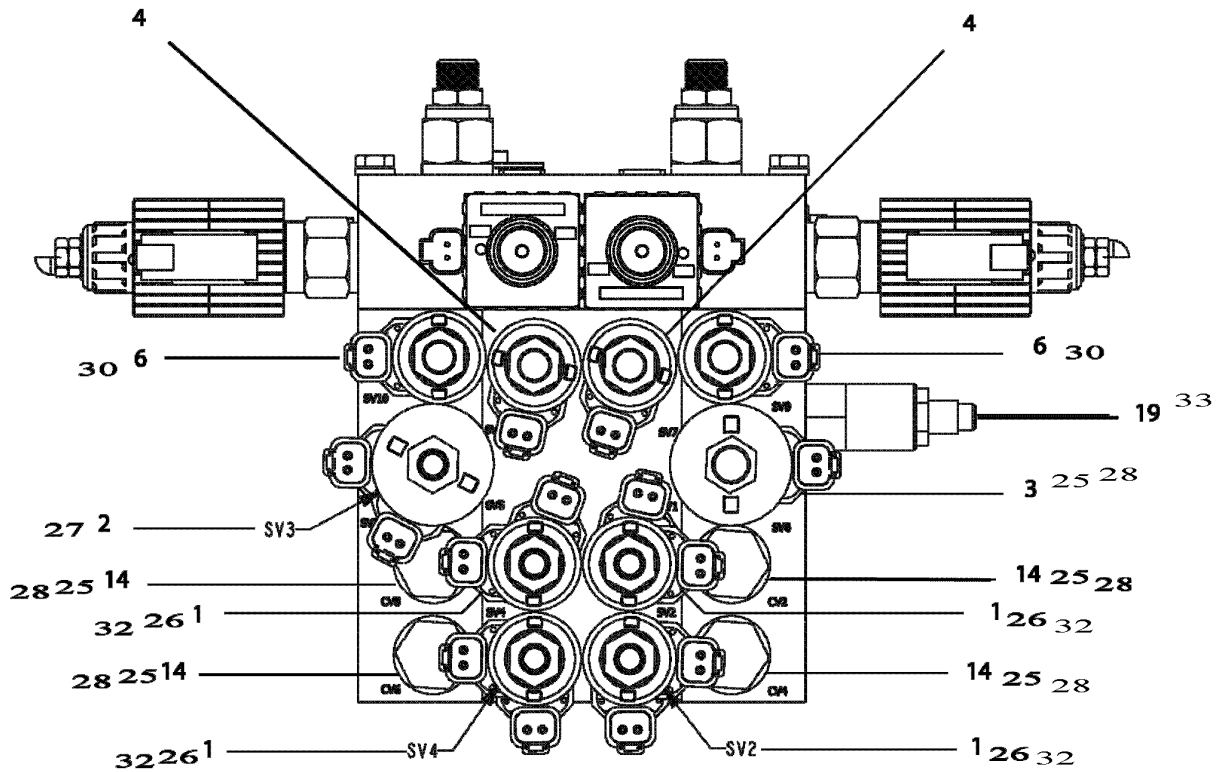


518293D1-01-R172-04.TIF

HOSE INSTL-HYD,W/AUTOBOOM,120

ITEM	PART #	QTY	DESCRIPTION	COMMENTS
5	513468D1	-	HOSE ASM,-4X429 6ORFS/ORFS	

BLOCK-VALVE,7BANK,W/AUTOBOOM

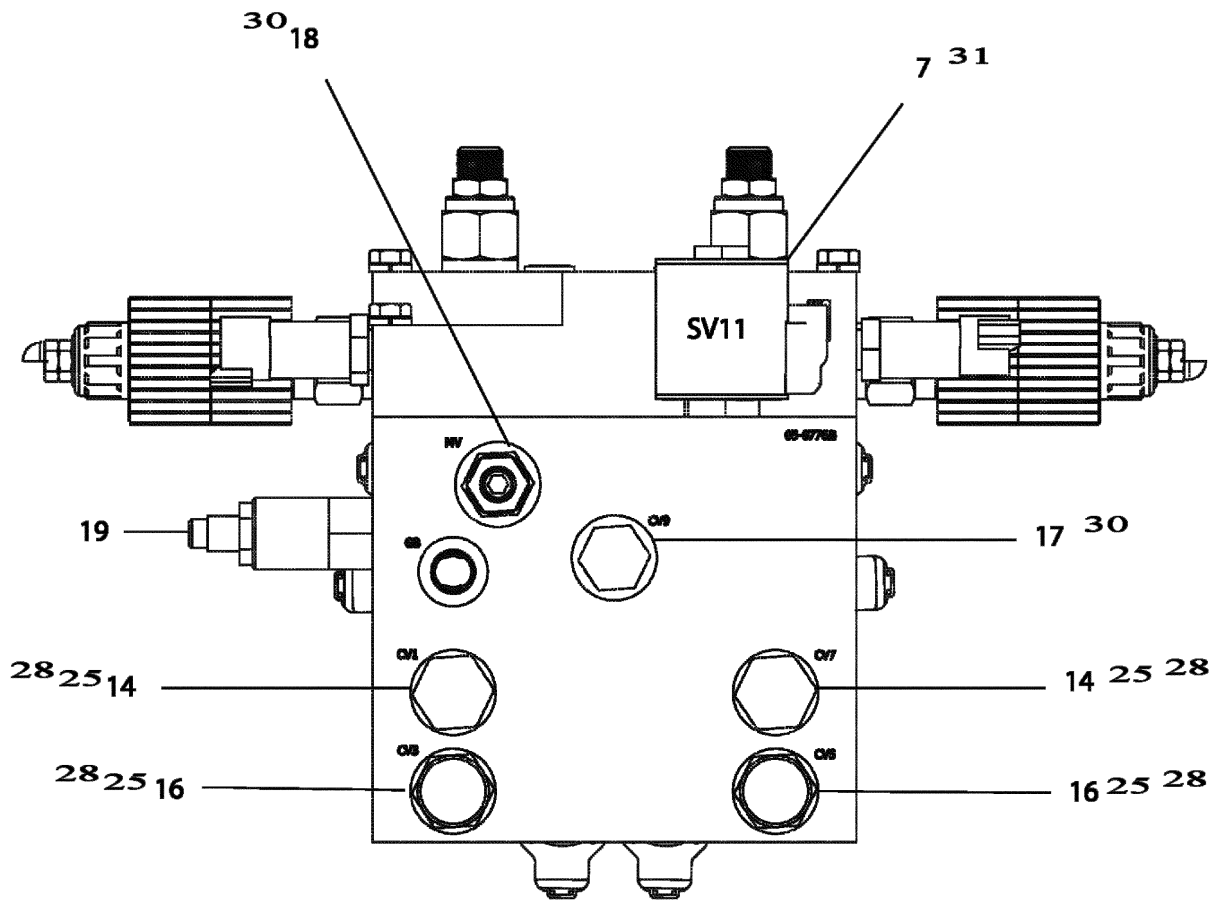


515133D1-04-R284-2.TIF

BLOCK-VALVE,7BANK,W/AUTOBOOM

ITEM	PART #	QTY	DESCRIPTION	COMMENTS
REF	AG550671	8	WASHER 0.25 FL ZN SAE TYPE-A	
1	AG727147	AR	VALVE/SOLENOID	
2	AG721899	AR	CARTRIDGE PUMP	
3	AG125811	AR	VALVE-SOL,2WAY POPPET,18 GPM	
4	AG724687	AR	SOLENOID VALVE 523480	
5	AG718011	AR	ORIFICE BOOM	
6	AG718059	AR	CARTRIDGE-2WAY,NORMALLY CLOSED	[A]
8	AG121483	AR	COIL-E,12VDC DEUTCH W/DIODE,08	
9	AG121484	AR	COIL-E,12VDC DEUTCH W/DIODE,10	
10	AG726854	AR	NUT/PULL COIL E-SERIES	
11	AG726853	AR	NUT/PUSH COIL,E-SERIES	
12	AG121486	AR	SPACER-E COIL,08	
13	AG121485	AR	SPACER-E COIL,10	
14	AG715570	AR	CHECK VALVE	
15	AG715569	AR	PILOT PISTON	
19	517308D1	1	VLV-PRESS RED,PLT OPT,1500/250	
20	AG059148	AR	ORIFICE	
21	517010D1	1	ORIFICE-2WAY,.070,-6SAE THREAD	
22	AG522023	AR	PLATE-ORFICE,2 WAY,.040 DIA	
23	AG121920	AR	NUT-PULL COIL,E-SERIES,#10	
24	AG121921	AR	NUT-PULL COIL,E-SERIES,#8	
26	AG716814	-	KIT-ORING,SPOOL VIV,4W(609463)	
27	AG715207	-	SEAL KIT	
28	AG059018	1	SEAL KIT	
29	AG714832	-	SEAL KIT 712817	
30	AG716811	-	KIT-ORING,ND VALVE(609465)	
32	AG715567	-	SOLENOID VALVE	[B]
33	AG121495	-	KIT-SEAL,VALVE,-10	
	FOOTNOTE [A]		SEAL KIT - AG716811	
	FOOTNOTE [B]		REPLACED BY AG727147	

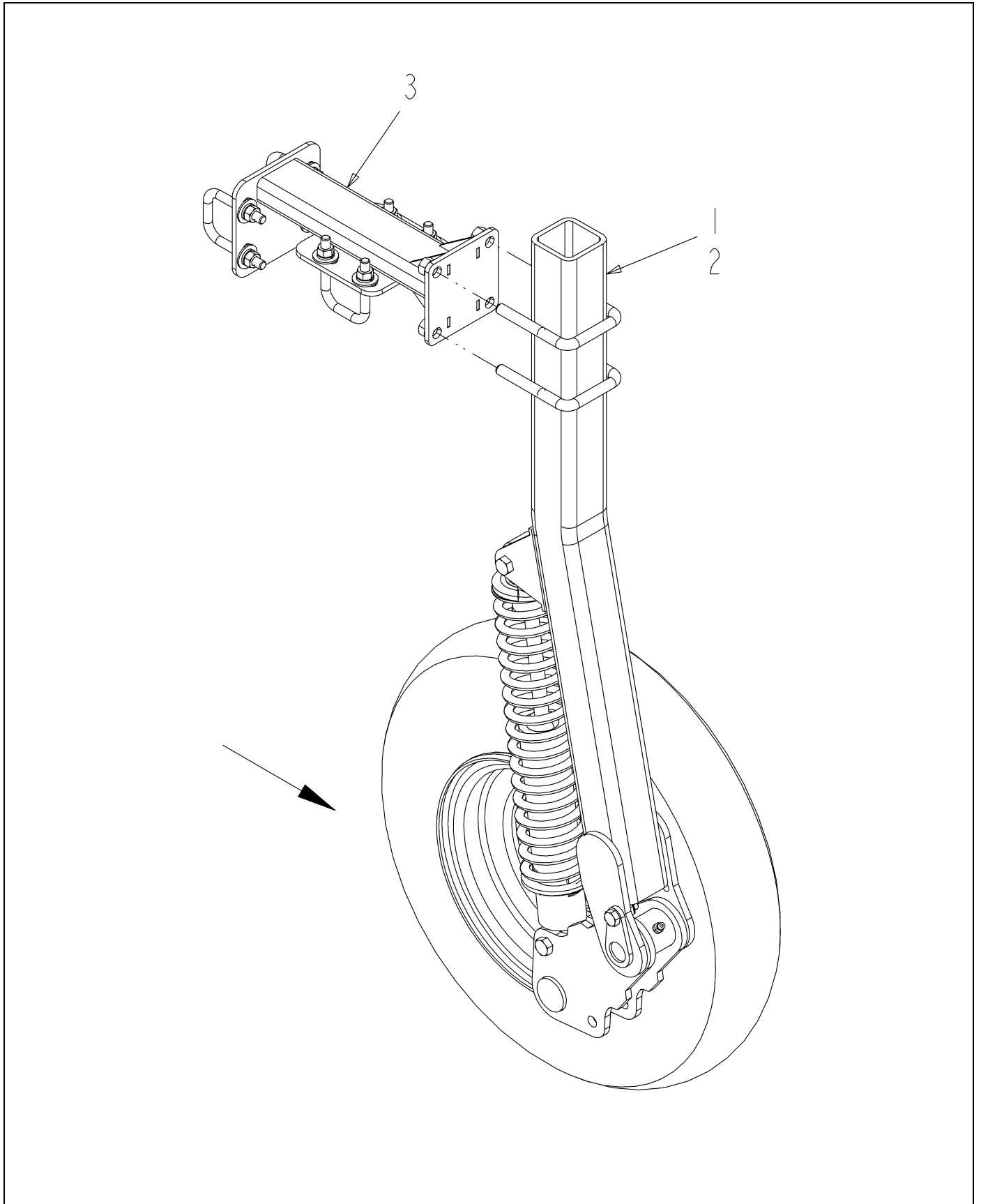
BLOCK-VALVE,7BANK,W/AUTOBOOM



515133D1-04-R284-3.TIF

BLOCK-VALVE,7BANK,W/AUTOBOOM

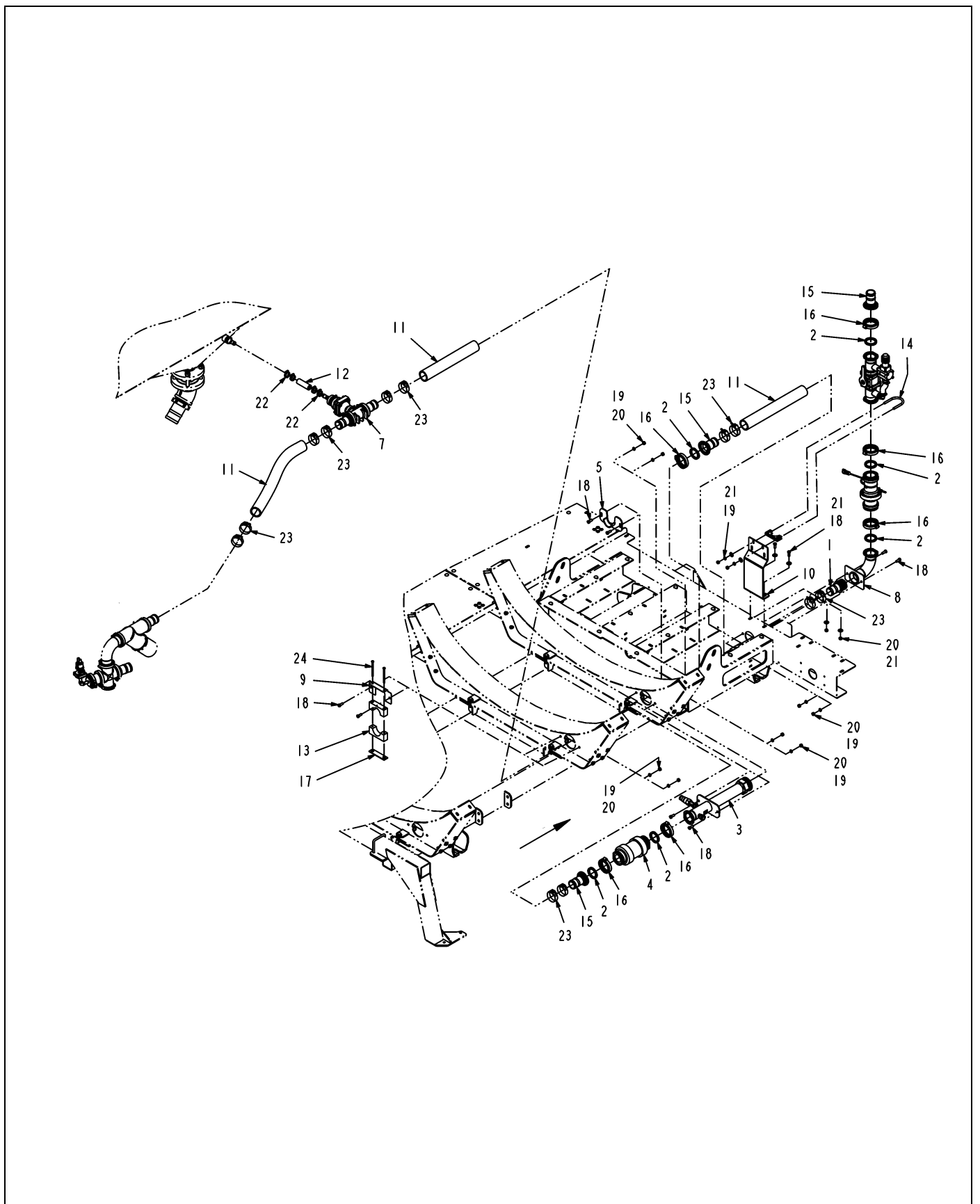
ITEM	PART #	QTY	DESCRIPTION	COMMENTS
7	AG725602	AR	CARTRIDGE-SOLENOID VALVE	
14	AG715570	AR	CHECK VALVE	
16	AG715571	AR	CHECK VALVE	
17	AG717712	AR	VALVE- CHECK	
18	AG121927	AR	VALVE-RELEASE,MANUAL,#8	
19	517308D1	1	VLV-PRESS RED,PLT OPT,1500/250	
28	AG059018	1	SEAL KIT	
30	AG716811	-	KIT-ORING,ND VALVE(609465)	
31	AG121382	-	KIT-SEAL,MANUAL,SPRING RETURN	



519331D1-01-R284-.TIF

WHEEL INSTL-AUTOBM,80/90/100

ITEM	PART #	QTY	DESCRIPTION	COMMENTS
1	516969D1	1	WHEEL/AXLE ASM-CUSH,AUTOBM,LH	SEE PAGE 11-34
2	516970D1	1	WHEEL/AXLE ASM-CUSH,AUTOBM,RH	SEE PAGE 11-36
3	519340D1	2	ARM ASM-MTG,WHL,CUSH,120	SEE PAGE 11-75

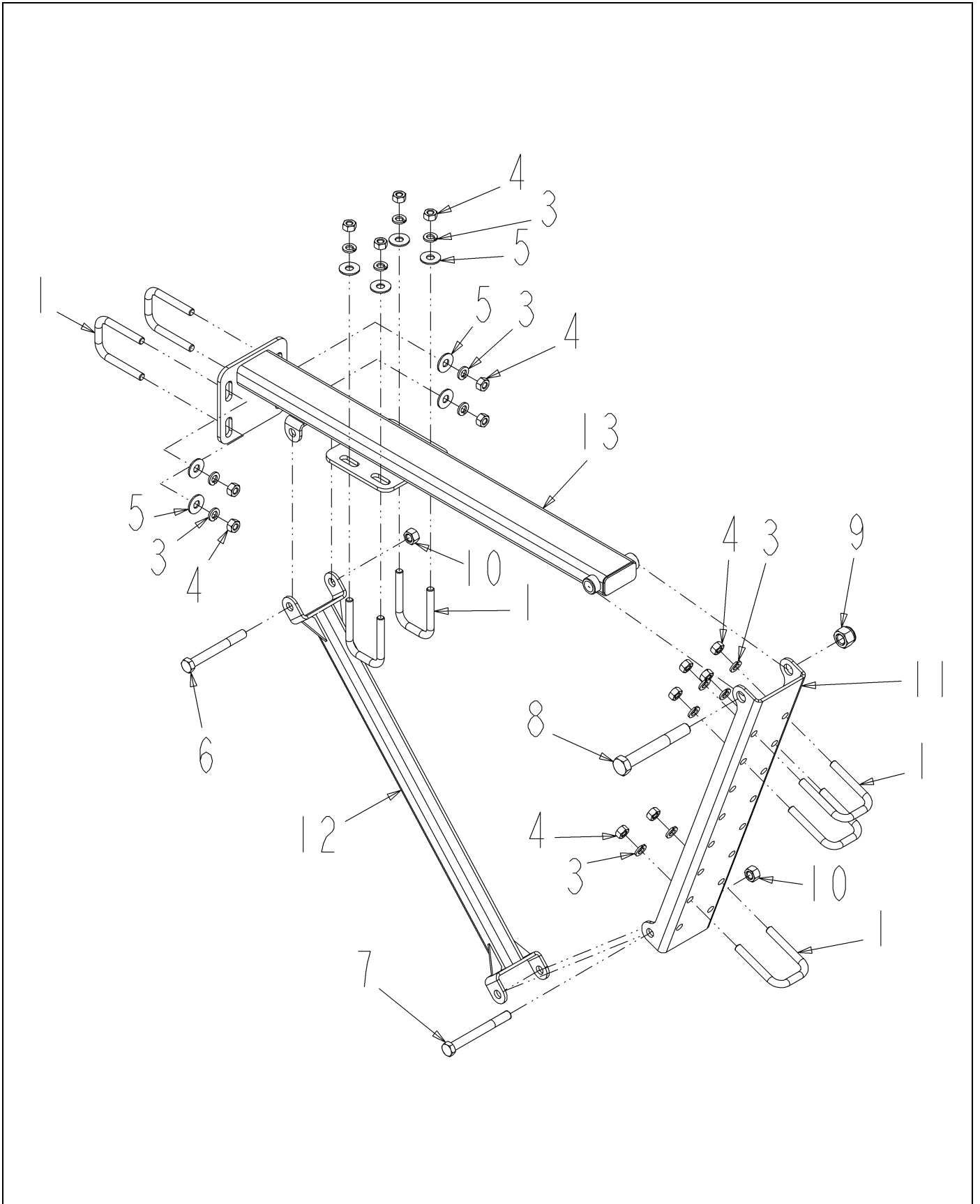


135908-01-M399-.TIF

PLMB INSTL-PRESS,W/CHEM INJ

ITEM	PART #	QTY	DESCRIPTION	COMMENTS
1	AG000767	1	BARB-HOSE,2.00MNPTX2.00BARB,PP	
2	AG000773	6	GASKET 2.00 EPDM	
3	AG123592	1	NOZZLE ASM-INJ,2 LOOP,2.00 NPT	SEE PAGE 4-89
4	AG123996	1	VALVE ASM-CHECK,2.00 FP FLG	SEE PAGE 2-26
5	AG123999	1	SUPPORT WLDMT-2.00 MXR/INJ	
6	AG129187	-	PIPE SEALANT-FLEX BLACK	
7	AG134343	1	TEE ASM-MANG,220X100,RLF VALVE	SEE PAGE 2-25
8	AG327785	1	MANIFOLD WLDMT-REAR,PRESS PLMB	
9	AG327850	1	BRKT-CLAMP,HOSE,PRESSURE	
10	AG327928	1	BRKT-FLOWMETER	
11	AG511722	-	HOSE-2.00,WIRE BRAID,EPDM [BULK: 5.042 FT]	
12	AG513385	-	HOSE,MED.PRESS 0.75 2BRD EPDM [BULK: 0.292 FT]	
13	AG518340	1	CLAMP 2.50 BLACK POLY (RTG)	
14	AG522044	1	CLAMP-MUFFLER,2.50,SS	
15	AG522894	3	CONN-2.00 FLG X2.00 HOSE BARB	
16	AG522895	6	CLAMP-WORM SCREW,2.00,SS	
17	AG523940	1	PLATE-WELD,SINGLE,GROUP 7	
18	AG550175	10	BOLT 0.37-16NCX 1.00 G5 ZN HHD	
19	AG550191	10	WASHER 0.37 LK ZN REG	
20	AG550825	10	NUT 0.37-16NC HEX ZN REG	
21	AG551007	6	WASHER 0.37 FL ZN REG TYPE-B	
22	AG561229	4	CLAMP 0.68-1.25 HOSE 12HS	
23	AG561630	12	CLAMP 2.28-2.59HOSE VOSS-250SS	
24	AG562148	2	BOLT 0.25-20NCX 4.00 G5 ZN HHD	

ARM ASM-WHEEL,AUTOBOOM,120

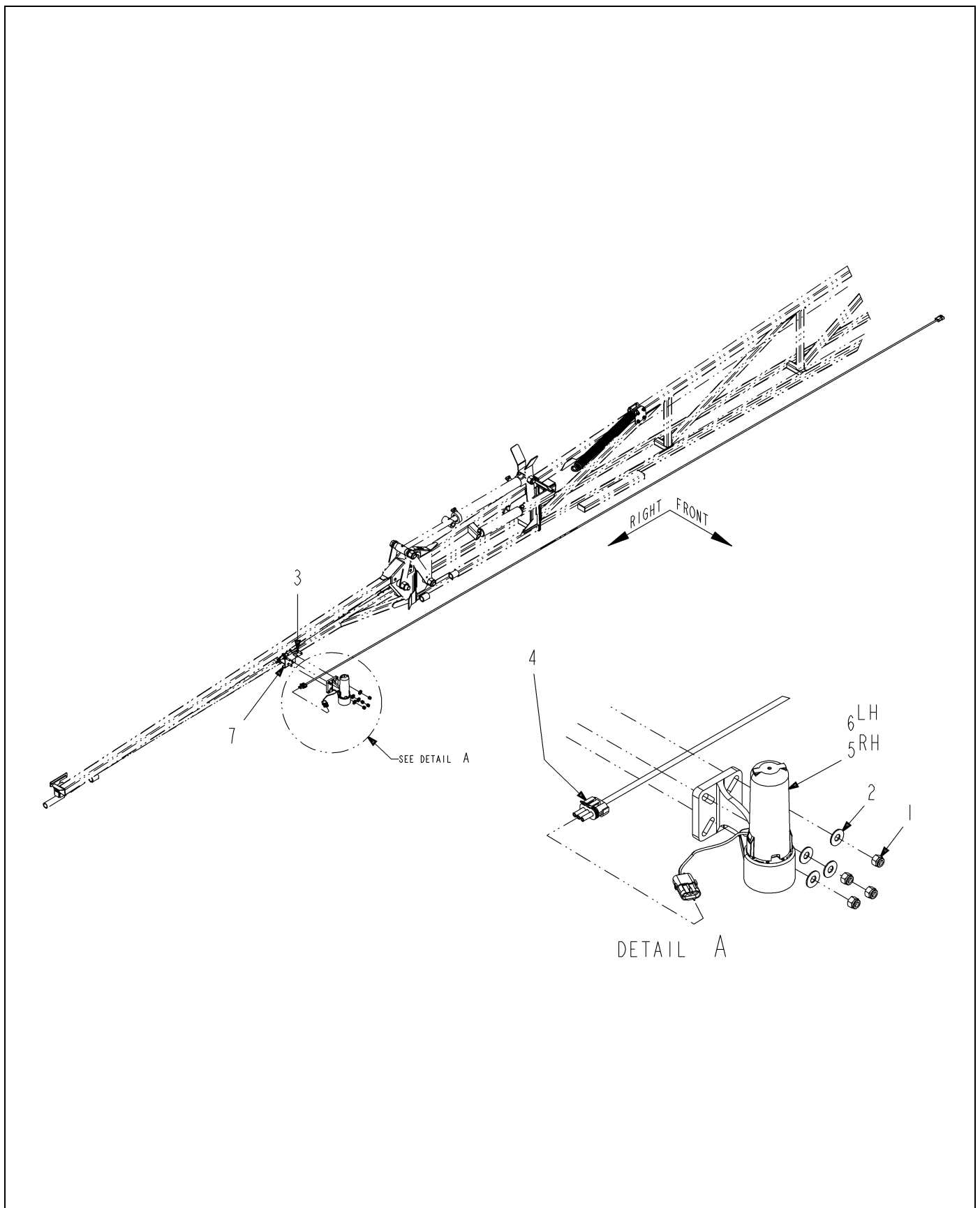


506911D1-01-M930.TIF

ARM ASM-WHEEL,AUTOBOOM,120

ITEM	PART #	QTY	DESCRIPTION	COMMENTS
1	AG209384	7	BOLT-U .31-18X1.56X 2.46SQG5ZN	
2	AG511099	AR	GREASE-MULTI PURPOSE LITH.	
3	AG550205	14	WASHER 0.31 LK ZN REG	
4	AG550213	14	NUT 0.31-18NC HEX ZN REG	
5	AG551015	8	WASHER 0.31 FL ZN REG TYPE-B	
6	AG551058	1	BOLT 0.37-16NCX 3.25 G5 ZN HHD	
7	AG557471	1	BOLT 0.37-16NCX 3.50 G5 ZN HHD	
8	AG561592	1	BOLT 0.50-13NCX 3.75 G5 ZN HHD	
9	AG601152	1	NUT 0.50-13NC HEX ZN REG NY	
10	AG601411	2	NUT 0.37-16NC HEX ZN REG NY	
11	506913D1	1	BRKT-MTG,FORK,WHEEL,AUTOBOOM	
12	506925D1	1	BRACE WLDMT-MTG,WHEEL,AUTOBOOM	
13	506929D1	1	ARM WLDMT-MTG,WHL,AUTOBOOM,120	

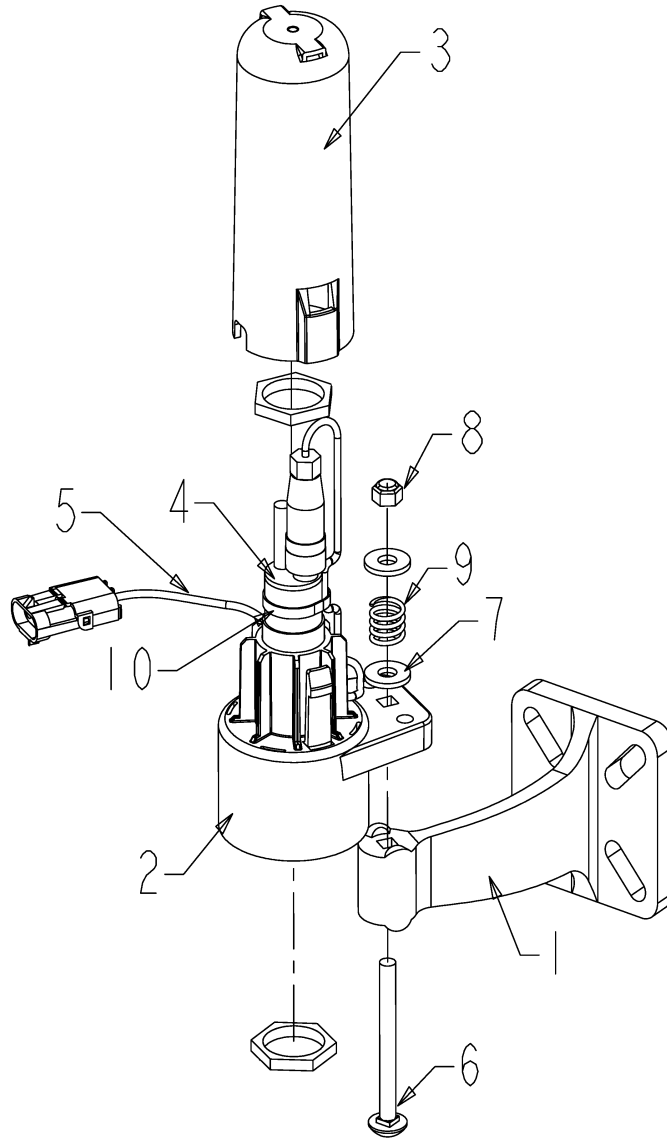
SENSOR INSTL-AUTOBOOM,80FT



508035D1-02-R310-.TIF

SENSOR INSTL-AUTOBOOM,80FT

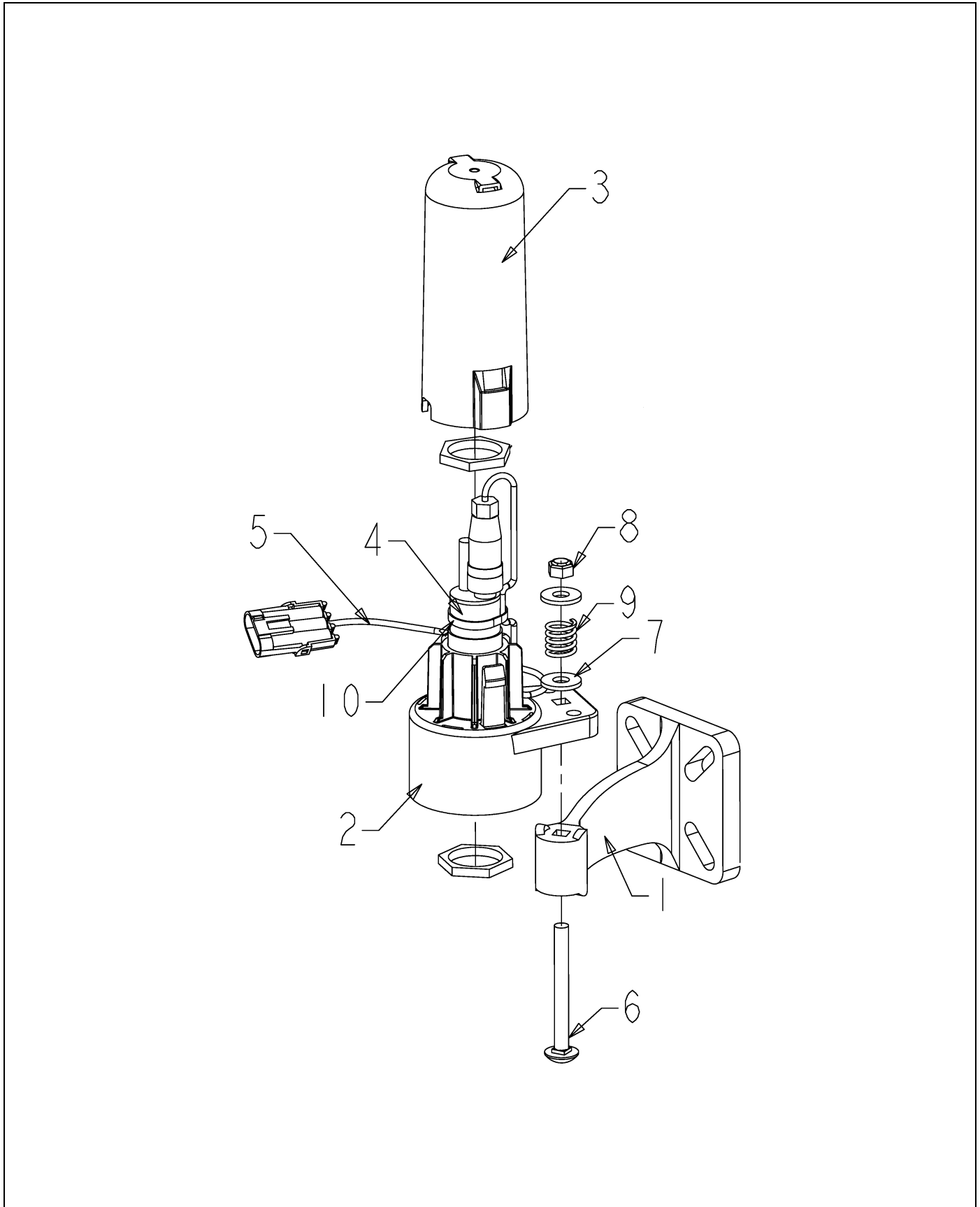
ITEM	PART #	QTY	DESCRIPTION	COMMENTS
1	AG515140	8	NUT 0.37-16NC HEX SS HVY NY	
2	AG562073	8	WASHER 0.37 FL SS REG TYPE-B	
3	AG604167	8	BOLT 0.37-16NCX 1.25 S.S. HHD	
4	509027D1	2	HARN-EXT,SNSR,ULTRASONIC,552	
5	516990D1	1	SNSR-ULTRASONIC,AUTOBM,RH MTG	SEE PAGE 11-54
6	516991D1	1	SNSR-ULTRASONIC,AUTOBM,LH MTG	SEE PAGE 11-55
7	519270D1	2	BRKT ASM-MTG,80,SNSR,AUTOBM	SEE PAGE 11-56



516990D1-01-R059-02.tif

SNSR-ULTRASONIC,AUTOBM,RH MTG

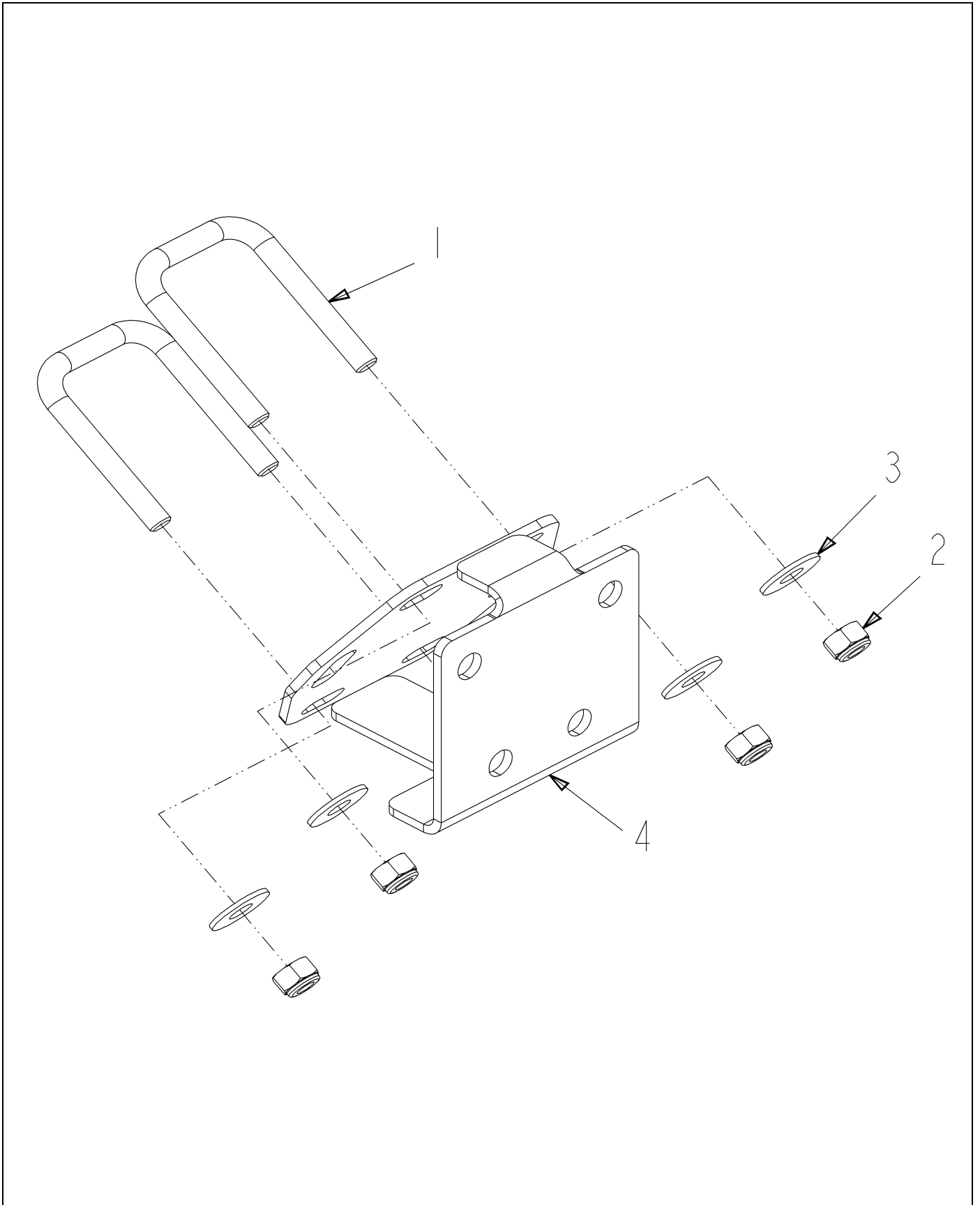
ITEM	PART #	QTY	DESCRIPTION	COMMENTS
REF	516992D1	1	LIST-PARTS,MTG,SNSR,ULTRASONIC	
1	AG332176	1	ARM/ULTRASONIC-SENSOR	
2	AG332175	1	LOWER/HOUSING-ULTRASONICSENSOR	
3	AG332174	1	COVER/ULTRASONIC-SENSOR	
4	AG332173	1	SENSOR/ULTRASONIC	
5	AG332172	1	CABLE/ULTRASONICSENSOR/ATOBOOM	
6	AG332171	1	BOLT/CARRIAGE	
7	AG332170	2	WASHER/STEEL/FLAT	
8	AG716444	1	CONTROL SCS450W/GPS W/O SPD SN	
9	AG332169	1	SPRING/COMPRESSION	
10	AG332168	1	TIE/CABLE/LOCKING/NYLON/BLACK	
11	AG332167	1	ENVELOPE/PLASTIC	



516991D1-01-R059-02.tif

SNSR-ULTRASONIC,AUTOBM,LH MTG

ITEM	PART #	QTY	DESCRIPTION	COMMENTS
REF	516992D1	1	LIST-PARTS,MTG,SNSR,ULTRASONIC	
1	AG332176	1	ARM/ULTRASONIC-SENSOR	
2	AG332175	1	LOWER/HOUSING-ULTRASONICSENSOR	
3	AG332174	1	COVER/ULTRASONIC-SENSOR	
4	AG332173	1	SENSOR/ULTRASONIC	
5	AG332172	1	CABLE/ULTRASONICSENSOR/ATOBOOM	
6	AG332171	1	BOLT/CARRIAGE	
7	AG332170	2	WASHER/STEEL/FLAT	
8	AG716744	1	INSERT-LOCKNUT NY 5/16 -18	
9	AG332169	1	SPRING/COMPRESSION	
10	AG332168	1	TIE/CABLE/LOCKING/NYLON/BLACK	
11	AG332167	1	ENVELOPE/PLASTIC	

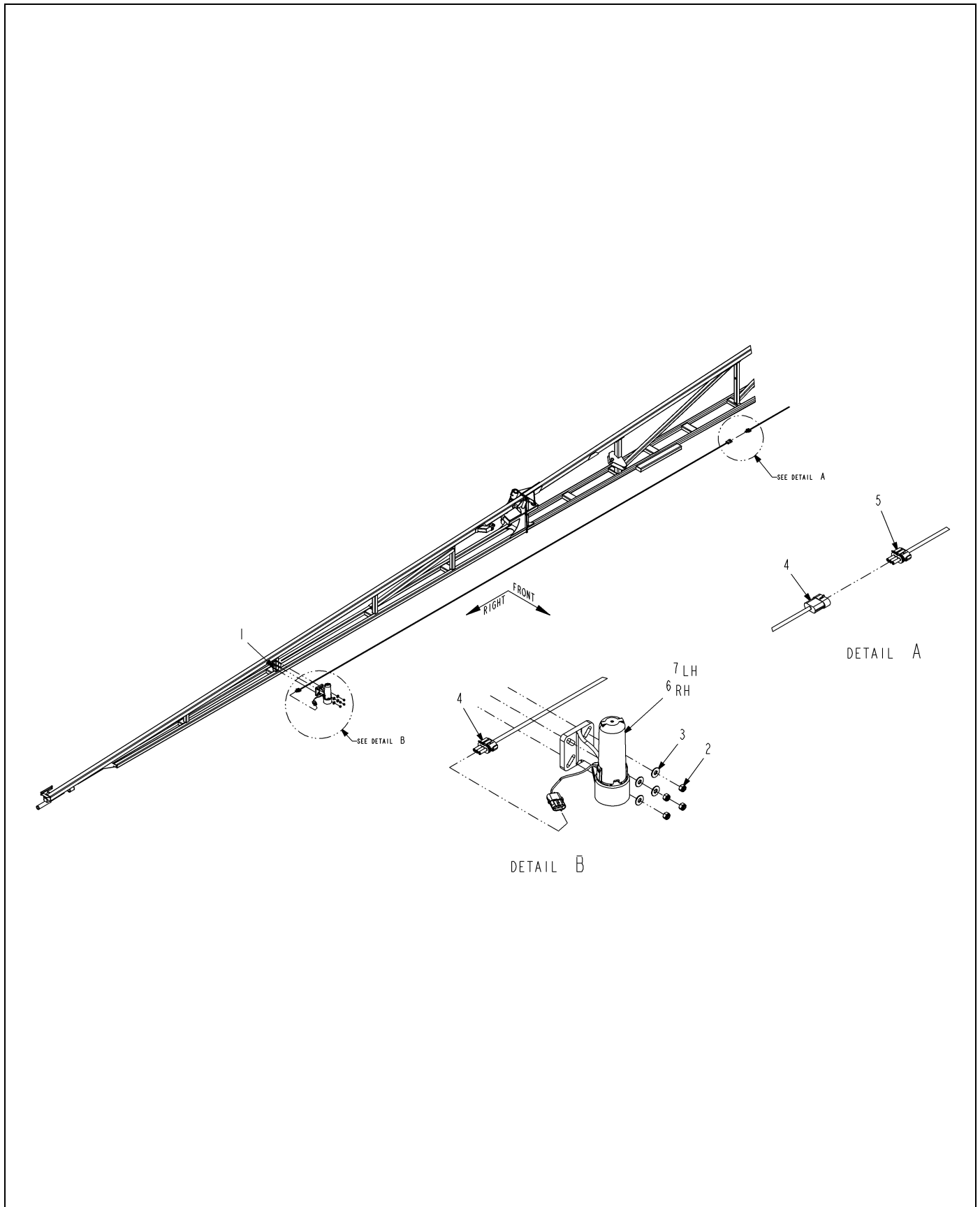


519270D1-01-R310-.TIF

BRKT ASM-MTG,80,SNSR,AUTOBM

ITEM	PART #	QTY	DESCRIPTION	COMMENTS
1	AG231204	2	BOLT-U .31-18X1.88X2.63	
2	AG516403	4	NUT 0.31-18NC HEX SS REG NY	
3	AG562074	4	WASHER 0.31 FL SS REG TYPE-B	
4	519271D1	1	BRKT WLDMT-MTG,80,SNSR,AUTOBM	

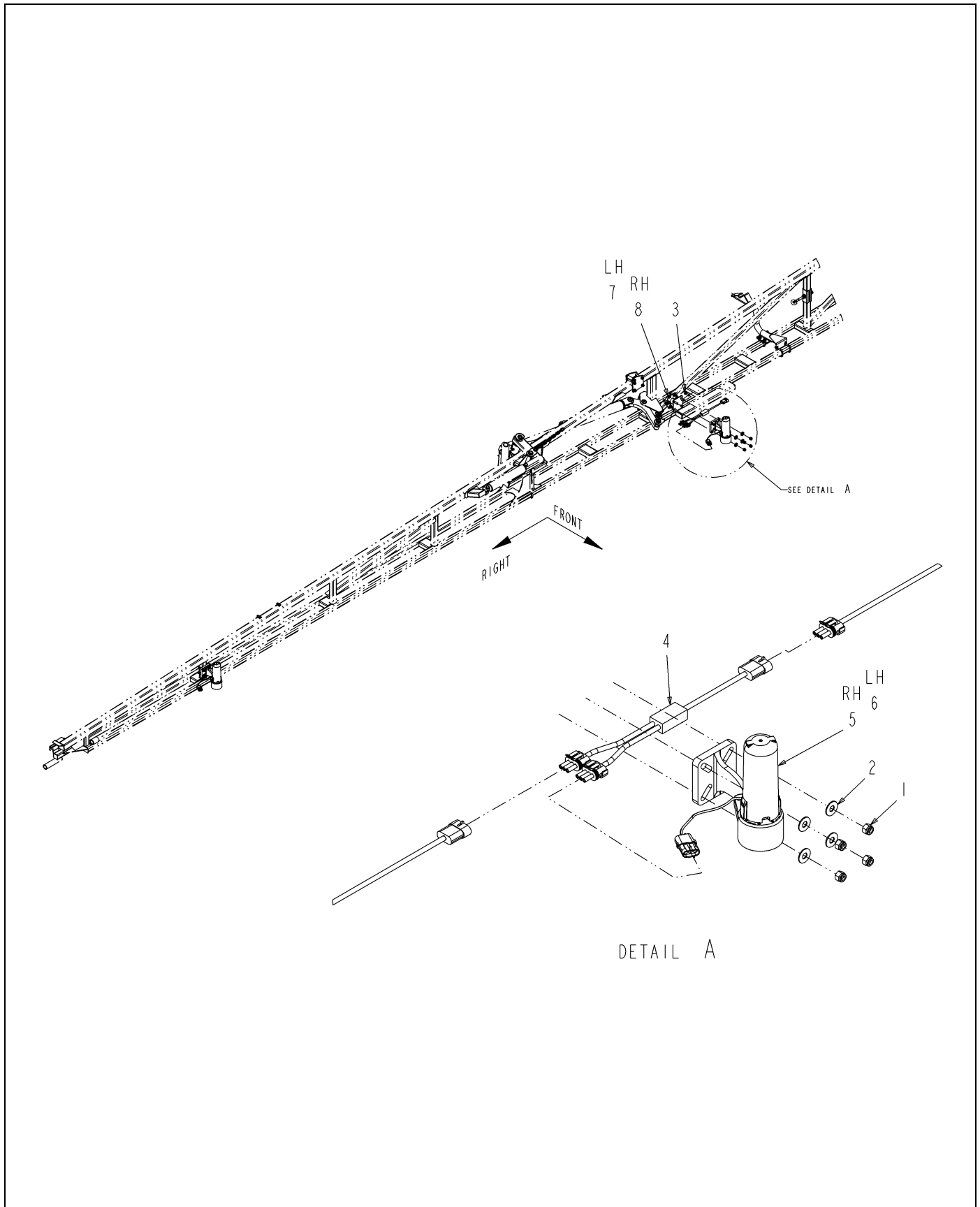
SENSOR INSTL-AUTOBOOM,90/100FT



508036D1-02-R310-.TIF

SENSOR INSTL-AUTOBOOM,90/100FT

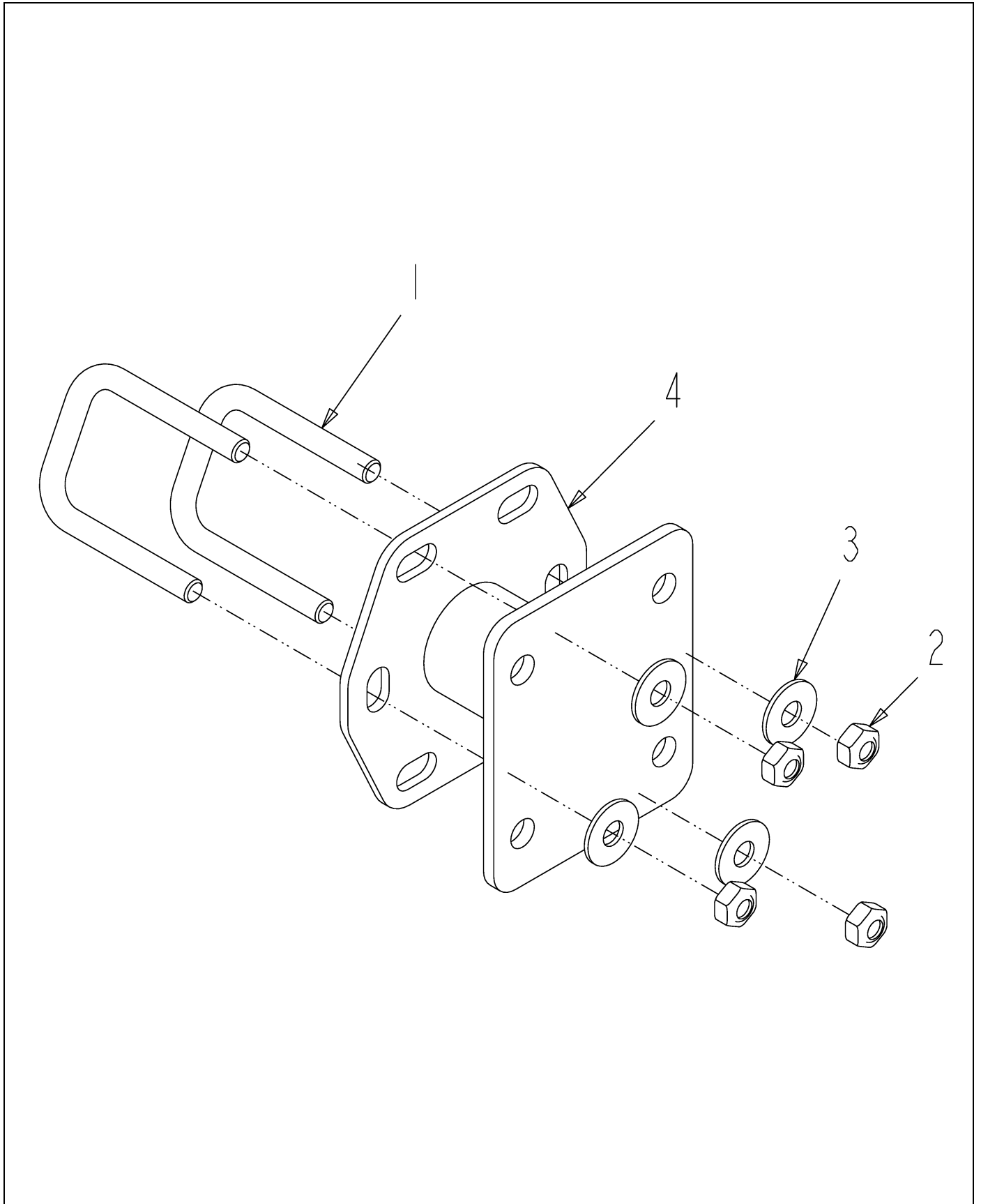
ITEM	PART #	QTY	DESCRIPTION	COMMENTS
1	AG231204	4	BOLT-U .31-18X1.88X2.63	
2	AG516403	8	NUT 0.31-18NC HEX SS REG NY	
3	AG562074	8	WASHER 0.31 FL SS REG TYPE-B	
4	508293D1	2	HARN-EXT,SNSR,ULTRASONIC,210	
5	508294D1	2	HARN-EXT,SNSR,ULTRASONIC,410	
6	516990D1	1	SNSR-ULTRASONIC,AUTOBM,RH MTG	SEE PAGE 11-54
7	516991D1	1	SNSR-ULTRASONIC,AUTOBM,LH MTG	SEE PAGE 11-55



508037D1-02-R310-.TIF

SENSOR INSTL-ADD,AUTOBM,90/100

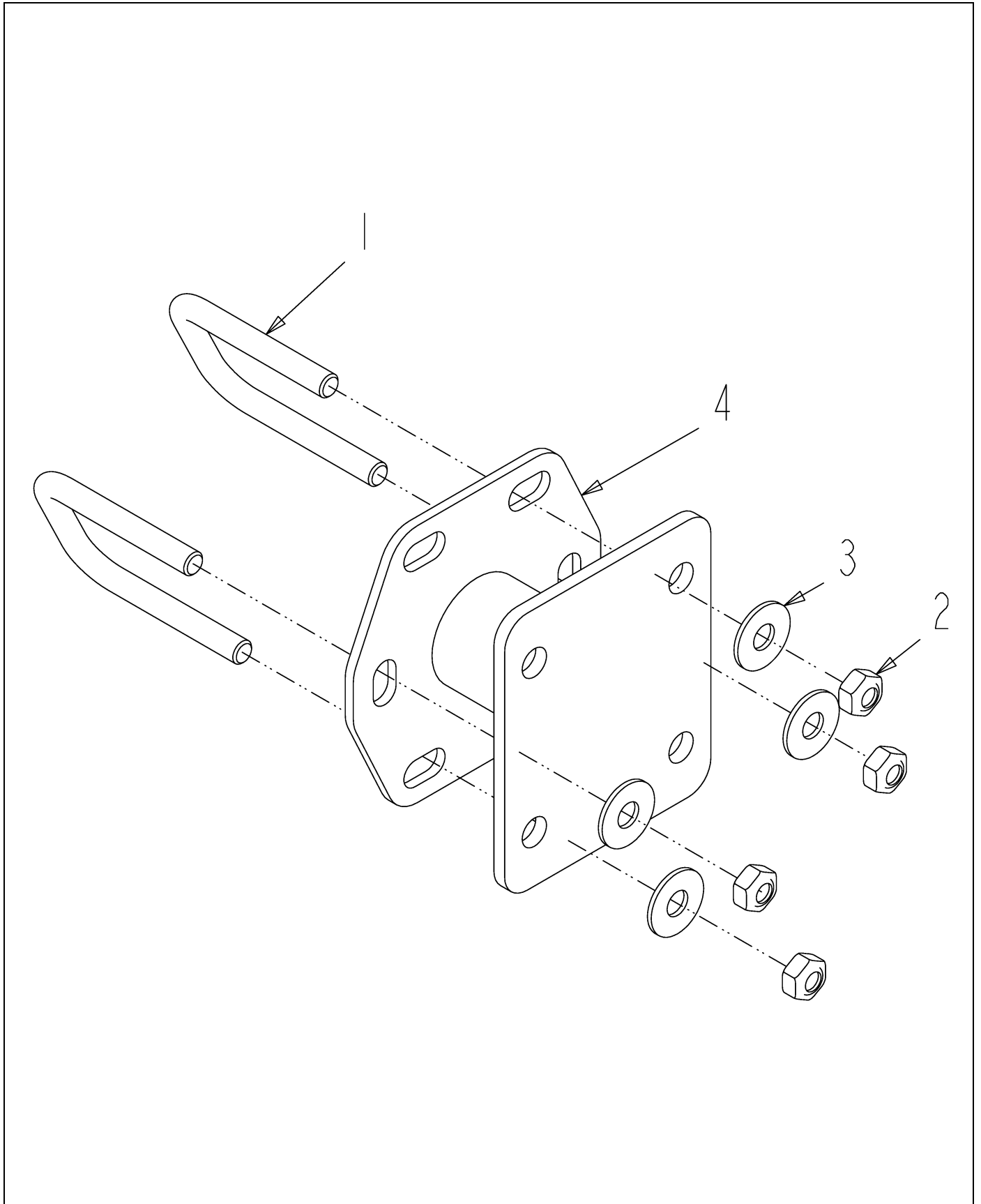
ITEM	PART #	QTY	DESCRIPTION	COMMENTS
1	AG515140	8	NUT 0.37-16NC HEX SS HVY NY	
2	AG562073	8	WASHER 0.37 FL SS REG TYPE-B	
3	AG604167	8	BOLT 0.37-16NCX 1.25 S.S. HHD	
4	506903D1	2	DUPLICATOR-ULTRASONIC,AUTOBOOM	
5	516990D1	1	SNSR-ULTRASONIC,AUTOBM,RH MTG	SEE PAGE 11-54
6	516991D1	1	SNSR-ULTRASONIC,AUTOBM,LH MTG	SEE PAGE 11-55
7	517005D1	1	BRKT ASM-MTG,ANG,SNSR,LH	SEE PAGE 11-59
8	517006D1	1	BRKT ASM-MTG,ANG,SNSR,RH	SEE PAGE 11-60



517005D1-01-R059-.TIF

BRKT ASM-MTG,ANG,SNSR,LH

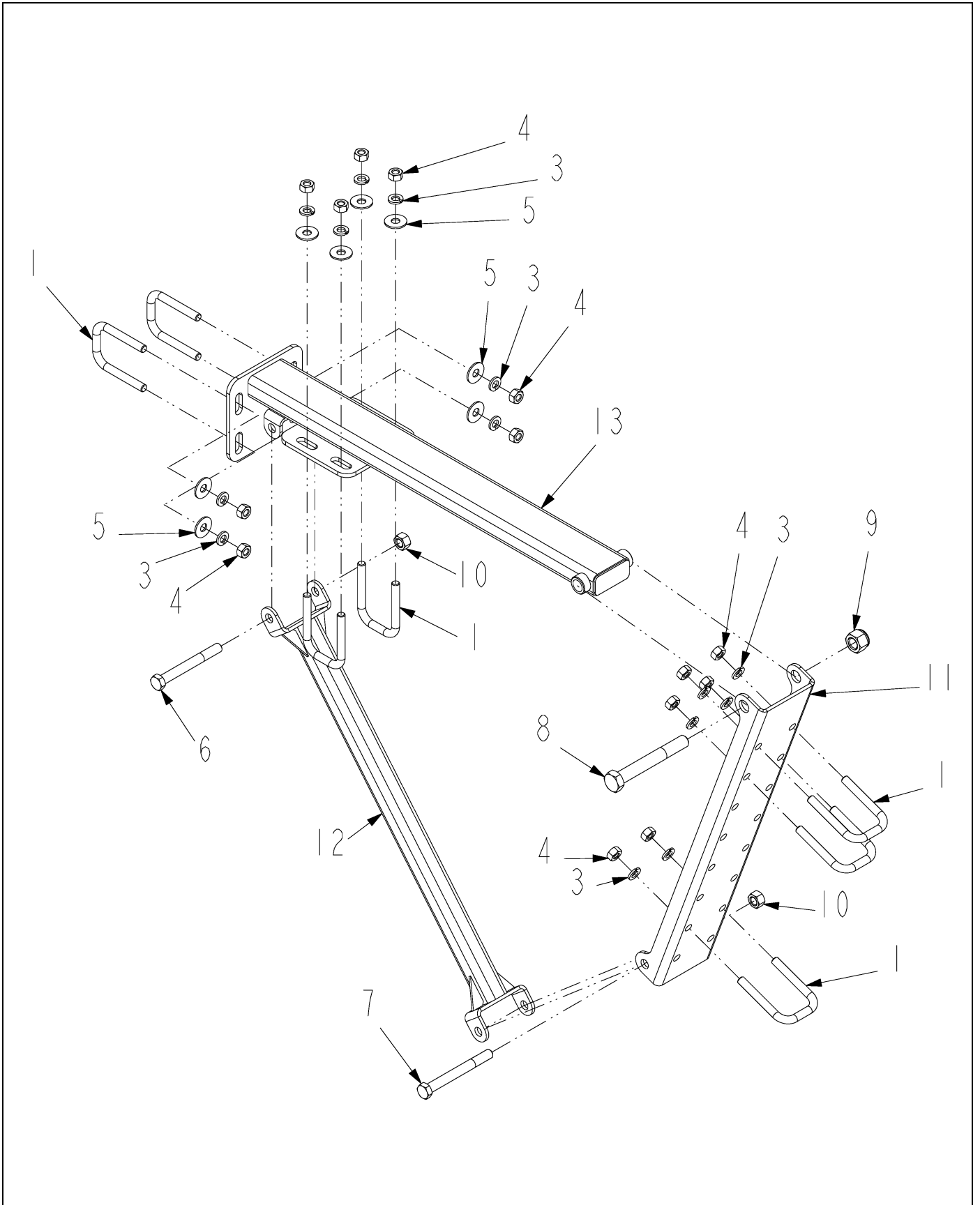
ITEM	PART #	QTY	DESCRIPTION	COMMENTS
1	AG231204	2	BOLT-U .31-18X1.88X2.63	
2	AG516403	4	NUT 0.31-18NC HEX SS REG NY	
3	AG562074	4	WASHER 0.31 FL SS REG TYPE-B	
4	517007D1	1	BRKT WLDMT-MTG,SNSR,AUTOBOOM	



517006D1-01-R059-.TIF

BRKT ASM-MTG,ANG,SNSR,RH

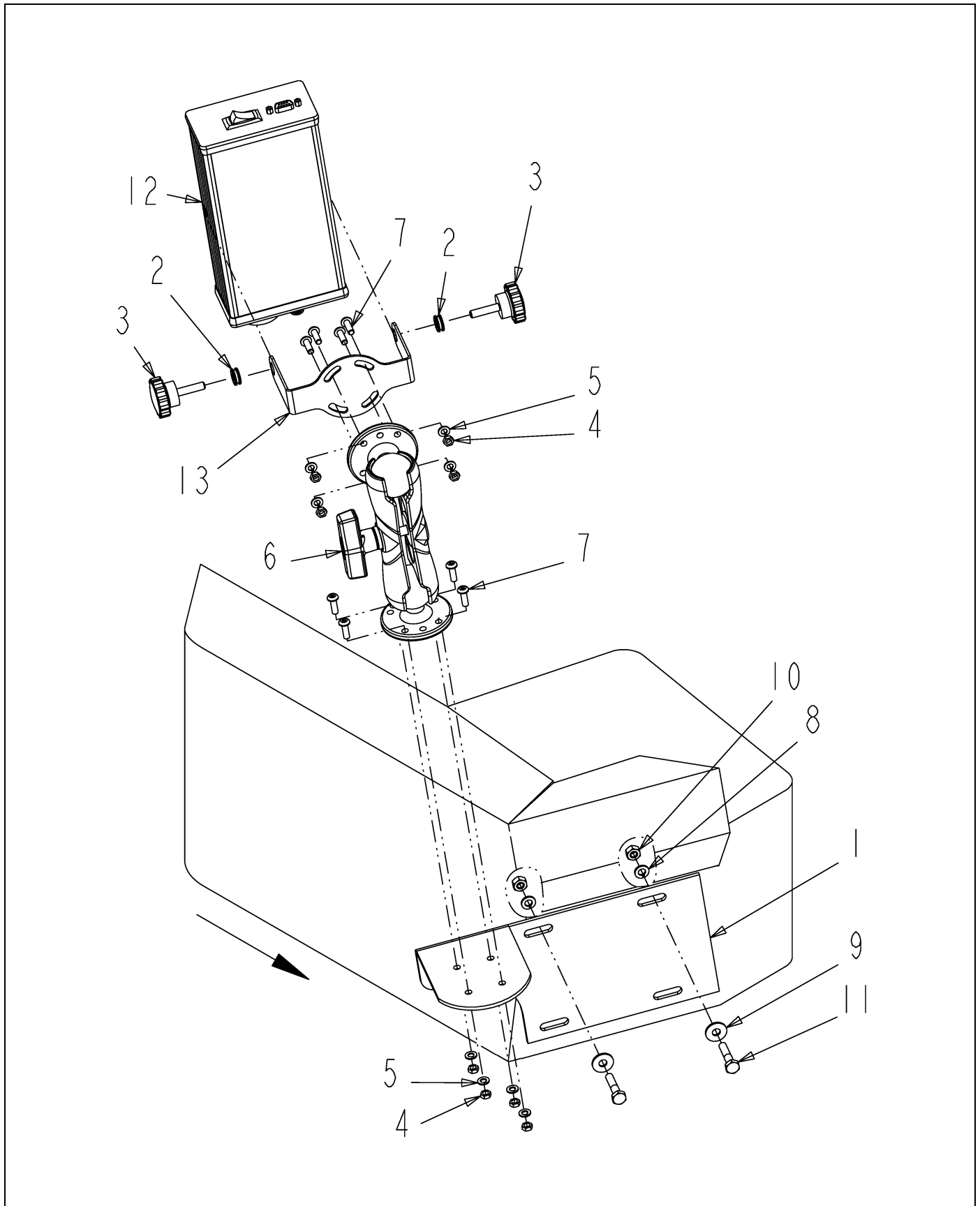
ITEM	PART #	QTY	DESCRIPTION	COMMENTS
1	AG231204	2	BOLT-U .31-18X1.88X2.63	
2	AG516403	4	NUT 0.31-18NC HEX SS REG NY	
3	AG562074	4	WASHER 0.31 FL SS REG TYPE-B	
4	517007D1	1	BRKT WLDMT-MTG,SNSR,AUTOBOOM	



508278D1-01-N056-.TIF

ARM ASM-WHEEL,AUTOBM,80/90/100

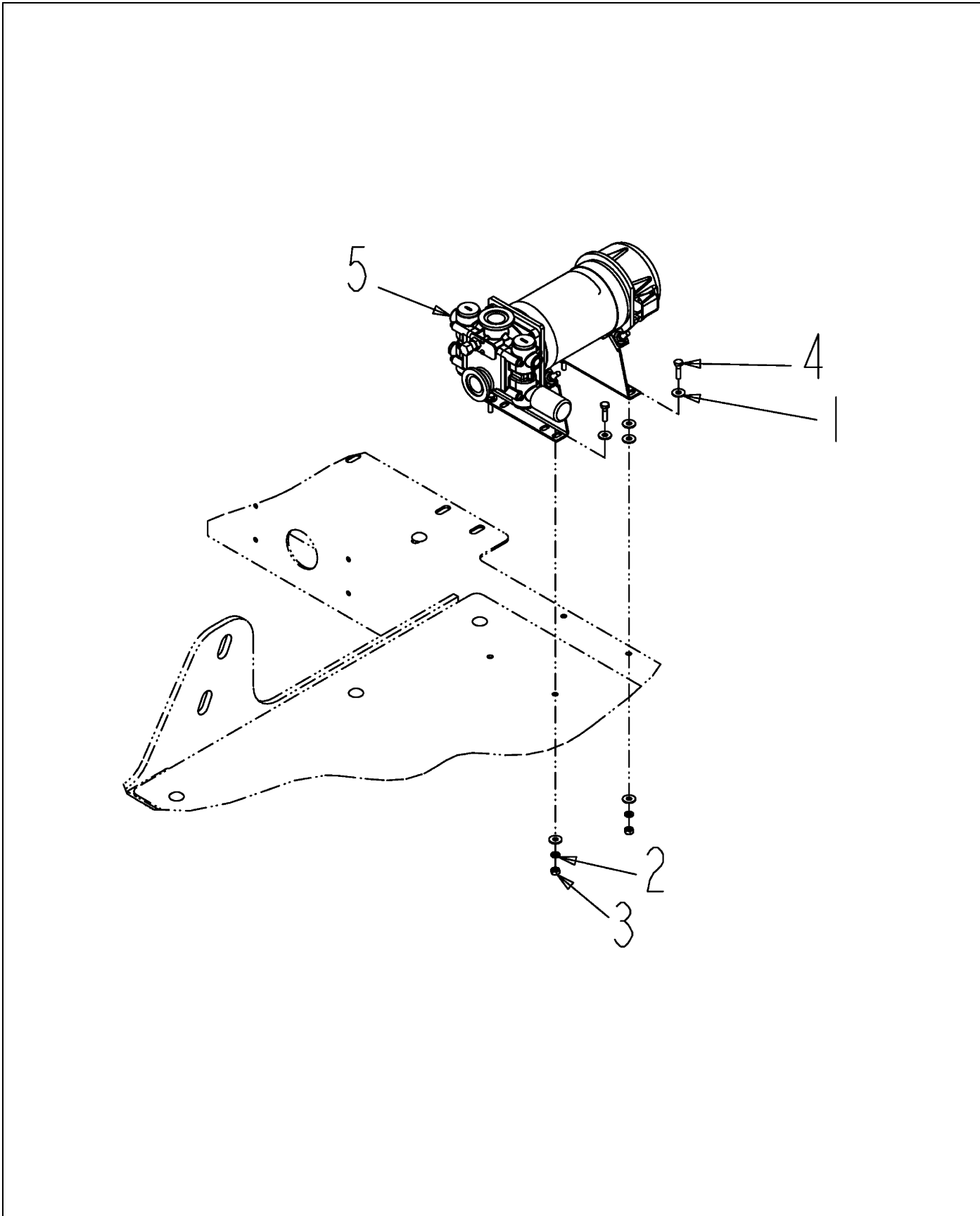
ITEM	PART #	QTY	DESCRIPTION	COMMENTS
1	AG209384	7	BOLT-U .31-18X1.56X 2.46SQG5ZN	
2	AG511099	AR	GREASE-MULTI PURPOSE LITH.	
3	AG550205	14	WASHER 0.31 LK ZN REG	
4	AG550213	14	NUT 0.31-18NC HEX ZN REG	
5	AG551015	8	WASHER 0.31 FL ZN REG TYPE-B	
6	AG551058	1	BOLT 0.37-16NCX 3.25 G5 ZN HHD	
7	AG557471	1	BOLT 0.37-16NCX 3.50 G5 ZN HHD	
8	AG561592	1	BOLT 0.50-13NCX 3.75 G5 ZN HHD	
9	AG601152	1	NUT 0.50-13NC HEX ZN REG NY	
10	AG601411	2	NUT 0.37-16NC HEX ZN REG NY	
11	506913D1	1	BRKT-MTG,FORK,WHEEL,AUTOBOOM	
12	508279D1	1	BRACE WLDMT-MTG,WHL,AUTOBM	
13	508280D1	1	ARM WLDMT-MTG,WHL,AUTOBM	



506888D1-01-M930-.TIF

CONT INSTL-AUTOBOOM,G2,8/10X4

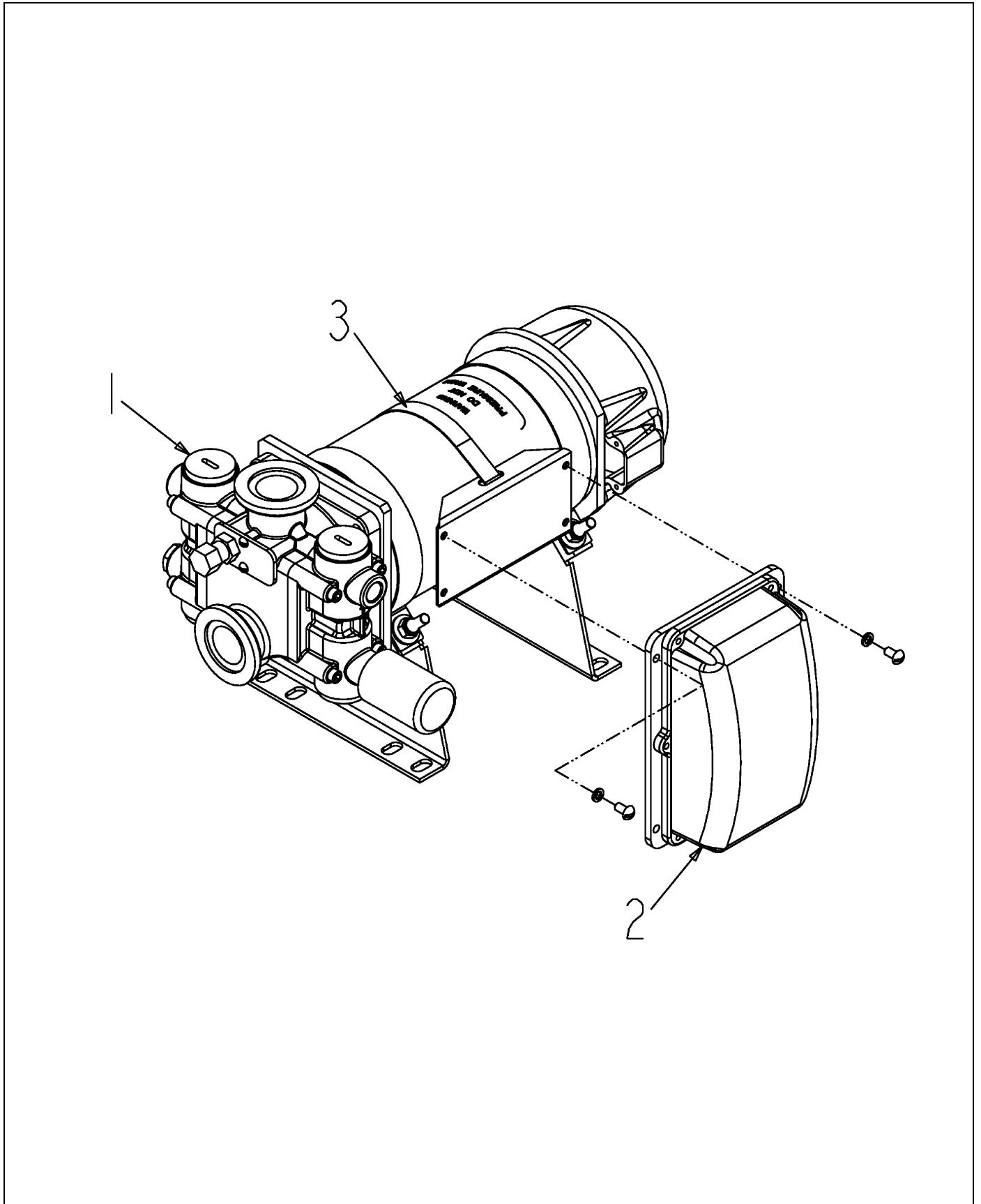
ITEM	PART #	QTY	DESCRIPTION	COMMENTS
1	AG121934	1	BRKT-MTG,KEYBOARD,FLCN II	
2	AG514342	2	GROMMET 0.25 ID .44 GROOVE DIA	
3	AG514446	2	KNOB 0.25NC ROUND BL PLASTIC	
4	AG522220	8	NUT-M5-0.8,CL10.9,ZN,H	
5	AG522247	8	WASHER-LK,M5,SS,REG	
6	AG523464	1	CLAMP ASM-MTG,BALL,7.50	
7	AG523508	8	SCR-M5-0.8X16,CL10.9,BLK,BHHS	
8	AG550493	2	WASHER 0.25 LK ZN REG	
9	AG550507	2	WASHER 0.25 FL ZN REG TYPE-B	
10	AG550612	2	NUT 0.25-20NC HEX ZN REG	
11	AG558788	2	BOLT 0.25-20NCX 1.25 G5 ZN HHD	
12	506896D1	1	CONSOLE-AUTOBOOM,G2,RVN	
13	506897D1	1	BRKT-MTG,CONSOLE,AUTOBOOM,G2	



511968D1-01-N484-.TIF

PUMP INSTL-LOOP1,RVN,RG

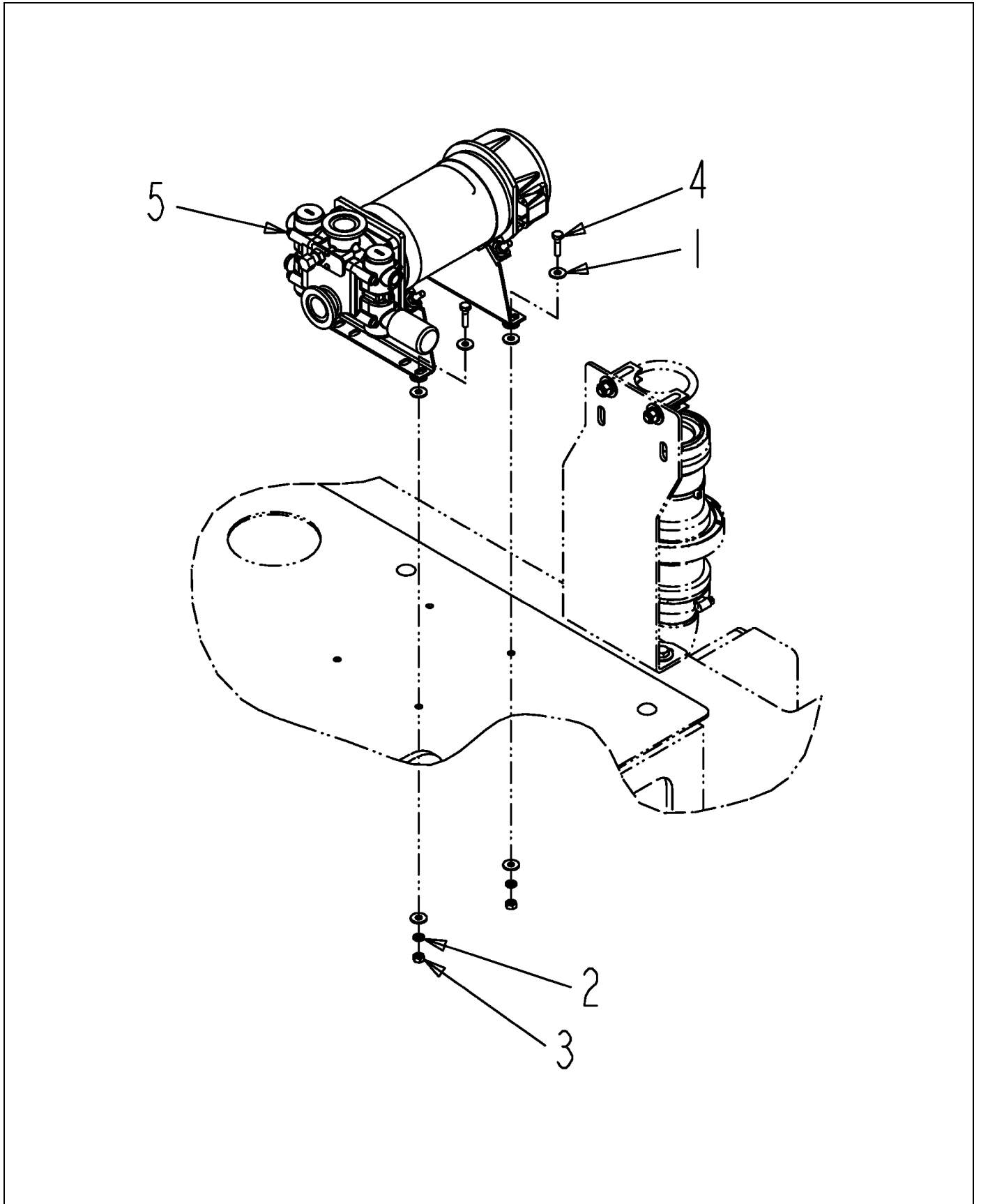
ITEM	PART #	QTY	DESCRIPTION	COMMENTS
1	AG515121	12	WASHER 0.25 FL SS REG TYPE-B	
2	AG515122	4	WASHER 0.25 LK SS REG	
3	AG515123	4	NUT 0.25-20NC HEX SS REG	
4	AG562064	4	BOLT 0.25-20NCX 1.00 SS HHD	
5	511967D1	1	PUMP ASM-INJ,RVN	SEE PAGE 11-64



511967D1-01-N484-.TIF

PUMP ASM-INJ,RVN

ITEM	PART #	QTY	DESCRIPTION	COMMENTS
1	511963D1	1	PUMP-INJ,RVN	
2	511965D1	1	NODE-PUMP DRIVE,RVN,360	
3	511966D1	1	KIT-MTG,NODE,RVN	

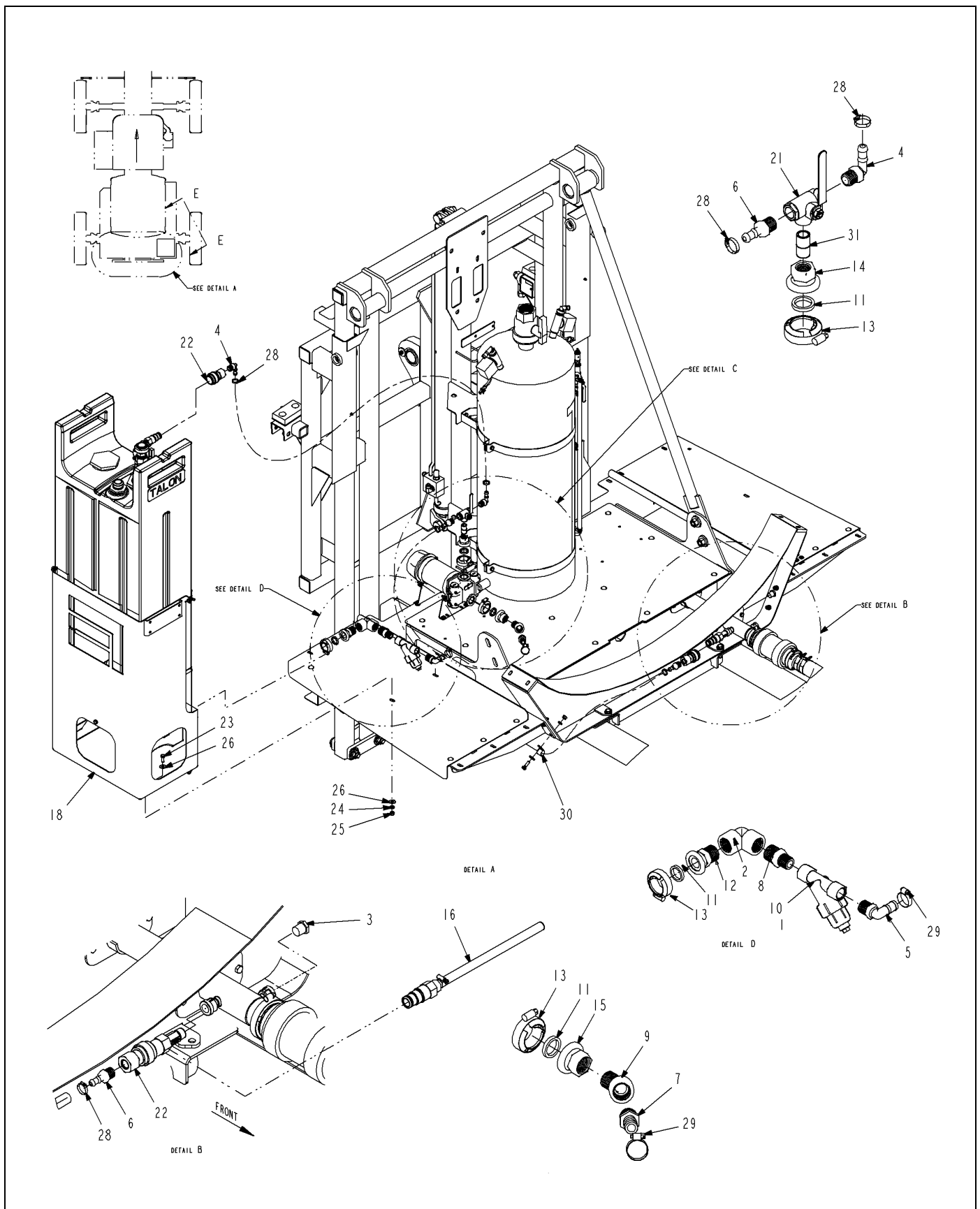


511969D1-01-N484-.TIF

PUMP INSTL-LOOP2,RVN,RG

ITEM	PART #	QTY	DESCRIPTION	COMMENTS
1	AG515121	20	WASHER 0.25 FL SS REG TYPE-B	
2	AG515122	4	WASHER 0.25 LK SS REG	
3	AG515123	4	NUT 0.25-20NC HEX SS REG	
4	AG562064	4	BOLT 0.25-20NCX 1.00 SS HHD	
5	511967D1	1	PUMP ASM-INJ,RVN	SEE PAGE 11-64

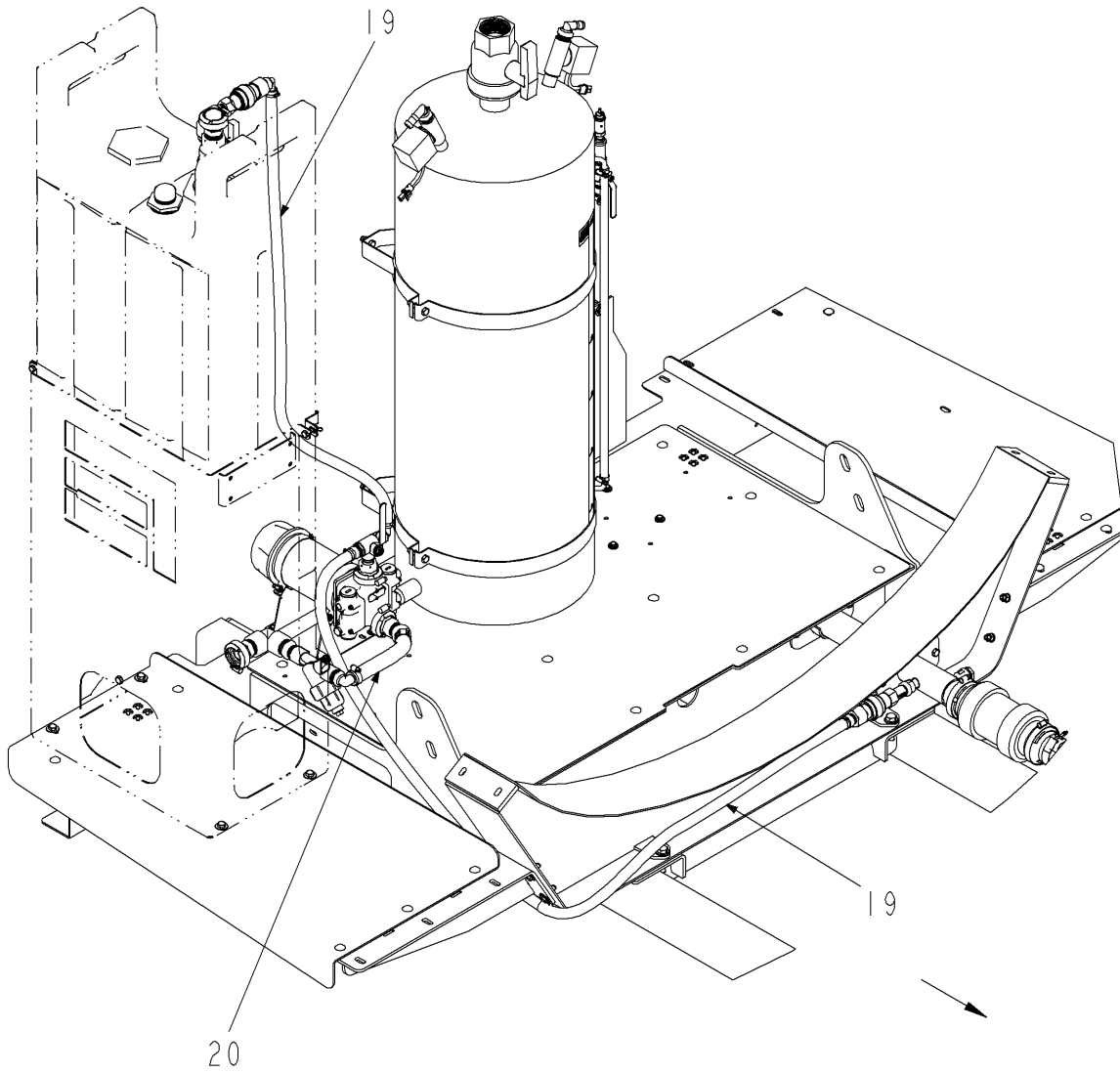
PLMB/TANK INSTL-INJ,RH,RG



511996D1-02-N890-01.TIF

PLMB/TANK INSTL-INJ,RH,RG

ITEM	PART #	QTY	DESCRIPTION	COMMENTS
1	AG002435	1	SCREEN 80 MESH 0.75	
2	AG051127	1	ELBOW-PIPE,1.00FNPT,90D,PP	
3	AG051133	1	PLUG-PIPE,HEX,0.50NPT,PP	
4	AG051139	2	ELBOW 90D 0.50NPTX0.50 BARB PP	
5	AG051142	1	ELBOW 90D 0.75NPTX0.75 BARB PP	
6	AG051176	2	BARB-HOSE,0.50MNPTX0.50BARB,PP	
7	AG051179	1	BARB-HOSE,0.75MNPTX0.75BARB,PP	
8	AG051436	1	NIPPLE POLY RED 1.00 X 0.75	
9	AG052343	1	ELBOW-PIPE,0.75STREET,45D,PP	
10	AG053070	1	STRAINER BODY ASM .75	
11	AG056275	3	GASKET 1.00 EPDM MANIFOLD	
12	AG056277	1	CONNECTOR 1.00 MANIFOLD MATHD	
13	AG056778	3	CLAMP 1.00	
14	AG059581	1	ADAPTER 1.00FLGX.50(F)NPT	
15	AG059582	1	ADAPTER 1.00FLANGEX.75FNPT	
16	AG126100	1	CALIBRATION ASM-SDKCK	SEE PAGE 4-190
18	AG502347	1	SUPPORT ASM-TANK,PLASTIC	SEE PAGE 1-35
21	AG517926	1	VALVE 3-WAY	
22	AG520346	2	COUPLER-.50 NPT,DRY BREAK	
23	AG550175	4	BOLT 0.37-16NCX 1.00 G5 ZN HHD	
24	AG550191	4	WASHER 0.37 LK ZN REG	
25	AG550825	4	NUT 0.37-16NC HEX ZN REG	
26	AG551007	8	WASHER 0.37 FL ZN REG TYPE-B	
27	AG559024	AR	TIE CABLE 15.0 .06-4.00 BLACK	
28	AG561215	4	CLAMP 0.50-0.91 HOSE 8HS	
29	AG561229	2	CLAMP 0.68-1.25 HOSE 12HS	
30	AG562237	1	CLAMP CTD 0.75IDX0.75WIDE	
31	AG711595	1	NIPPLE 0.50NPTX 1.12CLS 304SS	

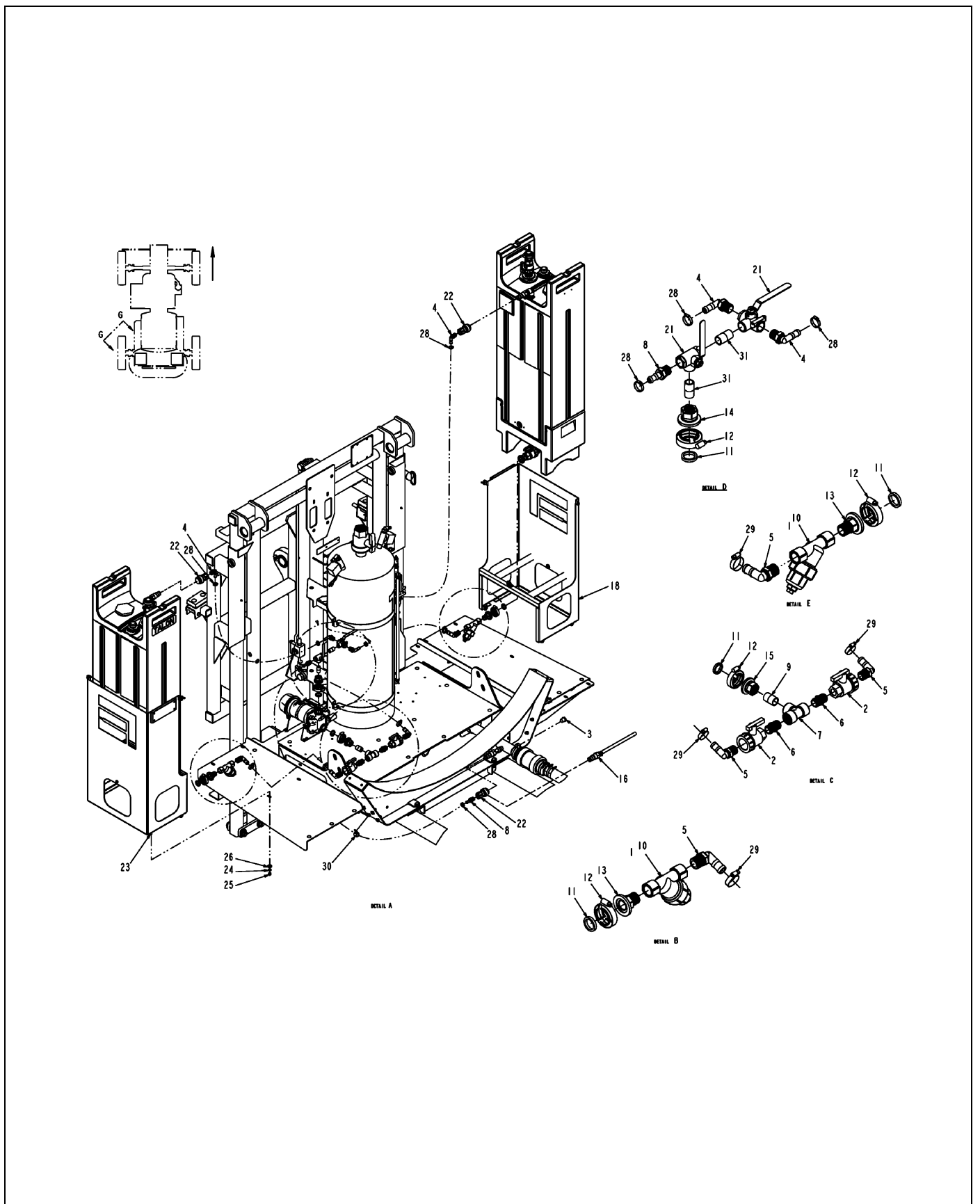


VIEW E-E

511996D1-02-N890-02.TIF

PLMB/TANK INSTL-INJ,RH,RG

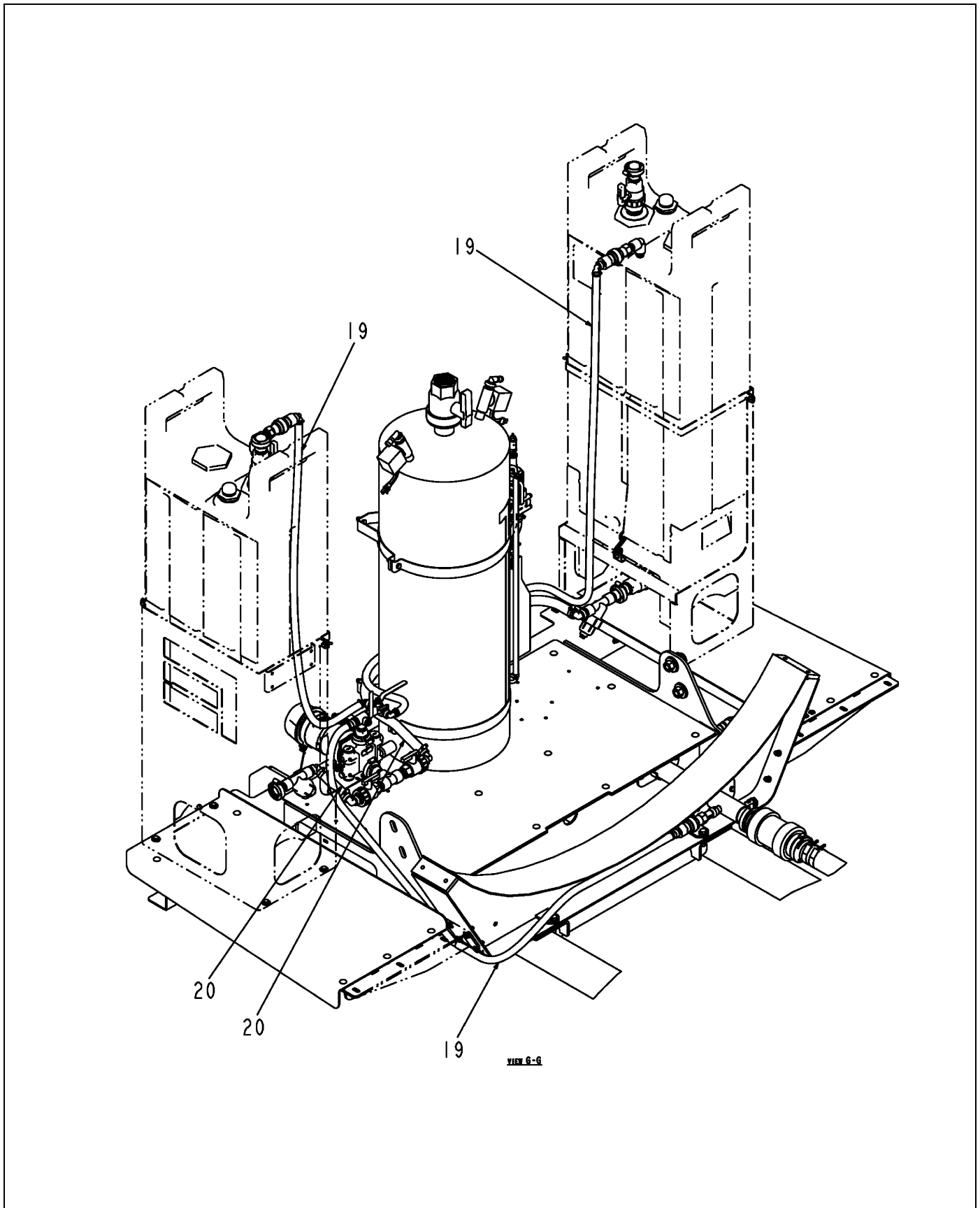
ITEM	PART #	QTY	DESCRIPTION	COMMENTS
19	AG513377	-	HOSE 0.50 2BRD EPDM [BULK: 10.250 FT]	
20	AG513385	-	HOSE,MED.PRESS 0.75 2BRD EPDM [BULK: 0.792 FT]	



511997D1-01-N484-01.TIF

PLMB/TANK INSTL-INJ,DUAL,RG

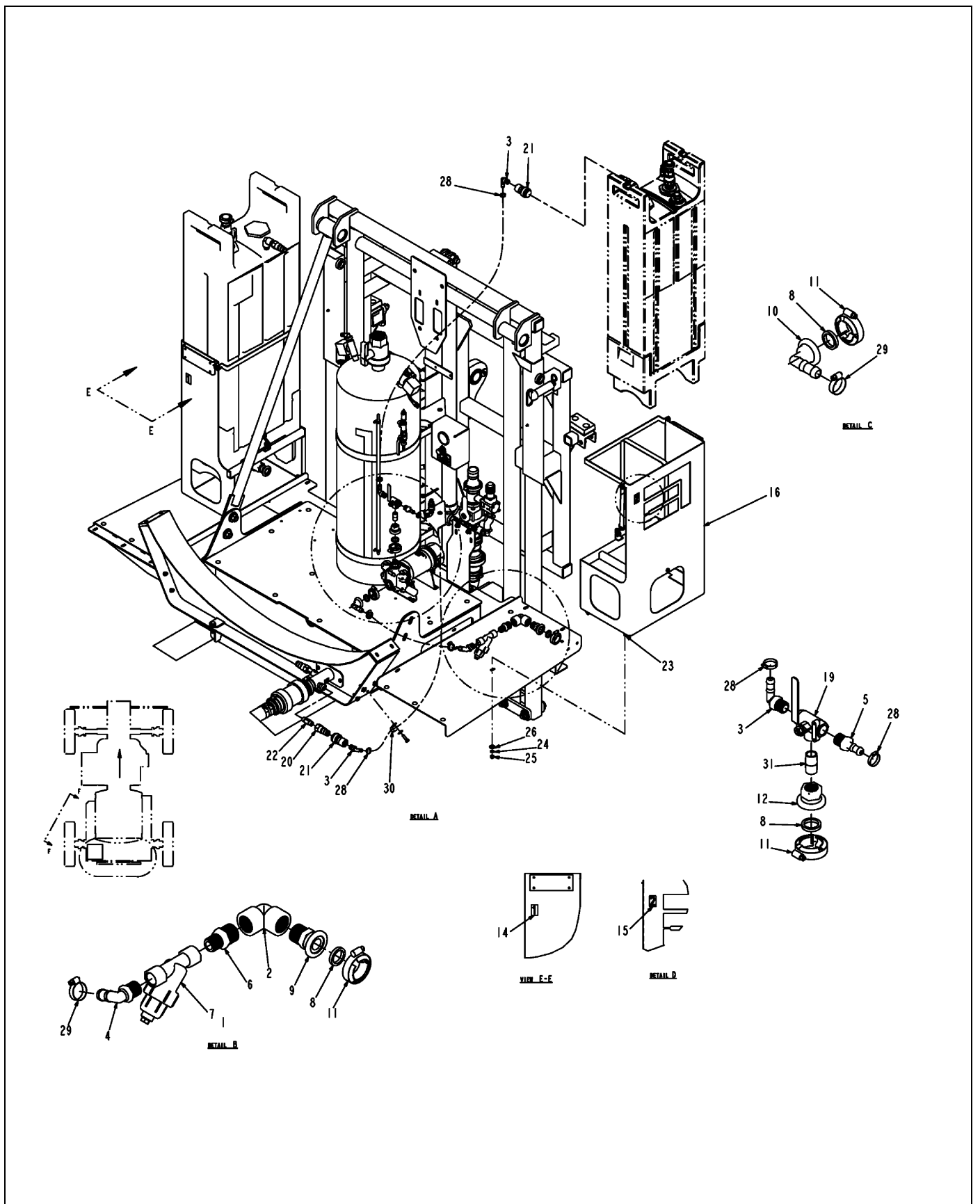
ITEM	PART #	QTY	DESCRIPTION	COMMENTS
1	AG002435	2	SCREEN 80 MESH 0.75	
2	AG050205	2	VALVE 0.75 NPT BALL UNION POLY	SEE PAGE 4-45
3	AG051133	1	PLUG-PIPE,HEX,0.50NPT,PP	
4	AG051139	4	ELBOW 90D 0.50NPTX0.50 BARB PP	
5	AG051142	4	ELBOW 90D 0.75NPTX0.75 BARB PP	
6	AG051151	2	NIPPLE-PIPE,0.75NPTXCLS,PP	
7	AG051161	1	TEE,PIPE,0.75FNPT,PP	
8	AG051176	2	BARB-HOSE,0.50MNPTX0.50BARB,PP	
9	AG051903	1	NIPPLE 0.75NPTX 1.37CLS 304SS	
10	AG053070	2	STRAINER BODY ASM .75	
11	AG056275	4	GASKET 1.00 EPDM MANIFOLD	
12	AG056778	4	CLAMP 1.00	
13	AG059566	2	ADAPTER 1.00FLANGEX.75MNPT	
14	AG059581	1	ADAPTER 1.00FLGX.50(F)NPT	
15	AG059582	1	ADAPTER 1.00FLANGEX.75FNPT	
16	AG126100	1	CALIBRATION ASM-SDKCK	SEE PAGE 4-190
17	AG129187	AR	PIPE SEALANT-FLEX BLACK	
18	AG502347	2	SUPPORT ASM-TANK,PLASTIC	SEE PAGE 1-35
21	AG517926	2	VALVE 3-WAY	
22	AG520346	3	COUPLER-.50 NPT,DRY BREAK	
23	AG550175	8	BOLT 0.37-16NCX 1.00 G5 ZN HHD	
24	AG550191	8	WASHER 0.37 LK ZN REG	
25	AG550825	8	NUT 0.37-16NC HEX ZN REG	
26	AG551007	16	WASHER 0.37 FL ZN REG TYPE-B	
27	AG559024	AR	TIE CABLE 15.0 .06-4.00 BLACK	
28	AG561215	6	CLAMP 0.50-0.91 HOSE 8HS	
29	AG561229	4	CLAMP 0.68-1.25 HOSE 12HS	
30	AG562237	1	CLAMP CTD 0.75IDX0.75WIDE	
31	AG711595	2	NIPPLE 0.50NPTX 1.12CLS 304SS	



511997D1-01-N484-02.TIF

PLMB/TANK INSTL-INJ,DUAL,RG

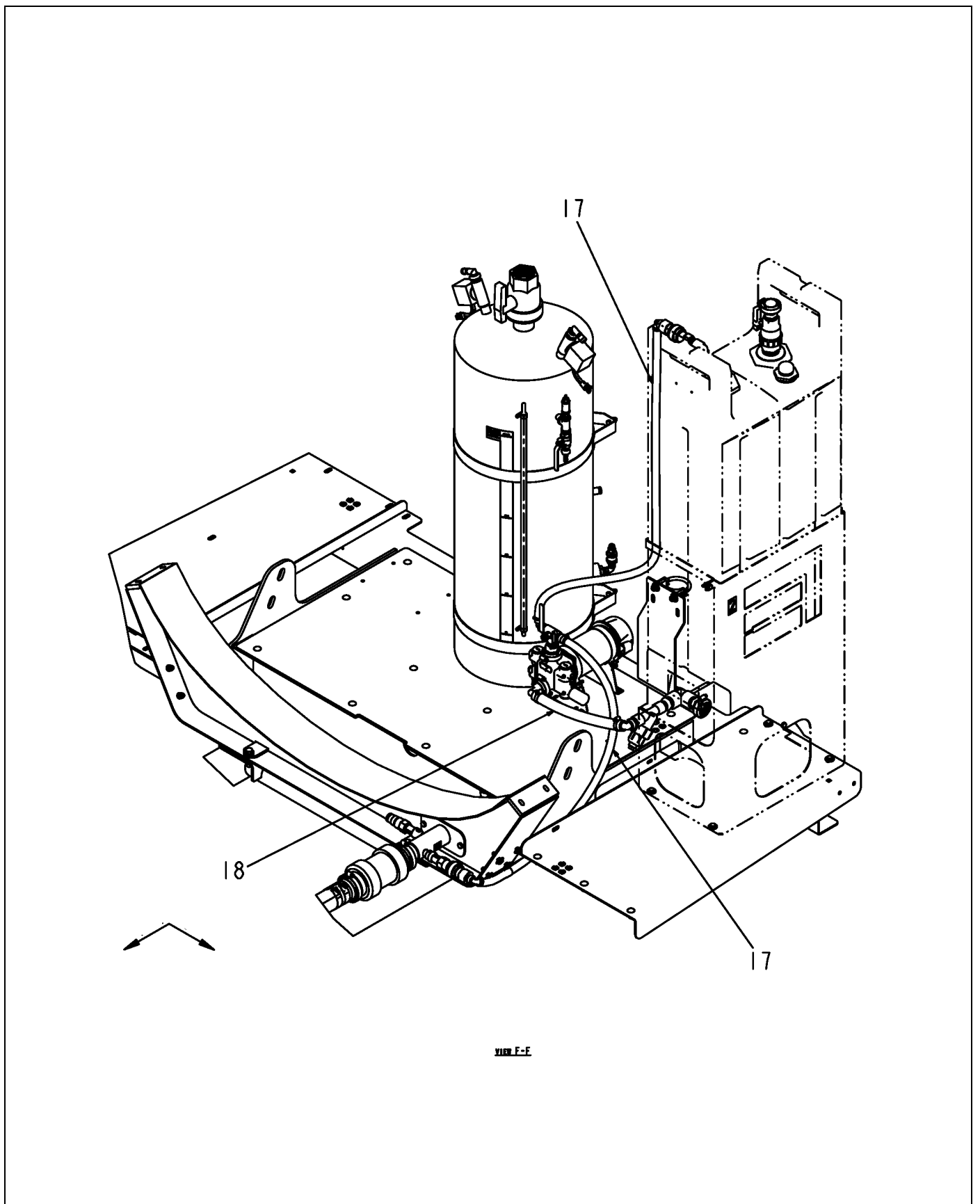
ITEM	PART #	QTY	DESCRIPTION	COMMENTS
19	AG513377	-	HOSE 0.50 2BRD EPDM [BULK: 18.667 FT]	
20	AG513385	-	HOSE,MED.PRESS 0.75 2BRD EPDM [BULK: 7.792 FT]	



511998D1-01-N484-01.TIF

PLMB/TANK INSTL-INJ,LH,RG

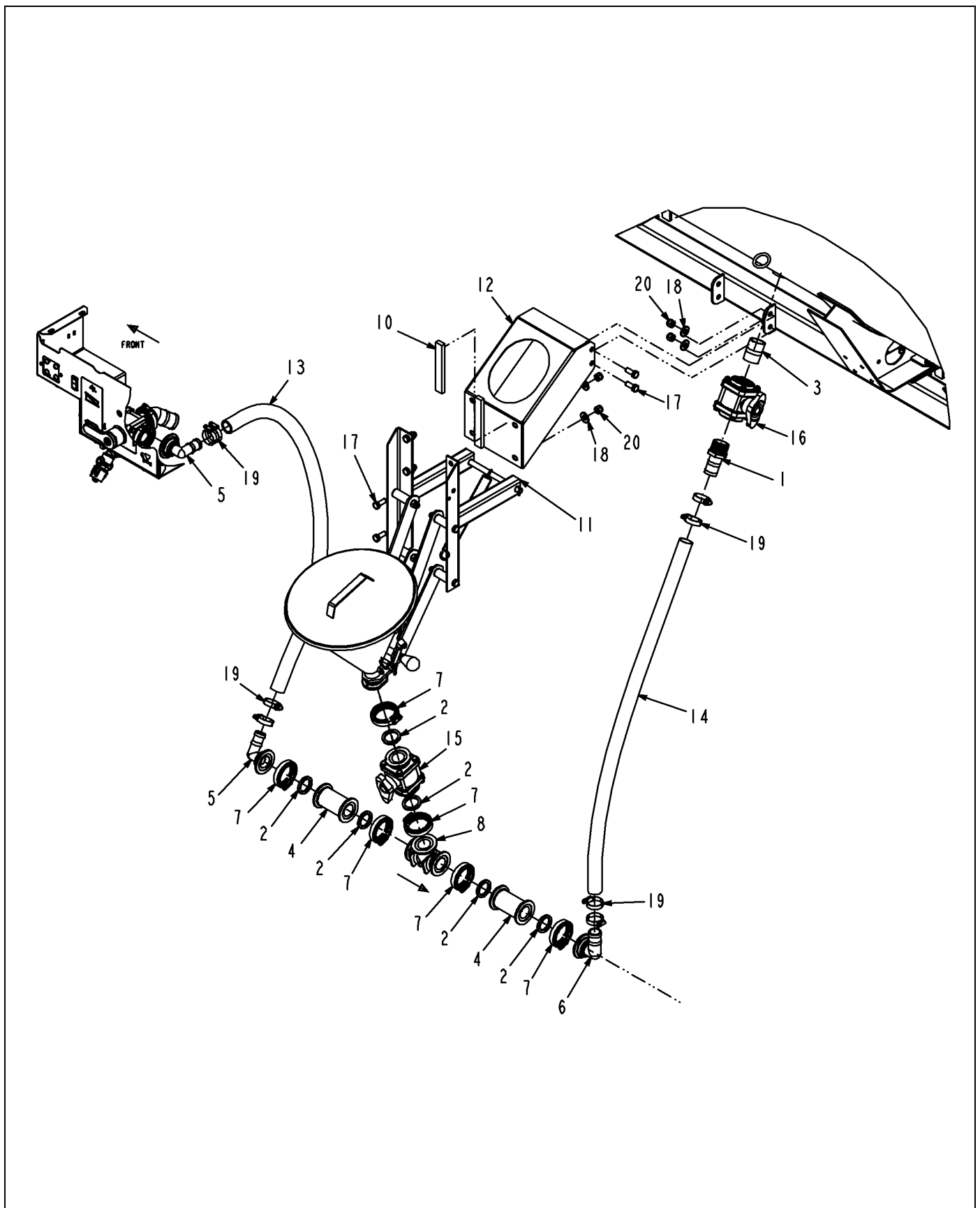
ITEM	PART #	QTY	DESCRIPTION	COMMENTS
1	AG002435	1	SCREEN 80 MESH 0.75	
2	AG051127	1	ELBOW-PIPE,1.00FNPT,90D,PP	
3	AG051139	3	ELBOW 90D 0.50NPTX0.50 BARB PP	
4	AG051142	1	ELBOW 90D 0.75NPTX0.75 BARB PP	
5	AG051176	2	BARB-HOSE,0.50MNPTX0.50BARB,PP	
6	AG051436	1	NIPPLE POLY RED 1.00 X 0.75	
7	AG053070	1	STRAINER BODY ASM .75	
8	AG056275	3	GASKET 1.00 EPDM MANIFOLD	
9	AG056277	1	CONNECTOR 1.00 MANIFOLD MATHD	
10	AG056280	1	CPLG 1.00 MANIFOLDX0.75ELBOW	
11	AG056778	3	CLAMP 1.00	
12	AG059581	1	ADAPTER 1.00FLGX.50(F)NPT	
13	AG129187	AR	PIPE SEALANT-FLEX BLACK	
14	AG212432	1	DECAL NUMBER 1	
15	AG212433	1	DECAL NUMBER 2	
16	AG502347	1	SUPPORT ASM-TANK,PLASTIC	SEE PAGE 1-35
19	AG517926	1	VALVE 3-WAY	
20	AG520345	1	NIPPLE END-.50 NPT,DRY BREAK	
21	AG520346	2	COUPLER-.50 NPT,DRY BREAK	
22	AG522513	1	VALVE-CHECK,.50NPT,SS	
23	AG550175	4	BOLT 0.37-16NCX 1.00 G5 ZN HHD	
24	AG550191	4	WASHER 0.37 LK ZN REG	
25	AG550825	4	NUT 0.37-16NC HEX ZN REG	
26	AG551007	8	WASHER 0.37 FL ZN REG TYPE-B	
27	AG559024	AR	TIE CABLE 15.0 .06-4.00 BLACK	
28	AG561215	4	CLAMP 0.50-0.91 HOSE 8HS	
29	AG561229	2	CLAMP 0.68-1.25 HOSE 12HS	
30	AG562237	1	CLAMP CTD 0.75IDX0.75WIDE	
31	AG711595	1	NIPPLE 0.50NPTX 1.12CLS 304SS	



511998D1-01-N484-02.TIF

PLMB/TANK INSTL-INJ,LH,RG

ITEM	PART #	QTY	DESCRIPTION	COMMENTS
17	AG513377	-	HOSE 0.50 2BRD EPDM [BULK: 8.084 FT]	
18	AG513385	-	HOSE,MED.PRESS 0.75 2BRD EPDM [BULK: 1.167 FT]	

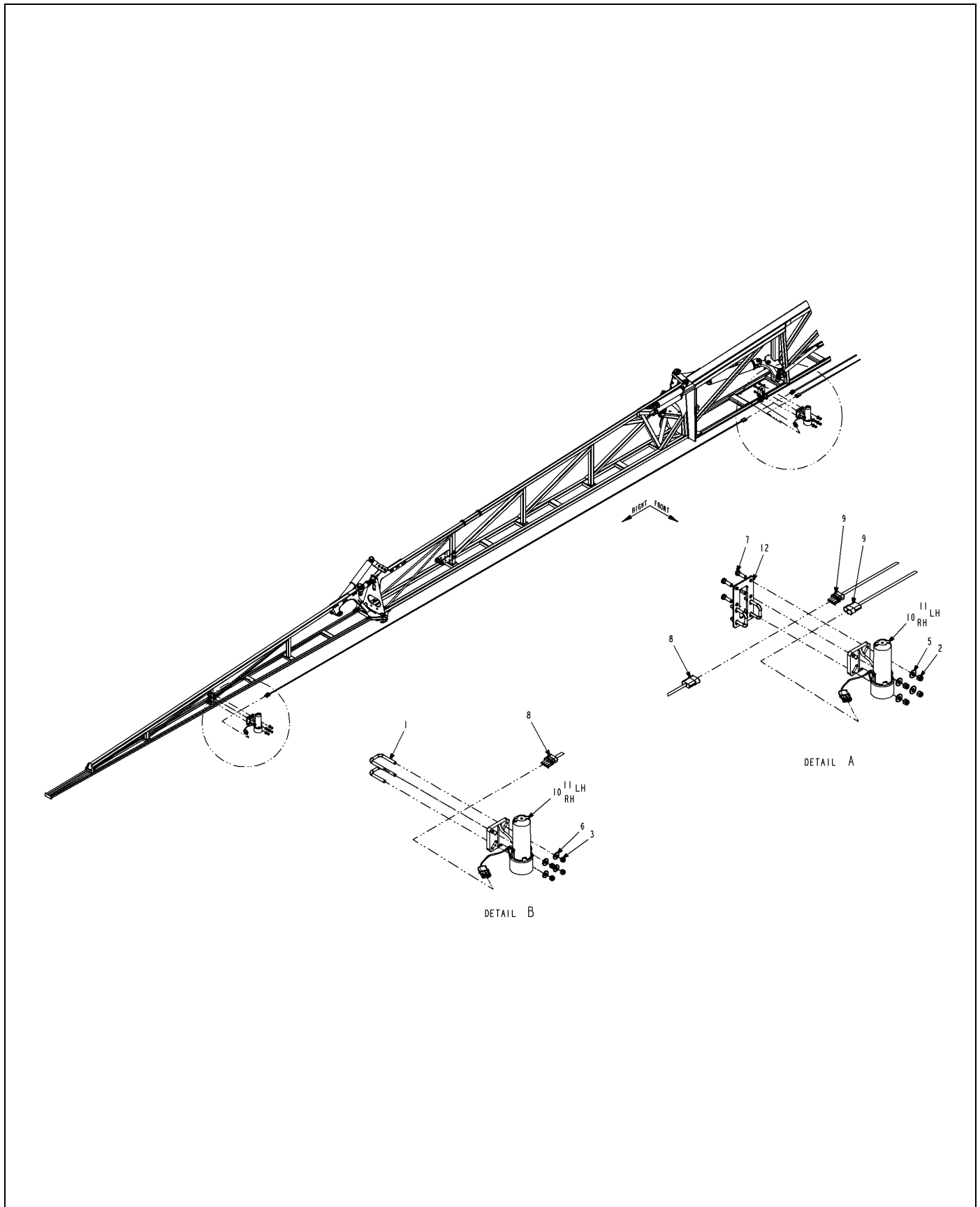


512944D1-03-R407-.TIF

OPT-CHEM EDUCTOR,SS

ITEM	PART #	QTY	DESCRIPTION	COMMENTS
1	AG000766	1	BARB-HOSE,1.50MNTTX1.50BARB,PP	
2	AG000772	6	GASKET 1.50 EPDM	
3	AG053738	1	NIPPLE 1.50NPTX 2.50 304SS	
4	AG056283	2	COUPLING 2.00 MANIFOLD FLANGE	
5	AG056290	2	CONNECTOR 2.00FLGX1.25HOSE 90D	
6	AG056292	1	CONNECTOR 2.00FLGX1.50HOSE 90D	
7	AG056785	6	CLAMP 2.00 FLANGE	
8	AG057999	1	TEE-VENTURI,2.0FLG W/.75INDUCT	
9	AG129187	AR	PIPE SEALANT-FLEX BLACK	
10	AG230095	2	STRIP INSULATION LONG	
11	AG328960	1	EDUCTOR ASM-CHEMICAL,SS	SEE PAGE 2-30
12	AG424445	1	BRKT-MTG,EDUCTOR	
13	AG513393	-	HOSE 1.25 2BRD EPDM [BULK: 4.667 FT]	
14	AG522800	-	HOSE-1.50,DISCHARGE,NITRILE [BULK: 4 FT]	
15	AG523923	1	VALVE-2.0 FLG,T HANDLE,PP	SEE PAGE 2-31
16	AG524024	1	VALVE-BALL,1.50NPT,T HANDLE	SEE PAGE 2-29
17	AG550256	8	BOLT.50-13NCX1.25 G5 ZN HHD	
18	AG550353	8	WASHER 0.50 FL ZN REG TYPE-B	
19	AG561231	8	CLAMP 1.06-2.00 HOSE 24HS	
20	AG601152	8	NUT 0.50-13NC HEX ZN REG NY	

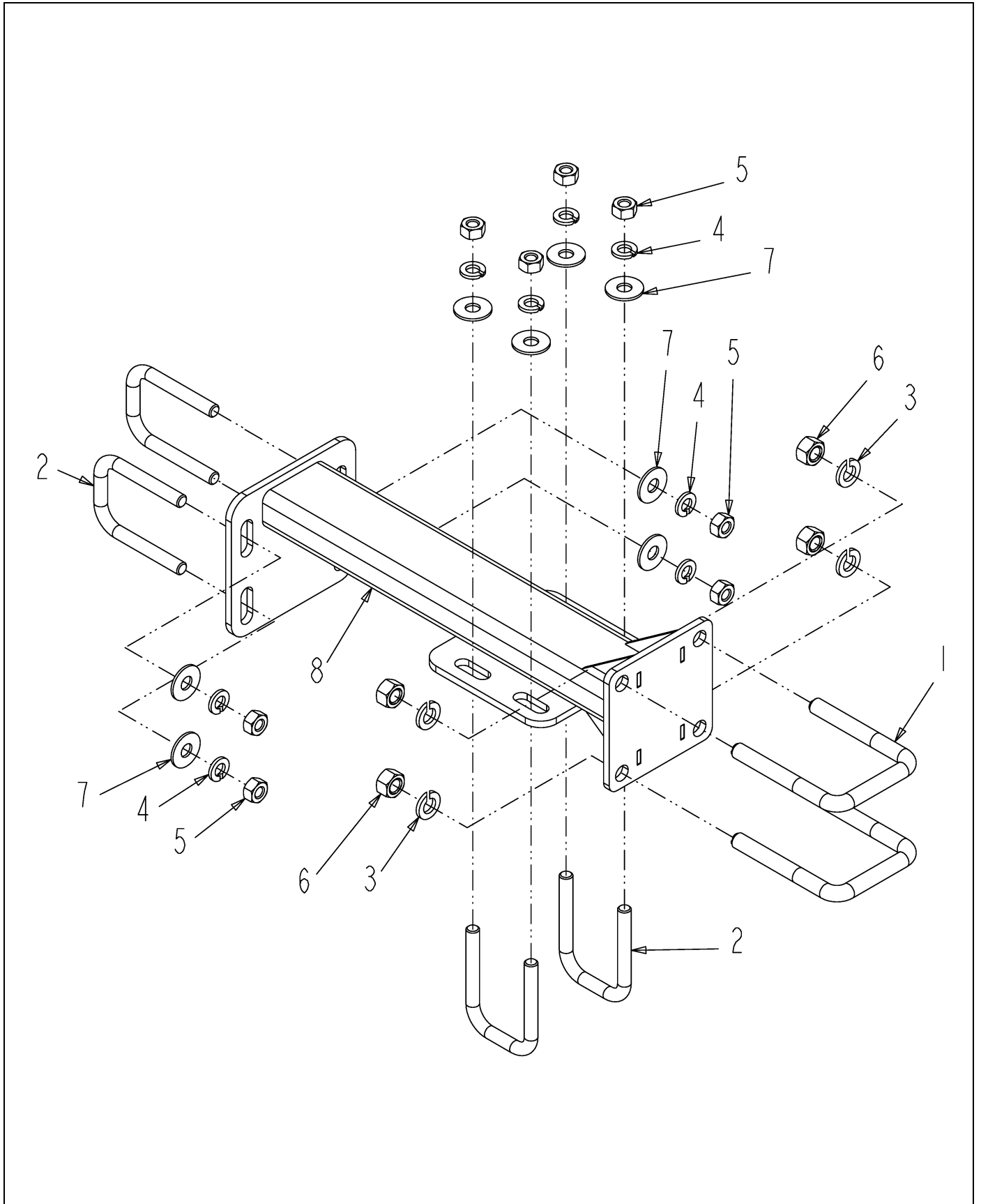
SNSR INSTL-AUTOBOOM,120FT



520704D1-01-R483-.TIF

SNSR INSTL-AUTOBOOM,120FT

ITEM	PART #	QTY	DESCRIPTION	COMMENTS
1	AG231204	4	BOLT-U .31-18X1.88X2.63	
2	AG515140	8	NUT 0.37-16NC HEX SS HVY NY	
3	AG516403	8	NUT 0.31-18NC HEX SS REG NY	
4	AG553557	AR	TIE CABLE 7.37 .06-1.37 BLACK	
5	AG562073	8	WASHER 0.37 FL SS REG TYPE-B	
6	AG562074	8	WASHER 0.31 FL SS REG TYPE-B	
7	AG604167	8	BOLT 0.37-16NCX 1.25 S.S. HDD	
8	506904D1	2	HARN-EXT,SNSR,ULTRASONIC,288	
9	506905D1	4	HARN-EXT,SNSR,ULTRASONIC,510	
10	516990D1	2	SNSR-ULTRASONIC,AUTOBM,RH MTG	SEE PAGE 11-54
11	516991D1	2	SNSR-ULTRASONIC,AUTOBM,LH MTG	SEE PAGE 11-55
12	520705D1	2	BRKT ASM-MTG,SNSR	SEE PAGE 4-238

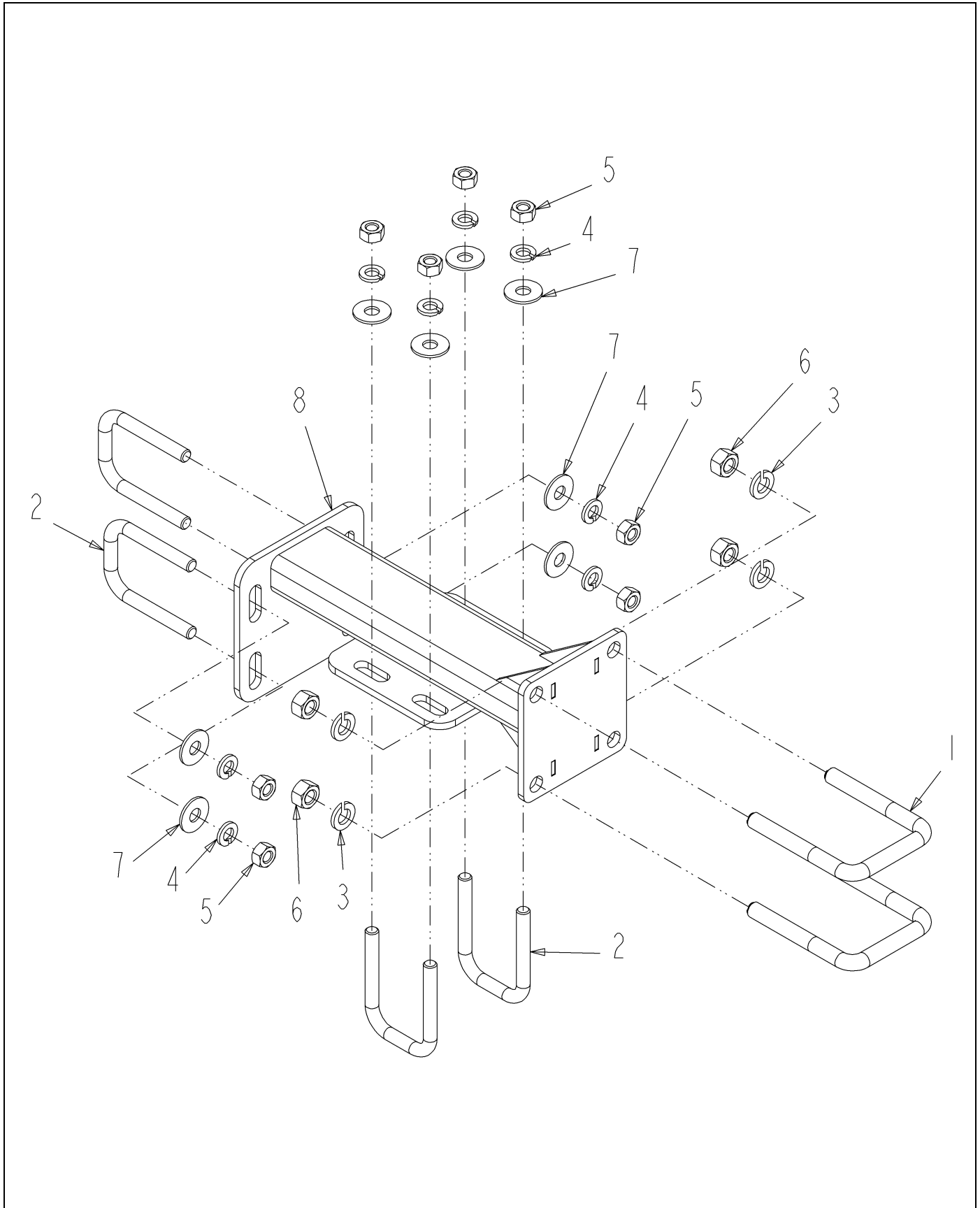


516972D1-02-R177-.TIF

ARM ASM-MTG,WHL,CUSH,120

ITEM	PART #	QTY	DESCRIPTION	COMMENTS
1	AG209236	2	BOLT-U .38-16X2.12X 3.06SQG5ZN	
2	AG209384	4	BOLT-U .31-18X1.56X 2.46SQG5ZN	
3	AG550191	4	WASHER 0.37 LK ZN REG	
4	AG550205	8	WASHER 0.31 LK ZN REG	
5	AG550213	8	NUT 0.31-18NC HEX ZN REG	
6	AG550825	4	NUT 0.37-16NC HEX ZN REG	
7	AG551015	8	WASHER 0.31 FL ZN REG TYPE-B	
8	516971D1	1	ARM WLDMT-MTG,WHL,CUSH,120	

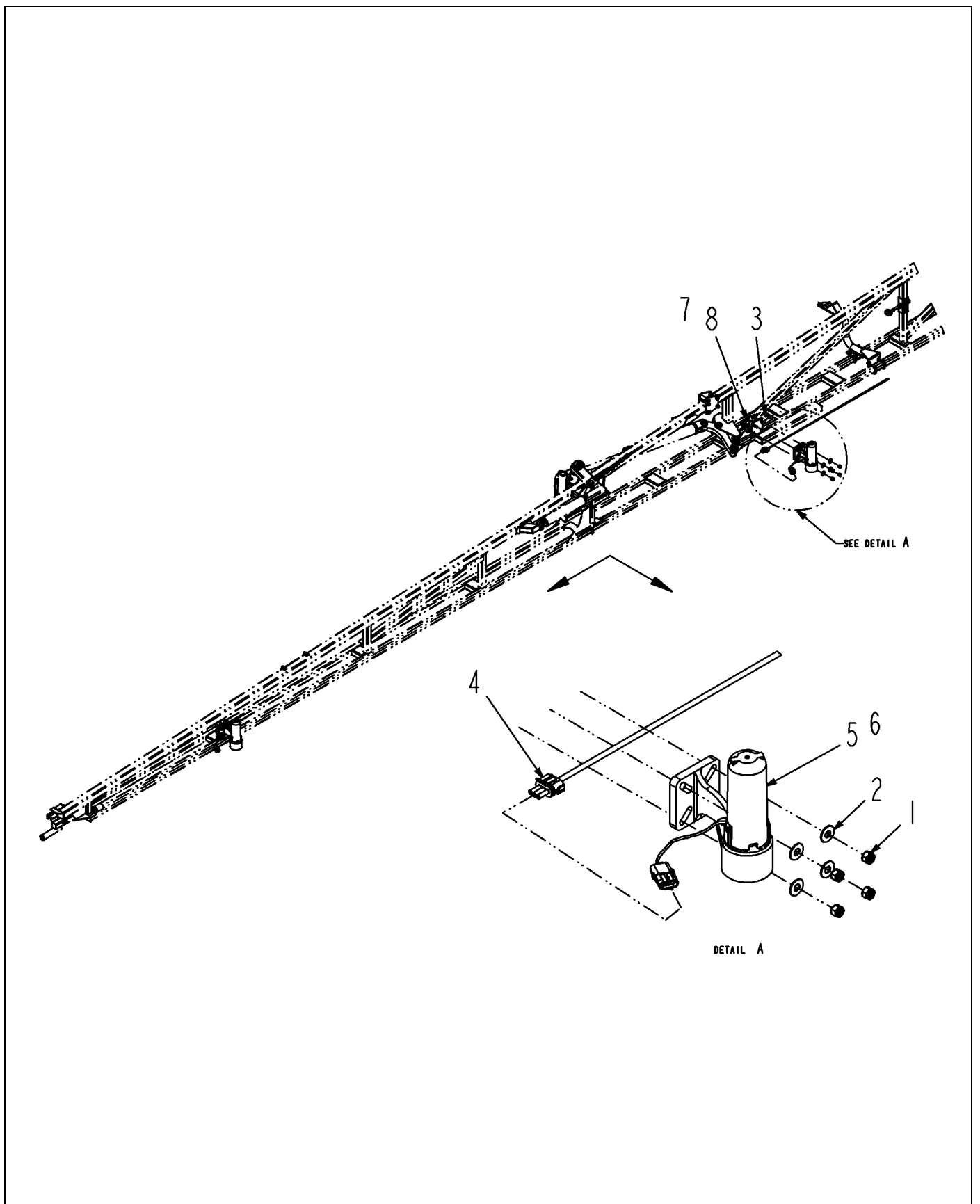
ARM ASM-MTG,WHL,CUSH,120



519340D1-01-R284-.TIF

ARM ASM-MTG,WHL,CUSH,120

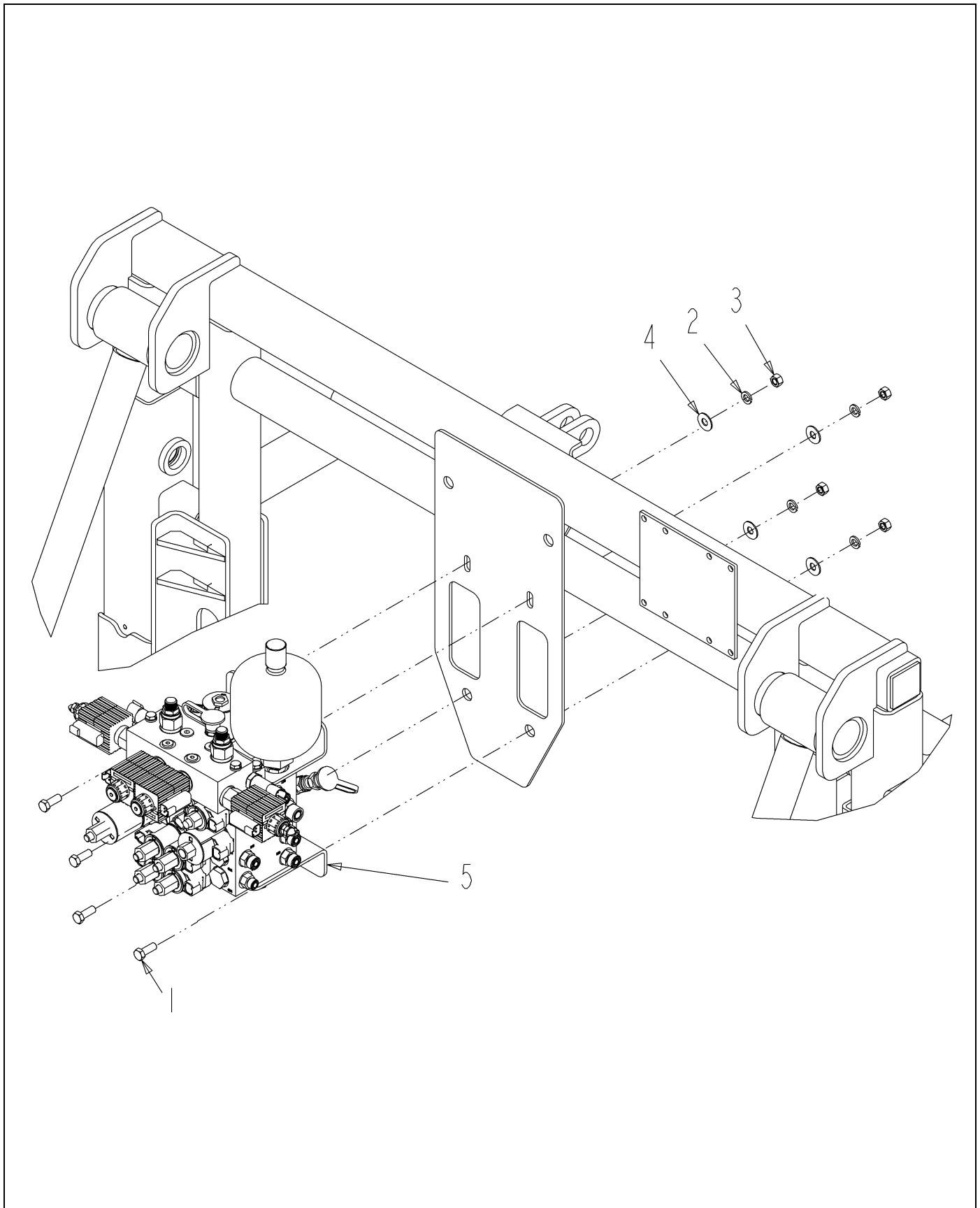
ITEM	PART #	QTY	DESCRIPTION	COMMENTS
1	AG209236	2	BOLT-U .38-16X2.12X 3.06SQG5ZN	
2	AG209384	4	BOLT-U .31-18X1.56X 2.46SQG5ZN	
3	AG550191	4	WASHER 0.37 LK ZN REG	
4	AG550205	8	WASHER 0.31 LK ZN REG	
5	AG550213	8	NUT 0.31-18NC HEX ZN REG	
6	AG550825	4	NUT 0.37-16NC HEX ZN REG	
7	AG551015	8	WASHER 0.31 FL ZN REG TYPE-B	
8	519332D1	1	ARM WLDMT-MTG,WHL,80/90/100	



519356D1-01-R284-.TIF

SNSR INSTL-ADD,AUTOBM,90/100

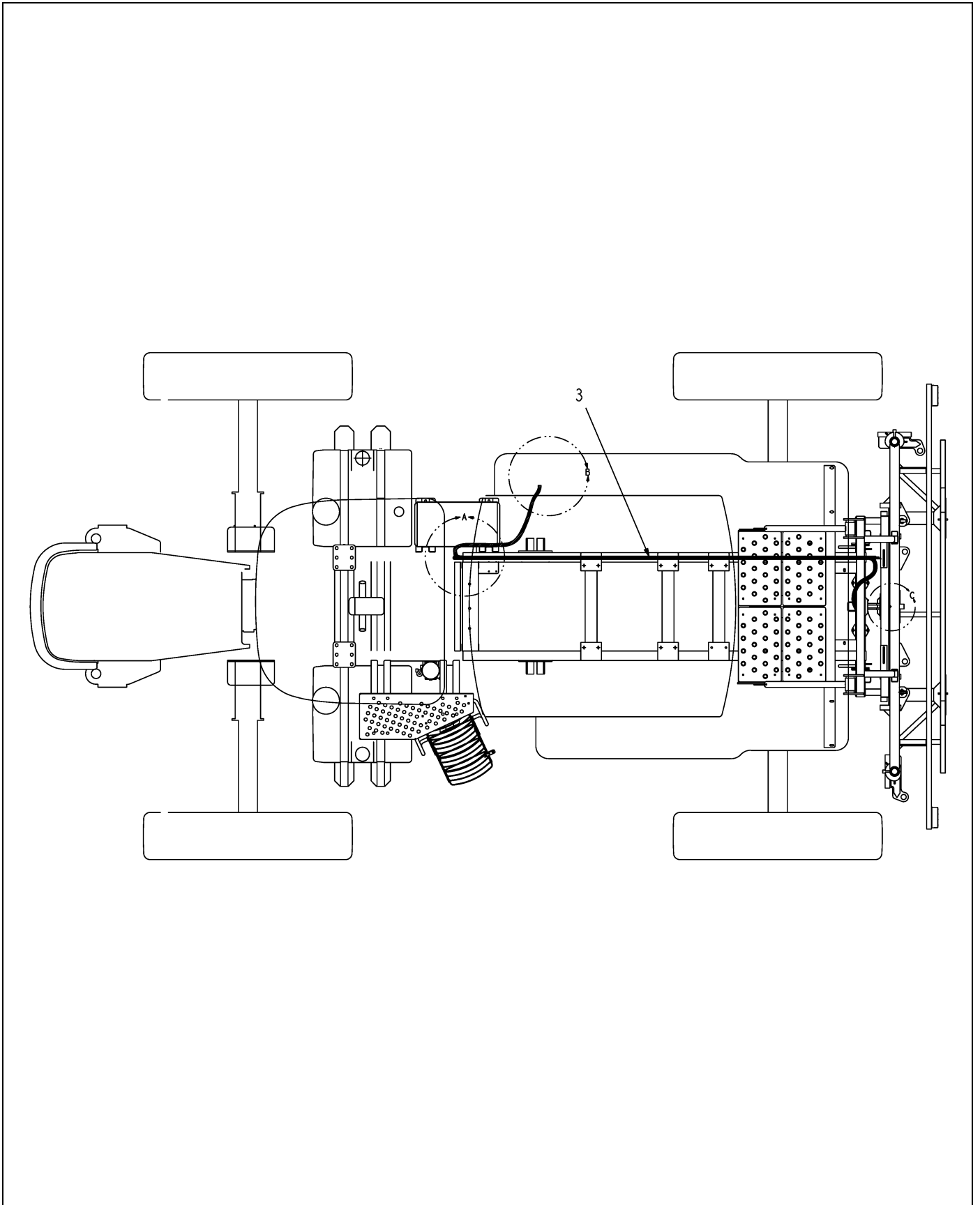
ITEM	PART #	QTY	DESCRIPTION	COMMENTS
1	AG515140	8	NUT 0.37-16NC HEX SS HVY NY	
2	AG562073	8	WASHER 0.37 FL SS REG TYPE-B	
3	AG604167	8	BOLT 0.37-16NCX 1.25 S.S. HHD	
4	508294D1	2	HARN-EXT,SNSR,ULTRASONIC,410	
5	516990D1	1	SNSR-ULTRASONIC,AUTOBM,RH MTG	SEE PAGE 11-54
6	516991D1	1	SNSR-ULTRASONIC,AUTOBM,LH MTG	SEE PAGE 11-55
7	517005D1	1	BRKT ASM-MTG,ANG,SNSR,LH	SEE PAGE 11-59
8	517006D1	1	BRKT ASM-MTG,ANG,SNSR,RH	SEE PAGE 11-60



515131D1-01-R284-.TIF

BLK INSTL-HYD,W/AUTOBM,SM BM

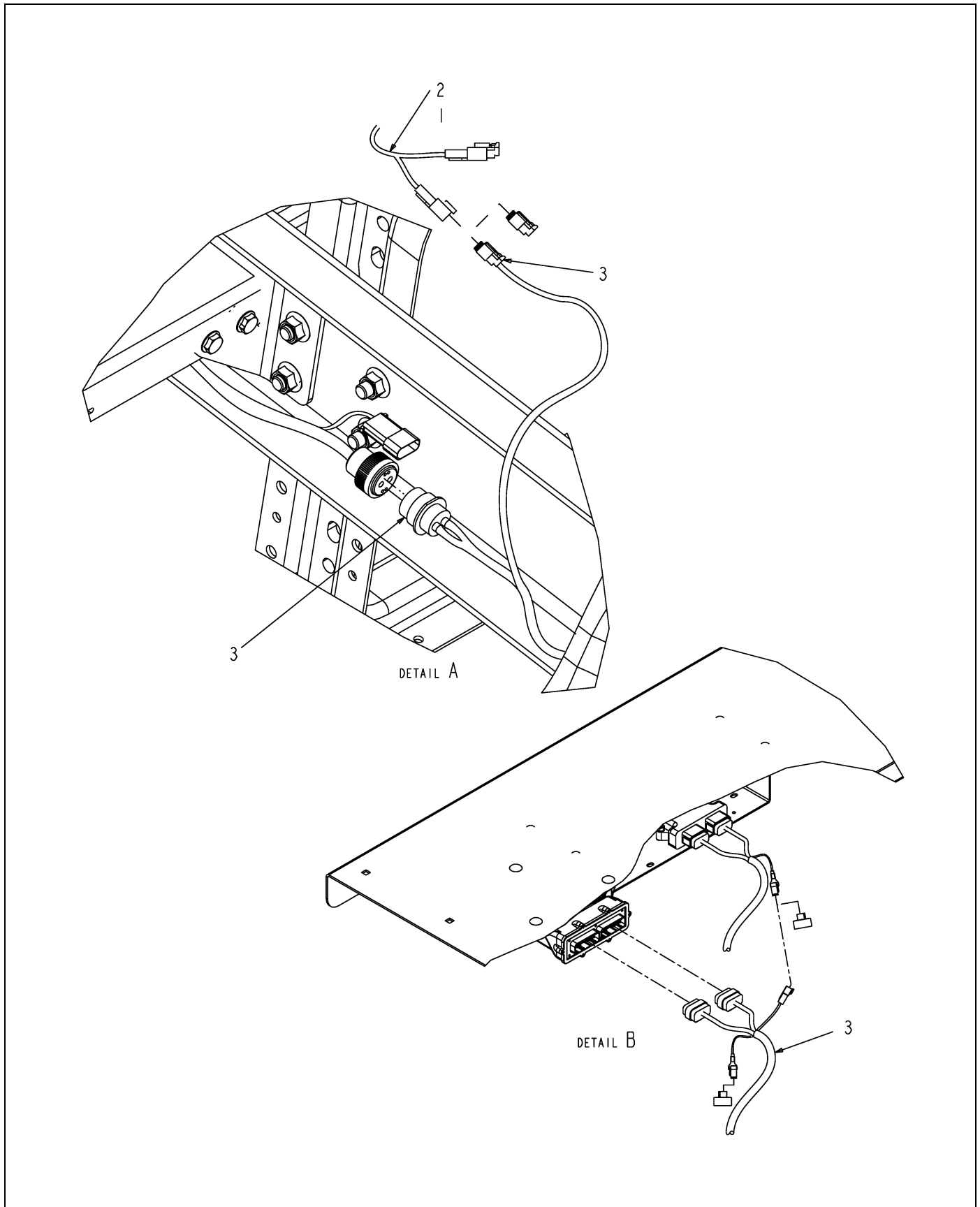
ITEM	PART #	QTY	DESCRIPTION	COMMENTS
1	AG550175	4	BOLT 0.37-16NCX 1.00 G5 ZN HHD	
2	AG550191	4	WASHER 0.37 LK ZN REG	
3	AG550825	4	NUT 0.37-16NC HEX ZN REG	
4	AG551007	4	WASHER 0.37 FL ZN REG TYPE-B	
5	515132D1	1	BLK ASM-HYD,BM,W/AUTOBM,SM BM	



516602D1-01-R059-01.TIF

HARN INSTL-SYS,AUTOBOOM,CAN

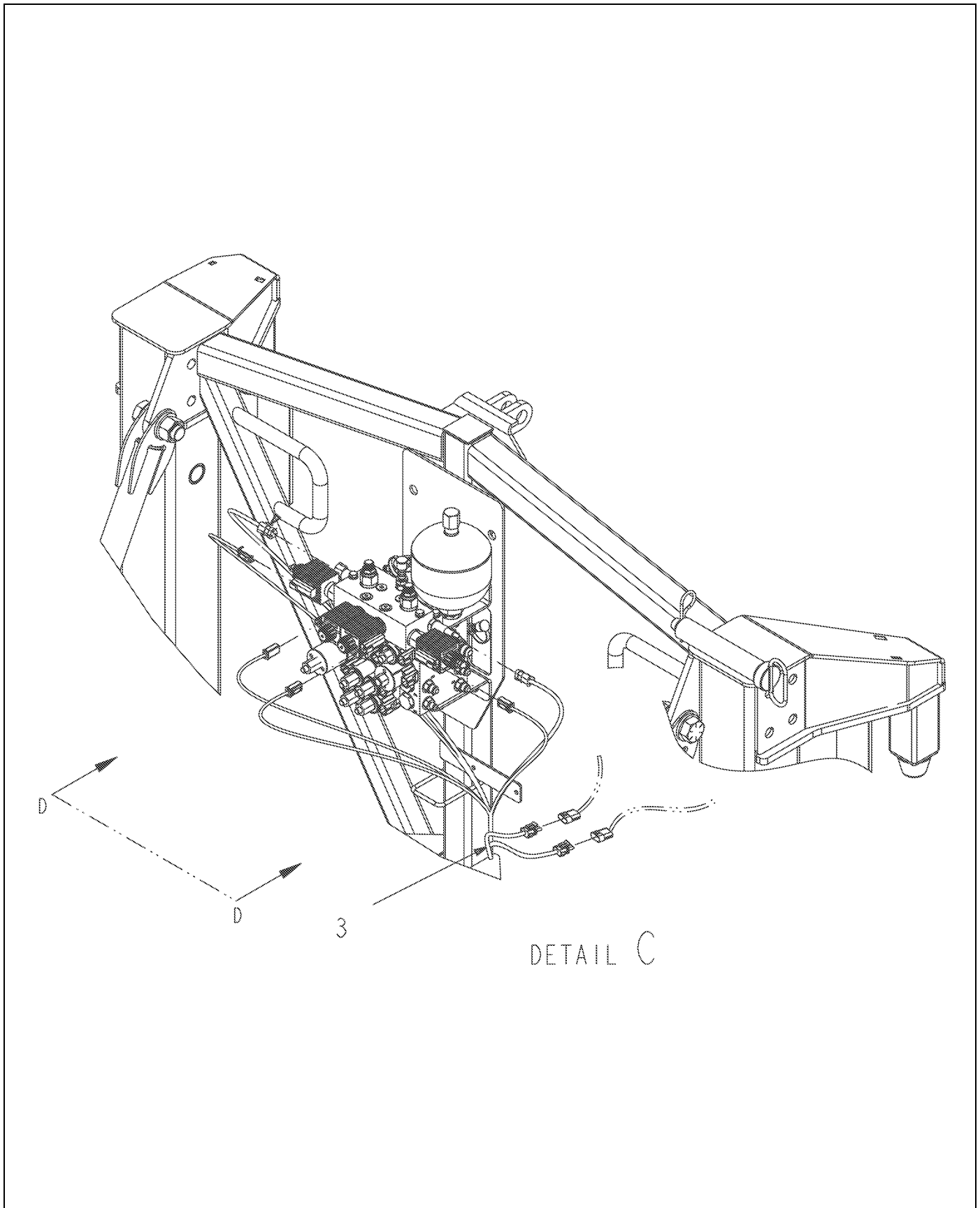
ITEM	PART #	QTY	DESCRIPTION	COMMENTS
3	516605D1	1	HARN-CTRL,SYS,AUTOBOOM,CAN	



516602D1-01-R059-02.TIF

HARN INSTL-SYS,AUTOBOOM,CAN

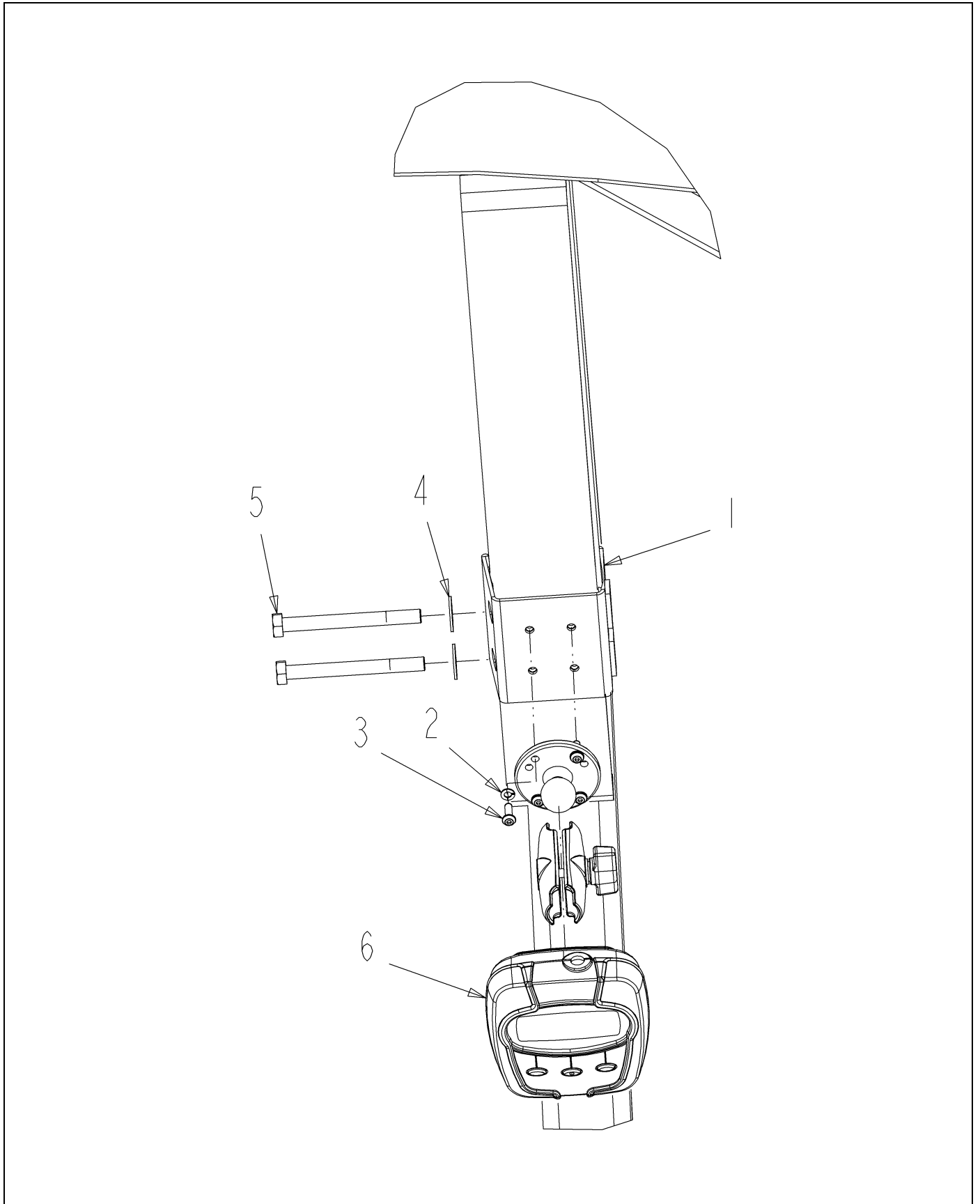
ITEM	PART #	QTY	DESCRIPTION	COMMENTS
1	503993D1	-	HARNESS-ENG ELECTRONICS,CHAS	
2	511924D1	-	HARNESS-PWR/GND,OPT,RG	
3	516605D1	1	HARN-CTRL,SYS,AUTOBOOM,CAN	



516602D1-01-R059-03.TIF

HARN INSTL-SYS,AUTOBOOM,CAN

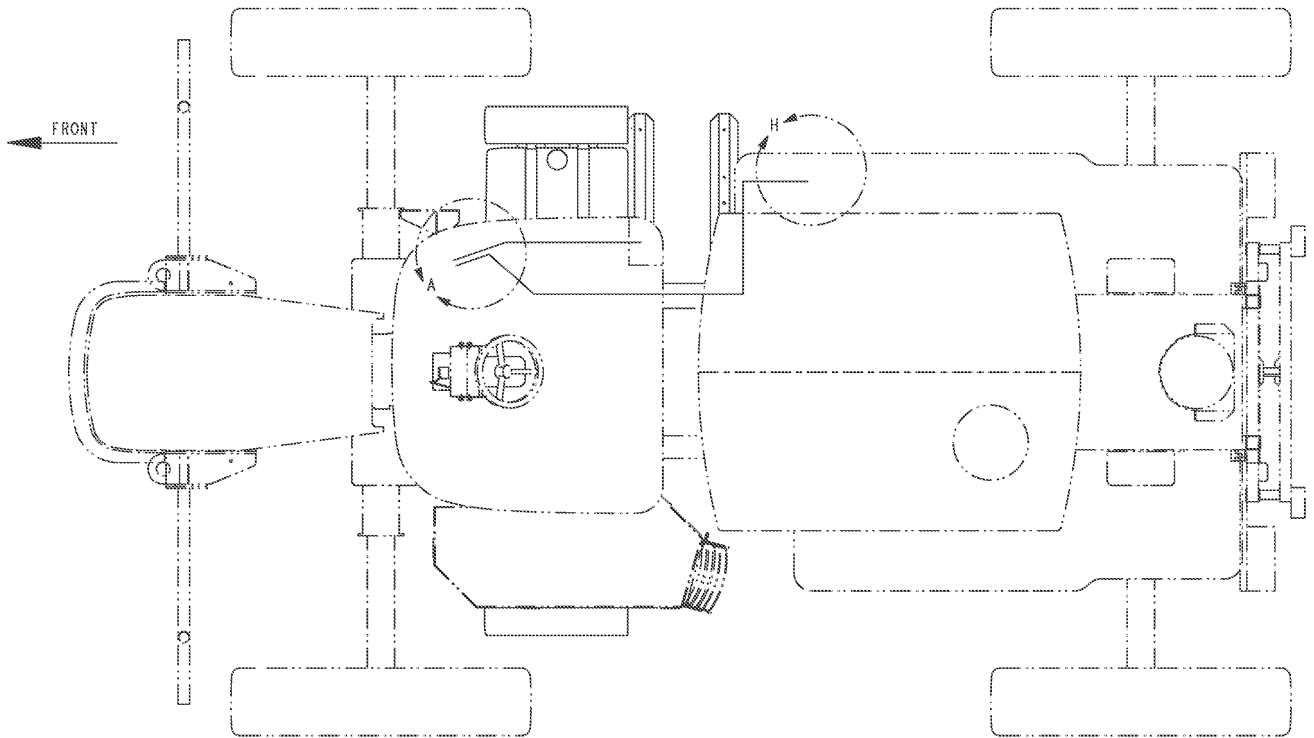
ITEM	PART #	QTY	DESCRIPTION	COMMENTS
3	516605D1	1	HARN-CTRL,SYS,AUTOBOOM,CAN	



516599D1-02-R221-.TIF

CONT INSTL-AUTOBM,CAN,12XX/SS

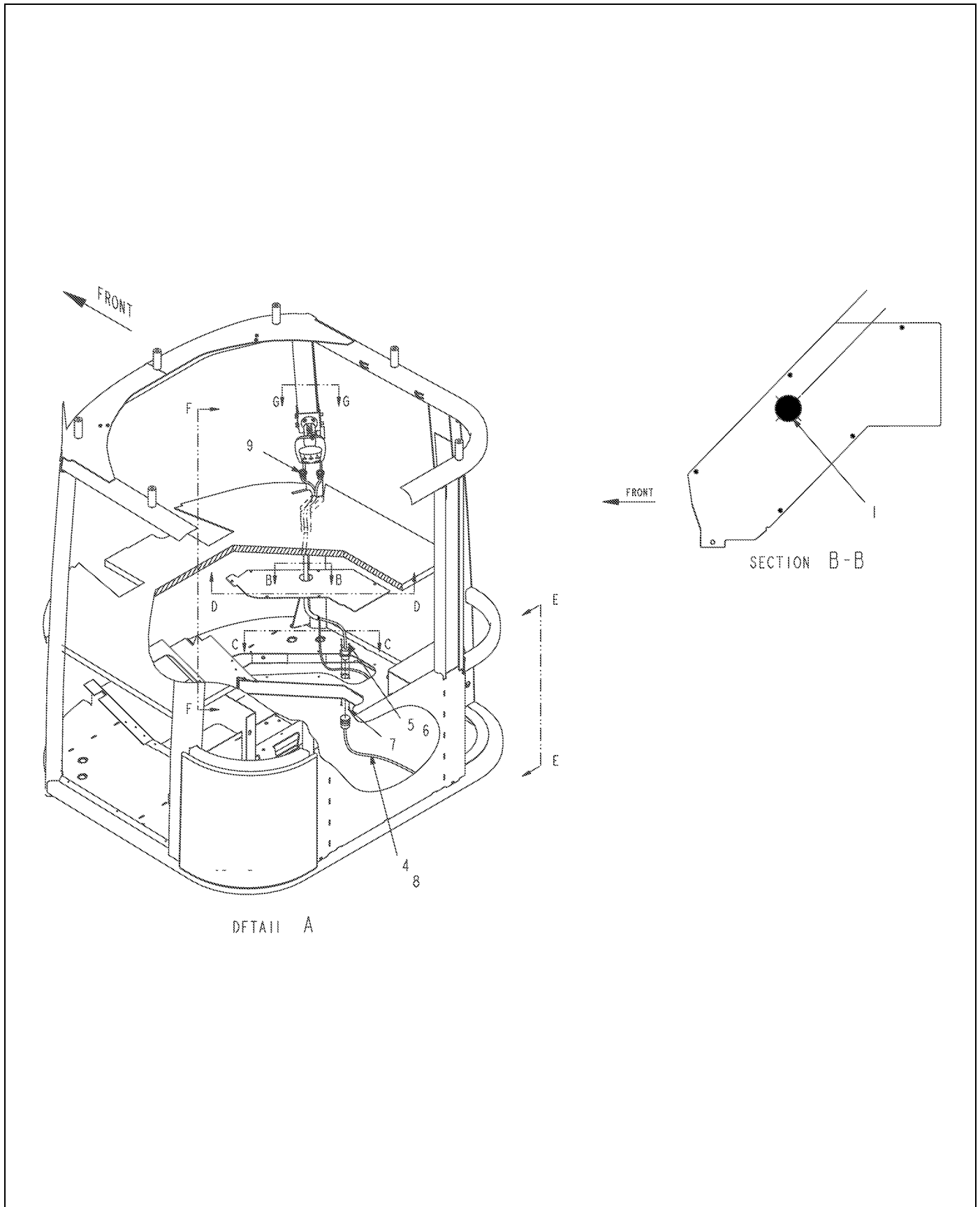
ITEM	PART #	QTY	DESCRIPTION	COMMENTS
1	AG326925	1	CLAMP WLDMT-MTG,CTRL/MONITOR	
2	AG522247	4	WASHER-LK,M5,SS,REG	
3	AG523508	4	SCR-M5-0.8X16,CL10.9,BLK,BHHS	
4	AG551007	2	WASHER 0.37 FL ZN REG TYPE-B	
5	AG562364	2	BOLT M10-1.5X100MM G8.8 ZN HHD	
6	516511D1	1	CONSOLE-CAN,AUTOBOOM,RVN	



TOP VIEW

HARN INSTL-CAB,AUTOBM,12XX/SS

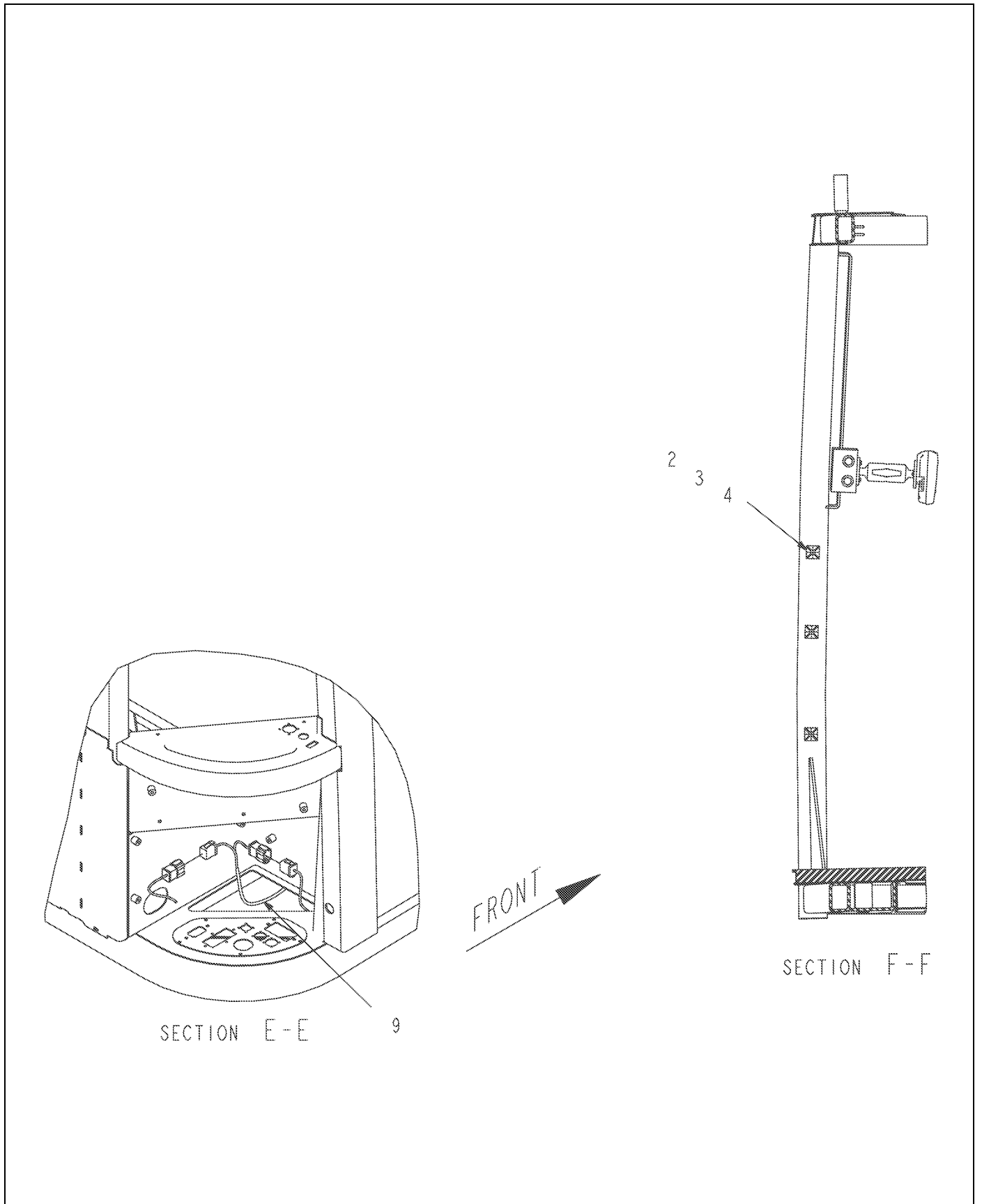
ITEM	PART #	QTY	DESCRIPTION	COMMENTS
REF			DETAIL IMAGE, PLEASE REFER TO RELATED PAGES FOR MORE INFORMATION	



516601D1-01-R194-02.TIF

HARN INSTL-CAB,AUTOBM,12XX/SS

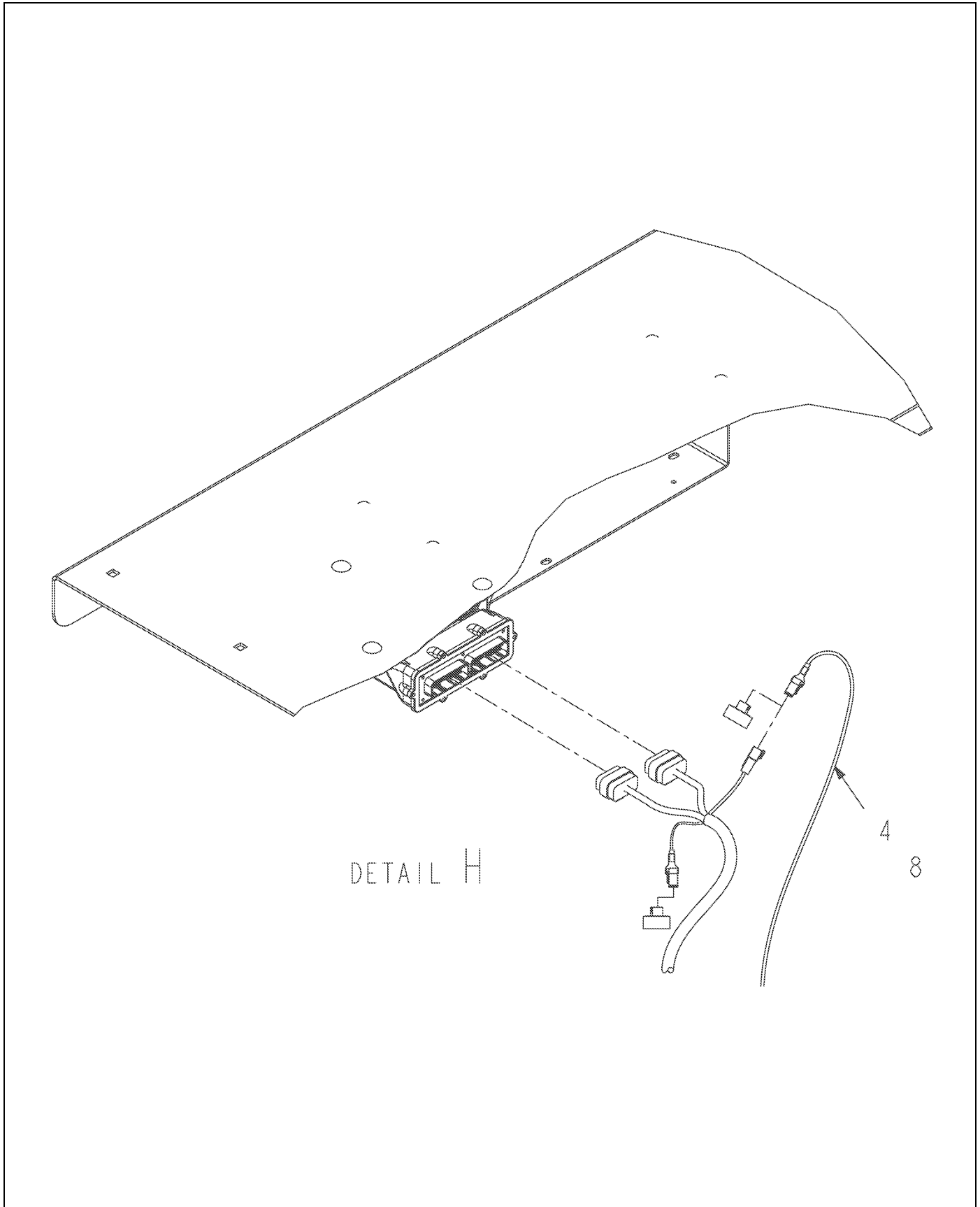
ITEM	PART #	QTY	DESCRIPTION	COMMENTS
1	AG513654	-	EDGE LINER .19 IN TK MAT PVC [BULK: 6.500 FT]	
4	AG553557	AR	TIE CABLE 7.37 .06-1.37 BLACK	
5	AG563174	2	WASHER #4 FL SS NAR TYPE-B	
6	AG563175	2	NUT #4-40NC HEX SS REG NY	
7	AG710181	2	SCREW #4-40 X .50LG PAN HD SS	
8	516607D1	1	HARN-EXT,CTRL,AUTOBM,12XX/SS	
9	516609D1	1	HARN-PWR/CTRL,AUTOBM,12XX/SS	



516601D1-01-R194-03.TIF

HARN INSTL-CAB,AUTOBM,12XX/SS

ITEM	PART #	QTY	DESCRIPTION	COMMENTS
2	AG517942	3	MOUNT WIRE TIE ADHESIVE B 4WAY	
3	AG519190	AR	ADHESIVE HOT MELT	
4	AG553557	AR	TIE CABLE 7.37 .06-1.37 BLACK	
9	516609D1	1	HARN-PWR/CTRL,AUTOBM,12XX/SS	

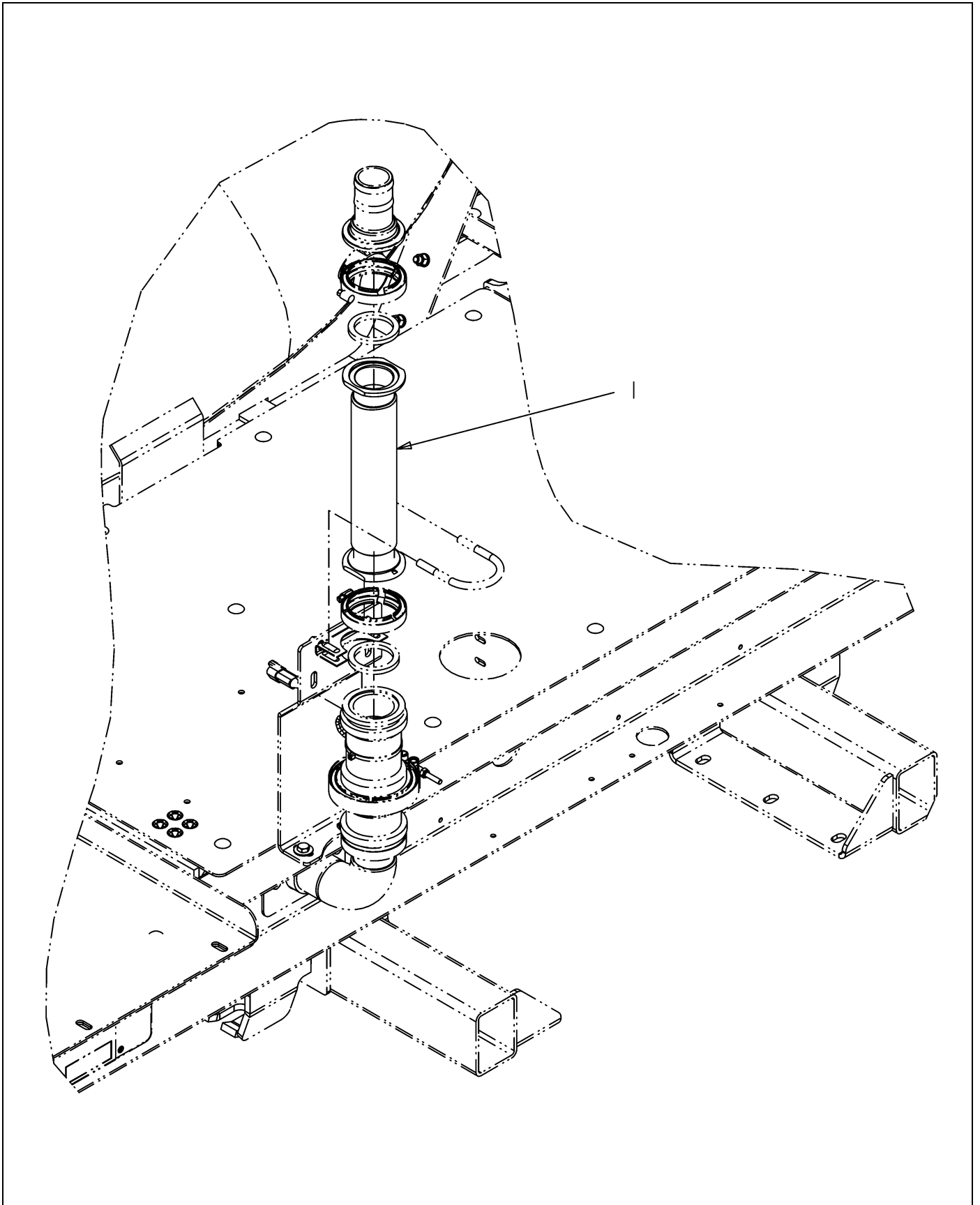


516601D1-01-R194-04.TIF

HARN INSTL-CAB,AUTOBM,12XX/SS

ITEM	PART #	QTY	DESCRIPTION	COMMENTS
4	AG553557	AR	TIE CABLE 7.37 .06-1.37 BLACK	
8	516607D1	1	HARN-EXT,CTRL,AUTOBM,12XX/SS	

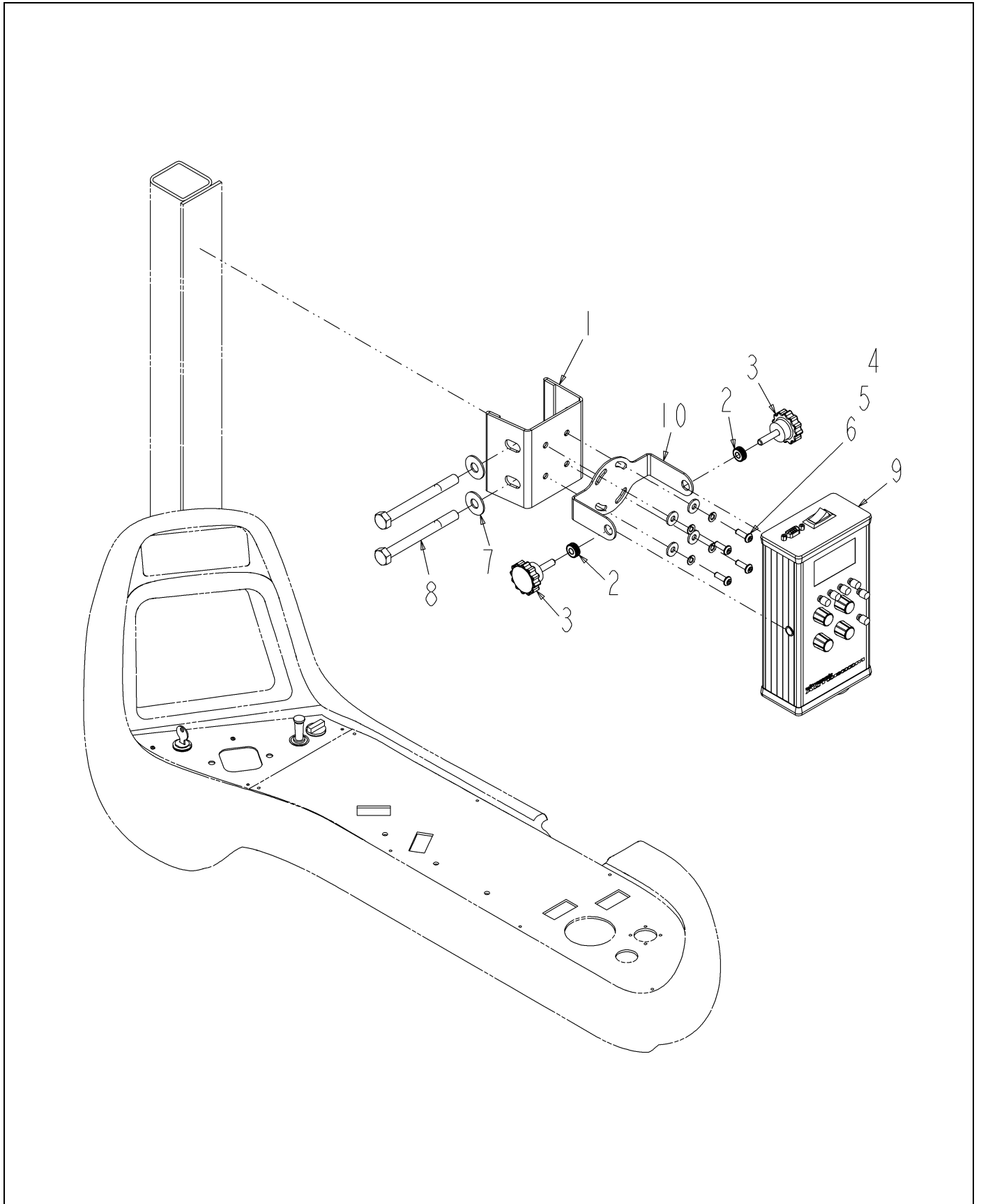
TUBE INSTL-W/O LOW RATE KIT



135914-01-M399-.TIF

TUBE INSTL-W/O LOW RATE KIT

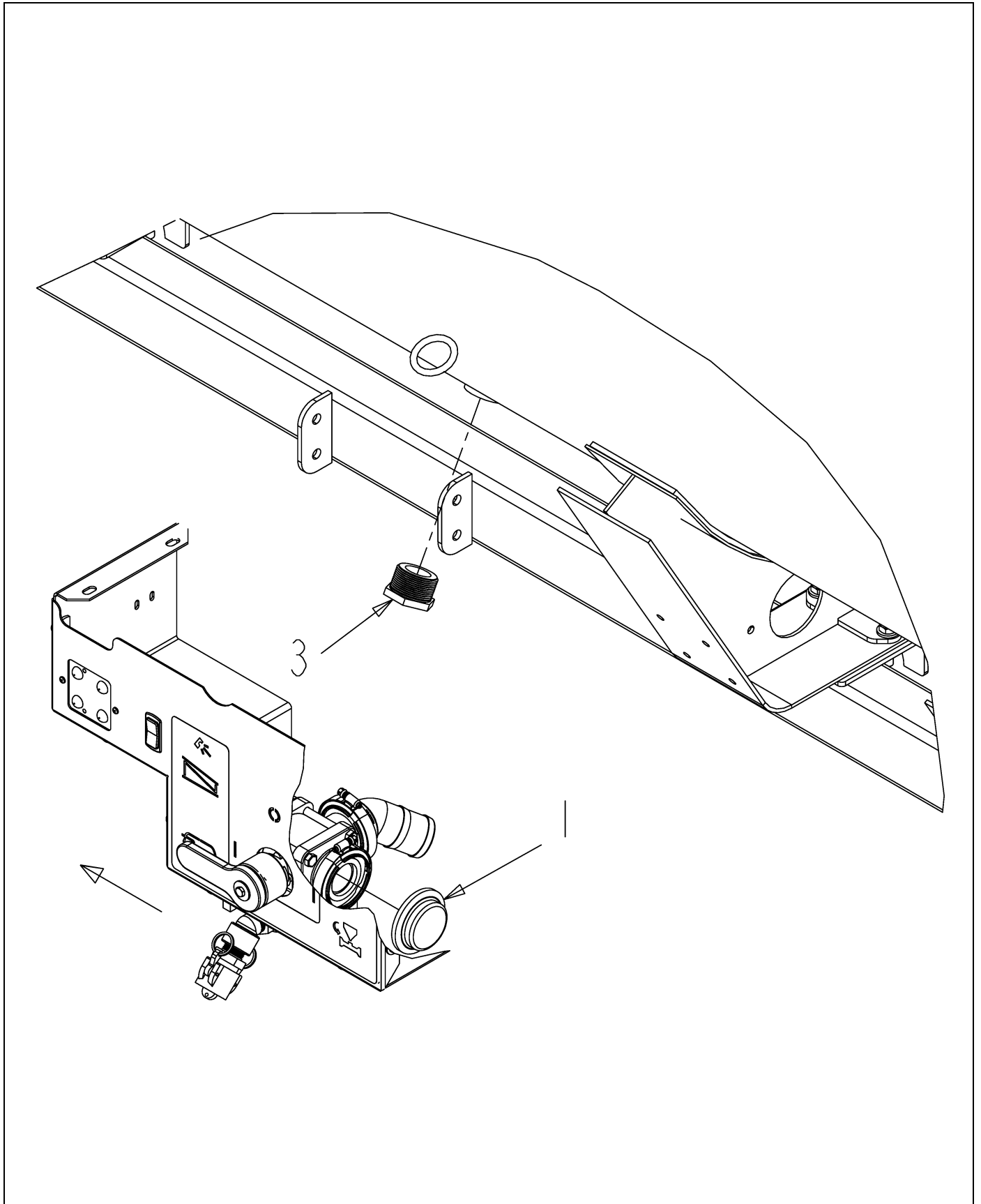
ITEM	PART #	QTY	DESCRIPTION	COMMENTS
1	AG135919	1	STR WLDMT-12.06,2.00FPX2.00FP	



506889D1-01-M930.TIF

CONT INSTL-AUTOBOOM,G2,12X4

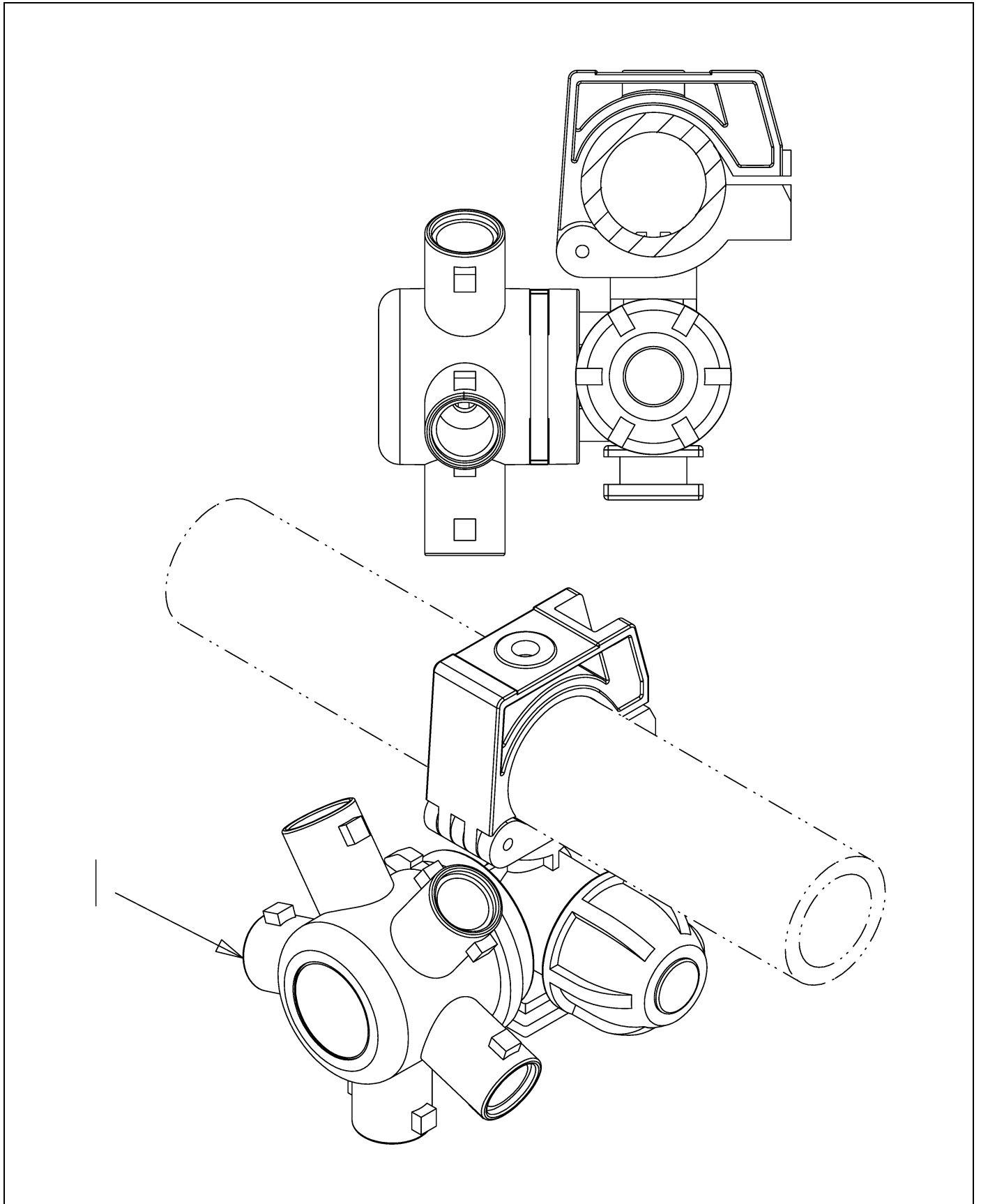
ITEM	PART #	QTY	DESCRIPTION	COMMENTS
1	AG326925	1	CLAMP WLDMT-MTG,CTRL/MONITOR	
2	AG514342	2	GROMMET 0.25 ID .44 GROOVE DIA	
3	AG514446	2	KNOB 0.25NC ROUND BL PLASTIC	
4	AG522244	4	WASHER-FL,M5,SS,REG	
5	AG522247	4	WASHER-LK,M5,SS,REG	
6	AG523508	4	SCR-M5-0.8X16,CL10.9,BLK,BHHS	
7	AG551007	2	WASHER 0.37 FL ZN REG TYPE-B	
8	AG562364	2	BOLT M10-1.5X100MM G8.8 ZN HHD	
9	506896D1	1	CONSOLE-AUTOBOOM,G2,RVN	
10	506897D1	1	BRKT-MTG,CONSOLE,AUTOBOOM,G2	



512945D1-01-N620-.TIF

OPT-W/O CHEM EDUCTOR

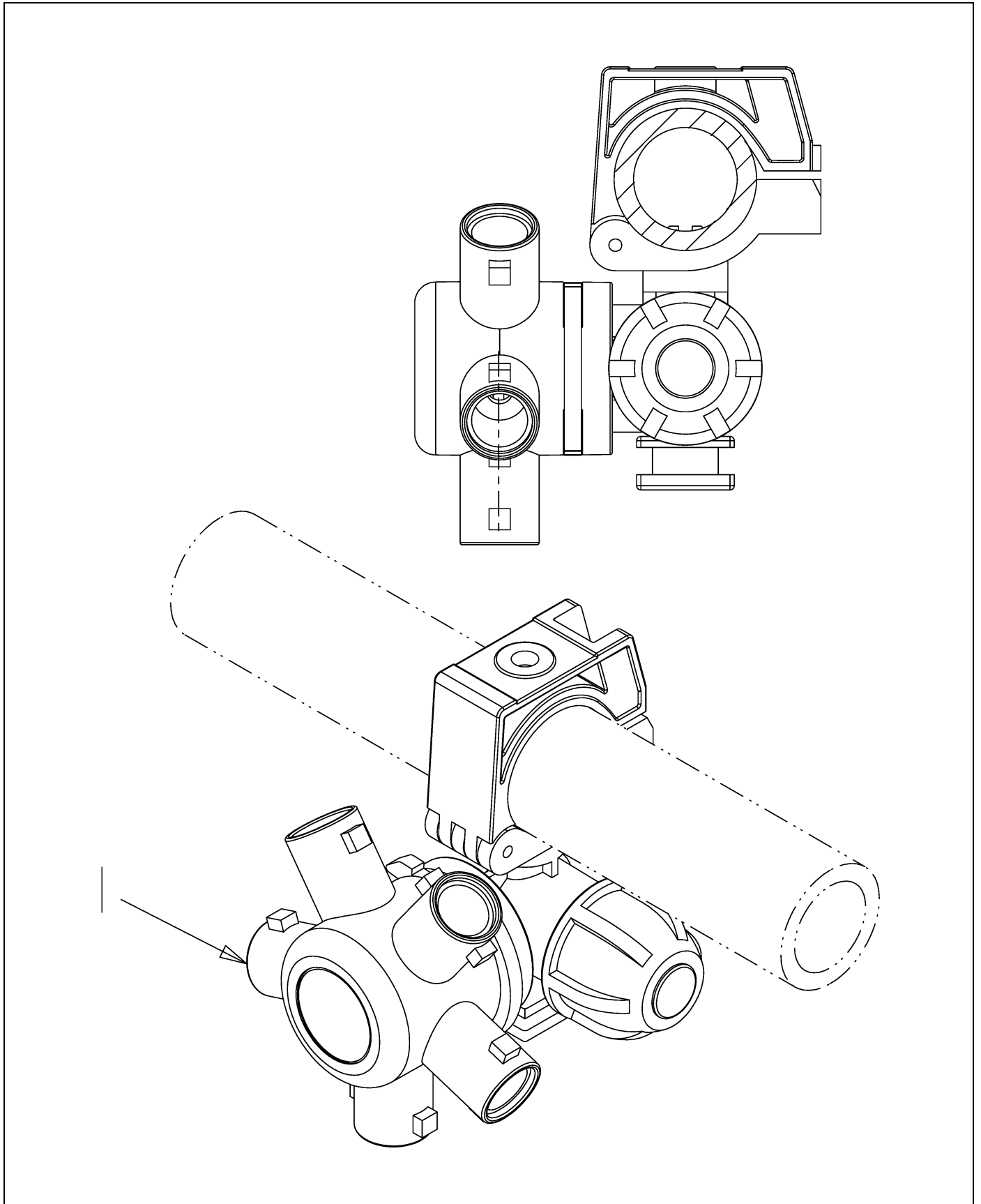
ITEM	PART #	QTY	DESCRIPTION	COMMENTS
1	AG056286	1	PLUG 2.00 MANIFOLD	[A]
2	AG129187	AR	PIPE SEALANT-FLEX BLACK	
3	AG522149	1	PLUG-PIPE,HEX,1.50NPT,PP	
	FOOTNOTE [A]		USE AG143717	



513298D1-01-N649-.TIF

OPT-NOZ,5WAY,RTRY,90X10,ON

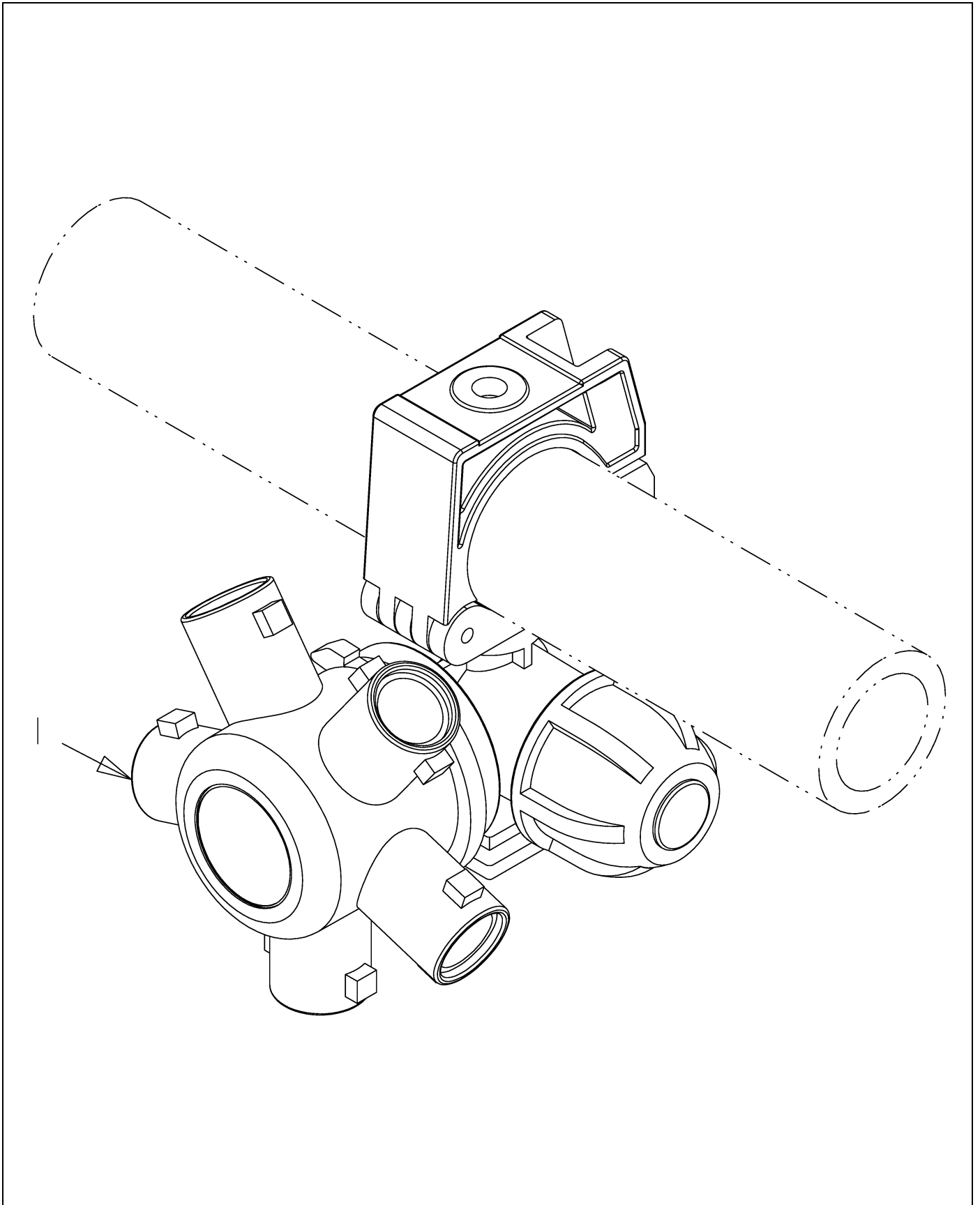
ITEM	PART #	QTY	DESCRIPTION	COMMENTS
1	513297D1	107	BODY-NOZZLE,5WAY,RTRY,1.00	



513299D1-01-N649-.TIF

OPT-NOZ,5WAY,RTRY,90X20,OFF

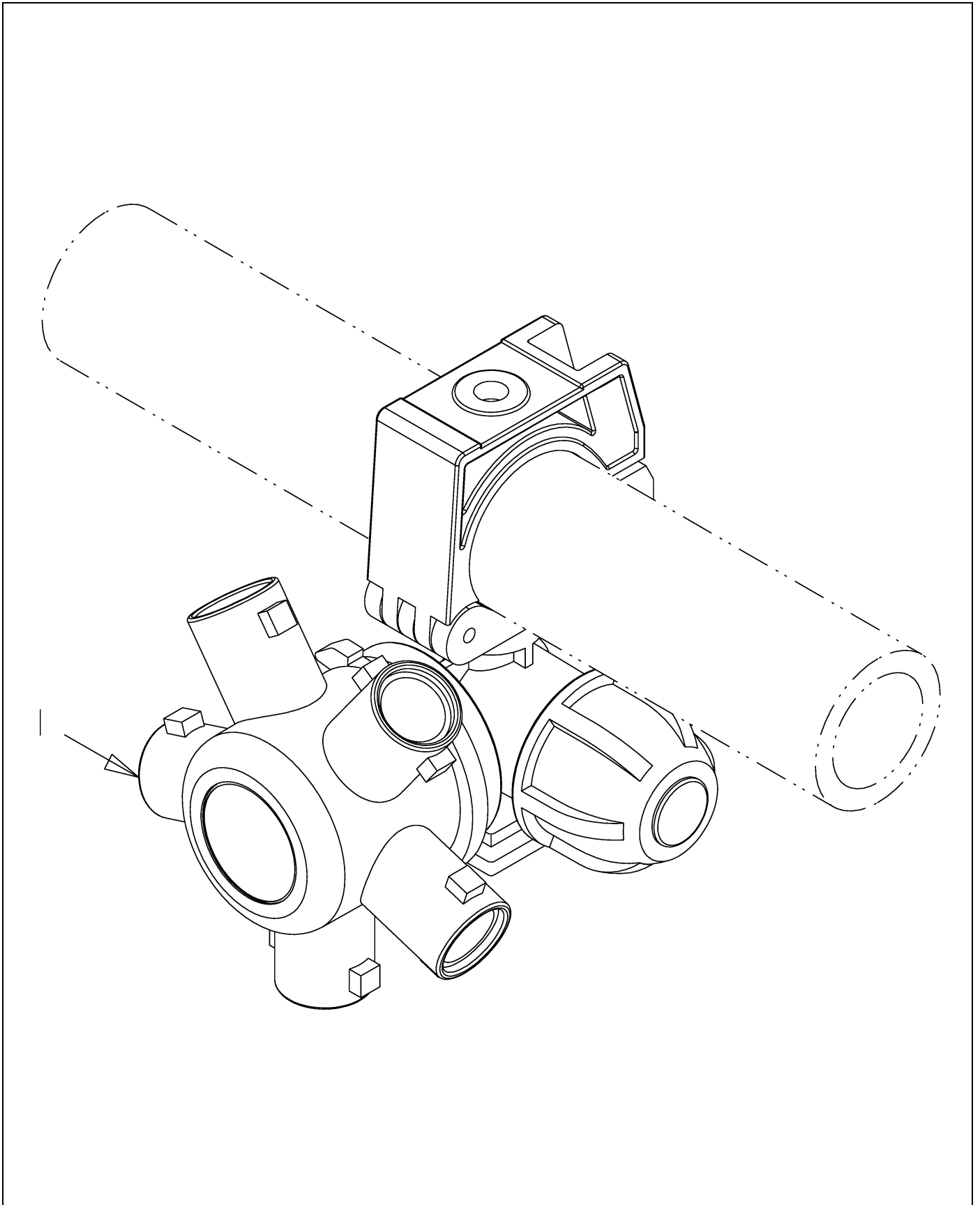
ITEM	PART #	QTY	DESCRIPTION	COMMENTS
1	513297D1	54	BODY-NOZZLE,5WAY,RTRY,1.00	



513300D1-01-N648-.TIF

OPT-NOZ,5WAY,RTRY,100X10,ON

ITEM	PART #	QTY	DESCRIPTION	COMMENTS
1	513297D1	119	BODY-NOZZLE,5WAY,RTRY,1.00	



513301D1-01-N648-.TIF

OPT-NOZ,5WAY,RTRY,100X20,OFF

ITEM	PART #	QTY	DESCRIPTION	COMMENTS
1	513297D1	60	BODY-NOZZLE,5WAY,RTRY,1.00	

NUMERIC INDEX

228098D	2-30	400628X1	11-6	505467D1	6-56
228099D	2-30	400628X1	11-7	505516D1	3-47
309263D	2-30	400628X1	5-15	505558D1	6-60
3788369M1	6-26	400628X1	5-68	505558D1	6-61
3788369M1	6-27	400628X1	5-72	505558D1	6-62
400123X1	5-53	400629X1	5-18	505566D1	6-41
400318X1	5-16	400630X1	11-22	505581D1	6-61
400318X1	5-18	400630X1	11-7	506321D1	3-33
400318X1	5-24	400630X1	5-15	506322D1	3-20
400318X1	5-3	400630X1	5-68	506322D1	3-24
400318X1	5-5	400630X1	5-72	506334D1	3-13
400318X1	5-6	400961X1	11-39	506334D1	3-17
400318X1	5-7	400961X1	11-44	506334D1	3-21
400323X1	11-22	400963X1	11-22	506334D1	3-25
400323X1	11-7	400963X1	4-43	506334D1	3-5
400323X1	5-15	400963X1	5-15	506334D1	3-9
400323X1	5-68	400963X1	5-68	506451D1	4-7
400323X1	5-72	400966X1	5-48	506451D1	4-9
400366X1	4-53	400967X1	5-47	506452D1	2-4
400366X1	5-34	401024X1	11-22	506452D1	4-17
400366X1	5-48	401024X1	11-7	506452D1	4-202
400366X1	5-50	401024X1	5-15	506453D1	2-4
400367X1	11-22	401024X1	5-68	506453D1	4-17
400367X1	11-7	401024X1	5-72	506454D1	2-4
400367X1	5-15	401075X1	3-41	506454D1	4-17
400367X1	5-68	401075X1	3-48	506454D1	4-202
400367X1	5-72	401076X1	3-41	506455D1	2-4
400372X1	5-16	401076X1	3-48	506455D1	4-17
400376X1	5-53	401108X1	3-20	506455D1	4-202
400377X1	5-18	401108X1	3-24	506477D1	3-20
400377X1	5-3	401289X1	5-1	506477D1	3-58
400378X1	5-16	401289X1	5-44	506593D1	3-32
400378X1	5-17	401289X1	5-61	506624D1	3-35
400378X1	5-24	401289X1	5-63	506685D1	3-65
400378X1	5-26	401320X1	11-39	506686D1	3-66
400416X1	5-30	401320X1	11-44	506720D1	4-18
400416X1	5-34	401393X1	5-30	506720D1	4-200
400416X1	5-48	401487X1	4-53	506720D1	4-6
400416X1	5-50	401562X1	5-5	506720D1	4-8
400417X1	11-10	401563X1	5-4	506721D1	4-6
400417X1	11-22	503289D1	6-45	506722D1	4-6
400417X1	11-7	503475D1	3-43	506722D1	4-8
400417X1	5-15	503475D1	3-45	506723D1	4-6
400417X1	5-35	503475D1	3-50	506723D1	4-8
400417X1	5-9	503475D1	3-52	506724D1	4-6
400418X1	5-6	503685D1	6-21	506724D1	4-8
400428X1	11-10	503993D1	11-79	506725D1	4-6
400428X1	11-22	503993D1	6-64	506725D1	4-8
400428X1	11-6	503993D1	6-66	506726D1	4-18
400428X1	11-7	504956D1	6-52	506726D1	4-200
400428X1	5-15	505109D1	6-17	506726D1	4-6
400428X1	5-35	505109D1	6-55	506726D1	4-8
400428X1	5-4	505110D1	6-5	506727D1	4-18
400428X1	5-68	505110D1	6-56	506727D1	4-200
400428X1	5-72	505270D1	4-28	506727D1	4-6
400428X1	5-9	505270D1	6-43	506727D1	4-8
400429X1	5-7	505271D1	2-4	506728D1	4-6
400627X1	5-17	505271D1	4-17	506729D1	4-6
400628X1	11-22	505271D1	4-202	506729D1	4-8

NUMERIC INDEX

506730D1	4-6	506896D1	11-87	507525D1	5-25
506731D1	4-6	506897D1	11-62	507614D1	6-24
506732D1	4-8	506897D1	11-87	507615D1	6-23
506733D1	4-8	506899D1	6-19	507616D1	6-23
506734D1	4-7	506899D1	6-20	507616D1	6-24
506735D1	4-201	506899D1	6-49	507617D1	6-23
506735D1	4-7	506899D1	6-50	507617D1	6-24
506736D1	4-201	506901D1	6-22	507618D1	6-23
506736D1	4-7	506902D1	6-22	507618D1	6-24
506737D1	4-7	506903D1	11-58	507619D1	6-23
506738D1	4-7	506903D1	6-22	507619D1	6-24
506739D1	4-7	506904D1	11-73	507620D1	6-23
506740D1	4-7	506904D1	6-22	507620D1	6-24
506741D1	4-7	506905D1	11-73	507621D1	6-23
506742D1	4-9	506905D1	6-22	507621D1	6-24
506743D1	4-19	506906D1	4-194	507684D1	1-9
506743D1	4-9	506906D1	4-46	507719D1	5-68
506744D1	4-19	506906D1	4-47	507719D1	5-72
506744D1	4-9	506906D1	4-48	507731D1	11-30
506745D1	4-19	506910D1	11-24	507731D1	4-196
506745D1	4-9	506910D1	11-27	507731D1	4-41
506746D1	4-9	506911D1	11-24	507731D1	7-1
506747D1	4-9	506912D1	11-25	508196D1	4-20
506785D1	4-101	506912D1	11-34	508196D1	4-22
506785D1	4-102	506912D1	11-36	508196D1	4-23
506786D1	4-105	506913D1	11-52	508196D1	4-29
506786D1	4-106	506913D1	11-61	508197D1	4-21
506786D1	4-209	506914D1	11-25	508278D1	11-27
506796D1	4-112	506921D1	11-25	508279D1	11-61
506796D1	4-113	506922D1	11-26	508280D1	11-61
506805D1	4-115	506923D1	11-26	508293D1	11-57
506805D1	4-116	506924D1	11-26	508294D1	11-57
506805D1	4-117	506925D1	11-52	508294D1	11-76
506805D1	4-163	506929D1	11-52	508618D1	6-71
506805D1	4-164	506943D1	11-26	508618D1	6-72
506805D1	4-192	507003D1	6-22	508662D1	4-41
506805D1	4-225	507004D1	6-22	508663D1	4-42
506805D1	4-226	507025D1	6-22	508664D1	4-42
506806D1	4-118	507308D1	6-61	508665D1	4-42
506806D1	4-233	507354D1	6-34	508666D1	4-42
506807D1	4-132	507356D1	6-33	508671D1	4-18
506807D1	4-133	507356D1	6-34	508671D1	4-200
506808D1	4-135	507356D1	6-36	508671D1	4-6
506808D1	4-197	507356D1	6-8	508671D1	4-9
506845D1	2-6	507412D1	5-25	508756D1	7-1
506845D1	4-33	507413D1	5-25	508757D1	7-4
506846D1	2-7	507414D1	5-25	508857D1	4-44
506857D1	8-13	507415D1	5-25	508869D1	3-21
506873D1	4-28	507416D1	5-25	508869D1	3-25
506874D1	4-29	507417D1	5-25	509020D1	4-195
506892D1	6-20	507418D1	5-25	509027D1	11-53
506892D1	6-40	507419D1	5-25	509058D1	4-139
506892D1	6-41	507420D1	5-25	509058D1	4-140
506892D1	6-50	507421D1	5-25	509261D1	4-41
506892D1	6-71	507422D1	5-25	509262D1	4-40
506894D1	6-40	507423D1	5-25	509263D1	4-40
506894D1	6-41	507424D1	5-25	509264D1	4-40
506895D1	6-41	507425D1	5-25	509265D1	4-44
506896D1	11-62	507426D1	5-25	509267D1	4-44

NUMERIC INDEX

509268D1	4-44	509889D1	4-10	509961D1	4-14
509269D1	4-44	509889D1	4-12	509964D1	6-41
509270D1	4-44	509890D1	4-10	509996D1	4-154
509280D1	4-44	509890D1	4-12	509996D1	4-199
509280D1	6-31	509891D1	4-12	509997D1	4-149
509280D1	6-43	509892D1	4-10	509999D1	4-10
509394D1	6-13	509892D1	4-12	509999D1	4-12
509414D1	11-29	509892D1	4-13	509999D1	4-13
509414D1	6-30	509892D1	4-14	509999D1	4-14
509414D1	6-31	509892D1	4-18	511036D1	4-12
509414D1	6-32	509892D1	4-200	511036D1	4-14
509415D1	6-5	509893D1	4-10	511037D1	4-12
509416D1	6-5	509893D1	4-12	511037D1	4-14
509417D1	6-2	509893D1	4-13	511038D1	4-12
509417D1	6-32	509893D1	4-14	511038D1	4-14
509417D1	6-7	509893D1	4-18	511039D1	4-12
509418D1	6-7	509893D1	4-200	511039D1	4-14
509480D1	6-18	509894D1	4-10	511040D1	4-12
509713D1	6-2	509894D1	4-12	511040D1	4-14
509724D1	4-10	509894D1	4-13	511041D1	4-12
509724D1	4-12	509894D1	4-14	511041D1	4-14
509725D1	2-5	509894D1	4-18	511043D1	4-172
509725D1	4-11	509894D1	4-200	511043D1	4-173
509881D1	4-142	509895D1	4-18	511044D1	4-176
509881D1	4-239	509895D1	4-200	511153D1	4-10
509882D1	4-144	509896D1	4-10	511153D1	4-12
509882D1	4-145	509896D1	4-12	511153D1	4-13
509882D1	4-171	509896D1	4-13	511153D1	4-14
509882D1	4-182	509896D1	4-14	511154D1	4-12
509882D1	4-183	509896D1	4-18	511154D1	4-14
509882D1	4-188	509896D1	4-200	511432D1	4-143
509882D1	4-214	509921D1	11-22	511432D1	4-158
509883D1	4-147	509921D1	5-68	511432D1	4-170
509883D1	4-148	509921D1	5-72	511432D1	4-212
509884D1	4-146	509953D1	4-10	511432D1	4-213
509884D1	4-154	509953D1	4-12	511432D1	4-217
509884D1	4-229	509953D1	4-13	511432D1	4-229
509885D1	4-151	509953D1	4-14	511432D1	4-232
509885D1	4-152	509955D1	4-10	511433D1	4-159
509885D1	4-162	509955D1	4-12	511434D1	4-14
509885D1	4-168	509955D1	4-13	511435D1	4-10
509885D1	4-184	509955D1	4-14	511435D1	4-13
509885D1	4-185	509956D1	4-10	511436D1	4-10
509885D1	4-198	509956D1	4-12	511437D1	4-10
509885D1	4-210	509957D1	4-10	511437D1	4-13
509885D1	4-211	509957D1	4-13	511438D1	4-10
509885D1	4-230	509958D1	4-18	511438D1	4-12
509886D1	4-155	509959D1	4-10	511439D1	4-10
509886D1	4-156	509959D1	4-12	511439D1	4-13
509887D1	4-10	509959D1	4-13	511440D1	4-10
509887D1	4-12	509959D1	4-14	511440D1	4-13
509887D1	4-13	509959D1	4-18	511441D1	4-10
509887D1	4-14	509960D1	4-10	511441D1	4-13
509887D1	4-18	509960D1	4-12	511442D1	4-10
509887D1	4-200	509960D1	4-13	511442D1	4-13
509888D1	4-10	509960D1	4-14	511490D1	4-13
509888D1	4-12	509961D1	4-10	511490D1	4-14
509888D1	4-13	509961D1	4-12	511491D1	4-13
509888D1	4-14	509961D1	4-13	511491D1	4-14

NUMERIC INDEX

511492D1	4-14	511675D1	4-18	512413D1	4-19
511493D1	4-10	511675D1	4-200	512414D1	4-19
511493D1	4-13	511687D1	4-169	512415D1	4-201
511494D1	4-13	511687D1	4-215	512416D1	4-201
511494D1	4-14	511687D1	4-218	512476D1	5-3
511495D1	4-13	511687D1	4-219	512478D1	3-27
511495D1	4-14	511688D1	4-18	512479D1	3-28
511496D1	4-13	511688D1	4-200	512480D1	3-29
511497D1	4-10	511689D1	4-10	512480D1	3-34
511497D1	4-12	511689D1	4-12	512481D1	3-30
511497D1	4-13	511689D1	4-13	512482D1	3-28
511497D1	4-14	511689D1	4-14	512483D1	3-31
511497D1	4-18	511689D1	4-18	512483D1	3-33
511497D1	4-200	511736D1	7-1	512493D1	4-14
511498D1	4-13	511763D1	4-202	512518D1	5-12
511498D1	4-14	511765D1	4-10	512519D1	5-13
511589D1	4-19	511765D1	4-12	512519D1	5-14
511589D1	4-201	511765D1	4-13	512519D1	5-40
511590D1	4-202	511765D1	4-14	512520D1	5-13
511593D1	4-201	511765D1	4-18	512521D1	5-12
511594D1	4-201	511765D1	4-200	512521D1	5-36
511595D1	4-201	511801D1	6-58	512522D1	5-12
511596D1	4-201	511801D1	6-69	512522D1	5-36
511597D1	4-19	511802D1	6-61	512544D1	11-11
511598D1	4-19	511820D1	4-19	512544D1	11-13
511601D1	4-18	511821D1	4-220	512544D1	11-2
511601D1	4-200	511822D1	4-19	512544D1	11-4
511602D1	4-18	511823D1	4-207	512544D1	5-13
511602D1	4-200	511823D1	4-208	512545D1	11-2
511603D1	4-18	511877D1	3-21	512545D1	11-3
511603D1	4-200	511877D1	3-25	512545D1	5-13
511604D1	4-18	511922D1	6-47	512545D1	5-14
511604D1	4-200	511923D1	6-45	512546D1	11-2
511605D1	4-18	511924D1	11-79	512546D1	11-3
511617D1	4-18	511924D1	6-45	512546D1	5-13
511617D1	4-200	511924D1	6-46	512546D1	5-14
511621D1	4-157	511924D1	6-64	512547D1	11-11
511622D1	4-157	511924D1	6-66	512547D1	11-13
511623D1	11-29	511928D1	6-63	512547D1	11-2
511623D1	6-42	511928D1	6-64	512547D1	11-4
511623D1	6-43	511928D1	6-66	512547D1	5-13
511623D1	6-44	511929D1	6-65	512548D1	11-11
511624D1	4-18	511929D1	6-66	512548D1	11-13
511624D1	4-200	511930D1	6-63	512548D1	11-2
511643D1	4-203	511930D1	6-64	512548D1	11-39
511643D1	4-204	511930D1	6-66	512548D1	11-4
511644D1	4-203	511931D1	6-63	512548D1	11-40
511644D1	4-204	511931D1	6-64	512548D1	11-41
511644D1	4-205	511931D1	6-65	512548D1	11-44
511644D1	4-206	511931D1	6-66	512548D1	11-45
511644D1	4-207	511963D1	11-64	512548D1	11-46
511644D1	4-208	511965D1	11-64	512548D1	5-13
511645D1	4-203	511966D1	11-64	512549D1	11-11
511645D1	4-204	511967D1	11-63	512549D1	11-13
511651D1	4-205	511967D1	11-65	512549D1	11-2
511651D1	4-206	512145D1	6-45	512549D1	11-4
511651D1	4-207	512220D1	6-58	512549D1	5-13
511651D1	4-208	512375D1	6-13	512550D1	11-11
511672D1	4-201	512412D1	4-19	512550D1	11-13

NUMERIC INDEX

512550D1	11-2	512699D1	6-73	513297D1	4-138
512550D1	11-4	512740D1	3-56	513448D1	3-21
512550D1	5-13	512740D1	3-57	513448D1	3-25
512551D1	5-13	512744D1	11-11	513461D1	3-32
512555D1	4-174	512744D1	11-13	513462D1	3-32
512555D1	4-175	512744D1	11-2	513463D1	3-32
512599D1	3-32	512744D1	11-4	513464D1	11-43
512600D1	11-1	512767D1	4-44	513464D1	3-34
512600D1	5-11	512771D1	11-19	513465D1	11-43
512601D1	11-1	512771D1	11-20	513465D1	3-34
512601D1	5-11	512771D1	11-8	513466D1	3-35
512602D1	11-1	512771D1	11-9	513467D1	11-11
512603D1	11-11	512791D1	3-1	513468D1	11-11
512603D1	11-14	512791D1	3-2	513468D1	11-12
512603D1	11-2	512850D1	5-77	513468D1	11-39
512603D1	11-5	512851D1	5-73	513468D1	11-40
512603D1	5-28	512851D1	5-76	513468D1	11-41
512604D1	11-2	512851D1	5-78	513468D1	11-42
512605D1	11-11	512851D1	5-79	513468D1	11-44
512605D1	11-12	512851D1	5-80	513468D1	11-45
512605D1	11-13	512852D1	5-73	513468D1	11-46
512605D1	11-14	512852D1	5-76	513468D1	11-47
512605D1	11-2	512852D1	5-78	513816D1	4-12
512605D1	11-3	512852D1	5-79	513817D1	4-12
512605D1	11-4	512852D1	5-80	514258D1	3-39
512605D1	11-5	512853D1	5-76	514264D1	3-39
512605D1	5-28	512854D1	5-77	514264D1	3-40
512606D1	11-11	512855D1	5-76	514265D1	3-20
512606D1	11-14	512858D1	5-46	514265D1	3-24
512606D1	11-2	512860D1	5-51	514332D1	3-19
512606D1	11-5	512862D1	5-76	514332D1	3-20
512607D1	11-11	512868D1	3-13	514332D1	3-22
512607D1	11-14	512868D1	3-17	514333D1	3-23
512607D1	11-2	512868D1	3-5	514333D1	3-24
512607D1	11-5	512868D1	3-9	514333D1	3-26
512608D1	11-11	512869D1	6-48	514339D1	3-20
512608D1	11-14	513013D1	5-55	514339D1	3-24
512608D1	11-2	513014D1	5-78	514528D1	3-39
512608D1	11-5	513015D1	5-78	514531D1	3-39
512609D1	11-11	513020D1	4-43	514532D1	3-39
512609D1	11-14	513021D1	4-41	514535D1	3-39
512609D1	11-2	513128D1	5-79	514560D1	5-32
512609D1	11-5	513129D1	5-79	514560D1	5-81
512610D1	11-11	513130D1	5-79	514655D1	3-38
512610D1	11-14	513152D1	5-80	514714D1	5-33
512610D1	11-2	513153D1	5-73	514715D1	3-40
512610D1	11-5	513153D1	5-80	514715D1	3-41
512611D1	11-11	513209D1	5-58	514715D1	3-53
512611D1	11-13	513231D1	5-73	514836D1	3-41
512611D1	11-2	513232D1	5-73	514837D1	3-48
512611D1	11-4	513272D1	3-12	514842D1	3-41
512611D1	11-44	513272D1	3-4	514843D1	3-40
512611D1	11-45	513273D1	3-16	514843D1	3-41
512611D1	11-46	513273D1	3-8	514846D1	3-37
512612D1	11-11	513297D1	11-89	514991D1	6-51
512612D1	11-14	513297D1	11-90	514992D1	6-51
512612D1	11-2	513297D1	11-91	514994D1	7-7
512612D1	11-5	513297D1	11-92	514995D1	3-37
512658D1	3-30	513297D1	4-136	514996D1	11-30

NUMERIC INDEX

515129D1	5-43	516990D1	11-73	518327D1	11-40
515130D1	5-68	516990D1	11-76	518327D1	11-44
515132D1	11-77	516991D1	11-53	518327D1	11-45
515133D1	5-72	516991D1	11-57	518328D1	11-41
515197D1	3-12	516991D1	11-58	518328D1	11-46
515197D1	3-16	516991D1	11-73	518329D1	11-39
515416D1	3-37	516991D1	11-76	518329D1	11-40
515422D1	3-48	516992D1	11-54	518329D1	11-41
515573D1	3-41	516992D1	11-55	518860D1	3-11
515573D1	3-48	517005D1	11-58	518860D1	3-12
515575D1	3-48	517005D1	11-76	518860D1	3-14
515578D1	3-48	517006D1	11-58	518860D1	3-3
515600D1	3-48	517006D1	11-76	518860D1	3-4
515615D1	3-53	517007D1	11-59	518860D1	3-6
515930D1	5-33	517007D1	11-60	518861D1	3-10
515995D	2-30	517010D1	11-48	518861D1	3-15
516006D1	6-17	517010D1	5-69	518861D1	3-16
516006D1	6-44	517156D1	3-20	518861D1	3-18
516006D1	6-55	517156D1	3-24	518861D1	3-7
516452D1	4-196	517308D1	11-48	518861D1	3-8
516475D1	2-19	517308D1	11-49	519079D1	4-43
516475D1	2-30	517308D1	5-69	519134D1	2-30
516476D1	2-30	517404D1	6-62	519247D1	6-17
516477D1	2-30	517405D1	2-1	519270D1	11-53
516480D1	2-19	517405D1	2-3	519271D1	11-56
516481D1	2-19	517405D1	2-7	519330D1	11-22
516511D1	11-81	517405D1	4-25	519332D1	11-75
516512D1	11-21	517520D1	3-20	519340D1	11-50
516605D1	11-78	517520D1	3-24	519368D1	5-36
516605D1	11-79	517729D1	6-26	519372D1	5-11
516605D1	11-80	517729D1	6-27	519380D1	4-41
516607D1	11-83	518023D1	3-37	520331D1	6-17
516607D1	11-85	518024D1	3-36	520331D1	6-44
516609D1	11-83	518025D1	3-37	520331D1	6-55
516609D1	11-84	518026D1	3-41	520487D1	4-19
516622D1	3-19	518027D1	3-39	520488D1	4-19
516622D1	3-20	518290D1	5-65	520540D1	4-231
516622D1	3-21	518291D1	5-65	520541D1	4-200
516622D1	3-22	518292D1	5-65	520542D1	4-200
516623D1	3-23	518293D1	11-43	520543D1	4-200
516623D1	3-24	518294D1	11-39	520544D1	4-200
516623D1	3-25	518295D1	11-44	520580D1	10-2
516623D1	3-26	518298D1	5-67	520580D1	10-5
516624D1	3-51	518299D1	5-71	520580D1	10-7
516625D1	3-49	518324D1	11-39	520581D1	4-201
516815D1	3-66	518324D1	11-44	520582D1	4-201
516934D1	3-50	518325D1	11-39	520583D1	2-5
516934D1	3-52	518325D1	11-40	520583D1	4-11
516967D1	11-34	518325D1	11-41	520626D1	4-18
516968D1	11-36	518325D1	11-44	520626D1	4-200
516969D1	11-33	518325D1	11-45	520634D1	4-18
516969D1	11-50	518325D1	11-46	520635D1	4-200
516970D1	11-33	518326D1	11-39	520705D1	11-73
516970D1	11-50	518326D1	11-40	520706D1	4-238
516971D1	11-74	518326D1	11-41	520754D1	1-1
516972D1	11-33	518326D1	11-44	520755D1	1-2
516990D1	11-53	518326D1	11-45	520756D1	1-4
516990D1	11-57	518326D1	11-46	520756D1	1-6
516990D1	11-58	518327D1	11-39	520811D1	4-14

NUMERIC INDEX

520864D1	6-21	AG000772	2-4	AG000803	2-24
520893D1	4-200	AG000772	2-5	AG000823	1-20
520901D1	4-201	AG000772	2-7	AG000824	1-22
520952D1	2-19	AG000772	4-11	AG000829	1-20
521070D1	6-73	AG000772	4-17	AG000830	1-22
6623263	3-43	AG000772	4-2	AG001260	8-2
6623263	3-45	AG000772	4-202	AG002309	1-10
6623263	3-50	AG000772	4-25	AG002435	11-66
6623263	3-52	AG000772	4-40	AG002435	11-68
6626327	6-18	AG000772	4-41	AG002435	11-70
6626401	3-12	AG000772	4-44	AG005168	2-17
6626401	3-16	AG000773	10-8	AG005492	1-22
6626401	3-4	AG000773	11-30	AG005536	2-17
6626401	3-43	AG000773	11-51	AG005662	2-24
6626401	3-45	AG000773	2-2	AG005687	2-17
6626401	3-46	AG000773	2-20	AG006175	2-17
6626401	3-50	AG000773	2-22	AG006500	2-17
6626401	3-52	AG000773	2-25	AG006504	2-17
6626401	3-8	AG000773	2-4	AG006518	4-43
6630367	4-41	AG000773	2-5	AG006573	2-29
6670277	1-9	AG000773	2-6	AG006573	2-31
6672457	1-9	AG000773	2-7	AG006573	2-33
6804681	1-9	AG000773	4-11	AG006577	2-29
AG000313	2-17	AG000773	4-17	AG006578	1-21
AG000338	2-17	AG000773	4-196	AG006578	2-15
AG000346	2-17	AG000773	4-2	AG006581	1-21
AG000349	2-17	AG000773	4-202	AG006581	2-15
AG000482	2-17	AG000773	4-24	AG006582	1-21
AG000766	10-3	AG000773	4-25	AG006670	4-44
AG000766	11-28	AG000773	4-26	AG006671	10-9
AG000766	11-72	AG000773	4-27	AG006671	4-44
AG000766	1-8	AG000773	4-33	AG006947	2-17
AG000766	2-3	AG000773	4-40	AG006990	2-17
AG000766	2-4	AG000773	4-41	AG006991	2-17
AG000766	2-5	AG000773	7-1	AG006992	2-17
AG000766	4-11	AG000780	2-29	AG006993	2-17
AG000766	4-17	AG000780	2-31	AG006995	2-17
AG000766	4-186	AG000780	2-33	AG006997	2-17
AG000766	4-187	AG000789	2-29	AG007002	2-17
AG000766	4-202	AG000789	2-31	AG007004	2-17
AG000766	4-43	AG000789	2-33	AG007006	2-17
AG000766	4-49	AG000790	2-29	AG007007	2-17
AG000766	4-50	AG000790	2-31	AG007008	2-17
AG000766	4-51	AG000790	2-33	AG007009	2-17
AG000767	10-8	AG000793	2-29	AG007010	2-17
AG000767	11-51	AG000793	2-31	AG007170	2-17
AG000767	1-23	AG000793	2-33	AG007470	2-29
AG000767	1-27	AG000794	1-21	AG007470	2-31
AG000767	1-31	AG000794	2-15	AG007470	2-33
AG000768	1-23	AG000795	2-15	AG007474	2-24
AG000768	1-27	AG000795	2-24	AG007489	2-29
AG000768	1-31	AG000796	1-21	AG007489	2-31
AG000768	1-8	AG000796	2-15	AG007489	2-33
AG000768	4-43	AG000796	2-24	AG007505	1-10
AG000772	11-28	AG000801	1-21	AG007558	2-24
AG000772	11-72	AG000801	2-15	AG007566	2-24
AG000772	2-1	AG000801	2-24	AG007568	2-24
AG000772	2-13	AG000803	1-21	AG007578	1-21
AG000772	2-3	AG000803	2-15	AG007578	2-15

NUMERIC INDEX

AG007579	2-33	AG027274	4-104	AG027275	4-119
AG007580	2-31	AG027274	4-107	AG027275	4-120
AG007580	2-33	AG027274	4-120	AG027275	4-121
AG007657	2-17	AG027274	4-121	AG027275	4-122
AG007785	8-2	AG027274	4-129	AG027275	4-128
AG010220	3-1	AG027274	4-142	AG027275	4-129
AG010220	3-2	AG027274	4-143	AG027275	4-139
AG010220	3-43	AG027274	4-144	AG027275	4-140
AG010220	3-45	AG027274	4-145	AG027275	4-143
AG010220	3-50	AG027274	4-154	AG027275	4-144
AG010220	3-52	AG027274	4-155	AG027275	4-145
AG010354	4-1	AG027274	4-156	AG027275	4-146
AG010354	4-4	AG027274	4-158	AG027275	4-147
AG027273	4-100	AG027274	4-159	AG027275	4-148
AG027273	4-101	AG027274	4-170	AG027275	4-149
AG027273	4-102	AG027274	4-182	AG027275	4-150
AG027273	4-103	AG027274	4-183	AG027275	4-151
AG027273	4-104	AG027274	4-199	AG027275	4-152
AG027273	4-107	AG027274	4-212	AG027275	4-154
AG027273	4-120	AG027274	4-213	AG027275	4-155
AG027273	4-121	AG027274	4-214	AG027275	4-156
AG027273	4-129	AG027274	4-215	AG027275	4-162
AG027273	4-142	AG027274	4-217	AG027275	4-168
AG027273	4-143	AG027274	4-218	AG027275	4-169
AG027273	4-144	AG027274	4-219	AG027275	4-171
AG027273	4-145	AG027274	4-229	AG027275	4-182
AG027273	4-154	AG027274	4-232	AG027275	4-183
AG027273	4-155	AG027274	4-236	AG027275	4-184
AG027273	4-156	AG027274	4-237	AG027275	4-185
AG027273	4-158	AG027274	4-239	AG027275	4-188
AG027273	4-159	AG027274	4-85	AG027275	4-194
AG027273	4-170	AG027274	4-86	AG027275	4-195
AG027273	4-182	AG027274	4-93	AG027275	4-198
AG027273	4-183	AG027274	4-94	AG027275	4-209
AG027273	4-199	AG027274	4-96	AG027275	4-210
AG027273	4-212	AG027274	4-98	AG027275	4-211
AG027273	4-213	AG027274	6-26	AG027275	4-213
AG027273	4-214	AG027274	6-27	AG027275	4-215
AG027273	4-215	AG027274	6-35	AG027275	4-217
AG027273	4-217	AG027274	6-47	AG027275	4-218
AG027273	4-218	AG027275	1-16	AG027275	4-219
AG027273	4-219	AG027275	2-20	AG027275	4-229
AG027273	4-229	AG027275	2-3	AG027275	4-230
AG027273	4-232	AG027275	2-6	AG027275	4-231
AG027273	4-236	AG027275	3-36	AG027275	4-235
AG027273	4-237	AG027275	3-63	AG027275	4-239
AG027273	4-239	AG027275	3-64	AG027275	4-24
AG027273	4-85	AG027275	4-1	AG027275	4-25
AG027273	4-86	AG027275	4-100	AG027275	4-26
AG027273	4-93	AG027275	4-101	AG027275	4-27
AG027273	4-94	AG027275	4-102	AG027275	4-33
AG027273	4-96	AG027275	4-103	AG027275	4-4
AG027273	4-98	AG027275	4-104	AG027275	4-46
AG027274	3-65	AG027275	4-105	AG027275	4-47
AG027274	3-66	AG027275	4-106	AG027275	4-48
AG027274	4-100	AG027275	4-107	AG027275	4-49
AG027274	4-101	AG027275	4-108	AG027275	4-50
AG027274	4-102	AG027275	4-109	AG027275	4-51
AG027274	4-103	AG027275	4-110	AG027275	4-55

NUMERIC INDEX

AG027275	4-56	AG050273	4-186	AG051059	4-134
AG027275	4-57	AG050273	4-187	AG051059	4-157
AG027275	4-58	AG050273	4-49	AG051059	4-160
AG027275	4-59	AG050273	4-50	AG051059	4-181
AG027275	4-60	AG050275	1-8	AG051059	4-2
AG027275	4-69	AG050275	2-3	AG051059	4-202
AG027275	4-78	AG050394	2-11	AG051059	4-216
AG027275	4-85	AG050474	2-23	AG051059	4-222
AG027275	4-86	AG050475	4-45	AG051059	4-223
AG027275	4-87	AG050513	4-45	AG051059	4-227
AG027275	4-88	AG050514	4-45	AG051059	4-99
AG027275	4-91	AG050515	4-45	AG051125	1-17
AG027275	4-92	AG050516	4-45	AG051125	1-19
AG027275	4-94	AG050517	4-45	AG051126	4-228
AG027275	4-95	AG050518	4-45	AG051126	4-234
AG027275	4-96	AG050519	4-45	AG051126	8-10
AG027275	4-97	AG050520	4-45	AG051126	8-11
AG027275	6-18	AG050521	2-23	AG051126	8-12
AG027275	6-26	AG050522	2-23	AG051127	11-66
AG027275	6-27	AG050523	2-23	AG051127	11-70
AG027275	6-35	AG050524	2-23	AG051127	4-112
AG027275	6-51	AG050525	2-23	AG051127	4-113
AG027275	7-2	AG050526	2-23	AG051127	4-114
AG027275	7-4	AG050527	2-23	AG051127	4-115
AG027275	7-7	AG050528	2-23	AG051127	4-116
AG029233	6-34	AG050680	1-17	AG051127	4-123
AG029293	7-2	AG050680	1-19	AG051127	4-125
AG050205	10-9	AG050681	2-10	AG051127	4-126
AG050205	11-68	AG050683	1-17	AG051127	4-130
AG050205	4-44	AG050683	1-19	AG051127	4-132
AG050206	1-17	AG050689	1-23	AG051127	4-133
AG050206	1-19	AG050689	1-27	AG051127	4-165
AG050206	8-1	AG050689	1-31	AG051127	4-166
AG050209	8-2	AG050692	1-23	AG051127	4-203
AG050253	10-3	AG050692	1-27	AG051127	4-204
AG050253	2-3	AG050692	1-31	AG051127	4-205
AG050253	4-43	AG050692	1-8	AG051127	4-206
AG050257	10-9	AG051057	4-227	AG051127	4-207
AG050257	4-49	AG051059	10-5	AG051127	4-208
AG050257	4-50	AG051059	1-25	AG051127	4-222
AG050257	4-51	AG051059	1-26	AG051127	4-223
AG050259	1-17	AG051059	1-29	AG051127	4-225
AG050259	1-19	AG051059	1-30	AG051127	4-226
AG050260	11-28	AG051059	1-33	AG051128	4-163
AG050262	4-220	AG051059	1-34	AG051128	4-164
AG050264	4-2	AG051059	2-1	AG051128	4-165
AG050266	2-4	AG051059	4-111	AG051128	4-166
AG050266	2-5	AG051059	4-112	AG051128	4-172
AG050266	4-11	AG051059	4-113	AG051128	4-173
AG050266	4-17	AG051059	4-115	AG051128	4-174
AG050266	4-202	AG051059	4-116	AG051128	4-175
AG050269	1-23	AG051059	4-118	AG051128	4-203
AG050269	1-27	AG051059	4-123	AG051128	4-204
AG050269	1-31	AG051059	4-124	AG051128	4-221
AG050271	11-28	AG051059	4-125	AG051128	4-49
AG050271	2-4	AG051059	4-126	AG051128	4-50
AG050271	4-17	AG051059	4-131	AG051131	4-157
AG050271	4-202	AG051059	4-132	AG051131	4-20
AG050273	10-3	AG051059	4-133	AG051131	4-29

NUMERIC INDEX

AG051133	11-66	AG051153	4-124	AG051180	8-15
AG051133	11-68	AG051153	4-125	AG051180	8-16
AG051133	2-1	AG051153	4-126	AG051180	8-17
AG051133	2-3	AG051153	4-130	AG051180	8-6
AG051133	2-7	AG051153	4-131	AG051180	8-7
AG051133	4-25	AG051153	4-132	AG051180	8-8
AG051134	10-2	AG051153	4-133	AG051180	8-9
AG051134	10-7	AG051153	4-134	AG051181	10-9
AG051134	1-8	AG051153	4-160	AG051181	4-180
AG051134	2-22	AG051153	4-165	AG051181	4-189
AG051134	4-196	AG051153	4-166	AG051181	4-227
AG051135	10-2	AG051153	4-181	AG051181	4-228
AG051135	10-4	AG051153	4-216	AG051181	4-234
AG051135	10-7	AG051153	4-222	AG051182	1-23
AG051135	1-25	AG051153	4-223	AG051182	1-27
AG051135	1-26	AG051153	4-225	AG051182	1-31
AG051135	1-29	AG051153	4-226	AG051182	1-8
AG051135	1-30	AG051153	4-99	AG051182	8-1
AG051135	1-33	AG051161	10-2	AG051183	10-5
AG051135	1-34	AG051161	10-5	AG051183	2-4
AG051135	1-8	AG051161	10-7	AG051183	4-114
AG051136	1-8	AG051161	11-68	AG051183	4-130
AG051138	1-23	AG051161	4-180	AG051183	4-17
AG051138	1-27	AG051161	4-189	AG051183	4-225
AG051138	1-31	AG051162	1-9	AG051183	4-226
AG051138	1-8	AG051162	4-117	AG051183	4-40
AG051139	11-66	AG051162	4-135	AG051185	4-117
AG051139	11-68	AG051162	4-141	AG051185	4-135
AG051139	11-70	AG051162	4-161	AG051185	4-141
AG051142	11-66	AG051162	4-167	AG051185	4-179
AG051142	11-68	AG051162	4-176	AG051185	4-192
AG051142	11-70	AG051162	4-177	AG051185	4-197
AG051142	2-14	AG051162	4-179	AG051185	4-205
AG051143	4-44	AG051162	4-192	AG051185	4-206
AG051145	10-2	AG051162	4-197	AG051185	4-207
AG051145	10-7	AG051162	4-205	AG051185	4-208
AG051145	10-9	AG051162	4-206	AG051185	4-233
AG051145	1-23	AG051162	4-207	AG051185	4-240
AG051145	1-27	AG051162	4-208	AG051186	4-117
AG051145	1-31	AG051162	4-224	AG051186	4-135
AG051145	1-8	AG051162	4-233	AG051186	4-141
AG051146	10-2	AG051170	4-227	AG051186	4-161
AG051146	10-3	AG051170	4-228	AG051186	4-163
AG051146	10-7	AG051170	4-234	AG051186	4-164
AG051149	1-17	AG051170	4-240	AG051186	4-165
AG051149	1-19	AG051172	4-240	AG051186	4-166
AG051151	10-2	AG051172	4-49	AG051186	4-167
AG051151	10-5	AG051172	4-50	AG051186	4-172
AG051151	10-7	AG051174	8-2	AG051186	4-173
AG051151	11-68	AG051175	4-190	AG051186	4-174
AG051153	1-8	AG051176	11-66	AG051186	4-175
AG051153	4-111	AG051176	11-68	AG051186	4-176
AG051153	4-112	AG051176	11-70	AG051186	4-177
AG051153	4-113	AG051179	11-66	AG051186	4-179
AG051153	4-114	AG051180	8-10	AG051186	4-192
AG051153	4-115	AG051180	8-11	AG051186	4-197
AG051153	4-116	AG051180	8-12	AG051186	4-203
AG051153	4-118	AG051180	8-13	AG051186	4-204
AG051153	4-123	AG051180	8-14	AG051186	4-205

NUMERIC INDEX

AG051186	4-206	AG051534	4-220	AG051536	4-174
AG051186	4-207	AG051534	4-49	AG051536	4-175
AG051186	4-208	AG051534	4-50	AG051536	4-176
AG051186	4-221	AG051534	4-51	AG051536	4-177
AG051186	4-224	AG051535	4-61	AG051536	4-178
AG051186	4-233	AG051535	4-62	AG051536	4-179
AG051186	4-240	AG051535	4-63	AG051536	4-180
AG051186	4-49	AG051535	4-64	AG051536	4-181
AG051186	4-50	AG051535	4-65	AG051536	4-186
AG051435	4-228	AG051535	4-66	AG051536	4-187
AG051435	4-234	AG051535	4-67	AG051536	4-189
AG051436	11-66	AG051535	4-68	AG051536	4-192
AG051436	11-70	AG051535	4-70	AG051536	4-197
AG051436	4-180	AG051535	4-71	AG051536	4-203
AG051436	4-189	AG051535	4-72	AG051536	4-204
AG051437	4-117	AG051535	4-73	AG051536	4-205
AG051437	4-135	AG051535	4-74	AG051536	4-206
AG051437	4-141	AG051535	4-75	AG051536	4-207
AG051437	4-161	AG051535	4-76	AG051536	4-208
AG051437	4-163	AG051535	4-77	AG051536	4-216
AG051437	4-164	AG051535	4-79	AG051536	4-221
AG051437	4-165	AG051535	4-80	AG051536	4-222
AG051437	4-166	AG051535	4-81	AG051536	4-223
AG051437	4-167	AG051535	4-82	AG051536	4-224
AG051437	4-172	AG051535	4-83	AG051536	4-225
AG051437	4-173	AG051535	4-84	AG051536	4-226
AG051437	4-174	AG051536	1-23	AG051536	4-227
AG051437	4-175	AG051536	1-27	AG051536	4-228
AG051437	4-176	AG051536	1-31	AG051536	4-233
AG051437	4-177	AG051536	4-111	AG051536	4-234
AG051437	4-179	AG051536	4-112	AG051536	4-240
AG051437	4-192	AG051536	4-113	AG051536	4-99
AG051437	4-197	AG051536	4-114	AG051573	11-30
AG051437	4-203	AG051536	4-115	AG051573	2-20
AG051437	4-204	AG051536	4-116	AG051573	7-1
AG051437	4-205	AG051536	4-117	AG051740	2-1
AG051437	4-206	AG051536	4-118	AG051740	2-3
AG051437	4-207	AG051536	4-123	AG051740	2-7
AG051437	4-208	AG051536	4-124	AG051740	4-25
AG051437	4-221	AG051536	4-125	AG051740	8-2
AG051437	4-224	AG051536	4-126	AG051822	2-15
AG051437	4-233	AG051536	4-130	AG051850	4-240
AG051438	1-8	AG051536	4-131	AG051884	4-61
AG051439	2-3	AG051536	4-132	AG051884	4-62
AG051442	4-124	AG051536	4-133	AG051884	4-63
AG051442	4-227	AG051536	4-134	AG051884	4-64
AG051442	4-99	AG051536	4-135	AG051884	4-65
AG051443	4-153	AG051536	4-141	AG051884	4-66
AG051443	4-51	AG051536	4-153	AG051884	4-67
AG051533	10-3	AG051536	4-157	AG051884	4-68
AG051533	2-3	AG051536	4-160	AG051884	4-70
AG051533	4-186	AG051536	4-161	AG051884	4-71
AG051533	4-187	AG051536	4-163	AG051884	4-72
AG051533	4-202	AG051536	4-164	AG051884	4-73
AG051534	10-3	AG051536	4-165	AG051884	4-74
AG051534	2-4	AG051536	4-166	AG051884	4-75
AG051534	4-153	AG051536	4-167	AG051884	4-76
AG051534	4-17	AG051536	4-172	AG051884	4-77
AG051534	4-178	AG051536	4-173	AG051884	4-79

NUMERIC INDEX

AG051884	4-80	AG053484	4-42	AG056284	4-40
AG051884	4-81	AG053485	4-42	AG056286	11-88
AG051884	4-82	AG053738	11-72	AG056289	2-4
AG051884	4-83	AG053860	1-21	AG056289	2-5
AG051884	4-84	AG053860	2-15	AG056289	4-11
AG051888	2-4	AG054233	2-29	AG056289	4-17
AG051888	2-5	AG054233	2-31	AG056289	4-202
AG051888	4-11	AG054233	2-33	AG056289	4-25
AG051888	4-17	AG054234	1-21	AG056290	11-28
AG051888	4-202	AG054234	2-15	AG056290	11-72
AG051894	2-3	AG054234	2-24	AG056290	4-41
AG051894	2-7	AG054234	2-31	AG056290	4-44
AG051894	4-25	AG054234	2-33	AG056291	2-5
AG051901	8-2	AG054235	1-21	AG056291	2-7
AG051903	11-68	AG054235	2-15	AG056292	11-28
AG051903	4-67	AG054235	2-24	AG056292	11-72
AG051903	4-68	AG054235	2-29	AG056293	11-28
AG051903	4-76	AG054235	2-31	AG056778	11-66
AG051903	4-77	AG054235	2-33	AG056778	11-68
AG051904	2-1	AG054488	1-21	AG056778	1-17
AG051904	4-112	AG054488	2-15	AG056778	11-70
AG051904	4-113	AG054488	2-24	AG056778	1-19
AG051904	4-132	AG054738	1-9	AG056778	2-25
AG051904	4-133	AG054739	10-4	AG056785	11-28
AG051910	4-61	AG054739	1-9	AG056785	11-72
AG051910	4-70	AG054740	1-9	AG056785	2-1
AG051910	4-79	AG054822	2-15	AG056785	2-13
AG051932	4-65	AG055073	2-17	AG056785	2-3
AG051932	4-66	AG055120	2-29	AG056785	2-4
AG051932	4-67	AG055120	2-31	AG056785	2-5
AG051932	4-68	AG055120	2-33	AG056785	2-7
AG051932	4-73	AG055296	4-49	AG056785	4-11
AG051932	4-74	AG055296	4-50	AG056785	4-17
AG051932	4-76	AG055296	4-51	AG056785	4-2
AG051932	4-77	AG055299	4-153	AG056785	4-202
AG051934	8-2	AG055299	4-178	AG056785	4-25
AG051940	4-22	AG055672	1-9	AG056785	4-40
AG051940	4-23	AG055912	4-41	AG056785	4-41
AG052340	4-43	AG056114	2-29	AG056785	4-44
AG052343	11-66	AG056114	2-33	AG057341	2-24
AG052343	4-44	AG056115	2-29	AG057573	11-28
AG052351	4-42	AG056115	2-33	AG057575	2-13
AG052456	2-3	AG056146	2-14	AG057593	2-1
AG052456	2-7	AG056226	2-17	AG057593	2-3
AG052456	4-25	AG056270	2-25	AG057593	2-4
AG052854	2-17	AG056275	11-66	AG057593	2-7
AG053044	2-3	AG056275	11-68	AG057593	4-17
AG053070	11-66	AG056275	1-17	AG057593	4-2
AG053070	11-68	AG056275	11-70	AG057593	4-202
AG053070	11-70	AG056275	1-19	AG057594	4-25
AG053079	1-17	AG056275	2-25	AG057594	4-26
AG053079	1-19	AG056277	11-66	AG057764	2-21
AG053079	4-153	AG056277	1-17	AG057999	11-72
AG053079	4-186	AG056277	11-70	AG058978	2-17
AG053079	4-187	AG056277	1-19	AG058979	2-17
AG053081	4-227	AG056278	1-17	AG059011	2-15
AG053081	4-240	AG056278	1-19	AG059018	11-48
AG053265	4-34	AG056280	11-70	AG059018	11-49
AG053265	4-35	AG056283	11-72	AG059018	5-19

NUMERIC INDEX

AG059018	5-20	AG108617	8-14	AG121750	7-2
AG059018	5-69	AG108617	8-15	AG121752	6-73
AG059018	5-70	AG108617	8-8	AG121862	1-4
AG059020	2-29	AG108617	8-9	AG121864	10-2
AG059020	2-31	AG108618	8-10	AG121864	10-7
AG059020	2-33	AG108618	8-14	AG121868	6-33
AG059106	2-28	AG108618	8-15	AG121868	6-36
AG059148	11-48	AG108618	8-8	AG121868	6-8
AG059148	5-19	AG108618	8-9	AG121882	2-4
AG059148	5-69	AG108622	3-28	AG121882	2-5
AG059545	1-9	AG108622	3-32	AG121882	4-11
AG059565	2-20	AG108622	3-37	AG121882	4-17
AG059565	2-22	AG108659	4-190	AG121882	4-2
AG059566	11-68	AG108935	3-56	AG121882	4-202
AG059570	4-43	AG108935	3-57	AG121882	6-2
AG059580	1-8	AG108935	8-10	AG121882	6-5
AG059581	11-66	AG108935	8-11	AG121882	6-7
AG059581	11-68	AG108935	8-12	AG121883	2-1
AG059581	11-70	AG109190	4-89	AG121883	2-3
AG059582	11-66	AG109953	3-63	AG121883	2-4
AG059582	11-68	AG109953	3-64	AG121883	2-7
AG059665	5-2	AG121042	1-1	AG121883	4-17
AG059914	5-49	AG121042	1-2	AG121883	4-202
AG059917	5-49	AG121042	1-4	AG121883	4-25
AG059917	5-54	AG121042	1-6	AG121883	6-5
AG060056	2-28	AG121093	1-24	AG121920	11-48
AG060083	2-11	AG121382	11-49	AG121920	5-19
AG060084	2-11	AG121382	5-19	AG121920	5-69
AG060085	2-28	AG121382	5-20	AG121921	11-48
AG060231	1-9	AG121382	5-21	AG121921	5-19
AG060702	5-49	AG121382	5-69	AG121921	5-69
AG060702	5-54	AG121444	5-52	AG121922	2-18
AG060921	2-18	AG121461	1-6	AG121922	2-2
AG060921	4-3	AG121462	1-4	AG121922	4-3
AG061231	5-10	AG121462	1-6	AG121923	2-18
AG061231	5-38	AG121463	1-4	AG121924	2-18
AG061235	5-45	AG121465	5-54	AG121924	2-2
AG061236	5-10	AG121483	11-48	AG121924	4-3
AG061236	5-2	AG121483	5-19	AG121925	2-18
AG061236	5-38	AG121483	5-69	AG121925	4-3
AG061236	5-45	AG121484	11-48	AG121926	2-18
AG061236	5-62	AG121484	5-19	AG121926	2-2
AG061236	5-8	AG121484	5-21	AG121926	4-3
AG106152	2-1	AG121484	5-69	AG121926	6-3
AG106152	2-3	AG121485	11-48	AG121927	11-49
AG106152	2-7	AG121485	5-19	AG121927	5-20
AG106152	4-25	AG121485	5-69	AG121927	5-70
AG108268	3-28	AG121486	11-48	AG121929	2-2
AG108268	3-32	AG121486	5-19	AG121929	4-3
AG108268	3-38	AG121486	5-69	AG121930	2-2
AG108316	2-19	AG121489	5-19	AG121930	2-7
AG108316	2-30	AG121495	11-48	AG121934	11-62
AG108337	6-9	AG121495	5-19	AG121951	2-20
AG108486	10-3	AG121495	5-69	AG121956	11-30
AG108487	10-3	AG121525	1-32	AG121956	2-20
AG108604	3-28	AG121716	6-73	AG121959	2-21
AG108604	3-32	AG121750	6-58	AG121960	2-21
AG108604	3-38	AG121750	6-61	AG121961	2-21
AG108617	8-10	AG121750	6-69	AG121962	2-21

NUMERIC INDEX

AG121969	6-73	AG122512	4-1	AG123805	1-32
AG121970	6-73	AG122512	4-5	AG123944	4-89
AG122002	6-73	AG122513	4-6	AG123996	11-51
AG122003	6-73	AG122513	4-8	AG123999	11-51
AG122004	6-73	AG122514	4-1	AG124036	6-28
AG122005	6-73	AG122514	4-5	AG124281	11-28
AG122006	6-73	AG122515	4-5	AG124282	2-19
AG122038	1-15	AG122520	4-6	AG124283	2-19
AG122038	1-24	AG122520	4-8	AG124285	2-19
AG122038	1-28	AG122521	4-12	AG124288	11-28
AG122038	1-32	AG122521	4-18	AG124433	6-52
AG122116	8-5	AG122521	4-200	AG124437	4-44
AG122134	6-73	AG122521	4-6	AG124868	6-73
AG122147	2-4	AG122521	4-8	AG125811	11-48
AG122147	4-17	AG122561	7-2	AG125811	5-19
AG122147	4-2	AG122562	2-20	AG125811	5-69
AG122148	4-1	AG122562	7-7	AG125908	6-45
AG122148	4-4	AG122606	4-8	AG126088	6-46
AG122148	4-5	AG122607	4-8	AG126100	11-66
AG122202	1-6	AG122608	4-6	AG126100	11-68
AG122232	6-73	AG122609	4-8	AG126234	6-58
AG122288	6-67	AG122610	4-6	AG126326	5-1
AG122288	6-68	AG122611	2-20	AG126884	3-12
AG122288	6-69	AG122611	7-4	AG126884	3-13
AG122290	6-45	AG122651	2-10	AG126884	3-16
AG122291	6-45	AG122657	11-15	AG126884	3-17
AG122292	6-45	AG122657	11-17	AG126884	3-20
AG122309	6-26	AG122657	11-18	AG126884	3-21
AG122309	6-27	AG122657	4-28	AG126884	3-25
AG122309	6-35	AG122859	10-2	AG126884	3-4
AG122310	6-58	AG122859	10-5	AG126884	3-5
AG122310	6-61	AG122859	10-7	AG126884	3-8
AG122310	6-69	AG122879	10-5	AG126884	3-9
AG122311	6-35	AG122957	4-6	AG127749	5-2
AG122312	6-45	AG122957	4-8	AG127816	1-23
AG122328	4-1	AG122992	4-59	AG127817	1-31
AG122329	4-1	AG122992	4-60	AG127818	1-27
AG122329	4-4	AG123003	6-67	AG127822	1-6
AG122329	4-5	AG123005	3-31	AG127823	1-4
AG122330	4-1	AG123029	4-2	AG127824	1-2
AG122330	4-4	AG123068	2-14	AG127825	1-15
AG122330	4-5	AG123070	2-16	AG127825	1-24
AG122331	4-1	AG123071	2-16	AG127825	1-28
AG122331	4-4	AG123072	2-16	AG127825	1-32
AG122331	4-5	AG123073	2-16	AG127826	1-24
AG122382	6-73	AG123074	5-59	AG127826	1-28
AG122388	6-73	AG123189	3-65	AG127826	1-32
AG122390	11-19	AG123189	3-66	AG127827	1-15
AG122390	11-20	AG123190	3-65	AG127827	1-24
AG122390	5-37	AG123190	3-66	AG127827	1-32
AG122390	5-39	AG123592	11-51	AG127828	1-15
AG122391	5-61	AG123593	4-89	AG127828	1-24
AG122392	5-35	AG123647	1-16	AG127828	1-32
AG122392	5-9	AG123648	1-16	AG127829	1-28
AG122434	5-62	AG123649	1-16	AG127830	1-28
AG122436	5-10	AG123760	11-29	AG127831	1-15
AG122448	5-38	AG123805	1-15	AG127831	1-24
AG122450	4-4	AG123805	1-24	AG127831	1-28
AG122510	4-127	AG123805	1-28	AG127831	1-32

NUMERIC INDEX

AG127832	1-6	AG129187	1-22	AG129187	4-180
AG127833	1-4	AG129187	1-23	AG129187	4-181
AG127834	1-2	AG129187	1-25	AG129187	4-186
AG127882	1-3	AG129187	1-26	AG129187	4-187
AG127882	1-5	AG129187	1-27	AG129187	4-189
AG127882	1-7	AG129187	1-29	AG129187	4-190
AG128011	1-15	AG129187	1-30	AG129187	4-192
AG128011	1-24	AG129187	1-31	AG129187	4-196
AG128011	1-32	AG129187	1-33	AG129187	4-197
AG128103	1-25	AG129187	1-34	AG129187	4-2
AG128103	1-26	AG129187	1-8	AG129187	4-20
AG128108	1-7	AG129187	2-1	AG129187	4-202
AG128109	1-7	AG129187	2-10	AG129187	4-203
AG128110	1-7	AG129187	2-14	AG129187	4-204
AG128111	1-7	AG129187	2-26	AG129187	4-205
AG128264	1-25	AG129187	2-3	AG129187	4-206
AG128264	1-26	AG129187	2-30	AG129187	4-207
AG128264	1-29	AG129187	2-4	AG129187	4-208
AG128264	1-30	AG129187	2-5	AG129187	4-216
AG128264	1-33	AG129187	2-7	AG129187	4-22
AG128264	1-34	AG129187	4-11	AG129187	4-220
AG128265	1-5	AG129187	4-111	AG129187	4-221
AG128266	1-5	AG129187	4-112	AG129187	4-222
AG128268	1-33	AG129187	4-113	AG129187	4-223
AG128268	1-34	AG129187	4-114	AG129187	4-224
AG128269	1-5	AG129187	4-115	AG129187	4-225
AG128270	1-5	AG129187	4-116	AG129187	4-226
AG128490	1-3	AG129187	4-117	AG129187	4-227
AG128491	1-3	AG129187	4-118	AG129187	4-228
AG128492	1-3	AG129187	4-123	AG129187	4-23
AG128493	1-3	AG129187	4-124	AG129187	4-233
AG128495	1-29	AG129187	4-125	AG129187	4-234
AG128510	1-30	AG129187	4-126	AG129187	4-240
AG128771	2-13	AG129187	4-127	AG129187	4-25
AG128842	3-46	AG129187	4-130	AG129187	4-28
AG128843	3-46	AG129187	4-131	AG129187	4-29
AG128843	4-40	AG129187	4-132	AG129187	4-30
AG128977	4-43	AG129187	4-133	AG129187	4-40
AG129132	4-40	AG129187	4-134	AG129187	4-41
AG129187	10-2	AG129187	4-135	AG129187	4-43
AG129187	10-3	AG129187	4-141	AG129187	4-44
AG129187	10-4	AG129187	4-153	AG129187	4-51
AG129187	10-5	AG129187	4-157	AG129187	4-61
AG129187	10-7	AG129187	4-160	AG129187	4-62
AG129187	10-8	AG129187	4-161	AG129187	4-63
AG129187	11-15	AG129187	4-163	AG129187	4-64
AG129187	11-17	AG129187	4-164	AG129187	4-65
AG129187	11-18	AG129187	4-165	AG129187	4-66
AG129187	11-28	AG129187	4-166	AG129187	4-67
AG129187	11-30	AG129187	4-167	AG129187	4-68
AG129187	11-51	AG129187	4-17	AG129187	4-70
AG129187	11-68	AG129187	4-172	AG129187	4-71
AG129187	1-17	AG129187	4-173	AG129187	4-72
AG129187	11-70	AG129187	4-174	AG129187	4-73
AG129187	11-72	AG129187	4-175	AG129187	4-74
AG129187	1-18	AG129187	4-176	AG129187	4-75
AG129187	11-88	AG129187	4-177	AG129187	4-76
AG129187	1-19	AG129187	4-178	AG129187	4-77
AG129187	1-20	AG129187	4-179	AG129187	4-79

NUMERIC INDEX

AG129187	4-80	AG131550	5-62	AG132139	5-60
AG129187	4-81	AG131551	5-62	AG132140	5-60
AG129187	4-82	AG131593	5-62	AG132141	5-60
AG129187	4-83	AG131608	5-62	AG132375	2-32
AG129187	4-84	AG131609	5-62	AG132376	2-32
AG129187	4-89	AG131680	2-22	AG132377	2-32
AG129187	4-99	AG131681	4-54	AG132378	2-32
AG129187	8-1	AG131682	4-54	AG132615	5-56
AG129187	8-10	AG131683	4-54	AG134004	1-28
AG129187	8-11	AG131731	2-2	AG134024	1-25
AG129187	8-12	AG131731	4-3	AG134024	1-26
AG129187	8-13	AG131732	2-2	AG134025	1-33
AG129187	8-14	AG131732	4-3	AG134025	1-34
AG129187	8-15	AG131733	2-2	AG134026	1-29
AG129187	8-16	AG131733	4-3	AG134026	1-30
AG129187	8-17	AG131734	2-2	AG134091	6-21
AG129187	8-2	AG131734	4-3	AG134119	6-18
AG129187	8-5	AG131735	2-2	AG134124	6-17
AG129187	8-6	AG131735	4-3	AG134125	6-26
AG129187	8-7	AG131736	2-2	AG134126	6-27
AG129187	8-8	AG131737	2-2	AG134191	4-41
AG129187	8-9	AG131737	4-3	AG134343	10-8
AG129192	3-43	AG131738	2-2	AG134343	11-51
AG129192	3-45	AG131738	4-3	AG134357	2-25
AG129192	3-50	AG131739	2-2	AG134603	4-157
AG129192	3-52	AG131739	4-3	AG134603	4-20
AG129193	3-43	AG131739	6-3	AG134604	11-18
AG129193	3-45	AG131743	2-2	AG134605	4-85
AG129193	3-50	AG131743	4-3	AG134605	4-86
AG129193	3-52	AG131743	6-3	AG134620	4-1
AG129928	5-62	AG131744	2-2	AG134621	4-1
AG130562	6-26	AG131744	4-3	AG134622	4-1
AG130562	6-27	AG131744	6-3	AG134623	4-1
AG130563	6-26	AG131745	2-2	AG134624	4-1
AG130563	6-27	AG131745	4-3	AG134625	4-1
AG130564	6-26	AG131745	6-3	AG134626	4-1
AG130564	6-27	AG131746	2-2	AG134627	4-1
AG130565	11-31	AG131746	4-3	AG134628	4-4
AG130565	6-25	AG131746	6-3	AG134629	4-4
AG130566	11-31	AG131747	2-2	AG134630	4-4
AG130566	6-25	AG131747	4-3	AG134631	4-4
AG130567	6-18	AG131747	6-3	AG134632	4-4
AG130567	6-51	AG131748	2-2	AG134633	4-4
AG131011	4-43	AG131748	4-3	AG134634	4-4
AG131014	1-13	AG131748	6-3	AG134635	4-4
AG131015	1-13	AG131776	4-3	AG134636	4-5
AG131407	6-57	AG132126	5-60	AG134637	4-5
AG131407	6-58	AG132127	5-60	AG134638	4-5
AG131407	6-59	AG132128	5-60	AG134639	4-5
AG131407	6-64	AG132129	5-60	AG134640	4-5
AG131468	11-16	AG132130	5-60	AG134641	4-5
AG131469	11-16	AG132131	5-60	AG134642	4-7
AG131470	11-16	AG132132	5-60	AG134649	4-13
AG131471	11-16	AG132133	5-60	AG134651	4-9
AG131475	11-16	AG132134	5-60	AG134652	4-9
AG131476	11-16	AG132135	5-60	AG134653	4-9
AG131486	2-17	AG132136	5-60	AG134657	4-10
AG131487	2-17	AG132137	5-60	AG134667	4-9
AG131494	2-17	AG132138	5-60	AG134668	11-15

NUMERIC INDEX

AG134669	11-17	AG136826	5-29	AG139444	6-3
AG134670	11-15	AG136946	3-35	AG139445	6-3
AG134747	11-15	AG136947	3-20	AG139446	6-3
AG134753	4-22	AG136947	3-24	AG139447	6-3
AG134756	4-87	AG136947	3-39	AG139448	6-3
AG134756	4-88	AG136947	3-40	AG139449	6-3
AG134845	11-17	AG136949	3-34	AG140050	6-18
AG134845	11-18	AG136967	3-20	AG200557	3-27
AG134846	11-17	AG136967	3-24	AG200557	3-36
AG134846	11-18	AG136969	3-22	AG200573	3-27
AG134849	4-23	AG136969	3-26	AG200573	3-36
AG134850	4-114	AG136970	3-20	AG201588	9-1
AG134850	4-234	AG136970	3-24	AG201588	9-2
AG135071	4-24	AG136971	3-20	AG209236	11-74
AG135097	2-5	AG136971	3-24	AG209236	11-75
AG135097	4-11	AG136973	3-58	AG209384	11-52
AG135312	1-8	AG136973	3-59	AG209384	11-61
AG135332	1-1	AG136974	4-191	AG209384	11-74
AG135333	1-15	AG136977	4-191	AG209384	11-75
AG135379	1-1	AG136979	3-20	AG211441	4-48
AG135380	1-1	AG136979	3-24	AG212432	11-70
AG135432	1-15	AG136980	3-20	AG212433	11-70
AG135906	1-1	AG136981	3-24	AG216360	1-1
AG135911	2-12	AG136982	3-61	AG216853	1-36
AG135913	11-23	AG136983	3-60	AG217489	4-83
AG135919	11-86	AG136987	3-20	AG217494	4-65
AG135942	8-5	AG136987	3-24	AG217494	4-66
AG136100	1-15	AG136988	3-62	AG217585	8-10
AG136118	8-1	AG136992	3-62	AG217585	8-11
AG136119	8-5	AG136993	3-26	AG217585	8-12
AG136120	8-1	AG136994	3-22	AG217585	8-14
AG136200	10-3	AG136995	3-63	AG217585	8-15
AG136740	11-6	AG136996	3-64	AG217585	8-8
AG136741	3-28	AG137424	5-60	AG217585	8-9
AG136741	3-32	AG138348	5-2	AG217586	8-10
AG136741	3-37	AG138348	5-8	AG217586	8-11
AG136742	11-10	AG138370	5-38	AG217586	8-12
AG136743	5-31	AG138398	5-45	AG217586	8-14
AG136788	3-42	AG138400	5-62	AG217586	8-15
AG136788	3-43	AG138401	5-62	AG217586	8-8
AG136788	3-44	AG138402	5-62	AG217586	8-9
AG136788	3-45	AG138416	5-2	AG217597	4-61
AG136788	3-49	AG139087	5-57	AG217598	4-61
AG136788	3-50	AG139107	5-42	AG217599	4-62
AG136788	3-51	AG139429	6-3	AG217599	4-63
AG136788	3-52	AG139430	6-3	AG217603	4-65
AG136814	3-42	AG139431	6-3	AG217603	4-66
AG136815	3-44	AG139432	6-3	AG217605	4-64
AG136818	3-43	AG139433	6-3	AG217605	4-67
AG136818	3-45	AG139434	6-3	AG217605	4-68
AG136818	3-50	AG139435	6-3	AG217609	4-1
AG136818	3-52	AG139436	6-3	AG217609	4-4
AG136819	3-46	AG139437	6-3	AG217610	4-65
AG136821	5-63	AG139438	6-3	AG217610	4-66
AG136822	5-64	AG139439	6-3	AG217610	4-73
AG136825	11-38	AG139440	6-3	AG217610	4-74
AG136825	11-8	AG139441	6-3	AG217611	4-67
AG136825	11-9	AG139442	6-3	AG217611	4-68
AG136825	5-66	AG139443	6-3	AG217612	4-67

NUMERIC INDEX

AG217612	4-68	AG230314	4-30	AG231204	4-214
AG217616	4-80	AG231204	11-56	AG231204	4-215
AG217616	4-81	AG231204	11-57	AG231204	4-217
AG217616	4-84	AG231204	11-59	AG231204	4-218
AG217622	4-84	AG231204	11-60	AG231204	4-219
AG217642	8-11	AG231204	11-73	AG231204	4-231
AG217643	4-73	AG231204	2-4	AG231204	4-235
AG217643	4-74	AG231204	2-5	AG231204	4-236
AG217645	4-70	AG231204	3-56	AG231204	4-237
AG217646	4-70	AG231204	3-57	AG231204	4-238
AG217648	4-75	AG231204	3-60	AG231204	4-239
AG217649	4-76	AG231204	3-61	AG231204	4-4
AG217649	4-77	AG231204	3-63	AG231204	4-46
AG217650	4-76	AG231204	3-64	AG231204	4-47
AG217650	4-77	AG231204	4-1	AG231204	4-49
AG217651	4-76	AG231204	4-100	AG231204	4-50
AG217651	4-77	AG231204	4-101	AG231204	4-51
AG217656	8-11	AG231204	4-103	AG231204	4-55
AG228236	3-1	AG231204	4-105	AG231204	4-56
AG228236	3-2	AG231204	4-107	AG231204	4-57
AG228237	3-1	AG231204	4-109	AG231204	4-58
AG228237	3-2	AG231204	4-11	AG231204	4-60
AG229555	9-1	AG231204	4-110	AG231204	4-78
AG229555	9-2	AG231204	4-119	AG231204	4-91
AG229652	3-28	AG231204	4-120	AG231204	4-92
AG229652	3-32	AG231204	4-121	AG231204	4-93
AG229652	3-37	AG231204	4-122	AG231204	4-94
AG229659	3-28	AG231204	4-128	AG231204	4-95
AG229660	3-30	AG231204	4-129	AG231204	4-96
AG229660	3-35	AG231204	4-139	AG231204	6-13
AG229661	3-28	AG231204	4-140	AG231204	6-51
AG229661	3-30	AG231204	4-142	AG231204	8-10
AG229661	3-32	AG231204	4-143	AG231204	8-11
AG229661	3-35	AG231204	4-144	AG231204	8-12
AG229828	3-1	AG231204	4-145	AG231211	4-79
AG229828	3-2	AG231204	4-146	AG231212	4-79
AG229905	3-1	AG231204	4-147	AG231940	6-34
AG229905	3-2	AG231204	4-148	AG232241	3-12
AG230095	11-28	AG231204	4-150	AG232241	3-16
AG230095	11-72	AG231204	4-151	AG232241	3-4
AG230129	3-13	AG231204	4-152	AG232241	3-8
AG230129	3-17	AG231204	4-158	AG232718	8-10
AG230129	3-5	AG231204	4-159	AG232718	8-11
AG230129	3-9	AG231204	4-162	AG232718	8-12
AG230237	3-12	AG231204	4-168	AG232784	4-108
AG230237	3-16	AG231204	4-17	AG232784	4-109
AG230237	3-4	AG231204	4-170	AG232784	4-119
AG230237	3-8	AG231204	4-171	AG232784	4-122
AG230238	3-12	AG231204	4-182	AG232784	4-55
AG230238	3-16	AG231204	4-183	AG232784	4-56
AG230238	3-4	AG231204	4-184	AG232784	4-57
AG230238	3-8	AG231204	4-185	AG232784	4-58
AG230263	3-12	AG231204	4-188	AG232784	4-59
AG230263	3-16	AG231204	4-194	AG232784	4-60
AG230263	3-4	AG231204	4-195	AG232784	4-69
AG230263	3-8	AG231204	4-198	AG232784	4-78
AG230312	3-55	AG231204	4-2	AG232784	4-91
AG230314	2-20	AG231204	4-202	AG232784	4-92
AG230314	2-22	AG231204	4-209	AG232784	4-95

NUMERIC INDEX

AG232784	4-97	AG238431	4-72	AG239935	4-216
AG232797	3-56	AG238498	4-73	AG239936	4-112
AG232797	3-57	AG238498	4-74	AG239936	4-113
AG232935	6-69	AG238499	4-73	AG239936	4-115
AG232940	4-64	AG238499	4-74	AG239936	4-116
AG233057	3-1	AG239692	4-89	AG239936	4-160
AG233057	3-10	AG239721	4-123	AG239936	4-161
AG233057	3-14	AG239721	4-124	AG239936	4-163
AG233057	3-18	AG239721	4-130	AG239936	4-164
AG233057	3-2	AG239721	4-134	AG239936	4-225
AG233057	3-6	AG239721	4-135	AG239936	4-226
AG233132	1-9	AG239721	4-178	AG239937	4-114
AG233134	1-9	AG239721	4-179	AG239937	4-118
AG233237	4-82	AG239721	4-187	AG239937	4-141
AG234240	8-2	AG239721	4-189	AG239937	4-153
AG234310	6-13	AG239721	4-197	AG239937	4-167
AG234372	4-71	AG239721	4-221	AG239937	4-181
AG234372	4-72	AG239721	4-227	AG239937	4-186
AG234373	4-104	AG239721	4-228	AG239937	4-233
AG234373	4-110	AG239722	4-125	AG239937	4-234
AG234373	4-120	AG239722	4-126	AG239937	4-240
AG234373	4-128	AG239722	4-131	AG239937	4-99
AG234373	4-150	AG239722	4-222	AG239938	4-153
AG234373	4-235	AG239722	4-223	AG239938	4-161
AG234373	4-236	AG239723	4-125	AG239938	4-240
AG234373	4-237	AG239723	4-126	AG239938	4-99
AG234373	4-93	AG239723	4-131	AG239998	4-172
AG234373	4-98	AG239723	4-132	AG239998	4-173
AG234375	4-100	AG239723	4-133	AG260019	1-17
AG234375	4-103	AG239723	4-174	AG260019	1-19
AG234375	4-107	AG239723	4-175	AG260021	1-18
AG234375	4-121	AG239723	4-222	AG260022	1-18
AG234375	4-129	AG239723	4-223	AG260121	9-2
AG234375	4-94	AG239791	4-80	AG260239	4-49
AG234375	4-96	AG239791	4-81	AG260239	4-50
AG234462	4-134	AG239792	4-75	AG260241	4-49
AG234462	4-221	AG239797	4-176	AG260241	4-50
AG234467	4-180	AG239873	6-13	AG260241	4-51
AG234469	4-177	AG239874	6-13	AG260458	4-49
AG234469	4-224	AG239929	4-111	AG260458	4-50
AG234489	4-127	AG239929	4-205	AG260461	4-49
AG234703	9-1	AG239929	4-206	AG260461	4-50
AG234703	9-2	AG239930	4-117	AG260508	2-3
AG234787	4-112	AG239930	4-141	AG260508	4-25
AG234787	4-113	AG239930	4-167	AG260590	3-1
AG234787	4-132	AG239930	4-181	AG260590	3-2
AG234787	4-133	AG239930	4-186	AG260592	3-1
AG235002	6-73	AG239930	4-192	AG260592	3-2
AG235467	6-34	AG239933	4-157	AG260631	3-1
AG235928	6-11	AG239933	4-165	AG260631	3-2
AG237562	9-1	AG239933	4-166	AG260770	3-13
AG237562	9-2	AG239934	4-160	AG260770	3-17
AG237653	1-17	AG239934	4-165	AG260770	3-21
AG237653	1-19	AG239934	4-166	AG260770	3-25
AG237787	4-177	AG239935	4-111	AG260770	3-5
AG237787	4-224	AG239935	4-203	AG260770	3-9
AG237961	4-39	AG239935	4-204	AG260869	9-1
AG238315	4-39	AG239935	4-205	AG260869	9-2
AG238431	4-71	AG239935	4-206	AG261322	4-102

NUMERIC INDEX

AG261322	4-106	AG309967	3-16	AG328806	3-34
AG261322	4-169	AG309967	3-17	AG328859	10-2
AG261322	4-199	AG309967	3-24	AG328859	10-7
AG261322	4-230	AG309967	3-25	AG328960	11-72
AG261322	4-232	AG309967	3-8	AG330211	5-25
AG261322	4-49	AG309967	3-9	AG330727	11-16
AG261322	4-50	AG311914	2-1	AG330729	2-24
AG261322	4-59	AG311914	2-3	AG331436	4-3
AG261322	4-69	AG311914	2-7	AG331601	7-5
AG261821	3-29	AG311914	4-25	AG331602	7-5
AG261821	3-30	AG322370	6-34	AG331613	4-31
AG261821	3-34	AG322562	6-10	AG332158	11-35
AG261821	3-35	AG322563	6-10	AG332158	11-37
AG261822	3-29	AG322712	6-10	AG332159	11-35
AG261822	3-34	AG324064	1-35	AG332159	11-37
AG262382	2-14	AG325615	4-30	AG332160	11-35
AG262418	1-15	AG326175	2-3	AG332160	11-37
AG262418	1-24	AG326175	2-7	AG332163	11-35
AG262418	1-28	AG326175	4-25	AG332163	11-37
AG262418	1-32	AG326187	4-49	AG332164	11-35
AG262426	1-2	AG326187	4-50	AG332164	11-37
AG262427	1-2	AG326225	4-51	AG332165	11-35
AG262492	4-44	AG326276	4-49	AG332165	11-37
AG262556	3-65	AG326276	4-50	AG332166	11-35
AG262556	3-66	AG326925	11-81	AG332166	11-37
AG262785	3-4	AG326925	11-87	AG332167	11-54
AG262785	3-8	AG327117	10-3	AG332167	11-55
AG262937	6-35	AG327247	3-65	AG332168	11-54
AG262985	3-55	AG327247	3-66	AG332168	11-55
AG263036	3-12	AG327247	6-26	AG332169	11-54
AG263036	3-16	AG327247	6-27	AG332169	11-55
AG263036	3-20	AG327247	6-35	AG332170	11-54
AG263036	3-24	AG327284	10-3	AG332170	11-55
AG263053	3-12	AG327314	3-30	AG332171	11-54
AG263053	3-16	AG327314	3-35	AG332171	11-55
AG263053	3-4	AG327315	3-30	AG332172	11-54
AG263053	3-8	AG327315	3-35	AG332172	11-55
AG263132	6-18	AG327785	10-8	AG332173	11-54
AG263209	1-9	AG327785	11-51	AG332173	11-55
AG263217	3-54	AG327802	6-15	AG332174	11-54
AG308378	3-1	AG327803	11-22	AG332174	11-55
AG308378	3-12	AG327803	11-7	AG332175	11-54
AG308378	3-16	AG327803	5-15	AG332175	11-55
AG308378	3-2	AG327803	5-41	AG332176	11-54
AG308378	3-4	AG327803	5-68	AG332176	11-55
AG308378	3-8	AG327803	5-72	AG332403	2-24
AG309261	2-30	AG327804	11-7	AG402427	8-2
AG309923	3-12	AG327804	5-15	AG405382	8-2
AG309923	3-16	AG327804	5-41	AG407963	2-1
AG309923	3-20	AG327850	10-8	AG420146	6-9
AG309923	3-24	AG327850	11-51	AG420185	6-10
AG309923	3-4	AG327928	10-8	AG420189	6-10
AG309923	3-8	AG327928	11-51	AG420246	6-73
AG309966	3-12	AG328690	5-74	AG420264	6-8
AG309966	3-13	AG328772	3-54	AG422602	1-14
AG309966	3-20	AG328788	3-54	AG423007	4-49
AG309966	3-21	AG328805	3-29	AG423007	4-50
AG309966	3-4	AG328805	3-34	AG423384	4-49
AG309966	3-5	AG328806	3-29	AG423384	4-50

NUMERIC INDEX

AG423867	10-2	AG504293	6-5	AG511528	10-2
AG423867	10-5	AG504293	6-7	AG511528	10-3
AG423867	10-7	AG504299	11-15	AG511528	10-5
AG424252	11-7	AG504299	11-18	AG511528	10-7
AG424252	5-15	AG504299	6-43	AG511528	10-9
AG424252	5-41	AG504509	3-15	AG511528	1-3
AG424287	6-31	AG504509	3-16	AG511528	1-5
AG424287	6-43	AG504509	3-17	AG511528	1-7
AG424319	5-47	AG504509	3-18	AG511528	4-1
AG424327	3-65	AG504510	3-11	AG511528	4-10
AG424336	6-28	AG504510	3-12	AG511528	4-12
AG424374	5-44	AG504510	3-13	AG511528	4-13
AG424381	1-28	AG504510	3-14	AG511528	4-14
AG424387	1-15	AG504542	3-3	AG511528	4-19
AG424387	1-24	AG504542	3-4	AG511528	4-2
AG424387	1-28	AG504542	3-5	AG511528	4-201
AG424387	1-32	AG504542	3-6	AG511528	4-4
AG424445	11-72	AG504543	3-10	AG511528	4-5
AG424494	1-2	AG504543	3-7	AG511528	4-7
AG424522	4-26	AG504543	3-8	AG511528	4-9
AG424522	6-2	AG504543	3-9	AG511528	8-10
AG424522	6-5	AG504622	3-29	AG511528	8-11
AG424522	6-7	AG504795	3-54	AG511528	8-12
AG424524	4-27	AG511021	6-12	AG511528	8-13
AG424952	5-4	AG511021	6-13	AG511528	8-6
AG425341	4-90	AG511021	7-1	AG511528	8-7
AG425342	4-90	AG511021	7-3	AG511528	8-8
AG425345	4-90	AG511021	7-8	AG511528	8-9
AG426003	4-36	AG511021	8-1	AG511722	10-8
AG426003	4-38	AG511021	8-5	AG511722	11-30
AG426005	4-193	AG511099	11-25	AG511722	11-51
AG426006	4-193	AG511099	11-52	AG511722	1-23
AG426006	4-37	AG511099	11-61	AG511722	1-27
AG426009	4-37	AG511099	2-19	AG511722	1-31
AG426899	11-35	AG511099	2-30	AG511722	2-20
AG426899	11-37	AG511099	3-1	AG511722	2-22
AG426900	11-35	AG511099	3-12	AG511722	2-6
AG426900	11-37	AG511099	3-13	AG511722	4-196
AG501329	1-19	AG511099	3-16	AG511722	4-24
AG501330	1-17	AG511099	3-17	AG511722	4-27
AG501330	1-19	AG511099	3-2	AG511722	4-33
AG501336	1-17	AG511099	3-20	AG511722	4-40
AG501443	4-178	AG511099	3-21	AG511722	7-1
AG502342	1-35	AG511099	3-24	AG511730	4-40
AG502347	11-66	AG511099	3-25	AG512141	8-1
AG502347	11-68	AG511099	3-29	AG512230	10-2
AG502347	11-70	AG511099	3-30	AG512230	10-3
AG503079	4-178	AG511099	3-31	AG512230	10-5
AG503468	3-2	AG511099	3-33	AG512230	10-7
AG503469	3-1	AG511099	3-34	AG512230	2-4
AG503510	3-2	AG511099	3-35	AG512230	2-5
AG503511	3-1	AG511099	3-39	AG512230	4-11
AG504006	3-2	AG511099	3-4	AG512230	4-13
AG504007	3-1	AG511099	3-41	AG512230	4-14
AG504229	11-17	AG511099	3-5	AG512230	4-17
AG504291	6-14	AG511099	3-8	AG512230	4-202
AG504291	6-15	AG511099	3-9	AG512230	4-49
AG504291	6-16	AG511099	6-26	AG512230	4-50
AG504293	6-2	AG511099	6-27	AG512230	4-51

NUMERIC INDEX

AG512230	8-10	AG513393	4-12	AG514559	1-4
AG512230	8-11	AG513393	4-13	AG514559	1-6
AG512230	8-12	AG513393	4-14	AG514559	3-29
AG512230	8-13	AG513393	4-19	AG514559	3-34
AG512230	8-14	AG513393	4-201	AG514559	3-62
AG512230	8-15	AG513393	4-40	AG514567	11-25
AG512230	8-16	AG513393	4-49	AG514800	5-41
AG512230	8-17	AG513393	4-50	AG514814	3-30
AG512230	8-6	AG513393	4-51	AG514814	3-31
AG512230	8-7	AG513393	4-7	AG514814	3-33
AG512230	8-8	AG513393	4-9	AG514814	3-35
AG512230	8-9	AG513466	1-8	AG515001	8-10
AG512346	10-3	AG513466	4-26	AG515001	8-11
AG512346	1-1	AG513466	4-51	AG515001	8-12
AG512346	1-2	AG513654	11-83	AG515121	11-63
AG512346	1-4	AG513654	6-71	AG515121	11-65
AG512346	1-6	AG513679	1-25	AG515121	2-20
AG512346	3-1	AG513679	1-26	AG515121	2-3
AG512346	3-10	AG513679	1-29	AG515121	2-4
AG512346	3-14	AG513679	1-3	AG515121	2-6
AG512346	3-18	AG513679	1-30	AG515121	3-36
AG512346	3-2	AG513679	1-33	AG515121	3-63
AG512346	3-22	AG513679	1-34	AG515121	3-64
AG512346	3-26	AG513679	1-5	AG515121	3-65
AG512346	3-6	AG513679	1-7	AG515121	3-66
AG512362	8-2	AG513679	3-20	AG515121	4-1
AG512370	8-2	AG513679	3-24	AG515121	4-100
AG512885	2-19	AG513689	4-40	AG515121	4-101
AG512885	2-30	AG513722	2-3	AG515121	4-102
AG512885	3-12	AG513859	1-20	AG515121	4-103
AG512885	3-16	AG514014	8-3	AG515121	4-104
AG512885	3-20	AG514243	8-2	AG515121	4-105
AG512885	3-25	AG514288	7-3	AG515121	4-106
AG512885	3-30	AG514288	7-8	AG515121	4-107
AG512885	3-35	AG514326	3-54	AG515121	4-108
AG512885	3-39	AG514342	11-62	AG515121	4-109
AG512885	3-4	AG514342	11-87	AG515121	4-110
AG512885	3-41	AG514446	11-62	AG515121	4-119
AG512885	3-8	AG514446	11-87	AG515121	4-120
AG512885	5-51	AG514554	1-15	AG515121	4-121
AG512885	5-55	AG514554	1-24	AG515121	4-122
AG512885	5-58	AG514554	1-28	AG515121	4-128
AG513083	8-3	AG514554	1-32	AG515121	4-129
AG513377	11-67	AG514554	3-12	AG515121	4-143
AG513377	11-69	AG514554	3-13	AG515121	4-144
AG513377	11-71	AG514554	3-16	AG515121	4-145
AG513385	10-8	AG514554	3-17	AG515121	4-146
AG513385	11-51	AG514554	3-20	AG515121	4-147
AG513385	11-67	AG514554	3-21	AG515121	4-148
AG513385	11-69	AG514554	3-24	AG515121	4-149
AG513385	11-71	AG514554	3-25	AG515121	4-150
AG513385	2-14	AG514554	3-4	AG515121	4-151
AG513393	10-2	AG514554	3-5	AG515121	4-152
AG513393	10-3	AG514554	3-65	AG515121	4-154
AG513393	10-5	AG514554	3-66	AG515121	4-155
AG513393	10-7	AG514554	3-8	AG515121	4-156
AG513393	11-28	AG514554	3-9	AG515121	4-162
AG513393	11-72	AG514554	4-191	AG515121	4-168
AG513393	4-10	AG514559	1-2	AG515121	4-169

NUMERIC INDEX

AG515121	4-17	AG515121	7-2	AG515352	3-13
AG515121	4-171	AG515121	7-4	AG515352	3-17
AG515121	4-182	AG515121	7-7	AG515352	3-2
AG515121	4-183	AG515122	11-63	AG515352	3-21
AG515121	4-184	AG515122	11-65	AG515352	3-25
AG515121	4-185	AG515122	2-4	AG515352	3-34
AG515121	4-188	AG515122	4-17	AG515352	3-5
AG515121	4-198	AG515122	4-202	AG515352	3-9
AG515121	4-202	AG515122	6-17	AG515352	5-11
AG515121	4-209	AG515122	6-21	AG515352	5-12
AG515121	4-210	AG515122	6-34	AG515352	5-36
AG515121	4-211	AG515122	6-37	AG515352	5-65
AG515121	4-213	AG515122	6-38	AG515414	4-41
AG515121	4-215	AG515122	6-39	AG515449	8-10
AG515121	4-217	AG515122	6-44	AG515449	8-11
AG515121	4-218	AG515122	6-55	AG515449	8-12
AG515121	4-219	AG515122	6-58	AG515449	8-13
AG515121	4-229	AG515122	6-61	AG515449	8-14
AG515121	4-230	AG515122	6-69	AG515449	8-15
AG515121	4-231	AG515123	11-63	AG515449	8-16
AG515121	4-235	AG515123	11-65	AG515449	8-17
AG515121	4-239	AG515123	6-17	AG515449	8-6
AG515121	4-24	AG515123	6-34	AG515449	8-7
AG515121	4-25	AG515123	6-44	AG515449	8-8
AG515121	4-26	AG515123	6-55	AG515449	8-9
AG515121	4-27	AG515123	6-58	AG515669	2-10
AG515121	4-33	AG515123	6-61	AG515707	7-5
AG515121	4-4	AG515123	6-69	AG515756	6-47
AG515121	4-49	AG515140	11-31	AG515764	8-3
AG515121	4-50	AG515140	11-53	AG515851	8-3
AG515121	4-51	AG515140	11-58	AG515981	1-20
AG515121	4-55	AG515140	11-73	AG515981	1-22
AG515121	4-56	AG515140	11-76	AG515981	4-44
AG515121	4-57	AG515140	2-20	AG515981	4-90
AG515121	4-58	AG515140	4-39	AG516060	1-20
AG515121	4-59	AG515140	4-44	AG516060	1-22
AG515121	4-60	AG515140	6-18	AG516060	4-44
AG515121	4-69	AG515140	6-25	AG516060	4-90
AG515121	4-78	AG515140	6-35	AG516089	1-1
AG515121	4-85	AG515140	7-4	AG516105	4-90
AG515121	4-86	AG515140	7-7	AG516106	3-1
AG515121	4-87	AG515210	1-36	AG516106	3-12
AG515121	4-88	AG515274	3-1	AG516106	3-16
AG515121	4-91	AG515274	3-12	AG516106	3-2
AG515121	4-92	AG515274	3-16	AG516106	3-4
AG515121	4-94	AG515274	3-2	AG516106	3-8
AG515121	4-95	AG515274	3-20	AG516181	1-18
AG515121	4-96	AG515274	3-24	AG516206	6-12
AG515121	4-97	AG515274	3-4	AG516229	4-30
AG515121	6-18	AG515274	3-8	AG516229	6-12
AG515121	6-21	AG515277	4-39	AG516229	6-13
AG515121	6-26	AG515277	8-1	AG516229	7-3
AG515121	6-27	AG515295	10-2	AG516229	8-5
AG515121	6-34	AG515295	10-5	AG516230	6-12
AG515121	6-35	AG515295	10-7	AG516230	6-13
AG515121	6-37	AG515310	6-34	AG516230	7-5
AG515121	6-51	AG515352	11-1	AG516230	8-5
AG515121	6-58	AG515352	11-43	AG516231	4-30
AG515121	6-69	AG515352	3-1	AG516231	7-3

NUMERIC INDEX

AG516231	8-5	AG516403	4-162	AG516403	4-98
AG516233	8-2	AG516403	4-168	AG516403	6-13
AG516402	6-13	AG516403	4-169	AG516403	6-51
AG516403	11-56	AG516403	4-17	AG516403	7-4
AG516403	11-57	AG516403	4-170	AG516403	7-7
AG516403	11-59	AG516403	4-171	AG516403	8-10
AG516403	11-60	AG516403	4-182	AG516403	8-11
AG516403	11-73	AG516403	4-183	AG516403	8-12
AG516403	1-25	AG516403	4-184	AG516403	8-13
AG516403	1-26	AG516403	4-185	AG516405	1-25
AG516403	1-29	AG516403	4-188	AG516405	1-26
AG516403	1-30	AG516403	4-194	AG516405	1-29
AG516403	1-33	AG516403	4-195	AG516405	1-30
AG516403	1-34	AG516403	4-198	AG516405	1-33
AG516403	2-19	AG516403	4-199	AG516405	1-34
AG516403	2-20	AG516403	4-2	AG516405	4-111
AG516403	2-4	AG516403	4-202	AG516405	4-112
AG516403	2-5	AG516403	4-209	AG516405	4-113
AG516403	3-31	AG516403	4-210	AG516405	4-114
AG516403	3-33	AG516403	4-211	AG516405	4-115
AG516403	3-41	AG516403	4-212	AG516405	4-116
AG516403	3-60	AG516403	4-213	AG516405	4-117
AG516403	3-61	AG516403	4-214	AG516405	4-118
AG516403	3-63	AG516403	4-215	AG516405	4-123
AG516403	3-64	AG516403	4-217	AG516405	4-124
AG516403	4-1	AG516403	4-218	AG516405	4-125
AG516403	4-100	AG516403	4-219	AG516405	4-126
AG516403	4-101	AG516403	4-229	AG516405	4-130
AG516403	4-102	AG516403	4-230	AG516405	4-131
AG516403	4-103	AG516403	4-231	AG516405	4-132
AG516403	4-104	AG516403	4-232	AG516405	4-133
AG516403	4-105	AG516403	4-235	AG516405	4-134
AG516403	4-106	AG516403	4-236	AG516405	4-135
AG516403	4-107	AG516403	4-237	AG516405	4-141
AG516403	4-108	AG516403	4-238	AG516405	4-153
AG516403	4-109	AG516403	4-239	AG516405	4-160
AG516403	4-11	AG516403	4-4	AG516405	4-161
AG516403	4-110	AG516403	4-44	AG516405	4-163
AG516403	4-119	AG516403	4-46	AG516405	4-164
AG516403	4-120	AG516403	4-47	AG516405	4-165
AG516403	4-121	AG516403	4-48	AG516405	4-166
AG516403	4-122	AG516403	4-49	AG516405	4-167
AG516403	4-128	AG516403	4-50	AG516405	4-172
AG516403	4-129	AG516403	4-51	AG516405	4-173
AG516403	4-139	AG516403	4-55	AG516405	4-174
AG516403	4-140	AG516403	4-56	AG516405	4-175
AG516403	4-142	AG516403	4-57	AG516405	4-176
AG516403	4-143	AG516403	4-58	AG516405	4-177
AG516403	4-144	AG516403	4-59	AG516405	4-178
AG516403	4-145	AG516403	4-60	AG516405	4-179
AG516403	4-146	AG516403	4-69	AG516405	4-180
AG516403	4-147	AG516403	4-78	AG516405	4-181
AG516403	4-148	AG516403	4-91	AG516405	4-186
AG516403	4-150	AG516403	4-92	AG516405	4-187
AG516403	4-151	AG516403	4-93	AG516405	4-189
AG516403	4-152	AG516403	4-94	AG516405	4-192
AG516403	4-154	AG516403	4-95	AG516405	4-197
AG516403	4-158	AG516403	4-96	AG516405	4-203
AG516403	4-159	AG516403	4-97	AG516405	4-204

NUMERIC INDEX

AG516405	4-205	AG517793	3-4	AG518339	4-26
AG516405	4-206	AG517793	3-8	AG518340	10-8
AG516405	4-207	AG517851	7-5	AG518340	11-51
AG516405	4-208	AG517851	7-8	AG518340	2-3
AG516405	4-216	AG517855	2-1	AG518340	4-25
AG516405	4-221	AG517855	2-3	AG518358	3-31
AG516405	4-222	AG517855	2-7	AG518358	3-33
AG516405	4-223	AG517855	4-25	AG518358	3-41
AG516405	4-224	AG517855	4-41	AG518413	8-2
AG516405	4-225	AG517858	4-49	AG518425	4-49
AG516405	4-226	AG517858	4-50	AG518425	4-50
AG516405	4-227	AG517858	4-51	AG518425	4-51
AG516405	4-228	AG517892	10-4	AG518492	4-139
AG516405	4-233	AG517926	11-66	AG518492	4-140
AG516405	4-234	AG517926	11-68	AG518492	4-147
AG516405	4-240	AG517926	11-70	AG518492	4-151
AG516405	4-99	AG517942	11-84	AG518492	4-152
AG516476	7-5	AG517942	6-72	AG518492	4-168
AG516478	7-5	AG517975	6-47	AG518492	4-185
AG516478	7-8	AG517975	7-8	AG518492	4-194
AG516481	11-30	AG517993	3-28	AG518492	4-195
AG516481	2-20	AG517993	3-32	AG518492	4-230
AG516481	7-1	AG517993	3-37	AG518492	4-231
AG516481	7-3	AG517993	3-38	AG518492	4-46
AG516567	6-37	AG517994	2-30	AG518492	4-47
AG516568	6-37	AG517999	11-30	AG518492	4-48
AG516611	2-9	AG517999	2-20	AG518500	3-43
AG516643	7-5	AG517999	7-1	AG518500	3-45
AG516643	7-8	AG518025	3-20	AG518500	3-50
AG516864	6-41	AG518025	3-24	AG518500	3-52
AG516992	4-149	AG518025	4-191	AG518504	4-41
AG516992	7-7	AG518032	3-31	AG518507	4-106
AG517044	4-43	AG518032	3-33	AG518507	4-209
AG517157	6-73	AG518032	3-41	AG518507	4-26
AG517157	8-5	AG518088	6-11	AG518507	4-49
AG517158	6-73	AG518088	6-9	AG518507	4-50
AG517158	8-5	AG518092	3-28	AG518625	7-3
AG517159	6-73	AG518092	3-32	AG518660	4-22
AG517159	8-5	AG518195	4-43	AG518660	4-23
AG517219	6-73	AG518218	8-1	AG518668	7-3
AG517219	8-5	AG518236	4-89	AG518668	7-5
AG517248	3-28	AG518292	1-25	AG518668	7-8
AG517248	3-32	AG518292	1-26	AG518707	6-33
AG517248	3-38	AG518292	1-29	AG518707	6-34
AG517420	6-11	AG518292	1-30	AG518707	6-36
AG517421	6-10	AG518292	1-33	AG518707	6-8
AG517467	8-3	AG518292	1-34	AG518847	11-30
AG517536	2-19	AG518292	2-20	AG518847	2-20
AG517536	2-30	AG518292	7-4	AG518847	7-1
AG517602	4-65	AG518292	7-7	AG518847	7-2
AG517602	4-66	AG518326	4-55	AG518988	4-40
AG517724	6-44	AG518326	4-56	AG519079	7-3
AG517724	6-55	AG518326	4-57	AG519086	6-69
AG517793	3-1	AG518326	4-58	AG519088	6-68
AG517793	3-12	AG518326	4-59	AG519088	6-69
AG517793	3-16	AG518326	4-69	AG519113	5-41
AG517793	3-2	AG518326	4-78	AG519180	4-101
AG517793	3-20	AG518326	4-87	AG519180	4-102
AG517793	3-24	AG518326	4-88	AG519180	4-105

NUMERIC INDEX

AG519180	4-106	AG519749	4-182	AG520346	11-70
AG519180	4-146	AG519749	4-183	AG520347	6-73
AG519180	4-149	AG519749	4-199	AG520373	4-31
AG519180	4-154	AG519749	4-212	AG520375	4-30
AG519180	4-209	AG519749	4-213	AG520377	1-13
AG519180	4-229	AG519749	4-214	AG520377	1-16
AG519190	11-84	AG519749	4-215	AG520386	2-16
AG519190	6-72	AG519749	4-217	AG520559	6-10
AG519314	6-13	AG519749	4-218	AG520614	1-15
AG519336	11-30	AG519749	4-219	AG520614	1-24
AG519336	2-20	AG519749	4-229	AG520614	1-28
AG519336	7-1	AG519749	4-232	AG520614	1-32
AG519336	8-5	AG519749	4-236	AG520614	3-65
AG519463	6-69	AG519749	4-237	AG520614	3-66
AG519561	4-20	AG519749	4-239	AG520671	6-73
AG519561	4-29	AG519749	4-85	AG520889	8-5
AG519748	4-108	AG519749	4-86	AG520910	6-45
AG519748	4-109	AG519749	4-93	AG520939	7-5
AG519748	4-119	AG519749	4-94	AG520939	7-8
AG519748	4-122	AG519749	4-96	AG520970	7-3
AG519748	4-147	AG519749	4-98	AG521016	6-73
AG519748	4-148	AG519751	4-103	AG521017	4-41
AG519748	4-151	AG519751	4-106	AG521017	6-31
AG519748	4-152	AG519751	4-107	AG521017	6-43
AG519748	4-162	AG519751	4-143	AG521021	2-10
AG519748	4-168	AG519751	4-198	AG521023	2-10
AG519748	4-169	AG519751	4-210	AG521024	7-5
AG519748	4-184	AG519751	4-213	AG521354	8-5
AG519748	4-185	AG519751	4-215	AG521412	1-35
AG519748	4-198	AG519751	4-217	AG521476	6-69
AG519748	4-210	AG519751	4-218	AG521690	3-27
AG519748	4-211	AG519751	4-219	AG521690	3-36
AG519748	4-230	AG519751	4-235	AG521846	8-2
AG519748	4-231	AG519751	4-236	AG521934	8-5
AG519748	4-59	AG519751	4-94	AG521959	7-3
AG519748	4-60	AG519751	4-96	AG522023	11-48
AG519748	4-91	AG519751	6-50	AG522023	5-19
AG519748	4-92	AG519838	4-157	AG522023	5-69
AG519748	4-95	AG519838	4-2	AG522044	10-8
AG519748	4-97	AG519861	10-8	AG522044	11-51
AG519749	4-100	AG520052	6-47	AG522056	3-13
AG519749	4-101	AG520092	6-47	AG522056	3-17
AG519749	4-102	AG520093	6-47	AG522056	3-21
AG519749	4-103	AG520095	1-12	AG522056	3-25
AG519749	4-104	AG520222	6-11	AG522056	3-5
AG519749	4-107	AG520296	6-10	AG522056	3-9
AG519749	4-120	AG520326	6-10	AG522057	3-13
AG519749	4-121	AG520326	6-33	AG522057	3-17
AG519749	4-129	AG520326	6-34	AG522057	3-5
AG519749	4-142	AG520326	6-36	AG522057	3-9
AG519749	4-143	AG520326	6-8	AG522058	3-13
AG519749	4-144	AG520327	6-10	AG522058	3-17
AG519749	4-145	AG520345	1-17	AG522058	3-21
AG519749	4-154	AG520345	11-70	AG522058	3-25
AG519749	4-155	AG520345	1-19	AG522058	3-5
AG519749	4-156	AG520345	4-190	AG522058	3-9
AG519749	4-158	AG520345	4-89	AG522149	10-3
AG519749	4-159	AG520346	11-66	AG522149	11-88
AG519749	4-170	AG520346	11-68	AG522149	2-7

NUMERIC INDEX

AG522149	4-25	AG522895	4-11	AG523412	4-144
AG522220	11-62	AG522895	4-17	AG523412	4-145
AG522244	11-87	AG522895	4-196	AG523412	4-148
AG522247	11-62	AG522895	4-2	AG523412	4-150
AG522247	11-81	AG522895	4-202	AG523412	4-152
AG522247	11-87	AG522895	4-24	AG523412	4-154
AG522335	7-5	AG522895	4-25	AG523412	4-162
AG522335	7-8	AG522895	4-26	AG523412	4-171
AG522410	6-73	AG522895	4-27	AG523412	4-182
AG522466	8-5	AG522895	4-33	AG523412	4-188
AG522513	11-70	AG522895	4-40	AG523412	4-209
AG522513	4-89	AG522895	4-41	AG523412	4-229
AG522562	4-49	AG522895	7-1	AG523412	4-235
AG522562	4-50	AG522925	3-29	AG523412	4-239
AG522563	2-10	AG522925	3-30	AG523412	4-91
AG522571	11-21	AG522925	3-34	AG523412	4-94
AG522571	1-15	AG522925	3-35	AG523412	6-50
AG522571	1-24	AG522980	3-1	AG523417	1-36
AG522571	1-28	AG522980	3-12	AG523421	3-48
AG522571	1-32	AG522980	3-16	AG523464	11-62
AG522571	4-40	AG522980	3-2	AG523491	6-58
AG522572	1-15	AG522980	3-20	AG523491	6-61
AG522572	1-28	AG522980	3-24	AG523491	6-69
AG522572	1-32	AG522980	3-29	AG523508	11-62
AG522603	3-48	AG522980	3-30	AG523508	11-81
AG522616	4-30	AG522980	3-34	AG523508	11-87
AG522616	4-32	AG522980	3-35	AG523524	2-26
AG522699	2-26	AG522980	3-39	AG523524	2-7
AG522703	3-27	AG522980	3-4	AG523524	4-25
AG522703	3-36	AG522980	3-8	AG523524	4-30
AG522800	11-28	AG523061	4-40	AG523526	4-54
AG522800	11-72	AG523078	7-5	AG523533	4-237
AG522893	2-10	AG523088	6-50	AG523544	11-22
AG522893	2-4	AG523166	2-27	AG523544	11-7
AG522893	2-5	AG523175	3-41	AG523544	5-15
AG522893	4-11	AG523259	3-62	AG523544	5-41
AG522893	4-17	AG523297	11-31	AG523563	3-13
AG522893	4-2	AG523297	6-18	AG523563	3-17
AG522893	4-202	AG523297	6-25	AG523563	3-21
AG522894	10-8	AG523327	8-10	AG523563	3-25
AG522894	11-51	AG523327	8-11	AG523563	3-5
AG522894	2-20	AG523327	8-12	AG523563	3-9
AG522894	2-22	AG523361	11-31	AG523590	3-65
AG522894	2-25	AG523361	11-32	AG523590	3-66
AG522894	2-6	AG523361	6-26	AG523591	11-31
AG522894	4-24	AG523361	6-27	AG523591	11-32
AG522894	4-27	AG523361	6-35	AG523591	6-26
AG522894	4-33	AG523412	4-100	AG523591	6-27
AG522894	4-41	AG523412	4-103	AG523591	6-35
AG522895	10-8	AG523412	4-104	AG523653	3-1
AG522895	11-30	AG523412	4-104	AG523653	3-12
AG522895	11-51	AG523412	4-107	AG523653	3-16
AG522895	2-20	AG523412	4-108	AG523653	3-16
AG522895	2-22	AG523412	4-109	AG523653	3-2
AG522895	2-22	AG523412	4-110	AG523653	3-4
AG522895	2-25	AG523412	4-120	AG523653	3-8
AG522895	2-4	AG523412	4-121	AG523688	10-3
AG522895	2-5	AG523412	4-122	AG523814	3-65
AG522895	2-6	AG523412	4-128	AG523814	3-66
AG522895	2-7	AG523412	4-129	AG523814	6-26

NUMERIC INDEX

AG523814	6-27	AG550124	3-43	AG550191	5-43
AG523814	6-35	AG550124	3-45	AG550191	5-67
AG523837	6-35	AG550124	3-48	AG550191	5-71
AG523923	11-72	AG550124	3-5	AG550191	6-50
AG523925	4-40	AG550124	3-50	AG550191	8-1
AG523925	6-31	AG550124	3-52	AG550205	11-52
AG523925	6-43	AG550124	3-54	AG550205	11-61
AG523935	1-1	AG550124	3-8	AG550205	11-74
AG523935	1-15	AG550124	3-9	AG550205	11-75
AG523935	1-2	AG550132	10-3	AG550205	2-19
AG523935	1-24	AG550167	3-31	AG550205	4-32
AG523935	1-28	AG550167	3-33	AG550205	5-28
AG523935	1-32	AG550175	10-8	AG550213	11-52
AG523935	1-4	AG550175	11-51	AG550213	11-61
AG523935	1-6	AG550175	11-66	AG550213	11-74
AG523940	10-8	AG550175	11-68	AG550213	11-75
AG523940	11-51	AG550175	11-70	AG550213	2-19
AG524001	6-21	AG550175	11-77	AG550256	11-28
AG524001	6-29	AG550175	2-19	AG550256	11-72
AG524024	11-28	AG550175	3-29	AG550256	5-74
AG524024	11-72	AG550175	3-34	AG550264	3-13
AG524255	3-13	AG550175	5-28	AG550264	3-17
AG524255	3-17	AG550175	5-40	AG550264	3-21
AG524255	3-21	AG550175	5-43	AG550264	3-25
AG524255	3-25	AG550175	5-67	AG550264	3-27
AG524255	3-5	AG550175	5-71	AG550264	3-31
AG524255	3-9	AG550175	6-50	AG550264	3-33
AG524263	3-31	AG550175	8-1	AG550264	3-36
AG524263	3-33	AG550191	10-8	AG550264	3-43
AG524270	6-32	AG550191	1-15	AG550264	3-45
AG524270	6-43	AG550191	11-51	AG550264	3-48
AG524292	2-20	AG550191	11-66	AG550264	3-5
AG524292	6-35	AG550191	11-68	AG550264	3-50
AG524292	7-4	AG550191	11-70	AG550264	3-52
AG524369	5-19	AG550191	11-74	AG550264	3-54
AG524378	11-22	AG550191	11-75	AG550264	3-9
AG524378	11-7	AG550191	11-77	AG550264	5-51
AG524378	5-15	AG550191	1-24	AG550264	5-55
AG524378	5-41	AG550191	1-28	AG550264	5-58
AG524378	5-68	AG550191	1-32	AG550264	5-74
AG524378	5-72	AG550191	2-19	AG550280	3-31
AG550108	3-28	AG550191	2-20	AG550280	3-33
AG550108	3-32	AG550191	2-22	AG550353	10-2
AG550108	3-37	AG550191	2-9	AG550353	10-3
AG550108	3-38	AG550191	3-1	AG550353	11-28
AG550108	3-40	AG550191	3-2	AG550353	11-72
AG550116	3-27	AG550191	3-28	AG550353	3-12
AG550116	3-36	AG550191	3-30	AG550353	3-16
AG550124	3-12	AG550191	3-31	AG550353	3-20
AG550124	3-13	AG550191	3-32	AG550353	3-24
AG550124	3-16	AG550191	3-33	AG550353	3-27
AG550124	3-17	AG550191	3-35	AG550353	3-36
AG550124	3-21	AG550191	3-37	AG550353	3-37
AG550124	3-25	AG550191	3-39	AG550353	3-4
AG550124	3-27	AG550191	3-62	AG550353	3-43
AG550124	3-31	AG550191	4-30	AG550353	3-45
AG550124	3-33	AG550191	4-40	AG550353	3-46
AG550124	3-36	AG550191	5-28	AG550353	3-48
AG550124	3-4	AG550191	5-40	AG550353	3-50

NUMERIC INDEX

AG550353	3-52	AG550612	3-17	AG550949	3-32
AG550353	3-8	AG550612	3-21	AG550949	3-47
AG550450	1-23	AG550612	3-25	AG550981	3-1
AG550450	1-27	AG550612	3-28	AG550981	3-2
AG550450	1-31	AG550612	3-32	AG551007	10-8
AG550450	1-8	AG550612	3-5	AG551007	1-1
AG550450	4-30	AG550612	3-9	AG551007	1-15
AG550450	4-43	AG550612	4-196	AG551007	11-51
AG550477	1-23	AG550620	2-19	AG551007	11-66
AG550477	1-27	AG550647	2-19	AG551007	11-68
AG550477	1-31	AG550671	11-48	AG551007	11-70
AG550477	1-8	AG550671	3-40	AG551007	11-77
AG550477	4-30	AG550671	3-41	AG551007	11-81
AG550477	4-43	AG550698	3-43	AG551007	11-87
AG550485	3-30	AG550698	3-45	AG551007	1-2
AG550485	3-35	AG550779	3-35	AG551007	1-24
AG550485	3-40	AG550787	3-43	AG551007	1-28
AG550485	3-41	AG550787	3-45	AG551007	1-32
AG550485	3-53	AG550787	3-50	AG551007	1-4
AG550493	11-30	AG550787	3-52	AG551007	1-6
AG550493	11-62	AG550817	3-31	AG551007	2-19
AG550493	2-20	AG550817	3-33	AG551007	2-20
AG550493	3-28	AG550817	3-54	AG551007	2-22
AG550493	3-30	AG550817	5-51	AG551007	2-9
AG550493	3-32	AG550817	5-55	AG551007	3-39
AG550493	3-35	AG550817	5-58	AG551007	3-50
AG550493	3-40	AG550825	10-8	AG551007	3-52
AG550493	3-41	AG550825	1-15	AG551007	4-30
AG550493	3-53	AG550825	11-51	AG551007	4-40
AG550493	4-196	AG550825	11-66	AG551007	4-90
AG550507	11-30	AG550825	11-68	AG551007	5-28
AG550507	11-62	AG550825	11-70	AG551007	5-40
AG550507	2-20	AG550825	11-74	AG551007	5-43
AG550507	3-28	AG550825	11-75	AG551007	5-67
AG550507	3-30	AG550825	11-77	AG551007	5-71
AG550507	3-32	AG550825	1-24	AG551007	6-50
AG550507	3-35	AG550825	1-28	AG551007	8-1
AG550507	3-43	AG550825	1-32	AG551015	11-52
AG550507	3-45	AG550825	2-19	AG551015	11-61
AG550507	3-53	AG550825	2-20	AG551015	11-74
AG550507	4-196	AG550825	2-22	AG551015	11-75
AG550515	1-15	AG550825	2-9	AG551015	2-19
AG550515	1-24	AG550825	3-1	AG551015	4-32
AG550515	1-28	AG550825	3-2	AG551015	5-28
AG550515	1-32	AG550825	3-28	AG551031	4-30
AG550515	3-30	AG550825	3-30	AG551058	11-52
AG550515	3-35	AG550825	3-32	AG551058	11-61
AG550515	3-50	AG550825	3-35	AG551058	3-55
AG550515	3-52	AG550825	3-37	AG551058	4-191
AG550515	8-1	AG550825	4-30	AG551139	5-41
AG550590	3-28	AG550825	4-40	AG551252	2-19
AG550590	3-32	AG550825	5-28	AG551252	4-32
AG550590	3-37	AG550825	5-40	AG551287	6-73
AG550590	3-38	AG550825	5-43	AG551392	3-1
AG550590	3-40	AG550825	5-67	AG551392	3-12
AG550612	11-30	AG550825	5-71	AG551392	3-16
AG550612	11-62	AG550825	6-50	AG551392	3-2
AG550612	2-20	AG550825	8-1	AG551392	3-4
AG550612	3-13	AG550949	3-28	AG551392	3-8

NUMERIC INDEX

AG551406	3-29	AG553557	11-3	AG556149	3-37
AG551406	3-34	AG553557	11-4	AG556149	3-43
AG551503	3-39	AG553557	11-73	AG556149	3-45
AG551546	3-20	AG553557	11-83	AG556149	3-50
AG551546	3-24	AG553557	11-84	AG556149	3-52
AG551856	11-1	AG553557	11-85	AG556424	2-1
AG551856	11-43	AG553557	1-2	AG556424	2-3
AG551856	3-1	AG553557	1-4	AG556424	2-7
AG551856	3-12	AG553557	1-6	AG556424	4-25
AG551856	3-13	AG553557	4-28	AG556742	4-43
AG551856	3-16	AG553557	6-17	AG557471	11-52
AG551856	3-17	AG553557	6-19	AG557471	11-61
AG551856	3-2	AG553557	6-22	AG558788	11-62
AG551856	3-21	AG553557	6-34	AG558796	3-29
AG551856	3-25	AG553557	6-40	AG558796	3-34
AG551856	3-34	AG553557	6-45	AG558869	4-40
AG551856	3-4	AG553557	6-46	AG559024	11-66
AG551856	3-5	AG553557	6-49	AG559024	11-68
AG551856	3-8	AG553557	6-72	AG559024	11-70
AG551856	3-9	AG553646	3-28	AG559083	3-41
AG551856	5-11	AG553646	3-32	AG559237	3-65
AG551856	5-12	AG553670	2-19	AG559237	3-66
AG551856	5-36	AG553875	8-10	AG559253	10-2
AG551856	5-65	AG553875	8-11	AG559253	10-3
AG552046	1-23	AG553875	8-12	AG559253	3-37
AG552046	1-27	AG553875	8-13	AG559385	8-12
AG552046	1-31	AG553875	8-14	AG559385	8-13
AG552046	1-8	AG553875	8-15	AG559385	8-16
AG552127	4-90	AG553875	8-16	AG559385	8-17
AG552232	11-25	AG553875	8-17	AG559385	8-6
AG552305	1-20	AG553875	8-6	AG559385	8-7
AG552321	2-19	AG553875	8-7	AG560286	3-20
AG552321	2-30	AG553875	8-8	AG560286	3-24
AG552410	2-19	AG553875	8-9	AG560456	3-62
AG552410	2-30	AG553956	3-27	AG560480	4-55
AG552410	3-12	AG553956	3-36	AG560480	4-56
AG552410	3-16	AG553956	3-54	AG560480	4-57
AG552410	3-20	AG554278	6-15	AG560480	4-69
AG552410	3-24	AG554278	6-2	AG560480	4-78
AG552410	3-4	AG554278	6-32	AG560480	4-95
AG552410	3-8	AG554278	6-43	AG560693	5-41
AG552550	1-22	AG554278	6-5	AG560870	4-43
AG553026	1-23	AG554278	6-54	AG560899	11-22
AG553026	1-27	AG554278	6-7	AG560899	11-7
AG553026	1-31	AG554472	4-44	AG560899	5-15
AG553026	1-8	AG554480	8-12	AG560899	5-41
AG553026	4-43	AG554480	8-13	AG560899	5-68
AG553182	2-19	AG554480	8-16	AG560899	5-72
AG553492	2-1	AG554480	8-17	AG560931	1-23
AG553492	2-3	AG554480	8-6	AG560931	1-27
AG553492	2-7	AG554480	8-7	AG560931	1-31
AG553492	4-25	AG554510	5-81	AG560931	1-8
AG553557	10-5	AG554537	3-40	AG560931	4-43
AG553557	1-1	AG554758	4-43	AG561072	3-1
AG553557	11-11	AG554766	1-20	AG561072	3-12
AG553557	11-15	AG554774	4-30	AG561072	3-16
AG553557	11-17	AG554863	9-1	AG561072	3-2
AG553557	11-18	AG554863	9-2	AG561072	3-28
AG553557	11-2	AG556017	5-28	AG561072	3-32

NUMERIC INDEX

AG561072	3-37	AG561215	8-10	AG561231	2-4
AG561072	3-4	AG561215	8-11	AG561231	2-5
AG561072	3-8	AG561215	8-12	AG561231	4-11
AG561078	3-13	AG561218	10-2	AG561231	4-14
AG561078	3-17	AG561218	10-3	AG561231	4-17
AG561078	3-21	AG561218	10-5	AG561231	4-202
AG561078	3-25	AG561218	10-7	AG561231	8-10
AG561078	3-5	AG561218	3-21	AG561231	8-11
AG561078	3-9	AG561218	3-25	AG561231	8-12
AG561156	3-28	AG561218	4-49	AG561231	8-13
AG561156	3-32	AG561218	4-50	AG561231	8-14
AG561156	3-38	AG561218	4-51	AG561231	8-15
AG561156	3-43	AG561227	4-190	AG561231	8-16
AG561156	3-45	AG561227	4-40	AG561231	8-17
AG561156	3-50	AG561227	8-10	AG561233	1-23
AG561156	3-52	AG561227	8-11	AG561233	1-27
AG561169	5-75	AG561227	8-13	AG561233	1-31
AG561177	3-31	AG561227	8-2	AG561233	1-8
AG561177	3-33	AG561227	8-6	AG561233	3-13
AG561177	3-41	AG561227	8-7	AG561233	3-17
AG561199	3-27	AG561227	8-9	AG561233	3-5
AG561199	3-36	AG561228	8-14	AG561233	3-9
AG561201	3-27	AG561228	8-15	AG561246	11-30
AG561201	3-36	AG561228	8-16	AG561246	2-20
AG561203	3-12	AG561228	8-17	AG561246	4-196
AG561203	3-16	AG561229	10-8	AG561251	3-31
AG561203	3-4	AG561229	11-51	AG561251	3-33
AG561203	3-8	AG561229	11-66	AG561251	3-41
AG561212	4-43	AG561229	11-68	AG561262	1-36
AG561213	10-2	AG561229	11-70	AG561308	5-41
AG561213	10-3	AG561229	1-25	AG561339	5-41
AG561213	10-5	AG561229	1-26	AG561352	4-49
AG561213	10-7	AG561229	1-29	AG561352	4-50
AG561213	10-9	AG561229	1-3	AG561488	6-17
AG561213	1-3	AG561229	1-30	AG561508	8-2
AG561213	1-5	AG561229	1-33	AG561538	4-26
AG561213	1-7	AG561229	1-34	AG561538	4-51
AG561213	4-1	AG561229	1-5	AG561592	11-52
AG561213	4-10	AG561229	1-7	AG561592	11-61
AG561213	4-12	AG561229	2-14	AG561630	10-8
AG561213	4-13	AG561229	8-1	AG561630	11-30
AG561213	4-14	AG561230	4-10	AG561630	11-51
AG561213	4-19	AG561230	4-12	AG561630	2-20
AG561213	4-2	AG561230	4-13	AG561630	2-22
AG561213	4-201	AG561230	4-14	AG561630	2-6
AG561213	4-4	AG561230	4-19	AG561630	4-196
AG561213	4-5	AG561230	4-201	AG561630	4-24
AG561213	4-7	AG561230	4-40	AG561630	4-27
AG561213	4-9	AG561230	4-49	AG561630	4-33
AG561213	8-10	AG561230	4-50	AG561630	4-40
AG561213	8-11	AG561230	4-51	AG561630	7-1
AG561213	8-12	AG561230	4-7	AG561635	3-46
AG561213	8-6	AG561230	4-9	AG561637	7-8
AG561213	8-7	AG561231	10-2	AG561665	1-15
AG561213	8-8	AG561231	10-3	AG561665	1-24
AG561213	8-9	AG561231	10-5	AG561665	1-28
AG561215	11-66	AG561231	10-7	AG561665	1-32
AG561215	11-68	AG561231	11-28	AG561665	3-65
AG561215	11-70	AG561231	11-72	AG561665	3-66

NUMERIC INDEX

AG561667	3-1	AG562048	4-44	AG562064	11-63
AG561667	3-2	AG562049	4-44	AG562064	11-65
AG561698	3-1	AG562050	11-21	AG562064	2-20
AG561698	3-2	AG562050	11-22	AG562064	2-6
AG561744	5-41	AG562050	11-31	AG562064	3-63
AG561793	4-182	AG562050	1-15	AG562064	3-64
AG561793	4-183	AG562050	1-16	AG562064	4-100
AG561793	4-184	AG562050	11-7	AG562064	4-103
AG561793	4-185	AG562050	1-24	AG562064	4-104
AG561793	4-188	AG562050	1-25	AG562064	4-107
AG561797	5-68	AG562050	1-26	AG562064	4-110
AG561797	5-72	AG562050	1-28	AG562064	4-120
AG561826	3-29	AG562050	1-29	AG562064	4-121
AG561826	3-34	AG562050	1-3	AG562064	4-128
AG561826	3-39	AG562050	1-30	AG562064	4-129
AG561826	3-41	AG562050	1-32	AG562064	4-213
AG561826	5-10	AG562050	1-33	AG562064	4-215
AG561892	2-19	AG562050	1-34	AG562064	4-217
AG561892	2-30	AG562050	1-5	AG562064	4-218
AG561892	3-1	AG562050	1-7	AG562064	4-219
AG561892	3-12	AG562050	4-40	AG562064	4-235
AG561892	3-13	AG562050	5-15	AG562064	4-239
AG561892	3-16	AG562050	5-41	AG562064	4-24
AG561892	3-17	AG562050	5-68	AG562064	4-27
AG561892	3-2	AG562050	5-72	AG562064	4-33
AG561892	3-20	AG562050	6-47	AG562064	4-94
AG561892	3-21	AG562051	11-22	AG562064	4-96
AG561892	3-24	AG562051	2-7	AG562064	7-2
AG561892	3-25	AG562051	3-56	AG562064	7-4
AG561892	3-29	AG562051	3-57	AG562064	7-7
AG561892	3-30	AG562051	4-44	AG562065	11-21
AG561892	3-31	AG562051	5-68	AG562065	1-15
AG561892	3-33	AG562051	5-72	AG562065	1-16
AG561892	3-34	AG562053	5-46	AG562065	1-24
AG561892	3-35	AG562054	1-16	AG562065	1-25
AG561892	3-39	AG562054	2-4	AG562065	1-26
AG561892	3-4	AG562054	4-143	AG562065	1-28
AG561892	3-41	AG562054	4-144	AG562065	1-29
AG561892	3-5	AG562054	4-145	AG562065	1-3
AG561892	3-8	AG562054	4-150	AG562065	1-30
AG561892	3-9	AG562054	4-152	AG562065	1-32
AG561892	5-62	AG562054	4-154	AG562065	1-33
AG561892	6-26	AG562054	4-155	AG562065	1-34
AG561892	6-27	AG562054	4-156	AG562065	1-5
AG561952	3-36	AG562054	4-17	AG562065	1-7
AG561952	3-65	AG562054	4-171	AG562065	4-40
AG561952	3-66	AG562054	4-182	AG562065	6-47
AG561952	4-1	AG562054	4-183	AG562067	6-58
AG561952	4-4	AG562054	4-188	AG562067	6-61
AG561952	6-58	AG562054	4-202	AG562067	6-69
AG562011	3-38	AG562054	4-229	AG562068	6-17
AG562045	5-46	AG562054	4-85	AG562073	1-1
AG562046	10-5	AG562054	4-86	AG562073	11-22
AG562046	10-7	AG562054	4-87	AG562073	11-31
AG562047	6-34	AG562054	4-88	AG562073	1-15
AG562047	7-3	AG562054	6-17	AG562073	11-53
AG562048	1-3	AG562054	6-18	AG562073	11-58
AG562048	1-5	AG562054	6-51	AG562073	11-7
AG562048	1-7	AG562054	6-69	AG562073	11-73

NUMERIC INDEX

AG562073 11-76
AG562073 1-24
AG562073 1-25
AG562073 1-26
AG562073 1-28
AG562073 1-29
AG562073 1-3
AG562073 1-30
AG562073 1-32
AG562073 1-33
AG562073 1-34
AG562073 1-35
AG562073 1-5
AG562073 1-7
AG562073 2-20
AG562073 4-149
AG562073 4-39
AG562073 5-15
AG562073 5-41
AG562073 5-68
AG562073 5-72
AG562073 6-13
AG562073 6-18
AG562073 6-25
AG562073 6-35
AG562073 7-4
AG562073 7-7
AG562074 11-56
AG562074 11-57
AG562074 11-59
AG562074 11-60
AG562074 11-73
AG562074 1-25
AG562074 1-26
AG562074 1-29
AG562074 1-30
AG562074 1-33
AG562074 1-34
AG562074 2-20
AG562074 2-4
AG562074 2-5
AG562074 2-7
AG562074 3-56
AG562074 3-57
AG562074 3-60
AG562074 3-61
AG562074 3-63
AG562074 3-64
AG562074 4-1
AG562074 4-100
AG562074 4-101
AG562074 4-102
AG562074 4-103
AG562074 4-104
AG562074 4-105
AG562074 4-106
AG562074 4-107
AG562074 4-108
AG562074 4-109

AG562074 4-11
AG562074 4-110
AG562074 4-119
AG562074 4-120
AG562074 4-121
AG562074 4-122
AG562074 4-128
AG562074 4-129
AG562074 4-139
AG562074 4-140
AG562074 4-142
AG562074 4-143
AG562074 4-144
AG562074 4-145
AG562074 4-146
AG562074 4-147
AG562074 4-148
AG562074 4-150
AG562074 4-151
AG562074 4-152
AG562074 4-154
AG562074 4-158
AG562074 4-159
AG562074 4-162
AG562074 4-168
AG562074 4-169
AG562074 4-17
AG562074 4-170
AG562074 4-171
AG562074 4-182
AG562074 4-183
AG562074 4-184
AG562074 4-185
AG562074 4-188
AG562074 4-194
AG562074 4-195
AG562074 4-198
AG562074 4-199
AG562074 4-2
AG562074 4-202
AG562074 4-209
AG562074 4-210
AG562074 4-211
AG562074 4-212
AG562074 4-213
AG562074 4-214
AG562074 4-215
AG562074 4-217
AG562074 4-218
AG562074 4-219
AG562074 4-229
AG562074 4-230
AG562074 4-231
AG562074 4-232
AG562074 4-235
AG562074 4-236
AG562074 4-237
AG562074 4-238
AG562074 4-239

AG562074 4-4
AG562074 4-44
AG562074 4-46
AG562074 4-47
AG562074 4-48
AG562074 4-49
AG562074 4-50
AG562074 4-51
AG562074 4-55
AG562074 4-56
AG562074 4-57
AG562074 4-58
AG562074 4-59
AG562074 4-60
AG562074 4-69
AG562074 4-78
AG562074 4-91
AG562074 4-92
AG562074 4-93
AG562074 4-94
AG562074 4-95
AG562074 4-96
AG562074 4-97
AG562074 4-98
AG562074 6-13
AG562074 6-51
AG562074 7-4
AG562074 7-7
AG562074 8-10
AG562074 8-11
AG562074 8-12
AG562074 8-13
AG562079 11-22
AG562079 5-68
AG562079 5-72
AG562080 2-19
AG562082 3-65
AG562082 3-66
AG562082 4-100
AG562082 4-101
AG562082 4-102
AG562082 4-103
AG562082 4-104
AG562082 4-107
AG562082 4-120
AG562082 4-121
AG562082 4-129
AG562082 4-142
AG562082 4-143
AG562082 4-144
AG562082 4-145
AG562082 4-154
AG562082 4-155
AG562082 4-156
AG562082 4-158
AG562082 4-159
AG562082 4-170
AG562082 4-182
AG562082 4-183

NUMERIC INDEX

AG562082	4-199	AG562304	1-19	AG562712	4-74
AG562082	4-212	AG562304	4-62	AG562712	4-75
AG562082	4-213	AG562304	4-63	AG562712	4-76
AG562082	4-214	AG562304	4-65	AG562712	4-77
AG562082	4-215	AG562304	4-66	AG562712	4-79
AG562082	4-217	AG562304	4-67	AG562712	4-80
AG562082	4-218	AG562304	4-68	AG562712	4-81
AG562082	4-219	AG562304	4-71	AG562712	4-82
AG562082	4-229	AG562304	4-72	AG562712	4-83
AG562082	4-232	AG562304	4-75	AG562712	4-84
AG562082	4-236	AG562304	4-76	AG562792	6-50
AG562082	4-237	AG562304	4-77	AG562793	6-21
AG562082	4-239	AG562304	4-80	AG562793	6-37
AG562082	4-85	AG562304	4-81	AG562793	6-38
AG562082	4-86	AG562304	4-83	AG562793	6-39
AG562082	4-93	AG562304	4-84	AG562890	4-44
AG562082	4-94	AG562327	6-38	AG562971	6-26
AG562082	4-96	AG562327	6-39	AG562971	6-27
AG562082	4-98	AG562327	7-3	AG563036	3-31
AG562082	6-47	AG562330	8-3	AG563036	3-33
AG562090	2-7	AG562354	5-41	AG563036	3-41
AG562090	3-56	AG562364	11-81	AG563038	8-2
AG562090	3-57	AG562364	11-87	AG563039	8-2
AG562105	4-154	AG562372	5-41	AG563055	4-41
AG562105	4-229	AG562385	1-35	AG563055	8-2
AG562120	11-22	AG562401	5-81	AG563061	4-101
AG562120	11-31	AG562467	11-25	AG563061	4-102
AG562120	11-7	AG562496	4-1	AG563061	4-105
AG562120	1-35	AG562496	4-18	AG563061	4-106
AG562120	5-15	AG562496	4-200	AG563061	4-108
AG562120	5-41	AG562496	4-4	AG563061	4-109
AG562120	5-68	AG562496	4-5	AG563061	4-119
AG562120	5-72	AG562496	4-6	AG563061	4-122
AG562123	1-3	AG562496	4-8	AG563061	4-146
AG562123	1-35	AG562496	5-74	AG563061	4-148
AG562123	1-5	AG562537	3-27	AG563061	4-149
AG562123	1-7	AG562537	3-36	AG563061	4-154
AG562123	4-149	AG562538	3-20	AG563061	4-162
AG562123	4-44	AG562538	3-24	AG563061	4-169
AG562123	8-1	AG562538	4-191	AG563061	4-184
AG562136	6-26	AG562538	4-40	AG563061	4-198
AG562136	6-27	AG562560	5-62	AG563061	4-210
AG562136	6-35	AG562584	11-25	AG563061	4-211
AG562136	6-44	AG562607	4-41	AG563061	4-229
AG562136	6-55	AG562621	5-46	AG563061	4-49
AG562148	10-8	AG562639	6-50	AG563061	4-50
AG562148	11-51	AG562693	8-2	AG563061	4-51
AG562193	3-29	AG562712	4-61	AG563061	4-55
AG562193	3-34	AG562712	4-62	AG563061	4-56
AG562199	7-8	AG562712	4-63	AG563061	4-57
AG562237	11-66	AG562712	4-64	AG563061	4-58
AG562237	11-68	AG562712	4-65	AG563061	4-69
AG562237	11-70	AG562712	4-66	AG563061	4-78
AG562251	6-10	AG562712	4-67	AG563061	4-87
AG562251	6-34	AG562712	4-68	AG563061	4-88
AG562291	3-28	AG562712	4-70	AG563061	4-91
AG562291	3-32	AG562712	4-71	AG563061	4-92
AG562291	3-38	AG562712	4-72	AG563061	4-95
AG562304	1-17	AG562712	4-73	AG563061	4-97

NUMERIC INDEX

AG563069	2-3	AG601411	4-191	AG609084	1-5
AG563069	4-25	AG601411	6-13	AG609084	1-7
AG563070	2-7	AG601764	2-19	AG609084	4-40
AG563095	4-137	AG602132	11-1	AG609113	4-49
AG563095	4-34	AG602132	11-43	AG609113	4-50
AG563095	4-35	AG602132	3-1	AG609470	4-52
AG563096	4-137	AG602132	3-2	AG609471	4-52
AG563096	4-34	AG602132	3-34	AG609474	4-52
AG563096	4-35	AG602132	5-11	AG609475	4-52
AG563151	1-9	AG602132	5-12	AG609476	4-52
AG563174	11-83	AG602132	5-36	AG609477	4-52
AG563175	11-83	AG602132	5-65	AG609555	6-11
AG563176	4-44	AG603864	3-28	AG609555	6-9
AG563176	6-58	AG603864	3-32	AG609556	6-11
AG563176	6-61	AG603864	3-37	AG609557	6-11
AG563176	6-69	AG603864	3-38	AG609737	4-137
AG600008	2-19	AG603864	3-43	AG609737	4-34
AG600016	2-19	AG603864	3-45	AG609737	4-35
AG600830	8-1	AG603864	3-50	AG609738	4-137
AG601152	10-5	AG603864	3-52	AG609738	4-34
AG601152	10-7	AG604138	4-90	AG609738	4-35
AG601152	11-28	AG604167	11-53	AG609739	4-137
AG601152	11-52	AG604167	11-58	AG609739	4-34
AG601152	11-61	AG604167	1-16	AG609739	4-35
AG601152	11-72	AG604167	11-73	AG609741	4-137
AG601152	2-19	AG604167	11-76	AG609741	4-34
AG601152	2-30	AG604167	1-3	AG609741	4-35
AG601152	3-1	AG604167	1-5	AG609743	4-137
AG601152	3-12	AG604167	1-7	AG609745	4-137
AG601152	3-16	AG604184	3-48	AG609747	4-35
AG601152	3-2	AG604185	11-25	AG609748	4-35
AG601152	3-20	AG604185	3-1	AG609777	2-3
AG601152	3-24	AG604185	3-2	AG609777	4-101
AG601152	3-4	AG604185	3-43	AG609777	4-102
AG601152	3-43	AG604185	3-45	AG609777	4-105
AG601152	3-45	AG604185	3-50	AG609777	4-106
AG601152	3-46	AG604185	3-52	AG609777	4-108
AG601152	3-50	AG604203	3-37	AG609777	4-109
AG601152	3-52	AG604203	3-38	AG609777	4-119
AG601152	3-8	AG604203	3-40	AG609777	4-122
AG601411	1-1	AG604216	3-43	AG609777	4-146
AG601411	1-15	AG604216	3-45	AG609777	4-147
AG601411	11-52	AG604216	3-47	AG609777	4-148
AG601411	11-61	AG606683	1-2	AG609777	4-149
AG601411	1-2	AG606683	1-4	AG609777	4-151
AG601411	1-24	AG606683	1-6	AG609777	4-152
AG601411	1-28	AG606707	5-62	AG609777	4-154
AG601411	1-32	AG609024	7-3	AG609777	4-162
AG601411	1-4	AG609084	1-15	AG609777	4-168
AG601411	1-6	AG609084	1-24	AG609777	4-169
AG601411	3-12	AG609084	1-25	AG609777	4-184
AG601411	3-16	AG609084	1-26	AG609777	4-185
AG601411	3-4	AG609084	1-28	AG609777	4-198
AG601411	3-43	AG609084	1-29	AG609777	4-209
AG601411	3-45	AG609084	1-3	AG609777	4-210
AG601411	3-50	AG609084	1-30	AG609777	4-211
AG601411	3-52	AG609084	1-32	AG609777	4-229
AG601411	3-55	AG609084	1-33	AG609777	4-230
AG601411	3-8	AG609084	1-34	AG609777	4-231

NUMERIC INDEX

AG609777	4-25	AG710516	1-19	AG714101	5-55
AG609777	4-26	AG710516	2-3	AG714101	5-58
AG609777	4-55	AG710516	2-7	AG714101	5-74
AG609777	4-56	AG710516	4-25	AG714828	6-38
AG609777	4-57	AG710516	4-61	AG714828	6-39
AG609777	4-58	AG710516	4-62	AG714832	11-48
AG609777	4-59	AG710516	4-63	AG714832	5-19
AG609777	4-60	AG710516	4-64	AG714832	5-69
AG609777	4-69	AG710516	4-65	AG714942	5-45
AG609777	4-78	AG710516	4-66	AG714982	2-28
AG609777	4-87	AG710516	4-67	AG714986	2-28
AG609777	4-88	AG710516	4-68	AG714988	2-28
AG609777	4-91	AG710516	4-70	AG714989	2-28
AG609777	4-92	AG710516	4-71	AG714990	2-28
AG609777	4-95	AG710516	4-72	AG714991	2-28
AG609777	4-97	AG710516	4-73	AG714992	2-28
AG609918	4-137	AG710516	4-74	AG714993	2-28
AG609921	4-137	AG710516	4-75	AG714994	2-28
AG609921	4-34	AG710516	4-76	AG714995	2-28
AG609922	4-137	AG710516	4-77	AG714996	2-11
AG609923	4-34	AG710516	4-79	AG714998	2-28
AG610179	4-31	AG710516	4-80	AG714999	5-10
AG610181	1-13	AG710516	4-81	AG715207	11-48
AG610516	5-8	AG710516	4-82	AG715207	5-19
AG700081	8-1	AG710516	4-83	AG715207	5-69
AG701010	8-4	AG710516	4-84	AG715567	11-48
AG701011	8-4	AG710638	2-1	AG715569	11-48
AG701012	8-4	AG710638	2-3	AG715569	5-19
AG701013	8-4	AG710638	2-7	AG715569	5-69
AG701014	8-4	AG710638	4-25	AG715570	11-48
AG701015	8-4	AG710638	8-2	AG715570	11-49
AG701016	8-4	AG710655	2-11	AG715570	5-19
AG703081	1-10	AG711024	10-6	AG715570	5-20
AG703083	1-10	AG711226	2-11	AG715570	5-69
AG703084	1-10	AG711448	6-38	AG715570	5-70
AG703308	5-75	AG711448	6-39	AG715571	11-49
AG706258	5-75	AG711522	1-12	AG715571	5-20
AG706259	5-75	AG711522	1-23	AG715571	5-70
AG706262	5-75	AG711522	1-27	AG716188	1-13
AG706263	5-75	AG711522	1-31	AG716190	1-13
AG706265	5-75	AG711522	1-8	AG716444	11-54
AG708300	2-4	AG711522	2-1	AG716744	11-35
AG708300	2-5	AG711522	4-43	AG716744	11-37
AG708300	4-11	AG711595	11-66	AG716744	11-55
AG708300	4-17	AG711595	11-68	AG716811	11-48
AG708300	4-2	AG711595	11-70	AG716811	11-49
AG708300	4-202	AG711903	2-11	AG716811	5-19
AG708307	5-75	AG711934	2-11	AG716811	5-69
AG708715	2-11	AG711986	1-23	AG716811	5-70
AG709046	1-10	AG711986	1-27	AG716814	11-48
AG709125	5-10	AG711986	1-31	AG716814	5-19
AG709339	2-32	AG711986	1-8	AG716814	5-69
AG709343	2-11	AG711986	4-43	AG717132	1-13
AG709344	2-11	AG713670	5-22	AG717132	2-8
AG710181	11-83	AG713710	7-6	AG717133	10-1
AG710367	1-1	AG714000	4-32	AG717712	11-49
AG710515	11-28	AG714004	4-31	AG717712	5-20
AG710515	2-3	AG714085	1-18	AG717712	5-70
AG710516	1-17	AG714101	5-51	AG718011	11-48

NUMERIC INDEX

AG718011	5-19	AG726982	4-3	CH148-8327	5-56
AG718011	5-69	AG727083	1-13	CH148-8327	5-59
AG718059	11-48	AG727085	1-13	CH148-8335	5-52
AG718059	5-19	AG727089	1-13	CH148-8335	5-56
AG718059	5-69	AG727098	5-10	CH148-8335	5-59
AG719528	6-38	AG727099	5-10	CH148-8340	11-22
AG719528	6-39	AG727100	5-10	CH148-8340	11-6
AG721680	4-32	AG727101	5-10	CH148-8340	11-7
AG721899	11-48	AG727103	5-62	CH148-8340	5-15
AG721899	5-19	AG727104	5-62	CH148-8340	5-68
AG721899	5-69	AG727106	5-62	CH148-8340	5-72
AG722268	2-32	AG727107	5-2	CH148-8347	11-38
AG722270	2-32	AG727108	5-38	CH148-8347	5-32
AG722818	2-11	AG727109	5-38	CH148-8347	5-37
AG722819	2-11	AG727110	5-38	CH148-8347	5-39
AG723074	1-13	AG727111	5-38	CH148-8347	5-47
AG723606	2-32	AG727112	5-2	CH148-8347	5-52
AG724335	2-32	AG727112	5-8	CH148-8347	5-66
AG724681	5-10	AG727113	5-8	CH148-8359	4-43
AG724682	5-10	AG727114	5-8	CH148-8378	11-19
AG724687	11-48	AG727115	5-8	CH148-8378	11-20
AG724687	5-19	AG727123	5-45	CH148-8378	11-22
AG724687	5-69	AG727124	5-45	CH148-8378	11-38
AG724790	2-11	AG727125	5-45	CH148-8378	11-7
AG724790	2-28	AG727126	5-45	CH148-8378	11-8
AG724793	2-11	AG727147	11-48	CH148-8378	11-9
AG725602	11-49	AG727147	5-19	CH148-8378	5-15
AG725602	5-19	AG727147	5-69	CH148-8378	5-32
AG725602	5-21	AG727427	2-25	CH148-8378	5-37
AG725602	5-69	AG727654	2-31	CH148-8378	5-39
AG725602	5-70	AG727654	2-33	CH148-8378	5-66
AG726404	5-49	AG727663	5-2	CH148-8378	5-68
AG726404	5-54	AG834159	6-38	CH148-8378	5-72
AG726837	7-3	AG834159	6-39	CH148-8433	11-7
AG726838	7-3	AG844769	1-10	CH148-8444	11-7
AG726839	7-3	AG845079	4-61	CH3K-0360	5-17
AG726841	7-3	AG845079	4-62	CH3K-0360	5-23
AG726843	7-3	AG845079	4-63	CH6V-8398	5-23
AG726844	7-3	AG845079	4-64	CH6V-8398	5-27
AG726845	7-3	AG845079	4-65	CH6V-8398	5-30
AG726845	7-5	AG845079	4-66	CH6V-8398	5-5
AG726845	7-8	AG845079	4-67	CH6V-8398	5-6
AG726846	7-3	AG845079	4-68	CH6V-8398	5-7
AG726847	7-3	AG845079	4-70	CH6V-8635	5-53
AG726848	7-3	AG845079	4-71	CH6V-8637	5-50
AG726849	7-3	AG845079	4-72	CH6V-8639	5-23
AG726850	7-3	AG845079	4-73	CH6V-8724	5-24
AG726853	11-48	AG845079	4-74	CH6V-9007	5-34
AG726853	5-19	AG845079	4-75	CH6V-9836	5-26
AG726853	5-69	AG845079	4-76	CH6V-9837	5-27
AG726854	11-48	AG845079	4-77	NS	2-23
AG726854	5-19	AG845079	4-79	NS	7-8
AG726854	5-69	AG845079	4-80	WR10359	3-20
AG726952	7-8	AG845079	4-81	WR10359	3-24
AG726981	2-18	AG845079	4-82	WR12030	2-19
AG726981	2-2	AG845079	4-83	WR121865	3-41
AG726981	4-3	AG845079	4-84	WR121865	3-48
AG726982	2-18	AG850263	1-10	WR122648	2-9
AG726982	2-2	CH148-8327	5-47	WR123067	3-40

NUMERIC INDEX

WR124539	3-43
WR124539	3-45
WR124539	3-50
WR124539	3-52
WR124586	7-5
WR125301	3-46
WR125305	3-47
WR125310	3-46
WR126491	3-43
WR126491	3-45
WR126491	3-50
WR126491	3-52
WR127095	4-9
WR127785	4-179
WR127785	4-180
WR127785	4-189
WR127785	4-207
WR127785	4-208
WR128835	3-43
WR128835	3-45
WR129085	4-6
WR129085	4-8
WR129086	4-28
WR129086	4-6
WR129086	4-8
WR129144	4-104
WR129144	4-108
WR129144	4-210
WR129144	4-211
WR129144	4-212
WR129144	4-213
WR129144	4-97
WR129144	4-98
WR129144	8-13
WR129194	3-46
WR129706	3-46
WR135545	3-43
WR135545	3-45
WR135545	3-50
WR135545	3-52
WR136831	3-65
WR136831	3-66
WR136832	3-65
WR136832	3-66
WR232770	3-59
WR32723	11-22
WR32723	5-68
WR32723	5-72
WR34606	3-43
WR34606	3-45
WR34606	3-50
WR34606	3-52
WR34609	3-43
WR34609	3-45
WR34609	3-50
WR34609	3-52
WR35020	2-2
WR35020	4-3
WR504301	4-2

WR55197	3-43
WR55197	3-45
WR55197	3-50
WR55197	3-52
WR55293	8-8
WR55589	1-11
WR55622	1-11



AGCO Corporation
4205 River Green Parkway
Duluth, GA 30096-2568

©AGCO Corporation, 2006
Printed in U.S.A.