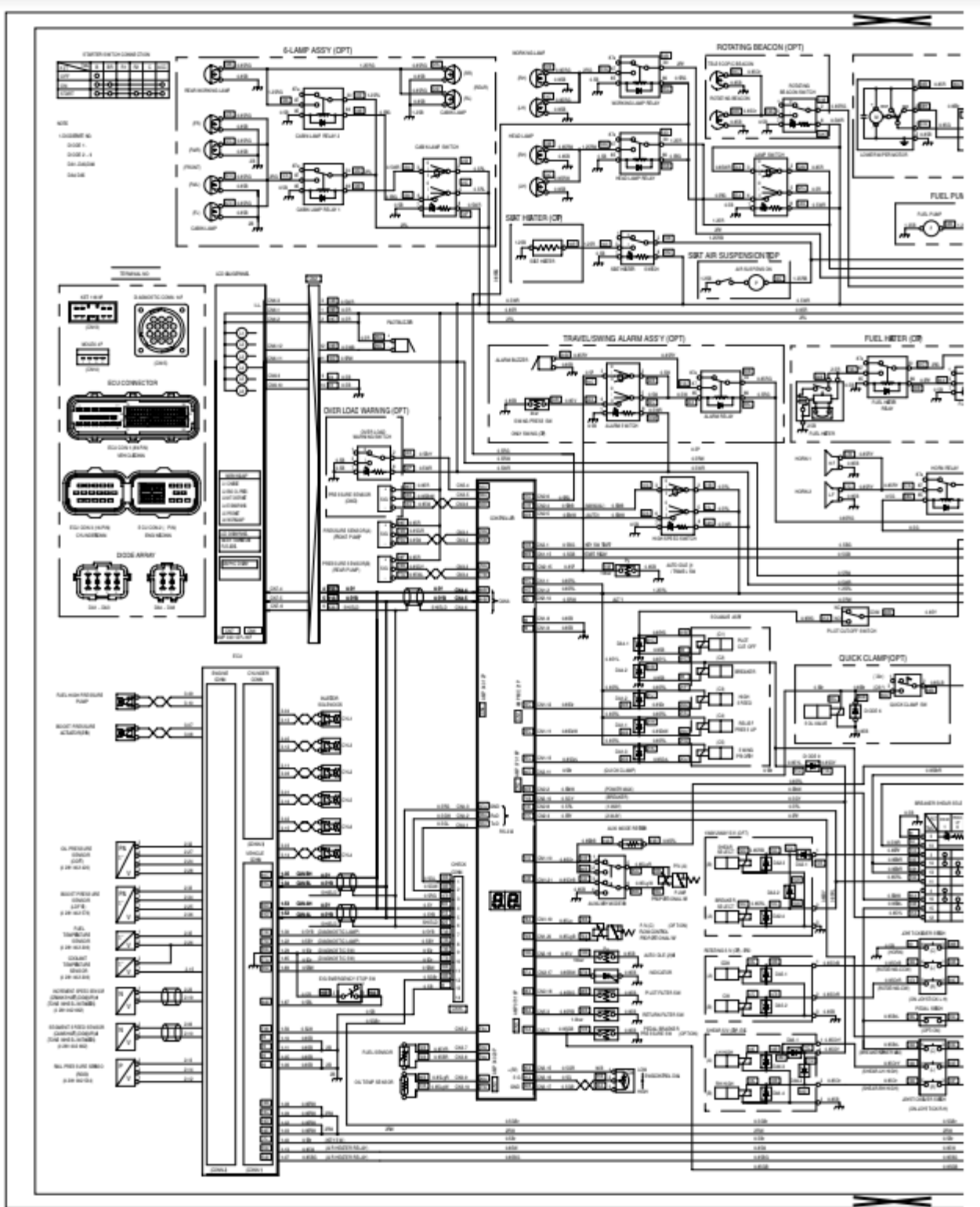
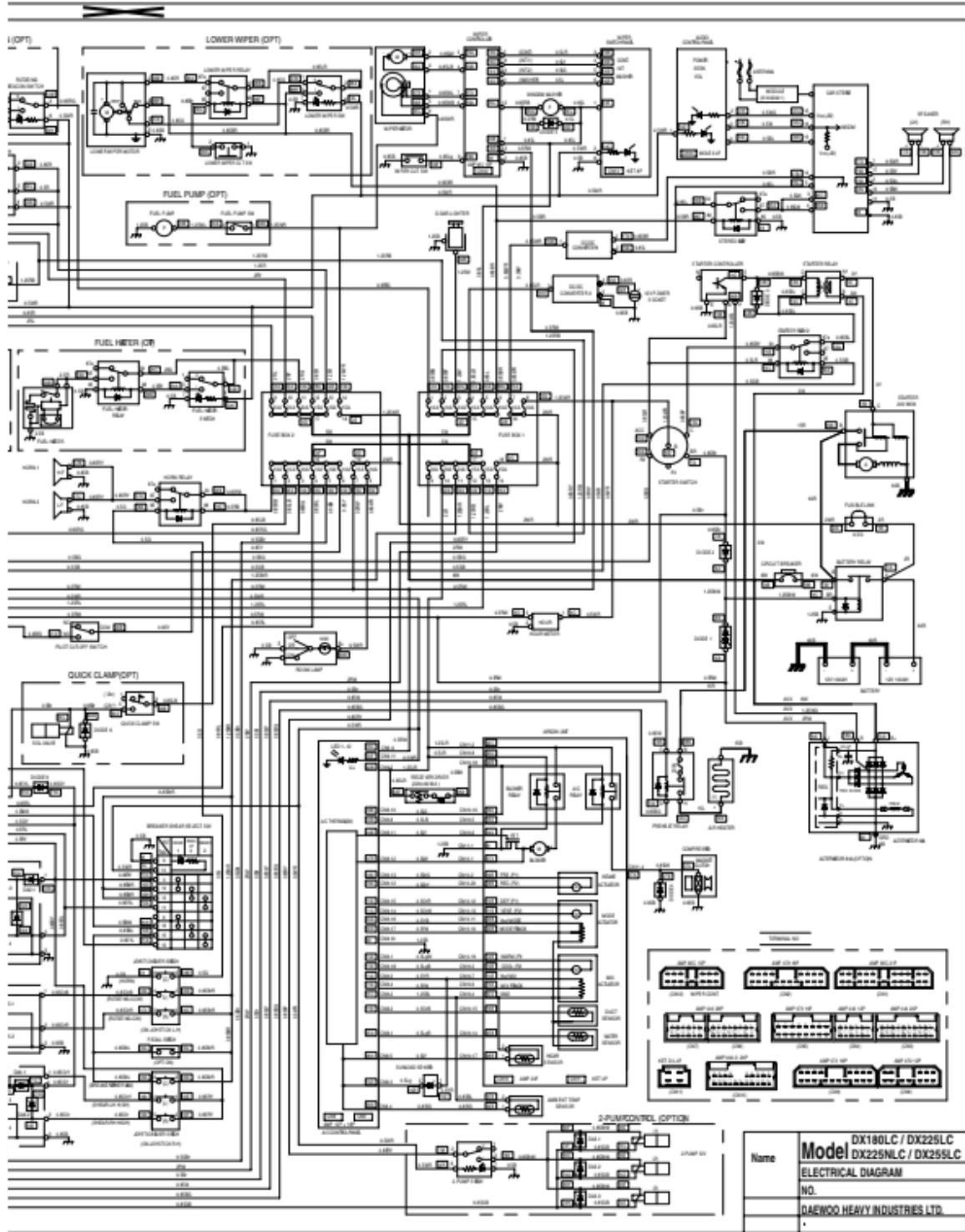


Figure 1

FG001435





FG007145