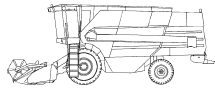


8300 / 8350

→ 61122
3906022M4 (1) 04/07



FENDT



MASSEY FERGUSON



Contents / Sommaire / Inhalt

CONTENTS

SECTION ONE

- GENERAL INFORMATION
- SYMBOLS
- GROUP INDEX ALPHA.
- RECOMMENDED STOCKING PARTS
- NUMERICAPL PART NUMBER INDEX

SECTION TWO

- ILLUSTRATIONS WITH REFERENCES
- PART NUMBER REFERENCE LISTS

SOMMAIRE

SECTION UNE

- INFORMATIONS GENERALES
- SYMBOLES
- GROUPE DE MONTAGE
- PIECES DONT LE STOCKAGE EST RECOMMANDE
- INDEX NUMERIQUE PIECES

SECTION DEUX

- ILLUSTRATIONS AVEC REFERENCES
- LISTES DES NUMEROS DE REFERENCE DES PIECES

INHALT

ABSCHNITT EINS

- ALLGEMEINE HINWEISE
- SYMBOLE
- GRUPPENVERZEICHNIS
- LAGERVOSCHLAGSTEILE
- NUMMERN INDEX





ABSCHNITT ZWEI

- ABBILDUNGEN MIT POSITIONS NUMMERN
- TEXTSEITEN MIT TEILENUMMERN

Generale Information

I PART NUMBER REFERENCE LIST

(1) EXAMPLE

A	B	C	D	E	F	G	H	J
1		<i>D61116894</i>	1		1	DIFFERENTIAL	DIFFERENTIEL	DIFFERENTIAL
2		<i>D61455593</i>	2		1	KIT	JEU	REPARATURSATZ
3			2	 REF.2	1	CROWNWHEEL	COURONNE	TELLERRAD
4			2	 REF.2	1	PINION	PIGNON	PINON
5	*	D55789492	2	 1234567	1	BOLT	BOULON	SCHRAUBE
6	*	D61735293	2	 1234567	1	BOLT	BOULON	SCHRAUBE

(2) EXPLANATION

COL. A	ILLUSTRATION REFERENCE NUMBER
COL. B	AN ASTERISK INDICATES A CHANGE SINCE LAST PUBLICATION
COL. C	PART NUMBER (SEE PARAGRAPH 2)
COL. D	ITEM ALSO A COMPONENT OF AN ASSEMBLY, SEE ASSEMBLY ILLUSTRATION NUMBER INDICATED
COL. E	COMMENT (SEE SYMBOLS AND NOTES)
COL. F	QUANTITY REQUIRED (SEE NOTE BELOW)
COL. G,H,J	DESCRIPTION LANGUAGE FORMAT: ENGLISH, FRENCH, GERMAN

II PART NUMBER IDENTIFICATION

D61116894 = RECOMMENDED STOCKING PARTS AND MARKETING KEY PARTS

D61455593 = RECOMMENDED STOCKING PARTS

D55789492 = MARKETING KEY PARTS INDEX

D61735293 = PART WITHOUT SPECIFIC MARKS

(3) SPECIAL NOTES

THE QUANTITY SHOWN IN COLUMN 'F' IS THE QUANTITY REQUIRED FOR THE PARTICULAR APPLICATION THAT IS ILLUSTRATED. WHERE THESE PARTS ARE COMPONENTS OF AN ASSEMBLY THIS REFERS TO THE QUANTITY IN ONE ASSEMBLY OR SUB-ASSEMBLY.

FOR PARTS SUCH AS SHIMS, WASHERS, ETC. AN 'X' IN THE QUANTITY COLUMN MEANS 'QUANTITY AS REQUIRED'

THE PARTS BOOKS NUMBER, ISSUE NUMBER AND DATE ARE SHOWN IN THE LOWER RIGHT HAND CORNER OF THE ILLUSTRATED PAGE, THE ISSUE NUMBER IS PRINTED IN BRACKETS.

RECOMMENDED STOCKING PARTS

THE INDEX OF THESE PARTS INCLUDES A COLUMN QTY REPORTING THE QUANTITY USED FOR EACH PART IN THE RELEVANT FITTING.





SAFETY NOTE

WHEN ORDERING REPLACEMENT PARTS TO WHICH SAFETY DECALS WERE ORIGINALLY ATTACHED THE APPROPRIATE SAFETY DECALS MUST BE ORDERED AND FITTED.

Informations Generales

I LISTES DES NUMEROS DE REFERENCE DES PIECES

(1) EXEMPLE

A	B	C	D	E	F	G	H	J
1		D61116894	1		1	DIFFERENTIAL	DIFFERENTIEL	DIFFERENTIAL
2		D61455593	2		1	KIT	JEU	REPARATURSATZ
3			2 	REF.2	1	CROWNWHEEL	COURONNE	TELLERRAD
4			2 	REF.2	1	PINION	PIGNON	PINON
5	*	D55789492	2 	1234567	1	BOLT	BOULON	SCHRAUBE
6	*	D61735293	2 	1234567	1	BOLT	BOULON	SCHRAUBE

(2) EXPLICATIONS

COL. A	NUMERO DE REFERENCE DE L'ILLUSTRATION
COL. B	UN ASTERISQUE INDIQUE UN CHANGEMENT DEPUIS LA DERNIERE EDITION
COL. C	NUMERO DE PIECE (VOIR PARAGRAPHE 2)
COL. D	PIECES COMPRISE DANS L'ENSEMBLE DONT LE NUMERO DE REFERENCE DE L'ILLUSTRATION EST INDIQUE
COL. E	REMARQUE (VOIR SYMBOLES ET NOTES)
COL. F	QUANTITE (VOIR NOTE CI-DESSOUS)
COL. G.H.J	DESIGNATION ORDRE DES LANGUES ANGLAIS, FRANCAIS, ALLEMAND

II IDENTIFICATION DES NUMEROS DE PIECES

D61116894 = PIECES DONT LE STOCKAGE EST RECOMMANDE ET PIECES DE VENTES COURANTES

D61455593 = PIECES DONT LE STOCKAGE EST RECOMMANDE

D55789492 = PIECES DE VENTES COURANTES

D61735293 = PIECES SANS SIGNIFICATION PARTICULIERE

(3) NOTES SPECIALES

LA QUANTITE INDIQUEE DANS LA COLONNE 'F' EST CELLE APPLICABLE A L'ENSEMBLE ILLUSTRE SUR LA PAGE ADJACENTE, LE NOMBRE INDIQUE DONC LA QUANTITE DANS L'ENSEMBLE OU SOUS-ENSEMBLE ET NON POUR LA MACHINE COMPLETE.

POUR DES PIECES TELLES QUE CALLES D'EPaisseur, RONDELLES, ETC. UN 'X' DANS LA COLONNE QUANTITE SIGNIFIE 'SUIVANT BESOIN' LE NUMERO DU CATALOGUE, LE NUMERO D'EMISSION ET LA DATE SONT INDIQUES DANS LE COIN INFERIEUR DROIT DE LA PAGE ILLUSTREE, LE NUMERO D'EMISSION EST IMPRIME ENTRE PARENTHESES.

PIECES DONT LE STOCKAGE EST RECOMMANDE

L'INDEX DE CES PIECES INCLUS UNE COLONNE QTY QUI LISTE LA QUANTITE UTILISEE DE CHAQUE PIECE POUR LE MONTAGE.





NOTE DE SECURITE

LORS DU REMPLACEMENT DE PIECES MUNIES A L'ORIGINE D'UNE DECALCOMANIE DE SECURITE, LA DECALCOMANIE CORRESPONDANTE DOIT AUSSI ETRE COMMANDEE ET MONTEE.

Allgemeine Hinweise

I TEXTSEITEN MIT TEILENUMMERN

(1) BEISPEIL

A	B	C	D	E	F	G	H	J
1		D61116894	1		1	DIFFERENTIAL	DIFFERENTIEL	DIFFERENTIAL
2		D61455593	2		1	KIT	JEU	REPARATURSATZ
3			2 	REF.2	1	CROWNWHEEL	COURONNE	TELLERRAD
4			2 	REF.2	1	PINION	PIGNON	PINON
5	*	D55789492	2 	1234567	1	BOLT	BOULON	SCHRAUBE
6	*	D61735293	2 	1234567	1	BOLT	BOULON	SCHRAUBE

(2) ERLAEUTERUNG

COL. A	POSITIONSNUMMER DER ABBILDUNG
COL. B	EIN STERN BEDEUTET AENDERUNG GEGENUEBER VORIGER PUBLIKATION
COL. C	TEILENUMMER (SIEHE ABSATZ 2)
COL. D	EINZELTEIL VON KOMPLETTEIL, DESSEN POSITIONSDNUMMER HIER ANGEGEBEN IST
COL. E	BEMERKUNGEN (SIEHE SYMBOLE UND HINWEISE)
COL. F	ANZAHL (SIEHE UNTENSTEHENDE ANMERKUNG)
COL. G.H.J	SPRACHEN-BESCHREIBUNG ENGLICH, FRANZOESISCH, DEUTSCH

II FESTSTELLEN DER TEILNUMMER

D61116894 = LAGERVORSCHLAGSTEILE UND SCHWERPUNKTTEILE MARKETING

D61455593 = LAGERVORSCHLAGSTEILE

D55789492 = SCHWERPUNKTTEILE MARKETING

D61735293 = TEIL OHNE SPEZIFIKATIONS KENNZEICHNUNG

(3) ANMERKUNGEN

DIE IN SPALTE 'F' AUFGEFUEHRTE ANZAHL IST DIE AN DIESER STELLE BENOETIGTE ANZAHL, FALLS ES SICH UM EIN EINZELTEIL EINES KOMPLETTEILS HANDELT, IST DIE ANZAHL PRO KOMPLETTEIL ORDER ZUSAMMENBAU GEMEINT. FUER TEILE WIE EINSTELLBLECHE, SCHEIBEN USW BEDEUTET EIN 'X' IN DER ANZAHLSPALTE 'ANZAHL NACH BEDARF'.

DIE TEILENUMMER DER ERSATZTEILLISTE, AUSGABENUMMER UND DATUM SIND IN DER RECHTEN UNTEREN ECKE DER BILDSEITE AUFGEFUEHRT, DIE AUSGABENUMMER STEHT IN KLAMMERN.

ZUR LAGERHALTUNG EMPFOHLENE ERSATZTEILE DER ERSATZTEIL INDEX ENTHAELT EINE SPALTE "MENGE", WELCHE DIE ZUM ZUSAMMENBAU ERFORDERLICHE ANZAHL ANGIBT.

WICHTIGER HINWEIS

WENN ERSETZTE TEILE BESTELT WERDEN, BEI DENEN SICHERHEITSABZIEHBILDER WAREN, MUESSEN DIE ENTSPRECHENDEN SICHERHEITSABZIEHBILDER BESTELT UND ANGEBRACHT WERDEN.

Symbols / Symboles / Symbole

	FOUR WHEEL DRIVE	4 ROUES MOTRICES	4 RAD ANTRIEB
	TWO WHEEL DRIVE	2 ROUES MOTRICES	2 RAD ANTRIEB
	FOR GERMANY ONLY OR ANY TEXT IN GERMAN ONLY	POUR ALLEMAGNE SEULEMENT OU EN ALLEMAND	NUR FUER DEUTSCHLAND ODER TEXT NUR IN DEUSCH
	FOR FRANCE ONLY OR ANY TEXT IN FRENCH ONLY	POUR FRANCE SEULEMENT OU EN FRANCAIS	NUR FUER FRANKREICH ODER TEXT NUR IN FRANZOESICH
	FOR ITALY ONLY OR ANY TEXT IN ITALIAN ONLY	POUR ITALIE SEULEMENT OU EN ITALIEN	NUR FUER ITALIEN ODER TEXT NUR IN ITALIENSCH
	FOR UK ONLY OR ANY TEXT IN ENGLISH ONLY	POUR ROYAUME UNI SEULEMENT OU EN ANGLAIS	NUR FUER ENGLAND ODER TEXT NUR IN ENGLISCH
	FOR AMERICAS REGION	POUR AMERIQUES	FUER AMERICA
	FOR ASIA/AFRICA/ AUSTRALASIA REGION	POUR ASIE/AFRIQUE/AUSTRALASIE	FUER ASIEN/AFRIKA/ AUSTRALASIEN
	FOR EXPORT EUROPE	POUR EXPORT EUROPE	FUER EUROPA
	FOR UNITED STATES OF AMERICA	POUR ETATS UNIS D'AMERIQUE	FUER USA
	FOR AUSTRALIA	POUR AUSTRALIE	FUER AUSTRALIEN
	FOR SWEDEN	POUR SUEDE	FUER SCHWEDEN
	FOR NORWAY	POUR NORVEGE	FUER NORWEGEN
	FOR SOUTH AFRICA	POUR AFRIQUE DU SUD	FUER SUED-AFRIKA
	REPLACE AND REPAIR - OLD IS NOT INTERCHANGEABLE WITH NEW	REPLACE ET RECHANGE NON INTERCHANGEABLE	FUER ERSATZ ALTE VERSION NICHT AUSTAUS. MIT NEVER VERSION
	REPLACE AND REPAIR OLD AND NEW INTERCHANGEABLE	REPLACE ET RECHANGE INTERCHANGEABLE	FUER ERSATZ ALTE VERSION AUSTAUS. MIT NEVER VERSION
	RIGHT HAND	DROITE	RECHTS
	LEFT HAND	GAUCHE	LINKS
	WIDTH	LARGEUR	BREITE
	LENGTH	LONGUEUR	LANGUE
	TICKNESS	EPAISSEUR	STAERKE
	DIAMETER	DIAMETRE	DURCHMESSER
	NUMBER OF TEETH / SPLINES	NOMBRE DE DENTS / CANNELURES	ANZAHL DER ZAEHNE/YERZAHNUNG
	TOP	HAUT	OBEN
	BOTTOM	BAS	UNTEN
	FROM SERIAL OR ENGINE NUMBER	A PARTIR DU NUMERO DE SERIE DU NUMERO DE MOTEUR	AB SERIEN-ODER MOTOR NUMMER
	UP TO SERIAL OR ENGINE NUMBER	JUSQU'AU NUMERO DE SERIE OU NUMERO DE MOTEUR	BIS DEN-ODER MOTOR NUMMER
	FROM SERIAL NUMBER CAN BE USED ON OLDER MACHINES	A PARTIR DU NUMERO DE SERIE VALABLE POUR ANCIENS MONTAGES	AB SERIEN NUMBER / KANN AUF ALTERE MONTAGE VERWENDET
	REPAIRS TO REPLACES	REPLACE ET RECHANGE	ERSETZT
	SEE PAGE REFERENCE NUMBER	VOIR PAGE NUMERO DE REFERENCE	SIEHE SEITE - POSITIONSNUMMER
	ALTERNATIVE	ALTERNATIVE	WAHLWEISE
	NOT SERVICED, ORDER	PAS FOURNIES, COMMANDER	NICHT LIEFERTEILE, BESTELLE
	WITHOUT OR NO FOR EXAMPLE: NOT FOR ENGLAND	SANS OU PAS EXEMPLE: PAS POUR ANGLETERRE	OHNE ODER NICHT FUER BEISPEL: NICHT FUER ENGLAND

Z001

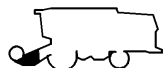
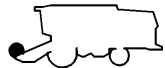


TABLE
BARRE DE COUPE
SCHNEIDWERK
BARRA DE CORTE

1

Z002



REEL
RABATTEUR
HASPEL
MOLINETE

2

Z003



TABLE CHANNEL
CONVOYEUR
SCHNEIDWERKKANAL
CANAL DE LA BARRA DE CORTE

3

Z004



CONCAVE, THRESHING DRUM AND REAR BEATER
CONTRE BATTEUR, BATTEUR ET TIRE-PAILLE
DRESCHKORB, DRESCHTROMMEL UND STROHFORDERER
CONCAVO, CILINDRO LANZAPAJAS

4

Z005



STRAW SHAKER
SECOUEURS
STROHSCHUTTLER
SACUDIDOR DE PAJA

5

Z006



CLEANING UNIT AND MAIN FAN
CAISSON DE NETTOYAGE ET VENTILATEUR
SIEBKASTEN UND GEBLASE
CAJON DE CRIBA Y VENTILADOR DE LA CRIBAS

6

Z007



ELEVATORS
ELEVATEURS
ELEVATOREN
ELEVADORES

7

Z008



ENGINE
MOTEUR
MOTOR
MOTOR

8

Z009



GRAIN TANK - GUARDS
TREMIE - GARANT
KORNTANK - ABSCHIRMUNG
DEPOSITO DE GRANO - APANTALLADO







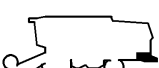
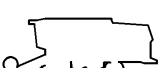
9

Z010



DRIVE UNIT
ORGANES D'ENTRAINEMENT
ANTRIEBSAGGREGAT
GRUPO DE PROPULSION

10

		PAGE
Z011	 <p>TRANSMISSIONS TRANSMISSIONS UBERTRAGUNGEN TRANSMISIONES</p>	11
Z012	 <p>CHASSIS CHASSIS RAHMEN PARTA BAJA DE LA CARROCERIA</p>	12
Z013	 <p>OPERATOR PLATFORM PLATE-FORME DE CONDUITE FAHRERSTAND PLATAFORMA DE CONDUCCION</p>	13
Z014	 <p>HYDRAULIC HYDRAULIQUE HYDRAULIK HIDRAULICA</p>	14
Z015	 <p>MACHINE HOUSING - GUARDS HOTTE MACHINE - GARANTS MASHINENGEHAUSE - ABSCHIRMUNG CUERPO DE LA MAQUINA - APANTALLADA</p>	15
Z016	 <p>TOOLS & ELECTRICAL SYSTEM OUTILLAGE & SYSTEME ELECTRIQUE WERKZEUG UND ELEKTRISCHES SYSTEM HERRAMIENTAS Y SISTEMA ELECTRICO</p>	16
Z017	 <p>STRAW CHOPPER BROYEUR DE PAILLE STROHHACKSLER PICAJAJAS</p>	17
Z018	 <p>DECALS DECALCOMANIES ABZIEHBILDER CALCOMANÍAS</p>	18

ALPHABETICAL INDEX

	PAGE
Chassis	
4 Wheel Drive	12- 7
Differential	12- 12
Final Drive	12- 13
Final Drives - Auto Level	12- 2
Final Drives - Std. Combine	12- 1
Front Axle And Gearbox - Auto Level	12- 4
Front Axle And Gearbox - Standard Combine	12- 3
Input Shaft And Pinions	12- 11
Intermediate Shaft & First Motion Shaft	12- 10
Pressure Lube And Parking Brake	12- 9
Rear Axle	12- 5
Rear Axle	12- 5
Traction Wheel And Rear Wheel	
Auto Level And 4wd	12- 14
Traction Wheel And Rear Wheel	
Standard	12- 15
Working Brake	12- 8
Cleaning Unit And Main Fan	
Chaff Spreader - Rekord	6- 13
Conveyor Pan And Suspension	6- 12
Counter Drive	6- 6
Eccentric Drive	6- 7
Electric Screen	6- 16
Fan Housing - Doors And Batteries	6- 4
Fan Housing And Guarding	6- 2
Fan Housing, Mantle And Rotary Air Intake	6- 1
Hydraulic Pump For Chaff Spreader	6- 14
Lower Shaker Shoe And Sieves	6- 8
Lower Shaker Shoe And Suspension	6- 9
Main Fan Blade And Bottom Auger	6- 3
Main Fan Variator	6- 5
Upper Shaker Shoe And Sieves	6- 10
Upper Shaker Shoe And Suspension	6- 11
Windbreak And Side Guard For Chaff Spreader	6- 15
Concave, Threshing Drum And Rear Beater	
Check Flaps	4- 6
Concave	4- 1
Concave Adjustment	4- 2
Concave, Cylinder And Grain Separator	4- 7
Drum Cover And Stone Trap	4- 4
Rear Beater	4- 5
Threshing Drum	4- 3
Decals	
Decals	18- 1
Security Decal	18- 2
Drive Unit	
Cooling System And Ventilator Screen	10- 2
Engine Bonnet	10- 8
Engine Bracket	10- 4
Exhaust & Air Filter	10- 9
Fan Housing	10- 7
Fuel Tank	10- 10
Hydraulic Cooler	10- 1
Power Take-Off	10- 6
Prop. Pump And Hydr. Pump	10- 5
Rotary Screen	10- 3
Elevators	
Filler Pipe	7- 3
Filling And Return Elevator Transmissions	7- 2
Filling Elevator	7- 1
Return Elevator	7- 4
Returns Thresher	7- 5
Engine	
Alternator	8- 39
Alternator	8- 39
Belt Tensioner	8- 37

Belt Tensioner	8- 37
Centrigual - Oil Filter	8- 24
Cylinder Block Equipment	8- 4
Drive Shaft	
Fan Engine	8- 19
Electronic Engine Management	8- 45
Engine	8- 1
Engine	
Cylinder Block	8- 2
Engine	
Cylinder Block	8- 2
Engine	
Timing Gear Housing	8- 5
Engine	
Timing Gear Housing	8- 5
Engine	
Flywheel	8- 7
Engine	
Crankshaft, Pistons & Piston Rod	8- 8
Engine	
Crankshaft, Pistons & Piston Rod	8- 8
Engine	
Crankshaft, Pistons & Piston Rod	8- 8
Engine	
Camshaft & Rocker Arm	8- 11
Engine	
Camshaft & Rocker Arm	8- 11
Engine	
Cylinder Head	8- 13
Engine	
Cylinder Head	8- 13
Engine	
Cylinder Head Cover	8- 15
Engine	
Oil Sump	8- 16
Engine	
Oil Pump	8- 17
Engine	
Oil Cooler	8- 18
Engine	
Water Pump	8- 20
Engine	
Water Pump	8- 20
Engine	
Injection Pump	8- 22
Engine	
Injection Pump	8- 22
Engine	
Fuel Pipe	8- 26
Engine	
Fuel Pipe	8- 26
Engine	
Injector	8- 28
Engine	
Intake & Exhaust Manifold	8- 29
Engine	
Intake & Exhaust Manifold	8- 29
Engine	
Intake & Exhaust Manifold	8- 29
Engine	
Fuel Filter	8- 32
Engine	
Fuel Filter	8- 32
Engine	
Turbo Compressor	8- 35
Engine	
Turbo Compressor	8- 35
Engine	
Thermostat	8- 44
Engine	

ALPHABETICAL INDEX

	PAGE
Repair Kit	8- 49
Engine	
Repair Kit	8- 49
Feed Pump	8- 25
Joints And Gaskets	8- 46
Joints And Gaskets	8- 46
Joints And Gaskets	8- 46
Sedimenter	8- 34
Starter	8- 41
Starter	8- 41
Stop Magnet	8- 43
Grain Tank - Guards	
Discharge Auger Pipe	9- 2
Grain Tank Covers	9- 7
Guards - Grain Tank Bottom	9- 6
Guards - Grain Tank Top	9- 4
Guards - Grain Tank Top	9- 4
Unloading Auger - Transmission	9- 3
Unloading Auger -Swivel Part	9- 1
Hydraulic	
Auto Level Combine	14- 15
Auto Level Combine - Table	14- 6
Hydraulic - Reel Fore/Aft.	14- 4
Hydraulic Symbols	14- 1
Hydraulic Symbols	14- 1
Hydraulics - Chaff Spreader - Rekord	14- 14
Hydraulics - Cylindervariator	14- 5
Hydraulics - Gearshift	14- 9
Hydraulics - Pump And Main Valve	14- 10
Hydraulics - Reel Speed	14- 7
Hydraulics - Reel Up/Down	14- 3
Hydraulics - Steering Gear	14- 12
Hydraulics - Table Up/Down	14- 11
Hydraulics - Unloading Auger Out/In	14- 13
Pipe Support	14- 16
Propulsion Hydraulic	14- 8
Machine Housing - Guards	
Bottom Lh Guard	15- 2
Bottom Rh Guard And Ladder	15- 1
Side Member & Straw Guide	15- 4
Straw Hood Bottom	15- 5
Straw Hood Top	15- 3
Operator Platform	
Air Conditioner	13- 10
Air Conditioner	13- 10
Back Plate, Platform And Bottom Mat	13- 1
Brake Pedals And Gearshift	13- 3
Cab Roof And Air-Conditioning	13- 9
Cab Roof And Side Members	13- 2
Electrical Multifunction Lever	13- 4
Frontpanel, Side Members And Datavision	13- 8
Glass	13- 7
Instrument Panel & Control Box	13- 5
Operator Seat	13- 6
Platform And Ladder	13- 12
Steering Wheel And Column	13- 13
Reel	
Reel - Left Hand	2- 3
Reel - Right Hand	2- 1
Reel Suspension And Hydraulic Cylinders	2- 4
Reel Suspension And Hydraulic Motor	2- 2
Straw Chopper	
Counter Drive - Straw Chopper	17- 6
Counter Drive - Straw Chopper	17- 6
Deflector Plate	17- 4
Straw Chopper - Rekord	17- 1
Straw Chopper - Rekord	17- 1

Straw Chopper - Rekord	17- 1
Straw Chopper Clutch - Rekord	17- 9
Straw Chopper Maize Equipment	17- 8
Straw Deflector And El.Adjustment	17- 5

Straw Shaker

Second Grain Pan	5- 2
Straw Shaker And Cranks	5- 1
Straw Walker Transmission	5- 3

Table

Decals	1- 32
Electric Vertical Knife	1- 31
Feeder Drum Left Hand - Powerflow	1- 14
Feeder Drum Right Hand - Powerflow-	1- 13
Guarding And Transmissions - Freeflow	1- 4
Guarding And Transmissions - Powerflow	1- 9
Guarding And Transmissions - Powerflow	1- 9
Knives And Fingers - Freeflow	1- 1
Knives And Fingers - Powerflow	1- 6
Knives And Fingers - Powerflow	1- 6
Lightening Bracket	1- 30
Multi-Coupling	1- 33
Oilseed Rape Auger	1- 22
Oilseed Rape Auger	1- 22
Powerflow Band - Front	1- 19
Powerflow Band - Front	1- 19
Powerflow Band - Rear	1- 18
Powerflow Band - Rear	1- 18
Straw Dividers	1- 24
Straw Dividers	1- 24
Tabel Auger Left Hand - Powerflow	1- 8
Table Auger Left Hand - Freeflow	1- 3
Table Auger Right Hand - Freeflow	1- 2
Table Auger Right Hand - Powerflow	1- 7
Table Housing And Guarding - Freeflow	1- 5
Table Housing And Guarding - Powerflow	1- 10
Table Housing And Guarding - Powerflow	1- 10
Table Housing And Guarding - Powerflow	1- 10
Table Housing And Guarding - Powerflow	1- 10
Table Trailer	1- 26
Table Trailer	1- 26
Table Trailer - With Trailor Braking	1- 28
Table Trailer - Without Trailor Brake	1- 29

Table Channel

Adapter	3- 6
Adapter	3- 6
Adapter And Cover Plate	3- 8
Adapter And Cover Plate	3- 8
Elevator Shaft - Top And Pivot	3- 1
Elevator Shaft - Top And Pivot	3- 1
Feeder Chain And Protective Plates	3- 2
Feeder Chain And Protective Plates	3- 2
Feeder Shaft - Lower	3- 4
Feeder Shaft - Lower	3- 4
Hydraulic Cylinder	3- 3
Hydraulic Cylinder	3- 3
Hydraulic Reversing	3- 9
Hydraulic Reversing	3- 9
Table Clutch	3- 11
Transmission	3- 5
Transmission Auto Level - Table	3- 16
Transmission Auto Level Combine	3- 15
Transmission Std. Combine	3- 17

Tools & Electrical System

Electric Box Standard And Auto Level Combine	16- 2
Electrical Components For Electric Box	16- 5
Electrical Parts	16- 3
Electrical Parts	16- 3
Electrical Wiring	
Computer Harness	16- 6
Electrical Wiring	

ALPHABETICAL INDEX

	PAGE
Computer Harness	16- 6
Electrical Wiring	
Computer Harness	16- 6
Electrical Wiring	
Cab Harness	16- 9
Electrical Wiring	
Cab Harness	16- 9
Electrical Wiring	
Cab Harness	16- 9
Electrical Wiring	
Cab Harness	16- 9
Electrical Wiring	
Lighting	16- 14
Electrical Wiring	
Lighting	16- 14
Electrical Wiring	
Engine Harness	16- 16
Electrical Wiring	
Engine Harness	16- 16
Electrical Wiring	
Machine Harness	16- 18
Electrical Wiring	
Machine Harness	16- 18
Electrical Wiring	
Machine Harness	16- 18
Electrical Wiring	
Machine Harness	16- 18
Electrical Wiring	
Machine Harness	16- 18
Electrical Wiring	
Machine Harness	16- 18
Electrical Wiring	
Machine Harness	16- 18
Electrical Wiring	
Machine Harness	16- 18
Electrical Wiring	
Fuse Box Harness	16- 25
Electrical Wiring	
Fuse Box Harness	16- 25
Electrical Wiring	
Cutting Table Harness	16- 27
Electrical Wiring	
Equipment Harness	16- 28
Electrical Wiring	
Equipment Harness	16- 28
Electrical Wiring	
Equipment Harness	16- 28
Electrical Wiring	
Equipment Harness	16- 28
Electrical Wiring	
Equipment Harness	16- 28
Mobil Gps Receiver Antenna	16- 33
Mobil Landstar Dgps	16- 34
Mobil Rds Dgps	16- 35
Tools - Paint	16- 1
 Transmissions	
Belt Mounting, Left Side	11- 3
Belt Mounting, Right Side	11- 4
Countershaft	11- 1
Cylinder Transmission	11- 2

INDEX ALPHABETIQUE

	PAGE
Barre De Coupe	
Bande Powerflow - Arriere	1- 18
Bande Powerflow - Arriere	1- 18
Barre Lumineuse	1- 30
Caisson De Barre De Coupe Et Plaque - Pf	1- 16
Caisson De Barre De Coupe Et Plaque - Pf	1- 16
Caisson De Barre De Coupe Et Plaques - Freeflow	1- 5
Caisson De Barre De Coupe Et Plaques Powerflow	1- 10
Caisson De Barre De Coupe Et Plaques Powerflow	1- 10
Coupleur Hydrau. Accoupl. Rapide	1- 33
Decalcomanies	1- 32
Diviseurs	1- 24
Diviseurs	1- 24
Lame Verticale Electrique	1- 31
Lames Et Doigts - Freeflow	1- 1
Lames Et Doigts - Powerflow	1- 6
Lames Et Doigts - Powerflow	1- 6
Plaques Et Transmission - Powerflow	1- 15
Plaques Et Transmissions - Freeflow	1- 4
Plaques Et Transmissions - Powerflow	1- 9
Powerflow Band - Avant	1- 19
Powerflow Band - Avant	1- 19
Remorque Barre De Coupe - Avec Freinage De Remorque	1- 28
Remorque Barre De Coupe - Sans Freinage De Remorque	1- 29
Remorque Pour Barre De Coupe	1- 26
Remorque Pour Barre De Coupe	1- 26
Vis D'Alimentation Droit - Powerflow	1- 13
Vis D'Alimentation Droite - Freeflow	1- 2
Vis D'Alimentation Droite - Powerflow	1- 7
Vis D'Alimentation Gauche - Freeflow	1- 3
Vis D'Alimentation Gauche - Powerflow	1- 8
Vis D'Alimentation Gauche - Powerflow	1- 8
Vis D'Alimentation Pour Colza	1- 22
Vis D'Alimentation Pour Colza	1- 22
Broyeur De Paille	
Broyeur De Paille - Rekord	17- 1
Broyeur De Paille - Rekord	17- 1
Broyeur De Paille - Rekord	17- 1
Broyeur De Paille Equipment Mais	17- 8
Deflecteur De Paille	17- 4
Deflecteur De Paille Et Commande Electrique	17- 5
Embrayage Broyeur De Paille - Rekord	17- 9
Entrainement - Broyeur De Paille	17- 6
Entrainement - Broyeur De Paille	17- 6
Caisson De Nettoyage Et Ventilateur	
Ailette Ventilateur Et Vis De Fond	6- 3
Boitier Du Vent. - Trappes De Visite Et Batteries	6- 4
Boitier Ventilateur Et Plaque Protectrice	6- 2
Boitier Ventilateur, Plaque Et Tamis	6- 1
Coffre De Nettoyage Inferieure Et Grilles	6- 8
Coffre De Nettoyage Inferieure Et Suspension	6- 9
Coffre De Nettoyage Superieur Et Suspension	6- 11
Coffre De Nettoyage Superieure Et Grilles	6- 10
Deflecteur D'Air Et Lateral - Eparpilleur Menus-Pa	6- 15
Entrainement	6- 6
Epandeur De Menus Paille - Rekord	6- 13
Grille Electrique	6- 16
Pompe Hydr. D'Eparpilleur Menus-Paille	6- 14
Table De Reception Et Suspension	6- 12
Transmission Excentrique	6- 7
Variateur De Ventilateur	6- 5
Chassis	
4 Roues Motrices	12- 7
Arbre D'Entree Et Pignons	12- 11
Arbre Intermediaire Et Arbre Principal	12- 10
Differentiel	12- 12
Essieu Arriere	12- 5
Essieu Arriere	12- 5
Essieu Avant Et Boite De Vitesses - Auto Level	12- 4
Essieu Avant Et Boite De Vitesses - Mois.Batt.Std.	12- 3
Freins	12- 8

Graissage Sous Pression Et Frein De Stationnement	12- 9
Reducteurs - Auto Level	12- 2
Reducteurs - Mois.Batt.Std.	12- 1
Reduction Finale	12- 13
Roues Motrices Et Roue Arriere	
Auto Level Et 4rm	12- 14
Roues Motrices Et Roue Arriere	
Standard	12- 15
Contre Batteur, Batteur Et Tire-Paille	
Batteur	4- 3
Contre Batteur, Batteur Et Separateur Rotatif	4- 7
Contre-Batteur	4- 1
Couvercle Et Bac A Pierres	4- 4
Deflecteur De Paille	4- 6
Reglage Contre-Batteur	4- 2
Tire-Paille	4- 5
Convoyeur	
Adaptateur	3- 6
Adaptateur	3- 6
Adaptateur Et Couvercle	3- 8
Adaptateur Et Couvercle	3- 8
Arbre - Inferieur	3- 4
Arbre - Inferieur	3- 4
Arbre - Superieur Et Suspension	3- 1
Arbre - Superieur Et Suspension	3- 1
Chaines Du Convoyeur Et Toles Protectrices	3- 2
Chaines Du Convoyeur Et Toles Protectrices	3- 2
Embrayage De La Barre De Coupe	3- 11
Inversion Hydraulique	3- 9
Inversion Hydraulique	3- 9
Transm. Moissonneuse-Batteuse Std.	3- 17
Transmission	3- 5
Transmission Auto Level - Barre De Coupe	3- 16
Transmission Moissonneuse-Batteuse Auto Level	3- 15
Verin Hydraulique	3- 3
Verin Hydraulique	3- 3
Decalcomanies	
Decalcomanies	18- 1
Decalcomanies Securite	18- 2
Elevateurs	
Balleur De Retour	7- 5
Elevateur De Remplissage	7- 1
Elevateur De Remplissage Et Retour Par Transmissions	7- 2
Elevateur Otons	7- 4
Tuyau De Remplissage	7- 3
Hotte Machine - Garants	
Longeron Et Guide Paille	15- 4
Tole Protectrice Droite Inferieure Et Escalier	15- 1
Tole Protectrice G, Inferieure	15- 2
Tole Superieure De La Hotte	15- 3
Tolerie Inferieure	15- 5
Hydraulique	
Epandeur De Manus Paille Hydr. - Rekord	14- 14
Hydraulique - Barre De Coupe Haut/Bas	14- 11
Hydraulique - Organes De Direction	14- 12
Hydraulique - Pomp Et Distr. Princ.	14- 10
Hydraulique - Rabatteurs Av/Ar	14- 4
Hydraulique - Rabatteurs Haut/Bas	14- 3
Hydraulique - Regime Rabatteurs	14- 7
Hydraulique - Variateur Batteur	14- 5
Moiss.Batt. Auto Level - Barre De Coupe Auto Devers	14- 6
Moissonneuse - Batteuse Auto Level	14- 15
Porte-Tube	14- 16
Symboles Hydrauliques	14- 1
Symboles Hydrauliques	14- 1
Systeme Hydraulique - Changement De Vitesses	14- 9
Systeme Hydraulique - Orientation Vis De Vidange	14- 13

INDEX ALPHABETIQUE

	PAGE
Transmission Hydrostatique	14- 8
Moteur	
Alternateur	8- 39
Alternateur	8- 39
Arbres De Transmission	
Ventilateur Moteur	8- 19
Centrifuge - Filtre A Huile	8- 24
Demarreur	8- 41
Demarreur	8- 41
Equipement Bloc Cylindre	8- 4
Gestion Moteur Electronique	8- 45
Joints	8- 46
Joints	8- 46
Joints	8- 46
Moteur	8- 1
Moteur	
Bloc Cylindre	8- 2
Moteur	
Bloc Cylindre	8- 2
Moteur	
Carter De Distribution	8- 5
Moteur	
Carter De Distribution	8- 5
Moteur	
Volant Moteur	8- 7
Moteur	
Vilebrequin, Pistons & Bielles	8- 8
Moteur	
Vilebrequin, Pistons & Bielles	8- 8
Moteur	
Vilebrequin, Pistons & Bielles	8- 8
Moteur	
Arbre A Cames & Culbuteurs	8- 11
Moteur	
Arbre A Cames & Culbuteurs	8- 11
Moteur	
Culasse	8- 13
Moteur	
Culasse	8- 13
Moteur	
Cache Culbuteurs	8- 15
Moteur	
Carter D'Huile	8- 16
Moteur	
Pompe A Huile	8- 17
Moteur	
Refroidisseur D'Huile	8- 18
Moteur	
Pompe A Eau	8- 20
Moteur	
Pompe A Eau	8- 20
Moteur	
Pompe D'Injection	8- 22
Moteur	
Pompe D'Injection	8- 22
Moteur	
Tuyau A Carburant	8- 26
Moteur	
Tuyau A Carburant	8- 26
Moteur	
Injecteurs	8- 28
Moteur	
Collecteur Admission & Echappemnt	8- 29
Moteur	
Collecteur Admission & Echappemnt	8- 29
Moteur	
Collecteur Admission & Echappemnt	8- 29
Moteur	
Filtre A Carburant	8- 32
Moteur	

	Filtre A Carburant	8- 32
Moteur		
	Turbo Compresseur	8- 35
Moteur		
	Turbo Compresseur	8- 35
Moteur		
	Thermostat	8- 44
Moteur		
	Kit De Reparation	8- 49
Moteur		
	Kit De Reparation	8- 49
	Pompe D' Alimentation	8- 25
	Sedimenteur	8- 34
	Stop Magnetique	8- 43
	Tendeur De Courroies	8- 37
	Tendeur De Courroies	8- 37

Organes D'Entrainement

	Arbre Sortie Moteur	10- 6
	Boite De Ventilateur	10- 7
	Capot Moteur	10- 8
	Echappement & Filtre A Air	10- 9
	Pompe D'Avancement Et Pompe Hydraulique	10- 5
	Radiateur Hydraulique	10- 1
	Reservoir A Carburant	10- 10
	Support Moteur	10- 4
	Systeme De Refroidissem. Et Garant Du Ventilateur	10- 2
	Tamis Rotatif	10- 3

Outillage & Systeme Electrique

	Boitier Electrique Machine Standard Et Auto Level	16- 2
	Cablage Electrique	
	Faisceau Ordinateur	16- 6
	Cablage Electrique	
	Faisceau Ordinateur	16- 6
	Cablage Electrique	
	Faisceau Ordinateur	16- 6
	Cablage Electrique	
	Faisceau Cabine	16- 9
	Cablage Electrique	
	Faisceau Cabine	16- 9
	Cablage Electrique	
	Faisceau Cabine	16- 9
	Cablage Electrique	
	Faisceau Cabine	16- 9
	Cablage Electrique	
	Eclairage	16- 14
	Cablage Electrique	
	Eclairage	16- 14
	Cablage Electrique	
	Faisceau Moteur	16- 16
	Cablage Electrique	
	Faisceau Moteur	16- 16
	Cablage Electrique	
	Faisceau Machine	16- 18
	Cablage Electrique	
	Faisceau Machine	16- 18
	Cablage Electrique	
	Faisceau Machine	16- 18
	Cablage Electrique	
	Faisceau Machine	16- 18
	Cablage Electrique	
	Faisceau Machine	16- 18
	Cablage Electrique	
	Faisceau Machine	16- 18
	Cablage Electrique	
	Faisceau Boite A Fusibles	16- 25

INDEX ALPHABETIQUE

	PAGE
Cablage Electrique	
Faisceau Boite A Fusibles	16- 25
Cablage Electrique	
Faisceau Barre De Coupe	16- 27
Cablage Electrique	
Faisceau Equipement	16- 28
Cablage Electrique	
Faisceau Equipement	16- 28
Cablage Electrique	
Faisceau Equipement	16- 28
Cablage Electrique	
Faisceau Equipement	16- 28
Composants Electriques	16- 3
Composants Electriques	16- 3
Composants Electriques Pour Boitier Electrique	16- 5
Outils - Peinture	16- 1
Systeme Gps Recepteur Antenne	16- 33
Systeme Landstar Dgps	16- 34
Systeme Rds Dgps	16- 35
Plate-forme de conduite	
Bras Multifonction Electrique	13- 4
Climatiseur	13- 10
Climatiseur	13- 10
Pedals De Frein Et Changement Vitesses	13- 3
Plate-Forme Et Escal.	13- 12
Rehausse De Cabine Et Poteaux	13- 2
Revetement Arr. Plate-Forme Et Tapis De Sol	13- 1
Siege	13- 6
Tableau Avant, Poteaux Lat. Et Datavision	13- 8
Tableau De Bord & Boite De Commande	13- 5
Toit De Cabine Et Air-Conditionne	13- 9
Vitres	13- 7
Volant De Direction Et Colonne	13- 13
Rabatteur	
Fixation Et Moteur Hydraulique	2- 2
Fixation Et Verins Hydrauliques	2- 4
Rabatteur - Droit	2- 1
Rabatteur - Gauche	2- 3
Secoueurs	
Secoueurs Et Vilebrequins	5- 1
Secoueurs Transmission	5- 3
Table De Retour	5- 2
Transmissions	
Arbre Principal	11- 1
Schema De Montage Des Courroies Cote Droit	11- 4
Schema De Montage Des Courroies Cote Gauche	11- 3
Transmission Batteur	11- 2
Tremie - Garant	
Couvercles De La Tremie	9- 7
Garant - Fond De Tremie	9- 6
Garant - Rehausse De Tremie	9- 4
Garant - Rehausse De Tremie	9- 4
Tuyau De Vidange	9- 2
Vis De Vidange - Partie Mobile	9- 1
Vis De Vidange - Transmission	9- 3

ALPHABETISCHER INDEX

	PAGE
Abziehbilder	
Abziehbilder	18- 1
Sicherheit Abziehbilder	18- 2
Antriebsaggregat	
Antriebspumpe Und Hydr. Pumpe	10- 5
Auspuff & Luftfilter	10- 9
Geblaesegehaeuse	10- 7
Hydraulikkoebler	10- 1
Kraftstoffbehaelter	10- 10
Kraftuebertragung	10- 6
Kuehlsystem Und Ventilatorschirm	10- 2
Motorhaube	10- 8
Motorkonsole	10- 4
Rotierender Staubabscheider	10- 3
Dreschkorb, Dreschtrommel Und Strohforderer	
Dreschkorb	4- 1
Dreschkorb, Zylinder Und Kaernerabscheider	4- 7
Dreschtrommel	4- 3
Halmschirme	4- 6
Korbverstellung	4- 2
Strohforderer	4- 5
Trommeldeckel Und Steinfangmulde	4- 4
Elevatoren	
Fuell Und Ueberkehr Elevator Transmissions	7- 2
Fuellelevator	7- 1
Fuellrohr	7- 3
Ueberkehrdrescher	7- 5
Ueberkehrrelevator	7- 4
Fahrerstand	
Bremspedale Und Gangwechsel	13- 3
Elektrische Handgriff	13- 4
Fahrersitz	13- 6
Hinterwand, Fahrerstand Und Bodenmatte	13- 1
Instrumentenbrett & Bedienungskasten	13- 5
Kabinendach Und Klimatisierung	13- 9
Kabinendach Und Seitenstolpen	13- 2
Klimaanlage	13- 10
Klimaanlage	13- 10
Lenkrad Und Saeuleteleskopisch	13- 13
Plattform Und Leiter	13- 12
Scheiben	13- 7
Vorderwand, Seitenstolpen Und Datavision	13- 8
Haspel	
Haspel - Links	2- 3
Haspel - Rechts	2- 1
Haspelaufhangung Und Hydraulikmotor	2- 2
Haspelaufhangung Und Hydraulikzylinder	2- 4
Hydraulik	
Antriebshydraulik	14- 8
Auto Level Maschine	14- 15
Auto Level Maschine - Schneidwerk	14- 6
Hydraulik - Entleerundsschnecke Aus/Ein	14- 13
Hydraulik - Gangwechsel	14- 9
Hydraulik - Haspel Auf/Ab	14- 3
Hydraulik - Haspel Vorew./Roeckw.	14- 4
Hydraulik - Haspelumdrehungen	14- 7
Hydraulik - Lenkvorrichtung	14- 12
Hydraulik - Pumpe Und Hauptventil	14- 10
Hydraulik - Schneidwerk Auf/Ab	14- 11
Hydraulik - Spreuverteiler - Rekord	14- 14
Hydraulik - Zylindervariator	14- 5
Hydraulik Symbol	14- 1
Hydraulik Symbol	14- 1
Rohrtrager	14- 16
Korntank - Abschirmung	
Abschirmung Korntankboden	9- 6

Abschirmung Korntankdeckel	9- 4
Abschirmung Korntankdeckel	9- 4
Entleerungsschnecke - Drejnarer Teil	9- 1
Entleerungsschnecke -Uebertragung	9- 3
Entleerungsschneckenrohr	9- 2
Korntankdeckel	9- 7

Mashinengehause - Abschirmung

Abschirmung Unten Links	15- 2
Abschirmung Unten Rechts Und Aufstiegleiter	15- 1
Strohhaube Oben	15- 3
Strohhaube Unter	15- 5
Wange Und Strohleiter	15- 4

Motor

Abstellmagnet	8- 43
Anlasser	8- 41
Anlasser	8- 41
Antriebswellen	
Luefter Motor	8- 19
Aussenliegend	8- 34
Dichtungen	8- 46
Dichtungen	8- 46
Dichtungen	8- 46
Foerderpumpe	8- 25
Motor	8- 1
Motor	
Zylinderblock	8- 2
Motor	
Zylinderblock	8- 2
Motor	
Steuerradgehause	8- 5
Motor	
Steuerradgehause	8- 5
Motor	
Schwungrad	8- 7
Motor	
Kurbelwelle, Kolben & Pleuelstang	8- 8
Motor	
Kurbelwelle, Kolben & Pleuelstang	8- 8
Motor	
Kurbelwelle, Kolben & Pleuelstang	8- 8
Motor	
Nockenwelle & Schwinghebel	8- 11
Motor	
Nockenwelle & Schwinghebel	8- 11
Motor	
Zylinderkopf	8- 13
Motor	
Zylinderkopf	8- 13
Motor	
Zylinderkopfhaube	8- 15
Motor	
Olgehause	8- 16
Motor	
Olpumpe	8- 17
Motor	
Ölkühler	8- 18
Motor	
Wasserpumpe	8- 20
Motor	
Wasserpumpe	8- 20
Motor	
Einspritzpumpe	8- 22
Motor	
Einspritzpumpe	8- 22
Motor	
Kraftstoffleitung	8- 26
Motor	
Kraftstoffleitung	8- 26
Motor	

ALPHABETISCHER INDEX

	PAGE
Einspritzduese	8- 28
Motor	
Saugkrummer & Auspuffkrummer	8- 29
Motor	
Saugkrummer & Auspuffkrummer	8- 29
Motor	
Saugkrummer & Auspuffkrummer	8- 29
Motor	
Kraftstoffsieb	8- 32
Motor	
Kraftstoffsieb	8- 32
Motor	
Turbokompressor	8- 35
Motor	
Turbokompressor	8- 35
Motor	
Thermostat	8- 44
Motor	
Reparatursatz	8- 49
Motor	
Reparatursatz	8- 49
Riemenspanner	8- 37
Riemenspanner	8- 37
Schleuder - Hydraulikoeffilter	8- 24
Verwaltung Motor Electronische	8- 45
Wechselstromdynamo	8- 39
Wechselstromdynamo	8- 39
Zylinderblock Zusammenbau	8- 4
Rahmen	
Antriebsraeder Und Hinterraeder	
Auto Level Und 4wd	12- 14
Antriebsraeder Und Hinterraeder	
Standard	12- 15
Antriebswelle Und Ritzel	12- 11
Betriebsbremse	12- 8
Differential	12- 12
Druckschmierung Und Parkbremse	12- 9
Endantrieb	12- 13
Endantriebe - Auto Level	12- 2
Endantriebe Standard Maschine	12- 1
Hinterachse	12- 5
Hinterachse	12- 5
Vierradantrieb	12- 7
Vorderachse Und Getriebe - Auto Level	12- 4
Vorderachse Und Getriebe - Standard Maschine	12- 3
Zwischenwelle Und Hauptantriebswelle	12- 10
Schneidwerk	
Abziehbilder	1- 32
Beleuchtungsbaum	1- 30
Bleche Und Uebertragungen - Powerflow	1- 15
Bleche Und Uebertragungen - Freeflow	1- 4
Bleche Und Uebertragungen- Powerflow	1- 9
Elektrische Trennmesser	1- 31
Foerdertrommel Links - Freeflow	1- 3
Foerdertrommel Links - Powerflow	1- 8
Foerdertrommel Rechts - Freeflow	1- 2
Foerdertrommel Rechts - Powerflow	1- 7
Foerdertrommel Links - Powerflow	1- 14
Foerdertrommel Rechts - Powerflow	1- 13
Messer Und Finger - Freeflow	1- 1
Messer Und Finger - Powerflow	1- 6
Messer Und Finger - Powerflow	1- 6
Multi-Kuppling	1- 33
Powerflow Band - Hinter	1- 18
Powerflow Band - Hinter	1- 18
Powerflow Band - Vorder	1- 19
Powerflow Band - Vorder	1- 19
Raps Schnecke	1- 22
Raps Schnecke	1- 22
Schneidwerksgehaeuse Und Bleche - Freeflow	1- 5
Schneidwerksgehaeuse Und Bleche - Powerflow	1- 10

Schneidwerksgehaeuse Und Bleche - Powerflow	1- 10
Schneidwerksgehaeuse Und Bleche - Powerflow	1- 16
Schneidwerksgehaeuse Und Bleche - Powerflow	1- 16
Schneidwerkwagen	1- 26
Schneidwerkwagen	1- 26
Schneidwerkwagen - Mit Anhaengerbremsung	1- 28
Schneidwerkwagen - Ohne Anhaengebrems	1- 29
Strohabteiler	1- 24
Strohabteiler	1- 24

Schneidwerkkanal

Adapter	3- 6
Adapter	3- 6
Adapter Und Abdeckblech	3- 8
Adapter Und Abdeckblech	3- 8
Foerderwelle - Oben Mit Aufhaengung	3- 1
Foerderwelle - Oben Mit Aufhaengung	3- 1
Forderkette Und Schutzbleche	3- 2
Forderkette Und Schutzbleche	3- 2
Foerderwelle - Unten	3- 4
Foerderwelle - Unten	3- 4
Hydraulikzylinder	3- 3
Hydraulikzylinder	3- 3
Reversiervorrichtung	3- 9
Reversiervorrichtung	3- 9
Schneidwerkkupplung	3- 11
Transmission Auto Level - Schneidwerk	3- 16
Transmission Auto Level Maschine	3- 15
Triebwerk	3- 5
Uebertragung Std. Maschine	3- 17

Siebkasten Und Geblase

Elektrisch Sieb	6- 16
Exzenterantrieb	6- 7
Geblaeseflugel Und Bodenschnecke	6- 3
Geblaesegehaeuse - Klappen Und Batterien	6- 4
Geblaesegehaeuse Und Abschirmung	6- 2
Geblaesegehaeuse, Huelle Und Saugkorb	6- 1
Geblaesevariator	6- 5
Hydraulikpumpe Fuer Spreuverteiler	6- 14
Oberer Siebkasten Und Aufhaengung	6- 11
Oberer Siebkasten Und Sieben	6- 10
Spreuverteiler - Rekord	6- 13
Unterer Siebkasten Und Aufhaengung	6- 9
Unterer Siebkasten Und Sieben	6- 8
Windschirm Und Seitenschirm Fuer Spreuverteiler	6- 15
Zufuhrboden Und Aufhaengung	6- 12
Zwischenantrieb	6- 6

Strohhacksler

Strohhacksler Maisausruestung	17- 8
Strohhacksler - Rekord	17- 1
Strohhacksler - Rekord	17- 1
Strohhacksler - Rekord	17- 1
Strohhaeckslerkupplung - Rekord	17- 9
Verteilerblech	17- 4
Verteilerblech Und El.Regelung	17- 5
Zwischenantrieb - Strohhacksler	17- 6
Zwischenantrieb - Strohhacksler	17- 6

Strohschuttler

Ruecklaufboden	5- 2
Schuetzler Getriebe	5- 3
Strohschuetzler Und Kurbeln	5- 1

Ubertragungen

Riemenmontierung	11- 3
Riemenmontierung	11- 3
Vorgelegewelle	11- 1
Zylindertransmission	11- 2

Werkzeug Und Elektrisches System

Elektrische Komponenten Fuer Schaltschrank	16- 5
Elektrische Teile	16- 3

ALPHABETISCHER INDEX

	PAGE
Elektrische Teile	16- 3
Elektrisches Verkabelung	
Computer Kabelstrang	16- 6
Elektrisches Verkabelung	
Computer Kabelstrang	16- 6
Elektrisches Verkabelung	
Computer Kabelstrang	16- 6
Elektrisches Verkabelung	
Kabine Kabelstrang	16- 9
Elektrisches Verkabelung	
Kabine Kabelstrang	16- 9
Elektrisches Verkabelung	
Kabine Kabelstrang	16- 9
Elektrisches Verkabelung	
Kabine Kabelstrang	16- 9
Elektrisches Verkabelung	
Kabine Kabelstrang	16- 9
Elektrisches Verkabelung	
Beleuchtung	16- 14
Elektrisches Verkabelung	
Beleuchtung	16- 14
Elektrisches Verkabelung	
Motor Kabelstrang	16- 16
Elektrisches Verkabelung	
Motor Kabelstrang	16- 16
Elektrisches Verkabelung	
Maschine Kabelstrang	16- 18
Elektrisches Verkabelung	
Maschine Kabelstrang	16- 18
Elektrisches Verkabelung	
Maschine Kabelstrang	16- 18
Elektrisches Verkabelung	
Maschine Kabelstrang	16- 18
Elektrisches Verkabelung	
Maschine Kabelstrang	16- 18
Elektrisches Verkabelung	
Maschine Kabelstrang	16- 18
Elektrisches Verkabelung	
Sicherungskasten Kabelstrang	16- 25
Elektrisches Verkabelung	
Sicherungskasten Kabelstrang	16- 25
Elektrisches Verkabelung	
Schneidwerk Kabelstrang	16- 27
Elektrisches Verkabelung	
Ausrüstung Kabelstrang	16- 28
Elektrisches Verkabelung	
Ausrüstung Kabelstrang	16- 28
Elektrisches Verkabelung	
Ausrüstung Kabelstrang	16- 28
Elektrisches Verkabelung	
Ausrüstung Kabelstrang	16- 28
Elektrisches Verkabelung	
Ausrüstung Kabelstrang	16- 28
Gps System Empfangs	16- 33
Landstar System Dgps	16- 34
Rds System Dgps	16- 35
Schaltschrank Standard Auto Level Maschine	16- 2
Werkzeuge - Farbe	16- 1

INDICE ALFABETICO

	PAGE
Barra de corte	
Aclopador Hydrau. Acople Rapido	1- 33
Alfombra Powerflow - Delantero	1- 19
Alfombra Powerflow - Delantero	1- 19
Apantallado Y Transmisiones - Powerflow	1- 9
Apantallado Y Transmisiones-Freeflow	1- 4
Apantallado Y Transmisiones-Powerflow	1- 15
Cajon De La Barra De Corte Y Pantallas Powerflow	1- 10
Cajon De La Barra De Corte Y Pantallas Powerflow	1- 10
Cajon De La Barra De Corte Y Pantallas-Freeflow	1- 5
Cajon De La Barra De Corte Y Pantallas-Powerflow	1- 16
Cajon De La Barra De Corte Y Pantallas-Powerflow	1- 16
Calcomanias	1- 32
Cinta Powerflow - Trasero	1- 18
Cinta Powerflow - Trasero	1- 18
Cuchilla Lateral Electrica	1- 31
Cuchillas Y Dedos - Freeflow	1- 1
Cuchillas Y Dedos - Powerflow	1- 6
Cuchillas Y Dedos - Powerflow	1- 6
Placa De Luces	1- 30
Remolque Pare La Barre De Corte	1- 26
Remolque Pare La Barre De Corte	1- 26
Remolque Pare La Barre De Corte - Con Trailor Braking	1- 28
Remolque Pare La Barre De Corte - Sin Freno Remolque	1- 29
Separador De Paja	1- 24
Separador De Paja	1- 24
Sinfin Alimentador Derecho - Powerflow	1- 7
Sinfin Alimentador Derecho-Freeflow	1- 2
Sinfin Alimentador Derecho-Powerflow	1- 13
Sinfin Alimentador Izquierdo-Freeflow	1- 3
Sinfin Alimentador Izquierdo-Powerflow	1- 8
Sinfin Alimentador Izquierdo-Powerflow	1- 8
Sinfin Para Colza	1- 22
Sinfin Para Colza	1- 22
Cajon de criba y ventilador de la cribas	
Ala Del Ventilador Y Sinfin Inferior	6- 3
Caja Del Vent. - Peldano De Visita Y Batterias	6- 4
Caja Del Ventilador De Las Cribas Y Apantallado	6- 2
Caja Ventilador De Cribas, Envolverte Y Cedazo Asp	6- 1
Cajon De Criba Inferior Y Criba	6- 8
Cajon De Criba Inferior Y Snsension	6- 9
Cajon De Criba Superior Y Cribas	6- 10
Cajon De Criba Superior Y Suspension	6- 11
Deflector De Aire Lateral - Dispersare Menudas Pajas	6- 15
Electrica Criba	6- 16
Esparcidor De Granzas - Rekord	6- 13
Mesa De Preparacion Y Suspension	6- 12
Pompa Hidrau. Para Dispersar Las Menudas Pajas	6- 14
Traccion Excentrica	6- 7
Traccion Intermedia	6- 6
Variador Del Ventilador De Las Cribas	6- 5
Calcomanías	
Calcomanias	18- 1
Calcomanias Seguridad	18- 2
Canal de la barra de corte	
Adaptore	3- 6
Adaptore	3- 6
Adaptore Y Tapa	3- 8
Adaptore Y Tapa	3- 8
Autonivelacion	3- 4
Autonivelacion	3- 4
Cadena Transportadora Y Chapas Protectoras	3- 2
Cadena Transportadora Y Chapas Protectoras	3- 2
Cilindro Hidraulico	3- 3
Cilindro Hidraulico	3- 3
Eje Transportador - Superior Y Suspension	3- 1
Eje Transportador - Superior Y Suspension	3- 1
Embrague De La Barre De Corte	3- 11
Inversion	3- 9
Inversion	3- 9
Transmision	3- 5

Transmission Auto Level - Barra De Corte	3- 16
Transmission Cosechadora - Tipo Std.	3- 17
Transmission Cosechadora Auto Level	3- 15
Concavo, cilindro lanzapajas	
Ajuste Del Concavo	4- 2
Cilindro De La Trilla	4- 3
Concavo	4- 1
Concavo, Cilindro Y Desgranador	4- 7
Lanzapajas	4- 5
Pantallas De Paja	4- 6
Tapa Del Cilindro Y Recogedor De Piedras	4- 4
Cuerpo de la maquina - apantallada	
Columnas Laterales Y Deflector	15- 4
Placa De Proteccion Derecha Inferior	15- 1
Placa De Proteccion Izquierda Inferi	15- 2
Plaqua Tras. Del Capo	15- 3
Plaqua Tras. Del Capo	15- 5
Deposito de grano - apantallado	
Apantallado-Parte Superior Del Deposito De Grano	9- 4
Apantallado-Parte Superior Del Deposito De Grano	9- 4
Caperuza - Fondo Del Tolva	9- 6
Sinfin De Descarga - Parte Movable	9- 1
Tapadera De La Tolva	9- 7
Transmision - Sinfin De Descarga	9- 3
Tubo Del Sinfin De Descarga	9- 2
Elevadores	
Batidor De Revuelta	7- 5
Elevador Alimentador	7- 1
Elevador Alimentador Y Vuelta Transmision	7- 2
Elevador De Retorno	7- 4
Tubo Alimentador	7- 3
Grupo de propulsion	
Bomba De Propulsion Y Bomba Hidraulica	10- 5
Caja Del Ventilador	10- 7
Capo Del Motor	10- 8
Cedazo De Aspiracion	10- 3
Consola Del Motor	10- 4
Deposito De Combustible	10- 10
Escape & Filtro De Aire	10- 9
Radiador Hidraulico	10- 1
Sist.Enfriamiento Y Pantalla Ventilacion	10- 2
Toma De Fuerza	10- 6
Herramientas Y Sistema Electrico	
Armario Electrico Standard Und Auto Level Machina	16- 2
Cableado Eléctrico	
Haz Ordenador	16- 6
Cableado Eléctrico	
Haz Ordenador	16- 6
Cableado Eléctrico	
Haz Ordenador	16- 6
Cableado Eléctrico	
Haz Cabina	16- 9
Cableado Eléctrico	
Haz Cabina	16- 9
Cableado Eléctrico	
Haz Cabina	16- 9
Cableado Eléctrico	
Haz Cabina	16- 9
Cableado Eléctrico	
Haz Cabina	16- 9
Cableado Eléctrico	
Iluminación	16- 14
Cableado Eléctrico	
Iluminación	16- 14
Cableado Eléctrico	
Haz Motor	16- 16

INDICE ALFABETICO

	PAGE
Cableado Eléctrico	
Haz Motor	16- 16
Cableado Eléctrico	
Haz Máquina	16- 18
Cableado Eléctrico	
Haz Máquina	16- 18
Cableado Eléctrico	
Haz Máquina	16- 18
Cableado Eléctrico	
Haz Máquina	16- 18
Cableado Eléctrico	
Haz Máquina	16- 18
Cableado Eléctrico	
Haz Máquina	16- 18
Cableado Eléctrico	
Haz Máquina	16- 18
Cableado Eléctrico	
Haz Caja De Fusibles	16- 25
Cableado Eléctrico	
Haz Caja De Fusibles	16- 25
Cableado Eléctrico	
Haz Barra De Corte	16- 27
Cableado Eléctrico	
Haz Equipamiento	16- 28
Cableado Eléctrico	
Haz Equipamiento	16- 28
Cableado Eléctrico	
Haz Equipamiento	16- 28
Cableado Eléctrico	
Haz Equipamiento	16- 28
Cableado Eléctrico	
Haz Equipamiento	16- 28
Herramientas - Pintura	16- 1
Partes Electricas	16- 3
Partes Electricas	16- 3
Partes Electricas Para Caja Electrica	16- 5
Sistema Gps Receptor Antena	16- 33
Sistema Landstar Dgps	16- 34
Sistema Rds Dgps	16- 35
Hidraulica	
Sistema Hidraulico - Cambio De Velocidad	14- 9
Barra De Corte Hidr. Subir/Bajar	14- 11
Bomba Y Valvula Principal	14- 10
Cosechadora Auto Level	14- 15
Cosechadora Auto Level- Barra De Corte	14- 6
Esparcidor De Granzas Hidraulico-Rekord	14- 14
Hidraulica De Propulsion	14- 8
Mecanismo De Dirrccion Hidraulico	14- 12
Molinete Hidr. Adelantar/Atrasar	14- 4
Molinete Hidraulico Subir/Bajar	14- 3
Portatubo	14- 16
Revoluciones Del Molinete Hidr.	14- 7
Simbolo Hydraulico	14- 1
Simbolo Hydraulico	14- 1
Sinfin Hidraulico De Descarga	14- 13
Variador Hidraulico Del Cilindro	14- 5
Molinete	
Molinete - Derecho	2- 1
Molinete - Izquierdo	2- 3
Suspension Del Molinete Y Cilindros Hidraulicos	2- 4
Suspension Del Molinete Y Motor Hidraulico	2- 2
Motor	
Alternador	8- 39
Alternador	8- 39
Bomba Alimentadora	8- 25
Centrifugo - Filtro Aceite	8- 24
Ejes De Transmision	
Ventilador Motor	8- 19
Equipo Para Bloque De Cilindros	8- 4

Gestione Motor Electronico	8- 45
Juegos De Juntas	8- 46
Juegos De Juntas	8- 46
Juegos De Juntas	8- 46
Motor	8- 1
Motor	
Bloque De Cilindro	8- 2
Motor	
Bloque De Cilindro	8- 2
Motor	
Carter De La Distribución	8- 5
Motor	
Carter De La Distribución	8- 5
Motor	
Volante	8- 7
Motor	
Ciguenal, Piston & Biela	8- 8
Motor	
Ciguenal, Piston & Biela	8- 8
Motor	
Ciguenal, Piston & Biela	8- 8
Motor	
Arbol De Levas & Balancin	8- 11
Motor	
Arbol De Levas & Balancin	8- 11
Motor	
Culata	8- 13
Motor	
Culata	8- 13
Motor	
Tapa De La Culata	8- 15
Motor	
Carter De Aceite	8- 16
Motor	
Bomba De Aceite	8- 17
Motor	
Refrigerador De Aciete	8- 18
Motor	
Bomba De Agua	8- 20
Motor	
Bomba De Agua	8- 20
Motor	
Bomba De Inyeccion	8- 22
Motor	
Bomba De Inyeccion	8- 22
Motor	
Tuberia De Combustible	8- 26
Motor	
Tuberia De Combustible	8- 26
Motor	
Inyector	8- 28
Motor	
Colector De Admision & De Escape	8- 29
Motor	
Colector De Admision & De Escape	8- 29
Motor	
Colector De Admision & De Escape	8- 29
Motor	
Filtro De Gasolina	8- 32
Motor	
Filtro De Gasolina	8- 32
Motor	
Turbo Compresor	8- 35
Motor	
Turbo Compresor	8- 35
Motor	
Termostato	8- 44
Motor	
Kit De Reparacion	8- 49
Motor	

INDICE ALFABETICO

	PAGE
Kit De Reparacion	8- 49
Motor De Arranque	8- 41
Motor De Arranque	8- 41
Sedimentador	8- 34
Stop Magnetico	8- 43
Tensor De Correa	8- 37
Tensor De Correa	8- 37
Parta baja de la carroceria	
4 Ruedas Motrice	12- 7
Accionamiento Final	12- 13
Arbol Intermediario Y Arbol Primario	12- 10
Diferencial	12- 12
Eje Adelante Y Caja De Cambios - Auto Level	12- 4
Eje Del Cambio Y Pinon	12- 11
Eje Delantero, Caja De Cambios Y Ejes	12- 3
Eje Trasero	12- 5
Eje Trasero	12- 5
Engranaje Lateral - Auto Level	12- 2
Engranaje Lateral-L.D Y H.I.	12- 1
Engrase A Presion Y Freno De Estacionamiento	12- 9
Freno	12- 8
Ruedas Motrices Y Ruedas De Direccion Auto Level Y 4wd	12- 14
Ruedas Motrices Y Ruedas De Direccion Standard	12- 15
Picapajas	
Embrague De Picapajas-Rekord	17- 9
Pantallas De Paja	17- 4
Pantallas De Paja I Mando Eletrico	17- 5
Picapajas Equipo Para Maiz	17- 8
Picapajas-Rekord	17- 1
Picapajas-Rekord	17- 1
Picapajas-Rekord	17- 1
Traccion Intermedia - Picapajas	17- 6
Traccion Intermedia - Picapajas	17- 6
Plataforma de conduccion	
Acondicionador De Aire	13- 10
Acondicionador De Aire	13- 10
Asiento	13- 6
Cristal	13- 7
Estribo	13- 12
Mango Electrico	13- 4
Pedales De Freno Y Cambio De Marcha	13- 3
Revestimiento Trasero Plataforma Y Reves. De Suelo	13- 1
Tabla Delantera, Colum. Lat.Y Datav.	13- 8
Tablero De Instrumentos & Caja De Maniobra	13- 5
Techo De La Cabina Y Aire Acondicionado	13- 9
Techo De La Cabina Y Columnas Laterales	13- 2
Volante Direccion Y Columna	13- 13
Sacudidor de paja	
Bandeja De Retorno	5- 2
Sacudidor De Paja Y Ciquehales	5- 1
Sacudidor Transmission	5- 3
Transmisiones	
Arbol Intermedio	11- 1
Esquema De Montaje De Las Correas	11- 3
Esquema De Montaje De Las Correas	11- 3
Transmision Del Cilindro	11- 2

RECOMMENDED STOCKING PARTS

		Qty	PAGE			Qty	PAGE			Qty	PAGE
Bear. 6306 2rs	390384X1	2	3-14	Bush	D49017100	68	17-1	Connector	D45060093	X	16-3
Bear. 6309 2rs	391069X1	1	11-2			68	17-2	Connector	D45060094	X	16-4
Bearing Carrier	D28251831	19	1-13			108	17-1	Connector	D45060094	X	16-4
		15	1-2			56	17-1			X	16-3
		15	1-7			68	17-3	Container	V836859302	1	8-34
Belt	D28786813	1	10-1			56	17-2			1	8-33
		1	11-4	Cap	D44120500	1	1-6	Distributor	D45110096	1	14-4
Belt	D41900200	1	11-4			1	1-12			1	14-6
Belt	D41904200	1	11-3			1	1-1			1	14-5
		1	10-5	Capscrew	70925806	20	12-13	Element	V836855484	1	8-18
Belt	D41921700	1	11-3	Chain	D42325100	1	11-4	Filter	D45103000	1	10-5
Belt	D41939300	1	10-7			1	7-2	Filter	D45165900	1	14-10
		1	11-4	Chain	D42325700	1	2-2	Filter	D45165900	1	10-5
Belt	D41975300	1	5-3			1	11-4	Filter	D46483800	1	14-10
		1	11-3	Chain	D42326200	1	11-4	Filter	D46483900	1	10-9
Belt	D41977900	1	17-6			1	7-2	Filter	D46483900	1	10-9
		1	11-3			X	7-3	Finger	D28283815	19	1-14
		1	17-7	Chain	D42328100	1	7-2			15	1-8
Belt	D41978400	1	11-3			1	11-4			15	1-3
		1	17-7	Chain	D42328600	1	11-4	Finger	D44104500	43	1-6
Belt	D41978800	1	11-4	Chain	D42328900	1	11-3			39	1-1
		1	9-3	Chain	D42329200	1	11-3			43	1-1
Belt	D41979600	1	11-1			1	1-14			55	1-12
		1	11-3			1	1-8			39	1-6
		1	17-7			1	1-9	Finger	D44104600	1	1-12
Belt	D41979800	1	11-3	Chain	D42329300	1	11-3			1	1-6
		1	3-11			1	1-3			1	1-1
		1	3-13			1	1-4	Finger	D44104700	1	1-1
		1	4-5	Chain	D42332800	1	1-14			1	1-6
Belt	D41980500		11-2			1	1-20			1	1-12
		1	11-4			1	11-3	Friction Disc	D45903800	2	11-1
Belt	D41981100	1	6-3			1	1-8	Friction Disc	D45904300	1	3-11
		1	6-5			1	1-18			2	3-1
		1	11-4	Chain	D42333300	1	11-4			2	1-3
Belt	D41981200	1	11-4	Chain	D42333700	1	1-15			2	1-8
		1	11-2	Chain	D42334600	1	3-11			2	1-14
		1	6-5			1	11-3	Fuel Element	1896287M91	2	8-32
Belt	D41985600	1	1-4			1	3-17			1	10-6
		1	11-3			1	3-15	Fuel Element	3405419M1	2	8-32
		1	1-1			1	3-16	Fuel Pump	V836362023	1	8-25
Belt	D41990007	2	4-7	Chain	D42339300	1	11-3	Fuse	1695939M1	X	16-3
		2	11-2			1	3-19			X	16-5
		1	11-4	Chain	D42351300	1	7-4	Fuse	1695966M1	X	16-3
Belt	D41990027	1	11-4	Clear.Sil.310ml	LC2312031	X	12-13			X	16-5
Belt	D41990045	1	10-6	Clip	D28260362	2	1-6	Fuse	3387318M1	X	16-5
		1	10-5			X	1-1			X	16-3
		1	11-3			2	1-12	Fuse	3387319M1	X	16-3
Belt	D41990049	1	17-7	Clip	D28283934	19	1-6			X	16-5
		1	11-3			24	1-12	Fuse	3387322M1	X	16-5
		1	11-1			19	1-1			X	16-3
Belt	D41990059	1	11-3			21	1-6	Gasket	V615882227	1	8-44
		1	4-5			21	1-1			1	8-47
		1	11-1	Coil	D45110064	2	14-13			1	8-20
Belt	D41990064	1	11-1			2	14-6			1	8-16
		1	11-3			1	14-3			1	8-21
		1	10-6			2	14-10			1	8-46
Bolt	D40551500	X	1-12			2	14-4			2	8-47
		X	1-1			1	14-5	Gasket	V835330014	1	8-32
		X	1-6			3	14-11	Gasket	V835330015	1	8-32
Bulb 12v 1.2w	3405185M1	6	13-5			2	14-15	Gasket	V836012841	4	8-15
Bulb 12v 10w	3002706X1	2	1-30	Connecting Link	D42350700	1	3-12			4	8-46
		2	1-28	Connecting Link	D42350800	4	3-12	Gasket	V836015147	2	8-32
		2	1-29			1	7-1	Gasket	V836362229	1	8-24
Bulb 12v 21w	621235M1	X	13-12	Connecting Link	D42367700	1	3-15	Gasket	V836646360	2	8-15
		4	1-28			1	3-17			2	8-46
		4	1-29			1	3-11	Gasket	V836840992	1	8-35
		1	15-1			1	3-16			1	8-46
		2	13-12	Connector	D45010023	X	16-4			1	8-36
		1	15-2			X	16-3	Half Section	D44103800	2	1-1
		4	1-30	Connector	D45010024	X	16-4			X	1-6
Bulb 12v 60/55w	3713341M1	4	13-12			X	16-3	Half Section	D44104000	2	1-1
Bulb H3	1628494M1	1	16-1	Connector	D45010025	X	16-4			X	1-12
Bush	D28283060	15	1-8			X	16-3			X	1-12
		15	1-3	Connector	D45010026	X	16-4			1	1-6
		19	1-14			X	16-3	Head Gasket	V836666302	2	8-46
				Connector	D45010027	X	16-3			2	8-13
				Connector	D45010028	X	16-3	Heater	V836864398	1	8-30

RECOMMENDED STOCKING PARTS

		Qty	PAGE			Qty	PAGE			Qty	PAGE		
Inductive Sensor	D28780516	1	10-6	Nut	D41054300	2	12-6	Sensor	V837070201	1	8-45		
		1	6-7			2	12-7	Shim	D28230292	4	1-12		
		1	4-3			1	1-6			4	1-1		
		1	7-3			1	1-1			4	1-6		
		X	5-1			1	1-12	Solenoid	V836666759	1	8-30		
		3	6-3	O Ring	3010471X1	1	13-11	Solenoid	V837069047	1	8-31		
		1	17-3	O Ring	70923816	2	12-13	Speed Sensor	V837069150	1	8-45		
		1	12-4			1	12-10	Speed Sensor	V837070189	1	8-45		
		1	4-7			1	12-11	Spring	D28680130	X	2-1		
		1	9-3	O Ring	V614601924	1	8-6			X	2-3		
		1	12-3	O Ring	V836015919	2	8-33	Spring	D28680131	3	2-3		
		1	3-10	O Ring	V836862496	1	8-32			3	2-1		
		Inner Link	D42362400	1	7-3	Oil Filter	D45161300	1	14-8	Thermostat	V836015156	1	8-21
				1	7-2	Oil Filter	D46447400	1	10-6			1	8-44
		Insert	D49080067	108	17-2	Oil Filter	V836336459	1	8-49	Thermostat	V836331590	1	8-21
68	17-2					1	8-18			1	8-44		
56	17-1			Oil Filter	V836362567	1	8-18	Toggle	D28283011	2	1-6		
108	17-1					1	8-50			2	1-12		
68	17-1			Parts Pack	D45110066	1	14-13			2	1-1		
68	17-3					1	14-15	V Belt	D41921500	1	6-14		
56	17-2			Plate	D28550323	1	7-4	V Belt	D41929000	2	11-4		
Kit, Belt	D41933700			1	11-3			30	7-1			2	11-1
				Kit, Belt	D41982000	1	11-4			14	7-4		2
1	11-2					Plate	D28550372	14	7-4	V Belt	D41978100	1	11-3
Kit, Belt	D41982300	1	11-2	Plate	D28580137	14	7-4			1	10-6		
		1	11-4	Plate	D28585026	30	7-1	V Belt	D41981400	1	6-3		
Kit, Joint	V836840993	1	8-46	Potentiometer	D28780523	2	12-2			1	6-5		
		1	8-47			2	1-6			1	11-4		
Kit, Joint	V836840994	1	8-49			2	1-12	V Belt	D41986300	1	1-12		
		1	8-47			1	13-1			1	1-15		
		1	7-4			1	3-15			1	1-9		
Kit, Link	D42351200	1	8-24			1	3-16			1	11-3		
		Kit, Rotor Assy.	V836362228	1	11-3	Pre Filter	V836859713	1	8-33		1	1-6	
1	6-6					1	8-34	V Belt	D41990001	1	11-3		
Knife	D49005700	1	6-7	Pressure Switch	V837070209	1	8-45			2	6-6		
		56	17-1	Pressure Valve	D45110055	1	14-13			2	4-5		
		56	17-2			3	14-9	V Belt	D41990019	1	10-3		
		68	17-3	Pressure Valve	D45110060	1	14-7			1	11-4		
		68	17-1	Pressure Valve	D45120002	1	14-10	V Belt	V685121585	1	8-37		
		68	17-2	Relay	D45070089	X	16-3			1	8-38		
		Knife	D49074600	56	17-1			X	16-5	Washer	705541	16	12-12
68	17-2			Rivet	D41306100	X	1-12	Washer	705665	20	12-13		
56	17-2					X	1-1	Washer	V836015918	2	8-32		
108	17-1					X	1-6	Washer	V836652170	6	8-27		
68	17-1			Rivet	D41306200	X	1-1			6	8-26		
108	17-2					X	1-12	Washer	V899901495	6	8-27		
Knife	D49080066			68	17-2			X	1-6			6	8-46
				68	17-3	Rubber Piece	D28585021	30	7-1			6	8-26
				56	17-2	Screw	D40438600	54	17-2	Water Pump	V836859202	1	8-20
Link	D42350400			1	7-4			34	17-2				
		Link	D42350600	1	3-12			28	17-2				
Link	D42350900			1	7-1			34	17-1				
		8	3-12			28	17-1						
Link	D42351400	1	7-4			54	17-1						
		Link	D42354900	1	3-12			34	17-3				
Link	D42363500			1	1-18	Seal	V614500002	1	8-7				
		1	1-20	Seal	V835336276	6	8-26						
Link	D42365100	1	1-4			6	8-46						
		1	1-3			6	8-27						
Link	D42365500	1	1-9	Section	D44103700	X	1-6						
		1	1-8			X	1-12						
		1	1-14			X	1-1						
Link	D42367800	1	3-17	Sensor	D28780514	1	9-3						
		1	3-16			1	7-3						
		1	3-15			1	12-4						
		1	3-11			3	6-3						
		2	11-2			1	6-7						
Magnet	D45010092	1	4-4			1	3-10						
		1	17-3			1	5-1						
		1	9-1			X	17-3						
		1	15-3			1	4-3						
		4	14-11			1	12-3						
Mandrel	D45110065	1	14-5			1	4-7						
		1	14-3			1	10-6						
Nut	D41021800	X	12-6	Sensor	V836666980	1	8-45						
				Sensor	V836667732	2	8-45						
				Sensor	V837069410	1	8-45						

PIECES DONT LE STOCKAGE EST RECOMMANDE

		Qty	PAGE			Qty	PAGE			Qty	PAGE
Aimant	D45010092	1	9-1	Capteur Vitesse	V837070189	1	8-45	Courroie	D41990027	1	11-4
		1	4-4	Chaîne	D42325100	1	11-4	Courroie	D41990045	1	10-6
		1	17-3			1	7-2			1	10-5
		1	15-3	Chaîne	D42325700	1	2-2			1	11-3
		2	11-2			1	11-4	Courroie	D41990049	1	11-3
Amp H4 60/55 w	3713341M1	4	13-12	Chaîne	D42326200	X	7-3			1	11-1
Ampoule 12v 1.2w	3405185M1	6	13-5			1	11-4			1	17-7
Ampoule 12v 10w	3002706X1	2	1-29			1	7-2	Courroie	D41990059	1	11-3
		2	1-28	Chaîne	D42328100	1	11-4			1	4-5
		2	1-30			1	7-2			1	11-1
Ampoule 12v 21w	621235M1	2	13-12	Chaîne	D42328600	1	11-4	Courroie	D41990064	1	11-3
		4	1-30	Chaîne	D42328900	1	11-3			1	10-6
		X	13-12	Chaîne	D42329200	1	1-8			1	11-1
		4	1-29			1	11-3	Courroie Trapez	D41921500	1	6-14
		1	15-2			1	1-14	Courroie Trapez	D41929000	2	11-1
		1	15-1			1	1-9			2	7-2
		4	1-28	Chaîne	D42329300	1	11-3			2	11-4
Ampoule H3	1628494M1	1	16-1			1	1-3	Courroie Trapez	D41978100	1	10-6
Bague	D28283060	15	1-8			1	1-4			1	11-3
		15	1-3	Chaîne	D42332800	1	11-3	Courroie Trapez	D41981400	1	11-4
		19	1-14			1	1-14			1	6-5
Bague	D49017100	68	17-1			1	1-8			1	6-3
		56	17-1			1	1-20	Courroie Trapez	D41986300	1	1-9
		68	17-2			1	1-18			1	11-3
		56	17-2	Chaîne	D42333300	1	11-4			1	1-12
		68	17-3	Chaîne	D42333700	1	1-15			1	1-6
		108	17-1	Chaîne	D42334600	1	3-17			1	1-15
Barre Connexion	D42350700	1	3-12			1	11-3	Courroie Trapez	D41990001	1	11-3
Barre Connexion	D42350800	4	3-12			1	3-11			2	6-6
		1	7-1			1	3-5			2	4-5
Barre Connexion	D42367700	1	3-11			1	3-16	Courroie Trapez	D41990019	1	11-4
		1	3-17	Chaîne	D42339300	1	3-19			1	10-3
		1	3-16			1	11-3	Courroie Trapez	V685121585	1	8-37
		1	3-15	Chaîne	D42351300	1	7-4			1	8-38
Barre Interne	D42362400	1	7-2	Chapeau	D44120500	1	1-6	Couteau	D49005700	56	17-1
		1	7-3			1	1-1			68	17-1
Bobine	D45110064	1	14-5			1	1-12			68	17-3
		3	14-11	Chauffage	V836864398	1	8-30			56	17-2
		2	14-10	Clear.Sil.310ml	LC2312031	X	12-13			68	17-2
		2	14-4	Courroie	D28786813	1	10-1	Couteau	D49074600	68	17-1
		2	14-6			1	11-4			108	17-2
		2	14-15	Courroie	D41900200	1	11-4			68	17-2
		1	14-3	Courroie	D41904200	1	10-5			56	17-1
		2	14-13			1	11-3			56	17-2
Borne.	D45010023	X	16-3	Courroie	D41921700	1	11-3			108	17-1
		X	16-4	Courroie	D41939300	1	11-4	Couteau	D49080066	68	17-2
Borne.	D45010024	X	16-4			1	10-7			56	17-2
		X	16-3	Courroie	D41975300	1	11-3			68	17-3
Borne.	D45010025	X	16-4			1	5-3	Cuve	V836859302	1	8-33
		X	16-3	Courroie	D41977900	1	17-6			1	8-34
Borne.	D45010026	X	16-4			1	11-3	Demi Section	D44103800	X	1-6
		X	16-3			1	17-7			X	1-12
Borne.	D45010027	X	16-3	Courroie	D41978400	1	11-3			2	1-1
Borne.	D45010028	X	16-3			1	17-7	Demi Section	D44104000	X	1-12
Borne.	D45060093	X	16-4	Courroie	D41978800	1	9-3			1	1-6
		X	16-3			1	11-4			2	1-1
Borne.	D45060094	X	16-3	Courroie	D41979600	1	11-3	Detecteur	D28780514	3	6-3
		X	16-4			1	17-7			1	4-3
Boulon	D40551500	X	1-1			1	11-1			1	6-7
		X	1-6	Courroie	D41979800	1	11-3			1	5-1
		X	1-12			1	3-13			1	7-3
Cale Reglage	D28230292	4	1-1			1	4-5			1	12-3
		4	1-12			1	3-11			X	17-3
		4	1-6	Courroie	D41980500	1	11-2			1	4-7
Capteur Inductif	D28780516	3	6-3			1	11-4			1	12-4
		1	9-3	Courroie	D41981100	1	6-3			1	10-6
		1	3-10			1	6-5			1	9-3
		1	17-3			1	11-4			1	3-10
		1	4-3	Courroie	D41981200	1	6-5	Detecteur	V836666980	1	8-45
		1	12-4			1	11-2	Detecteur	V836667732	2	8-45
		1	6-7			1	11-4	Detecteur	V837069410	1	8-45
		1	12-3	Courroie	D41985600	1	1-4	Detecteur	V837070201	1	8-45
		1	10-6			1	1-1	Disque Friction	D45903800	2	11-1
		X	5-1			1	11-3				
		1	7-3	Courroie	D41990007	2	11-2				
		1	4-7			2	4-7				
Capteur Vitesse	V837069150	1	8-45			1	11-4				

PIECES DONT LE STOCKAGE EST RECOMMANDE

		Qty	PAGE			Qty	PAGE			Qty	PAGE
Disque Friction	D45904300	2	3-1	Joint	V615882227	1	8-46	Potentiometre	D28780523	2	12-2
		1	3-11			1	8-47			1	13-1
		2	1-3			1	8-21			2	1-12
		2	1-8			1	8-16			1	3-15
		2	1-14			1	8-44			2	1-6
Distributeur	D45110096	1	14-6			1	8-20			1	3-16
		1	14-4			2	8-47	Pre Filtre	V836859713	1	8-34
Doigt	D28283815	1	14-5	Joint	V835330014	1	8-32			1	8-33
		15	1-8	Joint	V835330015	1	8-32	Relais	D45070089	X	16-5
		19	1-14	Joint	V836012841	4	8-46			X	16-3
		15	1-3			4	8-15	Ressort	D28680130	X	2-1
Doigt	D44104500	39	1-1	Joint	V836015147	2	8-32			X	2-3
		43	1-6	Joint	V836362229	1	8-24	Ressort	D28680131	3	2-1
		43	1-1	Joint	V836646360	2	8-15			3	2-3
		39	1-6			2	8-46	Rivet	D41306100	X	1-6
		55	1-12	Joint	V836840992	1	8-35			X	1-12
Doigt	D44104600	1	1-12			1	8-46			X	1-1
		1	1-1			1	8-36	Rivet	D41306200	X	1-6
		1	1-6	Joint Culasse	V836666302	2	8-46			X	1-1
Doigt	D44104700	1	1-6			2	8-13			X	1-12
		1	1-12	Joint Etancheite	V614500002	1	8-7	Rlt 6306 2rs	390384X1	2	3-14
Douille	D49080067	1	1-1	Joint Etancheite	V835336276	6	8-46	Rlt 6309 2rs	391069X1	1	11-2
		68	17-3			6	8-26	Rondelle	705541	16	12-12
		68	17-1			6	8-27	Rondelle	705665	20	12-13
		56	17-1	Joint Torique	3010471X1	1	13-11	Rondelle	V836015918	2	8-32
		108	17-2	Joint Torique	70923816	1	12-10	Rondelle	V836652170	6	8-26
		56	17-2			2	12-13			6	8-27
		108	17-1			1	12-11	Rondelle	V899901495	6	8-27
		68	17-2	Joint Torique	V614601924	1	8-6			6	8-46
		X	12-6	Joint Torique	V836015919	2	8-32			6	8-26
		X	1-12	Joint Torique	V836862496	1	8-33	Rotule	D28283011	2	1-6
Ecrou	D41021800	1	1-1	Maillon	D42350400	1	7-4			2	1-1
		2	12-7	Maillon	D42350600	1	3-12			2	1-12
Ecrou	D41054300	2	12-6	Maillon	D42350900	8	3-12	Section	D44103700	X	1-1
		1	1-6			1	7-1			X	1-6
		1	8-18	Maillon	D42351400	1	7-4			X	1-12
		2	8-32	Maillon	D42354900	1	3-12	Solenoid	V83666759	1	8-30
		1	10-6	Maillon	D42363500	1	1-18	Solenoid	V837069047	1	8-31
Elementcarburant	1896287M91	1	10-6	Maillon	D42363500	1	1-20	Thermostat	V836015156	1	8-44
		2	8-32			1	1-3			1	8-21
Elementcarburant	3405419M1	2	8-32	Maillon	D42365100	1	1-4	Thermostat	V836331590	1	8-21
		1	14-10			1	1-14			1	8-44
Filtre	D45103000	1	10-5			1	1-4	Valve	D45110055	3	14-9
		1	14-10	Maillon	D42365500	1	1-14			1	14-13
Filtre	D45165900	1	10-5			1	1-9	Valve	D45110060	1	14-7
		1	10-9	Maillon	D42367800	1	3-15	Valve	D45120002	1	14-10
Filtre	D46483800	1	10-9			1	1-8	Vis	D40438600	28	17-1
		1	10-9			1	1-8			34	17-2
Filtre	D46483900	1	10-9	Maillon	D42367800	1	3-15			34	17-1
		1	10-9			1	14-5			28	17-2
Filtre Huile	D45161300	1	14-8			1	3-16			34	17-3
		1	10-6			1	3-17			54	17-1
Filtre Huile	D46447400	1	10-6			1	3-11			54	17-2
		1	8-49			1	14-11			28	17-2
Filtre Huile	V836336459	1	8-18			1	14-3			34	17-3
		1	8-18			1	14-3			54	17-1
Filtre Huile	V836362567	1	8-50			1	8-45			54	17-2
		1	8-18			15	1-7	Vis Bouchon	70925806	20	12-13
Fusible	1695939M1	X	16-3	Mano Contact	V837070209	1	8-45				
		X	16-5	Palier	D28251831	15	1-7				
Fusible	1695966M1	X	16-3			19	1-13				
		X	16-5			15	1-2				
Fusible	3387318M1	X	16-5	Patte D'Attache	D28260362	2	1-6				
		X	16-3			X	1-1				
Fusible	3387319M1	X	16-5			2	1-12				
		X	16-3	Patte D'Attache	D28283934	24	1-12				
Fusible	3387322M1	X	16-5			21	1-1				
		X	16-3			21	1-6				
Jeu Courroies	D41933700	1	11-3			19	1-1				
		1	11-2			19	1-1				
Jeu Courroies	D41982000	1	11-2			19	1-6				
		1	11-4	Piece En Caoutch	D28585021	30	7-1				
Jeu Courroies	D41982300	1	11-2	Plaque	D28550323	1	7-4				
		1	11-4			14	7-4				
Jeu Courroies Tr	D41933900	1	6-7			30	7-1				
		1	6-6	Plaque	D28550372	14	7-4				
Jeu Joints	V836840993	1	11-3	Plaque	D28580137	14	7-4				
		1	8-46	Plaque	D28585026	30	7-1				
Jeu Joints	V836840994	1	8-47	Pompe A Eau	V836859202	1	8-20				
		1	8-49	Pompe Carburant	V836362023	1	8-25				
Jeu Maillons	D42351200	1	7-4								
		1	14-13								
Jeu Pieces	D45110066	1	14-15								
		1	8-24								
Jeu Rotor	V836362228	1	8-24								

LAGERVORSCHLAGSTEILE

				Qty	PAGE					Qty	PAGE					Qty	PAGE
Abschlussblech	D44103800	X	1-6	Finger	D44104600	1	1-1	Keilriemen	D41921500	1	6-14						
		X	1-12			1	1-12	Keilriemen	D41929000	2	11-1						
		2	1-1			1	1-6			2	11-4						
Abschlussblech	D44104000	1	1-6	Finger	D44104700	1	1-1			2	7-2						
		X	1-12			1	1-6	Keilriemen	D41978100	1	11-3						
		2	1-1			1	1-12			1	10-6						
Abschnitt	D44103700	X	1-6	Flachdichtung	V615882227	1	8-46	Keilriemen	D41981400	1	6-3						
		X	1-1			1	8-16			1	11-4						
		X	1-12			1	8-21			1	6-5						
Ausgleichscheibe	D28230292	4	1-6			2	8-47	Keilriemen	D41986300	1	1-12						
		4	1-12			1	8-44			1	1-6						
		4	1-1			1	8-20			1	1-15						
Behaelter	V836859302	1	8-34			1	8-47			1	11-3						
		1	8-33	Flachdichtung	V835330014	1	8-32			1	1-9						
Bolzen	D40551500	X	1-1	Flachdichtung	V835330015	1	8-32	Keilriemen	D41990001	1	11-3						
		X	1-12	Flachdichtung	V836012841	4	8-15			2	4-5						
		X	1-6			4	8-46			2	6-6						
Clear.Sil.310ml	LC2312031	X	12-13	Flachdichtung	V836015147	2	8-32	Keilriemen	D41990019	1	10-3						
Dichtring	V614500002	1	8-7	Flachdichtung	V836362229	1	8-24			1	11-4						
Dichtring	V835336276	6	8-27	Flachdichtung	V836646360	2	8-15	Keilriemen	V685121585	1	8-37						
		6	8-46			2	8-46			1	8-38						
		6	8-26	Flachdichtung	V836840992	1	8-46	Keilriemensatz	D41933900	1	11-3						
Dichtungssatz	V836840993	1	8-47			1	8-35			1	6-7						
		1	8-46			1	8-36			1	6-6						
Dichtungssatz	V836840994	1	8-49	Gelenkzapfen	D28283011	2	1-6	Kette	D42325100	1	11-4						
		1	8-47			2	1-12			1	7-2						
Doppelnippel	D45010023	X	16-4			2	1-1	Kette	D42325700	1	11-4						
		X	16-3	Geschw.Sensor	V837069150	1	8-45			1	2-2						
Doppelnippel	D45010024	X	16-4	Geschw.Sensor	V837070189	1	8-45	Kette	D42326200	1	11-4						
		X	16-3	Glied	D42350400	1	7-4			X	7-3						
Doppelnippel	D45010025	X	16-3	Glied	D42350600	1	3-12			1	7-2						
		X	16-4	Glied	D42350900	8	3-12	Kette	D42328100	1	11-4						
Doppelnippel	D45010026	X	16-3			1	7-1			1	7-2						
		X	16-4	Glied	D42351400	1	7-4	Kette	D42328600	1	11-4						
Doppelnippel	D45010027	X	16-3	Glied	D42354900	1	3-12	Kette	D42328900	1	11-3						
Doppelnippel	D45010028	X	16-3	Glied	D42363500	1	1-20	Kette	D42329200	1	1-9						
Doppelnippel	D45060093	X	16-4			1	1-18			1	11-3						
		X	16-3	Glied	D42365100	1	1-3			1	1-14						
Doppelnippel	D45060094	X	16-4			1	1-4			1	1-8						
		X	16-3	Glied	D42365500	1	1-9	Kette	D42329300	1	1-3						
Dorn	D45110065	4	14-11			1	1-14			1	11-3						
		1	14-5			1	1-8			1	1-4						
		1	14-3	Glied	D42367800	1	3-16	Kette	D42332800	1	11-3						
Druckschalter	V837070209	1	8-45			1	3-15			1	1-18						
Druckventil	D45110055	1	14-13			1	3-11			1	1-14						
		3	14-9			1	3-17			1	1-20						
Druckventil	D45110060	1	14-7	Gluehl 12v 1.2w	3405185M1	6	13-5			1	1-8						
Druckventil	D45120002	1	14-10	Gluehl 12v 10w	3002706X1	2	1-29	Kette	D42333300	1	11-4						
Einsatzstueck	D49080067	56	17-1			2	1-28	Kette	D42333700	1	1-15						
		56	17-2			2	1-30	Kette	D42334600	1	3-17						
		68	17-3	Gluehl 12v21w	621235M1	4	1-29			1	11-3						
		68	17-2			X	13-12			1	3-11						
		68	17-1			1	15-1			1	3-16						
		108	17-1			1	15-2			1	3-15						
		108	17-2			4	1-30	Kette	D42339300	1	11-3						
Element	V836855484	1	8-18			2	13-12			1	3-19						
Feder	D28680130	X	2-1			4	1-28	Kette	D42351300	1	7-4						
		X	2-3	Gluehl 12v60/55w	3713341M1	4	13-12	Kettengliedsatz	D42351200	1	7-4						
Feder	D28680131	3	2-3	Gluehlampe H3	1628494M1	1	16-1	Kraftstoffpumpe	V836362023	1	8-25						
		3	2-1	Gummistueck	D28585021	30	7-1	Lager 6306 2rs	390384X1	2	3-14						
Filter	D45103000	1	14-10	Heizung	V836864398	1	8-30	Lager 6309 2rs	391069X1	1	11-2						
		1	10-5	Hutschraube	70925806	20	12-13	Lager Gehaeuse	D28251831	15	1-2						
Filter	D45165900	1	10-5	Indukt Empfänger	D28780516	1	17-3			19	1-13						
		1	14-10			1	12-4			15	1-7						
Filter	D46483800	1	10-9			1	3-10	Magnet	D45010092	1	17-3						
Filter	D46483900	1	10-9			X	5-1			1	9-1						
Filtereinsatz.	1896287M91	2	8-32			1	6-7			2	11-2						
		1	10-6			1	12-3			1	15-3						
Filtereinsatz.	3405419M1	2	8-32			1	9-3			1	4-4						
Finger	D28283815	15	1-8			3	6-3	Magnetspule	V836666759	1	8-30						
		19	1-14			1	4-3	Magnetspule	V837069047	1	8-31						
		15	1-3			1	4-7	Messer	D49005700	68	17-2						
Finger	D44104500	39	1-6			1	7-3			56	17-2						
		39	1-1			1	10-6			68	17-1						
		55	1-12	Kappe	D44120500	1	1-12			68	17-3						
		43	1-6			1	1-1			56	17-1						
		43	1-1			1	1-6										

RECAMBIO QUE SE RECOMIENDA MANTENER EN STOCK

		Qty	PAGE			Qty	PAGE			Qty	PAGE
Ensor Gir.	V837069150	1	8-45	Captador Inducti	D28780516	1	12-3	Correa	D41981100	1	6-5
Ensor Gir.	V837070189	1	8-45			1	4-3			1	6-3
Arandela	705541	16	12-12			1	6-7			1	11-4
Arandela	705665	20	12-13			X	5-1	Correa	D41981200	1	11-2
Arandela	V836015918	2	8-32			3	6-3			1	6-5
Arandela	V836652170	6	8-27			1	9-3			1	11-4
		6	8-26			1	17-3	Correa	D41985600	1	11-3
Arandela	V899901495	6	8-26			1	3-10			1	1-4
		6	8-46			1	12-4			1	1-1
		6	8-27			1	7-3	Correa	D41990007	1	11-4
Bobina	D45110064	1	14-5			1	4-7			2	11-2
		2	14-6			1	10-6			2	4-7
		2	14-13	Casquillo	D28283060	15	1-3	Correa	D41990027	1	11-4
		1	14-3			19	1-14	Correa	D41990045	1	10-5
		2	14-4			15	1-8			1	10-6
		2	14-10	Casquillo	D49017100	68	17-2			1	11-3
		2	14-15			56	17-1	Correa	D41990049	1	11-3
		3	14-11			108	17-1			1	17-7
Bomb 12v 21w	621235M1	4	1-30			68	17-3			1	11-1
		2	13-12			68	17-1	Correa	D41990059	1	11-3
		X	13-12			56	17-2			1	4-5
		1	15-2	Clear.Sil.310ml	LC2312031	X	12-13			1	11-1
		4	1-28	Clip	D28260362	X	1-1	Correa	D41990064	1	10-6
		1	15-1			2	1-12			1	11-1
		4	1-29			2	1-6			1	11-3
Bomba De Agua	V836859202	1	8-20	Clip	D28283934	21	1-6	Correa En V	D41921500	1	6-14
Bomba Gas-Oil	V836362023	1	8-25			21	1-1	Correa En V	D41929000	2	11-1
Bombilla 12v 10w	3002706X1	2	1-28			19	1-1			2	11-4
		2	1-30			24	1-12			2	7-2
		2	1-29			19	1-6	Correa En V	D41978100	1	10-6
Bombilla 12v1,2w	3405185M1	6	13-5	Cojinete Apoyo	D28251831	19	1-13			1	11-3
Bombilla H3	1628494M1	1	16-1			15	1-2	Correa En V	D41981400	1	6-3
Bombilla12v60/55	3713341M1	4	13-12			15	1-7			1	6-5
Bulon	D40551500	X	1-1	Conector	D45010023	X	16-3	Correa En V	D41986300	1	11-4
		X	1-6			X	16-4			1	1-6
		X	1-12	Conector	D45010024	X	16-3			1	1-12
Cadena	D42325100	1	11-4			X	16-4			1	1-9
		1	7-2	Conector	D45010025	X	16-3			1	1-15
Cadena	D42325700	1	11-4			X	16-4			1	11-3
		1	2-2	Conector	D45010026	X	16-4	Correa En V	D41990001	2	6-6
Cadena	D42326200	1	11-4			X	16-3			2	4-5
		1	7-2	Conector	D45010027	X	16-3			1	11-3
		X	7-3	Conector	D45010028	X	16-3	Correa En V	D41990019	1	10-3
Cadena	D42328100	1	7-2	Conector	D45060093	X	16-3			1	11-4
		1	11-4			X	16-4	Correa En V	V685121585	1	8-37
Cadena	D42328600	1	11-4	Conector	D45060094	X	16-4			1	8-38
Cadena	D42328900	1	11-3			X	16-3	Correas Juego	D41933700	1	11-3
Cadena	D42329200	1	1-9	Contenedor	V836859302	1	8-34	Correas Juego	D41982000	1	11-4
		1	1-8			1	8-33			1	11-2
		1	1-14	Correa	D28786813	1	10-1	Correas Juego	D41982300	1	11-2
		1	11-3			1	11-4			1	11-4
Cadena	D42329300	1	1-3	Correa	D41900200	1	11-4	Cuchilla	D49005700	56	17-1
		1	1-4	Correa	D41904200	1	11-3			68	17-3
		1	11-3			1	10-5			68	17-1
Cadena	D42332800	1	1-14	Correa	D41921700	1	11-3			68	17-2
		1	1-20	Correa	D41939300	1	10-7			56	17-2
		1	1-8			1	11-4	Cuchilla	D49074600	68	17-1
		1	1-18	Correa	D41975300	1	11-3			108	17-1
		1	11-3			1	5-3			56	17-1
Cadena	D42333300	1	11-4	Correa	D41977900	1	17-7			68	17-2
Cadena	D42333700	1	1-15			1	17-6			108	17-2
Cadena	D42334600	1	3-15			1	11-3			56	17-2
		1	11-3	Correa	D41978400	1	11-3	Cuchilla	D49080066	56	17-2
		1	3-17			1	17-7			68	17-2
		1	3-11	Correa	D41978800	1	9-3			68	17-3
		1	3-16			1	11-4	Dedo	D28283815	19	1-14
Cadena	D42339300	1	3-19	Correa	D41979600	1	11-3			15	1-8
		1	11-3			1	17-7			15	1-3
Cadena	D42351300	1	7-4			1	11-1	Dedo	D44104500	39	1-6
Calce	D28230292	4	1-12	Correa	D41979800	1	3-13			55	1-12
		4	1-6			1	4-5			43	1-6
		4	1-1			1	11-3			39	1-1
Calentador	V836864398	1	8-30			1	3-11			43	1-1
				Correa	D41980500	1	11-4	Dedo	D44104600	1	1-1
							11-2			1	1-12
										1	1-6

RECAMBIO QUE SE RECOMIENDA MANTENER EN STOCK

		Qty	PAGE			Qty	PAGE			Qty	PAGE
Dedo	D44104700	1	1-6	Insercion	D49080067	108	17-2	Pre Filtro	V836859713	1	8-33
		1	1-1			108	17-1			1	8-34
		1	1-12			56	17-2	Regulador Elect.	D28780523	1	3-15
Detector	D28780514	1	9-3			56	17-1			2	1-12
		1	5-1			68	17-3			2	12-2
		1	10-6			68	17-2			1	3-16
		1	4-7			68	17-1			1	13-1
		1	3-10	Interrup Presion	V837070209	1	8-45			2	1-6
		1	12-4	Jgo.Cjto.Rotor	V836362228	1	8-24	Rele	D45070089	X	16-3
		3	6-3	Juego De Correas	D41933900	1	6-7			X	16-5
		1	6-7			1	6-6	Remache	D41306100	X	1-6
		X	17-3			1	11-3			X	1-1
		1	12-3	Juego Enganche	D42351200	1	7-4			X	1-12
		1	7-3	Juego Juntas	V836840993	1	8-46	Remache	D41306200	X	1-6
		1	4-3			1	8-47			X	1-12
Detector	V836666980	1	8-45	Juego Juntas	V836840994	1	8-47			X	1-1
Detector	V836667732	2	8-45			1	8-49	Roda. 6306 2rs	390384X1	2	3-14
Detector	V837069410	1	8-45	Junta De Culata	V836666302	2	8-13	Roda. 6309 2rs	391069X1	1	11-2
Detector	V837070201	1	8-45			2	8-46	Rotula	D28283011	2	1-12
Disco Friccion	D45903800	2	11-1	Junta Plana	V615882227	1	8-16			2	1-1
Disco Friccion	D45904300	2	1-3			1	8-44			2	1-6
		2	1-14			1	8-47	Seccion	D44103700	X	1-1
		1	3-11			1	8-21			X	1-12
		2	3-1			1	8-46			X	1-6
		2	1-8			2	8-47	Solenoide	V836666759	1	8-30
Distribuidor	D45110096	1	14-6			1	8-20	Solenoide	V837069047	1	8-31
		1	14-5	Junta Plana	V835330014	1	8-32	Tapa	D44120500	1	1-1
		1	14-4	Junta Plana	V835330015	1	8-32			1	1-12
Elemento	V836855484	1	8-18	Junta Plana	V836012841	4	8-15			1	1-6
Elemento Gasoleo	1896287M91	2	8-32			4	8-46	Termostato	V836015156	1	8-44
		1	10-6	Junta Plana	V836015147	2	8-32			1	8-21
Elemento Gasoleo	3405419M1	2	8-32	Junta Plana	V836362229	1	8-24	Termostato	V836331590	1	8-44
Eslabon	D42350400	1	7-4	Junta Plana	V836646360	2	8-46			1	8-21
Eslabon	D42350600	1	3-12			2	8-15	Tornillo	D40438600	34	17-1
Eslabon	D42350900	1	7-1	Junta Plana	V836840992	1	8-36			34	17-3
		8	3-12			1	8-35			28	17-2
Eslabon	D42351400	1	7-4			1	8-46			34	17-2
Eslabon	D42354900	1	3-12	Junta Redonda	V614500002	1	8-7			54	17-2
Eslabon	D42363500	1	1-18	Junta Redonda	V835336276	6	8-46			54	17-1
		1	1-20			6	8-26			28	17-1
Eslabon	D42365100	1	1-4			6	8-27	Tornillo Tapon	70925806	20	12-13
		1	1-3	Junta Toroidal	3010471X1	1	13-11	Tuerca	D41021800	X	12-6
Eslabon	D42365500	1	1-9	Junta Toroidal	70923816	1	12-11	Tuerca	D41054300	1	1-6
		1	1-14			1	12-10			1	1-12
		1	1-8			2	12-13			2	12-7
Eslabon	D42367800	1	3-15	Junta Toroidal	V614601924	1	8-6			1	1-1
		1	3-17	Junta Toroidal	V836015919	2	8-32			2	12-6
		1	3-16	Junta Toroidal	V836862496	1	8-33	Union Interior	D42362400	1	7-2
		1	3-11	Malla Union	D42350700	1	3-12			1	7-3
Filtro	D45103000	1	10-5	Malla Union	D42350800	4	3-12	Valvula Presion	D45110055	1	14-13
		1	14-10			1	7-1			3	14-9
Filtro	D45165900	1	14-10	Malla Union	D42367700	1	3-16	Valvula Presion	D45110060	1	14-7
		1	10-5			1	3-15	Valvula Presion	D45120002	1	14-10
Filtro	D46483800	1	10-9			1	3-11				
Filtro	D46483900	1	10-9			1	3-17				
Filtro De Aceite	D45161300	1	14-8	Mandrel	D45110065	1	14-3				
Filtro De Aceite	D46447400	1	10-6			4	14-11				
Filtro De Aceite	V836336459	1	8-49			1	14-5				
Filtro De Aceite	V836362567	1	8-18	Media Seccion	D44103800	X	1-12				
		1	8-18			X	1-6				
		1	8-50			2	1-1				
Fusible	1695939M1	X	16-3	Media Seccion	D44104000	1	1-6				
		X	16-5			2	1-1				
Fusible	1695966M1	X	16-3			X	1-12				
		X	16-5	Muelle	D28680130	X	2-1				
Fusible	3387318M1	X	16-3			X	2-3				
		X	16-5	Muelle	D28680131	3	2-1				
Fusible	3387319M1	X	16-3			3	2-3				
		X	16-5	Paquete Piezas	D45110066	1	14-15				
Fusible	3387322M1	X	16-5			1	14-13				
		X	16-3	Pieza De Caucho	D28585021	30	7-1				
Iman	D45010092	1	9-1	Plato	D28550323	30	7-1				
		1	15-3			14	7-4				
		1	4-4			1	7-4				
		2	11-2	Plato	D28550372	14	7-4				
		1	17-3	Plato	D28580137	14	7-4				
				Plato	D28585026	30	7-1				

NUMERICAL INDEX
INDEX NUMERIQUE
NUMMERN-INDEX
INDICE NUMERICO

054409P1	3-6	1440477X1	3-14	1441462X1	1-1	1442190X1	1-1
	3-7		3-15		1-3		1-6
054410P1	3-6		3-16		1-4		1-12
	3-7		3-17		1-5		1-13
060289P1	3-6		7-5		1-6		1-25
	3-7		10-6		1-8		1-30
060305P1	3-6		12-6		1-9		1-31
	3-7	1440479X1	1-18		1-12		3-10
1426488M1	10-10		1-19		1-14		3-14
1440329X1	1-2		1-20		1-27		4-2
	1-3		1-21		1-30		4-3
	1-4		7-5		1-31		4-4
	1-8		10-6		2-1		4-7
	1-9	1440480X1	9-1		2-3		6-8
	1-14		17-7		3-10		6-9
	1-15	1440487X1	2-2		3-12		6-10
	1-24		3-10		3-13		6-11
	1-25		4-3		3-15		6-13
	1-28		4-7		3-16		6-14
	1-29		5-1		3-17		7-4
	1-31		6-3		4-2	1442456X1	1-4
	2-1		6-7		4-3		1-9
	2-3		7-3		4-4		1-15
	3-4		9-3		4-5		1-24
	3-12		10-6		4-6		1-25
	3-14		17-3		6-1	1442739X1	1-1
	4-1	1440494X1	7-5		6-4		1-4
	4-2	1440516X1	3-10		6-8		1-5
	4-3		5-1		6-12		1-9
	4-4		6-7		6-13		1-15
	4-5	1440572X1	3-10		7-1		1-18
	4-7	1440716X1	1-1		7-3		1-20
	5-2		1-6		7-4		3-10
	6-1		1-12		7-5		3-13
	6-3		2-4		9-3		3-15
	6-5		3-15		10-2		3-16
	6-7		3-16		11-2		3-17
	6-9		3-17		12-5		3-19
	6-11		6-8		13-1		4-5
	6-12		6-9		13-2		4-7
	7-3		6-10		13-3		5-3
	7-4		6-12		13-6		6-6
	9-3		13-12		13-7		7-2
	9-6		17-1		13-9		9-3
	10-5		17-3		13-12		10-5
	11-1	1440860X1	10-2		17-3		10-6
	11-2	1440911X1	10-3	1441579X1	1-4		11-1
	12-7	1440968X1	11-2		1-9		11-2
	13-1	1440988X1	1-4		1-15		17-3
	13-3		1-5		6-7		17-6
	13-12		1-30	1441584X1	11-2		17-7
	13-13		3-14		17-2	1444168X1	13-5
	17-1	1441267X1	7-1	1441585X1	6-8	15853X	12-10
	17-3		7-4	1441602X1	13-1	1628494M1	16-1
	17-5	1441370X1	13-12	1441645X1	1-2	1695939M1	16-3
	17-7		16-1	1441671X1	1-1		16-5
1440349X1	4-5	1441410X1	9-3		1-6	1695966M1	16-3
1440375X1	2-2				1-12		16-5
	7-2			1441858X1	1-3	1896287M91	8-32
1440394X1	10-1				1-8		10-6
	12-6				1-14	3000025X1	4-4
	12-7				2-4	3000197X1	1-3
1440398X1	13-5				3-15		12-6
1440475X1	1-31				3-16		12-7
	11-2				4-5		13-12
1440476X1	3-13				4-7	3000483X1	10-2
	4-5				6-5		10-5
	7-3				11-2		10-6
	9-3				12-6		10-10
	10-1			1441917X1	13-3		13-9
	17-7				13-8		13-11
					13-12	3001162X1	1-30
				1442034X1	1-25		13-12
					10-1	3002706X1	1-28
							1-29
							1-30
						3005686X1	13-12

3008469	12-13	3009507X1	4-5	339009X1	1-1	339123X1	1-1
3008923X1	1-9		4-7		1-9		1-3
	1-15		5-2		1-12		1-4
	3-11		6-6		3-15		1-5
	11-1		6-11		3-16		1-6
3009404X1	11-2		11-2		3-17		1-8
3009431X1	13-13		17-2		10-3		1-9
3009440X1	17-1		17-3		13-2		1-10
	17-3	3009509X1	4-2		13-9		1-11
3009491X1	1-3		4-3		13-13		1-12
	3-12		4-5		17-5		1-14
	6-3		10-5	339010X1	1-1		1-15
	6-9	3009695X1	1-3		1-6		1-16
	11-2		1-8		1-10		1-17
	13-2		1-14		1-11		1-18
	13-5		1-24		1-16		1-19
	13-12		2-2		1-17		1-20
	17-3		3-12		1-31		1-21
3009492X1	1-4		3-14		6-12		1-27
	1-25		4-3		13-9		2-2
	3-15		4-5	339011X1	7-1		2-3
	3-16		4-7		13-12		3-4
	3-17		5-2	339019X1	1-1		3-5
	4-4		6-3		1-6		3-11
	6-3		6-11		1-12		3-12
	6-5		6-12		1-31		3-13
	6-7		6-13		2-1		3-14
	6-11		6-14		2-3		3-15
	7-4		10-5	339034X1	1-5		3-16
	7-5		10-6		4-1		3-17
	10-6		11-2		4-2		4-4
	13-1		12-5		4-5		6-1
	13-9	3009747X1	12-1		9-3		6-4
	13-12	3010067X1	12-1		10-1		6-8
3009493X1	1-5		12-2		10-3		6-9
	1-10		12-4		11-2		6-10
	1-11		13-1		17-6		6-12
	1-15		17-7		17-7		6-13
	1-16	3010471X1	13-11	339037X1	1-26		6-14
	1-17	3010934X1	3-4		2-1		7-3
	1-24	3015257X1	13-11		2-3		7-4
	2-3	3042085M1	15-4	339046X1	11-1		7-5
	3-15	3304510M92	13-10	339052X1	1-1		10-1
	3-16	3310825M1	13-10	339055X1	1-18		10-3
	3-17	3310827M92	13-11		1-20		11-2
	3-19	3310831M91	13-10	339071X1	1-31		13-1
	4-2	3310833M1	13-10		4-4		13-2
	4-3	3310834M1	13-10		10-3		13-6
	4-7	3310836M1	13-11		13-12		13-9
	6-3	3310837M1	13-10	339072X1	4-7		13-12
	6-7		13-11	339079X1	1-31		17-1
	6-9	3310839M1	13-11	339106X1	2-2		17-3
	7-2	3310840M1	13-10		4-1		17-5
	7-5	3310841M1	13-10				
	9-1	3310842M1	13-10				
	9-6	3310843M1	13-10				
	10-5	3310849M1	13-10				
	10-6	3310945M1	13-11				
	11-1	3310946M1	13-11				
	11-2	3311579M91	13-11				
	13-3	338612X1	13-6				
	13-5	338616X1	10-5				
	13-12	338617X1	2-2				
	17-3		10-4				
	17-7		10-9				
3009495X1	1-31	338620X1	10-9				
3009498X1	1-2	3387318M1	16-3				
	1-3		16-5				
	1-7	3387319M1	16-3				
	1-8		16-5				
	1-13	3387322M1	16-3				
	1-14		16-5				
	2-3	339003X1	4-3				
3009503X1	5-2		4-5				
	6-11		6-7				
			9-2				

NUMERICAL INDEX
INDEX NUMERIQUE
NUMMERN-INDEX
INDICE NUMERICO

339124X1	1-1 1-2 1-4 1-9 1-15 1-16 1-17 2-1 2-2 2-3 3-15 3-16 3-17 4-3 6-12 6-13 7-1 7-5 11-1 13-1 13-2 13-3 13-7 13-9 13-12 17-5	339199X1	1-4 1-9 1-15 3-13 4-5 4-7 5-3 6-6 7-2 9-3 10-5 10-6 11-2 17-7	339402X1	1-1 1-3 1-4 1-6 1-9 1-12 1-14 1-25 1-31 2-2 2-3 3-15 3-16 3-17 3-19 4-3 4-4 4-7 6-3 6-6 6-9 7-1 7-2 7-4 9-1 10-6 13-1 13-3 13-5 13-12 16-1	339560X1	1-1 1-3 1-5 1-6 1-8 1-10 1-11 1-12 1-14 1-18 1-19 1-20 1-21 1-30 2-4 3-15 3-16 4-2 4-4 4-5 4-6 6-5 6-8 6-13 7-4 9-3 9-6 10-2 11-2 13-1 13-2 13-5 13-9
339126X1	10-1 10-3	339204X1	4-2	339414X1	9-1	339581X1	8-37 8-38 10-1 10-3
339129X1	3-13 4-5 6-8 9-3 17-7	339214X1	3-11 3-15 3-16 3-17	339437X1	1-18 1-20 5-3 6-6 9-3 17-9	339599X1	1-15 7-2 10-7 17-6
339139X1	2-4 3-15 3-16 3-17 4-5 6-8 6-10 11-2 12-8	339226X1	1-25	339441X1	1-2 1-7 1-13 1-14 9-3 1-26 1-26 6-7 1-18 1-20 5-2 1-27	339608X1	1-18 1-20 3-15 3-16 3-17 3-19 4-3 1-1 1-6
339149X1	1-16 1-17	339230X1	1-18 1-19 1-20 1-21 6-5 7-3	339447X1	1-26		
339168X1	1-4 1-9 1-15 2-1 2-3 13-12	339249X1	9-1	339448X1	1-26		
339169X1	1-5 1-6 1-10 1-11 1-16 1-17 1-24 1-25 7-1 7-4 13-3	339262X1	6-1 6-12 13-7	339460X1	6-7	339662X1	1-1 1-6
339170X1	1-16 1-17	339269X1	10-5	339469X1	1-18 1-20		
339194X1	9-1	339307X1	6-3 7-1 7-4 1-5 1-6 1-9 2-2 3-10 3-14	339475X1	5-2		
		339337X1	1-5 1-6 1-9 2-2 3-10 3-14 4-3 4-4 4-5 5-2 6-1 6-3 6-5 6-14 7-1 7-4 7-5 9-1 9-6 13-1 13-3 13-5 13-7 13-12 17-7	339481X1	1-27		
				339531X1	13-1		
				339539X1	16-1		
		339365X1	1-18 1-19 1-20 1-21 6-12 6-14				
		339368X1	17-5				
		339390X1	1-12 17-1 17-2 17-3 17-4				

339666X1	1-2	339804X1	1-1	355619X1	12-13	391038X1	1-2
	1-3		1-30	3583649M1	13-10		1-3
	1-4		2-1	3713341M1	13-12		1-4
	1-5		2-3	3764827M1	3-13		1-5
	1-7		3-15		11-2		1-7
	1-8		3-16	385370X1	1-25		1-8
	1-9		3-17		6-8		1-9
	1-13		4-4		6-10		1-10
	1-14		6-1	390122X1	6-9		1-11
	3-3		6-4	390171X1	6-9		1-13
	3-10		7-1	3902089M1	13-11		1-14
	3-13		7-4	3902090M1	13-11		1-18
	3-15		7-5	390215X1	13-13		1-19
	3-16		13-3	3902212M2	13-11		1-20
	4-3	339814X1	1-2	3902318M91	13-10		1-21
	4-4		1-7	3902320M1	13-10		3-3
	4-6		1-8	3902322M1	13-10		3-13
	6-1		1-13	3902327M1	13-11		4-2
	6-7		1-14	3902329M2	13-11		4-4
	6-8		1-15	3902331M92	13-11		6-1
	6-10		1-25	3902332M1	13-11		6-8
	7-1		1-31	3902334M91	13-11		6-10
	7-3		2-2	3902549M91	13-11		6-12
	7-5		3-11	3902550M1	13-11		7-5
	11-2		3-14	3902551M1	13-11		10-2
	13-1		4-1	390340X1	3-17		13-1
	13-3		4-3	390384X1	3-14		13-2
	13-7		4-4	390419X1	1-1		13-9
	13-9		4-7		6-6		13-13
	13-12		6-5		11-2		17-1
	17-1		7-5		17-1		17-2
	17-2		9-3		17-3		17-3
	17-3		11-1	390538X1	7-3	391057X1	1-31
339721X1	13-12		13-12	390734X1	1-3	391069X1	11-2
	13-13		17-1		1-14	391074X1	13-1
339745X1	10-1		17-5		7-2		13-5
339761X1	1-1	339881X1	1-5	390787X1	2-3	391120X1	7-2
	1-3		11-1		3-12	391129X1	3-10
	1-4	339891X1	1-25	390799X1	1-18		9-3
	1-5		3-19		1-20		12-2
	1-6		7-3		1-25	391148X1	1-19
	1-8	339932X1	13-5		2-3		1-21
	1-9	3405185M1	13-5		4-7		3-13
	1-10	3405419M1	8-32		6-1		3-18
	1-11	3405930M1	16-1		6-3		13-8
	1-12	353439X1	12-9		6-6	391198X1	4-7
	1-14	353691X1	12-10		7-3		12-5
	1-15		12-11		11-2	391212X1	15-4
	1-16	353727X1	12-12	390806X1	6-9	391220X1	1-15
	1-17	354043X1	13-5	390809X1	1-8		9-1
	1-25	354050X1	5-2		1-13		15-4
	1-26	354057X1	4-4		1-14	391347X1	5-3
	2-1		13-1		1-25		6-6
	2-3		13-3		3-14		9-3
	3-11		13-5	390826X1	1-1	391403X1	13-1
	4-4		13-7		1-6	391423X1	1-1
	4-6	354059X1	9-3		1-12		1-6
	6-1	354066X1	1-3		3-11		1-12
	6-3		1-8	390912X1	4-3		13-2
	6-4		1-14		4-7	391561X1	1-24
	6-5		2-2		6-9		3-13
	6-6		2-3	390949X1	7-3	391884X1	7-3
	7-4		2-4		9-1		11-2
	7-5		4-2	390950X1	7-3	391885X1	1-30
	10-3		4-6		9-1	391889X1	1-4
	10-5		9-6	390958X1	1-30		1-9
	13-1		12-6		13-8		1-15
	13-2	354076X1	1-25	390971X1	13-7		1-18
	13-3	354078X1	3-13		13-9		1-20
	13-9		9-2		17-3		3-10
	13-12		11-1				12-2
	17-5	354276X1	12-9			392310X1	6-10
	17-7		12-10			392383X1	6-10
		354416X1	11-1				13-4
			12-5				13-5
			13-3				
		354661X1	12-12				

NUMERICAL INDEX
INDEX NUMERIQUE
NUMMERN-INDEX
INDICE NUMERICO

394367X1	1-1	621235M1	1-28	71160303	12-10	71334701	12-13				
	1-3		1-29		12-11		71335782	12-9			
	1-4		1-30		12-10		71335783	12-9			
	1-5		13-12		12-11		71335784	12-9			
	1-6		15-1		12-13		71335785	12-9			
	1-8		15-2		12-13		71339238	12-13			
	1-9		6217801M1		12-13		71340437	12-13			
	1-10		6217802M1		12-13		71344597	12-12			
	1-11		6223377M91		3-4		71344598	12-12			
	1-12		70042847		12-12		71347777	12-12			
	1-14		700717365		12-13		71347782	12-12			
	1-15		70210011		12-13		71369299	12-13			
	1-16		70210012		12-13		71370926	12-13			
	1-17		70225441		12-9		71373573	12-13			
	1-18		70226012		12-9		71375556	3-6			
	1-19		70234607		12-11			3-7			
	1-20		70234608		12-11			3-6			
	1-21		704031		12-9			3-7			
	1-25		705541		12-12			3-6			
	1-26		705665		12-13			3-7			
	1-27		70901480		12-13						
	1-31		70901651		12-9			71377407	12-11		
	2-1		70901840		12-13			71377408	12-11		
	2-2		70912094		12-13			71377409	12-11		
	2-3		70917579		12-10			71377410	12-10		
	3-3				12-11			71377411	12-10		
	3-10		70919393		12-9			71377412	12-10		
	3-11		70921402		12-9			71377413	12-10		
	3-12		70921409		12-9			71377414	12-10		
	3-13		70921419		12-13			71377416	12-10		
	3-14		70922823		12-9			71377417	12-10		
	3-15		70923154		12-12			71377534	12-10		
	3-16		70923404		12-10			71377535	12-10		
	3-17				12-11			71377547	12-12		
	3-18		70923594		12-12			71377548	12-11		
	4-1		70923690		12-9			71377549	12-10		
	4-3				12-13			71377707	12-12		
	4-4		70923808		12-10			71377711	12-10		
	4-5		70923816		12-10			71377712	12-10		
	5-2				12-11			71377713	12-10		
	6-1				12-13			71377714	12-10		
	6-3		70924186		12-9			71377715	12-10		
	6-4		70925806		12-13			71377716	12-10		
	6-5		70925919		12-9			71377717	12-12		
	6-6		70926115		12-9			71377718	12-12		
	6-8		70926551		12-9			71377719	12-12		
	6-10				12-13			71377720	12-12		
	6-12		70927321		12-12			71377721	12-12		
	6-14		70927469		12-12			71377722	12-10		
	7-1		70927952		12-10			71377723	12-10		
	7-3				12-11			71377724	12-12		
	7-4		70930424		12-12			71386866	12-12		
	7-5		70930426		12-12			71386867	12-12		
	9-1		70930798		12-10			71387506	12-12		
	9-6				12-11			71389646	12-13		
	10-1		70930883		12-13			71389647	12-13		
	10-3		70930884		12-13			71391572	12-13		
	10-5		70930911		12-9			71398327	12-12		
	13-1		70932861		12-9			71398330	12-12		
	13-2		70932862		12-9			71398334	12-9		
	13-3		70933295		12-13			71400417	12-13		
	13-4		70933813		12-13			72017072	12-9		
	13-6		70933817		12-13			74906602	12-9		
	13-7		70936750		12-13			74906603	12-9		
	13-12		70950264		12-13			7713860	12-13		
	13-13		70950377		12-13			7744477	12-13		
	17-1		70950386		12-13			79014625	12-9		
	17-3		70950388		12-13				12-10		
	17-5		70950417		12-13				12-11		
	395557X1		6-3		71160001		12-10			79021648	12-9
			7-1				12-11				12-10
			7-4		71160040		12-10				12-11
	412260M1		7-1				12-11				12-12
			7-3		71160055		12-12				12-13
			7-4		71160067		12-10				12-10
	6205713M1		3-6				12-11				12-11
			3-7		71160085		12-12				12-12
								71162565	12-10		
								71162781	12-13		
								71162782	12-13		
								71166170	12-13		
								71166171	12-13		
								71166172	12-13		
								71171602	12-9		
								71175961	12-10		
					12-11						
				71175962	12-10						
					12-11						
				71175963	12-10						
					12-11						
				71177385	12-10						
				71177386	12-10						
				71177930	12-9						
				71178888	12-11						
				71183170	12-9						
				71183403	12-10						
				71183439	12-9						
				71183535	12-9						
				71183536	12-9						
				71183747	12-9						
				71183750	12-9						
				71183757	12-13						
				71183828	12-9						
				71183839	12-11						
				71183840	12-9						
				71184133	12-11						
				71184134	12-11						
				71184135	12-11						
				71184140	12-11						
				71184144	12-10						
					12-11						
				71184145	12-9						
				71184147	12-9						
				71184148	12-9						
				71186745	12-10						
					12-11						
				71186746	12-10						
					12-11						
				71190292	12-11						
				71195328	12-10						
					12-11						
				712208	12-10						
				71300507	12-10						
				71300509	12-11						
				71302467	12-11						
				71302468	12-11						
				71302469	12-11						
				71302471	12-11						
				71304261	12-13						
				71304262	12-13						
				71304263	12-13						
				71304264	12-13						
				71304265	12-13						
				71304266	12-13						
				71304267	12-13						
				71304271	12-13						
				71304292	12-13						
				71305651	12-9						
				71311546	12-13						
				71312323	12-13						
				71313115	12-9						
					12-13						
				71314481	12-13						
				71314833	3-6						
					3-7						
				71314843	3-6						
					3-7						
				71317628	12-10						
				71317841	3-6						
					3-7						
				71327595	12-13						

846634	12-9	D20400414	1-2	D20400419	1-1	D20400426	1-1
950579M1	1-26		2-2		1-4		1-6
965465M1	13-12		6-6		1-5		1-12
D01906800	7-1		7-1		1-6		1-24
	13-8		7-4		1-9		1-25
D17200640	1-25		7-5		1-10		1-27
D18184285	10-7		13-12		1-11		1-28
D18186890	15-2		17-3		1-12		1-29
D18187018	15-1	D20400415	1-3		1-15		1-30
D18230447	1-25		1-5		1-16		2-3
D18250549	1-25		3-4		1-17		3-6
D18250648	1-16		3-14		1-18		3-7
D18251600	1-25		4-1		1-20		3-10
D18251602	1-25		4-4		1-31		3-15
D18251603	1-25		4-7		2-2		3-16
D18260226	1-25		5-2		3-10		3-17
D18280040	1-2		6-6		3-13		4-2
D18685025	2-3		11-2		4-1		4-7
	2-4		13-12		4-3		6-3
D18685026	2-2	D20400416	1-1		4-4		6-8
	2-4		1-4		4-6		6-9
D18880030	9-1		1-9		4-7		6-10
D18880031	9-1		1-15		5-1		6-11
D18981621	13-12		2-3		5-2		6-12
D20400400	1-30		4-2		6-3		6-14
	13-5		4-3		6-7		7-4
	13-12		4-4		6-9		10-4
D20400403	2-1		6-5		7-5		10-5
	2-3		6-6		13-1		12-5
D20400404	1-1		6-9		13-2		13-7
	1-3		7-3		13-5		13-12
	1-5		7-4		13-9		17-5
	1-6		7-5		13-12		17-7
	1-8		9-1		17-3	D20400428	1-1
	1-10		9-3	D20400420	3-14		1-12
	1-11		9-6		13-12		12-2
	1-12		10-6	D20400421	4-3	D20400429	9-3
	1-14		11-1		7-5		13-1
	1-27		13-1	D20400422	4-3	D20400430	13-1
	1-30		13-12	D20400423	1-13	D20400433	17-1
	2-4		17-1		1-24		17-3
	3-5		17-3		1-25	D20400437	10-5
	3-10		17-7		1-27		12-1
	3-12	D20400417	10-9		3-5		12-7
	3-15				3-12	D20400438	1-1
	3-16				4-3		1-12
	3-17				10-5		1-28
	4-4				10-6		1-29
	6-12			D20400424	2-4		12-2
	7-3				4-2		12-4
	9-3				4-3		12-6
	11-2				5-2		13-13
	12-5				6-11	D20400439	1-28
	13-1				9-2		1-29
	13-2				11-2		10-1
	13-3			D20400425	3-4	D20400441	1-1
	13-8				3-14		1-31
	13-12				7-4		13-1
D20400405	1-5				12-6	D20400446	4-3
	4-6				15-4		4-5
	9-6					D20400453	1-30
	13-5						3-10
D20400408	4-3						6-5
	6-14						11-1
D20400410	6-13						12-2
	7-5						13-6
D20400411	6-1					D20400456	3-14
	10-3						
D20400413	1-12						
	1-27						
	2-1						
	2-3						
	3-4						
	9-1						
	10-3						
	13-12						

NUMERICAL INDEX
INDEX NUMERIQUE
NUMMERN-INDEX
INDICE NUMERICO

D20400459	1-4 1-27 3-1 3-11 3-13 4-5 7-2 9-3 10-1 10-3 10-5 10-6 11-1 17-6 17-7	D20400471	1-2 1-3 1-15 1-25 1-31 2-2 2-3 3-1 3-11 4-2 4-4 4-5 4-7 6-3 6-5 6-7 7-4 9-3 10-5 11-1 12-7 13-3 13-12 17-3 17-7	D20400506	1-1 1-2 1-3 1-4 1-5 1-6 1-8 1-9 1-10 1-11 1-12 1-14 1-15 1-16 1-17 1-18 1-19 1-20 1-21 1-24 1-25 1-26 1-27 1-31 2-1 2-3 3-2 3-4 3-5 3-11 3-12 3-13 3-14 3-15 3-16 3-17 3-19 4-1 4-3 4-4 4-6 5-2 6-1 6-3 6-4 6-5 6-8 6-9 6-10 6-12 7-1 7-3 7-4 7-5 8-34 9-1 9-6 10-1 10-3 10-5 11-1 11-2 13-1 13-2 13-3 13-5 13-6 13-7 13-9 13-12 17-1 17-5 17-7	D20400507	1-8 1-24 1-25 1-31 2-1 3-9 3-15 3-16 3-17 3-19 4-4 6-7 9-3 13-9 6-9 1-4 1-18 1-20 17-3 10-6 1-25 2-3 2-4 12-6 1-3 1-8 1-14 2-4 3-16 1-3 1-6 1-12 1-14 1-27 17-7 1-1 1-8 3-6 3-7 9-3 17-6 17-7 4-5 13-2 1-31 4-7 6-5 6-9 6-11 9-2 12-5 2-1 2-1 2-3 3-5 4-6 6-7 13-12 10-6 4-5 10-6 1-1 1-6 1-12 1-31 15-3 17-9 13-4 13-4 1-28 1-29 4-6 7-1 7-4 7-5
D20400460	1-4 1-9 1-15 1-18 1-20 3-13 4-5 13-1		6-7 7-4 9-3 10-5 11-1 12-7 13-3 13-12 17-3 17-7			D20400513 D20400516	6-9 1-4 1-18 1-20 17-3
D20400461	1-1 3-15 3-16 3-17 4-2 13-4	D20400473	1-28 1-29 4-3 4-5 4-7 6-1 6-3 6-6 6-9 6-11 6-12 9-3 10-4 11-1			D20400517 D20400518	10-6 1-25 2-3 2-4
D20400462	1-28 1-29 3-15 3-16 3-17 3-19 7-2		6-1 6-3 6-6 6-9 6-11 6-12 9-3 10-4 11-1			D20400519 D20400520	12-6 1-3 1-8 1-14 2-4 3-16 1-3 1-6 1-12 1-14 1-27 17-7
D20400463	1-4 5-3		6-1 6-3 6-6 6-9 6-11 6-12 9-3 10-4 11-1			D20400521 D20400522	1-3 1-6 1-12 1-14 1-27
D20400466	1-4 1-9 1-15 1-27 13-1 13-2 13-3 13-8 13-9 13-12	D20400500	1-31 6-8 13-1 13-7 1-29 2-2 2-3 13-5			D20400523 D20400530	1-1 1-8 3-6 3-7 9-3 17-6 17-7 4-5 13-2
D20400467	3-3 3-13	D20400503	1-29			D20400531 D20400537	4-5 13-2 1-31 4-7 6-5 6-9 6-11 9-2
D20400468	3-6 3-7 17-1 17-3	D20400505	2-2 2-3 13-5			D20400540 D20400585 D20400586	12-5 2-1 2-1 2-3 3-5 4-6 6-7 13-12 10-6 4-5 10-6 1-1 1-6 1-12 1-31 15-3 17-9 13-4 13-4 1-28 1-29 4-6 7-1 7-4 7-5
D20400470	3-13 6-1 6-13 13-5					D20400674 D21100341 D25400068 D25400086 D25700260 D25700322 D26500317 D26600305 D26733226 D26734846 D26734881 D27100120	3-5 4-6 6-7 13-12 10-6 4-5 10-6 1-1 1-6 1-12 1-31 15-3 17-9 13-4 13-4 1-28 1-29 4-6 6-4 7-1 7-4 7-5

D27100794	1-4	D28181284	1-4	D28184474	16-2	D28185806	12-14
	1-9		1-5	D28184486	9-4		12-15
	1-15		1-9	D28184487	15-2	D28185809	12-15
D27200158	6-8		1-15	D28184488	15-3	D28185811	12-15
D27200313	1-25		1-18	D28184489	15-2	D28185813	12-14
D27200364	1-25		1-20		15-3	D28185815	12-14
D27300181	4-3		1-27	D28184490	15-3		12-15
D27300186	16-1		3-10	D28184491	15-3	D28185834	12-15
D27300323	1-25		3-13	D28184492	15-3	D28185835	12-15
D27700245	7-3		4-1	D28184493	10-3	D28185838	12-15
D28080050	16-35		4-2	D28184496	15-1	D28185839	12-15
D28080365	13-8		4-5	D28184497	15-2	D28185842	12-14
D28080609	11-2		9-3	D28184498	15-3	D28185843	12-14
D28080790	7-3		11-2	D28184500	15-2	D28185846	12-14
D28080861	4-3		17-6	D28184501	15-2	D28185847	12-14
D28080862	4-3		17-7	D28184502	15-2	D28185876	12-14
D28080944	7-1	D28181404	7-1	D28185090	12-3		12-15
D28081021	11-2	D28181516	6-4		12-4	D28185883	12-14
D28081039	11-2	D28181530	15-3	D28185096	12-3		12-15
D28081587	13-7	D28181535	15-3	D28185108	12-3	D28185884	12-14
D28084225	6-12	D28181537	15-4		12-4		12-15
D28085632	13-8	D28181558	12-5	D28185173	12-3	D28185891	12-14
D28085634	13-8	D28181559	12-5	D28185271	4-1		12-15
D28086532	6-13	D28181623	15-4		12-5	D28185892	12-14
	6-15	D28181647	12-2	D28185279	10-4		12-15
D28086796	6-13	D28181652	12-2	D28185289	12-1	D28185911	12-1
	6-15	D28181678	14-6		12-2		12-2
D28120289	6-2	D28181683	14-15	D28185291	15-2	D28185936	12-3
D28150801	12-5	D28181710	4-6	D28185292	15-2		12-4
D28150802	12-5	D28181714	3-13	D28185296	15-2	D28185975	6-15
D28151357	16-1	D28181723	4-6	D28185312	12-3	D28185976	6-15
D28151358	16-1	D28181760	17-3	D28185321	3-11	D28185992	12-5
D28151359	16-1	D28181761	17-3		6-2	D28185993	10-7
D28180058	12-1	D28181837	10-4	D28185356	6-2		15-1
D28180059	12-2	D28181850	10-4	D28185363	12-2	D28185994	10-7
D28180088	12-1	D28181856	3-3	D28185365	12-1	D28185995	15-5
D28180133	4-6		3-13	D28185464	15-3	D28185999	6-2
D28180152	12-5	D28181857	3-3	D28185465	15-3	D28186004	12-5
D28180195	4-2		3-13	D28185545	1-28	D28186005	12-5
D28180246	4-2	D28181858	12-1		1-29	D28186020	6-15
D28180405	4-6		12-2		15-4	D28186023	14-11
D28180409	4-4		12-5	D28185549	17-6		14-15
D28180479	15-2	D28181859	12-1	D28185550	17-6	D28186024	14-11
D28180627	4-4		12-2	D28185551	17-6	D28186025	14-11
D28180628	4-4		12-5	D28185552	17-6	D28186026	14-15
D28180629	4-4	D28181860	15-4	D28185562	14-4	D28186038	5-2
D28180630	4-4	D28181903	4-6	D28185563	14-6	D28186058	5-2
D28180632	4-4	D28181904	12-7	D28185565	14-6	D28186066	12-15
D28180703	7-3	D28182292	12-6	D28185566	14-3	D28186069	12-15
D28180889	15-2	D28182346	12-14	D28185570	14-4	D28186070	12-15
D28180928	11-2		12-15	D28185590	12-6	D28186101	12-14
D28181019	4-6	D28182348	12-14	D28185600	12-1	D28186104	12-14
D28181033	15-2		12-15	D28185614	12-4	D28186105	12-14
D28181046	15-4	D28182349	12-14	D28185622	15-3	D28186111	12-5
D28181052	9-5		12-15	D28185626	4-1		12-6
D28181054	9-5	D28182354	12-14		12-2	D28186141	12-1
D28181056	9-5		12-15	D28185628	12-1		12-2
D28181073	3-3	D28182357	12-14	D28185630	6-2	D28186144	12-1
	3-13	D28182364	12-3	D28185631	6-2		12-2
D28181088	4-2		12-4	D28185640	12-2	D28186147	9-4
D28181106	3-11	D28182366	12-3	D28185641	12-2	D28186178	12-1
	6-2	D28182368	12-3	D28185645	12-2	D28186179	12-2
D28181107	3-11		12-4	D28185671	10-10	D28186182	12-5
	6-2	D28182372	12-14	D28185673	12-2		12-6
D28181126	3-11		12-15	D28185674	12-3	D28186189	12-5
	4-3	D28182373	12-14		12-4	D28186190	12-5
	6-2		12-15	D28185689	12-2	D28186215	15-4
D28181144	4-2	D28182378	12-14	D28185690	12-2	D28186217	15-4
D28181157	6-2	D28182379	12-14	D28185694	12-2	D28186218	15-5
D28181161	12-1	D28182381	12-3	D28185696	12-2	D28186226	15-4
D28181201	4-2		12-4		16-1	D28186227	15-5
D28181230	3-13	D28182403	15-2	D28185704	9-4	D28186230	17-6
		D28184058	4-1	D28185706	9-4	D28186239	10-9
		D28184239	16-2	D28185712	9-4	D28186254	12-2
		D28184285	15-1	D28185783	6-15		12-4
		D28184441	3-11	D28185784	6-15	D28186260	15-3
			6-2	D28185785	6-15	D28186293	15-5

NUMERICAL INDEX
INDEX NUMERIQUE
NUMMERN-INDEX
INDICE NUMERICO

D28186296	15-3	D28186717	6-2	D28200609	1-27	D28251380	1-18
D28186298	10-9	D28186718	6-2	D28200738	1-1		1-19
D28186299	10-9	D28186722	6-2		1-6		1-20
D28186315	15-4	D28186723	6-2	D28210500	13-12		1-21
D28186318	15-5	D28186726	6-2	D28210881	3-13	D28251417	1-18
D28186324	15-4	D28186727	6-2		4-5		1-20
D28186327	3-11	D28186728	6-2		9-3	D28251418	1-18
	6-2	D28186731	6-2		10-5		1-20
D28186342	12-15	D28186732	6-2		11-2	D28251419	1-18
D28186343	12-15	D28186734	6-2		17-7		1-20
D28186346	12-14	D28186737	6-2	D28211023	1-2	D28251420	1-18
D28186347	12-14	D28186738	6-2	D28211025	4-7		1-20
D28186417	17-6	D28186741	15-1		5-3	D28251445	1-18
D28186442	15-4	D28186742	15-1		6-6		1-20
D28186460	15-3	D28186744	15-1	D28230292	1-1	D28251448	1-18
D28186464	15-4	D28186747	9-4		1-6		1-20
D28186465	15-4	D28186748	15-1		1-12	D28251476	9-3
D28186466	15-4	D28186750	15-1	D28230467	1-25	D28251484	7-3
D28186493	6-2	D28186752	10-3	D28230472	1-25		14-7
D28186495	6-2		10-7	D28230473	1-25	D28251486	1-10
D28186496	6-2	D28186753	10-3	D28230480	1-25		1-11
D28186503	12-3	D28186754	10-3	D28230482	1-25	D28251519	1-18
	12-4	D28186755	15-1	D28230486	1-25		1-20
D28186504	12-3	D28186756	15-1	D28230487	1-25	D28251543	1-19
	12-4	D28186757	15-1	D28230488	1-24		1-21
D28186505	12-3	D28186759	15-1		1-25	D28251544	1-19
D28186516	15-5	D28186764	15-1	D28230632	9-6		1-21
D28186539	17-6	D28186773	15-1	D28230830	1-1	D28251545	1-19
D28186542	15-1	D28186774	6-2		1-6		1-21
D28186553	15-4	D28186777	15-2		1-12	D28251547	1-19
D28186555	15-4	D28186779	15-2	D28230831	1-1		1-21
D28186558	15-4	D28186780	15-2		1-6	D28251559	1-30
D28186559	15-1	D28186782	15-2	D28230841	1-1	D28251562	1-18
D28186563	15-1	D28186784	15-2		1-6		1-20
D28186566	15-1	D28186785	6-2		1-12	D28251565	1-18
D28186570	15-1	D28186786	6-2	D28230842	1-12		1-20
D28186572	12-5	D28186787	6-2	D28230843	1-12	D28251581	1-18
D28186573	15-1	D28186788	6-2	D28230844	1-12		1-20
D28186580	12-5	D28186790	6-2	D28230845	1-12	D28251582	1-19
D28186581	12-5	D28186796	10-3	D28250305	1-27		1-21
D28186619	15-1	D28186801	15-1	D28250317	1-27	D28251583	1-18
D28186624	12-2	D28186802	15-1	D28250327	1-27		1-20
	12-4	D28186847	7-3	D28250337	1-27	D28251588	1-24
D28186625	12-1	D28186852	7-3	D28250340	1-27		1-25
D28186641	15-4	D28186853	6-2	D28250355	1-27	D28251604	1-25
D28186642	15-4	D28186854	6-2	D28250356	1-27	D28251831	1-2
D28186645	17-9	D28186889	15-2	D28250441	6-6		1-7
D28186647	15-2	D28186893	15-2		9-3		1-13
D28186648	15-2	D28186902	12-15		17-6	D28260098	11-1
D28186649	15-2	D28186905	12-15		17-7	D28260181	1-4
D28186650	12-7	D28186906	12-15	D28250444	1-15	D28260362	1-1
D28186662	15-1	D28186909	12-15		5-3		1-6
D28186664	15-1	D28186912	12-15		6-6		1-12
D28186666	6-15	D28186913	12-15		9-3	D28260383	3-4
D28186669	6-2	D28186916	12-15		17-6		3-14
D28186670	6-2	D28186919	12-15		17-7	D28260477	1-27
D28186674	6-2	D28186920	12-15	D28250653	14-16		3-2
D28186675	6-2	D28186923	12-14	D28250656	10-5		3-3
D28186676	15-2		12-15		14-16		3-13
D28186677	15-2	D28186926	12-14	D28250748	1-27	D28270225	3-6
D28186678	15-2	D28186927	12-14	D28250931	1-18		3-7
D28186679	15-2	D28186951	12-14		1-19	D28270226	3-6
D28186680	15-1	D28186952	12-14	D28250932	1-18		3-7
	15-2	D28186971	12-15		1-19	D28270227	3-6
D28186683	15-2	D28186972	12-15		1-20		3-7
D28186684	15-2	D28187004	15-3		1-21	D28270228	3-6
D28186686	15-2	D28187006	15-3	D28251025	3-1		3-7
D28186687	15-2	D28187011	16-2		3-11	D28270229	3-6
D28186689	6-2	D28188487	15-1	D28251161	1-18		3-7
D28186691	3-11	D28188489	15-1		1-20	D28270230	3-6
	6-2	D28188492	7-3	D28251163	1-18		3-7
D28186692	6-2	D28188496	15-1	D28251379	1-18	D28270233	3-6
D28186694	6-2	D28188498	15-1		1-19		3-7
D28186698	9-4	D28200239	9-1		1-20	D28270234	3-5
D28186707	15-1	D28200314	1-1		1-21	D28270235	3-4
D28186710	15-1		1-6			D28270241	3-6
D28186714	15-1	D28200551	1-1				3-7

D28270243	3-6	D28274789	3-9	D28281296	3-5	D28281694	1-3
	3-7	D28280014	1-2		3-11		1-8
D28273725	3-4		1-3		3-14		1-14
D28273732	1-10		1-7	D28281304	3-1	D28281698	1-18
	1-15		1-8	D28281309	3-10		1-20
D28273743	1-9		1-13	D28281310	1-18	D28281699	1-18
	1-10		1-14		1-19		1-20
D28273799	1-15	D28280112	3-1		1-20	D28281705	3-2
D28273804	3-9		3-10		1-21		3-12
D28273806	3-9	D28280116	3-1	D28281311	1-18	D28281706	1-1
D28273811	3-9		3-11		1-20	D28281759	3-14
D28273821	10-2	D28280118	3-1	D28281315	3-12	D28281767	3-4
D28273822	10-2		3-11	D28281324	1-1		3-14
D28273823	10-2	D28280120	3-1		1-6	D28281769	3-15
D28273829	10-1		3-11		1-12		3-16
D28273834	10-1	D28280138	3-10		1-15		3-17
D28273838	10-1	D28280142	3-10	D28281338	1-22		3-19
D28273841	10-1	D28280225	1-4		1-23	D28281771	3-4
D28273844	10-8	D28280236	2-4		7-2		3-15
D28273854	10-6	D28280237	2-4	D28281339	1-22		3-16
D28273858	10-1	D28280252	3-1		1-23		3-17
D28273861	10-4		3-11	D28281365	1-4	D28281772	3-15
D28273863	10-2	D28280261	3-1		1-9		3-16
D28273865	10-2		3-11		1-15		3-17
D28273867	10-2	D28280309	3-4		7-2	D28281777	3-4
D28273868	10-6		3-14	D28281374	3-14		3-14
D28273870	10-1	D28280359	1-16	D28281387	1-3	D28281779	3-5
D28273871	10-4		1-17	D28281390	1-22	D28281781	3-6
D28273880	16-16	D28280382	2-2		1-23		3-7
D28273881	16-25		2-3	D28281391	1-22	D28281782	3-6
D28273882	10-1	D28280383	2-2		1-23		3-7
D28273887	13-5		2-3	D28281431	1-3		3-15
D28273888	10-9	D28280440	3-4		1-8		3-16
D28273901	10-2		16-1		1-14		3-17
D28273902	10-2	D28280441	3-6	D28281432	1-3	D28281783	3-5
D28273911	16-11		3-7		1-8		3-15
D28273917	3-8		3-15		1-14		3-16
D28273918	3-8		3-16	D28281478	3-10		3-17
D28273919	3-2		3-17	D28281479	3-10	D28281784	3-15
D28273924	3-5	D28280489	3-4	D28281492	1-1		3-16
D28273928	3-5		3-14		1-6	D28281787	3-16
D28273929	3-5	D28280537	3-4	D28281493	1-1	D28281788	3-15
D28273932	3-9		3-14		1-6		3-16
D28273933	3-5	D28280540	3-12	D28281517	2-2		3-17
D28273934	3-5	D28280653	14-3	D28281518	2-4		3-19
D28273941	3-5		14-4	D28281522	1-18	D28281789	3-15
D28273942	3-5		14-6		1-20		3-16
D28273943	3-5		14-9	D28281552	3-10		3-17
D28273950	1-15	D28280676	14-7	D28281557	3-12		3-19
D28273963	3-4	D28280677	14-7	D28281562	1-19	D28281798	3-4
D28273972	1-15	D28280729	1-3		1-21		3-14
D28273973	1-4	D28280782	10-4	D28281563	1-19	D28281799	3-4
D28273974	1-4	D28280787	1-4	D28281570	1-4		3-14
	1-9		1-9	D28281572	1-24	D28281805	1-5
D28273980	1-10		1-15	D28281574	1-1	D28281806	1-5
	1-16		7-2		1-6	D28281807	1-5
D28274024	1-15	D28280789	3-13		1-12	D28281808	1-5
D28274025	1-15	D28280790	3-13	D28281575	1-1	D28281810	3-6
D28274026	1-15	D28280802	3-13		1-6		3-7
D28274027	1-9	D28280819	1-9		1-12		3-15
D28274029	1-15		1-15	D28281576	1-1		3-16
D28274030	1-15	D28280923	1-18		1-6		3-17
D28274038	1-15		1-19		1-12	D28281819	3-17
D28274039	1-15	D28280981	1-4	D28281577	1-4	D28281820	3-17
D28274040	1-15		1-9	D28281578	1-4	D28281825	3-17
D28274047	1-15		1-15	D28281617	3-15	D28281840	3-1
D28274048	1-10	D28280984	3-10		3-16		3-12
	1-16	D28281067	1-12		3-17	D28281853	3-4
D28274049	1-10	D28281207	14-4		3-19		3-14
	1-16	D28281208	14-4	D28281618	3-1	D28281854	3-4
D28274058	3-5	D28281245	3-4		3-11		3-14
	3-9		3-14	D28281626	2-2	D28281870	3-1
D28274066	3-4	D28281247	3-2		2-3		3-12
D28274175	3-6		3-12	D28281662	3-10	D28281871	3-1
	3-7	D28281280	3-14	D28281663	3-10		3-12
D28274181	1-10			D28281693	1-6	D28281874	3-1
	1-16						3-12

NUMERICAL INDEX
INDEX NUMERIQUE
NUMMERN-INDEX
INDICE NUMERICO

D28281878	3-16	D28282364	1-24	D28282795	1-28	D28283029	1-2
	3-17		1-25		1-29	D28283039	1-2
	3-18	D28282367	1-24	D28282807	1-28		1-7
D28281879	3-16	D28282368	1-24		1-29		1-13
	3-17		1-25	D28282816	1-28	D28283060	1-3
	3-18	D28282369	1-24		1-29		1-8
D28281954	3-19		1-25	D28282817	1-28		1-14
D28281957	3-4	D28282372	1-24		1-29	D28283078	1-8
	3-14	D28282375	1-24	D28282820	1-28		1-14
	3-4		1-25		1-29	D28283090	1-4
D28281960	3-4		1-26	D28282837	1-29	D28283103	1-1
D28281961	3-19	D28282389	1-26	D28282847	1-10	D28283109	1-1
D28281963	3-4	D28282390	1-26		1-16	D28283182	1-8
D28281966	3-4		1-28		1-28	D28283200	1-4
D28281981	3-9		1-29	D28282865	1-29		1-9
	3-19	D28282391	1-26		1-29		1-15
D28281982	3-14	D28282392	1-26	D28282866	1-29		1-5
D28281983	3-19	D28282393	1-26	D28282867	1-29	D28283253	1-5
D28282040	3-13	D28282395	1-26		1-29	D28283254	1-5
D28282086	3-4	D28282398	1-26	D28282870	1-28	D28283255	1-5
D28282153	1-26		1-28		1-29	D28283256	1-5
D28282232	3-4		1-29	D28282871	1-28	D28283294	1-3
	3-14	D28282399	1-26		1-29	D28283297	1-8
D28282251	3-15	D28282400	1-26	D28282872	1-28		1-14
	3-16	D28282401	1-26		1-29	D28283300	2-4
	3-17	D28282402	1-26	D28282879	1-28	D28283321	1-5
D28282283	1-22	D28282403	1-26	D28282881	1-28	D28283324	1-5
	1-23	D28282404	1-26	D28282884	1-28	D28283406	1-5
D28282284	1-22	D28282417	1-24	D28282885	1-28	D28283436	14-3
	1-23		1-25		1-29		14-4
D28282285	1-22	D28282429	1-3	D28282887	1-28	D28283437	14-3
	1-23		1-14	D28282892	1-28		14-4
D28282287	1-22	D28282430	1-3	D28282895	1-28	D28283438	14-3
	1-23		1-14		1-29		14-4
D28282288	1-22	D28282433	1-3	D28282896	1-29	D28283544	3-10
	1-23		1-14	D28282936	1-29	D28283545	3-10
D28282291	1-22	D28282449	1-28	D28282937	1-29	D28283557	1-5
	1-23		1-29	D28282943	1-29	D28283571	14-4
D28282292	1-22	D28282460	3-15	D28282948	1-28	D28283572	14-4
	1-23		3-16		1-29	D28283593	3-1
D28282293	1-22		3-17	D28282954	1-28		3-10
	1-23	D28282470	1-28		1-29		3-11
D28282294	1-22		1-29	D28282956	1-28	D28283598	3-1
	1-23	D28282479	3-10		1-29		3-10
D28282295	1-22	D28282480	1-26	D28282960	1-29		3-11
	1-23	D28282485	1-26	D28282962	1-29	D28283633	1-27
D28282296	1-22	D28282490	1-26	D28282963	1-28	D28283658	1-27
	1-23	D28282495	1-26		1-29	D28283668	1-27
D28282299	1-22	D28282540	1-26	D28282967	1-28	D28283675	1-27
	1-23	D28282609	1-26		1-29	D28283676	1-27
D28282301	1-22	D28282633	1-26	D28282972	1-28	D28283678	1-27
	1-23	D28282634	1-5		1-29	D28283683	1-27
D28282302	1-22	D28282642	1-26	D28282974	1-28	D28283693	1-26
	1-23	D28282645	1-26		1-29		1-27
D28282303	1-22	D28282647	1-26	D28282976	1-28		1-28
	1-23	D28282715	3-6		1-29		1-29
D28282304	1-22		3-7	D28282986	1-28	D28283815	1-3
	1-23	D28282720	1-28	D28282988	1-28		1-8
D28282305	1-22		1-29	D28282993	1-28		1-14
	1-23	D28282725	1-28		1-29	D28283826	14-3
D28282306	1-22		1-29	D28282994	1-29		14-4
	1-23	D28282728	1-28	D28282995	1-29	D28283835	2-4
D28282307	1-22		1-29	D28283004	1-3	D28283846	3-1
	1-23	D28282730	1-28		1-8		3-10
D28282314	1-22		1-29		1-14	D28283847	1-2
	1-23	D28282746	1-28	D28283006	1-3		1-7
D28282315	1-22		1-29		1-8		1-13
	1-23	D28282780	1-28		1-14	D28283853	1-2
D28282316	1-22		1-29	D28283007	1-3		1-3
	1-23	D28282782	1-28	D28283010	1-1		1-7
D28282326	1-22		1-29		1-6		1-8
	1-23	D28282783	1-28	D28283011	1-1		1-13
D28282327	1-22		1-29		1-6		1-14
	1-23	D28282785	1-29		1-12	D28283861	1-5
D28282328	1-22	D28282789	1-28	D28283012	1-2	D28283865	1-1
	1-23		1-29		1-3		1-6
D28282361	1-24	D28282793	1-28		1-7	D28283875	1-3
			1-29		1-8		1-8

D28283876	1-7	D28284403	1-25	D28285085	1-10	D28285318	1-16
D28283934	1-1	D28284404	1-4		1-11		1-17
	1-6	D28284419	1-28		1-16	D28285322	1-16
	1-12	D28284429	1-28		1-17		1-17
D28283960	1-27	D28284430	1-28	D28285087	1-12	D28285324	3-2
D28283963	1-27	D28284450	1-28	D28285100	1-8	D28285325	3-2
D28283984	1-10		1-29		1-14	D28285326	3-2
	1-11	D28284451	1-29	D28285102	1-8		3-12
	1-16	D28284452	1-27		1-13	D28285366	1-9
	1-17	D28284453	1-27		1-14	D28285373	1-17
D28284035	1-27	D28284456	1-1	D28285113	1-16	D28285374	1-17
D28284042	1-26		1-6		1-17	D28285375	1-16
	1-27		1-12	D28285117	1-9		1-17
D28284043	1-27	D28284458	1-6		1-15	D28285381	13-12
D28284048	1-27	D28284490	1-27	D28285124	1-16	D28285385	1-9
D28284060	1-31	D28284501	1-8	D28285125	1-9	D28285386	3-1
D28284061	1-31	D28284502	1-8	D28285126	1-9		3-10
D28284069	1-31	D28284574	12-2		1-15	D28285400	1-15
D28284080	1-31	D28284655	1-2	D28285127	1-9		1-17
D28284081	1-31	D28284661	1-2		1-15	D28285406	3-2
D28284084	1-31	D28284721	1-15	D28285129	1-13		3-12
D28284087	1-31		1-16	D28285130	1-7	D28285407	3-2
D28284090	1-31	D28284726	1-15		1-13		3-12
D28284094	1-31	D28284727	1-15	D28285134	1-14	D28285423	1-4
D28284101	1-5	D28284728	1-15	D28285135	1-13		1-9
D28284104	1-31	D28284734	1-15	D28285142	1-18		1-15
D28284105	1-31	D28284736	1-15		1-19	D28285426	1-14
D28284107	1-31	D28284737	1-15		1-21	D28285427	1-15
D28284108	1-18	D28284738	1-15	D28285145	1-27	D28285443	1-8
	1-20	D28284739	1-15	D28285150	1-27		1-14
D28284109	1-20	D28284740	1-15	D28285151	1-27	D28285445	1-9
D28284110	1-20	D28284741	1-10	D28285152	1-30	D28285446	1-10
D28284111	1-31		1-16	D28285162	1-24		1-11
D28284123	3-3	D28284743	1-10		1-25	D28285454	1-9
	3-13		1-16		1-31	D28285470	1-14
D28284124	1-31	D28284766	1-9	D28285165	1-24	D28285473	1-15
D28284125	1-31		1-15		1-25	D28285485	1-15
D28284143	1-26	D28284767	1-9		1-31	D28285487	1-10
	1-27	D28284768	1-15	D28285168	1-31		1-15
D28284145	1-18	D28284812	3-9	D28285169	1-31	D28285488	1-21
D28284223	1-1	D28284815	3-9	D28285185	1-24	D28285489	1-21
D28284225	1-1	D28284820	3-4		1-25	D28285491	1-15
D28284226	1-6		16-1		1-31	D28285492	1-4
D28284227	1-6	D28284824	3-5	D28285187	1-31		1-9
D28284229	1-1	D28284826	3-9	D28285189	1-31		1-15
D28284232	1-1	D28284827	3-9	D28285194	1-10	D28285494	1-4
	1-6	D28284829	3-9		1-11		1-9
D28284234	1-1	D28284830	3-9		1-16		1-15
D28284257	1-1	D28284832	1-9		1-17	D28285497	1-4
D28284258	1-1		1-15	D28285197	1-10		1-9
D28284259	1-6	D28284891	3-4		1-11		1-15
D28284260	1-6	D28284892	3-4		1-15	D28285518	1-4
D28284268	1-1	D28284893	3-4		1-16		1-9
D28284269	1-31	D28285011	1-5		1-17		1-15
D28284289	1-31	D28285028	1-13	D28285198	1-12	D28285519	1-4
D28284291	1-31		1-14	D28285250	1-12		1-9
D28284292	1-31	D28285029	1-14	D28285251	1-12		1-15
D28284356	1-1	D28285031	1-14	D28285263	1-16	D28285521	3-14
	1-6	D28285041	1-12		1-17	D28285524	1-16
	1-12	D28285042	1-12	D28285264	1-16		1-17
D28284360	1-6	D28285072	1-12		1-17	D28285527	5-3
D28284361	1-6	D28285073	1-12	D28285271	1-10	D28285531	1-4
	1-12	D28285078	1-10		1-11	D28285535	1-4
D28284363	1-6		1-11	D28285284	3-14	D28285536	1-4
D28284368	3-15		1-16	D28285289	1-10	D28285609	5-3
	3-16		1-17		1-11	D28285616	5-3
	3-17	D28285081	1-10	D28285290	1-9	D28285618	4-6
	3-19		1-11		1-15	D28285651	1-10
D28284372	1-20		1-16	D28285303	1-18		1-11
D28284374	1-21		1-17		1-19	D28285652	1-10
D28284381	1-21	D28285082	1-10		1-20		1-11
D28284385	1-20		1-11		1-21	D28285677	3-14
D28284389	1-1		1-16	D28285312	1-2	D28285678	3-14
D28284399	3-5		1-17		1-8	D28285744	1-30
	3-15	D28285084	1-11		1-13	D28285797	1-7
	3-16		1-16		1-14	D28285811	1-10
	3-17		1-17				1-11

NUMERICAL INDEX
INDEX NUMERIQUE
NUMMERN-INDEX
INDICE NUMERICO

D28285812	1-10	D28286232	3-2	D28380168	11-2	D28380632	4-7
	1-11	D28286268	3-9	D28380169	4-3	D28380658	4-5
D28285813	1-10	D28286269	14-7	D28380170	11-2	D28380700	4-5
	1-11	D28286270	14-7	D28380171	4-4	D28380701	4-5
D28285817	1-18	D28286271	14-4	D28380172	4-4	D28380702	4-5
	1-19	D28286272	14-4	D28380178	4-5	D28380703	4-5
D28285827	1-15	D28286273	14-4		6-6	D28380704	4-5
D28285889	4-5	D28286274	14-4		11-2	D28382048	11-2
D28285941	5-3	D28286291	3-8	D28380184	11-2	D28382049	11-2
D28285967	1-3	D28286307	10-8	D28380189	11-2	D28382050	11-2
D28285968	1-3	D28286407	3-12	D28380191	4-1	D28382051	11-2
D28285974	1-8	D28286408	3-12	D28380193	4-3		14-5
	1-14	D28288151	3-4		9-6	D28382052	11-2
D28285975	1-8		3-14	D28380195	4-5	D28382091	11-2
	1-14	D28350031	4-1	D28380202	4-3	D28382095	11-2
D28285977	1-2	D28350037	4-1	D28380203	4-7		14-5
	1-7	D28350146	4-1	D28380221	11-2	D28382147	4-7
	1-13	D28350257	4-1	D28380229	11-2	D28384047	4-2
D28285981	1-3	D28380001	11-2	D28380231	11-2	D28384049	4-2
	1-8	D28380002	11-2	D28380234	4-7	D28384050	4-2
	1-14	D28380003	1-15	D28380235	4-7	D28384052	6-6
D28285985	1-7		3-13	D28380242	4-7	D28384053	6-6
D28285986	1-7		4-5	D28380244	4-7	D28384054	6-6
	1-8		6-6	D28380254	4-7	D28384055	1-15
D28285991	1-2		10-1	D28380255	4-7	D28385008	4-4
	1-3		10-3	D28380256	4-7	D28385009	4-4
D28285992	1-2		10-5	D28380258	4-7	D28385011	4-3
	1-3		10-6	D28380259	4-7	D28385013	4-4
D28285997	1-7		11-2	D28380260	4-7	D28385016	4-4
D28286006	1-3	D28380005	11-2	D28380261	4-7	D28385017	4-4
	1-8	D28380009	11-2	D28380285	4-5	D28385021	4-5
D28286007	1-7	D28380011	4-5	D28380286	4-5	D28385022	4-5
D28286012	1-2		5-3	D28380291	4-7		11-2
D28286013	1-2		9-3	D28380298	11-2	D28385023	4-5
D28286016	1-8		11-2	D28380300	4-5	D28385024	11-2
D28286017	1-8		17-6	D28380301	11-2	D28385025	11-2
D28286018	1-3		17-7	D28380303	11-2	D28385035	4-7
D28286019	1-3	D28380018	6-6	D28380304	11-2	D28385043	4-7
D28286020	1-3		11-2	D28380312	4-2	D28385044	4-7
D28286021	1-3	D28380020	4-5	D28380313	11-2	D28385047	4-7
D28286046	1-8		6-6	D28380314	4-3	D28385048	4-7
D28286047	1-3		11-2	D28380346	4-7	D28385087	4-1
D28286049	1-3	D28380024	11-2	D28380347	4-7	D28385555	11-2
	1-8	D28380031	11-2	D28380348	4-7	D28385557	11-2
	1-14	D28380039	11-2	D28380356	4-7	D28430010	5-2
D28286050	1-24	D28380040	11-2	D28380359	4-7		6-9
D28286051	1-25	D28380041	11-2	D28380360	4-7		6-11
	1-31	D28380045	4-5	D28380379	4-1		6-12
D28286052	3-1	D28380046	11-2	D28380380	4-4	D28440130	6-3
	3-11	D28380047	4-5	D28380382	4-7	D28450420	5-2
D28286101	1-10	D28380063	11-2	D28380401	4-1		6-9
	1-11	D28380075	4-1	D28380423	4-5		6-12
	1-16	D28380084	4-3	D28380439	4-7	D28450458	6-12
	1-17	D28380085	4-3	D28380440	4-7	D28450536	5-1
D28286105	3-9	D28380089	4-3	D28380449	4-1	D28450637	5-1
	3-14	D28380103	4-5	D28380493	4-1	D28480012	6-12
D28286106	3-9	D28380105	4-4	D28380494	4-3	D28480070	6-12
	3-12	D28380107	4-4	D28380495	4-1	D28480076	6-8
D28286107	3-1	D28380108	4-4	D28380504	4-1	D28480081	6-9
	3-12	D28380109	4-4	D28380519	4-1	D28480090	4-7
D28286108	3-1	D28380110	4-4	D28380526	16-1	D28480091	6-6
	3-10	D28380112	4-4	D28380527	4-6	D28480097	6-8
D28286127	1-10	D28380113	4-4	D28380528	4-6	D28480099	6-8
	1-11	D28380117	4-4	D28380529	4-6	D28480100	6-10
D28286128	1-10	D28380118	4-4	D28380530	4-6	D28480101	6-10
	1-11	D28380119	4-4	D28380535	4-6	D28480105	6-11
D28286129	1-16	D28380131	4-3	D28380538	4-6	D28480114	6-9
	1-17		9-6	D28380576	4-3	D28480127	6-9
D28286141	1-13	D28380132	4-3	D28380583	4-7	D28480129	6-7
	1-14		9-6	D28380584	4-7		6-11
D28286153	1-7	D28380133	4-3	D28380586	4-7	D28480140	6-5
	1-8		9-6	D28380596	4-1	D28480144	6-5
D28286163	1-15	D28380136	16-1	D28380597	4-1	D28480153	6-1
D28286164	1-15	D28380142	4-2	D28380598	4-1		6-3
D28286166	1-3	D28380144	4-2	D28380599	4-1		6-4
	1-8	D28380148	4-4	D28380621	4-1	D28480156	6-4
	1-14	D28380163	4-4	D28380622	4-1	D28480157	6-1

D28480158	6-1	D28480571	6-7	D28482391	6-16	D28550372	7-4
D28480162	6-3	D28480588	5-3	D28482393	6-16	D28560162	6-4
D28480165	6-3		6-6	D28482396	6-16		7-1
D28480171	6-1	D28480605	6-2	D28482397	6-16		7-3
D28480172	6-3	D28480682	5-2	D28482399	6-16		7-4
	13-12	D28480694	6-11	D28482400	6-16		7-5
D28480173	6-1	D28480704	6-1	D28485000	6-3	D28560165	6-4
D28480174	6-3		6-3	D28485104	6-4		7-1
D28480185	6-3		6-4	D28485114	5-1		7-3
D28480203	6-5	D28480706	6-1	D28485130	5-2		7-4
D28480206	6-1	D28480719	6-12	D28485139	5-1		7-5
	6-3	D28480725	6-12	D28485167	6-8	D28580010	7-5
	6-4	D28480734	6-12	D28485188	5-1	D28580027	7-3
D28480211	6-1	D28480735	6-12	D28485195	5-1	D28580048	7-4
D28480217	7-4	D28480739	6-5	D28485200	5-1	D28580052	7-4
D28480218	7-4	D28480740	6-1	D28485205	5-1	D28580057	7-3
D28480219	7-1	D28480741	6-1	D28485206	5-1	D28580060	7-3
D28480235	6-11	D28480744	6-1	D28485207	5-1	D28580097	7-4
D28480245	6-6	D28480745	6-1	D28485208	5-1	D28580118	7-1
D28480252	6-6	D28480749	6-1	D28485217	6-9	D28580137	7-4
D28480258	6-7	D28480750	6-1		6-11	D28580181	16-1
D28480264	6-7	D28480751	6-1	D28485218	6-9	D28580182	7-5
D28480266	6-7	D28480758	6-8		6-11	D28580189	7-5
D28480268	6-7	D28480761	6-9	D28485219	6-9	D28580205	7-2
	6-11	D28480763	6-3		6-11	D28580206	7-2
	6-12	D28480764	6-12	D28485220	6-9	D28580209	7-5
D28480270	6-11	D28480770	6-1		6-11	D28580210	7-5
	6-12	D28480783	6-10	D28485223	6-9	D28580211	7-5
D28480300	5-1	D28480807	6-3		6-11	D28580214	7-5
D28480301	5-1	D28480816	6-12	D28485224	5-2	D28580216	7-5
D28480309	6-8	D28480820	6-12		6-9	D28580219	7-4
D28480310	6-8	D28480822	5-3	D28485225	6-9	D28580221	7-4
D28480316	6-5	D28480825	5-1	D28485226	6-9	D28580222	7-4
D28480317	6-5	D28480828	5-2	D28485227	6-9	D28580230	7-5
D28480321	6-5	D28480830	6-12	D28485234	6-9	D28580232	7-5
D28480324	6-5	D28480831	6-1	D28485242	6-4	D28580243	7-5
D28480325	6-3	D28480832	5-2	D28485244	6-11	D28580245	7-1
D28480338	6-12	D28480833	5-2	D28485248	6-8		7-4
D28480340	6-12	D28480834	6-1	D28485250	6-8	D28580247	7-5
D28480361	6-3	D28480835	5-2	D28485258	6-10	D28580248	7-5
D28480362	6-1	D28480838	5-2		6-11	D28580250	7-1
D28480363	6-1		6-11	D28485259	5-2	D28580251	7-3
D28480366	6-3	D28480860	6-9	D28485263	6-4	D28580258	7-3
D28480384	6-6	D28480862	5-2	D28485264	6-4	D28580295	7-4
D28480411	6-4		6-9	D28485269	5-1	D28580296	7-5
D28480413	6-4	D28480866	6-5	D28485280	5-1	D28580301	7-3
D28480417	6-4	D28480869	6-5	D28485323	6-11	D28580318	7-5
D28480423	6-2	D28480886	6-12	D28485348	5-3	D28580334	7-1
	6-4	D28480887	6-7		6-6	D28580336	7-1
D28480430	6-7		6-11	D28485349	6-3	D28580348	7-4
D28480431	6-10	D28480888	6-7	D28485350	6-5	D28580360	7-5
D28480432	6-10		6-11	D28485353	5-1	D28580401	7-1
D28480447	6-4	D28480895	6-6	D28485363	5-1	D28580403	7-5
D28480450	6-8	D28480897	5-2	D28485364	6-8	D28580404	7-5
D28480451	6-10	D28480909	6-9	D28485365	5-3	D28580406	7-1
D28480457	6-6		6-12	D28485388	5-3	D28580407	7-5
	17-6	D28480911	6-11		6-14	D28580413	7-3
D28480460	6-7	D28480929	6-12	D28485390	6-14	D28580414	7-3
D28480467	6-7	D28480992	6-10	D28485397	6-14	D28580432	7-4
D28480478	6-4	D28482107	6-3	D28485398	6-14	D28580433	7-4
D28480496	6-8	D28482119	6-12	D28485399	5-3	D28580439	7-4
D28480502	6-9	D28482214	6-7	D28485412	6-2		7-5
D28480505	6-9	D28482231	6-8	D28485414	6-2	D28580443	7-4
D28480526	6-7		6-10	D28485419	6-2	D28580444	7-4
D28480528	6-12	D28482274	6-7	D28485446	6-8		7-5
D28480529	6-12	D28482313	6-16	D28485458	5-1	D28580445	7-4
D28480530	6-12	D28482314	6-16	D28485460	5-2	D28580446	9-6
D28480531	6-12	D28482330	6-16	D28485462	5-2	D28580448	6-3
D28480537	6-8	D28482343	6-16	D28485465	5-2		7-1
	6-9	D28482347	6-16	D28485466	5-1		7-4
D28480540	6-8	D28482348	6-16	D28485466	5-1	D28580478	7-1
D28480541	6-8	D28482350	6-8	D28485582	5-1	D28582012	7-1
D28480542	6-10	D28482374	6-16	D28520060	7-4	D28585021	7-1
	6-11	D28482378	6-16	D28530187	16-1	D28585022	7-1
D28480545	6-10	D28482381	6-16	D28550012	7-1	D28585022	7-1
D28480546	6-10	D28482382	6-16	D28550247	7-1	D28585026	7-1
D28480566	6-1	D28482387	6-16	D28550323	7-1	D28585030	7-3
					7-4	D28585033	7-3

NUMERICAL INDEX
INDEX NUMERIQUE
NUMMERN-INDEX
INDICE NUMERICO

D28585035	7-3	D28680120	2-3	D28752355	15-3	D28780365	4-4
D28585036	7-3	D28680130	2-1	D28752392	14-7		15-3
D28585046	7-3		2-3	D28752408	12-3		17-3
D28585053	7-3	D28680131	2-1		12-4	D28780381	1-5
D28585054	7-3		2-3		13-12		1-10
D28585070	7-1	D28680132	2-1	D28760155	1-4		1-11
D28585076	7-2	D28680139	2-1		1-9		1-16
D28585100	7-2	D28680140	2-3		1-15		1-17
D28585102	7-2	D28680151	2-1		10-7		17-3
D28585103	7-2		2-2	D28760156	1-4	D28780402	14-7
D28585104	7-2		2-3		1-9	D28780404	4-5
	7-5	D28680257	2-1		1-15		9-3
D28585105	7-4		2-3	D28760286	13-2	D28780419	6-7
D28585106	7-2	D28680258	2-1	D28760328	10-1	D28780423	14-5
D28585107	7-2		2-3		10-3	D28780425	14-13
	7-3	D28680259	2-1	D28760334	11-2	D28780444	16-35
D28585109	7-2	D28680260	2-1	D28760574	1-4	D28780446	1-6
	7-3	D28680261	2-1		1-9		1-12
D28585112	7-2		2-3		1-15		12-2
D28585113	7-2	D28680262	2-3		10-7	D28780458	14-4
D28585114	5-2	D28680267	2-1	D28760642	10-5	D28780473	9-3
D28585122	7-1		2-2		13-1	D28780475	11-1
D28585124	7-1		2-3		16-17	D28780478	11-1
D28585125	7-1	D28680271	2-1	D28760746	10-6	D28780480	11-1
D28585128	7-1	D28680272	2-1	D28760913	13-3	D28780482	11-1
D28585132	7-1	D28680273	2-1	D28761057	10-1	D28780486	4-5
D28585133	7-1		2-3		10-3		10-6
D28585135	7-2	D28680274	2-1	D28761073	10-6	D28780488	14-6
	7-4		2-3	D28761343	16-1	D28780514	3-10
D28585136	7-5	D28680276	2-1	D28761501	3-3		4-3
D28585138	7-1		2-3		3-13		4-7
D28585139	7-1	D28680277	2-3		15-4		5-1
D28585140	7-1	D28680278	2-1	D28761667	7-1		6-3
D28585142	7-1		2-2		7-4		6-7
D28585144	7-1		2-3	D28761862	10-1		7-3
D28585175	7-1	D28680279	2-1	D28761977	2-2		9-3
D28585180	7-4	D28680280	2-1		2-3		10-6
D28585181	7-2	D28680281	2-1	D28770293	10-4		12-3
	7-4		2-3	D28770432	10-1		12-4
D28585184	7-3	D28680282	2-3	D28780001	10-5		17-3
D28585185	7-3	D28685007	2-1	D28780002	10-5	D28780516	3-10
D28585295	7-1	D28685015	2-4	D28780007	3-13		4-3
D28585296	7-1	D28685023	2-3		4-5		4-7
D28585300	7-1		2-4		4-7		5-1
D28585329	7-1	D28685024	2-2		10-5		6-3
D28585331	7-1		2-4		10-6		6-7
D28585339	7-2	D28685027	2-4	D28780008	3-13		7-3
D28585340	7-2	D28700136	1-27		4-5		9-3
D28585343	7-4	D28710073	10-6		10-5		10-6
D28585344	7-1	D28710333	11-2		10-6		12-3
D28600299	4-4	D28710736	10-6	D28780030	3-13		12-4
D28650018	1-22	D28710853	1-16		4-5		17-3
	1-23		1-17		5-3	D28780522	1-1
	2-2		2-4		17-6		5-1
D28650023	2-2	D28711881	14-15		17-7		6-3
D28650101	1-22	D28730018	10-6	D28780058	10-5		7-3
	1-23	D28730779	13-5	D28780061	10-6	D28780523	1-6
	2-2	D28750214	9-2	D28780094	10-3		1-12
D28660005	2-3	D28750783	9-2	D28780096	10-3		3-15
D28660035	2-1		14-16	D28780113	10-7		3-16
D28660051	2-1	D28750784	3-15	D28780114	10-3		12-2
	2-3		3-16	D28780147	10-9		13-1
D28660143	2-3		14-16	D28780195	10-5	D28780531	9-5
	9-2	D28750882	6-6	D28780224	10-6	D28780586	10-7
D28680013	2-2		11-2	D28780247	10-6	D28780603	10-5
D28680024	2-4		12-2	D28780250	10-6	D28780611	4-7
D28680025	2-4	D28750922	2-2	D28780306	16-4		6-3
D28680026	2-1	D28751140	2-4	D28780316	14-15	D28780615	10-6
	2-3	D28751218	2-2	D28780318	9-3	D28780617	4-5
D28680046	2-2	D28751223	2-2	D28780319	12-3		10-6
D28680054	2-3	D28751238	12-5		14-11	D28780630	7-1
D28680055	2-2	D28751580	10-6	D28780324	14-3	D28780653	14-12
D28680087	2-2	D28751867	4-5		14-13	D28780654	14-12
D28680097	2-3	D28752130	1-9	D28780326	6-5	D28780655	14-11
D28680107	2-1		1-15	D28780339	16-3	D28780657	14-12
D28680117	2-1		10-7	D28780351	16-2	D28780662	14-11
	2-3	D28752224	15-4			D28780663	14-5

D28780668	14-7	D28781111	10-4	D28781930	16-26	D28782724	16-20
D28780669	14-7	D28781123	10-5	D28781981	13-12	D28782725	16-28
D28780671	14-10	D28781145	10-3	D28782092	10-7	D28782726	16-28
D28780679	14-13	D28781146	10-3	D28782105	10-7	D28782735	5-3
D28780680	14-13	D28781155	10-3	D28782149	7-3	D28782738	6-2
D28780689	16-1	D28781157	10-3	D28782150	13-4	D28782757	10-6
D28780694	4-2	D28781170	10-4	D28782151	13-7	D28782758	10-6
	6-1	D28781196	7-3	D28782153	1-27	D28782797	7-1
D28780695	14-11	D28781198	10-3	D28782156	13-9	D28782912	10-6
D28780700	14-5	D28781219	14-6	D28782160	13-3	D28782915	3-9
D28780709	16-35	D28781220	14-6	D28782163	13-7	D28782928	16-32
D28780711	14-11	D28781255	12-3	D28782164	10-7	D28782930	10-2
D28780712	14-11		12-4	D28782165	16-3	D28782931	16-12
D28780720	14-6		14-11	D28782166	16-3	D28782945	8-34
D28780724	9-3	D28781296	10-4	D28782167	16-3	D28782946	15-1
D28780748	9-5	D28781297	10-4	D28782168	16-3	D28783559	14-8
D28780749	4-3	D28781298	16-2	D28782169	16-3	D28783912	10-6
D28780772	2-2	D28781308	11-2	D28782170	16-3	D28784065	10-1
	4-3		14-5	D28782171	13-2	D28784082	10-1
	11-2	D28781312	10-5		13-9	D28784171	10-4
	13-12	D28781347	16-2	D28782172	13-2	D28784172	10-4
D28780773	6-10	D28781357	13-5	D28782175	10-6	D28784180	10-1
D28780774	6-10	D28781358	13-5	D28782176	10-5	D28784196	10-1
D28780776	3-13	D28781359	13-5		13-9	D28784198	10-1
	4-5	D28781363	16-17	D28782178	1-5	D28784231	10-3
	10-5	D28781364	13-12		10-4	D28784240	10-1
D28780777	3-13		15-1		10-7	D28784251	10-1
	4-5		15-2		13-12	D28784252	10-4
	10-5	D28781400	13-5	D28782215	16-34	D28784253	10-4
D28780779	10-7	D28781478	16-25	D28782256	10-7	D28784378	6-1
D28780783	10-7	D28781534	10-3	D28782258	10-7	D28784451	16-2
D28780786	10-7	D28781548	10-1	D28782277	10-1	D28784452	16-2
D28780801	7-3	D28781549	10-1	D28782308	14-10	D28784525	10-6
D28780802	7-3	D28781550	10-1	D28782310	10-5		10-10
D28780803	3-15	D28781578	13-5	D28782337	13-8	D28785025	10-6
	3-16	D28781582	10-10	D28782347	10-7	D28785043	10-4
	4-3	D28781584	16-9	D28782349	10-7	D28785046	10-6
	4-5	D28781591	16-31	D28782365	14-12	D28785053	10-6
	11-1	D28781618	16-10	D28782367	14-12	D28785072	9-3
D28780805	10-6	D28781638	16-34	D28782369	16-23	D28785073	14-11
D28780809	11-1		16-35	D28782381	16-31	D28785109	10-6
D28780810	11-1	D28781657	16-32	D28782403	6-9	D28785115	10-6
D28780813	11-1	D28781658	16-32	D28782408	16-14	D28785166	10-4
D28780830	4-5	D28781669	16-35	D28782422	16-9	D28785167	10-4
D28780831	6-7	D28781675	14-10	D28782436	14-12	D28785178	10-9
D28780843	10-6	D28781682	16-26	D28782472	16-23	D28785210	10-4
D28780845	1-1	D28781695	10-3	D28782504	7-3	D28785226	10-6
	12-2	D28781716	10-3	D28782527	10-5	D28785230	10-6
D28780853	7-4	D28781721	10-1	D28782528	11-2	D28785238	10-6
D28780881	10-6		10-3	D28782538	16-11	D28785239	10-6
D28780900	10-5	D28781726	7-1	D28782539	16-10	D28785270	10-9
D28780947	10-5	D28781727	16-34	D28782541	16-6	D28785342	11-1
	10-6		16-35	D28782542	16-6	D28785344	11-1
D28780948	13-3	D28781728	15-2	D28782545	16-33	D28785346	11-1
D28780954	10-3		15-4	D28782553	11-2	D28785348	11-1
D28780959	7-3	D28781729	16-22		14-5	D28785361	14-7
	11-2	D28781735	15-4	D28782563	16-21	D28785370	10-6
D28780960	14-5	D28781736	16-29	D28782567	16-2	D28785384	9-5
D28780964	16-21	D28781761	10-3	D28782568	16-2	D28785411	9-5
D28780966	10-3	D28781762	10-3	D28782570	16-2	D28785434	14-11
D28780967	11-2	D28781763	10-3	D28782572	16-2	D28785463	14-12
D28780971	11-2	D28781769	16-2	D28782573	16-2	D28785464	14-12
D28780984	10-3	D28781818	10-5	D28782574	16-2	D28785467	13-1
D28780988	12-3		14-10	D28782575	16-2	D28785495	10-1
	12-4	D28781819	10-5	D28782577	16-2	D28785504	13-4
	14-4		14-10	D28782585	9-1	D28785519	10-6
	14-6	D28781871	16-1	D28782595	16-2	D28785520	10-10
D28780991	14-4	D28781896	6-4	D28782701	16-8	D28785530	10-10
D28780993	14-7		16-18	D28782702	16-20	D28785533	10-10
D28780994	14-7	D28781900	16-19	D28782703	16-7	D28785535	10-10
D28780995	14-7	D28781903	1-30	D28782704	16-7	D28785572	10-7
D28781010	10-3		6-5	D28782705	16-19	D28785576	10-10
D28781016	2-2		6-10	D28782706	16-26	D28785578	16-14
D28781018	16-22	D28781928	10-4	D28782712	6-2	D28785583	14-4
D28781020	2-2	D28781929	6-4	D28782719	13-5	D28785584	14-7
D28781043	10-3		12-5	D28782720	16-2	D28785585	14-3
D28781045	10-3		16-18	D28782721	16-2		14-4

NUMERICAL INDEX
INDEX NUMERIQUE
NUMMERN-INDEX
INDICE NUMERICO

D28785586	14-3	D28786567	10-4	D28787478	10-4	D28880305	9-4
	14-4	D28786568	10-6	D28787482	16-27	D28880309	9-4
D28785587	14-3	D28786574	16-29	D28787483	16-27	D28880323	9-1
D28785588	14-3	D28786592	10-4	D28787490	10-1	D28880330	9-2
D28785593	14-3	D28786603	16-30	D28787491	10-2	D28880338	9-6
	14-4	D28786605	9-5	D28787497	8-34	D28880354	5-3
D28785594	14-7	D28786635	10-1	D28787498	8-3		7-2
D28785599	14-7	D28786659	3-13	D28787501	10-6		9-3
D28785601	10-10		4-5	D28787996	11-1		17-7
D28785606	10-4	D28786662	10-6	D28787998	10-5	D28880359	9-3
D28785621	14-3	D28786671	10-6	D28788308	10-8	D28880360	9-3
	14-4	D28786717	14-8	D28788309	10-8	D28880361	9-3
D28785622	14-3	D28786766	10-1	D28788311	10-8	D28880377	9-6
	14-4	D28786783	10-5	D28788331	16-12	D28880382	9-1
D28785635	11-1	D28786794	10-6	D28788343	10-4	D28880395	9-1
D28785651	14-8	D28786813	10-1	D28788350	10-8	D28880469	17-6
	14-10		11-4	D28788453	10-2		17-7
D28785679	7-1	D28786818	10-5	D28788454	10-2	D28880471	17-6
D28785681	7-3	D28786827	10-9	D28788456	10-9		17-7
D28785685	12-3	D28786834	10-1	D28788467	10-6	D28880473	9-3
	12-4	D28786836	16-31	D28788493	10-7	D28880489	9-3
D28785689	12-3	D28786838	10-1	D28788499	10-7		17-6
	12-4	D28786865	10-7	D28788532	10-3		17-7
D28785719	3-13	D28786869	10-4	D28788534	10-9	D28880495	5-3
D28785732	10-10	D28786870	10-4	D28788536	10-1		9-3
D28785815	10-1	D28786877	16-2	D28788537	10-3		17-6
	10-3	D28786878	10-1	D28788542	10-6		17-7
D28785854	11-1	D28786880	10-9	D28788591	10-6	D28880499	9-2
D28785855	11-1	D28786881	10-4	D28788720	10-2	D28880505	17-6
D28785864	16-12		10-6	D28789379	16-34		17-7
D28785876	14-4	D28787003	3-13		16-35	D28880650	9-2
D28785877	14-3		4-5	D28789530	16-24	D28882045	13-5
D28785878	14-4	D28787005	10-6	D28789531	16-24	D28882101	9-3
D28785883	16-2	D28787041	9-5	D28800328	9-1	D28884116	4-2
D28785885	16-2	D28787055	16-2	D28800460	13-3		9-4
D28785895	14-7	D28787068	13-1	D28830693	9-1	D28884125	17-7
D28785896	14-7	D28787070	13-1	D28850316	6-6	D28884133	17-7
D28785897	14-7	D28787072	10-5	D28850839	9-1	D28884141	17-6
D28785898	14-7		14-10	D28850877	9-2		17-7
D28785899	14-7	D28787077	10-5	D28850886	7-3	D28884216	17-9
D28785900	14-7	D28787079	10-5	D28850906	4-5	D28884217	17-9
D28785901	16-2	D28787124	16-15	D28851025	9-2	D28884219	17-9
D28785903	16-2	D28787129	10-2	D28851026	9-2	D28884221	17-9
D28785908	16-2	D28787131	10-2	D28851036	17-6	D28884223	17-9
D28785910	16-2	D28787132	10-2		17-7	D28884225	17-9
D28785911	16-2	D28787143	10-6	D28851037	9-3	D28884231	17-9
D28785912	16-30	D28787145	10-2	D28851230	9-6	D28884235	17-9
D28785916	6-4	D28787226	16-15	D28851231	9-6	D28885042	5-3
D28785917	12-5	D28787247	10-5	D28860313	3-4		9-3
D28785918	16-2	D28787259	16-16	D28880024	9-2	D28885043	9-3
D28785921	16-2	D28787260	10-9	D28880032	9-1	D28885046	9-3
D28785946	6-4	D28787261	10-6	D28880045	9-1	D28885047	9-3
D28785947	12-5	D28787262	10-6	D28880051	9-1	D28885048	9-3
D28785949	10-4	D28787268	10-2	D28880052	9-1	D28885049	9-3
	16-17	D28787269	10-2	D28880053	9-1	D28885052	10-5
D28785952	10-3	D28787270	10-4	D28880073	9-1	D28885060	9-3
D28786063	16-14	D28787271	10-2	D28880083	9-1	D28885065	9-3
D28786092	10-3	D28787272	10-2	D28880098	17-3	D28885066	9-3
D28786118	10-1	D28787273	10-2	D28880194	9-3	D28885067	9-3
D28786209	10-3	D28787275	10-1	D28880196	3-13	D28885162	9-3
D28786212	10-1	D28787301	10-2	D28880220	9-6	D28885163	9-3
D28786225	9-3	D28787302	10-3	D28880230	9-1	D28885240	9-6
D28786226	10-1	D28787303	10-3	D28880234	9-6	D28885249	9-2
D28786227	10-3	D28787304	10-3	D28880241	9-6	D28885250	9-2
D28786228	10-1	D28787316	10-1	D28880249	17-6	D28885251	9-2
D28786449	10-5	D28787318	10-1		17-7	D28885252	9-2
D28786464	10-4	D28787320	10-4	D28880254	17-6	D28885253	9-2
D28786485	10-5	D28787321	10-4		17-7	D28885297	9-4
D28786491	10-4	D28787328	10-3	D28880261	17-6	D28885332	9-5
D28786516	10-9	D28787378	9-1		17-7	D28885333	9-5
D28786520	10-6	D28787403	10-5	D28880263	17-6	D28885430	9-5
D28786522	10-3	D28787414	16-2		17-7	D28885434	9-5
	15-1	D28787415	16-2	D28880283	9-2	D28885444	9-3
	15-2	D28787423	9-5	D28880287	9-4	D28885520	9-7
D28786523	10-1	D28787451	16-2	D28880293	9-4	D28885551	9-6
D28786564	14-10	D28787452	16-2	D28880301	13-1	D28885555	9-6
D28786565	14-10	D28787471	10-6	D28880302	9-4	D28885556	9-6

D28885576	9-3	D28980571	13-1	D28981268	13-12	D28981687	13-1
D28885577	9-3	D28980576	13-1	D28981272	13-12		13-12
D28885578	9-3	D28980635	4-2	D28981289	13-12	D28981705	13-9
D28885579	9-3	D28980664	13-8	D28981299	13-12	D28981708	13-9
D28885616	9-6	D28980665	13-8	D28981309	13-12	D28981712	13-1
D28885624	9-7	D28980684	13-3	D28981311	13-12	D28981714	13-1
D28885632	9-3	D28980690	13-6	D28981318	13-12		13-3
D28885633	9-3	D28980693	13-6	D28981327	13-1		13-7
D28885634	9-3	D28980713	13-2	D28981328	13-8	D28981715	13-1
D28885635	9-3	D28980748	13-8	D28981330	13-8	D28981717	13-2
D28885637	7-3	D28980752	13-2	D28981331	13-8	D28981720	13-2
D28885638	7-3	D28980757	13-2	D28981332	13-8	D28981724	13-5
D28885678	9-5	D28980758	13-2	D28981357	13-8	D28981729	13-12
D28885687	9-7	D28980764	13-8	D28981358	13-1	D28981730	13-12
D28885689	9-7	D28980771	13-8	D28981360	13-8	D28981733	13-1
D28885691	9-7	D28980772	13-8	D28981367	13-1	D28981743	13-12
D28885692	9-7	D28980775	13-8		13-2	D28981745	13-1
D28885695	9-7	D28980788	13-5	D28981368	13-1	D28981746	13-1
D28885698	9-4	D28980789	13-5		13-2	D28981747	13-3
D28885701	9-5	D28980790	13-5	D28981388	13-1	D28981758	13-12
D28885702	9-5	D28980793	13-5	D28981398	13-12	D28981790	13-6
D28885704	9-4	D28980805	13-5	D28981399	13-12	D28981791	13-6
D28885706	9-4	D28980806	13-3	D28981408	13-12	D28981793	13-5
D28885720	9-7	D28980809	13-5	D28981410	13-12	D28981797	13-5
D28885721	9-4	D28980839	13-8	D28981412	13-12	D28981798	13-9
D28885722	9-5	D28980849	13-8	D28981437	13-12	D28981799	13-9
D28885727	9-7	D28980853	13-1	D28981448	13-9	D28981801	13-2
D28885798	9-7	D28980855	13-8	D28981465	13-2		13-9
D28885803	9-4	D28980863	13-9	D28981468	13-2	D28981805	13-9
	9-5	D28980890	13-2		13-9	D28981807	13-9
D28885807	9-7	D28980891	13-2	D28981469	13-2	D28981808	13-9
D28885812	9-7	D28980892	13-2		13-9	D28981812	13-9
D28885814	9-7	D28980916	13-7	D28981482	13-9	D28981815	13-4
D28885817	9-4	D28980923	13-8	D28981494	13-9	D28981816	13-5
D28885820	9-7	D28980926	13-1	D28981495	13-9	D28981817	13-2
D28885831	9-4	D28980928	13-8	D28981496	13-2	D28981820	13-1
	9-5	D28980944	13-3	D28981507	13-8	D28981821	13-1
D28885832	9-7	D28980945	13-3	D28981508	13-8	D28981822	16-34
D28885851	9-7	D28980947	13-3	D28981509	13-8	D28981849	13-9
D28885852	9-4		13-6	D28981510	13-8	D28981857	13-1
	9-5	D28980948	13-3	D28981511	13-8		13-2
D28885853	9-4		13-6	D28981520	13-1	D28981858	13-5
	9-5	D28980953	13-1	D28981521	13-1	D28981998	13-8
D28885856	9-4	D28980967	13-9	D28981523	13-1	D28982000	13-5
	9-5	D28980970	13-9	D28981524	13-1	D28982069	13-6
D28885859	9-5	D28980976	13-8	D28981528	13-8	D28982070	13-6
D28885861	9-2	D28980977	13-8	D28981535	13-8	D28982144	13-12
D28886771	9-1	D28980980	13-12	D28981536	13-8	D28982145	13-12
D28886772	9-2	D28980984	13-1	D28981541	13-1	D28982430	13-12
D28980100	13-2	D28980986	13-12	D28981543	13-1	D28984035	13-4
D28980118	13-12	D28980987	13-1	D28981544	13-1	D28984036	13-4
D28980144	13-5	D28980991	13-9	D28981552	13-1	D28985175	13-8
D28980222	13-1	D28980995	13-12	D28981553	13-1	D28985184	13-9
D28980322	13-7	D28980999	7-3	D28981554	13-1	D28985245	13-8
D28980436	13-8	D28981001	7-3	D28981563	13-1	D28985459	13-13
D28980456	13-1	D28981003	7-3	D28981564	13-1	D28985571	9-4
D28980461	13-7	D28981042	13-8	D28981570	13-5	D28985579	13-6
D28980463	13-7	D28981051	13-2	D28981575	13-8	D28985582	13-6
D28980464	13-7	D28981083	13-5	D28981578	13-9	D28985586	9-4
D28980466	13-7	D28981086	7-3	D28981584	13-3	D28985611	13-4
D28980468	13-1	D28981106	13-2	D28981587	13-9	D28985768	13-3
D28980470	13-7	D28981112	13-9	D28981592	13-7	D28985953	13-3
D28980477	13-7	D28981118	13-2	D28981607	13-12	D28986123	13-4
D28980478	13-7	D28981124	13-9	D28981613	13-12	D28986130	13-4
D28980483	13-8	D28981143	13-8	D28981614	13-12	D28986132	13-4
D28980485	13-7	D28981145	13-9	D28981615	13-12	D28986136	13-4
D28980486	13-7	D28981186	13-7	D28981616	13-12	D28986138	13-4
D28980487	13-7	D28981203	13-3	D28981617	13-12	D28986139	13-4
D28980489	13-7	D28981223	13-1	D28981619	13-12	D28986140	13-4
D28980501	13-8	D28981236	13-1	D28981622	13-12	D28986142	13-4
D28980509	13-1	D28981257	13-12	D28981625	13-12	D28986143	13-4
D28980512	13-1	D28981258	13-12	D28981627	13-12	D28986144	13-4
D28980553	13-8	D28981259	13-12	D28981628	13-12	D28986146	13-4
D28980554	13-8	D28981261	13-12	D28981669	13-3	D28986147	13-4
D28980555	13-8	D28981262	13-12	D28981670	13-3	D28986149	13-4
D28980561	13-7	D28981263	13-12	D28981671	13-5	D28986151	13-4
D28980562	13-7	D28981265	13-12			D28986170	13-8

**NUMERICAL INDEX
INDEX NUMERIQUE
NUMMERN-INDEX
INDICE NUMERICO**

D28986719	13-5	D40411600	6-3	D40466800	11-1	D40697900	1-4
D28989012	13-1	D40412700	6-13	D40466900	7-2		1-9
	13-3		6-14		7-4		4-5
D40064000	1-18	D40413200	3-4	D40468050	3-9	D40698400	1-1
	1-19		3-14	D40468100	12-7		1-6
	1-21	D40414000	12-5	D40476100	1-16		1-12
D40064300	7-1		12-6		1-17	D40740000	13-8
D40066700	3-9	D40418500	10-5		3-11	D40740100	13-8
D40067600	1-1	D40418800	1-27		13-12		16-2
	1-6	D40422300	1-31	D40551500	1-1	D40740200	13-8
	1-12	D40422400	1-31		1-6	D40740400	2-2
	13-12	D40422700	12-5		1-12		11-2
D40070100	3-5	D40423600	1-27	D40600900	3-5	D40740500	13-9
D40070200	1-24	D40424300	13-12		3-12	D40741100	10-10
	1-25	D40425000	4-3	D40601800	13-7		13-5
D40070900	1-24	D40425100	10-5	D40601900	13-7	D40741200	7-3
	1-25	D40425900	4-1	D40603100	13-12		13-2
D40072200	13-8		4-5	D40605600	3-4		13-8
D40073100	1-4	D40426300	12-7		3-14		17-3
	1-9	D40426500	5-2	D40606100	4-7	D40743000	13-5
	1-15		6-9	D40607100	11-2	D40743100	11-1
D40200650	3-6		6-11	D40609000	9-3	D40749100	10-5
	3-7	D40429200	3-1	D40609300	1-4		13-1
D40200750	3-6	D40429600	6-9		1-9		13-2
	3-7	D40430300	7-4		1-15		13-9
D40202850	3-6	D40431500	13-1	D40630100	13-1	D40784000	13-12
	3-7	D40431900	12-2	D40630900	13-5	D41010400	1-30
D40211200	1-25	D40433200	3-1	D40632000	2-1		4-4
D40316400	11-2	D40433700	3-10		3-1		13-9
	17-3	D40433800	1-15		3-10		13-12
D40351200	13-5	D40435100	1-27		7-3	D41010500	1-30
D40351400	13-12		3-6		10-3		6-10
D40351600	1-30		3-7	D40633000	1-13		13-5
D40385500	1-24		3-15	D40633300	1-8		13-13
D40400900	13-3		3-16	D40639600	1-1	D41010600	1-6
	13-8		3-17		1-6		1-12
D40402400	1-27	D40435600	1-27		1-12		1-31
	13-6	D40437200	12-1	D40685000	3-12		3-15
D40404700	3-4		12-2		3-16		3-16
D40404900	3-4		12-4		3-17		6-10
D40405000	1-24	D40437300	12-1		3-18		7-3
	1-27		12-8	D40688000	1-31		12-2
	8-34	D40437501	1-28		7-1		13-1
	13-6		1-29		13-1		13-3
D40405100	1-27	D40437700	13-1	D40688200	6-10	D41010700	9-1
	3-2	D40437800	1-28		13-6	D41010800	1-29
	9-1		1-29	D40688800	13-13		3-9
	13-6		12-1	D40689500	13-8		5-1
D40405300	1-1	D40438600	17-1	D40690000	4-4	D41010900	3-4
	1-5		17-2	D40690400	3-4		3-5
	1-6		17-3		6-5	D41012000	12-3
	3-15	D40438800	13-8		6-6		12-4
	3-16	D40438900	6-9		10-5	D41012100	1-24
	3-17		6-12	D40692300	11-2		3-1
D40407000	7-1	D40439600	6-7	D40692400	3-10		3-11
	7-4	D40439900	9-2	D40692500	10-5		4-3
D40407200	4-5	D40445900	6-5	D40693100	1-18		4-7
	6-6	D40446500	3-19		1-20	D41013000	1-27
D40407700	1-29	D40449900	12-2	D40693300	17-9	D41014400	5-2
D40407900	3-1	D40458300	3-9	D40693800	4-3	D41017500	1-1
	3-4		3-19		10-5		1-2
D40408100	1-24	D40464200	4-5	D40694000	1-1		13-8
D40408400	2-2	D40464300	4-5		1-6	D41021500	1-27
D40409400	1-13	D40464600	9-3		1-12	D41021800	12-6
	1-14	D40464900	1-1	D40694100	3-1	D41028300	10-1
	6-5		1-6		3-10	D41029700	3-4
D40410700	4-5		1-12	D40696700	12-8	D41034100	9-1
D40410900	1-27	D40465100	1-6	D40697100	7-2	D41034400	9-1
	3-6		1-12		7-3	D41035100	10-4
	3-7	D40465400	1-1	D40697200	1-1	D41042700	2-4
D40411000	1-28	D40466200	1-15		1-6	D41042800	13-13
	1-29		1-18		1-12	D41048200	12-6
D40411100	1-27		1-20	D40697400	1-19	D41048700	1-27
D40411400	4-3	D40466500	7-5		1-21	D41048800	12-6
	6-3	D40466700	1-15	D40697700	1-1	D41049100	3-5
	6-11		7-2		1-6	D41049500	1-26
	9-2		7-5		1-12		

D41054100	1-3 1-8 1-14	D41102100	1-1 1-6 1-12 1-16	D41652800	11-1	D41711000	4-5
D41054300	1-1 1-6 1-12 12-6 12-7		1-17 3-4 3-5 4-5	D41653500	1-3 1-8 1-14		4-7 11-1 11-2
D41054900	11-1 12-5		6-13 6-14	D41654800	11-2	D41712300	1-18
D41057300	9-1 9-2		9-1 10-5	D41654900	11-2	D41713200	1-20
D41087200	1-4 1-9 1-15		17-1 17-5	D41658000	12-6	D41713600	4-3
D41087400	3-5	D41111200	1-27	D41659000	12-6	D41713601	10-1
D41087500	1-24 3-2 3-4 8-34	D41112300	1-24	D41661100	1-27	D41713602	10-1
D41087600	1-24	D41112400	1-3 1-8 1-14	D41662700	12-6	D41713603	10-1
D41087700	1-24 1-27 3-4	D41112500	6-7 6-12	D41663000	1-26	D41713700	10-7
D41087800	1-15		10-6	D41663100	12-6	D41714700	9-6
D41087900	13-1 1-27 1-28 1-29 3-6 3-7	D41112600	6-8 6-10	D41663400	1-9 1-15	D41715000	4-3
D41088100	1-27 1-28 1-29	D41112900	6-8 6-10		9-1		12-1
D41092500	4-5 6-6 6-7 6-9 6-12 10-5 17-1 17-2 17-3	D41306100	1-1 1-6 1-12	D41668400	1-1 1-6 1-12	D41715600	1-18 1-19 1-20 1-21
D41098000	9-1	D41306200	1-1 1-6 1-12	D41669700	1-1 1-6 1-12	D41715800	1-18 1-20
D41100094	12-2	D41314900	1-31	D41669800	1-1 1-6 1-12	D41716000	6-3
D41100300	13-9	D41397300	5-1	D41679500	6-7	D41716300	1-18
D41100900	1-1 1-6 1-12 1-24 3-6 3-7 3-9 4-5 10-5 17-1 17-2 17-3	D41397400	13-1	D41679900	7-3	D41716400	1-20 3-15 3-16 3-17
D41101200	17-1 17-5	D41397900	3-4 3-14	D41701600	17-1 17-2		4-3
D41101900	1-10 1-11 1-16 1-17 2-2 3-1 3-9 4-3 12-7 13-3 13-12 17-1 17-3	D41399800	7-1	D41701700	1-15 3-15 3-16 3-17 3-19	D41716500	1-3 1-8 1-14
		D41404200	10-1 10-3	D41701800	17-1 17-2	D41716800	1-4
		D41405800	3-6 3-7	D41701900	17-1 17-2 17-3	D41717100	1-9 10-3
		D41406200	12-7	D41703000	17-1 17-2 17-3	D41717101	10-1
		D41408800	1-27	D41705600	9-6	D41717300	4-5
		D41410700	3-3	D41705700	4-5 4-7 9-6	D41717400	4-5
		D41410800	1-27 3-6 3-7 3-5		4-7 9-6	D41717600	11-1
		D41411100	12-6		11-1 11-2	D41717800	11-1
		D41415200	1-10 1-11 1-16 1-17 1-27	D41706200	6-3	D41717900	7-2 7-4
		D41446200	1-10 1-11 1-16 1-17 1-27	D41707800	1-2 1-4 1-7 1-9 1-13 1-15	D41900200	11-4
		D41486000	4-2		2-2 2-3 3-9	D41904200	10-5 11-3
		D41597100	1-27		3-15 3-16 3-17 3-19	D41921500	6-14
		D41615000	6-7		5-1 5-1 7-1 7-4 7-3 7-4 7-1 7-4	D41921700	11-3
		D41616400	11-2		7-1 7-4 7-1 7-2 7-2	D41921801	5-3
		D41617700	4-5		7-1 7-4 7-1 7-2 7-2	D41929000	7-2 11-1 11-4
		D41618100	10-6		7-1 7-4 7-1 7-2 7-2	D41933700	11-3
		D41622200	5-1		7-1 7-4 7-1 7-2 7-2	D41933900	6-6 6-7
		D41622700	1-15	D41708600	7-1 7-4		11-3
		D41623000	17-6	D41708700	7-1 7-3 7-4	D41939300	10-7
		D41623100	3-5		7-1 7-3 7-4		11-4
		D41623300	3-1		7-1 7-4 7-1 7-2 7-2	D41975300	5-3
		D41624100	7-3		7-1 7-4 7-1 7-2 7-2	D41977900	11-3
		D41628800	6-5		7-1 7-4 7-1 7-2 7-2		17-6 17-7
		D41629000	3-4	D41708800	7-1 7-4	D41978100	10-6
		D41629600	10-6	D41709600	1-22 1-23		11-3
		D41641800	5-1		6-3 7-2 6-3	D41978400	11-3
		D41647600	16-1		6-3 7-2 6-3	D41978800	9-3
		D41648000	11-2	D41710100	6-3	D41979600	11-1
		D41648300	13-12				11-3
		D41649500	17-9				17-7
		D41652600	4-5				3-11 3-13 4-5 11-3

**NUMERICAL INDEX
INDEX NUMERIQUE
NUMMERN-INDEX
INDICE NUMERICO**

D41980500	11-2 11-4	D42350300	7-1 7-4	D42596500 D42596800	6-7 11-2	D43105550 D43105850	1-15 3-9
D41981100	6-3 6-5	D42350400 D42350600	7-4 3-12	D42596900	3-1	D43106200 D43106400	6-3 11-1
D41981200	11-4 6-5	D42350700 D42350800	3-12 3-12	D42598800 D42598900	7-5 7-5	D43106800	1-3 1-8
D41981400	11-2 11-4	D42350900	7-1 3-12	D42599000 D42599200	12-6 17-9	D43107500	3-10 4-7
D41982000	6-3 6-5	D42351200 D42351300	7-1 7-4	D42604600 D42608700	13-13 7-3	D43107900	9-3 3-1
D41982300	11-4 11-2	D42351400 D42354900	7-4 3-12	D42609300 D42611900	10-3 1-1		3-10 3-11
D41985600	11-4 1-1	D42362400	7-2 7-3	D42612000 D42612200	1-6 1-27	D43110600	4-3 4-5
D41986300	1-4 11-3	D42363100	1-18 1-20	D42614300 D42618900	1-4 1-9		10-6 11-2
D41990001	1-4 11-3	D42363200	2-2 7-3	D42619000 D42619100	1-15 1-9	D43114900	1-4 1-9
D41990007	1-6 1-9	D42363500	7-2 7-3	D42621900	2-1	D43154900 D43155200	4-7 1-15
D41990019	1-12 1-15	D42364200 D42365100	2-2 7-3	D42625300 D42625400	1-29 1-15	D43159000 D43160200	4-5 4-3
D41990027	11-3 4-5	D42365500	1-18 1-20	D42625600 D42650400	1-4 1-9	D43162000	4-3 3-1
D41990045	11-3 4-7	D42365900 D42366000	7-2 3-19	D42621900	10-5	D43170300 D43171400	3-10 7-3
D41990049	11-2 11-4	D42367100 D42367700	1-3 1-15	D42625300 D42625400	1-2 9-1	D43172050	13-13 3-6
D41990059	11-3 17-7	D42367800	1-8 1-9	D42625600 D42650400	7-3 9-1	D43319200 D43319300	3-7 16-2
D41990064	10-3 11-4	D42386000	1-14 3-19	D42625600 D42662500	9-1 1-1	D43319300 D43338200	13-3 2-3
D42325100	11-4 7-2	D42388100 D42500700	3-19 11-12	D42662500 D42694100	1-6 13-1	D43338200 D43338400	12-6 12-6
D42325700	11-4 2-2	D42501300	13-5 13-13	D42694100 D42694900	1-12 17-9	D43338500 D43360800	12-2 1-31
D42326200	11-4 7-2	D42501400	10-1 10-3	D43000300 D43001500	12-6 1-27	D43364000 D43364300	9-3 17-7
D42328100	7-3 11-4	D42501600 D42502800	14-8 3-4	D43001500 D43001600	10-6 3-1	D43364800	17-7 3-13
D42328600	11-4 11-4	D42504300 D42505500	3-1 4-5	D43001700 D43002600	11-1 12-7	D43367400	4-5 10-5
D42328900	11-3 1-8	D42505800 D42506300	9-3 6-7	D43002600 D43002700	3-15 3-10	D43383800 D43383900	11-2 13-5
D42329200	1-9 1-14	D42510600 D42512900	11-2 13-5	D43002700 D43008100	3-10 13-12	D43383900 D43384000	13-12 10-3
D42329300	11-3 1-3	D42513700 D42514800	13-13 1-15	D43008100 D43009200	9-2 3-10	D43385100 D43385200	17-3 13-8
D42332800	1-4 11-3	D42515100	6-6 7-3	D43009200 D43009500	3-15 3-10		1-19 1-21
D42333300	1-8 1-14	D42515400 D42516400	3-5 11-2	D43009500 D43009600	10-6 3-1	D43364800	3-13 4-5
D42333700	1-18 1-20	D42516700 D42517200	4-5 6-7	D43009600 D43009900	11-1 11-1	D43367400	10-5 11-2
D42334600	11-3 11-4	D42547500 D42555500	13-13 1-10	D43009900 D43100900	11-1 11-1	D43383800 D43383900	13-5 13-12
D42339300	3-19 11-3	D42595900 D42596300	4-5 9-3	D43102300 D43102400	12-7 3-15	D43384000	17-3 17-3
				D43103100 D43103200	4-3 4-5	D43385100 D43385200	13-8 1-19
				D43103400 D43103400	3-1 1-31	D43386000	1-27 3-9
				D43103700 D43104900	3-15 3-16	D43386900	3-15 3-16
					4-3 4-5		3-17 7-4
					6-7 11-1		13-12 9-4
					3-10 3-15	D43385300 D43386000	9-4 17-1
					3-16 6-7		17-2 17-3
					11-1 11-1		3-4 3-8
					10-1 10-7		3-13 3-18
					6-14 7-4		10-8 13-8
					7-1 2-2	D43387500	15-1 15-2
					7-5 10-7		2-3 13-8
					7-2 7-3	D43387600 D43389700	15-4 13-13
					1-18 1-20	D43405900	4-4 1-26
					11-1		1-27 10-3
						D43406400	13-1

D43407400	7-1 13-8	D44103700	1-1 1-6 1-12	D44128600	1-1 1-6 1-12	D44745200	9-5 9-7 10-10
D43409000	1-26 1-27	D44103800	1-1 1-6 1-12	D44128800	1-1 1-6 1-12	D44745300	10-10
D43410400	1-26 1-27					D44748700	12-5
D43418700	13-7	D44104000	1-1 1-6 1-12	D44129100	1-1 1-6 1-12	D44777500	13-12
D43419100	13-7					D44900002	13-5
D43419200	13-7	D44104100	1-31	D44129200	1-1 1-6 1-12	D44900012	13-5
D43419400	13-7	D44104500	1-1 1-6 1-12			D44900017	13-5
D43419900	1-10 1-11 9-7 10-8 15-1 15-2	D44104600	1-1 1-6 1-12	D44129300	1-1 1-6 1-12	D44900050	16-2
						D44900071	13-8
D43423000	7-1 16-2	D44104700	1-1 1-6 1-12	D44129400	1-1 1-6 1-12	D44900122	13-5
D43425200	10-10 15-1					D44900189	16-35
D43425300	10-10 15-1	D44120500	1-1 1-6 1-12	D44351400	11-2	D44900212	13-5
D43425400	10-10 15-1			D44351500	11-2	D44900347	16-34
D43425500	10-10 15-1	D44125900	1-1 1-6 1-12	D44358000	4-6 6-13 6-16	D44900351	16-34
D43425600	10-10 15-1						16-35
D43425700	10-10 15-1	D44126000	1-1 1-6 1-12	D44709601	7-1	D44900429	13-4
D43425800	10-10 15-1			D44717800	13-6	D44900586	10-6
D43425900	10-10 15-1	D44126100	1-1 1-6 1-12	D44718300	5-2 13-12	D44900588	6-4
D43427300	1-10 1-16					D44900589	16-5
D43427400	5-1 6-1	D44126200	1-1 1-6 1-12	D44719100	13-9	D44900617	10-5
D43427500	1-4 1-5 1-10 1-16 1-17 1-30 3-14			D44719500	13-3		10-6
		D44126300	1-1 1-6 1-12	D44730500	16-35	D44900624	6-10
D43428200	1-2 1-3 1-7 1-8 1-13 1-14			D44731100	6-2 9-4 13-12	D44900691	7-1
		D44126400	1-1 1-6 1-12	D44731200	15-3	D44900729	16-34
D43429200	3-18 9-5			D44731900	13-9		16-35
D43429300	3-18 9-5	D44126500	1-1 1-6 1-12	D44732300	13-5	D44900731	16-34
D43429400	3-18 9-5			D44732500	6-8 10-3		16-35
D43429500	13-8	D44126900	1-1 1-6 1-12	D44732600	13-9	D44900759	13-2
D43429800	13-9			D44732700	10-8 13-9	D44900760	13-2
D43429900	13-9	D44127000	1-1 1-6 1-12	D44732800	13-9	D44900761	13-8
D43484900	1-4 1-9 1-15 4-7			D44732900	13-9	D44900763	16-35
D43501500	3-1 3-10	D44127100	1-1 1-6 1-12	D44733100	13-9	D44900774	5-1
D43705500	16-1			D44735900	1-28 1-29	D44900775	5-1
D43707900	16-1	D44127200	1-1 1-6 1-12			D44900817	16-13
D43708900	16-1			D44737100	6-2	D44900818	16-13
D43709800	16-1	D44127800	1-1 1-6 1-12	D44737200	6-2 6-2	D44900821	16-13
D43710300	16-1					D44900827	16-33
D43713300	16-1 16-2	D44127900	1-1 1-6 1-12	D44739400	13-5	D44900832	13-5
D43713400	16-1			D44740400	3-15 3-16 3-17	D44900833	13-5
D43714200	16-1	D44128000	1-1 1-6 1-12			D44900836	13-5
D43715300	16-1			D44740600	4-4 7-5	D44900840	13-5
		D44128200	1-1 1-6 1-12			D44900857	7-1
						D44900858	7-1
		D44128300	1-1 1-6 1-12	D44740800	10-5 13-12	D44900859	7-1
						D44900865	15-4
		D44128400	1-1 1-6 1-12	D44741200	13-1 13-9	D44900867	7-1
						D44900891	13-5
		D44128400	1-1 1-6 1-12	D44742000	1-18 1-20	D44900892	13-5
						D44900894	10-6
		D44128500	1-1 1-6 1-12	D44743500	15-3	D44900896	7-1
				D44744800	10-1	D44900989	17-1
							17-2
						D44900990	13-9
						D44900996	9-7
						D44900999	13-12
						D45000167	13-9
						D45000228	1-26
						D45000268	1-26
							1-28
							1-29
						D45000269	13-8
						D45000270	13-8
						D45000271	13-8
						D45005200	1-26
							1-30
						D45005300	1-26
							1-30
						D45007800	2-2
							2-3
						D45010003	4-5
						D45010005	16-3
						D45010006	16-2
							16-3
						D45010007	16-4
						D45010008	16-4

**NUMERICAL INDEX
INDEX NUMERIQUE
NUMMERN-INDEX
INDICE NUMERICO**

D45010009	16-3	D45050009	13-5	D45068300	13-12	D45083300	13-2
D45010010	16-3	D45050010	13-5		16-2	D45083900	1-26
D45010011	16-3	D45050011	13-5	D45070008	13-9		1-28
D45010012	16-3	D45050012	13-5	D45070017	10-1		1-29
D45010013	16-4	D45050013	13-5	D45070023	10-1		1-30
D45010014	16-4	D45050014	13-5	D45070024	13-8	D45084500	1-26
D45010017	16-4	D45050015	13-5	D45070025	13-8		1-28
D45010018	16-4	D45050017	13-8	D45070026	13-8		1-29
D45010019	16-4	D45050018	13-8		13-11		1-30
D45010020	16-4	D45050019	13-5	D45070027	13-8	D45084501	1-28
D45010023	16-3	D45050021	13-8	D45070028	13-8		1-29
	16-4	D45050022	13-8	D45070031	14-14	D45084502	1-28
D45010024	16-3	D45050023	13-8	D45070044	13-2		1-29
	16-4	D45050024	13-8	D45070067	17-3	D45084600	1-26
D45010025	16-3	D45050025	13-5		17-4		1-27
	16-4	D45050027	13-5		17-5		1-28
D45010026	16-3	D45050028	13-5	D45070080	14-14		1-29
	16-4	D45050029	13-5	D45070083	1-31		1-30
D45010027	16-3	D45050030	13-5	D45070089	16-3	D45084700	9-5
D45010028	16-3	D45050031	13-5		16-5	D45085500	1-30
D45010034	16-4	D45050032	13-5	D45070090	13-5		15-4
D45010037	14-10	D45050033	13-5	D45077100	1-28	D45085600	15-4
	16-3	D45050037	2-2		1-29	D45086300	13-2
	16-3		2-3		1-30	D45086400	13-8
D45010038	16-3				1-28	D45086600	13-2
D45010040	16-3	D45050039	13-5	D45077300	1-28		13-8
D45010041	16-3	D45050040	13-8		1-29		13-8
D45010042	16-3	D45050041	13-8		1-30		16-35
D45010043	16-3	D45050045	13-1		15-4	D45086800	16-2
D45010047	16-3	D45050049	13-8	D45077500	13-12		16-5
D45010056	16-3	D45050050	13-8		15-1	D45087700	16-5
D45010062	13-8	D45050051	13-8	D45077600	13-12	D45088800	16-2
D45010063	13-8	D45050052	13-8		15-2		16-5
D45010068	16-3	D45050054	13-5	D45077700	16-1	D45090071	6-10
D45010073	16-3	D45050057	9-7	D45080005	1-28	D45090091	13-8
	16-5	D45050060	1-10		1-29	D45090093	13-8
D45010075	16-3		1-11		13-12	D45093000	13-8
	16-5		1-16		15-1		13-11
	16-3		1-17		15-2	D45100026	12-2
D45010076	16-3				15-2		14-15
D45010080	16-4	D45050067	6-10	D45080006	13-12	D45100027	2-3
D45010082	16-3	D45050200	13-9	D45080007	13-12		2-3
D45010083	16-3	D45051200	15-3	D45080008	13-12	D45100028	14-4
D45010092	4-4	D45051300	15-3	D45080011	13-12		2-2
	9-1	D45056700	10-1	D45080012	13-9		14-4
	11-2		10-8	D45080017	9-7	D45100029	3-5
	15-3		15-1	D45080018	6-5		3-15
	17-3	D45058300	13-2	D45080021	10-5		14-6
D45010094	16-5	D45059300	9-6	D45080024	16-5	D45100044	2-4
D45010096	16-2	D45059500	15-5	D45080033	9-3	D45100065	9-2
D45019500	13-12	D45059600	13-8	D45080038	10-10		14-13
D45020010	16-3	D45059800	6-4	D45080039	10-10	D45100066	2-4
D45020011	16-3	D45060001	13-8	D45080042	13-9		14-3
D45020012	16-3	D45060011	13-5	D45080044	13-9	D45100067	2-4
D45020013	16-3	D45060012	13-5	D45080048	13-9		14-3
D45020014	16-3	D45060013	13-5	D45080049	13-9	D45100092	12-7
D45020015	16-3	D45060014	13-5	D45080051	13-9	D45100300	12-3
D45020016	16-3	D45060016	13-5		13-11		12-4
D45020017	16-3	D45060024	13-8	D45080052	13-9		14-11
D45020019	16-3	D45060031	13-8		13-11	D45103000	10-5
D45020022	16-3	D45060037	13-8	D45080055	13-9		14-10
D45020023	16-3	D45060039	16-35		13-10	D45103100	10-5
D45020066	13-5	D45060046	13-9		13-11	D45110011	7-3
D45020080	16-3	D45060047	13-9	D45080062	10-6		14-7
D45020082	16-4	D45060055	6-4	D45080063	10-1	D45110014	14-3
D45020090	16-3	D45060093	16-3	D45080094	13-9		14-5
D45020092	16-4		16-4	D45080096	13-9		14-11
D45026600	16-1	D45060094	16-3	D45080109	13-9	D45110015	14-4
D45030078	16-3		16-4	D45080110	13-9		14-5
D45039100	11-2	D45060200	4-5	D45080168	4-5		14-6
	13-2		9-3		9-3		14-13
D45043800	16-4	D45060300	4-5	D45080169	4-5	D45110017	14-3
D45043900	16-4	D45061800	13-1		9-3		14-4
D45050003	13-5		13-7	D45080900	1-30	D45110019	2-3
	13-8	D45063800	13-5	D45081000	13-9	D45110020	2-2
D45050004	13-5	D45065800	13-5	D45081300	1-26	D45110043	14-7
D45050005	13-8	D45067900	4-5		13-12	D45110054	12-3
D45050006	13-5	D45068200	13-12		15-1		14-3
D45050008	13-5		16-2		15-2		14-11

D45110055	14-9	D45124400	14-12	D45140035	14-3	D45250700	2-2
	14-13	D45130013	14-7		14-4		10-5
D45110060	14-7	D45130015	14-7		14-7		14-7
D45110064	14-3	D45130017	14-3	D45140037	1-9		14-10
	14-4		14-4		1-15	D45250800	3-13
	14-5	D45130019	14-7		3-14		12-3
	14-6	D45130020	14-3	D45140043	1-33		12-6
	14-10	D45130022	14-8		3-4		14-11
	14-11	D45130024	14-6		3-14		14-12
	14-13	D45130026	13-1	D45140044	1-4		14-15
	14-15		14-12		1-9	D45251100	10-4
D45110065	14-3	D45130028	14-11		1-15		14-8
	14-5		14-15		1-33	D45251500	9-5
	14-11	D45130029	14-3	D45140045	1-33		10-1
D45110066	14-13	D45130030	10-1	D45140046	1-33		10-5
	14-15	D45130033	10-4	D45140047	1-33		14-7
D45110069	7-3	D45130034	11-2	D45140048	1-33		14-8
	14-7		14-5	D45140049	1-33		14-10
D45110070	9-5	D45130035	3-9	D45140050	1-33	D45252600	11-2
	14-10		3-19	D45140051	1-33		14-3
D45110085	3-15	D45130037	10-1	D45140052	1-33		14-4
	3-16		14-10	D45140053	1-33		14-5
D45110087	3-3	D45130039	14-8	D45140054	1-33		14-6
	3-13		14-10	D45140055	1-33		14-9
D45110089	2-4	D45130040	14-10	D45140056	1-33		14-13
D45110094	14-15		14-11	D45140057	1-33		14-14
D45110095	3-19	D45130042	14-10	D45140058	1-33	D45252700	6-14
	7-3	D45130043	14-10	D45145800	10-5		13-1
	11-2	D45130046	11-2	D45148100	14-9		14-12
	14-4		14-13	D45148400	14-9	D45252800	12-3
	14-5	D45130049	14-8	D45148500	13-12		12-4
	14-6	D45130050	14-8		14-6		14-3
D45110096	14-4		14-10	D45148600	14-9		14-4
	14-5	D45130051	14-10	D45149100	14-3		14-14
	14-6	D45130053	14-7		14-4	D45253400	14-7
D45110097	14-10	D45130054	14-4		14-7		14-11
D45110098	14-4	D45130067	14-8	D45160800	14-8	D45254000	9-2
	14-6	D45130068	6-14	D45161300	14-8		14-3
D45120001	14-10	D45130069	6-14	D45165100	12-3		14-4
D45120002	14-10	D45130070	6-14		12-4		14-13
D45120003	14-10	D45130071	14-8		14-8	D45254100	14-7
D45120004	14-10	D45130075	14-8	D45165800	10-5		14-12
D45120005	14-15	D45130076	12-3		14-10	D45254500	10-1
D45120006	14-15		12-4	D45165900	10-5	D45254900	14-7
D45120007	14-15	D45130078	11-2		14-10		14-11
D45120008	14-15		14-5	D45166800	10-5	D45255100	12-7
D45120020	14-15	D45130141	14-10	D45166900	10-5	D45255200	3-19
D45120023	14-11	D45130142	3-9		14-10		12-3
D45120024	14-11		3-19	D45167300	14-10		14-11
D45120025	3-9	D45132300	14-15	D45168800	14-8		14-15
	3-19	D45132500	3-19	D45169500	13-1	D45255300	14-10
D45120027	12-3	D45134900	6-14		14-12	D45255500	9-5
	12-4		14-14	D45169900	10-5		14-10
D45120029	13-1	D45135000	6-14	D45201600	10-5	D45255600	14-10
D45120030	3-19		14-14		10-6	D45255901	8-34
D45120031	3-19	D45135300	14-7	D45201800	14-7	D45256100	14-11
D45120032	6-14	D45135400	14-7	D45204800	14-8	D45256200	14-5
D45120038	6-14	D45136900	11-2	D45211300	11-2		14-7
D45120039	6-14	D45138800	14-3	D45217400	6-14		14-11
D45120043	14-10		14-4	D45219900	14-8	D45256400	14-7
D45120060	14-11	D45138900	14-3	D45232400	11-2	D45257300	3-9
D45120067	12-6		14-4		14-3		3-19
D45120068	12-6	D45140002	3-3		14-4	D45258000	11-2
	14-12		3-13	D45235200	14-15		12-3
D45120071	9-2		14-11	D45236200	1-1		12-4
D45120073	3-5	D45140003	14-9		1-6		14-5
	3-16	D45140004	14-9		1-12	D45258600	12-7
D45120076	7-3	D45140009	12-4	D45236700	10-10		14-12
	14-7	D45140010	12-3	D45239900	10-5	D45258700	14-8
D45120077	7-3		12-4	D45247400	6-14		
	14-7	D45140011	2-3	D45250000	2-2		
D45120700	1-22	D45140014	2-2		2-3		
	1-23	D45140015	2-3	D45250500	12-3		
	2-2	D45140016	2-2		12-4		
	14-7	D45140034	14-3		13-12		
D45123600	14-6		14-4		14-6		
	14-13		14-7		14-11		

NUMERICAL INDEX
INDEX NUMERIQUE
NUMMERN-INDEX
INDICE NUMERICO

D45263900	9-2 11-2 14-3 14-4 14-5 14-6 14-8 14-9 14-13	D45278000	14-3 14-4 14-7	D45632400	1-4 1-9 1-15	D45735300	10-10
		D45278100	14-7			D45736400	14-16
		D45403600	11-2	D45632900	1-4	D45736600	14-16
		D45403700	11-2		1-9	D45736700	10-5
		D45404300	11-2	D45633000	1-4		10-6
		D45409500	1-1 1-6 1-12	D45633100	1-4 1-9	D45737900	14-16
						D45738700	14-16
D45264000	14-11 14-12 14-15	D45412000	1-1 1-6 1-12	D45633200	1-4 1-9	D45739100	9-2 14-16
				D45633300	1-9	D45739200	10-10
D45264100	3-9 3-19 10-5 14-7 14-10 14-11 14-15	D45420100	6-14 11-2	D45633700	1-4		14-16
		D45420300	6-14	D45633900	1-4	D45739400	3-15
		D45427500	6-7	D45634100	1-15		3-16
		D45450100	13-11	D45634200	1-15		14-16
		D45450200	13-11	D45634300	1-15	D45739500	14-16
		D45462200	14-7	D45634400	1-15	D45739600	14-16
D45264200	14-8	D45463600	10-5	D45634500	1-15	D45739700	10-1
D45264300	10-1 14-10	D45463900	14-8	D45634600	1-15		14-16
		D45465600	11-1	D45634700	1-15	D45739800	14-16
D45265000	14-15	D45467100	11-2	D45634800	1-15	D45739900	14-16
D45265200	6-14	D45467600	17-9	D45634900	1-15	D45742200	6-2
D45266100	14-4 14-6	D45470800	10-6	D45635000	1-15		9-4
		D45471500	11-2	D45635100	1-15		15-2
D45266200	9-5 14-7 14-10 14-11	D45472100	11-2	D45635200	1-15	D45743000	15-4
		D45476400	6-5 17-9	D45635300	1-15	D45744000	3-14
				D45635400	1-15		13-9
		D45478900	6-7	D45635500	1-15	D45744100	13-9
D45266300	6-14 14-11	D45479600	12-2	D45645700	1-4 1-9	D45744200	10-5 13-12
		D45481200	3-1	D45665300	1-4	D45744500	13-9
D45266500	6-14 14-8		3-11		1-9	D45744700	13-1
D45266600	9-5 14-10	D45481500	1-1 1-6 1-12	D45667300	1-4 1-9	D45744900	13-2 13-7
D45266800	6-14 9-5 14-10			D45681800	1-4 1-9		13-9
		D45481600	1-3 1-8 1-14		1-15	D45745100	13-5
D45266900	11-2 14-5 14-9	D45482200	10-2	D45698700	3-6 3-7	D45745300	1-5 13-8
		D45482400	12-8		3-15	D45745500	13-9
D45267100	14-11 14-12 14-15	D45482700	12-7		3-16	D45745600	13-8
			14-8	D45698800	3-17	D45745700	12-6
D45267200	14-8	D45482900	11-2		5-2	D45746700	10-6
D45267300	14-11	D45483000	1-1 1-6 1-12	D45698900	6-11 3-15	D45748500	13-9
D45267700	14-10				3-16	D45749200	13-9
D45269900	10-1 14-8 14-10	D45609100	1-4 1-9 1-4	D45699000	5-2 6-11	D45749800	13-5 13-8
		D45609300	1-4		5-2		
D45272000	9-5 11-2 14-10	D45609500	1-15	D45699100	12-2	D45750300	1-25 1-31
		D45622700	1-15	D45702000	1-9 3-14	D45750500	5-1
D45272100	9-5 14-3 14-4 14-5 14-7 14-10 14-11	D45623000	9-1	D45711200	10-6	D45761000	10-10
		D45626500	7-3	D45713000	10-10	D45903800	11-1
		D45630100	1-4 1-9 1-4 1-9 1-9	D45713600	13-3	D45904300	1-3
				D45713700	6-14 13-3		1-8 1-14 3-1
D45272200	10-5 14-11	D45630200	1-4 1-9 1-9	D45713900	13-9	D45904500	9-7
				D45714200	14-9	D45904600	9-7
D45272300	14-6	D45630300	1-4 1-9	D45715100	10-5	D45904700	9-7
D45272400	14-8			D45715300	10-5	D45904800	1-31
D45272600	14-7	D45630400	1-4 1-9	D45715900	6-8 6-10	D45905200	1-31
D45272800	9-5 14-7 14-10			D45716800	10-10	D45905300	13-3
		D45630500	1-4	D45717900	10-9	D45905500	6-16
D45272300	14-6			D45718800	10-2		13-3
D45272400	14-8	D45630600	1-4	D45729400	1-30	D45905600	13-4
D45272600	14-7			D45730008	4-7	D45905950	13-3
D45272800	9-5 14-7 14-10	D45630700	1-4 1-9	D45730400	10-2 10-5		3-6 3-7
					15-4	D45906100	13-5
D45273100	9-5 14-10	D45631100	1-4 1-9	D45730600	11-2	D45906700	1-26
				D45731100	17-7		1-27
D45273200	6-14 14-10	D45631500	1-4 1-9	D45731300	10-2	D45906900	12-5
				D45731400	10-7	D45907000	6-3
D45277000	12-3 12-4 14-11	D45631900	1-4 1-9 1-4	D45733700	10-9		
				D45733900	10-9		
		D45632300	1-4 1-9	D45734200	10-2		

D45907200	1-26	D46140059	12-9	D46486100	10-9	D49040900	1-1
	1-27	D46140062	12-9	D46490011	10-6		1-6
	1-28	D46140063	12-9	D46490013	10-6		1-12
	1-29	D46140064	12-10	D46490047	10-6	D49050009	12-7
D45907400	12-5	D46140066	12-1	D46490048	10-6	D49050016	12-7
D45907500	6-3		12-2	D46490049	8-34	D49050046	12-6
D45907600	12-6		12-13	D46490094	9-5	D49050057	12-7
D45907800	12-6	D46140069	12-1	D46707400	1-27	D49050058	12-7
D45908000	13-3		12-2	D46708400	12-14	D49060009	17-1
D45908100	13-3		12-8		12-15		17-2
D45908200	13-6	D46140073	12-1	D46721700	1-27		17-3
D45908300	13-3		12-2	D46723300	12-6	D49060010	17-3
D45908400	13-3		12-13	D46723900	1-27	D49060011	17-3
D45908500	13-3	D46140078	12-3	D46727400	1-27	D49060012	17-1
D45908600	12-8		12-4	D46727700	12-6		17-2
D45910100	12-6	D46140089	12-6	D46727800	12-6		17-3
D45924900	13-5	D46140094	12-1	D46728200	12-6	D49060013	17-1
D45931500	13-13	D46140095	12-1	D46728300	1-27		17-2
D45931600	13-13	D46140096	12-1	D46729200	1-27		17-3
D45931700	13-13	D46140097	12-1	D46729300	12-6	D49060014	17-1
D45931800	13-13	D46149400	12-1	D46729500	12-6		17-2
D45932000	13-13		12-2	D46729700	12-6		17-3
D45932100	13-13	D46150301	7-1	D46729800	12-6	D49060015	17-1
D45932200	13-13	D46403500	10-10	D46729900	12-6		17-2
D45932400	13-13	D46406600	10-4	D46731800	1-26		17-3
D45934100	12-6	D46415200	13-5	D46732000	12-15	D49060016	17-1
D45934200	12-6	D46422300	10-5	D46732200	12-14		17-2
D45940001	13-13		10-6		12-15		17-3
D45940002	13-13	D46434600	13-3	D46732400	12-14	D49060017	17-1
D45940003	13-13		13-7		12-15		17-2
D45940004	13-13	D46434800	13-3	D46732600	12-14		17-3
D45940005	13-13	D46436200	9-7		12-15	D49060018	17-3
D45940006	13-13		12-3	D46732700	12-14	D49060020	17-2
D45940007	13-13		12-4	D46732800	12-14		17-3
D45940008	13-13		13-5		12-15	D49060021	17-2
D45940009	13-13	D46437300	1-6	D46733200	12-14		17-3
D45940010	13-13		1-12		12-15	D49060022	17-2
D45940011	13-13		3-15	D46734700	1-29		17-3
D45940012	13-13		3-16	D46734701	1-28	D49060023	17-2
D45940013	13-13		12-2	D46735300	12-15		17-3
D45940014	13-13		13-1	D46735600	1-27	D49060027	17-5
D45940015	13-13		13-4	D46738100	12-14	D49060038	17-5
D45940016	13-13	D46439400	13-5	D46738700	12-14	D49060039	17-5
D45940017	13-13	D46439500	13-3		12-15	D49060041	17-3
D45940018	13-13	D46439700	13-5	D46738800	12-14	D49060055	17-2
D45940019	13-13	D46440047	10-6	D46743400	1-26		17-3
D45940020	13-13	D46440048	10-6	D46743500	1-26	D49060056	17-5
D45940021	13-13	D46440053	10-2	D46743600	1-26	D49060057	17-5
D45940022	13-13	D46442400	10-9	D46743700	1-26	D49060064	17-5
D45940023	13-13	D46443000	10-10	D46743800	1-26	D49060065	17-5
D45940024	13-13	D46444900	10-9	D46745600	1-29	D49060066	17-5
D45940036	13-13	D46445600	10-9	D46745601	1-28	D49060067	17-5
D45940300	13-13	D46446000	10-10	D46745603	1-28	D49060068	17-5
D45940400	13-13	D46446500	10-10	D46745604	1-28	D49060069	17-5
D45941600	13-6	D46446700	10-5	D46745606	1-28	D49060070	17-5
D46116500	1-1	D46447400	10-6	D46745607	1-28	D49060071	17-5
	1-6	D46480400	13-1	D46745608	1-28	D49060072	17-5
	1-12	D46480600	13-1	D46745611	1-29	D49060073	17-5
	7-5	D46480700	13-1	D46745612	1-29	D49060074	17-5
D46116600	12-1	D46480900	10-5	D46745613	1-29	D49060075	17-5
D46140016	12-1	D46481600	6-7	D47000100	3-5	D49060076	17-5
	12-2		6-9	D49005700	17-1	D49060077	17-5
	12-3		6-11		17-2	D49060078	17-5
	12-4	D46481700	5-2		17-3	D49060079	17-5
	12-8		6-9	D49017100	17-1	D49060080	17-5
	12-8		6-11		17-2	D49060081	17-5
D46140026	12-8	D46481800	6-7		17-3	D49060082	17-5
D46140027	12-8		6-11	D49040300	1-1	D49060083	17-5
D46140028	12-8		5-2		1-6	D49060084	17-5
D46140029	12-8	D46482000	13-12		1-12	D49060085	17-5
D46140030	12-8	D46483200	10-9		1-1	D49060086	17-5
D46140031	12-8	D46483500	10-9	D49040400	1-1	D49060087	17-5
D46140033	12-8	D46483600	10-9		1-6	D49060088	17-5
D46140034	12-8	D46483700	10-9		1-12		6-13
D46140035	12-8	D46483800	10-9	D49040600	1-1		17-5
D46140058	12-3	D46483900	10-9		1-6	D49060089	17-3
	12-4	D46484301	10-2		1-12	D49060091	17-1
	12-10	D46485700	10-2			D49060094	12-7

**NUMERICAL INDEX
INDEX NUMERIQUE
NUMMERN-INDEX
INDICE NUMERICO**

D49060096	12-7	D49070160	17-1	D49080221	6-13	D58187025	15-1
D49066800	12-7		17-2	D49080222	6-13	D58187026	15-2
D49066900	12-7	D49070161	17-1	D49080223	6-13	D58187027	15-2
D49067000	12-7	D49070162	17-1	D49080224	6-13	D58187028	15-1
D49067300	12-7	D49070163	17-1	D49080225	6-13	D58187029	15-3
D49067700	12-7	D49070164	17-1	D49080226	6-13	D58250648	1-5
D49067800	12-7	D49070165	17-1	D49080227	6-13		1-17
D49067900	12-7	D49070166	17-1	D49100137	1-32	D58273990	1-10
D49068000	12-7	D49070167	17-1	D49100160	18-2		1-22
D49070020	14-14	D49070168	17-1	D49100161	1-28	D58273991	1-10
D49070022	14-14	D49070169	17-1		1-29		1-22
D49070026	14-14	D49070170	17-4	D49100192	1-32	D58273992	1-10
D49070027	14-14	D49070171	17-4	D49100195	1-32		1-22
D49070031	14-14	D49070172	17-4	D49130091	13-5	D58273993	1-10
D49070052	14-14	D49070173	17-4	D49138600	1-27		1-22
D49070057	14-14	D49070174	17-5		1-32	D58274034	1-10
D49070058	14-14	D49070175	17-5	D49138700	1-32		1-16
D49070059	14-14	D49070176	17-5	D49140035	18-1	D58280359	1-10
D49070060	14-14	D49070177	17-5	D49140036	18-1		1-11
D49070062	14-14	D49070181	17-2	D49140037	18-1	D58280958	1-5
D49070063	14-14	D49070400	17-1	D49140038	18-1	D58280969	3-18
D49070065	14-14	D49070500	17-1	D49140039	18-1	D58281345	1-4
D49070073	14-14		17-2	D49140040	18-1		1-9
D49070075	14-14		17-3	D49140041	18-1		1-15
D49070076	6-13	D49070800	17-5	D49140042	18-1	D58281572	1-1
	14-14	D49071600	17-2	D49140043	18-1		1-6
D49070077	14-14		17-3	D49143100	1-32		1-12
D49070078	14-14	D49073100	17-3	D49157500	3-3	D58281583	1-4
D49070079	14-14	D49073400	17-1		3-13	D58281700	1-18
D49070080	14-14		17-2		15-4	D58281701	1-19
D49070081	14-14		17-3	D49158800	1-32	D58281702	1-19
D49070082	14-14	D49074600	17-1	D49160400	1-28	D58281703	1-18
D49070083	14-14		17-2		1-29	D58281779	3-15
D49070086	14-14	D49080066	17-2	D49178500	1-32		3-16
D49070088	12-7		17-3	D49178600	1-32		3-17
D49070099	12-7	D49080067	17-1	D49178700	1-32	D58281780	3-14
D49070116	17-3		17-2	D49178800	1-32		3-19
D49070117	17-1		17-3	D49187900	13-8	D58281781	3-15
D49070118	17-1	D49080137	6-13	D49189000	13-8		3-16
	17-3	D49080142	6-13	D49208700	16-1		3-17
D49070121	17-5	D49080144	6-13	D58181034	15-2	D58281785	3-15
D49070122	17-5	D49080146	6-13	D58185766	15-4		3-16
D49070131	17-5	D49080148	6-15	D58185770	15-5	D58281787	3-15
D49070132	17-5	D49080158	12-7	D58185948	15-5	D58281792	3-15
D49070133	17-8	D49080161	12-7	D58185949	15-5		3-16
D49070134	17-8	D49080162	12-7	D58186213	15-4		3-17
D49070136	17-5	D49080164	12-7	D58186221	15-4	D58281809	3-14
D49070137	17-8	D49080166	12-7	D58186224	15-4	D58281908	3-16
D49070138	17-8	D49080167	12-7	D58186263	15-4		3-17
D49070141	17-2	D49080177	12-7	D58186302	15-5		3-18
D49070142	17-2	D49080178	12-7	D58186311	15-4	D58281909	3-15
D49070143	17-1	D49080179	12-7	D58186312	15-4		3-18
	17-2	D49080180	12-7	D58186524	15-2	D58281960	3-14
D49070144	17-1	D49080181	12-7	D58186530	15-2	D58281963	3-14
	17-2	D49080182	12-7	D58186531	15-2	D58281966	3-14
D49070146	17-1	D49080183	12-7	D58186543	15-1	D58282081	3-14
	17-2	D49080184	12-7	D58186544	15-1	D58282086	3-15
D49070147	17-1	D49080185	12-7	D58186546	15-1		3-16
	17-2	D49080186	12-7	D58186547	15-1		3-17
D49070148	17-1	D49080187	12-7	D58186574	15-1	D58282109	3-19
	17-2	D49080188	12-7	D58186614	15-1	D58282255	1-18
D49070149	17-2	D49080189	12-7	D58186630	15-5	D58282256	1-19
D49070150	17-1	D49080190	12-7	D58186633	15-5	D58282257	1-19
	17-2	D49080191	12-7	D58186637	17-9	D58282258	1-18
D49070151	17-2	D49080192	12-7	D58186751	10-3	D58282340	3-14
D49070153	17-1	D49080193	12-7	D58186855	15-2		3-19
	17-2	D49080194	12-7	D58186869	15-2	D58282361	1-25
D49070154	17-1	D49080195	12-7	D58186873	15-2	D58282367	1-25
	17-2	D49080208	6-13	D58186995	15-3	D58283053	1-3
D49070155	17-1	D49080209	6-13	D58187013	15-2	D58283078	1-3
	17-2	D49080211	6-13		15-3	D58283098	1-4
	17-3	D49080213	6-13	D58187014	15-3	D58283099	1-4
D49070157	17-1	D49080215	6-13	D58187015	15-3	D58283232	1-5
D49070158	17-1	D49080216	6-13	D58187018	9-4	D58283233	1-5
	17-2	D49080217	6-13	D58187019	15-1	D58283236	1-5
D49070159	17-1	D49080218	6-13	D58187020	15-2	D58283238	1-5
	17-2	D49080220	6-13	D58187024	10-3	D58283251	2-4

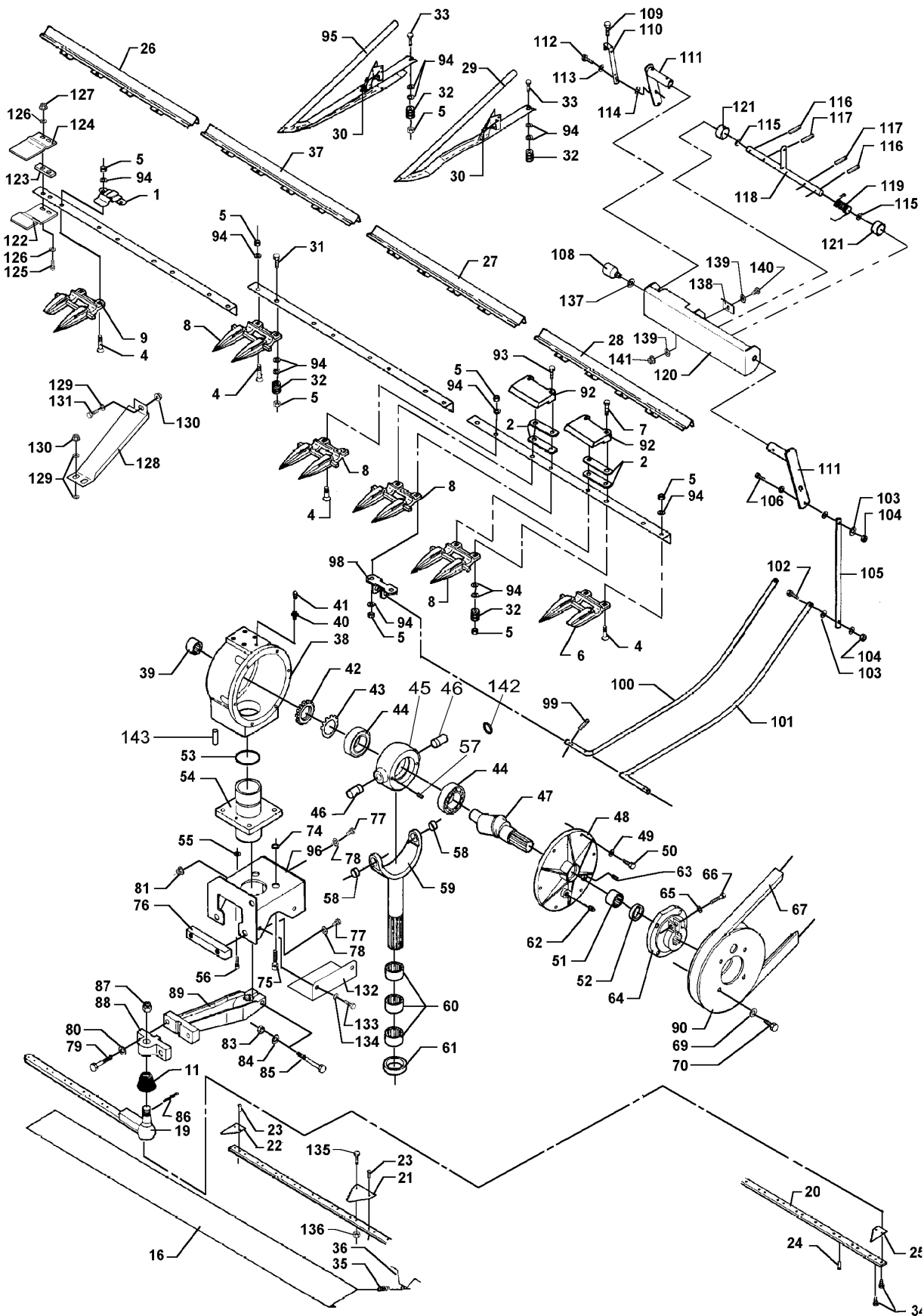
D58283554	1-10 1-11 1-16 1-17 1-22 1-23	D58285590	1-10 1-11 1-16 1-17 1-22 1-23	SKF62072RS	7-3 9-1 10-6 17-7	V528801360	8-17 8-37 8-38 8-43
				SKF62082RS	6-7 17-9	V528801362	8-45 8-2 8-3 8-4 8-20 8-21
D58283701	1-1	D58285613	1-5	V500050642	8-45	V528801380	8-3 8-4 8-20 8-21 8-3 8-4 8-5 8-6 8-16 8-17 8-21 8-23 8-24 8-35 8-36
D58283702	1-1	D58285663	1-11	V500050840	8-3		
D58283704	1-1		1-23	V500051052	8-22	V528801400	8-5 8-6 8-31
D58283705	1-1	D58285664	1-11	V500150642	8-3	V528801410	8-5 8-6 8-31
D58283706	1-1		1-23	V500150840	8-17	V528801420	8-31 8-32
D58283862	1-5	D58285738	1-5	V500150842	8-14 8-45	V528801740	8-15 8-43
D58283938	1-5	D58285739	1-5	V500151050	8-22	V528801760	8-15
D58284331	1-5	D58285752	1-5	V500450602	8-25	V528801800	8-13 8-14 8-19 8-24 8-38
D58284375	1-18	D58285756	1-5	V500451602	8-39	V528801820	8-13
D58284377	1-18	D58285763	1-5	V500452002	8-22	V528801830	8-14
D58284383	1-18		1-10	V500950800	8-14 8-16 8-23 8-29 8-30	V528802602	8-6 8-24 8-5 8-22 8-24 8-6 8-31 8-16 8-18 8-26 8-27 8-31 8-35 8-36 8-45
D58284669	1-10 1-16 1-22	D58285767	1-5 1-10 1-11			V528802610	8-5
			1-5	V500951000	8-7	V528802640	8-22
D58284749	1-16 1-22	D58285775	1-5	V500951200	8-6 8-7 8-24	V528901400	8-6
D58284750	1-16 1-22	D58285776	1-5			V528901550	8-31
D58284752	1-10 1-16	D58285827	1-11	V500951400	8-7	V528901830	8-13
D58284752	1-10 1-16	D58285828	1-11	V504600502	8-26 8-27 8-43	V528902200	8-6
D58284755	1-10 1-16	D58285979	1-16 1-17			V528902230	8-8 8-9 8-10
D58284758	1-10 1-11 1-16	D58286026	1-5	V504600602	8-25 8-35 8-36 8-43	V529701880	8-37 8-38
		D58286027	1-5			V529702630	8-7
D58285097	1-10 1-11	D58851122	9-1	V504601400	8-6	V529801102	8-3
D58285102	1-7	D58880034	9-1	V504601600	8-20 8-21	V529801112	8-35 8-36
D58285104	1-11 1-17	D58880046	9-1	V504602002	8-19 8-38	V529801430	8-16
D58285119	1-17 1-23	D58880366	9-1	V504611802	8-23	V529801440	8-6 8-31
D58285120	1-11 1-17	D58880498	9-2	V504800800	8-16 8-18 8-26	V529801450	8-38
D58285121	1-10 1-11 1-16	D58885022	9-5			V529801470	8-29 8-30 8-31
D58285122	1-10 1-11 1-16	D58885022	9-5	V504861000	8-17	V529801480	8-30
		D58885219	9-5	V505612000	8-22	V529801490	8-38
D58285124	1-10 1-11 1-17	D58885653	9-7	V510600602	8-23 8-31		
		D58885654	9-7	V510600802	8-39		
D58285172	1-17	D58885656	9-4	V510601002	8-40 8-39 8-40		
D58285175	1-10 1-11	D58885658	9-4	V512861000	8-11		
D58285177	1-15	D58885659	9-7	V513601002	8-12 8-29 8-30 8-31		
D58285218	1-5	D58885662	9-4	V515601602	8-39		
D58285263	1-5 1-10 1-11	D58885664	9-4	V521601000	8-35 8-36		
		D58885667	9-5	V528800762	8-26 8-27		
D58285264	1-5 1-10 1-11	D58885671	9-5	V528801062	8-6 8-43		
		D58885672	9-5	V528801082	8-23 8-31		
D58285268	1-17	D58885674	9-5				
D58285312	1-3 1-7	D58885676	9-4 9-5				
D58285373	1-11	D58950553	15-3				
D58285374	1-11	D58985572	9-4				
D58285375	1-10 1-11	D58986152	13-12				
		D71412027	8-34				
D58285413	1-15	D71412028	8-34				
D58285447	1-10 1-11	D71412029	8-34				
		D71412030	8-34				
D58285507	1-5	D71412031	8-34				
D58285529	1-5	LC2312031	12-13				
		SKF60092RS	5-3 6-6				
		SKF62042RS	1-4 1-9 1-15				
			3-13				
			4-5				
			4-7				
			5-3				
			6-6				
			9-3				
			10-5				
			10-6				
			11-2				
			17-7				
		SKF62062RS	7-5 10-6				

V835331103	8-26	V836322538	8-16	V836640951	8-41	V836667315	8-40
	8-27		8-47	V836640954	8-41	V836667650	8-16
V835331289	8-26	V836322852	8-3	V836640955	8-41	V836667732	8-45
	8-27		8-4	V836640958	8-41	V836747849	8-14
	8-28		8-47	V836646356	8-11		8-31
V835336276	8-26	V836322906	8-17	V836646357	8-11	V836837391	8-13
	8-27	V836322909	8-17	V836646360	8-15	V836840882	8-8
	8-46	V836324661	8-11		8-46		8-9
V835336942	8-26	V836329194	8-25	V836646380	8-11		8-10
	8-27	V836330959	8-22	V836646381	8-11	V836840883	8-5
V835336943	8-26	V836331590	8-21	V836646382	8-11		8-6
	8-27		8-44	V836646393	8-21		8-47
V835336944	8-22	V836336302	8-8		8-44	V836840884	8-7
V835339319	8-43		8-9		8-46		8-47
V835339877	8-25		8-10	V836647400	8-4	V836840885	8-35
V835339879	8-25		8-49	V836647401	8-4	V836840886	8-8
V835339880	8-25		8-50		8-47		8-49
V835339882	8-25	V836336425	8-21	V836647419	8-5	V836840887	8-8
V835339884	8-25		8-44		8-47		8-9
V835340971	8-25	V836336459	8-18	V836647440	8-7		8-10
V835340972	8-25		8-49	V836647600	8-13	V836840930	8-35
V836007871	8-17	V836336934	8-22	V836647601	8-13		8-36
V836008449	8-17		8-33	V836647936	8-13	V836840944	8-8
	8-47	V836338180	8-17	V836647942	8-13		8-9
V836012841	8-15	V836338182	8-17		8-14		8-10
	8-46	V836338186	8-17	V836652081	8-16		8-49
V836014264	8-11	V836338188	8-17	V836652170	8-26		8-50
	8-12		8-47		8-27	V836840945	8-8
V836015142	8-32	V836338201	8-17	V836652269	8-11		8-9
V836015147	8-32		8-47	V836655406	8-11		8-10
V836015148	8-32	V836338512	8-18		8-12		8-49
V836015149	8-32	V836338601	8-2	V836655527	8-32		8-50
V836015156	8-21		8-3	V836655866	8-11	V836840978	8-8
	8-44	V836338606	8-8	V836655869	8-11		8-9
V836015918	8-32		8-9	V836655870	8-11		8-10
V836015919	8-32		8-10	V836655884	8-11	V836840979	8-8
V836015958	8-32	V836338650	8-8	V836655899	8-11		8-9
V836015959	8-32		8-9	V836655994	8-22		8-10
V836015967	8-31		8-10	V836659068	8-29	V836840980	8-8
V836017927	8-6	V836338651	8-8	V836659521	8-16		8-9
V836019756	8-4		8-9	V836659524	8-16		8-10
V836020054	8-7		8-10	V836659529	8-15	V836840981	8-8
V836114958	8-29	V836338652	8-8	V836659539	8-15		8-9
V836117323	8-32		8-9	V836659691	8-43		8-10
V836117970	8-7		8-10		10-6	V836840982	8-8
V836119079	8-3	V836338653	8-8	V836659697	8-15		8-9
	8-4		8-9	V836662073	8-41		8-10
	8-21		8-10	V836662091	8-41	V836840983	8-8
V836119384	8-31	V836338667	8-17	V836662092	8-41		8-9
V836119643	8-14	V836338733	8-14	V836662093	8-41		8-10
V836119855	8-15	V836338985	8-46	V836662094	8-41	V836840992	8-35
V836120022	8-24	V836339370	8-32	V836662095	8-41		8-36
V836120491	8-22	V836339372	8-32	V836662130	8-16		8-46
V836120989	8-32	V836340045	8-32	V836662619	8-40	V836840993	8-46
	8-37	V836340067	8-25	V836662620	8-40		8-47
	8-38	V836340069	8-25	V836662621	8-40	V836840994	8-47
	8-39	V836340948	8-8	V836662622	8-40		8-49
	8-40		8-9	V836662623	8-40	V836840995	8-49
V836122910	8-17		8-10	V836662624	8-40	V836846231	8-2
	8-33	V836346298	8-16	V836662625	8-40	V836846448	8-15
V836129946	8-5	V836347308	8-16	V836664210	8-43	V836847493	8-29
	8-47	V836354615	8-27	V836664211	8-43		8-30
V836136717	8-5	V836355435	8-46	V836664226	8-24	V836847496	8-29
V836146021	8-29	V836355872	8-11	V836664287	8-43		8-30
V836214478	8-2	V836359603	8-24	V836664377	8-3		8-46
	8-3	V836362023	8-25		8-4	V836847522	8-26
V836316726	8-46	V836362024	8-25	V836664518	8-26		8-27
V836316814	8-22	V836362025	8-25		8-27	V836847531	8-29
V836322190	8-16	V836362026	8-25	V836664521	8-26	V836847532	8-29
	8-18	V836362027	8-25		8-27		8-30
	8-21	V836362228	8-24	V836666302	8-13		8-46
	8-44	V836362229	8-24		8-46	V836852301	8-29
	8-46	V836362567	8-18	V836666608	8-11		8-30
	8-47		8-50	V836666609	8-11	V836852459	8-2
V836322221	8-8	V836429560	8-32	V836666610	8-11		8-3
	8-9	V836640752	8-14	V836666759	8-30	V836852460	8-2
	8-10	V836640897	8-13	V836666980	8-45		8-3

**NUMERICAL INDEX
INDEX NUMERIQUE
NUMMERN-INDEX
INDICE NUMERICO**

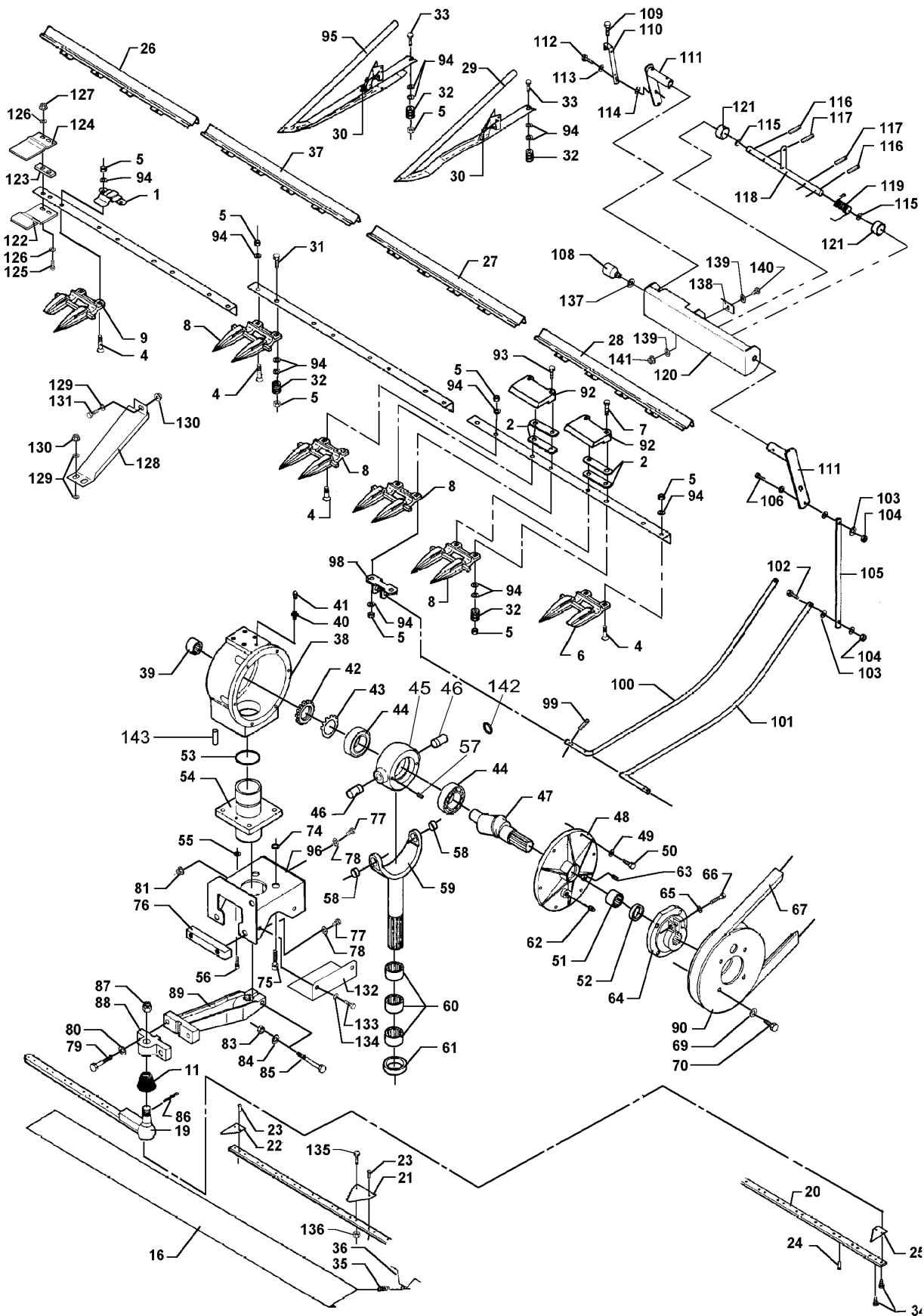
V836852461	8-2	V836855636	8-5	V836859188	8-29	V836862456	8-42
	8-3		8-6		8-30	V836862457	8-42
V836852466	8-2	V836855637	8-8		8-31	V836862458	8-42
V836852467	8-2		8-9	V836859199	8-5	V836862459	8-42
V836852744	8-2		8-10	V836859200	8-5	V836862460	8-42
	8-3	V836855639	8-18	V836859201	8-5	V836862461	8-42
V836854929	8-28		8-44		8-47	V836862462	8-42
V836854930	8-28	V836855641	8-8	V836859202	8-20	V836862496	8-33
V836854990	8-22		8-9	V836859288	8-38	V836862528	8-11
V836854991	8-28		8-10	V836859302	8-33	V836864048	8-39
V836854992	8-26	V836855651	8-5		8-34	V836864101	8-8
	8-28		8-6	V836859311	8-7		8-9
V836854997	8-22	V836855652	8-5	V836859347	8-37		8-10
V836855297	8-17	V836855666	8-37		8-38	V836864102	8-8
V836855300	8-17		8-38	V836859348	8-37		8-9
V836855347	8-11	V836855672	8-44		8-38		8-10
V836855348	8-13	V836855673	8-17	V836859356	8-37	V836864103	8-8
	8-14	V836855674	8-17		8-38		8-9
V836855350	8-13	V836855678	8-3	V836859357	8-37		8-10
	8-14		8-4		8-38	V836864104	8-10
V836855381	8-13	V836855689	8-37	V836859363	8-37	V836864105	8-8
V836855417	8-46		8-38		8-38		8-9
V836855418	8-46	V836855690	8-8	V836859364	8-37		8-10
V836855445	8-2		8-9		8-38	V836864106	8-8
	8-49		8-10	V836859452	8-20		8-9
V836855446	8-2	V836855709	8-36		8-21		8-10
	8-3	V836855714	8-35	V836859456	8-20	V836864107	8-8
	8-47		8-36	V836859457	8-20		8-9
V836855447	8-2	V836855744	8-46	V836859560	8-16		8-10
	8-3	V836855755	8-19	V836859561	8-16	V836864141	8-8
	8-47		8-38	V836859563	8-16		8-9
V836855484	8-18	V836855756	8-19	V836859581	8-2		8-10
V836855506	8-29		8-38	V836859582	8-2	V836864142	8-39
	8-30	V836855757	8-19	V836859583	8-2	V836864285	8-43
	8-31		8-38	V836859587	8-15	V836864286	8-43
V836855517	8-18	V836855758	8-19	V836859588	8-5	V836864288	8-8
V836855519	8-18		8-38	V836859626	8-15		8-9
V836855520	8-18	V836855762	8-19	V836859683	8-37		8-10
	8-47		8-38		8-38	V836864296	8-37
V836855521	8-18	V836855774	8-29	V836859684	8-37		8-38
V836855522	8-18		8-30		8-38	V836864378	8-29
V836855523	8-18	V836855789	8-37	V836859706	8-43	V836864379	8-29
V836855525	8-8		8-38	V836859713	8-33	V836864398	8-30
	8-9	V836855853	8-5		8-34	V836864458	8-5
	8-10	V836855909	8-7	V836859722	8-13	V836864459	8-5
V836855526	8-5	V836855910	8-8	V836862000	8-28	V836864497	8-30
V836855554	8-3		8-9	V836862001	8-28	V836864541	8-45
	8-4	V836855928	8-39	V836862002	8-28	V836866029	8-19
	8-47		8-40	V836862003	8-28	V836866036	8-2
V836855558	8-8	V836855934	8-37	V836862004	8-28		8-3
	8-9		8-38	V836862005	8-28	V836866069	8-2
	8-10	V836855935	8-37	V836862006	8-28		8-3
V836855559	8-8		8-38	V836862007	8-28	V836866152	8-30
	8-9	V836855941	8-37	V836862008	8-28	V836866182	8-9
V836855560	8-2		8-38	V836862009	8-28		8-49
V836855561	8-2	V836855956	8-39	V836862010	8-28	V836866341	8-39
V836855562	8-2		8-40	V836862011	8-28		8-40
	8-6	V836855957	8-39	V836862012	8-28	V836866576	8-33
V836855563	8-2	V836855986	8-22	V836862013	8-28	V836866592	8-2
V836855564	8-5	V836855987	8-22	V836862014	8-28	V836866670	8-26
V836855565	8-5	V836855988	8-32	V836862015	8-28		8-27
	8-6	V836855989	8-32	V836862016	8-28	V836866735	8-20
V836855566	8-5	V836855993	8-22	V836862017	8-28		8-21
V836855567	8-5	V836855996	8-22	V836862018	8-28	V836866774	8-43
V836855568	8-11	V836859034	8-29	V836862019	8-28	V836866808	8-46
V836855569	8-20		8-30	V836862051	8-33	V836866809	8-35
V836855601	8-21		8-31		8-34		8-36
	8-44	V836859104	8-13	V836862271	8-20		8-46
V836855602	8-21	V836859109	8-13	V836862378	8-39	V836866817	8-42
	8-44		8-14	V836862379	8-39	V836866831	8-45
V836855603	8-21	V836859110	8-13	V836862380	8-39	V836866957	8-3
	8-44		8-14	V836862381	8-39		8-4
	8-46	V836859136	8-35	V836862382	8-39	V836866958	8-3
V836855625	8-20	V836859137	8-35	V836862383	8-39		8-4
	8-21	V836859152	8-47	V836862418	8-25		8-24
V836855629	8-3	V836859153	8-3	V836862454	8-42	V836867046	8-3
	8-4	V836859168	8-20	V836862455	8-42		

V836867048	8-2	V837069150	8-45	V899901495	8-26
	8-3	V837069216	8-45		8-27
	8-49	V837069268	8-23		8-46
	8-50	V837069313	8-23	VHC9326	8-4
V836867050	8-3	V837069314	8-23		8-5
V836867390	8-13	V837069410	8-45		8-44
	8-14	V837070000	8-6	VLA1014	8-5
V836867391	8-14	V837070001	8-6		
V836867567	8-14	V837070002	8-6		
V836867591	8-33	V837070003	8-6		
V836867593	8-33	V837070004	8-6		
V836867595	8-33	V837070005	8-6		
V836867602	8-33	V837070020	8-21		
V836867642	8-31	V837070021	8-3		
V836867656	8-19	V837070036	8-12		
	8-38	V837070048	8-45		
V836867775	8-6	V837070049	8-45		
V836867822	8-36	V837070050	8-45		
V836867823	8-36	V837070051	8-45		
V837062565	8-14	V837070054	8-45		
V837062617	8-21	V837070055	8-45		
V837062626	8-50	V837070072	8-6		
V837062627	8-48	V837070073	8-23		
V837062628	8-48	V837070074	8-21		
	8-50	V837070075	8-21		
V837062629	8-23	V837070077	8-23		
V837064906	8-14	V837070078	8-23		
V837064907	8-14	V837070079	8-23		
V837064908	8-14	V837070080	8-23		
V837064910	8-12	V837070081	8-23		
V837067295	8-31	V837070082	8-23		
V837067345	8-31	V837070107	8-6		
V837067801	8-23	V837070108	8-6		
V837067967	8-24	V837070113	8-6		
V837067968	8-24	V837070121	8-23		
V837067969	8-24	V837070130	8-45		
V837067970	8-24	V837070137	8-6		
V837069001	8-14	V837070147	8-3		
V837069002	8-12	V837070148	8-12		
V837069003	8-12	V837070171	8-36		
V837069004	8-12	V837070179	8-6		
V837069005	8-12	V837070184	8-21		
V837069006	8-12	V837070185	8-10		
V837069007	8-23		8-50		
V837069009	8-31	V837070189	8-45		
V837069011	8-12	V837070194	8-14		
V837069013	8-12	V837070197	8-3		
V837069014	8-12	V837070198	8-45		
V837069015	8-12	V837070201	8-45		
V837069016	8-12	V837070209	8-45		
V837069017	8-12	V837070219	8-31		
V837069018	8-12	V837070223	8-33		
V837069019	8-12	V837070228	8-31		
V837069020	8-12	V837070249	8-23		
V837069021	8-14	V837070252	8-33		
V837069022	8-14	V837070253	8-33		
V837069023	8-12	V837070255	8-23		
V837069024	8-14	V837070258	8-23		
V837069025	8-14	V837070277	8-23		
V837069026	8-14	V837070285	8-3		
V837069027	8-23	V837070286	8-3		
V837069032	8-23	V837070290	8-14		
V837069047	8-31	V837070292	8-45		
V837069050	8-23	V837070314	8-23		
V837069052	8-3	V837070328	8-31		
V837069056	8-3	V837070343	8-14		
V837069057	8-3	V837070346	8-14		
V837069060	8-10	V837070381	8-24		
V837069069	8-6	V862960589X	8-1		
V837069070	8-6	V862960591X	8-1		
V837069076	8-21	V865261376X	8-1		
V837069077	8-21	V865261476X	8-1		
V837069078	8-21	V886325175	8-35		
V837069085	8-12		8-36		
V837069088	8-10		8-46		
V837069146	8-23				
V837069147	8-23				



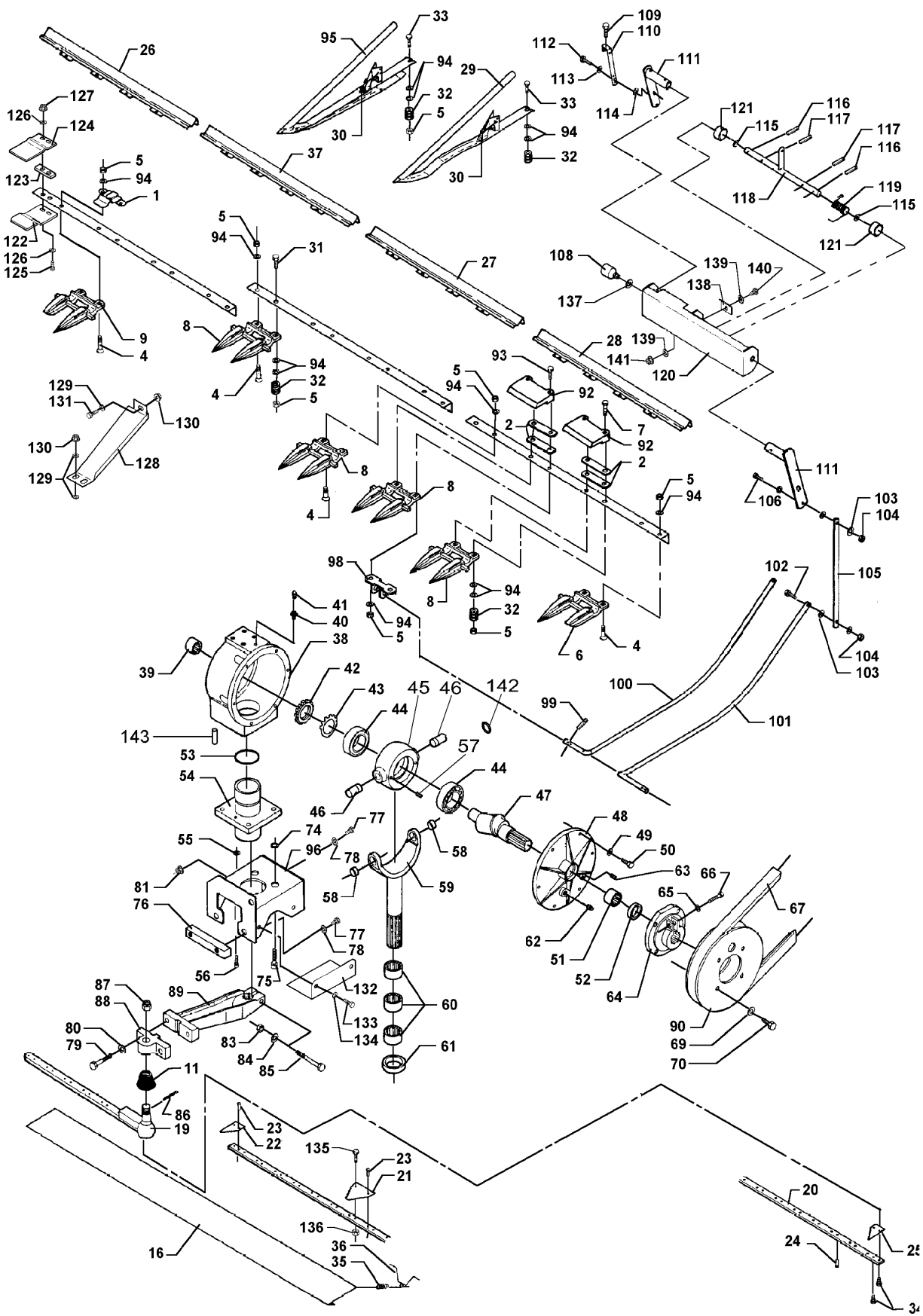
D-ZAZA-009-B

1	D28283934	20' - 6,16M	19	CLIP	PATTE D'ATTACHE	SCHELLE	CLIP
1	D28283934	22' - 6,77M	21	CLIP	PATTE D'ATTACHE	SCHELLE	CLIP
2	D28230292		4	SHIM	CALE REGLAGE	AUSGLEICHSCHEIBE	CALCE
4	D40551500		X	BOLT	BOULON	BOLZEN	BULON
5	339402X1	M10	X	NUT SPECIAL	ECROU SPECIAL	SPEZIALMUTTER	TUERCA ESPECIAL
6	D44104700	◀	1	FINGER	DOIGT	FINGER	DEDO
7	D40067600		X	SCREW	VIS	SCHRAUBE	TORNILLO
8	D44104500	20' - 6,16M	39	FINGER	DOIGT	FINGER	DEDO
8	D44104500	22' - 6,77M	43	FINGER	DOIGT	FINGER	DEDO
9	D44104600	▶	1	FINGER	DOIGT	FINGER	DEDO
11	D44120500		1	CAP	CHAPEAU	KAPPE	TAPA
16	D28230830	22' - 6,77M	2	GUARD	GARDE	SCHUTZVORR	DEFENSA
16	D28230831	20' - 22' 6,16M - 6,77M	1	GUARD	GARDE	SCHUTZVORR	DEFENSA
16	D28200314	20' - 6,16M	1	GUARD	GARDE	SCHUTZVORR	DEFENSA
16	D28200738	20' - 6,16M	1	GUARD	GARDE	SCHUTZVORR	DEFENSA
19	D28283010	20' - 6,16M	2	KNIFE BACK	BARRE DE COUPE	MESSERRUECKEN	DORSO CUCHILLA
19	D28283865	22' - 6,77M	2	BLADE	LAME	KLINGE	HOJA CORTANTE
19	D28283011		2	TOGGLE	ROTULE	GELENKZAPFEN	ROTULA
20	D28281492	20' - 6,16M	2	KNIFE BACK	BARRE DE COUPE	MESSERRUECKEN	DORSO CUCHILLA
20	D28281493	22' - 6,77M	2	KNIFE BACK	BARRE DE COUPE	MESSERRUECKEN	DORSO CUCHILLA
21	D44103700	[D]	X	SECTION	SECTION	ABSCHNITT	SECCION
22	D44103800		2	HALF SECTION	DEMI SECTION	ABSCHLUSSBLECH	MEDIA SECCION
23	D41306100	[D]	X	RIVET	RIVET	NIET	REMACHE
24	D41306200	[D]	X	RIVET	RIVET	NIET	REMACHE
25	D44104000	▶	2	HALF SECTION	DEMI SECTION	ABSCHLUSSBLECH	MEDIA SECCION
26	D58283701		1	STONE TRAP	BAC A PIERRES	STEIN-FALLE	TRAMPA P.PIEDRAS
27	D58283705	22' - 6,77M	1	STONE TRAP	BAC A PIERRES	STEIN-FALLE	TRAMPA P.PIEDRAS
27	D58283706	20' - 6,16M	1	STONE TRAP	BAC A PIERRES	STEIN-FALLE	TRAMPA P.PIEDRAS
28	D58283702		1	STONE TRAP	BAC A PIERRES	STEIN-FALLE	TRAMPA P.PIEDRAS
29	D49040900		X	EAR LIFTER	RELEVEUR EPIS	AEHRENHEBER	LEVANTAMIESES
30	D49040400		X	SPRING	RESSORT	FEDER	MUELLE
31	339019X1	M10 X 50	X	HEX. SOCK. SCREW	VIS TETE HEX	ZYLINDERSCHRAUBE	TORN.CAB.HUECA
32	D49040600		X	ROLLER	GALET	ROLLE	RODILLO
33	339019X1	M10 X 50	X	HEX. SOCK. SCREW	VIS TETE HEX	ZYLINDERSCHRAUBE	TORN.CAB.HUECA
34	339560X1	M6 X 16	2	HEX. SOCK. SCREW	VIS TETE HEX	ZYLINDERSCHRAUBE	TORN.CAB.HUECA
35	D26500317	16	2	SPRING	RESSORT	FEDER	MUELLE
36	D28230841	16	2	SPRING	RESSORT	FEDER	MUELLE
37	D58283704	22' - 6,77M	1	STONE TRAP	BAC A PIERRES	STEIN-FALLE	TRAMPA P.PIEDRAS
38	D28281324	[B] Cpl.	1	WOBBLE DRIVE	BOITIER COMMANDE	TAUMELANTRIEB	MANDO OSCILANTE
38	D44127800	38 [B]	1	BOX	BOITE	DOSE	CAJA
38	D28281324	38 [C] Cpl.	1	WOBBLE DRIVE	BOITIER COMMANDE	TAUMELANTRIEB	MANDO OSCILANTE
38	D44126500	38 [C]	1	BOX	BOITE	DOSE	CAJA
39	D44128800	38	1	BEARING NEEDLE	ROULEMENT AIGUIL	NADELLAGER	COJINETA AGUJAS
40	D44129400	38	1	CONNECTOR	BORNE.	DOPPELNIPPEL	CONECTOR
41	D46116500	38	1	VALVE	SOUPAPE	VENTIL	VALVULA
42	D44129100	38	1	NUT	ECROU	MUTTER	TUERCA
43	D44129200	38	1	WASHER	RONDELLE	SCHEIBE	ARANDELA
44	D41668400	38	2	ROLLER BEARING	ROULEMENT GALETS	ROLLENLAGER	COJINETE RODILLO
45	D44127900	38 [B]	1	HOUSING	CARTER	GEHAEUSE	ALOJAMIENTO
45	D44126400	38 [C]	1	HOUSING	CARTER	GEHAEUSE	ALOJAMIENTO
46	D44128000	38 [B]	2	JOURNAL	TENON	LAGERZAPFEN	GORRON
46	D44125900	38 [C]	1	JOURNAL	TENON	LAGERZAPFEN	GORRON
47	D44129300	38	1	SHAFT	ARBRE	WELLE	ARBOL
48	D44128200	38 [B]	1	COVER	COUVERCLE	ABDECKUNG.	CUBIERTA
48	D44126300	38 [C]	1	COVER	COUVERCLE	ABDECKUNG.	CUBIERTA
49	D41102100	38	6	WASHER	RONDELLE	SCHEIBE	ARANDELA
50	339123X1	38 M8 X 20	6	HEX. SOCK. SCREW	VIS TETE HEX	ZYLINDERSCHRAUBE	TORN.CAB.HUECA
51	D41669700	38	1	BEARING NEEDLE	ROULEMENT AIGUIL	NADELLAGER	COJINETA AGUJAS
52	D45412000	38	1	GASKET	JOINT	FLACHDICHTUNG	JUNTA PLANA
53	D45481500	38	1	O RING	JOINT TORIQUE	O-RING	JUNTA TOROIDAL
54	D44128300	38 [B]	1	BEARING CARRIER	PALIER	LAGER GEHAEUSE	COJINETE APOYO
54	D44126200	38 [C]	1	BEARING CARRIER	PALIER	LAGER GEHAEUSE	COJINETE APOYO
55	D41102100	38	2	WASHER	RONDELLE	SCHEIBE	ARANDELA
56	D40697200	38 [B]	2	SCREW	VIS	SCHRAUBE	TORNILLO
56	D40697700	38 [C]	2	SCREW	VIS	SCHRAUBE	TORNILLO
57	D40639600	38 [B]	2	PIN	GOUPILLE	STIFT	PASADOR
58	D44128400	38 [B]	2	BUSH	BAGUE	RING	CASQUILLO
58	D44126100	38 [C]	2	BUSH	BAGUE	RING	CASQUILLO
59	D44128500	38 [B]	1	YOKE	CHAPE ARTICULAT	GELENKGABEL	YUGO
59	D44126000	38 [C]	1	YOKE	CHAPE ARTICULAT	GELENKGABEL	YUGO
60	D41669800	38	3	BEARING NEEDLE	ROULEMENT AIGUIL	NADELLAGER	COJINETA AGUJAS
61	D45409500	38	1	GASKET	JOINT	FLACHDICHTUNG	JUNTA PLANA
62	D44128600	38	1	PLUG	BOUCHON	STOPFEN	TAPON
63	D45236200	38	1	PLUG	BOUCHON	STOPFEN	TAPON
64	D44127100	38	1	HUB	MOYEU	NABE	CUBO
65	D41100900	38	1	SPRING WASHER	RONDELLE ELASTIQ	FEDERSCHEIBE	ARANDELA ELASTI.
66	D40694000	38	1	SCREW	VIS	SCHRAUBE	TORNILLO



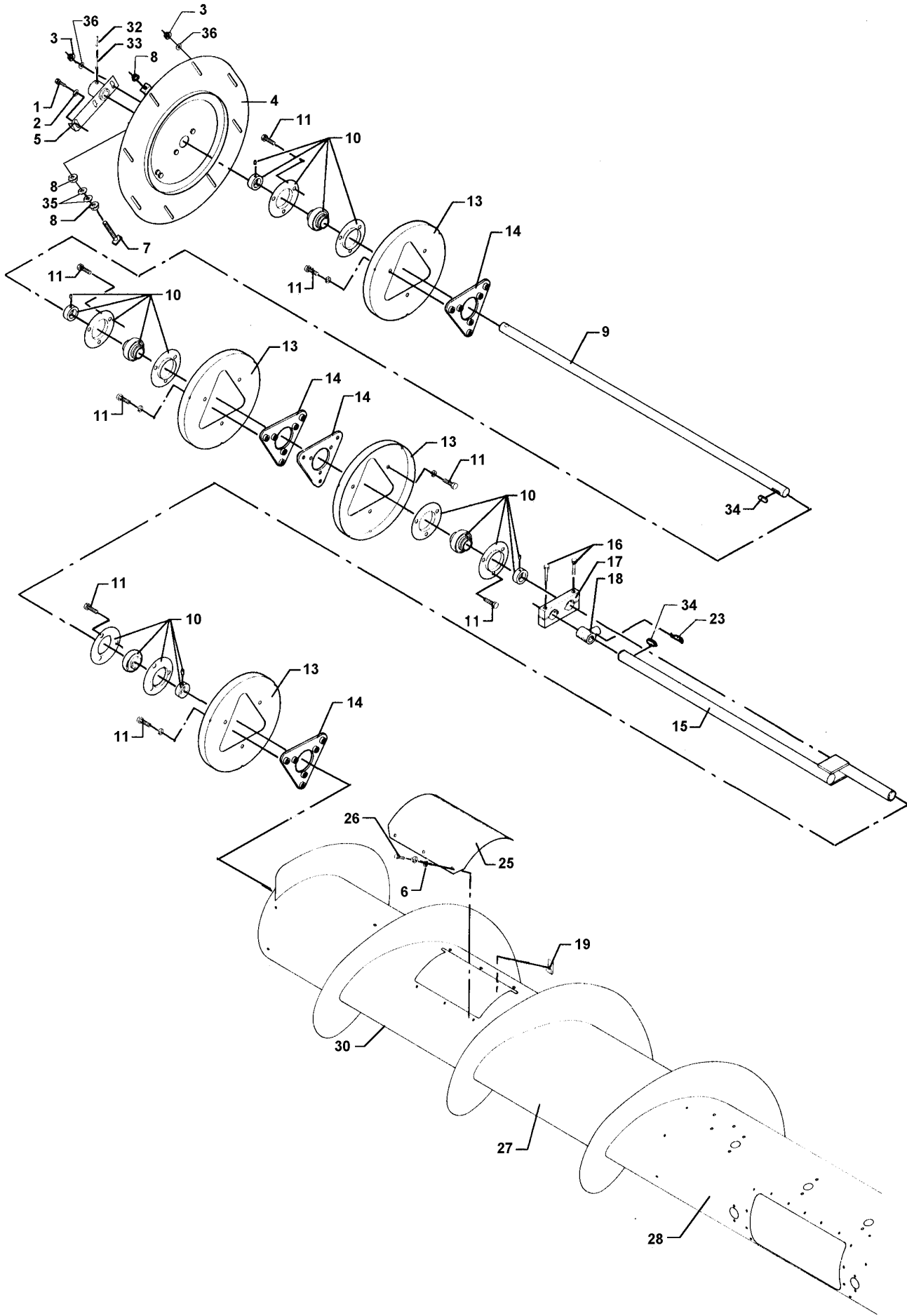
D-ZAZA-009-B

67	D41985600		1	BELT	COURROIE	RIEMEN	CORREA
69	D20400426		4	WASHER	RONDELLE	SCHEIBE	ARANDELA
70	1440716X1	M12 X 30	4	HEX. SOCK. SCREW	VIS TETE HEX	ZYLINDERSCHRAUBE	TORN.CAB.HUECA
74	D20400523		4	SPACER	ENTRETOISE	ABSTANDSTUECK	DISCO ESPACIADOR
75	D40465400		4	SCREW	VIS	SCHRAUBE	TORNILLO
76	D28283103		1	CLAMP	COLLIER	HALTESCHELLE	ABRAZADERA
77	390419X1	M16 X 40	5	HEX. SOCK. SCREW	VIS TETE HEX	ZYLINDERSCHRAUBE	TORN.CAB.HUECA
78	D20400461		5	WASHER	RONDELLE	SCHEIBE	ARANDELA
79	D40698400		2	SCREW	VIS	SCHRAUBE	TORNILLO
80	D20400438		2	WASHER	RONDELLE	SCHEIBE	ARANDELA
81	1442739X1	M16	2	LOCKNUT	ECROU FREIN	SICHERUNGSMUTTER	CONTRATUERCA
83	1442190X1	M12	1	LOCKNUT	ECROU FREIN	SICHERUNGSMUTTER	CONTRATUERCA
84	D20400428		1	WASHER	RONDELLE	SCHEIBE	ARANDELA
85	390826X1	M12 X 100	1	HEX. SOCK. SCREW	VIS TETE HEX	ZYLINDERSCHRAUBE	TORN.CAB.HUECA
86	391423X1	⊙ 4 X 40	1	SPLIT PIN	GOUPILLE FENDUE	SPALTBOLZEN	PASADOR HENDIDO
87	D41054300		1	NUT	ECROU	MUTTER	TUERCA
88	D44126900		1	FLANGE	FLASQUE	FLANSCH	PLETINA
89	D44127000		1	SWIVEL ARM	BRAS PIVOT	SCHWENKARM	BRAZO OSCILANTE
90	D44127200		1	PULLEY	POULIE	RIEMENSCHLEIBE	POLEA
92	D28260362		X	CLIP	PATTE D'ATTACHE	SHELLE	CLIP
93	1441671X1	M10 X 50	X	SCREW SPECIAL	VIS SPECIALE	SPEZIALSCHRAUBE	TORNILLO ESPEC.
94	D20400419		X	WASHER	RONDELLE	SCHEIBE	ARANDELA
95	D49040300		X	EAR LIFTER	RELEVEUR EPIS	AEHRENHEBER	LEVANTAMIESES
96	D28283109		1	SUPPORT	SUPPORT	TRAGER	SOPORTE
98	D28284356	[A]	4	FITTING	MONTAGE	ANSCHL.VERSCHRBG	ACCESORIO.
99	339662X1	[A] ⊙ 6 X 28	8	PIN	GOUPILLE	STIFT	PASADOR
100	D28284257	[A]	2	SENSOR	DETECTEUR	SENSOR	DETECTOR
101	D28284258	[A]	2	SENSOR	DETECTEUR	SENSOR	DETECTOR
102	D40405300	[A]	4	SCREW	VIS	SCHRAUBE	TORNILLO
103	D20400506	[A]	20	WASHER	RONDELLE	SCHEIBE	ARANDELA
104	394367X1	[A] M8	8	NUT	ECROU	MUTTER	TUERCA
105	D28284223	[A]	4	LINK	MAILLON	GLIED	ESLABON
106	339009X1	[A] M8 X 35	4	HEX. SOCK. SCREW	VIS TETE HEX	ZYLINDERSCHRAUBE	TORN.CAB.HUECA
108	D28780522	[A]	2	SUPPORT	SUPPORT	TRAGER	SOPORTE
109	D40464900	[A]	2	SCREW	VIS	SCHRAUBE	TORNILLO
110	D28780845	[A]	2	ROD	TRINGLE	STANGE	VARILLA
111	D28284225	AUTO LEVEL 22' - 6,77M	4	LEVER	LEVIER	HEBEL	PALANCA
111	D28284234	[A]	4	LEVER	LEVIER	HEBEL	PALANCA
112	339804X1	[A] M6 X 25	2	HEX. SOCK. SCREW	VIS TETE HEX	ZYLINDERSCHRAUBE	TORN.CAB.HUECA
113	D20400404	[A]	2	WASHER	RONDELLE	SCHEIBE	ARANDELA
114	1441462X1	[A] M6	2	LOCKNUT	ECROU FREIN	SICHERUNGSMUTTER	CONTRATUERCA
115	D28200551	[A]	4	WASHER	RONDELLE	SCHEIBE	ARANDELA
116	D42611900	[A]	8	PIN	GOUPILLE	STIFT	PASADOR
117	339052X1	[A] ⊙ 6 X 40	4	PIN	GOUPILLE	STIFT	PASADOR
118	D28284232	[A]	2	SHAFT	ARBRE	WELLE	ARBOL
119	D28284389	[A]	2	SPRING	RESSORT	FEDER	MUELLE
120	D28284229	AUTO LEVEL 22' - 6,77M	2	SUPPORT	SUPPORT	TRAGER	SOPORTE
121	D28284456	[A]	4	BUSH	BAGUE	RING	CASQUILLO
122	D28281576		1	PLATE	PLAQUE	PLATTE	PLATO
123	D28281575		1	SHIM	CALE REGLAGE	AUSGLEICHSCHEIBE	CALCE
124	D28281574		1	PLATE	PLAQUE	PLATTE	PLATO
125	339010X1	M8 X 40	2	HEX. SOCK. SCREW	VIS TETE HEX	ZYLINDERSCHRAUBE	TORN.CAB.HUECA
126	D20400506		2	WASHER	RONDELLE	SCHEIBE	ARANDELA
127	394367X1	M8	2	NUT	ECROU	MUTTER	TUERCA
128	D58281572		1	GUARD	GARDE	SCHUTZVORR	DEFENSA
129	D20400506		3	WASHER	RONDELLE	SCHEIBE	ARANDELA
130	D41017500		3	LOCKNUT	ECROU FREIN	SICHERUNGSMUTTER	CONTRATUERCA
131	339761X1	M8 X 25	1	HEX. SOCK. SCREW	VIS TETE HEX	ZYLINDERSCHRAUBE	TORN.CAB.HUECA
132	D28281706		1	GUARD	GARDE	SCHUTZVORR	DEFENSA
133	339124X1	M8 X 16	2	HEX. SOCK. SCREW	VIS TETE HEX	ZYLINDERSCHRAUBE	TORN.CAB.HUECA
134	D20400506		2	WASHER	RONDELLE	SCHEIBE	ARANDELA
135	339560X1	M6 X 16	X	HEX. SOCK. SCREW	VIS TETE HEX	ZYLINDERSCHRAUBE	TORN.CAB.HUECA
136	1441462X1	M6	X	LOCKNUT	ECROU FREIN	SICHERUNGSMUTTER	CONTRATUERCA
137	D20400441		1	WASHER	RONDELLE	SCHEIBE	ARANDELA
138	D28284268		2	STOP	BUTEE	ANSCHLAG	PARO
139	D20400416		4	WASHER	RONDELLE	SCHEIBE	ARANDELA
140	339123X1	M8 X 20	2	HEX. SOCK. SCREW	VIS TETE HEX	ZYLINDERSCHRAUBE	TORN.CAB.HUECA
141	394367X1	M8	2	NUT	ECROU	MUTTER	TUERCA
142	D45483000	[C]	1	O RING	JOINT TORIQUE	O-RING	JUNTA TOROIDAL
143*	D42650400		2	PIN	GOUPILLE	STIFT	PASADOR



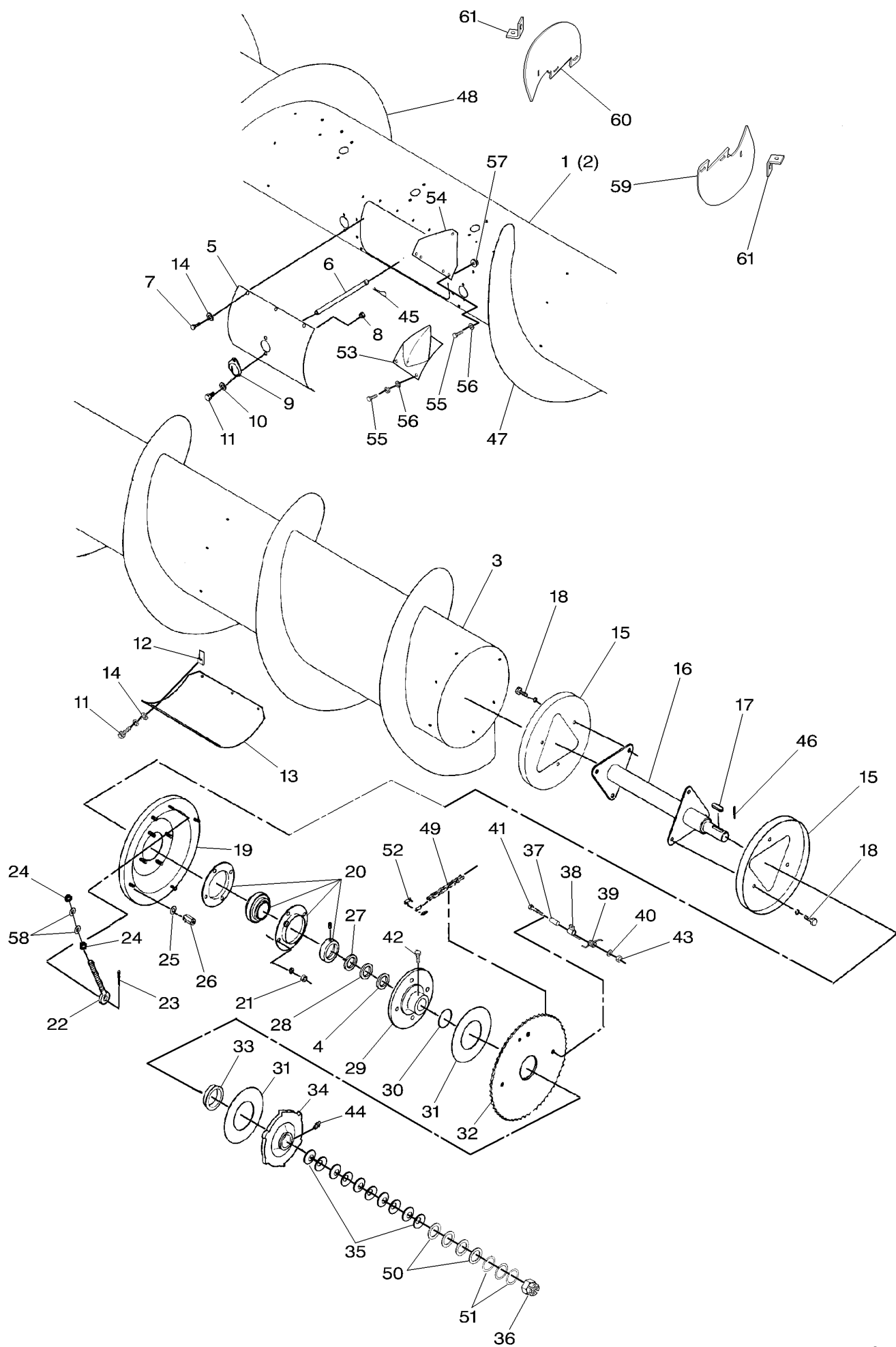
D-ZAZA-009-B

-
- [A] OPTIONAL EQUIPMENT AUTO LEVEL
ACCESSOIRE, AUTO LEVEL
SONDERAUSR ST. AUTO LEVEL
EQUIPO OPCIONAL AUTO LEVEL
- [B] USED ONLY IN KNIFE DRIVES WITH 6 HOLES IN BEARING HOUSING BOTTOM
UTILISER SEULEMENT AUX TRANSMISSIONS DE LAME A 6 TROUS PERCES AU FOND DU PALIER
NUR IN MESSERANTRIEBEN MIT 6 LOCHERN AM LAGERGEHAUSEBODEN VERWENDET
UTILIZAR SOLAMENTE A LAS TRANSMISIONES DE LAMINADO A 6 HOYOS PERFORADOS EN EL FONDO DEL
DESCANSILLO
- [C] USED ONLY IN KNIFE DRIVES WITH 8HOLES IN BEARING HOUSING BOTTOM AND BULGES SIDES
UTILISER SEUL. AUX TRANSMIS DE LAMES A 8 TROUS PERCES AU FOND PALIER ET CONV. COTES
NUR IN MESSERANTRIEBEN MIT 8 LOCHERN AM LAGERGEHAU UND AUSBAU. AN DEN SEITEN VERWENDET
UTILIZAR SOLO A LAS TRANSISIONES DE LAMAS A 8 HOYO S PERFORADOS AL FONDO DESCANSILLO Y CONV.
- [D] OPTIONAL
EN OPTION
WAHLWEISE
OPCIONAL



D-ZAZB-004-A

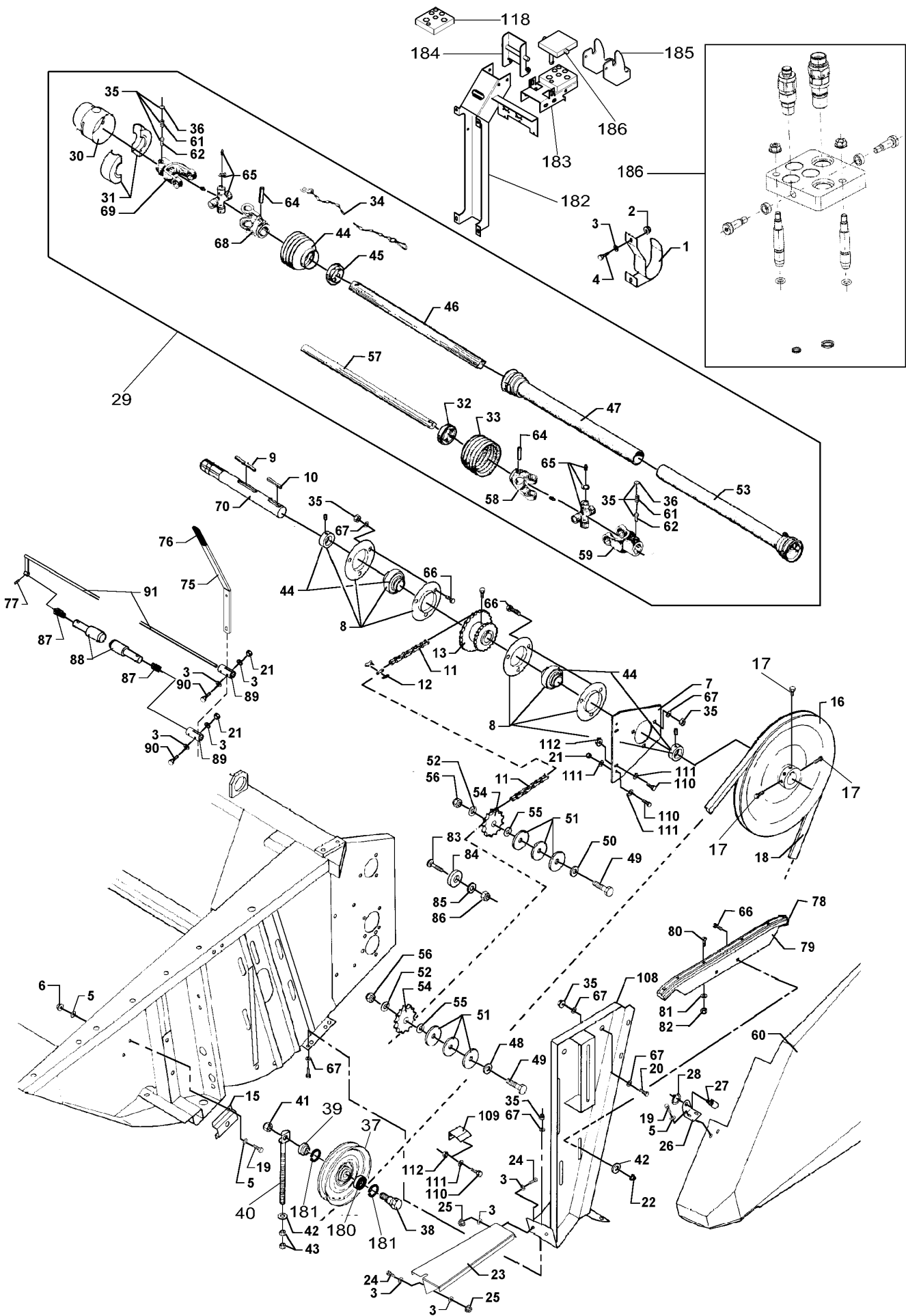
1	339124X1	M8 X 16	1	HEX. SOCK. SCREW	VIS TETE HEX	ZYLINDERSCHRAUBE	TORN.CAB.HUECA
2	D20400506		1	WASHER	RONDELLE	SCHEIBE	ARANDELA
3	D41017500		10	LOCKNUT	ECROU FREIN	SICHERUNGSMUTTER	CONTRATUERCA
4	D18280040	▶	1	PLATE	PLAQUE	PLATTE	PLATO
5	D28283029		1	ADJUSTER	REGLEUR	EINSTELLVORR	AJUSTADOR
6	391038X1		6	FLAT WASHER	RONDELLE PLATE	UNTERLEGSCHIEBEN	ARANDELA PLANA
7	D28211023		1	BOLT	BOULON	BOLZEN	BULON
8	1440329X1	M10	2	LOCKNUT	ECROU FREIN	SICHERUNGSMUTTER	CONTRATUERCA
9	D28284655	20' - 6,16M	1	SHAFT	ARBRE	WELLE	ARBOL
9	D28284661	22' - 6,77M	1	CRANKSHAFT	VILEBREQUIN	KURBELWELLE	CIGÜEÑAL
10	D41707800		4	BEARING	COUSSINET	LAGER	COJINETE
11	339814X1	M10 X 35	24	HEX. SOCK. SCREW	VIS TETE HEX	ZYLINDERSCHRAUBE	TORN.CAB.HUECA
13	D28280014		4	PLATE	PLAQUE	PLATTE	PLATO
14	D28283847		4	BEARING PLATE	PLAQUE ROULEMENT	LAGERPLATTE	PLACA DE APOYO
15	D28285977		1	CRANKSHAFT	VILEBREQUIN	KURBELWELLE	CIGÜEÑAL
16	3009498X1	M10 X 55	2	HEX. SOCK. SCREW	VIS TETE HEX	ZYLINDERSCHRAUBE	TORN.CAB.HUECA
17	D28283039		1	ARM	BRAS	SCHARHEBEL	BRAZO
18	D28251831		15	BEARING CARRIER	PALIER	LAGER GEHAEUSE	COJINETE APOYO
19	D43428200	M6	6	NUT	ECROU	MUTTER	TUERCA
23	D28283853		15	HAIR PIN	EPINGLE	SICHERUNGSFEDER	RETENEDOR ELAST
25	D28285312		1	COVER	COUVERCLE	ABDECKUNG.	CUBIERTA
26	339666X1	M6 X 20	6	HEX. SOCK. SCREW	VIS TETE HEX	ZYLINDERSCHRAUBE	TORN.CAB.HUECA
27	D28285991	20' - 6,16M	1	TABLE AUGER	VIS ALIMENTATION	FRONTSCHNECKE	SINFIN MESA
27	D28285992	22' - 6,77M	1	TABLE AUGER	VIS ALIMENTATION	FRONTSCHNECKE	SINFIN MESA
28	D28283012		1	BODY	CORPS	RUMPF	CUERPO
30	D28286012	▶ 20' - 6,16M	1	BODY	CORPS	RUMPF	CUERPO
30	D28286013	▶ 22' - 6,77M	1	BODY	CORPS	RUMPF	CUERPO
32	1441645X1	⊘ 8 X 55	1	PIN	GOUPILLE	STIFT	PASADOR
33	D42625300	⊘ 13 X 56	1	PIN	GOUPILLE	STIFT	PASADOR
34	339441X1		2	KEY PARALLEL	CLAVETTE PARALEL	PASSFEDER	CHAVETA PLANA
35	D20400471		2	WASHER	RONDELLE	SCHEIBE	ARANDELA
36	D20400414		X	WASHER	RONDELLE	SCHEIBE	ARANDELA



D-ZAZC-008-A

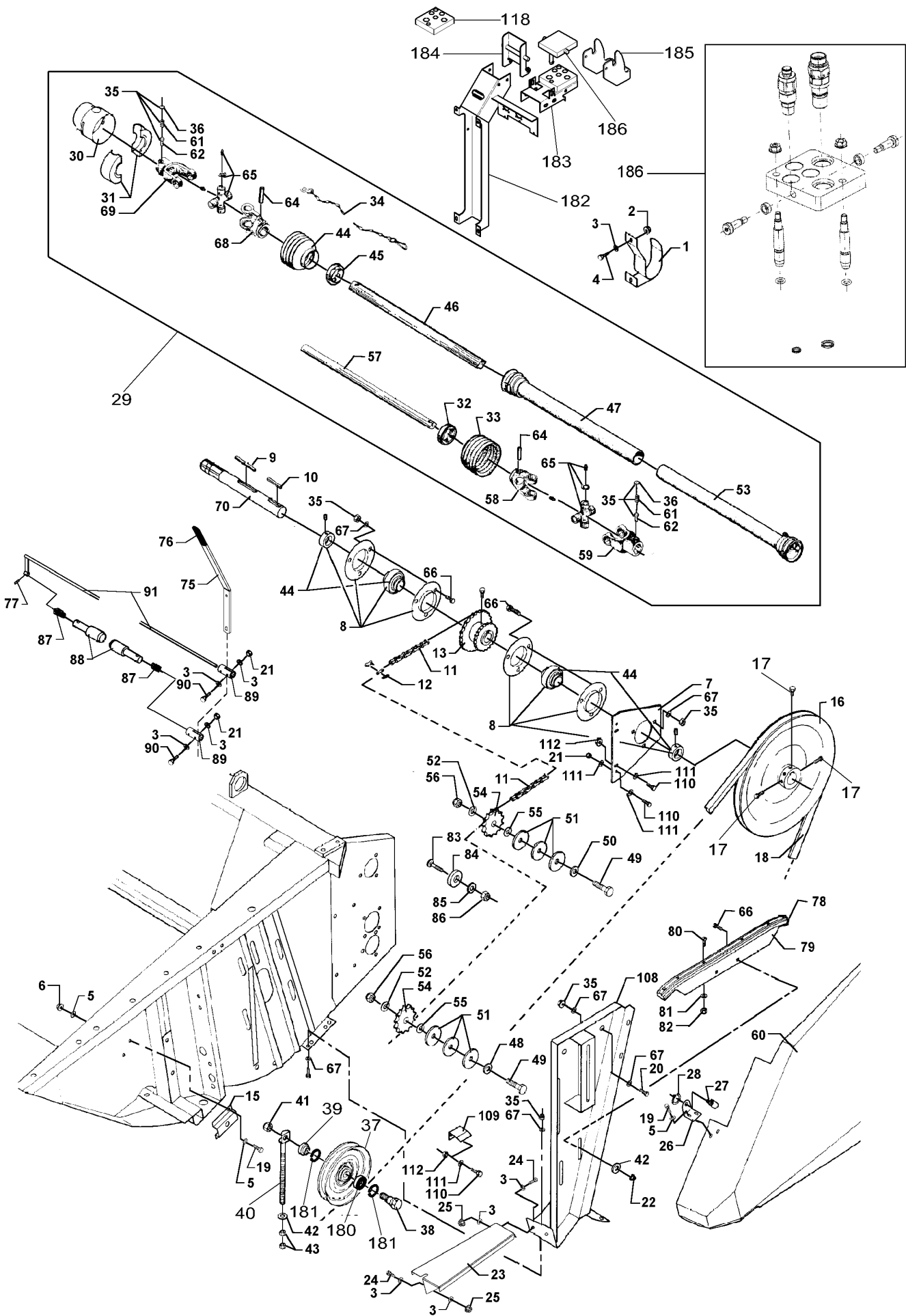
1	D28285991	20' - 6,16M	1	TABLE AUGER	VIS ALIMENTATION	FRONTSCHNECKE	SINFIN MESA
1	D28285992	22' - 6,77M	1	TABLE AUGER	VIS ALIMENTATION	FRONTSCHNECKE	SINFIN MESA
2	D28283012		1	BODY	CORPS	RUMPF	CUERPO
3	D28283875	◀ 22' - 6,77M	1	BODY	CORPS	RUMPF	CUERPO
3	D28286006	◀ 20' - 6,16M	1	BODY	CORPS	RUMPF	CUERPO
4	D41653500	[A]	X	WASHER	RONDELLE	SCHEIBE	ARANDELA
5	D58283078		1	COVER	COUVERCLE	ABDECKUNG.	CUBIERTA
6	D28283815		15	FINGER	DOIGT	FINGER	DEDO
7	339560X1	M6 X 16	X	HEX. SOCK. SCREW	VIS TETE HEX	ZYLINDERSCHRAUBE	TORN.CAB.HUECA
8	1441462X1	M6	X	LOCKNUT	ECROU FREIN	SICHERUNGSMUTTER	CONTRATUERCA
9	D28283060		15	BUSH	BAGUE	RING	CASQUILLO
10	D20400404		X	WASHER	RONDELLE	SCHEIBE	ARANDELA
11	339666X1	M6 X 20	X	HEX. SOCK. SCREW	VIS TETE HEX	ZYLINDERSCHRAUBE	TORN.CAB.HUECA
12	D43428200	M6	6	NUT	ECROU	MUTTER	TUERCA
13	D58285312		1	COVER	COUVERCLE	ABDECKUNG.	CUBIERTA
14	391038X1		6	FLAT WASHER	RONDELLE PLATE	UNTERLEGSCHEIBEN	ARANDELA PLANA
15	D28280014		2	PLATE	PLAQUE	PLATTE	PLATO
16	D28283007		1	DRIVE SHAFT	ARBRE DE CDE	ANTRIEBSWELLE	EJE MOTRIZ
17	D43106800		1	KEY	CLAVETTE	STELLKEIL	CHAVETA
18	3009491X1	M10 X 20	6	HEX. SOCK. SCREW	VIS TETE HEX	ZYLINDERSCHRAUBE	TORN.CAB.HUECA
19	D58283053		1	PLATE	PLAQUE	PLATTE	PLATO
20	D41716500		1	BEARING	COUSSINET	LAGER	COJINETE
21	3009695X1	M12	4	NUT	ECROU	MUTTER	TUERCA
22	D28281387		1	SCREW	VIS	SCHRAUBE	TORNILLO
23	3000197X1	⊙ 4 X 35	1	SPLIT PIN	GOUPILLE FENDUE	SPALTBOLZEN	PASADOR HENDIDO
24	339402X1	M10	2	NUT SPECIAL	ECROU SPECIAL	SPEZIALMUTTER	TUERCA ESPECIAL
25	D20400415		4	WASHER	RONDELLE	SCHEIBE	ARANDELA
26	D28280729		4	NUT	ECROU	MUTTER	TUERCA
27	D41653500		X	WASHER	RONDELLE	SCHEIBE	ARANDELA
28	D41653500		4	WASHER	RONDELLE	SCHEIBE	ARANDELA
29	D28283004		1	WASHER	RONDELLE	SCHEIBE	ARANDELA
30	D45481600		1	O RING	JOINT TORIQUE	O-RING	JUNTA TOROIDAL
31	D45904300		2	FRICTION DISC	DISQUE FRICTION	REIBSCHEIBE	DISCO FRICCION
32	D28286047		1	SPROCKET	BARBOTIN	KETTENRAD	RUEDA DE CADENA
33	D28286049		1	INSERT	DOUILLE	EINSATZSTUECK	INSERCIION
34	D28286166		1	CLUTCH DISC	DISQUE EMBRAYAGE	KUPPLUNGSSSCHEIBE	DISCO DE EMBRAGU
35	D41112400		10	WASHER	RONDELLE	SCHEIBE	ARANDELA
36	D41054100		1	CATTLE NUT	ECROU A CRENEAU	KRONENMUTTER	TUERCA CON MUES.
37	D28281431	➔ 940222	1	SPACER	ENTRETOISE	ABSTANDSTUECK	DISCO ESPACIADOR
37	D28282429	➔ 941444	1	BUSH	BAGUE	RING	CASQUILLO
38	D28281432	➔ 941444	1	SUPPORT	SUPPORT	TRAGER	SOPORTE
38	D28282430	➔ 940222	1	DOG	CHIEN	KLAUE	PRISIONERO
39	D28283006	➔ 940222	1	SPRING	RESSORT	FEDER	MUELLE
39	D28282433	➔ 941444	1	SPRING	RESSORT	FEDER	MUELLE
40	390734X1	➔ 940222	1	FLAT WASHER	RONDELLE PLATE	UNTERLEGSCHEIBEN	ARANDELA PLANA
41	3009498X1	M10X55	1	HEX. SOCK. SCREW	VIS TETE HEX	ZYLINDERSCHRAUBE	TORN.CAB.HUECA
		➔ 940222					
42	339761X1	M8 X 25	1	HEX. SOCK. SCREW	VIS TETE HEX	ZYLINDERSCHRAUBE	TORN.CAB.HUECA
43	1440329X1	M10	1	LOCKNUT	ECROU FREIN	SICHERUNGSMUTTER	CONTRATUERCA
		➔ 940222					
44	1441858X1	M6	1	GREASE FITTING	GRAISSEUR	DRUCKSCHMIERKOPF	ENGRASADOR
45	D28283853		15	HAIR PIN	EPINGLE	SICHERUNGSFEDER	RETENEDOR ELAST
46	354066X1	5/32" X 1	1	SPLIT PIN	GOUPILLE FENDUE	SPALTBOLZEN	PASADOR HENDIDO
47	D28286019	20' - 6,16M	1	AUGER	VIS SANS FIN	FOERDERSCHNECKE	SINFIN
47	D28286021	22' - 6,77M	1	AUGER	VIS SANS FIN	FOERDERSCHNECKE	SINFIN
48	D28286018	20' - 6,16M	1	AUGER	VIS SANS FIN	FOERDERSCHNECKE	SINFIN
48	D28286020	22' - 6,77M	1	AUGER	VIS SANS FIN	FOERDERSCHNECKE	SINFIN
49	D42329300		1	CHAIN	CHAINE	KETTE	CADENA
50	D20400520		4	SPACER	ENTRETOISE	ABSTANDSTUECK	DISCO ESPACIADOR
51	D20400522		3	SPACER	ENTRETOISE	ABSTANDSTUECK	DISCO ESPACIADOR
52	D42365100		1	LINK	MAILLON	GLIED	ESLABON
53	D28283294		4	SPIKE	CLOU METAL	METALLENNAGEL	ESPIGON
54	D28281694	➔ 61489	4	THREADED PART	PIECE FILETEE	GEWINDESTUECK	VARILLA ROSCADO
55	339123X1	M8 X 20	20	HEX. SOCK. SCREW	VIS TETE HEX	ZYLINDERSCHRAUBE	TORN.CAB.HUECA
56	D20400506		20	WASHER	RONDELLE	SCHEIBE	ARANDELA
57	394367X1	M8	12	NUT	ECROU	MUTTER	TUERCA
58	D20400471		2	WASHER	RONDELLE	SCHEIBE	ARANDELA
59	D28285967		1	AUGER EXTENSION	EXT VIS SS FIN	SCHNECKEN-VERLG.	PROLONG.SINFIN
60	D28285968		1	AUGER EXTENSION	EXT VIS SS FIN	SCHNECKEN-VERLG.	PROLONG.SINFIN
61	D28285981		2	BRACKET	SUPPORT FIXATION	HALTEAM	SOPORTE

[A] OPTIONAL
 EN OPTION
 WAHLWEISE
 OPCIONAL



D-ZAZD-013-B

1	D58281345		1	STIRRUP	ETRIER	BUEGEL	FUACION
2	394367X1	M8	X	NUT	ECROU	MUTTER	TUERCA
3	D20400506		X	WASHER	RONDELLE	SCHEIBE	ARANDELA
4	339124X1	M8 X 16	X	HEX. SOCK. SCREW	VIS TETE HEX	ZYLINDERSCHRAUBE	TORN.CAB.HUECA
5	391038X1		X	FLAT WASHER	RONDELLE PLATE	UNTERLEGSCHIEBEN	ARANDELA PLANA
6	1441462X1	M6	X	LOCKNUT	ECROU FREIN	SICHERUNGSMUTTER	CONTRATUERCA
7	D58283099		1	BEARING CARRIER	PALIER	LAGER GEHAEUSE	COJINETE APOYO
8	D41707800		2	BEARING	COUSSINET	LAGER	COJINETE
9	D43114900		1	KEY	CLAVETTE	STELLKEIL	CHAVETA
10	1441579X1		1	KEY PARALLEL	CLAVETTE PARALEL	PASSFEDER	CHAVETA PLANA
11	D42329300		1	CHAIN	CHAINE	KETTE	CADENA
12	D42365100		1	LINK	MAILLON	GLIED	ESLABON
13	D28280225		1	SPROCKET	BARBOTIN	KETTENRAD	RUEDA DE CADENA
15	D28281578		1	RETAINER	RETENEUR	HALTERING	RETENEDOR
16	D28285423		1	PULLEY	POULIE	RIEMENSCHLEIFE	POLEA
17	D40697900		3	SCREW	VIS	SCHRAUBE	TORNILLO
18	D41985600		1	BELT	COURROIE	RIEMEN	CORREA
19	339666X1	M6 X 20	X	HEX. SOCK. SCREW	VIS TETE HEX	ZYLINDERSCHRAUBE	TORN.CAB.HUECA
20	3009492X1	M10 X 25	4	HEX. SOCK. SCREW	VIS TETE HEX	ZYLINDERSCHRAUBE	TORN.CAB.HUECA
21	394367X1	M8	X	NUT	ECROU	MUTTER	TUERCA
22	1440329X1	M10	X	LOCKNUT	ECROU FREIN	SICHERUNGSMUTTER	CONTRATUERCA
23	D28281570		1	PLATE	PLAQUE	PLATTE	PLATO
24	339761X1	M8 X 25	3	HEX. SOCK. SCREW	VIS TETE HEX	ZYLINDERSCHRAUBE	TORN.CAB.HUECA
25	394367X1	M8	3	NUT	ECROU	MUTTER	TUERCA
26	D28281577		1	ANGLE.	EQUERRE.	WINKEL	ANGULO
27	D43427500		1	PIN	GOUPILLE	STIFT	PASADOR
28	1440988X1		1	SNAPRING	SEGMENT ARRET	SPRENGRING	ANILLA RETENCION
29	D45609100	20' - 6,16M ➡ 942481	1	SHAFT	ARBRE	WELLE	ARBOL
29	D28273974	20' - 6,16M ➡ 942482 WWHU	1	SHAFT	ARBRE	WELLE	ARBOL
29	D45609300	22' - 6,77M ➡ 942481	1	SHAFT	ARBRE	WELLE	ARBOL
29	D28273973	22' - 6,77M ➡ 942482 WWHU	1	SHAFT	ARBRE	WELLE	ARBOL
30	D45632900		1	BUSH	BAGUE	RING	CASQUILLO
31	D45633000		1	RING	ANNEAU	RING.	ANILLO
32	D45630700		1	RING	ANNEAU	RING.	ANILLO
33	D45630500		1	GUARD	GARDE	SCHUTZVORR	DEFENSA
34	D45681800		2	CHAIN	CHAINE	KETTE	CADENA
35	D45632400		2	TUBE	TUBE	ROHR	TUBO.
36	D45645700		2	WASHER	RONDELLE	SCHEIBE	ARANDELA
37	D28760574		1	PULLEY	POULIE	RIEMENSCHLEIFE	POLEA
38	D28760156		1	SCREW	VIS	SCHRAUBE	TORNILLO
39	D28760155		1	BUSH	BAGUE	RING	CASQUILLO
40	D28260181		1	BOLT	BOULON	BOLZEN	BULON
41	1442739X1	M16	X	LOCKNUT	ECROU FREIN	SICHERUNGSMUTTER	CONTRATUERCA
42	D20400416		X	WASHER	RONDELLE	SCHEIBE	ARANDELA
43	339402X1	M10	X	NUT SPECIAL	ECROU SPECIAL	SPEZIALMUTTER	TUERCA ESPECIAL
44	D45630400		1	GUARD	GARDE	SCHUTZVORR	DEFENSA
45	D45630600		1	RING	ANNEAU	RING.	ANILLO
46	D45631100	20' - 6,16M	1	TUBE	TUBE	ROHR	TUBO.
46	D45633700	22' - 6,77M	1	TUBE	TUBE	ROHR	TUBO.
47	D45631900	20' - 6,16M	1	TUBE	TUBE	ROHR	TUBO.
47	D45633900	22' - 6,77M	1	TUBE	TUBE	ROHR	TUBO.
48	D28181284		1	WASHER	RONDELLE	SCHEIBE	ARANDELA
49	391889X1	M16 X 70	2	HEX. SOCK. SCREW	VIS TETE HEX	ZYLINDERSCHRAUBE	TORN.CAB.HUECA
50	D20400463		1	WASHER	RONDELLE	SCHEIBE	ARANDELA
51	D20400460		6	WASHER	RONDELLE	SCHEIBE	ARANDELA
52	D20400459		2	WASHER	RONDELLE	SCHEIBE	ARANDELA
53	D45632300		1	TUBE	TUBE	ROHR	TUBO.
54	D41716800		2	TIGHTENER	TENSEUR	SPANNROLLE	TENSADOR
55	D20400516	[A]	X	SPACER	ENTRETOISE	ABSTANDSTUECK	DISCO ESPACIADOR
56	1442739X1	M16	2	LOCKNUT	ECROU FREIN	SICHERUNGSMUTTER	CONTRATUERCA
57	D45631500		1	TUBE	TUBE	ROHR	TUBO.
58	D45630100		1	YOKE	CHAPE ARTICULAT	GELENKGABEL	YUGO
59	D45633200		1	YOKE	CHAPE ARTICULAT	GELENKGABEL	YUGO
60	D58281583		1	GUARD	GARDE	SCHUTZVORR	DEFENSA
61	D45667300		2	SPRING	RESSORT	FEDER	MUELLE
62	D45665300		2	PIN	GOUPILLE	STIFT	PASADOR
64	D42619100		2	PIN	GOUPILLE	STIFT	PASADOR
65	D45630300		2	HUB	MOYEU	NABE	CUBO
66	1442456X1	M10 X 30	8	SCREW SPECIAL	VIS SPECIALE	SPEZIALSCHRAUBE	TORNILLO ESPEC.
67	D20400419		X	WASHER	RONDELLE	SCHEIBE	ARANDELA
68	D45630200		1	YOKE	CHAPE ARTICULAT	GELENKGABEL	YUGO
69	D45633100		1	YOKE	CHAPE ARTICULAT	GELENKGABEL	YUGO
70	D28284404		1	SHAFT	ARBRE	WELLE	ARBOL
75	D28285536		1	LEVER	LEVIER	HEBEL	PALANCA
76	D43484900		1	LEVER	LEVIER	HEBEL	PALANCA
77	D42612200		X	PIN	GOUPILLE	STIFT	PASADOR

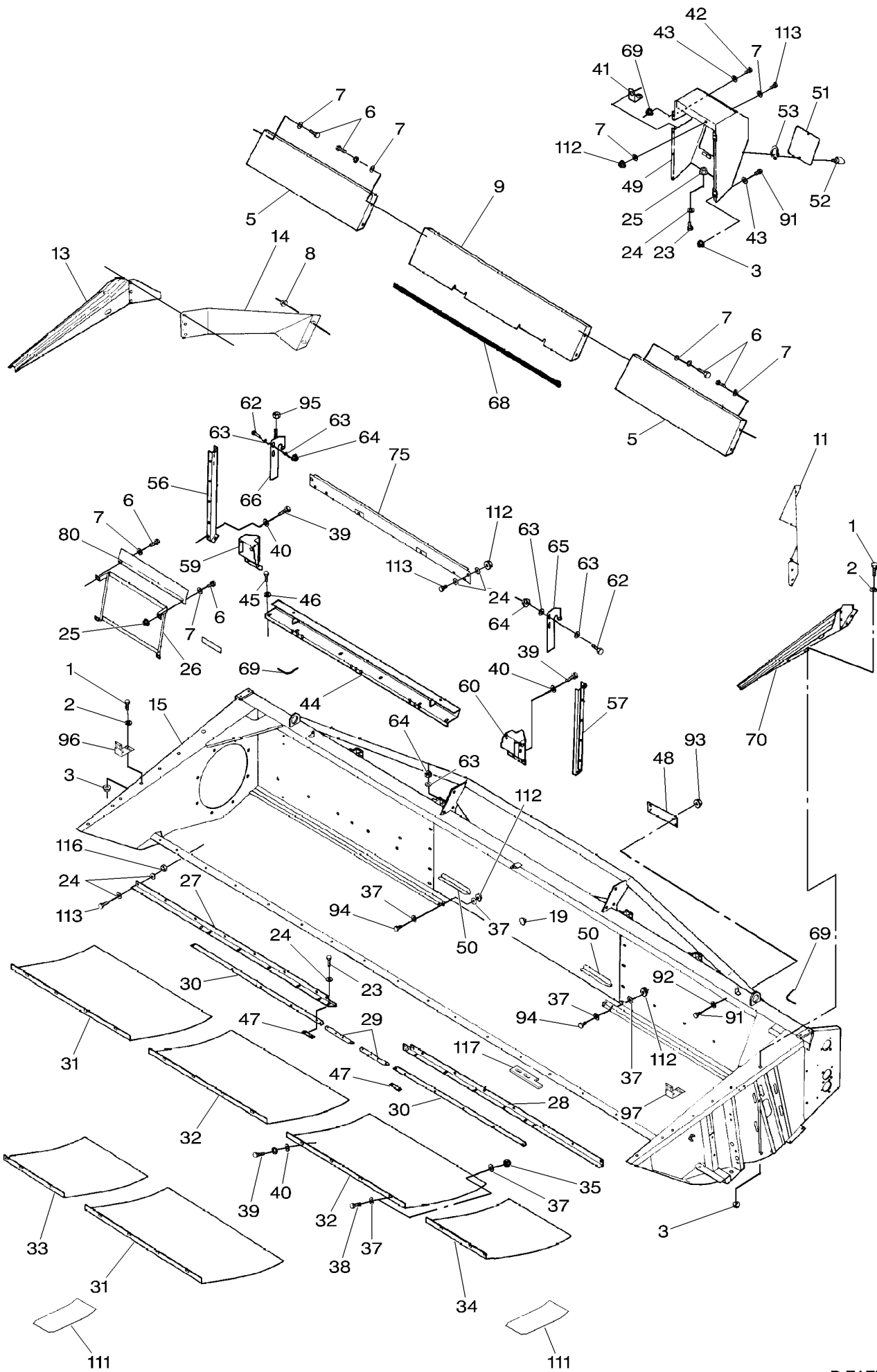


D-ZAZD-013-B

78	D28280787		1	RAIL	RAIL	SCHIENE	RIEL
79	D28281365		1	CROSSMEMBER	POUTRE TRANSVERS	QUERSTREBE	TRAVESANO
80	D40609300		6	SCREW	VIS	SCHRAUBE	TORNILLO
81	D20400466		6	WASHER	RONDELLE	SCHEIBE	ARANDELA
82	D41087200	M4	6	LOCKNUT	ECROU FREIN	SICHERUNGSMUTTER	CONTRATUERCA
83	D40073100		1	SCREW	VIS	SCHRAUBE	TORNILLO
84	D28280981		1	SPACER	ENTRETOISE	ABSTANDSTUECK	DISCO ESPACIADOR
85	D20400459		1	WASHER	RONDELLE	SCHEIBE	ARANDELA
86	1442739X1	M16	1	LOCKNUT	ECROU FREIN	SICHERUNGSMUTTER	CONTRATUERCA
87	D27100794		2	SPRING	RESSORT	FEDER	MUELLE
88	D28283200		1	SHAFT	ARBRE	WELLE	ARBOL
89	D28285535		2	FORK	FOURCHETTE	GABEL	HORQUILLA
90	339168X1	M8 X 50	X	HEX. SOCK. SCREW	VIS TETE HEX	ZYLINDERSCHRAUBE	TORN.CAB.HUECA
91	D28285531		1	JOURNAL	TENON	LAGERZAPFEN	GORRON
108	D28283090		1	PLATE	PLAQUE	PLATTE	PLATO
109	D58283098		1	FITTING	MONTAGE	ANSCHL.VERSCHRBG	ACCESORIO.
110	339123X1	M8 X 20	X	HEX. SOCK. SCREW	VIS TETE HEX	ZYLINDERSCHRAUBE	TORN.CAB.HUECA
111	D20400506		X	WASHER	RONDELLE	SCHEIBE	ARANDELA
112	394367X1	M8	X	NUT	ECROU	MUTTER	TUERCA
118	D28285492		1	RUBBER PATCH	ELEMENT CAOUTCH.	GUMMILAPPEN	RUBBER PATCH
180	SKF62042RS		1	BEAR. 6204 2RS	RLT 6204 2RS	LAGER 6204 2RS	RODA. 6204 2RS
181	339199X1		2	CIRCLIP	CIRCLIP	SEEGERING	GRAPA CIRCULAR
182	D28285518		1	BRACKET	SUPPORT FIXATION	HALTEARM	SOPORTE
183	D28285519	CPL.	1	SUPPORT	SUPPORT	TRAGER	SOPORTE
184	D28285497		1	SUPPORT	SUPPORT	TRAGER	SOPORTE
185	D28285494		1	STIRRUP	ETRIER	BUEGEL	FUACION
186	D45140044	CPL.	1	CLUTCH	EMBRAYAGE	SCHALTKUPPLUNG	EMBRAGUE

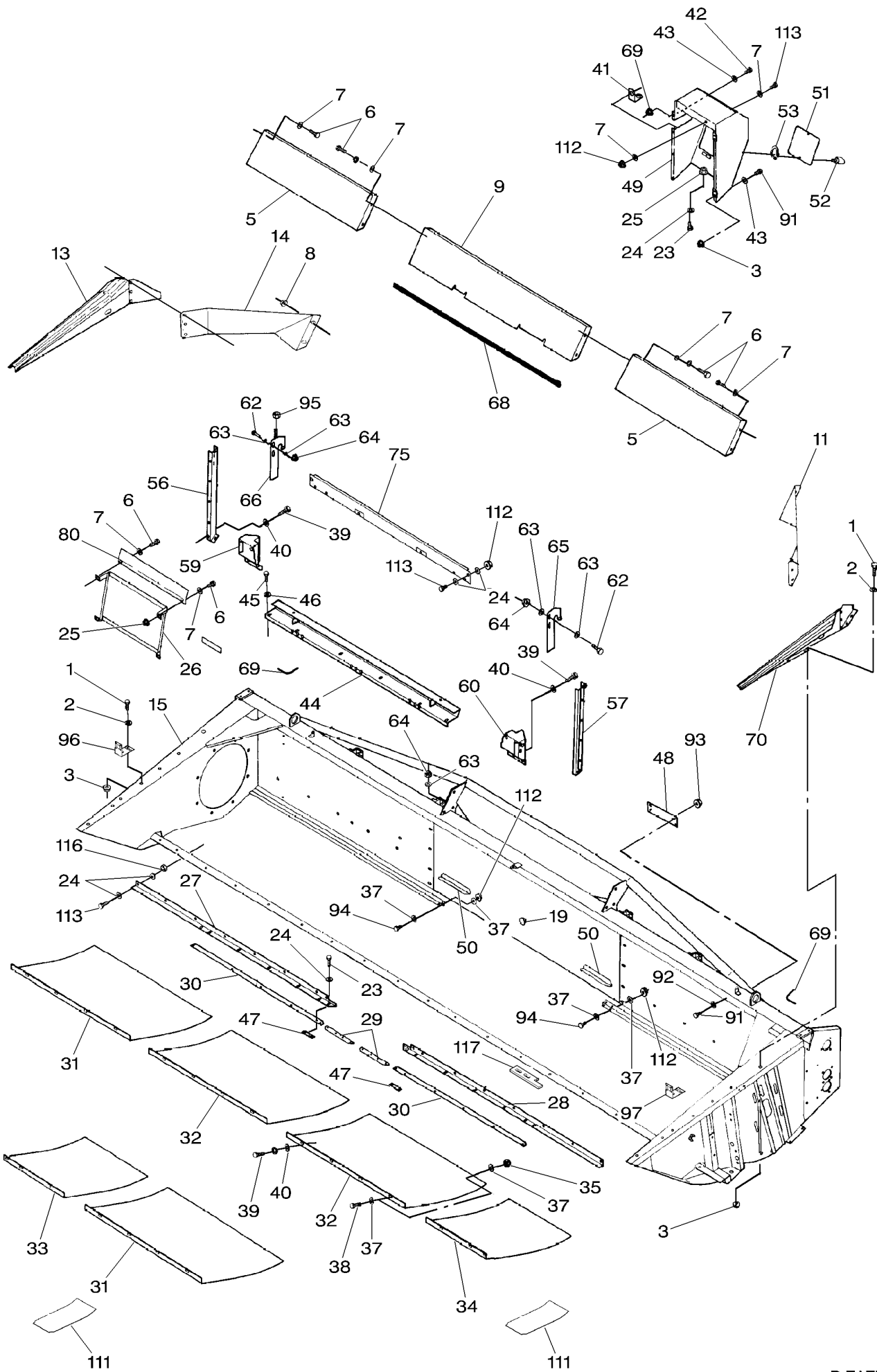
👁 1-33 No

IAI OPTIONAL
 EN OPTION
 WAHLWEISE
 OPCIONAL



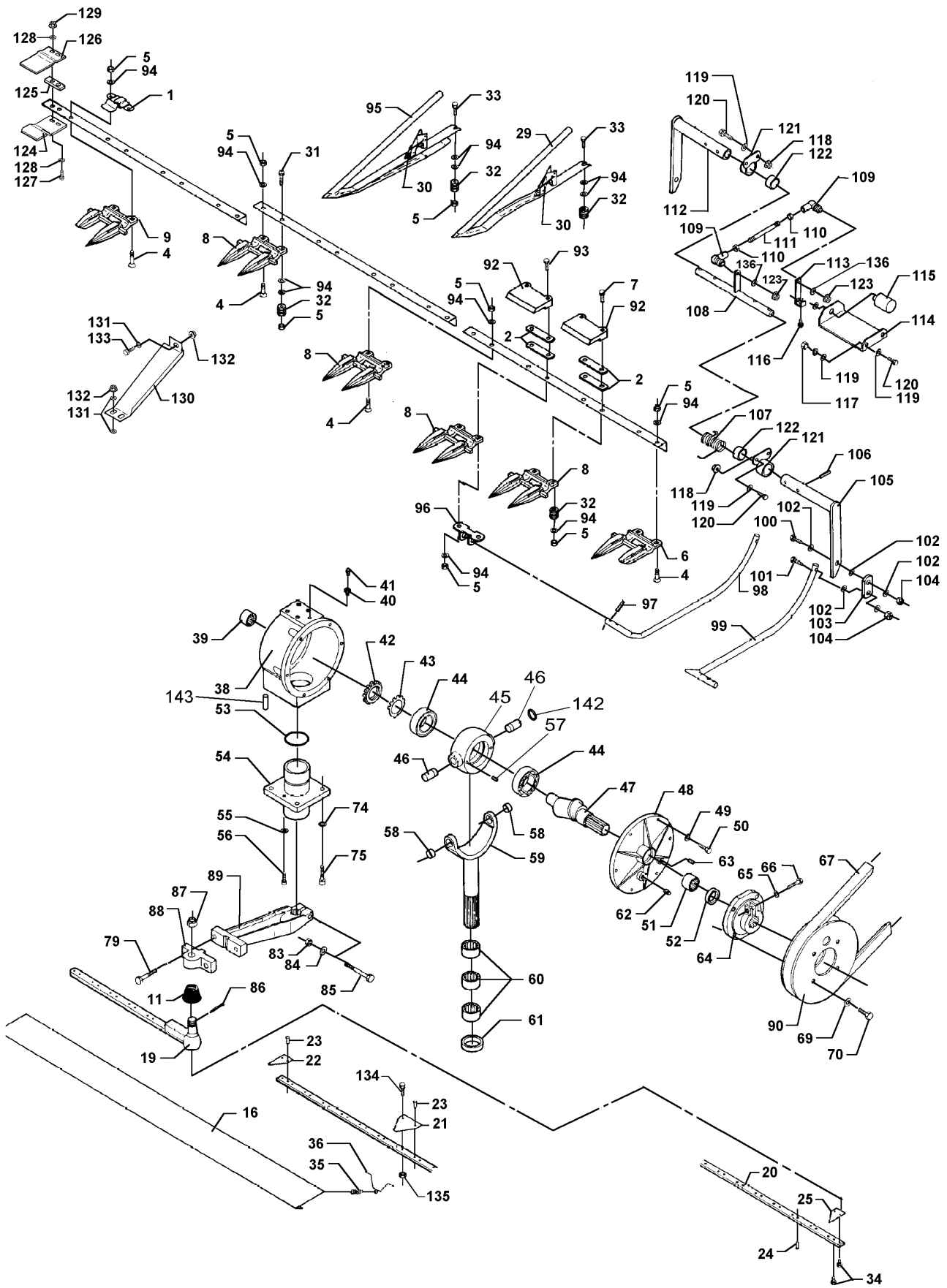
D-ZAZE-009-A

1	339560X1	M6 X 16	X	HEX. SOCK. SCREW	VIS TETE HEX	ZYLINDERSCHRAUBE	TORN.CAB.HUECA
2	391038X1		X	FLAT WASHER	RONDELLE PLATE	UNTERLEGSCHIEBEN	ARANDELA PLANA
3	1441462X1	M6	X	LOCKNUT	ECROU FREIN	SICHERUNGSMUTTER	CONTRATUERCA
5	D58283238	20' - 6,16M	2	COWL	GARANT	AUFSATZ	CAPERUZA
5	D58283862	22' - 6,77M	2	COWL	GARANT	AUFSATZ	CAPERUZA
6	339123X1	M8 X 20	X	HEX. SOCK. SCREW	VIS TETE HEX	ZYLINDERSCHRAUBE	TORN.CAB.HUECA
7	D20400506		X	WASHER	RONDELLE	SCHEIBE	ARANDELA
8	394367X1	M8	X	NUT	ECROU	MUTTER	TUERCA
9	D58283236		1	COWL	GARANT	AUFSATZ	CAPERUZA
11	D58283233		1	COWL	GARANT	AUFSATZ	CAPERUZA
13	D58285507		1	SIDE	COTE	SEITEN	LATERAL
14	D58283232	▶	1	COWL	GARANT	AUFSATZ	CAPERUZA
15	D58286026	20' - 6,16M	1	TABLE	TABLE	TISCH	MESA
15	D58286027	22' - 6,77M	1	TABLE	TABLE	TISCH	MESA
19	D45745300		X	PLUG	BOUCHON	STOPFEN	TAPON
23	339123X1	M8 X 20	X	HEX. SOCK. SCREW	VIS TETE HEX	ZYLINDERSCHRAUBE	TORN.CAB.HUECA
24	D20400506		X	WASHER	RONDELLE	SCHEIBE	ARANDELA
25	394367X1	M8	X	NUT	ECROU	MUTTER	TUERCA
26	D58285263	22' - 6,77M	1	BRACKET	SUPPORT FIXATION	HALTEAMM	SOPORTE
26	D58285767	20' - 6,16M	1	BRACKET	SUPPORT FIXATION	HALTEAMM	SOPORTE
27	D28281806	20' - 6,16M	1	DEFLECTOR	DEFLECTEUR	ABWEISBLECH	DEFLECTOR
27	D28281808	▶ 22' - 6,77M	1	DEFLECTOR	DEFLECTEUR	ABWEISBLECH	DEFLECTOR
28	D28281805	20' - 6,16M	1	DEFLECTOR	DEFLECTEUR	ABWEISBLECH	DEFLECTOR
28	D28281807	◀ 22' - 6,77M	1	DEFLECTOR	DEFLECTEUR	ABWEISBLECH	DEFLECTOR
29	D28282634		2	RETAINER	RETENEUR	HALTERING	RETENEDOR
30	D28283324	20' - 6,16M	2	DEFLECTOR	DEFLECTEUR	ABWEISBLECH	DEFLECTOR
30	D28283861	22' - 6,77M	2	DEFLECTOR	DEFLECTEUR	ABWEISBLECH	DEFLECTOR
31	D28283256	20' - 6,16M	4	WEARPLATE	PLAQUE USURE	TRAGPLATTE	PLACA DE ROCE
31	D28283256	22' - 6,77M	3	WEARPLATE	PLAQUE USURE	TRAGPLATTE	PLACA DE ROCE
32	D28283255	22' - 6,77M	2	WEARPLATE	PLAQUE USURE	TRAGPLATTE	PLACA DE ROCE
33	D28283253	▶	1	WEARPLATE	PLAQUE USURE	TRAGPLATTE	PLACA DE ROCE
34	D28283254	◀	1	WEARPLATE	PLAQUE USURE	TRAGPLATTE	PLACA DE ROCE
35	394367X1	M8	X	NUT	ECROU	MUTTER	TUERCA
37	D20400506		X	WASHER	RONDELLE	SCHEIBE	ARANDELA
38	D40405300		X	SCREW	VIS	SCHRAUBE	TORNILLO
39	3009493X1	M10 X 30	X	HEX. SOCK. SCREW	VIS TETE HEX	ZYLINDERSCHRAUBE	TORN.CAB.HUECA
40	D20400419		X	WASHER	RONDELLE	SCHEIBE	ARANDELA
41	D58250648		1	CLIP	PATTE D'ATTACHE	SHELLE	CLIP
42	339666X1	M6 X 20	5	HEX. SOCK. SCREW	VIS TETE HEX	ZYLINDERSCHRAUBE	TORN.CAB.HUECA
43	D20400405		5	WASHER	RONDELLE	SCHEIBE	ARANDELA
44	D58285529		1	PROFILE	PROFIL	PROFIL	PERFIL
45	3009493X1	M10 X 30	8	HEX. SOCK. SCREW	VIS TETE HEX	ZYLINDERSCHRAUBE	TORN.CAB.HUECA
46	D20400415		8	WASHER	RONDELLE	SCHEIBE	ARANDELA
47	D28283321		4	CLAMP	COLLIER	HALTESCHELLE	ABRAZADERA
48	D58285613		1	COVER	COUVERCLE	ABDECKUNG.	CUBIERTA
49	D58284331		1	GUARD	GARDE	SCHUTZVORR	DEFENSA
50	D28283406		2	DEFLECTOR	DEFLECTEUR	ABWEISBLECH	DEFLECTOR
51	D58280958		1	COVER	COUVERCLE	ABDECKUNG.	CUBIERTA
52	D43427500		2	PIN	GOUPILLE	STIFT	PASADOR
53	1440988X1		2	SNAPRING	SEGMENT ARRET	SPRENGRING	ANILLA RETENCION
56	D58285775		1	SUPPORT	SUPPORT	TRAGER	SOPORTE
57	D58285776		1	SUPPORT	SUPPORT	TRAGER	SOPORTE
59	D58285752		1	BRACKET	SUPPORT FIXATION	HALTEAMM	SOPORTE
60	D58285756		1	BRACKET	SUPPORT FIXATION	HALTEAMM	SOPORTE
62	339881X1	M16 X 60	4	HEX. SOCK. SCREW	VIS TETE HEX	ZYLINDERSCHRAUBE	TORN.CAB.HUECA
63	D28181284		9	WASHER	RONDELLE	SCHEIBE	ARANDELA
64	1442739X1	M16	5	LOCKNUT	ECROU FREIN	SICHERUNGSMUTTER	CONTRATUERCA
65	D58285739		1	HOOK	CROCHET	HAKEN	GANCHO
66	D58285738		1	HOOK	CROCHET	HAKEN	GANCHO
68	D28283557		X	TENSIONER	TENDEUR	SPANNER	SENSOR
69	D28782178	◀▶ 5 M	X	SEAL SECTION	PROFIL ETANCH	DICHTPROFIL	PORTE DE RETEN
70	D58283938	◀	1	PLATE	PLAQUE	PLATTE	PLATO
75	D58285218	[A]	1	PLATE	PLAQUE	PLATTE	PLATO
80	D58285264	22' - 6,77M	1	PROTECTOR	PROTECTEUR	SCHUTZ	PROTECTOR
80	D58285763	20' 6,16M	1	PROTECTOR	PROTECTEUR	SCHUTZ	PROTECTOR
91	339560X1	M6 X 16	X	HEX. SOCK. SCREW	VIS TETE HEX	ZYLINDERSCHRAUBE	TORN.CAB.HUECA
92	D20400404		X	WASHER	RONDELLE	SCHEIBE	ARANDELA
93	1441462X1	M6	X	LOCKNUT	ECROU FREIN	SICHERUNGSMUTTER	CONTRATUERCA
94	339337X1	M8 X 30	4	HEX. SOCK. SCREW	VIS TETE HEX	ZYLINDERSCHRAUBE	TORN.CAB.HUECA
95	339034X1	M16	1	NUT	ECROU	MUTTER	TUERCA
96	D28780381	[C]	2	RETAINER	RETENEUR	HALTERING	RETENEDOR
97	D28780381	[B]	1	RETAINER	RETENEUR	HALTERING	RETENEDOR
111	D28284101		2	PLATE	PLAQUE	PLATTE	PLATO
112	394367X1	M8	X	NUT	ECROU	MUTTER	TUERCA
113	339761X1	M8 X 25	X	HEX. SOCK. SCREW	VIS TETE HEX	ZYLINDERSCHRAUBE	TORN.CAB.HUECA
116	339169X1	M8	X	NUT	ECROU	MUTTER	TUERCA
117	D28285011		1	LOCK SUPPORT	PIECE FERMETURE	VERSCHL.HALTER	LOCK SUPPORT



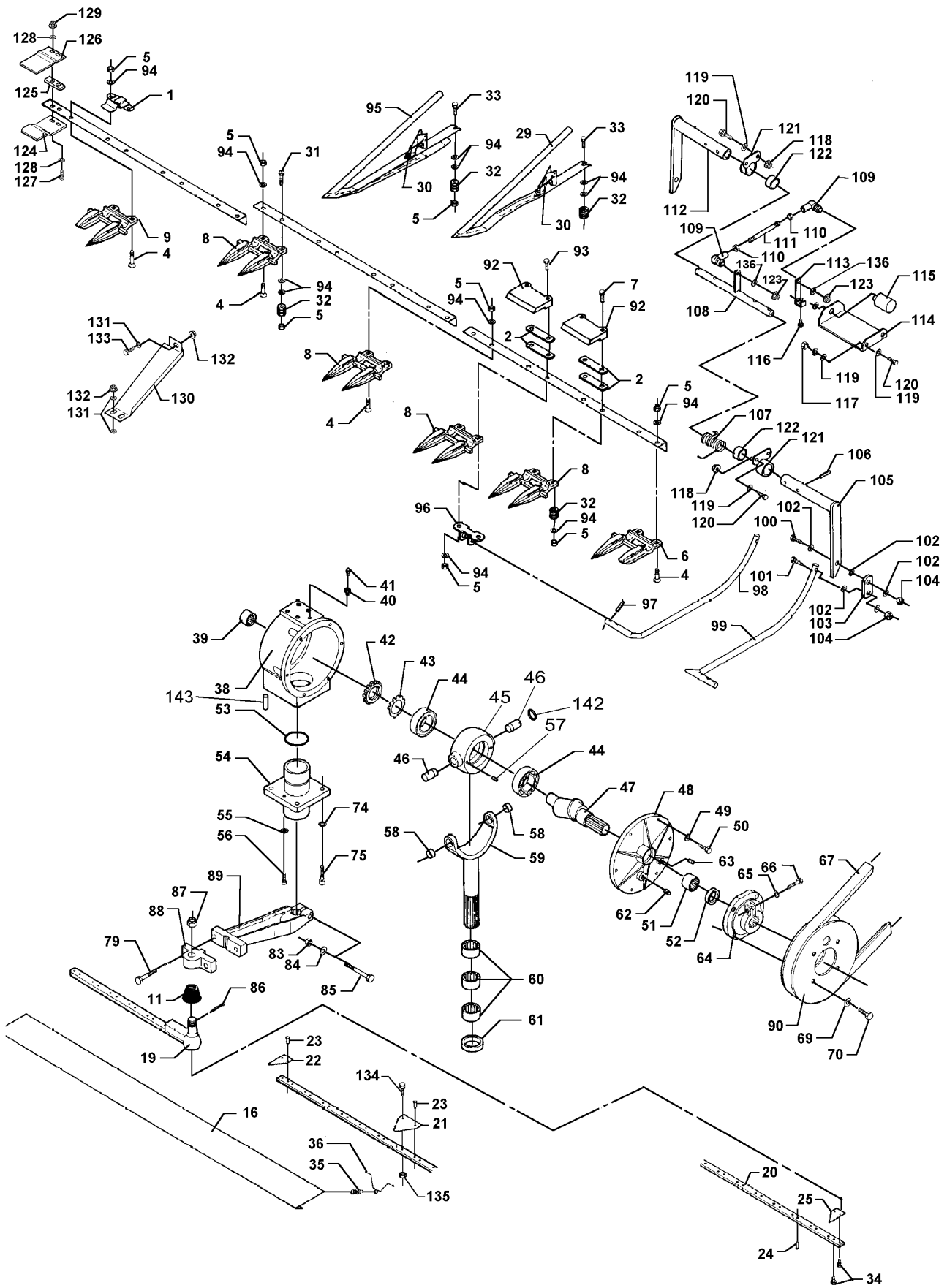
D-ZAZE-009-A

-
- [A] OPTIONAL EQUIPMENT AUTO LEVEL
ACCESSOIRE, AUTO LEVEL
SONDERAUSR ST. AUTO LEVEL
EQUIPO OPCIONAL AUTO LEVEL
- [B] OPTIONAL EQUIPMENT ELECTRIC - VERTICAL KNIFE LEFT
ACCESSOIRE, LAME VERTICALE A COMMANDE ELEC, GAUCHE
SONDERAUSR STUN ELEKTRISCHES TRENNMESSER, LINKS
EQUIPO OPTIONAL,CUCHILLA VERT. ELECTRICA L.I
- [C] OPTIONAL EQUIPMENT ELECTRIC VERTICAL KNIFE RIGHT
ACCESSOIRE, LAME VERTICALE A COMMANDE ELEC, DROITE
SONDERAUSR STUN ELEKTRISCHES TRENNMESSER, RECHTS
EQUIPO OPTIONAL, CUCHILLA VERT. ELECTRICA L.D



D-ZAZF-012-B

1	D28283934	20' - 6,16M	19	CLIP	PATTE D'ATTACHE	SCHELLE	CLIP
1	D28283934	22' - 6,77M	21	CLIP	PATTE D'ATTACHE	SCHELLE	CLIP
2	D28230292		4	SHIM	CALE REGLAGE	AUSGLEICHSCHLEIBE	CALCE
4	D40551500		X	BOLT	BOULON	BOLZEN	BULON
5	339402X1	M10	X	NUT SPECIAL	ECROU SPECIAL	SPEZIALMUTTER	TUERCA ESPECIAL
6	D44104700	◀	1	FINGER	DOIGT	FINGER	DEDO
7	D40067600		X	SCREW	VIS	SCHRAUBE	TORNILLO
8	D44104500	20' - 6,16M	39	FINGER	DOIGT	FINGER	DEDO
8	D44104500	22' - 6,77M	43	FINGER	DOIGT	FINGER	DEDO
9	D44104600	▶	1	FINGER	DOIGT	FINGER	DEDO
11	D44120500		1	CAP	CHAPEAU	KAPPE	TAPA
16	D28230830	22' - 6,77M	2	GUARD	GARDE	SCHUTZVORR	DEFENSA
16	D28230831	20' - 22' 6,16M - 6,77M	1	GUARD	GARDE	SCHUTZVORR	DEFENSA
16	D28200314	20' - 6,16M	1	GUARD	GARDE	SCHUTZVORR	DEFENSA
16	D28200738	20' - 6,16M	1	GUARD	GARDE	SCHUTZVORR	DEFENSA
19	D28283010	20' - 6,16M	2	KNIFE BACK	BARRE DE COUPE	MESSERRUECKEN	DORSO CUCHILLA
19	D28283865	22' - 6,77M	2	BLADE	LAME	KLINGE	HOJA CORTANTE
19	D28283011		2	TOGGLE	ROTULE	GELENKZAPFEN	ROTULA
20	D28281492	20' - 6,16M	2	KNIFE BACK	BARRE DE COUPE	MESSERRUECKEN	DORSO CUCHILLA
20	D28281493	22' - 6,77M	2	KNIFE BACK	BARRE DE COUPE	MESSERRUECKEN	DORSO CUCHILLA
21	D44103700		X	SECTION	SECTION	ABSCHNITT	SECCION
22	D44103800		X	HALF SECTION	DEMI SECTION	ABSCHLUSSBLECH	MEDIA SECCION
23	D41306100		X	RIVET	RIVET	NIET	REMACHE
24	D41306200		X	RIVET	RIVET	NIET	REMACHE
25	D44104000		1	HALF SECTION	DEMI SECTION	ABSCHLUSSBLECH	MEDIA SECCION
29	D49040900		X	EAR LIFTER	RELEVEUR EPIS	AEHRENHEBER	LEVANTAMIESES
30	D49040400		X	SPRING	RESSORT	FEDER	MUELLE
31	339019X1	M10 X 50	X	HEX. SOCK. SCREW	VIS TETE HEX	ZYLINDERSCHRAUBE	TORN.CAB.HUECA
32	D49040600	20' - 6,16M	21	ROLLER	GALET	ROLLE	RODILLO
32	D49040600	22' - 6,77M	23	ROLLER	GALET	ROLLE	RODILLO
33	339019X1	M10 X 50	X	HEX. SOCK. SCREW	VIS TETE HEX	ZYLINDERSCHRAUBE	TORN.CAB.HUECA
34	339560X1	M6 X 16	2	HEX. SOCK. SCREW	VIS TETE HEX	ZYLINDERSCHRAUBE	TORN.CAB.HUECA
35	D26500317	16	4	SPRING	RESSORT	FEDER	MUELLE
36	D28230841	16	4	SPRING	RESSORT	FEDER	MUELLE
38	D28281324	[B] Cpl.	1	WOBBLE DRIVE	BOITIER COMMANDE	TAUMELANTRIEB	MANDO OSCILANTE
38	D44127800	38 [B]	1	BOX	BOITE	DOSE	CAJA
38	D44126500	38 [C]	1	BOX	BOITE	DOSE	CAJA
39	D44128800	38	1	BEARING NEEDLE	ROULEMENT AIGUIL	NADELLAGER	COJINETA AGUJAS
40	D44129400	38	1	CONNECTOR	BORNE.	DOPPELNIPPEL	CONECTOR
41	D46116500	38	1	VALVE	SOUPAPE	VENTIL	VALVULA
42	D44129100	38	1	NUT	ECROU	MUTTER	TUERCA
43	D44129200	38	1	WASHER	RONDELLE	SCHEIBE	ARANDELA
44	D41668400	38	2	ROLLER BEARING	ROULEMENT GALETS	ROLLENLAGER	COJINETE RODILLO
45	D44127900	38 [B]	1	HOUSING	CARTER	GEHAEUSE	ALOJAMIENTO
45	D44126400	38 [C]	1	HOUSING	CARTER	GEHAEUSE	ALOJAMIENTO
46	D44128000	38 [B]	2	JOURNAL	TENON	LAGERZAPFEN	GORRON
46	D44125900	38 [C]	1	JOURNAL	TENON	LAGERZAPFEN	GORRON
47	D44129300	38	1	SHAFT	ARBRE	WELLE	ARBOL
48	D44128200	38 [B]	1	COVER	COUVERCLE	ABDECKUNG.	CUBIERTA
48	D44126300	38 [C]	1	COVER	COUVERCLE	ABDECKUNG.	CUBIERTA
49	D41102100	38	6	WASHER	RONDELLE	SCHEIBE	ARANDELA
50	339123X1	38 M8 X 20	6	HEX. SOCK. SCREW	VIS TETE HEX	ZYLINDERSCHRAUBE	TORN.CAB.HUECA
51	D41669700	38	1	BEARING NEEDLE	ROULEMENT AIGUIL	NADELLAGER	COJINETA AGUJAS
52	D45412000	38	1	GASKET	JOINT	FLACHDICHTUNG	JUNTA PLANA
53	D45481500	38	1	O RING	JOINT TORIQUE	O-RING	JUNTA TOROIDAL
54	D44128300	38 [B]	1	BEARING CARRIER	PALIER	LAGER GEHAEUSE	COJINETE APOYO
54	D44126200	38 [C]	1	BEARING CARRIER	PALIER	LAGER GEHAEUSE	COJINETE APOYO
55	D41102100	38	2	WASHER	RONDELLE	SCHEIBE	ARANDELA
56	D40697200	38 [B]	2	SCREW	VIS	SCHRAUBE	TORNILLO
56	D40697700	38 [C]	2	SCREW	VIS	SCHRAUBE	TORNILLO
57	D40639600	38 [B]	2	PIN	GOUPILLE	STIFT	PASADOR
58	D44128400	38 [B]	2	BUSH	BAGUE	RING	CASQUILLO
58	D44126100	38 [C]	2	BUSH	BAGUE	RING	CASQUILLO
59	D44128500	38 [B]	1	YOKE	CHAPE ARTICULAT	GELENKGABEL	YUGO
59	D44126000	38 [C]	1	YOKE	CHAPE ARTICULAT	GELENKGABEL	YUGO
60	D41669800	38	3	BEARING NEEDLE	ROULEMENT AIGUIL	NADELLAGER	COJINETA AGUJAS
61	D45409500	38	1	GASKET	JOINT	FLACHDICHTUNG	JUNTA PLANA
62	D44128600	38	1	PLUG	BOUCHON	STOPFEN	TAPON
63	D45236200	38	1	PLUG	BOUCHON	STOPFEN	TAPON
64	D44127100	38	1	HUB	MOYEU	NABE	CUBO
65	D41100900	38	1	SPRING WASHER	RONDELLE ELASTIQ	FEDERSCHLEIBE	ARANDELA ELASTI.
66	D40694000	38	1	SCREW	VIS	SCHRAUBE	TORNILLO
67	D41986300		1	V BELT	COURROIE TRAPEZ	KEILRIEMEN	CORREA EN V
69	D20400426		4	WASHER	RONDELLE	SCHEIBE	ARANDELA
70	1440716X1	M12 X 30	4	HEX. SOCK. SCREW	VIS TETE HEX	ZYLINDERSCHRAUBE	TORN.CAB.HUECA
74	D20400522		4	SPACER	ENTRETOISE	ABSTANDSTUECK	DISCO ESPACIADOR
75	D40465100		4	SCREW	VIS	SCHRAUBE	TORNILLO
79	D40698400		2	SCREW	VIS	SCHRAUBE	TORNILLO
83	1442190X1	M12	1	LOCKNUT	ECROU FREIN	SICHERUNGSMUTTER	CONTRATUERCA
84	D20400426		1	WASHER	RONDELLE	SCHEIBE	ARANDELA



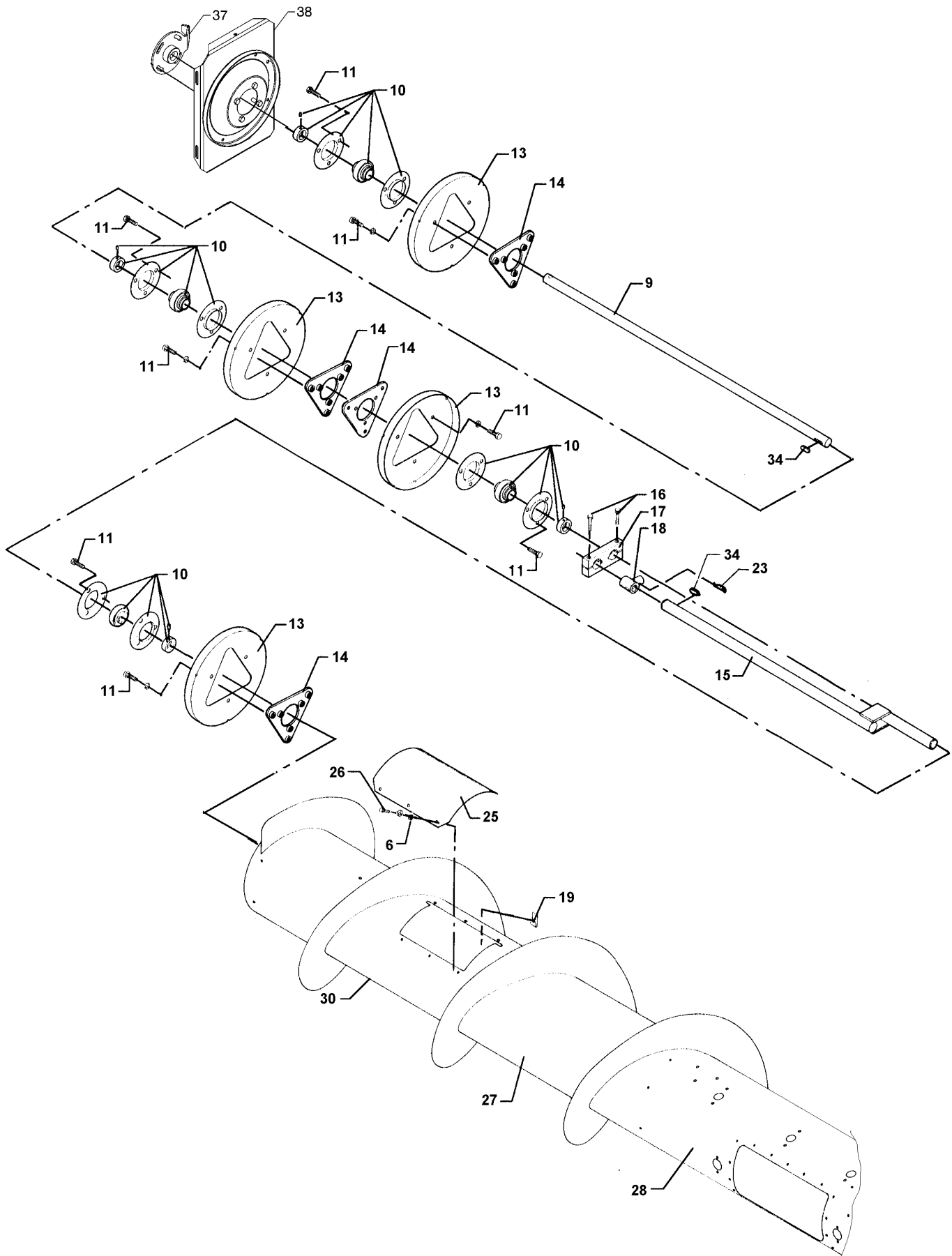
D-ZAZF-012-B

85	390826X1	M12 X 100	1	HEX. SOCK. SCREW	VIS TETE HEX	ZYLINDERSCHRAUBE	TORN.CAB.HUECA
86	391423X1	⊙ 4 X 40	1	SPLIT PIN	GOUPILLE FENDUE	SPALTBOLZEN	PASADOR HENDIDO
87	D41054300		1	NUT	ECROU	MUTTER	TUERCA
88	D44126900		1	FLANGE	FLASQUE	FLANSCH	PLETINA
89	D44127000		1	SWIVEL ARM	BRAS PIVOT	SCHWENKARM	BRAZO OSCILANTE
90	D44127200		1	PULLEY	POULIE	RIEMENSCHLEIBE	POLEA
92	D28260362		2	CLIP	PATTE D'ATTACHE	SHELLE	CLIP
93	1441671X1	M10 X 50	X	SCREW SPECIAL	VIS SPECIALE	SPEZIALSCHRAUBE	TORNILLO ESPEC.
94	D20400419		X	WASHER	RONDELLE	SCHEIBE	ARANDELA
95	D49040300		X	EAR LIFTER	RELEVEUR EPIS	AEHRENHEBER	LEVANTAMIESES
96	D28284356	[A]	4	FITTING	MONTAGE	ANSCHL.VERSCHRBG	ACCESORIO.
97	339662X1	[A] ⊙ 6 X 28	8	PIN	GOUPILLE	STIFT	PASADOR
98	D28284259	[A]	2	SENSOR	DETECTEUR	SENSOR	DETECTOR
99	D28284260	[A]	2	SENSOR	DETECTEUR	SENSOR	DETECTOR
100	339337X1	[A]	4	HEX. SOCK. SCREW	VIS TETE HEX	ZYLINDERSCHRAUBE	TORN.CAB.HUECA
101	D40405300	M8 X 30 [A]	4	SCREW	VIS	SCHRAUBE	TORNILLO
102	D20400506	[A]	20	WASHER	RONDELLE	SCHEIBE	ARANDELA
103	D28284363	[A]	4	LINK	MAILLON	GLIED	ESLABON
104	394367X1	[A] M8	8	NUT	ECROU	MUTTER	TUERCA
105	D28284227	[A]	2	LEVER	LEVIER	HEBEL	PALANCA
106	D42611900	[A]	8	PIN	GOUPILLE	STIFT	PASADOR
107	D28281693	[A]	2	SPRING	RESSORT	FEDER	MUELLE
108	D28284232	[A]	2	SHAFT	ARBRE	WELLE	ARBOL
109	D46437300	[A]	4	TOGGLE	ROTULE	GELENKZAPFEN	ROTULA
110	D41010600	[A] M6	4	NUT	ECROU	MUTTER	TUERCA
111	D28780446	[A]	2	ROD	TRINGLE	STANGE	VARILLA
112	D28284226	[A]	2	LEVER	LEVIER	HEBEL	PALANCA
113	D28284361	[A]	2	CONNECTING LINK	BARRE CONNEXION	VERSCHLUSSGLIED	MALLA UNION
114	D28284360	[A]	2	PLATE	PLAQUE	PLATTE	PLATO
115	D28780523	[A]	2	POTENTIOMETER	POTENTIOMETRE	POTENTIOMETER	REGULADOR ELECT.
116	D40464900	[A]	2	SCREW	VIS	SCHRAUBE	TORNILLO
117	339169X1	[A] M8	4	NUT	ECROU	MUTTER	TUERCA
118	394367X1	[A] M8	8	NUT	ECROU	MUTTER	TUERCA
119	D20400506	[A]	16	WASHER	RONDELLE	SCHEIBE	ARANDELA
120	339123X1	[A] M8 X 20	12	HEX. SOCK. SCREW	VIS TETE HEX	ZYLINDERSCHRAUBE	TORN.CAB.HUECA
121	D28284458	[A]	4	BEARING BUSH	BAGUE ROULEMENT	LAGERBUCHSE	BUJE DE COJINETE
122	D28284456	[A]	4	BUSH	BAGUE	RING	CASQUILLO
123	1441462X1	[A] M6	2	LOCKNUT	ECROU FREIN	SICHERUNGSMUTTER	CONTRATUERCA
124	D28281576		1	PLATE	PLAQUE	PLATTE	PLATO
125	D28281575		1	SHIM	CALE REGLAGE	AUSGLEICHSCHEIBE	CALCE
126	D28281574		1	PLATE	PLAQUE	PLATTE	PLATO
127	339010X1	M8 X 40	2	HEX. SOCK. SCREW	VIS TETE HEX	ZYLINDERSCHRAUBE	TORN.CAB.HUECA
128	D20400506		2	WASHER	RONDELLE	SCHEIBE	ARANDELA
129	394367X1	M8	2	NUT	ECROU	MUTTER	TUERCA
130	D58281572		1	GUARD	GARDE	SCHUTZVORR	DEFENSA
131	D20400506		3	WASHER	RONDELLE	SCHEIBE	ARANDELA
132	394367X1	M8	3	NUT	ECROU	MUTTER	TUERCA
133	339761X1	M8 X 25	1	HEX. SOCK. SCREW	VIS TETE HEX	ZYLINDERSCHRAUBE	TORN.CAB.HUECA
134	339560X1	M6 X 16	X	HEX. SOCK. SCREW	VIS TETE HEX	ZYLINDERSCHRAUBE	TORN.CAB.HUECA
135	1441462X1	M6	X	LOCKNUT	ECROU FREIN	SICHERUNGSMUTTER	CONTRATUERCA
136	D20400404		4	WASHER	RONDELLE	SCHEIBE	ARANDELA
142	D45483000	[C]	1	O RING	JOINT TORIQUE	O-RING	JUNTA TOROIDAL
143*	D42650400		2	PIN	GOUPILLE	STIFT	PASADOR

[A] OPTIONAL EQUIPMENT AUTO LEVEL
ACCESSOIRE, AUTO LEVEL
SONDERAUSR ST. AUTO LEVEL
EQUIPO OPCIONAL AUTO LEVEL

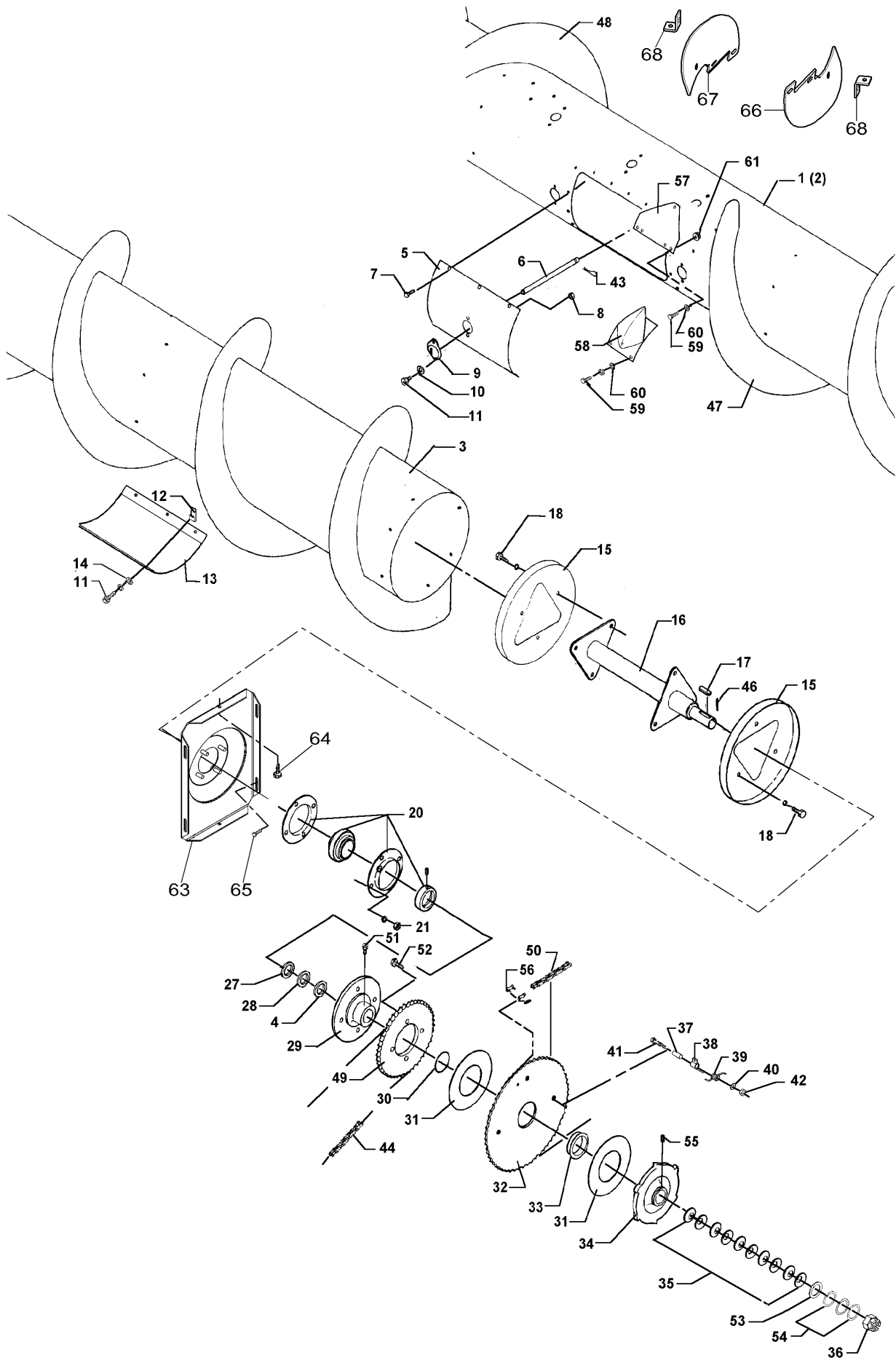
[B] USED ONLY IN KNIFE DRIVES WITH 6 HOLES IN BEARING HOUSING BOTTOM
UTILISER SEULEMENT AUX TRANSMISSIONS DE LAME A 6 TROUS PERCES AU FOND DU PALIER
NUR IN MESSERANTRIEBEN MIT 6 LOCHERN AM LAGERGEHAUSEBODEN VERWENDET
UTILIZAR SOLAMENTE A LAS TRANSMISIONES DE LAMINADO A 6 HOYOS PERFORADOS EN EL FONDO DEL
DESCANSILLO

[C] USED ONLY IN KNIFE DRIVES WITH 8HOLES IN BEARING HOUSING BOTTOM AND BULGES SIDES
UTILISER SEUL. AUX TRANSMIS DE LAMES A 8 TROUS PERCES AU FOND PALIER ET CONV. COTES
NUR IN MESSERANTRIEBEN MIT 8 LOCHERN AM LAGERGEHAU UND AUSBAU. AN DEN SEITEN VERWENDET
UTILIZAR SOLO A LAS TRANSISIONES DE LAMAS A 8 HOYO S PERFORADOS AL FONDO DESCANSILLO Y CONV.



D-ZAZG-007-A

6	391038X1		12	FLAT WASHER	RONDELLE PLATE	UNTERLEGSCHNEIBEN	ARANDELA PLANA
9	D28285997	20' - 6,16M	1	SHAFT	ARBRE	WELLE	ARBOL
9	D28285797	22' - 6,77M	1	AUGER	VIS SANS FIN	FOERDERSCHNECKE	SINFIN
10	D41707800		4	BEARING	COUSSINET	LAGER	COJINETE
11	339814X1	M10 X 35	24	HEX. SOCK. SCREW	VIS TETE HEX	ZYLINDERSCHRAUBE	TORN.CAB.HUECA
13	D28280014		4	PLATE	PLAQUE	PLATTE	PLATO
14	D28283847		4	BEARING PLATE	PLAQUE ROULEMENT	LAGERPLATTE	PLACA DE APOYO
15	D28285977		1	CRANKSHAFT	VILEBREQUIN	KURBELWELLE	CIGÜEÑAL
16	3009498X1	M10 X 55	2	HEX. SOCK. SCREW	VIS TETE HEX	ZYLINDERSCHRAUBE	TORN.CAB.HUECA
17	D28283039		1	ARM	BRAS	SCHARHEBEL	BRAZO
18	D28251831		15	BEARING CARRIER	PALIER	LAGER GEHAEUSE	COJINETE APOYO
19	D43428200	M6	6	NUT	ECROU	MUTTER	TUERCA
23	D28283853		15	HAIR PIN	EPINGLE	SICHERUNGSFEDER	RETENEDOR ELAST
25	D58285312		1	COVER	COUVERCLE	ABDECKUNG.	CUBIERTA
26	339666X1	M6 X 20	6	HEX. SOCK. SCREW	VIS TETE HEX	ZYLINDERSCHRAUBE	TORN.CAB.HUECA
27	D28285986	20' - 6,16M	1	TABLE AUGER	VIS ALIMENTATION	FRONTSCHNECKE	SINFIN MESA
27	D28286153	22'-6,77M	1	AUGER	VIS SANS FIN	FOERDERSCHNECKE	SINFIN
27	D28285985	18' - 5,56M	1	TABLE AUGER	VIS ALIMENTATION	FRONTSCHNECKE	SINFIN MESA
28	D28283012		1	BODY	CORPS	RUMPF	CUERPO
30	D28286007	▶ 20' - 6,16M	1	BODY	CORPS	RUMPF	CUERPO
30	D28283876	▶ 22' - 6,77M	1	BODY	CORPS	RUMPF	CUERPO
34	339441X1		2	KEY PARALLEL	CLAVETTE PARALEL	PASSFEDER	CHAVETA PLANA
37	D28285130		1	FITTING	MONTAGE	ANSCHL.VERSCHRBG	ACCESORIO.
38	D58285102		1	COVER	COUVERCLE	ABDECKUNG.	CUBIERTA

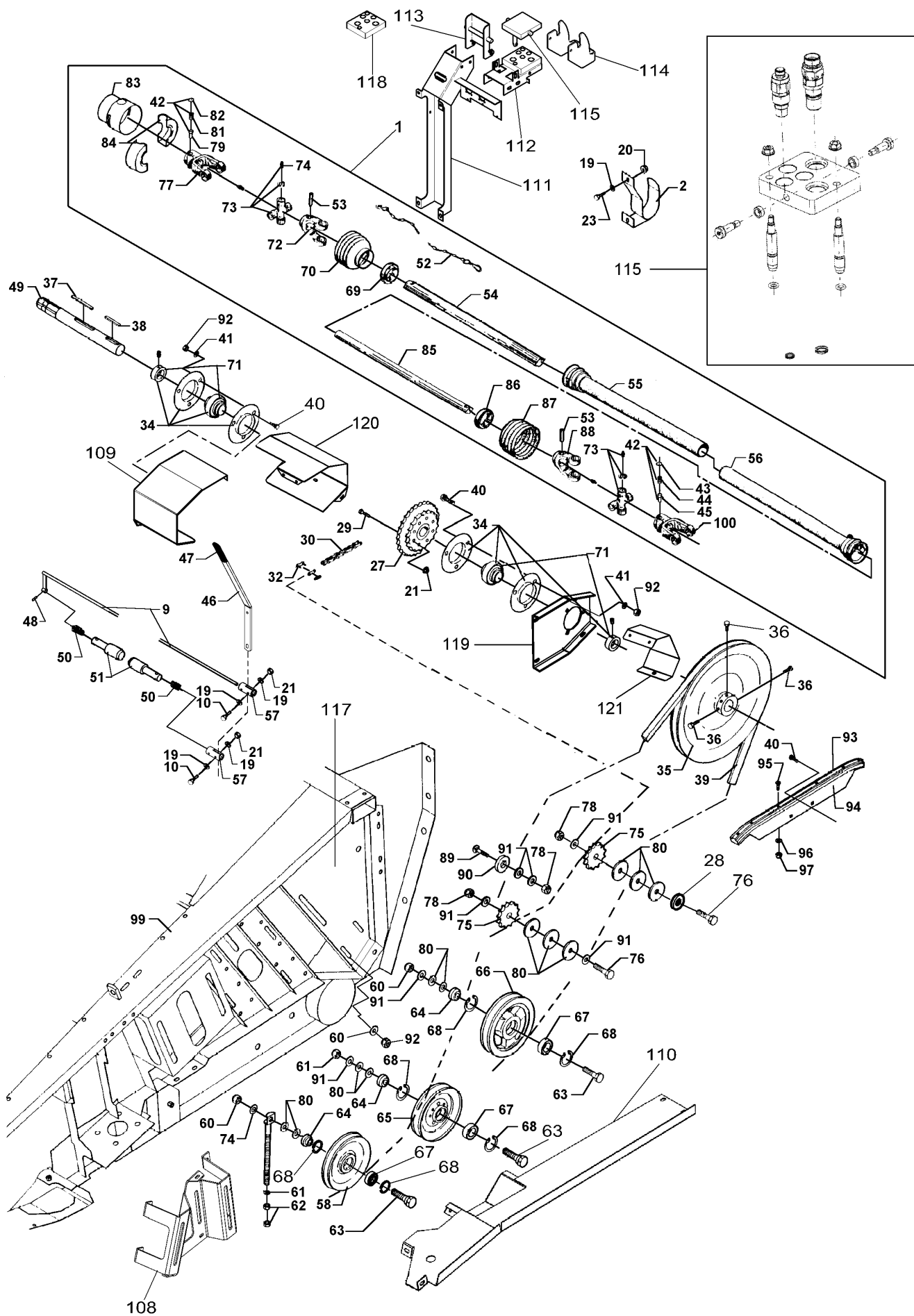


D-ZAZH-012-A

1	D28285986	20'-6,16M	1	TABLE AUGER	VIS ALIMENTATION	FRONTSCHNECKE	SINFIN MESA
1	D28286153	22'-6,77M	1	AUGER	VIS SANS FIN	FOERDERSCHNECKE	SINFIN
2	D28283012		1	BODY	CORPS	RUMPF	CUERPO
3	D28286006	◀ 20' - 6,16M	1	BODY	CORPS	RUMPF	CUERPO
3	D28283875	◀ 22' - 6,77M	1	BODY	CORPS	RUMPF	CUERPO
4	D41653500		2	WASHER	RONDELLE	SCHEIBE	ARANDELA
5	D28283078		1	COVER	COUVERCLE	ABDECKUNG.	CUBIERTA
6	D28283815		15	FINGER	DOIGT	FINGER	DEDO
7	339560X1	M6 X 16	8	HEX. SOCK. SCREW	VIS TETE HEX	ZYLINDERSCHRAUBE	TORN.CAB.HUECA
8	1441462X1	M6	X	LOCKNUT	ECROU FREIN	SICHERUNGSMUTTER	CONTRATUERCA
9	D28283060		15	BUSH	BAGUE	RING	CASQUILLO
10	D20400404		X	WASHER	RONDELLE	SCHEIBE	ARANDELA
11	339666X1	M6 X 20	X	HEX. SOCK. SCREW	VIS TETE HEX	ZYLINDERSCHRAUBE	TORN.CAB.HUECA
12	D43428200	M6	6	NUT	ECROU	MUTTER	TUERCA
13	D28285312		1	COVER	COUVERCLE	ABDECKUNG.	CUBIERTA
14	391038X1		6	FLAT WASHER	RONDELLE PLATE	UNTERLEGSCHEIBEN	ARANDELA PLANA
15	D28280014		2	PLATE	PLAQUE	PLATTE	PLATO
16	D28285100		1	DRIVE SHAFT	ARBRE DE CDE	ANTRIEBSWELLE	EJE MOTRIZ
17	D43106800		1	KEY	CLAVETTE	STELLKEIL	CHAVETA
18	339814X1	M10 X 35	X	HEX. SOCK. SCREW	VIS TETE HEX	ZYLINDERSCHRAUBE	TORN.CAB.HUECA
20	D41716500		1	BEARING	COUSSINET	LAGER	COJINETE
21	3009695X1	M12	4	NUT	ECROU	MUTTER	TUERCA
27	D41653500	[C]	X	WASHER	RONDELLE	SCHEIBE	ARANDELA
28	D41653500	[C]	4	WASHER	RONDELLE	SCHEIBE	ARANDELA
29	D28283004		1	WASHER	RONDELLE	SCHEIBE	ARANDELA
30	D45481600		1	O RING	JOINT TORIQUE	O-RING	JUNTA TOROIDAL
31	D45904300		2	FRICTION DISC	DISQUE FRICTION	REIBSCHEIBE	DISCO FRICCION
32	D28286046	20' - 6,16M	1	SPROCKET	BARBOTIN	KETTENRAD	RUEDA DE CADENA
32	D28285443	22' - 6,77M	1	SPROCKET	BARBOTIN	KETTENRAD	RUEDA DE CADENA
33	D28286049		1	INSERT	DOUILLE	EINSATZSTUECK	INSERCIION
34	D28286166	22' - 6,77M	1	CLUTCH DISC	DISQUE EMBRAYAGE	KUPPLUNGSSCHEIBE	DISCO DE EMBRAGU
35	D41112400		10	WASHER	RONDELLE	SCHEIBE	ARANDELA
36*	D41054100		1	CASTLE NUT	ECROU A CRENEAU	KRONENMUTTER	TUERCA CON MUES.
37	D28281431		1	SPACER	ENTRETOISE	ABSTANDSTUECK	DISCO ESPACIADOR
38	D28281432		1	SUPPORT	SUPPORT	TRAGER	SOPORTE
39	D28283006		1	SPRING	RESSORT	FEDER	MUELLE
40	D20400507		1	SPACER	ENTRETOISE	ABSTANDSTUECK	DISCO ESPACIADOR
41	3009498X1	M10 X 55	1	HEX. SOCK. SCREW	VIS TETE HEX	ZYLINDERSCHRAUBE	TORN.CAB.HUECA
42	1440329X1	M10	1	LOCKNUT	ECROU FREIN	SICHERUNGSMUTTER	CONTRATUERCA
43	D28283853		15	HAIR PIN	EPINGLE	SICHERUNGSFEDER	RETENEDOR ELAST
44	D42332800		1	CHAIN	CHAINE	KETTE	CADENA
46	354066X1	5/32" X 1	1	SPLIT PIN	GOUVILLE FENDUE	SPALTBOLZEN	PASADOR HENDIDO
47	D28286016	▶ 20' - 6,16M	1	AUGER	VIS SANS FIN	FOERDERSCHNECKE	SINFIN
47	D28284502	▶ 22' - 6,77M	1	AUGER	VIS SANS FIN	FOERDERSCHNECKE	SINFIN
48	D28286017	◀ 20' - 6,16M	1	AUGER	VIS SANS FIN	FOERDERSCHNECKE	SINFIN
48	D28284501	◀ 22' - 6,77M	1	AUGER	VIS SANS FIN	FOERDERSCHNECKE	SINFIN
49	D28283182		1	SPROCKET	BARBOTIN	KETTENRAD	RUEDA DE CADENA
50	D42329200		1	CHAIN	CHAINE	KETTE	CADENA
51	339761X1	M8 X 25	1	HEX. SOCK. SCREW	VIS TETE HEX	ZYLINDERSCHRAUBE	TORN.CAB.HUECA
52	339123X1	M8 X 20	4	HEX. SOCK. SCREW	VIS TETE HEX	ZYLINDERSCHRAUBE	TORN.CAB.HUECA
53	D20400520		1	SPACER	ENTRETOISE	ABSTANDSTUECK	DISCO ESPACIADOR
54	D20400523		4	SPACER	ENTRETOISE	ABSTANDSTUECK	DISCO ESPACIADOR
55	1441858X1		1	GREASE FITTING	GRAISSEUR	DRUCKSCHMIERKOPF	ENGRASADOR
56	D42365500		1	LINK	MAILLON	GLIED	ESLABON
57	D28281694	[A]	4	THREADED PART	PIECE FILETEE	GEWINDESTUECK	VARILLA ROSCADO
		▶ 61489					
58	D28283297	[A]	4	FINGER	DOIGT	FINGER	DEDO
		▶ 61489					
59	339123X1	[A]	20	HEX. SOCK. SCREW	VIS TETE HEX	ZYLINDERSCHRAUBE	TORN.CAB.HUECA
		M8 X 20					
60	D20400506	[A]	20	WASHER	RONDELLE	SCHEIBE	ARANDELA
61	394367X1	[A]	12	NUT	ECROU	MUTTER	TUERCA
		M8					
63	D28285102		1	COVER	COUVERCLE	ABDECKUNG.	CUBIERTA
64	D40633300		2	PIN	GOUVILLE	STIFT	PASADOR
65	390809X1	M10 X 25	4	SCREW SPECIAL	VIS SPECIALE	SPEZIALSCHRAUBE	TORNILLO ESPEC.
66	D28285974		1	AUGER	VIS SANS FIN	FOERDERSCHNECKE	SINFIN
67	D28285975		1	AUGER	VIS SANS FIN	FOERDERSCHNECKE	SINFIN
68	D28285981		2	BRACKET	SUPPORT FIXATION	HALTEAM	SOPORTE

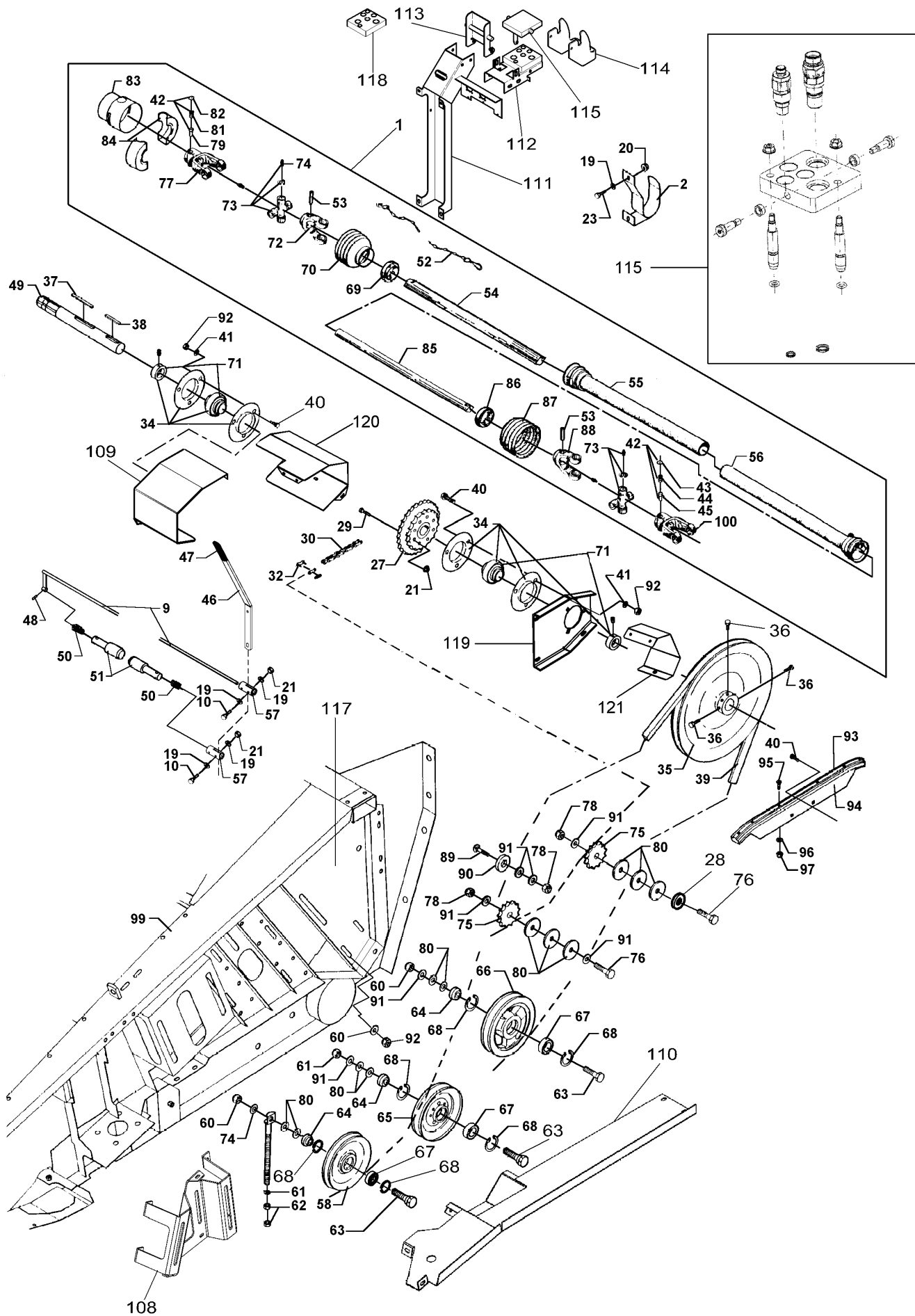
[A] OPTIONAL EQUIPMENT STANDARD COMBINE, STANDARD EQUIPMENT AUTO LEVEL COMBINE, SLOPES EQUIP. ACCESSOIRES MOISSONNEUSE BATTEUSE STAND. - STANDARD EQUIPMENT MOISSONNEUSE-BAT. AUTO LEVEL
 ZONDERZUBEHOER STANDARD MASCHINE, STANDARD AUSRUSTUNG AUTO LEVEL MASCHINE
 EQUIPO OPCIONAL, COSECHADORA ESTANDAR EQUIP. - COSECHADORA AUTONIVELACION

[C] OPTIONAL
 EN OPTION
 WAHLWEISE
 OPCIONAL



D-ZAZI-012-C

1	D45609100	20' - 6,16M ➔ 942481	1 SHAFT	ARBRE	WELLE	ARBOL
1	D28273974	20' - 6,16M ➔ 942482 WWHU	1 SHAFT	ARBRE	WELLE	ARBOL
2	D58281345		1 STIRRUP	ETRIER	BUEGEL	FUACION
4*	339123X1	[D] M8 X 20	X HEX. SOCK. SCREW	VIS TETE HEX	ZYLINDERSCHRAUBE	TORN.CAB.HUECA
5	391038X1	[D]	X FLAT WASHER	RONDELLE PLATE	UNTERLEGSCHLEIBEN	ARANDELA PLANA
8	339666X1	[D] M6 X 20	X HEX. SOCK. SCREW	VIS TETE HEX	ZYLINDERSCHRAUBE	TORN.CAB.HUECA
9	D28285117	➔ 942481	1 ROD	TRINGLE	STANGE	VARILLA
9	D28274027	➔ 942482	1 SHAFT	ARBRE	WELLE	ARBOL
10	339168X1	M8 X 50	X HEX. SOCK. SCREW	VIS TETE HEX	ZYLINDERSCHRAUBE	TORN.CAB.HUECA
18	339337X1	[D] M8 X 30	X HEX. SOCK. SCREW	VIS TETE HEX	ZYLINDERSCHRAUBE	TORN.CAB.HUECA
19	D20400506		X WASHER	RONDELLE	SCHEIBE	ARANDELA
20	394367X1	M8	X NUT	ECROU	MUTTER	TUERCA
21	394367X1	M8	X NUT	ECROU	MUTTER	TUERCA
22	339761X1	[D] M8 X 25	X HEX. SOCK. SCREW	VIS TETE HEX	ZYLINDERSCHRAUBE	TORN.CAB.HUECA
23	339124X1	M8 X 16	X HEX. SOCK. SCREW	VIS TETE HEX	ZYLINDERSCHRAUBE	TORN.CAB.HUECA
26	1441462X1	[D] M6	X LOCKNUT	ECROU FREIN	SICHERUNGSMUTTER	CONTRATUERCA
27	D28285385		1 GEAR	ENGRENAGE	ZAHNRAD	ENGRANAJE
28	D20400460		1 WASHER	RONDELLE	SCHEIBE	ARANDELA
29	339009X1	M8 X 35	8 HEX. SOCK. SCREW	VIS TETE HEX	ZYLINDERSCHRAUBE	TORN.CAB.HUECA
30	D42329200		1 CHAIN	CHAINE	KETTE	CADENA
32	D42365500		1 LINK	MAILLON	GLIED	ESLABON
34	D41707800		2 BEARING	COUSSINET	LAGER	COJINETE
35	D28285423		1 PULLEY	POULIE	RIEMENSCHLEIBE	POLEA
36	D40697900		3 SCREW	VIS	SCHRAUBE	TORNILLO
37	D43114900		1 KEY	CLAVETTE	STELLKEIL	CHAVETA
38	1441579X1		1 KEY PARALLEL	CLAVETTE PARALEL	PASSFEDER	CHAVETA PLANA
39	D41986300		1 V BELT	COURROIE TRAPEZ	KEILRIEMEN	CORREA EN V
40	1442456X1	M10 X 30	6 SCREW SPECIAL	VIS SPECIALE	SPEZIALSCHRAUBE	TORNILLO ESPEC.
41	D20400419		6 WASHER	RONDELLE	SCHEIBE	ARANDELA
42	D45632400		2 TUBE	TUBE	ROHR	TUBO.
43	D45645700		2 WASHER	RONDELLE	SCHEIBE	ARANDELA
44	D45667300		2 SPRING	RESSORT	FEDER	MUELLE
45	D45665300		2 PIN	GOUPILLE	STIFT	PASADOR
46	D28285127		1 LEVER	LEVIER	HEBEL	PALANCA
47	D43484900		1 LEVER	LEVIER	HEBEL	PALANCA
48	D42612200		X PIN	GOUPILLE	STIFT	PASADOR
49	D28285125	➔ 941481	1 SHAFT	ARBRE	WELLE	ARBOL
49	D28274027	➔ 942482	1 SHAFT	ARBRE	WELLE	ARBOL
50	D27100794		2 SPRING	RESSORT	FEDER	MUELLE
51	D28283200		1 SHAFT	ARBRE	WELLE	ARBOL
52	D45681800		2 CHAIN	CHAINE	KETTE	CADENA
53	D42619100		2 PIN	GOUPILLE	STIFT	PASADOR
54	D45631100		1 TUBE	TUBE	ROHR	TUBO.
55	D45631900		1 TUBE	TUBE	ROHR	TUBO.
56	D45632300		1 TUBE	TUBE	ROHR	TUBO.
57	D28285126		2 FORK	FOURCHETTE	GABEL	HORQUILLA
58	D28760574		1 PULLEY	POULIE	RIEMENSCHLEIBE	POLEA
60	1442739X1	M16	3 LOCKNUT	ECROU FREIN	SICHERUNGSMUTTER	CONTRATUERCA
61	D20400416		X WASHER	RONDELLE	SCHEIBE	ARANDELA
62	339402X1	M10	X NUT SPECIAL	ECROU SPECIAL	SPEZIALMUTTER	TUERCA ESPECIAL
63	D28760156		3 SCREW	VIS	SCHRAUBE	TORNILLO
64	D28760155		3 BUSH	BAGUE	RING	CASQUILLO
65	D28752130		1 PULLEY	POULIE	RIEMENSCHLEIBE	POLEA
66	D28280819		1 PULLEY	POULIE	RIEMENSCHLEIBE	POLEA
67	SKF62042RS		3 BEAR. 6204 2RS	RLT 6204 2RS	LAGER 6204 2RS	RODA. 6204 2RS
68	339199X1		6 CIRCLIP	CIRCLIP	SEEGERING	GRAPA CIRCULAR
69	D45630600		1 RING	ANNEAU	RING.	ANILLO
70	D45630400		1 GUARD	GARDE	SCHUTZVORR	DEFENSA
71	D41663400		2 BALL BEARING	ROULEMENT BILLES	KUGELLAGER	COJINETE DE BOLA
72	D45630200		1 YOKE	CHAPE ARTICULAT	GELENKGABEL	YUGO
73	D45630300		2 HUB	MOYEU	NABE	CUBO
74	3008923X1		2 GREASE FITTING	GRAISSEUR	DRUCKSCHMIERKOPF	ENGRASADOR
75	D41716800		2 TIGHTENER	TENSEUR	SPANNROLLE	TENSADOR
76	391889X1	M16 X 70	2 HEX. SOCK. SCREW	VIS TETE HEX	ZYLINDERSCHRAUBE	TORN.CAB.HUECA
77	D45633100	[A]	1 YOKE	CHAPE ARTICULAT	GELENKGABEL	YUGO
78	1442739X1	M16	X LOCKNUT	ECROU FREIN	SICHERUNGSMUTTER	CONTRATUERCA
79	D45665300		2 PIN	GOUPILLE	STIFT	PASADOR
80	D20400460		X WASHER	RONDELLE	SCHEIBE	ARANDELA
81	D45667300		2 SPRING	RESSORT	FEDER	MUELLE
82	D45645700		2 WASHER	RONDELLE	SCHEIBE	ARANDELA
83	D45632900		1 BUSH	BAGUE	RING	CASQUILLO
84	D45633300		1 TUBE	TUBE	ROHR	TUBO.
85	D45631500		1 TUBE	TUBE	ROHR	TUBO.
86	D45630700		1 RING	ANNEAU	RING.	ANILLO



D-ZAZI-012-C

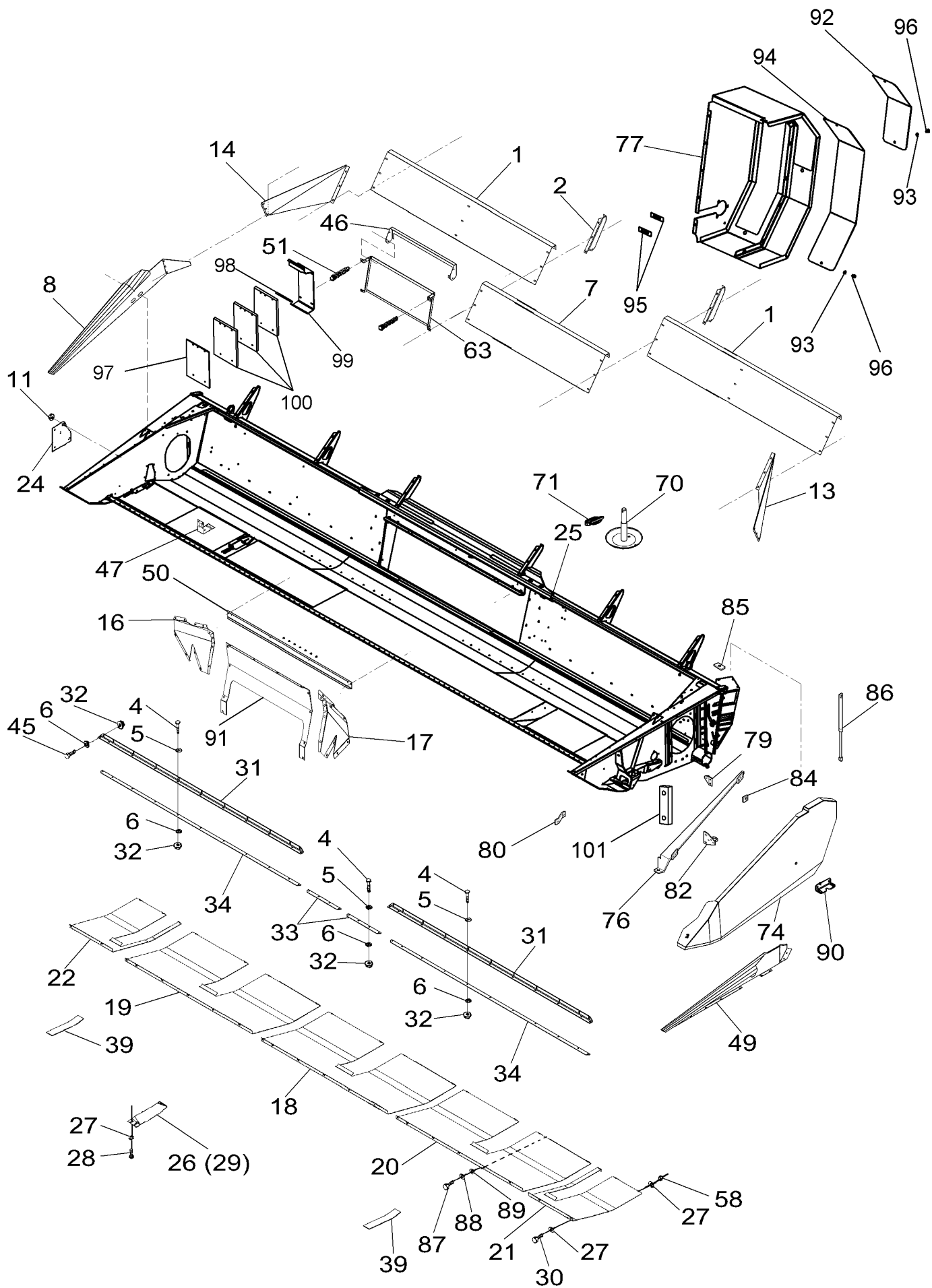
87	D45630500		1	GUARD	GARDE	SCHUTZVORR	DEFENSA
88	D45630100		1	YOKE	CHAPE ARTICULAT	GELENKGABEL	YUGO
89	D40073100		1	SCREW	VIS	SCHRAUBE	TORNILLO
90	D28280981		1	SPACER	ENTRETOISE	ABSTANDSTUECK	DISCO ESPACIADOR
91	D28181284		X	WASHER	RONDELLE	SCHEIBE	ARANDELA
92	1440329X1	M10	X	LOCKNUT	ECROU FREIN	SICHERUNGSMUTTER	CONTRATUERCA
93	D28280787		1	RAIL	RAIL	SCHIENE	RIEL
94	D28281365		1	CROSSMEMBER	POUTRE TRANSVERS	QUERSTREBE	TRAVESANO
95	D40609300		6	SCREW	VIS	SCHRAUBE	TORNILLO
96	D20400466		6	WASHER	RONDELLE	SCHEIBE	ARANDELA
97	D41087200	M4	6	LOCKNUT	ECROU FREIN	SICHERUNGSMUTTER	CONTRATUERCA
99	D28273743	➔ 942482	1	HOUSING	CARTER	GEHAEUSE	ALOJAMIENTO
100	D45633200	[A]	1	YOKE	CHAPE ARTICULAT	GELENKGABEL	YUGO
105	D45140037	[BD]	2	SCREW	VIS	SCHRAUBE	TORNILLO
108	D28285454		1	BRACKET	SUPPORT FIXATION	HALTEAM	SOPORTE
109	D28285290	➔ 942481	1	SHIELD	TOLE	SCHILD	BLINDAJE
110	D28285366		1	GUARD	GARDE	SCHUTZVORR	DEFENSA
111	D28285518		1	BRACKET	SUPPORT FIXATION	HALTEAM	SOPORTE
112	D28285519	CPL.	1	SUPPORT	SUPPORT	TRAGER	SOPORTE
113	D28285497		1	SUPPORT	SUPPORT	TRAGER	SOPORTE
114	D28285494		1	STIRRUP	ETRIER	BUEGEL	FUACION
115	D45140044	CPL. 👁 1-33 No	1	CLUTCH	EMBRYAGE	SCHALKUPPLUNG	EMBRAGUE
116	D45702000	[D]	1	HOSE	DURITE	SCHLAUCH	TUBO DE GOMA
117	D28285445	[C]	1	BRACKET	SUPPORT FIXATION	HALTEAM	SOPORTE
118	D28285492		1	RUBBER PATCH	ELEMENT CAOUTCH.	GUMMILAPPEN	RUBBER PATCH
119	D28284766	➔ 942482	1	SUPPORT	SUPPORT	TRAGER	SOPORTE
120	D28284767	➔ 942482	1	SHIELD	TOLE	SCHILD	BLINDAJE
121	D28284832		1	SHIELD	TOLE	SCHILD	BLINDAJE

[A] DELIVERED IN SETS
 LIVRE EN JEU
 LIEFERUNG IN STZE
 PARA ENTRAGAR CON JUEGO

[B] OPTIONAL EQUIPMENT
 EQUIPEMENTS ACCESSOIRES
 SONDERZUBEHOR
 EQUIP. ADITAMENTO

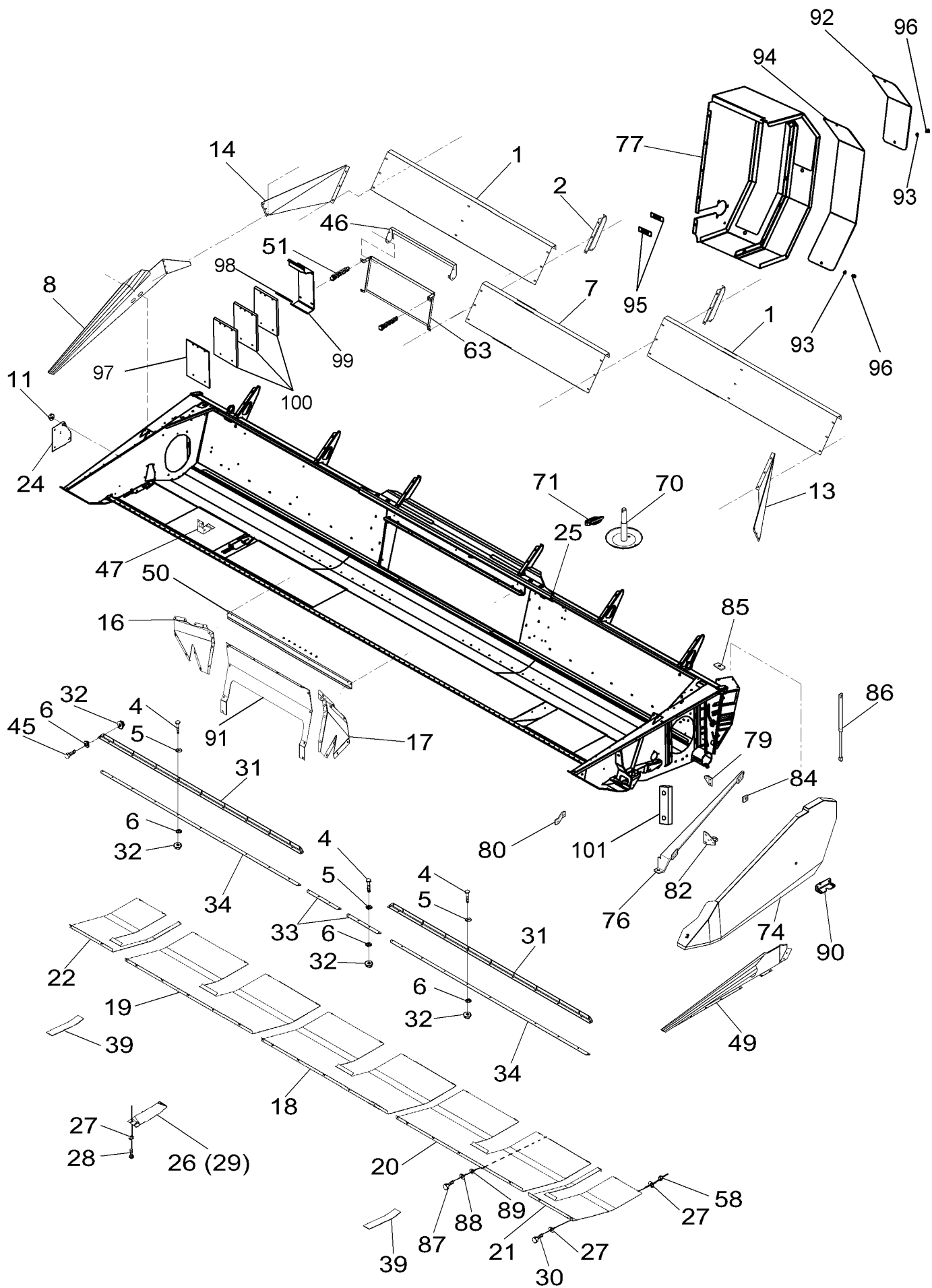
[C] ORDER D28285445 + D18285413
 COMMANDER D28285445 + D18285413
 BESTELLEN D28285445 + D18285413
 PEDIR D28285445 + D18285413

[D] NOT ILLUSTRATED
 NON ILLUSTRE
 NICHT ILLUSTRIRERT
 NO ILUSTRADO



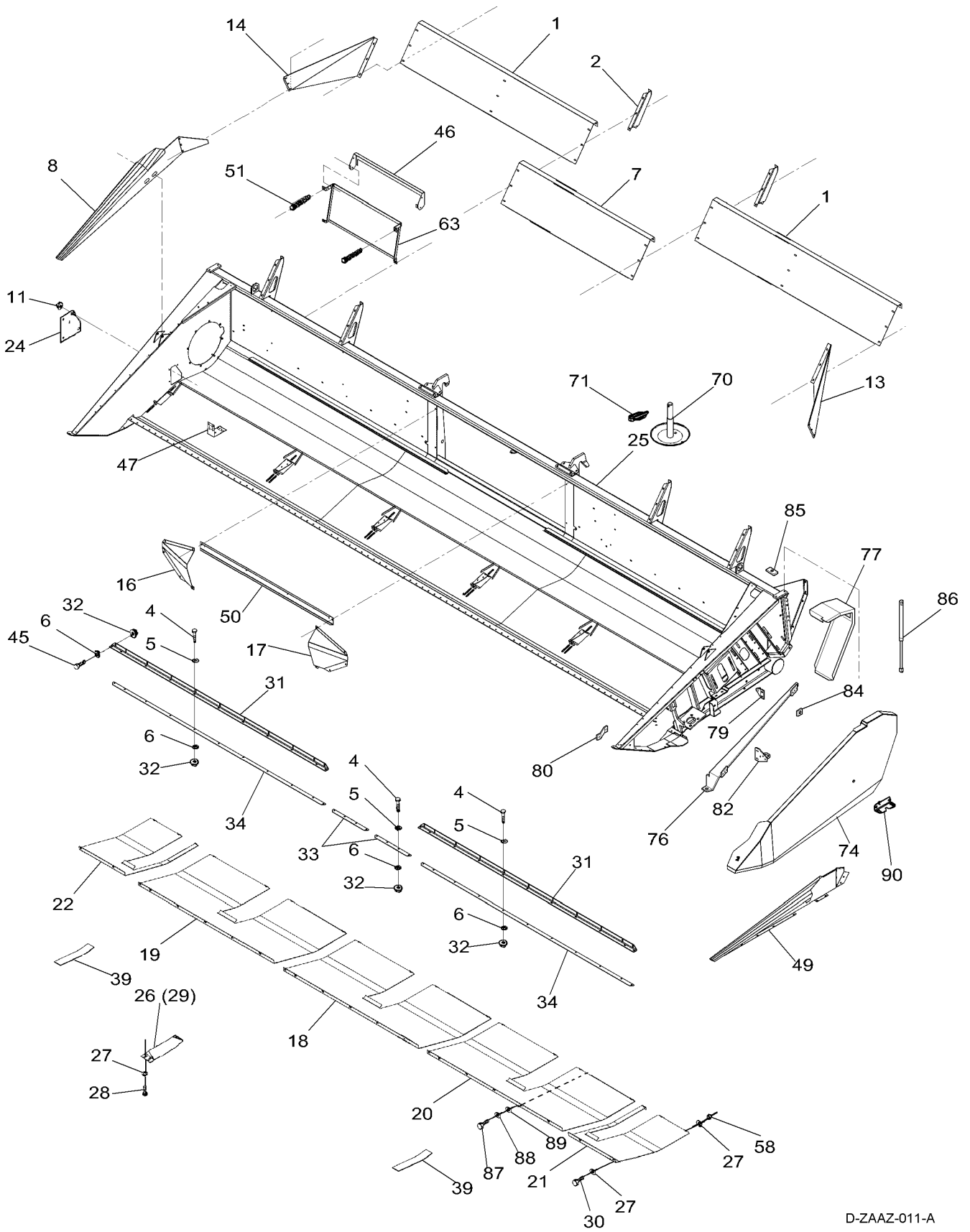
D-ZAAZ-015-A

1	D58273992	▶	20' - 6,16M	2	PLATE	PLAQUE	PLATTE	PLATO
1	D58273993	◀	20' - 6,16M	2	PLATE	PLAQUE	PLATTE	PLATO
1	D58273990	▶	22' - 6,77M	2	PLATE	PLAQUE	PLATTE	PLATO
1	D58273991	◀	22' - 6,77M	2	PLATE	PLAQUE	PLATTE	PLATO
2	D58285124			2	SUPPORT	SUPPORT	TRAGER	SOPORTE
4	339123X1		M8 X 20	X	HEX. SOCK. SCREW	VIS TETE HEX	ZYLINDERSCHRAUBE	TORN.CAB.HUECA
5	D20400506			X	WASHER	RONDELLE	SCHEIBE	ARANDELA
6	394367X1		M8	X	NUT	ECROU	MUTTER	TUERCA
7	D58284669			1	GUARD	GARDE	SCHUTZVORR	DEFENSA
8	D58283554			1	PANEL	PANNEAU	WANDPLATTE	PANEL
10	339560X1	[B]	M6 X 16	X	HEX. SOCK. SCREW	VIS TETE HEX	ZYLINDERSCHRAUBE	TORN.CAB.HUECA
11	D20400404			X	WASHER	RONDELLE	SCHEIBE	ARANDELA
13	D58285122			1	GUARD	GARDE	SCHUTZVORR	DEFENSA
14	D58285121			1	GUARD	GARDE	SCHUTZVORR	DEFENSA
16	D28284741	▶		1	GUARD	GARDE	SCHUTZVORR	DEFENSA
17	D28284743	◀		1	GUARD	GARDE	SCHUTZVORR	DEFENSA
18	D28285811	[A]	22' - 6,77M	2	WEARPLATE	PLAQUE USURE	TRAGPLATTE	PLACA DE ROCE
18	D28285078	[A]	20' - 6,16M	1	WEARPLATE	PLAQUE USURE	TRAGPLATTE	PLACA DE ROCE
19	D28285812	[A]	22' - 6,77M	1	WEARPLATE	PLAQUE USURE	TRAGPLATTE	PLACA DE ROCE
19	D28285085	[A]	20' - 6,16M	1	WEARPLATE	PLAQUE USURE	TRAGPLATTE	PLACA DE ROCE
20	D28285813	[A]	22' - 6,77M	1	WEARPLATE	PLAQUE USURE	TRAGPLATTE	PLACA DE ROCE
20	D28273743	[A]	20' - 6,16M	1	HOUSING	CARTER	GEHAUSE	ALOJAMIENTO
21	D28285082	[A]		1	WEARPLATE	PLAQUE USURE	TRAGPLATTE	PLACA DE ROCE
22	D28285081	[A]		1	WEARPLATE	PLAQUE USURE	TRAGPLATTE	PLACA DE ROCE
24	D58280359			1	SHUTTER	OBTURATEUR	BLENDEVERSCHLUS	OBTURADOR
25	D28273743		20' - 6,16M	1	HOUSING	CARTER	GEHAUSE	ALOJAMIENTO
25	D28273732		22' - 6,77M	1	HOUSING	CARTER	GEHAUSE	ALOJAMIENTO
26	D28251486		22' - 6,77M	4	COVER	COUVERCLE	ABDECKUNG.	CUBIERTA
27	D20400506			X	WASHER	RONDELLE	SCHEIBE	ARANDELA
28	391038X1			X	FLAT WASHER	RONDELLE PLATE	UNTERLEGSCHIBEN	ARANDELA PLANA
29	D28285194		20' - 6,16M	3	COVER	COUVERCLE	ABDECKUNG.	CUBIERTA
29	D28285194		22' - 6,77M	4	COVER	COUVERCLE	ABDECKUNG.	CUBIERTA
30	339010X1		M8 X 40	X	HEX. SOCK. SCREW	VIS TETE HEX	ZYLINDERSCHRAUBE	TORN.CAB.HUECA
31	D28285651		20' - 6,16M	2	ANGLE.	EQUERRE.	WINKEL	ANGULO
31	D28285652		22' - 6,77M	2	ANGLE.	EQUERRE.	WINKEL	ANGULO
32	339169X1		M8	X	NUT	ECROU	MUTTER	TUERCA
33	D28285197			2	SCRAPER	RACLETTE	KRATZER	PALETA
34	D28286127		20' - 6,16M	2	STRIPPER	DEBOURREUR	ABSTREIFER	DESBARBADOR
34	D28286128		22' - 6,77M	2	SCRAPER	RACLETTE	KRATZER	PALETA
39	D28283984			2	WEARPLATE	PLAQUE USURE	TRAGPLATTE	PLACA DE ROCE
45	339761X1		M8 X 25	X	HEX. SOCK. SCREW	VIS TETE HEX	ZYLINDERSCHRAUBE	TORN.CAB.HUECA
46	D58285264		22' - 6,77M	1	PROTECTOR	PROTECTEUR	SCHUTZ	PROTECTOR
46	D58285763		20' - 6,16M	1	PROTECTOR	PROTECTEUR	SCHUTZ	PROTECTOR
47	D28780381			X	RETAINER	RETENEUR	HALTERING	RETENEDOR
49	D58285590			1	SIDE	COTE	SEITEN	LATERAL
50	D58285375			1	PLATE	PLAQUE	PLATTE	PLATO
51	D58285097			1	BRACE	BRETELLE	HALTEBAND	RIOSTRA
58	394367X1		M8	X	NUT	ECROU	MUTTER	TUERCA
63	D58285263		22' - 6,77M	1	BRACKET	SUPPORT FIXATION	HALTEAMM	SOPORTE
63	D58285767		20' - 6,16M	1	BRACKET	SUPPORT FIXATION	HALTEAMM	SOPORTE
70	D28286101			1	SUPPORT	SUPPORT	TRAGER	SOPORTE
71	D41446200			1	SPLIT PIN	GOUPILLE FENDUE	SPALTBOLZEN	PASADOR HENDIDO
74	D58284758			1	GUARD	GARDE	SCHUTZVORR	DEFENSA
76	D58285175			1	SHIELD	TOLE	SCHILD	BLINDAJE
77	D58284755			1	GUARD	GARDE	SCHUTZVORR	DEFENSA
79	D58285447			1	CONSOLE	CONSOLE	KONSOLE	CONSOLA
80	D58285097			1	BRACE	BRETELLE	HALTEBAND	RIOSTRA
82	D28285446			1	CONSOLE	CONSOLE	KONSOLE	CONSOLA
84	D28285271			3	DOG	CHIEN	KLAUE	PRISIONERO
85	D28285289			1	SUPPORT	SUPPORT	TRAGER	SOPORTE
86	D45050060			1	GAS STRUT	VERIN AMORTISSEU	GASZYLINDER	CILINDRO GAS
87	3009493X1		M10 X 30	26	HEX. SOCK. SCREW	VIS TETE HEX	ZYLINDERSCHRAUBE	TORN.CAB.HUECA
88	D41101900			26	SPRING WASHER	RONDELLE ELASTIQ	FEDERSCHIEBE	ARANDELA ELASTI.
89	D20400419			26	WASHER	RONDELLE	SCHEIBE	ARANDELA
90	D43419900			1	LOCK	SERRURE	SCHLOSS	CERRADURA
91	D28273980			1	PLATE	PLAQUE	PLATTE	PLATO
92	D58284752			1	GUARD	GARDE	SCHUTZVORR	DEFENSA
93	D42555500			1	CIRCLIP	CIRCLIP	SEEGERING	GRAPA CIRCULAR
94	D58274034			1	GUARD	GARDE	SCHUTZVORR	DEFENSA
95	D43427300			1	SPRING	RESSORT	FEDER	MUELLE
96	D43427500			X	PIN	GOUPILLE	STIFT	PASADOR
97	D28274181			1	PLATE	PLAQUE	PLATTE	PLATO
98	D28274049			1	PLATE	PLAQUE	PLATTE	PLATO
99	D28274048			1	PLATE	PLAQUE	PLATTE	PLATO
100	D28282847			1	PLATE	PLAQUE	PLATTE	PLATO



D-ZAAZ-015-A

101 D28285487	2 BRACKET	SUPPORT FIXATION	HALTEARM	SOPORTE
[A] BOTH AL AND STD ENSEMBLE AL ET STD SOWOHL AL ALS AUCH STD CABEZAL AL Y STD				
[B] NOT ILLUSTRATED NON ILLUSTRE NICHT ILLUSTRNIERT NO ILUSTRADO				

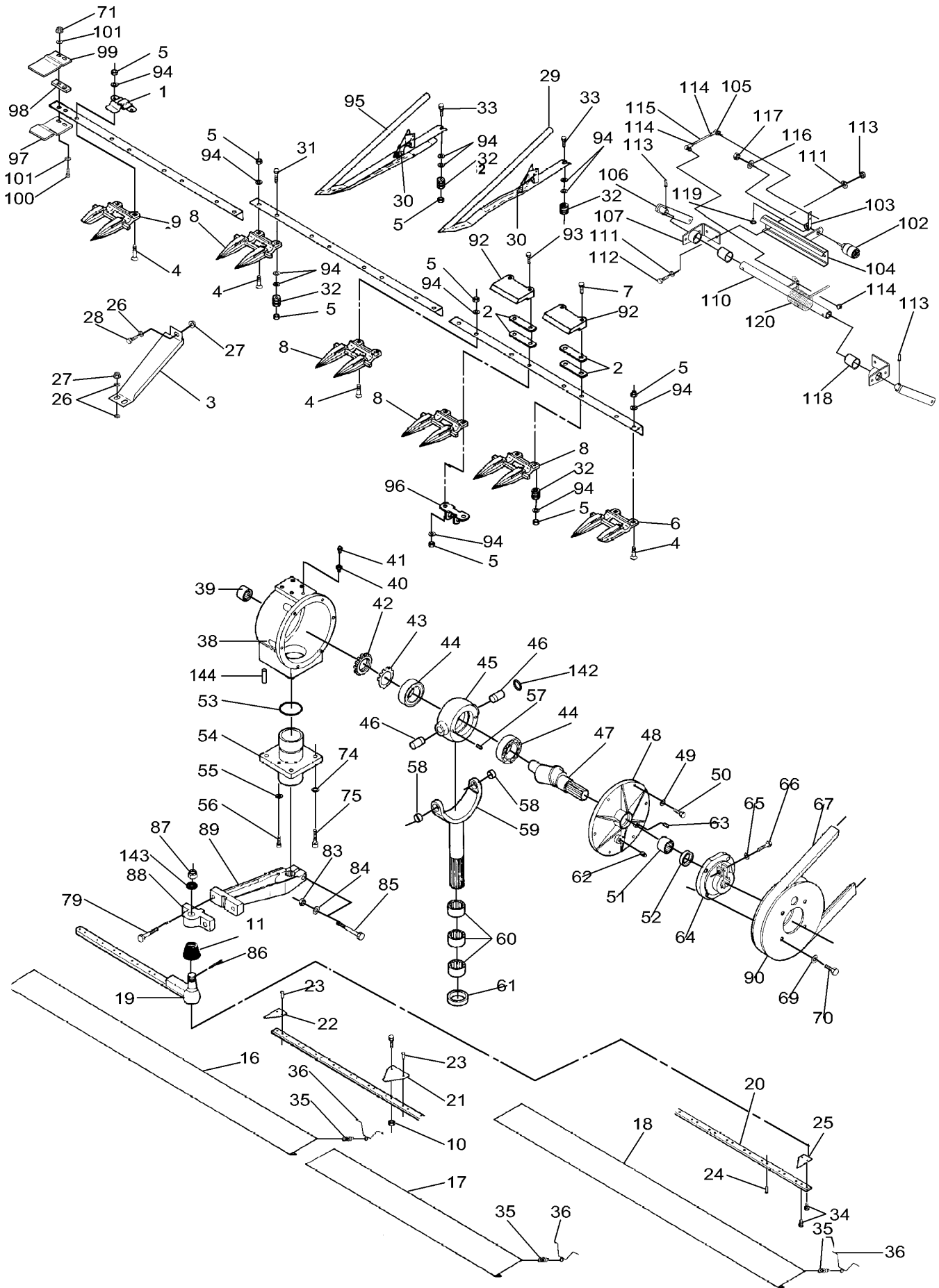


D-ZAAZ-011-A

1	D58285663	20' - 6,16M	2	PLATE	PLAQUE	PLATTE	PLATO
1	D58285664	22' - 6,77M	2	PLATE	PLAQUE	PLATTE	PLATO
2	D58285124		2	SUPPORT	SUPPORT	TRAGER	SOPORTE
4	339123X1	M8 X 20	X	HEX. SOCK. SCREW	VIS TETE HEX	ZYLINDERSCHRAUBE	TORN.CAB.HUECA
5	D20400506		X	WASHER	RONDELLE	SCHEIBE	ARANDELA
6	394367X1	M8	X	NUT	ECROU	MUTTER	TUERCA
7	D58285120		1	GUARD	GARDE	SCHUTZVORR	DEFENSA
8	D58283554		1	PANEL	PANNEAU	WANDPLATTE	PANEL
10	339560X1	[B] M6 X 16	X	HEX. SOCK. SCREW	VIS TETE HEX	ZYLINDERSCHRAUBE	TORN.CAB.HUECA
11	D20400404		X	WASHER	RONDELLE	SCHEIBE	ARANDELA
13	D58285122		1	GUARD	GARDE	SCHUTZVORR	DEFENSA
14	D58285121		1	GUARD	GARDE	SCHUTZVORR	DEFENSA
16	D58285373	▶	1	GUARD	GARDE	SCHUTZVORR	DEFENSA
17	D58285374	◀	1	GUARD	GARDE	SCHUTZVORR	DEFENSA
18	D28285811	[A] 22' - 6,77M	2	WEARPLATE	PLAQUE USURE	TRAGPLATTE	PLACA DE ROCE
18	D28285078	[A] 20' - 6,16M	1	WEARPLATE	PLAQUE USURE	TRAGPLATTE	PLACA DE ROCE
19	D28285812	[A] 22' - 6,77M	1	WEARPLATE	PLAQUE USURE	TRAGPLATTE	PLACA DE ROCE
19	D28285085	[A] 20' - 6,16M	1	WEARPLATE	PLAQUE USURE	TRAGPLATTE	PLACA DE ROCE
20	D28285813	[A] 22' - 6,77M	1	WEARPLATE	PLAQUE USURE	TRAGPLATTE	PLACA DE ROCE
20	D28285084	[A] 20' - 6,16M	1	WEARPLATE	PLAQUE USURE	TRAGPLATTE	PLACA DE ROCE
21	D28285082	[A]	1	WEARPLATE	PLAQUE USURE	TRAGPLATTE	PLACA DE ROCE
22	D28285081	[A]	1	WEARPLATE	PLAQUE USURE	TRAGPLATTE	PLACA DE ROCE
24	D58280359		1	SHUTTER	OBTURATEUR	BLENDENVERSCHLUS	OBTURADOR
25	D58285828	20' - 6,16M	1	TABLE HOUSING	CAISS BAR/COUPE	SCHNEIDWERKGEHA.	CAJA DORS CUCHIL
25	D58285827	22' - 6,77M	1	BODY	CORPS	RUMPF	CUERPO
26	D28251486	22' - 6,77M	4	COVER	COUVERCLE	ABDECKUNG.	CUBIERTA
27	D20400506		X	WASHER	RONDELLE	SCHEIBE	ARANDELA
28	391038X1		X	FLAT WASHER	RONDELLE PLATE	UNTERLEGSCHIEBEN	ARANDELA PLANA
29	D28285194	20' - 6,16M	3	COVER	COUVERCLE	ABDECKUNG.	CUBIERTA
29	D28285194	22' - 6,77M	4	COVER	COUVERCLE	ABDECKUNG.	CUBIERTA
30	339010X1	M8 X 40	X	HEX. SOCK. SCREW	VIS TETE HEX	ZYLINDERSCHRAUBE	TORN.CAB.HUECA
31	D28285651	20' - 6,16M	2	ANGLE.	EQUERRE.	WINKEL	ANGULO
31	D28285652	22' - 6,77M	2	ANGLE.	EQUERRE.	WINKEL	ANGULO
32	339169X1	M8	X	NUT	ECROU	MUTTER	TUERCA
33	D28285197		2	SCRAPER	RACLETTE	KRATZER	PALETA
34	D28286127	20' - 6,16M	2	STRIPPER	DEBOURREUR	ABSTREIFER	DESBARBADOR
34	D28286128	22' - 6,77M	2	SCRAPER	RACLETTE	KRATZER	PALETA
39	D28283984		2	WEARPLATE	PLAQUE USURE	TRAGPLATTE	PLACA DE ROCE
45	339761X1	M8 X 25	X	HEX. SOCK. SCREW	VIS TETE HEX	ZYLINDERSCHRAUBE	TORN.CAB.HUECA
46	D58285264	22' - 6,77M	1	PROTECTOR	PROTECTEUR	SCHUTZ	PROTECTOR
46	D58285763	20' - 6,16M	1	PROTECTOR	PROTECTEUR	SCHUTZ	PROTECTOR
47	D28780381		X	RETAINER	RETENEUR	HALTERING	RETENEDOR
49	D58285590		1	SIDE	COTE	SEITEN	LATERAL
50	D58285375		1	PLATE	PLAQUE	PLATTE	PLATO
51	D58285097		1	BRACE	BRETELLE	HALTEBAND	RIOSTRA
58	394367X1	M8	X	NUT	ECROU	MUTTER	TUERCA
63	D58285263	22' - 6,77M	1	BRACKET	SUPPORT FIXATION	HALTEAMM	SOPORTE
63	D58285767	20' - 6,16M	1	BRACKET	SUPPORT FIXATION	HALTEAMM	SOPORTE
70	D28286101		1	SUPPORT	SUPPORT	TRAGER	SOPORTE
71	D41446200		1	SPLIT PIN	GOUPILLE FENDUE	SPALTBOLZEN	PASADOR HENDIDO
74	D58284758		1	GUARD	GARDE	SCHUTZVORR	DEFENSA
76	D58285175		1	SHIELD	TOLE	SCHILD	BLINDAJE
77	D58285104		1	GUARD	GARDE	SCHUTZVORR	DEFENSA
79	D58285447		1	CONSOLE	CONSOLE	KONSOLE	CONSOLA
80	D58285097		1	BRACE	BRETELLE	HALTEBAND	RIOSTRA
82	D28285446		1	CONSOLE	CONSOLE	KONSOLE	CONSOLA
84	D28285271		3	DOG	CHIEN	KLAUE	PRISIONERO
85	D28285289		1	SUPPORT	SUPPORT	TRAGER	SOPORTE
86	D45050060		1	GAS STRUT	VERIN AMORTISSEU	GASZYLINDER	CILINDRO GAS
87	3009493X1	M10 X 30	26	HEX. SOCK. SCREW	VIS TETE HEX	ZYLINDERSCHRAUBE	TORN.CAB.HUECA
88	D41101900		26	SPRING WASHER	RONDELLE ELASTIQ	FEDERSCHIEBE	ARANDELA ELASTI.
89	D20400419		26	WASHER	RONDELLE	SCHEIBE	ARANDELA
90	D43419900		1	LOCK	SERRURE	SCHLOSS	CERRADURA

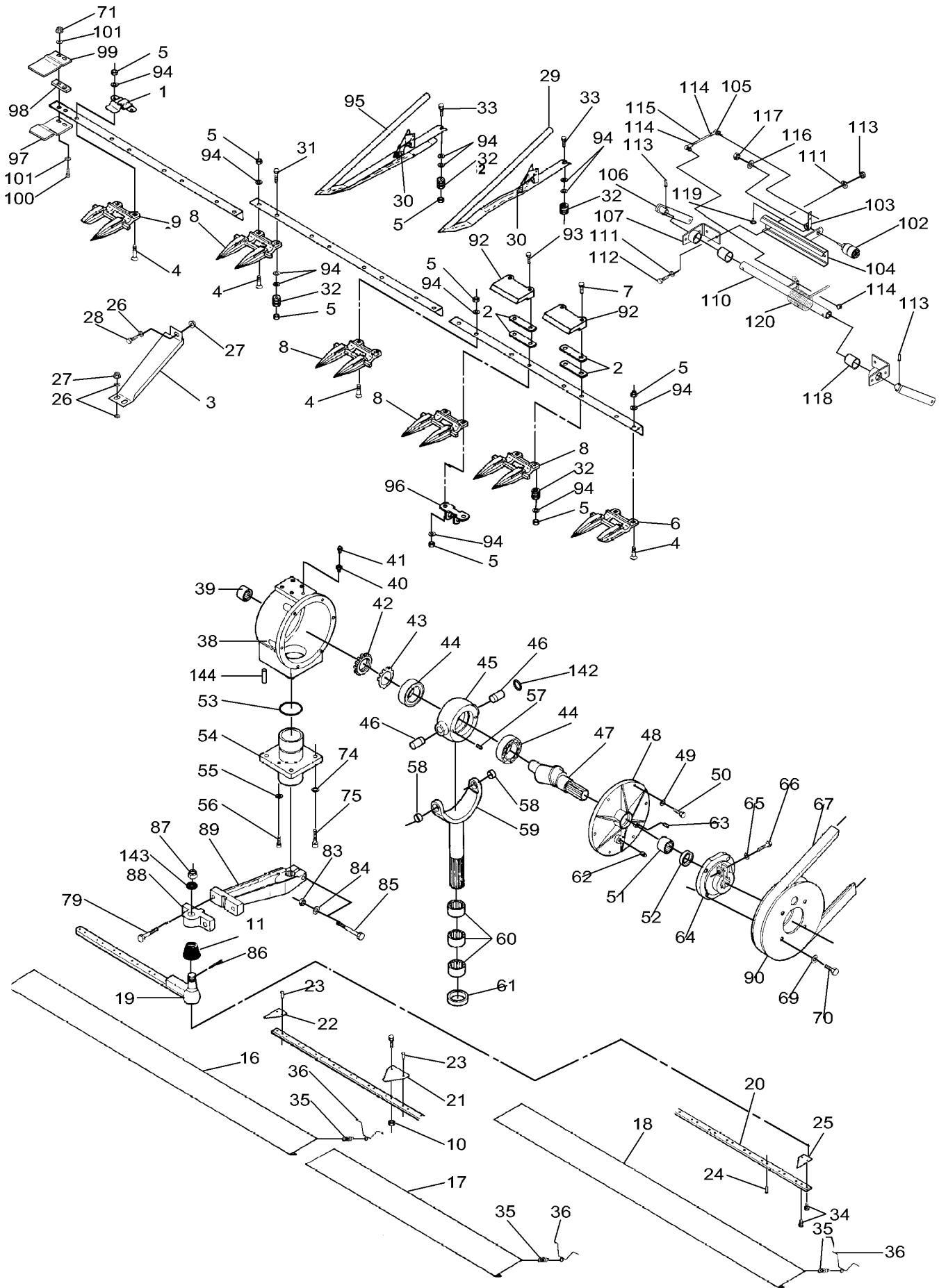
[A] BOTH AL AND STD
 ENSEMBLE AL ET STD
 SOWOHL AL ALS AUCH STD
 CABEZAL AL Y STD

[B] NOT ILLUSTRATED
 NON ILLUSTRÉ
 NICHT ILLUSTRIRT
 NO ILUSTRADO



D-ZAAA-006-B

1	D28283934		24	CLIP	PATTE D'ATTACHE	SHELLE	CLIP
2	D28230292		4	SHIM	CALE REGLAGE	AUSGLEICHSCHLEIBE	CALCE
3	D58281572		1	GUARD	GARDE	SCHUTZVORR	DEFENSA
4	D40551500		X	BOLT	BOULON	BOLZEN	BULON
5	339402X1	M10	X	NUT SPECIAL	ECROU SPECIAL	SPEZIALMUTTER	TUERCA ESPECIAL
6	D44104700	◀	1	FINGER	DOIGT	FINGER	DEDO
7	D40067600		2	SCREW	VIS	SCHRAUBE	TORNILLO
8	D44104500		55	FINGER	DOIGT	FINGER	DEDO
9	D44104600	▶	1	FINGER	DOIGT	FINGER	DEDO
10	1441462X1	M6	X	LOCKNUT	ECROU FREIN	SICHERUNGSMUTTER	CONTRATUERCA
11	D44120500		1	CAP	CHAPEAU	KAPPE	TAPA
16	D28230830		X	GUARD	GARDE	SCHUTZVORR	DEFENSA
16	D28230842		X	GUARD	GARDE	SCHUTZVORR	DEFENSA
16	D28230845		X	GUARD	GARDE	SCHUTZVORR	DEFENSA
17	D28230843		X	GUARD	GARDE	SCHUTZVORR	DEFENSA
18	D28230830		X	GUARD	GARDE	SCHUTZVORR	DEFENSA
18	D28230844		X	GUARD	GARDE	SCHUTZVORR	DEFENSA
18	D28230842		X	GUARD	GARDE	SCHUTZVORR	DEFENSA
19	D28285042	CPL.	1	KNIFE	COUDEAU	MESSER	CUCHILLA
19	D28283011		2	TOGGLE	ROTULE	GELENKZAPFEN	ROTULA
20	D28285041		2	KNIFE BACK	BARRE DE COUPE	MESSERRUECKEN	DORSO CUCHILLA
21	D44103700		X	SECTION	SECTION	ABSCHNITT	SECCION
22	D44103800		X	HALF SECTION	DEMI SECTION	ABSCHLUSSBLECH	MEDIA SECCION
23	D41306100		X	RIVET	RIVET	NIET	REMACHE
24	D41306200		X	RIVET	RIVET	NIET	REMACHE
25	D44104000	◀	X	HALF SECTION	DEMI SECTION	ABSCHLUSSBLECH	MEDIA SECCION
26	D20400506		3	WASHER	RONDELLE	SCHLEIBE	ARANDELA
27	394367X1	M8	3	NUT	ECROU	MUTTER	TUERCA
28	339123X1	M8 X 20	1	HEX. SOCK. SCREW	VIS TETE HEX	ZYLINDERSCHRAUBE	TORN.CAB.HUECA
29	D49040900		X	EAR LIFTER	RELEVEUR EPIS	AEHRENHEBER	LEVANTAMIESES
30	D49040400		X	SPRING	RESSORT	FEDER	MUELLE
31	339019X1	M10 X 50	X	HEX. SOCK. SCREW	VIS TETE HEX	ZYLINDERSCHRAUBE	TORN.CAB.HUECA
32	D49040600		X	ROLLER	GALET	ROLLE	RODILLO
33	339019X1	M10 X 50	X	HEX. SOCK. SCREW	VIS TETE HEX	ZYLINDERSCHRAUBE	TORN.CAB.HUECA
34	339560X1	M6 X 16	X	HEX. SOCK. SCREW	VIS TETE HEX	ZYLINDERSCHRAUBE	TORN.CAB.HUECA
35	D26500317		X	SPRING	RESSORT	FEDER	MUELLE
36	D28230841		X	SPRING	RESSORT	FEDER	MUELLE
38	D28281067	[A]	1	WOBBLE DRIVE	BOITIER COMMANDE	TAUMELANTRIEB	MANDO OSCILANTE
38	D44127800	[A]	1	BOX	BOITE	DOSE	CAJA
38	D28281324	[B]	1	WOBBLE DRIVE	BOITIER COMMANDE	TAUMELANTRIEB	MANDO OSCILANTE
38	D44126500	[B]	1	BOX	BOITE	DOSE	CAJA
39	D44128800		1	BEARING NEEDLE	ROULEMENT AIGUIL	NADELLAGER	COJINETA AGUJAS
40	D44129400		1	CONNECTOR	BORNE.	DOPPELNIPPEL	CONECTOR
41	D46116500		1	VALVE	SOUPAPE	VENTIL	VALVULA
42	D44129100		1	NUT	ECROU	MUTTER	TUERCA
43	D44129200		1	WASHER	RONDELLE	SCHLEIBE	ARANDELA
44	D41668400		2	ROLLER BEARING	ROULEMENT GALETS	ROLLENLAGER	COJINETE RODILLO
45	D44127900	[A]	1	HOUSING	CARTER	GEHAEUSE	ALOJAMIENTO
45	D44126400	[B]	1	HOUSING	CARTER	GEHAEUSE	ALOJAMIENTO
46	D44128000	[A]	2	JOURNAL	TENON	LAGERZAPFEN	GORRON
46	D44125900	[B]	1	JOURNAL	TENON	LAGERZAPFEN	GORRON
47	D44129300		1	SHAFT	ARBRE	WELLE	ARBOL
48	D44128200	[A]	1	COVER	COUVERCLE	ABDECKUNG.	CUBIERTA
48	D44126300	[B]	1	COVER	COUVERCLE	ABDECKUNG.	CUBIERTA
49	D41102100		6	WASHER	RONDELLE	SCHLEIBE	ARANDELA
50	339123X1	M8 X 20	6	HEX. SOCK. SCREW	VIS TETE HEX	ZYLINDERSCHRAUBE	TORN.CAB.HUECA
51	D41669700		1	BEARING NEEDLE	ROULEMENT AIGUIL	NADELLAGER	COJINETA AGUJAS
52	D45412000		1	GASKET	JOINT	FLACHDICHTUNG	JUNTA PLANA
53	D45481500		1	O RING	JOINT TORIQUE	O-RING	JUNTA TOROIDAL
54	D44128300	[A]	1	BEARING CARRIER	PALIER	LAGER GEHAEUSE	COJINETE APOYO
54	D44126200	[B]	1	BEARING CARRIER	PALIER	LAGER GEHAEUSE	COJINETE APOYO
55	D41102100		2	WASHER	RONDELLE	SCHLEIBE	ARANDELA
56	D40697200	[A]	2	SCREW	VIS	SCHRAUBE	TORNILLO
56	D40697700	[B]	2	SCREW	VIS	SCHRAUBE	TORNILLO
57	D40639600	[A]	2	PIN	GOUPILLE	STIFT	PASADOR
58	D44128400	[A]	2	BUSH	BAGUE	RING	CASQUILLO
58	D44126100	[B]	2	BUSH	BAGUE	RING	CASQUILLO
59	D44128500	[A]	1	YOKE	CHAPE ARTICULAT	GELENKGABEL	YUGO
59	D44126000	[B]	1	YOKE	CHAPE ARTICULAT	GELENKGABEL	YUGO
60	D41669800		3	BEARING NEEDLE	ROULEMENT AIGUIL	NADELLAGER	COJINETA AGUJAS
61	D45409500		1	GASKET	JOINT	FLACHDICHTUNG	JUNTA PLANA
62	D44128600		1	PLUG	BOUCHON	STOPFEN	TAPON
63	D45236200		1	PLUG	BOUCHON	STOPFEN	TAPON
64	D44127100		1	HUB	MOYEU	NABE	CUBO
65	D41100900		1	SPRING WASHER	RONDELLE ELASTIQ	FEDERSCHLEIBE	ARANDELA ELASTI.
66	D40694000		1	SCREW	VIS	SCHRAUBE	TORNILLO
67	D41986300		1	V BELT	COURROIE TRAPEZ	KEILRIEMEN	CORREA EN V
69	D20400426		4	WASHER	RONDELLE	SCHLEIBE	ARANDELA
70	1440716X1	M12 X 30	4	HEX. SOCK. SCREW	VIS TETE HEX	ZYLINDERSCHRAUBE	TORN.CAB.HUECA
71	394367X1	M8	2	NUT	ECROU	MUTTER	TUERCA
74	D20400522		4	SPACER	ENTRETOISE	ABSTANDSTUECK	DISCO ESPACIADOR



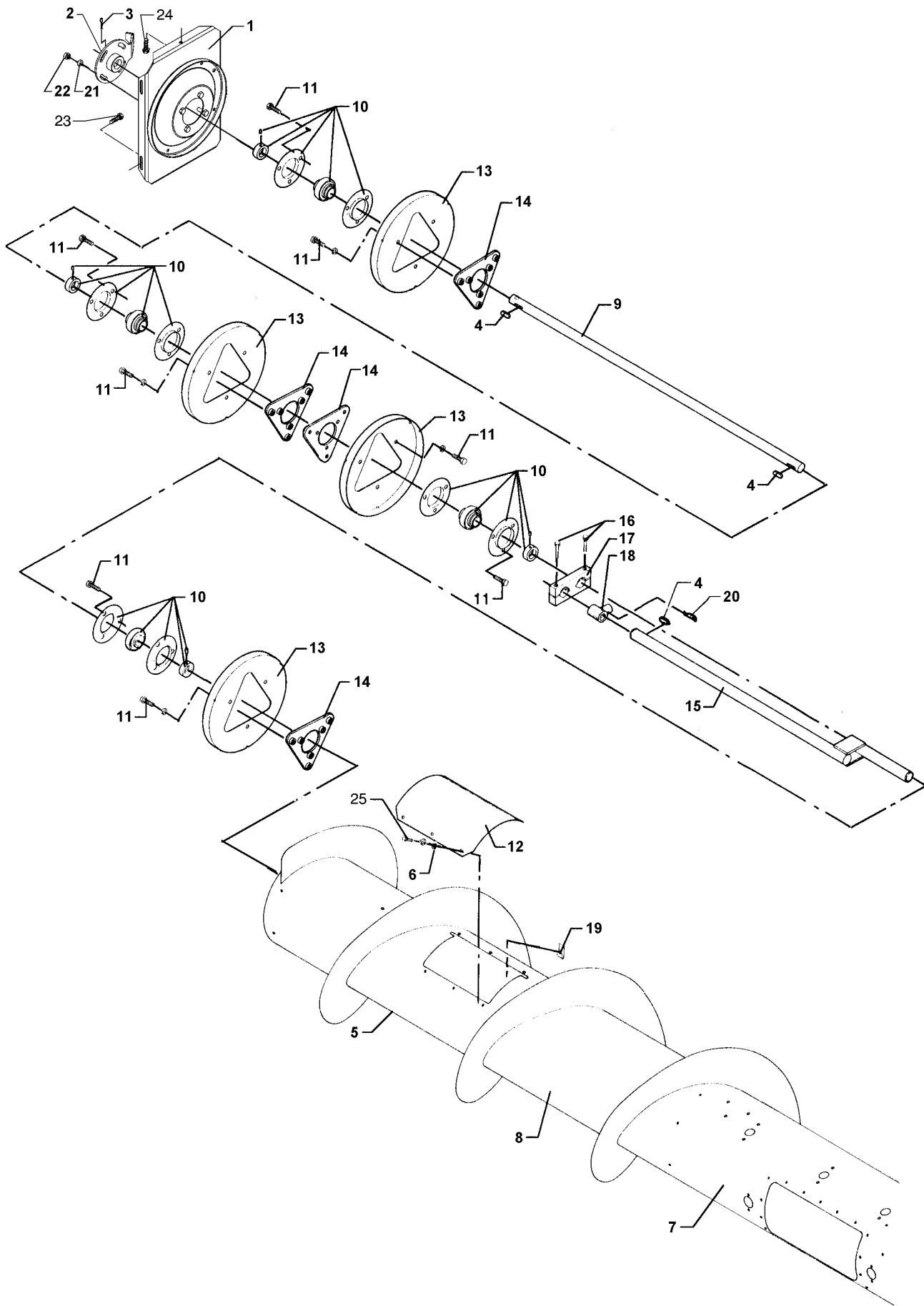
D-ZAAA-006-B

75	D40465100		4	SCREW	VIS	SCHRAUBE	TORNILLO
79	D40698400		2	SCREW	VIS	SCHRAUBE	TORNILLO
83	1442190X1	M12	X	LOCKNUT	ECROU FREIN	SICHERUNGSMUTTER	CONTRATUERCA
84	D20400428		1	WASHER	RONDELLE	SCHEIBE	ARANDELA
85	390826X1	M12 X 100	1	HEX. SOCK. SCREW	VIS TETE HEX	ZYLINDERSCHRAUBE	TORN.CAB.HUECA
86	391423X1	∅ 4 X 40	1	SPLIT PIN	GOUPILLE FENDUE	SPALTBOLZEN	PASADOR HENDIDO
87	D41054300		1	NUT	ECROU	MUTTER	TUERCA
88	D44126900		1	FLANGE	FLASQUE	FLANSCH	PLETINA
89	D44127000		1	SWIVEL ARM	BRAS PIVOT	SCHWENKARM	BRAZO OSCILANTE
90	D44127200		1	PULLEY	POULIE	RIEMENSCHLEIBE	POLEA
92	D28260362		2	CLIP	PATTE D'ATTACHE	SCHELLE	CLIP
93	1441671X1	M10 X 50	X	SCREW SPECIAL	VIS SPECIALE	SPEZIALSCHRAUBE	TORNILLO ESPEC.
94	D20400419		X	WASHER	RONDELLE	SCHEIBE	ARANDELA
95	D49040300		X	EAR LIFTER	RELEVEUR EPIS	AEHRENHEBER	LEVANTAMIESES
96	D28284356		4	FITTING	MONTAGE	ANSCHL.VERSCHRBG	ACCESORIO.
97	D28281576		1	PLATE	PLAQUE	PLATTE	PLATO
98	D28281575		1	SHIM	CALE REGLAGE	AUSGLEICHSCHEIBE	CALCE
99	D28281574		1	PLATE	PLAQUE	PLATTE	PLATO
100	339009X1	M8 X 35	2	HEX. SOCK. SCREW	VIS TETE HEX	ZYLINDERSCHRAUBE	TORN.CAB.HUECA
101	D20400506		2	WASHER	RONDELLE	SCHEIBE	ARANDELA
102	D28780523		2	POTENTIOMETER	POTENTIOMETRE	POTENTIOMETER	REGULADOR ELECT.
103	D28284361		2	CONNECTING LINK	BARRE CONNEXION	VERSCHLUSSGLIED	MALLA UNION
104	D28285250		2	SUPPORT	SUPPORT	TRAGER	SOPORTE
105	D46437300		4	TOGGLE	ROTULE	GELENKZAPFEN	ROTULA
106	D28285198		4	ARM	BRAS	SCHARHEBEL	BRAZO
107	D28285073		2	CLAMP	COLLIER	HALTESCHELLE	ABRAZADERA
108	D28285072	[C]	2	BUSH	BAGUE	RING	CASQUILLO
109	339390X1	[C] ∅ 8 X 30	4	PIN	GOUPILLE	STIFT	PASADOR
110	D28285251		2	SHAFT	ARBRE	WELLE	ARBOL
111	D20400413		16	WASHER	RONDELLE	SCHEIBE	ARANDELA
112	339761X1	M8 X 25	8	HEX. SOCK. SCREW	VIS TETE HEX	ZYLINDERSCHRAUBE	TORN.CAB.HUECA
113	394367X1	M8	8	NUT	ECROU	MUTTER	TUERCA
114	D41010600	M6	4	NUT	ECROU	MUTTER	TUERCA
115	D28780446		2	ROD	TRINGLE	STANGE	VARILLA
116	D20400404		2	WASHER	RONDELLE	SCHEIBE	ARANDELA
117	1441462X1	M6	2	LOCKNUT	ECROU FREIN	SICHERUNGSMUTTER	CONTRATUERCA
118	D28284456		4	BUSH	BAGUE	RING	CASQUILLO
119	D40464900		2	SCREW	VIS	SCHRAUBE	TORNILLO
120	D28285087		2	SPIRAL	SPIRALE	SPIRALE	ESPIRAL
142	D45483000	[B]	1	O RING	JOINT TORIQUE	O-RING	JUNTA TOROIDAL
143	D20400438		1	WASHER	RONDELLE	SCHEIBE	ARANDELA
144*	D42650400		2	PIN	GOUPILLE	STIFT	PASADOR

[A] USED ONLY IN KNIFE DRIVES WITH 6 HOLES IN BEARING HOUSING BOTTOM
UTILISER SEULEMENT AUX TRANSMISSIONS DE LAME A 6 TROUS PERCES AU FOND DU PALIER
NUR IN MESSERANTRIEBEN MIT 6 LOCHERN AM LAGERGEHAUSEBODEN VERWENDET
UTILIZAR SOLAMENTE A LAS TRANSMISIONES DE LAMINADO A 6 HOYOS PERFORADOS EN EL FONDO DEL
DESCANSILLO

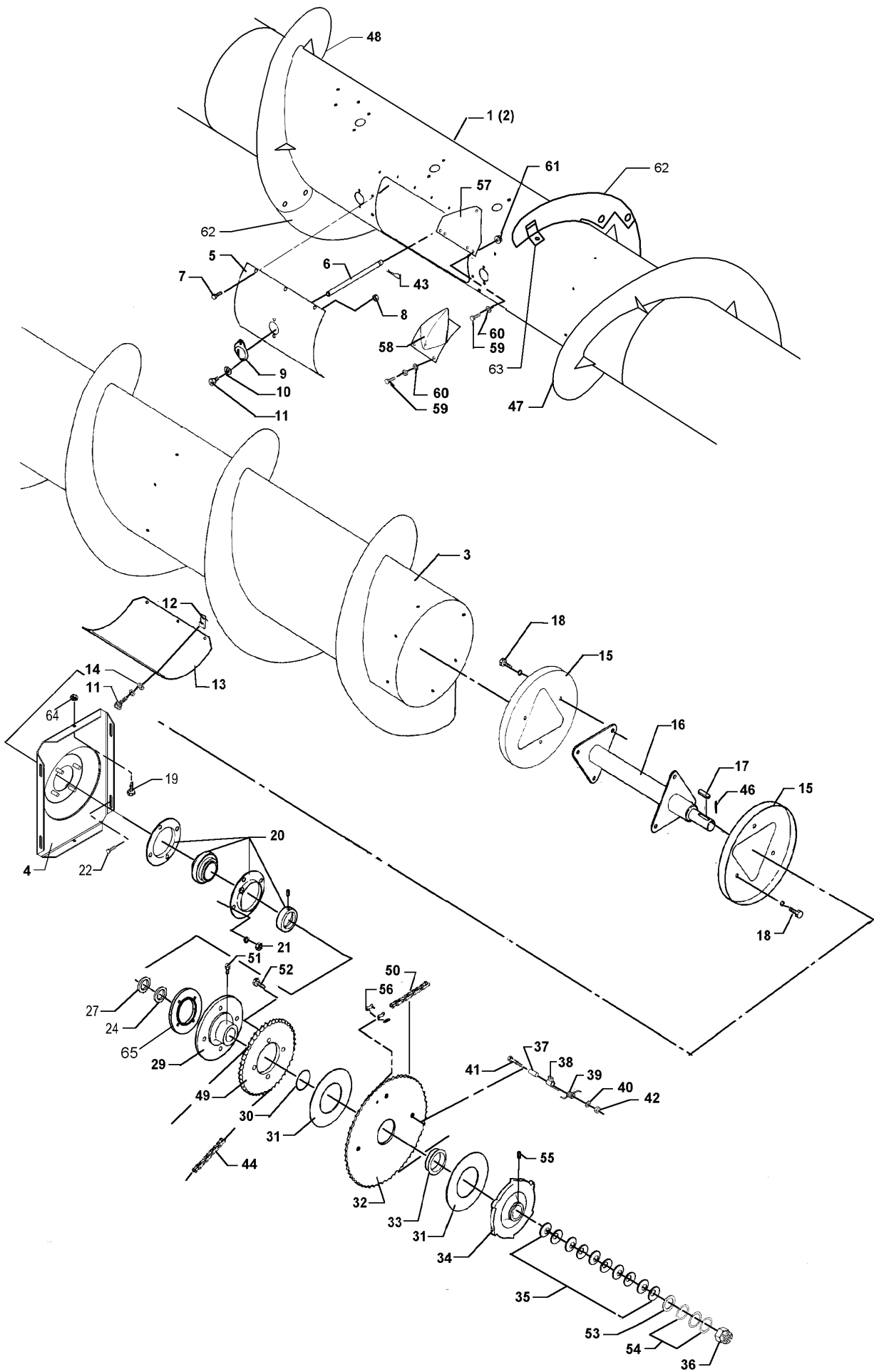
[B] USED ONLY IN KNIFE DRIVES WITH 8HOLES IN BEARING HOUSING BOTTOM AND BULGES SIDES
UTILISER SEUL. AUX TRANSMIS DE LAMES A 8 TROUS PERCES AU FOND PALIER ET CONV. COTES
NUR IN MESSERANTRIEBEN MIT 8 LOCHERN AM LAGERGEHAU UND AUSBAU. AN DEN SEITEN VERWENDET
UTILIZAR SOLO A LAS TRANSISIONES DE LAMAS A 8 HOYO S PERFORADOS AL FONDO DESCANSILLO Y CONV.

[C] NOT ILLUSTRATED
NON ILLUSTRÉ
NICHT ILLUSTRIRT
NO ILUSTRADO



D-ZAAB-004-A

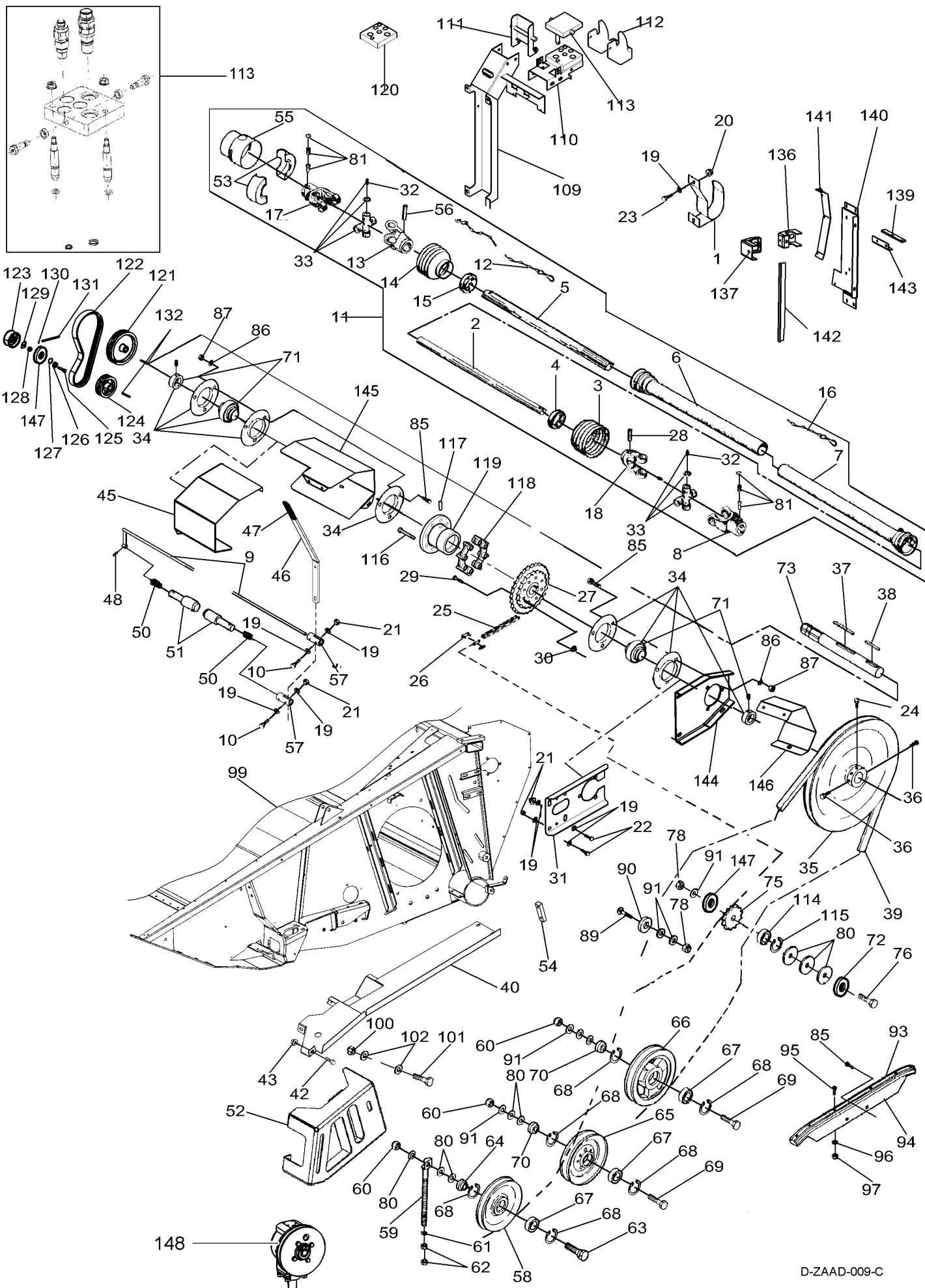
1	D28285102		1	COVER	COUVERCLE	ABDECKUNG.	CUBIERTA
2	D28285130		1	FITTING	MONTAGE	ANSCHL.VERSCHRBG	ACCESORIO.
3	D40633000		1	PIN	GOUPILLE	STIFT	PASADOR
4	339441X1		2	KEY PARALLEL	CLAVETTE PARALEL	PASSFEDER	CHAVETA PLANA
5	D28285135		1	TUBE	TUBE	ROHR	TUBO.
6	391038X1		X	FLAT WASHER	RONDELLE PLATE	UNTERLEGSCHNEIBEN	ARANDELA PLANA
7	D28285028		1	TUBE	TUBE	ROHR	TUBO.
8	D28286141		1	AUGER	VIS SANS FIN	FOERDERSCHNECKE	SINFIN
9	D28285129		1	SHAFT	ARBRE	WELLE	ARBOL
10	D41707800		2	BEARING	COUSSINET	LAGER	COJINETE
11	339814X1	M10 X 35	X	HEX. SOCK. SCREW	VIS TETE HEX	ZYLINDERSCHRAUBE	TORN.CAB.HUECA
12	D28285312		2	COVER	COUVERCLE	ABDECKUNG.	CUBIERTA
13	D28280014		4	PLATE	PLAQUE	PLATTE	PLATO
14	D28283847		4	BEARING PLATE	PLAQUE ROULEMENT	LAGERPLATTE	PLACA DE APOYO
15	D28285977		1	CRANKSHAFT	VILEBREQUIN	KURBELWELLE	CIGÜEÑAL
16	3009498X1	M10 X 55	2	HEX. SOCK. SCREW	VIS TETE HEX	ZYLINDERSCHRAUBE	TORN.CAB.HUECA
17	D28283039		1	ARM	BRAS	SCHARHEBEL	BRAZO
18	D28251831		19	BEARING CARRIER	PALIER	LAGER GEHAUSE	COJINETE APOYO
19	D43428200	M6	12	NUT	ECROU	MUTTER	TUERCA
20	D28283853		X	HAIR PIN	EPINGLE	SICHERUNGSFEDER	RETENEDOR ELAST
21	D20400423		4	FLAT WASHER	RONDELLE PLATE	UNTERLEGSCHNEIBEN	ARANDELA PLANA
22	1442190X1	M12	4	LOCKNUT	ECROU FREIN	SICHERUNGSMUTTER	CONTRATUERCA
23	390809X1	M10 X 25	4	SCREW SPECIAL	VIS SPECIALE	SPEZIALSCHRAUBE	TORNILLO ESPEC.
24	D40409400		1	SCREW METRIC	VIS METRIQUE	SCHRAUBE METR	TORNILLO METRICO
25	339666X1	M6 X 20	6	HEX. SOCK. SCREW	VIS TETE HEX	ZYLINDERSCHRAUBE	TORN.CAB.HUECA



D-ZAAC-004-C

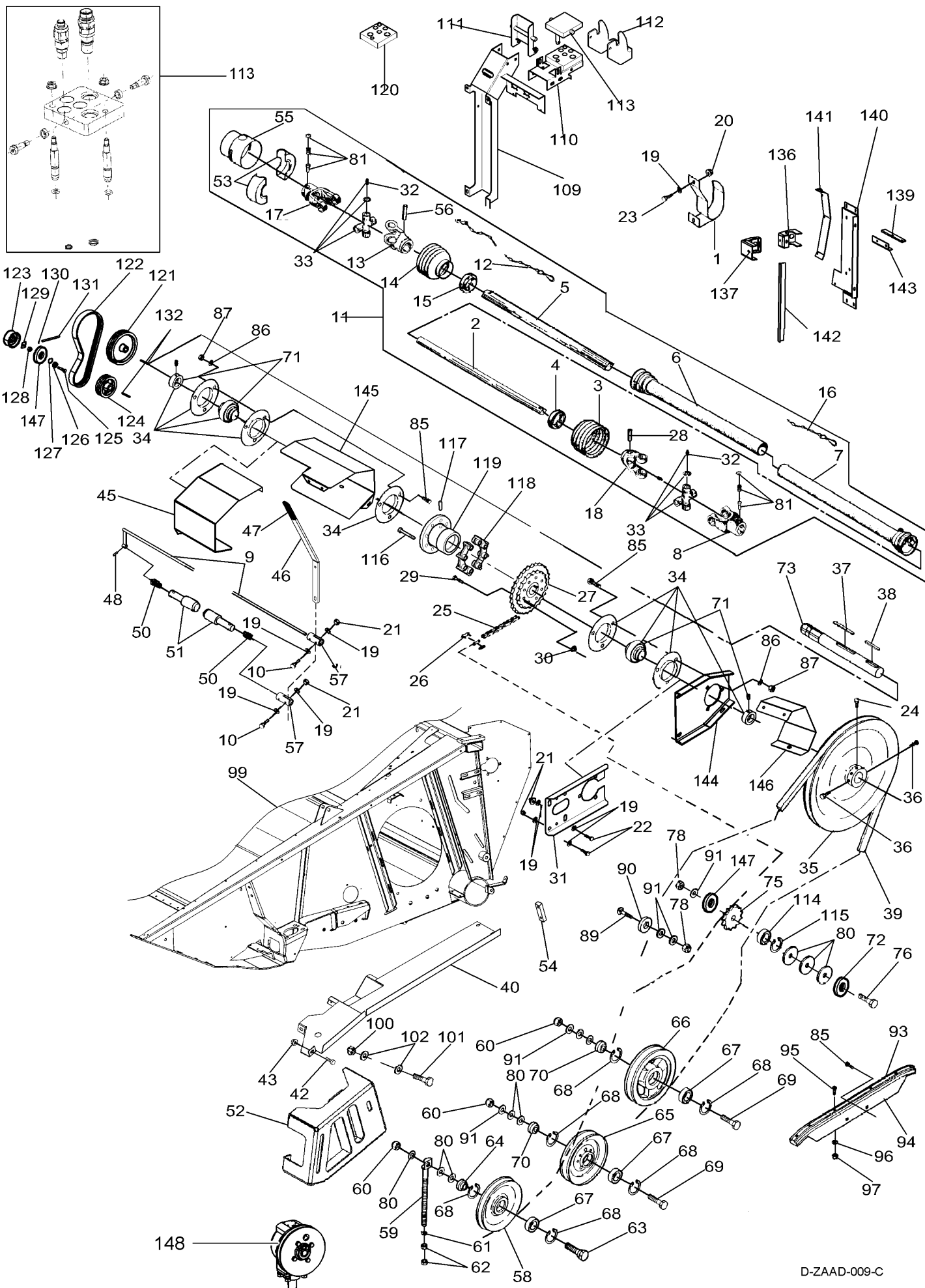
1	D28286141		1	AUGER	VIS SANS FIN	FOERDERSCHNECKE	SINFIN
2	D28285028		1	TUBE	TUBE	ROHR	TUBO.
3	D28285134		1	TUBE	TUBE	ROHR	TUBO.
4	D28285102		1	COVER	COUVERCLE	ABDECKUNG.	CUBIERTA
5	D28283078		1	COVER	COUVERCLE	ABDECKUNG.	CUBIERTA
6	D28283815		19	FINGER	DOIGT	FINGER	DEDO
7	339560X1	M6 X 16	8	HEX. SOCK. SCREW	VIS TETE HEX	ZYLINDERSCHRAUBE	TORN.CAB.HUECA
8	1441462X1	M6	X	LOCKNUT	ECROU FREIN	SICHERUNGSMUTTER	CONTRATUERCA
9	D28283060		19	BUSH	BAGUE	RING	CASQUILLO
10	D20400404		X	WASHER	RONDELLE	SCHEIBE	ARANDELA
11	339666X1	M6 X 20	X	HEX. SOCK. SCREW	VIS TETE HEX	ZYLINDERSCHRAUBE	TORN.CAB.HUECA
12	D43428200	M6	6	NUT	ECROU	MUTTER	TUERCA
13	D28285312		X	COVER	COUVERCLE	ABDECKUNG.	CUBIERTA
14	391038X1		6	FLAT WASHER	RONDELLE PLATE	UNTERLEGSCHIEBEN	ARANDELA PLANA
15	D28280014		2	PLATE	PLAQUE	PLATTE	PLATO
16	D28285100		1	DRIVE SHAFT	ARBRE DE CDE	ANTRIEBSWELLE	EJE MOTRIZ
17	339441X1		1	KEY PARALLEL	CLAVETTE PARALEL	PASSFEDER	CHAVETA PLANA
18	339814X1	M10 X 35	X	HEX. SOCK. SCREW	VIS TETE HEX	ZYLINDERSCHRAUBE	TORN.CAB.HUECA
19	D40409400		1	SCREW METRIC	VIS METRIQUE	SCHRAUBE METR	TORNILLO METRICO
20	D41716500		1	BEARING	COUSSINET	LAGER	COJINETE
21	3009695X1	M12	4	NUT	ECROU	MUTTER	TUERCA
22	390809X1	M10 X 25	4	SCREW SPECIAL	VIS SPECIALE	SPEZIALSCHRAUBE	TORNILLO ESPEC.
24	D41653500		1	WASHER	RONDELLE	SCHEIBE	ARANDELA
27	D41653500		1	WASHER	RONDELLE	SCHEIBE	ARANDELA
29	D28283004		1	WASHER	RONDELLE	SCHEIBE	ARANDELA
30	D45481600		1	O RING	JOINT TORIQUE	O-RING	JUNTA TOROIDAL
31	* D45904300		2	FRICTION DISC	DISQUE FRICTION	REIBSCHEIBE	DISCO FRICCION
32	D28285443		4	SPROCKET	BARBOTIN	KETTENRAD	RUEDA DE CADENA
33	D28286049		1	INSERT	DOUILLE	EINSATZSTUECK	INSERCIÓN
34	D28286166		1	CLUTCH DISC	DISQUE EMBRAYAGE	KUPPLUNGSSCHEIBE	DISCO DE EMBRAGU
35	D41112400		10	WASHER	RONDELLE	SCHEIBE	ARANDELA
36	D41054100		1	CASTLE NUT	ECROU A CRENEAU	KRONENMUTTER	TUERCA CON MUES.
37	D28281431	➔ 940222	1	SPACER	ENTRETOISE	ABSTANDSTUECK	DISCO ESPACIADOR
37	D28282429	➔ 941444	1	BUSH	BAGUE	RING	CASQUILLO
38	D28281432	➔ 941444	1	SUPPORT	SUPPORT	TRAGER	SOPORTE
38	D28282430	➔ 940222	1	DOG	CHIEN	KLAUE	PRISIONERO
39	D28283006	➔ 940222	1	SPRING	RESSORT	FEDER	MUELLE
39	D28282433	➔ 941444	1	SPRING	RESSORT	FEDER	MUELLE
40	390734X1	➔ 940222	1	FLAT WASHER	RONDELLE PLATE	UNTERLEGSCHIEBEN	ARANDELA PLANA
41	3009498X1	M10X55	1	HEX. SOCK. SCREW	VIS TETE HEX	ZYLINDERSCHRAUBE	TORN.CAB.HUECA
		➔ 940222					
42	1440329X1	M10	1	LOCKNUT	ECROU FREIN	SICHERUNGSMUTTER	CONTRATUERCA
		➔ 940222					
43	D28283853		X	HAIR PIN	EPINGLE	SICHERUNGSFEDER	RETENEDOR ELAST
44	D42332800		1	CHAIN	CHAINE	KETTE	CADENA
46	354066X1	5/32" X 1	1	SPLIT PIN	GOUPILLE FENDUE	SPALTBOLZEN	PASADOR HENDIDO
47	D28285031		1	SPIRAL	SPIRALE	SPIRALE	ESPIRAL
48	D28285029		1	SPIRAL	SPIRALE	SPIRALE	ESPIRAL
49	D28285470		1	SPROCKET	BARBOTIN	KETTENRAD	RUEDA DE CADENA
50	D42329200		1	CHAIN	CHAINE	KETTE	CADENA
51	339761X1	M8 X 25	1	HEX. SOCK. SCREW	VIS TETE HEX	ZYLINDERSCHRAUBE	TORN.CAB.HUECA
52	339123X1	M8 X 20	4	HEX. SOCK. SCREW	VIS TETE HEX	ZYLINDERSCHRAUBE	TORN.CAB.HUECA
53	D20400520		1	SPACER	ENTRETOISE	ABSTANDSTUECK	DISCO ESPACIADOR
54	D20400522		4	SPACER	ENTRETOISE	ABSTANDSTUECK	DISCO ESPACIADOR
55	1441858X1		1	GREASE FITTING	GRAISSEUR	DRUCKSCHMIERKOPF	ENGRASADOR
56	D42365500		1	LINK	MAILLON	GLIED	ESLABON
57	D28281694	[A]	4	THREADED PART	PIECE FILETEE	GEWINDESTUECK	VARILLA ROSCADO
		➔ 61489					
58	D28283297	[A]	4	FINGER	DOIGT	FINGER	DEDO
		➔ 61489					
59	339123X1	M8 X 20	X	HEX. SOCK. SCREW	VIS TETE HEX	ZYLINDERSCHRAUBE	TORN.CAB.HUECA
60	D20400506		X	WASHER	RONDELLE	SCHEIBE	ARANDELA
61	394367X1	M8	X	NUT	ECROU	MUTTER	TUERCA
62	D28285974	◀	1	AUGER	VIS SANS FIN	FOERDERSCHNECKE	SINFIN
62	D28285975	▶	1	AUGER	VIS SANS FIN	FOERDERSCHNECKE	SINFIN
63	D28285981		2	BRACKET	SUPPORT FIXATION	HALTEAMM	SOPORTE
64	339402X1	M10	2	NUT SPECIAL	ECROU SPECIAL	SPEZIALMUTTER	TUERCA ESPECIAL
65	*D28285426		1	SHIM	CALE REGLAGE	AUSGLEICHSCHEIBE	CALCE

[A] OPTIONAL EQUIPMENT STANDARD COMBINE, STANDARD EQUIPMENT AUTO LEVEL COMBINE, SLOPES
 EQUIP. ACCESSOIRES MOISSONNEUSE BATTEUSE STAND. - STANDARD EQUIPMENT MOISSONNEUSE-BAT.
 AUTO LEVEL
 ZONDERZUBEHÖR STANDARD MASCHINE, STANDARD AUSRÜSTUNG AUTO LEVEL MASCHINE
 EQUIPO OPCIONAL, COSECHADORA ESTANDAR EQUIP. - COSECHADORA AUTONIVELACION



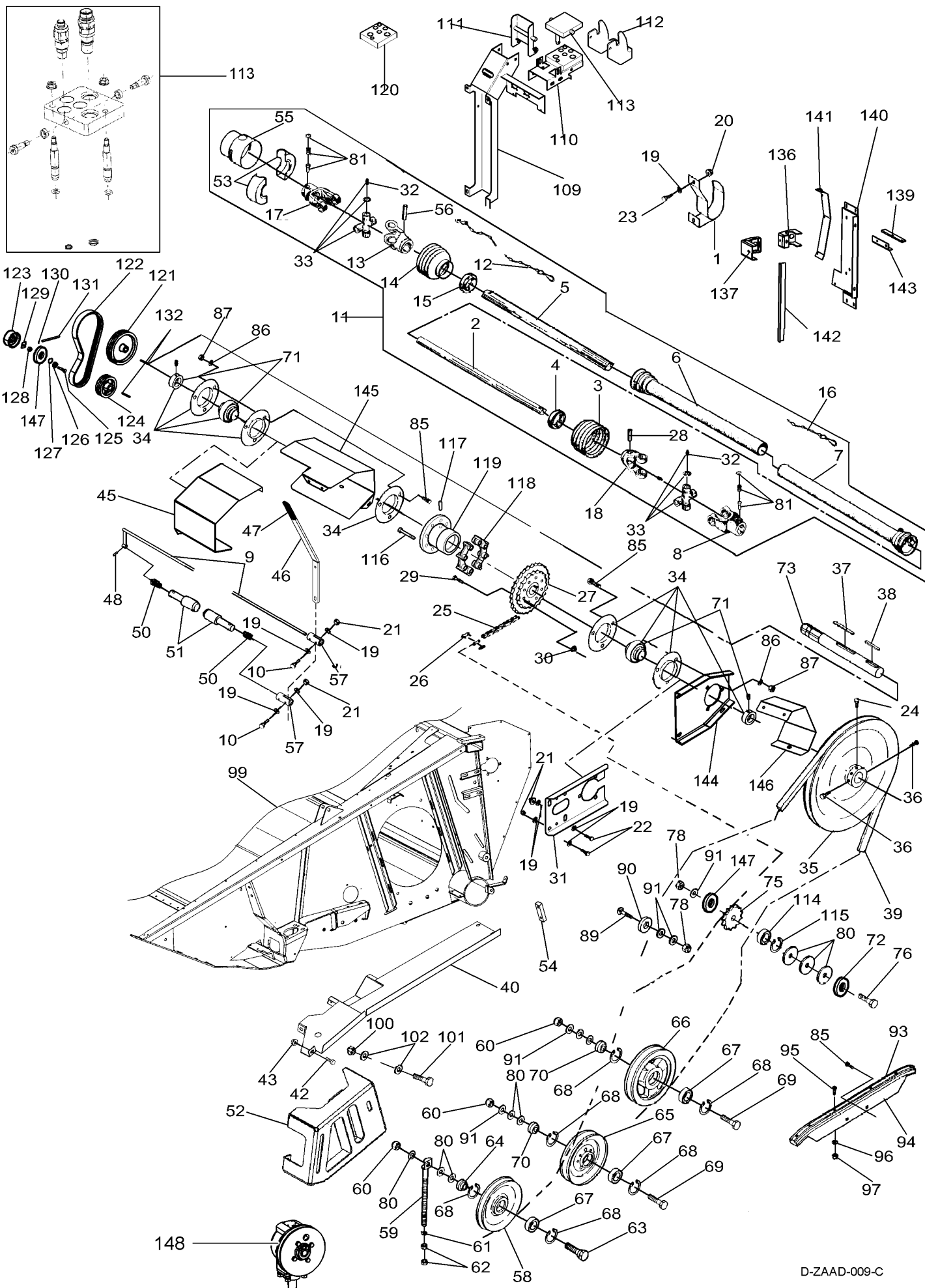
D-ZAAD-009-C

1	D58281345		1	STIRRUP	ETRIER	BUEGEL	FUACION
2	D45634600		1	TUBE	TUBE	ROHR	TUBO.
3	D45634900		1	GUARD	GARDE	SCHUTZVORR	DEFENSA
4	D45635100		1	SHIELD	TOLE	SCHILD	BLINDAJE
5	D45634500		1	TUBE	TUBE	ROHR	TUBO.
6	D45634800		1	TUBE	TUBE	ROHR	TUBO.
7	D45634700		1	TUBE	TUBE	ROHR	TUBO.
8	D45634100		2	YOKE	CHAPE ARTICULAT	GELENKGABEL	YUGO
9	D28285117		1	ROD	TRINGLE	STANGE	VARILLA
10	339168X1	M8 X 50	X	HEX. SOCK. SCREW	VIS TETE HEX	ZYLINDERSCHRAUBE	TORN.CAB.HUECA
11	D45609500	➔ 942481	1	SHAFT	ARBRE	WELLE	ARBOL
11	D28273972	➔ 942482	1	SHAFT	ARBRE	WELLE	ARBOL
		WWHU					
12	D45635500		1	CHAIN	CHAINE	KETTE	CADENA
13	D45634400		1	YOKE	CHAPE ARTICULAT	GELENKGABEL	YUGO
14	D45635000		1	GUARD	GARDE	SCHUTZVORR	DEFENSA
15	D45635200		1	SHIELD	TOLE	SCHILD	BLINDAJE
16	D45681800		1	CHAIN	CHAINE	KETTE	CADENA
17	D45634200		1	YOKE	CHAPE ARTICULAT	GELENKGABEL	YUGO
18	D45634300		1	YOKE	CHAPE ARTICULAT	GELENKGABEL	YUGO
19	D20400506		X	WASHER	RONDELLE	SCHEIBE	ARANDELA
20	394367X1	M8	X	NUT	ECROU	MUTTER	TUERCA
21	394367X1	M8	X	NUT	ECROU	MUTTER	TUERCA
22	339123X1	M8 X 20	X	HEX. SOCK. SCREW	VIS TETE HEX	ZYLINDERSCHRAUBE	TORN.CAB.HUECA
23	339124X1	M8 X 16	X	HEX. SOCK. SCREW	VIS TETE HEX	ZYLINDERSCHRAUBE	TORN.CAB.HUECA
24	D40466200		X	SETSCREW	VIS DE BLOCAGE	STELLSCHRAUBE	SET SCREW
25	D42333700	➔ 61489	1	CHAIN	CHAINE	KETTE	CADENA
25*	D28273950	➔ 61490	1	CHAIN	CHAINE	KETTE	CADENA
26	D42367100		1	LINK	MAILLON	GLIED	ESLABON
27	D28285427		1	SPROCKET	BARBOTIN	KETTENRAD	RUEDA DE CADENA
28	D42619000		1	PIN	GOUPILLE	STIFT	PASADOR
29	391220X1	⊙ 10 X 45	8	PIN	GOUPILLE	STIFT	PASADOR
30	394367X1	M8	8	NUT	ECROU	MUTTER	TUERCA
31	D58285413	➔ 942481	1	BEARING CARRIER	PALIER	LAGER GEHAEUSE	COJINETE APOYO
32	3008923X1	33	2	GREASE FITTING	GRAISSEUR	DRUCKSCHMIERKOPF	ENGRASADOR
33	D45622700		2	SPIDER	CROISILLON	KREUZSTUECK	CRUCETA
34	D41701700	➔ 942481	1	FLANGE	FLASQUE	FLANSCH	PLETINA
34	D41707800	➔ 942482	1	BEARING	COUSSINET	LAGER	COJINETE
35	D28285423		1	PULLEY	POULIE	RIEMENSCHLEIBE	POLEA
36	D40466700	M10 X 25	2	HEX. SOCK. SCREW	VIS TETE HEX	ZYLINDERSCHRAUBE	TORN.CAB.HUECA
37	D43155200		1	GIB KEY	CLAVETTE A TALON	NASENKEIL	CHAVETA EN CUNA
38	1441579X1		1	KEY PARALLEL	CLAVETTE PARALEL	PASSFEDER	CHAVETA PLANA
39	D41986300		1	V BELT	COURROIE TRAPEZ	KEILRIEMEN	CORREA EN V
40	D58285177		1	GUARD	GARDE	SCHUTZVORR	DEFENSA
42	339123X1	M8 X 20	3	HEX. SOCK. SCREW	VIS TETE HEX	ZYLINDERSCHRAUBE	TORN.CAB.HUECA
42	339761X1	M8 X 25	3	HEX. SOCK. SCREW	VIS TETE HEX	ZYLINDERSCHRAUBE	TORN.CAB.HUECA
43	394367X1	M8	6	NUT	ECROU	MUTTER	TUERCA
45	D28285290	➔ 942481	1	SHIELD	TOLE	SCHILD	BLINDAJE
46	D28285127		1	LEVER	LEVIER	HEBEL	PALANCA
47	D43484900		1	LEVER	LEVIER	HEBEL	PALANCA
48	D42612200		X	PIN	GOUPILLE	STIFT	PASADOR
50	D27100794		2	SPRING	RESSORT	FEDER	MUELLE
51	D28283200		1	SHAFT	ARBRE	WELLE	ARBOL
52	D28285485		1	BRACKET	SUPPORT FIXATION	HALTEAM	SOPORTE
53	D45635400		1	PROFILE	PROFIL	PROFIL	PERFIL
54	D28285487		1	BRACKET	SUPPORT FIXATION	HALTEAM	SOPORTE
55	D45635300		1	CONE	CONE	KONUS	CONO
56	391220X1	⊙ 10 X 45	1	PIN	GOUPILLE	STIFT	PASADOR
57	D28285126		2	FORK	FOURCHETTE	GABEL	HORQUILLA
58	D28760574		1	PULLEY	POULIE	RIEMENSCHLEIBE	POLEA
59	D28384055	➔ 942481	1	IDLER	POULIE TENSION	LEITRAD	POLEA LOCA
59	D28274040	➔ 942482	1	STEM	TIGE	MESSERSTIEL	VASTAGO
60	D41087800		3	LOCKNUT	ECROU FREIN	SICHERUNGSMUTTER	CONTRATUERCA
61	D20400416	➔ 942481	X	WASHER	RONDELLE	SCHEIBE	ARANDELA
61	D28274047	➔ 942482	X	WASHER	RONDELLE	SCHEIBE	ARANDELA
62	1440329X1	M10	X	LOCKNUT	ECROU FREIN	SICHERUNGSMUTTER	CONTRATUERCA
63	D28760156	➔ 942481	1	SCREW	VIS	SCHRAUBE	TORNILLO
63	D28250444	➔ 942482	1	BOLT	BOULON	BOLZEN	BULON
64	D28760155		1	BUSH	BAGUE	RING	CASQUILLO
65	D28752130		1	PULLEY	POULIE	RIEMENSCHLEIBE	POLEA
66	D28280819		1	PULLEY	POULIE	RIEMENSCHLEIBE	POLEA
67	SKF62042RS		3	BEAR. 6204 2RS	RLT 6204 2RS	LAGER 6204 2RS	RODA. 6204 2RS
68	339199X1		6	CIRCLIP	CIRCLIP	SEEGERING	GRAPA CIRCULAR
69	D28760156		2	SCREW	VIS	SCHRAUBE	TORNILLO
70	D28760155		2	BUSH	BAGUE	RING	CASQUILLO
71	D41663400		2	BALL BEARING	ROULEMENT BILLES	KUGELLAGER	COJINETE DE BOLA
72	D20400460		1	WASHER	RONDELLE	SCHEIBE	ARANDELA
73	D28286164	➔ 942481	1	SHAFT	ARBRE	WELLE	ARBOL
73	D28274026	➔ 942482	1	SHAFT	ARBRE	WELLE	ARBOL
75	D28285473		X	TENSIONER	TENDEUR	SPANNER	TENSOR
76	391889X1	M16 X 70	X	HEX. SOCK. SCREW	VIS TETE HEX	ZYLINDERSCHRAUBE	TORN.CAB.HUECA
78	1442739X1	M16	X	LOCKNUT	ECROU FREIN	SICHERUNGSMUTTER	CONTRATUERCA



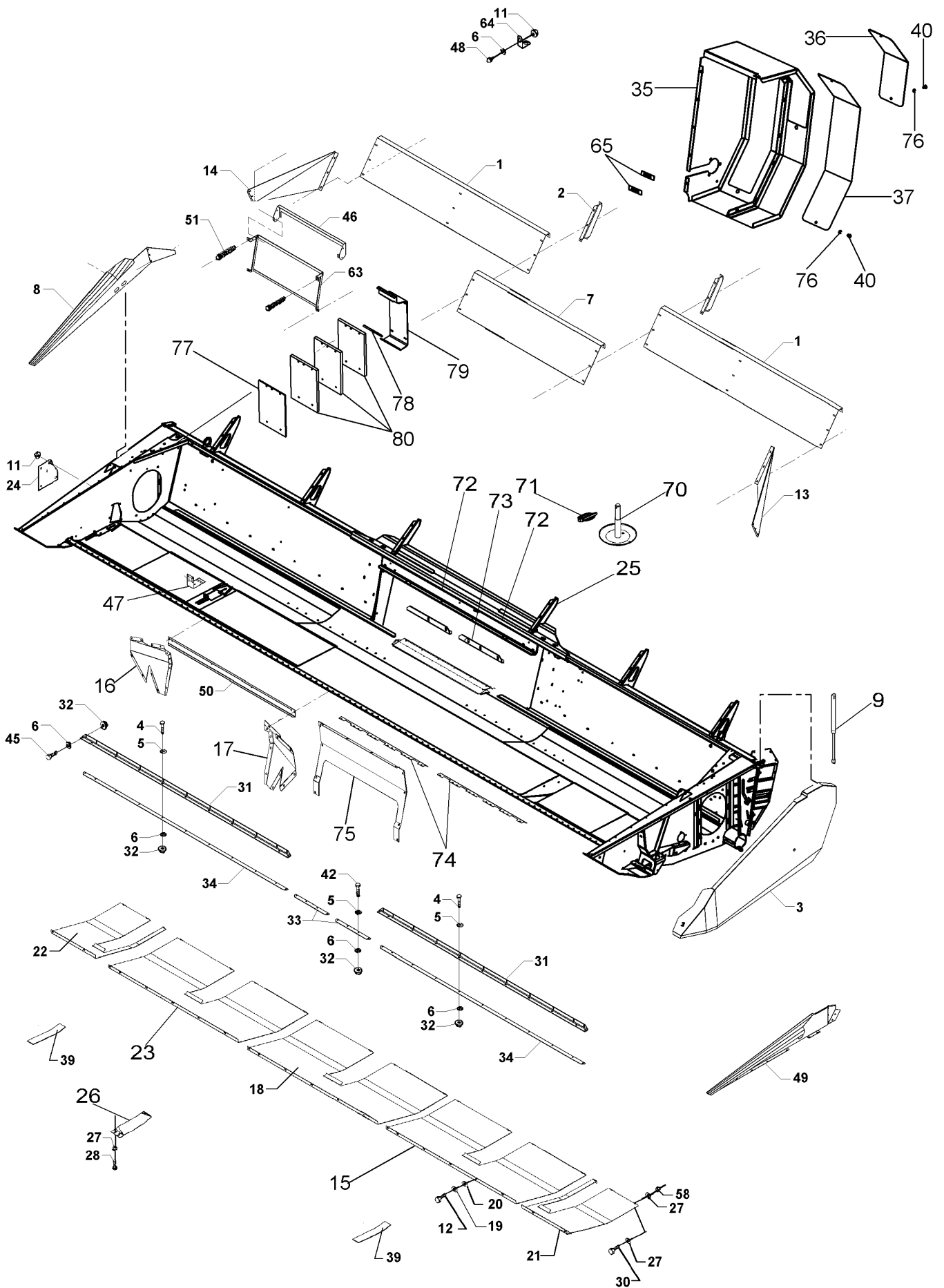
D-ZAAD-009-C

80	D20400460		X	WASHER	RONDELLE	SCHEIBE	ARANDELA
81	D45632400		2	TUBE	TUBE	ROHR	TUBO.
85	1442456X1	M10 X 30	2	SCREW SPECIAL	VIS SPECIALE	SPEZIALSCHRAUBE	TORNILLO ESPEC.
86	D20400419		2	WASHER	RONDELLE	SCHEIBE	ARANDELA
87	1440329X1	M10	2	LOCKNUT	ECROU FREIN	SICHERUNGSMUTTER	CONTRATUERCA
89	D40073100		1	SCREW	VIS	SCHRAUBE	TORNILLO
90	D28280981		1	SPACER	ENTRETOISE	ABSTANDSTUECK	DISCO ESPACIADOR
91	D28181284		X	WASHER	RONDELLE	SCHEIBE	ARANDELA
93	D28280787		1	RAIL	RAIL	SCHIENE	RIEL
94	D28281365		1	CROSSMEMBER	POUTRE TRANSVERS	QUERSTREBE	TRAVESANO
95	D40609300		6	SCREW	VIS	SCHRAUBE	TORNILLO
96	D20400466		6	WASHER	RONDELLE	SCHEIBE	ARANDELA
97	D41087200	M4	6	LOCKNUT	ECROU FREIN	SICHERUNGSMUTTER	CONTRATUERCA
99	D28285400	➔ 942481	1	TABLE	TABLE	TISCH	MESA
		25' - 7,60M					
99	D28284721	➔ 942482	1	TABLE	TABLE	TISCH	MESA
		25' - 7,60M					
99	D28285827	➔ 942481	1	HOUSING	CARTER	GEHAEUSE	ALOJAMIENTO
		22' - 6,77M					
99	D28273732	➔ 942482	1	HOUSING	CARTER	GEHAEUSE	ALOJAMIENTO
		22' - 6,77M					
100	1440329X1	M10	6	LOCKNUT	ECROU FREIN	SICHERUNGSMUTTER	CONTRATUERCA
101	339814X1	M10 X 35	1	HEX. SOCK. SCREW	VIS TETE HEX	ZYLINDERSCHRAUBE	TORN.CAB.HUECA
101	3009493X1	M10 X 30	5	HEX. SOCK. SCREW	VIS TETE HEX	ZYLINDERSCHRAUBE	TORN.CAB.HUECA
102	D20400419		2	WASHER	RONDELLE	SCHEIBE	ARANDELA
102	D20400471		10	WASHER	RONDELLE	SCHEIBE	ARANDELA
105	D45140037	[B]	2	SCREW	VIS	SCHRAUBE	TORNILLO
109	D28285518		1	BRACKET	SUPPORT FIXATION	HALTEAMM	SOPORTE
110	D28285519	CPL.	1	SUPPORT	SUPPORT	TRAGER	SOPORTE
111	D28285497		1	SUPPORT	SUPPORT	TRAGER	SOPORTE
112	D28285494		1	STIRRUP	ETRIER	BUEGEL	FUACION
113	D45140044	CPL.	1	CLUTCH	EMBAYAGE	SCHALTKUPPLUNG	EMBRAGUE
		👁 1-33 No					
114	339599X1		2	BEAR. 6204 2RS	RLT 6204 2RS	LAGER 6204 2RS	RODA. 6204 2RS
115	339199X1		2	CIRCLIP	CIRCLIP	SEEGERING	GRAPA CIRCULAR
116	D40433800		8	SCREW	VIS	SCHRAUBE	TORNILLO
117	D42650400		1	PIN	GOUPILLE	STIFT	PASADOR
118	D28285491		1	SPACER	ENTRETOISE	ABSTANDSTUECK	DISCO ESPACIADOR
119	D28286163		1	HUB	MOYEU	NABE	CUBO
120	D28285492		1	RUBBER PATCH	ELEMENT CAOUTCH.	GUMMILAPPEN	RUBBER PATCH
121	D28274025	➔ 942482	1	PULLEY	POULIE	RIEMENSCHLEIBE	POLEA
		WWHU					
122	D28274029	➔ 942482	1	BELT	COURROIE	RIEMEN	CORREA
		WWHU					
123	D28274030	➔ 942482	1	PULLEY	POULIE	RIEMENSCHLEIBE	POLEA
		WWHU					
124	D28274024	➔ 942482	1	DRIVE	COMMANDE	ANTRIEB	TRASMISION
		WWHU					
125	D28760156	➔ 942482	1	SCREW	VIS	SCHRAUBE	TORNILLO
		WWHU					
126	D41622700	➔ 942482	1	BEAR. 6204 2RS	RLT 6204 2RS	LAGER 6204 2RS	RODA. 6204 2RS
		WWHU					
127	D28760155	➔ 942482	1	BUSH	BAGUE	RING	CASQUILLO
		WWHU					
128	D42513700	➔ 942482	1	CIRCLIP	CIRCLIP	SEEGERING	GRAPA CIRCULAR
		WWHU					
129	D28274039	➔ 942482	1	SUPPORT	SUPPORT	TRAGER	SOPORTE
		WWHU					
130	D28274040	➔ 942482	1	STEM	TIGE	MESSERSTIEL	VASTAGO
		WWHU					
131	D28274038	➔ 942482	1	PIN	GOUPILLE	STIFT	PASADOR
		WWHU					
132	D43105550	➔ 942482	1	KEY	CLAVETTE	STELLKEIL	CHAVETA
		WWHU					
133	D28284736	[B]	1	PIN	GOUPILLE	STIFT	PASADOR
		➔ 942482					
		WWHU					
134	D28284737	[B]	1	PLATE	PLAQUE	PLATTE	PLATO
		➔ 942482					
		WWHU					
135	D28284738	[B]	1	BEAM	POUTRE	BAGGERARM	VIGA
		➔ 942482					
		WWHU					
136	D28284728	➔ 942482	2	GUIDE	GUIDE	FUEHRUNG	GUIA
		WWHU					
137	D28273799	➔ 942482	2	GUIDE	GUIDE	FUEHRUNG	GUIA
		WWHU					
138	D28284740	[B]	1	BRACKET	SUPPORT FIXATION	HALTEAMM	SOPORTE
		➔ 942482					
		WWHU					
139	D28285197	➔ 942482	2	SCRAPER	RACLETTE	KRATZER	PALETA
		WWHU					



D-ZAAD-009-C

140	D28284726	➡ 942482 WWHU	1 PLATE	PLAQUE	PLATTE	PLATO
141	D28284727	➡ 942482 WWHU	1 PLATE	PLAQUE	PLATTE	PLATO
142	D28284734	➡ 942482 WWHU	1 BEAM	POUTRE	BAGGERARM	VIGA
143	D28284739	➡ 942482 WWHU	1 BRACKET	SUPPORT FIXATION	HALTEARM	SOPORTE
144	D28284766	➡ 942482	1 SUPPORT	SUPPORT	TRAGER	SOPORTE
145	D28284768	➡ 942482	1 SHIELD	TOLE	SCHILD	BLINDAJE
146	D28284832		1 SHIELD	TOLE	SCHILD	BLINDAJE
147	*D28380003		1 RING	ANNEAU	RING.	ANILLO
148	*D28281324		1 WOBBLE DRIVE	BOITIER COMMANDE	TAUMELANTRIEB	MANDO OSCILANTE
[B] NOT ILLUSTRATED						
NON ILLUSTRE						
NICHT ILLUSTRIERT						
NO ILUSTRADO						

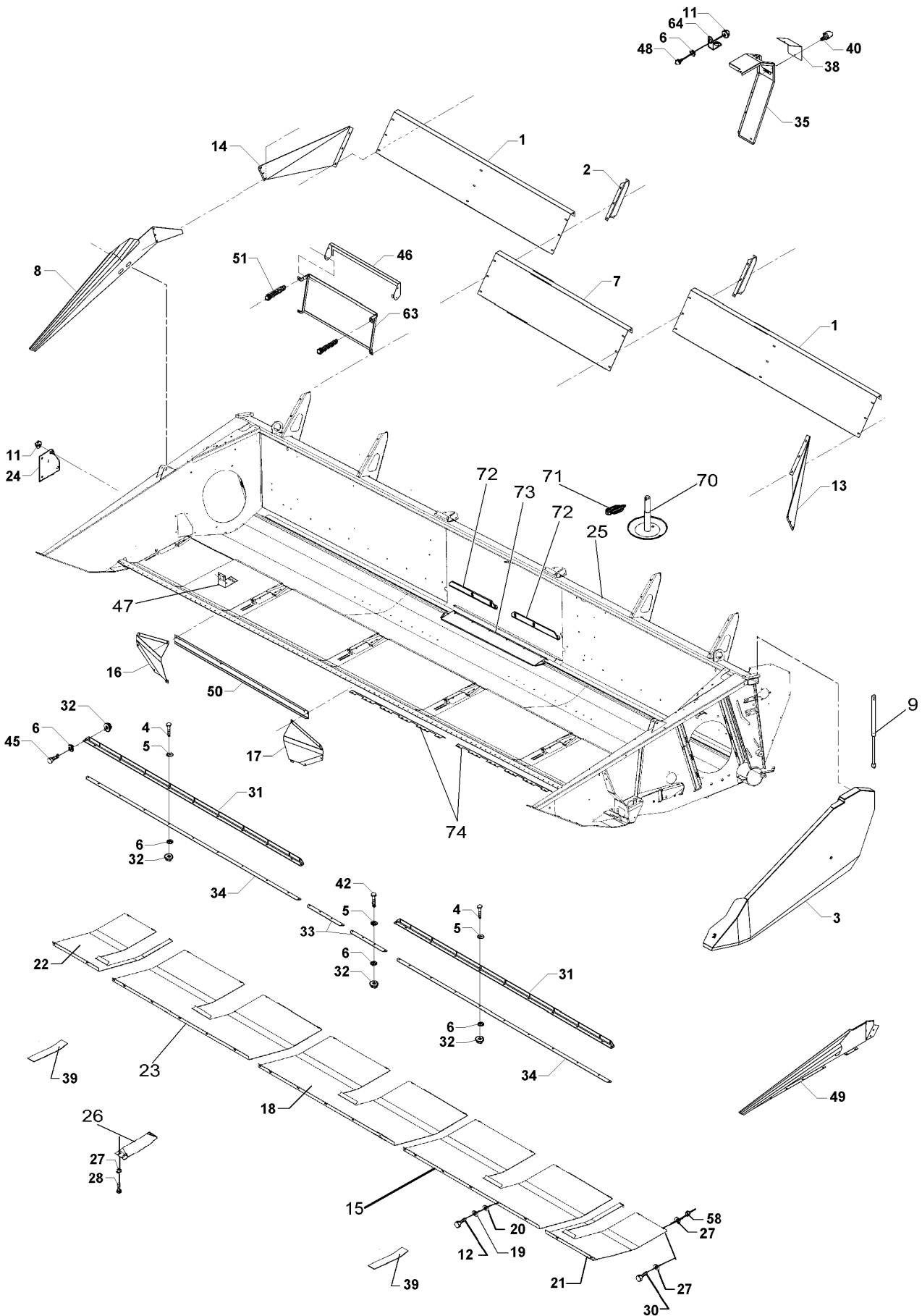


D-ZAAE-006-A

1	D58284750	▶	1	PLATE	PLAQUE	PLATTE	PLATO
1	D58284749	◀	1	PLATE	PLAQUE	PLATTE	PLATO
2	D28285124		2	SUPPORT	SUPPORT	TRAGER	SOPORTE
3	D58284758		1	GUARD	GARDE	SCHUTZVORR	DEFENSA
4	339170X1	M8 X 20	18	SCREW SPECIAL	VIS SPECIALE	SPEZIALSCHRAUBE	TORNILLO ESPEC.
5	D41102100		18	WASHER	RONDELLE	SCHEIBE	ARANDELA
6	D20400506		X	WASHER	RONDELLE	SCHEIBE	ARANDELA
7	D58284669		1	GUARD	GARDE	SCHUTZVORR	DEFENSA
8	D58283554	▶	4	PANEL	PANNEAU	WANDPLATTE	PANEL
9	D45050060		1	GAS STRUT	VERIN AMORTISSEU	GASZYLINDER	CILINDRO GAS
10	339123X1	[B] M8 X 20	X	HEX. SOCK. SCREW	VIS TETE HEX	ZYLINDERSCHRAUBE	TORN.CAB.HUECA
11	394367X1	M8	X	NUT	ECROU	MUTTER	TUERCA
12	3009493X1	M10 X 30	26	HEX. SOCK. SCREW	VIS TETE HEX	ZYLINDERSCHRAUBE	TORN.CAB.HUECA
13	D58285122		1	GUARD	GARDE	SCHUTZVORR	DEFENSA
14	D58285121		1	GUARD	GARDE	SCHUTZVORR	DEFENSA
15	D28285085	[A]	1	WEARPLATE	PLAQUE USURE	TRAGPLATTE	PLACA DE ROCE
16	D28284741	▶	1	GUARD	GARDE	SCHUTZVORR	DEFENSA
17	D28284743	▶	1	GUARD	GARDE	SCHUTZVORR	DEFENSA
18	D28285078	[A] ↔ D18285078	2	WEARPLATE	PLAQUE USURE	TRAGPLATTE	PLACA DE ROCE
19	D41101900		26	SPRING WASHER	RONDELLE ELASTIQ	FEDERSCHEIBE	ARANDELA ELASTI.
20	D20400419		26	WASHER	RONDELLE	SCHEIBE	ARANDELA
21	D28285081	[A]	1	WEARPLATE	PLAQUE USURE	TRAGPLATTE	PLACA DE ROCE
22	D28285082	[A]	1	WEARPLATE	PLAQUE USURE	TRAGPLATTE	PLACA DE ROCE
23	D28285084	[A]	1	WEARPLATE	PLAQUE USURE	TRAGPLATTE	PLACA DE ROCE
24	D28280359		1	SHUTTER	OBTURATEUR	BLENDEVERSCHLUS	OBTURADOR
25	D28284721		1	TABLE	TABLE	TISCH	MESA
26	D28285194		4	COVER	COUVERCLE	ABDECKUNG.	CUBIERTA
26	D28285524	OPTIONAL RAPE	4	COVER	COUVERCLE	ABDECKUNG.	CUBIERTA
27	D20400506		48	WASHER	RONDELLE	SCHEIBE	ARANDELA
28	D40476100	M8 X 20	X	HEX. SOCK. SCREW	VIS TETE HEX	ZYLINDERSCHRAUBE	TORN.CAB.HUECA
30	339010X1	M8 X 40	24	HEX. SOCK. SCREW	VIS TETE HEX	ZYLINDERSCHRAUBE	TORN.CAB.HUECA
31	D28285113		2	DEFLECTOR	DEFLECTEUR	ABWEISBLECH	DEFLECTOR
32	339169X1	M8	18	NUT	ECROU	MUTTER	TUERCA
33	D28285197		2	SCRAPER	RACLETTE	KRATZER	PALETA
34	D28286129		2	SCRAPER	RACLETTE	KRATZER	PALETA
35	D58284755		1	GUARD	GARDE	SCHUTZVORR	DEFENSA
36	D58284752		1	GUARD	GARDE	SCHUTZVORR	DEFENSA
37	D58274034		1	GUARD	GARDE	SCHUTZVORR	DEFENSA
39	D28283984		2	WEARPLATE	PLAQUE USURE	TRAGPLATTE	PLACA DE ROCE
40	D43427500		X	PIN	GOUPILLE	STIFT	PASADOR
42	339149X1	M8 X 30	4	SCREW SPECIAL	VIS SPECIALE	SPEZIALSCHRAUBE	TORNILLO ESPEC.
45	339761X1	M8 X 25	X	HEX. SOCK. SCREW	VIS TETE HEX	ZYLINDERSCHRAUBE	TORN.CAB.HUECA
46	D28285264		1	GUARD	GARDE	SCHUTZVORR	DEFENSA
47	D28780381		X	RETAINER	RETENEUR	HALTERING	RETENEDOR
48	339124X1	M8 X 16	X	HEX. SOCK. SCREW	VIS TETE HEX	ZYLINDERSCHRAUBE	TORN.CAB.HUECA
49	D58285590	◀	1	SIDE	COTE	SEITEN	LATERAL
50	D28285375		1	PLATE	PLAQUE	PLATTE	PLATO
51	D28710853		2	SPRING	RESSORT	FEDER	MUELLE
58	394367X1	M8	24	NUT	ECROU	MUTTER	TUERCA
63	D28285263		1	RETAINER	RETENEUR	HALTERING	RETENEDOR
64	D18250648		1	CLIP	PATTE D'ATTACHE	SHELLE	CLIP
65	D43427300		2	SPRING	RESSORT	FEDER	MUELLE
70	D28286101		1	SUPPORT	SUPPORT	TRAGER	SOPORTE
71	D41446200		1	SPLIT PIN	GOUPILLE FENDUE	SPALTBOLZEN	PASADOR HENDIDO
72	D28285318		2	SUPPORT	SUPPORT	TRAGER	SOPORTE
73	D28285322		1	DEFLECTOR	DEFLECTEUR	ABWEISBLECH	DEFLECTOR
74	D58285979		5	DEFLECTOR	DEFLECTEUR	ABWEISBLECH	DEFLECTOR
75	D28273980		1	PLATE	PLAQUE	PLATTE	PLATO
76	D42555500		1	CIRCLIP	CIRCLIP	SEEGERING	GRAPA CIRCULAR
77	D28274181		1	PLATE	PLAQUE	PLATTE	PLATO
78	D28274049		1	PLATE	PLAQUE	PLATTE	PLATO
79	D28274048		1	PLATE	PLAQUE	PLATTE	PLATO
80	D28282847		1	PLATE	PLAQUE	PLATTE	PLATO

[A] BOTH AL AND STD
 ENSEMBLE AL ET STD
 SOWOHL AL ALS AUCH STD
 CABEZAL AL Y STD

[B] NOT ILLUSTRATED
 NON ILLUSTRÉ
 NICHT ILLUSTRIRT
 NO ILUSTRADO

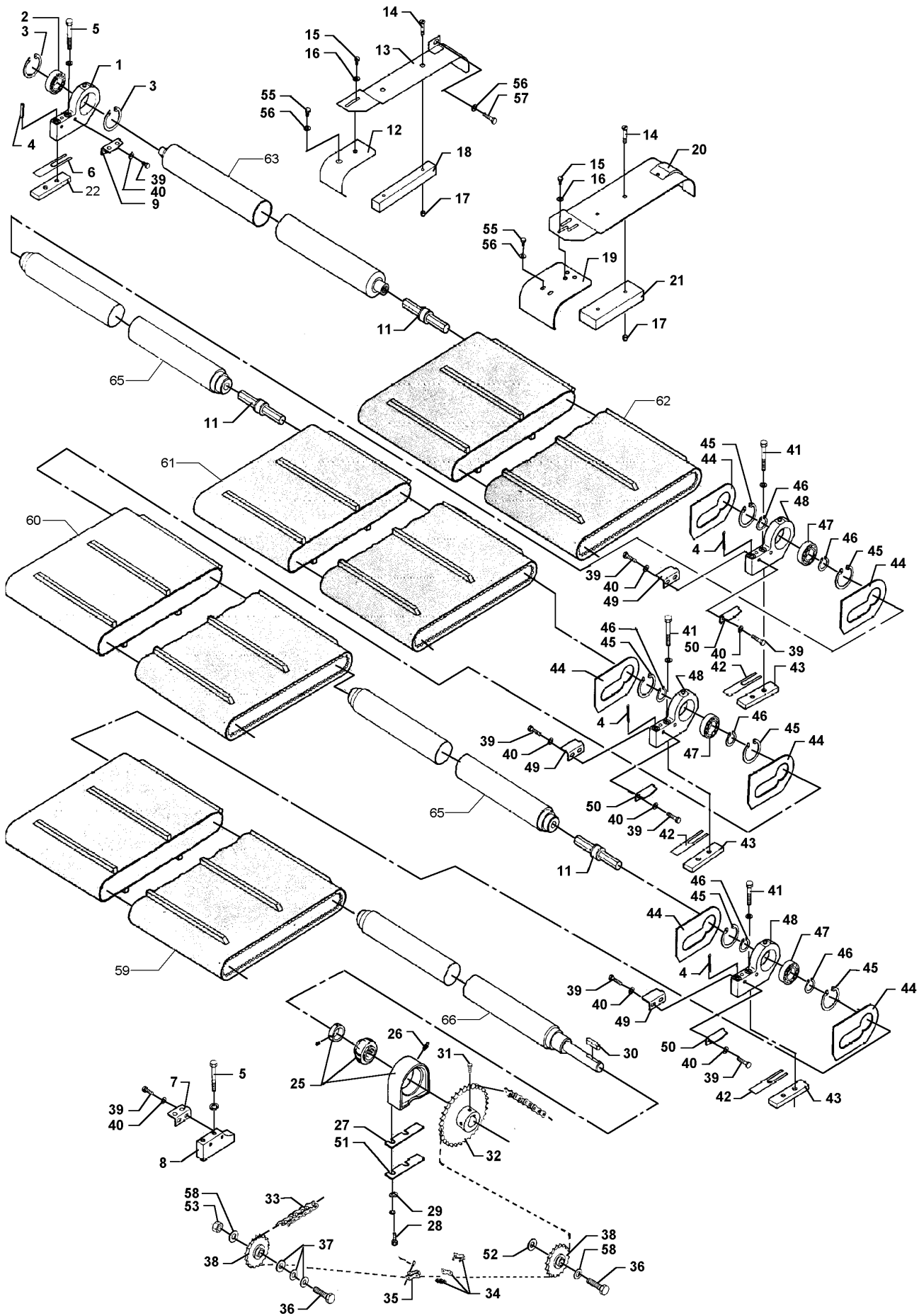


D-ZAAE-005-B

1	D58285119		1	GUARD	GARDE	SCHUTZVORR	DEFENSA
2	D58285124		2	SUPPORT	SUPPORT	TRAGER	SOPORTE
3	D58285172		1	GUARD	GARDE	SCHUTZVORR	DEFENSA
4	339170X1	M8 X 20	18	SCREW SPECIAL	VIS SPECIALE	SPEZIALSCHRAUBE	TORNILLO ESPEC.
5	D41102100		18	WASHER	RONDELLE	SCHEIBE	ARANDELA
6	D20400506		X	WASHER	RONDELLE	SCHEIBE	ARANDELA
7	D58285120		1	GUARD	GARDE	SCHUTZVORR	DEFENSA
8	D58283554	▶	1	PANEL	PANNEAU	WANDPLATTE	PANEL
9	D45050060		1	GAS STRUT	VERIN AMORTISSEU	GASZYLINDER	CILINDRO GAS
10	339123X1	[B]	X	HEX. SOCK. SCREW	VIS TETE HEX	ZYLINDERSCHRAUBE	TORN.CAB.HUECA
		M8 X 20					
		M8	X	NUT	ECROU	MUTTER	TUERCA
11	394367X1		26	HEX. SOCK. SCREW	VIS TETE HEX	ZYLINDERSCHRAUBE	TORN.CAB.HUECA
12	3009493X1	M10 X 30	1	GUARD	GARDE	SCHUTZVORR	DEFENSA
13	D58285122		1	GUARD	GARDE	SCHUTZVORR	DEFENSA
14	D58285121		1	WEARPLATE	PLAQUE USURE	TRAGPLATTE	PLACA DE ROCE
15	D28285085	[A]					
		▶	1	GUARD	GARDE	SCHUTZVORR	DEFENSA
		▶	1	GUARD	GARDE	SCHUTZVORR	DEFENSA
16	D28285373		2	WEARPLATE	PLAQUE USURE	TRAGPLATTE	PLACA DE ROCE
17	D28285374						
18	D28285078	[A]					
		↔	26	SPRING WASHER	RONDELLE ELASTIQ	FEDERSCHEIBE	ARANDELA ELASTI.
19	D41101900		26	WASHER	RONDELLE	SCHEIBE	ARANDELA
20	D20400419		1	WEARPLATE	PLAQUE USURE	TRAGPLATTE	PLACA DE ROCE
21	D28285081	[A]					
		▶	1	WEARPLATE	PLAQUE USURE	TRAGPLATTE	PLACA DE ROCE
22	D28285082	[A]					
		▶	1	WEARPLATE	PLAQUE USURE	TRAGPLATTE	PLACA DE ROCE
23	D28285084	[A]					
		▶	1	WEARPLATE	PLAQUE USURE	TRAGPLATTE	PLACA DE ROCE
24	D28280359		1	SHUTTER	OBTURATEUR	BLENDENVERSCHLUS	OBTURADOR
25	D28285400		1	TABLE	TABLE	TISCH	MESA
26	D28285194		4	COVER	COUVERCLE	ABDECKUNG.	CUBIERTA
26	D28285524	OPTIONAL RAPE	4	COVER	COUVERCLE	ABDECKUNG.	CUBIERTA
27	D20400506		48	WASHER	RONDELLE	SCHEIBE	ARANDELA
28	D40476100	M8 X 20	X	HEX. SOCK. SCREW	VIS TETE HEX	ZYLINDERSCHRAUBE	TORN.CAB.HUECA
30	339010X1	M8 X 40	24	HEX. SOCK. SCREW	VIS TETE HEX	ZYLINDERSCHRAUBE	TORN.CAB.HUECA
31	D28285113		2	DEFLECTOR	DEFLECTEUR	ABWEISBLECH	DEFLECTOR
32	339169X1	M8	18	NUT	ECROU	MUTTER	TUERCA
33	D28285197		2	SCRAPER	RACLETTE	KRATZER	PALETA
34	D28286129		2	SCRAPER	RACLETTE	KRATZER	PALETA
35	D58285104		1	GUARD	GARDE	SCHUTZVORR	DEFENSA
38	D58285268		1	COVER	COUVERCLE	ABDECKUNG.	CUBIERTA
39	D28283984		2	WEARPLATE	PLAQUE USURE	TRAGPLATTE	PLACA DE ROCE
40	D43427500		X	PIN	GOUPILLE	STIFT	PASADOR
42	339149X1	M8 X 30	4	SCREW SPECIAL	VIS SPECIALE	SPEZIALSCHRAUBE	TORNILLO ESPEC.
45	339761X1	M8 X 25	X	HEX. SOCK. SCREW	VIS TETE HEX	ZYLINDERSCHRAUBE	TORN.CAB.HUECA
46	D28285264		1	GUARD	GARDE	SCHUTZVORR	DEFENSA
47	D28780381		X	RETAINER	RETENEUR	HALTERING	RETENEDOR
48	339124X1	M8 X 16	X	HEX. SOCK. SCREW	VIS TETE HEX	ZYLINDERSCHRAUBE	TORN.CAB.HUECA
49	D58285590	◀	1	SIDE	COTE	SEITEN	LATERAL
50	D28285375		1	PLATE	PLAQUE	PLATTE	PLATO
51	D28710853		2	SPRING	RESSORT	FEDER	MUELLE
58	394367X1	M8	24	NUT	ECROU	MUTTER	TUERCA
63	D28285263		1	RETAINER	RETENEUR	HALTERING	RETENEDOR
64	D58250648		1	CLIP	PATTE D'ATTACHE	SHELLE	CLIP
70	D28286101		1	SUPPORT	SUPPORT	TRAGER	SOPORTE
71	D41446200		1	SPLIT PIN	GOUPILLE FENDUE	SPALTBOLZEN	PASADOR HENDIDO
72	D28285318		2	SUPPORT	SUPPORT	TRAGER	SOPORTE
73	D28285322		1	DEFLECTOR	DEFLECTEUR	ABWEISBLECH	DEFLECTOR
74	D58285979		5	DEFLECTOR	DEFLECTEUR	ABWEISBLECH	DEFLECTOR

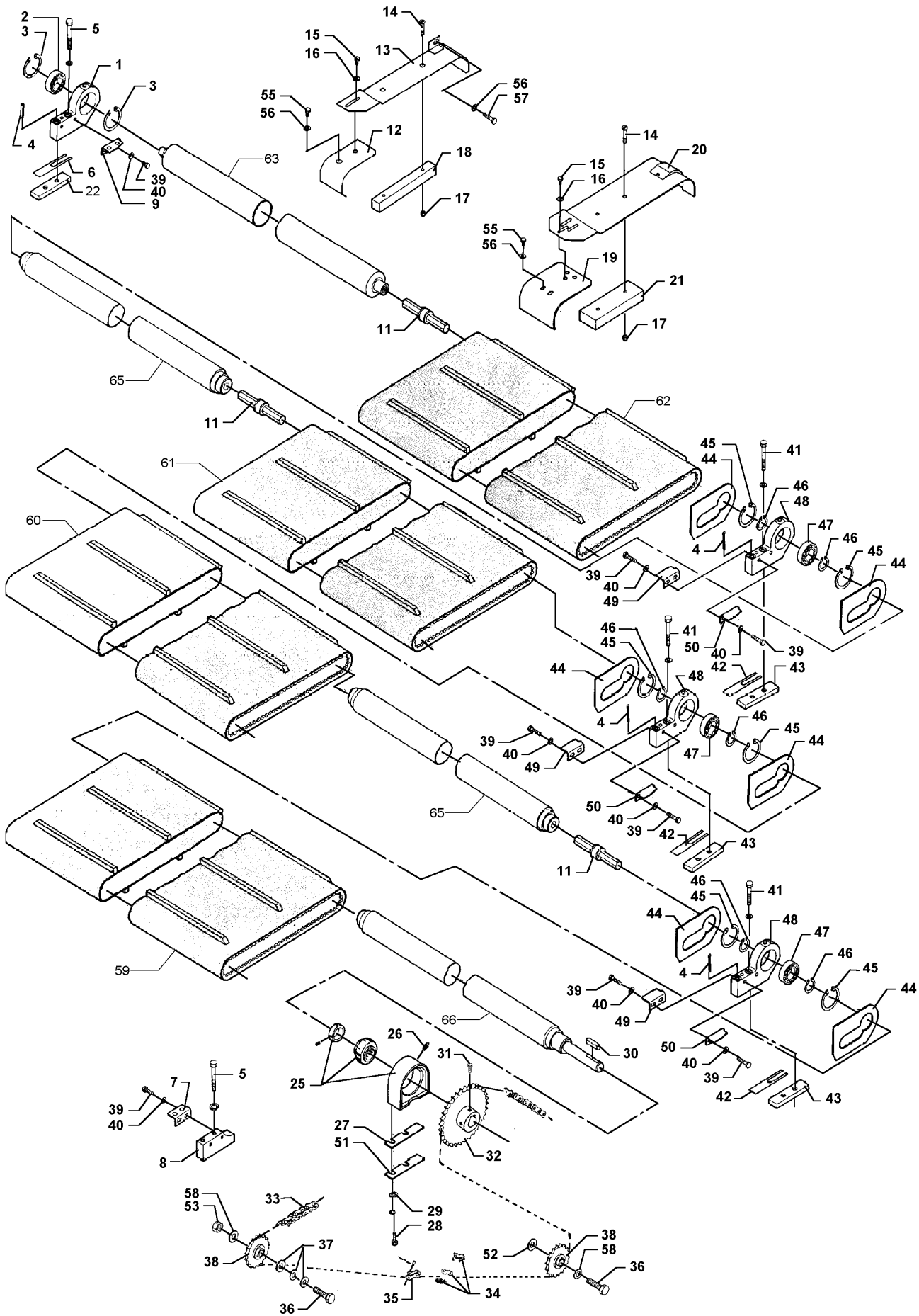
[A] BOTH AL AND STD
 ENSEMBLE AL ET STD
 SOWOHL AL ALS AUCH STD
 CABEZAL AL Y STD

[B] NOT ILLUSTRATED
 NON ILLUSTRE
 NICHT ILLUSTRIRT
 NO ILUSTRADO



D-ZAAJ-001-A

1	D28251562	CPL.	1	BEARING CARRIER	PALIER	LAGER GEHAEUSE	COJINETE APOYO
1	D28251581	1	1	BEARING CARRIER	PALIER	LAGER GEHAEUSE	COJINETE APOYO
2	D41715600	1	1	BALL BEARING	ROULEMENT BILLES	KUGELLAGER	COJINETE DE BOLA
3	1440479X1	1	2	CIRCLIP	CIRCLIP	SEEGERING	GRAPA CIRCULAR
4	339055X1	Ø 8 X 40	6	PIN	GOUPILLE	STIFT	PASADOR
5	339365X1	M10 X 80	X	HEX. SOCK. SCREW	VIS TETE HEX	ZYLINDERSCHRAUBE	TORN.CAB.HUECA
6	D28251519	[J]	X	SHIM	CALE REGLAGE	AUSGLEICHSCHLEIBE	CALCE
7	D28251380	▶	1	BRACKET	SUPPORT FIXATION	HALTEAM	SOPORTE
8	D28251419	◀	1	BRACKET	SUPPORT FIXATION	HALTEAM	SOPORTE
9	D28251379	◀	6	BRACKET	SUPPORT FIXATION	HALTEAM	SOPORTE
11	D28251565		4	SHAFT	ARBRE	WELLE	ARBOL
12	D58281700	▶ 20' - 6,16M	1	PLATE	PLAQUE	PLATTE	PLATO
12	D58282255	22' - 6,77M	1	GUARD	GARDE	SCHUTZVORR	DEFENSA
12	D58284383	18' - 5,56M	1	SHIELD	TOLE	SCHILD	BLINDAJE
13	D58281703	▶ 20' - 6,16M	1	PLATE	PLAQUE	PLATTE	PLATO
13	D58282258	22' - 6,77M	1	PLATE	PLAQUE	PLATTE	PLATO
14	D40064000		X	SCREW	VIS	SCHRAUBE	TORNILLO
15	339123X1	M8 X 20	X	HEX. SOCK. SCREW	VIS TETE HEX	ZYLINDERSCHRAUBE	TORN.CAB.HUECA
16	D20400506		X	WASHER	RONDELLE	SCHLEIBE	ARANDELA
17	394367X1	M8	X	NUT	ECROU	MUTTER	TUERCA
18	D28281310		2	GUIDE	GUIDE	FUEHRUNG	GUIA
19	D28281698	20' - 6,16M	3	SHIELD	TOLE	SCHILD	BLINDAJE
19	D28281698	22' - 6,77M	4	SHIELD	TOLE	SCHILD	BLINDAJE
19	D58284375	18' - 5,56M	4	SHIELD	TOLE	SCHILD	BLINDAJE
20	D28281699	20' - 6,16M	3	SHIELD	TOLE	SCHILD	BLINDAJE
20	D28281699	22' - 6,77M	4	SHIELD	TOLE	SCHILD	BLINDAJE
20	D58284377	18' - 5,56M	4	SHIELD	TOLE	SCHILD	BLINDAJE
21	D28281311		2	GUIDE	GUIDE	FUEHRUNG	GUIA
22	D28285303	20' - 6,16M	1	STRAP	PATTE	LASCHE	FAJA
22	D28280923	22' - 6,77M	1	DOG	CHIEN	KLAUE	PRISIONERO
25	D41715800		1	BEARING CARRIER	PALIER	LAGER GEHAEUSE	COJINETE APOYO
26	339608X1		1	GREASE FITTING	GRAISSEUR	DRUCKSCHMIERKOPF	ENGRASADOR
27	D28251448	[J]	X	SHIM	CALE REGLAGE	AUSGLEICHSCHLEIBE	CALCE
28	390799X1	M10 X 40	X	HEX. SOCK. SCREW	VIS TETE HEX	ZYLINDERSCHRAUBE	TORN.CAB.HUECA
29	D20400419		X	WASHER	RONDELLE	SCHLEIBE	ARANDELA
30	D43104900		1	KEY	CLAVETTE	STELLKEIL	CHAVETA
31	D40466200		2	SETSCREW	VIS DE BLOCAGE	STELLSCHRAUBE	SET SCREW
32	D28251161	32	1	SPROCKET	BARBOTIN	KETTENRAD	RUEDA DE CADENA
32	D28251163	[I]	2	SPROCKET	BARBOTIN	KETTENRAD	RUEDA DE CADENA
33	D42332800		1	CHAIN	CHAINE	KETTE	CADENA
34	D42363100		1	LINK	MAILLON	GLIED	ESLABON
35	D42363500		1	LINK	MAILLON	GLIED	ESLABON
36	391889X1	M16 X 70	2	HEX. SOCK. SCREW	VIS TETE HEX	ZYLINDERSCHRAUBE	TORN.CAB.HUECA
37	D20400460		4	WASHER	RONDELLE	SCHLEIBE	ARANDELA
38	D41712300		2	TENSIONER	TENDEUR	SPANNER	ENSOR
39	339123X1	M8 X 20	X	HEX. SOCK. SCREW	VIS TETE HEX	ZYLINDERSCHRAUBE	TORN.CAB.HUECA
40	D20400506		X	WASHER	RONDELLE	SCHLEIBE	ARANDELA
41	D40693100		X	SCREW	VIS	SCHRAUBE	TORNILLO
42	D28251445	[J]	X	SHIM	CALE REGLAGE	AUSGLEICHSCHLEIBE	CALCE
43	D28285303		X	STRAP	PATTE	LASCHE	FAJA
44	D28251420		8	CONTROL	CONTROLE	STEUERUNG	MANDO
45	339437X1		8	CIRCLIP	CIRCLIP	SEEGERING	GRAPA CIRCULAR
46	339469X1		8	CIRCLIP	CIRCLIP	SEEGERING	GRAPA CIRCULAR
47	D41716300		4	BALL BEARING	ROULEMENT BILLES	KUGELLAGER	COJINETE DE BOLA
48	D28251583	22' - 6,77M	4	BEARING CARRIER	PALIER	LAGER GEHAEUSE	COJINETE APOYO
48	D28251583	20' - 6,16M	3	BEARING CARRIER	PALIER	LAGER GEHAEUSE	COJINETE APOYO
49	D28251417	◀ 22' - 6,77M	4	SCRAPER	RACLETTE	KRATZER	PALETA
50	D28251418	▶	4	SCRAPER	RACLETTE	KRATZER	PALETA
51	D28281522	[J]	X	SHIM	CALE REGLAGE	AUSGLEICHSCHLEIBE	CALCE
52	D20400516	[J]	X	SPACER	ENTRETOISE	ABSTANDSTUECK	DISCO ESPACIADOR
53	1442739X1	M16	1	LOCKNUT	ECROU FREIN	SICHERUNGSMUTTER	CONTRATUERCA
55	339230X1	M6 X 10	X	HEX. SOCK. SCREW	VIS TETE HEX	ZYLINDERSCHRAUBE	TORN.CAB.HUECA
56	391038X1		X	FLAT WASHER	RONDELLE PLATE	UNTERLEGSCHLEIBEN	ARANDELA PLANA
57	339560X1	M6 X 16	1	HEX. SOCK. SCREW	VIS TETE HEX	ZYLINDERSCHRAUBE	TORN.CAB.HUECA
58	D28181284		2	WASHER	RONDELLE	SCHLEIBE	ARANDELA
59	D28250932	20' - 22' 6,16M - 6,77M	1	BAND	BANDE	BAND	BANDA
60	D28250931	22' - 6,77M	1	BAND	BANDE	BAND	BANDA
60	D28250932	20' - 6,16M	1	BAND	BANDE	BAND	BANDA
61	D28250931	22' - 6,77M	1	BAND	BANDE	BAND	BANDA
61	D28250932	20' - 6,16M	1	BAND	BANDE	BAND	BANDA
62	D28250931	22' - 6,77M	1	BAND	BANDE	BAND	BANDA
62	D28250932	20' - 6,16M	1	BAND	BANDE	BAND	BANDA
63	D28284108	18' - 20' - 22' 5,56M - 6,16M 6,77M	1	ROLLER	GALET	ROLLE	RODILLO
65*	D28284145	18' - 5,56M	2	ROLLER	GALET	ROLLE	RODILLO
65	D28285142	20' - 6,16M	1	ROLLER	GALET	ROLLE	RODILLO
65	D28285817	22' - 6,77M	1	ROLLER	GALET	ROLLE	RODILLO
66	D28285142	20' - 6,16M	1	ROLLER	GALET	ROLLE	RODILLO
66	D28285817	22' - 6,77M	1	ROLLER	GALET	ROLLE	RODILLO



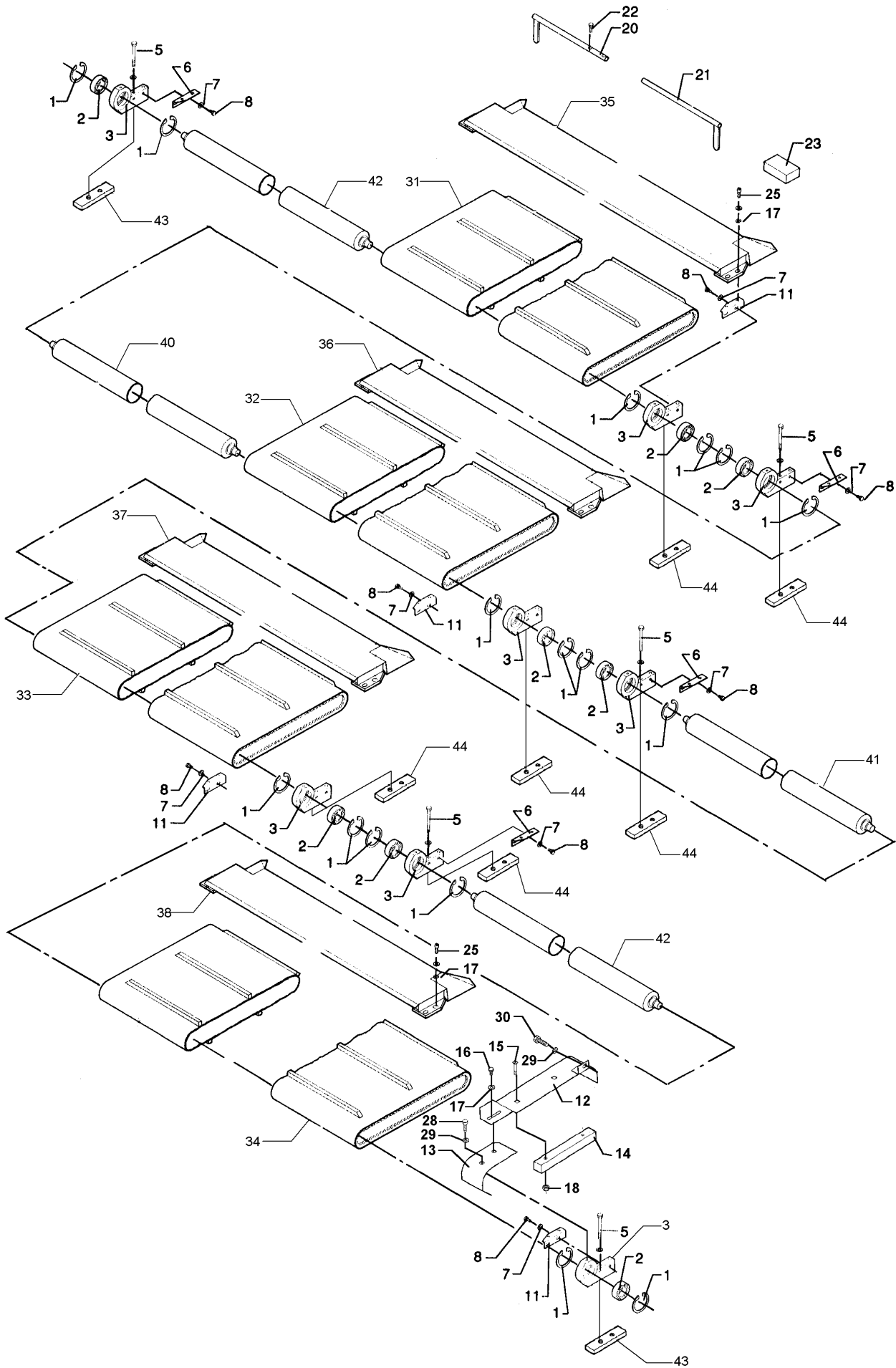
D-ZAAJ-001-A

Powerflow Band - Rear
Bande Powerflow - Arriere
Powerflow Band - Hinter
Cinta Powerflow - Trasero

18'-20'-22'
5,56m - 6,16m - 6,77m
5,56m - 6,16m - 6,77m
5,56m - 6,16m - 6,77m

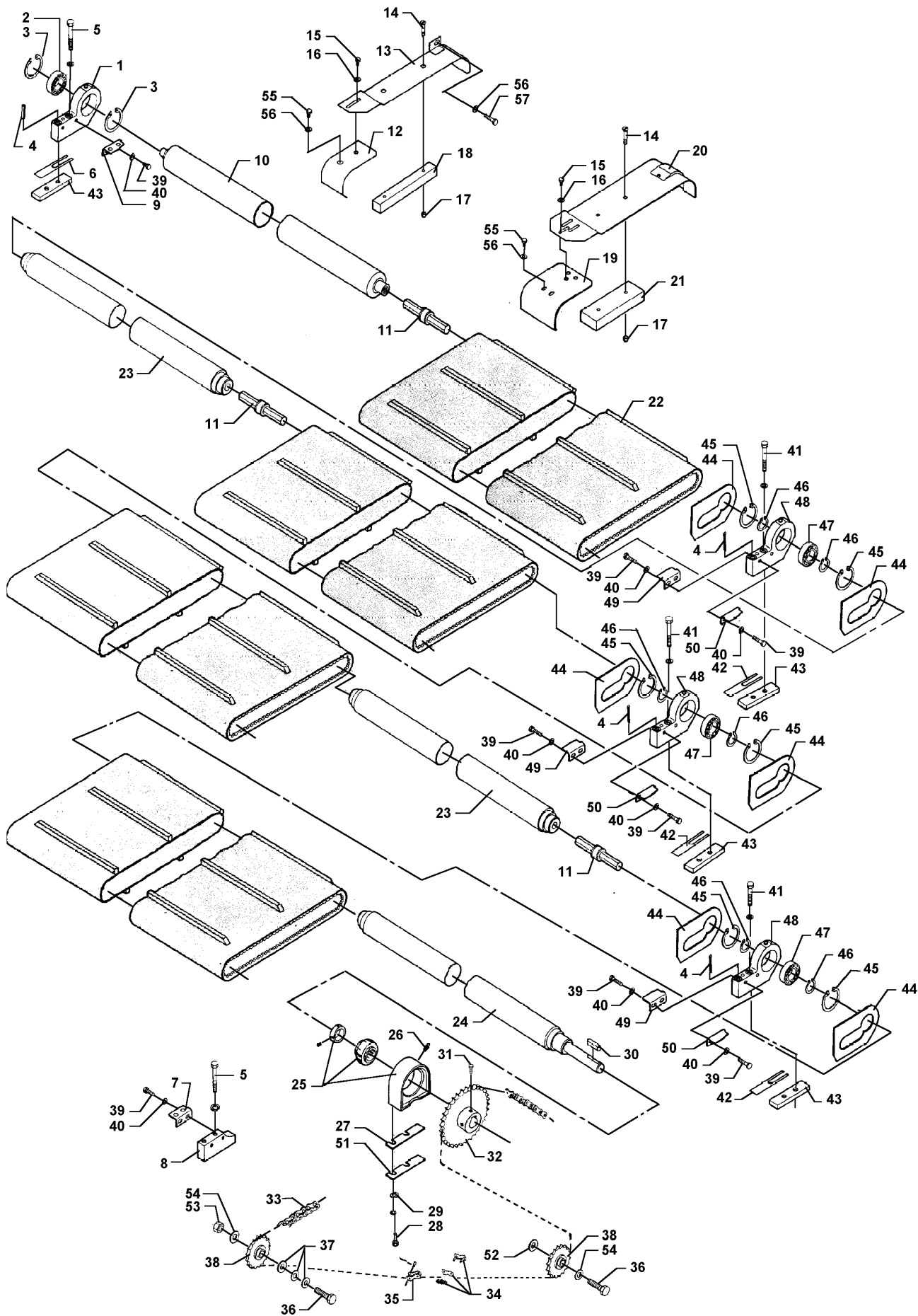
1 -18

67 D44742000	[A]	1 KIT, REPAIR	JEU REPARATION	REPARATURSATZ	JUEGO REPARACION
[A]	NOT ILLUSTRATED NON ILLUSTRE NICHT ABGEBILDET NO ILUSTRADO				
[I]	OPTIONAL EQUIPMENT EQUIPEMENTS ACCESSOIRES SONDERZUBEHOR EQUIP. ADITAMENTO				
[J]	OPTIONAL EQUIPMENT AUTO LEVEL ACCESSOIRE, AUTO LEVEL SONDERAUSR ST. AUTO LEVEL EQUIPO OPCIONAL AUTO LEVEL				



D-ZAAK-001-A

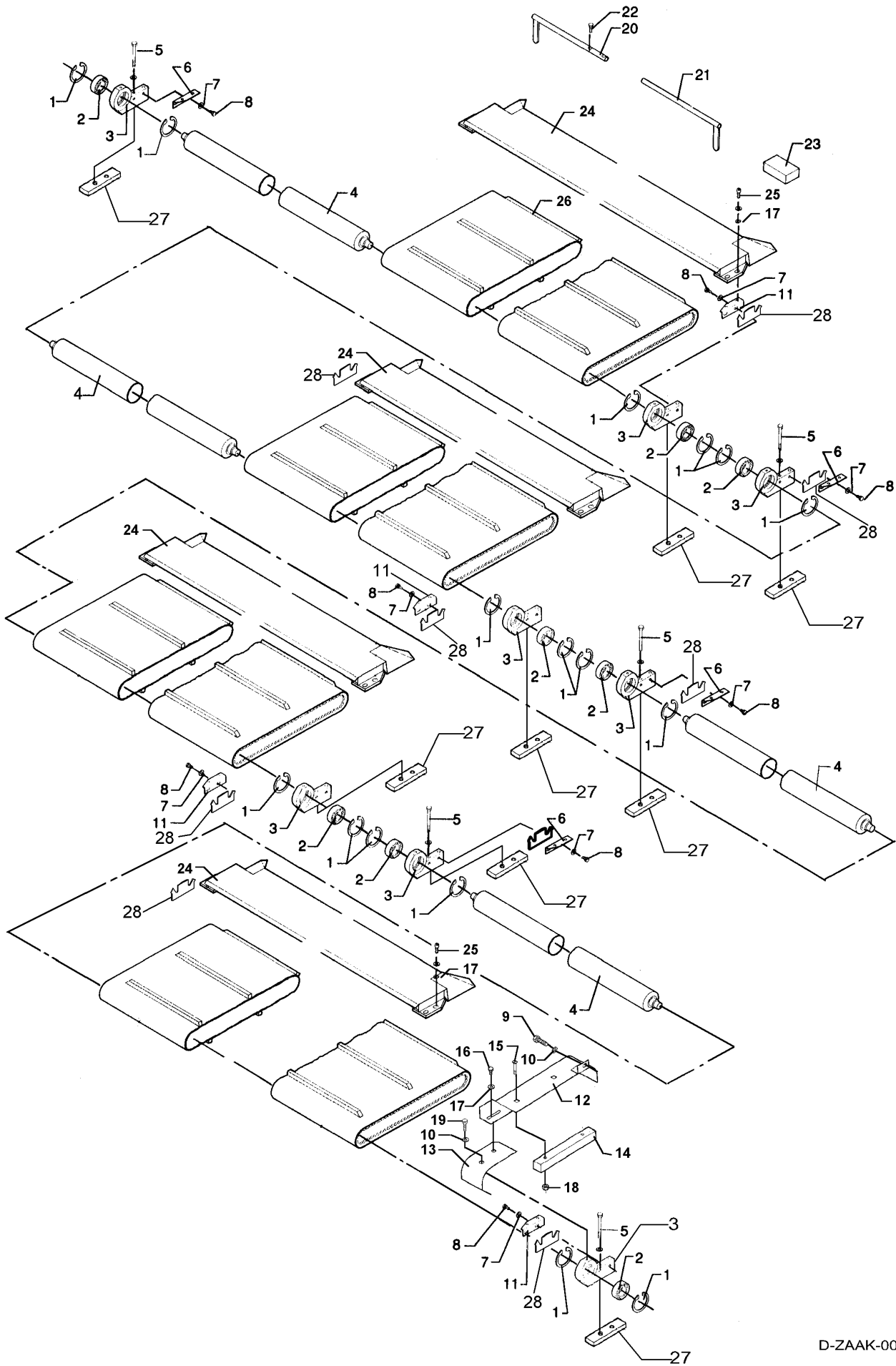
1*1440479X1	20' - 6,16M	16 CIRCLIP	CIRCLIP	SEEGERING	GRAPA CIRCULAR
1 1440479X1	22' - 6,77M	20 CIRCLIP	CIRCLIP	SEEGERING	GRAPA CIRCULAR
2*D41715600	20' - 6,16M	8 BALL BEARING	ROULEMENT BILLES	KUGELLAGER	COJINETE DE BOLA
2 D41715600	22' - 6,77M	10 BALL BEARING	ROULEMENT BILLES	KUGELLAGER	COJINETE DE BOLA
3*D28251582	20' - 6,16M	8 BEARING CARRIER	PALIER	LAGER GEHAEUSE	COJINETE APOYO
3 D28251582	22' - 6,77M	10 BEARING CARRIER	PALIER	LAGER GEHAEUSE	COJINETE APOYO
5 339365X1	M10 X 80	16 HEX. SOCK. SCREW	VIS TETE HEX	ZYLINDERSCHRAUBE	TORN.CAB.HUECA
6*D28251380	▶ 20' - 6,16M	4 BRACKET	SUPPORT FIXATION	HALTEAM	SOPORTE
6 D28251380	▶ 22' - 6,77M	5 BRACKET	SUPPORT FIXATION	HALTEAM	SOPORTE
7*D20400506	20' - 6,16M	16 WASHER	RONDELLE	SCHEIBE	ARANDELA
7 D20400506	22' - 6,77M	20 WASHER	RONDELLE	SCHEIBE	ARANDELA
8*D40697400	20' - 6,16M	16 SCREW	VIS	SCHRAUBE	TORNILLO
8 D40697400	22' - 6,77M	20 SCREW	VIS	SCHRAUBE	TORNILLO
11*D28251379	◀ 20' - 6,16M	4 BRACKET	SUPPORT FIXATION	HALTEAM	SOPORTE
11 D28251379	◀ 22' - 6,77M	5 BRACKET	SUPPORT FIXATION	HALTEAM	SOPORTE
12 D58281702	◀ 20' - 6,16M	1 SHIELD	TOLE	SCHILD	BLINDAJE
12 D58282257	▶ 20' - 6,77M	1 GUARD	GARDE	SCHUTZVORR	DEFENSA
13 D58281701	◀ 20' - 6,16M	1 SHIELD	TOLE	SCHILD	BLINDAJE
13 D58282256	▶ 22' - 6,77M	1 PLATE	PLAQUE	PLATTE	PLATO
14 D28281310		2 GUIDE	GUIDE	FUEHRUNG	GUIA
15 D40064000		X SCREW	VIS	SCHRAUBE	TORNILLO
16 339123X1	M8 X 20	X HEX. SOCK. SCREW	VIS TETE HEX	ZYLINDERSCHRAUBE	TORN.CAB.HUECA
17 D20400506		X WASHER	RONDELLE	SCHEIBE	ARANDELA
18 394367X1	M8	X NUT	ECROU	MUTTER	TUERCA
20 D28251543		1 TOOL	OUTIL	WERKZEUG	HERRAMIENTA
20 D28251545	20	1 TOOL	OUTIL	WERKZEUG	HERRAMIENTA
21 D28251544	20	1 TOOL	OUTIL	WERKZEUG	HERRAMIENTA
22 D43385200	20	2 SCREW	VIS	SCHRAUBE	TORNILLO
23 D28251547	20	1 ADJUSTER	REGLEUR	EINSTELLVORR	AJUSTADOR
25*391148X1	20' - 6,16M	16 SCREW	VIS	SCHRAUBE	TORNILLO
	M8 X 20				
25 391148X1	22' - 6,77M	20 SCREW	VIS	SCHRAUBE	TORNILLO
	M8 X 20				
28 339230X1	M6 X 10	X HEX. SOCK. SCREW	VIS TETE HEX	ZYLINDERSCHRAUBE	TORN.CAB.HUECA
29 391038X1		X FLAT WASHER	RONDELLE PLATE	UNTERLEGSCHLEIBEN	ARANDELA PLANA
30 339560X1	M6 X 16	1 HEX. SOCK. SCREW	VIS TETE HEX	ZYLINDERSCHRAUBE	TORN.CAB.HUECA
31*D28250932	20' - 22'	1 BAND	BANDE	BAND	BANDA
	6,16M -6,77M				
32 D28250931	22' - 6,77M	1 BAND	BANDE	BAND	BANDA
32*D28250932	20' - 6,16M	1 BAND	BANDE	BAND	BANDA
33 D28250931	22' - 6,77M	2 BAND	BANDE	BAND	BANDA
33*D28250932	20' - 6,16M	1 BAND	BANDE	BAND	BANDA
34*D28250932	20' - 6,16M	1 BAND	BANDE	BAND	BANDA
34 D28250931	22' - 6,77M	1 BAND	BANDE	BAND	BANDA
35 D28281562	20' - 22'	1 SCRAPER	RACLETTE	KRATZER	PALETA
	6,16 - 6,77M				
36 D28281563	22' - 6,16M	1 SCRAPER	RACLETTE	KRATZER	PALETA
36*D28281562	20' - 6,16M	1 SCRAPER	RACLETTE	KRATZER	PALETA
37 D28281563	22' - 6,77M	2 SCRAPER	RACLETTE	KRATZER	PALETA
37*D28281562	20' - 6,16M	1 SCRAPER	RACLETTE	KRATZER	PALETA
38 D28281562	20' - 22'	1 SCRAPER	RACLETTE	KRATZER	PALETA
	6,16M - 6,77M				
40*D28285817	22' - 6,77M	3 ROLLER	GALET	ROLLE	RODILLO
40*D28285817	18' - 5,56M	2 ROLLER	GALET	ROLLE	RODILLO
41*D28285142	20' - 6,16M	4 ROLLER	GALET	ROLLE	RODILLO
42 D28285142	18' - 5,56M	2 ROLLER	GALET	ROLLE	RODILLO
	22'-6,77M				
43*D28285303	20' - 6,16M	X STRAP	PATTE	LASCHE	FAJA
43 D28280923	22' - 6,77M	X DOG	CHIEN	KLAUE	PRISIONERO
44 D28285303		X STRAP	PATTE	LASCHE	FAJA



D-ZAAJ-002-A

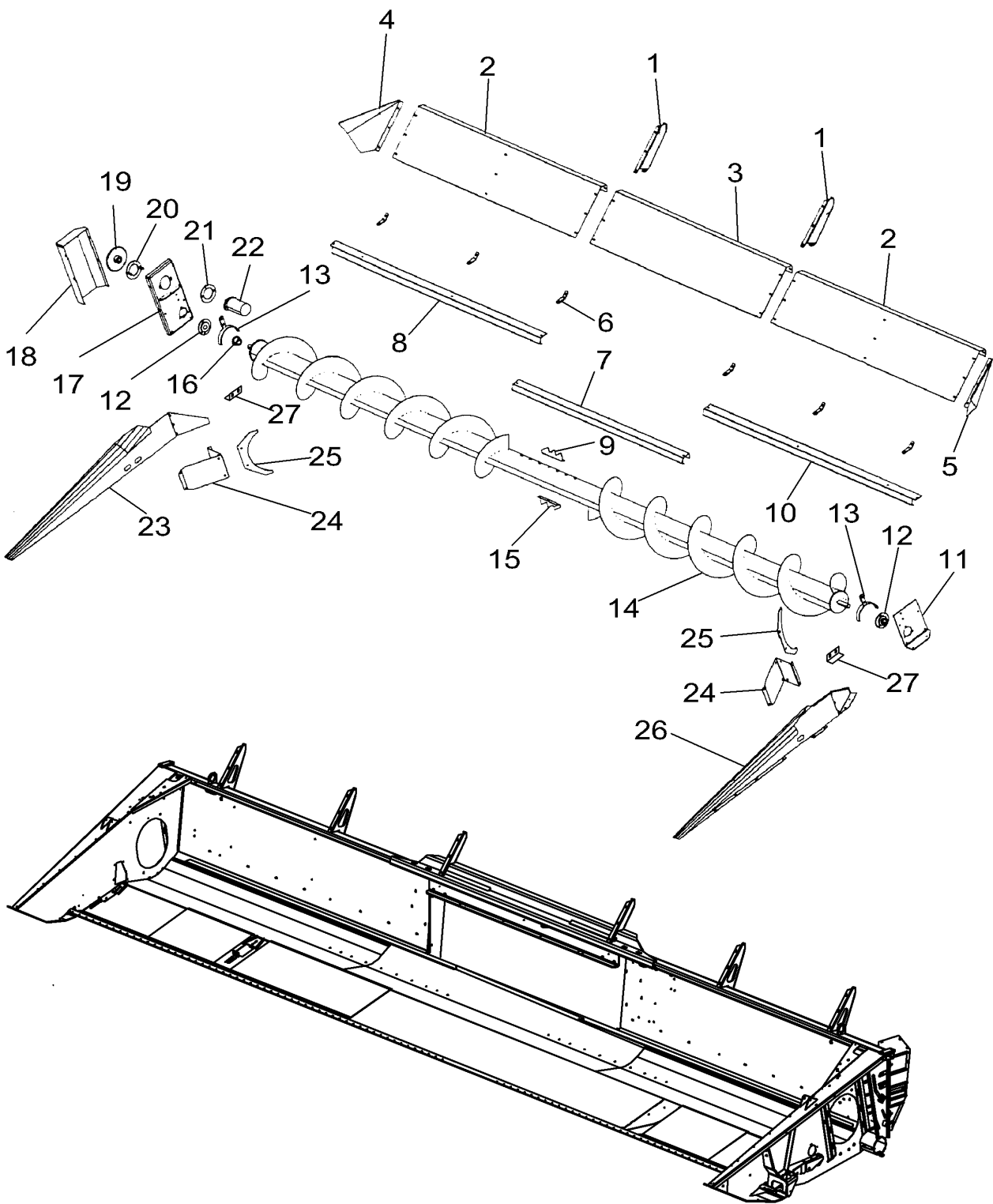
1	D28251562	CPL.	1	BEARING CARRIER	PALIER	LAGER GEHAEUSE	COJINETE APOYO
1	D44742000	1	X	KIT, REPAIR	JEU REPARATION	REPARATURSATZ	JUEGO REPARACION
1	D28251581	1	1	BEARING CARRIER	PALIER	LAGER GEHAEUSE	COJINETE APOYO
2	D41715600	1	1	BALL BEARING	ROULEMENT BILLES	KUGELLAGER	COJINETE DE BOLA
3	1440479X1	1	2	CIRCLIP	CIRCLIP	SEEGERING	GRAPA CIRCULAR
4	339055X1	∅ 8 X 40	4	PIN	GOUPILLE	STIFT	PASADOR
5	339365X1	M10 X 80	4	HEX. SOCK. SCREW	VIS TETE HEX	ZYLINDERSCHRAUBE	TORN.CAB.HUECA
6	D28251519	[A]	X	SHIM	CALE REGLAGE	AUSGLEICHSCHIEBE	CALCE
7	D28251380	▶	1	BRACKET	SUPPORT FIXATION	HALTEAMM	SOPORTE
8	D28251419	◀	1	BRACKET	SUPPORT FIXATION	HALTEAMM	SOPORTE
9	D28251379	◀	1	BRACKET	SUPPORT FIXATION	HALTEAMM	SOPORTE
10*	D28284108	⇒ D18284108	1	ROLLER	GALET	ROLLE	RODILLO
11	D28251565		4	SHAFT	ARBRE	WELLE	ARBOL
12	D28284372	▶	1	SHIELD	TOLE	SCHILD	BLINDAJE
13	D28284385	▶	1	SHIELD	TOLE	SCHILD	BLINDAJE
14	D28281311		2	GUIDE	GUIDE	FUEHRUNG	GUIA
15	339123X1	M8 X 20	X	HEX. SOCK. SCREW	VIS TETE HEX	ZYLINDERSCHRAUBE	TORN.CAB.HUECA
16	D20400506		X	WASHER	RONDELLE	SCHEIBE	ARANDELA
17	394367X1	M8	X	NUT	ECROU	MUTTER	TUERCA
18	D28281310		2	GUIDE	GUIDE	FUEHRUNG	GUIA
19	D28281698		4	SHIELD	TOLE	SCHILD	BLINDAJE
20	D28281699		4	SHIELD	TOLE	SCHILD	BLINDAJE
21	D28281311		4	GUIDE	GUIDE	FUEHRUNG	GUIA
22	D28250932		5	BAND	BANDE	BAND	BANDA
23*	D28284109	⇒ D18284109	3	ROLLER	GALET	ROLLE	RODILLO
24*	D28284110	⇒ D18284110	1	ROLLER	GALET	ROLLE	RODILLO
25	D41715800		1	BEARING CARRIER	PALIER	LAGER GEHAEUSE	COJINETE APOYO
26	339608X1		1	GREASE FITTING	GRAISSEUR	DRUCKSCHMIERKOPF	ENGRASADOR
27	D28251448	[A]	X	SHIM	CALE REGLAGE	AUSGLEICHSCHIEBE	CALCE
28	390799X1	M10 X 40	X	HEX. SOCK. SCREW	VIS TETE HEX	ZYLINDERSCHRAUBE	TORN.CAB.HUECA
29	D20400419		X	WASHER	RONDELLE	SCHEIBE	ARANDELA
30	D43104900		1	KEY	CLAVETTE	STELLKEIL	CHAVETA
31	D40466200		2	SETSCREW	VIS DE BLOCAGE	STELLSCHRAUBE	SET SCREW
32	D28251161		1	SPROCKET	BARBOTIN	KETTENRAD	RUEDA DE CADENA
33	D42332800		1	CHAIN	CHAINE	KETTE	CADENA
34	D42363100		1	LINK	MAILLON	GLIED	ESLABON
35	D42363500		1	LINK	MAILLON	GLIED	ESLABON
36	391889X1	M16 X 70	2	HEX. SOCK. SCREW	VIS TETE HEX	ZYLINDERSCHRAUBE	TORN.CAB.HUECA
37	D20400460		X	WASHER	RONDELLE	SCHEIBE	ARANDELA
38	D41712300		2	TENSIONER	TENDEUR	SPANNER	ENSOR
39	339123X1	M8 X 20	X	HEX. SOCK. SCREW	VIS TETE HEX	ZYLINDERSCHRAUBE	TORN.CAB.HUECA
40	D20400506		X	WASHER	RONDELLE	SCHEIBE	ARANDELA
41	D40693100		X	SCREW	VIS	SCHRAUBE	TORNILLO
42	D28251445		X	SHIM	CALE REGLAGE	AUSGLEICHSCHIEBE	CALCE
43	D28285303		15	STRAP	PATTE	LASCHE	FAJA
44	D28251420		8	CONTROL	CONTROLE	STEUERUNG	MANDO
45	339437X1		8	CIRCLIP	CIRCLIP	SEEGERING	GRAPA CIRCULAR
46	339469X1		8	CIRCLIP	CIRCLIP	SEEGERING	GRAPA CIRCULAR
47	D41716300		4	BALL BEARING	ROULEMENT BILLES	KUGELLAGER	COJINETE DE BOLA
48	D28251583		4	BEARING CARRIER	PALIER	LAGER GEHAEUSE	COJINETE APOYO
49	D28251417	◀	4	SCRAPER	RACLETTE	KRATZER	PALETA
50	D28251418	▶	4	SCRAPER	RACLETTE	KRATZER	PALETA
51	D28281522	[A]	X	SHIM	CALE REGLAGE	AUSGLEICHSCHIEBE	CALCE
52	D20400516	[A]	X	SPACER	ENTRETOISE	ABSTANDSTUECK	DISCO ESPACIADOR
53	1442739X1	M16	1	LOCKNUT	ECROU FREIN	SICHERUNGSMUTTER	CONTRATUERCA
54	D28181284		2	WASHER	RONDELLE	SCHEIBE	ARANDELA
55	339230X1	M6 X 10	X	HEX. SOCK. SCREW	VIS TETE HEX	ZYLINDERSCHRAUBE	TORN.CAB.HUECA
56	391038X1		X	FLAT WASHER	RONDELLE PLATE	UNTERLEGSCHIEBEN	ARANDELA PLANA
57	339560X1	M6 X 16	1	HEX. SOCK. SCREW	VIS TETE HEX	ZYLINDERSCHRAUBE	TORN.CAB.HUECA

[A] OPTIONAL
 EN OPTION
 WAHLWEISE
 OPCIONAL



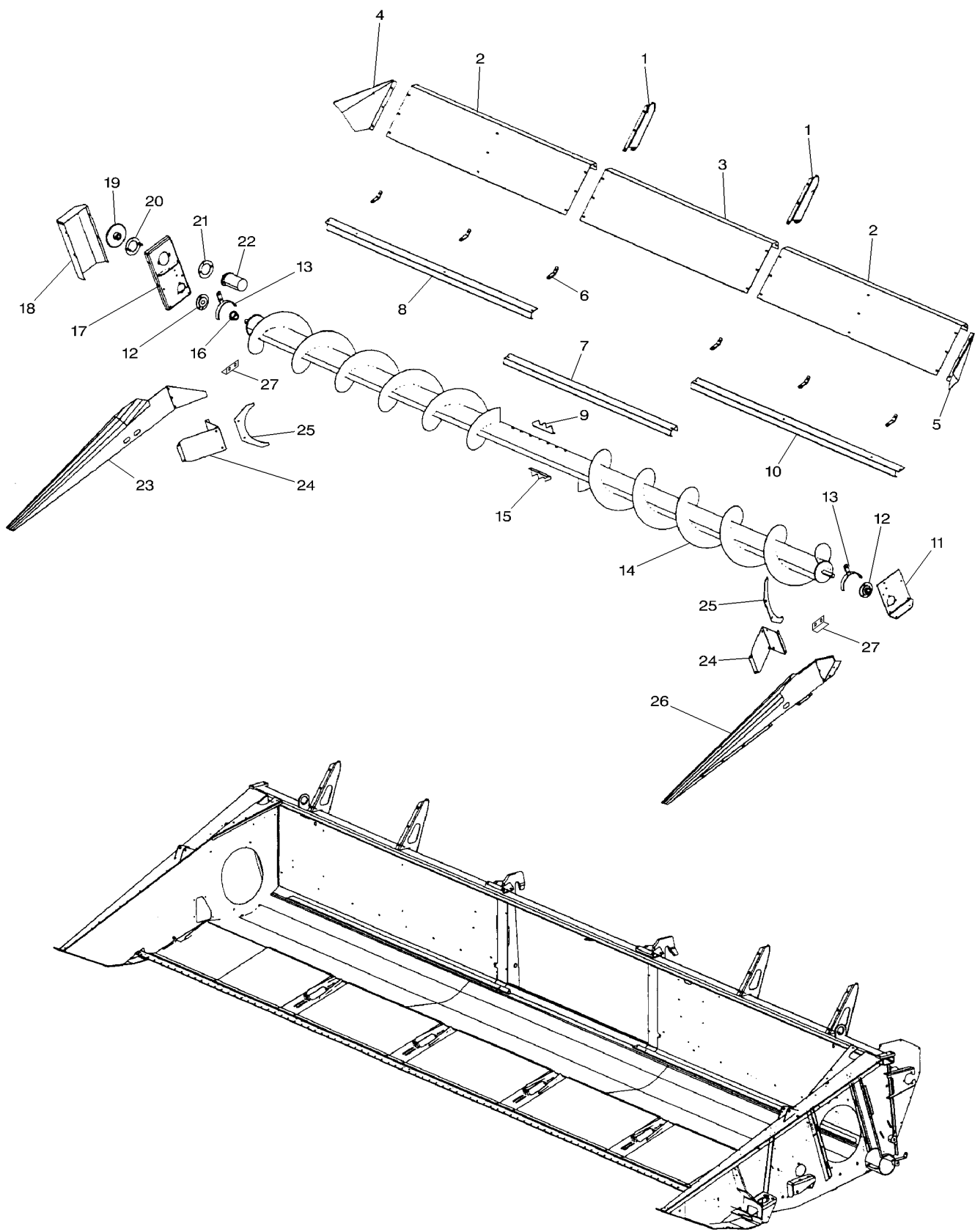
D-ZAAK-002-B

1	1440479X1		X	CIRCLIP	CIRCLIP	SEEGERING	GRAPA CIRCULAR
2	D41715600		X	BALL BEARING	ROULEMENT BILLES	KUGELLAGER	COJINETE DE BOLA
3	D28251582		X	BEARING CARRIER	PALIER	LAGER GEHAEUSE	COJINETE APOYO
4	D28285142		X	ROLLER	GALET	ROLLE	RODILLO
5	339365X1	M10 X 80	X	HEX. SOCK. SCREW	VIS TETE HEX	ZYLINDERSCHRAUBE	TORN.CAB.HUECA
6	D28251380		X	BRACKET	SUPPORT FIXATION	HALTEAM	SOPORTE
7	D20400506		X	WASHER	RONDELLE	SCHEIBE	ARANDELA
8	D40697400		X	SCREW	VIS	SCHRAUBE	TORNILLO
9	339560X1	M6 X 16	X	HEX. SOCK. SCREW	VIS TETE HEX	ZYLINDERSCHRAUBE	TORN.CAB.HUECA
10	391038X1		X	FLAT WASHER	RONDELLE PLATE	UNTERLEGSCHIEBEN	ARANDELA PLANA
11	D28251379		4	BRACKET	SUPPORT FIXATION	HALTEAM	SOPORTE
12	D28284381	◀	X	SHIELD	TOLE	SCHILD	BLINDAJE
13	D28284374	◀	X	SHIELD	TOLE	SCHILD	BLINDAJE
14	D28281310		2	GUIDE	GUIDE	FUEHRUNG	GUIA
15	D40064000		X	SCREW	VIS	SCHRAUBE	TORNILLO
16	339123X1	M8 X 20	X	HEX. SOCK. SCREW	VIS TETE HEX	ZYLINDERSCHRAUBE	TORN.CAB.HUECA
17	D20400506		X	WASHER	RONDELLE	SCHEIBE	ARANDELA
18	394367X1	M8	X	NUT	ECROU	MUTTER	TUERCA
19	339230X1	M6 X 10	X	HEX. SOCK. SCREW	VIS TETE HEX	ZYLINDERSCHRAUBE	TORN.CAB.HUECA
20	D28251543		1	TOOL	OUTIL	WERKZEUG	HERRAMIENTA
20	D28251545	20	1	TOOL	OUTIL	WERKZEUG	HERRAMIENTA
21	D28251544	20	1	TOOL	OUTIL	WERKZEUG	HERRAMIENTA
22	D43385200	20	2	SCREW	VIS	SCHRAUBE	TORNILLO
23	D28251547	20	1	ADJUSTER	REGLEUR	EINSTELLVORR	AJUSTADOR
24	D28281562		5	SCRAPER	RACLETTE	KRATZER	PALETA
25	391148X1	M8 X 20	16	SCREW	VIS	SCHRAUBE	TORNILLO
26	D28250932		5	BAND	BANDE	BAND	BANDA
27	D28285303		X	STRAP	PATTE	LASCHE	FAJA
28	D28285489	⚡ 2MM	X	SHIM	CALE REGLAGE	AUSGLEICHSCHIEBE	CALCE
28	D28285488	⚡ 1MM	X	SHIM	CALE REGLAGE	AUSGLEICHSCHIEBE	CALCE



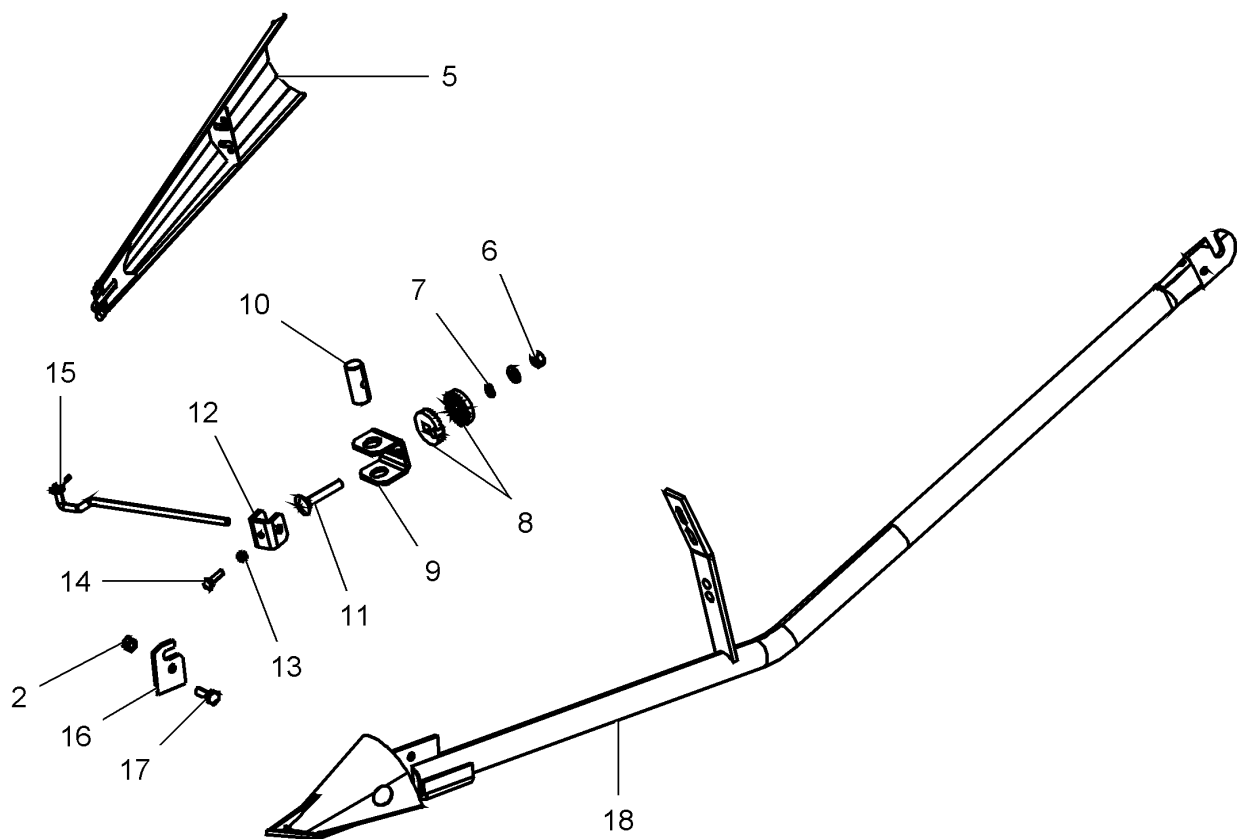
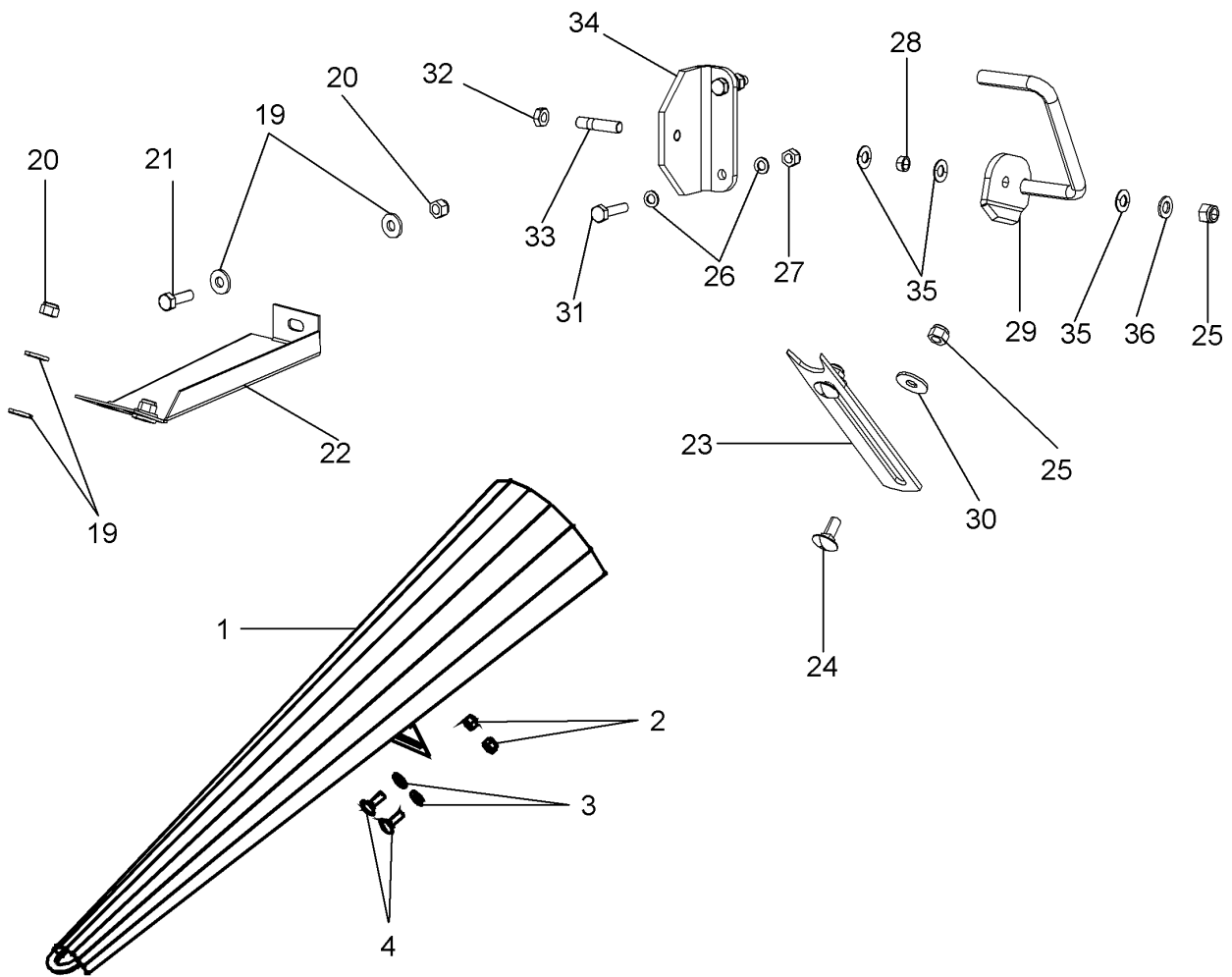
D-ZAAY-003-A

1	D58285124		2	SUPPORT	SUPPORT	TRAGER	SOPORTE
2	D58273992	▶ 20' - 6,16M	1	PLATE	PLAQUE	PLATTE	PLATO
2	D58273993	◀ 20' 6,16M	1	PLATE	PLAQUE	PLATTE	PLATO
2	D58273990	▶ 22' - 6,77M	1	PLATE	PLAQUE	PLATTE	PLATO
2	D58273991	◀ 22' - 6,77M	1	PLATE	PLAQUE	PLATTE	PLATO
2	D58284750	▶ 25' - 7,60M	1	PLATE	PLAQUE	PLATTE	PLATO
2	D58284749	◀ 25' - 7,60M	1	PLATE	PLAQUE	PLATTE	PLATO
3	D58284669		1	GUARD	GARDE	SCHUTZVORR	DEFENSA
4	D28282326		1	GUARD	GARDE	SCHUTZVORR	DEFENSA
5	D28282327		1	GUARD	GARDE	SCHUTZVORR	DEFENSA
6	D28282287		1	CLAMP	COLLIER	HALTESCHELLE	ABRAZADERA
7	D28282288		1	CLAMP	COLLIER	HALTESCHELLE	ABRAZADERA
8	D28282291	20' - 6,16M	1	STRIP	RUBAN	STREIFEN	TIRA
8	D28282293	22' - 6,77M	1	STRIP	RUBAN	STREIFEN	TIRA
8	D28282295	25' - 7,60M	1	STRIPPER	DEBOURREUR	ABSTREIFER	DESBARBADOR
9	D28282304	▶ 667MM	1	SLAT	LATTE	LATTE.	LISTON
9	D28282302	▶ 229MM	1	DOG	CHIEN	KLAUE	PRISIONERO
9	D28282303	▶ 448MM	1	DOG	CHIEN	KLAUE	PRISIONERO
10	D28282292	20' - 6,16M	1	STRIP	RUBAN	STREIFEN	TIRA
10	D28282294	22' - 6,77M	1	STRIP	RUBAN	STREIFEN	TIRA
10	D28282296	25' - 7,60M	1	STRIPPER	DEBOURREUR	ABSTREIFER	DESBARBADOR
11	D28282284		1	GUARD	GARDE	SCHUTZVORR	DEFENSA
12	D41709600		2	BEARING	COUSSINET	LAGER	COJINETE
13	D28282299		2	RAIL	RAIL	SCHIENE	RIEL
14	D28282316	20' - 6,16M	1	AUGER	VIS SANS FIN	FOERDERSCHNECKE	SINFIN
14	D28282315	22' - 6,77M	1	AUGER	VIS SANS FIN	FOERDERSCHNECKE	SINFIN
14	D28282314	25' - 7,60M	1	AUGER	VIS SANS FIN	FOERDERSCHNECKE	SINFIN
15	D28282307	◀ 667MM	1	SLAT	LATTE	LATTE.	LISTON
15	D28282305	◀ 229MM	1	DOG	CHIEN	KLAUE	PRISIONERO
15	D28282306	◀ 448MM	1	DOG	CHIEN	KLAUE	PRISIONERO
16	D28281339		1	DRIVE	COMMANDE	ANTRIEB	TRASMISION
17	D28282283		1	BRACKET	SUPPORT FIXATION	HALTEAMM	SOPORTE
18	D28282285		1	GUARD	GARDE	SCHUTZVORR	DEFENSA
19	D28281338	34	1	SPROCKET	BARBOTIN	KETTENRAD	RUEDA DE CADENA
20	D28650018		1	PLATE	PLAQUE	PLATTE	PLATO
21	D28650101		1	PLATE	PLAQUE	PLATTE	PLATO
22	D45120700		1	HYDRAULIC MOTOR	MOTEUR HYDRAULIC	HYDRAULIK MOTOR	MOTOR HIDRAULICO
23	D58283554		1	PANEL	PANNEAU	WANDPLATTE	PANEL
24	D28282301		2	DEFLECTOR	DEFLECTEUR	ABWEISBLECH	DEFLECTOR
25	D28282328		2	PLATE	PLAQUE	PLATTE	PLATO
26	D58285590		1	SIDE	COTE	SEITEN	LATERAL
27	D28281390	✂ 1 MM	1	SHIM	CALE REGLAGE	AUSGLEICHSCHIEBE	CALCE
27	D28281391		1	SHIM	CALE REGLAGE	AUSGLEICHSCHIEBE	CALCE



D-ZAAY-001-A

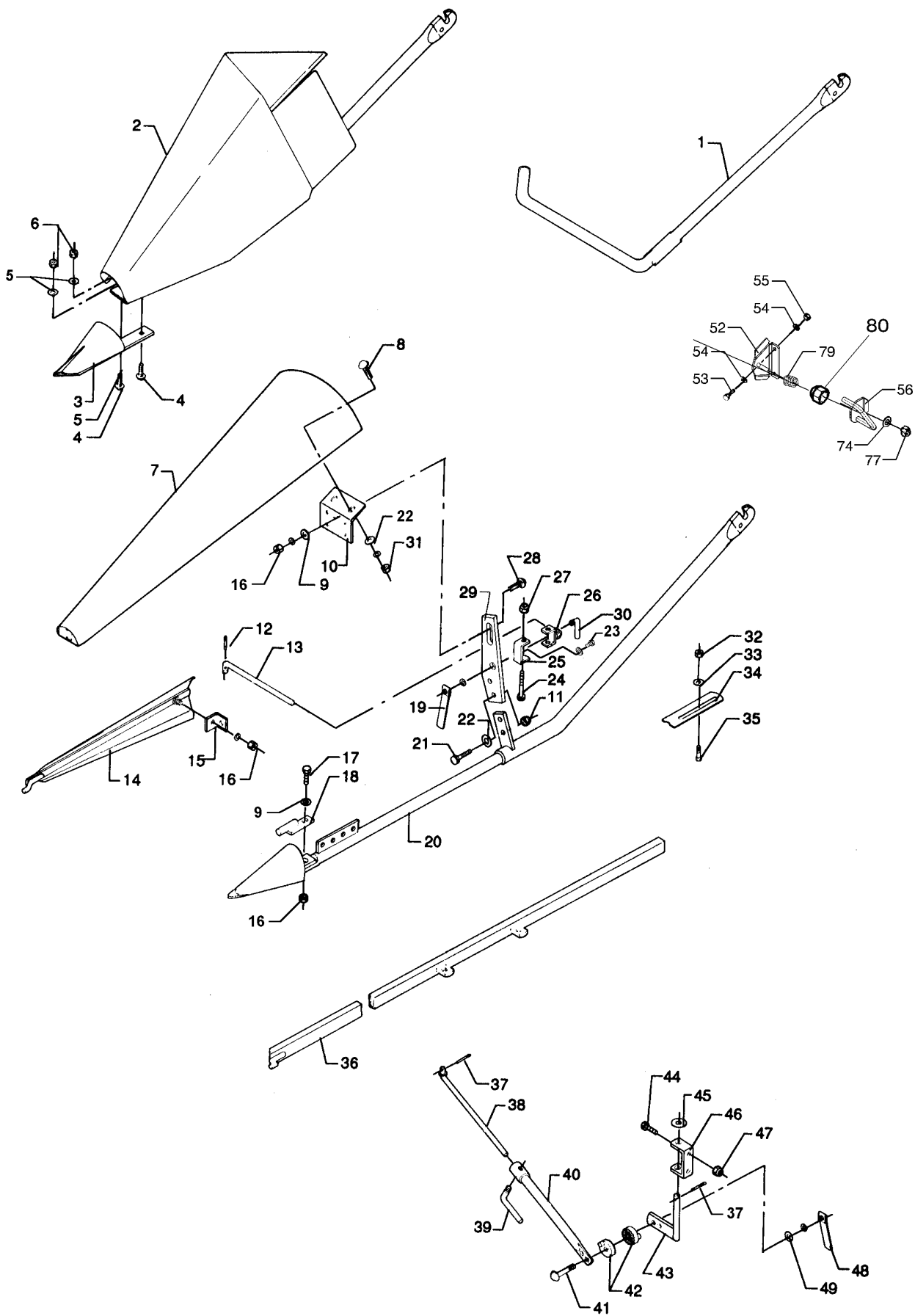
1	D58285124		2	SUPPORT	SUPPORT	TRAGER	SOPORTE
2	D58285663	20' - 6,16M	2	PLATE	PLAQUE	PLATTE	PLATO
2	D58285664	22' - 6,77M	2	PLATE	PLAQUE	PLATTE	PLATO
2	D58285119	25' - 7,60M	2	GUARD	GARDE	SCHUTZVORR	DEFENSA
3	D58285120		1	GUARD	GARDE	SCHUTZVORR	DEFENSA
4	D28282326		1	GUARD	GARDE	SCHUTZVORR	DEFENSA
5	D28282327		1	GUARD	GARDE	SCHUTZVORR	DEFENSA
6	D28282287		1	CLAMP	COLLIER	HALTESCHELLE	ABRAZADERA
7	D28282288		1	CLAMP	COLLIER	HALTESCHELLE	ABRAZADERA
8	D28282291	20' - 6,16M	1	STRIP	RUBAN	STREIFEN	TIRA
8	D28282293	22' - 6,77M	1	STRIP	RUBAN	STREIFEN	TIRA
8	D28282295	25' - 7,60M	1	STRIPPER	DEBOURREUR	ABSTREIFER	DESBARBADOR
9	D28282304	▶ 667MM	1	SLAT	LATTE	LATTE.	LISTON
9	D28282302	▶ 229MM	1	DOG	CHIEN	KLAUE	PRISIONERO
9	D28282303	▶ 448MM	1	DOG	CHIEN	KLAUE	PRISIONERO
10	D28282292	20' - 6,16M	1	STRIP	RUBAN	STREIFEN	TIRA
10	D28282294	22' - 6,77M	1	STRIP	RUBAN	STREIFEN	TIRA
10	D28282296	25' - 7,60M	1	STRIPPER	DEBOURREUR	ABSTREIFER	DESBARBADOR
11	D28282284		1	GUARD	GARDE	SCHUTZVORR	DEFENSA
12	D41709600		2	BEARING	COUSSINET	LAGER	COJINETE
13	D28282299		2	RAIL	RAIL	SCHIENE	RIEL
14	D28282316	20' - 6,16M	1	AUGER	VIS SANS FIN	FOERDERSCHNECKE	SINFIN
14	D28282315	22' - 6,77M	1	AUGER	VIS SANS FIN	FOERDERSCHNECKE	SINFIN
14	D28282314	25' - 7,60M	1	AUGER	VIS SANS FIN	FOERDERSCHNECKE	SINFIN
15	D28282307	◀ 667MM	1	SLAT	LATTE	LATTE.	LISTON
15	D28282305	◀ 229MM	1	DOG	CHIEN	KLAUE	PRISIONERO
15	D28282306	◀ 448MM	1	DOG	CHIEN	KLAUE	PRISIONERO
16	D28281339		1	DRIVE	COMMANDE	ANTRIEB	TRASMISION
17	D28282283		1	BRACKET	SUPPORT FIXATION	HALTEAM	SOPORTE
18	D28282285		1	GUARD	GARDE	SCHUTZVORR	DEFENSA
19	D28281338	34	1	SPROCKET	BARBOTIN	KETTENRAD	RUEDA DE CADENA
20	D28650018		1	PLATE	PLAQUE	PLATTE	PLATO
21	D28650101		1	PLATE	PLAQUE	PLATTE	PLATO
22	D45120700		1	HYDRAULIC MOTOR	MOTEUR HYDRAULIC	HYDRAULIK MOTOR	MOTOR HIDRAULICO
23	D58283554		1	PANEL	PANNEAU	WANDPLATTE	PANEL
24	D28282301		2	DEFLECTOR	DEFLECTEUR	ABWEISBLECH	DEFLECTOR
25	D28282328		2	PLATE	PLAQUE	PLATTE	PLATO
26	D58285590		1	SIDE	COTE	SEITEN	LATERAL
27	D28281390	✂ 1 MM	1	SHIM	CALE REGLAGE	AUSGLEICHSCHLEIBE	CALCE
27	D28281391		1	SHIM	CALE REGLAGE	AUSGLEICHSCHLEIBE	CALCE



D-ZABZ-010-A

1*D28282361	1 DIVIDER	DIVISEUR	ABTEILER	ASA DESVIADOR
2*1440329X1	3 LOCKNUT	ECROU FREIN	SICHERUNGSMUTTER	CONTRATUERCA
3*D20400426	3 WASHER	RONDELLE	SCHEIBE	ARANDELA
4*1442456X1	2 SCREW SPECIAL	VIS SPECIALE	SPEZIALSCHRAUBE	TORNILLO ESPEC.
5*D28282367	1 BLADE	LAME	KLINGE	HOJA CORTANTE
6*3009695X1	1 NUT	ECROU	MUTTER	TUERCA
7*D41100900	1 SPRING WASHER	RONDELLE ELASTIQ	FEDERSCHEIBE	ARANDELA ELASTI.
8*D28230488	2 CLUTCH	EMBRAYAGE	SCHALKUPPLUNG	EMBRAGUE
9*D28282364	1 BRACKET	SUPPORT FIXATION	HALTEAM	SOPORTE
10*D28282368	1 BRACKET	SUPPORT FIXATION	HALTEAM	SOPORTE
11*D40070900	1 SCREW	VIS	SCHRAUBE	TORNILLO
12*D28282369	1 CLAMP	COLLIER	HALTESCHELLE	ABRAZADERA
13*339169X1	1 NUT	ECROU	MUTTER	TUERCA
14*391561X1	1 HEX. SOCK. SCREW	VIS TETE HEX	ZYLINDERSCHRAUBE	TORN.CAB.HUECA
15*D28282372	1 ARM	BRAS	SCHARHEBEL	BRAZO
16*D28282375	1 LOCKING PLATE	PLAQUE BLOCAGE	SICH.BLECH	PLACA DE BLOCAJE
17*3009493X1	1 HEX. SOCK. SCREW	VIS TETE HEX	ZYLINDERSCHRAUBE	TORN.CAB.HUECA
18*D28282417	1 SUPPORT	SUPPORT	TRAGER	SOPORTE
19*D20400506	2 WASHER	RONDELLE	SCHEIBE	ARANDELA
20*D41087500	2 LOCKNUT	ECROU FREIN	SICHERUNGSMUTTER	CONTRATUERCA
21*D40405000	1 HEX. SOCK. SCREW	VIS TETE HEX	ZYLINDERSCHRAUBE	TORN.CAB.HUECA
22*D28281572	1 GUARD	GARDE	SCHUTZVORR	DEFENSA
23*D28251588	1 PLATE	PLAQUE	PLATTE	PLATO
24*D40070200	1 SCREW METRIC	VIS METRIQUE	SCHRAUBE METR	TORNILLO METRICO
25*D41087700	2 LOCKNUT	ECROU FREIN	SICHERUNGSMUTTER	CONTRATUERCA
26*D20400507	2 SPACER	ENTRETOISE	ABSTANDSTUECK	DISCO ESPACIADOR
27*D41087600	1 LOCKNUT	ECROU FREIN	SICHERUNGSMUTTER	CONTRATUERCA
28*D28285165	1 SPRING	RESSORT	FEDER	MUELLE
29*D28285162	1 ARM	BRAS	SCHARHEBEL	BRAZO
29*D28285185	1 ARM	BRAS	SCHARHEBEL	BRAZO
30*D20400423	1 FLAT WASHER	RONDELLE PLATE	UNTERLEGSCHIBEN	ARANDELA PLANA
31*D40408100	1 HEX. SOCK. SCREW	VIS TETE HEX	ZYLINDERSCHRAUBE	TORN.CAB.HUECA
32*D41012100	1 LOCKNUT	ECROU FREIN	SICHERUNGSMUTTER	CONTRATUERCA
33*D40385500	1 BOLT	BOULON	BOLZEN	BULON
34*D28286050	1 SUPPORT	SUPPORT	TRAGER	SOPORTE
35*D41112300	3 WASHER	RONDELLE	SCHEIBE	ARANDELA
36*D20400426	1 WASHER	RONDELLE	SCHEIBE	ARANDELA

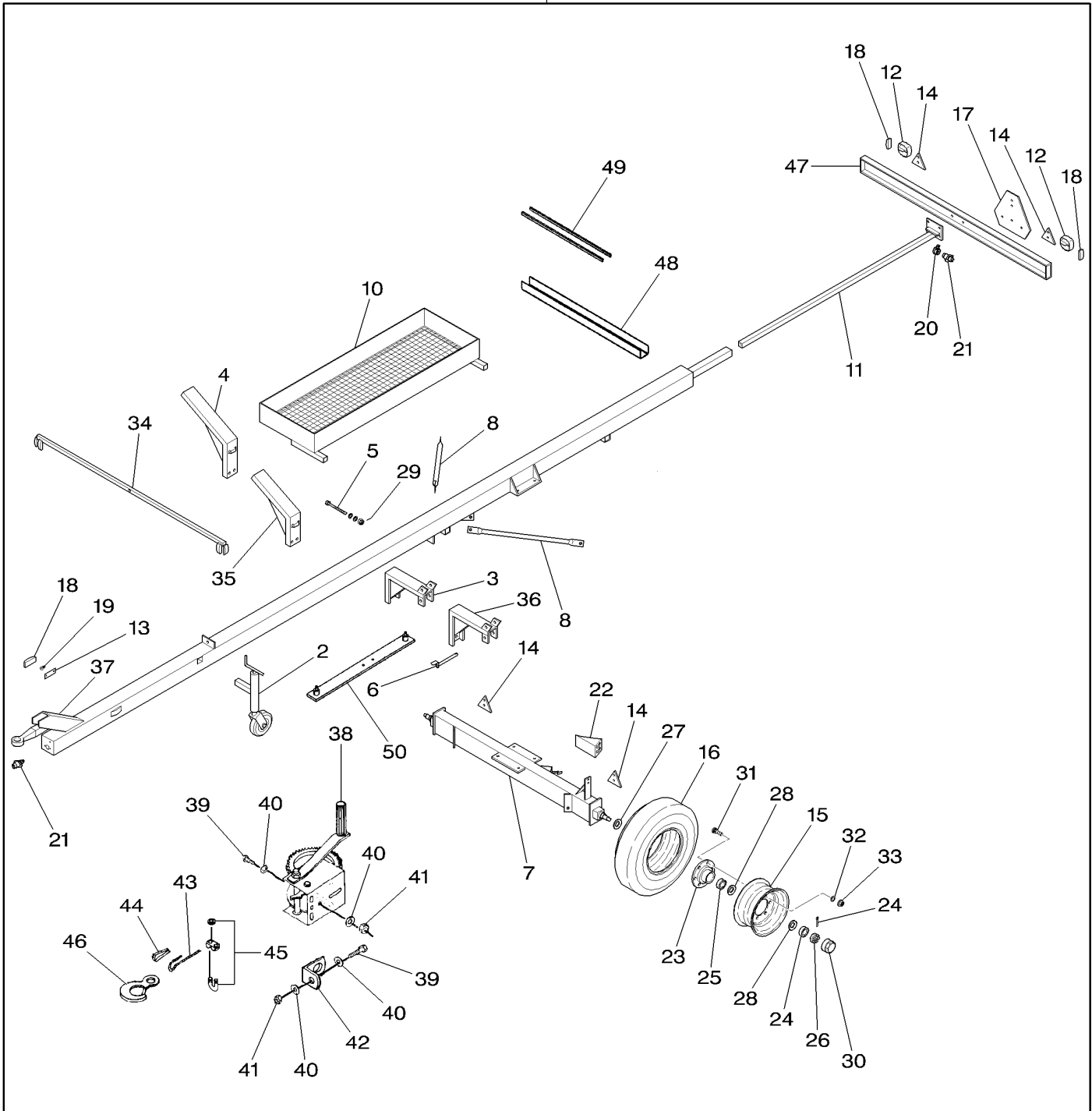




D-ZABZ-008-A

1	D18251600		1	DIVIDER	DIVISEUR	ABTEILER	ASA DESVIADOR
2	D28251604	RH + LH	1	DIVIDER	DIVISEUR	ABTEILER	ASA DESVIADOR
2	D18251602	2 ◀	1	DIVIDER	DIVISEUR	ABTEILER	ASA DESVIADOR
2	D18251603	2 ▶	1	DIVIDER	DIVISEUR	ABTEILER	ASA DESVIADOR
3	D18260226	2	2	POINT	POINTE	SPITZE	PUA
4	1442456X1	2 M10 X 30	4	SCREW SPECIAL	VIS SPECIALE	SPEZIALSCHRAUBE	TORNILLO ESPEC.
5	D20400471	2	4	WASHER	RONDELLE	SCHEIBE	ARANDELA
6	1440329X1	2 M10	4	LOCKNUT	ECROU FREIN	SICHERUNGSMUTTER	CONTRATUERCA
7	D58282361		1	DIVIDER	DIVISEUR	ABTEILER	ASA DESVIADOR
8	385370X1	7 M8 X 25	2	BOLT	BOULON	BOLZEN	BULON
9	D20400471	7	3	WASHER	RONDELLE	SCHEIBE	ARANDELA
10	D18230447	7	1	PLATE	PLAQUE	PLATTE	PLATO
11	394367X1	7 M8	2	NUT	ECROU	MUTTER	TUERCA
12	1442034X1	7 ∅ 4 X 20	1	SPLIT PIN	GOUPILLE FENDUE	SPALTBOLZEN	PASADOR HENDIDO
13	D58282367	7	1	BLADE	LAME	KLINGE	HOJA CORTANTE
14	D28282375	7	1	LOCKING PLATE	PLAQUE BLOCAGE	SICH.BLECH	PLACA DE BLOCAJE
15	D27200313	7	1	ANGLE.	EQUERRE.	WINKEL	ANGULO
16	339402X1	7 M10	3	NUT SPECIAL	ECROU SPECIAL	SPEZIALMUTTER	TUERCA ESPECIAL
17	390799X1	7 M10 X 40	1	HEX. SOCK. SCREW	VIS TETE HEX	ZYLINDERSCHRAUBE	TORN.CAB.HUECA
18	D17200640	7	1	STOP	BUTEE	ANSCHLAG	PARO
19	D27300323	7	1	LOCKNUT	ECROU FREIN	SICHERUNGSMUTTER	CONTRATUERCA
20	D28282417	7	1	SUPPORT	SUPPORT	TRAGER	SOPORTE
21	339761X1	7 M8 X 25	2	HEX. SOCK. SCREW	VIS TETE HEX	ZYLINDERSCHRAUBE	TORN.CAB.HUECA
22	D20400506	7	4	WASHER	RONDELLE	SCHEIBE	ARANDELA
23	D28230467	7	1	MOUNTING	MONTANT	HALTERUNG	MONTANTE
23	D40211200	23	1	SCREW	VIS	SCHRAUBE	TORNILLO
24	339891X1	23 M8 X 80	1	HEX. SOCK. SCREW	VIS TETE HEX	ZYLINDERSCHRAUBE	TORN.CAB.HUECA
25	D28282369	23	1	CLAMP	COLLIER	HALTESCHELLE	ABRAZADERA
26	D28282364	23	1	BRACKET	SUPPORT FIXATION	HALTEAM	SOPORTE
27	394367X1	23 M8	1	NUT	ECROU	MUTTER	TUERCA
28	390809X1	7 M10 X 25	2	SCREW SPECIAL	VIS SPECIALE	SPEZIALSCHRAUBE	TORNILLO ESPEC.
29	D18250549	7	1	PLATE	PLAQUE	PLATTE	PLATO
30	D28282368	7	1	BRACKET	SUPPORT FIXATION	HALTEAM	SOPORTE
31	339169X1	7 M8	2	NUT	ECROU	MUTTER	TUERCA
32	1442190X1	M12	2	LOCKNUT	ECROU FREIN	SICHERUNGSMUTTER	CONTRATUERCA
33	D20400423		2	FLAT WASHER	RONDELLE PLATE	UNTERLEGSCHIEBEN	ARANDELA PLANA
34	D28251588		2	PLATE	PLAQUE	PLATTE	PLATO
35	D40070200	M8 X 20	2	SCREW METRIC	VIS METRIQUE	SCHRAUBE METR	TORNILLO METRICO
36	D28230487		1	WING TIP	AILERON	FLUEGELSPITZE	ALERON
36	D28230480	36	1	WING TIP	AILERON	FLUEGELSPITZE	ALERON
37	354076X1	36 3/16" X 1	2	PIN	GOUPILLE	STIFT	PASADOR
38	D28230482	36	1	SUPPORT	SUPPORT	TRAGER	SOPORTE
39	D27200364	36	1	GRIP	POIGNEE	HANDGRIFF	MANGO
40	D28230486	36	1	PIPE	TUYAU	TUBE	TUBO
41	339226X1	36 M6 X 16	1	SCREW SPECIAL	VIS SPECIALE	SPEZIALSCHRAUBE	TORNILLO ESPEC.
41	D40070900	36 M12	1	SCREW	VIS	SCHRAUBE	TORNILLO
42	D28230488	36	2	CLUTCH	EMBRAYAGE	SCHALTKUPPLUNG	EMBRAGUE
43	D28230473	36	1	SUPPORT	SUPPORT	TRAGER	SOPORTE
44	3009492X1	36 M10 X 25	2	HEX. SOCK. SCREW	VIS TETE HEX	ZYLINDERSCHRAUBE	TORN.CAB.HUECA
45	D20400518	36	1	SPACER	ENTRETOISE	ABSTANDSTUECK	DISCO ESPACIADOR
46	D28230472	36	1	BRACKET	SUPPORT FIXATION	HALTEAM	SOPORTE
47	1440329X1	36 M10	2	LOCKNUT	ECROU FREIN	SICHERUNGSMUTTER	CONTRATUERCA
48	D27300323	36 1/2 WG	1	LOCKNUT	ECROU FREIN	SICHERUNGSMUTTER	CONTRATUERCA
48	D28284403	36 M12	1	LOCKNUT	ECROU FREIN	SICHERUNGSMUTTER	CONTRATUERCA
49	D20400426	36	1	WASHER	RONDELLE	SCHEIBE	ARANDELA
52	D28286051		1	BRACKET	SUPPORT FIXATION	HALTEAM	SOPORTE
53	339814X1	M10 X 35	4	HEX. SOCK. SCREW	VIS TETE HEX	ZYLINDERSCHRAUBE	TORN.CAB.HUECA
54	D20400507		8	SPACER	ENTRETOISE	ABSTANDSTUECK	DISCO ESPACIADOR
55	1440329X1	M10	4	LOCKNUT	ECROU FREIN	SICHERUNGSMUTTER	CONTRATUERCA
56	D28285185	▶	1	ARM	BRAS	SCHARHEBEL	BRAZO
56	D28285162	◀	1	ARM	BRAS	SCHARHEBEL	BRAZO
74	D20400537		2	SPACER	ENTRETOISE	ABSTANDSTUECK	DISCO ESPACIADOR
77	1442190X1	M12	2	LOCKNUT	ECROU FREIN	SICHERUNGSMUTTER	CONTRATUERCA
79	D28285165		2	SPRING	RESSORT	FEDER	MUELLE
80	D45750300		1	FERRULE	VIROLE	ZWINGE	MANGLO METALICO

1



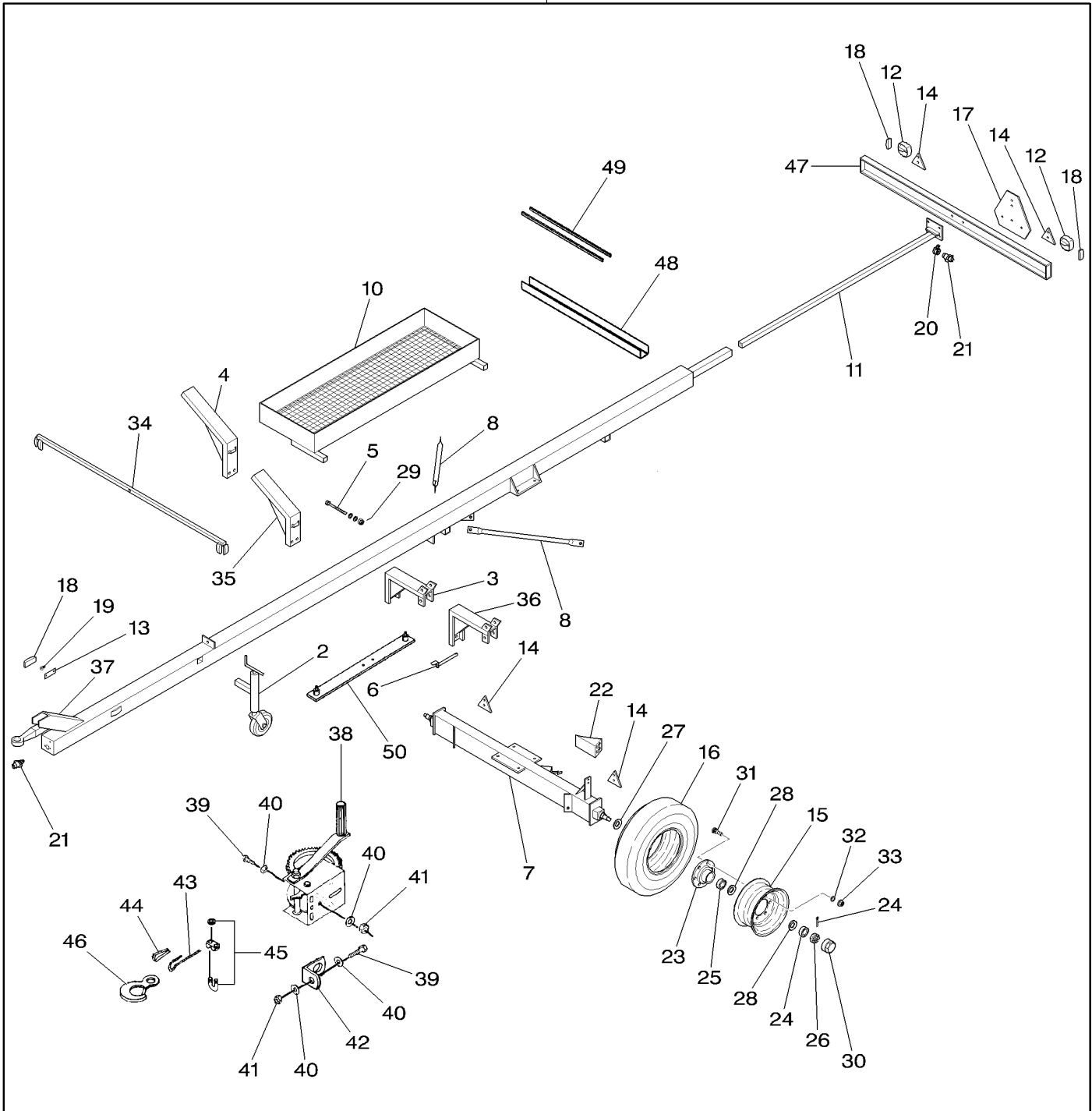
D-ZABA-007-B

1	D28282399	[A] 18' - 25' 5,56 - 7,60M	1 TRAILER	REMORQUE	ANHAENGER	REMOLQUE
1	D28282400	[A] 12' - 16' 3,72 - 4,95M	1 TRAILER	REMORQUE	ANHAENGER	REMOLQUE
1	D28282401	[C] 18' - 25' 5,56 - 7,60M	1 TRAILER	REMORQUE	ANHAENGER	REMOLQUE
1	D28282402	[C] 12' - 16' 3,72 - 4,95M	1 TRAILER	REMORQUE	ANHAENGER	REMOLQUE
1	D28282403	[B] 18' - 25' 5,56 - 7,60M	1 TRAILER	REMORQUE	ANHAENGER	REMOLQUE
1	D28282404	[B] 12' - 16' 3,72 - 4,95M	1 TRAILER	REMORQUE	ANHAENGER	REMOLQUE
2	D28282642	CPL.	1 WHEEL	ROUE	RAD	RUEDA
3	D28282490	▶ FREEFLOW	2 BRACKET	SUPPORT FIXATION	HALTEAM	SOPORTE
4	D28282485	▶ POWERFLOW	2 BRACKET	SUPPORT FIXATION	HALTEAM	SOPORTE
5	D28282389		2 BOLT	BOULON	BOLZEN	BULON
6	D28283693		4 BOLT	BOULON	BOLZEN	BULON
7	D28282391		1 AXLE	ESSIEU	ACHSE	EJE
8	D28282390		2 STAY	HAUBAN	STREBE	TIRANTE
10	D28282398		1 SUPPORT	SUPPORT	TRAGER	SOPORTE
11	D28282393		1 CLEVIS PIN	AXE	SPLINTBOLZEN	BULON CILINDRICO
12	D45000228		2 LIGHT	FEU	LEUCHE	LAMPARA/LUZ
13	D45084600		6 REFLECTOR	CATADIOPTRE	RUECKSTRAHLER	LUZ REFRACTANTE
14	D45083900		4 REFLECTOR	CATADIOPTRE	RUECKSTRAHLER	LUZ REFRACTANTE
15	D28282392		2 WHEEL RIM	JANTE	FELGE	LLANTA
16	D46731800		2 TYRE	PNEU	REIFEN	NEUMATICO
17	D45084500		1 REFLECTOR	CATADIOPTRE	RUECKSTRAHLER	LUZ REFRACTANTE
18	D45000268		8 SIDE LAMP	FEU LATERAL	POSITIONSLEUCHE	LUZ DE COSTADO
19	D45081300		6 BULB	AMPOULE	GLUEHLAMPE	BOMBILLA
20	D45005200		1 ELECTRIC SOCKET	PRISE ELEC FEMEL	STECKDOSE	TOMACORRIENTE F
21	D45005300		2 ELECTRIC SOCKET	PRISE ELEC FEMEL	STECKDOSE	TOMACORRIENTE F
22	D45907200		2 SHOE	SABOT	SCHUH	ZAPATA
23	D46743600		2 HOUSING	CARTER	GEHAUSE	ALOJAMIENTO
24	D41663000		2 BEARING TAPER	ROULEMNT CONIQUE	KEGELLAGER	RODAMIENTO CONI
25	950579M1		2 ROLLER BEARING	ROULEMENT GALETS	ROLLENLAGER	COJINETE RODILLO
26	D41049500		2 NUT	ECROU	MUTTER	TUERCA
27	D46743400		2 RING	ANNEAU	RING.	ANILLO
28	D46743500		2 RING	ANNEAU	RING.	ANILLO
29	339037X1	∅ 5 X 50	2 SPLIT PIN	GOUPILLE FENDUE	SPALTBOLZEN	PASADOR HENDIDO
30	D46743700		2 CAP	CHAPEAU	KAPPE	TAPA
31	D46743800		12 BOLT	BOULON	BOLZEN	BULON
32	339448X1		12 SPRING WASHER	RONDELLE ELASTIQ	FEDERSCHEIBE	ARANDELA ELASTI.
33	339447X1	M18	12 NUT	ECROU	MUTTER	TUERCA
34	D28282395		1 FRONT LIGHT	FEU AVANT	BLPO LEUCHE	FRONT LIGHT
35	D28282495	▶ FREEFLOW	2 BRACKET	SUPPORT FIXATION	HALTEAM	SOPORTE
36	D28282480	▶ POWERFLOW	2 BRACKET	SUPPORT FIXATION	HALTEAM	SOPORTE
37	D28282609	CPL	1 BRACKET	SUPPORT FIXATION	HALTEAM	SOPORTE
38	D45906700	[D]	1 CAPSTAN	CABESTAN	SEILWINDE	CABRESTANTE
39	339761X1	[D] M8 X 25	3 HEX. SOCK. SCREW	VIS TETE HEX	ZYLINDERSCHRAUBE	TORN.CAB.HUECA
40	D20400506	[D]	6 WASHER	RONDELLE	SCHEIBE	ARANDELA
41	394367X1	[D] M8	3 NUT	ECROU	MUTTER	TUERCA
42	D28284042	[D]	1 BRACKET	SUPPORT FIXATION	HALTEAM	SOPORTE
43	D28284143	[D]	1 PIPE	TUYAU	TUBE	TUBO
43	D28282153	43 [D]	1 RAIL	RAIL	SCHIENE	RIEL
44	D43409000	43 [D]	1 THIMBLE	COSSE	MUFFE	DEDAL
45	D43405900	43 [D]	2 BRACKET	SUPPORT FIXATION	HALTEAM	SOPORTE
46	D43410400	43 [D]	1 HOOK	CROCHET	HAKEN	GANCHO
47	D28282540		1 PLATE	PLAQUE	PLATTE	PLATO
48	D28282645		2 SUPPORT	SUPPORT	TRAGER	SOPORTE
49	D28282647		4 PROTECTIVE STRIP	GAINE PROTECTION	KANTENSCHUTZ	BANDA PROTECTORA
50	D28282633		1 BRACKET	SUPPORT FIXATION	HALTEAM	SOPORTE

[A] WITHOUT TRAILER BRAKING
 SANS FREINAGE DE REMORQUE
 OHNE ANHAENGERBREMSE
 SIN FRENO DE REMOLQUE

[B] WITH TRAILOR BRAKING
 AVEC FREINAGE DE REMORQUE
 MIT ANHAENGERBREMSUNG
 CON TRAILOR BRAKING

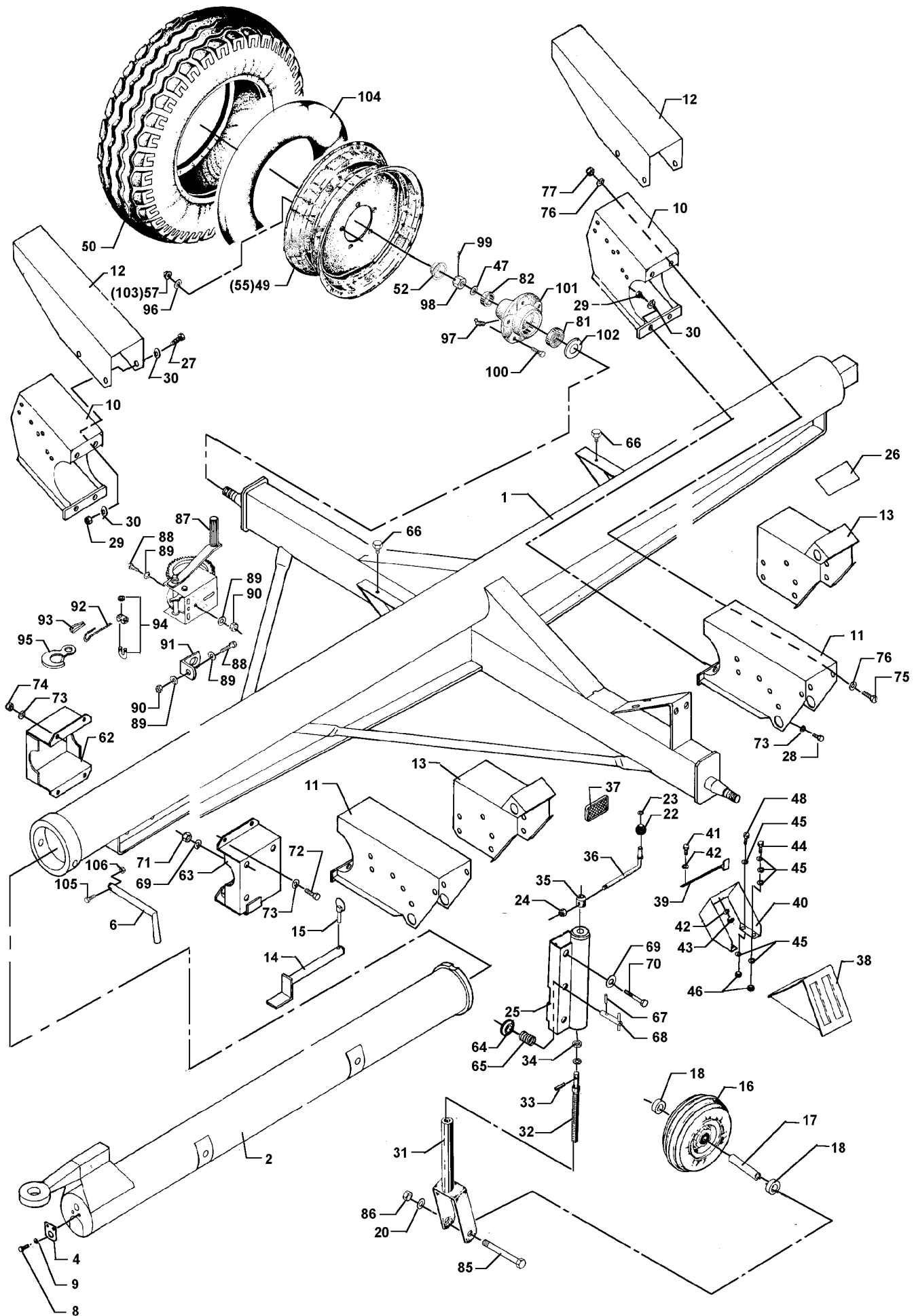
1



D-ZABA-007-B

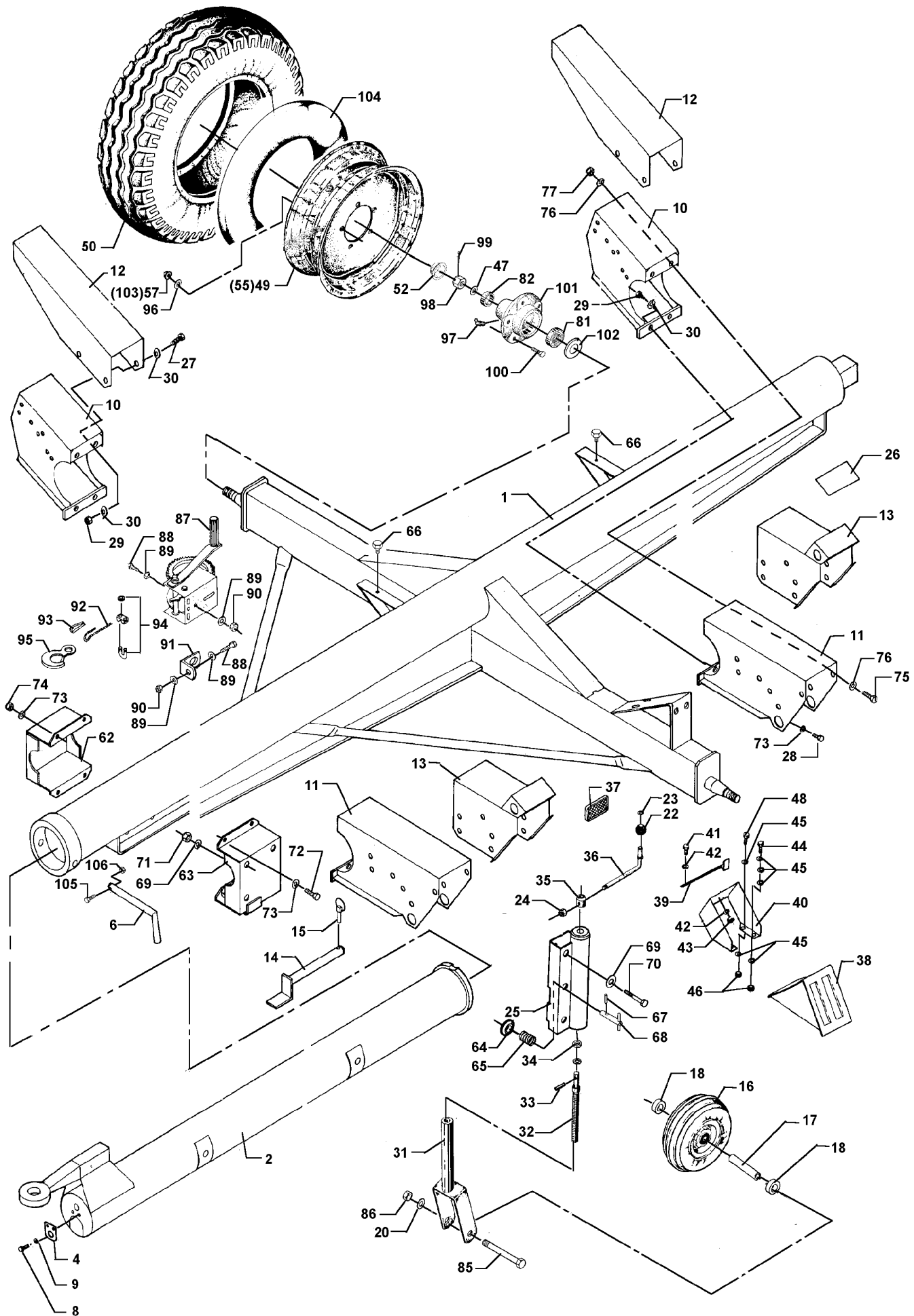
[C] FOR ITALY ONLY
POUR ITALIE SEULEMENT
NUR FUER ITALIE
SOLAMENTE ITALIA

[D] OPTIONAL EQUIPMENT
EQUIPEMENT EN OPTION
AURUSTUNG WAHLWEISE
EQUIPO OPCIONAL



D-ZABA-009-A

1	D28285150	22' - 25' 6,77M - 7,60M	1	ROD	TRINGLE	STANGE	VARILLA
1	D28285151	[A] 22' - 25' 6,77M - 7,60M	1	ROD	TRINGLE	STANGE	VARILLA
1	D28283658	20' - 6,16M	1	TRAILER	REMORQUE	ANHAENGER	REMOLQUE
1	D28283960	[A] 20' - 6,16M	1	TRAILER	REMORQUE	ANHAENGER	REMOLQUE
2	D28285145	22' - 25' 6,77M - 7,60M	1	ROD	TRINGLE	STANGE	VARILLA
2	D28283668		1	DRAWBAR	BARRE ATTELAGE	ZUGPENDEL	BARRA D'ENGANCHE
4	D28250748		1	SUPPORT	SUPPORT	TRAGER	SOPORTE
6	D28283633		1	SCREW	VIS	SCHRAUBE	TORNILLO
8	D40402400		2	HEX. SOCK. SCREW	VIS TETE HEX	ZYLINDERSCHRAUBE	TORN.CAB.HUECA
9	D20400404		2	WASHER	RONDELLE	SCHEIBE	ARANDELA
10	D28283675		2	BRACKET	SUPPORT FIXATION	HALTEAM	SOPORTE
11	D28283676		2	BRACKET	SUPPORT FIXATION	HALTEAM	SOPORTE
12	D28283678		2	SUPPORT	SUPPORT	TRAGER	SOPORTE
13	D28283683		2	SUPPORT	SUPPORT	TRAGER	SOPORTE
14	D28283693		2	BOLT	BOULON	BOLZEN	BULON
15	D41446200		2	SPLIT PIN	GOUPILLE FENDUE	SPALTBOLZEN	PASADOR HENDIDO
16	D46721700		1	WHEEL	ROUE	RAD	RUEDA
17	D28250317		1	BUSH	BAGUE	RING	CASQUILLO
18	D28250305		2	SPACER	ENTRETOISE	ABSTANDSTUECK	DISCO ESPACIADOR
20	D20400459		2	WASHER	RONDELLE	SCHEIBE	ARANDELA
22	D28200609		1	BALL	BILLE	KUGEL	BOLA
23	D20400466		1	WASHER	RONDELLE	SCHEIBE	ARANDELA
24	D41087700		1	LOCKNUT	ECROU FREIN	SICHERUNGSMUTTER	CONTRATUERCA
25	D28284035		1	PIPE	TUYAU	TUBE	TUBO
26	D49138600		1	TRANSFER	AUTO COLLANT	ABZIEHBILD	CROMO
27	D40410900		16	HEX. SOCK. SCREW	VIS TETE HEX	ZYLINDERSCHRAUBE	TORN.CAB.HUECA
28	D40411100		4	HEX. SOCK. SCREW	VIS TETE HEX	ZYLINDERSCHRAUBE	TORN.CAB.HUECA
29	D41087700		20	LOCKNUT	ECROU FREIN	SICHERUNGSMUTTER	CONTRATUERCA
30	D20400423		32	FLAT WASHER	RONDELLE PLATE	UNTERLEGSCHIEBEN	ARANDELA PLANA
31	D28250340		1	PIPE	TUYAU	TUBE	TUBO
32	D28250337		1	SPINDLE	FUSEE	DREHZAPFEN	PIVOTE DE VOLTEO
33	D42612000		1	PIN	GOUPILLE	STIFT	PASADOR
34	D41597100		1	BALL BEARING	ROULEMENT BILLES	KUGELLAGER	COJINETE DE BOLA
35	D28250356		1	HUB	MOYEU	NABE	CUBO
36	D28250327		1	LEVER	LEVIER	HEBEL	PALANCA
37	D45084600		6	REFLECTOR	CATADIOPTRE	RUECKSTRAHLER	LUZ REFRACTANTE
38	D45907200		2	SHOE	SABOT	SCHUH	ZAPATA
39	D28260477	39	2	RETAINER	RETENEUR	HALTERING	RETENEDOR
40	D28283963	39	2	RETAINER	RETENEUR	HALTERING	RETENEDOR
41	D40402400	39	2	HEX. SOCK. SCREW	VIS TETE HEX	ZYLINDERSCHRAUBE	TORN.CAB.HUECA
42	D20400404	39	4	WASHER	RONDELLE	SCHEIBE	ARANDELA
43	1441462X1	39 ⇒ D41087400	2	LOCKNUT	ECROU FREIN	SICHERUNGSMUTTER	CONTRATUERCA
44	D40405100		4	HEX. SOCK. SCREW	VIS TETE HEX	ZYLINDERSCHRAUBE	TORN.CAB.HUECA
45	D20400413		28	WASHER	RONDELLE	SCHEIBE	ARANDELA
46	394367X1		4	NUT	ECROU	MUTTER	TUERCA
47	D20400459		2	WASHER	RONDELLE	SCHEIBE	ARANDELA
48	339123X1	● D40404900	4	HEX. SOCK. SCREW	VIS TETE HEX	ZYLINDERSCHRAUBE	TORN.CAB.HUECA
49	D28284453	[C]	2	WHEEL	ROUE	RAD	RUEDA
50	D46735600		2	TYRE	PNEU	REIFEN	NEUMATICO
52	D46723900		2	CAP	CHAPEAU	KAPPE	TAPA
55	D28284452	[B]	2	WHEEL RIM	JANTE	FELGE	LLANTA
57	D41021500	M 12	10	NUT	ECROU	MUTTER	TUERCA
62	D28284043		1	BRACKET	SUPPORT FIXATION	HALTEAM	SOPORTE
63	D28284048		1	BRACKET	SUPPORT FIXATION	HALTEAM	SOPORTE
64	D28284490		2	SPACER	ENTRETOISE	ABSTANDSTUECK	DISCO ESPACIADOR
65	D28700136		1	SPRING	RESSORT	FEDER	MUELLE
66	D43385200		2	SCREW	VIS	SCHRAUBE	TORNILLO
67	D41410800		1	SPLIT PIN	GOUPILLE FENDUE	SPALTBOLZEN	PASADOR HENDIDO
68	D28250355		1	PIN	GOUPILLE	STIFT	PASADOR
69	D20400522		2	SPACER	ENTRETOISE	ABSTANDSTUECK	DISCO ESPACIADOR
70	D40418800		1	SCREW	VIS	SCHRAUBE	TORNILLO
71	D41088100		1	LOCKNUT	ECROU FREIN	SICHERUNGSMUTTER	CONTRATUERCA
72	D40411100		4	HEX. SOCK. SCREW	VIS TETE HEX	ZYLINDERSCHRAUBE	TORN.CAB.HUECA
73	D20400426		14	WASHER	RONDELLE	SCHEIBE	ARANDELA
74	D41087700		2	LOCKNUT	ECROU FREIN	SICHERUNGSMUTTER	CONTRATUERCA
75	D40435100		4	SCREW	VIS	SCHRAUBE	TORNILLO
76	D28181284		8	WASHER	RONDELLE	SCHEIBE	ARANDELA
77	D41087900		4	LOCKNUT	ECROU FREIN	SICHERUNGSMUTTER	CONTRATUERCA
81	339481X1		2	BEARING TAPER	ROULEMNT CONIQUE	KEGELLAGER	RODAMIENTO CONI
82	D41661100		2	BEARING TAPER	ROULEMNT CONIQUE	KEGELLAGER	RODAMIENTO CONI
85	D40435600		1	SCREW	VIS	SCHRAUBE	TORNILLO
86	D41087900		1	LOCKNUT	ECROU FREIN	SICHERUNGSMUTTER	CONTRATUERCA
87	D45906700	[D]	1	CAPSTAN	CABESTAN	SEILWINDE	CABRESTANTE
88	D40405000	[D]	3	HEX. SOCK. SCREW	VIS TETE HEX	ZYLINDERSCHRAUBE	TORN.CAB.HUECA
89	D20400506	[D]	6	WASHER	RONDELLE	SCHEIBE	ARANDELA
90	394367X1	[D]	3	NUT	ECROU	MUTTER	TUERCA
91	D28284042	[D]	1	BRACKET	SUPPORT FIXATION	HALTEAM	SOPORTE



D-ZABA-009-A

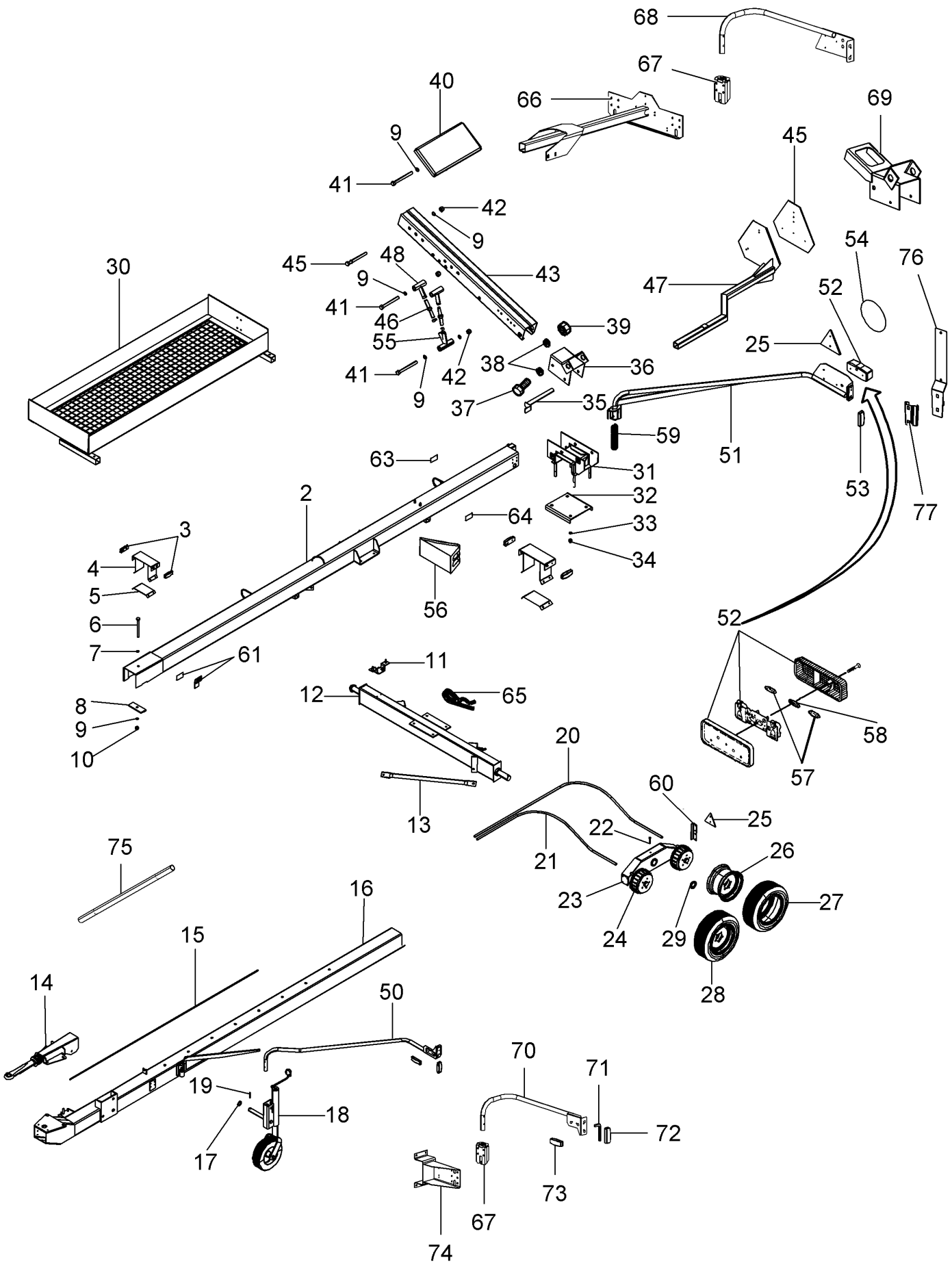
92	D28284143	[D]	1	PIPE	TUYAU	TUBE	TUBO
92	D28782153	92 [D] 5 M	X	WIRE	FIL	DRAHT	HILO
93	D43409000	92 [D]	1	THIMBLE	COSSE	MUFFE	DEDAL
94	D43405900	92 [D]	2	BRACKET	SUPPORT FIXATION	HALTEARM	SOPORTE
95	D43410400	92 [D]	1	HOOK	CROCHET	HAKEN	GANCHO
96	D41111200	[B]	10	CLIP	PATTE D'ATTACHE	SCHELLE	CLIP
97	D43001500	[B]	2	GREASE FITTING	GRAISSEUR	DRUCKSCHMIERKOPF	ENGRASADOR
98	D41048700	[B]	2	CASTLE NUT	ECROU A CRENEAU	KRONENMUTTER	TUERCA CON MUES.
99	D41408800	[B]	2	SPLIT PIN	GOUPILLE FENDUE	SPALTBOLZEN	PASADOR HENDIDO
100	D46728300	M 14	10	BOLT	BOULON	BOLZEN	BULON
101	D46729200	[B]	2	HOUSING	CARTER	GEHAEUSE	ALOJAMIENTO
102	D46727400	[B]	2	SEAL	JOINT ETANCHEITE	DICHTRING	JUNTA REDONDA
103	D41013000	M 14	10	NUT	ECROU	MUTTER	TUERCA
104	D46707400		2	HOSE	DURITE	SCHLAUCH	TUBO DE GOMA
105	D40423600		1	HEX. SOCK. SCREW	VIS TETE HEX	ZYLINDERSCHRAUBE	TORN.CAB.HUECA
106	394367X1		1	NUT	ECROU	MUTTER	TUERCA

[A] EQUIPMENT REQUIRED AND APPROVED BY THE TOV AUTHORITIES
EQUIPEMENT PRESCRIT ET HOMOLOGUE PAR LES AUTORITES TOV
VON TOV GEFORDERTE UND ZUGELASSENE AUSR STUNG
EQUIPO EXIGIDO Y APROBADO POR LAS AUTORIDADE TOV

[B] FOR HUB WITH M14 HUB BOLTS
POUR MOYEU A BOULON MOYEU M14
FUER NABE MIT M14 NABENBOLZEN
PARA CUBO CON PERNOS M14

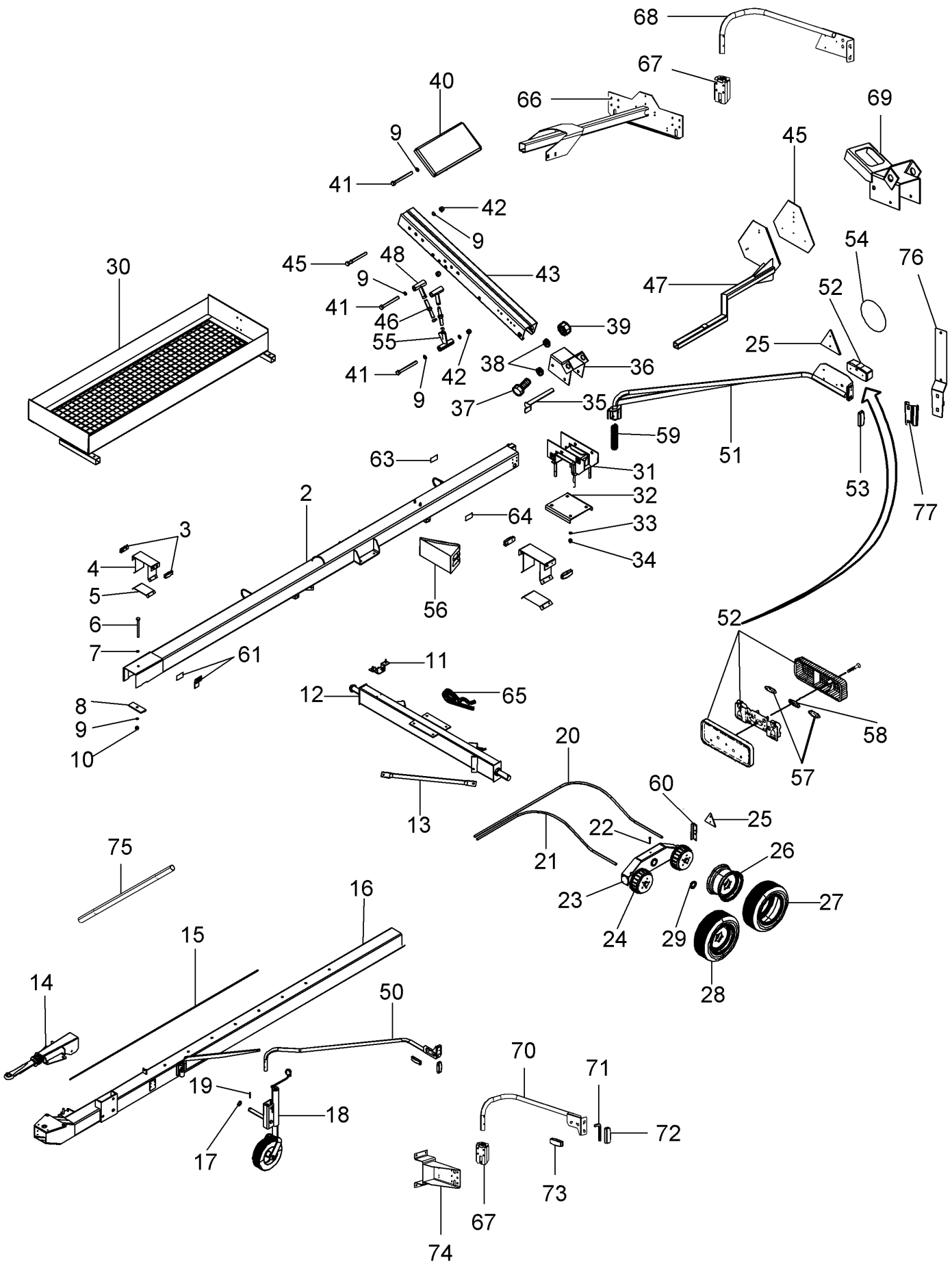
[C] FOR HUB WITH M14 HUB BOLTS, INCL.POS 50,51,55,104
POUR MOYEU A BOULON MOYEU INCL POS. 50,51,55,104
FUR NABE MIT M14 NABENBOLZEN INCL.POS.50,51, 55,104
PARA CUBO CON PERNOS M14 INCL POS. 50,51,55,104

[D] OPTIONAL EQUIPMENT
EQUIPEMENTS ACCESSOIRES
SONDERZUBEHOR
EQUIP. ADITAMENTO



D-ZABE-001-A

1	D28282879	[AC] CPL.	1	TRAILER	REMORQUE	ANHAENGER	REMOLQUE
1*	D28284430	[ACD] CPL.	1	TRAILER	REMORQUE	ANHAENGER	REMOLQUE
2	D28282725	→	1	PIPE	TUYAU	TUBE	TUBO
2*	D28282993	[D] →	1	PIPE	TUYAU	TUBE	TUBO
3	D45000268		8	SIDE LAMP	FEU LATERAL	POSITIONSLEUCHE	LUZ DE COSTADO
4	D28282870		2	BRACKET	SUPPORT FIXATION	HALTEAM	SOPORTE
5	D28282871		2	PLATE	PLAQUE	PLATTE	PLATO
6	D40437800		1	SCREW	VIS	SCHRAUBE	TORNILLO
7	D20400438		18	WASHER	RONDELLE	SCHEIBE	ARANDELA
8	D28282789		1	BRACKET	SUPPORT FIXATION	HALTEAM	SOPORTE
9	D20400438		18	WASHER	RONDELLE	SCHEIBE	ARANDELA
10	D41088100		9	LOCKNUT	ECROU FREIN	SICHERUNGSMUTTER	CONTRATUERCA
11	D28282449		1	BRACKET	SUPPORT FIXATION	HALTEAM	SOPORTE
12	D28282885		1	SHAFT	ARBRE	WELLE	ARBOL
13	D28282390		2	STAY	HAUBAN	STREBE	TIRANTE
14	D46745603		1	BRAKE	FREIN	BREMSE	FRENO
15	D28282892		1	DRAWBAR	BARRE ATTELAGE	ZUGPENDEL	BARRA D'ENGANCHE
16	D28282887		1	PIPE	TUYAU	TUBE	TUBO
16*	D28284419	[D] →	1	PIPE	TUYAU	TUBE	TUBO
17	D20400439		1	WASHER	RONDELLE	SCHEIBE	ARANDELA
18	D28282470		1	WHEEL	ROUE	RAD	RUEDA
19	D42618900		1	PIN	GOUPILLE	STIFT	PASADOR
20	D46745608		2	CABLE	CABLE	KABEL	CABLE
21	D46745607		2	CABLE	CABLE	KABEL	CABLE
22	D28282867		2	PIPE	TUYAU	TUBE	TUBO
23	D28282881	▲	1	SUPPORT	SUPPORT	TRAGER	SOPORTE
23	D28282884	▼	1	SUPPORT	SUPPORT	TRAGER	SOPORTE
23*	D28282986	[D] ▲ ▼ →	1	SUPPORT	SUPPORT	TRAGER	SOPORTE
23*	D28282988	[D] →	1	SUPPORT	SUPPORT	TRAGER	SOPORTE
24	D46745601	▲	1	BRAKE	FREIN	BREMSE	FRENO
24	D46745606	▼	1	BRAKE	FREIN	BREMSE	FRENO
25	D45083900	▲	4	REFLECTOR	CATADIOPTRE	RUECKSTRAHLER	LUZ REFRACTANTE
26	D28284450	▼	4	WHEEL RIM	JANTE	FELGE	LLANTA
27	D46734701	▲	4	TYRE	PNEU	REIFEN	NEUMATICO
28	D46745604	CPL.	4	WHEEL	ROUE	RAD	RUEDA
29	D28282807		2	WASHER	RONDELLE	SCHEIBE	ARANDELA
30	D28282398		1	SUPPORT	SUPPORT	TRAGER	SOPORTE
31	D28282720		2	BRACKET	SUPPORT FIXATION	HALTEAM	SOPORTE
32	D28282783		2	PLATE	PLAQUE	PLATTE	PLATO
33	D20400462		8	WASHER	RONDELLE	SCHEIBE	ARANDELA
34	D41087900		8	LOCKNUT	ECROU FREIN	SICHERUNGSMUTTER	CONTRATUERCA
35	D28283693		2	BOLT	BOULON	BOLZEN	BULON
36	D28282865		2	SUPPORT	SUPPORT	TRAGER	SOPORTE
36*	D28282967	[D] →	2	SUPPORT	SUPPORT	TRAGER	SOPORTE
37	D40411000		8	HEX. SOCK. SCREW	VIS TETE HEX	ZYLINDERSCHRAUBE	TORN.CAB.HUECA
38	D20400473		X	WASHER	RONDELLE	SCHEIBE	ARANDELA
39	1440329X1	● D41087600	X	LOCKNUT	ECROU FREIN	SICHERUNGSMUTTER	CONTRATUERCA
40	D28282730		2	SUPPORT	SUPPORT	TRAGER	SOPORTE
41	D40437501		6	SCREW	VIS	SCHRAUBE	TORNILLO
42	D41088100		9	LOCKNUT	ECROU FREIN	SICHERUNGSMUTTER	CONTRATUERCA
43	D28282728		2	BRACKET	SUPPORT FIXATION	HALTEAM	SOPORTE
43*	D28282963	[D] →	2	BRACKET	SUPPORT FIXATION	HALTEAM	SOPORTE
45	D45084500		1	REFLECTOR	CATADIOPTRE	RUECKSTRAHLER	LUZ REFRACTANTE
46	D28282782		2	SPINDLE	FUSEE	DREHZAPFEN	PIVOTE DE VOLTEO
47	D28282872		1	BRACKET	SUPPORT FIXATION	HALTEAM	SOPORTE
48	D28282746		2	BOLT	BOULON	BOLZEN	BULON
49	D20400426	[A] ○ 13/24X2.5	16	WASHER	RONDELLE	SCHEIBE	ARANDELA
50	D28282816	▲ FRONT	1	ARM	BRAS	SCHARHEBEL	BRAZO
50	D28282817	▼ FRONT	1	ARM	BRAS	SCHARHEBEL	BRAZO
51	D28282793	▲ REAR	1	BRACKET	SUPPORT FIXATION	HALTEAM	SOPORTE
51	D28282795	▼ REAR	1	BRACKET	SUPPORT FIXATION	HALTEAM	SOPORTE
52	D45077100	▲	1	LH REAR LAMP	FEU AR GAUCHE	RUECKLEUCHE LI	LUZ DE COLA LI
52	D45077300	▼	1	RH REAR LAMP	FEU AR DROIT	RUECKLEUCHE RE	LUZ DE COLA LD
53	D45084600		8	REFLECTOR	CATADIOPTRE	RUECKSTRAHLER	LUZ REFRACTANTE
54	D49160400	20KM	1	DECAL	DECALCOMANIE	AUFKLEBER	CALCOMANIA
55	D28282780		X	BOLT	BOULON	BOLZEN	BULON
56	D45907200		X	SHOE	SABOT	SCHUH	ZAPATA
57	621235M1		4	BULB 12V 21W	AMPOULE 12V 21W	GLUEHL 12V21W	BOMB 12V 21W
58	3002706X1		2	BULB 12V 10W	AMPOULE 12V 10W	GLUEHL 12V 10W	BOMBILLA 12V 10W
59	D28185545		1	COMP.SPRING	RESSORT DE COMPR	DRUCKFEDER	RESORTE DE COMP.
60	D28282820		2	BRACKET	SUPPORT FIXATION	HALTEAM	SOPORTE



D-ZABE-001-A

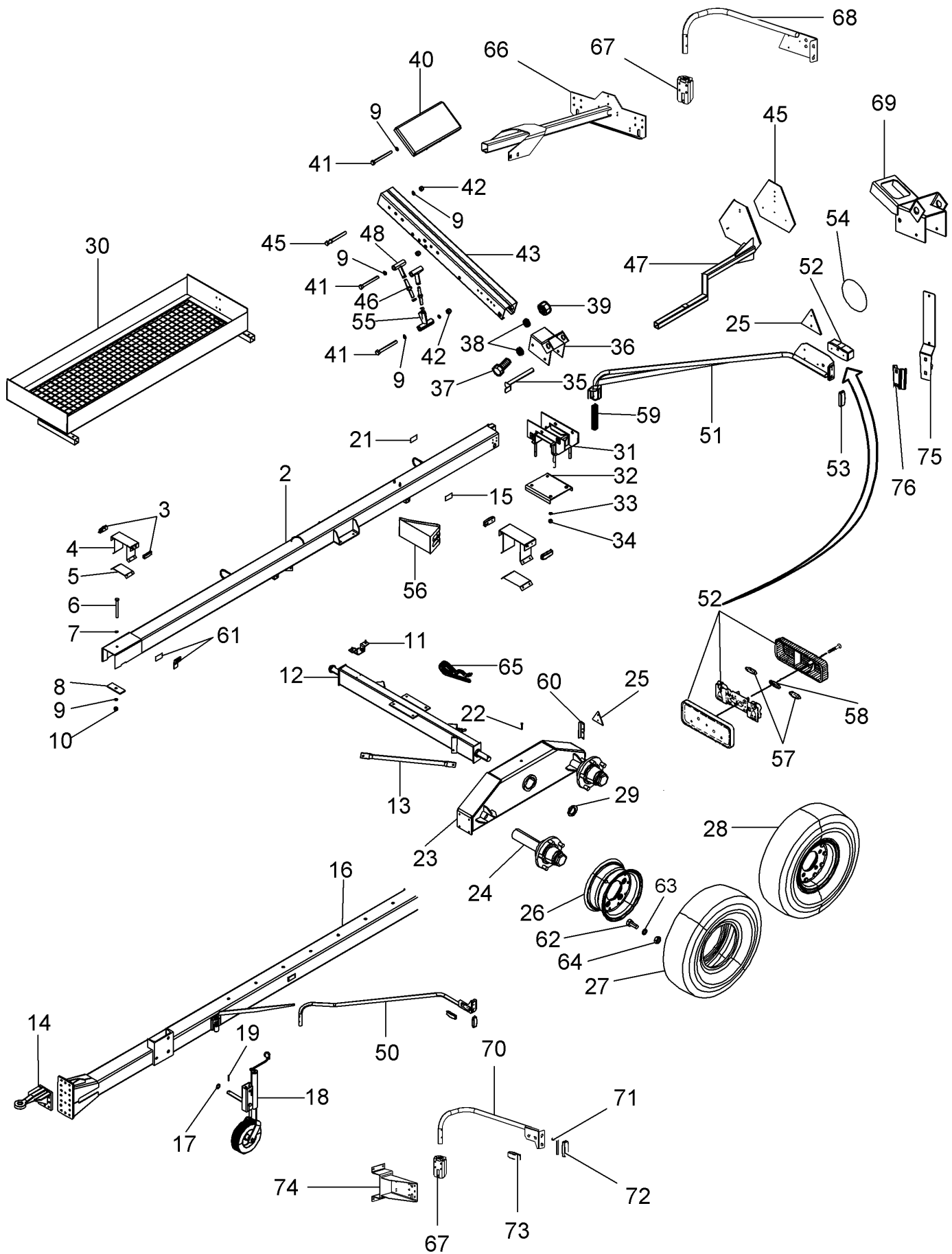
61	[B]	X	DECAL	DECALCOMANIE	AUFKLEBER	CALCOMANIA
62 D49100161	[A]	2	DECAL	DECALCOMANIE	AUFKLEBER	CALCOMANIA
63	[B]	X	DECAL	DECALCOMANIE	AUFKLEBER	CALCOMANIA
64	[B]	X	DECAL	DECALCOMANIE	AUFKLEBER	CALCOMANIA
65*D27100120		1	HAIR PIN	EPINGLE	SICHERUNGSFEDER	RETENEDOR ELAST
66*D28282948	[D]	1	BRACKET	SUPPORT FIXATION	HALTEARM	SOPORTE
	↕					
67*D28282895	[D]	1	BRACKET	SUPPORT FIXATION	HALTEARM	SOPORTE
	↕					
68*D28282954	[D]	1	BRACKET	SUPPORT FIXATION	HALTEARM	SOPORTE
	↕					
68*D28282956	[D]	1	BRACKET	SUPPORT FIXATION	HALTEARM	SOPORTE
	↕					
69*D28282967	[D]	1	SUPPORT	SUPPORT	TRAGER	SOPORTE
	↕					
70*D28282974	[D]	1	BRACKET	SUPPORT FIXATION	HALTEARM	SOPORTE
	↕					
70*D28282972	[D]	1	BRACKET	SUPPORT FIXATION	HALTEARM	SOPORTE
	↕					
71*D44735900	[D]	1	SEAL SECTION	PROFIL ETANCH	DICHTPROFIL	PARTE DE RETEN
	↕					
72*D45000268	[D]	1	SIDE LAMP	FEU LATERAL	POSITIONSLEUCHTE	LUZ DE COSTADO
	↕					
73*D45080005	[D]	1	HEAD LIGHT	PHARE	SCHEINWERFER	FARO
	↕					
74*D28282976	[D]	1	SUPPORT	SUPPORT	TRAGER	SOPORTE
	↕					
75*D28284429	[D]	1	PLATE	PLAQUE	PLATTE	PLATO
	↕					
76*D45084501	[D]	1	PLATE	PLAQUE	PLATTE	PLATO
	↕					
77*D45084502	[D]	1	PLATE	PLAQUE	PLATTE	PLATO
	↕					

[A] NOT ILLUSTRATED
NON ILLUSTRE
NICHT ILLUSTRIRT
NO ILUSTRADO

[B] NOT SUPPLIED
NON SERVI
NICHT GEDIENT
NO SERVIDO

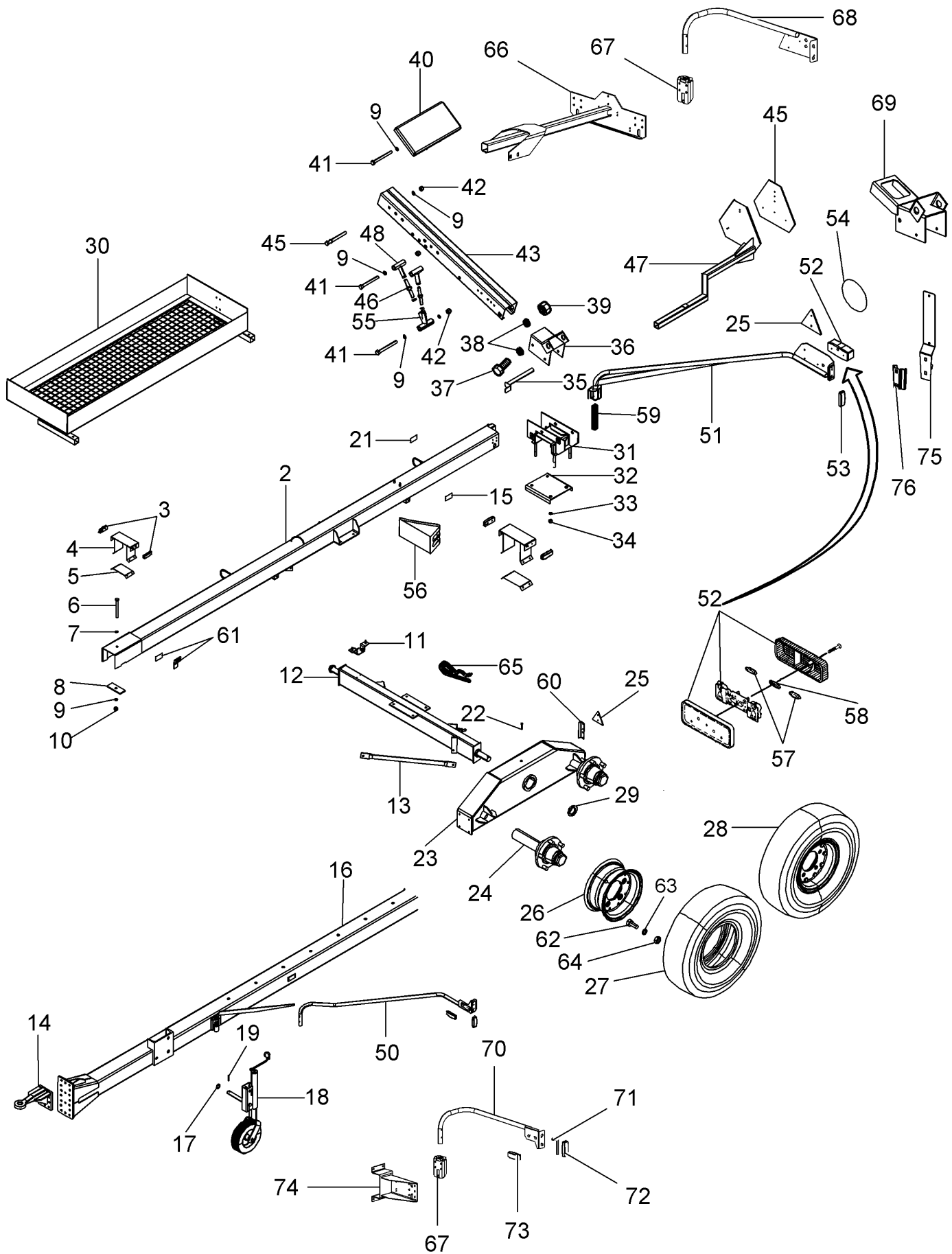
[C] WITH TRAILOR BRAKING
AVEC FREINAGE DE REMORQUE
MIT ANHAENGERBREMSUNG
CON TRAILOR BRAKING

[D] YEAR 2007
ANNEE 2007
JAHR 2007
ANO 2007



D-ZABD-001-A

1*D28282837	[CA] CPL.	1 TRAILER	REMORQUE	ANHAENGER	REMOLQUE
1*D28282995	[CA] ➔ 2007	1 TRAILER	REMORQUE	ANHAENGER	REMOLQUE
2 D28282725		1 PIPE	TUYAU	TUBE	TUBO
2*D28282993	➔ 2007	1 PIPE	TUYAU	TUBE	TUBO
3 D45000268		8 SIDE LAMP	FEU LATERAL	POSITIONSLEUCHTE	LUZ DE COSTADO
4 D28282870		2 BRACKET	SUPPORT FIXATION	HALTEAM	SOPORTE
5 D28282871		2 PLATE	PLAQUE	PLATTE	PLATO
6 D40437800		1 SCREW	VIS	SCHRAUBE	TORNILLO
7 D20400438		18 WASHER	RONDELLE	SCHEIBE	ARANDELA
8 D28282789		1 BRACKET	SUPPORT FIXATION	HALTEAM	SOPORTE
9 D20400438		18 WASHER	RONDELLE	SCHEIBE	ARANDELA
10 D41088100		9 LOCKNUT	ECROU FREIN	SICHERUNGSMUTTER	CONTRATUERCA
11 D28282449		1 BRACKET	SUPPORT FIXATION	HALTEAM	SOPORTE
12 D28282885		1 SHAFT	ARBRE	WELLE	ARBOL
12*D28282936	➔ 2177	1 SHAFT	ARBRE	WELLE	ARBOL
13 D28282390		2 STAY	HAUBAN	STREBE	TIRANTE
14 D28282896		1 DRAWBAR	BARRE ATTELAGE	ZUGPENDEL	BARRA D'ENGANCHE
15	[B]	X DECAL	DECALCOMANIE	AUFKLEBER	CALCOMANIA
16 D28282785		1 PIPE	TUYAU	TUBE	TUBO
16*D28282994	➔ 2007	1 PIPE	TUYAU	TUBE	TUBO
17 D20400439		1 WASHER	RONDELLE	SCHEIBE	ARANDELA
18 D28282470		1 WHEEL	ROUE	RAD	RUEDA
19 D42618900		1 PIN	GOUPILLE	STIFT	PASADOR
20 D49100161	[A]	2 DECAL	DECALCOMANIE	AUFKLEBER	CALCOMANIA
21	[B]	X DECAL	DECALCOMANIE	AUFKLEBER	CALCOMANIA
22 D28282867		2 PIPE	TUYAU	TUBE	TUBO
23 D28282866		1 SUPPORT	SUPPORT	TRAGER	SOPORTE
23*D28282937	➔ 2177	1 SUPPORT	SUPPORT	TRAGER	SOPORTE
23*D28282960	➔ 2007	1 SUPPORT	SUPPORT	TRAGER	SOPORTE
23*D28282962	➔ 2007	1 SUPPORT	SUPPORT	TRAGER	SOPORTE
24 D46745600		1 HUB	MOYEU	NABE	CUBO
25 D45083900		4 REFLECTOR	CATADIOPTRE	RUECKSTRAHLER	LUZ REFRACTANTE
26 D28284450		4 WHEEL RIM	JANTE	FELGE	LLANTA
26*D46745612	➔ 2007	4 WHEEL RIM	JANTE	FELGE	LLANTA
27 D46734700		4 TYRE	PNEU	REIFEN	NEUMATICO
27*D46745613	➔ 2007	4 TYRE	PNEU	REIFEN	NEUMATICO
28 D28284451	CPL.	4 WHEEL	ROUE	RAD	RUEDA
28*D46745611	➔ 2007	4 WHEEL	ROUE	RAD	RUEDA
29 D28282807		2 WASHER	RONDELLE	SCHEIBE	ARANDELA
29*D28282943	➔ 2177	2 WASHER	RONDELLE	SCHEIBE	ARANDELA
30 D28282398		1 SUPPORT	SUPPORT	TRAGER	SOPORTE
31 D28282720		2 BRACKET	SUPPORT FIXATION	HALTEAM	SOPORTE
32 D28282783		2 PLATE	PLAQUE	PLATTE	PLATO
33 D20400462		8 WASHER	RONDELLE	SCHEIBE	ARANDELA
34 D41087900		8 LOCKNUT	ECROU FREIN	SICHERUNGSMUTTER	CONTRATUERCA
35 D28283693		2 BOLT	BOULON	BOLZEN	BULON
36 D28282865		2 SUPPORT	SUPPORT	TRAGER	SOPORTE
36*D28282967	➔ 2007	2 SUPPORT	SUPPORT	TRAGER	SOPORTE
37 D40411000		8 HEX. SOCK. SCREW	VIS TETE HEX	ZYLINDERSCHRAUBE	TORN.CAB.HUECA
38 D20400473		X WASHER	RONDELLE	SCHEIBE	ARANDELA
39 1440329X1	● D41087600	X LOCKNUT	ECROU FREIN	SICHERUNGSMUTTER	CONTRATUERCA
40 D28282730		2 SUPPORT	SUPPORT	TRAGER	SOPORTE
41 D40437501		6 SCREW	VIS	SCHRAUBE	TORNILLO
42 D41088100		9 LOCKNUT	ECROU FREIN	SICHERUNGSMUTTER	CONTRATUERCA
43 D28282728		2 BRACKET	SUPPORT FIXATION	HALTEAM	SOPORTE
43*D28282963	➔ 2007	2 BRACKET	SUPPORT FIXATION	HALTEAM	SOPORTE
45 D45084500		1 REFLECTOR	CATADIOPTRE	RUECKSTRAHLER	LUZ REFRACTANTE
46 D28282782		2 SPINDLE	FUSEE	DREHZAPFEN	PIVOTE DE VOLTEO
47 D28282872		1 BRACKET	SUPPORT FIXATION	HALTEAM	SOPORTE
48 D28282746		2 BOLT	BOULON	BOLZEN	BULON
49 D20400426	[A] ⊙ 13/24X2.5	16 WASHER	RONDELLE	SCHEIBE	ARANDELA
50 D28282816	▲ FRONT	1 ARM	BRAS	SCHARHEBEL	BRAZO
50 D28282817	▲ FRONT	1 ARM	BRAS	SCHARHEBEL	BRAZO
51 D28282793	▲ REAR	1 BRACKET	SUPPORT FIXATION	HALTEAM	SOPORTE
51 D28282795	▲ REAR	1 BRACKET	SUPPORT FIXATION	HALTEAM	SOPORTE
52 D45077100	▲	1 LH REAR LAMP	FEU AR GAUCHE	RUECKLEUCHTE LI	LUZ DE COLA LI
52 D45077300	▲	1 RH REAR LAMP	FEU AR DROIT	RUECKLEUCHTE RE	LUZ DE COLA LD
53 D45084600		8 REFLECTOR	CATADIOPTRE	RUECKSTRAHLER	LUZ REFRACTANTE
54 D49160400	20KM	1 DECAL	DECALCOMANIE	AUFKLEBER	CALCOMANIA
55 D28282780		X BOLT	BOULON	BOLZEN	BULON
56 D45907200		X SHOE	SABOT	SCHUH	ZAPATA
57 621235M1		4 BULB 12V 21W	AMPOULE 12V 21W	GLUEHL 12V21W	BOMB 12V 21W
58 3002706X1		2 BULB 12V 10W	AMPOULE 12V 10W	GLUEHL 12V 10W	BOMBILLA 12V 10W
59 D28185545		1 COMP.SPRING	RESSORT DE COMPR	DRUCKFEDER	RESORTE DE COMP.
60 D28282820		2 BRACKET	SUPPORT FIXATION	HALTEAM	SOPORTE
61	[B]	X DECAL	DECALCOMANIE	AUFKLEBER	CALCOMANIA
62 D40407700		X HEX. SOCK. SCREW	VIS TETE HEX	ZYLINDERSCHRAUBE	TORN.CAB.HUECA
63 D20400503		X WASHER	RONDELLE	SCHEIBE	ARANDELA



D-ZABD-001-A

64 D41010800		X NUT	ECROU	MUTTER	TUERCA
65*D27100120		1 HAIR PIN	EPINGLE	SICHERUNGSFEDER	RETENEDOR ELAST
66*D28282948	➡ 2007	1 BRACKET	SUPPORT FIXATION	HALTEARM	SOPORTE
67*D28282895	➡ 2007	1 BRACKET	SUPPORT FIXATION	HALTEARM	SOPORTE
68*D28282954	➡ 2007	1 BRACKET	SUPPORT FIXATION	HALTEARM	SOPORTE
68*D28282956	➡ 2007	1 BRACKET	SUPPORT FIXATION	HALTEARM	SOPORTE
69*D28282967	➡ 2007	1 SUPPORT	SUPPORT	TRAGER	SOPORTE
70*D28282974	➡ 2007	1 BRACKET	SUPPORT FIXATION	HALTEARM	SOPORTE
70*D28282972	➡ 2007	1 BRACKET	SUPPORT FIXATION	HALTEARM	SOPORTE
71*D44735900	➡ 2007	1 SEAL SECTION	PROFIL ETANCH	DICHTPROFIL	PARTE DE RETEN
72*D45000268	➡ 2007	1 SIDE LAMP	FEU LATERAL	POSITIONSLEUCHTE	LUZ DE COSTADO
73*D45080005	➡ 2007	1 HEAD LIGHT	PHARE	SCHEINWERFER	FARO
74*D28282976	➡ 2007	1 SUPPORT	SUPPORT	TRAGER	SOPORTE
75*D45084501	➡ 2007	1 PLATE	PLAQUE	PLATTE	PLATO
76*D45084502	➡ 2007	1 PLATE	PLAQUE	PLATTE	PLATO

[A] NOT ILLUSTRATED
NON ILLUSTRE
NICHT ILLUSTRIRT
NO ILUSTRADO

[B] NOT SUPPLIED
NON SERVI
NICHT GEDIENT
NO SERVIDO

[C] WITHOUT TRAILER BRAKING
SANS FREINAGE DE REMORQUE
OHNE ANHAENGERBREMSE
SIN FRENO DE REMOLQUE

1	D28285744		X	BAR	BARRE	STAB	BARRA
2	D45083900		2	REFLECTOR	CATADIOPTRE	RUECKSTRAHLER	LUZ REFRACTANTE
3	D20400400		6	WASHER	RONDELLE	SCHEIBE	ARANDELA
4	D41010500		10	NUT	ECROU	MUTTER	TUERCA
5	D45077100	◀	1	LH REAR LAMP	FEU AR GAUCHE	RUECKLEUCHTE LI	LUZ DE COLA LI
6	D45077300	▶	1	RH REAR LAMP	FEU AR DROIT	RUECKLEUCHTE RE	LUZ DE COLA LD
7	621235M1		4	BULB 12V 21W	AMPOULE 12V 21W	GLUEHL 12V21W	BOMB 12V 21W
8	3002706X1		2	BULB 12V 10W	AMPOULE 12V 10W	GLUEHL 12V 10W	BOMBILLA 12V 10W
9	D45080900		2	BULB	AMPOULE	GLUEHLAMPE	BOMBILLA
10	D45085500		2	HEAD LIGHT	PHARE	SCHEINWERFER	FARO
11	390958X1	M5 X 16	8	SCREW	VIS	SCHRAUBE	TORNILLO
12	D45084500		1	REFLECTOR	CATADIOPTRE	RUECKSTRAHLER	LUZ REFRACTANTE
13	D28285152		1	SUPPORT	SUPPORT	TRAGER	SOPORTE
14	D28251559		1	SUPPORT	SUPPORT	TRAGER	SOPORTE
15	3001162X1	M4 X 16	3	SCREW	VIS	SCHRAUBE	TORNILLO
16	D41010400		3	NUT	ECROU	MUTTER	TUERCA
17	339560X1	M6 X 16	3	HEX. SOCK. SCREW	VIS TETE HEX	ZYLINDERSCHRAUBE	TORN.CAB.HUECA
18	D20400453		3	WASHER	RONDELLE	SCHEIBE	ARANDELA
19	1441462X1	M6	3	LOCKNUT	ECROU FREIN	SICHERUNGSMUTTER	CONTRATUERCA
20	D43427500		2	PIN	GOUPILLE	STIFT	PASADOR
21	1440988X1		2	SNAPRING	SEGMENT ARRET	SPRENGRING	ANILLA RETENCION
22	D45005300		1	ELECTRIC SOCKET	PRISE ELEC FEMEL	STECKDOSE	TOMACORRIENTE F
23	D45005200		2	ELECTRIC SOCKET	PRISE ELEC FEMEL	STECKDOSE	TOMACORRIENTE F
25	D40351600		3	SCREW METRIC	VIS METRIQUE	SCHRAUBE METR	TORNILLO METRICO
26	D20400400		3	WASHER	RONDELLE	SCHEIBE	ARANDELA
27	1441462X1	M6	1	LOCKNUT	ECROU FREIN	SICHERUNGSMUTTER	CONTRATUERCA
28	D45729400		1	CLAMP	COLLIER	HALTESCHELLE	ABRAZADERA
29	D20400404		4	WASHER	RONDELLE	SCHEIBE	ARANDELA
30	D45084600		2	REFLECTOR	CATADIOPTRE	RUECKSTRAHLER	LUZ REFRACTANTE
31	1442190X1	M12	1	LOCKNUT	ECROU FREIN	SICHERUNGSMUTTER	CONTRATUERCA
32	D20400426		1	WASHER	RONDELLE	SCHEIBE	ARANDELA
33	391885X1	M12 X 90	1	HEX. SOCK. SCREW	VIS TETE HEX	ZYLINDERSCHRAUBE	TORN.CAB.HUECA
34	D28781903		1	CONNECTOR	BORNE.	DOPPELNIPPEL	CONECTOR
35	339804X1	M6 X 25	2	HEX. SOCK. SCREW	VIS TETE HEX	ZYLINDERSCHRAUBE	TORN.CAB.HUECA

1	1440475X1		1	CIRCLIP	CIRCLIP	SEEGERING	GRAPA CIRCULAR
2	D20400441		X	WASHER	RONDELLE	SCHEIBE	ARANDELA
3	D28284090		1	BRACKET	SUPPORT FIXATION	HALTEARM	SOPORTE
4	391057X1		4	BEAR. 6004 2RS	RLT 6004 2RS	LAGER 6004 2RS	RODA. 6004 2RS
5	D28284087		1	CRANK	MANIVELLE	KURBEL	MANIVELA
6	D28284289		1	CONROD	BIELLE	PLEUJEL	BIELA
7	D43100900		1	KEY	CLAVETTE	STELLKEIL	CHAVETA
8	D28284084		1	CRANK	MANIVELLE	KURBEL	MANIVELA
9	339071X1	⊙ 6 X 30	1	PIN	GOUPILLE	STIFT	PASADOR
10	D28284291		1	KNIFE	COUTEAU	MESSER	CUCHILLA
11	D28284292		1	BEARING SHELL	CAGE ROULEMENT	LAGERSCHALE	CASQ.COJINETE
12	D28284069		1	HUB	MOYEU	NABE	CUBO
13	D28284081		1	GEAR	ENGRENAGE	ZAHNRAD	ENGRANAJE
14	D28284090		1	BRACKET	SUPPORT FIXATION	HALTEARM	SOPORTE
15	D28284111		1	NUT	ECROU	MUTTER	TUERCA
16	D28284080		1	PINION	PIGNON	RITZEL	PINON
17	D45070083		1	ELECTRIC MOTOR	MOTEUR ELECTRIC	ELEKTROMOTOR	MOTOR ELECTRICO
18	D40688000		3	SCREW	VIS	SCHRAUBE	TORNILLO
19	D41010600	M6	3	NUT	ECROU	MUTTER	TUERCA
20	339019X1	M10 X 50	4	HEX. SOCK. SCREW	VIS TETE HEX	ZYLINDERSCHRAUBE	TORN.CAB.HUECA
21	D20400471		8	WASHER	RONDELLE	SCHEIBE	ARANDELA
22	339402X1	M10	4	NUT SPECIAL	ECROU SPECIAL	SPEZIALMUTTER	TUERCA ESPECIAL
24	339079X1	M14	2	NUT	ECROU	MUTTER	TUERCA
25	D45905200		2	FORK HEAD	TETE DE FOURCHE	GABELKOPF	CABEZA HORQUILLA
26	D28284094		8	CLIP	PATTE D'ATTACHE	SHELLE	CLIP
27	D20400500		X	SPACER	ENTRETOISE	ABSTANDSTUECK	DISCO ESPACIADOR
28	D20400506		32	WASHER	RONDELLE	SCHEIBE	ARANDELA
29	339010X1	M8 X 40	16	HEX. SOCK. SCREW	VIS TETE HEX	ZYLINDERSCHRAUBE	TORN.CAB.HUECA
30	394367X1	M8	16	NUT	ECROU	MUTTER	TUERCA
31	D28284060		1	KNIFE	COUTEAU	MESSER	CUCHILLA
31	D28284105	31	1	KNIFE BACK	BARRE DE COUPE	MESSERRUECKEN	DORSO CUCHILLA
32	D44104100	31	17	KNIFE	COUTEAU	MESSER	CUCHILLA
33	D41314900	31	34	RIVET	RIVET	NIET	REMACHE
34	D43360800	31	1	BUSH	BAGUE	RING	CASQUILLO
35	D28284061		1	KNIFE	COUTEAU	MESSER	CUCHILLA
35	D28284104	35	1	KNIFE BACK	BARRE DE COUPE	MESSERRUECKEN	DORSO CUCHILLA
36	D44104100	35	17	KNIFE	COUTEAU	MESSER	CUCHILLA
37	D41314900	35	34	RIVET	RIVET	NIET	REMACHE
38	D43360800	35	1	BUSH	BAGUE	RING	CASQUILLO
39	D28284124		1	GUARD	GARDE	SCHUTZVORR	DEFENSA
40	D26500317		2	SPRING	RESSORT	FEDER	MUELLE
41	D28284125		2	RETAINER	RETENEUR	HALTERING	RETENEDOR
42	D28285169	[B]	1	BRACKET	SUPPORT FIXATION	HALTEARM	SOPORTE
43	D28285168	[A]	1	BRACKET	SUPPORT FIXATION	HALTEARM	SOPORTE
44	D28285187	[B]	1	GUARD	GARDE	SCHUTZVORR	DEFENSA
45	D28285189	[A]	1	GUARD	GARDE	SCHUTZVORR	DEFENSA
48	D28284107		1	DEFLECTOR	DEFLECTEUR	ABWEISBLECH	DEFLECTOR
49	D45904800		2	PIN	GOUPILLE	STIFT	PASADOR
50	D40422400		X	SCREW	VIS	SCHRAUBE	TORNILLO
51	D40422300	M6 X 55	X	HEX. SOCK. SCREW	VIS TETE HEX	ZYLINDERSCHRAUBE	TORN.CAB.HUECA
52	1441462X1	M6	X	LOCKNUT	ECROU FREIN	SICHERUNGSMUTTER	CONTRATUERCA
53	D20400419		2	WASHER	RONDELLE	SCHEIBE	ARANDELA
54	3009495X1	M10 X 40	1	HEX. SOCK. SCREW	VIS TETE HEX	ZYLINDERSCHRAUBE	TORN.CAB.HUECA
55	1440329X1	M10	1	LOCKNUT	ECROU FREIN	SICHERUNGSMUTTER	CONTRATUERCA
56	D28286051		1	BRACKET	SUPPORT FIXATION	HALTEARM	SOPORTE
57	339814X1	M10 X 35	4	HEX. SOCK. SCREW	VIS TETE HEX	ZYLINDERSCHRAUBE	TORN.CAB.HUECA
58	D20400507		8	SPACER	ENTRETOISE	ABSTANDSTUECK	DISCO ESPACIADOR
59	1440329X1	M10	4	LOCKNUT	ECROU FREIN	SICHERUNGSMUTTER	CONTRATUERCA
60	D28285185	▶	1	ARM	BRAS	SCHARHEBEL	BRAZO
60	D28285162	◀	1	ARM	BRAS	SCHARHEBEL	BRAZO
61	D20400537		2	SPACER	ENTRETOISE	ABSTANDSTUECK	DISCO ESPACIADOR
62	1442190X1	M12	2	LOCKNUT	ECROU FREIN	SICHERUNGSMUTTER	CONTRATUERCA
63	D28285165		2	SPRING	RESSORT	FEDER	MUELLE
64	D45750300		1	FERRULE	VIROLE	ZWINGE	MANGTO METALICO
65*	D28284269		1	KNIFE	COUTEAU	MESSER	CUCHILLA

[A] OPTIONAL EQUIPMENT ELECTRIC - VERTICAL KNIFE LEFT
ACCESSOIRE, LAME VERTICALE A COMMANDE ELEC, GAUCHE
SONDERAUSR STUN ELEKTRISCHES TRENNMESSER, LINKS
EQUIPO OPTIONAL,CUCHILLA VERT. ELECTRICA L.I

[B] OPTIONAL EQUIPMENT ELECTRIC VERTICAL KNIFE RIGHT
ACCESSOIRE, LAME VERTICALE A COMMANDE ELEC, DROITE
SONDERAUSR STUN ELEKTRISCHES TRENNMESSER, RECHTS
EQUIPO OPTIONAL, CUCHILLA VERT. ELECTRICA L.D

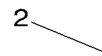
Ved skift af kniv, skal man sikre sig at knivbladene ligger an mod fingrenes skæreflader uden at presse mod disse.

When changing knife, please ensure that the blades are in contact with the fingers without pressing against them.

Beim Wechsel der Messern müssen die Klingen dicht an den Fingern liegen, ohne sie zu pressen.

En changeant le couteau, faire attention que la section soit en contact avec la surface du doigt sans appuyer sur celui-ci.

49158800



10	
12	
14	
16	
18	
20	
22	
26	

49143100

Ved ændring af tromlehastighed skal fjederstramhed på tromlekobling justeres.

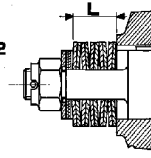
When changing table auger revolutions adjust the spring tension of the table auger clutch.

Bei Änderung der Einzugschneckenumdrehungen die Federspannung der Einzugschneckenkupplung einstellen.

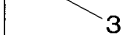
En Changeant la vitesse de rotation de la vis d'alimentation ajuster la tension du ressort de l'embrayage de la vis d'alimentation.

High Speed: $L = 28,5 \pm 0,2$

Low Speed: $L = 26 \pm 0,2$



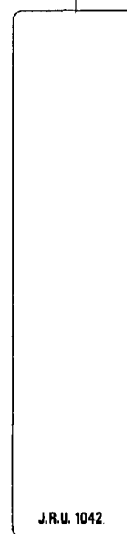
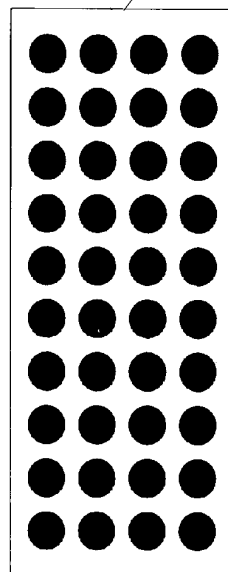
49100137



Al cambiar la cuchilla, asegurarse de que las hojas estén en contacto con los dedos pero sin apretarse contra ellos.

Cambiando la lama fare attenzione la lama sia a contatto con la superficie del dente senza però appoggiarsi sopra.

49100192

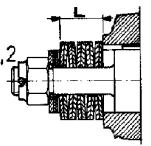


Al cambiar la velocidad del sinfin de cabezal ajustar la tensión del embrague del sinfin de cabezal.

Al cambiamento della velocità di rotazione della coclea regolare la tensione della molla della frizione della coclea.

Velocidad alta $L = 28,5 \pm 0,2$

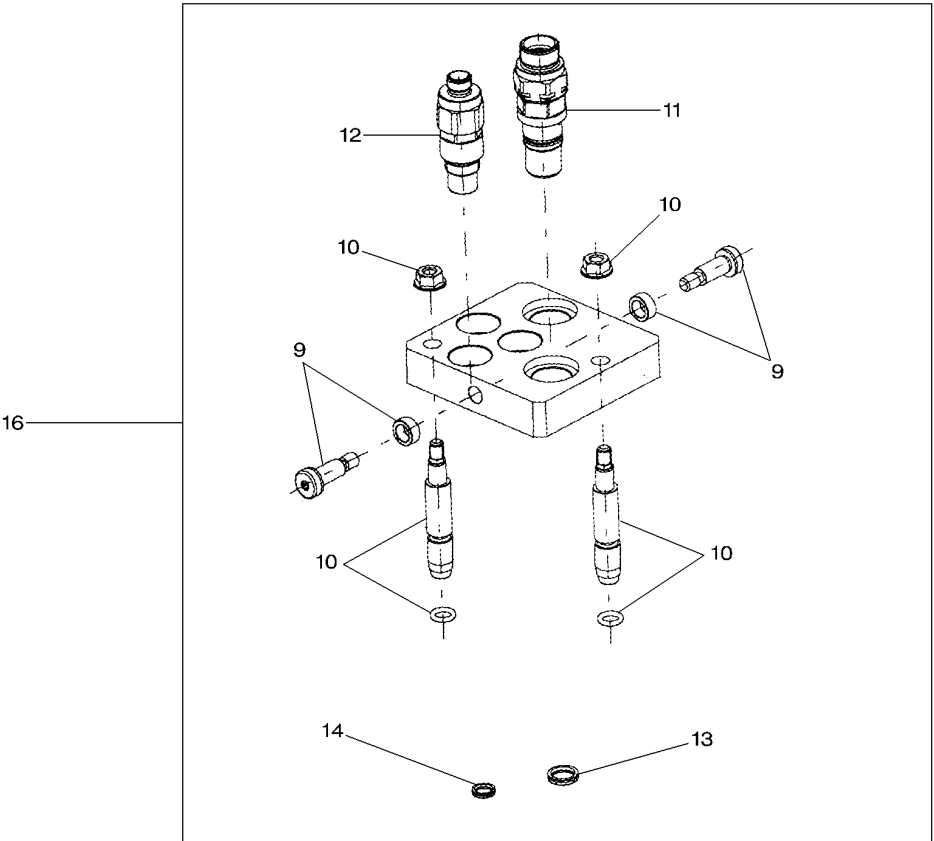
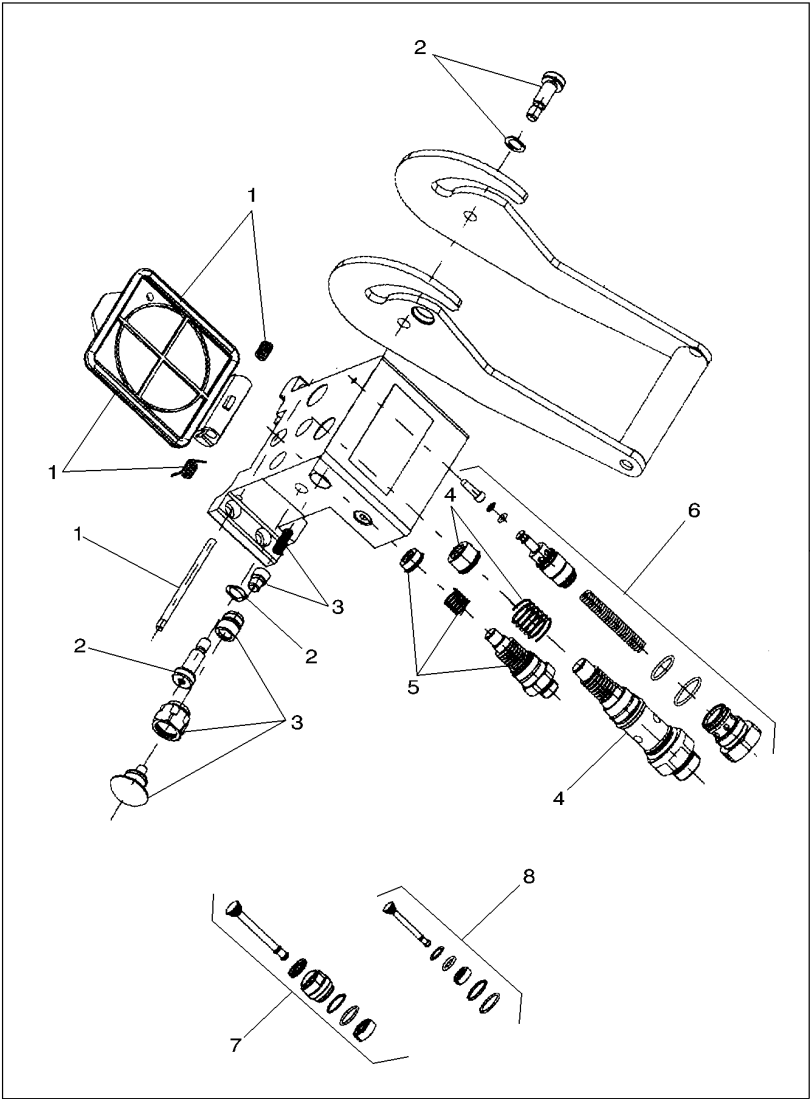
Velocidad baja $L = 26 \pm 0,2$



49100195

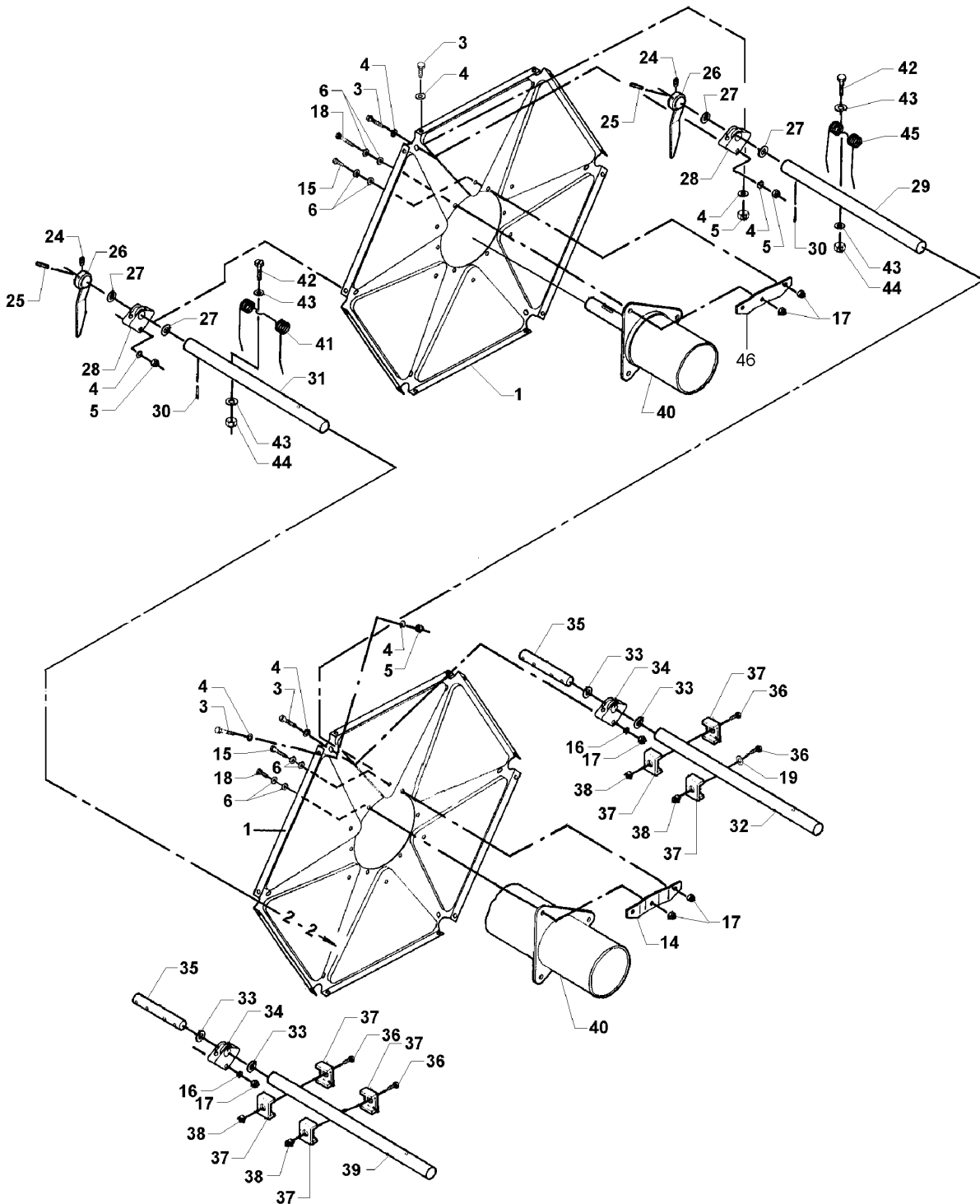


1	D49158800		1	DECAL	DECALCOMANIE	AUFKLEBER	CALCOMANIA
2	D49143100		1	TRANSFER	AUTO COLLANT	ABZIEHBILD	CROMO
3	D49100137		1	DECAL	DECALCOMANIE	AUFKLEBER	CALCOMANIA
4	D49100192		1	DECAL	DECALCOMANIE	AUFKLEBER	CALCOMANIA
5	D49100195		1	DECAL	DECALCOMANIE	AUFKLEBER	CALCOMANIA
6	D49178500	[A]	40	DECAL	DECALCOMANIE	AUFKLEBER	CALCOMANIA
6	D49178600	[B]	40	DECAL	DECALCOMANIE	AUFKLEBER	CALCOMANIA
6	D49178700	[C]	40	DECAL	DECALCOMANIE	AUFKLEBER	CALCOMANIA
6	D49178800	[D]	40	DECAL	DECALCOMANIE	AUFKLEBER	CALCOMANIA
7	D49138600	[A]	1	TRANSFER	AUTO COLLANT	ABZIEHBILD	CROMO
7	D49138700	[D]	1	TRANSFER	AUTO COLLANT	ABZIEHBILD	CROMO
[A]	YELLOW						
	JAUNE						
	GELB						
	AMARILLO						
[B]	RED						
	ROUGE						
	ROT						
	ROJO						
[C]	BLUE						
	BLEU						
	BLAU						
	AZUL						
[D]	WHITE						
	BLANC						
	WEISS						
	BLANCA						



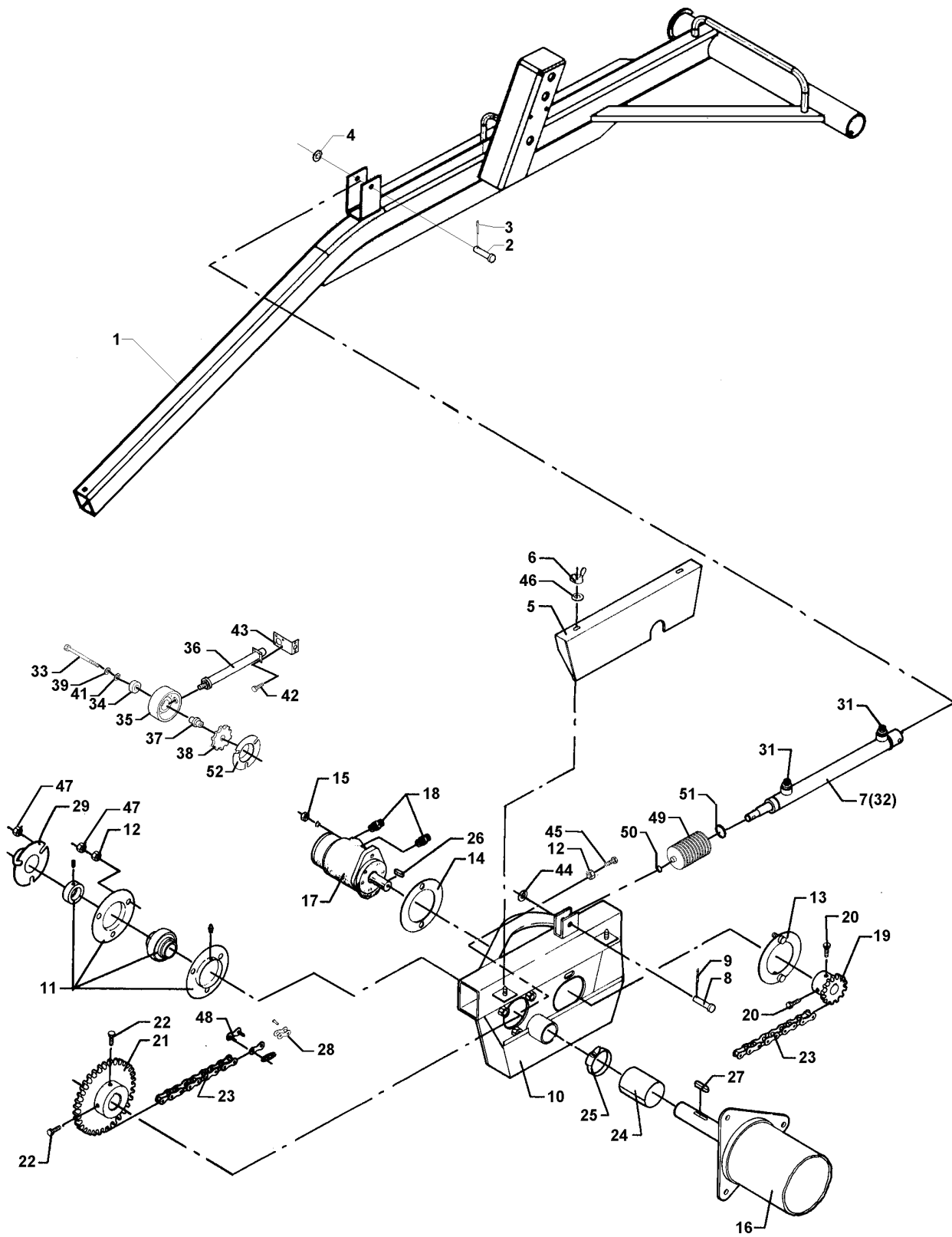
D-BA61-001-A

1	D45140051	15	1	COVER	COUVERCLE	ABDECKUNG.	CUBIERTA
2	D45140052	15	1	SCREW	VIS	SCHRAUBE	TORNILLO
3	D45140053	15	1	LOCK	SERRURE	SCHLOSS	CERRADURA
4	D45140054	15	1	COUPLING	CRABOT	KUPPLUNG	ACOPLAMIENTO
5	D45140055	15	1	UNION	RACCORD	VERSCHRAUBUNG	RACOR
6	D45140056	15	1	PRESSURE VALVE	VALVE	DRUCKVENTIL	VALVULA PRESION
7	D45140057	15	1	PRESSURE VALVE	VALVE	DRUCKVENTIL	VALVULA PRESION
8	D45140058	15	1	PRESSURE VALVE	VALVE	DRUCKVENTIL	VALVULA PRESION
9	D45140045	16	1	ROLLER	GALET	ROLLE	RODILLO
10	D45140046	16	1	STEERING	DIRECTION	LENKUNG	DIRECCION
11	D45140047	16	1	COUPLING	CRABOT	KUPPLUNG	ACOPLAMIENTO
12	D45140048	16	1	COUPLING	CRABOT	KUPPLUNG	ACOPLAMIENTO
13	D45140049	16	1	RING	ANNEAU	RING.	ANILLO
14	D45140050	16	1	RING	ANNEAU	RING.	ANILLO
15	D45140043	CPL.	1	CLUTCH	EMBAYAGE	SCHALTKUPPLUNG	EMBRAGUE
16	D45140044	CPL.	1	CLUTCH	EMBAYAGE	SCHALTKUPPLUNG	EMBRAGUE



D-ZBZA-005-A

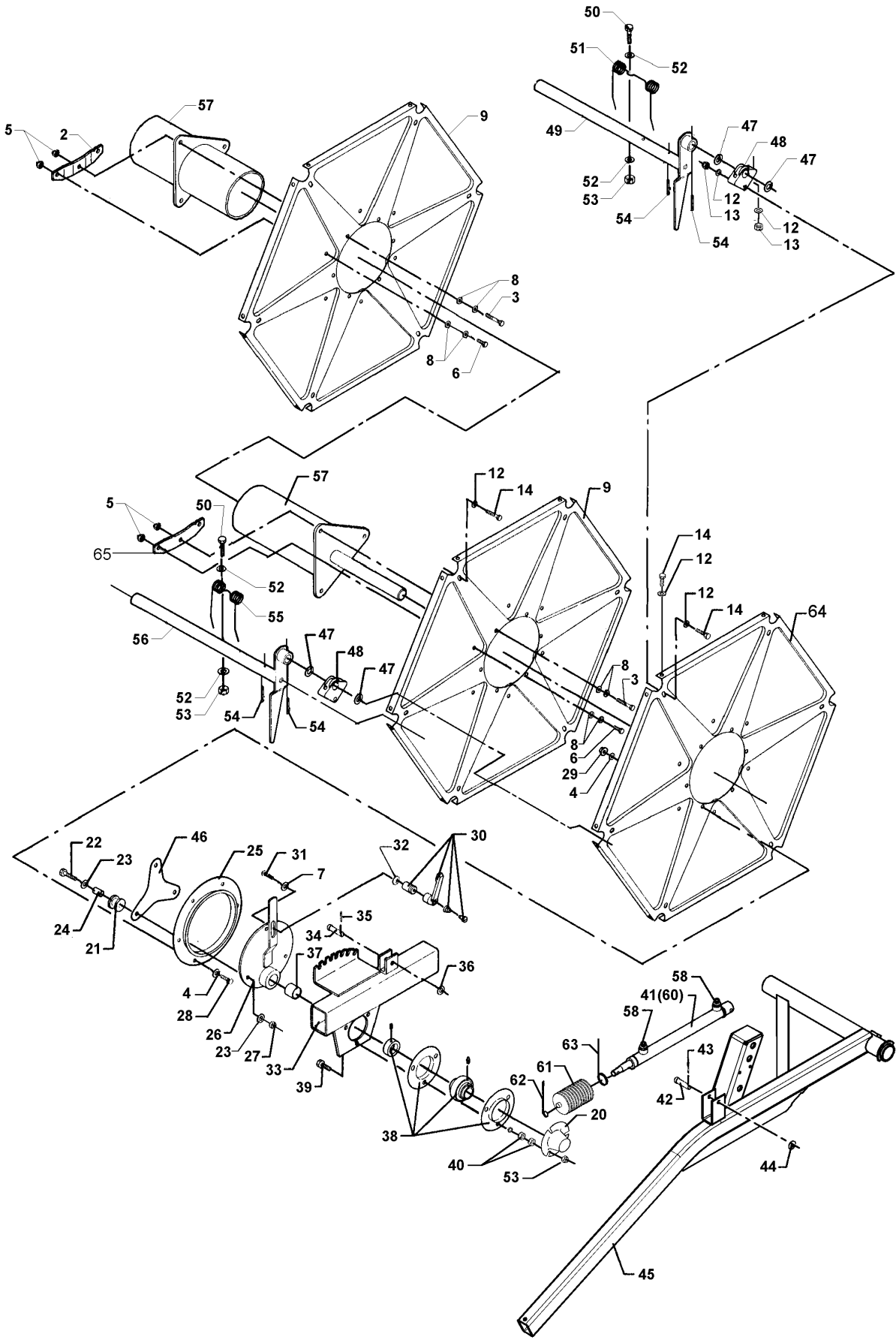
1	D28680276	22'+25' 6,77M - 7,60M	2	PLATE	PLAQUE	PLATTE	PLATO
3	339804X1	M6 X 25	X	HEX. SOCK. SCREW	VIS TETE HEX	ZYLINDERSCHRAUBE	TORN.CAB.HUECA
4	D20400403		X	WASHER	RONDELLE	SCHEIBE	ARANDELA
5	1441462X1	M6	X	LOCKNUT	ECROU FREIN	SICHERUNGSMUTTER	CONTRATUERCA
6	D20400413		X	WASHER	RONDELLE	SCHEIBE	ARANDELA
14	D28660051		6	DOG	CHIEN	KLAUE	PRISIONERO
15	339124X1	M8 X 16	X	HEX. SOCK. SCREW	VIS TETE HEX	ZYLINDERSCHRAUBE	TORN.CAB.HUECA
16	D20400506		X	WASHER	RONDELLE	SCHEIBE	ARANDELA
17	394367X1	M8	X	NUT	ECROU	MUTTER	TUERCA
18	339761X1	M8 X 25	X	HEX. SOCK. SCREW	VIS TETE HEX	ZYLINDERSCHRAUBE	TORN.CAB.HUECA
19	D20400507	18'-20'-22'-25' 5,56M - 6,16M - 6,77M - 7,60M	6	SPACER	ENTRETOISE	ABSTANDSTUECK	DISCO ESPACIADOR
24	D40632000		6	STUD	GOUJON	STEBOLZEN	ESPARRAGO ROSCA.
25	D42614300		6	PIN	GOUPILLE	STIFT	PASADOR
26	D28680107		6	FINGER	DOIGT	FINGER	DEDO
27	D20400586		X	WASHER	RONDELLE	SCHEIBE	ARANDELA
28	D28680117		X	BEARING CARRIER	PALIER	LAGER GEHAEUSE	COJINETE APOYO
29	D28680259	20' - 22' 6,16M - 6,77M	3	BAR	BARRE	STAB	BARRA
29	D28680272	◀ 25' - 7,60M	3	REEL TINE	DENT RABATTEUR	HASPELZINKEN	DIENTE MOLINETE
29	D28680279	22' + 25' 6,77M - 7,60M	3	BAR	BARRE	STAB	BARRA
30	339037X1	⊙ 5 X 50	X	SPLIT PIN	GOUPILLE FENDUE	SPALTBOLZEN	PASADOR HENDIDO
31	D28680260	20' - 22' 6,16M - 6,77M	3	BAR	BARRE	STAB	BARRA
31	D28680280	22' + 25' 6,77M - 7,60M	3	BAR	BARRE	STAB	BARRA
31	D28680271	▶ 25' - 7,60M	3	BAR	BARRE	STAB	BARRA
32	D28680273	▶ 25' - 7,60M	3	BAR	BARRE	STAB	BARRA
32	D28680261	◀ 22' - 6,77M	3	BAR	BARRE	STAB	BARRA
32	D28680257	◀ 20' - 6,16M	3	BAR	BARRE	STAB	BARRA
32	D28680281	22' + 25' 6,77M - 7,60M	3	BAR	BARRE	STAB	BARRA
33	D20400585	18'-20'-22'-25' 5,56M - 6,16M - 6,77M - 7,60M	12	WASHER	RONDELLE	SCHEIBE	ARANDELA
34	D28680132	18'-20'-22'-25' 5,56M - 6,16M - 6,77M - 7,60M	6	BEARING CARRIER	PALIER	LAGER GEHAEUSE	COJINETE APOYO
35	D28680139	18' - 20' - 22' 5,56M - 6,16M - 6,77M	6	PIN	GOUPILLE	STIFT	PASADOR
35	D28685007	25' - 7,60M	6	PIN	GOUPILLE	STIFT	PASADOR
36	339019X1	18'-20'-22'-25' 5,56M - 6,16M - 6,77M - 7,60M M10 X 50	24	HEX. SOCK. SCREW	VIS TETE HEX	ZYLINDERSCHRAUBE	TORN.CAB.HUECA
37	D28660035	18'-20'-22'-25' 5,56M - 6,16M - 6,77M - 7,60M	42	STIRRUP	ETRIER	BUEGEL	FUACION
38	1440329X1	M10	X	LOCKNUT	ECROU FREIN	SICHERUNGSMUTTER	CONTRATUERCA
39	D28680274	25' - 7,60M	3	REEL TINE	DENT RABATTEUR	HASPELZINKEN	DIENTE MOLINETE
39	D28680258	◀ 20' - 6,16M	3	BAR	BARRE	STAB	BARRA
40	D28680151	20' - 6,16M	1	PIPE	TUYAU	TUBE	TUBO
40	D28680278	22' - 6,77M	1	TUBE	TUBE	ROHR	TUBO.
40	D28680267	25' - 7,60M	1	TUBE	TUBE	ROHR	TUBO.
41	D28680130		X	SPRING	RESSORT	FEDER	MUELLE
42	339168X1	M8 X 50	X	HEX. SOCK. SCREW	VIS TETE HEX	ZYLINDERSCHRAUBE	TORN.CAB.HUECA
43	D20400506		X	WASHER	RONDELLE	SCHEIBE	ARANDELA
44	394367X1	M8	X	NUT	ECROU	MUTTER	TUERCA
45	D28680131		3	SPRING	RESSORT	FEDER	MUELLE
46	D28680026		6	BRIDLE	BRIDE	LASCHENSANNBAND	BRIDA



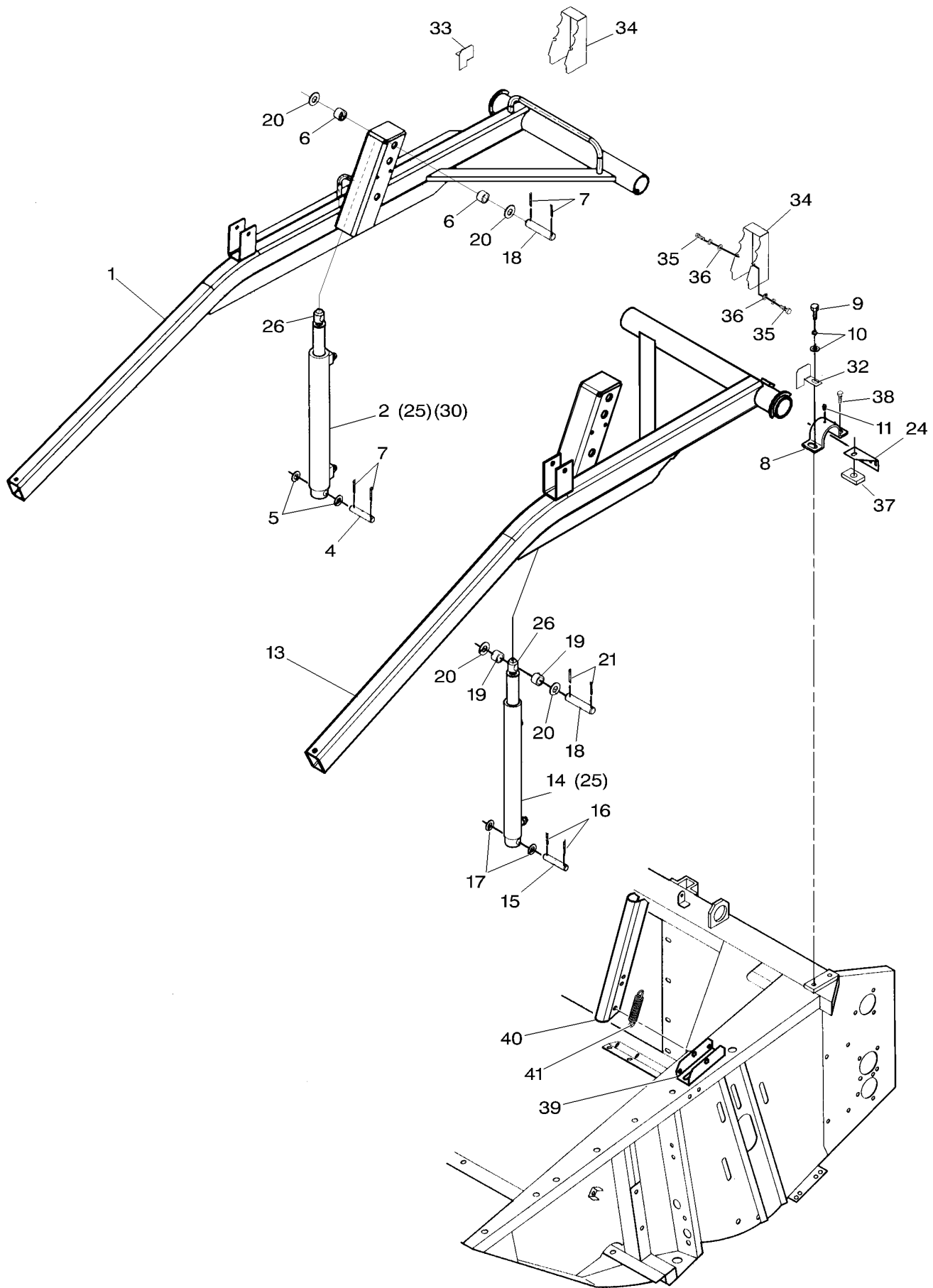
D-ZBZD-004-A

1	D18685026	▶	FREEFLOW	1	FRAME	BATI	RAHMEN	BASTIDOR
1	D28685024	▶	POWERFLOW	1	FRAME	BATI	RAHMEN	BASTIDOR
2	D28280383			1	PIN	GOUPILLE	STIFT	PASADOR
3	354066X1		5/32" X 1	1	SPLIT PIN	GOUPILLE FENDUE	SPALTBOLZEN	PASADOR HENDIDO
4	D20400471			1	WASHER	RONDELLE	SCHEIBE	ARANDELA
5	D28680046			1	COVER	COUVERCLE	ABDECKUNG.	CUBIERTA
6	339106X1		M8	2	WING NUT	ECROU A AILETTES	FLUEGELMUTTER	TUERCA MARIPOSA
7	D45140014		20' - 6,16M 22' - 6,77M 25' - 7,60M	1	CYLINDER	CYLINDRE	ZYLINDER	CILINDRO
7*	D45100028		18' - 5,56M	1	CYLINDER	CYLINDRE	ZYLINDER	CILINDRO
8	D28280382			1	PIN	GOUPILLE	STIFT	PASADOR
9	354066X1		5/32" X 1	1	SPLIT PIN	GOUPILLE FENDUE	SPALTBOLZEN	PASADOR HENDIDO
10	D28680055			1	HOUSING	CARTER	GEHAEUSE	ALOJAMIENTO
11	D41707800			1	BEARING	COUSSINET	LAGER	COJINETE
12	339402X1		M10	4	NUT SPECIAL	ECROU SPECIAL	SPEZIALMUTTER	TUERCA ESPECIAL
13	D28650018			1	PLATE	PLAQUE	PLATTE	PLATO
14	D28650101			1	PLATE	PLAQUE	PLATTE	PLATO
15	3009695X1		M12	2	NUT	ECROU	MUTTER	TUERCA
16	D28680151		20' - 6,16M	1	PIPE	TUYAU	TUBE	TUBO
16	D28680267		25' - 7,60M	1	TUBE	TUBE	ROHR	TUBO.
			◀▶ 941149					
16	D28680278		22' - 6,77M	1	TUBE	TUBE	ROHR	TUBO.
17	D45120700			1	HYDRAULIC MOTOR	MOTEUR HYDRAULIC	HYDRAULIK MOTOR	MOTOR HIDRAULICO
18	D45250700			2	UNION	RACCORD	VERSCHRAUBUNG	RACOR
19	D28650023			1	SPROCKET	BARBOTIN	KETTENRAD	RUEDA DE CADENA
20	339124X1		25' - 7,60M	3	HEX. SOCK. SCREW	VIS TETE HEX	ZYLINDERSCHRAUBE	TORN.CAB.HUECA
			M8 X 16					
			M8 X 20					
20	339123X1			2	HEX. SOCK. SCREW	VIS TETE HEX	ZYLINDERSCHRAUBE	TORN.CAB.HUECA
21	D28680013			1	SPROCKET	BARBOTIN	KETTENRAD	RUEDA DE CADENA
22	339337X1		M8 X 30	2	HEX. SOCK. SCREW	VIS TETE HEX	ZYLINDERSCHRAUBE	TORN.CAB.HUECA
23	D42325700			1	CHAIN	CHAINE	KETTE	CADENA
24	D28680087			1	TUBE	TUBE	ROHR	TUBO.
25	338617X1		⊙ 40-60	1	HOSE CLIP	COLLIER DURITE	SCHLAUCHBINDER	ABRAZADERA TUBO
26	D43103400			1	KEY	CLAVETTE	STELLKEIL	CHAVETA
27	1440375X1			1	KEY PARALLEL	CLAVETTE PARALEL	PASSFEDER	CHAVETA PLANA
28	D42363200			1	LINK	MAILLON	GLIED	ESLABON
29	D28761977			1	COVER	COUVERCLE	ABDECKUNG.	CUBIERTA
31	D45250000			2	UNION	RACCORD	VERSCHRAUBUNG	RACOR
32	D45140016		20' - 6,16M 22' - 6,77M 25' - 7,60M	1	KIT, GASKET	JEU JOINTS PLATS	FLACHDICHT. SATZ	KIT JUNTA PLANA
			18' - 5,56M					
32*	D45110020			1	KIT	JEU	SATZ	JUEGO
33	339814X1		[A] M10 X 35	1	HEX. SOCK. SCREW	VIS TETE HEX	ZYLINDERSCHRAUBE	TORN.CAB.HUECA
34	D28781020		[A]	1	SENSOR	DETECTEUR	SENSOR	DETECTOR
34	1440487X1	34	[A]	1	BEAR. 6203 2RS	RLT 6203 2RS	LAGER 6203 2RS	RODA. 6203 2RS
35	D28751223	34	[A]	1	CUP	COUPELLE	LAUFRING	CUBETA
36	D28781016	34	[A]	1	SENSOR	DETECTEUR	SENSOR	DETECTOR
37	D28751218	34	[A]	1	JOURNAL	TENON	LAGERZAPFEN	GORRON
38	D28750922	34	[A]	1	WHEEL	ROUE	RAD	RUEDA
39	D41101900		[A]	1	SPRING WASHER	RONDELLE ELASTIQ	FEDERSCHEIBE	ARANDELA ELASTI.
41	D20400419		[A]	1	WASHER	RONDELLE	SCHEIBE	ARANDELA
42	D40740400		[A]	4	SCREW	VIS	SCHRAUBE	TORNILLO
43	D28780772		[A]	1	RETAINER	RETENEUR	HALTERING	RETENEDOR
44	D20400505			1	SPACER	ENTRETOISE	ABSTANDSTUECK	DISCO ESPACIADOR
45	D40408400			1	BOLT METRIC	BOULON METRIQUE	MASCH.SCHRB MET	PERNO METRICO
46	D20400414			2	WASHER	RONDELLE	SCHEIBE	ARANDELA
47	394367X1		M8	6	NUT	ECROU	MUTTER	TUERCA
48	D42363100			1	LINK	MAILLON	GLIED	ESLABON
49	D28281626			1	RUBBER	CAOUTCHOUC	GUMMI	CAUCHO
50	D45007800			1	RETAINER	RETENEUR	HALTERING	RETENEDOR
51	D45050037			1	RETAINER	RETENEUR	HALTERING	RETENEDOR
52	D28281517		[A]	1	COVER	COUVERCLE	ABDECKUNG.	CUBIERTA

[A] OPTIONAL EQUIPMENT REEL/FIELD PRESSURE ADJUSTMENT
 ACCESSOIRE, COMMANDE RABATTEURS ET PRESSE AU SOL DE LA BARRE DE COUPE
 SONDERAUSR STUN G, HASPEL/FEL DRUCKEINSTELL
 EQUIPO OPCIONAL, AJUSTE MOLINETE Y PRESION AL SUELO

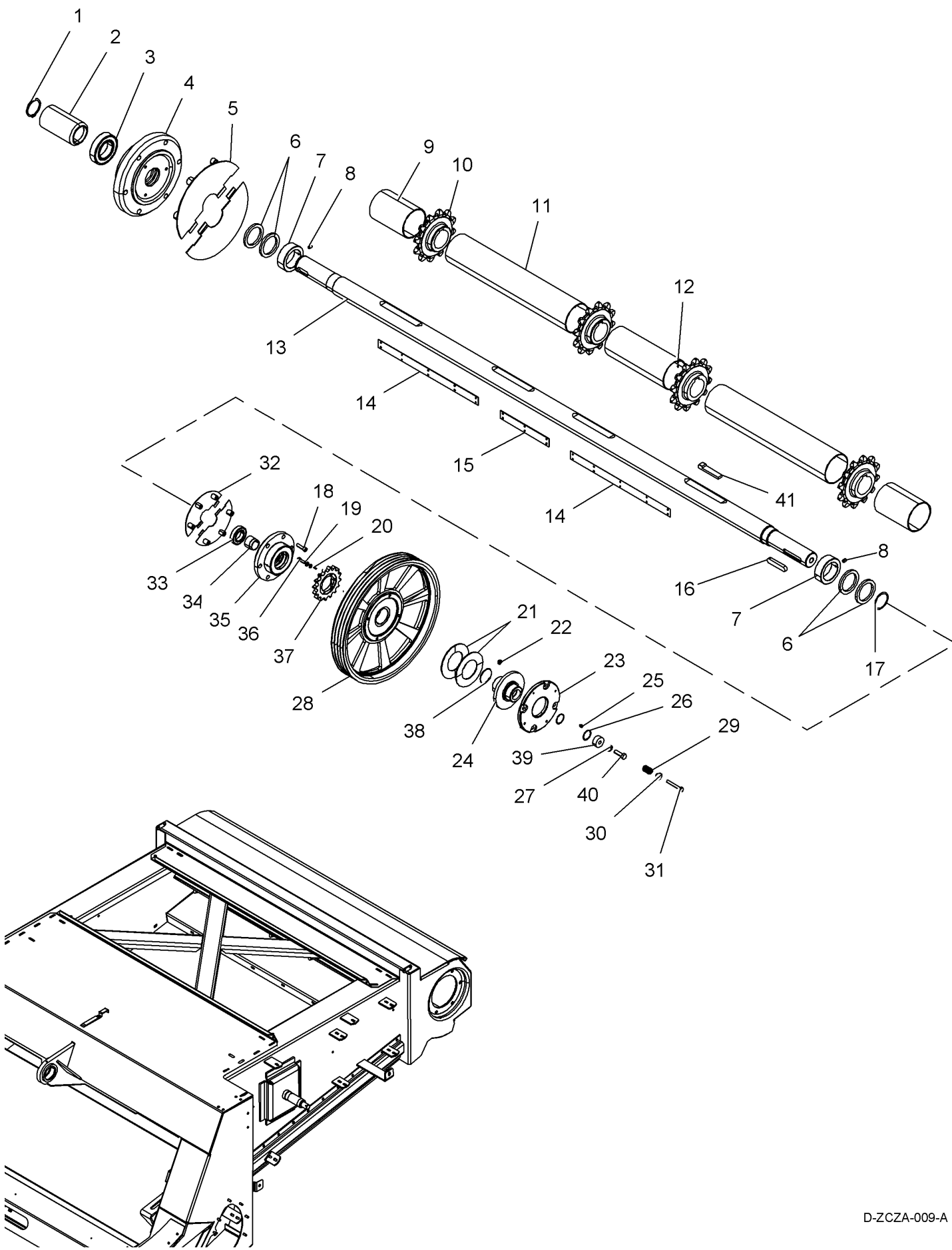


2	D28660051		6	DOG	CHIEN	KLAUE	PRISIONERO
3	339761X1	M8 X 50	X	HEX. SOCK. SCREW	VIS TETE HEX	ZYLINDERSCHRAUBE	TORN.CAB.HUECA
4	D20400506		X	WASHER	RONDELLE	SCHEIBE	ARANDELA
5	394367X1	M8	X	NUT	ECROU	MUTTER	TUERCA
6	339124X1	M8 X 16	X	HEX. SOCK. SCREW	VIS TETE HEX	ZYLINDERSCHRAUBE	TORN.CAB.HUECA
7	D20400518		1	SPACER	ENTRETOISE	ABSTANDSTUECK	DISCO ESPACIADOR
8	D20400413		X	WASHER	RONDELLE	SCHEIBE	ARANDELA
8	D20400506	25' - 7,60M	X	WASHER	RONDELLE	SCHEIBE	ARANDELA
9	D28680276		3	PLATE	PLAQUE	PLATTE	PLATO
12	D20400403		X	WASHER	RONDELLE	SCHEIBE	ARANDELA
13	1441462X1	M6	X	LOCKNUT	ECROU FREIN	SICHERUNGSMUTTER	CONTRATUERCA
14	339804X1	M6 X 25	X	HEX. SOCK. SCREW	VIS TETE HEX	ZYLINDERSCHRAUBE	TORN.CAB.HUECA
20	D28761977		1	COVER	COUVERCLE	ABDECKUNG.	CUBIERTA
21	D28660005		3	ROLLER	GALET	ROLLE	RODILLO
22	339019X1	M10 X 50	3	HEX. SOCK. SCREW	VIS TETE HEX	ZYLINDERSCHRAUBE	TORN.CAB.HUECA
22	3009498X1	25' - 7,60M	3	HEX. SOCK. SCREW	VIS TETE HEX	ZYLINDERSCHRAUBE	TORN.CAB.HUECA
		M10 X 55					
23	D20400416		3	WASHER	RONDELLE	SCHEIBE	ARANDELA
23	D20400471	25' - 7,60M	3	WASHER	RONDELLE	SCHEIBE	ARANDELA
24	D28660143		3	BUSH	BAGUE	RING	CASQUILLO
25	D28680277		1	RING	ANNEAU	RING.	ANILLO
26	D28680097		1	PLATE	PLAQUE	PLATTE	PLATO
27	1440329X1	M10	3	LOCKNUT	ECROU FREIN	SICHERUNGSMUTTER	CONTRATUERCA
28	339123X1	M8 X 20	6	HEX. SOCK. SCREW	VIS TETE HEX	ZYLINDERSCHRAUBE	TORN.CAB.HUECA
29	394367X1	M8	6	NUT	ECROU	MUTTER	TUERCA
30	D43387500		1	LEVER	LEVIER	HEBEL	PALANCA
31	390787X1	M12 X 25	1	SCREW SPECIAL	VIS SPECIALE	SPEZIALSCHRAUBE	TORNILLO ESPEC.
32	D20400426		1	WASHER	RONDELLE	SCHEIBE	ARANDELA
33	D28680054		1	HOUSING	CARTER	GEHAEUSE	ALOJAMIENTO
34	D28280382		1	PIN	GOUPILLE	STIFT	PASADOR
35	354066X1	5/32" X 1	1	SPLIT PIN	GOUPILLE FENDUE	SPALTBOLZEN	PASADOR HENDIDO
36	D20400505		1	SPACER	ENTRETOISE	ABSTANDSTUECK	DISCO ESPACIADOR
37	D43338200	26	1	LINING	GARNITURE FRICT	BELAG	FORRO
38	D41707800		1	BEARING	COUSSINET	LAGER	COJINETE
39	3009493X1	M10 X 30	3	HEX. SOCK. SCREW	VIS TETE HEX	ZYLINDERSCHRAUBE	TORN.CAB.HUECA
39	390799X1	25' - 7,60M	3	HEX. SOCK. SCREW	VIS TETE HEX	ZYLINDERSCHRAUBE	TORN.CAB.HUECA
		M10 X 40					
40	339402X1	M10	3	NUT SPECIAL	ECROU SPECIAL	SPEZIALMUTTER	TUERCA ESPECIAL
41	D45140011	20' - 6,16M	1	CYLINDER	CYLINDRE	ZYLINDER	CILINDRO
		22' - 6,77M					
		25' - 7,60M					
		18' - 5,56M					
41*	D45100027		1	CYLINDER	CYLINDRE	ZYLINDER	CILINDRO
42	D28280383		1	PIN	GOUPILLE	STIFT	PASADOR
43	354066X1	5/32" X 1	1	SPLIT PIN	GOUPILLE FENDUE	SPALTBOLZEN	PASADOR HENDIDO
44	D20400471		1	WASHER	RONDELLE	SCHEIBE	ARANDELA
45	D18685025	◀ FREEFLOW	1	FRAME	BATI	RAHMEN	BASTIDOR
45	D28685023	◀ POWERFLOW	1	FRAME	BATI	RAHMEN	BASTIDOR
46	D28680120		1	PLATE	PLAQUE	PLATTE	PLATO
47	D20400586		X	WASHER	RONDELLE	SCHEIBE	ARANDELA
48	D28680117		X	BEARING CARRIER	PALIER	LAGER GEHAEUSE	COJINETE APOYO
49	D28680273	◀ 25' - 7,60M	3	BAR	BARRE	STAB	BARRA
49	D28680261	◀ 22' - 6,77M	3	BAR	BARRE	STAB	BARRA
49	D28680257	◀ 20' - 6,16M	3	BAR	BARRE	STAB	BARRA
49	D28680281	22" + 25" 6,77M - 7,60M	3	BAR	BARRE	STAB	BARRA
50	339168X1	M8 X 50	X	HEX. SOCK. SCREW	VIS TETE HEX	ZYLINDERSCHRAUBE	TORN.CAB.HUECA
51	D28680130		X	SPRING	RESSORT	FEDER	MUELLE
52	D20400506		X	WASHER	RONDELLE	SCHEIBE	ARANDELA
53	394367X1	M8	X	NUT	ECROU	MUTTER	TUERCA
54	339037X1	⊙ 5 X 50	X	SPLIT PIN	GOUPILLE FENDUE	SPALTBOLZEN	PASADOR HENDIDO
55	D28680131		3	SPRING	RESSORT	FEDER	MUELLE
56	D28680274	◀ 15' - 7, 60 M	3	REEL TINE	DENT RABATTEUR	HASPELZINKEN	DIENTE MOLINETE
56	D28680140	◀ 22' - 6,77M	3	RAKE	PEIGNE	RECHEN	RASTRILLO
56	D28680262	◀ 22' - 6,77M	3	BAR	BARRE	STAB	BARRA
56	D28680258	◀ 20' - 6,16M	3	BAR	BARRE	STAB	BARRA
56	D28680282	22' + 25' 6,77M - 7,60M	3	BAR	BARRE	STAB	BARRA
57	D28680278	22' - 6,77M	1	TUBE	TUBE	ROHR	TUBO.
57	D28680151	20' - 6,16M	1	PIPE	TUYAU	TUBE	TUBO
57	D28680267	25' - 7,60M	1	TUBE	TUBE	ROHR	TUBO.
58	D45250000	PACOMA	2	UNION	RACCORD	VERSCHRAUBUNG	RACOR
60*	D45140015	20' - 6,16M	1	KIT, GASKET	JEU JOINTS PLATS	FLACHDICHT. SATZ	KIT JUNTA PLANA
		22' - 6,77M					
		25' - 7,60M					
		18' - 5,56M					
60*	D45110019		1	KIT, JOINT	JEU JOINTS	DICHTUNGSSATZ	JUEGO JUNTAS
61	D28281626		1	RUBBER	CAOUTCHOUC	GUMMI	CAUCHO
62	D45007800		1	RETAINER	RETENEUR	HALTERING	RETENEDOR
63	D45050037		1	RETAINER	RETENEUR	HALTERING	RETENEDOR
64	D28680276		1	PLATE	PLAQUE	PLATTE	PLATO
65	D28680026		6	BRIDLE	BRIDE	LASCHENSANNBAND	BRIDA



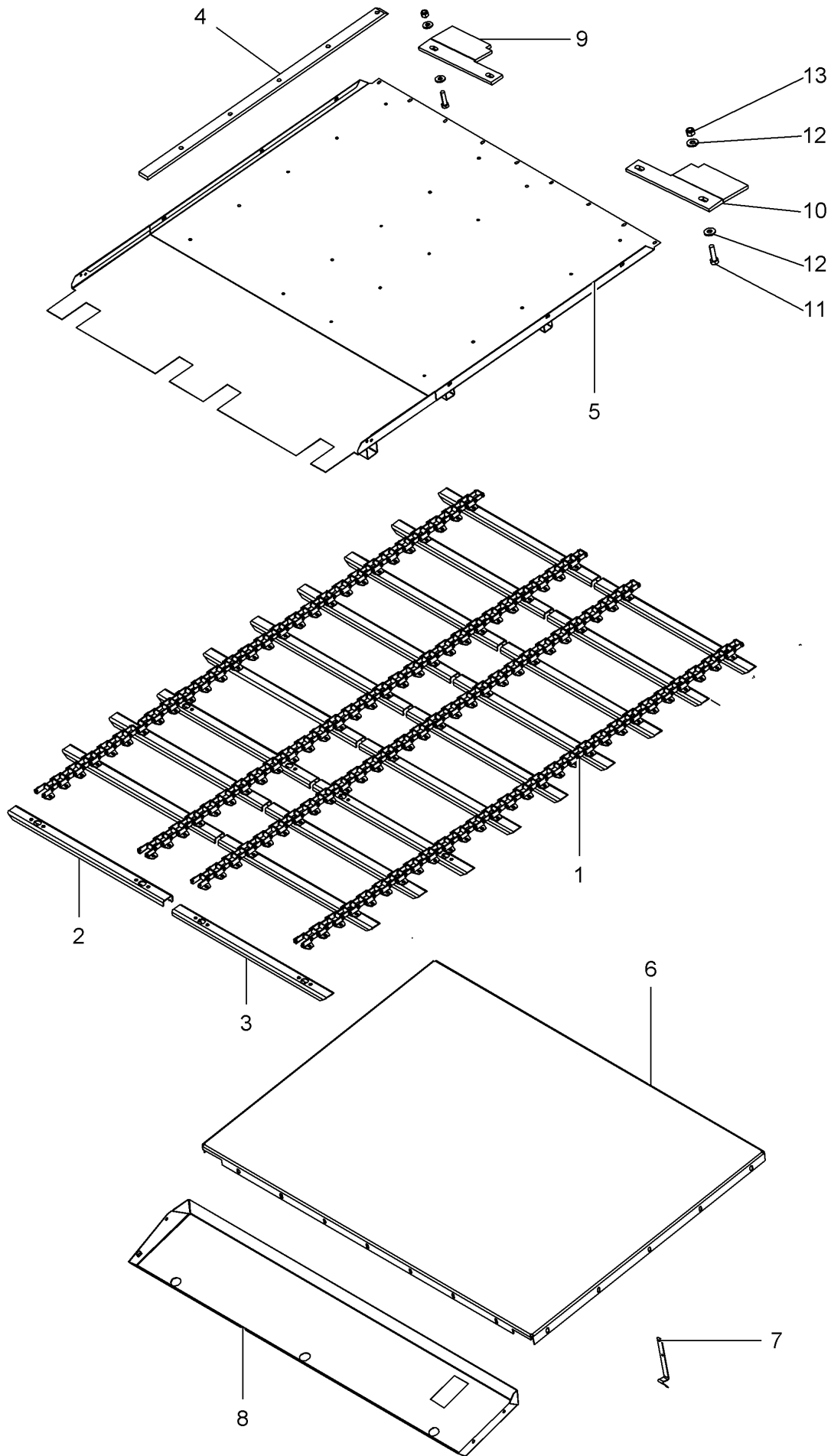
D-ZBZC-006-A

1	D18685026	▶	FREEFLOW	1	FRAME	BATI	RAHMEN	BASTIDOR
1	D28685024	▶	POWERFLOW	1	FRAME	BATI	RAHMEN	BASTIDOR
2	D45100066			1	CYLINDER	CYLINDRE	ZYLINDER	CILINDRO
4	D28280236			1	PIN	GOUPILLE	STIFT	PASADOR
5	D20400518			2	SPACER	ENTRETOISE	ABSTANDSTUECK	DISCO ESPACIADOR
6	D28751140			2	SPACER	ENTRETOISE	ABSTANDSTUECK	DISCO ESPACIADOR
7	354066X1		5/32" X 1	4	SPLIT PIN	GOUPILLE FENDUE	SPALTBOLZEN	PASADOR HENDIDO
8	D28283300			2	HALF FLANGE	DEMI FLASQUE	HALBFLANSCH	MEDIA PLETINA
9	339139X1		M12 X 25	2	HEX. SOCK. SCREW	VIS TETE HEX	ZYLINDERSCHRAUBE	TORN.CAB.HUECA
10	D20400424			2	WASHER	RONDELLE	SCHEIBE	ARANDELA
11	1441858X1		M6	2	GREASE FITTING	GRAISSEUR	DRUCKSCHMIERKOPF	ENGRASADOR
13	D18685025	◀	FREEFLOW	1	FRAME	BATI	RAHMEN	BASTIDOR
13	D28685023	◀	POWERFLOW	1	FRAME	BATI	RAHMEN	BASTIDOR
14	D45100067			1	CYLINDER	CYLINDRE	ZYLINDER	CILINDRO
15	D28280236			1	PIN	GOUPILLE	STIFT	PASADOR
16	354066X1		5/32" X 1	2	SPLIT PIN	GOUPILLE FENDUE	SPALTBOLZEN	PASADOR HENDIDO
17	D20400518			2	SPACER	ENTRETOISE	ABSTANDSTUECK	DISCO ESPACIADOR
18	D28280237			2	PIN	GOUPILLE	STIFT	PASADOR
19	D28751140			2	SPACER	ENTRETOISE	ABSTANDSTUECK	DISCO ESPACIADOR
20	D20400520			4	SPACER	ENTRETOISE	ABSTANDSTUECK	DISCO ESPACIADOR
21	354066X1		5/32" X 1	4	SPLIT PIN	GOUPILLE FENDUE	SPALTBOLZEN	PASADOR HENDIDO
24	D58283251			1	RETAINER	RETENEUR	HALTERING	RETENEDOR
25	D41042700			2	NUT	ECROU	MUTTER	TUERCA
26	D45100044			2	EXTENSION	RALLONGE	VERLAENGERUNG	ENSANCHE
30	D45110089		SERTA	1	KIT, SEAL	JEU ETANCHEITE	DICHTRINGSATZ	RETENES JUEGO
32	D28680025			1	ANGLE.	EQUERRE.	WINKEL	ANGULO
33	D28680024			1	ANGLE.	EQUERRE.	WINKEL	ANGULO
34	D28281518			2	GUARD	GARDE	SCHUTZVORR	DEFENSA
35	339560X1		M6 X 16	4	HEX. SOCK. SCREW	VIS TETE HEX	ZYLINDERSCHRAUBE	TORN.CAB.HUECA
36	D20400404			4	WASHER	RONDELLE	SCHEIBE	ARANDELA
37	D28283835			2	SUPPORT	SUPPORT	TRAGER	SOPORTE
38	1440716X1		M12 X 30	2	HEX. SOCK. SCREW	VIS TETE HEX	ZYLINDERSCHRAUBE	TORN.CAB.HUECA
39	D28685027			2	CONSOLE	CONSOLE	KONSOLE	CONSOLA
40	D28685015			2	STAND	BEQUILLE	STANDER	CABALLETE
41	D28710853			2	SPRING	RESSORT	FEDER	MUELLE



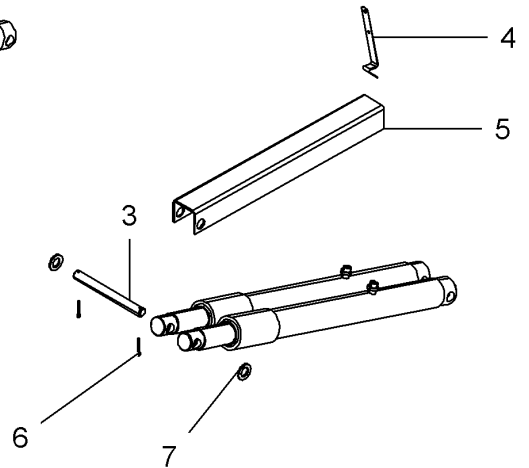
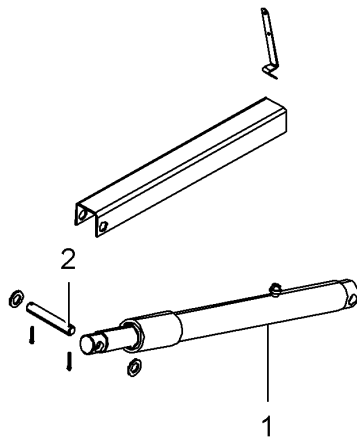
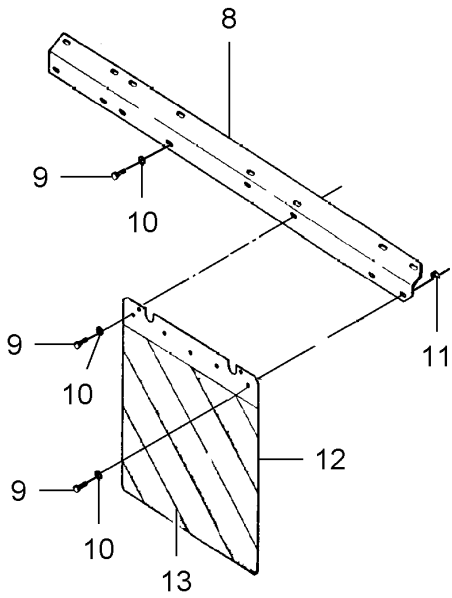
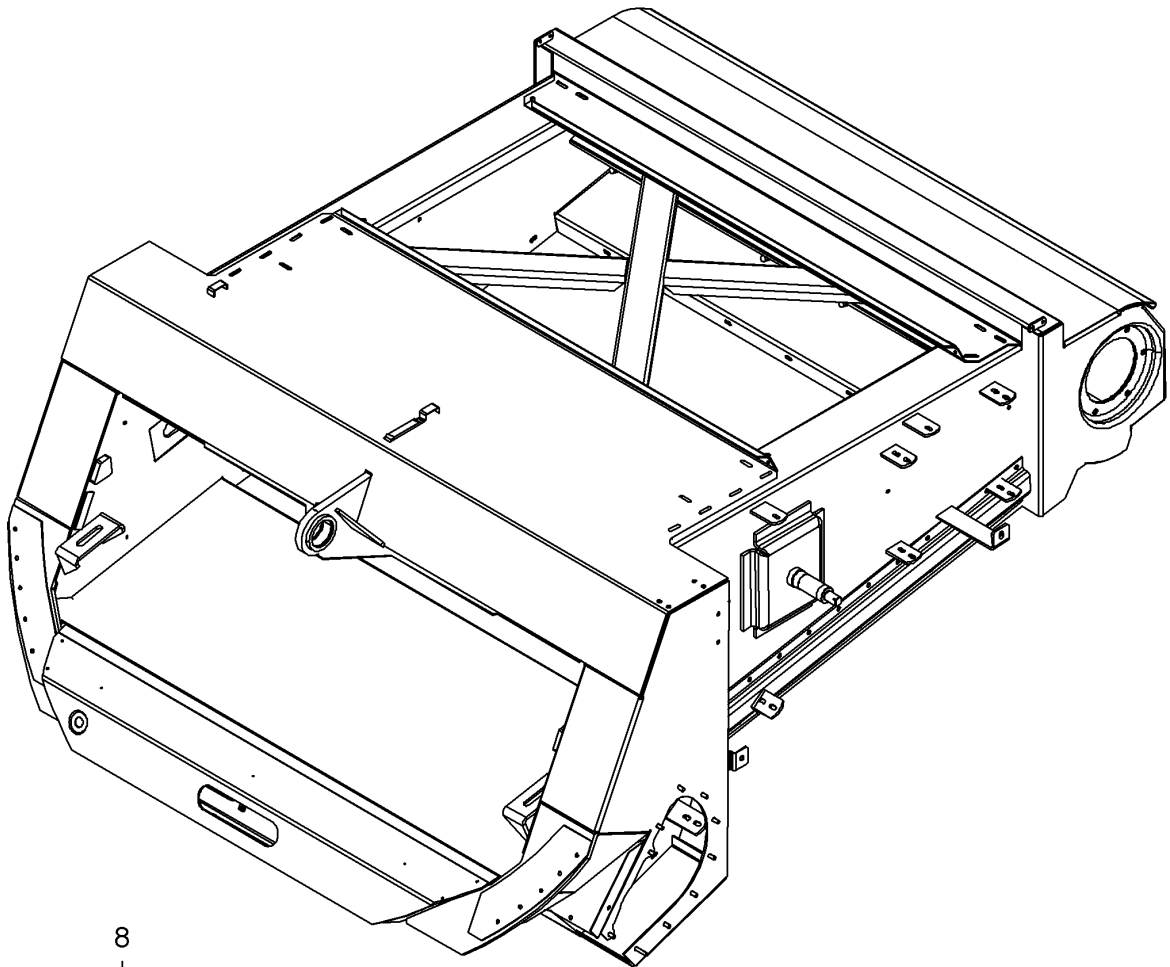
D-ZCZA-009-A

1 D42504300	1 CIRCLIP	CIRCLIP	SEEGERING	GRAPA CIRCULAR
2 D28283846	1 BUSH	BAGUE	RING	CASQUILLO
3 D41623300	2 BEAR. 6210 2RS	RLT 6210 2RS	LAGER 6210 2RS	RODA. 6210 2RS
4 D28280112	1 BEARING	COUSSINET	LAGER	COJINETE
5 D28285386	4 COVER	COUVERCLE	ABDECKUNG.	CUBIERTA
6 D43501500	4 FELT RING	BAGUE FEUTRE	FILZRING	ANILLA FIENTRO
7 D28286108	2 INSERT	DOUILLE	EINSATZSTUECK	INSERCIÓN
8 D40632000	1 STUD	GOUJON	STEBOLZEN	ESPARRAGO ROSCA.
9 D28286107	2 PROTECTOR	PROTECTEUR	SCHUTZ	PROTECTOR
10 D28281304	4 SPROCKET	BARBOTIN	KETTENRAD	RUEDA DE CADENA
11 D28281840	2 PROTECTOR	PROTECTEUR	SCHUTZ	PROTECTOR
12 D28281874	1 PROTECTOR	PROTECTEUR	SCHUTZ	PROTECTOR
13 D28283598	1 SHAFT	ARBRE	WELLE	ARBOL
13 D28283593	1 SHAFT	ARBRE	WELLE	ARBOL
14 D28281870	2 PLATE	PLAQUE	PLATTE	PLATO
15 D28281871	1 PLATE	PLAQUE	PLATTE	PLATO
16 D43107900	1 KEY	CLAVETTE	STELLKEIL	CHAVETA
17 D42596900	1 TIGHTENER	TENSEUR	SPANNROLLE	TENSADOR
18 D40694100	1 SCREW	VIS	SCHRAUBE	TORNILLO
19 D41101900	1 SPRING WASHER	RONDELLE ELASTIQ	FEDERSCHEIBE	ARANDELA ELASTI.
20 D20400471	1 WASHER	RONDELLE	SCHEIBE	ARANDELA
21 D45904300	2 FRICTION DISC	DISQUE FRICTION	REIBSCHEIBE	DISCO FRICCION
22 D41012100	1 LOCKNUT	ECROU FREIN	SICHERUNGSMUTTER	CONTRATUERCA
23 D28280116	1 PLATE	PLAQUE	PLATTE	PLATO
24 D28280118	1 HUB	MOYEU	NABE	CUBO
25 D43001600	1 GREASE FITTING	GRAISSEUR	DRUCKSCHMIERKOPF	ENGRASADOR
26 D42596900	2 TIGHTENER	TENSEUR	SPANNROLLE	TENSADOR
27 D20400459	1 WASHER	RONDELLE	SCHEIBE	ARANDELA
28 D28280120	1 PULLEY	POULIE	RIEMENSCHLEIBE	POLEA
29 D28286052	4 COMP.SPRING	RESSORT DE COMPR	DRUCKFEDER	RESORTE DE COMP.
30 D28251025	4 WASHER	RONDELLE	SCHEIBE	ARANDELA
31 D40429200	1 HEX. SOCK. SCREW	VIS TETE HEX	ZYLINDERSCHRAUBE	TORN.CAB.HUECA
32 D28285386	1 COVER	COUVERCLE	ABDECKUNG.	CUBIERTA
33 D41623300	1 BEAR. 6210 2RS	RLT 6210 2RS	LAGER 6210 2RS	RODA. 6210 2RS
34 D28280252	1 RING	ANNEAU	RING.	ANILLO
35 D28280112	2 BEARING	COUSSINET	LAGER	COJINETE
36 D40407900	1 HEX. SOCK. SCREW	VIS TETE HEX	ZYLINDERSCHRAUBE	TORN.CAB.HUECA
37 D28281618	1 SPROCKET	BARBOTIN	KETTENRAD	RUEDA DE CADENA
38 D45481200	1 O RING	JOINT TORIQUE	O-RING	JUNTA TOROIDAL
39 D28280261	1 RING	ANNEAU	RING.	ANILLO
40 D40433200	1 HEX. SOCK. SCREW	VIS TETE HEX	ZYLINDERSCHRAUBE	TORN.CAB.HUECA
41 D43162000	1 GIB KEY	CLAVETTE A TALON	NASENKEIL	CHAVETA EN CUNA



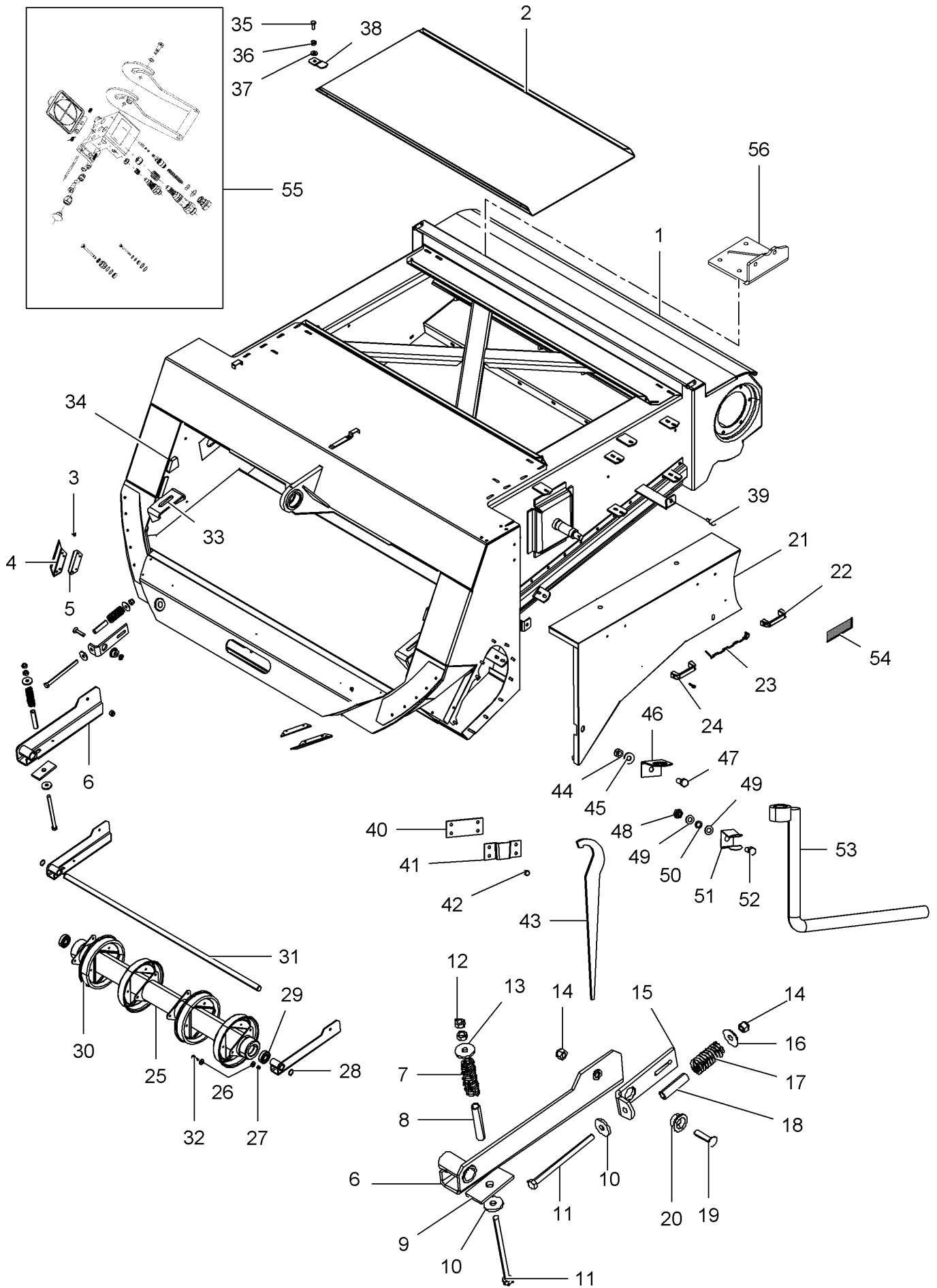
D-ZCZB-010-B

1	D28285326		1	CHAIN	CHAINE	KETTE	CADENA
2	D28285406	[A]	1	SLAT	LATTE	LATTE.	LISTON
		▶					
		▶					
		▶					
2	D28285324	[B]	1	SLAT	LATTE	LATTE.	LISTON
		▶					
		▶					
		▶					
3	D28285407	[A]	1	SLAT	LATTE	LATTE.	LISTON
		▶					
		▶					
		▶					
3	D28285325	[B]	1	SLAT	LATTE	LATTE.	LISTON
		▶					
		▶					
		▶					
4	D28281247		1	GUIDE	GUIDE	FUEHRUNG	GUIA
5	D28281705		1	PLATE	PLAQUE	PLATTE	PLATO
6	D28273919		1	PLATE	PLAQUE	PLATTE	PLATO
7	D28260477		1	RETAINER	RETENEUR	HALTERING	RETENEDOR
8	D28286232		1	PLATE	PLAQUE	PLATTE	PLATO
9*	6217801M1		1	BRACKET	SUPPORT FIXATION	HALTEARM	SOPORTE
10*	6217802M1		1	BRACKET	SUPPORT FIXATION	HALTEARM	SOPORTE
11*	D40405100		1	HEX. SOCK. SCREW	VIS TETE HEX	ZYLINDERSCHRAUBE	TORN.CAB.HUECA
12*	D20400506		1	WASHER	RONDELLE	SCHEIBE	ARANDELA
13*	D41087500		1	LOCKNUT	ECROU FREIN	SICHERUNGSMUTTER	CONTRATUERCA
[A]	STANDARD						
	NORMALE						
	STANDARD						
	STANDARD						
[B]	AUTO LEVEL						
	AUTO LEVEL						
	AUTO LEVEL						
	AUTO LEVEL						



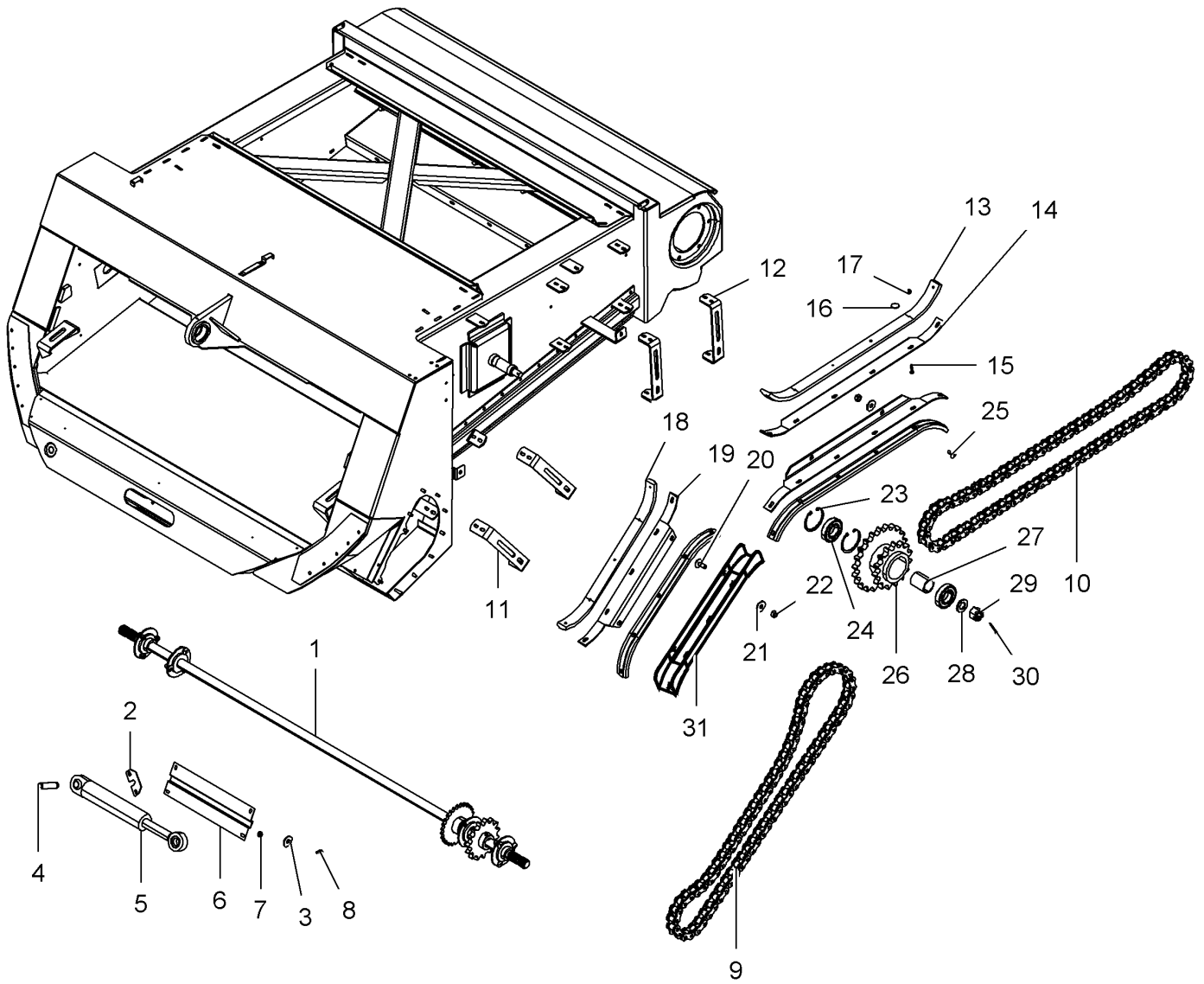
D-ZCZD-013-B

1 D45140002		1 RAM	VERIN	HYDR.ZYLINDER	ARIETE
1 D45110087		1 KIT, SEAL	JEU ETANCHEITE	DICHTRINGSATZ	RETENES JUEGO
2 D28181856		1 CLEVIS PIN	AXE	SPLINTBOLZEN	BULON CILINDRICO
3 D28181857		1 CLEVIS PIN	AXE	SPLINTBOLZEN	BULON CILINDRICO
4 D28260477		1 RETAINER	RETENEUR	HALTERING	RETENEDOR
5 D28284123		1 STOP	BUTEE	ANSCHLAG	PARO
6 D41410700		1 SPLIT PIN	GOUPILLE FENDUE	SPALTBOLZEN	PASADOR HENDIDO
7 D20400467		1 WASHER	RONDELLE	SCHEIBE	ARANDELA
8*D28181073		2 SUSPENSION	SUSPENSION	AUFHAENGUNG.	SUSPENSION
9*339666X1	M6 X 20	X HEX. SOCK. SCREW	VIS TETE HEX	ZYLINDERSCHRAUBE	TORN.CAB.HUECA
10*391038X1		X FLAT WASHER	RONDELLE PLATE	UNTERLEGSCHIEBEN	ARANDELA PLANA
11*394367X1	M8	X NUT	ECROU	MUTTER	TUERCA
12*D28761501		2 PLATE	PLAQUE	PLATTE	PLATO
13*D49157500		4 DECAL	DECALCOMANIE	AUFKLEBER	CALCOMANIA



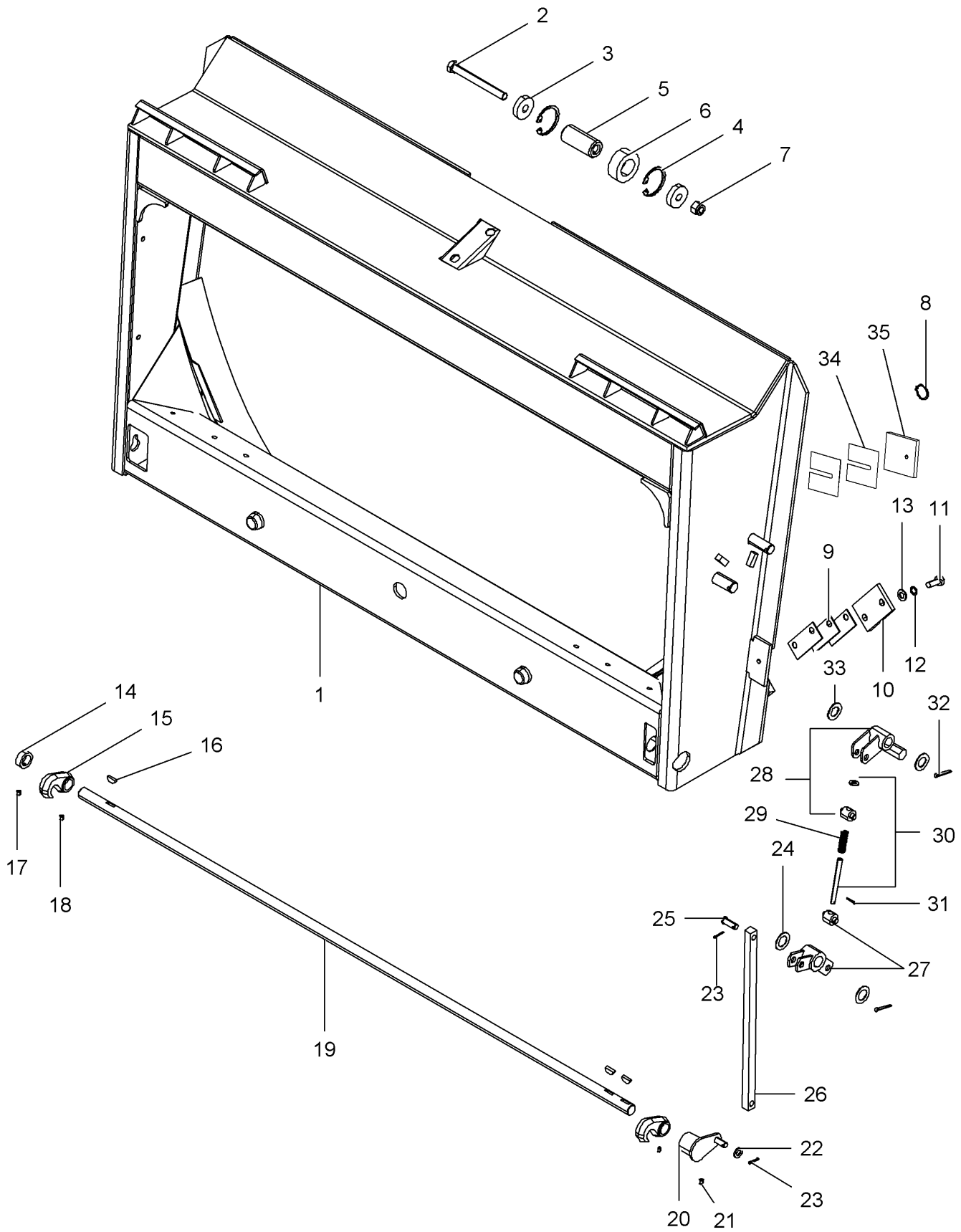
D-ZCZF-014-B

1*D28273725		1 HOUSING	CARTER	GEHAEUSE	ALOJAMIENTO
2 D28282086		2 SHUTTER	OBTURATEUR	BLENDEVERSCHLUS	OBTURADOR
3 D41397900		1 RIVET	RIVET	NIET	REMACHE
4 D28281853		1 SEAL	JOINT ETANCHEITE	DICHTRING	JUNTA REDONDA
5 D28281854		1 CLAMP	COLLIER	HALTESCHELLE	ABRAZADERA
6 D28281966	▶	1 BRACKET	SUPPORT FIXATION	HALTEAM	SOPORTE
6 D28281963	▶	1 BRACKET	SUPPORT FIXATION	HALTEAM	SOPORTE
7 D28281798		2 SPRING	RESSORT	FEDER	MUELLE
8 D28281799		2 PIPE	TUYAU	TUBE	TUBO
9 D28280537		2 PLATE	PLAQUE	PLATTE	PLATO
10 D20400425		2 WASHER	RONDELLE	SCHEIBE	ARANDELA
11 D40413200		2 SCREW	VIS	SCHRAUBE	TORNILLO
12 D41010900		1 NUT	ECROU	MUTTER	TUERCA
13 D20400425		1 WASHER	RONDELLE	SCHEIBE	ARANDELA
14 D41087700		2 LOCKNUT	ECROU FREIN	SICHERUNGSMUTTER	CONTRATUERCA
15 D28288151		2 SUPPORT	SUPPORT	TRAGER	SOPORTE
16 D28260383		2 INDICATOR	INDICATEUR	ANZEIGER	INDICADOR
17 D28280309		2 SPRING	RESSORT	FEDER	MUELLE
18 D28280489		2 SPACER	ENTRETOISE	ABSTANDSTUECK	DISCO ESPACIADOR
19*D40605600		1 SCREW METRIC	VIS METRIQUE	SCHRAUBE METR	TORNILLO METRICO
20 D28281777		2 BUSH	BAGUE	RING	CASQUILLO
21 D28273963		1 COVER	COUVERCLE	ABDECKUNG.	CUBIERTA
22 D43386900		1 GRIP	POIGNEE	HANDGRIFF	MANGO
23 D28274066		1 CHAIN	CHAINE	KETTE	CADENA
24 D40690400		1 SCREW	VIS	SCHRAUBE	TORNILLO
25 D28281960		1 SHAFT	ARBRE	WELLE	ARBOL
26 D20400415		2 WASHER	RONDELLE	SCHEIBE	ARANDELA
27 1440329X1	● D41087600	1 LOCKNUT	ECROU FREIN	SICHERUNGSMUTTER	CONTRATUERCA
28 D42502800		2 CIRCLIP	CIRCLIP	SEGERING	GRAPA CIRCULAR
29 D41629000		2 BEAR. 6306 2RS	RLT 6306 2RS	LAGER 6306 2RS	RODA. 6306 2RS
30 D28281245		4 CUP	COUPELLE	LAUFRING	CUBETA
31 D28281767		1 SHAFT	ARBRE	WELLE	ARBOL
32 D40407900		1 HEX. SOCK. SCREW	VIS TETE HEX	ZYLINDERSCHRAUBE	TORN.CAB.HUECA
33 D28281957		1 ANGLEPIECE	CORNIERE	WINKELEISEN	PIEZA ANGULAR
34 D28282232		2 ANGLEPIECE	CORNIERE	WINKELEISEN	PIEZA ANGULAR
35 339123X1	● D40404900	1 HEX. SOCK. SCREW	VIS TETE HEX	ZYLINDERSCHRAUBE	TORN.CAB.HUECA
36 D41102100		1 WASHER	RONDELLE	SCHEIBE	ARANDELA
37 D20400506		1 WASHER	RONDELLE	SCHEIBE	ARANDELA
38 D28281771		1 SUPPORT	SUPPORT	TRAGER	SOPORTE
39 D28270235		1 PIN	GOUPILLE	STIFT	PASADOR
40*D28284891		1 PLATE	PLAQUE	PLATTE	PLATO
41*D28284892		1 PLATE	PLAQUE	PLATTE	PLATO
42*3010934X1		X RIVET	RIVET	NIET	REMACHE
43*D28280440		1 TOOL	OUTIL	WERKZEUG	HERRAMIENTA
44*D41087500		X LOCKNUT	ECROU FREIN	SICHERUNGSMUTTER	CONTRATUERCA
45*D20400506		X WASHER	RONDELLE	SCHEIBE	ARANDELA
46*D28284893		1 PLATE	PLAQUE	PLATTE	PLATO
47*D40404900		X HEX. SOCK. SCREW	VIS TETE HEX	ZYLINDERSCHRAUBE	TORN.CAB.HUECA
48*D41029700		X NUT	ECROU	MUTTER	TUERCA
49*D20400413		X WASHER	RONDELLE	SCHEIBE	ARANDELA
50*D41102100		X WASHER	RONDELLE	SCHEIBE	ARANDELA
51*D28860313		1 RETAINER	RETENEUR	HALTERING	RETENEDOR
52*D40404700		X HEX. SOCK. SCREW	VIS TETE HEX	ZYLINDERSCHRAUBE	TORN.CAB.HUECA
53*D28284820		1 HANDLE	MANCHE	GRIFF	EMPUNADURA
54*D44735900	⚡ 0,53M CPL.	X SEAL SECTION	PROFIL ETANCH	DICHTPROFIL	PORTE DE RETEN
55*D45140043	👁 1-33 No	1 CLUTCH	EMBRAYAGE	SCHALTKUPPLUNG	EMBRAGUE
56*6223377M91		1 SUPPORT	SUPPORT	TRAGER	SOPORTE



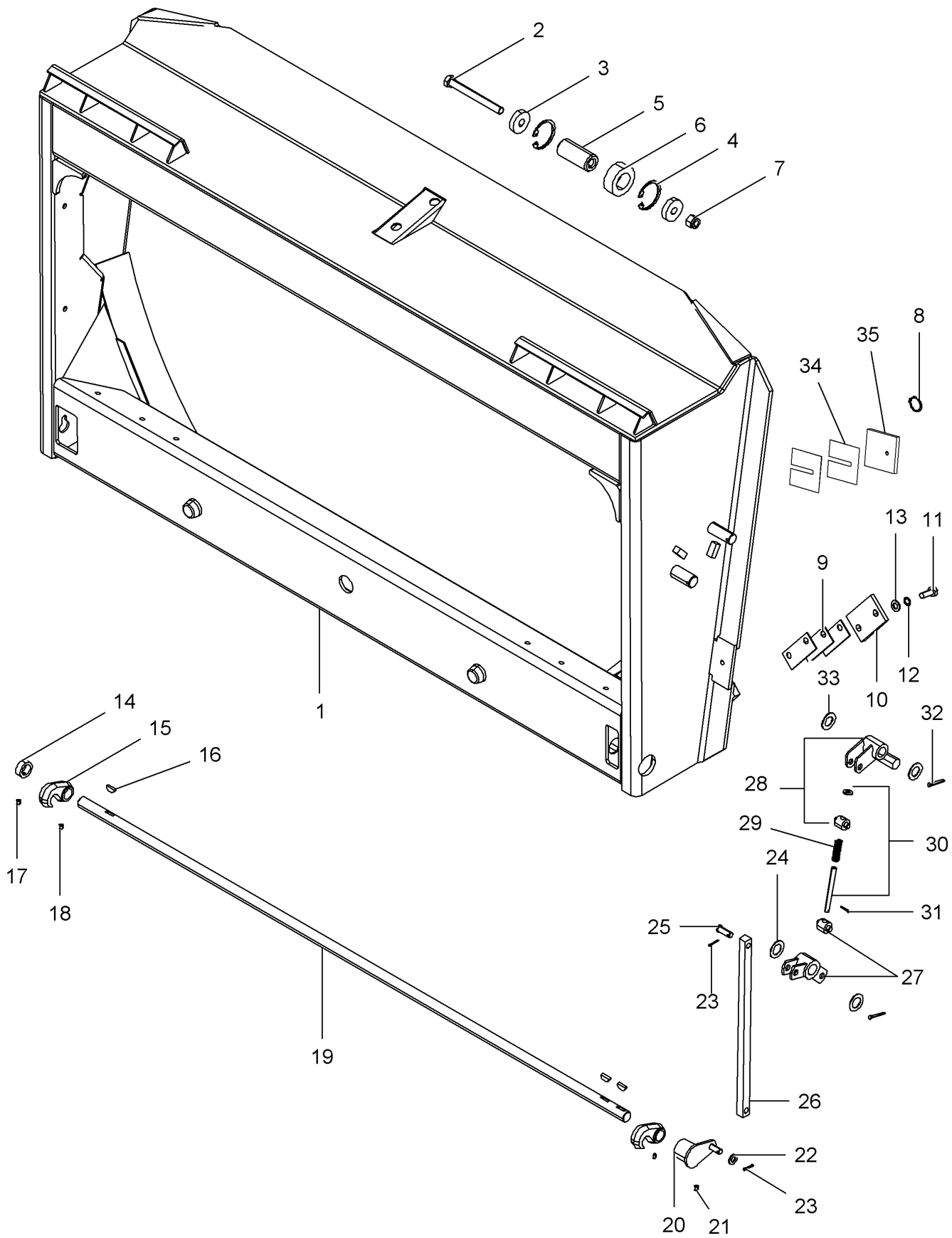
D-AAZI-001-B

1	D28274058		1	SHAFT	ARBRE	WELLE	ARBOL
2	D28281783		1	PLATE	PLAQUE	PLATTE	PLATO
3	D41102100		4	WASHER	RONDELLE	SCHEIBE	ARANDELA
4	D28284399		1	PIN	GOUPILLE	STIFT	PASADOR
5	D45120073	AUTO LEVEL	1	RAM	VERIN	HYDR.ZYLINDER	ARIETE
5	D45100029	STANDARD	1	RAM	VERIN	HYDR.ZYLINDER	ARIETE
6	D28281779		1	COVER	COUVERCLE	ABDECKUNG.	CUBIERTA
7	D20400506		4	WASHER	RONDELLE	SCHEIBE	ARANDELA
8	339123X1	●○ D40404900	4	HEX. SOCK. SCREW	VIS TETE HEX	ZYLINDERSCHRAUBE	TORN.CAB.HUECA
9	D28273942		1	CHAIN	CHAINE	KETTE	CADENA
10	D28273943		1	CHAIN	CHAINE	KETTE	CADENA
11	D28273941		2	TIE	ATTACHE	ANBINDUNG	BARRA DE ENLACE
12	D28281296		2	SUPPORT	SUPPORT	TRAGER	SOPORTE
13	D28273933		2	REINFORCEMENT	RENFORT	VERSTAERKUNG	REFUERZO
14	D28273934		2	RAIL	RAIL	SCHIENE	RIEL
15	D40600900		4	SCREW METRIC	VIS METRIQUE	SCHRAUBE METR	TORNILLO METRICO
16	D20400404		4	WASHER	RONDELLE	SCHEIBE	ARANDELA
17	D41087400		4	LOCKNUT	ECROU FREIN	SICHERUNGSMUTTER	CONTRATUERCA
18	D28273929		2	REINFORCEMENT	RENFORT	VERSTAERKUNG	REFUERZO
19*	D28273924		1	RAIL	RAIL	SCHIENE	RIEL
20	D47000100		1	GASKET	JOINT	FLACHDICHTUNG	JUNTA PLANA
21	D20400423		2	FLAT WASHER	RONDELLE PLATE	UNTERLEGSCHIEBEN	ARANDELA PLANA
22	D41010900		2	NUT	ECROU	MUTTER	TUERCA
23	D42515400		2	CIRCLIP	CIRCLIP	SEEGERING	GRAPA CIRCULAR
24	D41623100		2	BEAR. 6208 2RS	RLT 6208 2RS	LAGER 6208 2RS	RODA. 6208 2RS
25	D40070100		1	SCREW SPECIAL	VIS SPECIALE	SPEZIALSCHRAUBE	TORNILLO ESPEC.
26	D28273928		1	SPROCKET	BARBOTIN	KETTENRAD	RUEDA DE CADENA
27	D28270234		1	BUSH	BAGUE	RING	CASQUILLO
28	D20400674		1	WASHER	RONDELLE	SCHEIBE	ARANDELA
29	D41049100		1	CASTLE NUT	ECROU A CRENEAU	KRONENMUTTER	TUERCA CON MUES.
30	D41411100		1	SPLIT PIN	GOUPILLE FENDUE	SPALTBOLZEN	PASADOR HENDIDO
31*	D28284824		1	BRACKET	SUPPORT FIXATION	HALTEAM	SOPORTE



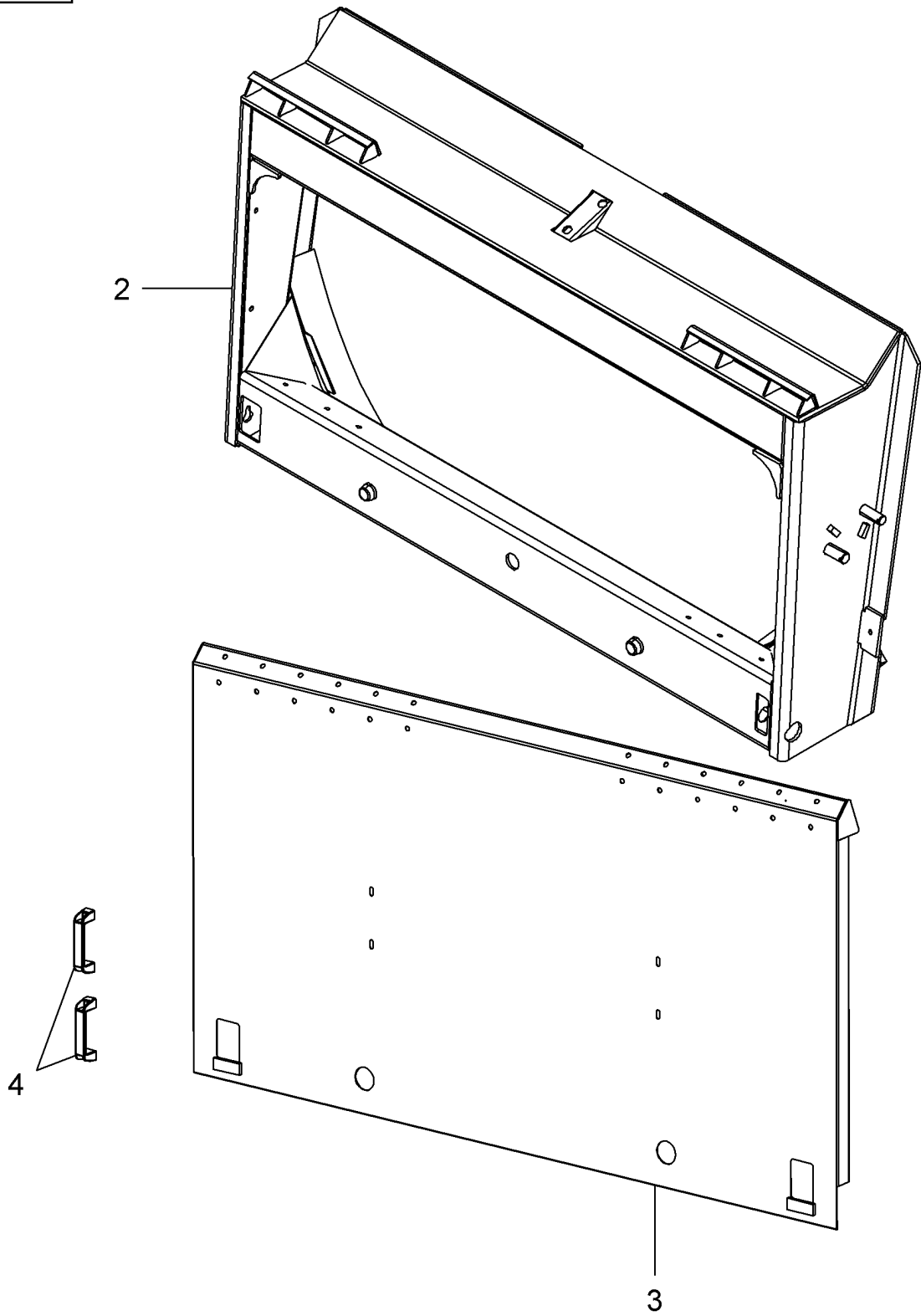
D-AAZH-001-B

1 D28282715		1 FRAME	BATI	RAHMEN	BASTIDOR
2 D40435100		1 SCREW	VIS	SCHRAUBE	TORNILLO
3 D28280441		2 WASHER	RONDELLE	SCHEIBE	ARANDELA
4 D42514800		2 CIRCLIP	CIRCLIP	SEEGERING	GRAPA CIRCULAR
5 D28281782		1 PIN	GOUPILLE	STIFT	PASADOR
6 D45698700		1 TOGGLE	ROTULE	GELENKZAPFEN	ROTULA
7 D41087900		1 LOCKNUT	ECROU FREIN	SICHERUNGSMUTTER	CONTRATUERCA
8 D42502800		1 CIRCLIP	CIRCLIP	SEEGERING	GRAPA CIRCULAR
9 D28281810		6 SHIM	CALE REGLAGE	AUSGLEICHSCHEIBE	CALCE
10 D28281781		2 PLATE	PLAQUE	PLATTE	PLATO
11 D40410900		1 HEX. SOCK. SCREW	VIS TETE HEX	ZYLINDERSCHRAUBE	TORN.CAB.HUECA
12 D41100900		1 SPRING WASHER	RONDELLE ELASTIQ	FEDERSCHLEIBE	ARANDELA ELASTI.
13 D20400426		1 WASHER	RONDELLE	SCHEIBE	ARANDELA
14 D28270233		1 BUSH	BAGUE	RING	CASQUILLO
14*6205713M1	➔ 61935	1 BUSH	BAGUE	RING	CASQUILLO
15 D28270229		2 HOOK	CROCHET	HAKEN	GANCHO
15*71317841	➔ 61935	2 HOOK	CROCHET	HAKEN	GANCHO
16 D43172050		3 KEY	CLAVETTE	STELLKEIL	CHAVETA
17 D40200650		1 SCREW	VIS	SCHRAUBE	TORNILLO
18 D40200750		1 ROLL PIN	GOUPILLE ROULEE	SPANNHUELSE	PASADOR ELASTICO
19 D28270230		1 AXLE	ESSIEU	ACHSE	EJE
19*054409P1	➔ 61935	1 AXLE	ESSIEU	ACHSE	EJE
20 D28270228		1 CRANK	MANIVELLE	KURBEL	MANIVELA
20*D28274175	➔ 61490	1 CRANK	MANIVELLE	KURBEL	MANIVELA
20*71375564	➔ 61935	1 CRANK	MANIVELLE	KURBEL	MANIVELA
21 D40202850		1 ROLL PIN	GOUPILLE ROULEE	SPANNHUELSE	PASADOR ELASTICO
22 D20400426		1 WASHER	RONDELLE	SCHEIBE	ARANDELA
23 D41405800		1 SPLIT PIN	GOUPILLE FENDUE	SPALTBOLZEN	PASADOR HENDIDO
24 D20400530		1 SPACER	ENTRETOISE	ABSTANDSTUECK	DISCO ESPACIADOR
25 D45905950		1 PIN	GOUPILLE	STIFT	PASADOR
26 D28270241		1 LEVER	LEVIER	HEBEL	PALANCA
26*054410P1	➔ 61935	1 LEVER	LEVIER	HEBEL	PALANCA
27 D28270227		1 PIVOT	PIVOT	DREHZAPFEN.	PIVOTE
27*71375559	➔ 61935	1 PIVOT	PIVOT	DREHZAPFEN.	PIVOTE
28 D28270226		1 LATCH	VERROU	KLINKE	TOPE
28*71375556	➔ 61935	1 CRANK	MANIVELLE	KURBEL	MANIVELA
29 D28270243		1 SPRING	RESSORT	FEDER	MUELLE
29*71314833	➔ 61935	1 SPRING	RESSORT	FEDER	MUELLE
30 D28270225		1 SPRING	RESSORT	FEDER	MUELLE
30*71314843	➔ 61935	1 SPRING	RESSORT	FEDER	MUELLE
31 D41405800		1 SPLIT PIN	GOUPILLE FENDUE	SPALTBOLZEN	PASADOR HENDIDO
32 D41410800		1 SPLIT PIN	GOUPILLE FENDUE	SPALTBOLZEN	PASADOR HENDIDO
33 D20400468		4 WASHER	RONDELLE	SCHEIBE	ARANDELA
34*060305P1	➔ 61935	4 SHIM	CALE REGLAGE	AUSGLEICHSCHEIBE	CALCE
35*060289P1	➔ 61935	2 PLATE	PLAQUE	PLATTE	PLATO

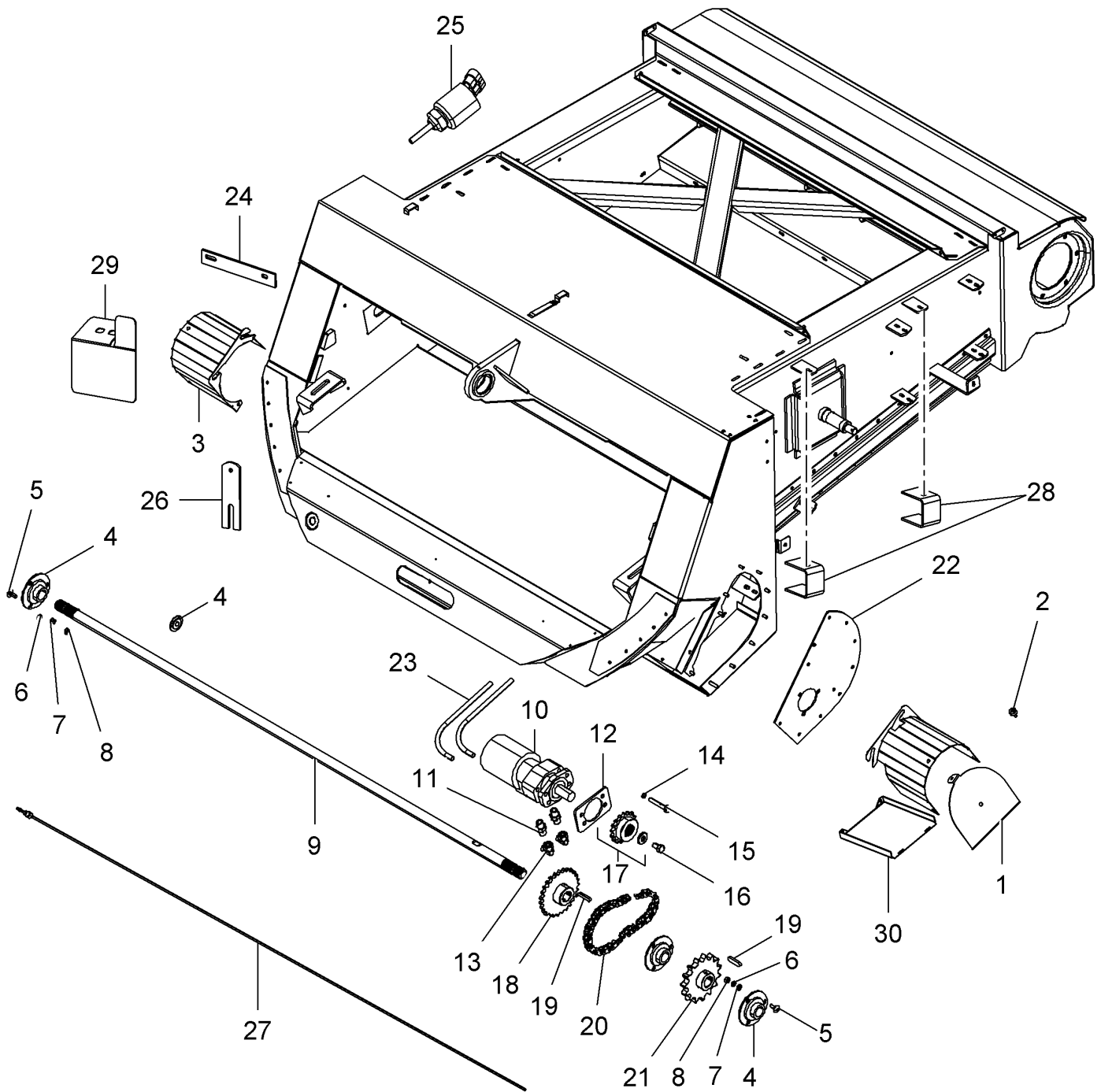


D-AAZH-002-B

1 D28282715		1 FRAME	BATI	RAHMEN	BASTIDOR
2 D40435100		1 SCREW	VIS	SCHRAUBE	TORNILLO
3 D28280441		2 WASHER	RONDELLE	SCHEIBE	ARANDELA
4 D42514800		2 CIRCLIP	CIRCLIP	SEEGERING	GRAPA CIRCULAR
5 D28281782		1 PIN	GOUPILLE	STIFT	PASADOR
6 D45698700		1 TOGGLE	ROTULE	GELENKZAPFEN	ROTULA
7 D41087900		1 LOCKNUT	ECROU FREIN	SICHERUNGSMUTTER	CONTRATUERCA
8 D42502800		1 CIRCLIP	CIRCLIP	SEEGERING	GRAPA CIRCULAR
9 D28281810		6 SHIM	CALE REGLAGE	AUSGLEICHSCHIEBE	CALCE
10 D28281781		2 PLATE	PLAQUE	PLATTE	PLATO
11 D40410900		1 HEX. SOCK. SCREW	VIS TETE HEX	ZYLINDERSCHRAUBE	TORN.CAB.HUECA
12 D41100900		1 SPRING WASHER	RONDELLE ELASTIQ	FEDERSCHIEBE	ARANDELA ELASTI.
13 D20400426		1 WASHER	RONDELLE	SCHEIBE	ARANDELA
14 D28270233		1 BUSH	BAGUE	RING	CASQUILLO
14*6205713M1	➔ 61935	1 BUSH	BAGUE	RING	CASQUILLO
15 D28270229		1 HOOK	CROCHET	HAKEN	GANCHO
15*71317841	➔ 61935	2 HOOK	CROCHET	HAKEN	GANCHO
16 D43172050		3 KEY	CLAVETTE	STELLKEIL	CHAVETA
17 D40200650		1 SCREW	VIS	SCHRAUBE	TORNILLO
18 D40200750		1 ROLL PIN	GOUPILLE ROULEE	SPANNHUELSE	PASADOR ELASTICO
19 D28270230		1 AXLE	ESSIEU	ACHSE	EJE
19*054409P1	➔ 61935	1 AXLE	ESSIEU	ACHSE	EJE
20 D28270228		1 CRANK	MANIVELLE	KURBEL	MANIVELA
20*D28274175	➔ 61490	1 CRANK	MANIVELLE	KURBEL	MANIVELA
20*71375564	➔ 61935	1 CRANK	MANIVELLE	KURBEL	MANIVELA
21 D40202850		1 ROLL PIN	GOUPILLE ROULEE	SPANNHUELSE	PASADOR ELASTICO
22 D20400426		1 WASHER	RONDELLE	SCHEIBE	ARANDELA
23 D41405800		1 SPLIT PIN	GOUPILLE FENDUE	SPALTBOLZEN	PASADOR HENDIDO
24 D20400530		1 SPACER	ENTRETOISE	ABSTANDSTUECK	DISCO ESPACIADOR
25 D45905950		1 PIN	GOUPILLE	STIFT	PASADOR
26 D28270241		1 LEVER	LEVIER	HEBEL	PALANCA
26*054410P1	➔ 61935	1 LEVER	LEVIER	HEBEL	PALANCA
27 D28270227		1 PIVOT	PIVOT	DREHZAPFEN.	PIVOTE
27*71375559	➔ 61935	1 PIVOT	PIVOT	DREHZAPFEN.	PIVOTE
28 D28270226		1 LATCH	VERROU	KLINKE	TOPE
28*71375556	➔ 61935	1 CRANK	MANIVELLE	KURBEL	MANIVELA
29 D28270243		1 SPRING	RESSORT	FEDER	MUELLE
29*71314833	➔ 61935	1 SPRING	RESSORT	FEDER	MUELLE
30 D28270225		1 SPRING	RESSORT	FEDER	MUELLE
30*71314843	➔ 61935	1 SPRING	RESSORT	FEDER	MUELLE
31 D41405800		1 SPLIT PIN	GOUPILLE FENDUE	SPALTBOLZEN	PASADOR HENDIDO
32 D41410800		1 SPLIT PIN	GOUPILLE FENDUE	SPALTBOLZEN	PASADOR HENDIDO
33 D20400468		4 WASHER	RONDELLE	SCHEIBE	ARANDELA
34*060305P1	➔ 61935	4 SHIM	CALE REGLAGE	AUSGLEICHSCHIEBE	CALCE
35*060289P1	➔ 61935	2 PLATE	PLAQUE	PLATTE	PLATO



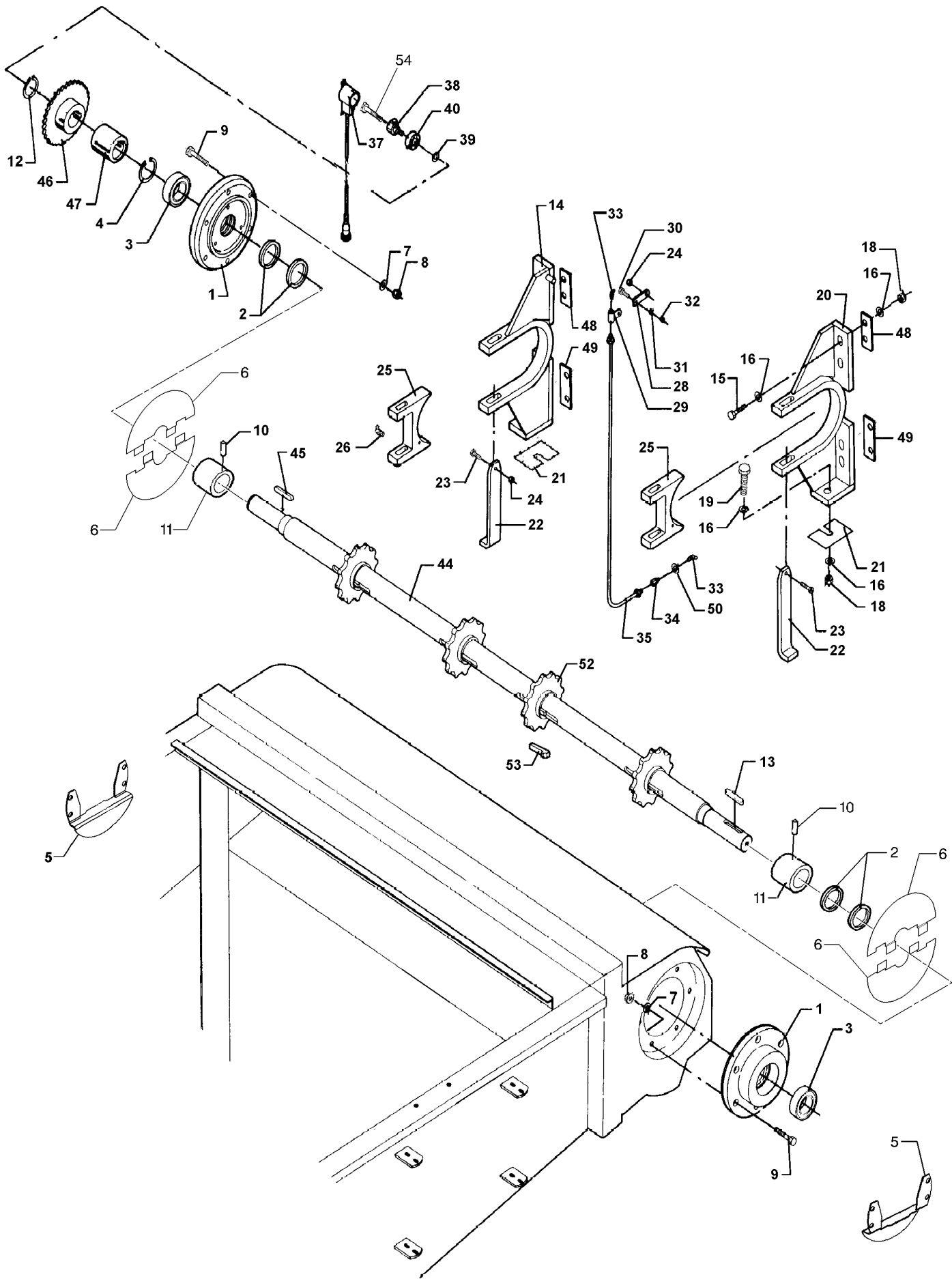
2	D28273917	[A]	1	ADAPTOR	ADAPTATEUR	REDUZIERNIPPEL	ADAPTADOR
2	D28273918	[B]	1	ADAPTOR	ADAPTATEUR	REDUZIERNIPPEL	ADAPTADOR
3	D28286291		1	COVER	COUVERCLE	ABDECKUNG.	CUBIERTA
4	D43386900		2	GRIP	POIGNEE	HANDGRIFF	MANGO
[A]	STANDARD						
	NORMALE						
	STANDARD						
	STANDARD						
[B]	AUTO LEVEL						
	AUTO LEVEL						
	AUTO LEVEL						
	AUTO LEVEL						



D-ZCZJ-003-B

1	D28284826	2	SHIELD	TOLE	SCHILD	BLINDAJE
2	D43385200	2	SCREW	VIS	SCHRAUBE	TORNILLO
3	D28284829	2	SHIELD	TOLE	SCHILD	BLINDAJE
4	D41707800	4	BEARING	COUSSINET	LAGER	COJINETE
5	D40066700	2	SCREW SPECIAL	VIS SPECIALE	SPEZIALSCHRAUBE	TORNILLO ESPEC.
6	D20400507	2	SPACER	ENTRETOISE	ABSTANDSTUECK	DISCO ESPACIADOR
7	D41101900	2	SPRING WASHER	RONDELLE ELASTIQ	FEDERSCHEIBE	ARANDELA ELASTI.
8	D41010800	2	NUT	ECROU	MUTTER	TUERCA
9	D28274058	1	SHAFT	ARBRE	WELLE	ARBOL
9	D28284815	1	SHAFT	ARBRE	WELLE	ARBOL
10	D45120025	1	ENGINE	MOTEUR	MOTOR	MOTOR
11	D45257300	2	UNION	RACCORD	VERSCHRAUBUNG	RACOR
12	D28273811	1	PLATE	PLAQUE	PLATTE	PLATO
13	D45264100	2	UNION	RACCORD	VERSCHRAUBUNG	RACOR
14	D41100900	1	SPRING WASHER	RONDELLE ELASTIQ	FEDERSCHEIBE	ARANDELA ELASTI.
15	D40468050	1	SCREW	VIS	SCHRAUBE	TORNILLO
16	D40458300	1	SCREW	VIS	SCHRAUBE	TORNILLO
17	D28281981	1	SPROCKET	BARBOTIN	KETTENRAD	RUEDA DE CADENA
18	D28284812	1	SPROCKET	BARBOTIN	KETTENRAD	RUEDA DE CADENA
19	D43105850	2	PIN	GOUPILLE	STIFT	PASADOR
20	D28273804	1	CHAIN	CHAINE	KETTE	CADENA
21	D28273932	1	SPROCKET	BARBOTIN	KETTENRAD	RUEDA DE CADENA
22	D28273806	1	PLATE	PLAQUE	PLATTE	PLATO
23	D45130035	2	HYDRAULIC HOSE	DURITE HYDRAULIC	HYDRAUL.SCHLAUCH	TUBO HYDRAULICO
23*	D45130142	2	HOSE	DURITE	SCHLAUCH	TUBO DE GOMA
24	D28286106	1	COVER	COUVERCLE	ABDECKUNG.	CUBIERTA
25	D28782915	1	POTENTIOMETER	POTENTIOMETRE	POTENTIOMETER	REGULADOR ELECT.
26	D28286105	1	CHOCK	CALE	UNTERLEG-KEIL	CALZA
27	D28274789	1	PIPE	TUYAU	TUBE	TUBO
28	D28286268	1	SUPPORT	SUPPORT	TRAGER	SOPORTE
29	D28284830	2	SHIELD	TOLE	SCHILD	BLINDAJE
30	D28284827	2	PLATE	PLAQUE	PLATTE	PLATO

➔ 61490

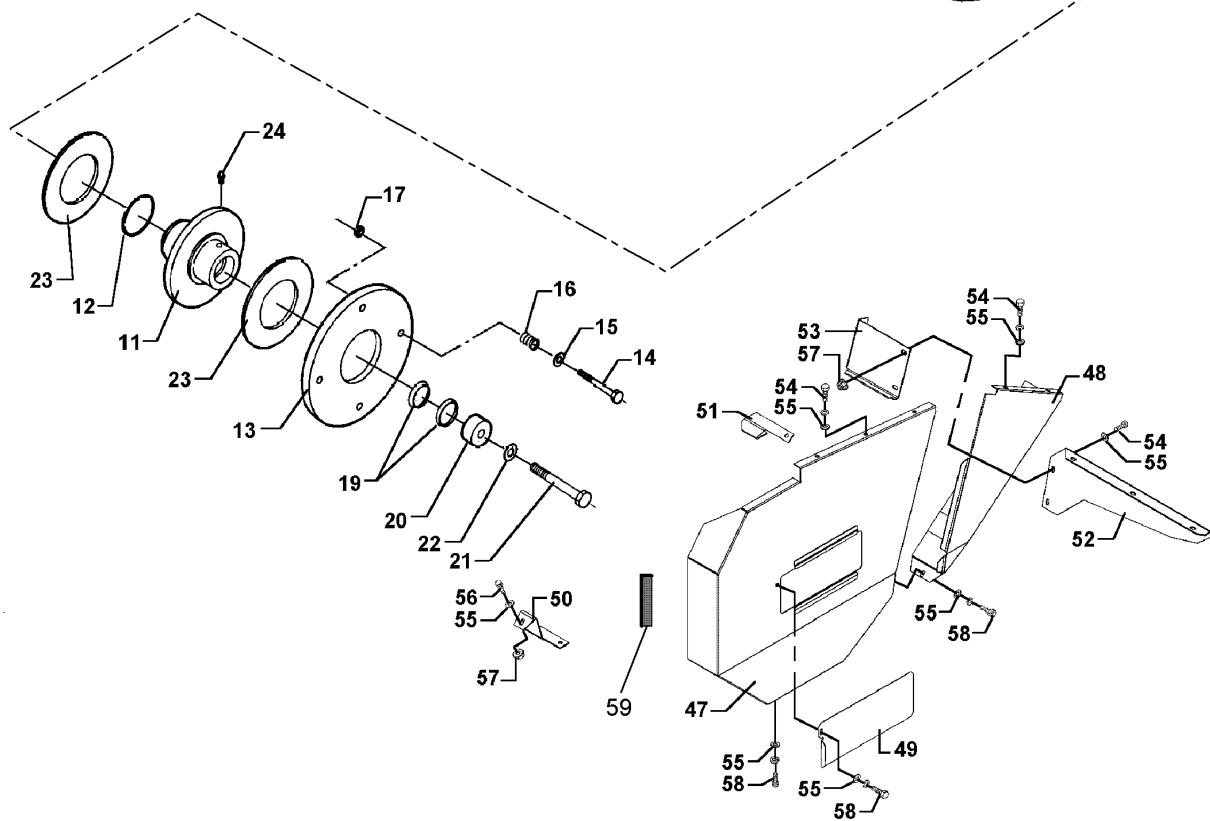
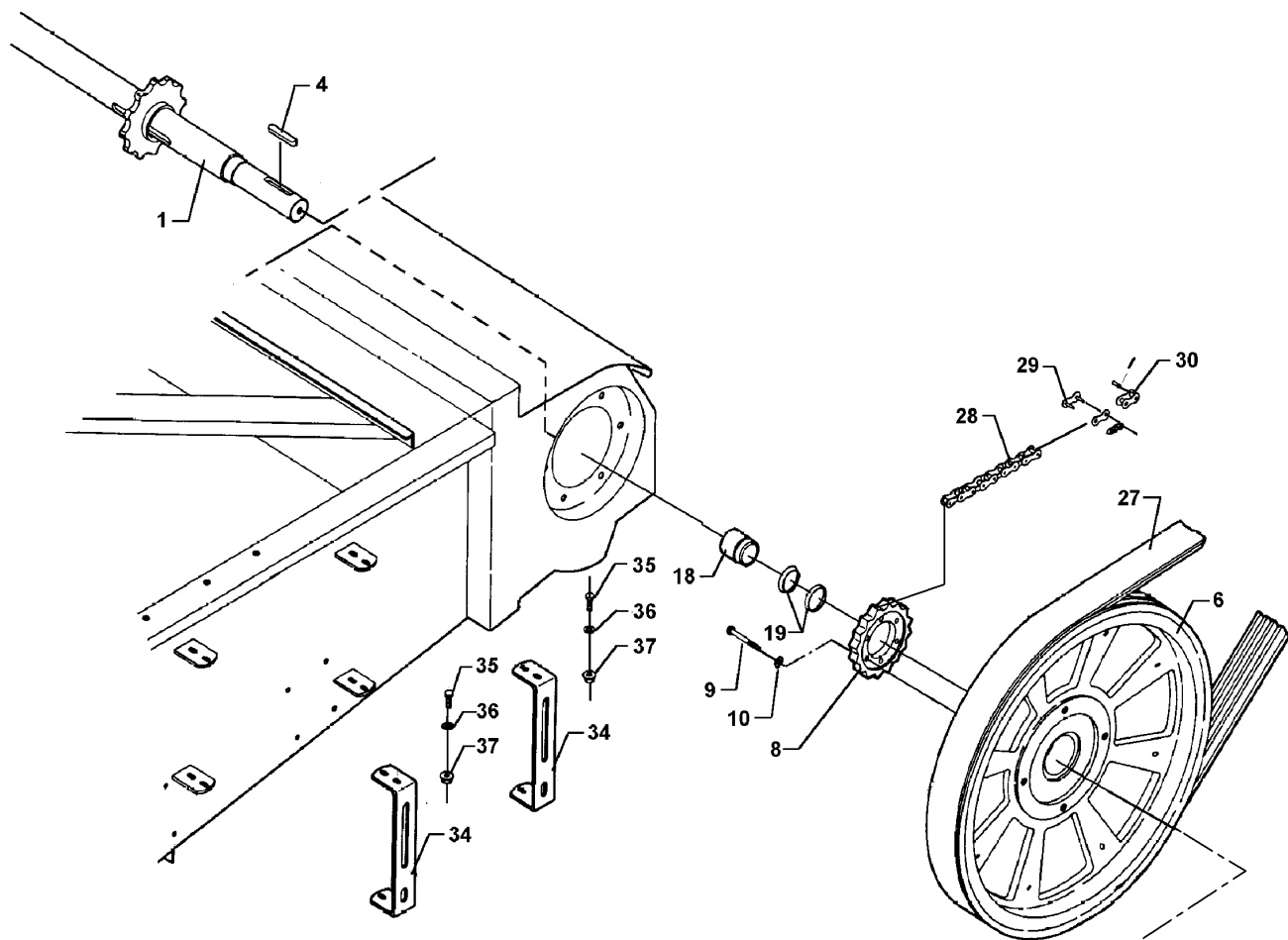


D-ZCZA-004-B

1	D28280112		2	BEARING	COUSSINET	LAGER	COJINETE
2	D43501500		4	FELT RING	BAGUE FEUTRE	FILZRING	ANILLA FIENTRO
3	1440572X1	▶	2	BEAR. 6210 2RS	RLT 6210 2RS	LAGER 6210 2RS	RODA. 6210 2RS
4	1440516X1	◀	1	CIRCLIP	CIRCLIP	SEEGERING	GRAPA CIRCULAR
5				NOT USED	NON UTILISE	NICHT VERWENDET	NO SE USA
6	D28285386		4	COVER	COUVERCLE	ABDECKUNG.	CUBIERTA
7	D20400426		12	WASHER	RONDELLE	SCHEIBE	ARANDELA
8	1442190X1	M12	12	LOCKNUT	ECROU FREIN	SICHERUNGSMUTTER	CONTRATUERCA
9	D40694100		12	SCREW	VIS	SCHRAUBE	TORNILLO
10	D40632000		2	STUD	GOUJON	STEBBOLZEN	ESPARRAGO ROSCA.
11	D28286108		2	INSERT	DOUILLE	EINSATZSTUECK	INSERCIION
12	391129X1		1	CIRCLIP	CIRCLIP	SEEGERING	GRAPA CIRCULAR
13	D43107900		1	KEY	CLAVETTE	STELLKEIL	CHAVETA
14	D28281309		1	BEARING	COUSSINET	LAGER	COJINETE
15	391889X1	M16 X 70	8	HEX. SOCK. SCREW	VIS TETE HEX	ZYLINDERSCHRAUBE	TORN.CAB.HUECA
16	D28181284		20	WASHER	RONDELLE	SCHEIBE	ARANDELA
18	1442739X1	M16	5	LOCKNUT	ECROU FREIN	SICHERUNGSMUTTER	CONTRATUERCA
19	D40433700		1	SCREW	VIS	SCHRAUBE	TORNILLO
20	D28280984		1	BEARING	COUSSINET	LAGER	COJINETE
21	D28280142		12	SHIM	CALE REGLAGE	AUSGLEICHSCHLEIBE	CALCE
22	D28280138		2	PIN	GOUPILLE	STIFT	PASADOR
23	339337X1	M8 X 30	1	HEX. SOCK. SCREW	VIS TETE HEX	ZYLINDERSCHRAUBE	TORN.CAB.HUECA
24	394367X1	M8	2	NUT	ECROU	MUTTER	TUERCA
25	D28281552		2	STOP	BUTEE	ANSCHLAG	PARO
26	D43002700		2	GREASE FITTING	GRAISSEUR	DRUCKSCHMIERKOPF	ENGRASADOR
28	D28281478		1	MOUNTING	MONTANT	HALTERUNG	MONTANTE
29	D43009200		1	BRACKET	SUPPORT FIXATION	HALTEARM	SOPORTE
30	339666X1	M6 X 20	1	HEX. SOCK. SCREW	VIS TETE HEX	ZYLINDERSCHRAUBE	TORN.CAB.HUECA
31	D20400404		1	WASHER	RONDELLE	SCHEIBE	ARANDELA
32	1441462X1	M6	1	LOCKNUT	ECROU FREIN	SICHERUNGSMUTTER	CONTRATUERCA
33	D43002700		2	GREASE FITTING	GRAISSEUR	DRUCKSCHMIERKOPF	ENGRASADOR
34	D43009500		1	CONNECTOR	BORNE.	DOPPELNIPPEL	CONECTOR
35	D28281479		1	TUBE	TUBE	ROHR	TUBO.
37	D28780514		1	SENSOR	DETECTEUR	SENSOR	DETECTOR
38	D28780516		1	INDUCTIVE SENSOR	CAPTEUR INDUCTIF	INDUKT EMPFANGER	CAPTADOR INDUCTI
39	D20400419		1	WASHER	RONDELLE	SCHEIBE	ARANDELA
40	1440487X1		1	BEAR. 6203 2RS	RLT 6203 2RS	LAGER 6203 2RS	RODA. 6203 2RS
44	D28283598	CPL.	1	SHAFT	ARBRE	WELLE	ARBOL
44	D28283593		1	SHAFT	ARBRE	WELLE	ARBOL
45	D43107500		1	KEY	CLAVETTE	STELLKEIL	CHAVETA
46	D28283544		1	SPROCKET	BARBOTIN	KETTENRAD	RUEDA DE CADENA
47	D28283846	[A]	1	BUSH	BAGUE	RING	CASQUILLO
47	D28283545	[B]	1	SPACER	ENTRETOISE	ABSTANDSTUECK	DISCO ESPACIADOR
48	D28281663		2	SUPPORT	SUPPORT	TRAGER	SOPORTE
49	D28281662		2	SUPPORT	SUPPORT	TRAGER	SOPORTE
50	D20400453		1	WASHER	RONDELLE	SCHEIBE	ARANDELA
52	D28282479	44	4	SPROCKET	BARBOTIN	KETTENRAD	RUEDA DE CADENA
53	D43162000	44	4	GIB KEY	CLAVETTE A TALON	NASENKEIL	CHAVETA EN CUNA
54	D40692400		1	SCREW	VIS	SCHRAUBE	TORNILLO

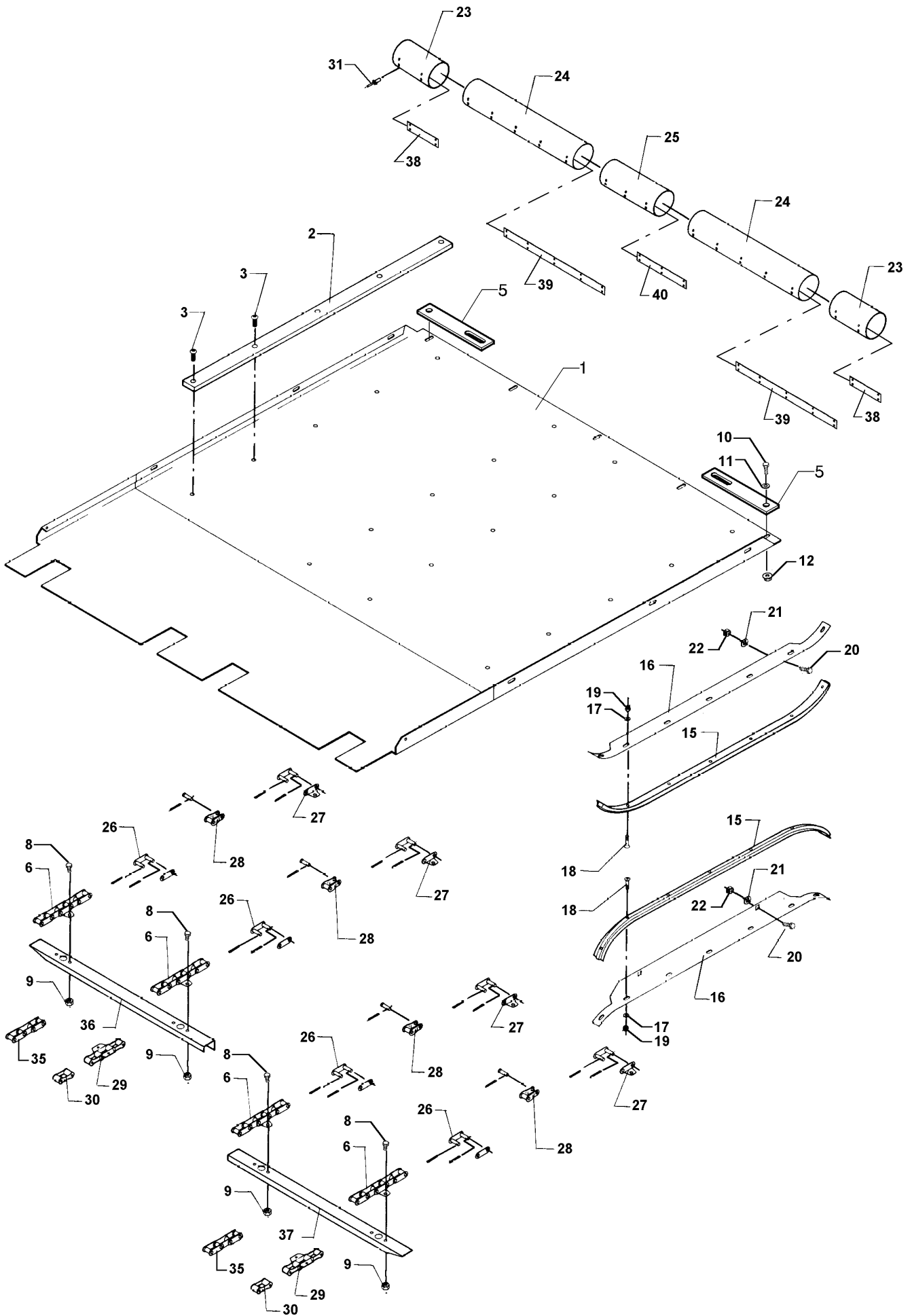
[A] WITH ELECTRIC REVERSING GEAR
 AVEC INVERSEUR ELECTRIQUE
 MIT ELEKTRISCHER REVERSIEREINRICHTUNG
 CON INVERSOR ELECTRICO

[B] WITH HYDRAULIC REVERSING GEAR
 AVEC INVERSEUR HYDRAULIQUE
 MIT HYDRAULIK REVERSIEREINRICHTUNG
 CON INVERSOR HIDRAULICO



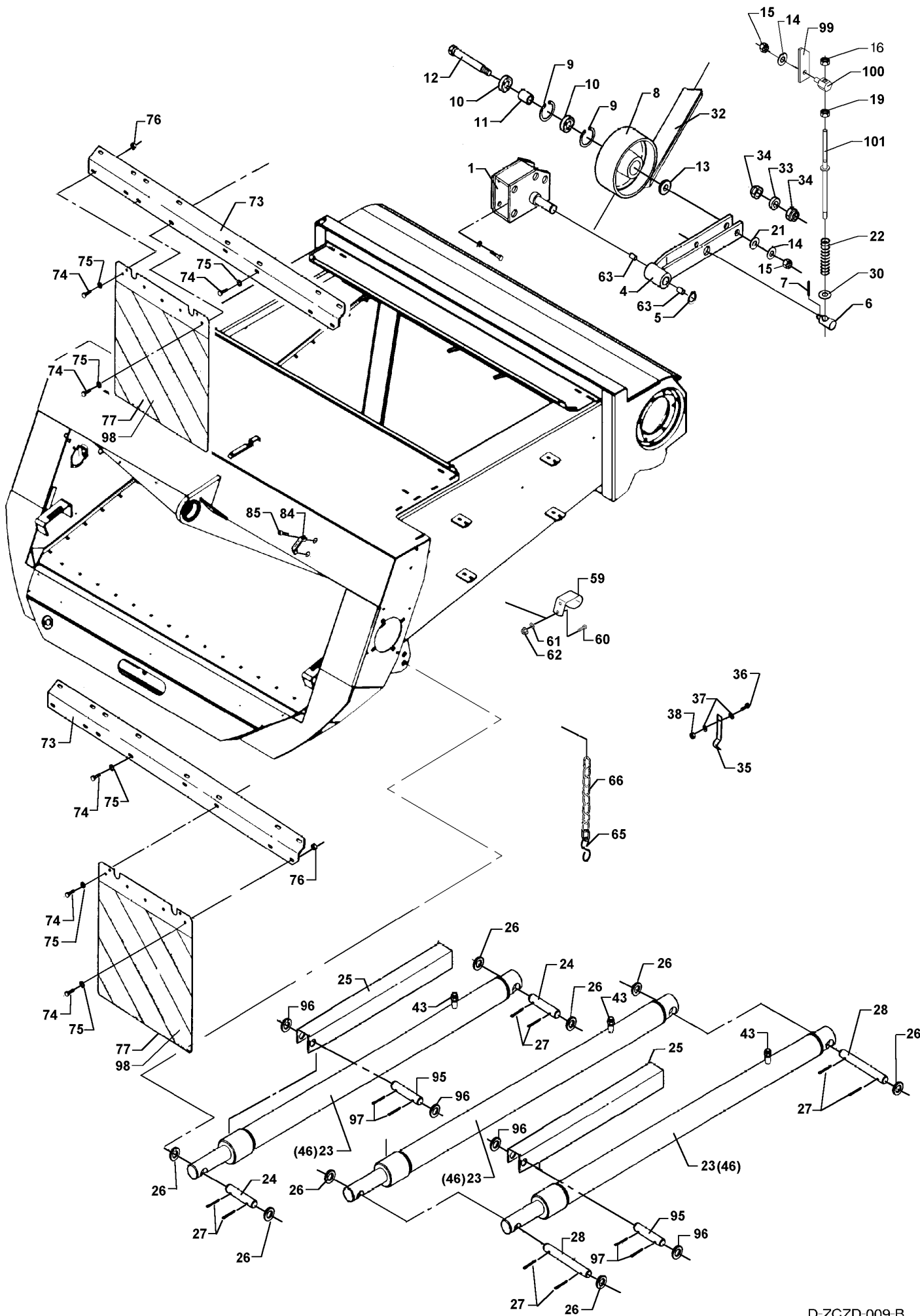
D-ZCZC-004-C

1 D28283598	CPL.	1 SHAFT	ARBRE	WELLE	ARBOL
1 D28283593		1 SHAFT	ARBRE	WELLE	ARBOL
4 D43107900		4 KEY	CLAVETTE	STELLKEIL	CHAVETA
6 D28280120		1 PULLEY	POULIE	RIEMENSCHLEIBE	POLEA
8 D28281618		1 SPROCKET	BARBOTIN	KETTENRAD	RUEDA DE CADENA
9 339814X1	M10 X 35	6 HEX. SOCK. SCREW	VIS TETE HEX	ZYLINDERSCHRAUBE	TORN.CAB.HUECA
10 D20400471		6 WASHER	RONDELLE	SCHEIBE	ARANDELA
11 D28280118		1 HUB	MOYEU	NABE	CUBO
12 D45481200		1 O RING	JOINT TORIQUE	O-RING	JUNTA TOROIDAL
13 D28280116		1 PLATE	PLAQUE	PLATTE	PLATO
14 390826X1	M12 X 100	4 HEX. SOCK. SCREW	VIS TETE HEX	ZYLINDERSCHRAUBE	TORN.CAB.HUECA
15 D28251025		4 WASHER	RONDELLE	SCHEIBE	ARANDELA
16 D28286052		4 COMP.SPRING	RESSORT DE COMPR	DRUCKFEDER	RESORTE DE COMP.
17 D41012100		4 LOCKNUT	ECROU FREIN	SICHERUNGSMUTTER	CONTRATUERCA
18 D28280252		1 RING	ANNEAU	RING.	ANILLO
19 D42596900		2 TIGHTENER	TENSEUR	SPANNROLLE	TENSADOR
20 D28280261		1 RING	ANNEAU	RING.	ANILLO
21 339214X1	M16 X 50	1 HEX. SOCK. SCREW	VIS TETE HEX	ZYLINDERSCHRAUBE	TORN.CAB.HUECA
22 D20400459		1 WASHER	RONDELLE	SCHEIBE	ARANDELA
23 D45904300		1 FRICTION DISC	DISQUE FRICTION	REIBSCHEIBE	DISCO FRICCION
24 3008923X1		1 GREASE FITTING	GRAISSEUR	DRUCKSCHMIERKOPF	ENGRASADOR
27 D41979800		1 BELT	COURROIE	RIEMEN	CORREA
28 D42334600		1 CHAIN	CHAINE	KETTE	CADENA
29 D42367700		1 CONNECTING LINK	BARRE CONNEXION	VERSCHLUSSGLIED	MALLA UNION
30 D42367800		1 LINK	MAILLON	GLIED	ESLABON
34 D28281296		2 SUPPORT	SUPPORT	TRAGER	SOPORTE
35 339761X1	M8 X 25	8 HEX. SOCK. SCREW	VIS TETE HEX	ZYLINDERSCHRAUBE	TORN.CAB.HUECA
36 D20400506		8 WASHER	RONDELLE	SCHEIBE	ARANDELA
37 394367X1	M8	8 NUT	ECROU	MUTTER	TUERCA
47 D28186327		1 SHIELD	TOLE	SCHILD	BLINDAJE
48 D28186691	◀	1 SHIELD	TOLE	SCHILD	BLINDAJE
49 D28184441		1 COVER	COUVERCLE	ABDECKUNG.	CUBIERTA
50 D28181107		1 BRACKET	SUPPORT FIXATION	HALTEAM	SOPORTE
51 D28181106		1 BRACKET	SUPPORT FIXATION	HALTEAM	SOPORTE
52 D28185321		1 BRACKET	SUPPORT FIXATION	HALTEAM	SOPORTE
53 D28181126		1 BRACKET	SUPPORT FIXATION	HALTEAM	SOPORTE
54 339123X1	M8 X 20	X HEX. SOCK. SCREW	VIS TETE HEX	ZYLINDERSCHRAUBE	TORN.CAB.HUECA
55 D20400506		X WASHER	RONDELLE	SCHEIBE	ARANDELA
56 339761X1	M8 X 25	X HEX. SOCK. SCREW	VIS TETE HEX	ZYLINDERSCHRAUBE	TORN.CAB.HUECA
57 394367X1	M8	X NUT	ECROU	MUTTER	TUERCA
58 D40476100	M8 X 20	2 HEX. SOCK. SCREW	VIS TETE HEX	ZYLINDERSCHRAUBE	TORN.CAB.HUECA
59* D44735900	⚡ 0,7M	1 SEAL SECTION	PROFIL ETANCH	DICHTPROFIL	PARTE DE RETEN



D-ZCZB-004-A

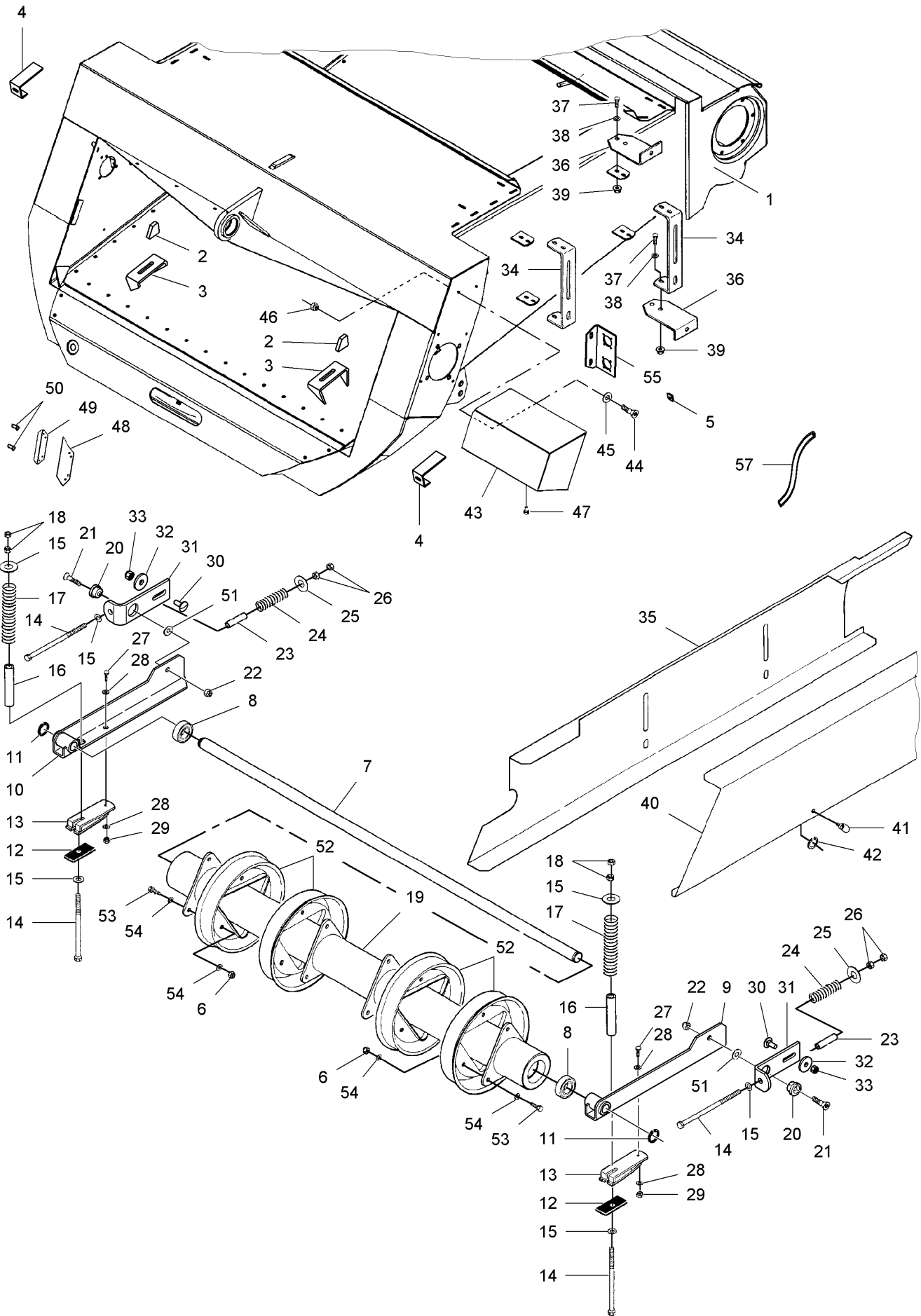
1	D28281705		1	PLATE	PLAQUE	PLATTE	PLATO
2	D28281247		4	GUIDE	GUIDE	FUEHRUNG	GUIA
3	D40685000		20	SCREW	VIS	SCHRAUBE	TORNILLO
5	D28286106		2	COVER	COUVERCLE	ABDECKUNG.	CUBIERTA
6	D28285326	38,4 MM	4	CHAIN	CHAINE	KETTE	CADENA
6	D28286407	▶ CPL.	1	CHAIN	CHAINE	KETTE	CADENA
6	D28286408	◀ CPL.	1	CHAIN	CHAINE	KETTE	CADENA
8	3009491X1	6 M10 X 20	160	HEX. SOCK. SCREW	VIS TETE HEX	ZYLINDERSCHRAUBE	TORN.CAB.HUECA
9	1440329X1	6 M10	160	LOCKNUT	ECROU FREIN	SICHERUNGSMUTTER	CONTRATUERCA
10	339123X1	M8 X 20	13	HEX. SOCK. SCREW	VIS TETE HEX	ZYLINDERSCHRAUBE	TORN.CAB.HUECA
11	D20400506		13	WASHER	RONDELLE	SCHEIBE	ARANDELA
12	394367X1	M8	5	NUT	ECROU	MUTTER	TUERCA
15	D28281557	15	2	RAIL	RAIL	SCHIENE	RIEL
15	D28280540		2	RAIL	RAIL	SCHIENE	RIEL
16	D28281315	15	2	REINFORCEMENT	RENFORT	VERSTAERKUNG	REFUERZO
17	D20400404	15	14	WASHER	RONDELLE	SCHEIBE	ARANDELA
18	D40600900	15	14	SCREW METRIC	VIS METRIQUE	SCHRAUBE METR	TORNILLO METRICO
19	1441462X1	15 M6	14	LOCKNUT	ECROU FREIN	SICHERUNGSMUTTER	CONTRATUERCA
20	390787X1	M12 X 25	4	SCREW SPECIAL	VIS SPECIALE	SPEZIALSCHRAUBE	TORNILLO ESPEC.
21	D20400423		4	FLAT WASHER	RONDELLE PLATE	UNTERLEGSCHIEBEN	ARANDELA PLANA
22	3009695X1	M12	4	NUT	ECROU	MUTTER	TUERCA
23	D28286107		2	PROTECTOR	PROTECTEUR	SCHUTZ	PROTECTOR
24	D28281840		2	PROTECTOR	PROTECTEUR	SCHUTZ	PROTECTOR
25	D28281874		2	PROTECTOR	PROTECTEUR	SCHUTZ	PROTECTOR
26	D42350800	6	4	CONNECTING LINK	BARRE CONNEXION	VERSCHLUSSGLIED	MALLA UNION
27	D42350700		1	CONNECTING LINK	BARRE CONNEXION	VERSCHLUSSGLIED	MALLA UNION
28	D42350900	6	8	LINK	MAILLON	GLIED	ESLABON
29	D42350600		1	LINK	MAILLON	GLIED	ESLABON
30	D42354900		1	LINK	MAILLON	GLIED	ESLABON
31				NOT USED	NON UTILISE	NICHT VERWENDET	NO SE USA
35				NOT USED	NON UTILISE	NICHT VERWENDET	NO SE USA
36	D28285406	6 ▶	20	SLAT	LATTE	LATTE.	LISTON
37	D28285407	6 ◀	20	SLAT	LATTE	LATTE.	LISTON
38				NOT USED	NON UTILISE	NICHT VERWENDET	NO SE USA
39	D28281870		2	PLATE	PLAQUE	PLATTE	PLATO
40	D28281871		1	PLATE	PLAQUE	PLATTE	PLATO



D-ZCZD-009-B

1 D28785719		1 BRACKET	SUPPORT FIXATION	HALTEAMM	SOPORTE
2 391561X1	[A] M10 X 45	4 HEX. SOCK. SCREW	VIS TETE HEX	ZYLINDERSCHRAUBE	TORN.CAB.HUECA
3 D20400419	[A]	4 WASHER	RONDELLE	SCHEIBE	ARANDELA
4 D28786659	CPL.	1 LEVER	LEVIER	HEBEL	PALANCA
4 D28787003		1 ARM	BRAS	SCHARHEBEL	BRAZO
5 1440476X1		1 CIRCLIP	CIRCLIP	SEEGERING	GRAPA CIRCULAR
6 D28780030		1 PIVOT	PIVOT	DREHZAPFEN.	PIVOTE
7 339129X1	∅ 3,2 X 25	1 SPLIT PIN	GOUPILLE FENDUE	SPALTBOLZEN	PASADOR HENDIDO
8 D28880196		1 PULLEY	POULIE	RIEMENSCHLEIBE	POLEA
9 339199X1		2 CIRCLIP	CIRCLIP	SEEGERING	GRAPA CIRCULAR
10 SKF62042RS		2 BEAR. 6204 2RS	RLT 6204 2RS	LAGER 6204 2RS	RODA. 6204 2RS
11 D28780007		1 RING	ANNEAU	RING.	ANILLO
12 D28780008		1 BOLT	BOULON	BOLZEN	BULON
13 D28380003		1 RING	ANNEAU	RING.	ANILLO
14 D20400459		2 WASHER	RONDELLE	SCHEIBE	ARANDELA
15 1442739X1	M16	2 LOCKNUT	ECROU FREIN	SICHERUNGSMUTTER	CONTRATUERCA
16 3764827M1	M16	1 NUT	ECROU	MUTTER	TUERCA
19 3764827M1	M16	14 NUT	ECROU	MUTTER	TUERCA
21 D20400460		1 WASHER	RONDELLE	SCHEIBE	ARANDELA
22 D28210881		1 COMP.SPRING	RESSORT DE COMPR	DRUCKFEDER	RESORTE DE COMP.
23 D45140002		2 RAM	VERIN	HYDR.ZYLINDER	ARIETE
24 D28282040		2 CLEVIS PIN	AXE	SPLINTBOLZEN	BULON CILINDRICO
25 D28284123		2 STOP	BUTEE	ANSCHLAG	PARO
26 D20400467		8 WASHER	RONDELLE	SCHEIBE	ARANDELA
27 354078X1	3/16" X 1-1/4	8 SPLIT PIN	GOUPILLE FENDUE	SPALTBOLZEN	PASADOR HENDIDO
28 D28181857		1 WASH	AXE	SPLINTBOLZEN	BULON CILINDRICO
30 D28181284		1 WASHER	RONDELLE	SCHEIBE	ARANDELA
32 D41979800		1 BELT	COURROIE	RIEMEN	CORREA
33 D28780776		1 SPACER	ENTRETOISE	ABSTANDSTUECK	DISCO ESPACIADOR
34 D28780777		2 ECCENTRIC	EXCENTRIQUE	EXZENTER	ECCENTRICA
35 D28260477		2 RETAINER	RETENEUR	HALTERING	RETENEDOR
36 339666X1	M6 X 20	2 HEX. SOCK. SCREW	VIS TETE HEX	ZYLINDERSCHRAUBE	TORN.CAB.HUECA
37 D20400470		4 WASHER	RONDELLE	SCHEIBE	ARANDELA
38 1441462X1	M6	2 LOCKNUT	ECROU FREIN	SICHERUNGSMUTTER	CONTRATUERCA
43 D45250800		X UNION	RACCORD	VERSCHRAUBUNG	RACOR
46 D45110087	SERTA	2 KIT, SEAL	JEU ETANCHEITE	DICHRINGSATZ	RETENES JUEGO
59 D28181714		2 HINGE	CHARNIERE	SCHARNIER	CHARNELA
60 339123X1	M8 X 20	4 HEX. SOCK. SCREW	VIS TETE HEX	ZYLINDERSCHRAUBE	TORN.CAB.HUECA
61 D20400506		4 WASHER	RONDELLE	SCHEIBE	ARANDELA
62 394367X1	M8	4 NUT	ECROU	MUTTER	TUERCA
63 D43364800	4	2 BUSH	BAGUE	RING	CASQUILLO
65 D28181230		1 CHAIN	CHAINE	KETTE	CADENA
66 D42386000		2 HOOK	CROCHET	HAKEN	GANCHO
73 D28181073		2 SUSPENSION	SUSPENSION	AUFHAENGUNG.	SUSPENSION
74 339666X1	M6 X 20	X HEX. SOCK. SCREW	VIS TETE HEX	ZYLINDERSCHRAUBE	TORN.CAB.HUECA
75 391038X1		X FLAT WASHER	RONDELLE PLATE	UNTERLEGSCHLEIBEN	ARANDELA PLANA
76 394367X1	M8	X NUT	ECROU	MUTTER	TUERCA
77 D28761501		2 PLATE	PLAQUE	PLATTE	PLATO
84 D43386900		2 GRIP	POIGNEE	HANDGRIFF	MANGO
85 391148X1	M8 X 20	4 SCREW	VIS	SCHRAUBE	TORNILLO
95 D28181856		2 CLEVIS PIN	AXE	SPLINTBOLZEN	BULON CILINDRICO
96 D20400467		4 WASHER	RONDELLE	SCHEIBE	ARANDELA
97 354078X1	3/16" X 1-1/4	4 SPLIT PIN	GOUPILLE FENDUE	SPALTBOLZEN	PASADOR HENDIDO
98 D49157500		4 DECAL	DECALCOMANIE	AUFKLEBER	CALCOMANIA
99 D28280789		1 PERFORATED PLATE	PLAQUE PERFOREE	LOCHBLECH	PLATO PERFORADO
100 D28280790		1 NUT	ECROU	MUTTER	TUERCA
101 D28280802		1 TIE ROD	TRINGLERIE	ZUGSTANGE	BRAZO DE ENLACE

[A] NOT ILLUSTRATED
NON ILLUSTRÉ
NICHT ILLUSTRIRIERT
NO ILUSTRADO



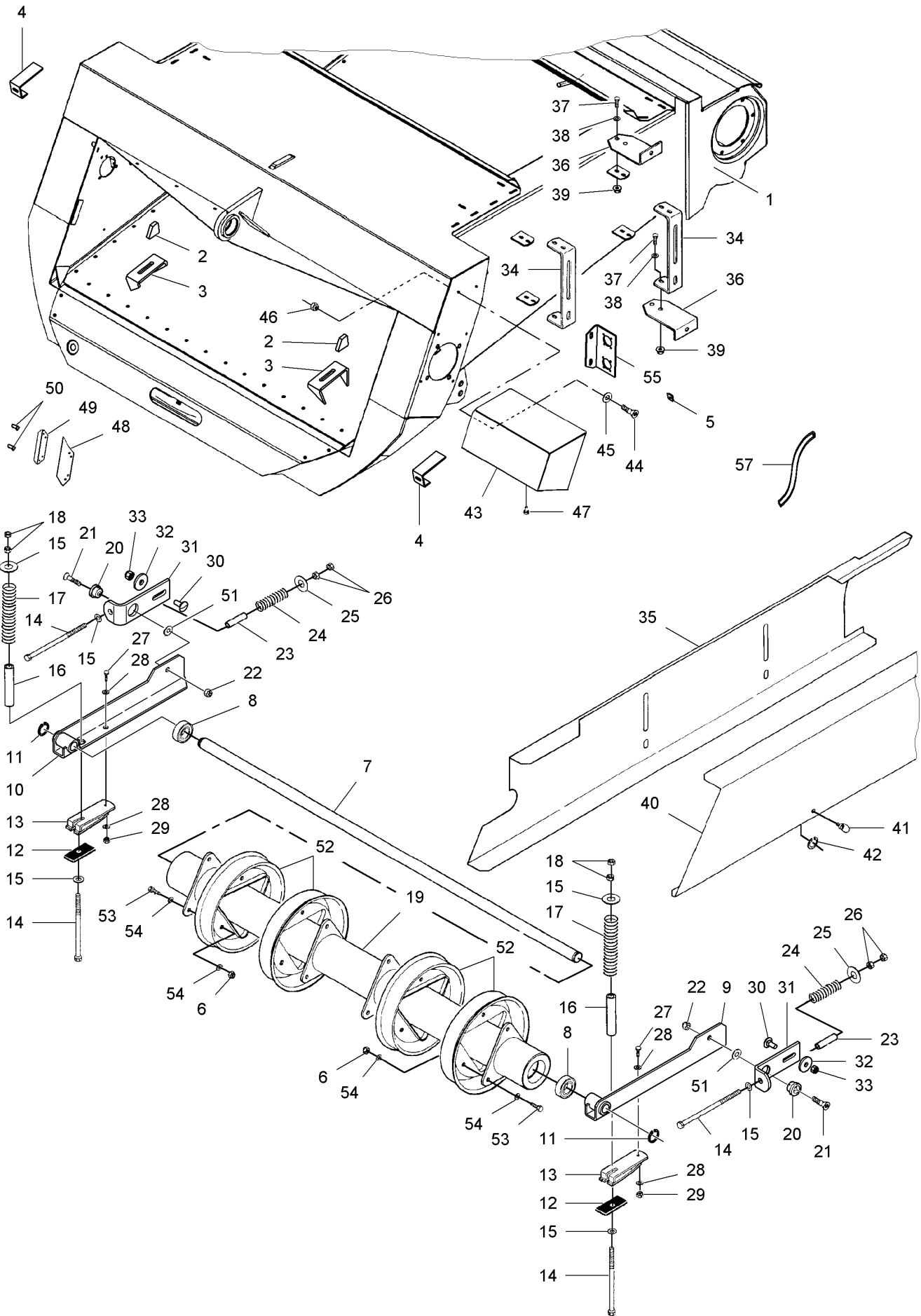
D-ZCZF-011-A

1	D28285677	CPL.	X	CONVEYOR	CONVOYEUR	FOERDERER	TRANSPORTADOR
1	D28285678	CPL.AUTO LEVEL	X	CONVEYOR	CONVOYEUR	FOERDERER	TRANSPORTADOR
1	D58282340		1	CONVEYOR	CONVOYEUR	FOERDERER	TRANSPORTADOR
2	D28282232	1 [F]	2	ANGLEPIECE	CORNIERE	WINKELEISEN	PIEZA ANGULAR
3	D28281957	1 [F]	2	ANGLEPIECE	CORNIERE	WINKELEISEN	PIEZA ANGULAR
4	D28281759	1 [F]	2	REINFORCEMENT	RENFORT	VERSTAERKUNG	REFUERZO
5	D28281280	1 [F]	1	MOUNTING	MONTANT	HALTERUNG	MONTANTE
6	1440329X1	M10	12	LOCKNUT	ECROU FREIN	SICHERUNGSMUTTER	CONTRATUERCA
7	D28281767		1	SHAFT	ARBRE	WELLE	ARBOL
8	390384X1		2	BEAR. 6306 2RS	RLT 6306 2RS	LAGER 6306 2RS	RODA. 6306 2RS
9	D58281963	◀	1	BRACKET	SUPPORT FIXATION	HALTEAMM	SOPORTE
10	D58281966	▶	1	BRACKET	SUPPORT FIXATION	HALTEAMM	SOPORTE
11	1440477X1		2	CIRCLIP	CIRCLIP	SEEGERING	GRAPA CIRCULAR
12	D28280537		2	PLATE	PLAQUE	PLATTE	PLATO
13	D28281374	[A]	2	CHOCK	CALE	UNTERLEG-KEIL	CALZA
13	D28286105		1	CHOCK	CALE	UNTERLEG-KEIL	CALZA
14	D40413200		4	SCREW	VIS	SCHRAUBE	TORNILLO
15	D20400425		10	WASHER	RONDELLE	SCHEIBE	ARANDELA
16	D28281799		2	PIPE	TUYAU	TUBE	TUBO
17	D28281798		2	SPRING	RESSORT	FEDER	MUELLE
18	3009695X1	M12	2	NUT	ECROU	MUTTER	TUERCA
19	D58281960		1	SHAFT	ARBRE	WELLE	ARBOL
20	D28281777		2	BUSH	BAGUE	RING	CASQUILLO
21	D40605600		2	SCREW METRIC	VIS METRIQUE	SCHRAUBE METR	TORNILLO METRICO
22	1442190X1	M12	2	LOCKNUT	ECROU FREIN	SICHERUNGSMUTTER	CONTRATUERCA
23	D28280489		2	SPACER	ENTRETOISE	ABSTANDSTUECK	DISCO ESPACIADOR
24	D28280309		2	SPRING	RESSORT	FEDER	MUELLE
25	D28260383		2	INDICATOR	INDICATEUR	ANZEIGER	INDICADOR
26	3009695X1	M12	4	NUT	ECROU	MUTTER	TUERCA
27	339337X1	[A] M8 X 30	2	HEX. SOCK. SCREW	VIS TETE HEX	ZYLINDERSCHRAUBE	TORN.CAB.HUECA
28	D20400506	[A]	4	WASHER	RONDELLE	SCHEIBE	ARANDELA
29	394367X1	[A] M8	2	NUT	ECROU	MUTTER	TUERCA
30	390809X1	M10 X 25	2	SCREW SPECIAL	VIS SPECIALE	SPEZIALSCHRAUBE	TORNILLO ESPEC.
31	D28288151		2	SUPPORT	SUPPORT	TRAGER	SOPORTE
32	D20400420		2	WASHER	RONDELLE	SCHEIBE	ARANDELA
33	1440329X1	M10	2	LOCKNUT	ECROU FREIN	SICHERUNGSMUTTER	CONTRATUERCA
34	D28281296		2	SUPPORT	SUPPORT	TRAGER	SOPORTE
35	D58281809	[C]	1	SHIELD	TOLE	SCHILD	BLINDAJE
35	D28281982	[D]	1	COWL	GARANT	AUFSATZ	CAPERUZA
36	D58282081		4	SUPPORT	SUPPORT	TRAGER	SOPORTE
37	339337X1	M8 X 30	8	HEX. SOCK. SCREW	VIS TETE HEX	ZYLINDERSCHRAUBE	TORN.CAB.HUECA
38	D20400506		8	WASHER	RONDELLE	SCHEIBE	ARANDELA
39	394367X1	M8	8	NUT	ECROU	MUTTER	TUERCA
40	D58281780		1	SHIELD	TOLE	SCHILD	BLINDAJE
41	D43427500		4	PIN	GOUPILLE	STIFT	PASADOR
42	1440988X1		4	SNAPRING	SEGMENT ARRET	SPRENGRING	ANILLA RETENCION
43	D28285284		1	COVER	COUVERCLE	ABDECKUNG.	CUBIERTA
44	339123X1	M8 X 20	4	HEX. SOCK. SCREW	VIS TETE HEX	ZYLINDERSCHRAUBE	TORN.CAB.HUECA
45	D20400506		4	WASHER	RONDELLE	SCHEIBE	ARANDELA
46	394367X1	M8	4	NUT	ECROU	MUTTER	TUERCA
47	D45744000		1	PLUG	BOUCHON	STOPFEN	TAPON
48	D28281853		2	SEAL	JOINT ETANCHEITE	DICHTRING	JUNTA REDONDA
49	D28281854		2	CLAMP	COLLIER	HALTESCHELLE	ABRAZADERA
50	D41397900		4	RIVET	RIVET	NIET	REMACHE
51	D20400456		2	WASHER	RONDELLE	SCHEIBE	ARANDELA
52	D28281245		4	CUP	COUPELLE	LAUFRING	CUBETA
53	339814X1	M10 X 35	12	HEX. SOCK. SCREW	VIS TETE HEX	ZYLINDERSCHRAUBE	TORN.CAB.HUECA
54	D20400415		24	WASHER	RONDELLE	SCHEIBE	ARANDELA
55	D28285521		1	RETAINER	RETENEUR	HALTERING	RETENEDOR
56	D45140037	[BE]	2	SCREW	VIS	SCHRAUBE	TORNILLO
57	D45702000		1	HOSE	DURITE	SCHLAUCH	TUBO DE GOMA
58	D45140043	[E]	1	CLUTCH	EMBAYAGE	SCHALTKUPPLUNG	EMBREGUE
59	D45140037	👁 1-33 No 15 [E]	4	SCREW	VIS	SCHRAUBE	TORNILLO

[A] MAIZE EQUIPMENT
EQUIPEMENT MAIS
MAISAUSRUESTUNG
EQUIPO PARA MAIZ

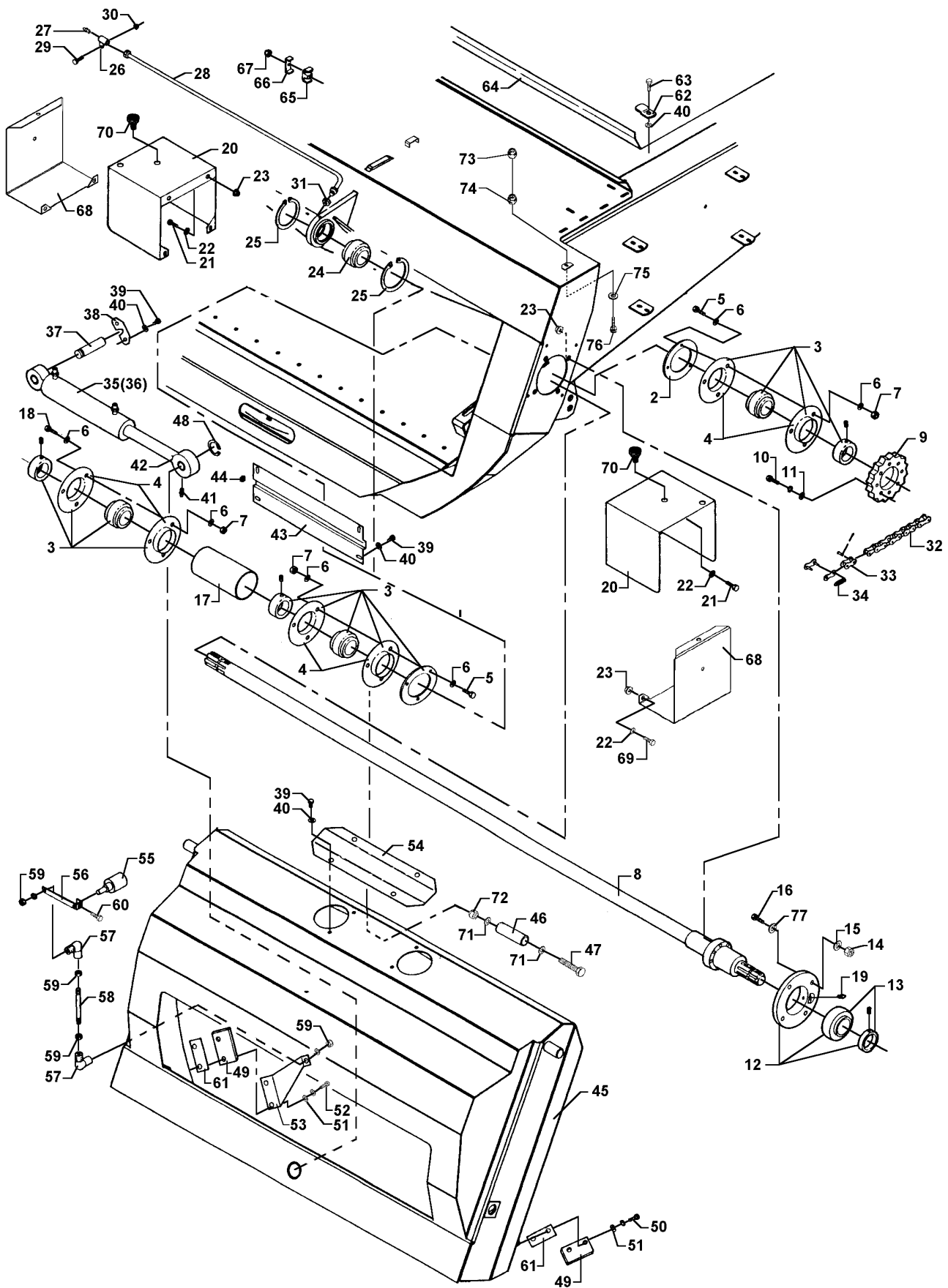
[B] OPTIONAL EQUIPMENT
EQUIPEMENTS ACCESSOIRES
SONDERZUBEHOR
EQUIP. ADITAMENTO

[C] COMBINE WITHOUT HYDRAULIC REVERSING
UTILISER SEULEMENT SUR MOISSONNEUSE-BATTEUSE SANS INVERSION HYDRAULIQUE
MASCHINE OHNE HYDRAULISCH REVERSIERUNG
UTILIZAR SOLAMENTE POR COSECHADORA SIN INVERSION IDRAULICO



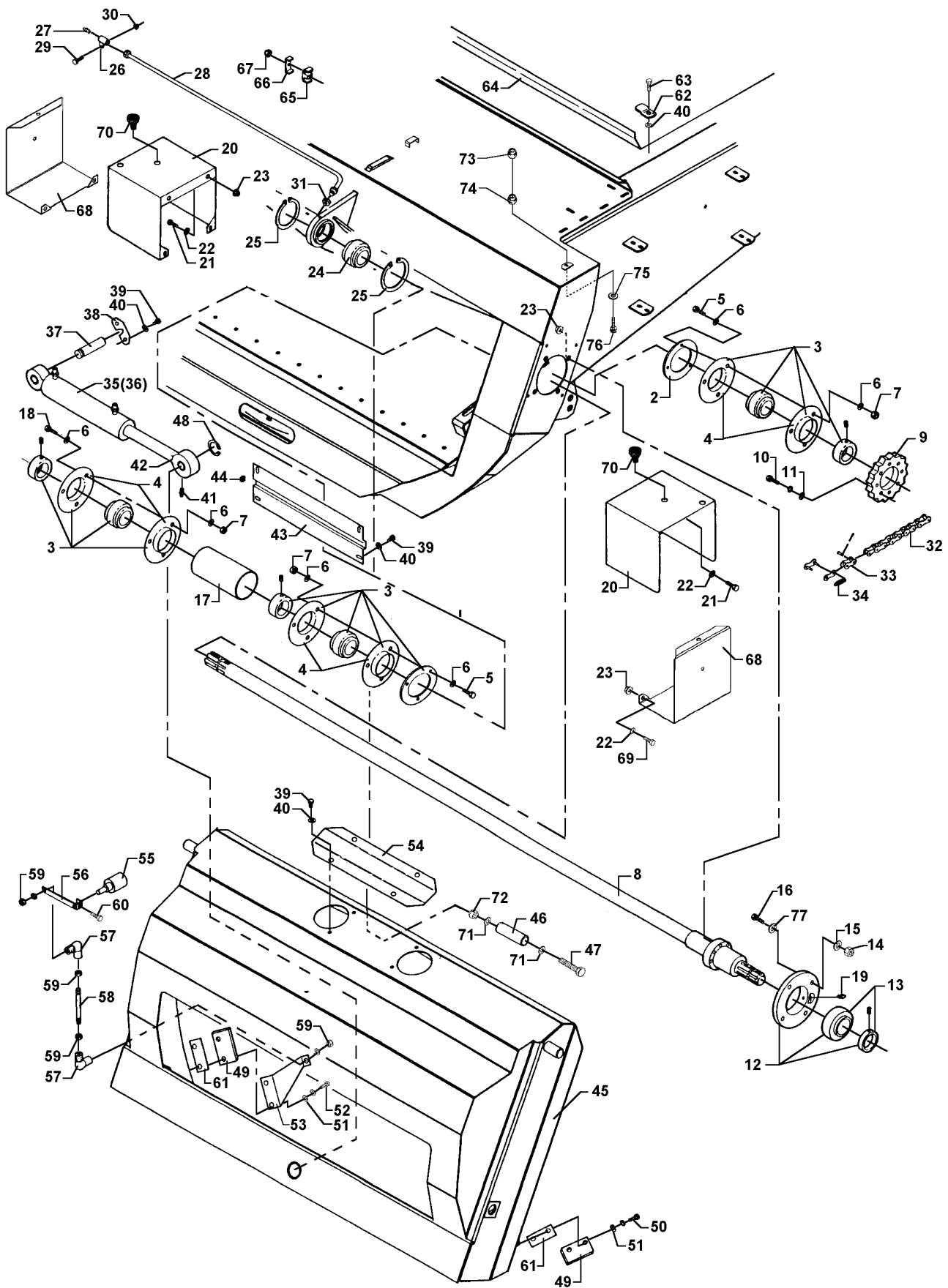
D-ZCF-011-A

-
- [D] COMBINE WITH HYDRAULIC REVERSING
UTILISER SEULEMENT SUR MOISSONNEUSE-BATTEUSE AVEC INVERSION HYDRAULIQUE
MASCHINE MIT HYDRAULISCH REVERSIERUNG
UTILIZAR SOLAMENTE POR COSECHADORA CON INVERSION IDRAULICO
- [E] NOT ILLUSTRATED
NON ILLUSTRE
NICHT ILLUSTRIRT
NO ILUSTRADO
- [F] WELDED PART
PIECE SOUDE
PUNKTSCHWEISSEN
PARTICOLAR SOLDURA



D-ZCZG-004-A

2	D28284368		2	SHIM	CALE REGLAGE	AUSGLEICHSCHEIBE	CALCE
3	D41707800		3	BEARING	COUSSINET	LAGER	COJINETE
4	D41701700		6	FLANGE	FLASQUE	FLANSCH	PLETINA
5	3009493X1	M10 X 30	6	HEX. SOCK. SCREW	VIS TETE HEX	ZYLINDERSCHRAUBE	TORN.CAB.HUECA
6	D20400507		12	SPACER	ENTRETOISE	ABSTANDSTUECK	DISCO ESPACIADOR
7	339402X1	M10	6	NUT SPECIAL	ECROU SPECIAL	SPEZIALMUTTER	TUERCA ESPECIAL
8	D28281789	CPL.	1	SHAFT	ARBRE	WELLE	ARBOL
8	D28281769		1	SHAFT	ARBRE	WELLE	ARBOL
8	D28281788		1	HUB	MOYEU	NABE	CUBO
9	D28281617		1	SPROCKET	BARBOTIN	KETTENRAD	RUEDA DE CADENA
10	339009X1	M8 X 35	8	HEX. SOCK. SCREW	VIS TETE HEX	ZYLINDERSCHRAUBE	TORN.CAB.HUECA
11	D20400506		8	WASHER	RONDELLE	SCHEIBE	ARANDELA
12	D41716400		1	BEARING	COUSSINET	LAGER	COJINETE
13	D41716400		1	BEARING	COUSSINET	LAGER	COJINETE
14	1442739X1	M16	4	LOCKNUT	ECROU FREIN	SICHERUNGSMUTTER	CONTRATUERCA
15	D20400462		4	WASHER	RONDELLE	SCHEIBE	ARANDELA
16	339214X1	M16 X 50	4	HEX. SOCK. SCREW	VIS TETE HEX	ZYLINDERSCHRAUBE	TORN.CAB.HUECA
17	D28281772		1	SHIELD	TOLE	SCHILD	BLINDAJE
18	3009492X1	M10 X 25	3	HEX. SOCK. SCREW	VIS TETE HEX	ZYLINDERSCHRAUBE	TORN.CAB.HUECA
19	339608X1		1	GREASE FITTING	GRAISSEUR	DRUCKSCHMIERKOPF	ENGRASADOR
20	D28282251		2	SHIELD	TOLE	SCHILD	BLINDAJE
21	339123X1	M8 X 20	4	HEX. SOCK. SCREW	VIS TETE HEX	ZYLINDERSCHRAUBE	TORN.CAB.HUECA
22	D20400506		8	WASHER	RONDELLE	SCHEIBE	ARANDELA
23	394367X1	M8	8	NUT	ECROU	MUTTER	TUERCA
24	D45698700		1	TOGGLE	ROTULE	GELENKZAPFEN	ROTULA
25	D42514800		2	CIRCLIP	CIRCLIP	SEEGERING	GRAPA CIRCULAR
26	D43009200		1	BRACKET	SUPPORT FIXATION	HALTEAM	SOPORTE
27	D43002600		1	GREASE FITTING	GRAISSEUR	DRUCKSCHMIERKOPF	ENGRASADOR
28	D28780803		1	TUBE	TUBE	ROHR	TUBO.
29	339666X1	M6 X 20	1	HEX. SOCK. SCREW	VIS TETE HEX	ZYLINDERSCHRAUBE	TORN.CAB.HUECA
30	1441462X1	M6	1	LOCKNUT	ECROU FREIN	SICHERUNGSMUTTER	CONTRATUERCA
31	D43009500		1	CONNECTOR	BORNE.	DOPPELNIPPEL	CONECTOR
32	D42334600		1	CHAIN	CHAINE	KETTE	CADENA
33	D42367800		1	LINK	MAILLON	GLIED	ESLABON
34	D42367700		1	CONNECTING LINK	BARRE CONNEXION	VERSCHLUSSGLIED	MALLA UNION
35	D45100029		1	RAM	VERIN	HYDR.ZYLINDER	ARIETE
36	D45110085		1	KIT, SEAL	JEU ETANCHEITE	DICHRINGSATZ	RETENES JUEGO
37	D28284399		1	PIN	GOUPILLE	STIFT	PASADOR
38	D28281783		1	PLATE	PLAQUE	PLATTE	PLATO
39	339123X1	M8 X 20	X	HEX. SOCK. SCREW	VIS TETE HEX	ZYLINDERSCHRAUBE	TORN.CAB.HUECA
40	D20400506		X	WASHER	RONDELLE	SCHEIBE	ARANDELA
41	1441858X1		1	GREASE FITTING	GRAISSEUR	DRUCKSCHMIERKOPF	ENGRASADOR
42	D45698900		1	TOGGLE	ROTULE	GELENKZAPFEN	ROTULA
43	D58281779		1	COVER	COUVERCLE	ABDECKUNG.	CUBIERTA
44	D44740400	◀ 2 M	X	GASKET	JOINT	FLACHDICHTUNG	JUNTA PLANA
45	D58281909		1	FRAME	BATI	RAHMEN	BASTIDOR
46	D28281782		1	PIN	GOUPILLE	STIFT	PASADOR
47	D40435100		1	SCREW	VIS	SCHRAUBE	TORNILLO
48	1440477X1		1	CIRCLIP	CIRCLIP	SEEGERING	GRAPA CIRCULAR
49	D58281781		2	PLATE	PLAQUE	PLATTE	PLATO
50	339139X1	M12 X 25	2	HEX. SOCK. SCREW	VIS TETE HEX	ZYLINDERSCHRAUBE	TORN.CAB.HUECA
51	D20400426		4	WASHER	RONDELLE	SCHEIBE	ARANDELA
52	1440716X1	M12 X 30	2	HEX. SOCK. SCREW	VIS TETE HEX	ZYLINDERSCHRAUBE	TORN.CAB.HUECA
53	D58281787		1	BRACKET	SUPPORT FIXATION	HALTEAM	SOPORTE
54	D58281792		1	COVER	COUVERCLE	ABDECKUNG.	CUBIERTA
55	D28780523		1	POTENTIOMETER	POTENTIOMETRE	POTENTIOMETER	REGULADOR ELECT.
56	D58281785		1	ROD	TRINGLE	STANGE	VARILLA
57	D46437300		2	TOGGLE	ROTULE	GELENKZAPFEN	ROTULA
58	D28281784		1	ROD	TRINGLE	STANGE	VARILLA
59	D41010600	M6	4	NUT	ECROU	MUTTER	TUERCA
60	339560X1	M6 X 16	1	HEX. SOCK. SCREW	VIS TETE HEX	ZYLINDERSCHRAUBE	TORN.CAB.HUECA
61	D28281810	[A]	X	SHIM	CALE REGLAGE	AUSGLEICHSCHEIBE	CALCE
62	D28281771		1	SUPPORT	SUPPORT	TRAGER	SOPORTE
63	339124X1	M8 X 16	2	HEX. SOCK. SCREW	VIS TETE HEX	ZYLINDERSCHRAUBE	TORN.CAB.HUECA
64	D58282086		1	SHUTTER	OBTURATEUR	BLENDENVERSCHLUS	OBTURADOR
65	D45739400		3	SUPPORT	SUPPORT	TRAGER	SOPORTE
66	D28750784		3	BRACKET	SUPPORT FIXATION	HALTEAM	SOPORTE
67	1441462X1	M6	3	LOCKNUT	ECROU FREIN	SICHERUNGSMUTTER	CONTRATUERCA
68	D28282460		2	SHIELD	TOLE	SCHILD	BLINDAJE
69	D40405300		4	SCREW	VIS	SCHRAUBE	TORNILLO
70	D43385200		2	SCREW	VIS	SCHRAUBE	TORNILLO
71	D28280441		2	WASHER	RONDELLE	SCHEIBE	ARANDELA
72	1442739X1	M16	1	LOCKNUT	ECROU FREIN	SICHERUNGSMUTTER	CONTRATUERCA
73	1441462X1	M6	1	LOCKNUT	ECROU FREIN	SICHERUNGSMUTTER	CONTRATUERCA
74	1441462X1	M6	1	LOCKNUT	ECROU FREIN	SICHERUNGSMUTTER	CONTRATUERCA
75	D20400404		1	WASHER	RONDELLE	SCHEIBE	ARANDELA
76	339804X1	M6 X 25	1	HEX. SOCK. SCREW	VIS TETE HEX	ZYLINDERSCHRAUBE	TORN.CAB.HUECA
77	D20400461		4	WASHER	RONDELLE	SCHEIBE	ARANDELA

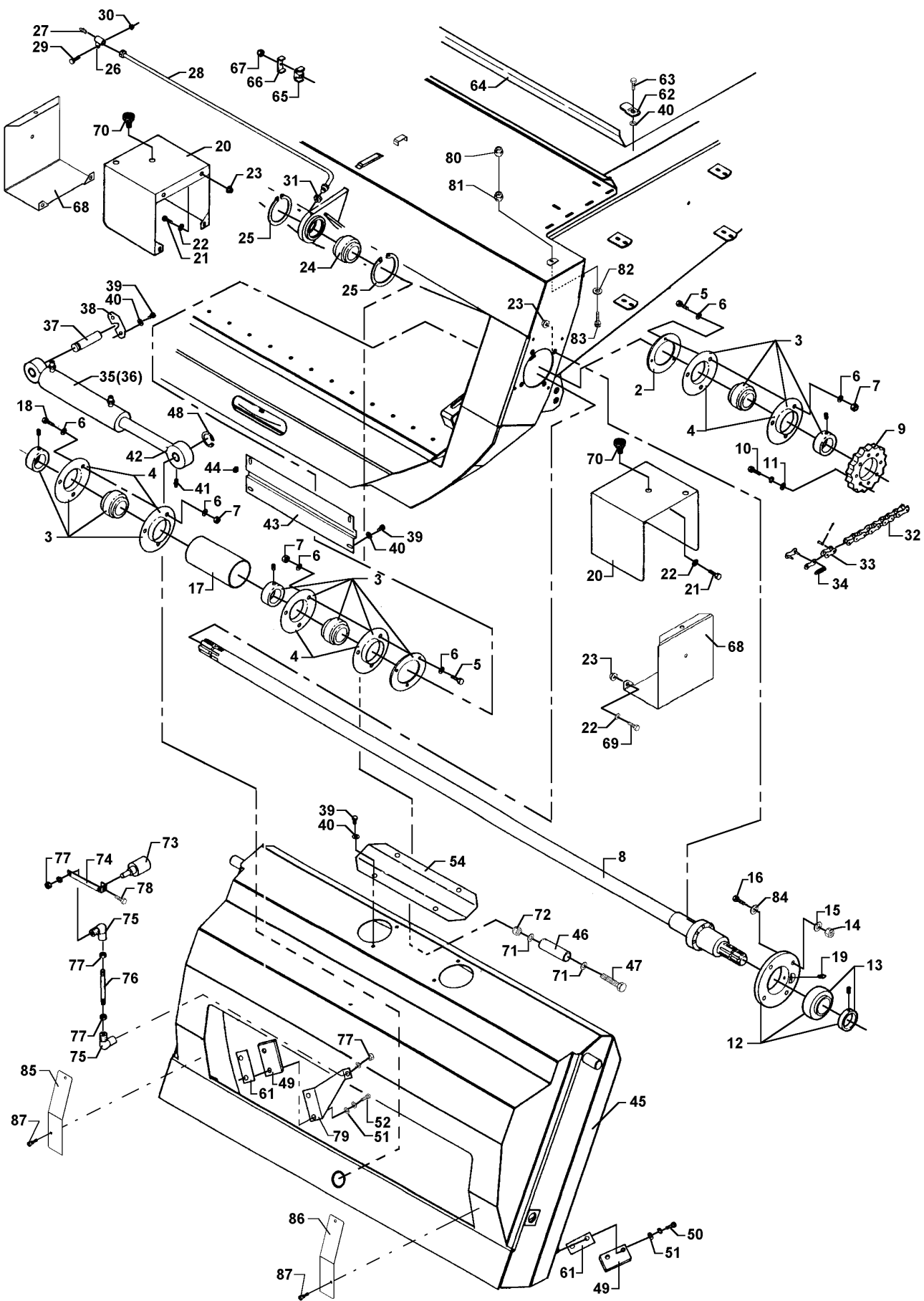


D-ZCZG-004-A

Transmission Auto Level Combine
Transmission Moissonneuse-Batteuse Auto Level
Transmission Auto Level Maschine
Transmission Cosechadora Auto Level

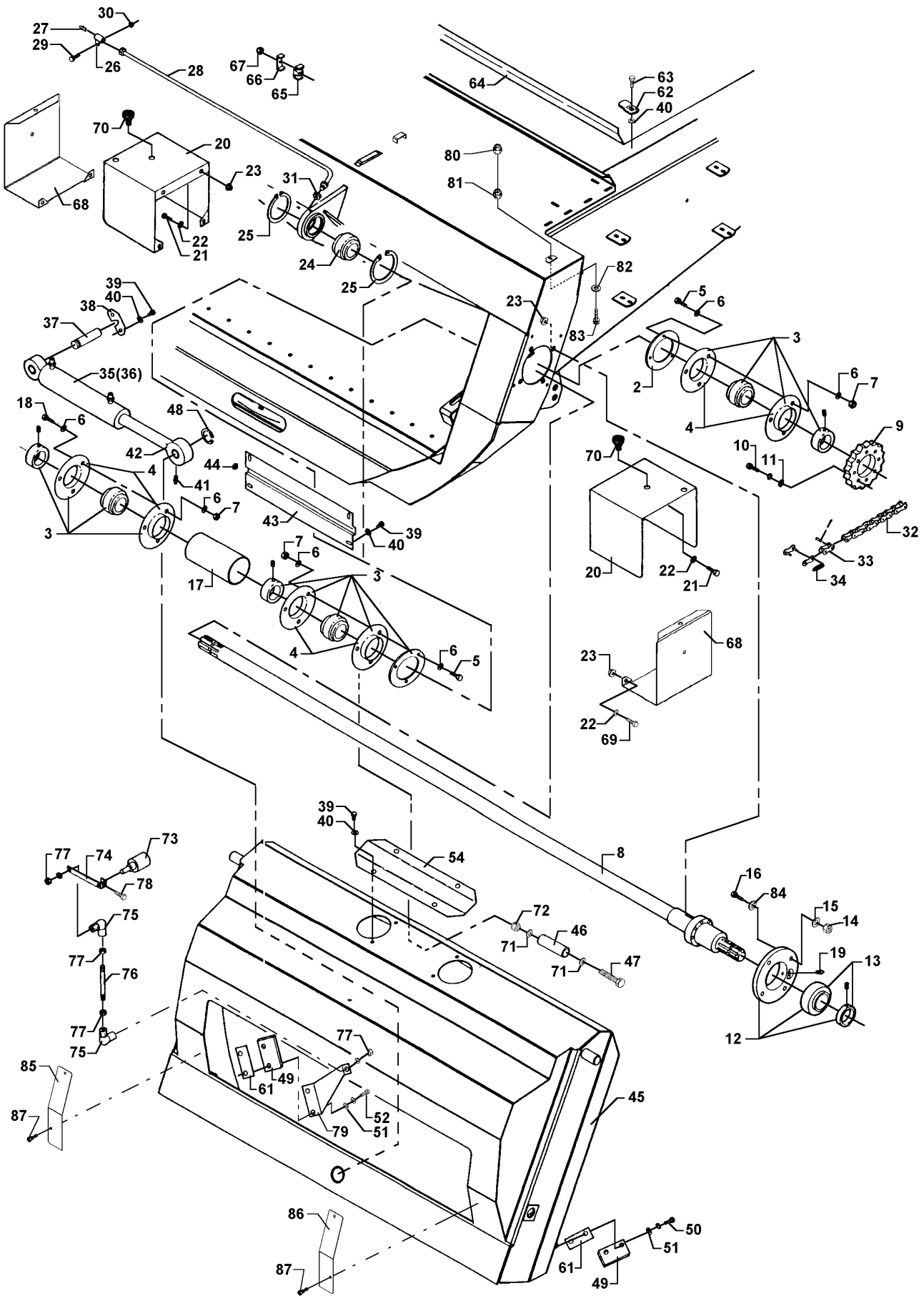
Up To 61489
Jusqu'au 61489
Bis 61489
Hasta 61489

[A] OPTIONAL
EN OPTION
WAHLWEISE
OPCIONAL



D-ZCZH-004-A

2	D28284368		2	SHIM	CALE REGLAGE	AUSGLEICHSCHEIBE	CALCE
3	D41707800		3	BEARING	COUSSINET	LAGER	COJINETE
4	D41701700		6	FLANGE	FLASQUE	FLANSCH	PLETINA
5	3009493X1	M10 X 30	6	HEX. SOCK. SCREW	VIS TETE HEX	ZYLINDERSCHRAUBE	TORN.CAB.HUECA
6	D20400507		12	SPACER	ENTRETOISE	ABSTANDSTUECK	DISCO ESPACIADOR
7	339402X1	M10	6	NUT SPECIAL	ECROU SPECIAL	SPEZIALMUTTER	TUERCA ESPECIAL
8	D28281789	CPL.	1	SHAFT	ARBRE	WELLE	ARBOL
8	D28281769		1	SHAFT	ARBRE	WELLE	ARBOL
8	D28281788		1	HUB	MOYEU	NABE	CUBO
9	D28281617		1	SPROCKET	BARBOTIN	KETTENRAD	RUEDA DE CADENA
10	339009X1	M8 X 35	8	HEX. SOCK. SCREW	VIS TETE HEX	ZYLINDERSCHRAUBE	TORN.CAB.HUECA
11	D20400506		8	WASHER	RONDELLE	SCHEIBE	ARANDELA
12	D41716400		1	BEARING	COUSSINET	LAGER	COJINETE
13	D41716400		1	BEARING	COUSSINET	LAGER	COJINETE
14	1442739X1	M16	4	LOCKNUT	ECROU FREIN	SICHERUNGSMUTTER	CONTRATUERCA
15	D20400462		4	WASHER	RONDELLE	SCHEIBE	ARANDELA
16	339214X1	M16 X 50	4	HEX. SOCK. SCREW	VIS TETE HEX	ZYLINDERSCHRAUBE	TORN.CAB.HUECA
17	D28281772		1	SHIELD	TOLE	SCHILD	BLINDAJE
18	3009492X1	M10 X 25	3	HEX. SOCK. SCREW	VIS TETE HEX	ZYLINDERSCHRAUBE	TORN.CAB.HUECA
19	339608X1		1	GREASE FITTING	GRAISSEUR	DRUCKSCHMIERKOPF	ENGRASADOR
20	D28282251		2	SHIELD	TOLE	SCHILD	BLINDAJE
21	339123X1	M8 X 20	4	HEX. SOCK. SCREW	VIS TETE HEX	ZYLINDERSCHRAUBE	TORN.CAB.HUECA
22	D20400506		8	WASHER	RONDELLE	SCHEIBE	ARANDELA
23	394367X1	M8	8	NUT	ECROU	MUTTER	TUERCA
24	D45698700		1	TOGGLE	ROTULE	GELENKZAPFEN	ROTULA
25	D42514800		2	CIRCLIP	CIRCLIP	SEEGERING	GRAPA CIRCULAR
26	D43009200		1	BRACKET	SUPPORT FIXATION	HALTEAMM	SOPORTE
27	D43002600		1	GREASE FITTING	GRAISSEUR	DRUCKSCHMIERKOPF	ENGRASADOR
28	D28780803		1	TUBE	TUBE	ROHR	TUBO.
29	339666X1	M6 X 20	1	HEX. SOCK. SCREW	VIS TETE HEX	ZYLINDERSCHRAUBE	TORN.CAB.HUECA
30	1441462X1	M6	1	LOCKNUT	ECROU FREIN	SICHERUNGSMUTTER	CONTRATUERCA
31	D43009500		1	CONNECTOR	BORNE.	DOPPELNIPPEL	CONECTOR
32	D42334600		1	CHAIN	CHAINE	KETTE	CADENA
33	D42367800		1	LINK	MAILLON	GLIED	ESLABON
34	D42367700		1	CONNECTING LINK	BARRE CONNEXION	VERSCHLUSSGLIED	MALLA UNION
35	D45120073		1	RAM	VERIN	HYDR.ZYLINDER	ARIETE
36	D45110085		1	KIT, SEAL	JEU ETANCHEITE	DICHRINGSATZ	RETENES JUEGO
37	D28284399		1	PIN	GOUPILLE	STIFT	PASADOR
38	D28281783		1	PLATE	PLAQUE	PLATTE	PLATO
39	339123X1	M8 X 20	X	HEX. SOCK. SCREW	VIS TETE HEX	ZYLINDERSCHRAUBE	TORN.CAB.HUECA
40	D20400506		X	WASHER	RONDELLE	SCHEIBE	ARANDELA
41	1441858X1		1	GREASE FITTING	GRAISSEUR	DRUCKSCHMIERKOPF	ENGRASADOR
42	D45698900		1	TOGGLE	ROTULE	GELENKZAPFEN	ROTULA
43	D58281779		1	COVER	COUVERCLE	ABDECKUNG.	CUBIERTA
44	D44740400	◀ 2 M	X	GASKET	JOINT	FLACHDICHTUNG	JUNTA PLANA
45	D58281908		1	FRAME	BATI	RAHMEN	BASTIDOR
46	D28281782		1	PIN	GOUPILLE	STIFT	PASADOR
47	D40435100		1	SCREW	VIS	SCHRAUBE	TORNILLO
48	1440477X1		1	CIRCLIP	CIRCLIP	SEEGERING	GRAPA CIRCULAR
49	D58281781		2	PLATE	PLAQUE	PLATTE	PLATO
50	339139X1	M12 X 25	2	HEX. SOCK. SCREW	VIS TETE HEX	ZYLINDERSCHRAUBE	TORN.CAB.HUECA
51	D20400426		4	WASHER	RONDELLE	SCHEIBE	ARANDELA
52	1440716X1	M12 X 30	2	HEX. SOCK. SCREW	VIS TETE HEX	ZYLINDERSCHRAUBE	TORN.CAB.HUECA
54	D58281792		1	COVER	COUVERCLE	ABDECKUNG.	CUBIERTA
57	D20400521	[C]	2	SPACER	ENTRETOISE	ABSTANDSTUECK	DISCO ESPACIADOR
61	D28281810	[B]	X	SHIM	CALE REGLAGE	AUSGLEICHSCHEIBE	CALCE
62	D28281771		2	SUPPORT	SUPPORT	TRAGER	SOPORTE
63	339124X1	M8 X 16	2	HEX. SOCK. SCREW	VIS TETE HEX	ZYLINDERSCHRAUBE	TORN.CAB.HUECA
64	D58282086		1	SHUTTER	OBTURATEUR	BLENDENVERSCHLUS	OBTURADOR
65	D45739400		3	SUPPORT	SUPPORT	TRAGER	SOPORTE
66	D28750784		3	BRACKET	SUPPORT FIXATION	HALTEAMM	SOPORTE
67	1441462X1	M6	3	LOCKNUT	ECROU FREIN	SICHERUNGSMUTTER	CONTRATUERCA
68	D28282460		2	SHIELD	TOLE	SCHILD	BLINDAJE
69	D40405300		4	SCREW	VIS	SCHRAUBE	TORNILLO
70	D43385200		2	SCREW	VIS	SCHRAUBE	TORNILLO
71	D28280441		2	WASHER	RONDELLE	SCHEIBE	ARANDELA
72	1442739X1	M16	1	LOCKNUT	ECROU FREIN	SICHERUNGSMUTTER	CONTRATUERCA
73	D28780523		1	POTENTIOMETER	POTENTIOMETRE	POTENTIOMETER	REGULADOR ELECT.
74	D58281785		1	ROD	TRINGLE	STANGE	VARILLA
75	D46437300		2	TOGGLE	ROTULE	GELENKZAPFEN	ROTULA
76	D28281784		1	ROD	TRINGLE	STANGE	VARILLA
77	D41010600	M6	2	NUT	ECROU	MUTTER	TUERCA
78	339560X1	M6 X 16	1	HEX. SOCK. SCREW	VIS TETE HEX	ZYLINDERSCHRAUBE	TORN.CAB.HUECA
79	D28281787		1	BRACKET	SUPPORT FIXATION	HALTEAMM	SOPORTE
80	1441462X1	M6	1	LOCKNUT	ECROU FREIN	SICHERUNGSMUTTER	CONTRATUERCA
81	1441462X1	M6	1	LOCKNUT	ECROU FREIN	SICHERUNGSMUTTER	CONTRATUERCA
82	D20400404		1	WASHER	RONDELLE	SCHEIBE	ARANDELA
83	339804X1	M6 X 25	1	HEX. SOCK. SCREW	VIS TETE HEX	ZYLINDERSCHRAUBE	TORN.CAB.HUECA
84	D20400461		4	WASHER	RONDELLE	SCHEIBE	ARANDELA
85	D28281878	[A]	1	COVER	COUVERCLE	ABDECKUNG.	CUBIERTA
86	D28281879	[A]	1	COVER	COUVERCLE	ABDECKUNG.	CUBIERTA
87	D40685000	[A]	4	SCREW	VIS	SCHRAUBE	TORNILLO

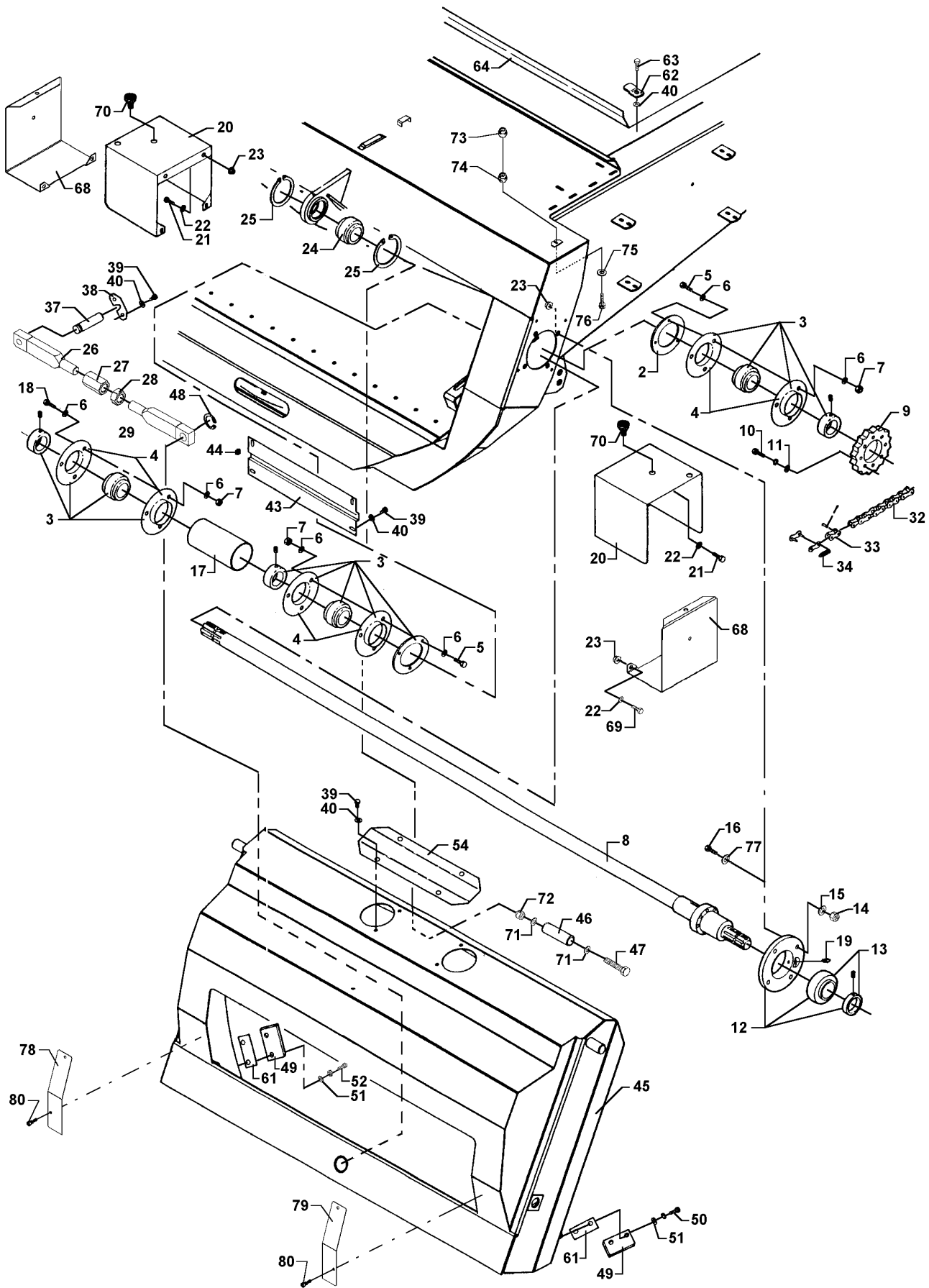


D-ZCZH-004-A

[A] COVER PLATES ARE USED FOR RYE GRASS ONLY
PLAQUES D'OBTURATION A UTILISER SEULEMENT POUR RAY-GRASS
ABDECKPLATTEN WERDEN NUR BEI LOLCH VERWENDEN
OBTURADOR UTILISADO SOLAMENTE PARA RAY-GRASS

[B] OPTIONAL
EN OPTION
WAHLWEISE
OPCIONAL

[C] NOT ILLUSTRATED
NON ILLUSTRE
NICHT ILLUSTRNIERT
NO ILUSTRADO

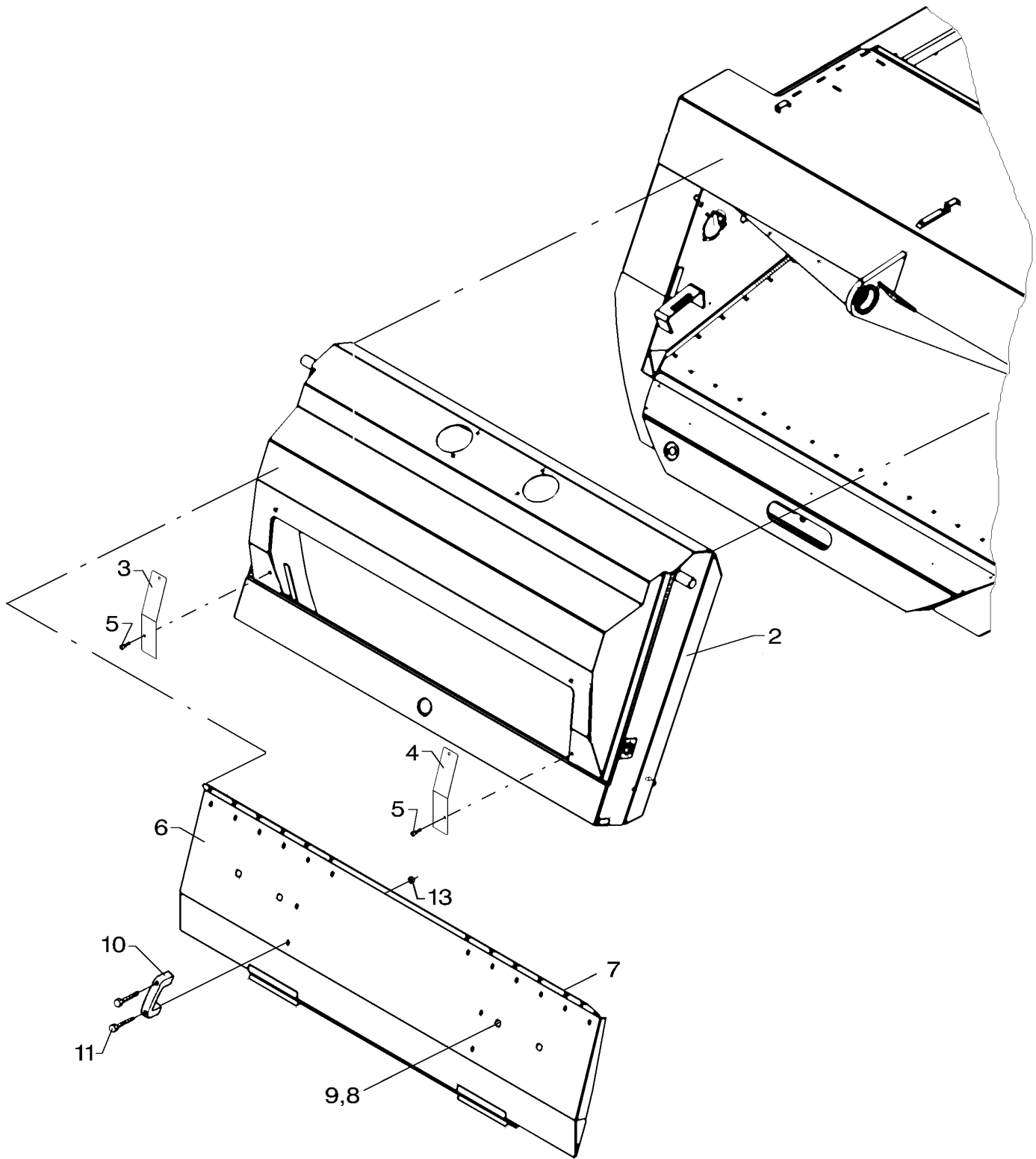


D-ZCZI-004-A

2	D28284368		2	SHIM	CALE REGLAGE	AUSGLEICHSCHEIBE	CALCE
3	D41707800		3	BEARING	COUSSINET	LAGER	COJINETE
4	D41701700		6	FLANGE	FLASQUE	FLANSCH	PLETINA
5	3009493X1	M10 X 30	6	HEX. SOCK. SCREW	VIS TETE HEX	ZYLINDERSCHRAUBE	TORN.CAB.HUECA
6	D20400507		12	SPACER	ENTRETOISE	ABSTANDSTUECK	DISCO ESPACIADOR
7	339402X1	M10	6	NUT SPECIAL	ECROU SPECIAL	SPEZIALMUTTER	TUERCA ESPECIAL
8	D28281789	CPL.	1	SHAFT	ARBRE	WELLE	ARBOL
8	D28281769		1	SHAFT	ARBRE	WELLE	ARBOL
8	D28281788		1	HUB	MOYEU	NABE	CUBO
9	D28281617		1	SPROCKET	BARBOTIN	KETTENRAD	RUEDA DE CADENA
10	339009X1	M8 X 35	8	HEX. SOCK. SCREW	VIS TETE HEX	ZYLINDERSCHRAUBE	TORN.CAB.HUECA
11	D20400506		8	WASHER	RONDELLE	SCHEIBE	ARANDELA
12	D41716400		1	BEARING	COUSSINET	LAGER	COJINETE
13	D41716400		1	BEARING	COUSSINET	LAGER	COJINETE
14	1442739X1	M16	4	LOCKNUT	ECROU FREIN	SICHERUNGSMUTTER	CONTRATUERCA
15	D20400462		4	WASHER	RONDELLE	SCHEIBE	ARANDELA
16	339214X1	M16 X 50	4	HEX. SOCK. SCREW	VIS TETE HEX	ZYLINDERSCHRAUBE	TORN.CAB.HUECA
17	D28281772		1	SHIELD	TOLE	SCHILD	BLINDAJE
18	3009492X1	M10 X 25	3	HEX. SOCK. SCREW	VIS TETE HEX	ZYLINDERSCHRAUBE	TORN.CAB.HUECA
19	339608X1		1	GREASE FITTING	GRAISSEUR	DRUCKSCHMIERKOPF	ENGRASADOR
20	D28282251		2	SHIELD	TOLE	SCHILD	BLINDAJE
21	339123X1	M8 X 20	4	HEX. SOCK. SCREW	VIS TETE HEX	ZYLINDERSCHRAUBE	TORN.CAB.HUECA
22	D20400506		8	WASHER	RONDELLE	SCHEIBE	ARANDELA
23	394367X1	M8	8	NUT	ECROU	MUTTER	TUERCA
24	D45698700		1	TOGGLE	ROTULE	GELENKZAPFEN	ROTULA
25	D42514800		2	CIRCLIP	CIRCLIP	SEEGERING	GRAPA CIRCULAR
26	D28281820	▶	1	LINK	MAILLON	GLIED	ESLABON
27	D28281825		1	NUT	ECROU	MUTTER	TUERCA
28	390340X1	M30	1	NUT	ECROU	MUTTER	TUERCA
29	D28281819	◀	1	LINK	MAILLON	GLIED	ESLABON
32	D42334600		1	CHAIN	CHAINE	KETTE	CADENA
33	D42367800		1	LINK	MAILLON	GLIED	ESLABON
34	D42367700		1	CONNECTING LINK	BARRE CONNEXION	VERSCHLUSSGLIED	MALLA UNION
37	D28284399		1	PIN	GOUPILLE	STIFT	PASADOR
38	D28281783		1	PLATE	PLAQUE	PLATTE	PLATO
39	339123X1	M8 X 20	X	HEX. SOCK. SCREW	VIS TETE HEX	ZYLINDERSCHRAUBE	TORN.CAB.HUECA
40	D20400506		X	WASHER	RONDELLE	SCHEIBE	ARANDELA
43	D58281779		1	COVER	COUVERCLE	ABDECKUNG.	CUBIERTA
44	D44740400	◀▶ 2 M	X	GASKET	JOINT	FLACHDICHTUNG	JUNTA PLANA
45	D58281908		1	FRAME	BATI	RAHMEN	BASTIDOR
46	D28281782		1	PIN	GOUPILLE	STIFT	PASADOR
47	D40435100		1	SCREW	VIS	SCHRAUBE	TORNILLO
48	1440477X1		1	CIRCLIP	CIRCLIP	SEEGERING	GRAPA CIRCULAR
49	D58281781		2	PLATE	PLAQUE	PLATTE	PLATO
50	339139X1	M12 X 25	2	HEX. SOCK. SCREW	VIS TETE HEX	ZYLINDERSCHRAUBE	TORN.CAB.HUECA
51	D20400426		4	WASHER	RONDELLE	SCHEIBE	ARANDELA
52	1440716X1	M12 X 30	2	HEX. SOCK. SCREW	VIS TETE HEX	ZYLINDERSCHRAUBE	TORN.CAB.HUECA
54	D58281792		1	COVER	COUVERCLE	ABDECKUNG.	CUBIERTA
61	D28281810	[B]	X	SHIM	CALE REGLAGE	AUSGLEICHSCHEIBE	CALCE
62	D28281771		2	SUPPORT	SUPPORT	TRAGER	SOPORTE
63	339124X1	M8 X 16	2	HEX. SOCK. SCREW	VIS TETE HEX	ZYLINDERSCHRAUBE	TORN.CAB.HUECA
64	D58282086		1	SHUTTER	OBTURATEUR	BLENDENVERSCHLUS	OBTURADOR
68	D28282460		2	SHIELD	TOLE	SCHILD	BLINDAJE
69	D40405300		4	SCREW	VIS	SCHRAUBE	TORNILLO
70	D43385200		2	SCREW	VIS	SCHRAUBE	TORNILLO
71	D28280441		2	WASHER	RONDELLE	SCHEIBE	ARANDELA
72	1442739X1	M16	1	LOCKNUT	ECROU FREIN	SICHERUNGSMUTTER	CONTRATUERCA
73	1441462X1	M6	1	LOCKNUT	ECROU FREIN	SICHERUNGSMUTTER	CONTRATUERCA
74	1441462X1	M6	1	LOCKNUT	ECROU FREIN	SICHERUNGSMUTTER	CONTRATUERCA
75	D20400404		1	WASHER	RONDELLE	SCHEIBE	ARANDELA
76	339804X1	M6 X 25	1	HEX. SOCK. SCREW	VIS TETE HEX	ZYLINDERSCHRAUBE	TORN.CAB.HUECA
77	D20400461		4	WASHER	RONDELLE	SCHEIBE	ARANDELA
78	D28281878	▶	1	COVER	COUVERCLE	ABDECKUNG.	CUBIERTA
79	D28281879	◀	1	COVER	COUVERCLE	ABDECKUNG.	CUBIERTA
80	D40685000	[A]	4	SCREW	VIS	SCHRAUBE	TORNILLO

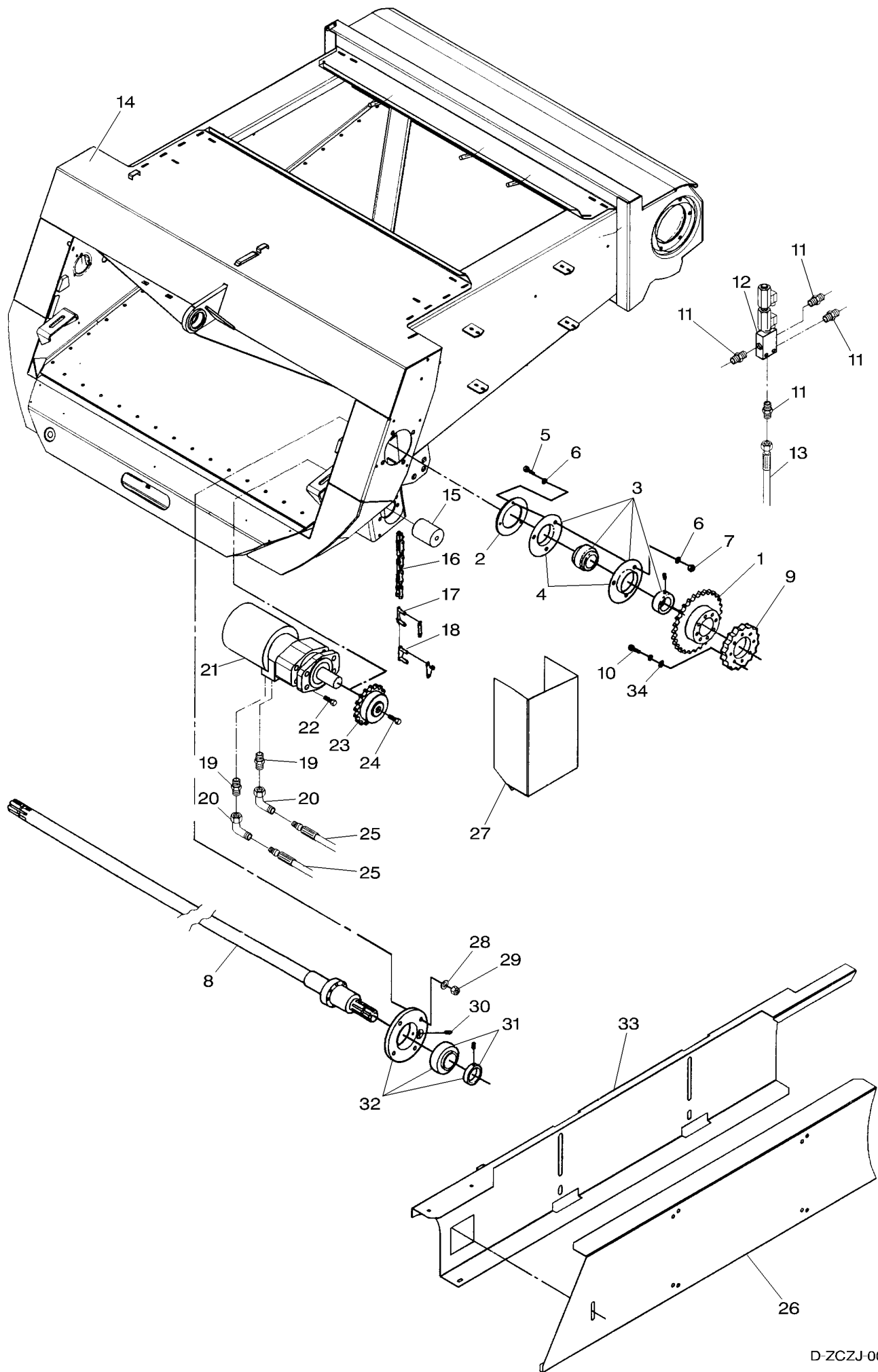
[A] COVER PLATES ARE USED FOR RYE GRASS ONLY
 PLAQUES D'OBTURATION A UTILISER SEULEMENT POUR RAY-GRASS
 ABDECKPLATTEN WERDEN NUR BEI LOLCH VERWENDEN
 OBTURADOR UTILISADO SOLAMENTE PARA RAY-GRASS

[B] OPTIONAL
 EN OPTION
 WAHLWEISE
 OPCIONAL





D-ZCAZ-004-A

2	D58281908		1	FRAME	BATI	RAHMEN	BASTIDOR
2	D58281909	AUTO LEVEL	1	FRAME	BATI	RAHMEN	BASTIDOR
3	D28281878	▶	1	COVER	COUVERCLE	ABDECKUNG.	CUBIERTA
4	D28281879	◀	1	COVER	COUVERCLE	ABDECKUNG.	CUBIERTA
5	D40685000		2	SCREW	VIS	SCHRAUBE	TORNILLO
6	D58280969		1	PLATE	PLAQUE	PLATTE	PLATO
7	D43429400		2	LATCH	VERROU	KLINKE	TOPE
8	D43429200		2	HOUSING	CARTER	GEHAEUSE	ALOJAMIENTO
9	D43429300		2	PUNCH	POINCON	DURCHSCHLAG	PUNZON
10	D43386900		2	GRIP	POIGNEE	HANDGRIFF	MANGO
11	391148X1	M8 X 20	4	SCREW	VIS	SCHRAUBE	TORNILLO
13	394367X1	M8	4	NUT	ECROU	MUTTER	TUERCA



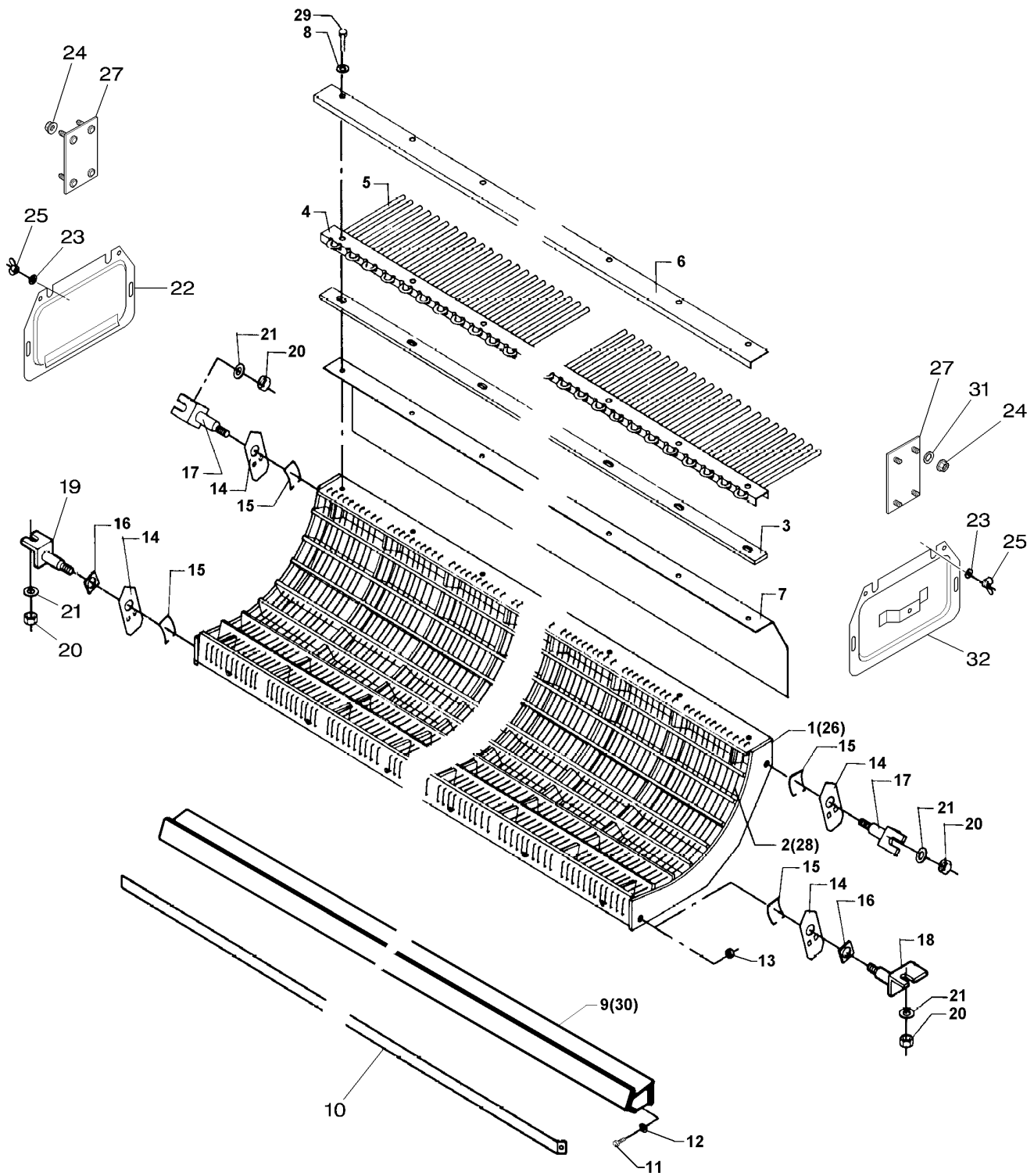
D-ZCZJ-002-A

1	D28281961		1	SPROCKET	BARBOTIN	KETTENRAD	RUEDA DE CADENA
2	D28284368		1	SHIM	CALE REGLAGE	AUSGLEICHSCHLEIBE	CALCE
3	D41707800		1	BEARING	COUSSINET	LAGER	COJINETE
4	D41701700		1	FLANGE	FLASQUE	FLANSCH	PLETINA
5	3009493X1	M10 X 30	1	HEX. SOCK. SCREW	VIS TETE HEX	ZYLINDERSCHRAUBE	TORN.CAB.HUECA
6	D20400507		2	SPACER	ENTRETOISE	ABSTANDSTUECK	DISCO ESPACIADOR
7	339402X1	M10	1	NUT SPECIAL	ECROU SPECIAL	SPEZIALMUTTER	TUERCA ESPECIAL
8	D28281789	CPL.	1	SHAFT	ARBRE	WELLE	ARBOL
8	D28281769		1	SHAFT	ARBRE	WELLE	ARBOL
8	D28281788		1	HUB	MOYEU	NABE	CUBO
9	D28281617	 16	1	SPROCKET	BARBOTIN	KETTENRAD	RUEDA DE CADENA
10	339891X1	M8 X 80	1	HEX. SOCK. SCREW	VIS TETE HEX	ZYLINDERSCHRAUBE	TORN.CAB.HUECA
11	D45255200		4	CONNECTOR	BORNE.	DOPPELNIPPEL	CONECTOR
12	D45110095		1	PRESSURE VALVE	VALVE	DRUCKVENTIL	VALVULA PRESION
13	D45132500		1	HYDR. HOSE	FLEXIBLE	HYDR. SCHLAUCH	TUBO HIDRAULICO
14	D58282340	8350	1	CONVEYOR	CONVOYEUR	FOERDERER	TRANSPORTADOR
14	D58282340	8300	1	CONVEYOR	CONVOYEUR	FOERDERER	TRANSPORTADOR
15	D28281954		1	TRANSDUCER	CAPTEUR	NABENTRIEB.	TRANSDUCER
16	D42339300		1	CHAIN	CHAINE	KETTE	CADENA
17	D42365900		1	LINK	MAILLON	GLIED	ESLABON
18	D42366000		1	LINK	MAILLON	GLIED	ESLABON
19	D45257300		2	UNION	RACCORD	VERSCHRAUBUNG	RACOR
20	D45264100		4	UNION	RACCORD	VERSCHRAUBUNG	RACOR
21	D45120025		1	ENGINE	MOTEUR	MOTOR	MOTOR
22	D40446500		4	SCREW	VIS	SCHRAUBE	TORNILLO
23	D28281981		1	SPROCKET	BARBOTIN	KETTENRAD	RUEDA DE CADENA
24	D40458300		1	SCREW	VIS	SCHRAUBE	TORNILLO
25	D45130035		2	HYDRAULIC HOSE	DURITE HYDRAULIC	HYDRAUL.SCHLAUCH	TUBO HYDRAULICO
25*	D45130142	 61490	2	HOSE	DURITE	SCHLAUCH	TUBO DE GOMA
26	D58281780		1	SHIELD	TOLE	SCHILD	BLINDAJE
27	D28281983		1	GUARD	GARDE	SCHUTZVORR	DEFENSA
28	D20400462		1	WASHER	RONDELLE	SCHEIBE	ARANDELA
29	1442739X1	M16	1	LOCKNUT	ECROU FREIN	SICHERUNGSMUTTER	CONTRATUERCA
30	339608X1	M10	1	GREASE FITTING	GRAISSEUR	DRUCKSCHMIERKOPF	ENGRASADOR
31	D41716400		1	BEARING	COUSSINET	LAGER	COJINETE
32	D41716400		1	BEARING	COUSSINET	LAGER	COJINETE
33	D58282109		1	FRAME	BATI	RAHMEN	BASTIDOR
34	D20400506		1	WASHER	RONDELLE	SCHEIBE	ARANDELA
35*	D45120030	[AB]	1	KIT, GASKET	JEU JOINTS PLATS	FLACHDICHT. SATZ	KIT JUNTA PLANA
35*	D45120031	21 [AC]	1	KIT, GASKET	JEU JOINTS PLATS	FLACHDICHT. SATZ	KIT JUNTA PLANA

[A] NOT ILLUSTRATED
NON ILLUSTRÉ
NICHT ILLUSTRIRT
NO ILUSTRADO

[B] ENGINE
MOTEUR
MOTOR
COMBUSTIBLE

[C] CLUTCH
EMBRAYAGE
KUPPLUNG
EMBRAGUE

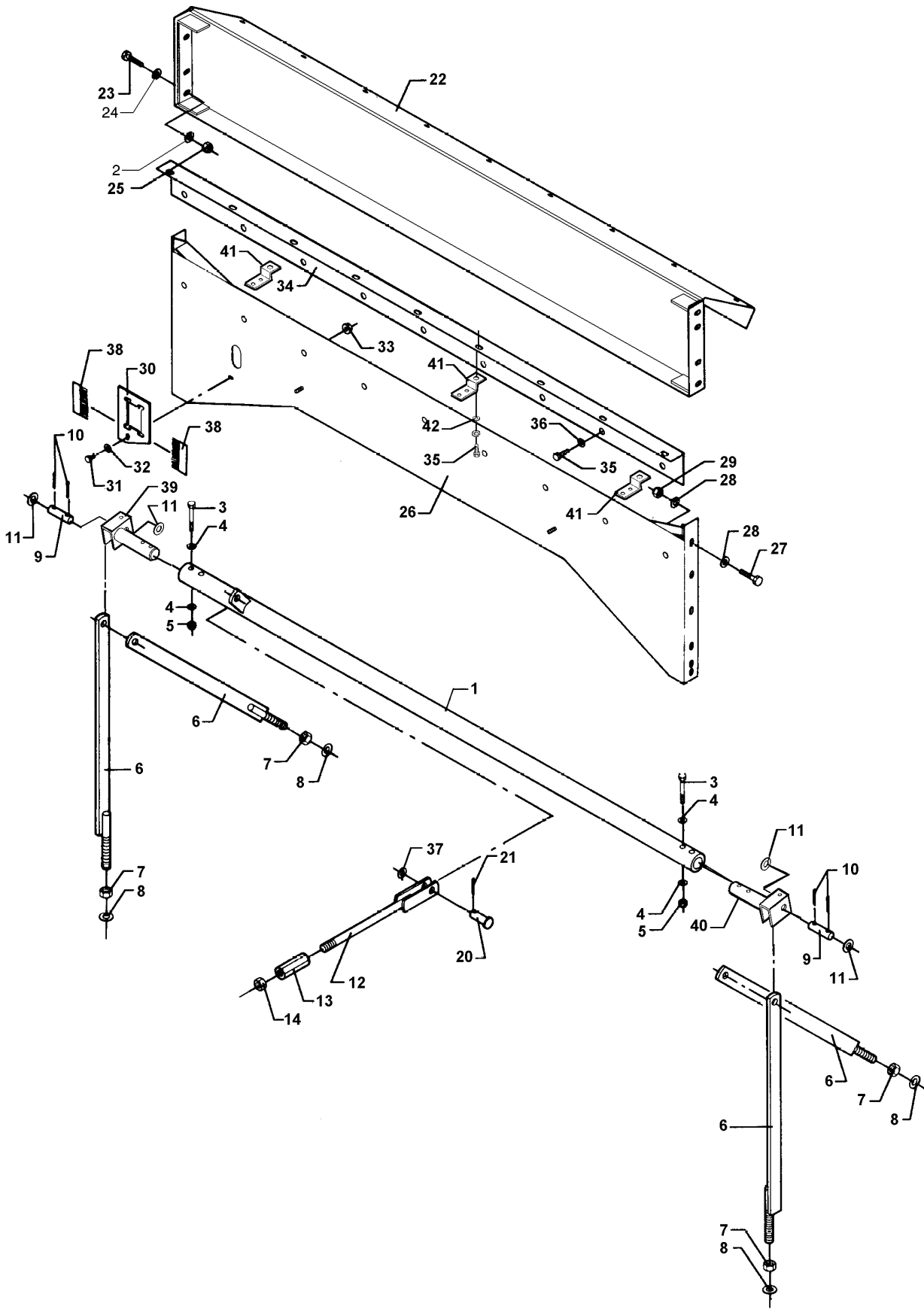


D-ZDZA-004-C

1	D28380519		1	CONCAVE	CONTRE BATTEUR	DRESCHKORB	CONCAVO
2	D28380075		X	WIRE	FIL	DRAHT	HILO
3	D28380596		1	WASHER	RONDELLE	SCHEIBE	ARANDELA
4	D28380598		1	PERFORATED PLATE	PLAQUE PERFOREE	LOCHBLECH	PLATO PERFORADO
5	D28350257		30	TINE	DENT A RESSORT	ZINKE	DIENTE.
6	D28380599		1	PERFORATED PLATE	PLAQUE PERFOREE	LOCHBLECH	PLATO PERFORADO
7	D28380597		1	SHIELD	TOLE	SCHILD	BLINDAJE
8	D20400415		15	WASHER	RONDELLE	SCHEIBE	ARANDELA
9	D28380401		1	CONCAVE	CONTRE BATTEUR	DRESCHKORB	CONCAVO
10	D28380191	1,5 X 30 ◀▶ 2850 mm	1	BLADE	LAME	KLINGE	HOJA CORTANTE
10	D28380449	[E] 1,5 X 40 ◀▶ 3500 mm	9	PLATE	PLAQUE	PLATTE	PLATO
10	D28380379	[E] 1,5 X 45	9	SIEVE	TRIEUR	SIEB	ZARANDA
11	339814X1	M10 X 35	7	HEX. SOCK. SCREW	VIS TETE HEX	ZYLINDERSCHRAUBE	TORN.CAB.HUECA
12	D20400419		7	WASHER	RONDELLE	SCHEIBE	ARANDELA
13	1440329X1	M10	7	LOCKNUT	ECROU FREIN	SICHERUNGSMUTTER	CONTRATUERCA
14	D28350146		4	PLATE	PLAQUE	PLATTE	PLATO
15	D28350031		4	SPRING	RESSORT	FEDER	MUELLE
16	D28350037		2	GAUGE	APPAREIL INDICAT	MESSGERAET	APARAT INDICADOR
17	D28380621		2	JOURNAL	TENON	LAGERZAPFEN	GORRON
18	D28380622		1	JOURNAL	TENON	LAGERZAPFEN	GORRON
19	D28385087		1	JOURNAL	TENON	LAGERZAPFEN	GORRON
20	339034X1	M16	4	NUT	ECROU	MUTTER	TUERCA
21	D28181284		4	WASHER	RONDELLE	SCHEIBE	ARANDELA
22	D28185271		1	COVER	COUVERCLE	ABDECKUNG.	CUBIERTA
23	D20400506		8	WASHER	RONDELLE	SCHEIBE	ARANDELA
24	394367X1	M8	8	NUT	ECROU	MUTTER	TUERCA
25	339106X1	M8	4	WING NUT	ECROU A AILETTES	FLUEGELMUTTER	TUERCA MARIPOSA
26	D28380504	[A]	1	CONCAVE	CONTRE BATTEUR	DRESCHKORB	CONCAVO
27	D28184058		2	PLATE	PLAQUE	PLATTE	PLATO
28	D28380493	[A]	X	WIRE	FIL	DRAHT	HILO
29	D40425900		15	SCREW	VIS	SCHRAUBE	TORNILLO
30	D28380495	[A]	1	CONCAVE	CONTRE BATTEUR	DRESCHKORB	CONCAVO
31	D20400506		8	WASHER	RONDELLE	SCHEIBE	ARANDELA
32	D28185626		1	COVER	COUVERCLE	ABDECKUNG.	CUBIERTA

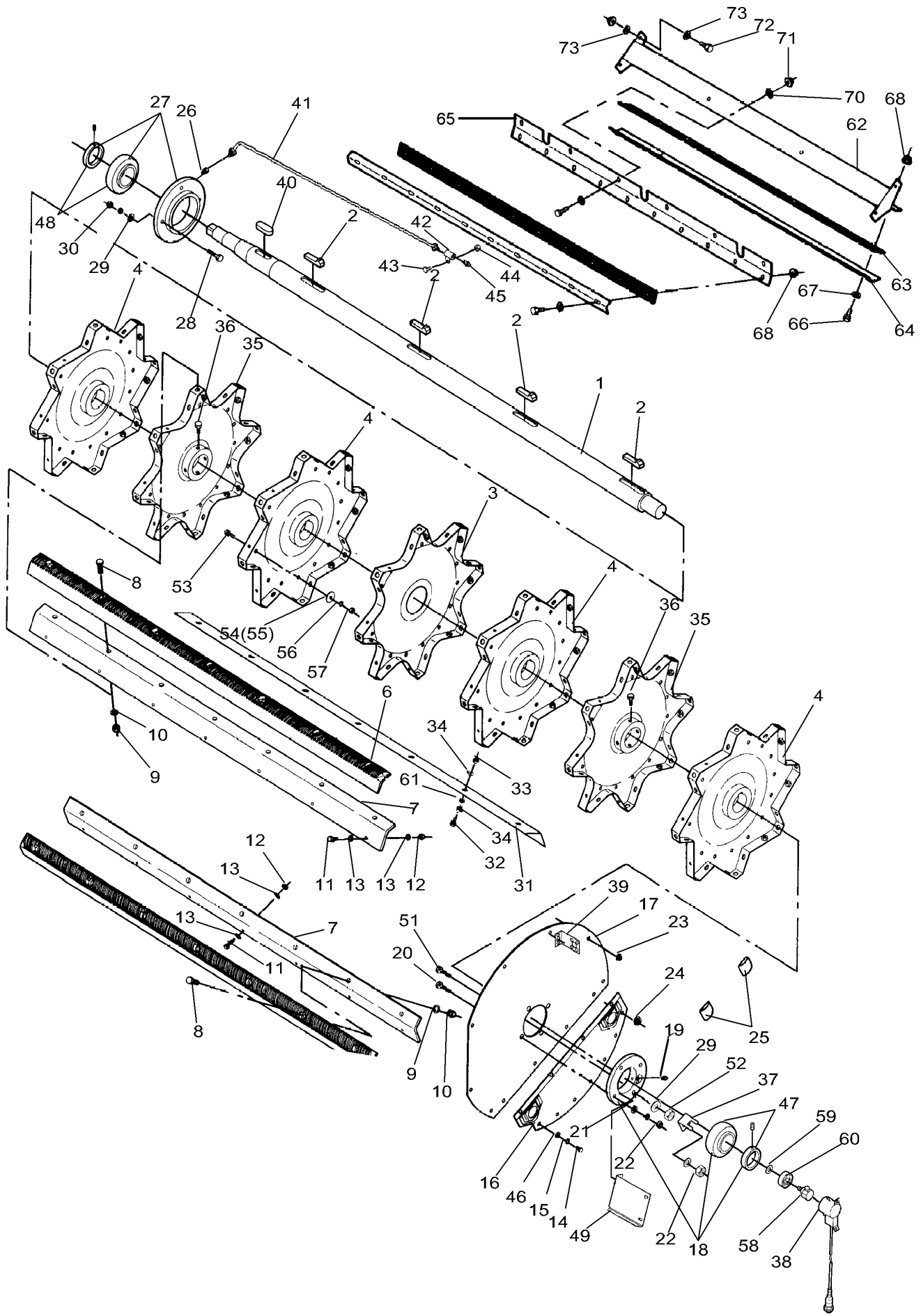
[A] OPTIONAL EXTRA MAIZE
 EQUIPEMENT ACCESSOIRES MAIS
 SONDERZUBEHOR, MAIS
 EQUIPAMIENTO ACCESORIO MAIZ

[E] FOR CLOVER
 POUR TREFLE
 FUR KLEE
 PARA TREBOL



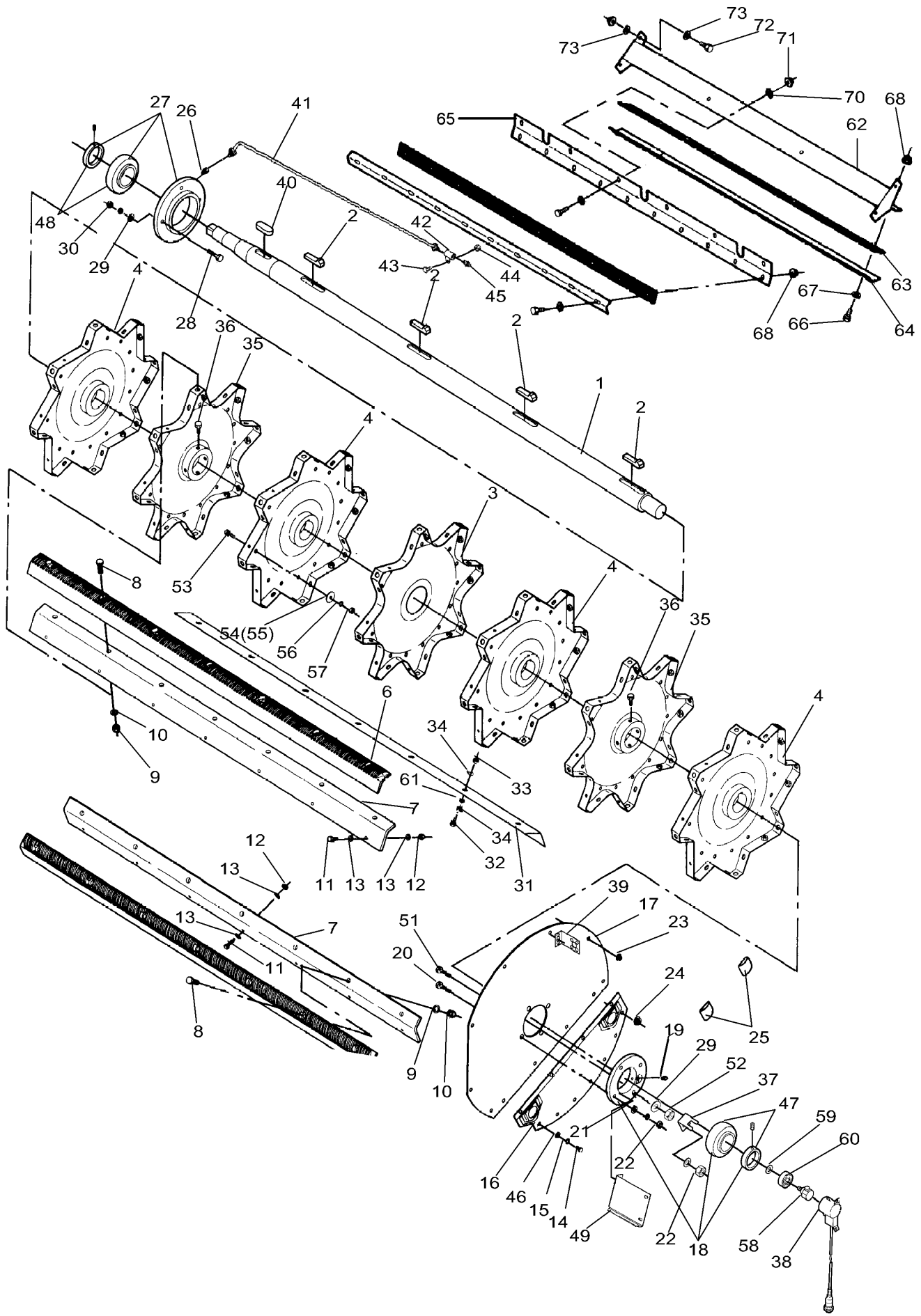
D-ZDZB-001-A

1	D28380144		1	SHAFT	ARBRE	WELLE	ARBOL
2	D20400424		8	WASHER	RONDELLE	SCHEIBE	ARANDELA
3	339204X1	M10 X 65	4	HEX. SOCK. SCREW	VIS TETE HEX	ZYLINDERSCHRAUBE	TORN.CAB.HUECA
4	D20400471		8	WASHER	RONDELLE	SCHEIBE	ARANDELA
5	1440329X1	M10	4	LOCKNUT	ECROU FREIN	SICHERUNGSMUTTER	CONTRATUERCA
6	D28380142		4	SUSPENSION	SUSPENSION	AUFHAENGUNG.	SUSPENSION
7	339034X1	M16	8	NUT	ECROU	MUTTER	TUERCA
8	D28181284		8	WASHER	RONDELLE	SCHEIBE	ARANDELA
9	D28384050		2	PIN	GOUPILLE	STIFT	PASADOR
10	D28384049		2	CLAMP	COLLIER	HALTESCHELLE	ABRAZADERA
11	1441462X1	M6	2	LOCKNUT	ECROU FREIN	SICHERUNGSMUTTER	CONTRATUERCA
12	D28980635		1	ROD	TRINGLE	STANGE	VARILLA
13	D28884116		1	NUT	ECROU	MUTTER	TUERCA
14	339034X1	M16	1	NUT	ECROU	MUTTER	TUERCA
20	D41486000		1	CLEVIS PIN	AXE	SPLINTBOLZEN	BULON CILINDRICO
21	354066X1	5/32" X 1	1	SPLIT PIN	GOUPILLE FENDUE	SPALTBOLZEN	PASADOR HENDIDO
22	D28180195		1	SUPPORT	SUPPORT	TRAGER	SOPORTE
23	3009509X1	M12 X 45	8	HEX. SOCK. SCREW	VIS TETE HEX	ZYLINDERSCHRAUBE	TORN.CAB.HUECA
24	D20400426		8	WASHER	RONDELLE	SCHEIBE	ARANDELA
25	1442190X1	M12	8	LOCKNUT	ECROU FREIN	SICHERUNGSMUTTER	CONTRATUERCA
26	D28181201		1	PLATE	PLAQUE	PLATTE	PLATO
27	3009509X1	M12 X 45	12	HEX. SOCK. SCREW	VIS TETE HEX	ZYLINDERSCHRAUBE	TORN.CAB.HUECA
28	D20400426		24	WASHER	RONDELLE	SCHEIBE	ARANDELA
29	1442190X1	M12	12	LOCKNUT	ECROU FREIN	SICHERUNGSMUTTER	CONTRATUERCA
30*	D28181144	●○ D28180188	1	PLATE	PLAQUE	PLATTE	PLATO
31	339560X1	M6 X 16	1	HEX. SOCK. SCREW	VIS TETE HEX	ZYLINDERSCHRAUBE	TORN.CAB.HUECA
32	391038X1		1	FLAT WASHER	RONDELLE PLATE	UNTERLEGSCHLEIBEN	ARANDELA PLANA
33	1441462X1	M6	1	LOCKNUT	ECROU FREIN	SICHERUNGSMUTTER	CONTRATUERCA
34	D28181088		1	REINFORCEMENT	RENFORT	VERSTAERKUNG	REFUERZO
35	3009493X1	M10 X 30	X	HEX. SOCK. SCREW	VIS TETE HEX	ZYLINDERSCHRAUBE	TORN.CAB.HUECA
36	D20400471		8	WASHER	RONDELLE	SCHEIBE	ARANDELA
37	D20400461		1	WASHER	RONDELLE	SCHEIBE	ARANDELA
38	D28180246	▶	2	BRUSH	BALAI	BUERSTE	ESCOBILLA
39	D28380312	◀	1	ARM	BRAS	SCHARHEBEL	BRAZO
40	D28384047		1	ARM	BRAS	SCHARHEBEL	BRAZO
41	D28780694		3	SUPPORT	SUPPORT	TRAGER	SOPORTE
42	D20400416		X	WASHER	RONDELLE	SCHEIBE	ARANDELA



D-ZDZC-009-B

1	D28380169		1	THRESHING CYL	TAMBOUR BATTAGE	DRESCHTROMMEL	CILINDRO BATIDOR
1	D28380314	1	1	SHAFT	ARBRE	WELLE	ARBOL
2	D43160200	1	4	GIB KEY	CLAVETTE A TALON	NASENKEIL	CHAVETA EN CUNA
3	D28380084	1	4	SPIDER	CROISILLON	KREUZSTUECK	CRUCETA
4	D28380085	1	4	SPIDER	CROISILLON	KREUZSTUECK	CRUCETA
6	D28080862	1	2	KIT, BEATER BAR	JEU BATTE	SCHLAGLEIST.SATZ	J.BARRA BATIDOR
6	D28080861	1	2	KIT, BEATER BAR	JEU BATTE	SCHLAGLEIST.SATZ	J.BARRA BATIDOR
7	D28380089	1	8	SUPPORT	SUPPORT	TRAGER	SOPORTE
8	3009509X1	1	56	HEX. SOCK. SCREW	VIS TETE HEX	ZYLINDERSCHRAUBE	TORN.CAB.HUECA
9	1442190X1	1	56	LOCKNUT	ECROU FREIN	SICHERUNGSMUTTER	CONTRATUERCA
10	D20400424	1	56	WASHER	RONDELLE	SCHEIBE	ARANDELA
11	D40425000	1	56	HEX. SOCK. SCREW	VIS TETE HEX	ZYLINDERSCHRAUBE	TORN.CAB.HUECA
12	394367X1	1	X	NUT	ECROU	MUTTER	TUERCA
13	D20400408	1	X	WASHER	RONDELLE	SCHEIBE	ARANDELA
14	339124X1		4	HEX. SOCK. SCREW	VIS TETE HEX	ZYLINDERSCHRAUBE	TORN.CAB.HUECA
15	D20400506		4	WASHER	RONDELLE	SCHEIBE	ARANDELA
16	D28380576		1	SHUTTER	OBTURATEUR	BLENDEVERSCHLUS	OBTURADOR
17	D28385011		1	COVER	COUVERCLE	ABDECKUNG.	CUBIERTA
18	D41715000		1	BEARING	COUSSINET	LAGER	COJINETE
19	339608X1		1	GREASE FITTING	GRAISSEUR	DRUCKSCHMIERKOPF	ENGRASADOR
20	390912X1		3	HEX. SOCK. SCREW	VIS TETE HEX	ZYLINDERSCHRAUBE	TORN.CAB.HUECA
21	D20400446		4	WASHER	RONDELLE	SCHEIBE	ARANDELA
22	3009695X1		4	NUT	ECROU	MUTTER	TUERCA
23	394367X1		8	NUT	ECROU	MUTTER	TUERCA
24	394367X1		7	NUT	ECROU	MUTTER	TUERCA
25	D27300181		4	SHUTTER	OBTURATEUR	BLENDEVERSCHLUS	OBTURADOR
26	D43009600		2	ADAPTOR	ADAPTEUR	REDUZIERNIPPEL	ADAPTADOR
27	D41716400		1	BEARING	COUSSINET	LAGER	COJINETE
28	3009509X1		4	HEX. SOCK. SCREW	VIS TETE HEX	ZYLINDERSCHRAUBE	TORN.CAB.HUECA
29	D20400446		4	WASHER	RONDELLE	SCHEIBE	ARANDELA
30	3009695X1		4	NUT	ECROU	MUTTER	TUERCA
31	D28380494		8	PLATE	PLAQUE	PLATTE	PLATO
32	339814X1		X	HEX. SOCK. SCREW	VIS TETE HEX	ZYLINDERSCHRAUBE	TORN.CAB.HUECA
33	1440329X1		X	LOCKNUT	ECROU FREIN	SICHERUNGSMUTTER	CONTRATUERCA
34	D20400473		X	WASHER	RONDELLE	SCHEIBE	ARANDELA
35	D28380202	1	2	HUB	MOYEU	NABE	CUBO
36	D40693800	1	8	SCREW	VIS	SCHRAUBE	TORNILLO
37	D28780749		1	RETAINER	RETENEUR	HALTERING	RETENEDOR
38	D28780514		1	SENSOR	DETECTEUR	SENSOR	DETECTOR
39	D28780772		1	RETAINER	RETENEUR	HALTERING	RETENEDOR
40	D43110600		1	KEY	CLAVETTE	STELLKEIL	CHAVETA
41	D28780803		1	TUBE	TUBE	ROHR	TUBO.
42	D43009200		1	BRACKET	SUPPORT FIXATION	HALTEAM	SOPORTE
43	339666X1		1	HEX. SOCK. SCREW	VIS TETE HEX	ZYLINDERSCHRAUBE	TORN.CAB.HUECA
44	1441462X1		1	LOCKNUT	ECROU FREIN	SICHERUNGSMUTTER	CONTRATUERCA
45	339003X1		1	GREASE FITTING	GRAISSEUR	DRUCKSCHMIERKOPF	ENGRASADOR
46	D20400506		4	WASHER	RONDELLE	SCHEIBE	ARANDELA
47	D41713200		1	BALL BEARING	ROULEMENT BILLES	KUGELLAGER	COJINETE DE BOLA
48	D41716400		1	BEARING	COUSSINET	LAGER	COJINETE
49	D28181126		1	BRACKET	SUPPORT FIXATION	HALTEAM	SOPORTE
51	D40411400		1	SCREW METRIC	VIS METRIQUE	SCHRAUBE METR	TORNILLO METRICO
52	D41012100		1	LOCKNUT	ECROU FREIN	SICHERUNGSMUTTER	CONTRATUERCA
53	3009493X1		X	HEX. SOCK. SCREW	VIS TETE HEX	ZYLINDERSCHRAUBE	TORN.CAB.HUECA
54	D20400421		X	WASHER	RONDELLE	SCHEIBE	ARANDELA
55	D20400422		X	WASHER	RONDELLE	SCHEIBE	ARANDELA
56	D41101900		X	SPRING WASHER	RONDELLE ELASTIQ	FEDERSCHEIBE	ARANDELA ELASTI.
57	339402X1		X	NUT SPECIAL	ECROU SPECIAL	SPEZIALMUTTER	TUERCA ESPECIAL
58	D28780516		1	INDUCTIVE SENSOR	CAPTEUR INDUCTIF	INDUKT EMPFANGER	CAPTADOR INDUCTI
59	D20400419		1	WASHER	RONDELLE	SCHEIBE	ARANDELA
60	1440487X1		1	BEAR. 6203 2RS	RLT 6203 2RS	LAGER 6203 2RS	RODA. 6203 2RS
61	D20400423		X	FLAT WASHER	RONDELLE PLATE	UNTERLEGSCHIEBEN	ARANDELA PLANA
62	D28380193		1	DEFLECTOR	DEFLECTEUR	ABWEISBLECH	DEFLECTOR
63	D28380132		2	SCRAPER	RACLETTTE	KRATZER	PALETA
64	D28380133		2	RAIL	RAIL	SCHIENE	RIEL
65	D28380131		1	DEFLECTOR	DEFLECTEUR	ABWEISBLECH	DEFLECTOR
66	339337X1		20	HEX. SOCK. SCREW	VIS TETE HEX	ZYLINDERSCHRAUBE	TORN.CAB.HUECA
67	D20400506		20	WASHER	RONDELLE	SCHEIBE	ARANDELA
68	394367X1		22	NUT	ECROU	MUTTER	TUERCA
69	3009493X1		6	HEX. SOCK. SCREW	VIS TETE HEX	ZYLINDERSCHRAUBE	TORN.CAB.HUECA
70	D20400416		12	WASHER	RONDELLE	SCHEIBE	ARANDELA
71	1440329X1		6	LOCKNUT	ECROU FREIN	SICHERUNGSMUTTER	CONTRATUERCA
72	3009493X1		X	HEX. SOCK. SCREW	VIS TETE HEX	ZYLINDERSCHRAUBE	TORN.CAB.HUECA
73	D20400416		8	WASHER	RONDELLE	SCHEIBE	ARANDELA

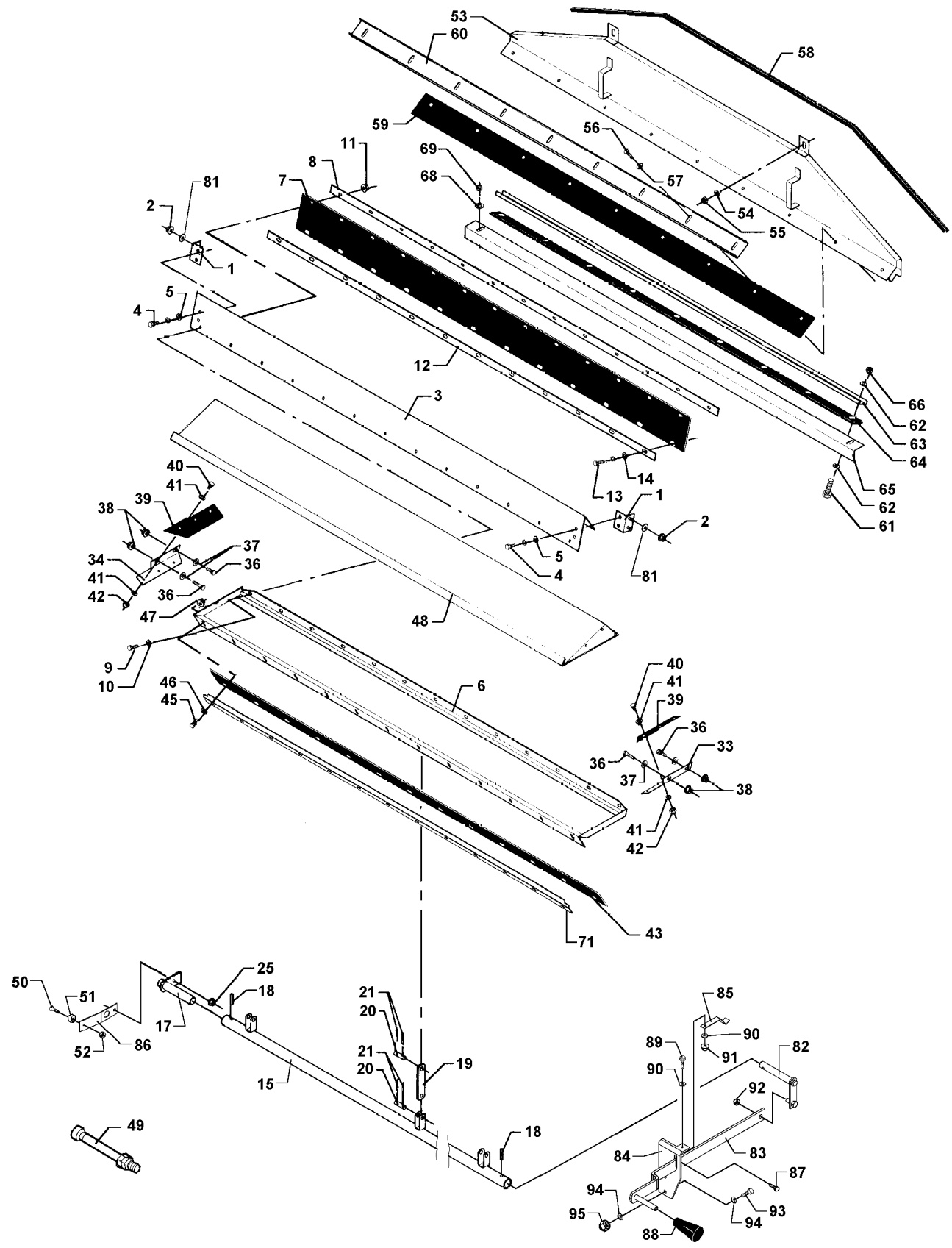


D-ZDZC-009-B

[A] MAIZE EQUIPMENT
EQUIPEMENT MAIS
MAISAUSRUESTUNG
EQUIPO PARA MAIZ

[B] OPTIONAL
EN OPTION
WAHLWEISE
OPCIONAL

[C] NOT ILLUSTRATED
NON ILLUSTRE
NICHT ILLUSTRIERT
NO ILUSTRADO

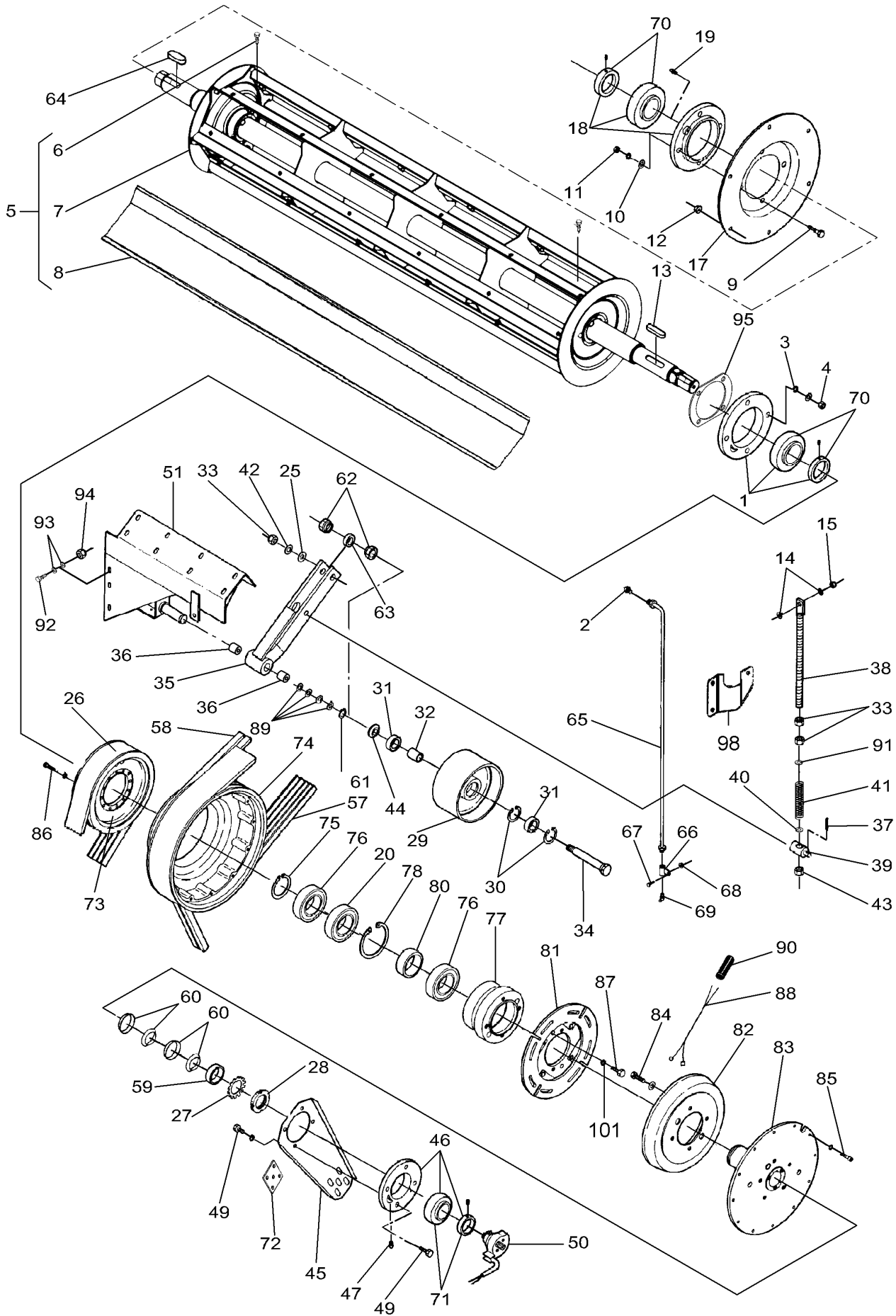


D-ZDZD-001-A

1	D28380105		2	ELBOW	COUDE	WINKELSTUECK	CODO
2	1440329X1	M10	4	LOCKNUT	ECROU FREIN	SICHERUNGSMUTTER	CONTRATUERCA
3	D28380380		1	PLATE	PLAQUE	PLATTE	PLATO
4	3009492X1	M10 X 25	4	HEX. SOCK. SCREW	VIS TETE HEX	ZYLINDERSCHRAUBE	TORN.CAB.HUECA
5	D20400471		4	WASHER	RONDELLE	SCHEIBE	ARANDELA
6	D28380117		1	STONE TRAP	BAC A PIERRES	STEIN-FALLE	TRAMPA P.PIEDRAS
7	D28380107		1	CURTAIN	RIDEAU	VORHANG	CORTINA
8	D28380108		1	PLATE	PLAQUE	PLATTE	PLATO
9	339804X1	M6 X 25	13	HEX. SOCK. SCREW	VIS TETE HEX	ZYLINDERSCHRAUBE	TORN.CAB.HUECA
10	391038X1		13	FLAT WASHER	RONDELLE PLATE	UNTERLEGSCHIEBEN	ARANDELA PLANA
11	1441462X1	M6	13	LOCKNUT	ECROU FREIN	SICHERUNGSMUTTER	CONTRATUERCA
12	D28380109		1	WASHER	RONDELLE	SCHEIBE	ARANDELA
13	339761X1	M8 X 25	12	HEX. SOCK. SCREW	VIS TETE HEX	ZYLINDERSCHRAUBE	TORN.CAB.HUECA
14	D20400506		12	WASHER	RONDELLE	SCHEIBE	ARANDELA
15	D28380110		1	SHAFT	ARBRE	WELLE	ARBOL
17	D28380112		1	SUPPORT	SUPPORT	TRAGER	SOPORTE
18	339071X1	∅ 6 X 30	2	PIN	GOUPILLE	STIFT	PASADOR
19	D28380113		3	STRAP	PATTE	LASCHE	FAJA
20	D28600299		6	PIN	GOUPILLE	STIFT	PASADOR
21	354057X1	1/8" X 3/4	12	SPLIT PIN	GOUPILLE FENDUE	SPALTBOLZEN	PASADOR HENDIDO
25	1441462X1	M6	1	LOCKNUT	ECROU FREIN	SICHERUNGSMUTTER	CONTRATUERCA
33	D28380118		1	SEAL	JOINT ETANCHEITE	DICHTRING	JUNTA REDONDA
34	D28380119		1	SEAL	JOINT ETANCHEITE	DICHTRING	JUNTA REDONDA
36	339761X1	M8 X 25	4	HEX. SOCK. SCREW	VIS TETE HEX	ZYLINDERSCHRAUBE	TORN.CAB.HUECA
37	D20400506		4	WASHER	RONDELLE	SCHEIBE	ARANDELA
38	394367X1	M8	4	NUT	ECROU	MUTTER	TUERCA
39	D28380148		2	SEAL	JOINT ETANCHEITE	DICHTRING	JUNTA REDONDA
40	339560X1	M6 X 16	6	HEX. SOCK. SCREW	VIS TETE HEX	ZYLINDERSCHRAUBE	TORN.CAB.HUECA
41	D20400404		12	WASHER	RONDELLE	SCHEIBE	ARANDELA
42	1441462X1	M6	6	LOCKNUT	ECROU FREIN	SICHERUNGSMUTTER	CONTRATUERCA
43	D28380171		1	STRIP	RUBAN	STREIFEN	TIRA
45	339761X1	M8 X 25	13	HEX. SOCK. SCREW	VIS TETE HEX	ZYLINDERSCHRAUBE	TORN.CAB.HUECA
46	D20400506		13	WASHER	RONDELLE	SCHEIBE	ARANDELA
47	394367X1	M8	13	NUT	ECROU	MUTTER	TUERCA
48	D28380163	[B]	1	PLATE	PLAQUE	PLATTE	PLATO
49	D28780365		1	SENSOR	DETECTEUR	SENSOR	DETECTOR
50	3000025X1	M4 X 25	1	SCREW	VIS	SCHRAUBE	TORNILLO
51	D45010092		1	MAGNET	AIMANT	MAGNET	IMAN
52	D41010400		1	NUT	ECROU	MUTTER	TUERCA
53	D28180632		1	COVER	COUVERCLE	ABDECKUNG.	CUBIERTA
54	D20400419		2	WASHER	RONDELLE	SCHEIBE	ARANDELA
55	1440329X1	M10	2	LOCKNUT	ECROU FREIN	SICHERUNGSMUTTER	CONTRATUERCA
56	339123X1	M8 X 20	9	HEX. SOCK. SCREW	VIS TETE HEX	ZYLINDERSCHRAUBE	TORN.CAB.HUECA
57	D20400506		9	WASHER	RONDELLE	SCHEIBE	ARANDELA
58	D44740600	◀▶ 25 M	X	STRIP	RUBAN	STREIFEN	TIRA
59	D28180409		1	SEAL	JOINT ETANCHEITE	DICHTRING	JUNTA REDONDA
60	D28180628		1	RAIL	RAIL	SCHIENE	RIEL
61	339337X1	M8 X 30	9	HEX. SOCK. SCREW	VIS TETE HEX	ZYLINDERSCHRAUBE	TORN.CAB.HUECA
62	D20400506		18	WASHER	RONDELLE	SCHEIBE	ARANDELA
63	D28180630		1	RAIL	RAIL	SCHIENE	RIEL
64	D28180629		1	DEFLECTOR	DEFLECTEUR	ABWEISBLECH	DEFLECTOR
65	D28180627		1	PROFILE	PROFIL	PROFIL	PERFIL
66	394367X1	M8	9	NUT	ECROU	MUTTER	TUERCA
68	D20400415		2	WASHER	RONDELLE	SCHEIBE	ARANDELA
69	339402X1	M10	4	NUT SPECIAL	ECROU SPECIAL	SPEZIALMUTTER	TUERCA ESPECIAL
71	D28380172	[A]	1	PLATE	PLAQUE	PLATTE	PLATO
81	D20400416		4	WASHER	RONDELLE	SCHEIBE	ARANDELA
82	D28385013		1	SHAFT	ARBRE	WELLE	ARBOL
83	D28385016		1	GRIP	POIGNEE	HANDGRIFF	MANGO
84	D28385017		1	CONSOLE	CONSOLE	CONSOLE	CONSOLA
85	D28385008		1	SPRING	RESSORT	FEDER	MUELLE
86	D28385009		1	BRACKET	SUPPORT FIXATION	HALTEAM	SOPORTE
87	D40690000		1	SCREW	VIS	SCHRAUBE	TORNILLO
88	D43389700		1	GRIP	POIGNEE	HANDGRIFF	MANGO
89	339666X1	M6 X 20	1	HEX. SOCK. SCREW	VIS TETE HEX	ZYLINDERSCHRAUBE	TORN.CAB.HUECA
90	391038X1		2	FLAT WASHER	RONDELLE PLATE	UNTERLEGSCHIEBEN	ARANDELA PLANA
91	1441462X1	M6	1	LOCKNUT	ECROU FREIN	SICHERUNGSMUTTER	CONTRATUERCA
92	1442190X1	M12	1	LOCKNUT	ECROU FREIN	SICHERUNGSMUTTER	CONTRATUERCA
93	339814X1	M10 X 35	2	HEX. SOCK. SCREW	VIS TETE HEX	ZYLINDERSCHRAUBE	TORN.CAB.HUECA
94	D20400507		4	SPACER	ENTRETOISE	ABSTANDSTUECK	DISCO ESPACIADOR
95	1440329X1	M10	2	LOCKNUT	ECROU FREIN	SICHERUNGSMUTTER	CONTRATUERCA

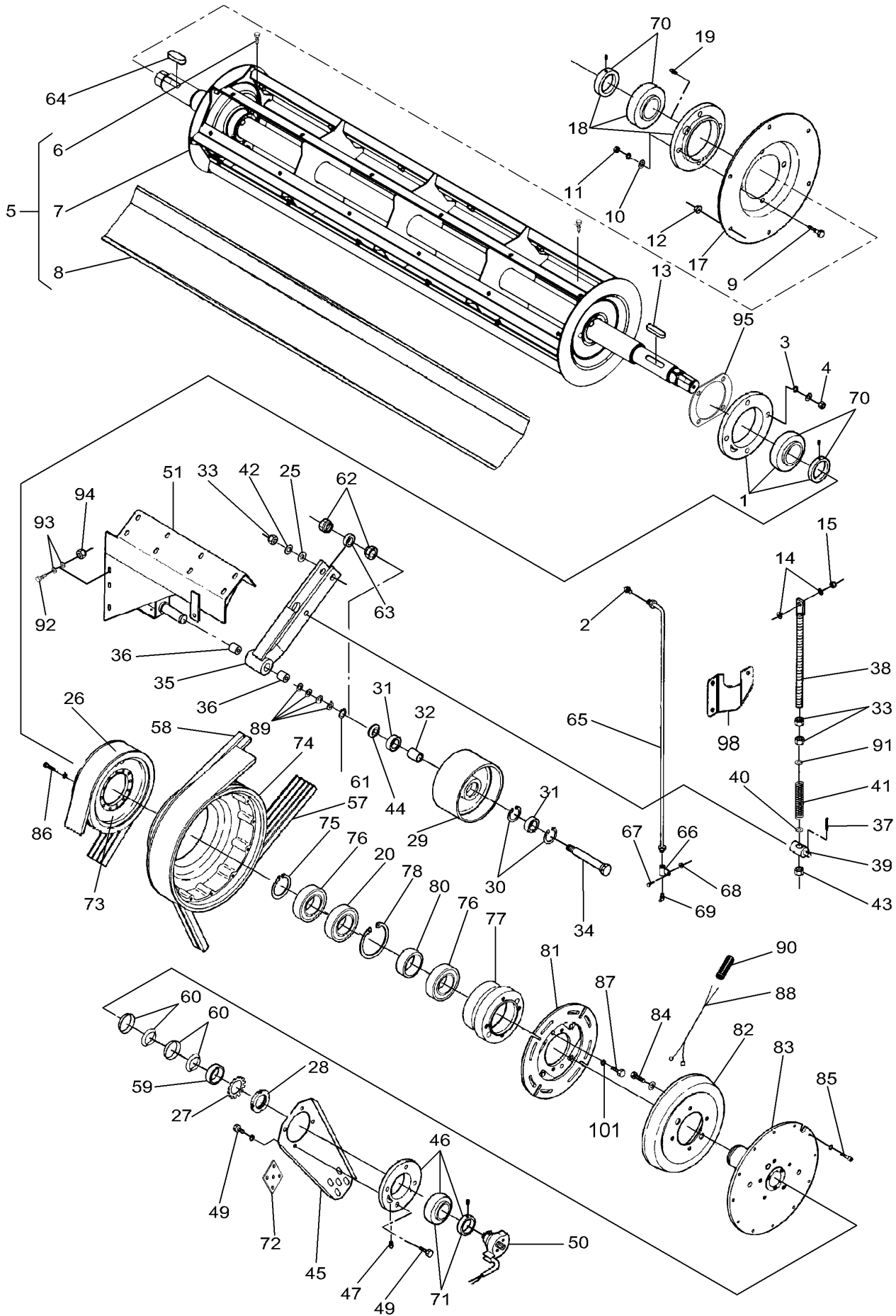
[A] STANDARD COMBINE
 MOISSONNEUSE-BATTEUSE STANDARD
 STANDARD MASCHINE
 COSECHADORA ESTANDAR

[B] MAIZE EQUIPMENT
 EQUIPEMENT MAIS
 MAISAUSRUESTUNG
 EQUIPO PARA MAIZ



D-ZDZE-008-C

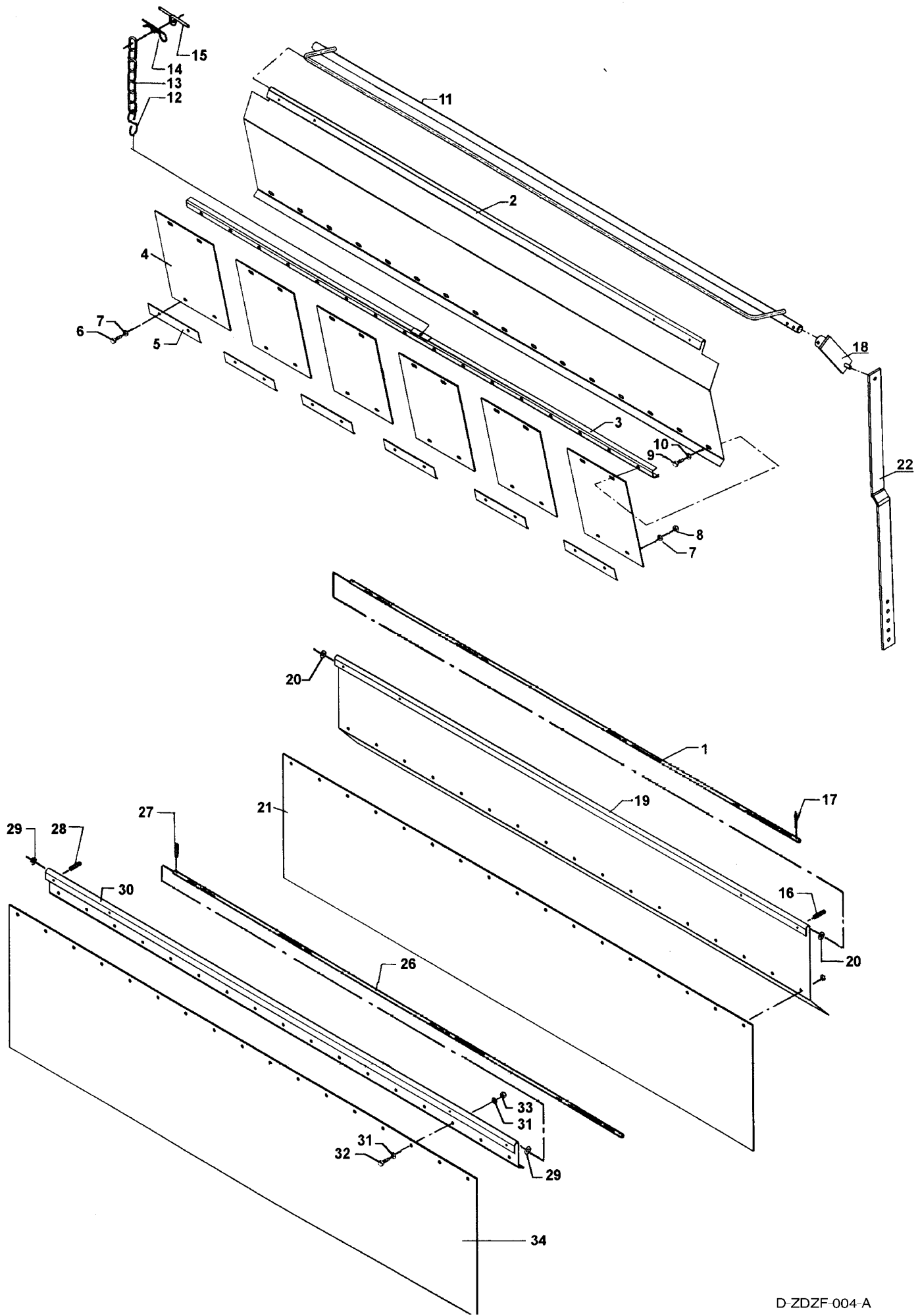
1 D41717300	CPL.	1 BEARING	COUSSINET	LAGER	COJINETE
2 D43009900	M8X1	1 GREASE	GRAISSE	FETT	GRASA
3 D20400446		4 WASHER	RONDELLE	SCHEIBE	ARANDELA
4 3009695X1	M12	4 NUT	ECROU	MUTTER	TUERCA
5 D28385021		1 REAR BEATER	TAMBOUR DEFLECT	HINT.SCHLAEGER	BATIDOR TRASERO
6 D40697900	5	2 SCREW	VIS	SCHRAUBE	TORNILLO
7 D28385022	5	1 BEATER	BATTEUR	SCHLAEGER	BATIDOR
8 D28380423	5	6 PLATE	PLAQUE	PLATTE	PLATO
9 3009509X1	M12 X 45	4 HEX. SOCK. SCREW	VIS TETE HEX	ZYLINDERSCHRAUBE	TORN.CAB.HUECA
10 D20400446		4 WASHER	RONDELLE	SCHEIBE	ARANDELA
11 3009695X1	M12	4 NUT	ECROU	MUTTER	TUERCA
12 394367X1	M8	6 NUT	ECROU	MUTTER	TUERCA
13 D43159000		1 KEY	CLAVETTE	STELLKEIL	CHAVETA
14 D20400471		2 WASHER	RONDELLE	SCHEIBE	ARANDELA
15 1440329X1	M10	1 LOCKNUT	ECROU FREIN	SICHERUNGSMUTTER	CONTRATUERCA
17 D28380103		1 COVER	COUVERCLE	ABDECKUNG.	CUBIERTA
18 D41717300	CPL.	1 BEARING	COUSSINET	LAGER	COJINETE
19 339003X1	M8	1 GREASE FITTING	GRAISSEUR	DRUCKSCHMIERKOPF	ENGRASADOR
20 D41617700		1 BEAR. 6015 2RS	RLT 6015 2RS	LAGER 6015 2RS	RODA. 6015 2RS
25 D20400460		1 WASHER	RONDELLE	SCHEIBE	ARANDELA
26 D41979800		1 BELT	COURROIE	RIEMEN	CORREA
27 D28780617		1 KIT, WASHER	JEU RONDELLES	SCHEIBENSATZ	JUEGO ARANDELAS
28 D25700322		1 NUT	ECROU	MUTTER	TUERCA
29 D28780486		1 PULLEY	POULIE	RIEMENSCHLEIBE	POLEA
30 339199X1		2 CIRCLIP	CIRCLIP	SEEGERING	GRAPA CIRCULAR
31 SKF62042RS		2 BEAR. 6204 2RS	RLT 6204 2RS	LAGER 6204 2RS	RODA. 6204 2RS
32 D28780007		1 RING	ANNEAU	RING.	ANILLO
33 339034X1	M16	2 NUT	ECROU	MUTTER	TUERCA
34 D28780008		1 BOLT	BOULON	BOLZEN	BULON
35 D28786659	CPL.	1 LEVER	LEVIER	HEBEL	PALANCA
35 D28787003		1 ARM	BRAS	SCHARHEBEL	BRAZO
36 D43364800	35	2 BUSH	BAGUE	RING	CASQUILLO
37 339129X1	⊙ 3,2 X 25	1 SPLIT PIN	GOUPILLE FENDUE	SPALTBOLZEN	PASADOR HENDIDO
38 D28380011		1 TIE ROD	TRINGLERIE	ZUGSTANGE	BRAZO DE ENLACE
39 D28780030		1 PIVOT	PIVOT	DREHZAPFEN.	PIVOTE
40 D20400459		2 WASHER	RONDELLE	SCHEIBE	ARANDELA
41 D28210881		1 COMP.SPRING	RESSORT DE COMPR	DRUCKFEDER	RESORTE DE COMP.
42 D20400459		1 WASHER	RONDELLE	SCHEIBE	ARANDELA
43 1442739X1	M16	1 LOCKNUT	ECROU FREIN	SICHERUNGSMUTTER	CONTRATUERCA
44 D28380003		1 RING	ANNEAU	RING.	ANILLO
45 D28380020		1 YOKE	CHAPE ARTICULAT	GELENKGABEL	YUGO
46 D41711000		1 FLANGE	FLASQUE	FLANSCH	PLETINA
47 1441858X1		1 GREASE FITTING	GRAISSEUR	DRUCKSCHMIERKOPF	ENGRASADOR
49 3009507X1	M12 X 35	4 HEX. SOCK. SCREW	VIS TETE HEX	ZYLINDERSCHRAUBE	TORN.CAB.HUECA
50 D28780404		1 RETAINER	RETENEUR	HALTERING	RETENEDOR
51 D28780830		1 TENSIONER	TENDEUR	SPANNER	TENSOR
52 D40425900	[A]	4 SCREW	VIS	SCHRAUBE	TORNILLO
57 D41990059	👁 11-1 No 45	1 BELT	COURROIE	RIEMEN	CORREA
58 D41990001	👁 6-6 No	2 V BELT	COURROIE TRAPEZ	KEILRIEMEN	CORREA EN V
59 D28380195		1 BUSH	BAGUE	RING	CASQUILLO
60 D42595900		2 TIGHTENER	TENSEUR	SPANNROLLE	TENSADOR
61 1440476X1		1 CIRCLIP	CIRCLIP	SEEGERING	GRAPA CIRCULAR
62 D28780777		2 ECCENTRIC	EXCENTRIQUE	EXZENTER	ECCENTRICA
63 D28780776		1 SPACER	ENTRETOISE	ABSTANDSTUECK	DISCO ESPACIADOR
64 D43110600		1 KEY	CLAVETTE	STELLKEIL	CHAVETA
65 D28780803		1 TUBE	TUBE	ROHR	TUBO.
66 D43009200		1 BRACKET	SUPPORT FIXATION	HALTEAM	SOPORTE
67 339560X1	M6 X 16	1 HEX. SOCK. SCREW	VIS TETE HEX	ZYLINDERSCHRAUBE	TORN.CAB.HUECA
68 1441462X1	M6	1 LOCKNUT	ECROU FREIN	SICHERUNGSMUTTER	CONTRATUERCA
69 339003X1		1 GREASE FITTING	GRAISSEUR	DRUCKSCHMIERKOPF	ENGRASADOR
70 D41717400		2 BEARING ASSY	ROULEMENT	RADIALLAGER	RODAMIENTO RAD
71 D41705700		X BALL BEARING	ROULEMENT BILLES	KUGELLAGER	COJINETE DE BOLA
72 D28380178		1 DOG	CHIEN	KLAUE	PRISIONERO
73 D28380300	CPL.	1 CLUTCH	EMBAYAGE	SCHALTKUPPLUNG	EMBRAGUE
73*D28380700	➡ 61365 CPL.	1 CLUTCH	EMBAYAGE	SCHALTKUPPLUNG	EMBRAGUE
73 D28380047	73	1 PULLEY	POULIE	RIEMENSCHLEIBE	POLEA
74 D28380045	73	1 PULLEY	POULIE	RIEMENSCHLEIBE	POLEA
75 D42505500	73	1 CIRCLIP	CIRCLIP	SEEGERING	GRAPA CIRCULAR
76 D41617700	73	2 BEAR. 6015 2RS	RLT 6015 2RS	LAGER 6015 2RS	RODA. 6015 2RS
77 D28380285	73	1 BEARING CARRIER	PALIER	LAGER GEHAEUSE	COJINETE APOYO
77*D28380701	73 ➡ 61365	1 HUB	MOYEU	NABE	CUBO
78 D42516700	73	1 CIRCLIP	CIRCLIP	SEEGERING	GRAPA CIRCULAR
80 D28380658	73	1 RING	ANNEAU	RING.	ANILLO
80*D28380703	73 ➡ 61365	1 SPACER	ENTRETOISE	ABSTANDSTUECK	DISCO ESPACIADOR
81 D45060300	73	1 PLATE	PLAQUE	PLATTE	PLATO
81*D45080168	73 ➡ 61365	1 MAGNET	AIMANT	MAGNET	IMAN
82 D45060200	73	1 MAGNET	AIMANT	MAGNET	IMAN
82*D45080169	73 ➡ 61365	1 PLATE	PLAQUE	PLATTE	PLATO
83 D28380286	73	1 HUB	MOYEU	NABE	CUBO
83*D28380702	73 ➡ 61365	1 HUB	MOYEU	NABE	CUBO
84 D40410700	73	4 SCREW	VIS	SCHRAUBE	TORNILLO



D-ZDZE-008-C

84*D40464200	73 ➡ 61365	4 SCREW	VIS	SCHRAUBE	TORNILLO
85 1440349X1	73 M8 X 30	12 SCREW	VIS	SCHRAUBE	TORNILLO
86 339337X1	73 M8 X 30	12 HEX. SOCK. SCREW	VIS TETE HEX	ZYLINDERSCHRAUBE	TORN.CAB.HUECA
87 339139X1	73 M12 X 25	4 HEX. SOCK. SCREW	VIS TETE HEX	ZYLINDERSCHRAUBE	TORN.CAB.HUECA
87*D40464300	73 ➡ 61365	4 SCREW	VIS	SCHRAUBE	TORNILLO
88 D28850906	73	1 HARNESS	FAISCEAU	KABELBAUM	MAZO CABLES
89 D20400531		4 SPACER	ENTRETOISE	ABSTANDSTUECK	DISCO ESPACIADOR
90 D28751867		X SHEATH	GAINÉ	HUELLE	FUNDA
90*D28380704	➡ 61365	X FLEXIBLE TUBE	TUBE FLEXIBLE	FLEXIBLES ROHR	TUBO FLEXIBLE
91 D28181284		1 WASHER	RONDELLE	SCHEIBE	ARANDELA
92 D40407200	M10 X 45	4 HEX. SOCK. SCREW	VIS TETE HEX	ZYLINDERSCHRAUBE	TORN.CAB.HUECA
93 D20400473		8 WASHER	RONDELLE	SCHEIBE	ARANDELA
94 D41092500		4 NUT	ECROU	MUTTER	TUERCA
95 D28385023		1 SHIM	CALE REGLAGE	AUSGLEICHSCHEIBE	CALCE
96 D41102100	[A]	1 WASHER	RONDELLE	SCHEIBE	ARANDELA
97 D41100900	[A]	1 SPRING WASHER	RONDELLE ELASTIQ	FEDERSCHEIBE	ARANDELA ELASTI.
98*D28285889	[D]	1 BRACKET	SUPPORT FIXATION	HALTEAM	SOPORTE
99*D45010003	[A]	2 PLUG	BOUCHON	STOPFEN	TAPON
100*D45067900	[A]	2 CAP	CHAPEAU	KAPPE	TAPA
101*D41652600		4 WASHER	RONDELLE	SCHEIBE	ARANDELA

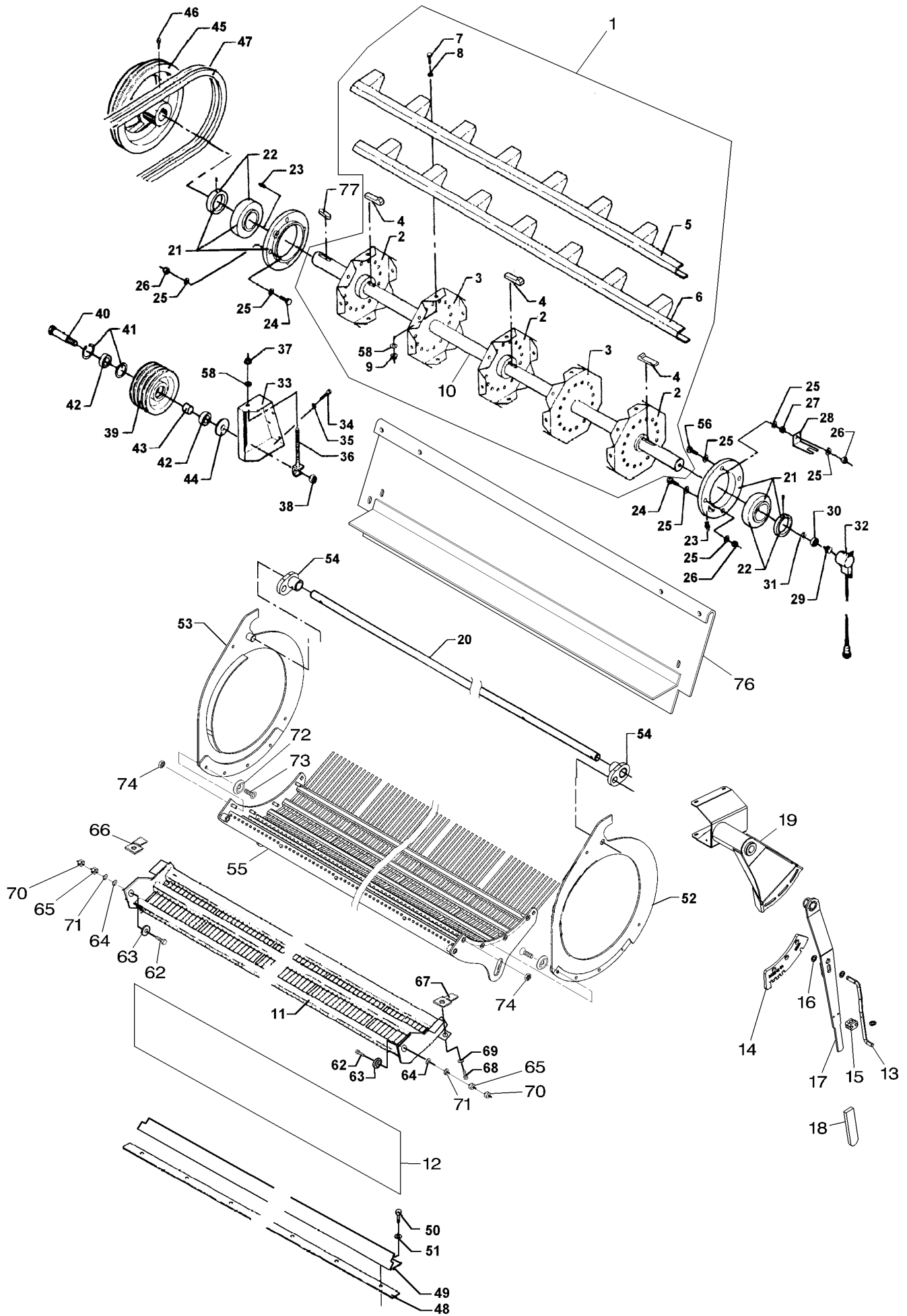
[A] NOT ILLUSTRATED
NON ILLUSTRE
NICHT ILLUSTRIRT
NO ILUSTRADO



D-ZDZF-004-A

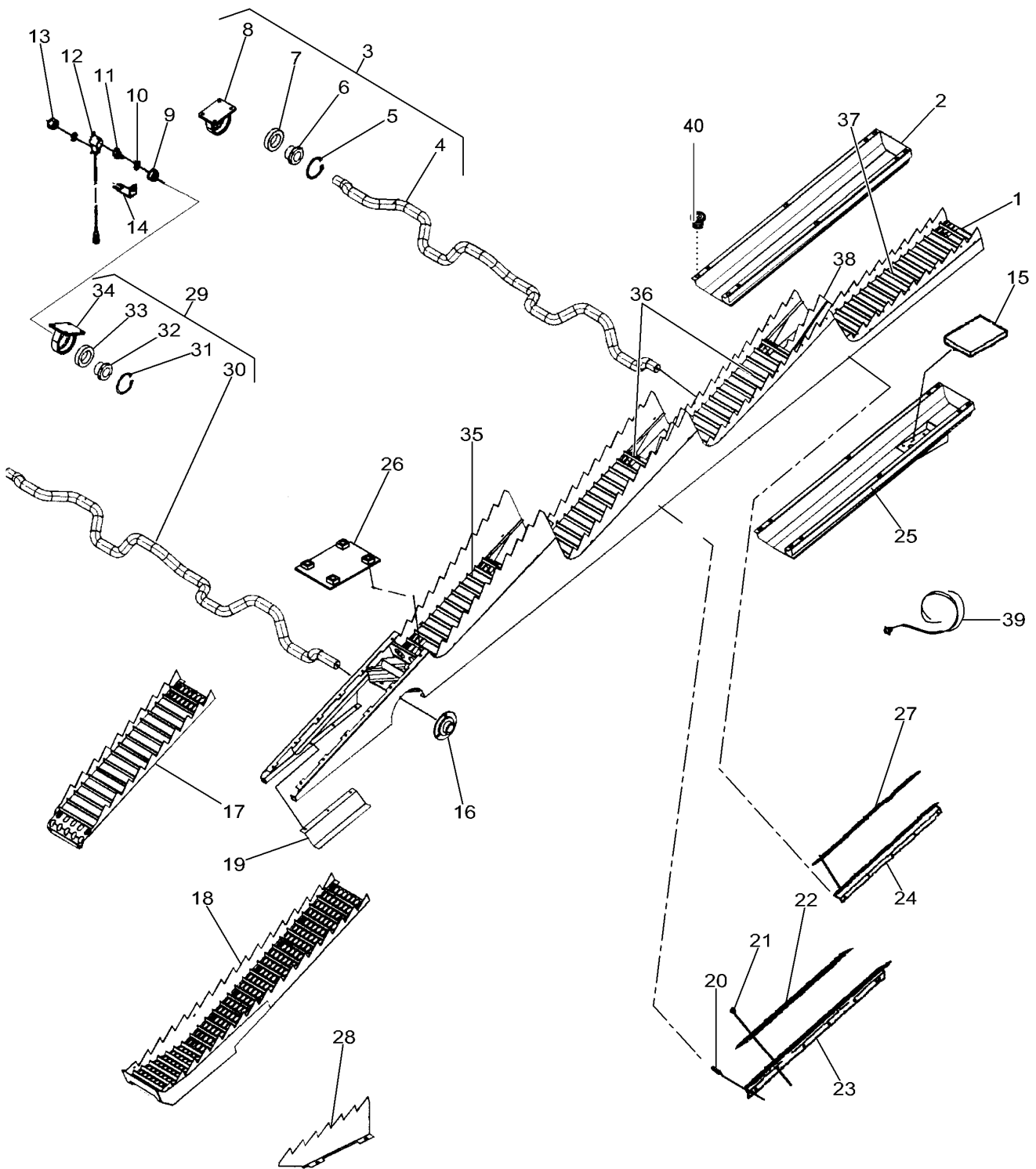
1	D28180133		2	SHAFT	ARBRE	WELLE	ARBOL
2	D28380529		3	GUARD	GARDE	SCHUTZVORR	DEFENSA
3	D28380530		1	RAIL	RAIL	SCHIENE	RIEL
4	D28380528		6	PLATE	PLAQUE	PLATTE	PLATO
5	D28380527		6	REINFORCEMENT	RENFORT	VERSTAERKUNG	REFUERZO
6	339761X1	M8 X 25	12	HEX. SOCK. SCREW	VIS TETE HEX	ZYLINDERSCHRAUBE	TORN.CAB.HUECA
7	D20400506		24	WASHER	RONDELLE	SCHEIBE	ARANDELA
8	1441462X1	M6	12	LOCKNUT	ECROU FREIN	SICHERUNGSMUTTER	CONTRATUERCA
9	339666X1	M6 X 20	12	HEX. SOCK. SCREW	VIS TETE HEX	ZYLINDERSCHRAUBE	TORN.CAB.HUECA
10	D20400405		24	WASHER	RONDELLE	SCHEIBE	ARANDELA
11	D28380535		1	SUSPENSION	SUSPENSION	AUFHAENGUNG.	SUSPENSION
12	D42386000		1	HOOK	CROCHET	HAKEN	GANCHO
13	D28180405		1	CHAIN	CHAINE	KETTE	CADENA
14	D27100120		1	HAIR PIN	EPINGLE	SICHERUNGSFEDER	RETENEDOR ELAST
15	D21100341		1	RETAINER	RETENEUR	HALTERING	RETENEDOR
16	354066X1	5/32" X 1	14	SPLIT PIN	GOUPILLE FENDUE	SPALTBOLZEN	PASADOR HENDIDO
17	D44358000		6	HAIR PIN	EPINGLE	SICHERUNGSFEDER	RETENEDOR ELAST
18	D28380538		1	ARM	BRAS	SCHARHEBEL	BRAZO
19	D28181019		1	COWL	GARANT	AUFSATZ	CAPERUZA
20	D20400419		84	WASHER	RONDELLE	SCHEIBE	ARANDELA
21	D28181903		1	GUARD	GARDE	SCHUTZVORR	DEFENSA
22	D28285618		1	ROD	TRINGLE	STANGE	VARILLA
26	D28180133	[A]	1	SHAFT	ARBRE	WELLE	ARBOL
27	D44358000	[A]	X	HAIR PIN	EPINGLE	SICHERUNGSFEDER	RETENEDOR ELAST
28	354066X1	[A]	X	SPLIT PIN	GOUPILLE FENDUE	SPALTBOLZEN	PASADOR HENDIDO
		5/32" X 1					
29	D20400419	[A]	X	WASHER	RONDELLE	SCHEIBE	ARANDELA
30	D28181723	[A]	1	GUARD	GARDE	SCHUTZVORR	DEFENSA
31	D20400405	[A]	X	WASHER	RONDELLE	SCHEIBE	ARANDELA
32	339560X1	[A]	X	HEX. SOCK. SCREW	VIS TETE HEX	ZYLINDERSCHRAUBE	TORN.CAB.HUECA
		M6 X 16					
33	1441462X1	[A]	X	LOCKNUT	ECROU FREIN	SICHERUNGSMUTTER	CONTRATUERCA
		M6					
34	D28181710	[A]	1	GUARD	GARDE	SCHUTZVORR	DEFENSA

[A] FOR MACHINES WITHOUT ROTARY SEPARATOR
POUR MACHINES SANS SEPARATEUR ROTATIF
FUER MASCHINEN OHNE KORNER- ABSCHIEDER
PARA MAQUINAS SIN SEPARADO DE GRANO ROTATIVO



D-ZDZG-004-E

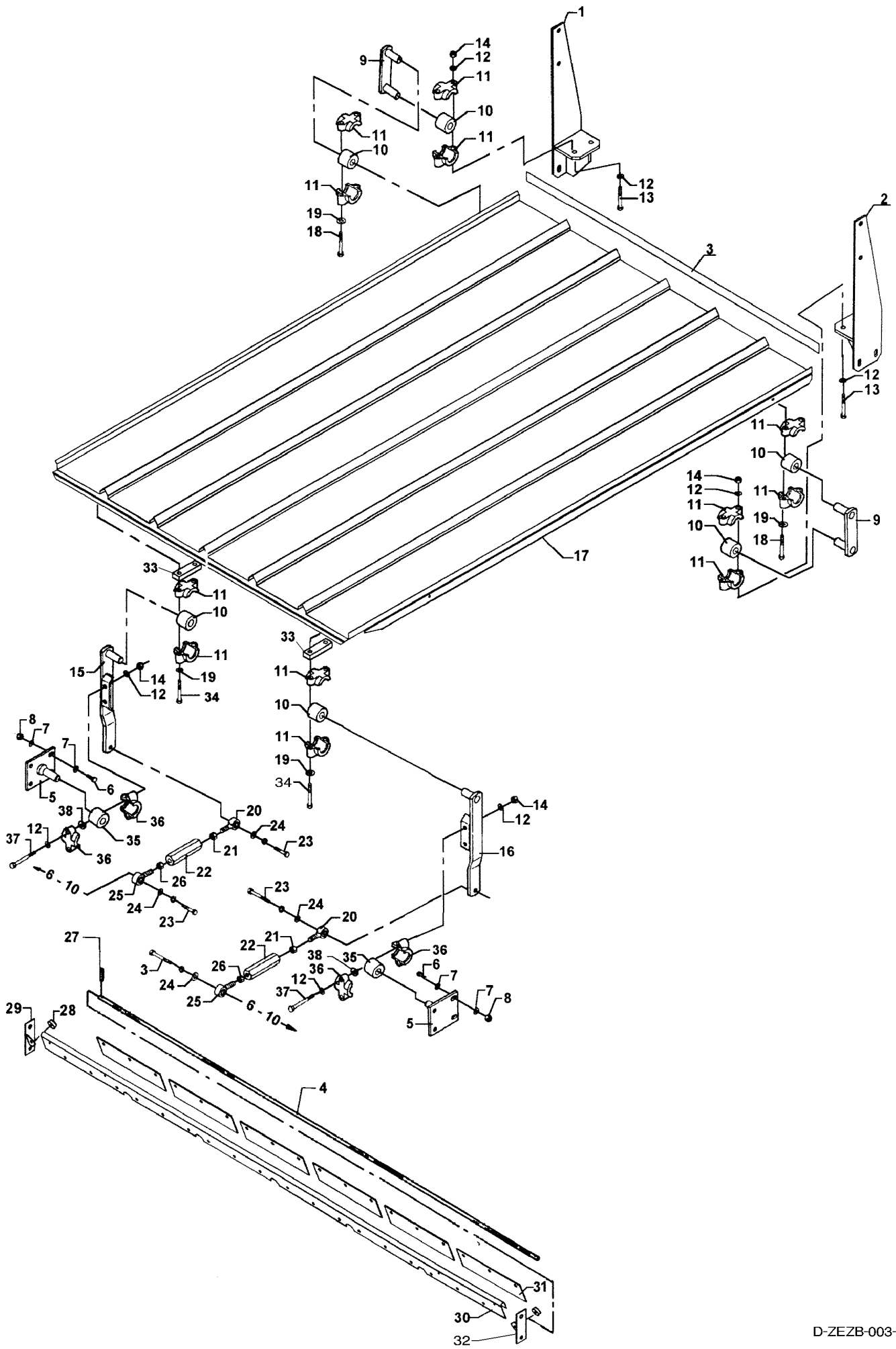
1	D28380260		1	CYLINDER	CYLINDRE	ZYLINDER	CILINDRO
2	D28380258	1	3	PLATE	PLAQUE	PLATTE	PLATO
3	D28380256	1	2	SPIDER	CROISILLON	KREUZSTUECK	CRUCETA
4	D43154900	1	3	GIB KEY	CLAVETTE A TALON	NASENKEIL	CHAVETA EN CUNA
5	D28380254	1	4	BATT	BATTE	HASPELLATTE	PALETA D MOLINET
6	D28380255	1	4	BATT	BATTE	HASPELLATTE	PALETA D MOLINET
7	339814X1	1	40	HEX. SOCK. SCREW	VIS TETE HEX	ZYLINDERSCHRAUBE	TORN.CAB.HUECA
8	D20400415	1	40	WASHER	RONDELLE	SCHEIBE	ARANDELA
9	1440329X1	1	40	LOCKNUT	ECROU FREIN	SICHERUNGSMUTTER	CONTRATUERCA
10	D28380259	1	1	SHAFT	ARBRE	WELLE	ARBOL
11	D28380382		1	BEATER	BATTEUR	SCHLAEGER	BATIDOR
11	D28380346	◀ 120 mm	2	WIRE	FIL	DRAHT	HILO
11	D28380347	▶ 140 mm	2	WIRE	FIL	DRAHT	HILO
11	D28380348	◀ 208 mm	74	WIRE	FIL	DRAHT	HILO
12	D28380203		1	GUARD	GARDE	SCHUTZVORR	DEFENSA
13	D28385047		1	PAWL	LINGUET	SPERRKLINKE	FIADOR TRINQUETE
14	D28385043		1	SCALE	BASCULE	WAAGE	BASCULA
15	D45730008		1	CLAMP	COLLIER	HALTESCHELLE	ABRAZADERA
16	339072X1		3	WASHER	RONDELLE	SCHEIBE	ARANDELA
17	D28385044		1	LEVER	LEVIER	HEBEL	PALANCA
18	D43484900		1	LEVER	LEVIER	HEBEL	PALANCA
19	D28385048		1	MOUNTING	MONTANT	HALTERUNG	MONTANTE
20	D28380439		1	SHAFT	ARBRE	WELLE	ARBOL
21	D41711000		2	FLANGE	FLASQUE	FLANSCH	PLETINA
22	D41705700		2	BALL BEARING	ROULEMENT BILLES	KUGELLAGER	COJINETE DE BOLA
23	1441858X1		2	GREASE FITTING	GRAISSEUR	DRUCKSCHMIERKOPF	ENGRASADOR
24	390912X1	M12 X 40	8	HEX. SOCK. SCREW	VIS TETE HEX	ZYLINDERSCHRAUBE	TORN.CAB.HUECA
25	D20400426		16	WASHER	RONDELLE	SCHEIBE	ARANDELA
26	1442190X1	M12	8	LOCKNUT	ECROU FREIN	SICHERUNGSMUTTER	CONTRATUERCA
27	3009695X1	M12	1	NUT	ECROU	MUTTER	TUERCA
28	D28780611		1	RETAINER	RETENEUR	HALTERING	RETENEDOR
29	D28780516		1	INDUCTIVE SENSOR	CAPTEUR INDUCTIF	INDUKT EMPFANGER	CAPTADOR INDUCTI
30	1440487X1		1	BEAR. 6203 2RS	RLT 6203 2RS	LAGER 6203 2RS	RODA. 6203 2RS
31	D20400419		1	WASHER	RONDELLE	SCHEIBE	ARANDELA
32	D28780514		1	SENSOR	DETECTEUR	SENSOR	DETECTOR
33	D28380234		1	BRACKET	SUPPORT FIXATION	HALTEAM	SOPORTE
34	390799X1	M10 X 40	3	HEX. SOCK. SCREW	VIS TETE HEX	ZYLINDERSCHRAUBE	TORN.CAB.HUECA
35	D20400415		3	WASHER	RONDELLE	SCHEIBE	ARANDELA
36	D28211025		1	BOLT	BOULON	BOLZEN	BULON
37	339402X1	M10	2	NUT SPECIAL	ECROU SPECIAL	SPEZIALMUTTER	TUERCA ESPECIAL
38	1442739X1	M16	1	LOCKNUT	ECROU FREIN	SICHERUNGSMUTTER	CONTRATUERCA
39	D28380242		1	PULLEY	POULIE	RIEMENSCHLEIBE	POLEA
40	D28480090		1	BOLT	BOULON	BOLZEN	BULON
41	339199X1		2	CIRCLIP	CIRCLIP	SEEGERING	GRAPA CIRCULAR
42	SKF62042RS		2	BEAR. 6204 2RS	RLT 6204 2RS	LAGER 6204 2RS	RODA. 6204 2RS
43	D28780007		1	RING	ANNEAU	RING.	ANILLO
44	D28380235		1	WASHER	RONDELLE	SCHEIBE	ARANDELA
45	D28380244		1	PULLEY	POULIE	RIEMENSCHLEIBE	POLEA
46	3009493X1	M10 X 30	2	HEX. SOCK. SCREW	VIS TETE HEX	ZYLINDERSCHRAUBE	TORN.CAB.HUECA
47	D41990007	👁 11-2 No 98	2	BELT	COURROIE	RIEMEN	CORREA
48	D28380291		1	SHIM	CALE REGLAGE	AUSGLEICHSCHEIBE	CALCE
49	D28380261		1	EXTENSION	RALLONGE	VERLAENGERUNG	ENSANCHE
50	3009493X1	M10 X 30	8	HEX. SOCK. SCREW	VIS TETE HEX	ZYLINDERSCHRAUBE	TORN.CAB.HUECA
51	D20400415		8	WASHER	RONDELLE	SCHEIBE	ARANDELA
52	D28380583	◀	1	PLATE	PLAQUE	PLATTE	PLATO
53	D28380584	▶	1	PLATE	PLAQUE	PLATTE	PLATO
54	D28380440		2	ECCENTRIC	EXCENTRIQUE	EXZENTER	ECCENTRICA
55	D28385035		1	CONCAVE	CONTRE BATTEUR	DRESCHKORB	CONCAVO
55	D28380632		78	WIRE	FIL	DRAHT	HILO
56	391198X1	M12 X 50	1	HEX. SOCK. SCREW	VIS TETE HEX	ZYLINDERSCHRAUBE	TORN.CAB.HUECA
58	D20400471		41	WASHER	RONDELLE	SCHEIBE	ARANDELA
62	3009507X1	M12 X 35	2	HEX. SOCK. SCREW	VIS TETE HEX	ZYLINDERSCHRAUBE	TORN.CAB.HUECA
63	D28380356		2	BUSH	BAGUE	RING	CASQUILLO
64	D20400426		2	WASHER	RONDELLE	SCHEIBE	ARANDELA
65	3009695X1	M12	2	NUT	ECROU	MUTTER	TUERCA
66	D28380359		1	LOCK	SERRURE	SCHLOSS	CERRADURA
67	D28380360		1	LOCK	SERRURE	SCHLOSS	CERRADURA
68	3009493X1	M10 X 30	2	HEX. SOCK. SCREW	VIS TETE HEX	ZYLINDERSCHRAUBE	TORN.CAB.HUECA
69	D20400473		2	WASHER	RONDELLE	SCHEIBE	ARANDELA
70	D41012100		2	LOCKNUT	ECROU FREIN	SICHERUNGSMUTTER	CONTRATUERCA
71	D20400537		2	SPACER	ENTRETOISE	ABSTANDSTUECK	DISCO ESPACIADOR
72	D28380586		2	WASHER	RONDELLE	SCHEIBE	ARANDELA
73	D40606100		8	SCREW	VIS	SCHRAUBE	TORNILLO
74	1440329X1	M10	8	LOCKNUT	ECROU FREIN	SICHERUNGSMUTTER	CONTRATUERCA
76	D28382147		1	COVER	COUVERCLE	ABDECKUNG.	CUBIERTA
77	D43107500		1	KEY	CLAVETTE	STELLKEIL	CHAVETA



D-ZEZA-005-E

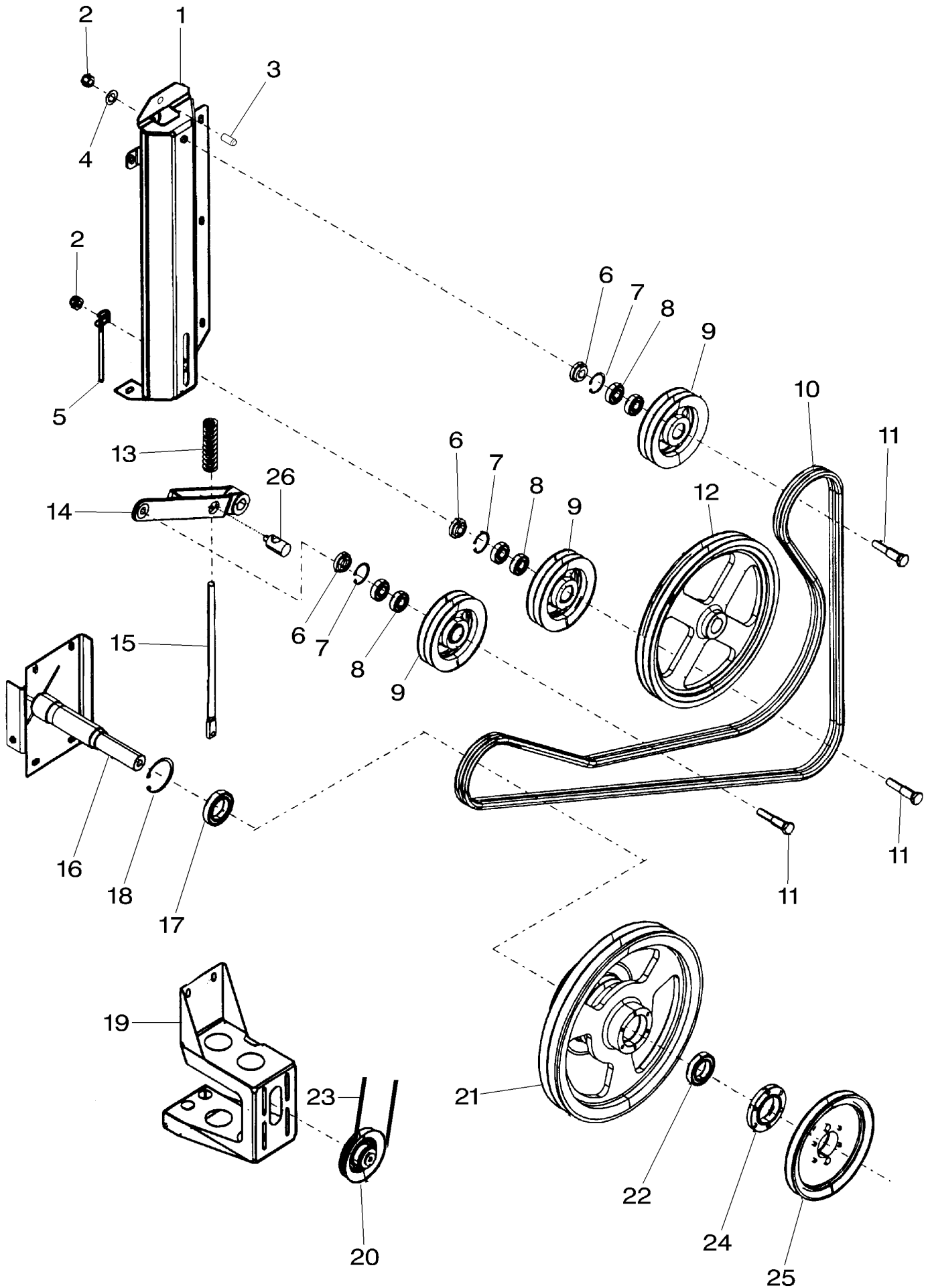
1	D28485200		8	WALKER	SECOUEUR	STROHSCHUETTNER	SACAPAJAS
2	D28485363	[A]	6	BOTTOM	FOND	BODEN	FONDO
3	D28485353	BACK, CPL.	1	SHAFT	ARBRE	WELLE	ARBOL
4	D28485114	3 BACK	1	SHAFT	ARBRE	WELLE	ARBOL
5	1440516X1	3	2	CIRCLIP	CIRCLIP	SEEGERING	GRAPA CIRCULAR
6	D41641800	3	8	RING	ANNEAU	RING.	ANILLO
7	D41622200	3	8	BEARING	COUSSINET	LAGER	COJINETE
8	D28485139	3	8	HOUSING	CARTER	GEHAEUSE	ALOJAMIENTO
9	1440487X1		X	BEAR. 6203 2RS	RLT 6203 2RS	LAGER 6203 2RS	RODA. 6203 2RS
10	D20400419		X	WASHER	RONDELLE	SCHEIBE	ARANDELA
11	D28780516		X	INDUCTIVE SENSOR	CAPTEUR INDUCTIF	INDUKT EMPFANGER	CAPTADOR INDUCTI
12	D28780514		1	SENSOR	DETECTEUR	SENSOR	DETECTOR
13	D41010800		X	NUT	ECROU	MUTTER	TUERCA
14	D28780522		1	SUPPORT	SUPPORT	TRAGER	SOPORTE
15	D44900774		1	SENSOR	DETECTEUR	SENSOR	DETECTOR
16	D41707800		X	BEARING	COUSSINET	LAGER	COJINETE
17	D28485195		8	FACING	GARNITURE	VERBLENDUNG	PARAMENTO
18	D28485280		8	FACING	GARNITURE	VERBLENDUNG	PARAMENTO
19	D28485269		1	PLATE	PLAQUE	PLATTE	PLATO
20	D41397300		X	RIVET	RIVET	NIET	REMACHE
21	D43427400		48	FASTENER	AGRAFE	KLAMMER	GRAPA
22	D28450637		2	BUSH	BAGUE	RING	CASQUILLO
23	D28450536		2	PLATE	PLAQUE	PLATTE	PLATO
24	D28480301		2	PLATE	PLAQUE	PLATTE	PLATO
25	D28485582	[A]	2	BOTTOM	FOND	BODEN	FONDO
26	D28485188		8	CLAMP	COLLIER	HALTESCHELLE	ABRAZADERA
27	D28480300		2	SEAL	JOINT ETANCHEITE	DICHTRING	JUNTA REDONDA
28	D28480825		X	SIDE	COTE	SEITEN	LATERAL
29	D28485466		1	CRANK	MANIVELLE	KURBEL	MANIVELA
30	D28485458	29	1	CRANK	MANIVELLE	KURBEL	MANIVELA
31	1440516X1	29	2	CIRCLIP	CIRCLIP	SEEGERING	GRAPA CIRCULAR
32	D41641800	29	8	RING	ANNEAU	RING.	ANILLO
33	D41622200	29	8	BEARING	COUSSINET	LAGER	COJINETE
34	D28485139	29	8	HOUSING	CARTER	GEHAEUSE	ALOJAMIENTO
35	D28485205	FRONT	1	FACING	GARNITURE	VERBLENDUNG	PARAMENTO
36	D28485206	MIDDLE	2	FACING	GARNITURE	VERBLENDUNG	PARAMENTO
37	D28485207	BACK	1	FACING	GARNITURE	VERBLENDUNG	PARAMENTO
38	D28485208		3	RAISER	RELEVEUR	HEBER,	CULTIVADOR
39	D44900775		1	HARNESS	FAISCEAU	KABELBAUM	MAZO CABLES
40	D45750500		1	PLUG	BOUCHON	STOPFEN	TAPON

[A] THE STRAW WALKER BOTTOMS MUST BE REPLACED SET BY S ET
LE SECOUEUR DOIT ETRE REMPLACE ENSEMBLE PAR ENSEMBLE
DIE SCHUETTNERBODEN MUESSEN SATZWEISE AUSGEWECHSELT WERDEN
SACUDIDOR DE PARA DEBEN SER SISTEMA SUBSTITUIDO POR EL SISTEMA



D-ZEZB-003-B

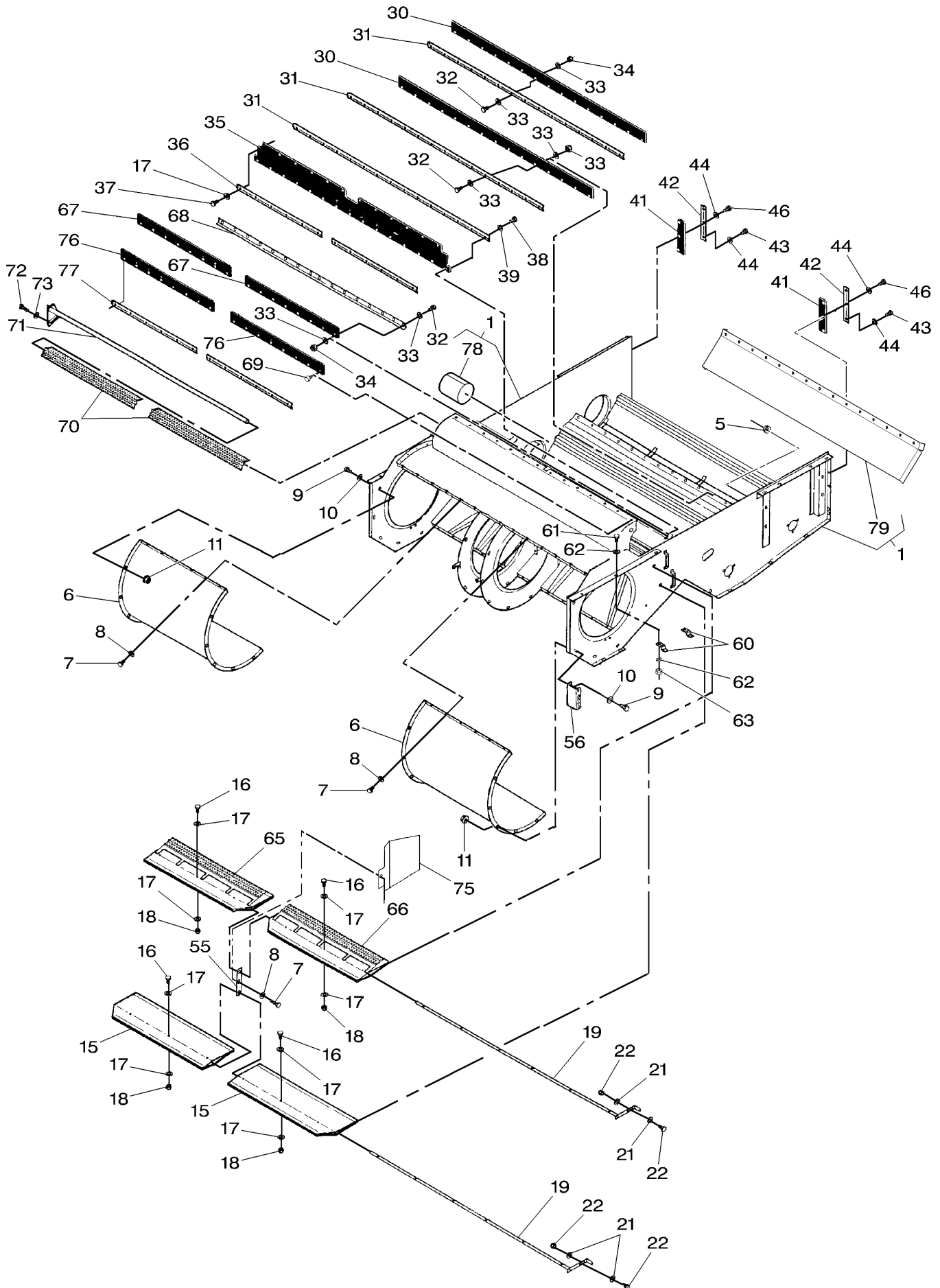
1	D28186058		1	BRACKET	SUPPORT FIXATION	HALTEARM	SOPORTE
2	D28186038		1	BRACKET	SUPPORT FIXATION	HALTEARM	SOPORTE
3	D28485465		1	EDGE	BORD	KANTE	REBORDE
4	D28480835		1	CLEVIS PIN	AXE	SPLINTBOLZEN	BULON CILINDRICO
5	D28480682		2	BRACKET	SUPPORT FIXATION	HALTEARM	SOPORTE
6	339337X1	M8 X 30	X	HEX. SOCK. SCREW	VIS TETE HEX	ZYLINDERSCHRAUBE	TORN.CAB.HUECA
7	D20400506		X	WASHER	RONDELLE	SCHEIBE	ARANDELA
8	394367X1	M8	X	NUT	ECROU	MUTTER	TUERCA
9	D28480897		2	ARM	BRAS	SCHARHEBEL	BRAZO
10	D28450420		2	BUSH	BAGUE	RING	CASQUILLO
11	D28430010		4	HALF FLANGE	DEMI FLASQUE	HALBFLANSCH	MEDIA PLETINA
12	D20400419		X	WASHER	RONDELLE	SCHEIBE	ARANDELA
13	D40426500		X	SCREW	VIS	SCHRAUBE	TORNILLO
14	1440329X1	M10	X	LOCKNUT	ECROU FREIN	SICHERUNGSMUTTER	CONTRATUERCA
15	D28485460		1	ARM	BRAS	SCHARHEBEL	BRAZO
16	D28485462		1	ARM	BRAS	SCHARHEBEL	BRAZO
17	D28485130		1	PAN	RECEPTEUR	AUFFANGWANNE	CUBA
18	339475X1	M10 X 70	X	HEX. SOCK. SCREW	VIS TETE HEX	ZYLINDERSCHRAUBE	TORN.CAB.HUECA
19	D20400415		X	WASHER	RONDELLE	SCHEIBE	ARANDELA
20	D45698800		2	TOGGLE	ROTULE	GELENKZAPFEN	ROTULA
21	3009695X1	M12	X	NUT	ECROU	MUTTER	TUERCA
22	D28480838		2	BOLT	BOULON	BOLZEN	BULON
23	3009507X1	M12 X 35	X	HEX. SOCK. SCREW	VIS TETE HEX	ZYLINDERSCHRAUBE	TORN.CAB.HUECA
24	D20400424		X	WASHER	RONDELLE	SCHEIBE	ARANDELA
25	D45699000		2	TOGGLE	ROTULE	GELENKZAPFEN	ROTULA
26	D41014400		X	NUT	ECROU	MUTTER	TUERCA
27	354050X1	3/32" X 1	X	SPLIT PIN	GOUPILLE FENDUE	SPALTBOLZEN	PASADOR HENDIDO
28	D44718300		2	PLUG	BOUCHON	STOPFEN	TAPON
29	D28480832		1	CONSOLE	CONSOLE	KONSOLE	CONSOLA
30	D28485259		1	BAND	BANDE	BAND	BANDA
31	D28480828		6	RUBBER STRAP	BANDE CAOUTCHOUC	GUMMIBAND	BANDA DE GOMA
32	D28480833		1	CONSOLE	CONSOLE	KONSOLE	CONSOLA
33	D28585114		2	SHIM	CALE REGLAGE	AUSGLEICHSCHIEBE	CALCE
34	D40426500		2	SCREW	VIS	SCHRAUBE	TORNILLO
35	D46481700		2	BUSH	BAGUE	RING	CASQUILLO
36	D28485224		4	BRACKET	SUPPORT FIXATION	HALTEARM	SOPORTE
37	3009503X1	M10 X 90	X	HEX. SOCK. SCREW	VIS TETE HEX	ZYLINDERSCHRAUBE	TORN.CAB.HUECA
38	D28480862		2	SHIM	CALE REGLAGE	AUSGLEICHSCHIEBE	CALCE



D-ZFK-002-B

1	D28285609		1	BRACKET	SUPPORT FIXATION	HALTEARM	SOPORTE
2	1442739X1	M16	2	LOCKNUT	ECROU FREIN	SICHERUNGSMUTTER	CONTRATUERCA
3	D28285616	1	1	PIN	GOUPILLE	STIFT	PASADOR
4	D20400463		1	WASHER	RONDELLE	SCHEIBE	ARANDELA
5	D28211025		1	BOLT	BOULON	BOLZEN	BULON
6	D28880354		3	SPACER	ENTRETOISE	ABSTANDSTUECK	DISCO ESPACIADOR
7	339199X1		3	CIRCLIP	CIRCLIP	SEEGERING	GRAPA CIRCULAR
8	SKF62042RS		6	BEAR. 6204 2RS	RLT 6204 2RS	LAGER 6204 2RS	RODA. 6204 2RS
9	D28480822		3	PULLEY	POULIE	RIEMENSCHLEIBE	POLEA
10	D41975300		1	BELT	COURROIE	RIEMEN	CORREA
11	D28250444		3	BOLT	BOULON	BOLZEN	BULON
12	D28885042		1	PULLEY	POULIE	RIEMENSCHLEIBE	POLEA
12	D28285527	[A]	1	PULLEY	POULIE	RIEMENSCHLEIBE	POLEA
13	D28485365		1	SPRING	RESSORT	FEDER	MUELLE
14	D28880495		1	LEVER	LEVIER	HEBEL	PALANCA
15	D28380011		1	TIE ROD	TRINGLERIE	ZUGSTANGE	BRAZO DE ENLACE
16	D28480588		1	BRACKET	SUPPORT FIXATION	HALTEARM	SOPORTE
17	391347X1		1	BEAR. 6010 2RS	RLT 6010 2RS	LAGER 6010 2RS	RODA. 6010 2RS
18	339437X1		1	CIRCLIP	CIRCLIP	SEEGERING	GRAPA CIRCULAR
19	D28485399		1	SUPPORT	SUPPORT	TRAGER	SOPORTE
20	D28782735		1	PULLEY	POULIE	RIEMENSCHLEIBE	POLEA
21	D28285941		1	PULLEY	POULIE	RIEMENSCHLEIBE	POLEA
22	SKF60092RS		1	BEAR. 6009 2RS	RLT 6009 2RS	LAGER 6009 2RS	RODA. 6009 2RS
23*	D41921801	●○ D41921800	1	BELT	COURROIE	RIEMEN	CORREA
24	D28485348		1	COVER	COUVERCLE	ABDECKUNG.	CUBIERTA
25	D28485388		1	PULLEY	POULIE	RIEMENSCHLEIBE	POLEA
26	D28780030		1	PIVOT	PIVOT	DREHZAPFEN.	PIVOTE

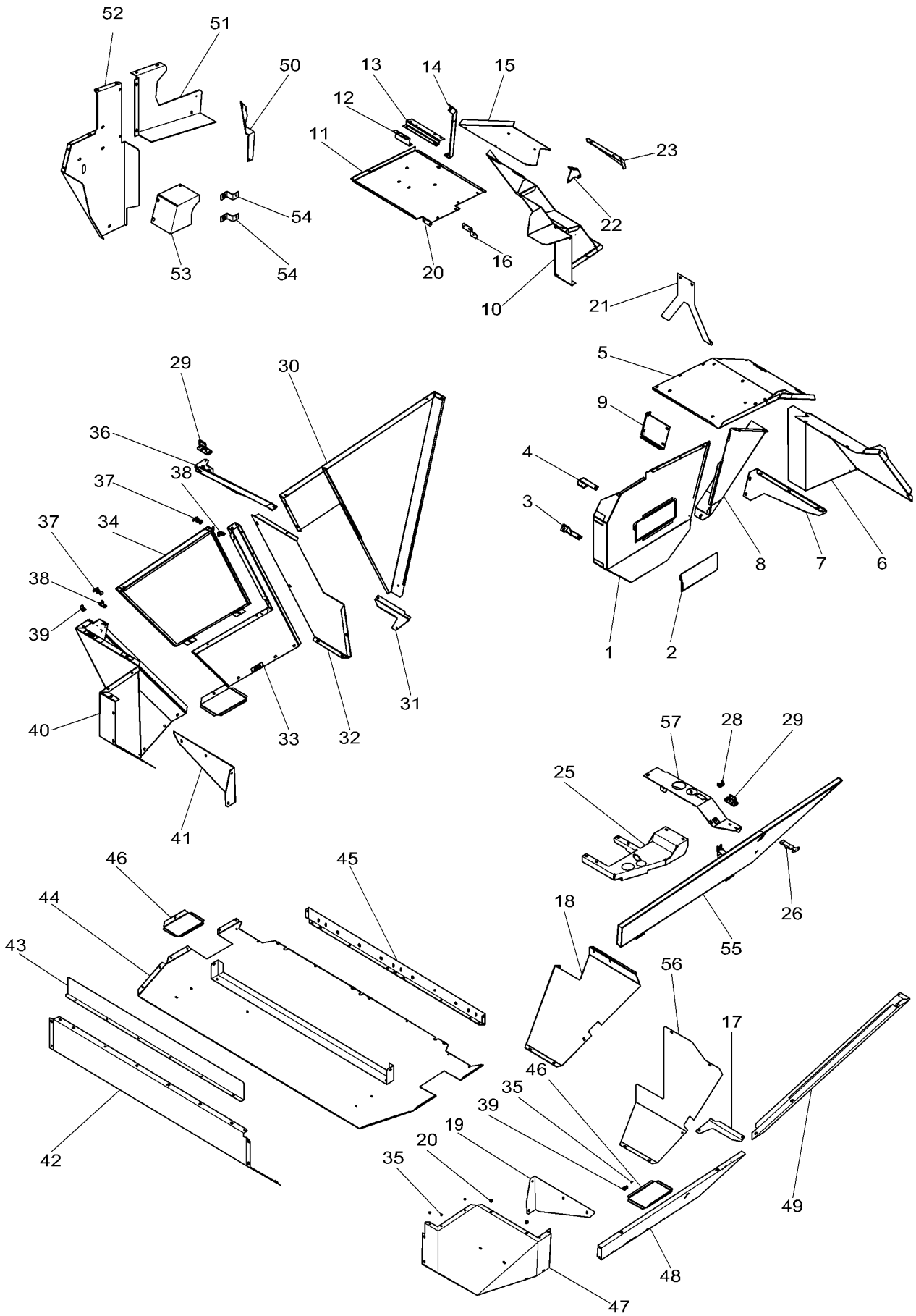
[A] MAIZE EQUIPMENT
 EQUIPEMENT MAIS
 MAISAUSRUESTUNG
 EQUIPO PARA MAIZ



D-ZFZA-004-A

1	D28480704		1	WASHER	RONDELLE	SCHEIBE	ARANDELA
5	394367X1	M8	4	NUT	ECROU	MUTTER	TUERCA
6	D28480171		2	COVER	COUVERCLE	ABDECKUNG.	CUBIERTA
7	339123X1	M8 X 20	X	HEX. SOCK. SCREW	VIS TETE HEX	ZYLINDERSCHRAUBE	TORN.CAB.HUECA
8	D20400506		X	WASHER	RONDELLE	SCHEIBE	ARANDELA
9	339123X1	M8 X 20	20	HEX. SOCK. SCREW	VIS TETE HEX	ZYLINDERSCHRAUBE	TORN.CAB.HUECA
10	D20400506		20	WASHER	RONDELLE	SCHEIBE	ARANDELA
11	394367X1	M8	20	NUT	ECROU	MUTTER	TUERCA
15	D28480566		2	PLATE	PLAQUE	PLATTE	PLATO
16	339262X1	M6 X 30	12	HEX. SOCK. SCREW	VIS TETE HEX	ZYLINDERSCHRAUBE	TORN.CAB.HUECA
17	D20400470		36	WASHER	RONDELLE	SCHEIBE	ARANDELA
18	1441462X1	M6	12	LOCKNUT	ECROU FREIN	SICHERUNGSMUTTER	CONTRATUERCA
19	D28480211		2	SHAFT	ARBRE	WELLE	ARBOL
20	339123X1	[B] M8 X 20	2	HEX. SOCK. SCREW	VIS TETE HEX	ZYLINDERSCHRAUBE	TORN.CAB.HUECA
21	D20400506		4	WASHER	RONDELLE	SCHEIBE	ARANDELA
22	394367X1	M8	2	NUT	ECROU	MUTTER	TUERCA
30	D28480158		2	SEAL	JOINT ETANCHEITE	DICHTRING	JUNTA REDONDA
31	D28480157		3	RAIL	RAIL	SCHIENE	RIEL
32	339666X1	M6 X 20	X	HEX. SOCK. SCREW	VIS TETE HEX	ZYLINDERSCHRAUBE	TORN.CAB.HUECA
33	391038X1		X	FLAT WASHER	RONDELLE PLATE	UNTERLEGSCHIEBEN	ARANDELA PLANA
34	1441462X1	M6	X	LOCKNUT	ECROU FREIN	SICHERUNGSMUTTER	CONTRATUERCA
35	D28480744		1	GASKET	JOINT	FLACHDICHTUNG	JUNTA PLANA
36	D28480173		2	RAIL	RAIL	SCHIENE	RIEL
37	339804X1	M6 X 25	12	HEX. SOCK. SCREW	VIS TETE HEX	ZYLINDERSCHRAUBE	TORN.CAB.HUECA
38	339666X1	M6 X 20	15	HEX. SOCK. SCREW	VIS TETE HEX	ZYLINDERSCHRAUBE	TORN.CAB.HUECA
39	391038X1		X	FLAT WASHER	RONDELLE PLATE	UNTERLEGSCHIEBEN	ARANDELA PLANA
41	D28480363		2	SEAL	JOINT ETANCHEITE	DICHTRING	JUNTA REDONDA
42	D28480362		2	RAIL	RAIL	SCHIENE	RIEL
43	339123X1	M8 X 20	2	HEX. SOCK. SCREW	VIS TETE HEX	ZYLINDERSCHRAUBE	TORN.CAB.HUECA
44	D20400506		7	WASHER	RONDELLE	SCHEIBE	ARANDELA
46	339337X1	M8 X 30	3	HEX. SOCK. SCREW	VIS TETE HEX	ZYLINDERSCHRAUBE	TORN.CAB.HUECA
55	D28480740		1	SUPPORT	SUPPORT	TRAGER	SOPORTE
56	D28784378		1	PIPE	TUYAU	TUBE	TUBO
60	D28780694		2	SUPPORT	SUPPORT	TRAGER	SOPORTE
61	390799X1	M10 X 40	2	HEX. SOCK. SCREW	VIS TETE HEX	ZYLINDERSCHRAUBE	TORN.CAB.HUECA
62	D20400473		4	WASHER	RONDELLE	SCHEIBE	ARANDELA
63	1440329X1	M10	2	LOCKNUT	ECROU FREIN	SICHERUNGSMUTTER	CONTRATUERCA
65	D28480749	▶	1	PLATE	PLAQUE	PLATTE	PLATO
66	D28480750	◀	1	PLATE	PLAQUE	PLATTE	PLATO
67	D28480706		4	GASKET	JOINT	FLACHDICHTUNG	JUNTA PLANA
68	D28480741		1	GASKET	JOINT	FLACHDICHTUNG	JUNTA PLANA
69	D43427400		16	FASTENER	AGRAFE	KLAMMER	GRAPA
70	D28480745		2	GATE	PORTE	TOR	PORTILLO
71	D28480751		1	SHAFT	ARBRE	WELLE	ARBOL
72	339761X1	M8 X 25	1	HEX. SOCK. SCREW	VIS TETE HEX	ZYLINDERSCHRAUBE	TORN.CAB.HUECA
73	D20400411		1	WASHER	RONDELLE	SCHEIBE	ARANDELA
75	D28480770		1	PLATE	PLAQUE	PLATTE	PLATO
76	D28480834		2	SEAL	JOINT ETANCHEITE	DICHTRING	JUNTA REDONDA
77	D28480831		2	SUPPORT	SUPPORT	TRAGER	SOPORTE
78	D28480206	1	1	TUBE	TUBE	ROHR	TUBO.
79	D28480153	1	1	BOTTOM	FOND	BODEN	FONDO

[B] NOT ILLUSTRATED
 NON ILLUSTRE
 NICHT ILLUSTRIRT
 NO ILUSTRADO



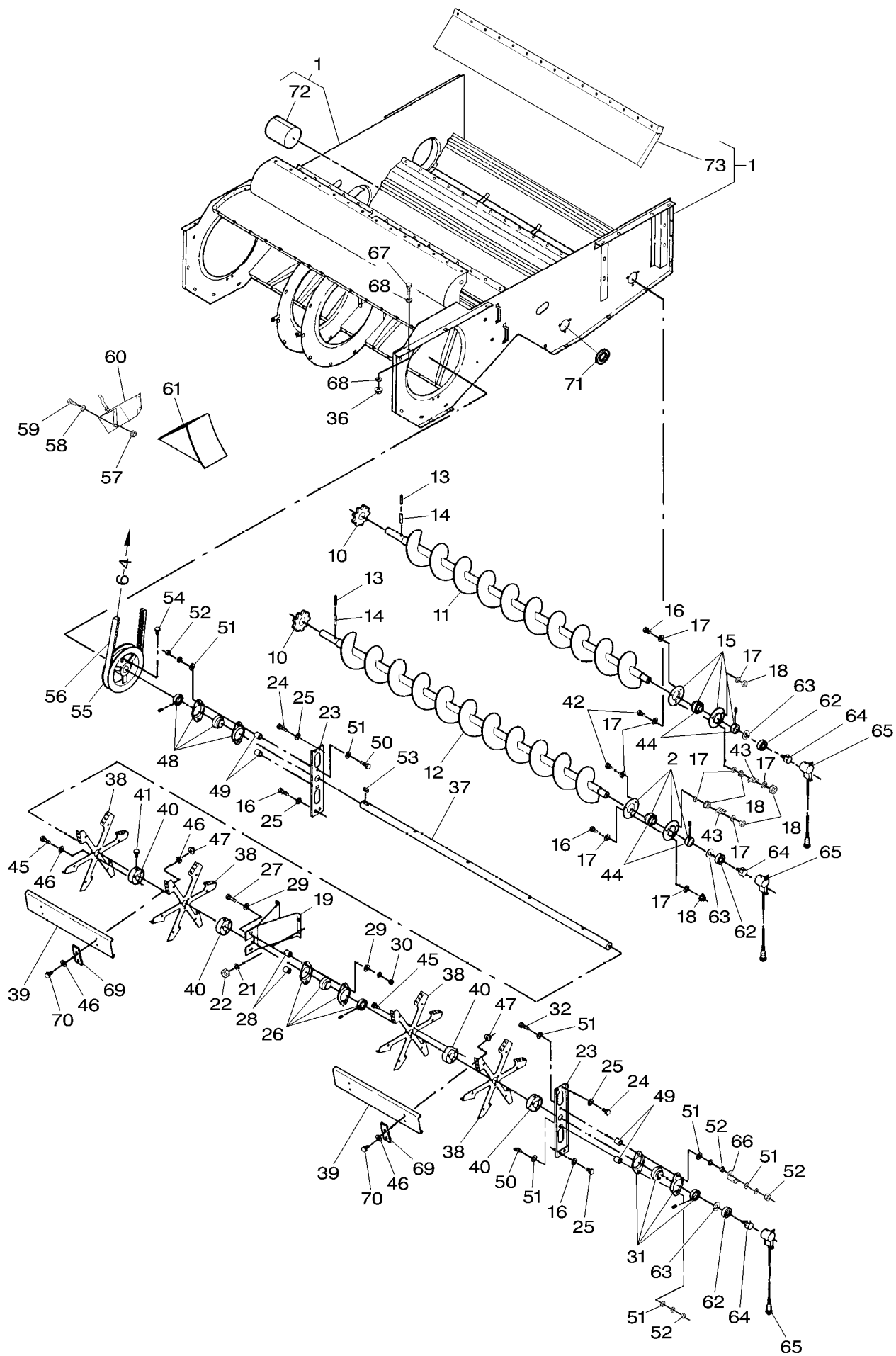
D-ZFZB-007-D

1	D28186327	1	SHIELD	TOLE	SCHILD	BLINDAJE
2	D28184441	1	COVER	COUVERCLE	ABDECKUNG.	CUBIERTA
3	D28181107	1	BRACKET	SUPPORT FIXATION	HALTEAM	SOPORTE
4	D28181106	1	BRACKET	SUPPORT FIXATION	HALTEAM	SOPORTE
5	D28186692	1	GUARD	GARDE	SCHUTZVORR	DEFENSA
6	D28186694	1	GUARD	GARDE	SCHUTZVORR	DEFENSA
7	D28185321	1	BRACKET	SUPPORT FIXATION	HALTEAM	SOPORTE
8	D28186691	1	SHIELD	TOLE	SCHILD	BLINDAJE
9	D28181126	1	BRACKET	SUPPORT FIXATION	HALTEAM	SOPORTE
10	D28186669	1	GUARD	GARDE	SCHUTZVORR	DEFENSA
11	D28485419	1	GUARD	GARDE	SCHUTZVORR	DEFENSA
12	D28185631	1	BRACKET	SUPPORT FIXATION	HALTEAM	SOPORTE
13	D28185630	1	BRACKET	SUPPORT FIXATION	HALTEAM	SOPORTE
14	D28185356	1	BRACE	BRETELLE	HALTEBAND	RIOSTRA
15	D28186670	1	GUARD	GARDE	SCHUTZVORR	DEFENSA
16	D28185999	1	BRACKET	SUPPORT FIXATION	HALTEAM	SOPORTE
17	D28186728	1	STRUT	JAMBE DE FORCE	VERSTREBUNG	CODAL
18			NOT USED	NON UTILISE	NICHT VERWENDET	NO SE USA
19	D28186774	1	GUARD	GARDE	SCHUTZVORR	DEFENSA
20	D44731100	2	GROMMET	PASSE FIL	GUMMITUELLE	PASACABLE
21	D28186689	1	GUARD	GARDE	SCHUTZVORR	DEFENSA
22	D28186732	1	BRACKET	SUPPORT FIXATION	HALTEAM	SOPORTE
23	D28186731	1	BRACKET	SUPPORT FIXATION	HALTEAM	SOPORTE
25	D28782712	1	RETAINER	RETENEUR	HALTERING	RETENEDOR
26	D44737100	1	RUBBER STRAP	BANDE CAOUTCHOU	GUMMIBAND	BANDA DE GOMA
28	D28120289	1	RETAINER	RETENEUR	HALTERING	RETENEDOR
29	D28181157	2	CLAMP	COLLIER	HALTESCHELLE	ABRAZADERA
30	D28186734	1	PLATE	PLAQUE	PLATTE	PLATO
31	D28186727	1	STRUT	JAMBE DE FORCE	VERSTREBUNG	CODAL
32	D28186785	1	PLATE	PLAQUE	PLATTE	PLATO
33	D28186675	1	GUARD	GARDE	SCHUTZVORR	DEFENSA
34	D28186674	1	SIDE	COTE	SEITEN	LATERAL
35	D45742200	9	PLUG	BOUCHON	STOPFEN	TAPON
36	D28186786	1	LOCKING PLATE	PLAQUE BLOCAGE	SICH.BLECH	PLACA DE BLOCAJE
37	D44737200	2	RUBBER STRAP	BANDE CAOUTCHOU	GUMMIBAND	BANDA DE GOMA
38	D28186787	2	RETAINER	RETENEUR	HALTERING	RETENEDOR
39	D28186790	2	STOP	BUTEE	ANSCHLAG	PARO
40	D28186726	1	GUARD	GARDE	SCHUTZVORR	DEFENSA
41	D28186788	1	BRACKET	SUPPORT FIXATION	HALTEAM	SOPORTE
42	D28485412	1	GUARD	GARDE	SCHUTZVORR	DEFENSA
43	D28480605	1	PLATE	PLAQUE	PLATTE	PLATO
44	D28485414	1	BASE PLATE	PLAQUE DE BASE	GRUNDPLATTE	PLATO BASE
45	D28480423	1	PROFILE	PROFIL	PROFIL	PERFIL
46	D28186722	2	HATCH	DEMI PORTE	SCHAULOCH	COMPUERTA
47	D28186717	1	GUARD	GARDE	SCHUTZVORR	DEFENSA
48	D28186723	1	GUARD	GARDE	SCHUTZVORR	DEFENSA
49	D28186718	1	CORNER	COIN	ECKE	ESCUADRA.
50	D28186737	1	STRUT	JAMBE DE FORCE	VERSTREBUNG	CODAL
51	D28186738	1	SHIELD	TOLE	SCHILD	BLINDAJE
52	D28186495	1	GUARD	GARDE	SCHUTZVORR	DEFENSA
53	D28186493	1	GUARD	GARDE	SCHUTZVORR	DEFENSA
54	D28186496	1	GUARD	GARDE	SCHUTZVORR	DEFENSA
55	D28186853	1	HATCH	DEMI PORTE	SCHAULOCH	COMPUERTA
56	D28186854	1	PLATE	PLAQUE	PLATTE	PLATO
57	D28782738	1	LOCKING PLATE	PLAQUE BLOCAGE	SICH.BLECH	PLACA DE BLOCAJE
58*	D44735900	1	SEAL SECTION	PROFIL ETANCH	DICHTPROFIL	PARTE DE RETEN

✕ 0,7M

[A]

[A] NOT ILLUSTRATED
 NON ILLUSTRE
 NICHT ILLUSTRIRT
 NO ILUSTRADO

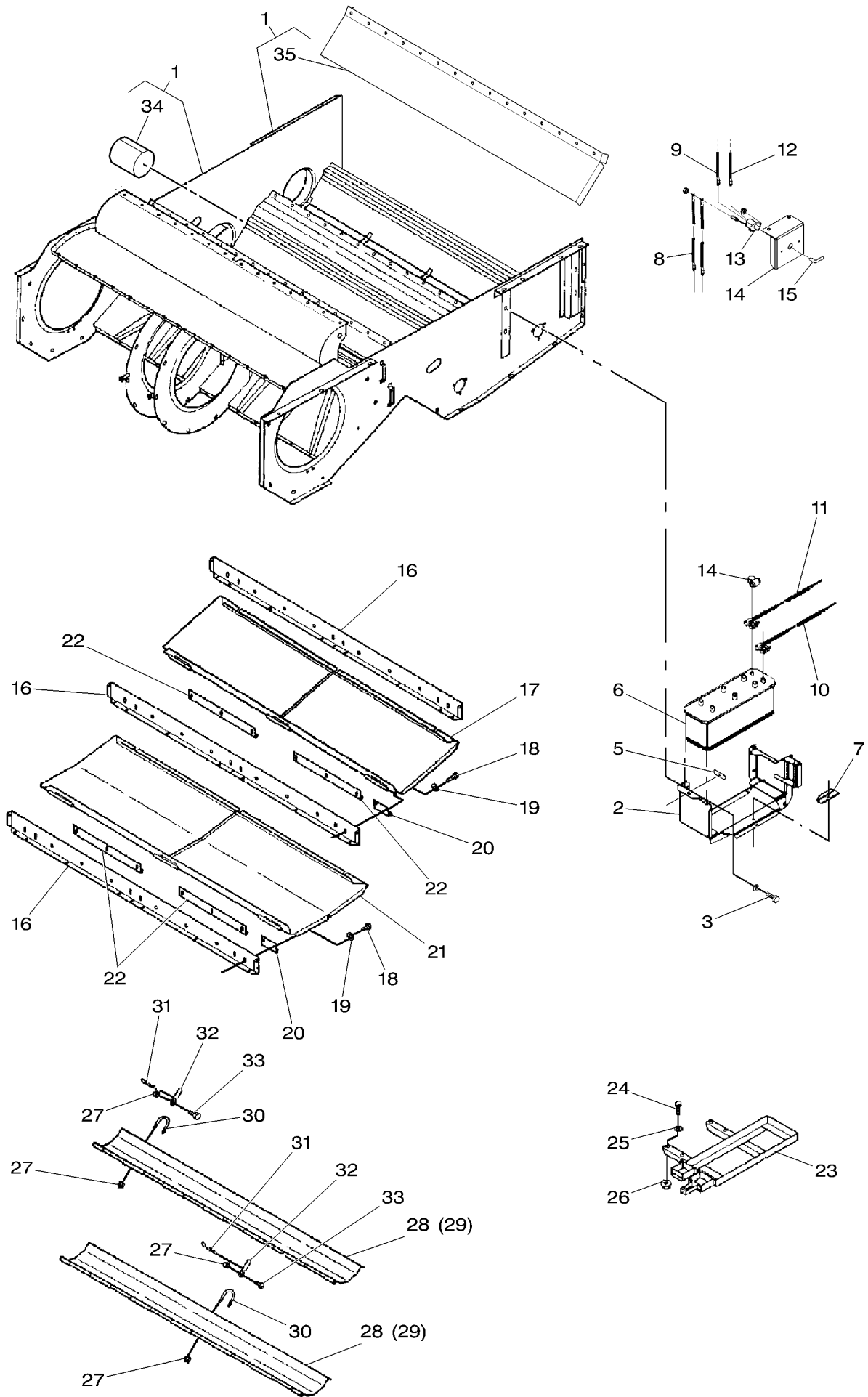


D-ZFZC-004-B

1	D28480704		1	WASHER	RONDELLE	SCHEIBE	ARANDELA
2	D41706200		1	BEARING	COUSSINET	LAGER	COJINETE
10	D28580448		2	SPROCKET	BARBOTIN	KETTENRAD	RUEDA DE CADENA
11	D28480361		1	AUGER	VIS SANS FIN	FOERDERSCHNECKE	SINFIN
12	D28485000		1	AUGER	VIS SANS FIN	FOERDERSCHNECKE	SINFIN
13	395557X1	⊘ 5 X 50	2	SPIROL PIN	GOUPILLE SPIRALE	SPIRALSTIFT	PASADOR ESPIRAL
14	339307X1	⊘ 8 X 50	2	PIN	GOUPILLE	STIFT	PASADOR
15	D41709600		1	BEARING	COUSSINET	LAGER	COJINETE
16	3009492X1	M10 X 25	4	HEX. SOCK. SCREW	VIS TETE HEX	ZYLINDERSCHRAUBE	TORN.CAB.HUECA
17	D20400471		14	WASHER	RONDELLE	SCHEIBE	ARANDELA
18	339402X1	M10	8	NUT SPECIAL	ECROU SPECIAL	SPEZIALMUTTER	TUERCA ESPECIAL
19	D28480165		1	BRACKET	SUPPORT FIXATION	HALTEARM	SOPORTE
21	D20400506		4	WASHER	RONDELLE	SCHEIBE	ARANDELA
22	394367X1	M8	4	NUT	ECROU	MUTTER	TUERCA
23	D28480366		2	STAY	HAUBAN	STREBE	TIRANTE
24	3009491X1	M10 X 20	4	HEX. SOCK. SCREW	VIS TETE HEX	ZYLINDERSCHRAUBE	TORN.CAB.HUECA
25	D20400419		X	WASHER	RONDELLE	SCHEIBE	ARANDELA
26	D41710100		1	BEARING	COUSSINET	LAGER	COJINETE
27	D40411400		2	SCREW METRIC	VIS METRIQUE	SCHRAUBE METR	TORNILLO METRICO
28	D28480172		2	SPACER	ENTRETOISE	ABSTANDSTUECK	DISCO ESPACIADOR
29	D20400426		4	WASHER	RONDELLE	SCHEIBE	ARANDELA
30	3009695X1	M12	2	NUT	ECROU	MUTTER	TUERCA
31	D41710100		1	BEARING	COUSSINET	LAGER	COJINETE
32	D40411600		1	SCREW METRIC	VIS METRIQUE	SCHRAUBE METR	TORNILLO METRICO
36	1440329X1	M10	10	LOCKNUT	ECROU FREIN	SICHERUNGSMUTTER	CONTRATUERCA
37	D28480325		1	SHAFT	ARBRE	WELLE	ARBOL
38	D28480185		2	FAN	VENTILATEUR	LÜFTER	VENTILADOR
38	D28440130	38	4	HUB	MOYEU	NABE	CUBO
39	D28480174	38	12	FAN	VENTILATEUR	LÜFTER	VENTILADOR
40	D28480162	38	4	BUSH	BAGUE	RING	CASQUILLO
41	3009493X1	38 M10 X 30	X	HEX. SOCK. SCREW	VIS TETE HEX	ZYLINDERSCHRAUBE	TORN.CAB.HUECA
42	390799X1	38 M10 X 40	2	HEX. SOCK. SCREW	VIS TETE HEX	ZYLINDERSCHRAUBE	TORN.CAB.HUECA
43	D28780522	38	2	SUPPORT	SUPPORT	TRAGER	SOPORTE
44	D41716000	38	2	BALL BEARING	ROULEMENT BILLES	KUGELLAGER	COJINETE DE BOLA
45	339761X1	38 M8 X 25	12	HEX. SOCK. SCREW	VIS TETE HEX	ZYLINDERSCHRAUBE	TORN.CAB.HUECA
46	D20400506	38	X	WASHER	RONDELLE	SCHEIBE	ARANDELA
47	394367X1	38 M8	48	NUT	ECROU	MUTTER	TUERCA
48	D41710100		1	BEARING	COUSSINET	LAGER	COJINETE
49	D28480172		4	SPACER	ENTRETOISE	ABSTANDSTUECK	DISCO ESPACIADOR
50	D40411400		3	SCREW METRIC	VIS METRIQUE	SCHRAUBE METR	TORNILLO METRICO
51	D20400426		9	WASHER	RONDELLE	SCHEIBE	ARANDELA
52	3009695X1	M12	5	NUT	ECROU	MUTTER	TUERCA
53	D43106200		1	KEY	CLAVETTE	STELLKEIL	CHAVETA
54	3009492X1	M10 X 25	2	HEX. SOCK. SCREW	VIS TETE HEX	ZYLINDERSCHRAUBE	TORN.CAB.HUECA
55	D28480763		1	PULLEY	POULIE	RIEMENSCHLEIBE	POLEA
55	D28480807	[A]	1	PULLEY	POULIE	RIEMENSCHLEIBE	POLEA
56	D41981100	⊘ 6-5 No 26	1	BELT	COURROIE	RIEMEN	CORREA
56	D41981400	[A]	1	V BELT	COURROIE TRAPEZ	KEILRIEMEN	CORREA EN V
		⊘ 6-5 No 26					
57	394367X1	M8	3	NUT	ECROU	MUTTER	TUERCA
58	D20400506		3	WASHER	RONDELLE	SCHEIBE	ARANDELA
59	339761X1	M8 X 25	3	HEX. SOCK. SCREW	VIS TETE HEX	ZYLINDERSCHRAUBE	TORN.CAB.HUECA
60	D45907500	[B]	1	RETAINER	RETENEUR	HALTERING	RETENEDOR
61	D45907000	[B]	1	WEDGE	POIDS	KEIL	CUNA
62	1440487X1		3	BEAR. 6203 2RS	RLT 6203 2RS	LAGER 6203 2RS	RODA. 6203 2RS
63	D20400419		3	WASHER	RONDELLE	SCHEIBE	ARANDELA
64	D28780516		3	INDUCTIVE SENSOR	CAPTEUR INDUCTIF	INDUKT EMPFANGER	CAPTADOR INDUCTI
65	D28780514		3	SENSOR	DETECTEUR	SENSOR	DETECTOR
66	D28780611		1	RETAINER	RETENEUR	HALTERING	RETENEDOR
67	390799X1	M10 X 40	10	HEX. SOCK. SCREW	VIS TETE HEX	ZYLINDERSCHRAUBE	TORN.CAB.HUECA
68	D20400473		20	WASHER	RONDELLE	SCHEIBE	ARANDELA
69	D28482107	38	24	SUPPORT	SUPPORT	TRAGER	SOPORTE
70	339337X1	M8 X 30	48	HEX. SOCK. SCREW	VIS TETE HEX	ZYLINDERSCHRAUBE	TORN.CAB.HUECA
71	D28485349		1	REINFORCEMENT	RENFORT	VERSTAERKUNG	REFUERZO
72	D28480206	1	1	TUBE	TUBE	ROHR	TUBO.
73	D28480153	1	1	BOTTOM	FOND	BODEN	FONDO

[A] REDUCED MAIN FAN SPEED
KIT VITESSE LENTE BROYEUR
REDUZ. GEBLAESEUMDR
JUEGO REDUCTOR VELOCI. PICIPAJA

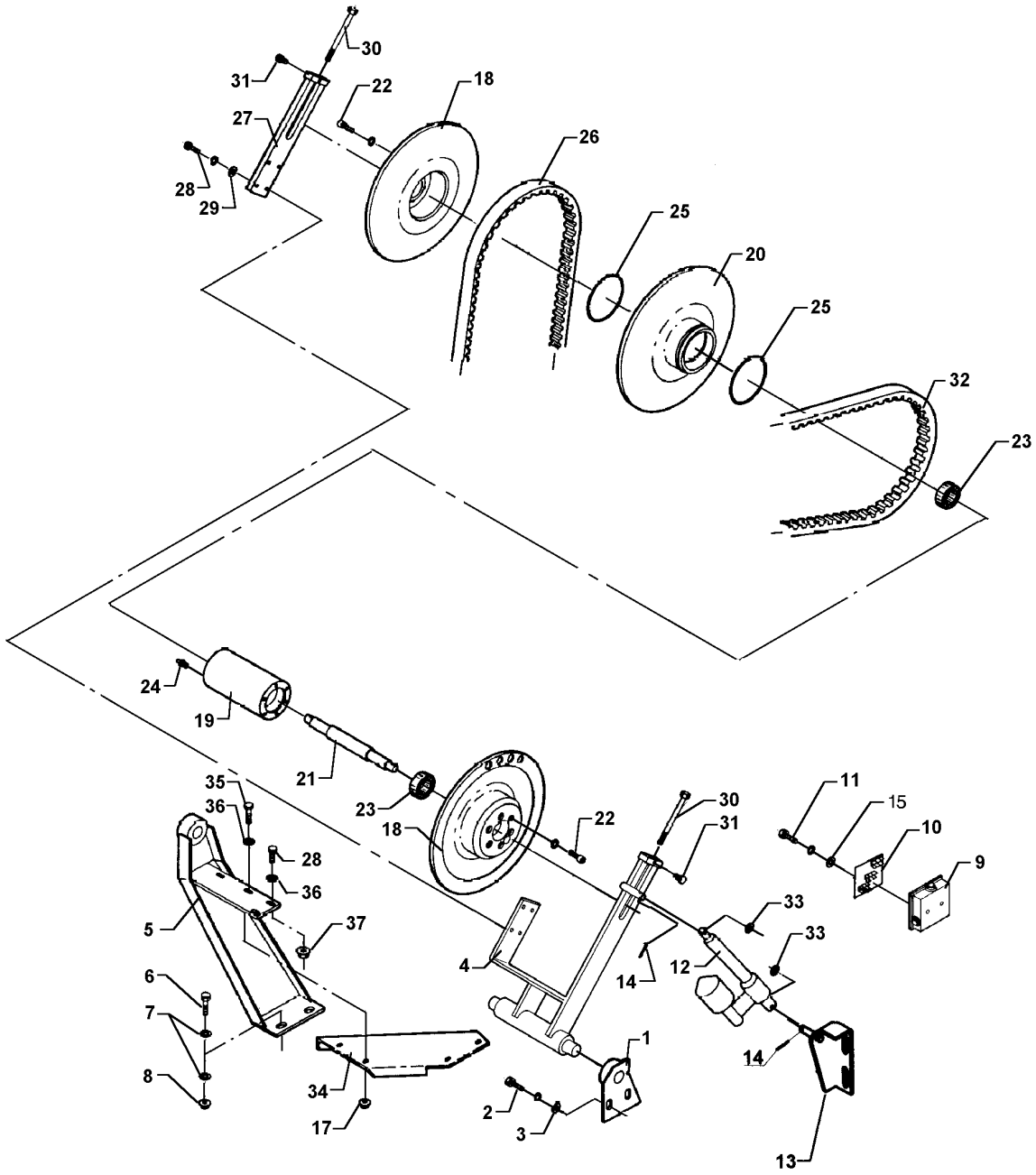
[B] OPTIONAL EQUIPMENT
EQUIPEMENTS ACCESSOIRES
SONDERZUBEHOR
EQUIP. ADITAMENTO



D-ZFZD-006-A

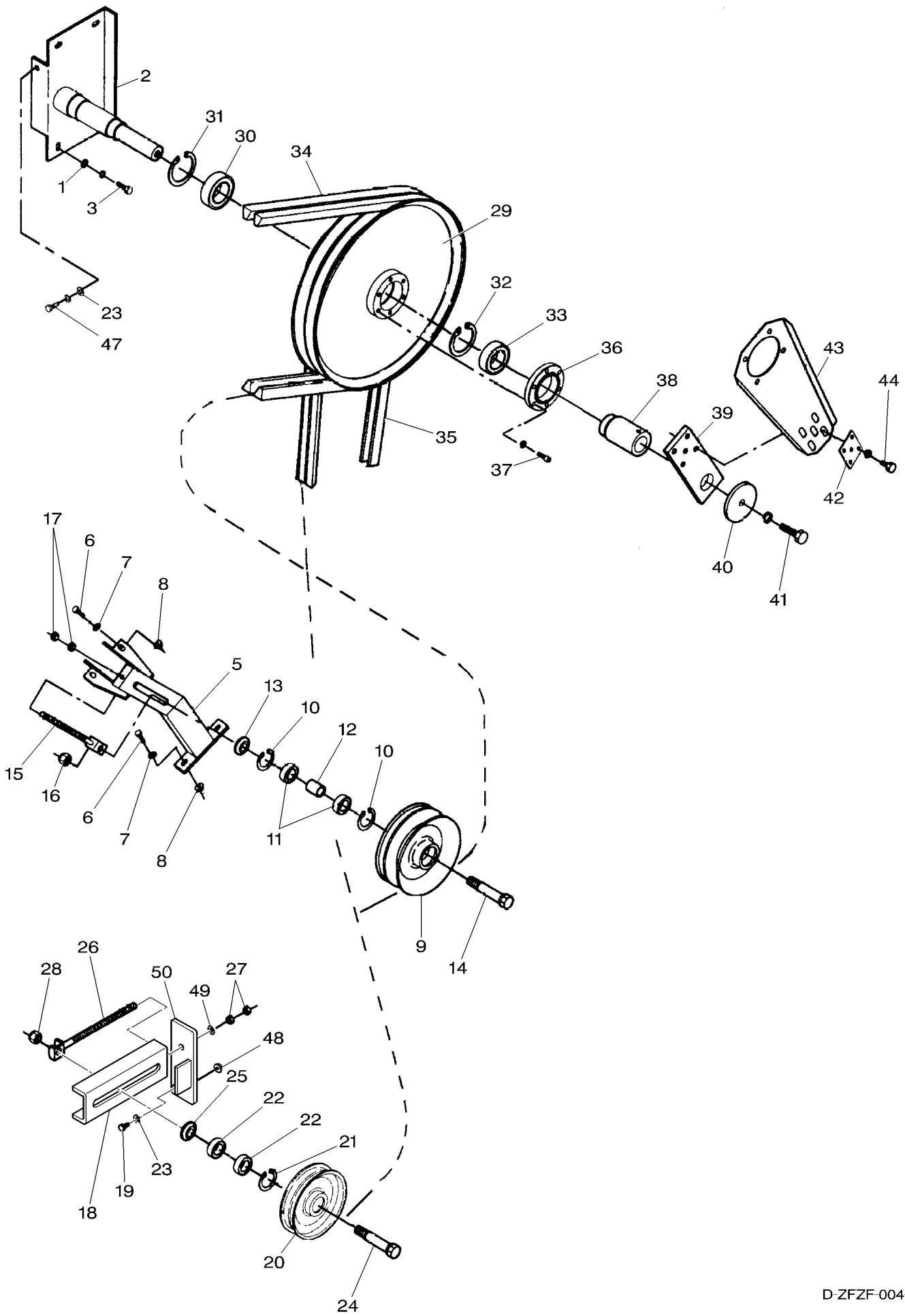
1	D28480704		1	WASHER	RONDELLE	SCHEIBE	ARANDELA
2	D28485104		1	SUPPORT	SUPPORT	TRAGER	SOPORTE
3	339123X1	M8 X 20	X	HEX. SOCK. SCREW	VIS TETE HEX	ZYLINDERSCHRAUBE	TORN.CAB.HUECA
5	D28485242		1	SUPPORT	SUPPORT	TRAGER	SOPORTE
6	D44900588		1	BATTERY	BATTERIE	BATTERIE	BATERIA
7	D28485263		1	SUPPORT	SUPPORT	TRAGER	SOPORTE
8	D28785916		2	HOSE	DURITE	SCHLAUCH	TUBO DE GOMA
9	D28781896		1	CABLE	CABLE	KABEL	CABLE
10	D28781896		1	CABLE	CABLE	KABEL	CABLE
11	D28781929		1	CABLE	CABLE	KABEL	CABLE
12	D28785946		1	HOSE	DURITE	SCHLAUCH	TUBO DE GOMA
13	D45059800		1	SWITCH	INTERRUPTEUR	SCHALTER	INTERRUPTOR
14	D28485264		1	BRACKET	SUPPORT FIXATION	HALTEAM	SOPORTE
15	D45060055		1	SPANNER	CLE	SCHR.SCHLUESSEL	LLAVE DE RUEDA
16	D28480423		3	PROFILE	PROFIL	PROFIL	PERFIL
17	D28480411		1	SHUTTER	OBTURATEUR	BLENDENVERSCHLUS	OBTURADOR
18	339761X1	M8 X 25	X	HEX. SOCK. SCREW	VIS TETE HEX	ZYLINDERSCHRAUBE	TORN.CAB.HUECA
19	D20400506		X	WASHER	RONDELLE	SCHEIBE	ARANDELA
20	D28480417		1	HINGE	CHARNIERE	SCHARNIER	CHARNELA
21	D28480413		X	SHUTTER	OBTURATEUR	BLENDENVERSCHLUS	OBTURADOR
22	D28480478		X	CHOCK	CALE	UNTERLEG-KEIL	CALZA
23	D28181516		1	RETAINER	RETENEUR	HALTERING	RETENEDOR
24	339761X1	M8 X 25	4	HEX. SOCK. SCREW	VIS TETE HEX	ZYLINDERSCHRAUBE	TORN.CAB.HUECA
25	D20400506		4	WASHER	RONDELLE	SCHEIBE	ARANDELA
26	394367X1	M8	4	NUT	ECROU	MUTTER	TUERCA
27	1441462X1	M6	X	LOCKNUT	ECROU FREIN	SICHERUNGSMUTTER	CONTRATUERCA
28	D28480156		2	SHUTTER	OBTURATEUR	BLENDENVERSCHLUS	OBTURADOR
29	D28480447	[A]	2	SHUTTER	OBTURATEUR	BLENDENVERSCHLUS	OBTURADOR
30	D28560165		6	U BOLT	ETRIER FILETE	BUEGELSCHRAUBE	BRIDA EN U
31	D27100120		6	HAIR PIN	EPINGLE	SICHERUNGSFEDER	RETENEDOR ELAST
32	D28560162		6	LEVER	LEVIER	HEBEL	PALANCA
33	339804X1	M6 X 25	X	HEX. SOCK. SCREW	VIS TETE HEX	ZYLINDERSCHRAUBE	TORN.CAB.HUECA
34	D28480206	1	1	TUBE	TUBE	ROHR	TUBO.
35	D28480153	1	1	BOTTOM	FOND	BODEN	FONDO

[A] OPTIONAL EQUIPMENT FOR PEAS
 EQUIPEMENT ACCESSOIRES POUR POIS SECS
 SONDERZUBEHOR FUER ERBSEN
 EQUIPO ACCESSORIO PARA GUI SANTES SECOS





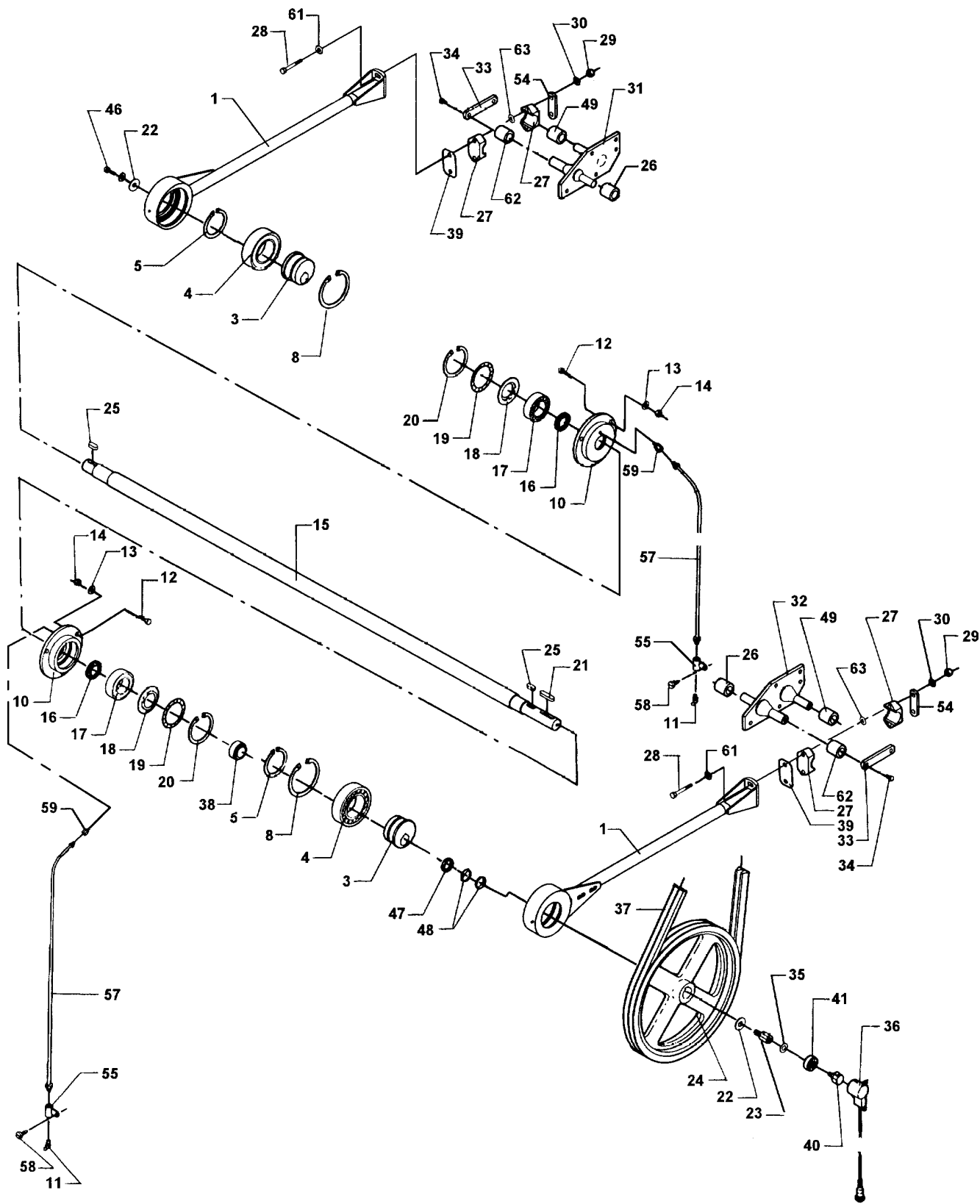
D-ZFZE-004-A

1	D28480203		1	BRACKET	SUPPORT FIXATION	HALTEARM	SOPORTE
2	3009492X1	M10 X 25	2	HEX. SOCK. SCREW	VIS TETE HEX	ZYLINDERSCHRAUBE	TORN.CAB.HUECA
3	D20400471		2	WASHER	RONDELLE	SCHEIBE	ARANDELA
4	D28480739		1	FORK	FOURCHETTE	GABEL	HORQUILLA
5	D28480869		1	BRACKET	SUPPORT FIXATION	HALTEARM	SOPORTE
6	339814X1	M10 X 35	2	HEX. SOCK. SCREW	VIS TETE HEX	ZYLINDERSCHRAUBE	TORN.CAB.HUECA
7	D20400416		4	WASHER	RONDELLE	SCHEIBE	ARANDELA
8	1440329X1	M10	2	LOCKNUT	ECROU FREIN	SICHERUNGSMUTTER	CONTRATUERCA
9	D28781903		1	CONNECTOR	BORNE.	DOPPELNIPPEL	CONECTOR
10	D28780326		1	PLATE	PLAQUE	PLATTE	PLATO
11	339560X1	M6 X 16	2	HEX. SOCK. SCREW	VIS TETE HEX	ZYLINDERSCHRAUBE	TORN.CAB.HUECA
12	D45080018		1	RAM	VERIN	HYDR.ZYLINDER	ARIETE
13	D28485350		1	BRACKET	SUPPORT FIXATION	HALTEARM	SOPORTE
14	D40445900		2	PIN	GOUPILLE	STIFT	PASADOR
15	D20400453		2	WASHER	RONDELLE	SCHEIBE	ARANDELA
17	D20400416		2	WASHER	RONDELLE	SCHEIBE	ARANDELA
18	D28480324		1	VARIATOR	VARIATEUR	VARIATOR	VARIADOR
18	D28480140	18	2	VARIATOR	VARIATEUR	VARIATOR	VARIADOR
19	D28480321	18	1	BEARING CARRIER	PALIER	LAGER GEHAEUSE	COJINETE APOYO
20	D28480144	18	1	WASHER	RONDELLE	SCHEIBE	ARANDELA
21	D28480316	18	1	SHAFT	ARBRE	WELLE	ARBOL
22	D40690400	18 M8 X 25	12	SCREW	VIS	SCHRAUBE	TORNILLO
23	D41628800	18	2	BALL BEARING	ROULEMENT BILLES	KUGELLAGER	COJINETE DE BOLA
24	1441858X1	18	1	GREASE FITTING	GRAISSEUR	DRUCKSCHMIERKOPF	ENGRASADOR
25	D45476400	18	2	O RING	JOINT TORIQUE	O-RING	JUNTA TOROIDAL
26	D41981100		1	BELT	COURROIE	RIEMEN	CORREA
26	D41981400		1	V BELT	COURROIE TRAPEZ	KEILRIEMEN	CORREA EN V
27	D28480317		1	FORK	FOURCHETTE	GABEL	HORQUILLA
28	339337X1	M8 X 30	6	HEX. SOCK. SCREW	VIS TETE HEX	ZYLINDERSCHRAUBE	TORN.CAB.HUECA
29	D20400506		4	WASHER	RONDELLE	SCHEIBE	ARANDELA
30	D40409400		2	SCREW METRIC	VIS METRIQUE	SCHRAUBE METR	TORNILLO METRICO
31	339230X1	M6 X 10	2	HEX. SOCK. SCREW	VIS TETE HEX	ZYLINDERSCHRAUBE	TORN.CAB.HUECA
32	D41981200	👁 11-2 No 90	1	BELT	COURROIE	RIEMEN	CORREA
33	D20400537		2	SPACER	ENTRETOISE	ABSTANDSTUECK	DISCO ESPACIADOR
34	D28480866		1	BRACKET	SUPPORT FIXATION	HALTEARM	SOPORTE
35	339761X1	M8 X 25	6	HEX. SOCK. SCREW	VIS TETE HEX	ZYLINDERSCHRAUBE	TORN.CAB.HUECA
36	D20400506		6	WASHER	RONDELLE	SCHEIBE	ARANDELA
37	394367X1	M8	6	NUT	ECROU	MUTTER	TUERCA



D-ZFZF-004-C

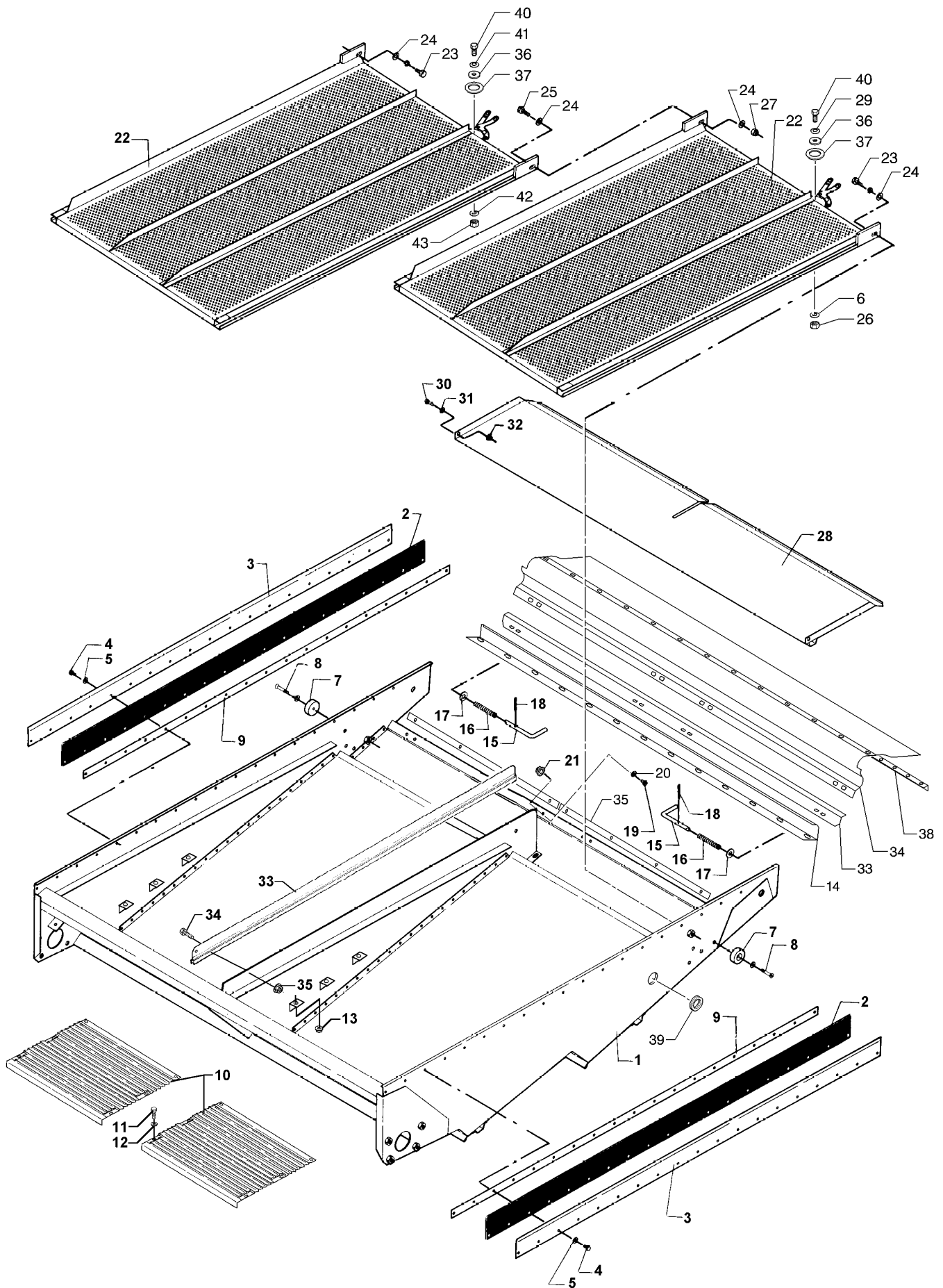
1	D20400473		4	WASHER	RONDELLE	SCHEIBE	ARANDELA
2	D28480588		1	BRACKET	SUPPORT FIXATION	HALTEAM	SOPORTE
3	D40407200	M10 X 45	4	HEX. SOCK. SCREW	VIS TETE HEX	ZYLINDERSCHRAUBE	TORN.CAB.HUECA
5	D28480245		1	BRACKET	SUPPORT FIXATION	HALTEAM	SOPORTE
6	339761X1	M8 X 25	4	HEX. SOCK. SCREW	VIS TETE HEX	ZYLINDERSCHRAUBE	TORN.CAB.HUECA
7	D20400414		4	WASHER	RONDELLE	SCHEIBE	ARANDELA
8	394367X1	M8	4	NUT	ECROU	MUTTER	TUERCA
9	D28384052		1	PULLEY	POULIE	RIEMENSCHLEIBE	POLEA
10	339199X1		2	CIRCLIP	CIRCLIP	SEEGERING	GRAPA CIRCULAR
11	SKF62042RS		2	BEAR. 6204 2RS	RLT 6204 2RS	LAGER 6204 2RS	RODA. 6204 2RS
12	D28384054		1	SPACER	ENTRETOISE	ABSTANDSTUECK	DISCO ESPACIADOR
13	D28380003		1	RING	ANNEAU	RING.	ANILLO
14	D28384053		1	BOLT	BOULON	BOLZEN	BULON
15	D28211025		1	BOLT	BOULON	BOLZEN	BULON
16	1442739X1	M16	1	LOCKNUT	ECROU FREIN	SICHERUNGSMUTTER	CONTRATUERCA
17	339402X1	M10	2	NUT SPECIAL	ECROU SPECIAL	SPEZIALMUTTER	TUERCA ESPECIAL
18	D28480384		1	BRACKET	SUPPORT FIXATION	HALTEAM	SOPORTE
19	D40407200	M10 X 45	2	HEX. SOCK. SCREW	VIS TETE HEX	ZYLINDERSCHRAUBE	TORN.CAB.HUECA
20	D28250441		1	PULLEY	POULIE	RIEMENSCHLEIBE	POLEA
21	339199X1		1	CIRCLIP	CIRCLIP	SEEGERING	GRAPA CIRCULAR
22	SKF62042RS		2	BEAR. 6204 2RS	RLT 6204 2RS	LAGER 6204 2RS	RODA. 6204 2RS
23	D20400416		3	WASHER	RONDELLE	SCHEIBE	ARANDELA
24	D28250444		1	BOLT	BOULON	BOLZEN	BULON
25	D28480457		1	SPACER	ENTRETOISE	ABSTANDSTUECK	DISCO ESPACIADOR
26	D28850316		1	BOLT	BOULON	BOLZEN	BULON
27	339402X1	M10	2	NUT SPECIAL	ECROU SPECIAL	SPEZIALMUTTER	TUERCA ESPECIAL
28	1442739X1	M16	1	LOCKNUT	ECROU FREIN	SICHERUNGSMUTTER	CONTRATUERCA
29	D28480895		1	WASHER	RONDELLE	SCHEIBE	ARANDELA
30	391347X1		1	BEAR. 6010 2RS	RLT 6010 2RS	LAGER 6010 2RS	RODA. 6010 2RS
31	339437X1		1	CIRCLIP	CIRCLIP	SEEGERING	GRAPA CIRCULAR
32	D42515100		1	CIRCLIP	CIRCLIP	SEEGERING	GRAPA CIRCULAR
33	SKF60092RS		1	BEAR. 6009 2RS	RLT 6009 2RS	LAGER 6009 2RS	RODA. 6009 2RS
34	D41990001	 4-5 No 58	2	V BELT	COURROIE TRAPEZ	KEILRIEMEN	CORREA EN V
35	D41933900	 6-7 No 37	1	KIT, V BELT	JEU COURROIES TR	KEILRIEMENSATZ	JUEGO DE CORREAS
36	D28485348		1	COVER	COUVERCLE	ABDECKUNG.	CUBIERTA
37	D40690400	M8 X 25	6	SCREW	VIS	SCHRAUBE	TORNILLO
38	D28480091		1	BUSH	BAGUE	RING	CASQUILLO
39	D28380018		1	BRACKET	SUPPORT FIXATION	HALTEAM	SOPORTE
40	D28750882		1	WASHER	RONDELLE	SCHEIBE	ARANDELA
41	390419X1	M16 X 40	1	HEX. SOCK. SCREW	VIS TETE HEX	ZYLINDERSCHRAUBE	TORN.CAB.HUECA
42	D28380178		1	DOG	CHIEN	KLAUE	PRISIONERO
43	D28380020		1	YOKE	CHAPE ARTICULAT	GELENKGABEL	YUGO
44	3009507X1	M12 X 35	5	HEX. SOCK. SCREW	VIS TETE HEX	ZYLINDERSCHRAUBE	TORN.CAB.HUECA
47	390799X1	M10 X 40	2	HEX. SOCK. SCREW	VIS TETE HEX	ZYLINDERSCHRAUBE	TORN.CAB.HUECA
48	D41092500		3	NUT	ECROU	MUTTER	TUERCA
49	D20400415		2	WASHER	RONDELLE	SCHEIBE	ARANDELA
50	D28480252	18	1	BRACKET	SUPPORT FIXATION	HALTEAM	SOPORTE



D-ZFZG-001-B

1	D28482274		2	ROD	TRINGLE	STANGE	VARILLA
3	D28482214		2	ECCENTRIC	EXCENTRIQUE	EXZENTER	ECCENTRICA
4	D41615000		2	BALL BEARING	ROULEMENT BILLES	KUGELLAGER	COJINETE DE BOLA
5	D42506300		2	CIRCLIP	CIRCLIP	SEEGERING	GRAPA CIRCULAR
8	D42517200		2	CIRCLIP	CIRCLIP	SEEGERING	GRAPA CIRCULAR
10	D28480258		2	BEARING CARRIER	PALIER	LAGER GEHAEUSE	COJINETE APOYO
11	339003X1		2	GREASE FITTING	GRAISSEUR	DRUCKSCHMIERKOPF	ENGRASADOR
12	3009493X1	M10 X 30	6	HEX. SOCK. SCREW	VIS TETE HEX	ZYLINDERSCHRAUBE	TORN.CAB.HUECA
13	D20400471		6	WASHER	RONDELLE	SCHEIBE	ARANDELA
14	1440329X1	M10	6	LOCKNUT	ECROU FREIN	SICHERUNGSMUTTER	CONTRATUERCA
15	D28480266		1	SHAFT	ARBRE	WELLE	ARBOL
16	D45478900		2	RING	ANNEAU	RING.	ANILLO
17	SKF62082RS		2	BEAR. 6208 2RS	RLT 6208 2RS	LAGER 6208 2RS	RODA. 6208 2RS
18	D45427500		2	SEAL	JOINT ETANCHEITE	DICHTRING	JUNTA REDONDA
19	D41679500		2	SPACER	ENTRETOISE	ABSTANDSTUECK	DISCO ESPACIADOR
20	1440516X1		2	CIRCLIP	CIRCLIP	SEEGERING	GRAPA CIRCULAR
21	1441579X1		1	KEY PARALLEL	CLAVETTE PARALEL	PASSFEDER	CHAVETA PLANA
22	D25400068		2	WASHER	RONDELLE	SCHEIBE	ARANDELA
23	D28780419		1	THREADED PART	PIECE FILETEE	GEWINDESTUECK	VARILLA ROSCADO
24	D28480460		1	PULLEY	POULIE	RIEMENSCHLEIFE	POLEA
25	339460X1		2	KEY PARALLEL	CLAVETTE PARALEL	PASSFEDER	CHAVETA PLANA
26	D28480268		2	BUSH	BAGUE	RING	CASQUILLO
27	D28480526		4	FITTING	MONTAGE	ANSCHL.VERSCHRIBG	ACCESORIO.
28	D40439600	M10 X 90	4	HEX. SOCK. SCREW	VIS TETE HEX	ZYLINDERSCHRAUBE	TORN.CAB.HUECA
29	D41092500		4	NUT	ECROU	MUTTER	TUERCA
30	D20400419		4	WASHER	RONDELLE	SCHEIBE	ARANDELA
31	D28480888	▶	1	SUPPORT	SUPPORT	TRAGER	SOPORTE
32	D28480887	◀	1	SUPPORT	SUPPORT	TRAGER	SOPORTE
33	D28480129		2	LINK	MAILLON	GLIED	ESLABON
34	3009492X1	M10 X 25	4	HEX. SOCK. SCREW	VIS TETE HEX	ZYLINDERSCHRAUBE	TORN.CAB.HUECA
35	D20400419		1	WASHER	RONDELLE	SCHEIBE	ARANDELA
36	D28780514		1	SENSOR	DETECTEUR	SENSOR	DETECTOR
37	D41933900	👁 6-6 No 35	1	KIT, V BELT	JEU COURROIES TR	KEILRIEMENSATZ	JUEGO DE CORREAS
38	D28480264		1	BUSH	BAGUE	RING	CASQUILLO
39	D28480430	[A]	X	CHOCK	CALE	UNTERLEG-KEIL	CALZA
40	D28780516		1	INDUCTIVE SENSOR	CAPTEUR INDUCTIF	INDUKT EMPFANGER	CAPTADOR INDUCTI
41	1440487X1		1	BEAR. 6203 2RS	RLT 6203 2RS	LAGER 6203 2RS	RODA. 6203 2RS
46	3009492X1	M10 X 25	1	HEX. SOCK. SCREW	VIS TETE HEX	ZYLINDERSCHRAUBE	TORN.CAB.HUECA
47	D28480467		1	RING	ANNEAU	RING.	ANILLO
48	D42596500		1	TIGHTENER	TENSEUR	SPANNROLLE	TENSADOR
49	D46481600		2	BUSH	BAGUE	RING	CASQUILLO
54	D28480571		2	DOG	CHIEN	KLAUE	PRISIONERO
55	D43009200		2	BRACKET	SUPPORT FIXATION	HALTEAM	SOPORTE
57	D28780831		2	TUBE	TUBE	ROHR	TUBO.
58	339666X1	M6 X 20	2	HEX. SOCK. SCREW	VIS TETE HEX	ZYLINDERSCHRAUBE	TORN.CAB.HUECA
59	D43009500		2	CONNECTOR	BORNE.	DOPPELNIPPEL	CONECTOR
61	D41112500		4	WASHER	RONDELLE	SCHEIBE	ARANDELA
62	D46481800		2	BUSH	BAGUE	RING	CASQUILLO
63	D20400507		2	SPACER	ENTRETOISE	ABSTANDSTUECK	DISCO ESPACIADOR

[A] QUANTITY AS REQUIRED
QUANTITE A LA DEMANDE
ANZAHL NACH BEDARF
CANTIDAD A LA DEMANDA



D-ZFZH-001-A

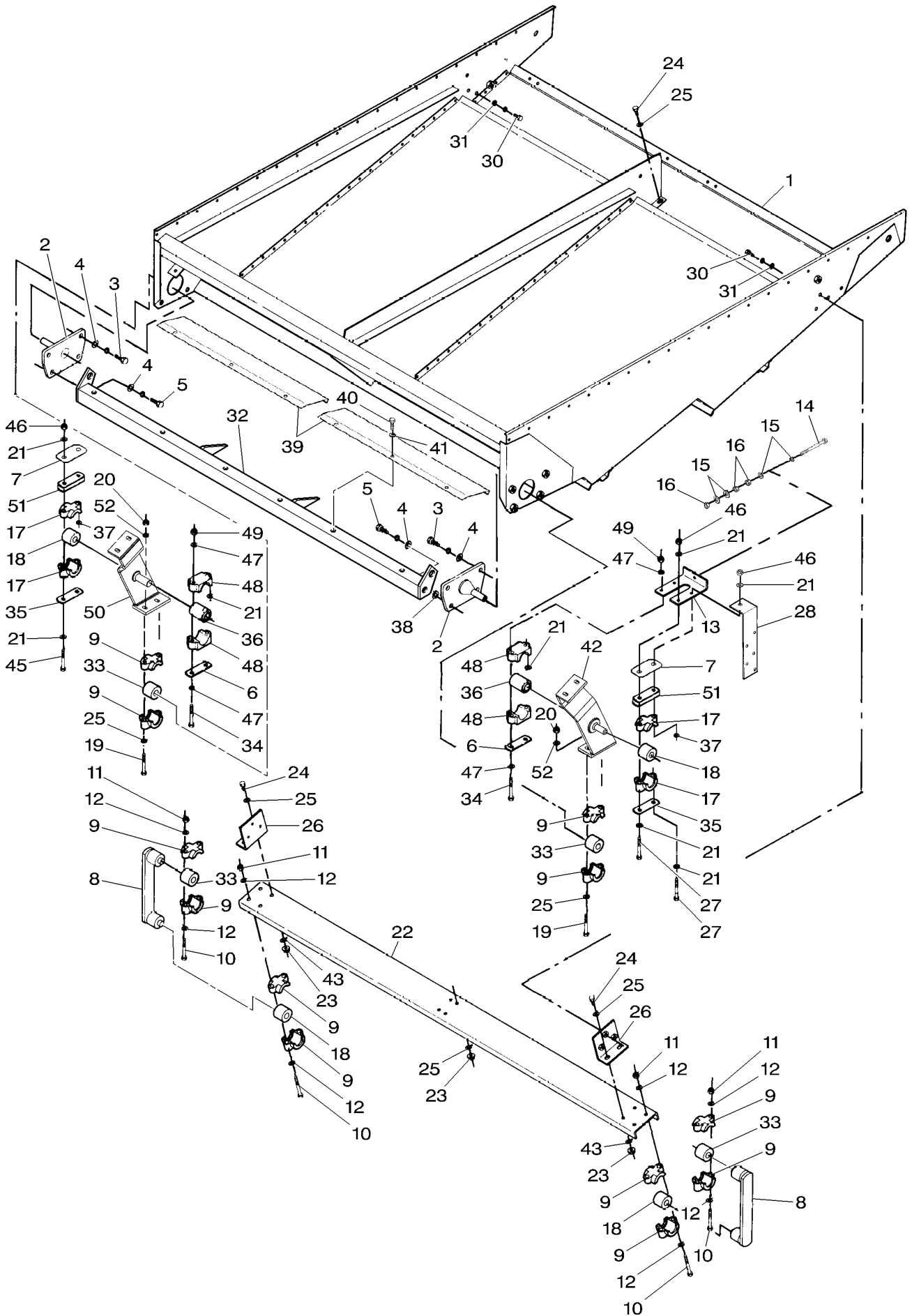
1	D28485167	USE D28485379 IF COMBINE WITH ELECT SIEVES	1	SHAKER SHOE	COFFRE NETTOYAGE	SIEBKASTEN	PROTEC. LIMPIA
1	D28480537	1 USE D28482339 IF COMBINE WITH ELECT SIEVES	1	SHAKER SHOE	COFFRE NETTOYAGE	SIEBKASTEN	PROTEC. LIMPIA
2	D28480541	1	2	GASKET	JOINT	FLACHDICHTUNG	JUNTA PLANA
3	D28480540	1	2	PLATE	PLAQUE	PLATTE	PLATO
4	339666X1	1 M6 X 20	X	HEX. SOCK. SCREW	VIS TETE HEX	ZYLINDERSCHRAUBE	TORN.CAB.HUECA
5	391038X1	1	X	FLAT WASHER	RONDELLE PLATE	UNTERLEGSCHIEBEN	ARANDELA PLANA
6	D41112600	1	2	CUP SPRING	RONDELLE RESSORT	TELLERFEDER	CUBETA DE MUELLE
7	D28480097	1	2	WASHER	RONDELLE	SCHIEBE	ARANDELA
8	1441585X1	1	2	SCREW METRIC	VIS METRIQUE	SCHRAUBE METR	TORNILLO METRICO
9	D28480496	1	2	SHIM	CALE REGLAGE	AUSGLEICHSCHEIBE	CALCE
10	D28480758	1	2	PLATE	PLAQUE	PLATTE	PLATO
11	339123X1	1 M8 X 20	8	HEX. SOCK. SCREW	VIS TETE HEX	ZYLINDERSCHRAUBE	TORN.CAB.HUECA
12	D20400506	1	8	WASHER	RONDELLE	SCHIEBE	ARANDELA
13	394367X1	1 M8	8	NUT	ECROU	MUTTER	TUERCA
14	D28485248	1	1	PROFILE	PROFIL	PROFIL	PERFIL
15	D28485364	1	2	LEVER	LEVIER	HEBEL	PALANCA
16	D27200158	1	2	SPRING	RESSORT	FEDER	MUELLE
17	D20400426	1	2	WASHER	RONDELLE	SCHIEBE	ARANDELA
18	339129X1	1 \varnothing 3,2 X 25	2	SPLIT PIN	GOUPILLE FENDUE	SPALTBOLZEN	PASADOR HENDIDO
19	339560X1	1 M6 X 16	8	HEX. SOCK. SCREW	VIS TETE HEX	ZYLINDERSCHRAUBE	TORN.CAB.HUECA
20	391038X1	1	8	FLAT WASHER	RONDELLE PLATE	UNTERLEGSCHIEBEN	ARANDELA PLANA
21	1441462X1	1 M6	8	LOCKNUT	ECROU FREIN	SICHERUNGSMUTTER	CONTRATUERCA
22	D28480099	[AC]	2	SIEVE	TRIEUR	SIEB	ZARANDA
22	D28480309	\varnothing 2,5 MM	2	SIEVE	TRIEUR	SIEB	ZARANDA
22	D28480310	[AD] \varnothing 5 MM	2	SIEVE	TRIEUR	SIEB	ZARANDA
23	339139X1	M12 X 25	2	HEX. SOCK. SCREW	VIS TETE HEX	ZYLINDERSCHRAUBE	TORN.CAB.HUECA
24	D20400426	1	4	WASHER	RONDELLE	SCHIEBE	ARANDELA
25	1440716X1	M12 X 30	1	HEX. SOCK. SCREW	VIS TETE HEX	ZYLINDERSCHRAUBE	TORN.CAB.HUECA
26	394367X1	M8	2	NUT	ECROU	MUTTER	TUERCA
27	1442190X1	M12	1	LOCKNUT	ECROU FREIN	SICHERUNGSMUTTER	CONTRATUERCA
28	D28480450	[AB]	1	PLATE	PLAQUE	PLATTE	PLATO
29	D41112900	[AB]	2	CUP SPRING	RONDELLE RESSORT	TELLERFEDER	CUBETA DE MUELLE
30	339123X1	[AB] M8 X 20	2	HEX. SOCK. SCREW	VIS TETE HEX	ZYLINDERSCHRAUBE	TORN.CAB.HUECA
31	D20400500	[AB]	2	SPACER	ENTRETOISE	ABSTANDSTUECK	DISCO ESPACIADOR
32	394367X1	[AB] M8	2	NUT	ECROU	MUTTER	TUERCA
33	D28485250	1	1	RAIL	RAIL	SCHIENE	RIEL
34	D28485446	1	1	COVER	COUVERCLE	ABDECKUNG.	CUBIERTA
35	D28482350	2	2	STRIP	RUBAN	STREIFEN	TIRA
36	D28482231	2	2	WASHER	RONDELLE	SCHIEBE	ARANDELA
37	D45715900	2	2	FRICTION DISC	DISQUE FRICTION	REIBSCHEIBE	DISCO FRICCION
38	D28480076	1	1	RAIL	RAIL	SCHIENE	RIEL
39	D44732500	X	X	GROMMET	PASSE FIL	GUMMITUELLE	PASACABLE
40	385370X1	M8 X 25	2	BOLT	BOULON	BOLZEN	BULON
41	D41112900	2	2	CUP SPRING	RONDELLE RESSORT	TELLERFEDER	CUBETA DE MUELLE
42	D41112600	2	2	CUP SPRING	RONDELLE RESSORT	TELLERFEDER	CUBETA DE MUELLE
43	394367X1	M8	2	NUT	ECROU	MUTTER	TUERCA

[A] OPTIONAL EQUIPMENT
 EQUIPEMENTS ACCESSOIRES
 SONDERZUBEHOR
 EQUIP. ADITAMENTO

[B] FOR MAIZE
 POUR MAIS
 FUR MAIS
 PARA MAIZ

[C] FOR CLOVER
 POUR TREFLE
 FUR KLEE
 PARA TREBOL

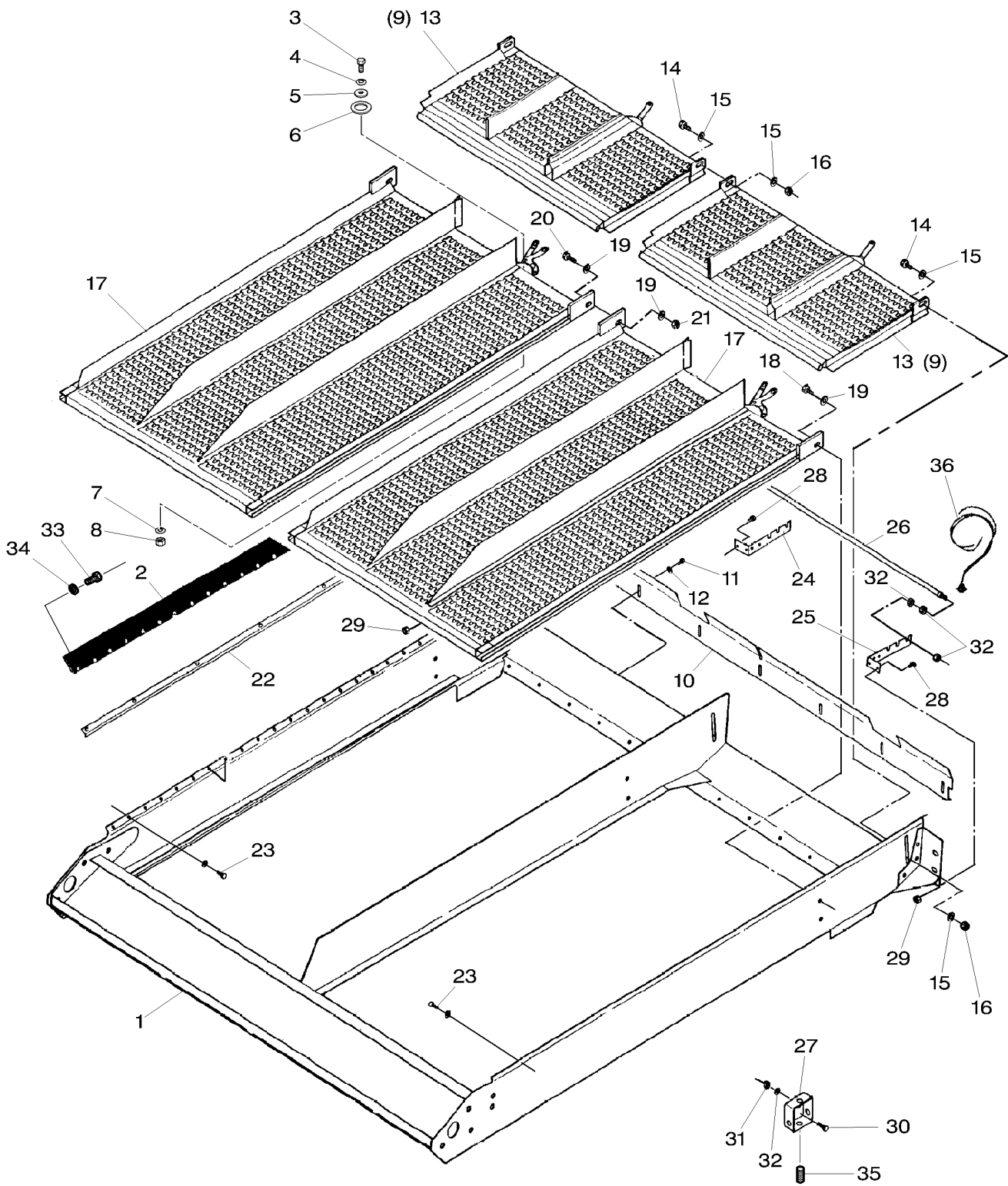
[D] FOR RAPESEED
 POUR COLZA
 FUR RAPS
 PARA COLZA



D-ZFZI-005-B

		1 SHAKER SHOE	COFFRE NETTOYAGE	SIEBKASTEN	PROTEC. LIMPIA
1 D28480537	USE D28485379 IF COMBINE WITH ELECT SIEVES				
2 D28480505	CPL	2 SUPPORT	SUPPORT	TRAGER	SOPORTE
2 D28480081	2	2 BRACKET	SUPPORT FIXATION	HALTEARM	SOPORTE
3 1440716X1	M12 X 30	6 HEX. SOCK. SCREW	VIS TETE HEX	ZYLINDERSCHRAUBE	TORN.CAB.HUECA
4 D20400537		8 SPACER	ENTRETOISE	ABSTANDSTUECK	DISCO ESPACIADOR
5 390912X1	M12 X 40	2 HEX. SOCK. SCREW	VIS TETE HEX	ZYLINDERSCHRAUBE	TORN.CAB.HUECA
6 D28485226		X CLAMP	COLLIER	HALTESCHELLE	ABRAZADERA
7 D28485234		X PLATE	PLAQUE	PLATTE	PLATO
8 D28480909		2 ARM	BRAS	SCHARHEBEL	BRAZO
9 D28430010		8 HALF FLANGE	DEMI FLASQUE	HALBFLANSCH	MEDIA PLETINA
10 D40426500		8 SCREW	VIS	SCHRAUBE	TORNILLO
11 1440329X1	M10	8 LOCKNUT	ECROU FREIN	SICHERUNGSMUTTER	CONTRATUERCA
12 D20400419		16 WASHER	RONDELLE	SCHEIBE	ARANDELA
13 D28485227		1 PLATE	PLAQUE	PLATTE	PLATO
14 390122X1	M10 X 80	1 HEX. SOCK. SCREW	VIS TETE HEX	ZYLINDERSCHRAUBE	TORN.CAB.HUECA
15 D20400419		4 WASHER	RONDELLE	SCHEIBE	ARANDELA
16 339402X1	M10	3 NUT SPECIAL	ECROU SPECIAL	SPEZIALMUTTER	TUERCA ESPECIAL
17 D28485224		8 BRACKET	SUPPORT FIXATION	HALTEARM	SOPORTE
18 D46481700	2	4 BUSH	BAGUE	RING	CASQUILLO
18 D28450420	8	4 BUSH	BAGUE	RING	CASQUILLO
19 D40438900		6 SCREW	VIS	SCHRAUBE	TORNILLO
20 D41092500		X NUT	ECROU	MUTTER	TUERCA
21 D20400426		X WASHER	RONDELLE	SCHEIBE	ARANDELA
22 D28480127		1 PROFILE	PROFIL	PROFIL	PERFIL
23 1440329X1	M10	8 LOCKNUT	ECROU FREIN	SICHERUNGSMUTTER	CONTRATUERCA
24 3009493X1	M10 X 30	8 HEX. SOCK. SCREW	VIS TETE HEX	ZYLINDERSCHRAUBE	TORN.CAB.HUECA
25 D20400419		8 WASHER	RONDELLE	SCHEIBE	ARANDELA
26 D28480114		2 ANGLE.	EQUERRE.	WINKEL	ANGULO
27 390171X1	M12 X 120	X HEX. SOCK. SCREW	VIS TETE HEX	ZYLINDERSCHRAUBE	TORN.CAB.HUECA
28 D28782403		1 RETAINER	RETENEUR	HALTERING	RETENEDOR
30 3009491X1	M10 X 20	6 HEX. SOCK. SCREW	VIS TETE HEX	ZYLINDERSCHRAUBE	TORN.CAB.HUECA
31 D20400419		6 WASHER	RONDELLE	SCHEIBE	ARANDELA
32 D28480502		1 STAY	HAUBAN	STREBE	TIRANTE
33 D28450420		4 BUSH	BAGUE	RING	CASQUILLO
34 390806X1	M12 X 130	4 HEX. SOCK. SCREW	VIS TETE HEX	ZYLINDERSCHRAUBE	TORN.CAB.HUECA
35 D28480860		2 CLAMP	COLLIER	HALTESCHELLE	ABRAZADERA
36 D46481600		2 BUSH	BAGUE	RING	CASQUILLO
37 D28480862		2 SHIM	CALE REGLAGE	AUSGLEICHSCHEIBE	CALCE
38 D20400513	[B]	X SPACER	ENTRETOISE	ABSTANDSTUECK	DISCO ESPACIADOR
39 D28480761		2 PLATE	PLAQUE	PLATTE	PLATO
40 339123X1	M8 X 20	6 HEX. SOCK. SCREW	VIS TETE HEX	ZYLINDERSCHRAUBE	TORN.CAB.HUECA
41 D20400506		6 WASHER	RONDELLE	SCHEIBE	ARANDELA
42 D28485219	◀ CPL.	1 ARM	BRAS	SCHARHEBEL	BRAZO
42 D28485217	◀	1 ARM	BRAS	SCHARHEBEL	BRAZO
43 D20400416		4 WASHER	RONDELLE	SCHEIBE	ARANDELA
45 D40429600		2 SCREW	VIS	SCHRAUBE	TORNILLO
46 1442190X1	M12	X LOCKNUT	ECROU FREIN	SICHERUNGSMUTTER	CONTRATUERCA
47 D20400426		8 WASHER	RONDELLE	SCHEIBE	ARANDELA
48 D28485223		4 BRACKET	SUPPORT FIXATION	HALTEARM	SOPORTE
49 1442190X1	M12	4 LOCKNUT	ECROU FREIN	SICHERUNGSMUTTER	CONTRATUERCA
50 D28485220	▶ CPL.	1 ARM	BRAS	SCHARHEBEL	BRAZO
50 D28485218	▶	1 ARM	BRAS	SCHARHEBEL	BRAZO
51 D28485225		X CONNECTOR	BORNE.	DOPPELNIPPEL	CONECTOR
52 D20400473		4 WASHER	RONDELLE	SCHEIBE	ARANDELA

[B] OPTIONAL
 EN OPTION
 WAHLWEISE
 OPCIONAL



D-ZFAZ-004-A

1	D28485258	USE D28485378 IF COMBINE WITH ELECT SIEVES CPL	1	SHAKER SHOE	COFFRE NETTOYAGE	SIEBKASTEN	PROTEC. LIMPIA
1	D28480542	1 USE D28482322 IF COMBINE WITH ELECT SIEVES	1	SHAKER SHOE	COFFRE NETTOYAGE	SIEBKASTEN	PROTEC. LIMPIA
2	D28480546	1	2	GASKET	JOINT	FLACHDICHTUNG	JUNTA PLANA
3	385370X1	M8 X 25	X	BOLT	BOULON	BOLZEN	BULON
4	D41112900		X	CUP SPRING	RONDELLE RESSORT	TELLERFEDER	CUBETA DE MUELLE
5	D28482231		2	WASHER	RONDELLE	SCHEIBE	ARANDELA
6	D45715900		2	FRICITION DISC	DISQUE FRICTION	REIBSCHEIBE	DISCO FRICCION
7	D41112600		X	CUP SPRING	RONDELLE RESSORT	TELLERFEDER	CUBETA DE MUELLE
8	394367X1	M8	X	NUT	ECROU	MUTTER	TUERCA
9	D28480783	[C]	2	CONTROL	CONTROLE	STEUERUNG	MANDO
10	D28480992		1	PLATE	PLAQUE	PLATTE	PLATO
11	339666X1	M6 X 20	7	HEX. SOCK. SCREW	VIS TETE HEX	ZYLINDERSCHRAUBE	TORN.CAB.HUECA
12	391038X1		7	FLAT WASHER	RONDELLE PLATE	UNTERLEGSCHIEBEN	ARANDELA PLANA
13	D28480101	[D]	2	EXTENSION	RALLONGE	VERLAENGERUNG	ENSANCHE
13	D28480432	[AE]	2	GRILLE	GRILLE	GRILL	REJILLA
14	339139X1	M12 X 25	3	HEX. SOCK. SCREW	VIS TETE HEX	ZYLINDERSCHRAUBE	TORN.CAB.HUECA
15	D20400426		6	WASHER	RONDELLE	SCHEIBE	ARANDELA
16	1442190X1	M12	3	LOCKNUT	ECROU FREIN	SICHERUNGSMUTTER	CONTRATUERCA
17	D28480100		2	SIEVE	TRIEUR	SIEB	ZARANDA
17	D28480431	[AE]	2	SIEVE	TRIEUR	SIEB	ZARANDA
17	D28480451	[A]	2	SIEVE	TRIEUR	SIEB	ZARANDA
		GREAPLE 23					
18	339139X1	M12 X 25	2	HEX. SOCK. SCREW	VIS TETE HEX	ZYLINDERSCHRAUBE	TORN.CAB.HUECA
19	D20400426		4	WASHER	RONDELLE	SCHEIBE	ARANDELA
20	1440716X1	M12 X 30	1	HEX. SOCK. SCREW	VIS TETE HEX	ZYLINDERSCHRAUBE	TORN.CAB.HUECA
21	1442190X1	M12	1	LOCKNUT	ECROU FREIN	SICHERUNGSMUTTER	CONTRATUERCA
22	D28480545	1	2	RAIL	RAIL	SCHIENE	RIEL
23	D40688200		2	SCREW METRIC	VIS METRIQUE	SCHRAUBE METR	TORNILLO METRICO
24	D28780774	[B]	1	SUPPORT	SUPPORT	TRAGER	SOPORTE
		▶					
25	D28780773	[B]	1	SUPPORT	SUPPORT	TRAGER	SOPORTE
		▲					
26	D44900624	[B]	1	SENSOR	DETECTEUR	SENSOR	DETECTOR
		●○ D45062700					
27	D28781903		1	CONNECTOR	BORNE.	DOPPELNIPPEL	CONECTOR
28	339666X1	M6 X 20	4	HEX. SOCK. SCREW	VIS TETE HEX	ZYLINDERSCHRAUBE	TORN.CAB.HUECA
29	D41010600	M6	4	NUT	ECROU	MUTTER	TUERCA
30	392383X1		2	SCREW	VIS	SCHRAUBE	TORNILLO
31	D41010500		2	NUT	ECROU	MUTTER	TUERCA
32	392310X1	[B]	6	NUT	ECROU	MUTTER	TUERCA
		M10					
33	339123X1	M8 X 20	14	HEX. SOCK. SCREW	VIS TETE HEX	ZYLINDERSCHRAUBE	TORN.CAB.HUECA
34	D20400506		16	WASHER	RONDELLE	SCHEIBE	ARANDELA
35	D45090071		1	PLUG	BOUCHON	STOPFEN	TAPON
36	D45050067		1	HARNESS	FAISCEAU	KABELBAUM	MAZO CABLES

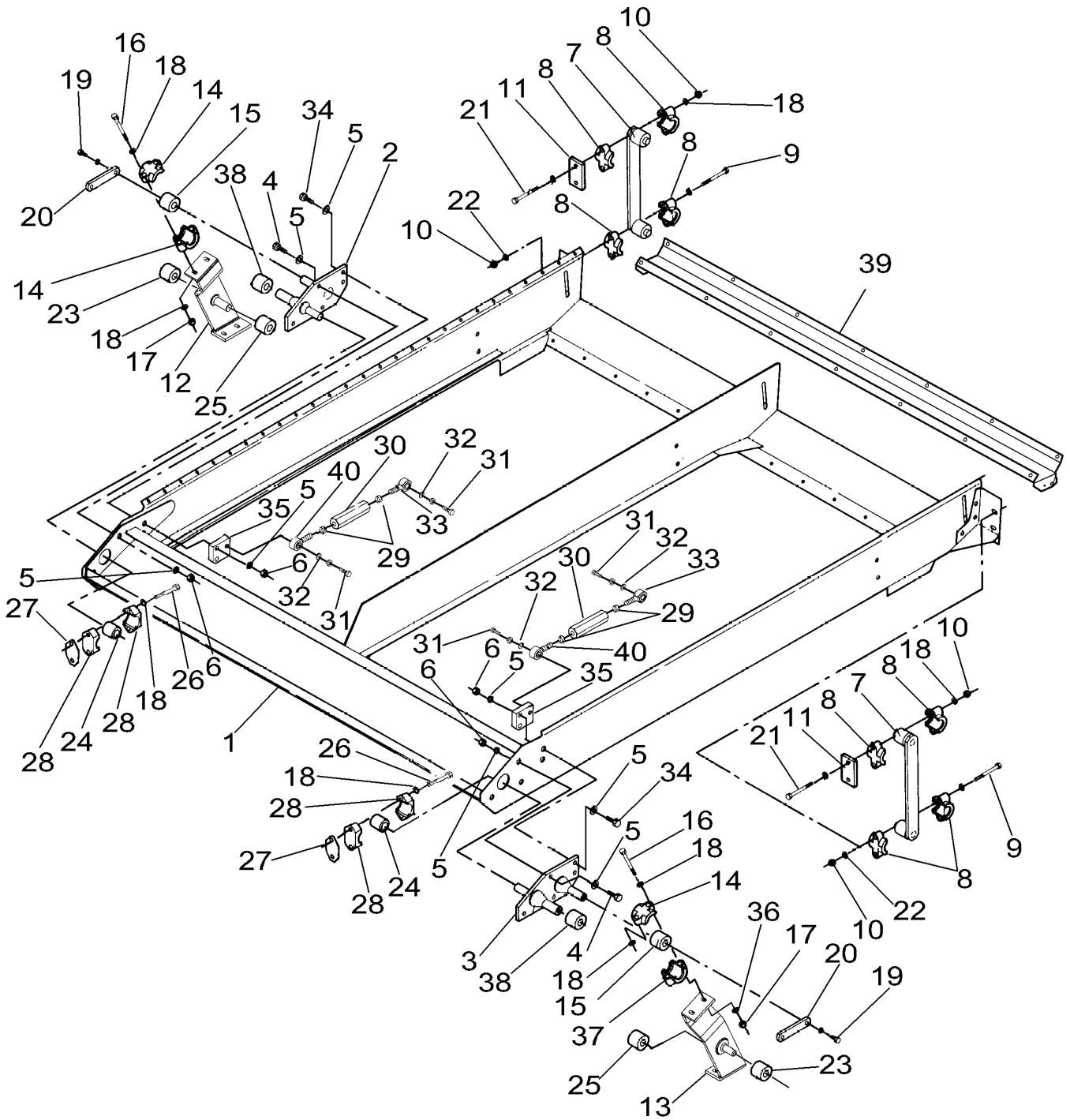
[A] OPTIONAL EQUIPMENT
EQUIPEMENTS ACCESSOIRES
SONDERZUBEHOR
EQUIP. ADITAMENTO

[B] OPTIONAL EQUIPMENT GRAIN LOSS INDICATOR
EQUIPEMENTS ACCESSOIRES INDICATEUR DE PERTE
SONDERZUBEHOR VERLUSTANZEIGER OPTIONAL EQUIPMENT GRAIN LOSS INDICATOR
EQUIPOMIENTO ACCESORIO INDICADOR DE PERDIDO

[C] OPTIONAL EQUIPMENT STANDARD COMBINE, STANDARD EQUIPMENT AUTO LEVEL COMBINE, SLOPES
EQUIP. ACCESSOIRES MOISSONNEUSE BATTEUSE STAND. - STANDARD EQUIPMENT MOISSONNEUSE-BAT.
AUTO LEVEL
ZONDERZUBEHOR STANDARD MASCHINE, STANDARD AUSRUSTUNG AUTO LEVEL MASCHINE
EQUIPO OPCIONAL, COSECHADORA ESTANDAR EQUIP. - COSECHADORA AUTONIVELACION

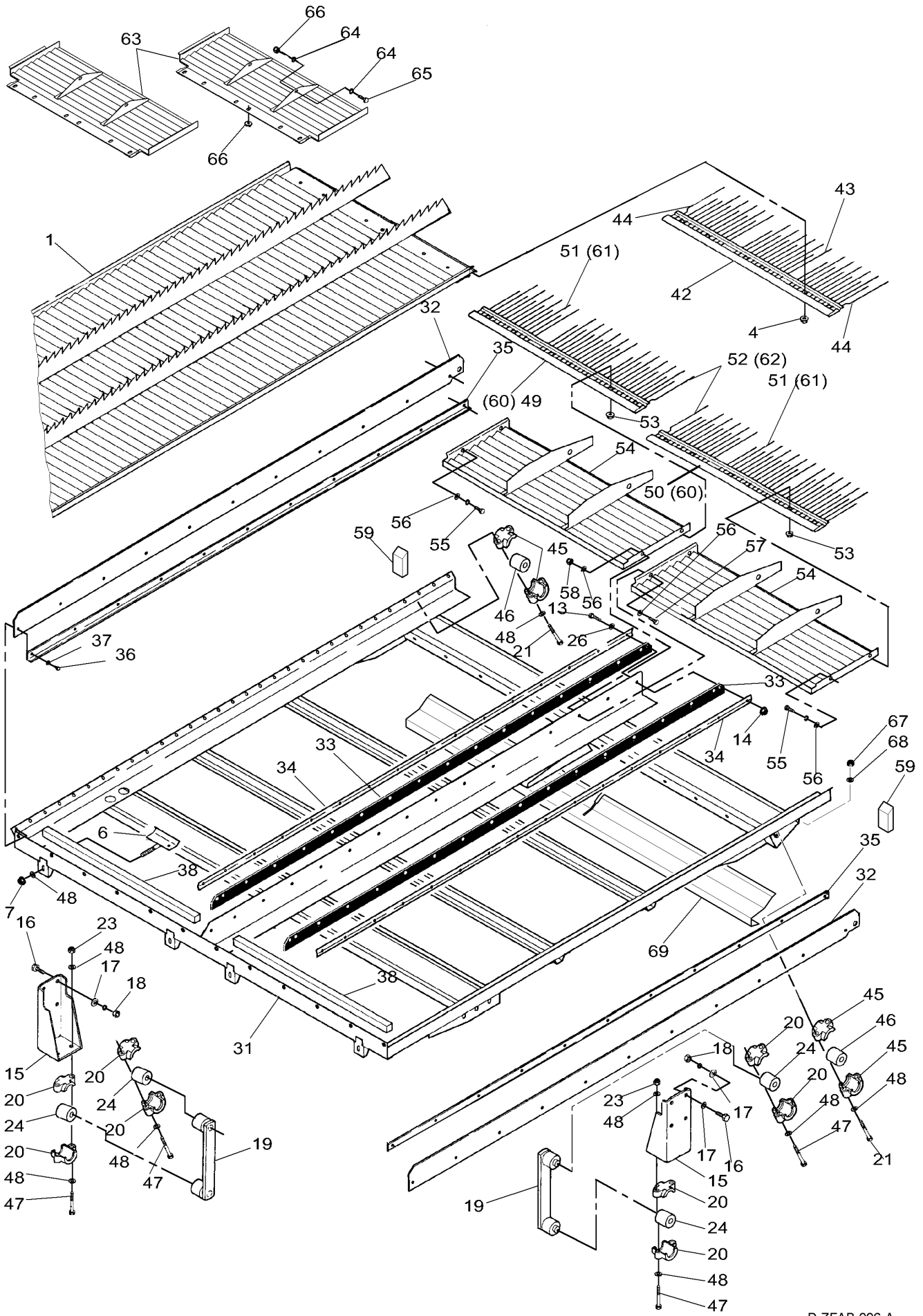
[D] STANDARD COMBINE
MOISSONNEUSE-BATTEUSE STANDARD
STANDARD MASCHINE
COSECHADORA ESTANDAR

[E] FOR MAIZE
POUR MAIS
FUR MAIS
PARA MAIZ



D-ZFAA-001-B

1	D28485258	USE D28485378 IF COMBINE WITH ELECT SIEVES CPL	1	SHAKER SHOE	COFFRE NETTOYAGE	SIEBKASTEN	PROTEC. LIMPIA
1	D28480542	1 USE D28482322 IF COMBINE WITH ELECT SIEVES	1	SHAKER SHOE	COFFRE NETTOYAGE	SIEBKASTEN	PROTEC. LIMPIA
2	D28480888	▶	1	SUPPORT	SUPPORT	TRAGER	SOPORTE
3	D28480887	◀	1	SUPPORT	SUPPORT	TRAGER	SOPORTE
4	3009507X1	M12 X 35	6	HEX. SOCK. SCREW	VIS TETE HEX	ZYLINDERSCHRAUBE	TORN.CAB.HUECA
5	D20400537		20	SPACER	ENTRETOISE	ABSTANDSTUECK	DISCO ESPACIADOR
6	1442190X1	M12	10	LOCKNUT	ECROU FREIN	SICHERUNGSMUTTER	CONTRATUERCA
7	D28480911		2	ARM	BRAS	SCHARHEBEL	BRAZO
8	D28430010		8	HALF FLANGE	DEMI FLASQUE	HALBFLANSCH	MEDIA PLETINA
9	D40426500		4	SCREW	VIS	SCHRAUBE	TORNILLO
10	1440329X1	M10	8	LOCKNUT	ECROU FREIN	SICHERUNGSMUTTER	CONTRATUERCA
11	D28480235		2	SHIM	CALE REGLAGE	AUSGLEICHSCHEIBE	CALCE
12	D28485220	▶ CPL.	1	ARM	BRAS	SCHARHEBEL	BRAZO
12	D28485218	12 ▶▶	1	ARM	BRAS	SCHARHEBEL	BRAZO
13	D28485219	◀▶ CPL.	1	ARM	BRAS	SCHARHEBEL	BRAZO
13	D28485217	13 ◀◀	1	ARM	BRAS	SCHARHEBEL	BRAZO
14	D28485244		4	BRACKET	SUPPORT FIXATION	HALTEAM	SOPORTE
15	D46481600		2	BUSH	BAGUE	RING	CASQUILLO
16	3009503X1	M10 X 90	4	HEX. SOCK. SCREW	VIS TETE HEX	ZYLINDERSCHRAUBE	TORN.CAB.HUECA
17	1440329X1	M10	4	LOCKNUT	ECROU FREIN	SICHERUNGSMUTTER	CONTRATUERCA
18	D20400426		8	WASHER	RONDELLE	SCHEIBE	ARANDELA
19	3009492X1	M10 X 25	4	HEX. SOCK. SCREW	VIS TETE HEX	ZYLINDERSCHRAUBE	TORN.CAB.HUECA
20	D28480129		2	LINK	MAILLON	GLIED	ESLABON
21	3009503X1	M10 X 90	4	HEX. SOCK. SCREW	VIS TETE HEX	ZYLINDERSCHRAUBE	TORN.CAB.HUECA
22	D20400473		4	WASHER	RONDELLE	SCHEIBE	ARANDELA
23	D46481700	12	2	BUSH	BAGUE	RING	CASQUILLO
23	D46481700	13	2	BUSH	BAGUE	RING	CASQUILLO
24	D28480268		4	BUSH	BAGUE	RING	CASQUILLO
25	D46481600	12	2	BUSH	BAGUE	RING	CASQUILLO
25	D46481600	13	2	BUSH	BAGUE	RING	CASQUILLO
26	D40426500		4	SCREW	VIS	SCHRAUBE	TORNILLO
27	D28480105		2	PLATE	PLAQUE	PLATTE	PLATO
28	D28480270		4	HALF FLANGE	DEMI FLASQUE	HALBFLANSCH	MEDIA PLETINA
29	3009695X1	M12	4	NUT	ECROU	MUTTER	TUERCA
30	D28480838		2	BOLT	BOULON	BOLZEN	BULON
31	3009507X1	M12 X 35	4	HEX. SOCK. SCREW	VIS TETE HEX	ZYLINDERSCHRAUBE	TORN.CAB.HUECA
32	D20400424		4	WASHER	RONDELLE	SCHEIBE	ARANDELA
33	D45698800		2	TOGGLE	ROTULE	GELENKZAPFEN	ROTULA
34	D40411400		4	SCREW METRIC	VIS METRIQUE	SCHRAUBE METR	TORNILLO METRICO
35	D28480694		2	SUPPORT	SUPPORT	TRAGER	SOPORTE
36	D20400473		2	WASHER	RONDELLE	SCHEIBE	ARANDELA
37	D28485223		4	BRACKET	SUPPORT FIXATION	HALTEAM	SOPORTE
38	D46481800		X	BUSH	BAGUE	RING	CASQUILLO
39	D28485323		1	SEAL	JOINT ETANCHEITE	DICHTRING	JUNTA REDONDA
40	D45699000		2	TOGGLE	ROTULE	GELENKZAPFEN	ROTULA

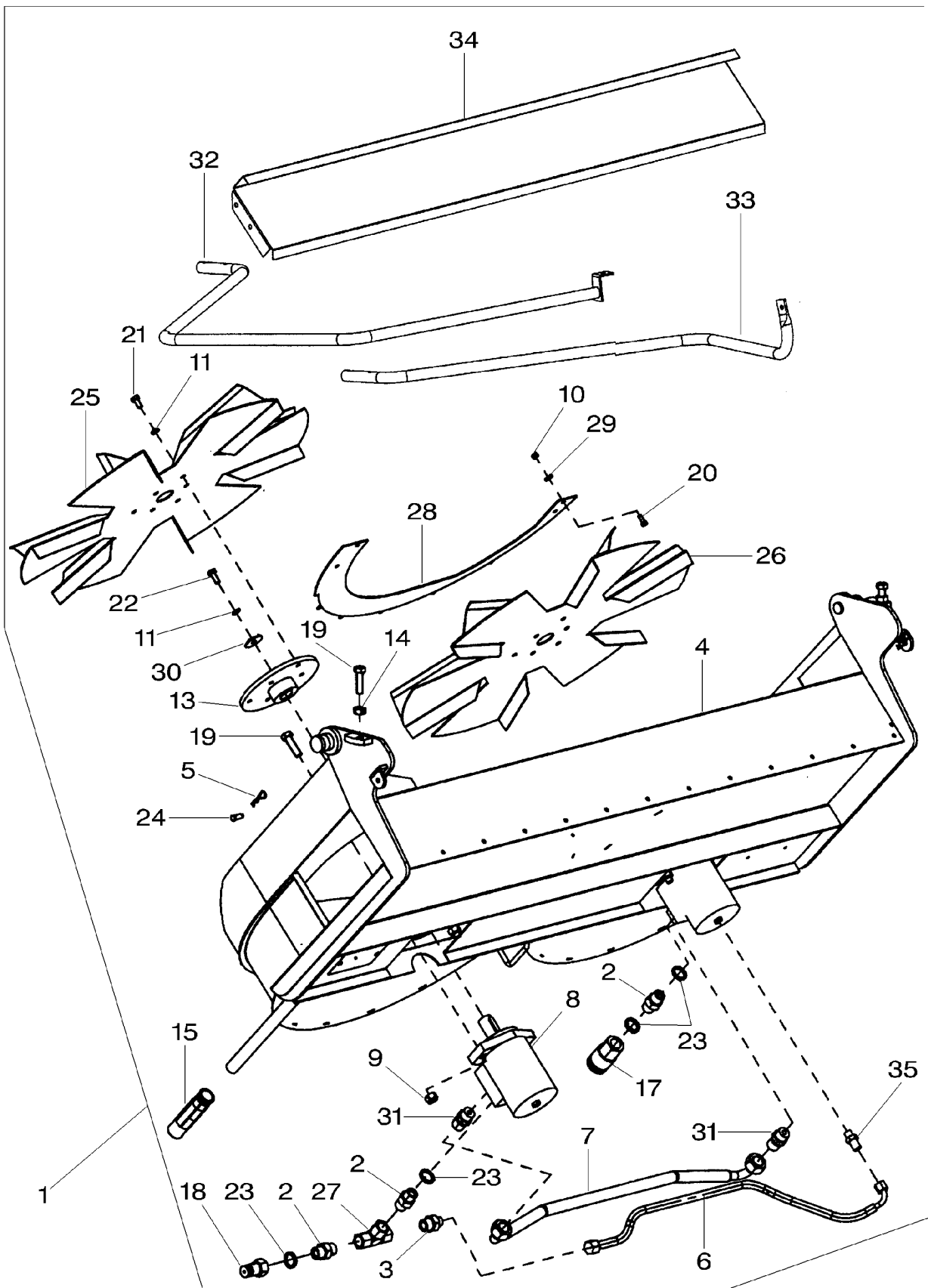


D-ZFAB-006-A

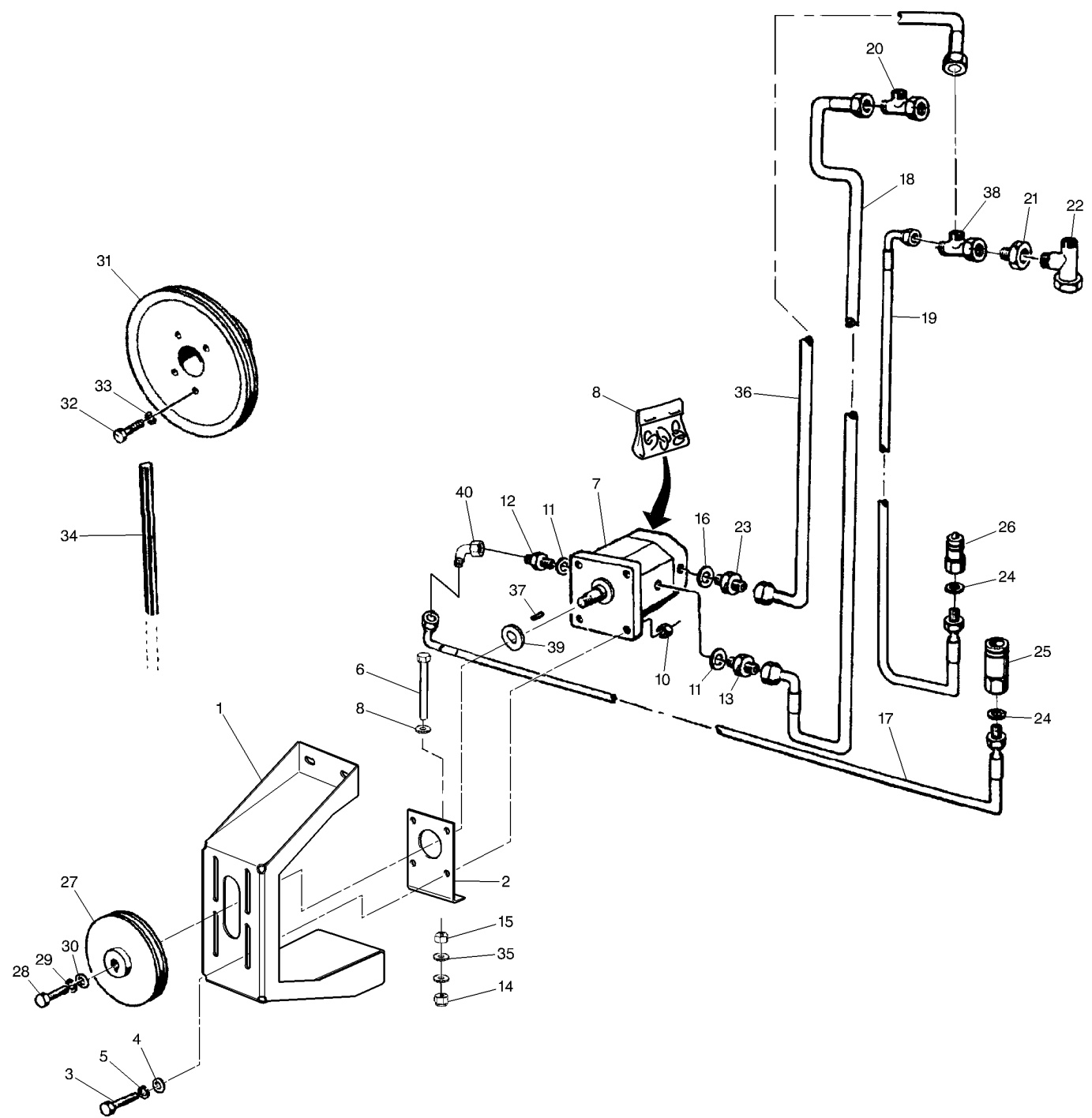
1	D28480820		2	PAN	RECEPTEUR	AUFFANGWANNE	CUBA
4	394367X1	M8	12	NUT	ECROU	MUTTER	TUERCA
6	D28480012		4	HOOK	CROCHET	HAKEN	GANCHO
7	1440329X1	M10	4	LOCKNUT	ECROU FREIN	SICHERUNGSMUTTER	CONTRATUERCA
13	339262X1	M6 X 30	9	HEX. SOCK. SCREW	VIS TETE HEX	ZYLINDERSCHRAUBE	TORN.CAB.HUECA
14	1441462X1	M6	9	LOCKNUT	ECROU FREIN	SICHERUNGSMUTTER	CONTRATUERCA
15	D28480070		2	BRACKET	SUPPORT FIXATION	HALTEAM	SOPORTE
16	1440716X1	M12 X 30	8	HEX. SOCK. SCREW	VIS TETE HEX	ZYLINDERSCHRAUBE	TORN.CAB.HUECA
17	D20400426		16	WASHER	RONDELLE	SCHEIBE	ARANDELA
18	3009695X1	M12	8	NUT	ECROU	MUTTER	TUERCA
19	D28480909		2	ARM	BRAS	SCHARHEBEL	BRAZO
20	D28430010		8	HALF FLANGE	DEMI FLASQUE	HALBFLANSCH	MEDIA PLETINA
21	D40438900		4	SCREW	VIS	SCHRAUBE	TORNILLO
23	1440329X1	M10	6	LOCKNUT	ECROU FREIN	SICHERUNGSMUTTER	CONTRATUERCA
24	D28450420	19	4	BUSH	BAGUE	RING	CASQUILLO
26	391038X1		9	FLAT WASHER	RONDELLE PLATE	UNTERLEGSCHIEBEN	ARANDELA PLANA
31	D28480830		1	FRAME	BATI	RAHMEN	BASTIDOR
31	D28480816	31	1	FRAME	BATI	RAHMEN	BASTIDOR
32	D28480529	31	2	GASKET	JOINT	FLACHDICHTUNG	JUNTA PLANA
33	D28480531	31	2	GASKET	JOINT	FLACHDICHTUNG	JUNTA PLANA
34	D28480530	31	2	RAIL	RAIL	SCHIENE	RIEL
35	D28480528	31	2	RAIL	RAIL	SCHIENE	RIEL
36	339123X1	31 M8 X 20	22	HEX. SOCK. SCREW	VIS TETE HEX	ZYLINDERSCHRAUBE	TORN.CAB.HUECA
37	D20400506	31	22	WASHER	RONDELLE	SCHEIBE	ARANDELA
38	D44740400	31 ◀ 2 M	X	GASKET	JOINT	FLACHDICHTUNG	JUNTA PLANA
42	D28480764		2	RAKE	PEIGNE	RECHEN	RASTRILLO
43	D28450458		32	PIN	GOUPILLE	STIFT	PASADOR
44	D28482119		4	PIN	GOUPILLE	STIFT	PASADOR
45	D28480270		2	HALF FLANGE	DEMI FLASQUE	HALBFLANSCH	MEDIA PLETINA
46	D28480268		2	BUSH	BAGUE	RING	CASQUILLO
47	339365X1	M10 X 80	8	HEX. SOCK. SCREW	VIS TETE HEX	ZYLINDERSCHRAUBE	TORN.CAB.HUECA
48	D41112500		12	WASHER	RONDELLE	SCHEIBE	ARANDELA
49	D28480338		1	RAKE	PEIGNE	RECHEN	RASTRILLO
50	D28480340		1	RAKE	PEIGNE	RECHEN	RASTRILLO
51	D28450458	49	17	PIN	GOUPILLE	STIFT	PASADOR
51	D28450458	50	17	PIN	GOUPILLE	STIFT	PASADOR
52	D28482119	49	1	PIN	GOUPILLE	STIFT	PASADOR
52	D28482119	50	1	PIN	GOUPILLE	STIFT	PASADOR
53	394367X1	M8	12	NUT	ECROU	MUTTER	TUERCA
54	D28480725		2	TABLE	TABLE	TISCH	MESA
55	339124X1	M8 X 16	4	HEX. SOCK. SCREW	VIS TETE HEX	ZYLINDERSCHRAUBE	TORN.CAB.HUECA
56	D20400506		8	WASHER	RONDELLE	SCHEIBE	ARANDELA
57	339010X1	M8 X 40	2	HEX. SOCK. SCREW	VIS TETE HEX	ZYLINDERSCHRAUBE	TORN.CAB.HUECA
58	394367X1	M8	2	NUT	ECROU	MUTTER	TUERCA
59	D28480929		2	SEAL	JOINT ETANCHEITE	DICHTRING	JUNTA REDONDA
60	D28084225	[B]	2	RAKE	PEIGNE	RECHEN	RASTRILLO
61	D28480734	[B]	32	PIN	GOUPILLE	STIFT	PASADOR
62	D28480735	[B]	4	PIN	GOUPILLE	STIFT	PASADOR
63	D28480886	[A]	2	EXTENSION	RALLONGE	VERLAENGERUNG	ENSANCHE
64	D20400404	[A]	20	WASHER	RONDELLE	SCHEIBE	ARANDELA
65	339124X1	[A]	4	HEX. SOCK. SCREW	VIS TETE HEX	ZYLINDERSCHRAUBE	TORN.CAB.HUECA
		M8 X 16					
66	394367X1	[A] M8	16	NUT	ECROU	MUTTER	TUERCA
67	D41092500		4	NUT	ECROU	MUTTER	TUERCA
68	D20400473		4	WASHER	RONDELLE	SCHEIBE	ARANDELA
69	D28480719	31	1	PLATE	PLAQUE	PLATTE	PLATO

[A] OPTIONAL EQUIPMENT
 EQUIPEMENTS ACCESSOIRES
 SONDERZUBEHOR
 EQUIP. ADITAMENTO

[B] MAIZE EQUIPMENT
 EQUIPEMENT MAIS
 MAISAUSRUESTUNG
 EQUIPO PARA MAIZ



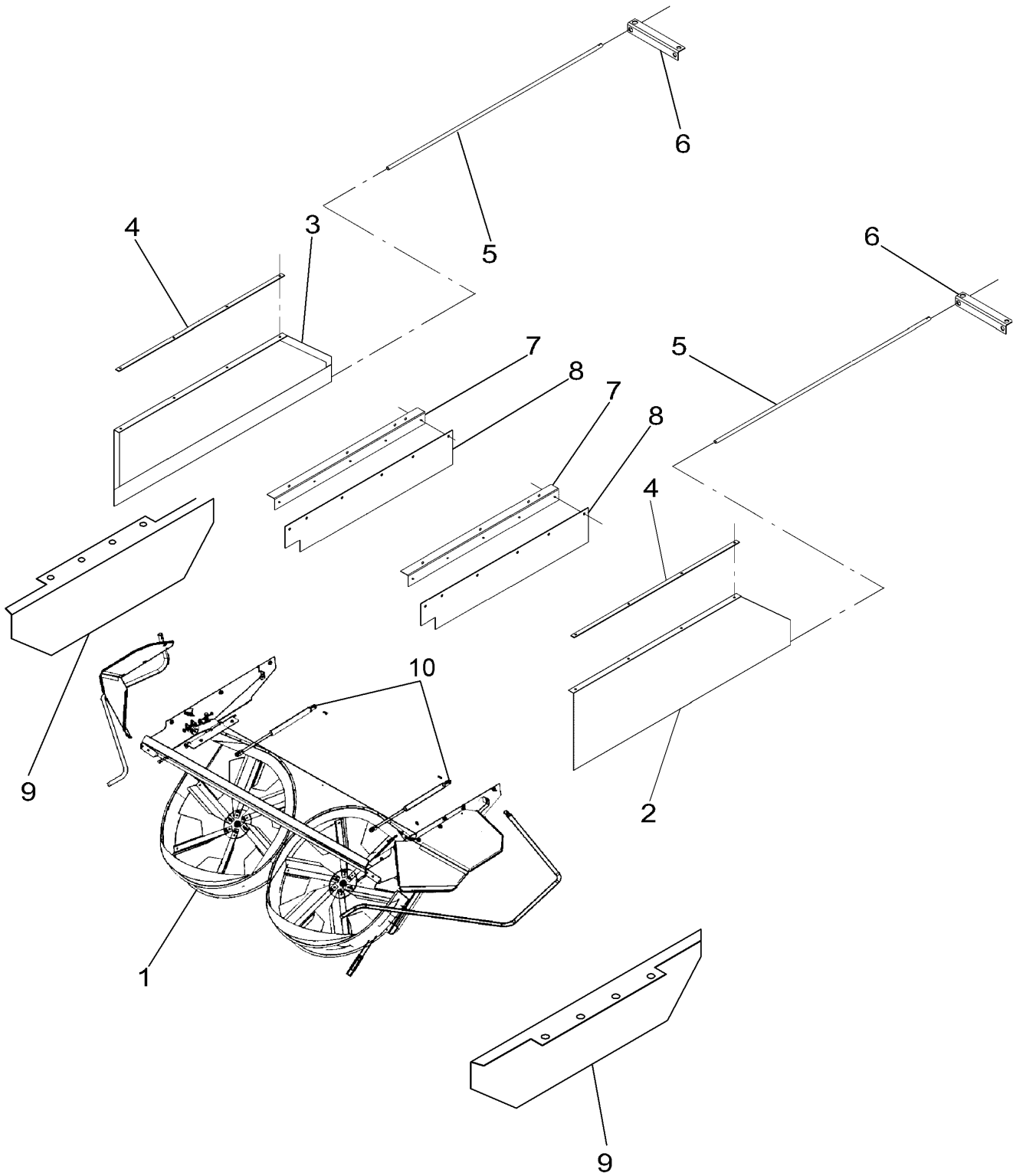
1 D28086796	8SW CPL. ➡ 59115 ➡ 60426	1 SPREADER	EPANDEUR	SPREIZE	ESPARCIDOR
1*D28086532		1 SPREADER	EPANDEUR	SPREIZE	ESPARCIDOR
2 D49080209		3 ADAPTOR	ADAPTATEUR	REDUZIERNIPPEL	ADAPTADOR
3 D49070076		1 CONNECTION	CONNEXION	VERBINDUNG	CONEXION
4 D49080211		1 HOUSING	CARTER	GEHAEUSE	ALOJAMIENTO
5 D44358000		2 HAIR PIN	EPINGLE	SICHERUNGSFEDER	RETENEDOR ELAST
6 D49080213		1 PIPE	TUYAU	TUBE	TUBO
7 D49080215		1 PIPE	TUYAU	TUBE	TUBO
8 D49080216		2 HYDRAULIC MOTOR	MOTEUR HYDRAULIC	HYDRAULIK MOTOR	MOTOR HIDRAULICO
8 D49080227		1 KIT, SEAL	JEU ETANCHEITE	DICHTRINGSATZ	RETENES JUEGO
9 1442190X1	M12	4 LOCKNUT	ECROU FREIN	SICHERUNGSMUTTER	CONTRATUERCA
10 1441462X1	M6	10 LOCKNUT	ECROU FREIN	SICHERUNGSMUTTER	CONTRATUERCA
11 D41102100		14 WASHER	RONDELLE	SCHEIBE	ARANDELA
13 D49080224		2 HUB	MOYEU	NABE	CUBO
14 3009695X1	M12	2 NUT	ECROU	MUTTER	TUERCA
15 D49060088		1 LEVER	LEVIER	HEBEL	PALANCA
17 D49080217		1 UNION	RACCORD	VERSCHRAUBUNG	RACOR
18 D49080218		1 UNION	RACCORD	VERSCHRAUBUNG	RACOR
19 D40412700	M12 X 120	2 BOLT	BOULON	BOLZEN	BULON
20 339560X1	M6 X 16	10 HEX. SOCK. SCREW	VIS TETE HEX	ZYLINDERSCHRAUBE	TORN.CAB.HUECA
21 339124X1	M8 X 16	12 HEX. SOCK. SCREW	VIS TETE HEX	ZYLINDERSCHRAUBE	TORN.CAB.HUECA
22 339123X1	M8 X 20	2 HEX. SOCK. SCREW	VIS TETE HEX	ZYLINDERSCHRAUBE	TORN.CAB.HUECA
23 D49080226		4 SEAL	JOINT ETANCHEITE	DICHTRING	JUNTA REDONDA
24 D49080137		2 SCREW	VIS	SCHRAUBE	TORNILLO
25 D49080142		1 ROTOR	ROTOR	ROTOR	ROTOR
26 D49080144		1 ROTOR	ROTOR	ROTOR	ROTOR
27 D49080225		1 ADAPTOR	ADAPTATEUR	REDUZIERNIPPEL	ADAPTADOR
28 D49080220		1 SHIELD	TOLE	SCHILD	BLINDAJE
29 D20400470		10 WASHER	RONDELLE	SCHEIBE	ARANDELA
30 D20400410		2 WASHER	RONDELLE	SCHEIBE	ARANDELA
31 D49080221		2 ADAPTOR	ADAPTATEUR	REDUZIERNIPPEL	ADAPTADOR
32 D49080222		1 TUBE	TUBE	ROHR	TUBO.
33 D49080223		1 TUBE	TUBE	ROHR	TUBO.
34 D49080146		1 GUIDE	GUIDE	FUEHRUNG	GUIA
35 D49080208		1 ADAPTOR	ADAPTATEUR	REDUZIERNIPPEL	ADAPTADOR



D-ZFAD-004-B

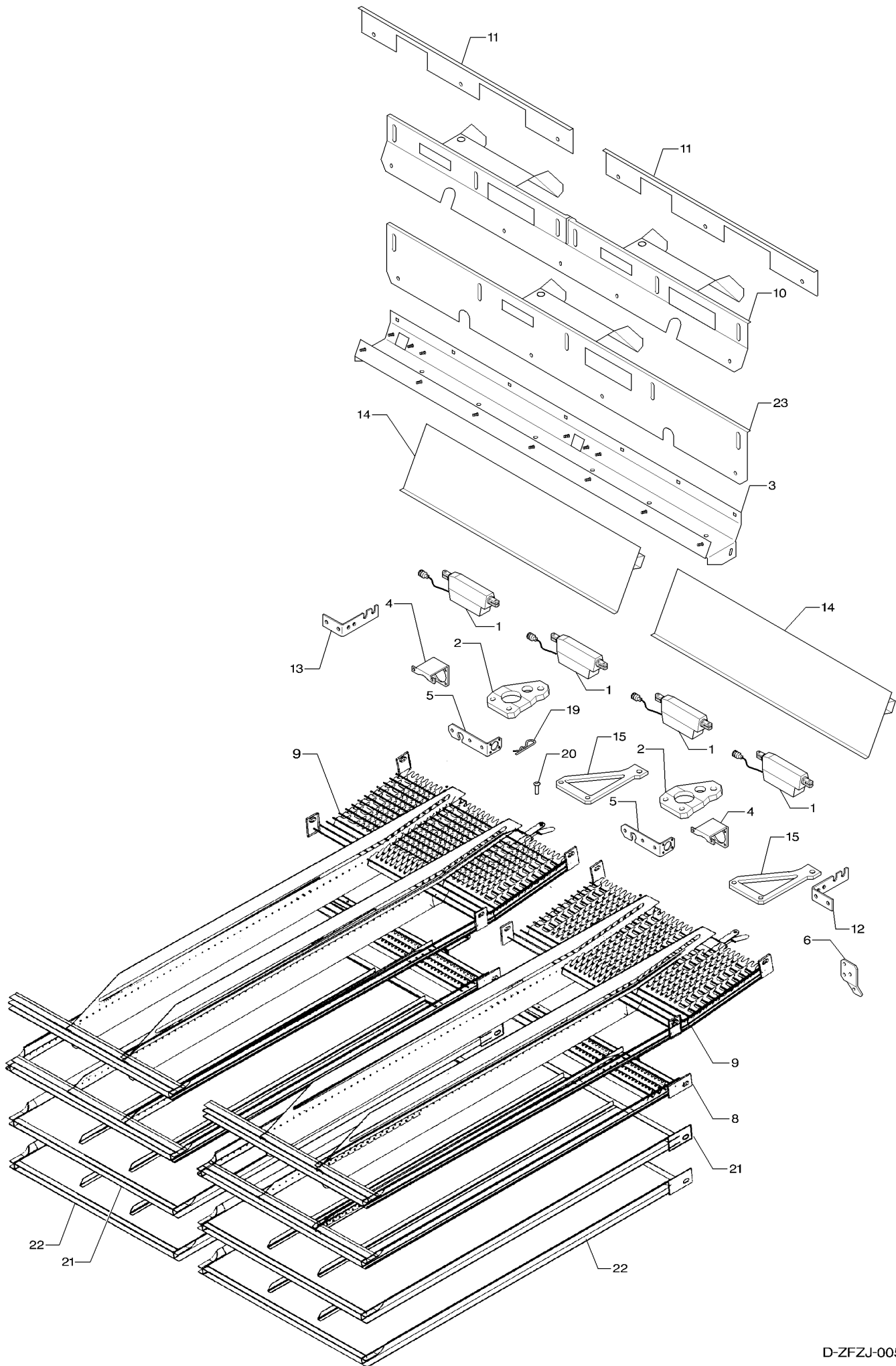
1	D28485397		1	BRACKET	SUPPORT FIXATION	HALTEAM	SOPORTE
2	D28485398		1	BRACKET	SUPPORT FIXATION	HALTEAM	SOPORTE
3	339337X1	M8 X 30	4	HEX. SOCK. SCREW	VIS TETE HEX	ZYLINDERSCHRAUBE	TORN.CAB.HUECA
4	D20400506		4	WASHER	RONDELLE	SCHEIBE	ARANDELA
5	D41102100		4	WASHER	RONDELLE	SCHEIBE	ARANDELA
6	D40412700	M12 X 120	1	BOLT	BOULON	BOLZEN	BULON
7	D45120038		1	HYDRAULIC PUMP	POMPEHYDRAULIQUE	HYDROPUMPE	BOMBA HIDRAULICA
8	D45120032		1	KIT, SEAL	JEU ETANCHEITE	DICHRINGSATZ	RETENES JUEGO
9	339337X1	[A] M8 X 30	4	HEX. SOCK. SCREW	VIS TETE HEX	ZYLINDERSCHRAUBE	TORN.CAB.HUECA
10	394367X1	M8	4	NUT	ECROU	MUTTER	TUERCA
11	D45420100	3/4"	1	SEAL	JOINT ETANCHEITE	DICHRING	JUNTA REDONDA
11	D45420300	1/2"	1	GASKET	JOINT	FLACHDICHTUNG	JUNTA PLANA
12	D45217400		1	NIPPLE	GRAISSEUR COUDE	NIPPEL	NIPLE
13	D45247400		1	NIPPLE	GRAISSEUR COUDE	NIPPEL	NIPLE
14	1442190X1	M12	1	LOCKNUT	ECROU FREIN	SICHERUNGSMUTTER	CONTRATUERCA
15	3009695X1	M12	1	NUT	ECROU	MUTTER	TUERCA
16	D45420300		1	GASKET	JOINT	FLACHDICHTUNG	JUNTA PLANA
17	D45130068	◀▶ 5500 mm	1	HOSE	DURITE	SCHLAUCH	TUBO DE GOMA
18	D45130069	◀▶ 4000 mm	1	HOSE	DURITE	SCHLAUCH	TUBO DE GOMA
19	D45130070	◀▶ 5000 mm	1	HOSE	DURITE	SCHLAUCH	TUBO DE GOMA
20	D45266500		1	FORK	FOURCHETTE	GABEL	HORQUILLA
21	D45273200		1	UNION	RACCORD	VERSCHRAUBUNG	RACOR
22	D45266800		1	FITTING	MONTAGE	ANSCHL.VERSCHRBG	ACCESORIO.
23	D45252700		1	UNION	RACCORD	VERSCHRAUBUNG	RACOR
24	D45713700		2	GASKET	JOINT	FLACHDICHTUNG	JUNTA PLANA
25	D45135000		1	UNION	RACCORD	VERSCHRAUBUNG	RACOR
26	D45134900		1	UNION	RACCORD	VERSCHRAUBUNG	RACOR
27	D28485390		1	PULLEY	POULIE	RIEMENSCHLEIFE	POLEA
28	339123X1	M8 X 20	1	HEX. SOCK. SCREW	VIS TETE HEX	ZYLINDERSCHRAUBE	TORN.CAB.HUECA
29	D41102100		1	WASHER	RONDELLE	SCHEIBE	ARANDELA
30	D20400408		1	WASHER	RONDELLE	SCHEIBE	ARANDELA
31	D28485388		1	PULLEY	POULIE	RIEMENSCHLEIFE	POLEA
32	339368X1	M8 X 60	4	HEX. SOCK. SCREW	VIS TETE HEX	ZYLINDERSCHRAUBE	TORN.CAB.HUECA
33	D41102100		4	WASHER	RONDELLE	SCHEIBE	ARANDELA
34	D41921500		1	V BELT	COURROIE TRAPEZ	KEILRIEMEN	CORREA EN V
35	D20400426		3	WASHER	RONDELLE	SCHEIBE	ARANDELA
36	D45266300		1	UNION	RACCORD	VERSCHRAUBUNG	RACOR
37	D43102400		1	KEY	CLAVETTE	STELLKEIL	CHAVETA
38	D45266300		1	UNION	RACCORD	VERSCHRAUBUNG	RACOR
39	D45120039		1	RING	ANNEAU	RING.	ANILLO
40	D45265200		1	UNION	RACCORD	VERSCHRAUBUNG	RACOR

[A] NOT ILLUSTRATED
 NON ILLUSTRÉ
 NICHT ILLUSTRIRT
 NO ILUSTRADO



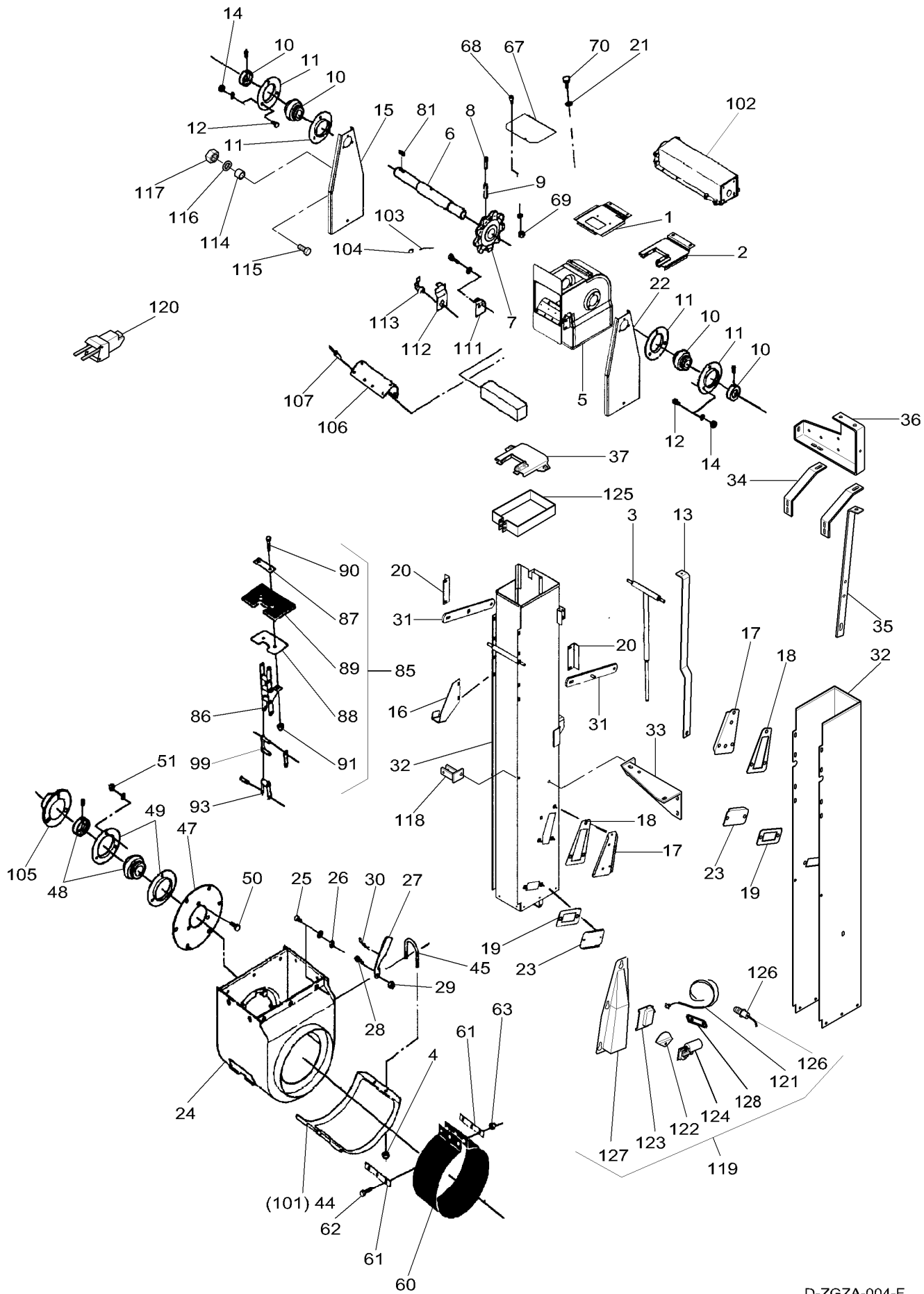
D-ZFAE-003-B

1*D28086796	⇒ 59115	1 SPREADER	EPANDEUR	SPREIZE	ESPARCIDOR
1*D28086532	⇒ 60426	1 SPREADER	EPANDEUR	SPREIZE	ESPARCIDOR
2 D28185783		1 PANEL	PANNEAU	WANDPLATTE	PANEL
3 D28185784		1 PANEL	PANNEAU	WANDPLATTE	PANEL
4 D28185975		2 ROD	TRINGLE	STANGE	VARILLA
5 D28185976		2 TUBE	TUBE	ROHR	TUBO.
6 D28185785		2 SUPPORT	SUPPORT	TRAGER	SOPORTE
7		NOT USED	NON UTILISE	NICHT VERWENDET	NO SE USA
8 D28186020		2 SIDE	COTE	SEITEN	LATERAL
8		NOT USED	NON UTILISE	NICHT VERWENDET	NO SE USA
9 D28186666		2 SIDE	COTE	SEITEN	LATERAL
10*D49080148		2 CYLINDER	CYLINDRE	ZYLINDER	CILINDRO



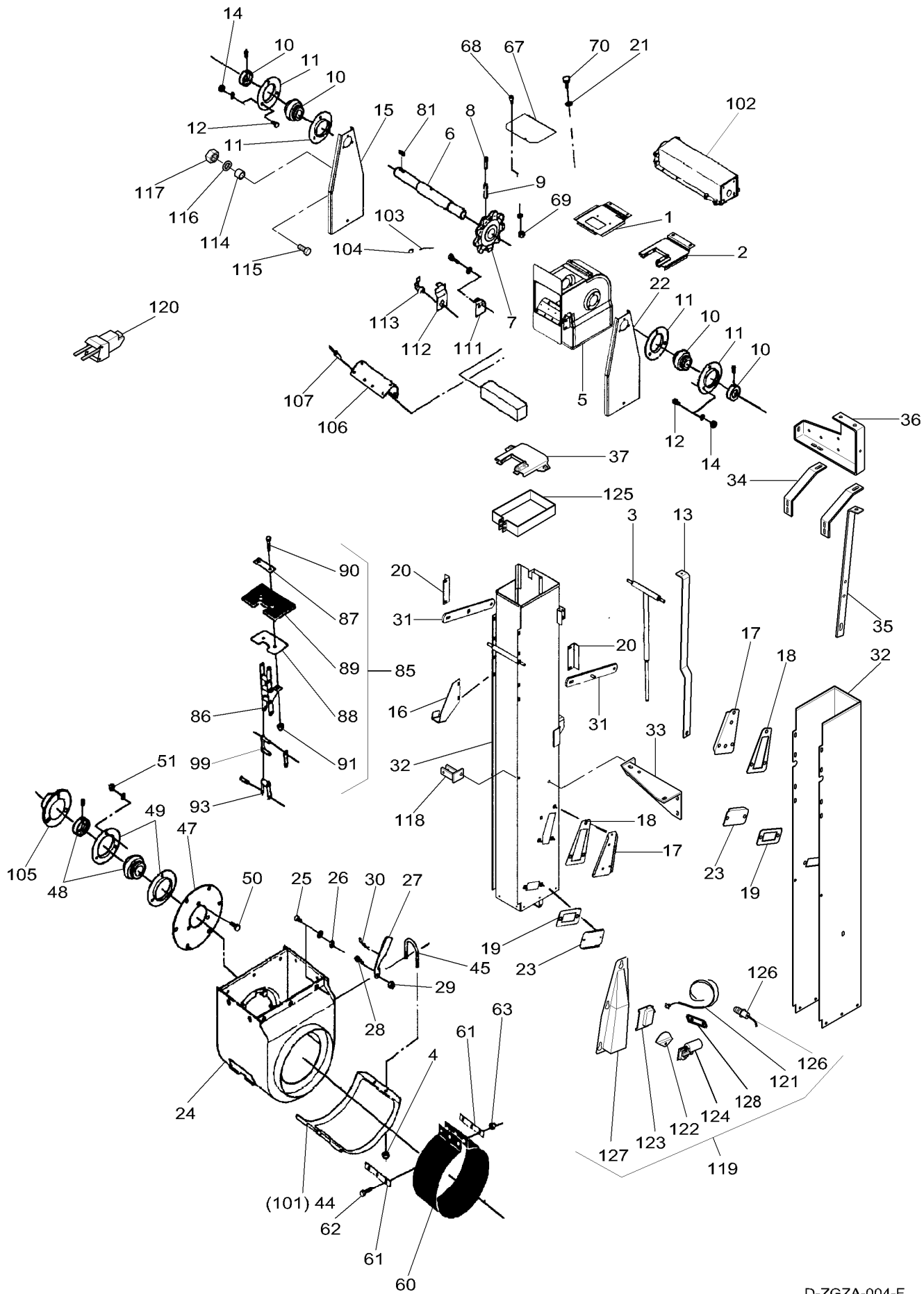
D-ZFZJ-005-C

1	D28482313		4	ACTUATOR	DECLENCHEUR	AKTOR	ACTUADOR
2	D28482314		2	BRACKET	SUPPORT FIXATION	HALTEARM	SOPORTE
3	D28482330		1	SUPPORT	SUPPORT	TRAGER	SOPORTE
4	D28482343		2	STOP	BUTEE	ANSCHLAG	PARO
5	D28482347		2	STOP	BUTEE	ANSCHLAG	PARO
6	D28482348		1	CONSOLE	CONSOLE	KONSOLE	CONSOLA
8	D28482374		2	SIEVE	TRIEUR	SIEB	ZARANDA
9	D28482378		2	SIEVE	TRIEUR	SIEB	ZARANDA
10	D28482387		1	RAKE	PEIGNE	RECHEN	RASTRILLO
11	D28482391		2	PLATE	PLAQUE	PLATTE	PLATO
12	D28482396		1	SUPPORT	SUPPORT	TRAGER	SOPORTE
13	D28482397		1	SUPPORT	SUPPORT	TRAGER	SOPORTE
14	D28482399		2	PROFILE	PROFIL	PROFIL	PERFIL
15	D28482400		2	BRACKET	SUPPORT FIXATION	HALTEARM	SOPORTE
19	D44358000		8	HAIR PIN	EPINGLE	SICHERUNGSFEDER	RETENEDOR ELAST
20	D45905500		8	BOLT	BOULON	BOLZEN	BULON
21	D28482381	∅ 2,50 mm	2	GRILLE	GRILLE	GRILL	REJILLA
22	D28482382	∅ 5,00 mm	2	GRILLE	GRILLE	GRILL	REJILLA
23	D28482393		1	PLATE	PLAQUE	PLATTE	PLATO



D-ZGZA-004-F

1	D28585144	[A]	1	COVER	COUVERCLE	ABDECKUNG.	CUBIERTA
2	D28580478	[B]	1	COVER	COUVERCLE	ABDECKUNG.	CUBIERTA
3	D28585125		1	ROD	TRINGLE	STANGE	VARILLA
4	1441462X1	M6	X	LOCKNUT	ECROU FREIN	SICHERUNGSMUTTER	CONTRATUERCA
5	D28585300		1	HEAD	TETE	KOPF	CULATA
6	D28585022		1	SHAFT	ARBRE	WELLE	ARBOL
7	D28580448		1	SPROCKET	BARBOTIN	KETTENRAD	RUEDA DE CADENA
8	395557X1	⊙ 5 X 50	1	SPIROL PIN	GOUPILLE SPIRALE	SPIRALSTIFT	PASADOR ESPIRAL
9	339307X1	⊙ 8 X 50	1	PIN	GOUPILLE	STIFT	PASADOR
10	412260M1		2	BALL BEARING	ROULEMENT BILLES	KUGELLAGER	COJINETE DE BOLA
11	D41708700		4	FLANGE	FLASQUE	FLANSCH	PLETINA
12	339124X1	M8 X 16	6	HEX. SOCK. SCREW	VIS TETE HEX	ZYLINDERSCHRAUBE	TORN.CAB.HUECA
13	D28585331		1	STAY	HAUBAN	STREBE	TIRANTE
14	339169X1	M8	6	NUT	ECROU	MUTTER	TUERCA
15	D28585139		1	BACKET	SUPPORT FIXATION	HALTEAM	SOPORTE
16	D28585142		1	PLATE	PLAQUE	PLATTE	PLATO
17	D28585128		1	PLATE	PLAQUE	PLATTE	PLATO
18	D28585138		1	SEAL	JOINT ETANCHEITE	DICHTRING	JUNTA REDONDA
19	D28585140		1	SEAL	JOINT ETANCHEITE	DICHTRING	JUNTA REDONDA
20	D28585122		2	GUIDE	GUIDE	FUEHRUNG	GUIA
21	D20400506		X	WASHER	RONDELLE	SCHEIBE	ARANDELA
22	D28585124		1	BRACKET	SUPPORT FIXATION	HALTEAM	SOPORTE
23	D28585133		1	PLATE	PLAQUE	PLATTE	PLATO
24	D28585296		1	BOTTOM	FOND	BODEN	FONDO
25	1441267X1	M6 X 16	12	SCREW	VIS	SCHRAUBE	TORNILLO
26	1441462X1	M6	12	LOCKNUT	ECROU FREIN	SICHERUNGSMUTTER	CONTRATUERCA
27	D28560162		1	LEVER	LEVIER	HEBEL	PALANCA
28	339804X1	M6 X 25	1	HEX. SOCK. SCREW	VIS TETE HEX	ZYLINDERSCHRAUBE	TORN.CAB.HUECA
29	1441462X1	M6	1	LOCKNUT	ECROU FREIN	SICHERUNGSMUTTER	CONTRATUERCA
30	D27100120		1	HAIR PIN	EPINGLE	SICHERUNGSFEDER	RETENEDOR ELAST
31	D28585132		2	ARM	BRAS	SCHARHEBEL	BRAZO
32	D28585329		1	HOUSING	CARTER	GEHAEUSE	ALOJAMIENTO
33	D28580118		1	BRACKET	SUPPORT FIXATION	HALTEAM	SOPORTE
34	D28580250		2	BRACKET	SUPPORT FIXATION	HALTEAM	SOPORTE
35	D28582012		1	STAY	HAUBAN	STREBE	TIRANTE
36	D28181404		1	BRACKET	SUPPORT FIXATION	HALTEAM	SOPORTE
37	D28580401		1	COVER	COUVERCLE	ABDECKUNG.	CUBIERTA
44	D28585295		1	BOTTOM	FOND	BODEN	FONDO
45	D28560165		1	U BOLT	ETRIER FILETE	BUEGELSCHRAUBE	BRIDA EN U
47	D28580245		1	BEARING PLATE	PLAQUE ROULEMENT	LAGERPLATTE	PLACA DE APOYO
48	D41708600		1	BALL BEARING	ROULEMENT BILLES	KUGELLAGER	COJINETE DE BOLA
49	D41708800		2	BEARING FLANGE	FLASQUE ROULT	LAGERFLANSCH	BEARING FLANGE
50	D40407000		3	SCREW	VIS	SCHRAUBE	TORNILLO
51	339402X1	M10	3	NUT SPECIAL	ECROU SPECIAL	SPEZIALMUTTER	TUERCA ESPECIAL
60	D28480219		1	PLATE	PLAQUE	PLATTE	PLATO
61	D28550247		2	PLATE	PLAQUE	PLATTE	PLATO
62	339666X1	M6 X 20	3	HEX. SOCK. SCREW	VIS TETE HEX	ZYLINDERSCHRAUBE	TORN.CAB.HUECA
63	1441462X1	M6	3	LOCKNUT	ECROU FREIN	SICHERUNGSMUTTER	CONTRATUERCA
67	D28580406		1	COVER	COUVERCLE	ABDECKUNG.	CUBIERTA
68	D40688000		4	SCREW	VIS	SCHRAUBE	TORNILLO
69	1441462X1	M61	4	LOCKNUT	ECROU FREIN	SICHERUNGSMUTTER	CONTRATUERCA
70	339011X1	M8 X 45	2	HEX. SOCK. SCREW	VIS TETE HEX	ZYLINDERSCHRAUBE	TORN.CAB.HUECA
81	D43103200		1	KEY	CLAVETTE	STELLKEIL	CHAVETA
85	D28585175		1	CHAIN	CHAINE	KETTE	CADENA
86	D42350300		1	CHAIN	CHAINE	KETTE	CADENA
87	D28550323		30	PLATE	PLAQUE	PLATTE	PLATO
88	D28585026		30	PLATE	PLAQUE	PLATTE	PLATO
89	D28585021		30	RUBBER PIECE	PIECE EN CAOUTCH	GUMMISTUECK	PIEZA DE CAUCHO
90	339337X1	M8 X 30	60	HEX. SOCK. SCREW	VIS TETE HEX	ZYLINDERSCHRAUBE	TORN.CAB.HUECA
91	394367X1	M8	60	NUT	ECROU	MUTTER	TUERCA
93	D42350900		1	LINK	MAILLON	GLIED	ESLABON
99	D42350800		1	CONNECTING LINK	BARRE CONNEXION	VERSCHLUSSGLIED	MALLA UNION
101	D28585344	[C]	1	LID	PLAQUE COUVERCLE	ABDECKPLATTE	COBERTURA
102	D28780630	CPL.	1	SENSOR	DETECTEUR	SENSOR	DETECTOR
103	D01906800		X	WIRE	FIL	DRAHT	HILO
104	D43407400		1	SEAL	JOINT ETANCHEITE	DICHTRING	JUNTA REDONDA
105	D28761667		1	COVER	COUVERCLE	ABDECKUNG.	CUBIERTA
106	D28585070		1	COVER	COUVERCLE	ABDECKUNG.	CUBIERTA
107	D41399800		8	RIVET	RIVET	NIET	REMACHE
111	D28580334	112	1	HINGE	CHARNIERE	SCHARNIER	CHARNELA
112	D28580336		1	LOCK	SERRURE	SCHLOSS	CERRADURA
113	D43423000	112	1	LOCK	SERRURE	SCHLOSS	CERRADURA
114	D28550012		1	SUPPORT	SUPPORT	TRAGER	SOPORTE
115	D40064300		1	SCREW	VIS	SCHRAUBE	TORNILLO
116	D20400414		1	WASHER	RONDELLE	SCHEIBE	ARANDELA
117	394367X1	M8	1	NUT	ECROU	MUTTER	TUERCA
118	D28785679		1	CONSOLE	CONSOLE	KONSOLE	CONSOLA
119	D44900691		1	MOISTURE METER	DOSEUR HUMIDITE	FEUCHTEMESSE	MEDIDOR HUMEDAD
120	D28080944		1	KIT	JEU	SATZ	JUEGO
120	D28782797		1	SENSOR	DETECTEUR	SENSOR	DETECTOR
120	D44900896		2	FINGER	DOIGT	FINGER	DEDO
121	D44900867	119	1	WIRING HARNESS	SYSTEME CABLAGE	KABELSTRANG	SISTEMA DE CABLE



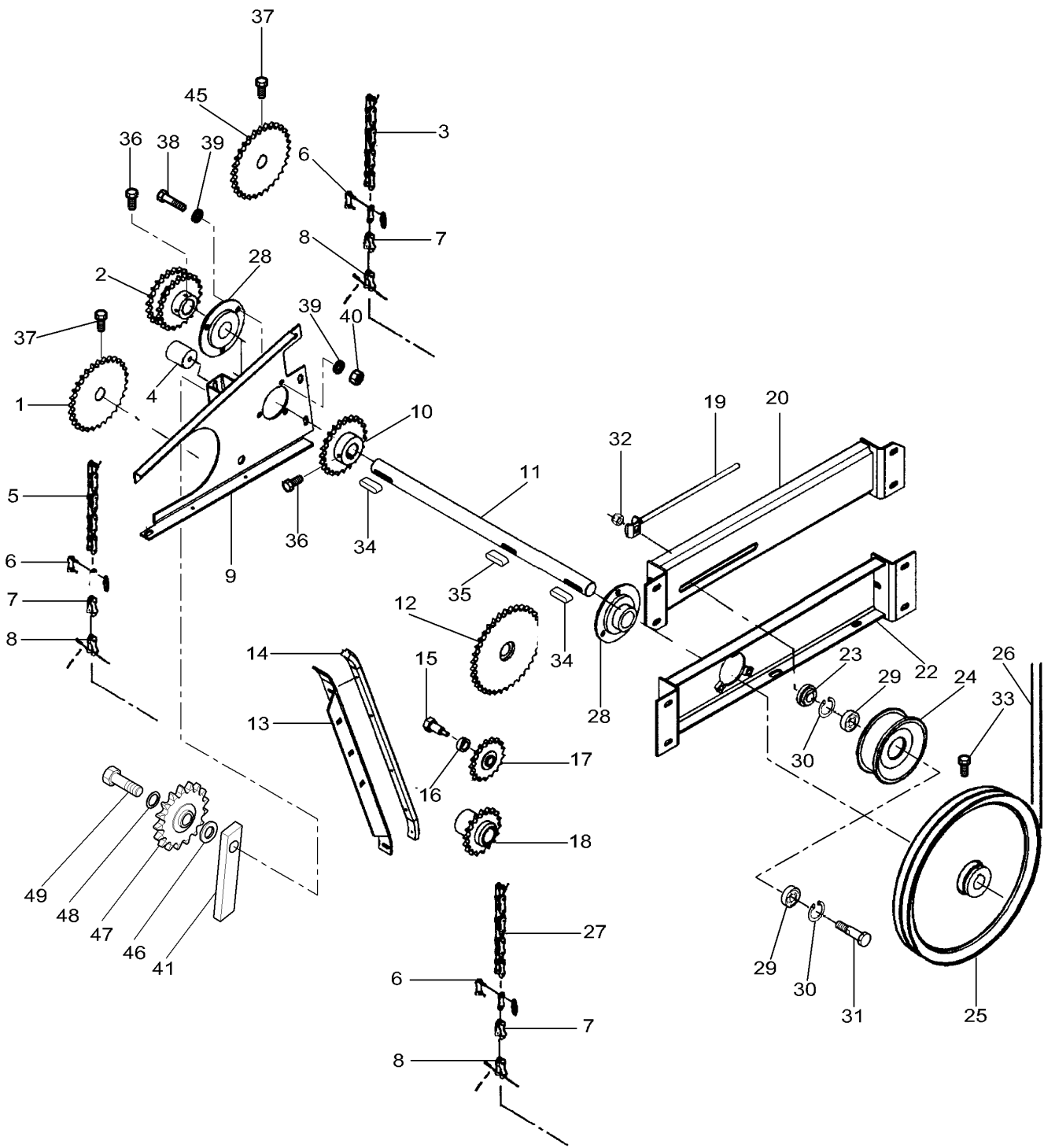
D-ZGZA-004-F

122*	D46150301	119	1	PLATE	PLAQUE	PLATTE	PLATO
123	D44900859	119	1	CONTROL BOX	BOITE COMMANDE	SPANNUNGSREGLER	CAJA DE CONTROL
124	D44900857	119	1	WIPER MOTOR	MOTEUR ESSUIE GL	WISCHERMOTOR	MOTOR L PARABRIS
125	D44709601		1	FOAM	MOUSSE	SCHAUMSTOFF	ESPUMA
126	D28781726	119	1	INDICATOR	INDICATEUR	ANZEIGER	INDICADOR
127	D44900858	119	1	HOUSING	CARTER	GEHAEUSE	ALOJAMIENTO
128*	D46150301	122	1	PLATE	PLAQUE	PLATTE	PLATO

[A] YIELDMETER
 INDICATEUR DE RENDEMENT
 ERTRAGSMESSGERAET
 INDICADOR DE RENDAMIENTO

[B] MICROTRAC
 MICROTRAC
 MICROTRAC
 MICROTRAC

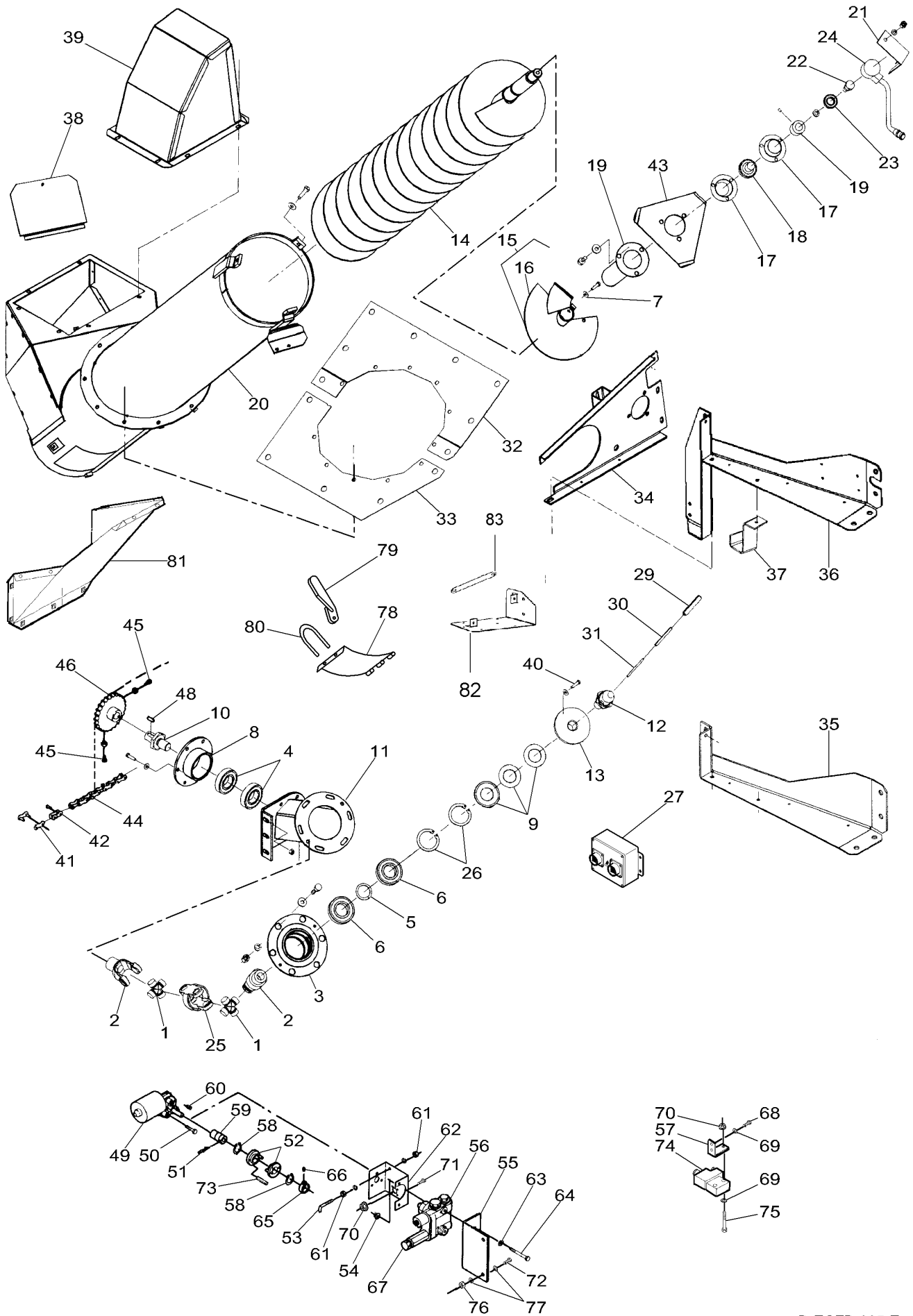
[C] OPTIONAL EQUIPMENT FOR PEAS
 EQUIPEMENT ACCESSOIRES POUR POIS SECS
 SONDERZUBEHOR FUER ERBSEN
 EQUIPO ACCESORIO PARA GUI SANTES SECOS



D-ZGZE-001-B

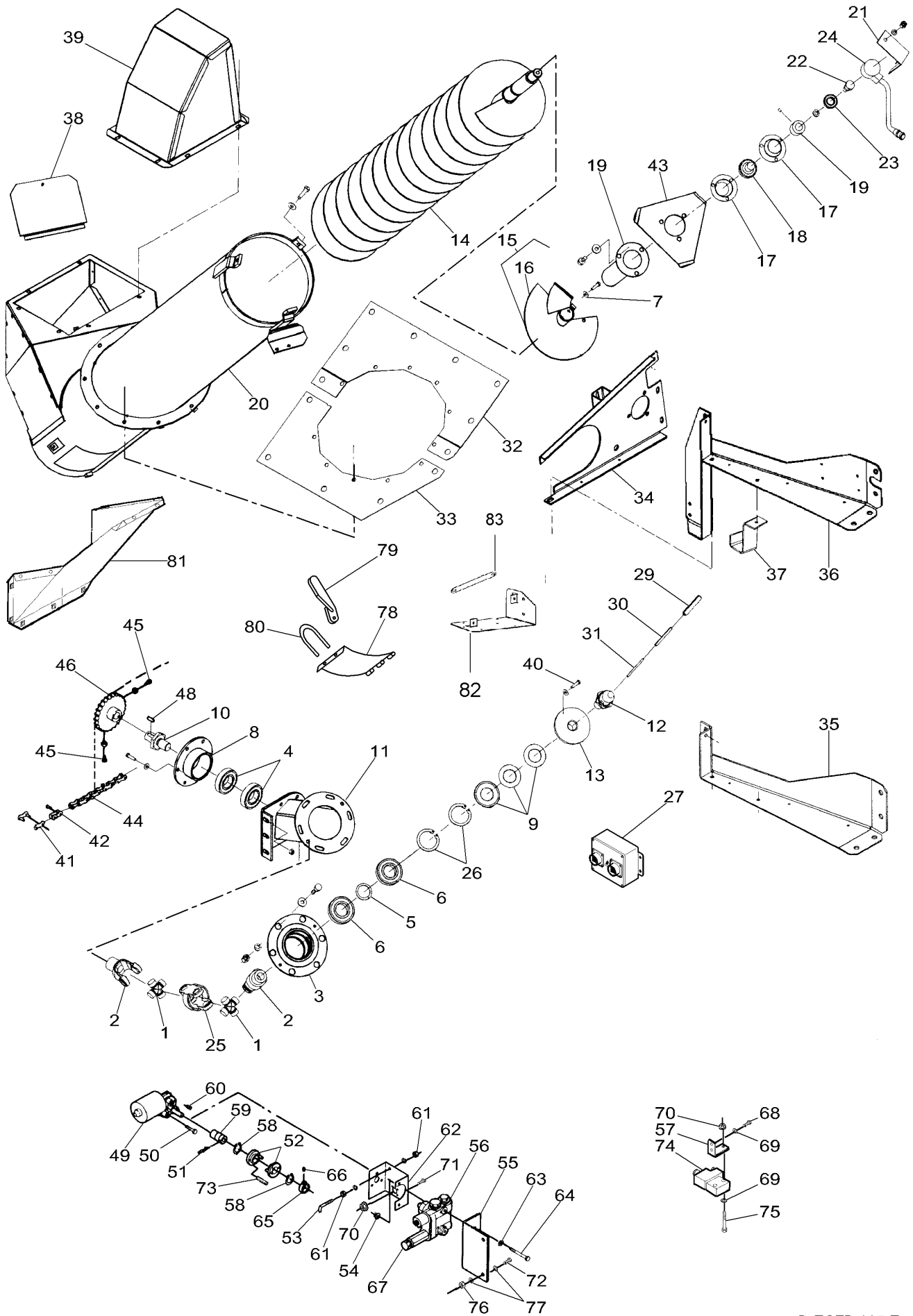
1	D28585107		1	SPROCKET	BARBOTIN	KETTENRAD	RUEDA DE CADENA
2	D28585106		1	SPROCKET	BARBOTIN	KETTENRAD	RUEDA DE CADENA
3	D42325100		1	CHAIN	CHAINE	KETTE	CADENA
4				NOT USED	NON UTILISE	NICHT VERWENDET	NO SE USA
5	D42326200		1	CHAIN	CHAINE	KETTE	CADENA
6	D42363100		1	LINK	MAILLON	GLIED	ESLABON
7	D42362400		1	INNER LINK	BARRE INTERNE	MITTELSTANGE	UNION INTERIOR
8	D42364200		1	INNER LINK	BARRE INTERNE	MITTELSTANGE	UNION INTERIOR
9	D28585109		1	BRACKET	SUPPORT FIXATION	HALTEAM	SOPORTE
10	D28585103		1	SPROCKET	BARBOTIN	KETTENRAD	RUEDA DE CADENA
11	D28585339		1	SHAFT	ARBRE	WELLE	ARBOL
12	D28585340		1	SPROCKET	BARBOTIN	KETTENRAD	RUEDA DE CADENA
13	D28281365	[A]	1	CROSSMEMBER	POUTRE TRANSVERS	QUERSTREBE	TRAVESANO
14	D28280787	[A]	1	RAIL	RAIL	SCHIENE	RIEL
15	D28585135	[A]	1	BOLT	BOULON	BOLZEN	BULON
16	D28585076	[A]	1	WASHER	RONDELLE	SCHEIBE	ARANDELA
17	D41717900	[A]	1	SPROCKET	BARBOTIN	KETTENRAD	RUEDA DE CADENA
18	D28585104	[A]	1	SPROCKET	BARBOTIN	KETTENRAD	RUEDA DE CADENA
19	D28580206		1	TIGHTENER	TENSEUR	SPANNROLLE	TENSADOR
20	D28585112		1	BRACKET	SUPPORT FIXATION	HALTEAM	SOPORTE
22	D28585100		1	BRACKET	SUPPORT FIXATION	HALTEAM	SOPORTE
23	D28880354		1	SPACER	ENTRETOISE	ABSTANDSTUECK	DISCO ESPACIADOR
24	D28585113		1	ROLLER	GALET	ROLLE	RODILLO
25	D28585102		1	PULLEY	POULIE	RIEMENSCHLEIBE	POLEA
26	D41929000		2	V BELT	COURROIE TRAPEZ	KEILRIEMEN	CORREA EN V
27	D42328100		1	CHAIN	CHAINE	KETTE	CADENA
28	D41709600		1	BEARING	COUSSINET	LAGER	COJINETE
29*	339599X1		2	BEAR. 6204 2RS	RLT 6204 2RS	LAGER 6204 2RS	RODA. 6204 2RS
30	339199X1		2	CIRCLIP	CIRCLIP	SEEGERING	GRAPA CIRCULAR
31	D28580205		1	BOLT	BOULON	BOLZEN	BULON
32	1442739X1	M16	1	LOCKNUT	ECROU FREIN	SICHERUNGSMUTTER	CONTRATUERCA
33	D40466700	M10 X 25	2	HEX. SOCK. SCREW	VIS TETE HEX	ZYLINDERSCHRAUBE	TORN.CAB.HUECA
34	D43103700		2	KEY	CLAVETTE	STELLKEIL	CHAVETA
35	1440375X1		1	KEY PARALLEL	CLAVETTE PARALEL	PASSFEDER	CHAVETA PLANA
36	D40466900		4	SCREW	VIS	SCHRAUBE	TORNILLO
37	D40697100		4	SCREW	VIS	SCHRAUBE	TORNILLO
38	3009493X1	M10 X 30	3	HEX. SOCK. SCREW	VIS TETE HEX	ZYLINDERSCHRAUBE	TORN.CAB.HUECA
39	390734X1		9	FLAT WASHER	RONDELLE PLATE	UNTERLEGSCHLEIBEN	ARANDELA PLANA
40	339402X1	M10	3	NUT SPECIAL	ECROU SPECIAL	SPEZIALMUTTER	TUERCA ESPECIAL
41	D28585181		2	BRIDLE	BRIDE	LASCHENSCHANNBAND	BRIDA
45	D28585107	FOR MAIZE	1	SPROCKET	BARBOTIN	KETTENRAD	RUEDA DE CADENA
45	D28281338	STANDARD	1	SPROCKET	BARBOTIN	KETTENRAD	RUEDA DE CADENA
46	D20400459		1	WASHER	RONDELLE	SCHEIBE	ARANDELA
47	D41717900		1	SPROCKET	BARBOTIN	KETTENRAD	RUEDA DE CADENA
48	D20400462		1	WASHER	RONDELLE	SCHEIBE	ARANDELA
49	391120X1	M16 X 45	1	HEX. SOCK. SCREW	VIS TETE HEX	ZYLINDERSCHRAUBE	TORN.CAB.HUECA

IAI RETURN ELEVATOR
 ELEVATEUR A OTONS
 UEBERKEHRELEVATOR
 ELEVADOR DE RETORNO



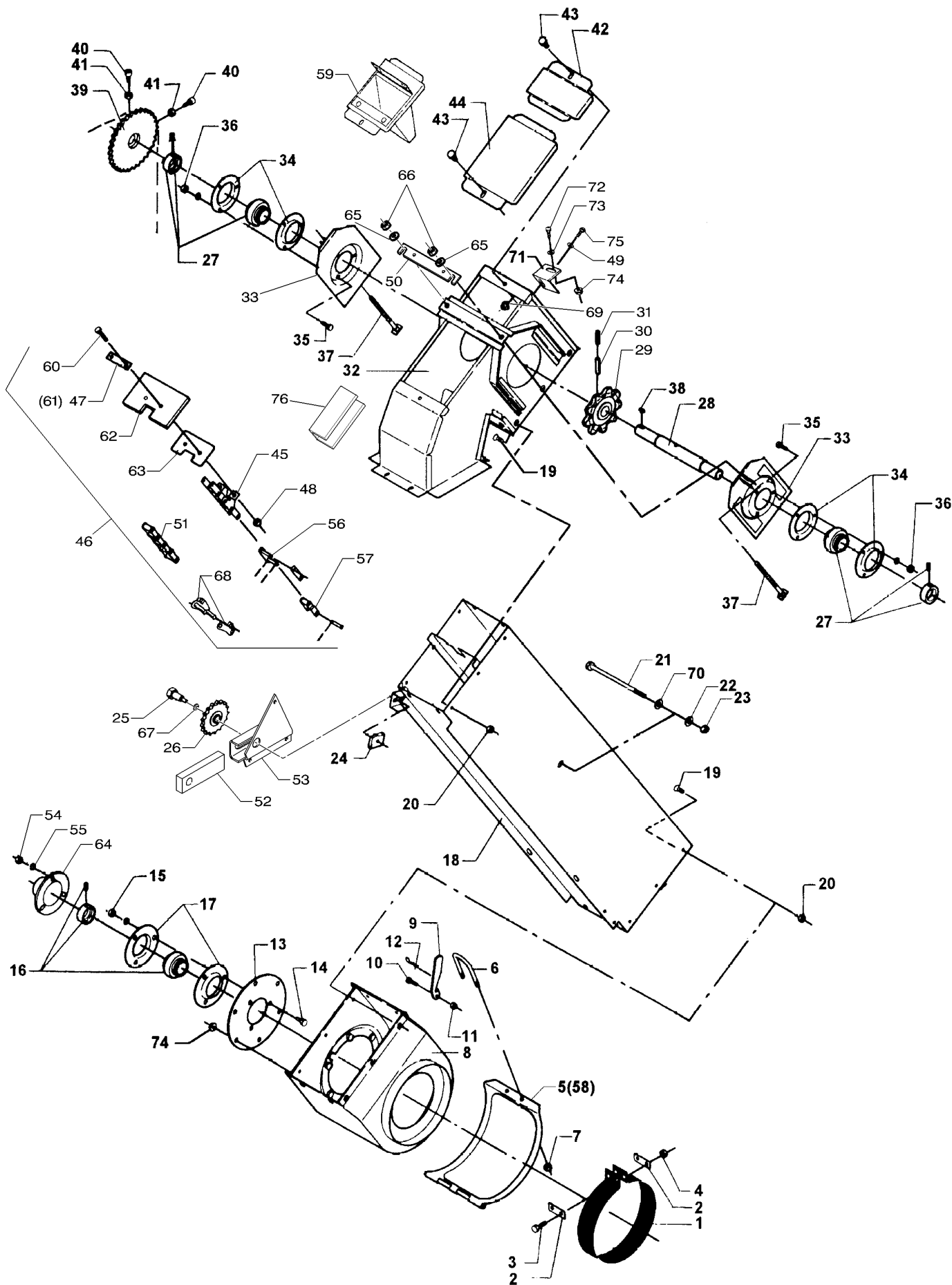
D-ZGZB-005-E

1	D45623000		2	SPIDER	CROISILLON	KREUZSTUECK	CRUCETA
2	D28580057		2	FORK	FOURCHETTE	GABEL	HORQUILLA
3	D28580413		1	BEARING HOUSING	CARTER ROULEMENT	LAGERGEHAEUSE	CAJA COJINETE
4	SKF62072RS		1	BEAR. 6207 2RS	RLT 6207 2RS	LAGER 6207 2RS	RODA. 6207 2RS
5	D27700245		1	SPACER	ENTRETOISE	ABSTANDSTUECK	DISCO ESPACIADOR
6	D41624100		2	BEARING ASSY	ROULEMENT	RADIALLAGER	RODAMIENTO RAD
7	339123X1	M8 X 20	1	HEX. SOCK. SCREW	VIS TETE HEX	ZYLINDERSCHRAUBE	TORN.CAB.HUECA
8	D28580027		1	BEARING ASSY	ROULEMENT	RADIALLAGER	RODAMIENTO RAD
9	D41679900		1	SEAL	JOINT ETANCHEITE	DICHTRING	JUNTA REDONDA
10	D28580060		1	STUD	GOUJON	STEBHOLZEN	ESPARRAGO ROSCA.
11	D28585030		1	ADAPTOR	ADAPTATEUR	REDUZIERNIPPEL	ADAPTADOR
12	D28580251		1	PIN	GOUPILLE	STIFT	PASADOR
13	D28580414		1	WASHER	RONDELLE	SCHEIBE	ARANDELA
14	D28585033		1	AUGER	VIS SANS FIN	FOERDERSCHNECKE	SINFIN
14	D28585185	[A]	1	AUGER	VIS SANS FIN	FOERDERSCHNECKE	SINFIN
15	D28585035		1	SECTION	SECTION	ABSCHNITT	SECCION
15	D28585184	MAIZE/RICE	1	SECTION	SECTION	ABSCHNITT	SECCION
16	D28585036	15 [B]	1	FLIGHT	BARETTE	LATTE	COSTILLA
17	D41708700		2	FLANGE	FLASQUE	FLANSCH	PLETINA
18	412260M1		1	BALL BEARING	ROULEMENT BILLES	KUGELLAGER	COJINETE DE BOLA
19	D28850886		1	GUARD	GARDE	SCHUTZVORR	DEFENSA
20	D28885637		1	FILLER	REMP LISSEUR	EINFUELLSTUTZEN	RELLENADOR
21	D28780522		1	SUPPORT	SUPPORT	TRAGER	SOPORTE
22	D28780516		1	INDUCTIVE SENSOR	CAPTEUR INDUCTIF	INDUKT EMPFANGER	CAPTADOR INDUCTI
23	1440487X1		1	BEAR. 6203 2RS	RLT 6203 2RS	LAGER 6203 2RS	RODA. 6203 2RS
24	D28780514		1	SENSOR	DETECTEUR	SENSOR	DETECTOR
25	D45626500		1	FORK	FOURCHETTE	GABEL	HORQUILLA
26	D42515100		2	CIRCLIP	CIRCLIP	SEEGERING	GRAPA CIRCULAR
27	D28782504		1	CASE ASSY	BOITIER	GEHAEUSE KPL	CAJA COMPLETA
29	D42625600		1	PIN	GOUPILLE	STIFT	PASADOR
30	390949X1	∅ 8 X 70	1	PIN	GOUPILLE	STIFT	PASADOR
31	390950X1	∅ 5 X 70	1	PIN	GOUPILLE	STIFT	PASADOR
32	D28585054		1	PLATE	PLAQUE	PLATTE	PLATO
33	D28585053		1	PLATE	PLAQUE	PLATTE	PLATO
34	D28585109		1	BRACKET	SUPPORT FIXATION	HALTEAM	SOPORTE
35				NOT USED	NON UTILISE	NICHT VERWENDET	NO SE USA
36	D28188492		1	BRACKET	SUPPORT FIXATION	HALTEAM	SOPORTE
37	D28785681		1	HOLDER	PIECE SUPPORT	HALTER	SUJETADOR
38	D28580258		1	TRAP	TRAPPE	FANGKLAPPE	PURGADOR
39	D28585046		1	INLET	ADMISSION	ANSAUG	ADMISION
40	339230X1	M6 X 10	1	HEX. SOCK. SCREW	VIS TETE HEX	ZYLINDERSCHRAUBE	TORN.CAB.HUECA
41	D42362400		1	INNER LINK	BARRE INTERNE	MITTELSTANGE	UNION INTERIOR
42	D42363100		X	LINK	MAILLON	GLIED	ESLABON
42	D42363200		X	LINK	MAILLON	GLIED	ESLABON
43	D28580301		1	BEARING PLATE	PLAQUE ROULEMENT	LAGERPLATTE	PLACA DE APOYO
44	D42362600		X	CHAIN	CHAINE	KETTE	CADENA
45	D40697100		X	SCREW	VIS	SCHRAUBE	TORNILLO
46	D28585107		X	SPROCKET	BARBOTIN	KETTENRAD	RUEDA DE CADENA
48	D43103700		X	KEY	CLAVETTE	STELLKEIL	CHAVETA
49	D28080790		1	WIPER MOTOR	MOTEUR ESSUIE GL	WISCHERMOTOR	MOTOR L PARABRIS
50	D28782149		3	BOLT	BOULON	BOLZEN	BULON
51	390538X1	∅ 5 X 24	1	PIN	GOUPILLE	STIFT	PASADOR
52	D28780802		2	WASHER	RONDELLE	SCHEIBE	ARANDELA
53	D28780801		1	SCREW	VIS	SCHRAUBE	TORNILLO
54	394367X1	M8	1	NUT	ECROU	MUTTER	TUERCA
55	D28980999		1	SUPPORT	SUPPORT	TRAGER	SOPORTE
56*	D45110069	84	1	PRESSURE VALVE	VALVE	DRUCKVENTIL	VALVULA PRESION
57	D28780959		1	HOLDER	PIECE SUPPORT	HALTER	SUJETADOR
58	1440476X1		2	CIRCLIP	CIRCLIP	SEEGERING	GRAPA CIRCULAR
59	D28981003		1	UNION	RACCORD	VERSCHRAUBUNG	RACOR
60	D43170300		1	KEY	CLAVETTE	STELLKEIL	CHAVETA
61	D41010600	M6	2	NUT	ECROU	MUTTER	TUERCA
62	D28981001		1	SUPPORT	SUPPORT	TRAGER	SOPORTE
63	D20400506		2	WASHER	RONDELLE	SCHEIBE	ARANDELA
64	339891X1	M8 X 80	2	HEX. SOCK. SCREW	VIS TETE HEX	ZYLINDERSCHRAUBE	TORN.CAB.HUECA
65	D28981086		1	RING	ANNEAU	RING.	ANILLO
66	D40632000		1	STUD	GOUJON	STEBHOLZEN	ESPARRAGO ROSCA.
67*	D28251484	84	1	NON RETURN VALVE	CLAPET	RUECKSCHLAGVENT.	VALV.SIN RETORNO
68	339666X1	M6 X 20	2	HEX. SOCK. SCREW	VIS TETE HEX	ZYLINDERSCHRAUBE	TORN.CAB.HUECA
69	D20400404		4	WASHER	RONDELLE	SCHEIBE	ARANDELA
70	1441462X1	M6	3	LOCKNUT	ECROU FREIN	SICHERUNGSMUTTER	CONTRATUERCA
71	D40741200		8	SCREW	VIS	SCHRAUBE	TORNILLO
72	390799X1	M10 X 40	2	HEX. SOCK. SCREW	VIS TETE HEX	ZYLINDERSCHRAUBE	TORN.CAB.HUECA
73	D42608700		1	PIN	GOUPILLE	STIFT	PASADOR
74	D45110095		1	PRESSURE VALVE	VALVE	DRUCKVENTIL	VALVULA PRESION
75	391884X1	M6 X 50	2	HEX. SOCK. SCREW	VIS TETE HEX	ZYLINDERSCHRAUBE	TORN.CAB.HUECA
76	1440329X1	M10	2	LOCKNUT	ECROU FREIN	SICHERUNGSMUTTER	CONTRATUERCA
77	D20400416		4	WASHER	RONDELLE	SCHEIBE	ARANDELA
78	D28885638		1	COVER	COUVERCLE	ABDECKUNG.	CUBIERTA
79	D28560162		1	LEVER	LEVIER	HEBEL	PALANCA
80	D28560165		1	U BOLT	ETRIER FILETE	BUEGELSCHRAUBE	BRIDA EN U
81	D28180703		1	SHIELD	TOLE	SCHILD	BLINDAJE



D-ZGZB-005-E

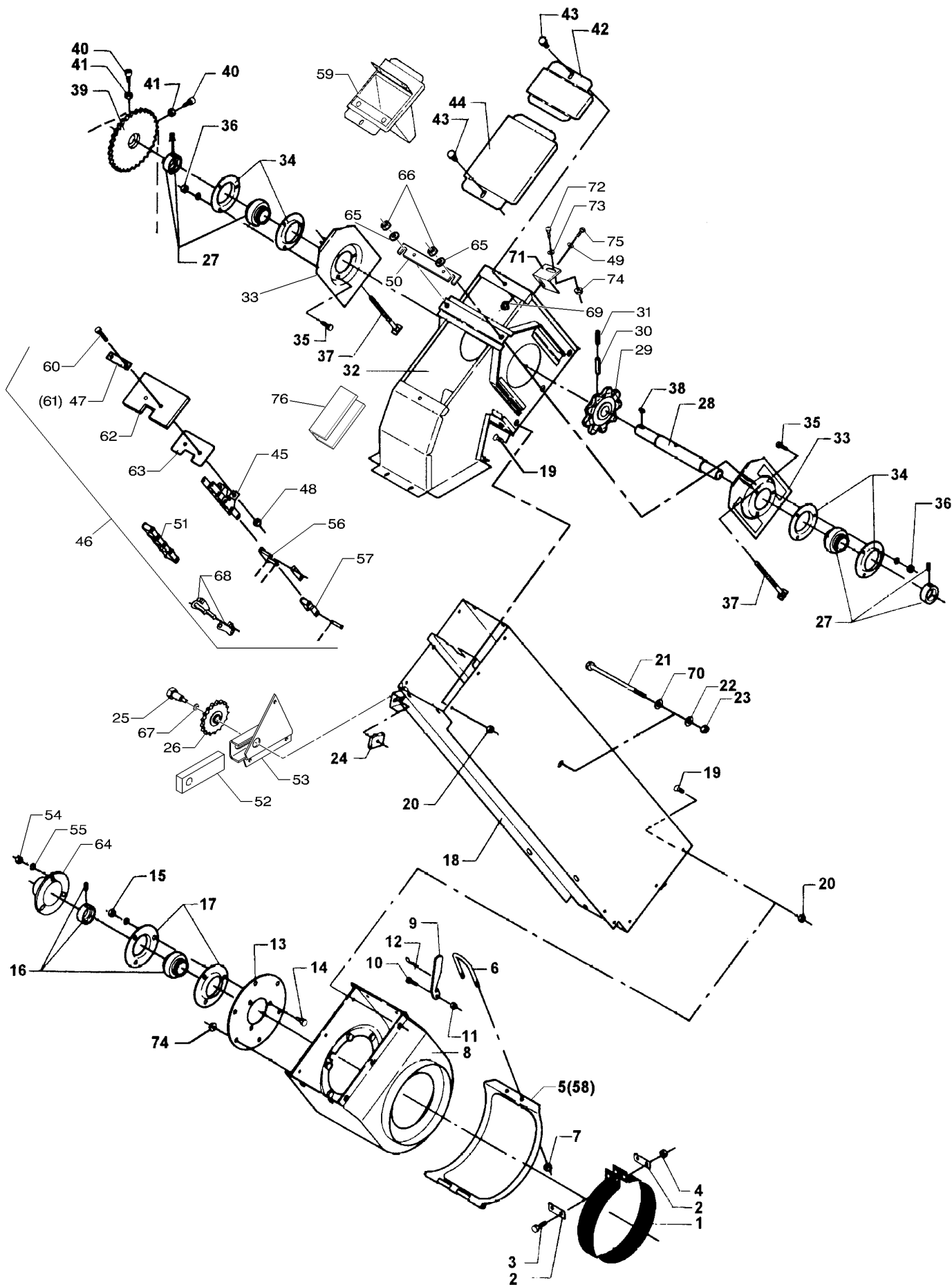
82 D28186852		1 BRACKET	SUPPORT FIXATION	HALTEARM	SOPORTE
83 D28186847		1 ROD	TRINGLE	STANGE	VARILLA
84*D28781196	[C] CPL.	1 FLOW REGULATOR	DOSEUR	DURCHFLUSSREGLER	DOSIFICADOR
85*D45120076	56 [C]	1 ELECTROVALVE	ELECTROVANNE	ELECTRON.VENTIL	ELECTROVALVULA
86*D45120077	56 [C]	1 SOLENOID	SOLENOIDE	MAGNETSPULE	SOLENOIDE
87*D45110011	56 [C]	1 KIT, SEAL	JEU ETANCHEITE	DICHTRINGSATZ	RETENES JUEGO
[A] MAIZE EQUIPMENT EQUIPEMENT MAIS MAISAUSRUESTUNG EQUIPO PARA MAIZ					
[B] INCLUDED IN D28585035 COMPRIS DANS D28585035 ENTHALTEN IN D28585035 INCLUIDO EN D28585035					
[C] NOT ILLUSTRATED NON ILLUSTRE NICHT ILLUSTRIRT NO ILUSTRADO					



D-ZGZC-005-C

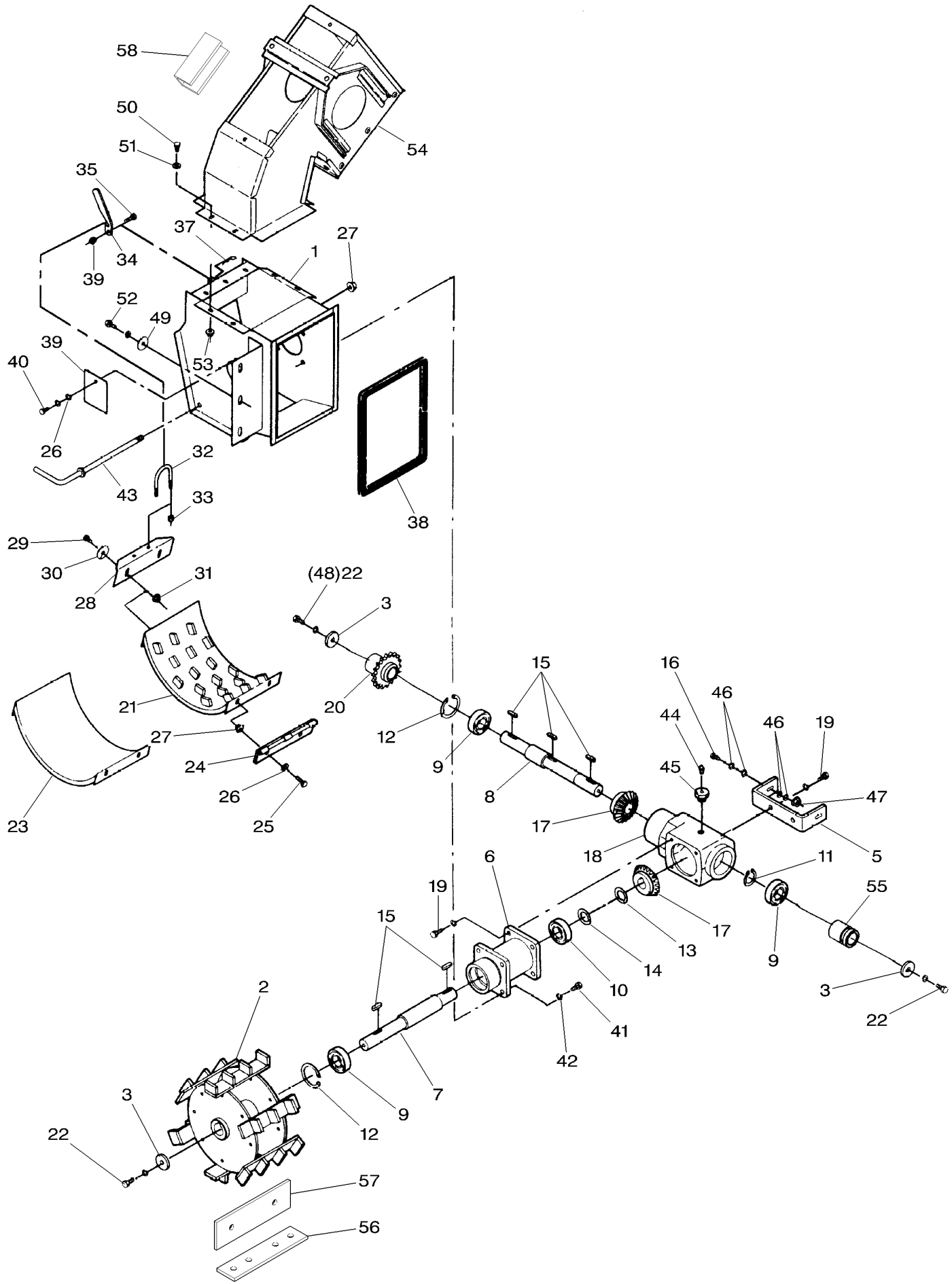
1	D28480218		1	PLATE	PLAQUE	PLATTE	PLATO
2	D28480217		2	PLATE	PLAQUE	PLATTE	PLATO
3	339560X1	M6 X 16	2	HEX. SOCK. SCREW	VIS TETE HEX	ZYLINDERSCHRAUBE	TORN.CAB.HUECA
4	1441462X1	M6	2	LOCKNUT	ECROU FREIN	SICHERUNGSMUTTER	CONTRATUERCA
5	D28580048		1	BOTTOM PART	PIECE INFERIEURE	UNTERTEIL	PIEZA DE PISO
6	D28560165		1	U BOLT	ETRIER FILETE	BUEGELSCHRAUBE	BRIDA EN U
7	1441462X1	M6	2	LOCKNUT	ECROU FREIN	SICHERUNGSMUTTER	CONTRATUERCA
8	D28580052		1	COVER	COUVERCLE	ABDECKUNG.	CUBIERTA
9	D28560162		1	LEVER	LEVIER	HEBEL	PALANCA
10	339804X1	M6 X 25	1	HEX. SOCK. SCREW	VIS TETE HEX	ZYLINDERSCHRAUBE	TORN.CAB.HUECA
11	1441462X1	M6	1	LOCKNUT	ECROU FREIN	SICHERUNGSMUTTER	CONTRATUERCA
12	D27100120		1	HAIR PIN	EPIINGLE	SICHERUNGSFEDER	RETENEDOR ELAST
13	D28580245		1	BEARING PLATE	PLAQUE ROULEMENT	LAGERPLATTE	PLACA DE APOYO
14	D40407000		3	SCREW	VIS	SCHRAUBE	TORNILLO
15	339402X1	M10	3	NUT SPECIAL	ECROU SPECIAL	SPEZIALMUTTER	TUERCA ESPECIAL
16	D41708600		1	BALL BEARING	ROULEMENT BILLES	KUGELLAGER	COJINETE DE BOLA
17	D41708800		2	BEARING FLANGE	FLASQUE ROULT	LAGERFLANSCH	BEARING FLANGE
18	D28580445		1	HOUSING	CARTER	GEHAEUSE	ALOJAMIENTO
19	1441267X1	M6 X 16	20	SCREW	VIS	SCHRAUBE	TORNILLO
20	1441462X1	M6	20	LOCKNUT	ECROU FREIN	SICHERUNGSMUTTER	CONTRATUERCA
21	D40430300		1	SCREW	VIS	SCHRAUBE	TORNILLO
22	D20400426		1	WASHER	RONDELLE	SCHIBE	ARANDELA
23	1442190X1	M12	1	LOCKNUT	ECROU FREIN	SICHERUNGSMUTTER	CONTRATUERCA
24	D28580219		1	DOG	CHIEN	KLAUE	PRISIONERO
25	D28585135		1	BOLT	BOULON	BOLZEN	BULON
26	D41717900		X	SPROCKET	BARBOTIN	KETTENRAD	RUEDA DE CADENA
27	412260M1		2	BALL BEARING	ROULEMENT BILLES	KUGELLAGER	COJINETE DE BOLA
28	D28580443		1	SHAFT	ARBRE	WELLE	ARBOL
29	D28580448		1	SPROCKET	BARBOTIN	KETTENRAD	RUEDA DE CADENA
30	339307X1	Ø 8X50	1	PIN	GOUPILLE	STIFT	PASADOR
31	395557X1	Ø 5 X 50	1	SPIROL PIN	GOUPILLE SPIRALE	SPIRALSTIFT	PASADOR ESPIRAL
32	D28580444		1	RISER	ELEVATEUR	HUBVORRICHTUNG	CJTO.ELEVADOR
33	D28580221		2	BEARING PLATE	PLAQUE ROULEMENT	LAGERPLATTE	PLACA DE APOYO
34	D41708700		4	FLANGE	FLASQUE	FLANSCH	PLETINA
35	339123X1	M8 X 20	6	HEX. SOCK. SCREW	VIS TETE HEX	ZYLINDERSCHRAUBE	TORN.CAB.HUECA
36	339169X1	M8	6	NUT	ECROU	MUTTER	TUERCA
37	D28520060		2	BOLT	BOULON	BOLZEN	BULON
38	D43103100		1	KEY	CLAVETTE	STELLKEIL	CHAVETA
39	D28585105		1	SPROCKET	BARBOTIN	KETTENRAD	RUEDA DE CADENA
40	D40466900		2	SCREW	VIS	SCHRAUBE	TORNILLO
41	339169X1	M8	2	NUT	ECROU	MUTTER	TUERCA
42	D28580097		1	SHUTTER	OBTURATEUR	BLENDENVERSCHLUS	OBTURADOR
43	D43385200		2	SCREW	VIS	SCHRAUBE	TORNILLO
44	D28580222		1	SHUTTER	OBTURATEUR	BLENDENVERSCHLUS	OBTURADOR
45	D42350300		1	CHAIN	CHAINE	KETTE	CADENA
46	D28580348		1	CHAIN	CHAINE	KETTE	CADENA
47	D28550323		1	PLATE	PLAQUE	PLATTE	PLATO
48	394367X1	M8	28	NUT	ECROU	MUTTER	TUERCA
49	D20400416		X	WASHER	RONDELLE	SCHIBE	ARANDELA
50	D28580433		1	PLATE	PLAQUE	PLATTE	PLATO
51	D42351300		1	CHAIN	CHAINE	KETTE	CADENA
52	D28585181		1	BRIDLE	BRIDE	LASCHENSANNBAND	BRIDA
53	D28585180		1	BRACKET	SUPPORT FIXATION	HALTEAM	SOPORTE
54	1440329X1	M10	3	LOCKNUT	ECROU FREIN	SICHERUNGSMUTTER	CONTRATUERCA
55	D20400471		1	WASHER	RONDELLE	SCHIBE	ARANDELA
56	D42351400		1	LINK	MAILLON	GLIED	ESLABON
57	D42351200		1	KIT, LINK	JEU MAILLONS	KETTENGLIEDSATZ	JUEGO ENGANCHE
58	D28580295	[B]	1	COVER	COUVERCLE	ABDECKUNG.	CUBIERTA
59	D28780853	[A]	1	SENSOR	DETECTEUR	SENSOR	DETECTOR
60	339337X1	M8 X 30	28	HEX. SOCK. SCREW	VIS TETE HEX	ZYLINDERSCHRAUBE	TORN.CAB.HUECA
61	D28550323		14	PLATE	PLAQUE	PLATTE	PLATO
62	D28580137		14	PLATE	PLAQUE	PLATTE	PLATO
63	D28550372		14	PLATE	PLAQUE	PLATTE	PLATO
64	D28761667		1	COVER	COUVERCLE	ABDECKUNG.	CUBIERTA
65	D20400471		2	WASHER	RONDELLE	SCHIBE	ARANDELA
66	D28580432		2	NUT	ECROU	MUTTER	TUERCA
67	D20400414		1	WASHER	RONDELLE	SCHIBE	ARANDELA
68	D42350400		1	LINK	MAILLON	GLIED	ESLABON
69	1440329X1	M10	1	LOCKNUT	ECROU FREIN	SICHERUNGSMUTTER	CONTRATUERCA
70	D20400425		X	WASHER	RONDELLE	SCHIBE	ARANDELA
71	D28585343		1	BRACKET	SUPPORT FIXATION	HALTEAM	SOPORTE
72	339761X1	M8 X 25	1	HEX. SOCK. SCREW	VIS TETE HEX	ZYLINDERSCHRAUBE	TORN.CAB.HUECA
73	D20400506		1	WASHER	RONDELLE	SCHIBE	ARANDELA
74	394367X1	M8	1	NUT	ECROU	MUTTER	TUERCA
75	3009492X1	M10 X 25	1	HEX. SOCK. SCREW	VIS TETE HEX	ZYLINDERSCHRAUBE	TORN.CAB.HUECA
76	D28580439	32 FOR D28580444	1	BRACKET	SUPPORT FIXATION	HALTEAM	SOPORTE

IAI RETURNS VOL. MONITOR
JAUGE D'OTONS COMPL.
UBERKEHR MENGEN SENSOR
MONITOR PARA GRANZAS



D-ZGZC-005-C

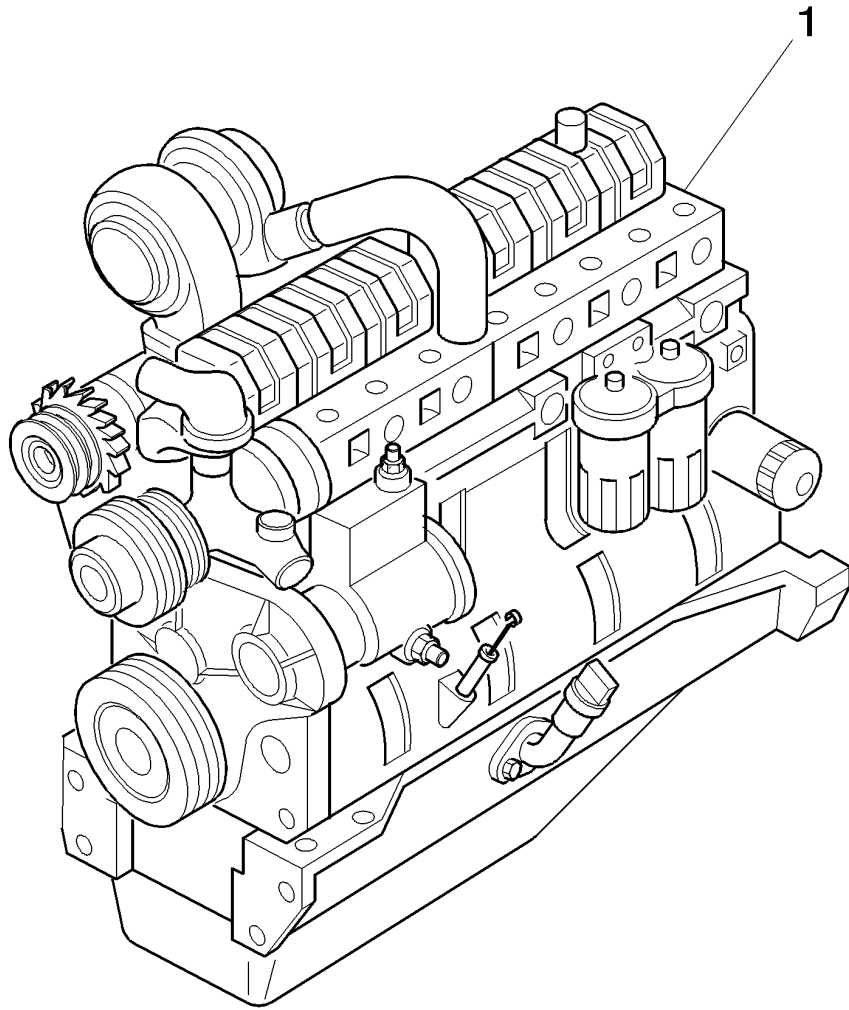
[B] OPTIONAL EQUIPMENT FOR PEAS
EQUIPEMENT ACCESSOIRES POUR POIS SECS
SONDERZUBEHOR FUER ERBSEN
EQUIPO ACCESORIO PARA GUI SANTES SECOS



D-ZGZD-003-C

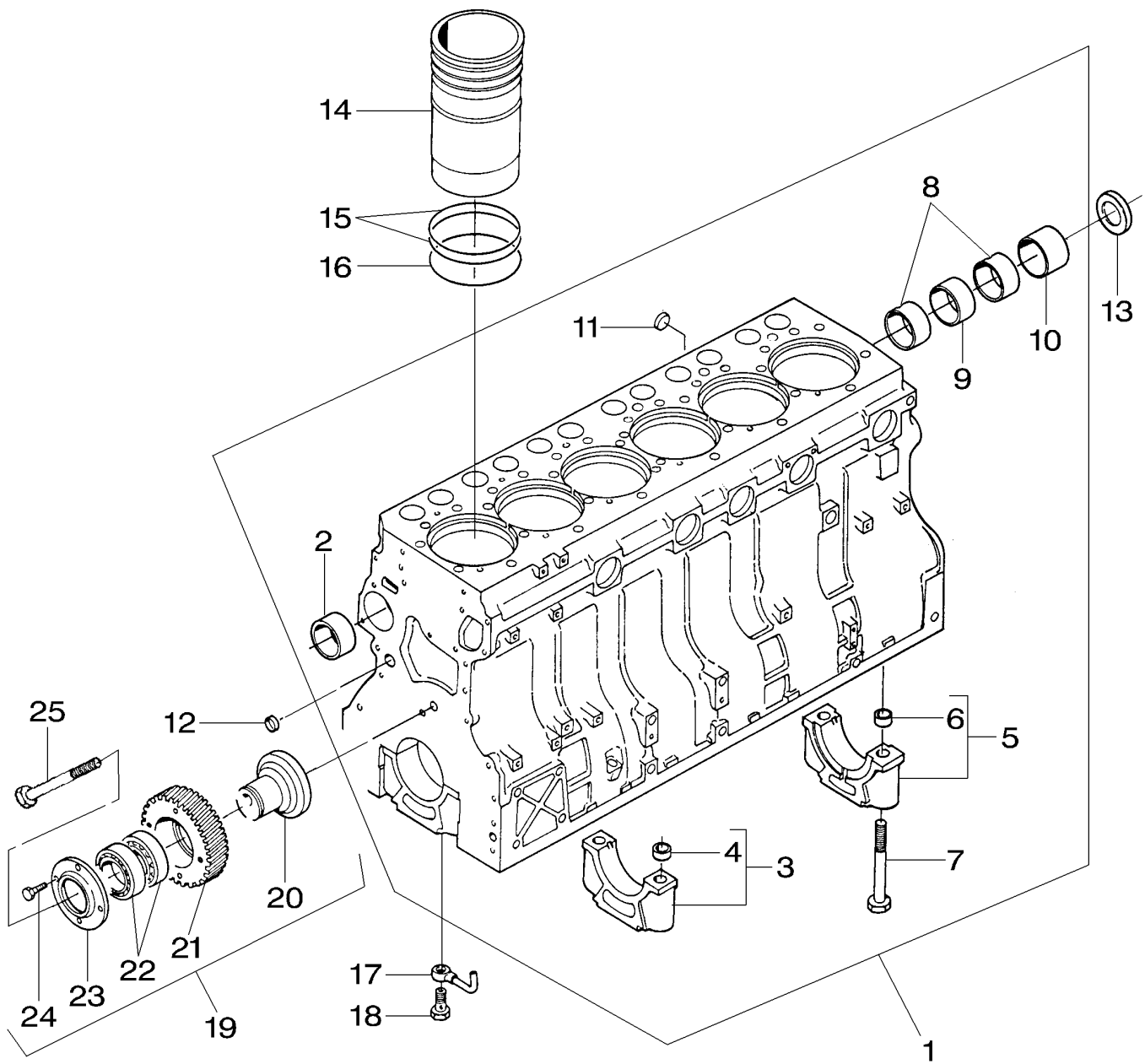
1	D28580360		1	HOUSING	CARTER	GEHAEUSE	ALOJAMIENTO
2	D28580243		1	CYLINDER	CYLINDRE	ZYLINDER	CILINDRO
3	D20400421		3	WASHER	RONDELLE	SCHEIBE	ARANDELA
4	D28580214	[A]	1	ANGLE DRIVE	RENVOI D ANGLE	WINKELTRIEB	TRANSMISION ANG.
5	D28580211	4	1	SUPPORT	SUPPORT	TRAGER	SOPORTE
6	D28580407	4	1	BEARING CARRIER	PALIER	LAGER GEHAEUSE	COJINETE APOYO
7	D28580209	4	1	SHAFT	ARBRE	WELLE	ARBOL
8	D28580210	4	1	DRIVE SHAFT	ARBRE DE CDE	ANTRIEBSWELLE	EJE MOTRIZ
9	SKF62062RS	4	3	BEAR. 6206 2RS	RLT 6206 2RS	LAGER 6206 2RS	RODA. 6206 2RS
10	1440494X1	4	1	BEAR. 6206	RLT 6206	LAGER 6206	RODA. 6206
11	1440477X1	4	1	CIRCLIP	CIRCLIP	SEEGERING	GRAPA CIRCULAR
12	1440479X1	4	2	CIRCLIP	CIRCLIP	SEEGERING	GRAPA CIRCULAR
13	D42598800	4	5	WASHER	RONDELLE	SCHEIBE	ARANDELA
14	D42598900	4	5	WASHER	RONDELLE	SCHEIBE	ARANDELA
15	D43103400	4	5	KEY	CLAVETTE	STELLKEIL	CHAVETA
16	339337X1	4 M8 X 30	2	HEX. SOCK. SCREW	VIS TETE HEX	ZYLINDERSCHRAUBE	TORN.CAB.HUECA
17	D28580010	4	2	GEAR	ENGRENAGE	ZAHNRAD	ENGRANAJE
18	D28580216	4	1	GEAR CASE ASSY.	ENSEMBLE BOITIER	GETR.GEH.KPL	CJT CAJA ENGRAN.
19	3009492X1	4 M10 X 25	6	HEX. SOCK. SCREW	VIS TETE HEX	ZYLINDERSCHRAUBE	TORN.CAB.HUECA
20	D28585104		1	SPROCKET	BARBOTIN	KETTENRAD	RUEDA DE CADENA
21	D28580230		1	COVER	COUVERCLE	ABDECKUNG.	CUBIERTA
22	D40466700	M10 X 25	2	HEX. SOCK. SCREW	VIS TETE HEX	ZYLINDERSCHRAUBE	TORN.CAB.HUECA
23	D28580318	CPL.	1	COVER	COUVERCLE	ABDECKUNG.	CUBIERTA
24	D28580232		1	COVER	COUVERCLE	ABDECKUNG.	CUBIERTA
25	339761X1	M8 X 25	1	HINGE	CHARNIERE	SCHARNIER	CHARNELA
26	D20400506		2	HEX. SOCK. SCREW	VIS TETE HEX	ZYLINDERSCHRAUBE	TORN.CAB.HUECA
27	394367X1	M8	3	WASHER	RONDELLE	SCHEIBE	ARANDELA
28	D28580248		3	NUT	ECROU	MUTTER	TUERCA
29	339123X1	M8 X 20	1	PLATE	PLAQUE	PLATTE	PLATO
30	D20400410		2	HEX. SOCK. SCREW	VIS TETE HEX	ZYLINDERSCHRAUBE	TORN.CAB.HUECA
31	394367X1	M8	2	WASHER	RONDELLE	SCHEIBE	ARANDELA
32	D28560165		2	NUT	ECROU	MUTTER	TUERCA
33	1441462X1	M6	1	U BOLT	ETRIER FILETE	BUEGELSCHRAUBE	BRIDA EN U
34	D28560162		2	LOCKNUT	ECROU FREIN	SICHERUNGSMUTTER	CONTRATUERCA
35	339804X1	M6 X 25	1	LEVER	LEVIER	HEBEL	PALANCA
36	1441462X1	[A] M6	1	HEX. SOCK. SCREW	VIS TETE HEX	ZYLINDERSCHRAUBE	TORN.CAB.HUECA
			1	LOCKNUT	ECROU FREIN	SICHERUNGSMUTTER	CONTRATUERCA
37	D27100120		1	HAIR PIN	EPINGLE	SICHERUNGSFEDER	RETENEDOR ELAST
38	D44740600	◀▶ 25 M	X	STRIP	RUBAN	STREIFEN	TIRA
39	D28580182		1	COVER	COUVERCLE	ABDECKUNG.	CUBIERTA
40	339124X1	M8 X 16	1	HEX. SOCK. SCREW	VIS TETE HEX	ZYLINDERSCHRAUBE	TORN.CAB.HUECA
41	339814X1	M10 X 35	4	HEX. SOCK. SCREW	VIS TETE HEX	ZYLINDERSCHRAUBE	TORN.CAB.HUECA
42	D20400419		4	WASHER	RONDELLE	SCHEIBE	ARANDELA
43	D28580247		2	ROD	TRINGLE	STANGE	VARILLA
44	D46116500		1	VALVE	SOUPAPE	VENTIL	VALVULA
45	D28580296		1	PLUG	BOUCHON	STOPFEN	TAPON
46	D20400414		4	WASHER	RONDELLE	SCHEIBE	ARANDELA
47	394367X1	M8	2	NUT	ECROU	MUTTER	TUERCA
48	D40466500		1	SETSCREW	VIS DE BLOCAGE	STELLSCHRAUBE	SET SCREW
49	D20400416		3	WASHER	RONDELLE	SCHEIBE	ARANDELA
50	339666X1	M6 X 20	7	HEX. SOCK. SCREW	VIS TETE HEX	ZYLINDERSCHRAUBE	TORN.CAB.HUECA
51	391038X1		7	FLAT WASHER	RONDELLE PLATE	UNTERLEGSCHIEBEN	ARANDELA PLANA
52	3009493X1	M10 X 30	3	HEX. SOCK. SCREW	VIS TETE HEX	ZYLINDERSCHRAUBE	TORN.CAB.HUECA
53	1441462X1	M6	5	LOCKNUT	ECROU FREIN	SICHERUNGSMUTTER	CONTRATUERCA
54	D28580444		1	RISER	ELEVATEUR	HUBVORRICHTUNG	CJTO.ELEVADOR
55	D28585136		1	BUSH	BAGUE	RING	CASQUILLO
56	D28580403		3	PLATE	PLAQUE	PLATTE	PLATO
57	D28580404		3	DEFLECTOR	DEFLECTEUR	ABWEISBLECH	DEFLECTOR
58	D28580439	54 FOR D28580444	1	BRACKET	SUPPORT FIXATION	HALTEAM	SOPORTE

[A] NOT ILLUSTRATED
NON ILLUSTRÉ
NICHT ILLUSTRIRT
NO ILUSTRADO



1	V832960589	645 DSBAEL 8300	1	ENGINE	MOTEUR	MOTOR	MOTOR
1	V832960591	645 DSBAEL 8350	1	ENGINE	MOTEUR	MOTOR	MOTOR
1	V835261476	84CTA-4V 8300	1	ENGINE	MOTEUR	MOTOR	MOTOR
1	V835261376	84CTA-4V 8350	1	ENGINE	MOTEUR	MOTOR	MOTOR
2	V862960589X	[A] 645 DSBAEL 8300	1	SHORT ENGINE	BLOC EMBIELLE	RUMPFMOTOR	BLOQUE EMBIELADO
2	V862960591X	[A] 645 DSBAEL 8350	1	SHORT ENGINE	BLOC EMBIELLE	RUMPFMOTOR	BLOQUE EMBIELADO
2	V865261476X	[A] 84CTA-4V 8300	1	SHORT ENGINE	BLOC EMBIELLE	RUMPFMOTOR	BLOQUE EMBIELADO
2	V865261376X	[A] 84CTA-4V 8350	1	SHORT ENGINE	BLOC EMBIELLE	RUMPFMOTOR	BLOQUE EMBIELADO

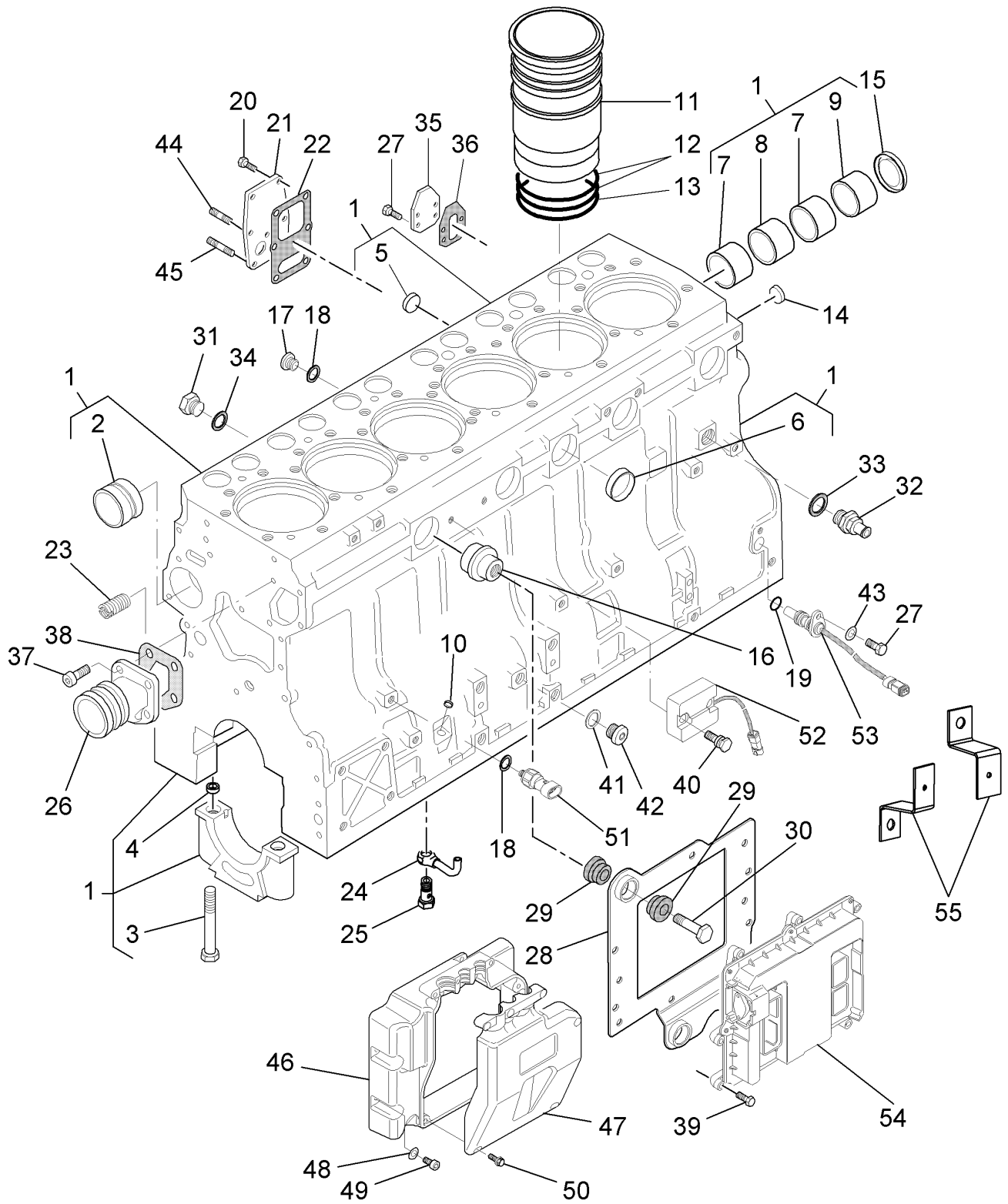
[A] NOT ILLUSTRATED
NON ILLUSTRE
NICHT ILLUSTRIRIERT
NO ILUSTRADO



D-HB02-008-B

1	V836866592		1	CYLINDER BLOCK	BLOC CYLINDRE	ZYLINDERBLOCK	BLOQUE CILINDRO
2	V836866069	1	1	BUSH	BAGUE	RING	CASQUILLO
2	V836866036	1	1	BUSH	BAGUE	RING	CASQUILLO
3		1	1	BEARING CARRIER	PALIER	LAGER GEHAEUSE	COJINETE APOYO
4	V836214478	3	12	BUSH	BAGUE	RING	CASQUILLO
5		1	1	BEARING CARRIER	PALIER	LAGER GEHAEUSE	COJINETE APOYO
6	V836214478	5	2	BUSH	BAGUE	RING	CASQUILLO
7	V529903180	1	14	SCREW	VIS	SCHRAUBE	TORNILLO
8	V836852460	1	2	BUSH	BAGUE	RING	CASQUILLO
8	V836852466	1	2	BUSH	BAGUE	RING	CASQUILLO
9	V836852459	1	1	BUSH	BAGUE	RING	CASQUILLO
10	V836852461	1	1	BUSH	BAGUE	RING	CASQUILLO
11	V836852467	1	1	BUSH	BAGUE	RING	CASQUILLO
11	V640016018	1	1	PLUG	BOUCHON	STOPFEN	TAPON
12	V640016016	[A]	4	PLUG	BOUCHON	STOPFEN	TAPON
13	V836852744		1	PLUG	BOUCHON	STOPFEN	TAPON
14	V836855445	8300	6	LINER	CHEMISE	BUECHSE	CAMISA
14	V836867048	8350	6	LINER	CHEMISE	BUECHSE	CAMISA
14	V836859581	9,08mm	6	LINER	CHEMISE	BUECHSE	CAMISA
14	V836859582	9,13mm	6	LINER	CHEMISE	BUECHSE	CAMISA
14	V836859583	9,23mm	6	LINER	CHEMISE	BUECHSE	CAMISA
15	V836855446	[A]	12	O RING	JOINT TORIQUE	O-RING	JUNTA TOROIDAL
16	V836855447	[A]	6	O RING	JOINT TORIQUE	O-RING	JUNTA TOROIDAL
17	V836846231		6	PIPE	TUYAU	TUBE	TUBO
18	V836338601		6	VALVE	SOUPAPE	VENTIL	VALVULA
19	V836855563		1	GEAR	ENGRENAGE	ZAHNRAD	ENGRANAJE
20	V836855562	19	1	SHAFT	ARBRE	WELLE	ARBOL
21	V836855560	19	1	GEAR	ENGRENAGE	ZAHNRAD	ENGRANAJE
22	V610072109	19	2	BEARING ASSY	ROULEMENT	RADIALLAGER	RODAMIENTO RAD
23	V836855561	19	1	FLANGE	FLASQUE	FLANSCH	PLETINA
24	V528801362	19 M8X16	4	SCREW	VIS	SCHRAUBE	TORNILLO
25	V581705910	M14X70	1	SCREW	VIS	SCHRAUBE	TORNILLO

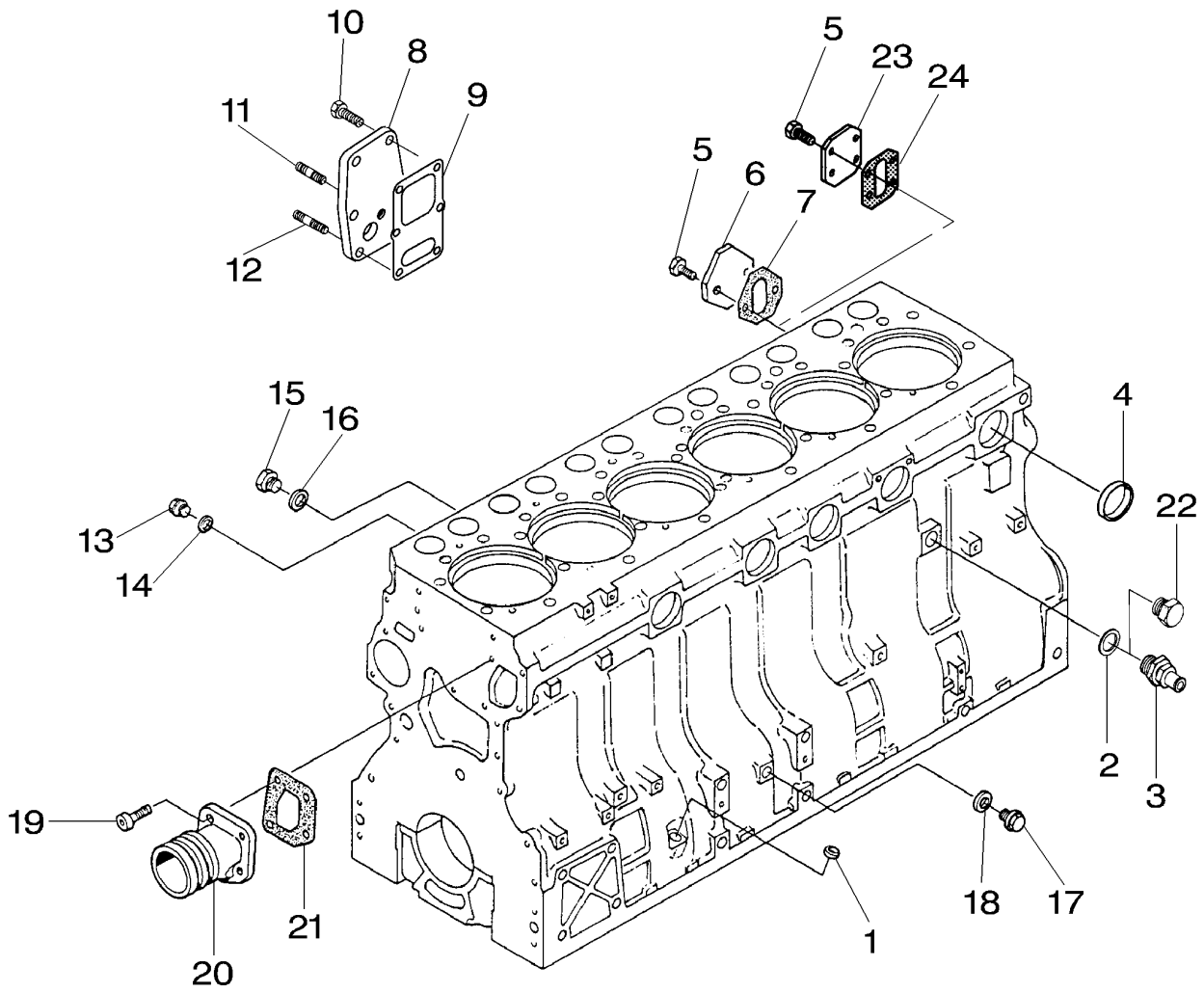
[A] INCLUDED IN V836840994
 COMPRIS DANS V836840994
 ENTHALTEN IN V836840994
 INCLUYE EN V836840994



D-HB02-010-B

1	V836867046		1	CYLINDER BLOCK	BLOC CYLINDRE	ZYLINDERBLOCK	BLOQUE CILINDRO
2	V836866069	1	1	BUSH	BAGUE	RING	CASQUILLO
3	V836866036	✂ +0,4 MM	X	BUSH	BAGUE	RING	CASQUILLO
3	V529903180	1	14	SCREW	VIS	SCHRAUBE	TORNILLO
4	V836214478	1	24	BUSH	BAGUE	RING	CASQUILLO
5	V640016018	1	1	PLUG	BOUCHON	STOPFEN	TAPON
6	V640016040	1	4	PLUG	BOUCHON	STOPFEN	TAPON
7	V836852460	1	2	BUSH	BAGUE	RING	CASQUILLO
8	V836852459	1	1	BUSH	BAGUE	RING	CASQUILLO
9	V836852461	1	1	BUSH	BAGUE	RING	CASQUILLO
10	V640016012		1	PLUG	BOUCHON	STOPFEN	TAPON
11	V836867048		6	LINER	CHEMISE	BUECHSE	CAMISA
11	V836867050	✂ 9,08 MM	X	LINER	CHEMISE	BUECHSE	CAMISA
12	V836855446	[A]	12	O RING	JOINT TORIQUE	O-RING	JUNTA TOROIDAL
13	V836855447	[A]	6	O RING	JOINT TORIQUE	O-RING	JUNTA TOROIDAL
14	V640016016		4	PLUG	BOUCHON	STOPFEN	TAPON
15	V836852744		1	PLUG	BOUCHON	STOPFEN	TAPON
16	V837069057		1	PLUG	BOUCHON	STOPFEN	TAPON
17	V640325110		5	PLUG	BOUCHON	STOPFEN	TAPON
18	V615871014	[A]	5	O RING	JOINT TORIQUE	O-RING	JUNTA TOROIDAL
19	V614601524		1	O RING	JOINT TORIQUE	O-RING	JUNTA TOROIDAL
20	V528801380	M8 X 20	5	SCREW	VIS	SCHRAUBE	TORNILLO
21	V836855678		1	COVER	COUVERCLE	ABDECKUNG.	CUBIERTA
22	V836322852	[A]	1	GASKET	JOINT	FLACHDICHTUNG	JUNTA PLANA
23	V836859153		1	NIPPLE	GRAISSEUR COUDE	NIPPEL	NIPLE
24	V837070021		6	PIPE	TUYAU	TUBE	TUBO
25	V836338601		6	VALVE	SOUPAPE	VENTIL	VALVULA
26	V836855629		1	SLEEVE	MANCHON	HUELSE	MANGUITO
27	V528801362	M8 X 16	5	SCREW	VIS	SCHRAUBE	TORNILLO
28	V837070147		1	BRACKET	SUPPORT FIXATION	HALTEARM	SOPORTE
29	V837069052		6	BUSH	BAGUE	RING	CASQUILLO
30	V837069056		3	SCREW	VIS	SCHRAUBE	TORNILLO
31	V836119079		1	PLUG	BOUCHON	STOPFEN	TAPON
32	V836664377		1	COCK	ROBINET	ABSPERRHAHN	AGUJA INDICADORA
33	V615881624	[A]	1	SEAL	JOINT ETANCHEITE	DICHRING	JUNTA REDONDA
34	V615881620	[A]	1	SEAL	JOINT ETANCHEITE	DICHRING	JUNTA REDONDA
35	V836866957		1	COVER	COUVERCLE	ABDECKUNG.	CUBIERTA
36	V836866958	[A]	1	GASKET	JOINT	FLACHDICHTUNG	JUNTA PLANA
37	V581804600	M8 X 20	4	SCREW	VIS	SCHRAUBE	TORNILLO
38	V836855554	[A]	1	GASKET	JOINT	FLACHDICHTUNG	JUNTA PLANA
39	V529801102	M6 X 25	8	SCREW	VIS	SCHRAUBE	TORNILLO
40	V837070197		2	SCREW	VIS	SCHRAUBE	TORNILLO
41	V615881420	[A]	1	GASKET	JOINT	FLACHDICHTUNG	JUNTA PLANA
42	V640325014		1	PLUG	BOUCHON	STOPFEN	TAPON
43	V500050840		1	WASHER	RONDELLE	SCHEIBE	ARANDELA
44	V546801360	M8 X 16	1	BOLT	BOULON	BOLZEN	BULON
45	V546801400	M8 X 25	1	BOLT	BOULON	BOLZEN	BULON
46	V837070285		1	COVER	COUVERCLE	ABDECKUNG.	CUBIERTA
47	V837070286		1	COVER	COUVERCLE	ABDECKUNG.	CUBIERTA
48	V500150642		5	WASHER	RONDELLE	SCHEIBE	ARANDELA
49	V581804182	M6 X 16	5	SCREW	VIS	SCHRAUBE	TORNILLO
50	V590253388	5.1 X 14	6	SCREW	VIS	SCHRAUBE	TORNILLO
51		👁 8-45 No	X	SENSOR	DETECTEUR	SENSOR	DETECTOR
52		👁 8-45 No	X	MODULE	MODULE	MODUL	MODULO
53		👁 8-45 No	X	SPEED SENSOR	CAPTEUR VITESSE	GESCHW.SENSOR	ENSOR GIR.
54		👁 8-45 No	X	CONTROL UNIT	UNITE DE CONTROL	KONTROLEINHEIT	UNIDAD CONTROL
55	*D28787498		2	SUPPORT	SUPPORT	TRAGER	SOPORTE

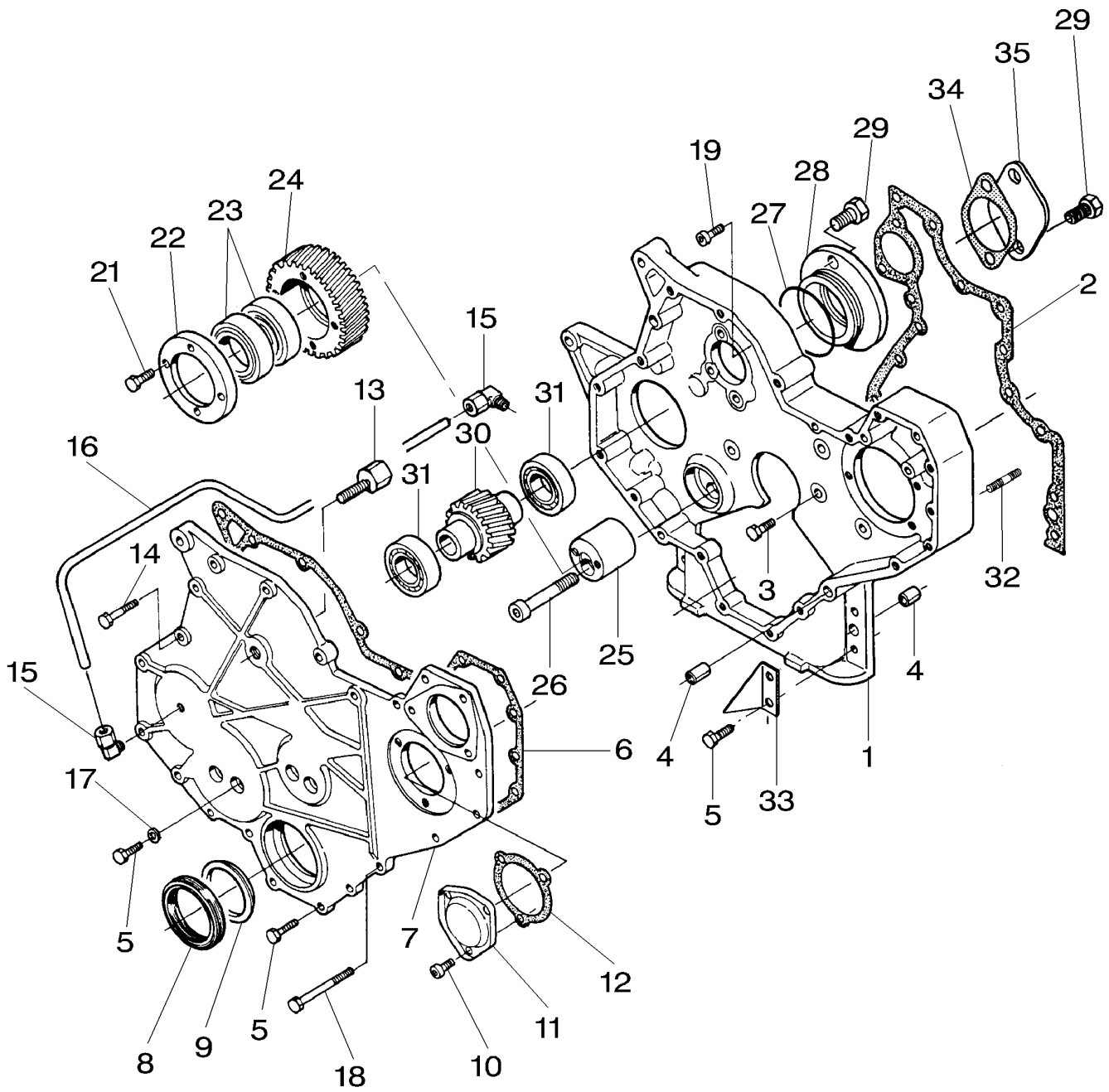
[A] INCLUDED IN KIT V837062628
INCLUS DANS JEU V837062628
ENTHALTEN IN KIT V837062628
INCLUYE EN KIT V837062628



D-HB46-002-C

1	V640016012		1	PLUG	BOUCHON	STOPFEN	TAPON
2	V615881824	[A]	1	SEAL	JOINT ETANCHEITE	DICHTRING	JUNTA REDONDA
3	V836664377		1	COCK	ROBINET	ABSPERRHAHN	AGUJA INDICADORA
4	V640016040		5	PLUG	BOUCHON	STOPFEN	TAPON
5	V528801362	M8X16	2	SCREW	VIS	SCHRAUBE	TORNILLO
6	V836647400	8300	1	COVER	COUVERCLE	ABDECKUNG.	CUBIERTA
7	V836647401	[A] 8300	1	GASKET	JOINT	FLACHDICHTUNG	JUNTA PLANA
8	V836855678		1	COVER	COUVERCLE	ABDECKUNG.	CUBIERTA
9	V836322852	[A]	1	GASKET	JOINT	FLACHDICHTUNG	JUNTA PLANA
10	V528801380	M8X20	9	SCREW	VIS	SCHRAUBE	TORNILLO
11	V546801360	M8X16	1	BOLT	BOULON	BOLZEN	BULON
12	V546801400	M8X25	1	BOLT	BOULON	BOLZEN	BULON
13	V640325110		5	PLUG	BOUCHON	STOPFEN	TAPON
14	V615871014	[A]	5	O RING	JOINT TORIQUE	O-RING	JUNTA TOROIDAL
15	V836119079		1	PLUG	BOUCHON	STOPFEN	TAPON
16	V615881620	[A]	1	SEAL	JOINT ETANCHEITE	DICHTRING	JUNTA REDONDA
17	V640325014		1	PLUG	BOUCHON	STOPFEN	TAPON
18	V615881420	[A]	1	GASKET	JOINT	FLACHDICHTUNG	JUNTA PLANA
19	VHC9326	M8X20	4	SCREW	VIS	SCHRAUBE	TORNILLO
20	V836855629		1	SLEEVE	MANCHON	HUELSE	MANGUITO
21	V836855554	[A]	1	GASKET	JOINT	FLACHDICHTUNG	JUNTA PLANA
22	V836019756		1	PLUG	BOUCHON	STOPFEN	TAPON
23	V836866957	8350	1	COVER	COUVERCLE	ABDECKUNG.	CUBIERTA
24	V836866958	8350	1	GASKET	JOINT	FLACHDICHTUNG	JUNTA PLANA

[A] INCLUDED IN V836840994
 COMPRIS DANS V836840994
 ENHALTEN IN V836840994
 INCLUYE EN V836840994

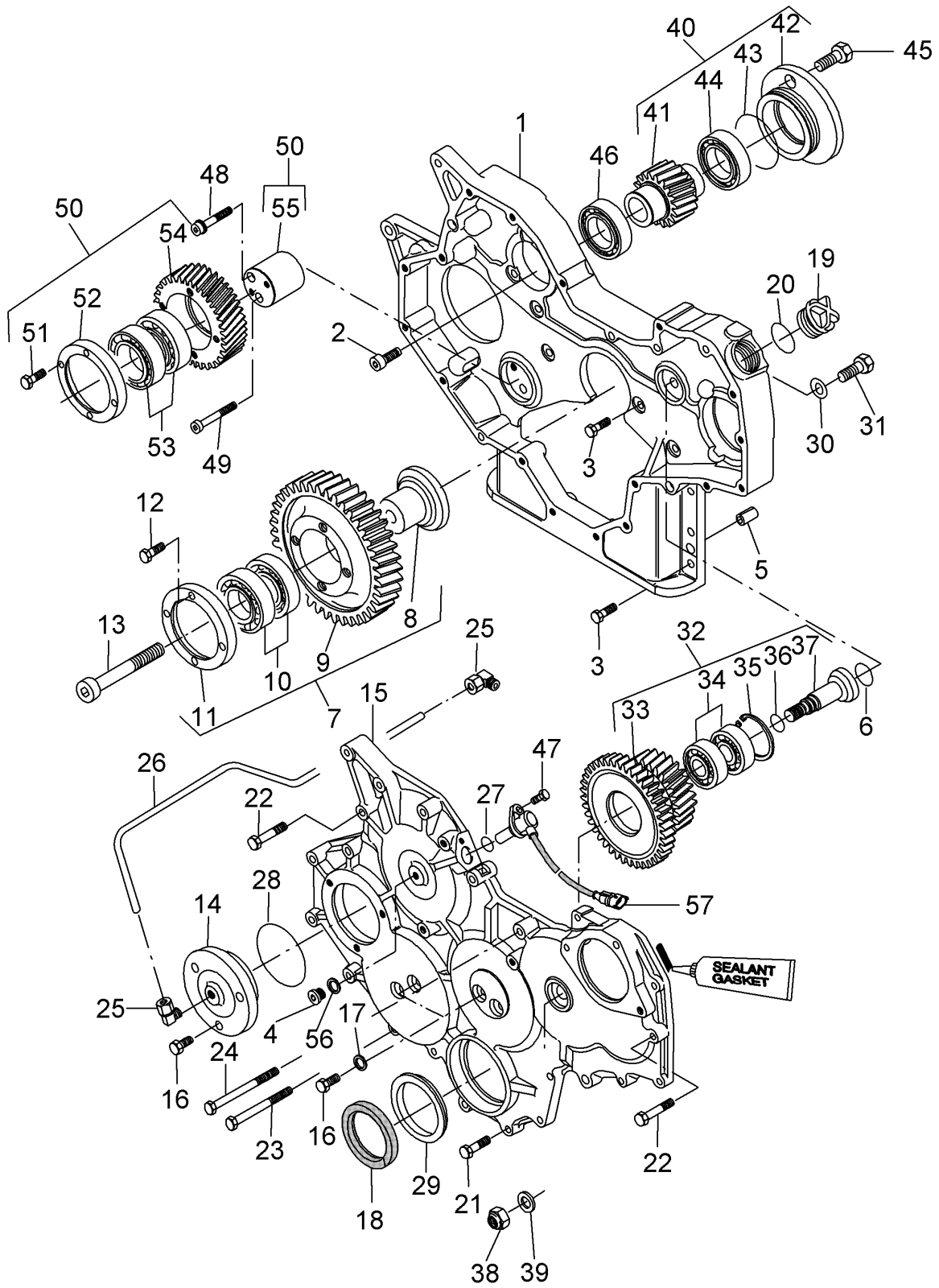


D-HB03-007-A

1	V836859199		1	GEAR CASE ASSY.	ENSEMBLE BOITIER	GETR.GEH.KPL	CJT CAJA ENGRAN.
2	V836647419	[A]	1	GASKET	JOINT	FLACHDICHTUNG	JUNTA PLANA
3	V528801380		9	SCREW	VIS	SCHRAUBE	TORNILLO
4	V598359850		4	PIN	GOUPILLE	STIFT	PASADOR
5	V528801400		12	SCREW	VIS	SCHRAUBE	TORNILLO
6	V836859201	[A]	1	GASKET	JOINT	FLACHDICHTUNG	JUNTA PLANA
7	V836859200		1	HOUSING	CARTER	GEHAUSE	ALOJAMIENTO
8	V836840883	[A]	1	OIL SEAL	BAGUE ETANCHEITE	OELDICHTRING	BUJE RETENACEITE
9	V836855636		1	GASKET	JOINT	FLACHDICHTUNG	JUNTA PLANA
10	V581804570		3	SCREW	VIS	SCHRAUBE	TORNILLO
11	V836136717		1	COVER	COUVERCLE	ABDECKUNG.	CUBIERTA
12	V836129946	[A]	1	GASKET	JOINT	FLACHDICHTUNG	JUNTA PLANA
13	V836855526		1	RESTRICTOR	LIMITEUR	SPARDUESE	LIMITADOR
14	V528801410		6	ADJUSTING SCREW	VIS REGLAGE	EINSTELLSCHRAUBE	TORNILLO AJUSTA
15	V641166006		2	ELBOW NIPPLE	RACCORD COUDE	WINKELSTUTZEN	CODO DE UNION
16	V836855853		1	PIPE	TUYAU	TUBE	TUBO
17	V615870814	[A]	4	WASHER	RONDELLE	SCHEIBE	ARANDELA
18	V529801530		2	SCREW	VIS	SCHRAUBE	TORNILLO
19	VHC9326		1	SCREW	VIS	SCHRAUBE	TORNILLO
20	V836855567	[B]	1	GEAR	ENGRENAGE	ZAHNRAD	ENGRANAJE
21	V528801400	20	4	SCREW	VIS	SCHRAUBE	TORNILLO
22	V836855565	20	1	RING	ANNEAU	RING.	ANILLO
23	V610072109	20	2	BEARING ASSY	ROULEMENT	RADIALLAGER	RODAMIENTO RAD
24	V836855564	20	1	GEAR	ENGRENAGE	ZAHNRAD	ENGRANAJE
25	V836855566	20	1	SLEEVE	MANCHON	HUELSE	MANGUITO
26	V581705910		1	SCREW	VIS	SCHRAUBE	TORNILLO
27	V614609430	[A]	1	O RING	JOINT TORIQUE	O-RING	JUNTA TOROIDAL
28	V836855651		1	COVER	COUVERCLE	ABDECKUNG.	CUBIERTA
29	V528802610		2	SCREW	VIS	SCHRAUBE	TORNILLO
30	V836855652		1	GEAR	ENGRENAGE	ZAHNRAD	ENGRANAJE
31	VLA1014	●○ V610060096	2	BALL BEARING	ROULEMENT BILLES	KUGELLAGER	COJINETE DE BOLA
32	V546801860		4	STUD	GOUJON	STEBBOLZEN	ESPARRAGO ROSCA.
33	V836859588		1	ANGLE.	EQUERRE.	WINKEL	ANGULO
34	V836864459		1	GASKET	JOINT	FLACHDICHTUNG	JUNTA PLANA
35	V836864458		1	COVER	COUVERCLE	ABDECKUNG.	CUBIERTA

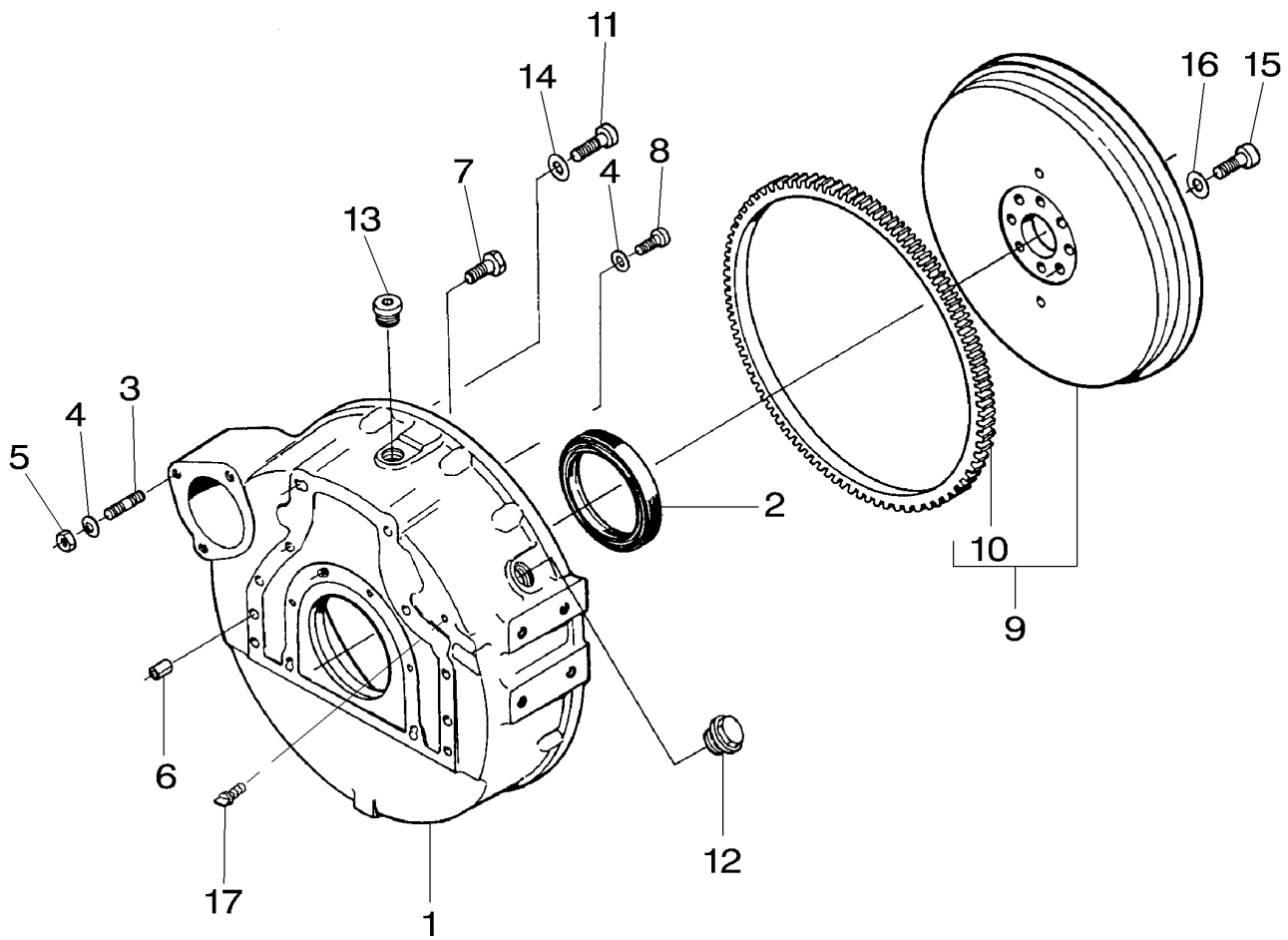
[A] INCLUDED IN V836840994
 COMPRIS DANS V836840994
 ENTHALTEN IN V836840994
 INCLUYE EN V836840994

[B] NOT ILLUSTRATED
 NON ILLUSTRE
 NICHT ILLUSTRIRT
 NO ILUSTRADO



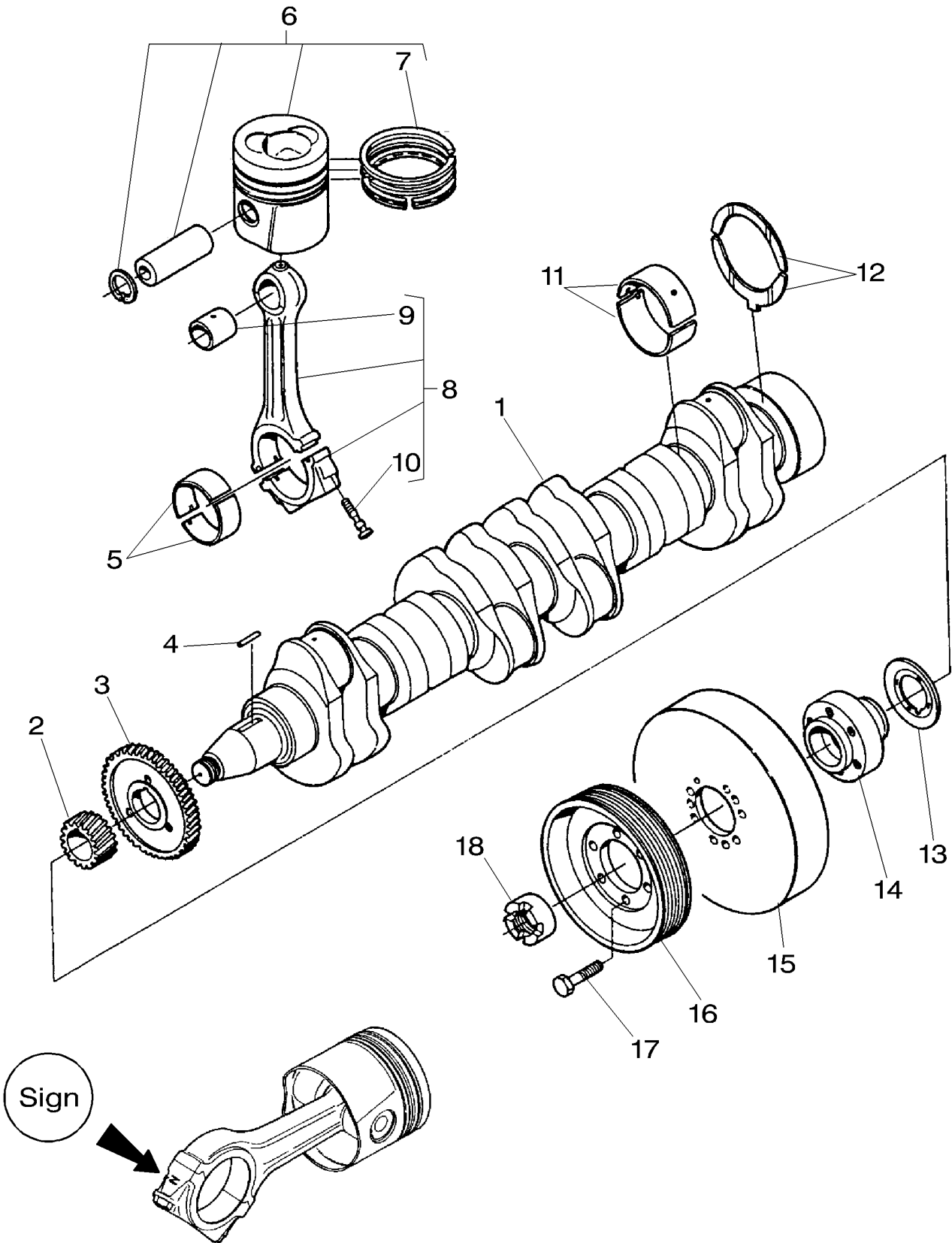
DHB03-009-A

1	V837070107		1	HOUSING	CARTER	GEHAEUSE	ALOJAMIENTO
2	V581804620	M8X25	2	SCREW	VIS	SCHRAUBE	TORNILLO
3	V528801400	M8X25	12	SCREW	VIS	SCHRAUBE	TORNILLO
4	V640325110		1	PLUG	BOUCHON	STOPFEN	TAPON
5	V598359850		2	PIN	GOUPILLE	STIFT	PASADOR
6	V614601924		1	O RING	JOINT TORIQUE	O-RING	JUNTA TOROIDAL
7	V837070001		1	GEAR	ENGRENAGE	ZAHNRAD	ENGRANAJE
8	V836855562	7	1	SHAFT	ARBRE	WELLE	ARBOL
9	V837070000	7	1	GEAR	ENGRENAGE	ZAHNRAD	ENGRANAJE
10	V610072109	7	2	BEARING ASSY	ROULEMENT	RADIALLAGER	RODAMIENTO RAD
11	V836855565	7	1	RING	ANNEAU	RING.	ANILLO
12	V528901400	7 M8X25	4	SCREW	VIS	SCHRAUBE	TORNILLO
13	V581705910	M14X70	1	SCREW	VIS	SCHRAUBE	TORNILLO
14	V837070179		1	COVER	COUVERCLE	ABDECKUNG.	CUBIERTA
15	V837070108		1	TIMING CASE	CARTER REGLA.	STEUERGEHAUSE..	CAJA ENGRAN DIS
16	V528801380	M8X20	7	SCREW	VIS	SCHRAUBE	TORNILLO
17	V615870814		4	WASHER	RONDELLE	SCHEIBE	ARANDELA
18	V836840883		1	OIL SEAL	BAGUE ETANCHEITE	OELDICHTRING	BUJE RETENACEITE
19	V836017927		1	PLUG	BOUCHON	STOPFEN	TAPON
20	V614603540		1	O RING	JOINT TORIQUE	O-RING	JUNTA TOROIDAL
21	V528801410	M8X30	10	ADJUSTING SCREW	VIS REGLAGE	EINSTELLSCHRAUBE	TORNILLO AJUSTA
22	V529801440	M8X45	9	SCREW	VIS	SCHRAUBE	TORNILLO
23	V529801510	M8X50	1	SCREW	VIS	SCHRAUBE	TORNILLO
24	V529801540	M8X95	1	SCREW	VIS	SCHRAUBE	TORNILLO
25	V641166006		2	ELBOW NIPPLE	RACCORD COUDE	WINKELSTUTZEN	CODO DE UNION
26	V836867775		1	PIPE	TUYAU	TUBE	TUBO
27	V614601524		1	O RING	JOINT TORIQUE	O-RING	JUNTA TOROIDAL
28	V614606825		1	O RING	JOINT TORIQUE	O-RING	JUNTA TOROIDAL
29	V836855636		1	GASKET	JOINT	FLACHDICHTUNG	JUNTA PLANA
30	V500951200		1	WASHER	RONDELLE	SCHEIBE	ARANDELA
31	V528902200	M12X25	1	SCREW	VIS	SCHRAUBE	TORNILLO
32	V837070072		1	GEAR	ENGRENAGE	ZAHNRAD	ENGRANAJE
33	V837070113	32	1	GEAR	ENGRENAGE	ZAHNRAD	ENGRANAJE
34	V610073040	32	2	BEARING	COUSSINET	LAGER	COJINETE
35	V617330052	32	1	CIRCLIP	CIRCLIP	SEEGERING	GRAPA CIRCULAR
36	V614601324	32	1	O RING	JOINT TORIQUE	O-RING	JUNTA TOROIDAL
37	V837069069	32	1	SHAFT	ARBRE	WELLE	ARBOL
38	V504601400	M14	1	NUT	ECROU	MUTTER	TUERCA
39	V837069070		1	WASHER	RONDELLE	SCHEIBE	ARANDELA
40	V837070137		1	GEAR	ENGRENAGE	ZAHNRAD	ENGRANAJE
41	V837070005	40	1	SHAFT	ARBRE	WELLE	ARBOL
42	V836855651	40	1	COVER	COUVERCLE	ABDECKUNG.	CUBIERTA
43	V614609430	40	1	O RING	JOINT TORIQUE	O-RING	JUNTA TOROIDAL
44	V610060096	40	1	BEARING	COUSSINET	LAGER	COJINETE
45	V528802602	M14X25	2	SCREW	VIS	SCHRAUBE	TORNILLO
46	V610060096		1	BEARING	COUSSINET	LAGER	COJINETE
47	V528801062	M6X16	1	BOLT	BOULON	BOLZEN	BULON
48	V580704670	M8X50	1	SCREW	VIS	SCHRAUBE	TORNILLO
49	V581704710	M8X70	1	SCREW	VIS	SCHRAUBE	TORNILLO
50	V837070004		1	GEAR	ENGRENAGE	ZAHNRAD	ENGRANAJE
51	V528901400	50 M8X25	4	SCREW	VIS	SCHRAUBE	TORNILLO
52	V836855565	50	1	RING	ANNEAU	RING.	ANILLO
53	V610072109	50	2	BEARING ASSY	ROULEMENT	RADIALLAGER	RODAMIENTO RAD
54	V837070002	50	1	GEAR	ENGRENAGE	ZAHNRAD	ENGRANAJE
55	V837070003	50	1	SHAFT	ARBRE	WELLE	ARBOL
56	V615871014		1	O RING	JOINT TORIQUE	O-RING	JUNTA TOROIDAL
57		👁 8-45 No	x	SPEED SENSOR	CAPTEUR VITESSE	GESCHW.SENSOR	ENSOR GIR.



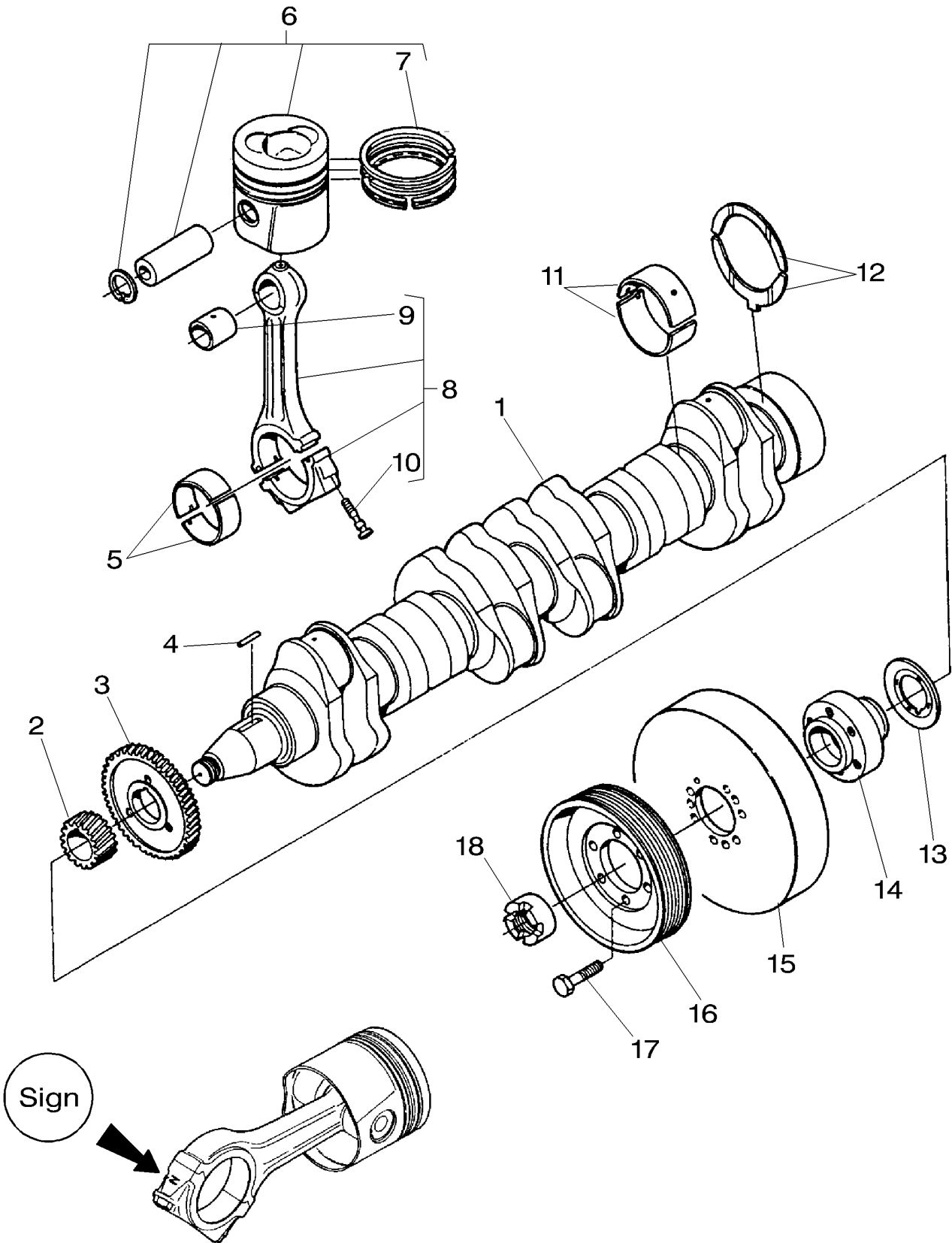
D-HB04-006-B

1	V836647440		1	FLYWHEEL HOUSING	CARTER DE VOLANT	SCHWUNGRADGEH	CUBIERTA V MOTOR
2	V836840884	TYPE 645DSBAEL	1	OIL SEAL	BAGUE ETANCHEITE	OELDICHTRING	BUJE RETENACEITE
2	V614500002	TYPE 84CTA-4V FROM R16351	1	SEAL	JOINT ETANCHEITE	DICHTRING	JUNTA REDONDA
2	V836020054	✂ 2mm	1	SPACER	ENTRETOISE	ABSTANDSTUECK	DISCO ESPACIADOR
3	V546801800	M10X25	3	BOLT	BOULON	BOLZEN	BULON
4	V500951000		6	WASHER	RONDELLE	SCHEIBE	ARANDELA
5	V504801000	M10	3	NUT	ECROU	MUTTER	TUERCA
6	V598359850		2	PIN	GOUPILLE	STIFT	PASADOR
7	V529802230	M12X40	6	SCREW	VIS	SCHRAUBE	TORNILLO
8	V581705030	M10X30	6	SCREW	VIS	SCHRAUBE	TORNILLO
9	V836855909		1	FLYWHEEL	VOLANT MOTEUR	SCHWUNGRAD	VOLANTE MOTOR
10	V836117970	9	1	ANNULAR GEAR	COURONNE	ZAHNKRANZ	ENGRANAJE ANULAR
11	V581705440	M12X35	2	SCREW	VIS	SCHRAUBE	TORNILLO
12	V640045126		1	PLUG	BOUCHON	STOPFEN	TAPON
13	V640325018		1	PLUG	BOUCHON	STOPFEN	TAPON
14	V500951200		1	WASHER	RONDELLE	SCHEIBE	ARANDELA
15	V529702630		8	SCREW	VIS	SCHRAUBE	TORNILLO
16	V500951400		8	WASHER	RONDELLE	SCHEIBE	ARANDELA
17	V836859311		1	PLUG	BOUCHON	STOPFEN	TAPON



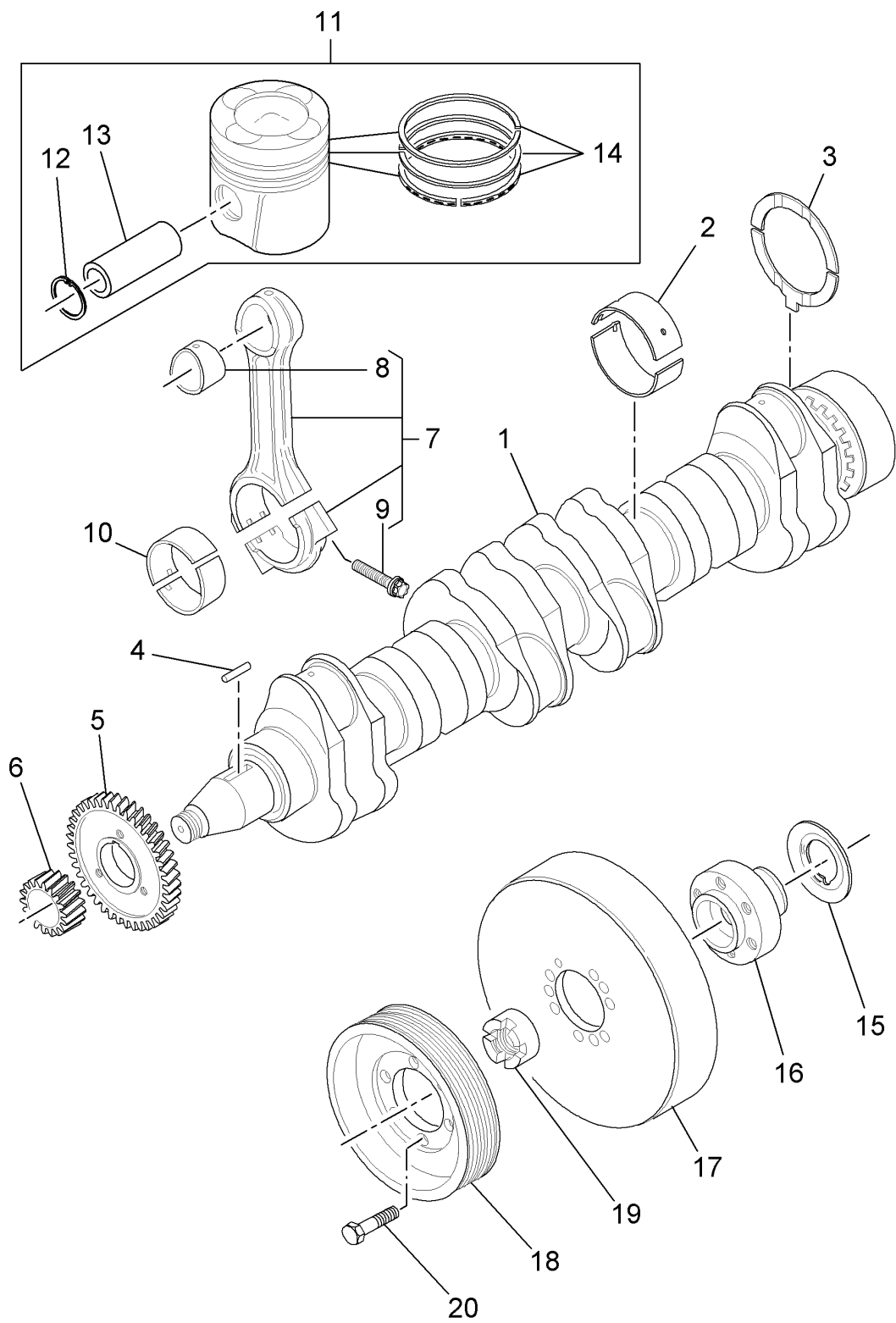
D-HB05-008-A

1	V836855910		1	CRANKSHAFT	VILEBREQUIN	KURBELWELLE	CIGÜEÑAL
2	V836855559		1	GEAR	ENGRENAGE	ZAHNRAD	ENGRANAJE
3	V836855558		1	GEAR	ENGRENAGE	ZAHNRAD	ENGRANAJE
4	V836855525		1	KEY	CLAVETTE	STELLKEIL	CHAVETA
5	V836336302	STANDARD	6	BEARING	COUSSINET	LAGER	COJINETE
5	V836338650	Ø 72,731MM 72,750MM	X	BEARING	COUSSINET	LAGER	COJINETE
5	V836338651	Ø 72,481MM 72,500MM	X	BEARING	COUSSINET	LAGER	COJINETE
5	V836338652	Ø 71,981MM 72,000MM	X	BEARING	COUSSINET	LAGER	COJINETE
5	V836338653	Ø 71,481MM 71,500MM	X	BEARING	COUSSINET	LAGER	COJINETE
6	V836840886		6	PISTON	PISTON	KOLBEN	PISTON
7	V836840887	6	1	KIT, PISTON RING	JEU SEGM PISTON	KOLBENRINGSATZ	AROS.PIST.JUEGO
8	V836864101	2230-2249g E	X	CONROD	BIELLE	PLEUEL	BIELA
8	V836864102	2250-2269g F	X	CONROD	BIELLE	PLEUEL	BIELA
8	V836864103	2270-2289g G	X	CONROD	BIELLE	PLEUEL	BIELA
8	V836340948	2290-2309g H ⇒ V836864104	X	CONROD	BIELLE	PLEUEL	BIELA
8	V836864105	2310-2329g I	X	CONROD	BIELLE	PLEUEL	BIELA
8	V836864106	2330-2349g J	X	CONROD	BIELLE	PLEUEL	BIELA
8	V836864107	2350-2369g K	X	CONROD	BIELLE	PLEUEL	BIELA
9	V836864288	8	6	BUSH	BAGUE	RING	CASQUILLO
9	V836338606	8 Ø +0,5mm	X	BUSH	BAGUE	RING	CASQUILLO
10	V836864141	8	12	SCREW	VIS	SCHRAUBE	TORNILLO
11	V836840944	STANDARD	7	MAIN BEARING	COUSSINET PRINC	HAUPTLAGER	COJINETE PRINCIP
11	V836840978	Ø 89,735MM 89,770MM	X	MAIN BEARING	COUSSINET PRINC	HAUPTLAGER	COJINETE PRINCIP
11	V836840979	Ø 89,485MM 89,520MM	X	MAIN BEARING	COUSSINET PRINC	HAUPTLAGER	COJINETE PRINCIP
11	V836840980	Ø 88,985MM 89,020MM	X	MAIN BEARING	COUSSINET PRINC	HAUPTLAGER	COJINETE PRINCIP
11	V836840981	Ø 88,485MM 88,520MM	X	MAIN BEARING	COUSSINET PRINC	HAUPTLAGER	COJINETE PRINCIP
12	V836840945	STANDARD	2	THRUST WASHER	RONDELLE BUTEE	ANLAUFSCHIEBE	ARANDELA ACELER
12	V836840982	0,1MM	X	THRUST WASHER	RONDELLE BUTEE	ANLAUFSCHIEBE	ARANDELA ACELER
12	V836840983	0,2MM	X	THRUST WASHER	RONDELLE BUTEE	ANLAUFSCHIEBE	ARANDELA ACELER
13	V836855637		1	RING	ANNEAU	RING.	ANILLO
14	V836855641		1	HUB	MOYEU	NABE	CUBO
15	V836840882		1	SHOCK ABSORBER	AMORTISSEUR CHOC	STOSSDAEMPFER	AMORTIGUADOR
16	V836855690	➔ K 9565	1	PULLEY	POULIE	RIEMENSCHIEBE	POLEA
17	V528902230		6	SCREW	VIS	SCHRAUBE	TORNILLO
18	V836322221		1	NUT	ECROU	MUTTER	TUERCA



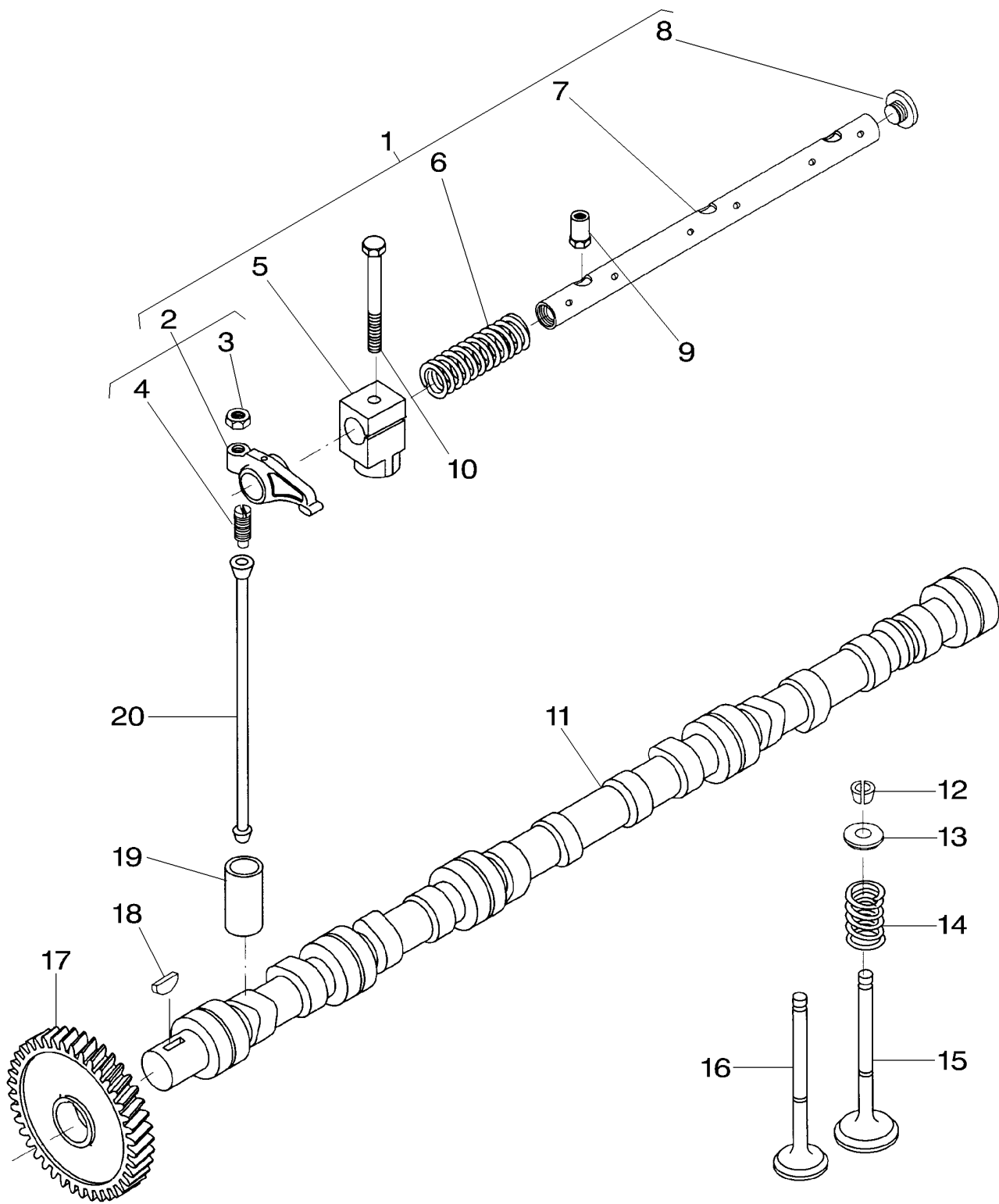
D-HB05-009-A

1	V836855910		1	CRANKSHAFT	VILEBREQUIN	KURBELWELLE	CIGÜEÑAL
2	V836855559		1	GEAR	ENGRENAGE	ZAHNRAD	ENGRANAJE
3	V836855558		1	GEAR	ENGRENAGE	ZAHNRAD	ENGRANAJE
4	V836855525		1	KEY	CLAVETTE	STELLKEIL	CHAVETA
5	V836336302	STANDARD	6	BEARING	COUSSINET	LAGER	COJINETE
5	V836338650	Ø 72,731MM 72,750MM	X	BEARING	COUSSINET	LAGER	COJINETE
5	V836338651	Ø 72,481MM 72,500MM	X	BEARING	COUSSINET	LAGER	COJINETE
5	V836338652	Ø 71,981MM 72,000MM	X	BEARING	COUSSINET	LAGER	COJINETE
5	V836338653	Ø 71,481MM 71,500MM	X	BEARING	COUSSINET	LAGER	COJINETE
6	V836866182		6	PISTON	PISTON	KOLBEN	PISTON
7	V836840887	6	6	KIT, PISTON RING	JEU SEGM PISTON	KOLBENRINGSATZ	AROS.PIST.JUEGO
8	V836864101	2230-2249g E	X	CONROD	BIELLE	PLEUEL	BIELA
8	V836864102	2250-2269g F	X	CONROD	BIELLE	PLEUEL	BIELA
8	V836864103	2270-2289g G	X	CONROD	BIELLE	PLEUEL	BIELA
8	V836340948	2290-2309g H ⇒ V836864104	X	CONROD	BIELLE	PLEUEL	BIELA
8	V836864105	2310-2329g I	X	CONROD	BIELLE	PLEUEL	BIELA
8	V836864106	2330-2349g J	X	CONROD	BIELLE	PLEUEL	BIELA
8	V836864107	2350-2369g K	X	CONROD	BIELLE	PLEUEL	BIELA
9	V836864288	8	6	BUSH	BAGUE	RING	CASQUILLO
9	V836338606	8 Ø +0,5mm	X	BUSH	BAGUE	RING	CASQUILLO
10	V836864141	8	12	SCREW	VIS	SCHRAUBE	TORNILLO
11	V836840944	STANDARD	7	MAIN BEARING	COUSSINET PRINC	HAUPTLAGER	COJINETE PRINCIP
11	V836840978	Ø 89,735MM 89,770MM	X	MAIN BEARING	COUSSINET PRINC	HAUPTLAGER	COJINETE PRINCIP
11	V836840979	Ø 89,485MM 89,520MM	X	MAIN BEARING	COUSSINET PRINC	HAUPTLAGER	COJINETE PRINCIP
11	V836840980	Ø 88,985MM 89,020MM	X	MAIN BEARING	COUSSINET PRINC	HAUPTLAGER	COJINETE PRINCIP
11	V836840981	Ø 88,485MM 88,520MM	X	MAIN BEARING	COUSSINET PRINC	HAUPTLAGER	COJINETE PRINCIP
12	V836840945	STANDARD	2	THRUST WASHER	RONDELLE BUTEE	ANLAUFSCHEIBE	ARANDELA ACELER
12	V836840982	0,1MM	X	THRUST WASHER	RONDELLE BUTEE	ANLAUFSCHEIBE	ARANDELA ACELER
12	V836840983	0,2MM	X	THRUST WASHER	RONDELLE BUTEE	ANLAUFSCHEIBE	ARANDELA ACELER
13	V836855637		1	RING	ANNEAU	RING.	ANILLO
14	V836855641		1	HUB	MOYEU	NABE	CUBO
15	V836840882		1	SHOCK ABSORBER	AMORTISSEUR CHOC	STOSSDAEMPFER	AMORTIGUADOR
16	V836855690		1	PULLEY	POULIE	RIEMENSCHLEIBE	POLEA
17	V528902230		6	SCREW	VIS	SCHRAUBE	TORNILLO
18	V836322221		1	NUT	ECROU	MUTTER	TUERCA



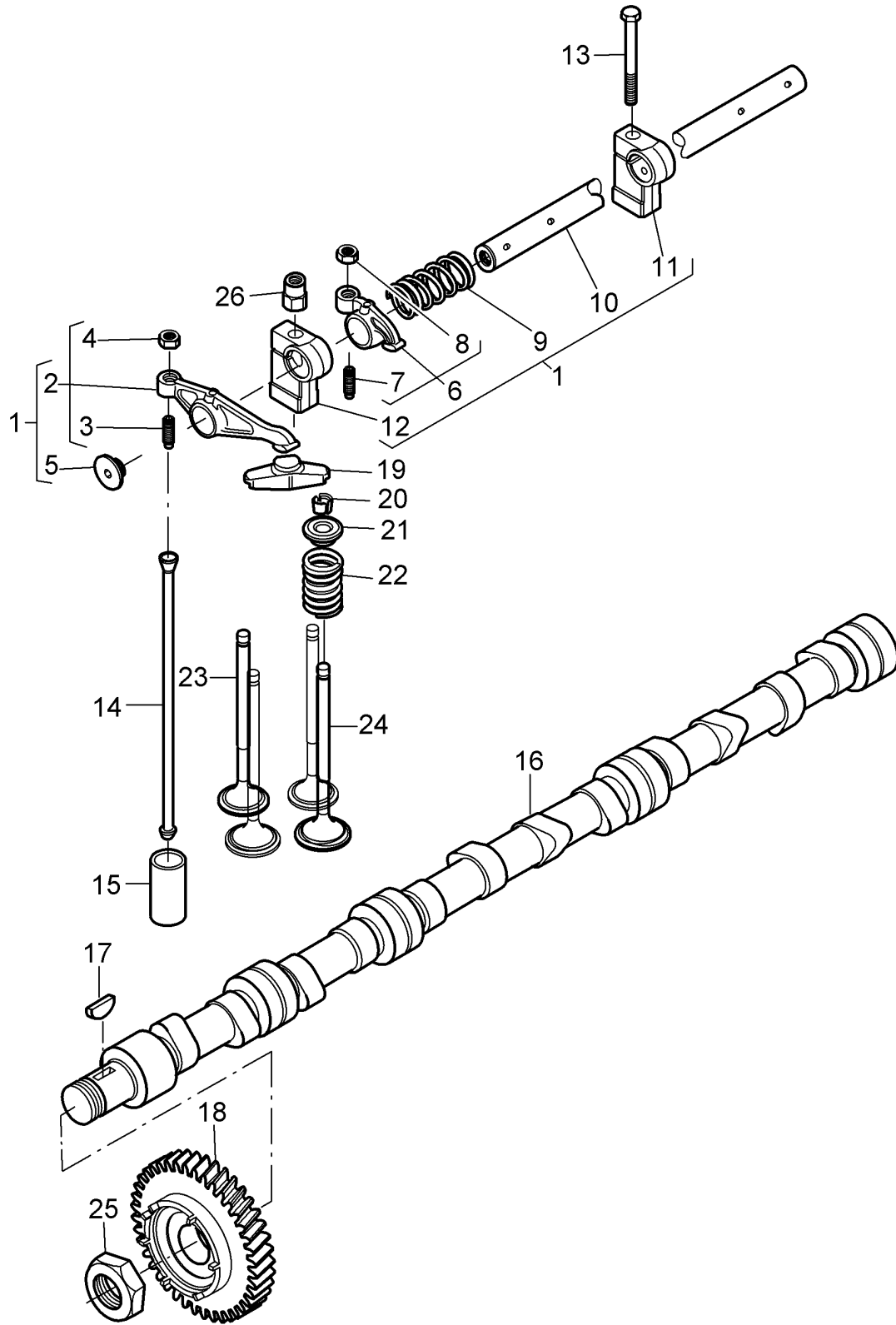
D-HB05-011-A

1	V837069088		1	CRANKSHAFT	VILEBREQUIN	KURBELWELLE	CIGÜEÑAL
2	V836840944		7	MAIN BEARING	COUSSINET PRINC	HAUPTLAGER	COJINETE PRINCIP
2	V836840978	Ø 89,735 MM	X	MAIN BEARING	COUSSINET PRINC	HAUPTLAGER	COJINETE PRINCIP
		89,770 MM					
2	V836840979	Ø 89,485 MM	X	MAIN BEARING	COUSSINET PRINC	HAUPTLAGER	COJINETE PRINCIP
		89,520 MM					
2	V836840980	Ø 88,985 MM	X	MAIN BEARING	COUSSINET PRINC	HAUPTLAGER	COJINETE PRINCIP
		89,020 MM					
2	V836840981	Ø 88,485 MM	X	MAIN BEARING	COUSSINET PRINC	HAUPTLAGER	COJINETE PRINCIP
		88,520 MM					
3	V836840945		2	THRUST WASHER	RONDELLE BUTEE	ANLAUFSCHIEBE	ARANDELA ACELER
3	V836840982	0,10 MM	X	THRUST WASHER	RONDELLE BUTEE	ANLAUFSCHIEBE	ARANDELA ACELER
3	V836840983	0,20 MM	X	THRUST WASHER	RONDELLE BUTEE	ANLAUFSCHIEBE	ARANDELA ACELER
4	V836855525		1	KEY	CLAVETTE	STELLKEIL	CHAVETA
5	V836855558	STANDARD	1	GEAR	ENGRENAGE	ZAHNRAD	ENGRANAJE
6	V837069060		1	GEAR	ENGRENAGE	ZAHNRAD	ENGRANAJE
7	V836340948		6	CONROD	BIELLE	PLEUEL	BIELA
7	V836864101	2230-2249g E	X	CONROD	BIELLE	PLEUEL	BIELA
7	V836864102	2250-2269g F	X	CONROD	BIELLE	PLEUEL	BIELA
7	V836864103	2270-2289g G	X	CONROD	BIELLE	PLEUEL	BIELA
7	V836864104	2290-2309g H	X	CONROD	BIELLE	PLEUEL	BIELA
7	V836864105	2310-2329g I	X	CONROD	BIELLE	PLEUEL	BIELA
7	V836864106	2330-2349g J	X	CONROD	BIELLE	PLEUEL	BIELA
7	V836864107	2350-2369g K	X	CONROD	BIELLE	PLEUEL	BIELA
8	V836864288	7	6	BUSH	BAGUE	RING	CASQUILLO
8	V836338606	Ø + 0,5 MM	X	BUSH	BAGUE	RING	CASQUILLO
9	V836864141	7	12	SCREW	VIS	SCHRAUBE	TORNILLO
10	V836336302		6	BEARING	COUSSINET	LAGER	COJINETE
10	V836338650	Ø 72,731 MM	X	BEARING	COUSSINET	LAGER	COJINETE
		72,750 MM					
10	V836338651	Ø 72,481 MM	X	BEARING	COUSSINET	LAGER	COJINETE
		72,500 MM					
10	V836338652	Ø 71,981 MM	X	BEARING	COUSSINET	LAGER	COJINETE
		72,000 MM					
10	V836338653	Ø 71,481 MM	X	BEARING	COUSSINET	LAGER	COJINETE
		71,500 MM					
11	V837070185	STANDARD	6	PISTON	PISTON	KOLBEN	PISTON
12		REF. 11	12	CIRCLIP	CIRCLIP	SEEGERING	GRAPA CIRCULAR
13		REF. 11	6	CLEVIS PIN	AXE	SPLINTBOLZEN	BULON CILINDRICO
14	V836840887		6	KIT, PISTON RING	JEU SEGM PISTON	KOLBENRINGSATZ	AROS.PIST.JUEGO
15	V836855637		1	RING	ANNEAU	RING.	ANILLO
16	V836855641		1	HUB	MOYEU	NABE	CUBO
17	V836840882	M12 X 40	1	SHOCK ABSORBER	AMORTISSEUR CHOC	STOSSDAEMPFER	AMORTIGUADOR
18	V836855690		1	PULLEY	POULIE	RIEMENSCHIEBE	POLEA
19	V836322221		1	NUT	ECROU	MUTTER	TUERCA
20	V528902230	M12 X 40	6	SCREW	VIS	SCHRAUBE	TORNILLO



D-HB06-006-B

1	V83666610		2	ROCKER SHAFT	AXE DE CULBUTEUR	KIPPHEBELASCHE	EJE BALANCINES
2	V83666608	1	12	ROCKER	CULBUTEUR	KIPPEBEL	BALANCIN
3	V512861000	2	12	NUT	ECROU	MUTTER	TUERCA
4	V836655866	2	12	ADJUSTING SCREW	VIS REGLAGE	EINSTELLSCHRAUBE	TORNILLO AJUSTA
5	V836655869	1	6	BRACKET	SUPPORT FIXATION	HALTEARM	SOPORTE
5	V83666609	1	6	BRACKET	SUPPORT FIXATION	HALTEARM	SOPORTE
6	V836655884	1	4	SPRING	RESSORT	FEDER	MUELLE
7	V836655870	1	2	SHAFT	ARBRE	WELLE	ARBOL
8	V836655899	1	4	PLUG	BOUCHON	STOPFEN	TAPON
9	V836655406		4	NUT	ECROU	MUTTER	TUERCA
10	V529801910		2	SCREW	VIS	SCHRAUBE	TORNILLO
11	V836324661	∅ + 0,4 mm	1	BUSH	BAGUE	RING	CASQUILLO
11	V836862528		1	CAMSHAFT	ARBRE A CAMES	NOCKENWELLE	ARBOL DE LEVAS
12	V836646382		24	COTTER	BICONE	SPLINT	PASADOR ABIERTO
13	V836646381		12	CUP	COUPELLE	LAUFRING	CUBETA
13	V836652269	∅ + 0,2 mm Exhaust Echapp.	x	RING	ANNEAU	RING.	ANILLO
13	V836855347	∅ + 0,2 mm Inlet Admiss.	x	RING	ANNEAU	RING.	ANILLO
14	V836646380		12	SPRING	RESSORT	FEDER	MUELLE
15	V836646356		6	INLET VALVE	SOUPAPE ADMISSION	EINLASSVENTIL	VALVULA ADMISION
16	V836646357		6	EXHAUST VALVE	SOUPAPE ECHAPP	AUSLASSVENTIL	VALVULA ESCAPE
17	V836855568		1	GEAR	ENGRENAGE	ZAHNRAD	ENGRANAJE
18	V603305760		1	KEY	CLAVETTE	STELLKEIL	CHAVETA
19	V836014264		12	TAPPET	POUSSOIR SOUPAPE	VENTILSTOESSEL	EMPUJADOR VALVU.
20	V836355872		12	ROD	TRINGLE	STANGE	VARILLA

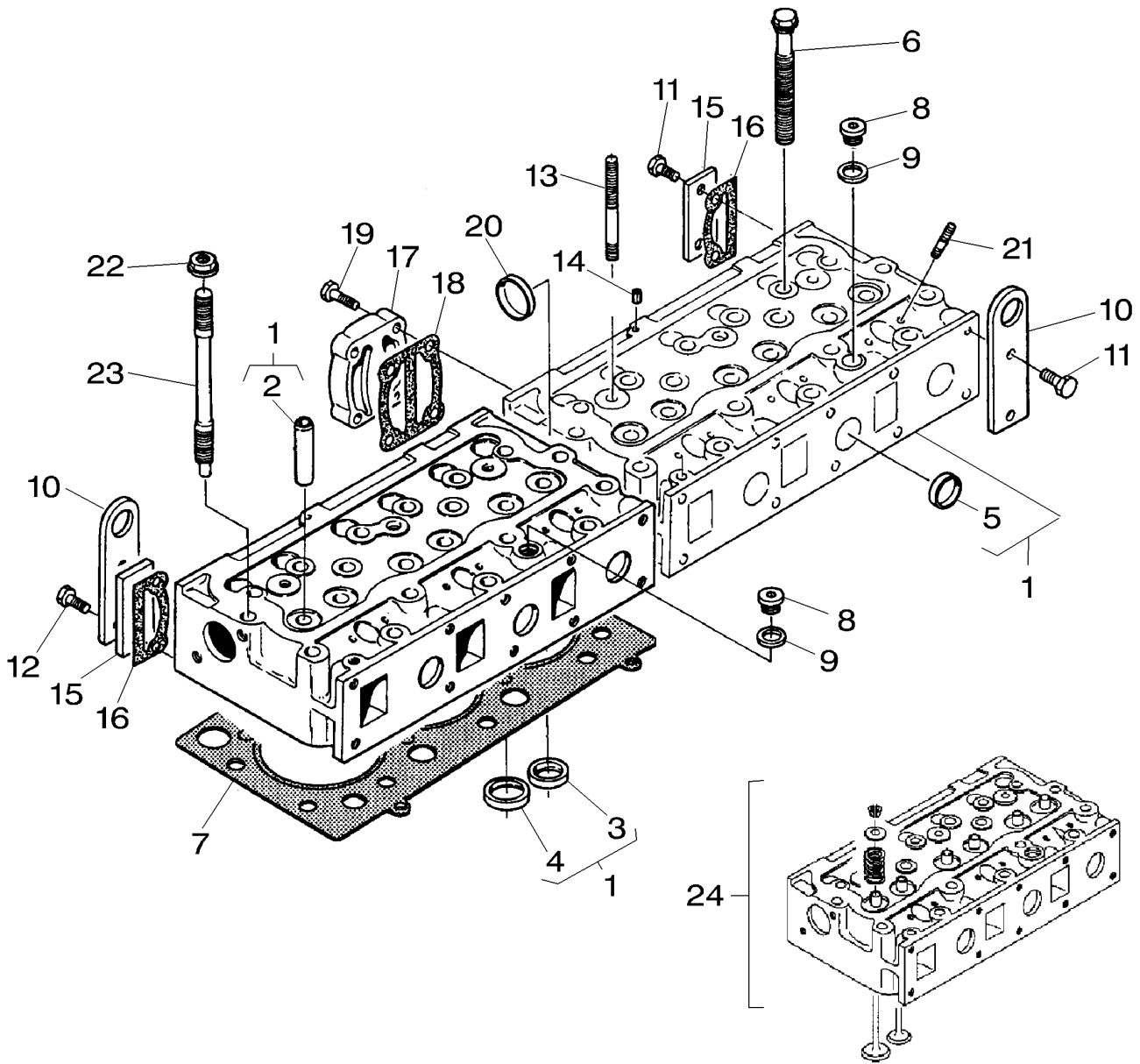


D-HB06-007-A

1	V837069016		1	ROCKER SHAFT	AXE DE CULBUTEUR	KIPPHEBELASCHE	EJE BALANCINES
2	V837069011	1 [A]	1	ROCKER	CULBUTEUR	KIPPEBEL	BALANCIN
3	V837069023	2	6	ADJUSTING SCREW	VIS REGLAGE	EINSTELLSCHRAUBE	TORNILLO AJUSTA
4	V512861000	2	6	NUT	ECROU	MUTTER	TUERCA
5	V837069020	1	4	PLUG	BOUCHON	STOPFEN	TAPON
6	V837069013	1 [B]	6	ROCKER	CULBUTEUR	KIPPHEBEL	BALANCIN
7	V837069023	6	6	ADJUSTING SCREW	VIS REGLAGE	EINSTELLSCHRAUBE	TORNILLO AJUSTA
8	V512861000	6	6	NUT	ECROU	MUTTER	TUERCA
9	V837069019	1	4	SPRING	RESSORT	FEDER	MUELLE
10	V837069015	1	2	ROCKER SHAFT	AXE DE CULBUTEUR	KIPPHEBELASCHE	EJE BALANCINES
11	V837069018	1	2	BRACKET	SUPPORT FIXATION	HALTEAM	SOPORTE
12	V837069017	1	4	BRACKET	SUPPORT FIXATION	HALTEAM	SOPORTE
13	V529801920	M10 X 85	2	SCREW	VIS	SCHRAUBE	TORNILLO
14	V837069014		12	PUSHROD	TIGE POUSSEE	STOESSELSTANGE.	VAR. CONTRAPUNTA
15	V836014264		12	TAPPET	POUSSOIR SOUPAPE	VENTILSTOESSEL	EMPUJADOR VALVU.
16	V837070148		1	CAMSHAFT	ARBRE A CAMES	NOCKENWELLE	ARBOL DE LEVAS
17	V603305760		1	KEY	CLAVETTE	STELLKEIL	CHAVETA
18	V837070036		1	GEAR	ENGRENAGE	ZAHNRAD	ENGRANAJE
19	V837069006		12	GUIDE	GUIDE	FUEHRUNG	GUIA
20	V837064910		48	COTTER	BICONE	SPLINT	PASADOR ABIERTO
21	V837069004		24	SPRING SEAT	CUVETTE DE RESST	FEDERTELLER	ASIENTO RESORTES
22	V837069005		24	SPRING	RESSORT	FEDER	MUELLE
23	V837069002		12	EXHAUST VALVE	SOUPAPE ECHAPP	AUSLASSVENTIL	VALVULA ESCAPE
24	V837069003		12	INLET VALVE	SOUPAPE ADMISS	EINLASSVENTIL	VALVULA ADMISION
25	V837069085		1	NUT	ECROU	MUTTER	TUERCA
26	V836655406		4	NUT	ECROU	MUTTER	TUERCA

[A] FOR VALVE INLET
POUR SOUPAPE ADMISSION
FUER EINLASSVENTIL
POR VALVULA ADMISION

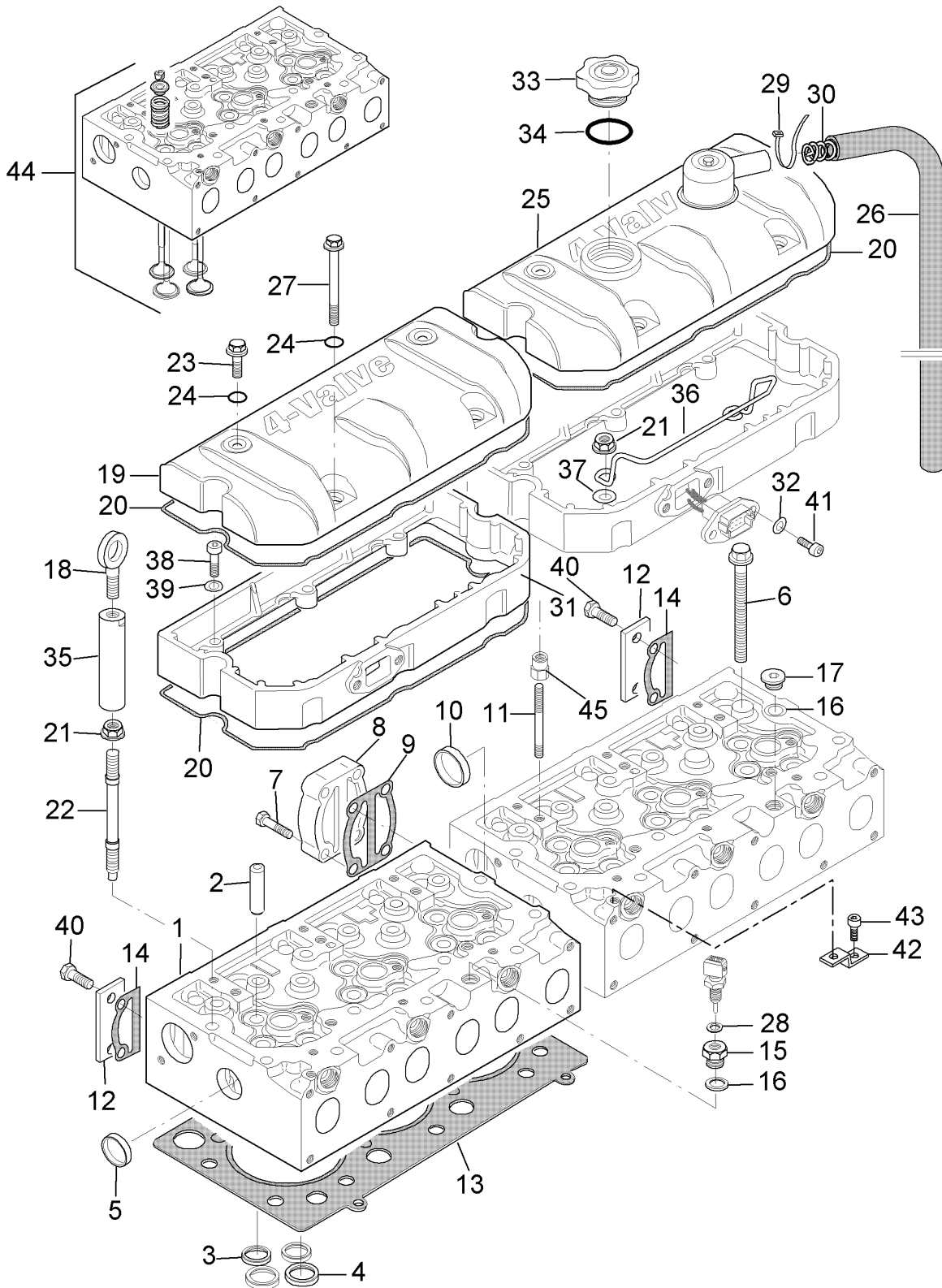
[B] FOR VALVE EXHAUST
POUR SOUPAPE ECHAPPEMENT
FUER AUSLASSVENTIL
POR VALVULA ESCAPE



D-HB07-004-C

1	V836855381		2	CYLINDER HEAD	CULASSE	ZYLINDERKOPF	CULATA CILINDRO
2	V836647601	1	12	GUIDE	GUIDE	FUEHRUNG	GUIA
3	V836647600	1 EXHAUST	6	VALVE SEAT	SIEGE SOUPAPE	VENTILSITZ	ASIENTO VALVULA
4	V836647936	1 INLET	6	VALVE SEAT	SIEGE SOUPAPE	VENTILSITZ	ASIENTO VALVULA
5	V836647942	1	10	PLUG	BOUCHON	STOPFEN	TAPON
6	V836859104		32	SCREW	VIS	SCHRAUBE	TORNILLO
7	V83666302	[A] ●○ v836664155	2	HEAD GASKET	JOINT CULASSE	ZYL.KOPFDICHTUNG	JUNTA DE CULATA
8	V640325018		1	PLUG	BOUCHON	STOPFEN	TAPON
9	V615881822	[A]	1	SEAL	JOINT ETANCHEITE	DICHTRING	JUNTA REDONDA
10	V836859722	⇒ V836855349	2	PLATE	PLAQUE	PLATTE	PLATO
11	V528801800	M10X25	4	SCREW	VIS	SCHRAUBE	TORNILLO
12	V528801820	M10X35	2	SCREW	VIS	SCHRAUBE	TORNILLO
13	V546801900	M10X75	4	STUD	GOUJON	STEBBOLZEN	ESPARRAGO ROSCA.
14	V595959140		2	PIN	GOUPILLE	STIFT	PASADOR
15	V836855350		2	PLATE	PLAQUE	PLATTE	PLATO
16	V836837391	[A] ●○ v836855417 ⇒ V836866215	2	GASKET	JOINT	FLACHDICHTUNG	JUNTA PLANA
17	V836855348		1	CONNECTOR	BORNE.	DOPPELNIPPEL	CONECTOR
18	V836867390	[A] ●○ v836855418 ⇒ V836866214	1	GASKET	JOINT	FLACHDICHTUNG	JUNTA PLANA
19	V528901830		4	SCREW	VIS	SCHRAUBE	TORNILLO
20	V640016045		1	PLUG	BOUCHON	STOPFEN	TAPON
21	V546901435	M8X40	21	STUD	GOUJON	STEBBOLZEN	ESPARRAGO ROSCA.
22	V836859110		2	NUT	ECROU	MUTTER	TUERCA
23	V836859109		2	STUD	GOUJON	STEBBOLZEN	ESPARRAGO ROSCA.
24	V836640897		2	CYLINDER HEAD	CULASSE	ZYLINDERKOPF	CULATA CILINDRO

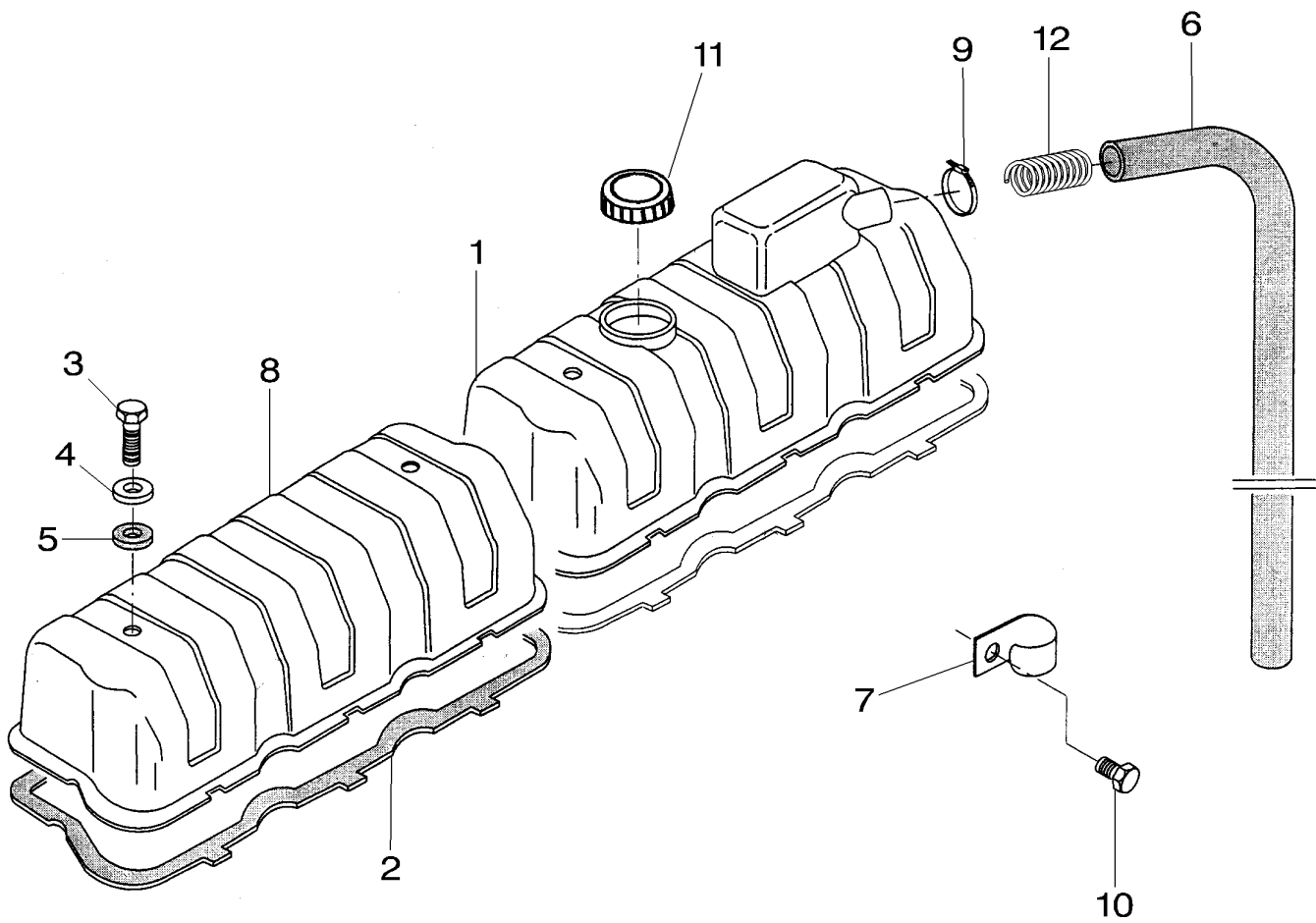
[A] INCLUDED IN V836840993
 COMPRIS DANS V836840993
 ENTHALTEN IN V836840993
 INCLUYE EN V836840993



D-HB07-005-A

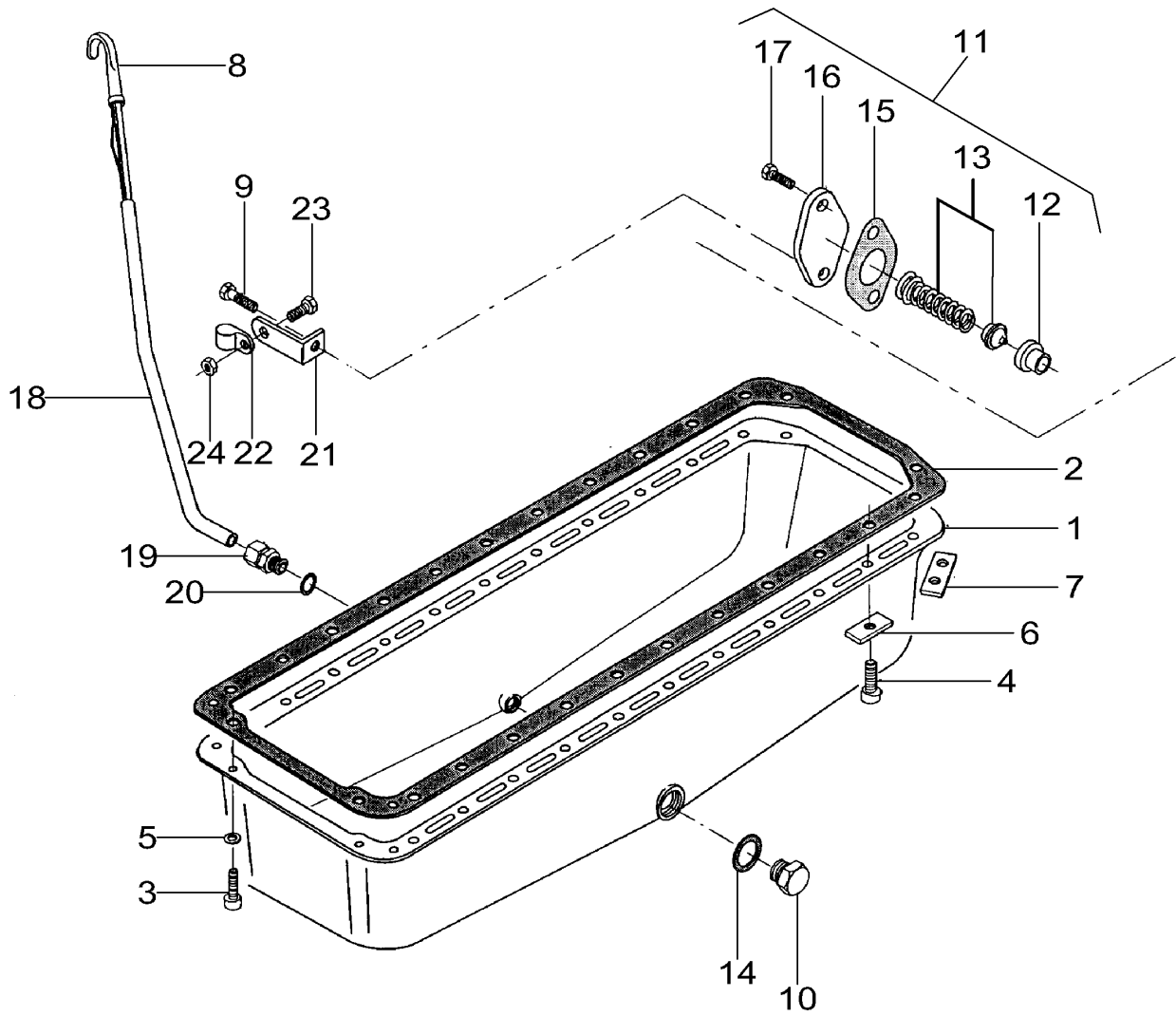
1	V837069001		2	CYLINDER HEAD	CULASSE	ZYLINDERKOPF	CULATA CILINDRO
2	V837064906	1	24	VALVE GUIDE	GUIDE DE SOUPAPE	VENTILFUEHRUNG	VALVE GUIDE
3	V837064907	1 EXHAUST	12	VALVE SEAT	SIEGE SOUPAPE	VENTILSITZ	ASIENTO VALVULA
4	V837064908	1 INLET	12	VALVE SEAT	SIEGE SOUPAPE	VENTILSITZ	ASIENTO VALVULA
5	V836647942	1	4	PLUG	BOUCHON	STOPFEN	TAPON
6	V837069025		27	SCREW	VIS	SCHRAUBE	TORNILLO
7	V528801830	M10X40	4	SCREW	VIS	SCHRAUBE	TORNILLO
8	V836855348		1	CONNECTOR	BORNE.	DOPELNIPPEL	CONECTOR
9	V836867390	[A]	1	GASKET	JOINT	FLACHDICHTUNG	JUNTA PLANA
10	V640016045		1	PLUG	BOUCHON	STOPFEN	TAPON
11	V546801900	M10X75	4	STUD	GOUJON	STEBBOLZEN	ESPARRAGO ROSCA.
12	V836855350		2	PLATE	PLAQUE	PLATTE	PLATO
13	V837070290	[A]	2	HEAD GASKET	JOINT CULASSE	ZYL.KOPFDICHTUNG	JUNTA DE CULATA
14	V836867391	[A]	2	GASKET	JOINT	FLACHDICHTUNG	JUNTA PLANA
15	V836119643		1	PLUG	BOUCHON	STOPFEN	TAPON
16	V615881822	[A]	2	SEAL	JOINT ETANCHEITE	DICHTRING	JUNTA REDONDA
17	V640325018		1	PLUG	BOUCHON	STOPFEN	TAPON
18	V836640752		2	SHACKLE	MANILLE	SCHAEKEL	TRABA
19	V837069022		1	COVER	COUVERCLE	ABDECKUNG.	CUBIERTA
20	V837069024	[A]	4	GASKET	JOINT	FLACHDICHTUNG	JUNTA PLANA
21	V836859110		9	NUT	ECROU	MUTTER	TUERCA
22	V836859109		7	STUD	GOUJON	STEBBOLZEN	ESPARRAGO ROSCA.
23	V540801780	M10X20	4	SCREW	VIS	SCHRAUBE	TORNILLO
24	V614901030	[A]	8	O RING	JOINT TORIQUE	O-RING	JUNTA TOROIDAL
25	V837070194		1	COVER	COUVERCLE	ABDECKUNG.	CUBIERTA
26	V837070346	◀ 1150MM	1	PIPE	TUYAU	TUBE	TUBO
27	V540801910	M10X80	4	SCREW	VIS	SCHRAUBE	TORNILLO
28	V615881418	[A]	1	SEAL	JOINT ETANCHEITE	DICHTRING	JUNTA REDONDA
29	V835329746		1	CABLE TIE	ATTACHE CABLE	KABELBINDER	APRIETACABLES
30	V837070343		1	SPRING	RESSORT	FEDER	MUELLE
31	V837069021		2	FRAME	BATI	RAHMEN	BASTIDOR
32	V500150842		4	WASHER	RONDELLE	SCHEIBE	ARANDELA
33	V836338733		1	PLUG	BOUCHON	STOPFEN	TAPON
34	V614604740	[A]	1	O RING	JOINT TORIQUE	O-RING	JUNTA TOROIDAL
35	V836867567	M12/M16	2	NUT	ECROU	MUTTER	TUERCA
36	V837069026		1	BRACKET	SUPPORT FIXATION	HALTEARM	SOPORTE
37	V500951200		4	WASHER	RONDELLE	SCHEIBE	ARANDELA
38	V581804630	M8X30	6	SCREW	VIS	SCHRAUBE	TORNILLO
39	V500950800		6	WASHER	RONDELLE	SCHEIBE	ARANDELA
40	V528801800	M10X25	4	SCREW	VIS	SCHRAUBE	TORNILLO
41	V581804602	M8X20	4	SCREW	VIS	SCHRAUBE	TORNILLO
42	V836747849		1	BRACKET	SUPPORT FIXATION	HALTEARM	SOPORTE
43	V581804582	M8X16	1	SCREW	VIS	SCHRAUBE	TORNILLO
44	V837062565		2	CYLINDER HEAD	CULASSE	ZYLINDERKOPF	CULATA CILINDRO
45	👁 8-12 No		X	NUT	ECROU	MUTTER	TUERCA

[A] INCLUDED IN KIT V837062627
INCLUS DANS JEU V837062627
ENTHALTEN IN KIT V837062627
INCLUYE EN KIT V837062627



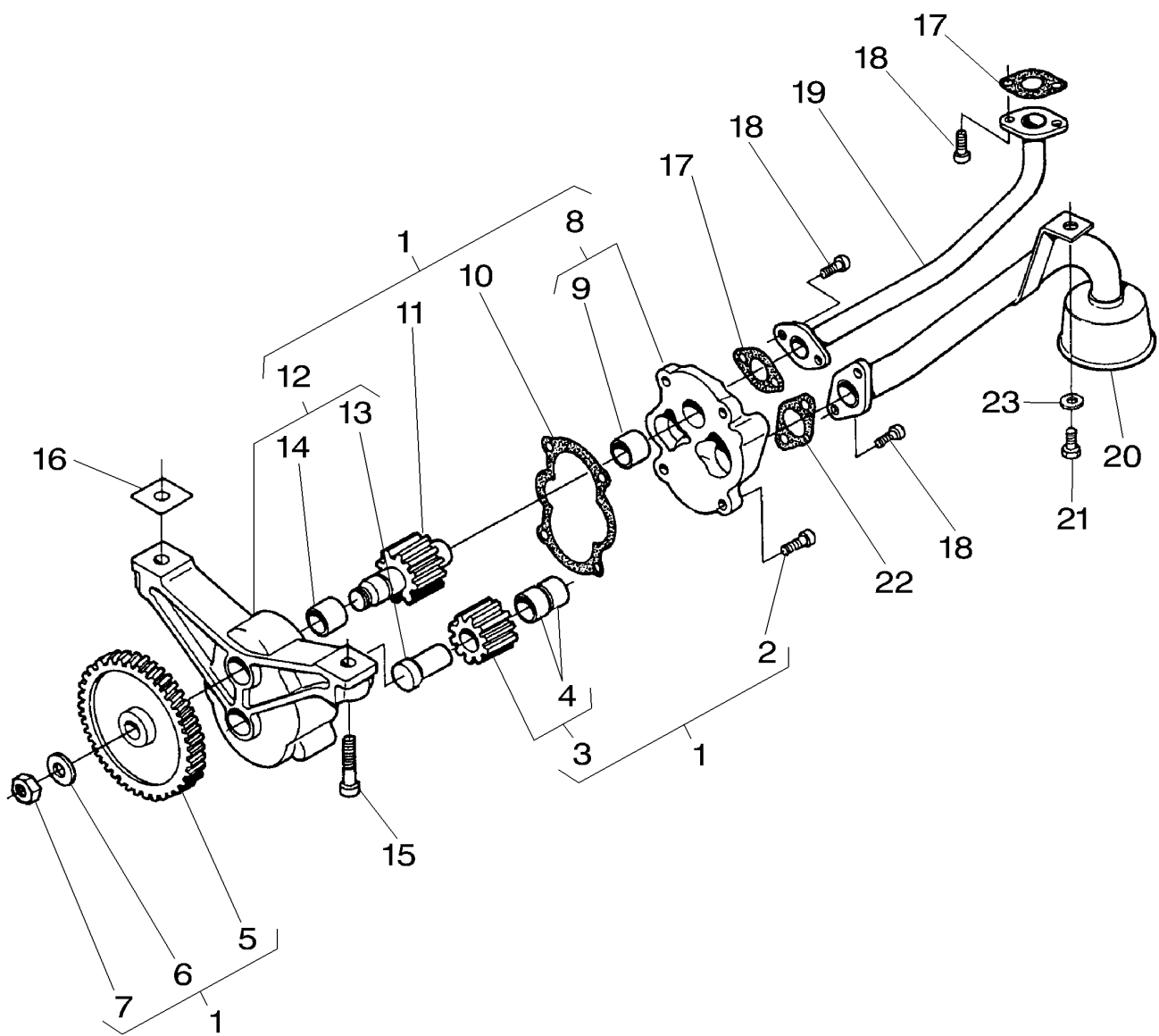
D-HB08-007-C

1	V836859626		1	VALVE COVER	CACHE CULBUTEURS	VENTILDECKEL	CUBRE VALVULA
2	V836646360	[A]	2	GASKET	JOINT	FLACHDICHTUNG	JUNTA PLANA
3	V528801780	M10X20	4	SCREW	VIS	SCHRAUBE	TORNILLO
4	V836119855		4	WASHER	RONDELLE	SCHEIBE	ARANDELA
5	V836012841	[A]	4	GASKET	JOINT	FLACHDICHTUNG	JUNTA PLANA
6	V836659529		1	HOSE FLEXIBLE	TUYAU FLEXIBLE	GUMMISCHLAUCH	MANGUERA FLEX
7	V836659539		1	BAND	BANDE	BAND	BANDA
8	V836846448		1	VALVE COVER	CACHE CULBUTEURS	VENTILDECKEL	CUBRE VALVULA
9	V651754720		1	CABLE TIE	ATTACHE CABLE	KABELBINDER	APRIETACABLES
10	V528801740	M10X10	1	SCREW	VIS	SCHRAUBE	TORNILLO
11	V836659697		1	CAP	CHAPEAU	KAPPE	TAPA
12	V836859587		1	SPRING	RESSORT	FEDER	MUELLE
[A] INCLUDED IN V836840993							
COMPRIS DANS V836840993							
ENTHALTEN IN V836840993							
INCLUYE EN V836840993							



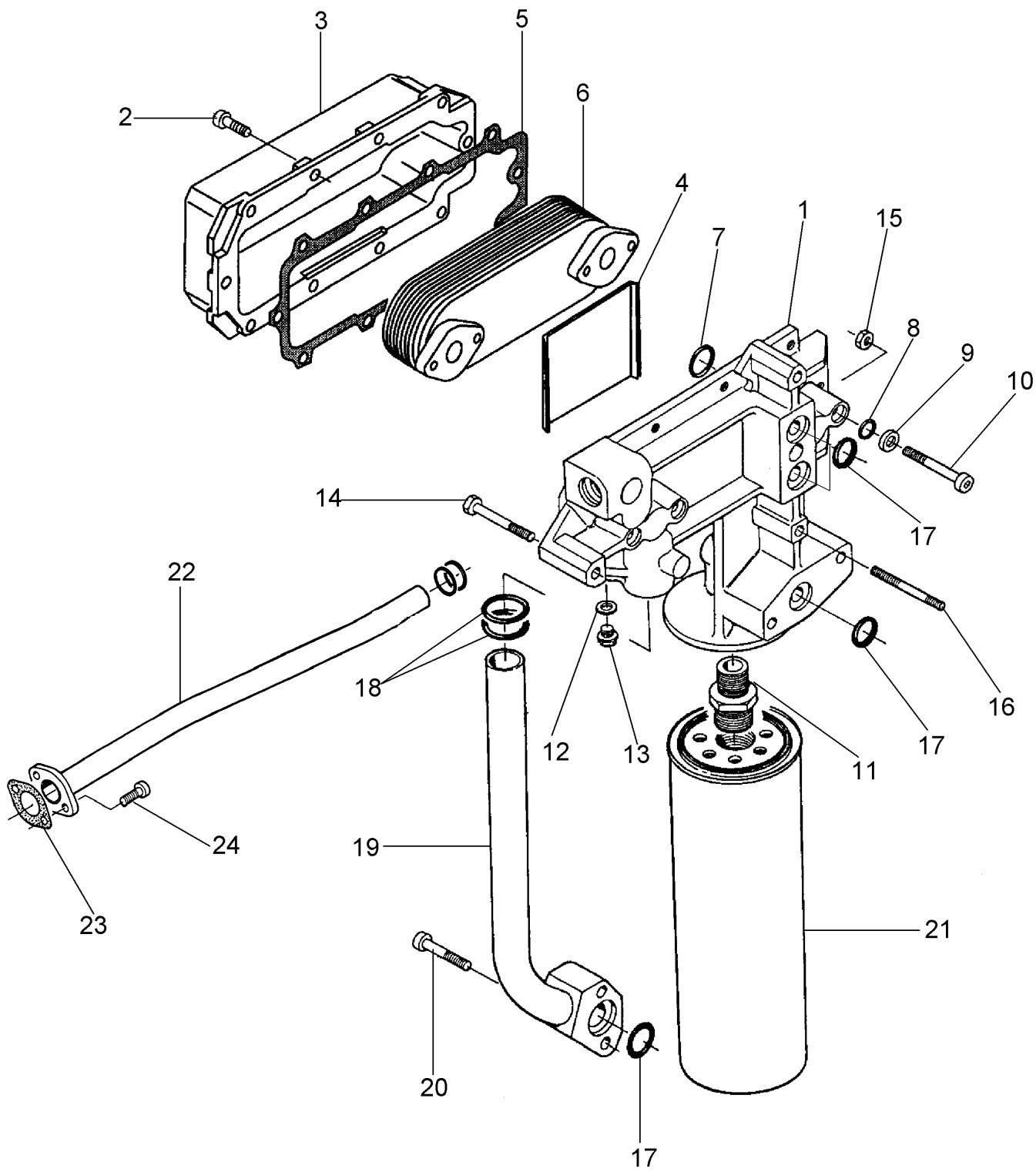
D-HB10-010-B

1	V836347308		1	OIL SUMP	CARTER D HUILE	OELWANNE	CARTER
2	V836322538		1	GASKET	JOINT	FLACHDICHTUNG	JUNTA PLANA
3	V581804600		4	SCREW	VIS	SCHRAUBE	TORNILLO
4	V581805000		24	SCREW	VIS	SCHRAUBE	TORNILLO
5	V500950800		4	WASHER	RONDELLE	SCHEIBE	ARANDELA
6	V836859560		20	WASHER	RONDELLE	SCHEIBE	ARANDELA
7	V836859561		2	WASHER	RONDELLE	SCHEIBE	ARANDELA
8	V836346298		1	DIPSTICK	JAUGE	MESSTAB	VARILLA ACEITE
9	V529801430		1	SCREW	VIS	SCHRAUBE	TORNILLO
10	V640045022		1	PLUG	BOUCHON	STOPFEN	TAPON
11	V836662130		1	CONTROL VALVE	SOUPAPE COMMANDE	STEUERVENTIL	VALVULA CONTROL
12	V836659521	11	1	VALVE SEAT	SIEGE SOUPAPE	VENTILSITZ	ASIENTO VALVULA
13	V836667650	11	1	KIT, VALVE	JEU SOUPAPES	VENTILSATZ	KIT VALVULAS
14	V615882227		1	GASKET	JOINT	FLACHDICHTUNG	JUNTA PLANA
15	V836322190	11	1	GASKET	JOINT	FLACHDICHTUNG	JUNTA PLANA
16	V836659524	11	1	COVER	COUVERCLE	ABDECKUNG.	CUBIERTA
17	V528801380	11	1	SCREW	VIS	SCHRAUBE	TORNILLO
18	V836859563		1	PIPE	TUYAU	TUBE	TUBO
19	V641086012		1	UNION	RACCORD	VERSCHRAUBUNG	RACOR
20	V615881620		1	SEAL	JOINT ETANCHEITE	DICHTRING	JUNTA REDONDA
21	V836652081		1	SUPPORT	SUPPORT	TRAGER	SOPORTE
22	V602060612		1	FASTENER	AGRAFE	KLAMMER	GRAPA
23	V528801380		1	SCREW	VIS	SCHRAUBE	TORNILLO
24	V504800800		1	NUT	ECROU	MUTTER	TUERCA



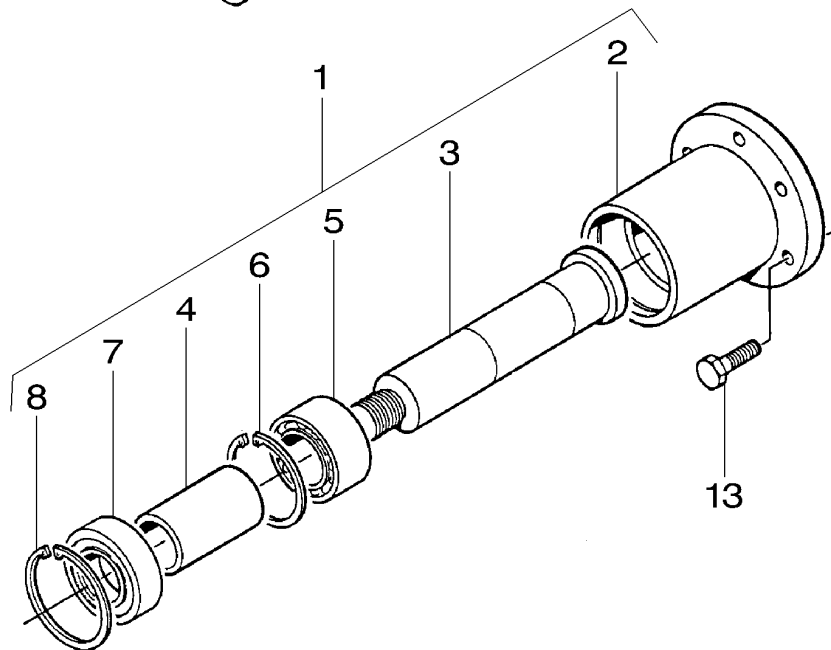
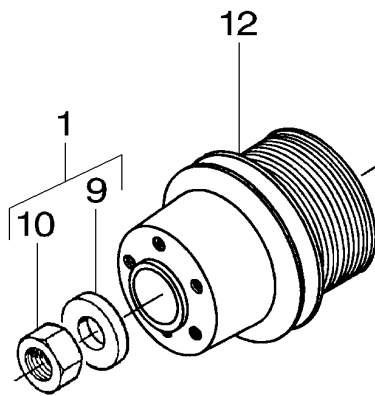
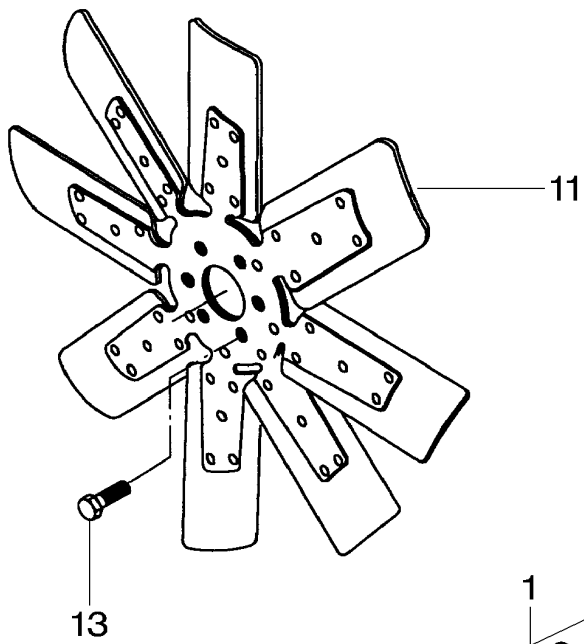
D-HB11-006-B

Engine Part No.	Engine Description	Oil Pump Part No.	Oil Pump Description	Oil Pump Description	Oil Pump Description	
1	V836855300	1	OIL PUMP	POMPE A HUILE	OELPUMPE	BOMBA DE ACEITE
2	V528801380	4	SCREW	VIS	SCHRAUBE	TORNILLO
3	V836338180	1	GEAR	ENGRENAGE	ZAHNRAD	ENGRANAJE
4	V836322909	3	BUSH	BAGUE	RING	CASQUILLO
5	V836338667	1	GEAR	ENGRENAGE	ZAHNRAD	ENGRANAJE
6	V836122910	1	WASHER	RONDELLE	SCHEIBE	ARANDELA
7	V504861000	1	NUT	ECROU	MUTTER	TUERCA
8	V836855297	1	COVER	COUVERCLE	ABDECKUNG.	CUBIERTA
9	V836322909	8	BUSH	BAGUE	RING	CASQUILLO
10	V836338188	1	GASKET	JOINT	FLACHDICHTUNG	JUNTA PLANA
11	V836338182	1	GEAR	ENGRENAGE	ZAHNRAD	ENGRANAJE
12	V836338186	1	FRAME	BATI	RAHMEN	BASTIDOR
13	V836322906	12	SHAFT	ARBRE	WELLE	ARBOL
14	V836322909	12	BUSH	BAGUE	RING	CASQUILLO
15	V581805050	2	SCREW	VIS	SCHRAUBE	TORNILLO
16	V836007871	X	SHIM	CALE REGLAGE	AUSGLEICHSCHEIBE	CALCE
17	V836008449	2	GASKET	JOINT	FLACHDICHTUNG	JUNTA PLANA
18	V581804600	6	SCREW	VIS	SCHRAUBE	TORNILLO
19	V836855673	1	PIPE	TUYAU	TUBE	TUBO
20	V836855674	1	STRAINER	CREPINE	SAUGKORB	ALCACHOFA
21	V528801360	1	SCREW	VIS	SCHRAUBE	TORNILLO
22	V836338201	1	GASKET	JOINT	FLACHDICHTUNG	JUNTA PLANA
23	V500150840	1	WASHER	RONDELLE	SCHEIBE	ARANDELA

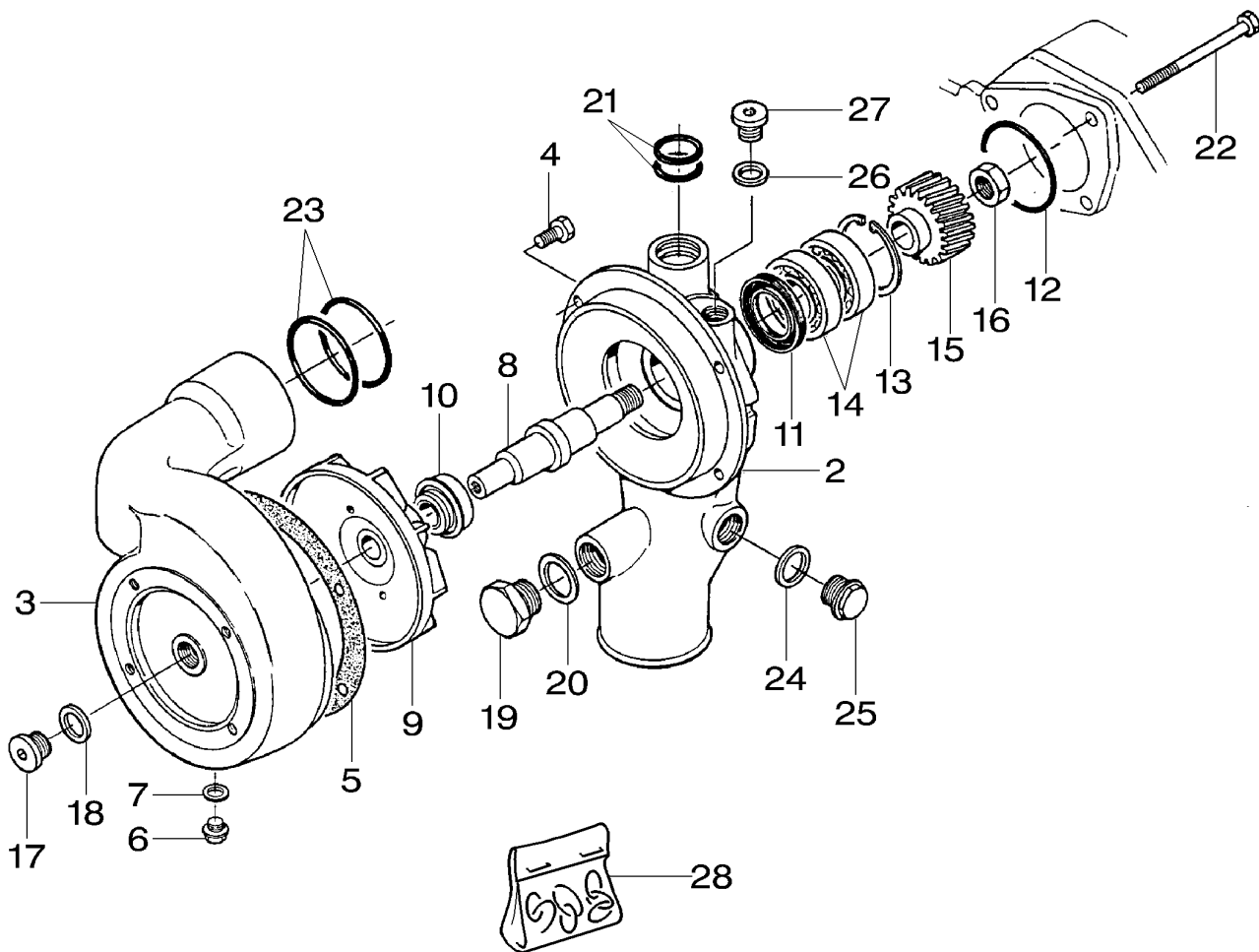


D-HB12-006-C

1	V836855522		1	OIL COOLER	REFROIDISS HUILE	OELKUEHLER	REFRIG DE ACEIT
2	V581804620	1 M8X25	10	SCREW	VIS	SCHRAUBE	TORNILLO
3	V836855519	1	1	HOUSING	CARTER	GEHAEUSE	ALOJAMIENTO
4	V836855521	1	1	GUIDE	GUIDE	FUEHRUNG	GUIA
5	V836855520	1	1	GASKET	JOINT	FLACHDICHTUNG	JUNTA PLANA
6	V836855484	1	1	ELEMENT	ELEMENT	ELEMENT	ELEMENTO
7	V614602030	1	2	O RING	JOINT TORIQUE	O-RING	JUNTA TOROIDAL
8	V614600724	1	4	O RING	JOINT TORIQUE	O-RING	JUNTA TOROIDAL
9	V836855517	1	4	WASHER	RONDELLE	SCHEIBE	ARANDELA
10	V581804690	1 M8X60	4	SCREW	VIS	SCHRAUBE	TORNILLO
11	V836338512	1	1	UNION	RACCORD	VERSCHRAUBUNG	RACOR
12	V615881216	1	1	GASKET	JOINT	FLACHDICHTUNG	JUNTA PLANA
13	V640305012	1	1	PLUG	BOUCHON	STOPFEN	TAPON
14	V581804690	M8X60	4	SCREW	VIS	SCHRAUBE	TORNILLO
15	V504800800	M8	1	NUT	ECROU	MUTTER	TUERCA
16	V546801490	M8X70	1	BOLT	BOULON	BOLZEN	BULON
17	V614602030		4	O RING	JOINT TORIQUE	O-RING	JUNTA TOROIDAL
18	V614602430		2	O RING	JOINT TORIQUE	O-RING	JUNTA TOROIDAL
19	V836855523		1	PIPE	TUYAU	TUBE	TUBO
20	V581804650	M8X40	2	SCREW	VIS	SCHRAUBE	TORNILLO
21	V836336459	FOR ENG 645DBAEL	1	OIL FILTER	FILTRE HUILE	OELFILTER	FILTRO DE ACEITE
21	V836362567	▶ ENG 84CTA-4V (36459)	1	OIL FILTER	FILTRE HUILE	OELFILTER	FILTRO DE ACEITE
22	V836855639		1	PIPE	TUYAU	TUBE	TUBO
23	V836322190		1	GASKET	JOINT	FLACHDICHTUNG	JUNTA PLANA
24	V581804600		1	SCREW	VIS	SCHRAUBE	TORNILLO



1	V836855762		1	KIT, SHAFT	JEU ARBRE	WELLEN-SATZ	JUEGO DE ARBOL
2	V836855758	1	1	HUB	MOYEU	NABE	CUBO
3	V836855755	1	1	SHAFT	ARBRE	WELLE	ARBOL
4	V836855757	1	1	SLEEVE	MANCHON	HUELSE	MANGUITO
5	V610032060	1	1	BEARING ASSY	ROULEMENT	RADIALLAGER	RODAMIENTO RAD
6	V617350062	1	1	CIRCLIP	CIRCLIP	SEEGERING	GRAPA CIRCULAR
7	V610063064	1	1	BEARING ASSY	ROULEMENT	RADIALLAGER	RODAMIENTO RAD
8	V617330072	1	1	CIRCLIP	CIRCLIP	SEEGERING	GRAPA CIRCULAR
9	V836855756	1	1	WASHER	RONDELLE	SCHEIBE	ARANDELA
10	V504602002	1	1	NUT	ECROU	MUTTER	TUERCA
11	V836867656		1	FAN	VENTILATEUR	LÜFTER	VENTILADOR
12	V836866029		1	PULLEY	POULIE	RIEMENSCHLEIBE	POLEA
13	V528801810		12	SCREW	VIS	SCHRAUBE	TORNILLO



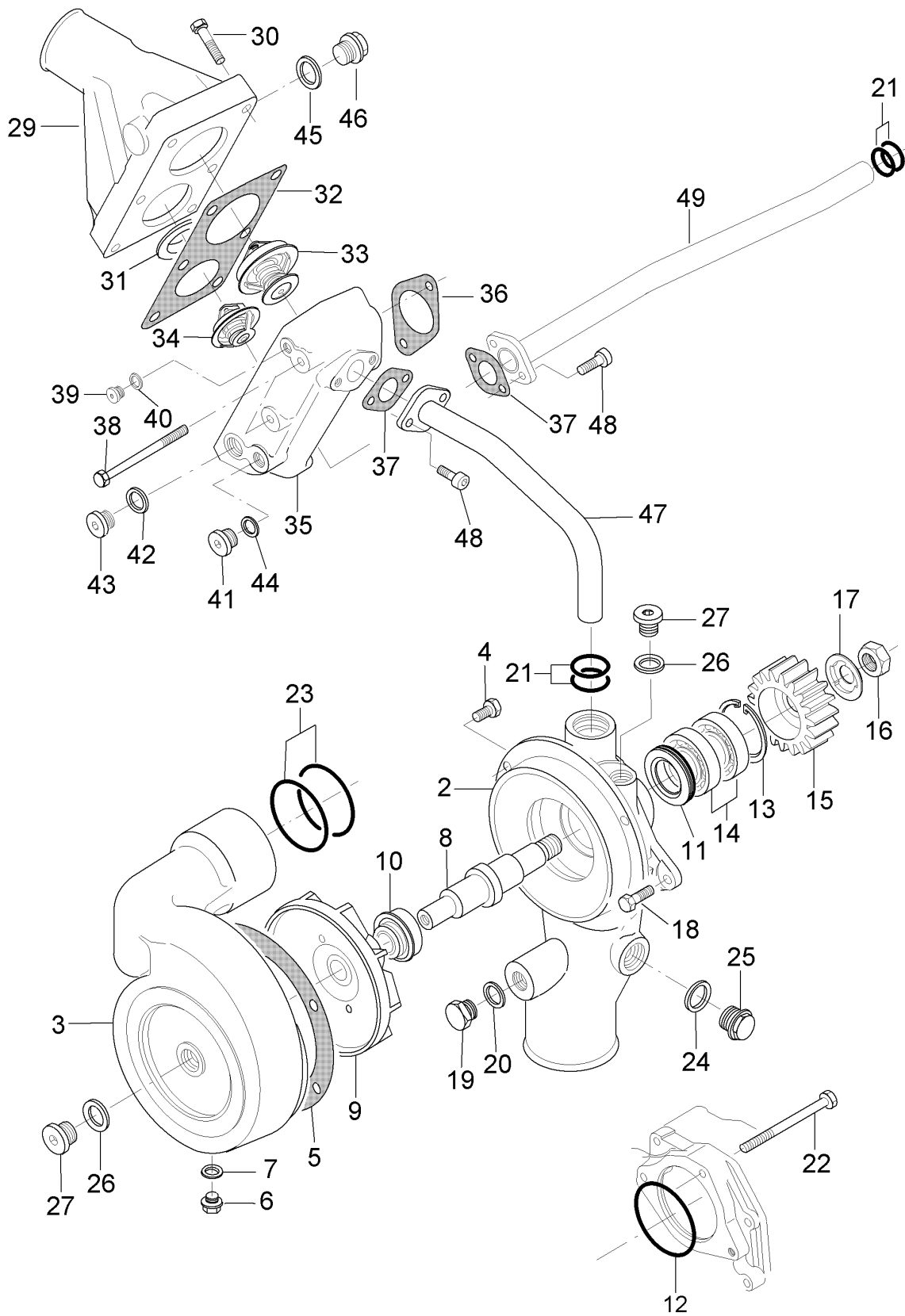
1	V836859202	[D]	1	WATER PUMP	POMPE A EAU	WASSERPUMPE	BOMBA DE AGUA
2	V836859457	1	1	FRAME	BATI	RAHMEN	BASTIDOR
3	V836859168	1	1	WATER PUMP	POMPE A EAU	WASSERPUMPE	BOMBA DE AGUA
4	V528801362	1	4	SCREW	VIS	SCHRAUBE	TORNILLO
5	V836855625	1 [C]	1	GASKET	JOINT	FLACHDICHTUNG	JUNTA PLANA
6	V640305012	1	1	PLUG	BOUCHON	STOPFEN	TAPON
7	V615881216	1 [C]	1	GASKET	JOINT	FLACHDICHTUNG	JUNTA PLANA
		⇒ V615871216					
8	V836859456	1 [C]	1	SHAFT	ARBRE	WELLE	ARBOL
9	V836866735	1 [C]	1	IMPELLER	PROPULSEUR	FLUEGELRAD	TURBINA IMPULS.
		● V836855948					
10	V836859452	1 [C]	1	GASKET	JOINT	FLACHDICHTUNG	JUNTA PLANA
11	V614103247	1 [C]	1	GASKET	JOINT	FLACHDICHTUNG	JUNTA PLANA
12	V614606230	1 [AC]	1	O RING	JOINT TORIQUE	O-RING	JUNTA TOROIDAL
13	V617330052	1 [C]	1	CIRCLIP	CIRCLIP	SEEGERING	GRAPA CIRCULAR
14	V610072050	1 [C]	2	BEARING ASSY	ROULEMENT	RADIALLAGER	RODAMIENTO RAD
15	V836855569	1	1	GEAR	ENGRENAGE	ZAHNRAD	ENGRANAJE
16	V504601600	1 [C]	1	NUT	ECROU	MUTTER	TUERCA
17	V640325018	1	1	PLUG	BOUCHON	STOPFEN	TAPON
18	V615881822	1 [C]	1	SEAL	JOINT ETANCHEITE	DICHTRING	JUNTA REDONDA
19	V640045126	1	1	PLUG	BOUCHON	STOPFEN	TAPON
20	V615892631	1 [C]	1	SEAL	JOINT ETANCHEITE	DICHTRING	JUNTA REDONDA
21	V614602430	1 [BC]	1	O RING	JOINT TORIQUE	O-RING	JUNTA TOROIDAL
22	V529801530		3	SCREW	VIS	SCHRAUBE	TORNILLO
23	V614604958	[AC]	2	O RING	JOINT TORIQUE	O-RING	JUNTA TOROIDAL
24	V615882227	[A]	1	GASKET	JOINT	FLACHDICHTUNG	JUNTA PLANA
25	V640045022		1	PLUG	BOUCHON	STOPFEN	TAPON
26	V615881822	[A]	1	SEAL	JOINT ETANCHEITE	DICHTRING	JUNTA REDONDA
27	V640325018		1	PLUG	BOUCHON	STOPFEN	TAPON
28	V836862271		1	KIT, REPAIR	JEU REPARATION	REPARATURSATZ	JUEGO REPARACION

[A] INCLUDED IN V836840994
 COMPRIS DANS V836840994
 ENTHALTEN IN V836840994
 INCLUYE EN V836840994

[B] INCLUDED IN V836840993
 COMPRIS DANS V836840993
 ENTHALTEN IN V836840993
 INCLUYE EN V836840993

[C] INCLUDED IN V836862271
 COMPRIS DANS V836862271
 ENTHALTEN IN V836862271
 INCLUYE EN V836862271

[D] NOT ILLUSTRATED
 NON ILLUSTRÉ
 NICHT ILLUSTRIRT
 NO ILUSTRADO



D-HB13-004-A

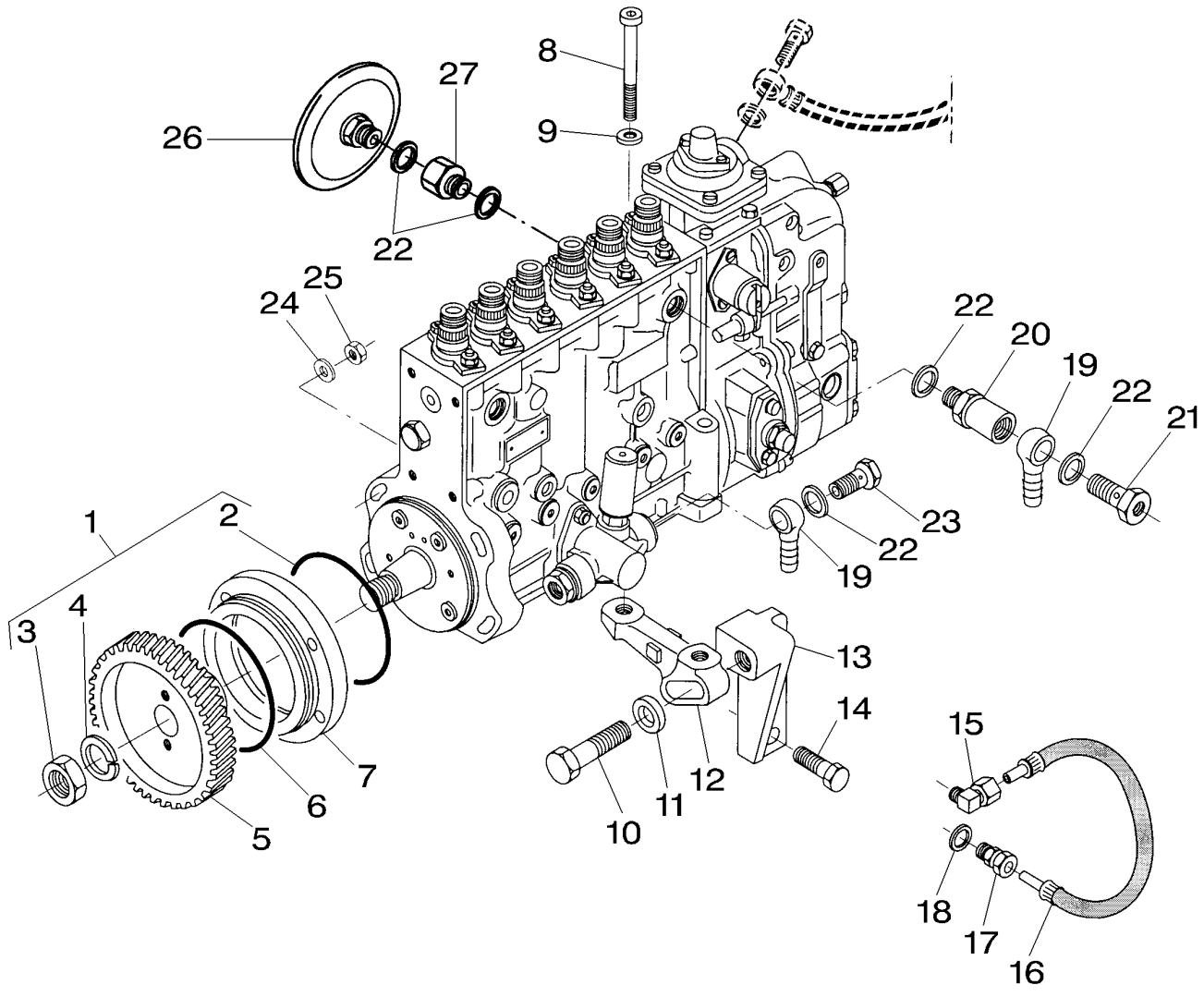
1	V837070075	[D]	1	WATER PUMP	POMPE A EAU	WASSERPUMPE	BOMBA DE AGUA
2	V837069076	1	1	HOUSING	CARTER	GEHAEUSE	ALOJAMIENTO
3	V837069077	1	1	HOUSING	CARTER	GEHAEUSE	ALOJAMIENTO
4	V528801362	1 M8X16	4	SCREW	VIS	SCHRAUBE	TORNILLO
5	V836855625	1 [C]	1	GASKET	JOINT	FLACHDICHTUNG	JUNTA PLANA
6	V640305012	1	1	PLUG	BOUCHON	STOPFEN	TAPON
7	V615881216	1 [C]	1	GASKET	JOINT	FLACHDICHTUNG	JUNTA PLANA
8	V837069078	1 [C]	1	SHAFT	ARBRE	WELLE	ARBOL
9	V836866735	1 [C]	1	IMPELLER	PROPULSEUR	FLUEGELRAD	TURBINA IMPULS.
		● V836855948					
10	V836859452	1 [C]	1	GASKET	JOINT	FLACHDICHTUNG	JUNTA PLANA
11	V614703042	1 [C]	1	OIL SEAL	BAGUE ETANCHEITE	OELDICHTRING	BUJE RETENACEITE
12	V614607930	1 [CB]	1	O RING	JOINT TORIQUE	O-RING	JUNTA TOROIDAL
13	V617330047	1 [C]	1	CIRCLIP	CIRCLIP	SEEGERING	GRAPA CIRCULAR
14	V610072040	1 [C]	2	BEARING	COUSSINET	LAGER	COJINETE
15	V837070074	1	1	GEAR	ENGRENAGE	ZAHNRAD	ENGRANAJE
16	V504601600	1 [C]	1	NUT	ECROU	MUTTER	TUERCA
17	V837070184	1 M8X20	1	RING	ANNEAU	RING.	ANILLO
18	V528801380	M8X20	1	SCREW	VIS	SCHRAUBE	TORNILLO
19	V836119079		1	PLUG	BOUCHON	STOPFEN	TAPON
20	V615881620	[C]	1	SEAL	JOINT ETANCHEITE	DICHTRING	JUNTA REDONDA
21	V614602430	[CA]	1	O RING	JOINT TORIQUE	O-RING	JUNTA TOROIDAL
22	V529801520	M8X85	2	SCREW	VIS	SCHRAUBE	TORNILLO
23	V614604958	[CB]	1	O RING	JOINT TORIQUE	O-RING	JUNTA TOROIDAL
24	V615882227	[B]	1	GASKET	JOINT	FLACHDICHTUNG	JUNTA PLANA
25	V640045022		1	PLUG	BOUCHON	STOPFEN	TAPON
26	V615881822	[B]	1	SEAL	JOINT ETANCHEITE	DICHTRING	JUNTA REDONDA
27	V640325018		2	PLUG	BOUCHON	STOPFEN	TAPON
28	V837062617	[D]	1	KIT, REPAIR	JEU REPARATION	REPARATURSATZ	JUEGO REPARACION
29	V836855602		1	HOUSING	CARTER	GEHAEUSE	ALOJAMIENTO
30	V529801430	M8X40	6	SCREW	VIS	SCHRAUBE	TORNILLO
31	V836336425		1	WASHER	RONDELLE	SCHEIBE	ARANDELA
32	V836855603	[A]	1	GASKET	JOINT	FLACHDICHTUNG	JUNTA PLANA
33	V836331590	83°C	1	THERMOSTAT	THERMOSTAT	THERMOSTAT	TERMOSTATO
34	V836015156	79°C	1	THERMOSTAT	THERMOSTAT	THERMOSTAT	TERMOSTATO
35	V836855601		1	HOUSING	CARTER	GEHAEUSE	ALOJAMIENTO
36	V836646393	[A]	1	GASKET	JOINT	FLACHDICHTUNG	JUNTA PLANA
37	V836322190	[A]	2	GASKET	JOINT	FLACHDICHTUNG	JUNTA PLANA
38	V529801550	M8X100	2	SCREW	VIS	SCHRAUBE	TORNILLO
39	V640325110		1	PLUG	BOUCHON	STOPFEN	TAPON
40	V615871014	[A]	1	O RING	JOINT TORIQUE	O-RING	JUNTA TOROIDAL
41	V640325014		1	PLUG	BOUCHON	STOPFEN	TAPON
42	V615881822	[A]	1	SEAL	JOINT ETANCHEITE	DICHTRING	JUNTA REDONDA
43	V640325018		1	PLUG	BOUCHON	STOPFEN	TAPON
44	V615881418	[A]	1	SEAL	JOINT ETANCHEITE	DICHTRING	JUNTA REDONDA
45	V615882227	[A]	1	GASKET	JOINT	FLACHDICHTUNG	JUNTA PLANA
46	V640045022		1	PLUG	BOUCHON	STOPFEN	TAPON
47	V837070020		1	PIPE	TUYAU	TUBE	TUBO
48	V581804600	M8X20	4	SCREW	VIS	SCHRAUBE	TORNILLO
49		👁 8-18 No	X	PIPE	TUYAU	TUBE	TUBO

[A] INCLUDED IN KIT V837062627
INCLUS DANS JEU V837062627
ENTHALTEN IN KIT V837062627
INCLUYE EN KIT V837062627

[B] INCLUDED IN KIT V837062628
INCLUS DANS JEU V837062628
ENTHALTEN IN KIT V837062628
INCLUYE EN KIT V837062628

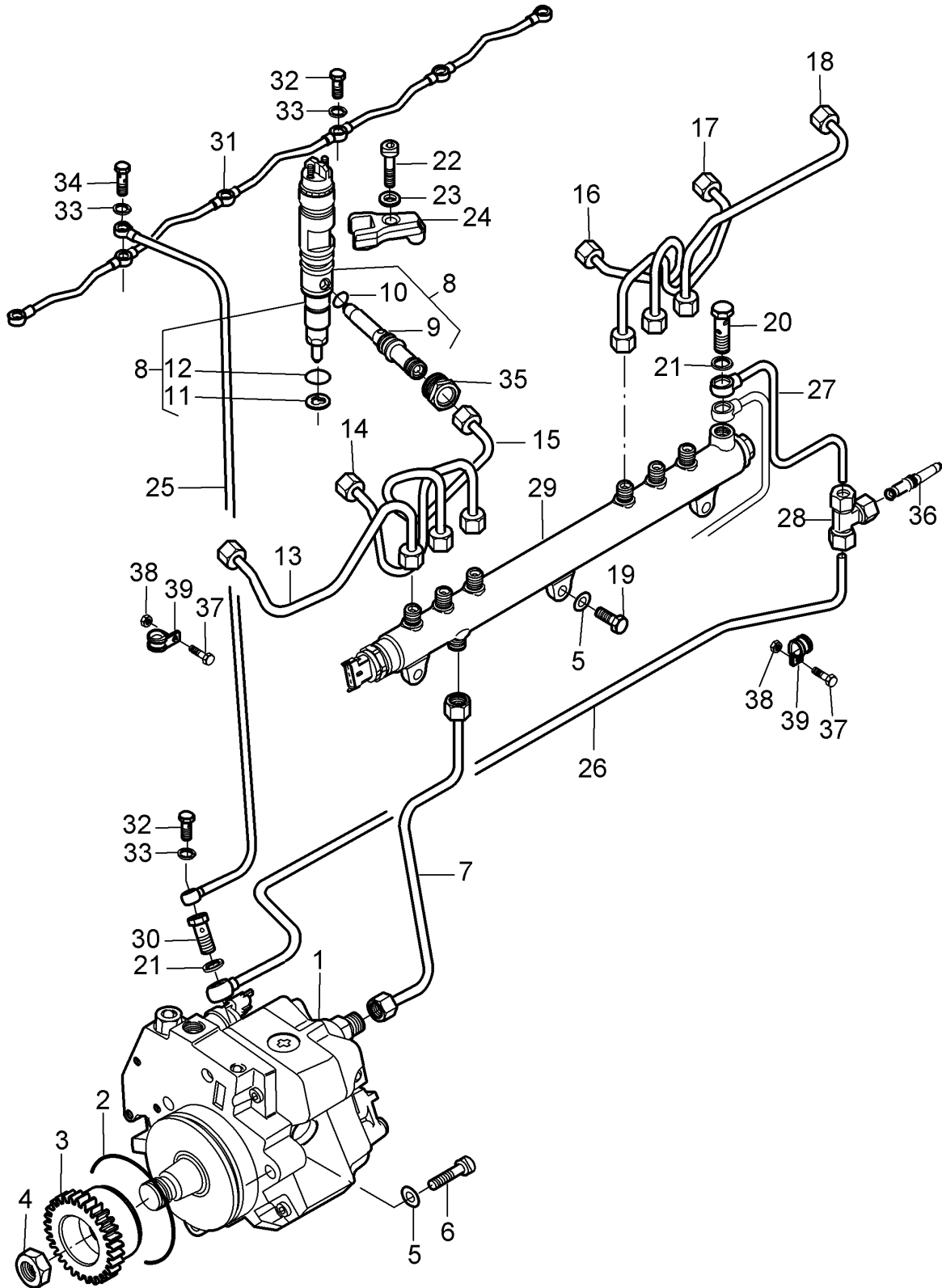
[C] INCLUDED IN V837062617
INCLUS DANS V837062617
ENTHALTEN IN V837062617
INCLUYE EN V837062617

[D] NOT ILLUSTRATED
NON ILLUSTRÉ
NICHT ILLUSTRIRT
NO ILUSTRADO




1	V836854997	8300	1	INJECTION PUMP	POMPE INJECTION	EINSPRITZPUMPE	BOMBA INYECCION
1	V836854990	8350	1	INJECTION PUMP	POMPE INJECTION	EINSPRITZPUMPE	BOMBA INYECCION
2	V614609930	1 [A]	1	O RING	JOINT TORIQUE	O-RING	JUNTA TOROIDAL
3	V505612000	1	1	NUT	ECROU	MUTTER	TUERCA
4	V500452002	1	1	WASHER	RONDELLE	SCHEIBE	ARANDELA
5	V836855986		1	GEAR	ENGRENAGE	ZAHNRAD	ENGRANAJE
6	V614609930	[A]	1	O RING	JOINT TORIQUE	O-RING	JUNTA TOROIDAL
7	V836855996		1	RING	ANNEAU	RING.	ANILLO
8	V581805150	M10X90	2	SCREW	VIS	SCHRAUBE	TORNILLO
9	V500151050		2	WASHER	RONDELLE	SCHEIBE	ARANDELA
10	V529803072	M16X60	1	SCREW	VIS	SCHRAUBE	TORNILLO
11	V836655994		1	WASHER	RONDELLE	SCHEIBE	ARANDELA
12	V836855987		1	SUPPORT	SUPPORT	TRAGER	SOPORTE
13	V836855993		1	SUPPORT	SUPPORT	TRAGER	SOPORTE
14	V528802640	M14X40	2	SCREW	VIS	SCHRAUBE	TORNILLO
15	V641166006		1	ELBOW NIPPLE	RACCORD COUDE	WINKELSTUTZEN	CODO DE UNION
16	V836120491		1	PIPE,OIL	TUYAU HYDRAULI.	OELLEITUNG	MANGUITO ACEITE
17	V641086006		1	CONNECTION	CONNEXION	VERBINDUNG	CONEXION
18	V615871014	[A]	1	O RING	JOINT TORIQUE	O-RING	JUNTA TOROIDAL
19	V640255210		2	PIPE	TUYAU	TUBE	TUBO
20	V836330959		1	VALVE	SOUPAPE	VENTIL	VALVULA
21	V835336944		1	SCREW	VIS	SCHRAUBE	TORNILLO
22	V615881420	[A]	7	GASKET	JOINT	FLACHDICHTUNG	JUNTA PLANA
23	V640435010		1	SCREW	VIS	SCHRAUBE	TORNILLO
24	V500051052		4	WASHER	RONDELLE	SCHEIBE	ARANDELA
25	V504801000		4	NUT	ECROU	MUTTER	TUERCA
26	V836316814		1	PRESSURE VALVE	VALVE	DRUCKVENTIL	VALVULA PRESION
27	V836336934		1	UNION	RACCORD	VERSCHRAUBUNG	RACOR

[A] INCLUDED IN V836840994
 COMPRIS DANS V836840994
 ENHALTEN IN V836840994
 INCLUYE EN V836840994

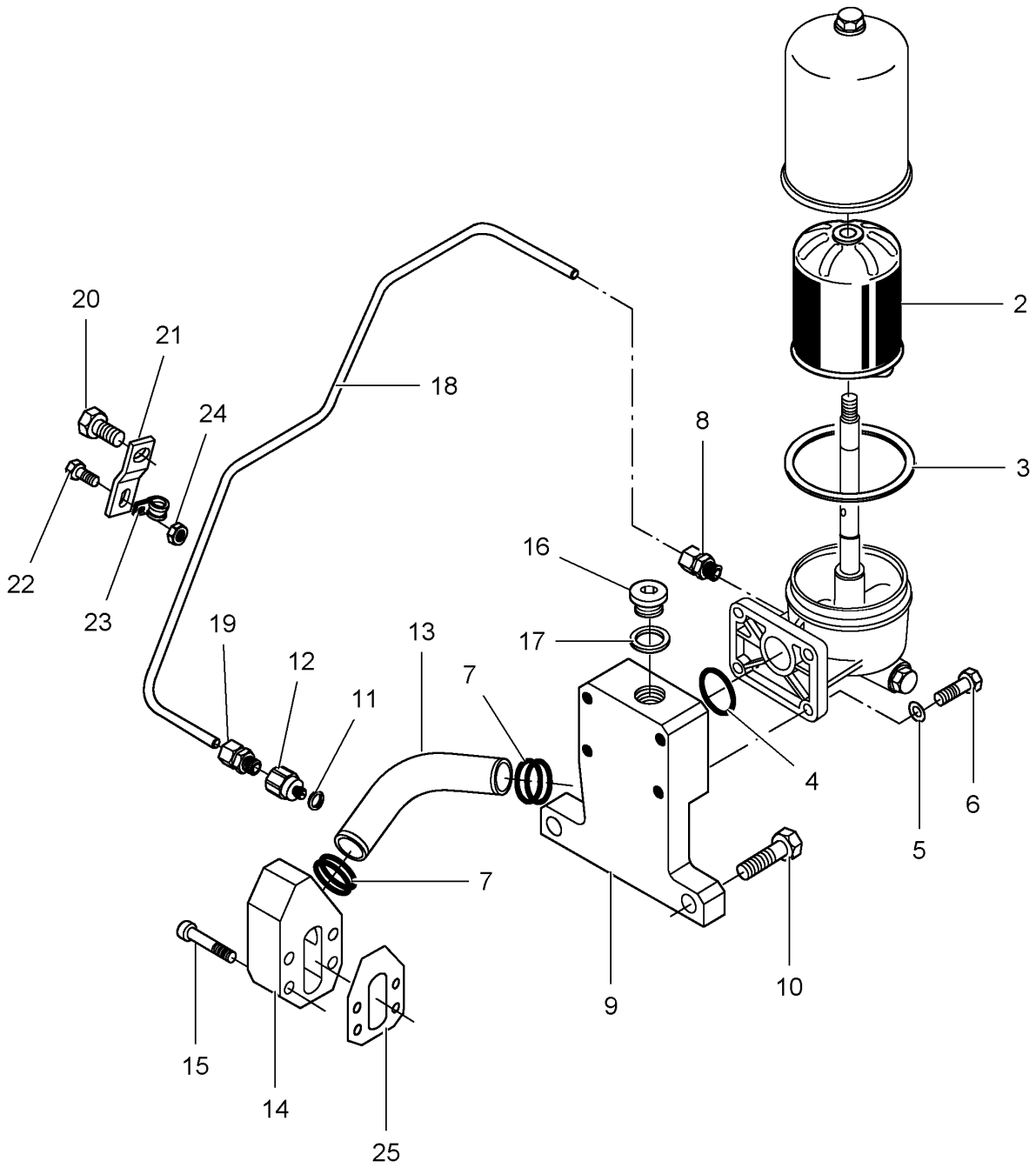


D-HB14-011-A

1	V837069146		1	INJECTION PUMP	POMPE INJECTION	EINSPRITZPUMPE	BOMBA INYECCION
2	V837069147	[B]	1	O RING	JOINT TORIQUE	O-RING	JUNTA TOROIDAL
3	V837070073		1	GEAR	ENGRENAGE	ZAHNRAD	ENGRANAJE
4	V504611802	M18	1	NUT	ECROU	MUTTER	TUERCA
5	V500950800		4	WASHER	RONDELLE	SCHEIBE	ARANDELA
6	V581704650	M8 X 40	3	SCREW	VIS	SCHRAUBE	TORNILLO
7	V837070249		1	PIPE	TUYAU	TUBE	TUBO
8	V837062629		6	INJECTOR	ATOMISEUR	EINSPRITZDUESE	INYECTOR
9		8  REF. 8	1	TUBE	TUBE	ROHR	TUBO.
10	V837069314	8 [A]	1	RING	ANNEAU	RING.	ANILLO
11	V837069032	8 [A]	1	SEAL	JOINT ETANCHEITE	DICHTRING	JUNTA REDONDA
12	V837069313	8 [A]	1	SEAL	JOINT ETANCHEITE	DICHTRING	JUNTA REDONDA
13	V837070077	CYL. No 1	1	FUEL LINE	TUYAU CARBURANT	KRAFTST.LEITUNG	TUBO COMBUSTIBLE
14	V837070078	CYL. No 2	1	FUEL LINE	TUYAU CARBURANT	KRAFTST.LEITUNG	TUBO COMBUSTIBLE
15	V837070079	CYL. No 3	1	FUEL LINE	TUYAU CARBURANT	KRAFTST.LEITUNG	TUBO COMBUSTIBLE
16	V837070080	CYL. No 4	1	FUEL LINE	TUYAU CARBURANT	KRAFTST.LEITUNG	TUBO COMBUSTIBLE
17	V837070081	CYL. No 5	1	FUEL LINE	TUYAU CARBURANT	KRAFTST.LEITUNG	TUBO COMBUSTIBLE
18	V837070082	CYL. No 6	1	FUEL LINE	TUYAU CARBURANT	KRAFTST.LEITUNG	TUBO COMBUSTIBLE
19	V528801380	M8 X 20	3	SCREW	VIS	SCHRAUBE	TORNILLO
20	V640425008		1	SCREW	VIS	SCHRAUBE	TORNILLO
21	V615881216	[A]	5	GASKET	JOINT	FLACHDICHTUNG	JUNTA PLANA
22	V581704660	M8 X 45	6	SCREW	VIS	SCHRAUBE	TORNILLO
23	V837070121		6	WASHER	RONDELLE	SCHEIBE	ARANDELA
24	V837069007		6	FASTENER	AGRAFE	KLAMMER	GRAPA
25	V837070277		1	FUEL PIPE	TUYAU ALIMENTAT.	KRAFTSTOFFROHR	TUBO ALIMENTACI.
26	V837070258		1	FUEL PIPE	TUYAU ALIMENTAT.	KRAFTSTOFFROHR	TUBO ALIMENTACI.
27	V837070255		1	FUEL PIPE	TUYAU ALIMENTAT.	KRAFTSTOFFROHR	TUBO ALIMENTACI.
28	V641436008		1	UNION	RACCORD	VERSCHRAUBUNG	RACOR
29	V837069050		1	FUEL LINE	TUYAU CARBURANT	KRAFTST.LEITUNG	TUBO COMBUSTIBLE
30	V837070314		1	SCREW	VIS	SCHRAUBE	TORNILLO
31	V837069027		1	PIPE	TUYAU	TUBE	TUBO
32	V640435005		6	SCREW	VIS	SCHRAUBE	TORNILLO
33	V615870812	[A]	14	GASKET	JOINT	FLACHDICHTUNG	JUNTA PLANA
34	V640425005		1	SCREW	VIS	SCHRAUBE	TORNILLO
35	V837069268		6	NUT	ECROU	MUTTER	TUERCA
36	V837067801		1	PIPE	TUYAU	TUBE	TUBO
37	V528801082	M6 X 20	3	SCREW	VIS	SCHRAUBE	TORNILLO
38	V510600602	M6	3	NUT	ECROU	MUTTER	TUERCA
39	V602074608		5	CLAMP	COLLIER	HALTESCHELLE	ABRAZADERA

[A] INCLUDED IN KIT V837062627
INCLUS DANS JEU V837062627
ENTHALTEN IN KIT V837062627
INCLUYE EN KIT V837062627

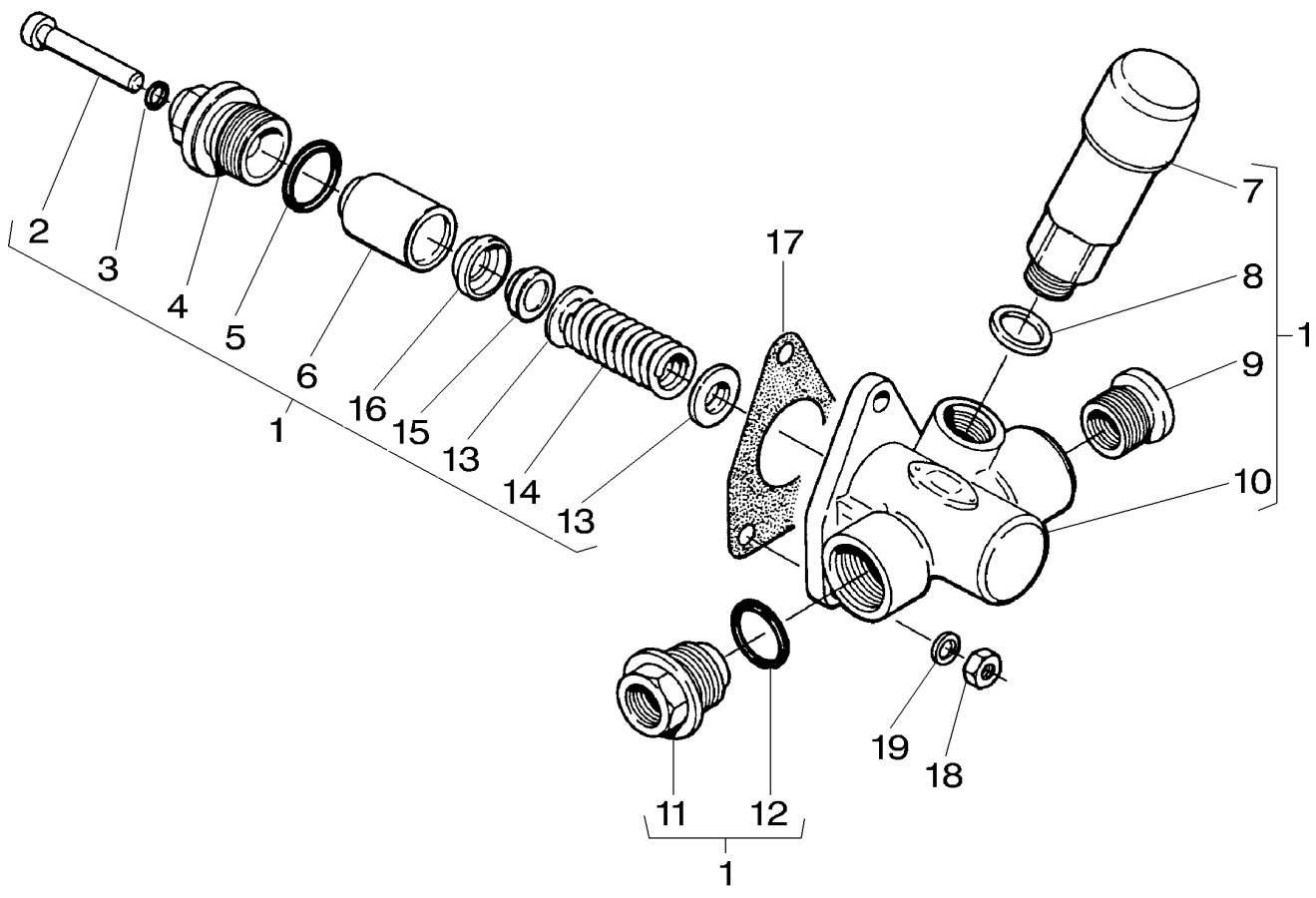
[B] INCLUDED IN KIT V837062628
INCLUS DANS JEU V837062628
ENTHALTEN IN KIT V837062628
INCLUYE EN KIT V837062628




D-LD98-001-A

	[A]		1 OIL FILTER	FILTRE HUILE	OELFILTER	FILTRO DE ACEITE
1*V836359603	➔ 61490					
2 V836362228	1		1 KIT, ROTOR ASSY.	JEU ROTOR	ROTORSATZ	JGO.CJTO.ROTOR
3 V836362229	2		1 GASKET	JOINT	FLACHDICHTUNG	JUNTA PLANA
4 V836664226	1		1 O RING	JOINT TORIQUE	O-RING	JUNTA TOROIDAL
5 V500951000			4 WASHER	RONDELLE	SCHEIBE	ARANDELA
6 V528801810	M10X30		4 SCREW	VIS	SCHRAUBE	TORNILLO
7 V614903430			4 O RING	JOINT TORIQUE	O-RING	JUNTA TOROIDAL
8 V641830008			1 UNION	RACCORD	VERSCHRAUBUNG	RACOR
9 V837067970			1 ADAPTER	RACCORD REDUC.	ADAPTER	ADAPTER
10 V528803042	M16X45		2 SCREW	VIS	SCHRAUBE	TORNILLO
11 V615871016			1 O RING	JOINT TORIQUE	O-RING	JUNTA TOROIDAL
12 V836120022			1 CONNECTION	CONNEXION	VERBINDUNG	CONEXION
13 V837067968			1 PIPE	TUYAU	TUBE	TUBO
14 V837067969			1 ADAPTER	RACCORD REDUC.	ADAPTER	ADAPTER
15 V581804670	M8X50		4 SCREW	VIS	SCHRAUBE	TORNILLO
16 V640325039			1 PLUG	BOUCHON	STOPFEN	TAPON
17 V615893946			1 RING	ANNEAU	RING.	ANILLO
18 V837067967			1 PIPE	TUYAU	TUBE	TUBO
19 V641016008			1 UNION	RACCORD	VERSCHRAUBUNG	RACOR
20 V528802602	M14X25		1 SCREW	VIS	SCHRAUBE	TORNILLO
21 V837070381			1 SUPPORT	SUPPORT	TRAGER	SOPORTE
22 V528801380	M8X20		1 SCREW	VIS	SCHRAUBE	TORNILLO
23 V602060610			1 BAND	BANDE	BAND	BANDA
24*V504800802	M8		1 NUT	ECROU	MUTTER	TUERCA
25*V836866958			1 GASKET	JOINT	FLACHDICHTUNG	JUNTA PLANA

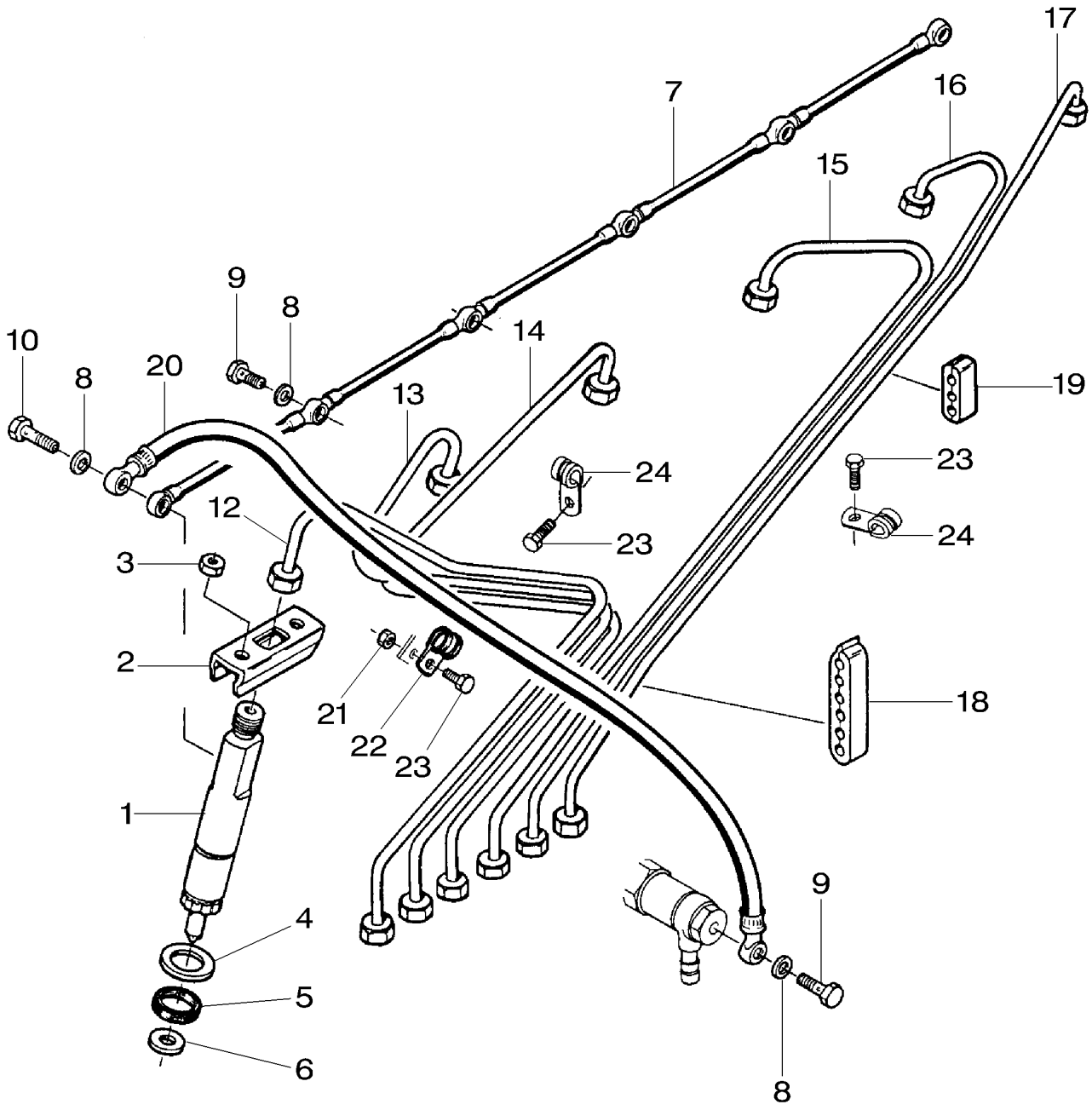
[A] NOT ILLUSTRATED
 NON ILLUSTRE
 NICHT ILLUSTRIRT
 NO ILUSTRADO



1	V836362023		1	FUEL PUMP	POMPE CARBURANT	KRAFTSTOFFPUMPE	BOMBA GAS-OIL
2	V836362024	1	1	LEVER	LEVIER	HEBEL	PALANCA
3	V836362025	1 [A]	1	O RING	JOINT TORIQUE	O-RING	JUNTA TOROIDAL
4	V836340069	1	1	BODY	CORPS	RUMPF	CUERPO
5	V836362027	1 [A]	1	O RING	JOINT TORIQUE	O-RING	JUNTA TOROIDAL
6	V835339877	1	1	PLUNGER	PLONGEUR	TAUCHKOLBEN	EMBOLO BUZO
7	V835339884	1	1	PUMP	POMPE	PUMPE	BOMBA
8	V615881620	1	1	SEAL	JOINT ETANCHEITE	DICHTRING	JUNTA REDONDA
9	V836340067	1	1	UNION	RACCORD	VERSCHRAUBUNG	RACOR
10		1  REF. 1	1	HOUSING	CARTER	GEHAEUSE	ALOJAMIENTO
11	V835340971	1 [A]	1	UNION	RACCORD	VERSCHRAUBUNG	RACOR
12	V835340972	1 [A]	1	O RING	JOINT TORIQUE	O-RING	JUNTA TOROIDAL
13	V835339879	1	2	WASHER	RONDELLE	SCHEIBE	ARANDELA
14	V836362026	1	1	SPRING	RESSORT	FEDER	MUELLE
15	V835339880	1 [A]	1	PRESSURE VALVE	VALVE	DRUCKVENTIL	VALVULA PRESION
16	V835339882	1	1	GASKET	JOINT	FLACHDICHTUNG	JUNTA PLANA
17	V836329194		1	GASKET	JOINT	FLACHDICHTUNG	JUNTA PLANA
18	V504600602	M6	3	NUT	ECROU	MUTTER	TUERCA
19	V500450602		3	WASHER	RONDELLE	SCHEIBE	ARANDELA
20	V836862418	[B]	1	PARTS PACK	JEU PIECES	SATZ TEILE	PAQUETE PIEZAS

[A] INCLUDED IN REPAIR KIT V836862418
 COMPRIS DANS LE JEU V836862418
 IN REPARATURSATZ V836862418
 INCLUIDO EN EL JUEGO V836862418

[B] NOT ILLUSTRATED
 NON ILLUSTRÉ
 NICHT ILLUSTRIRT
 NO ILUSTRADO

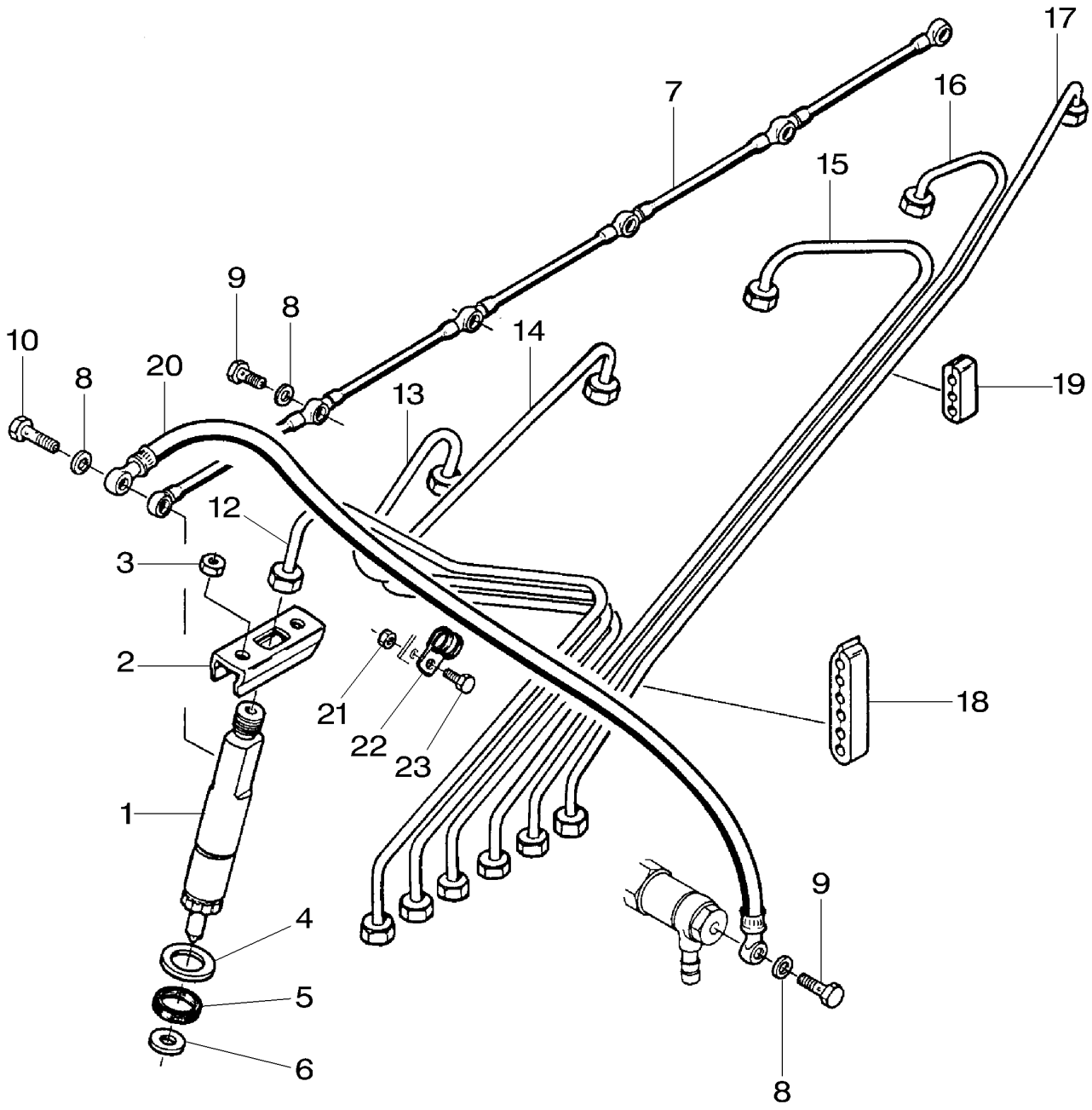


1	V836854992		6	ATOMISER	INJECTEUR	ZERSTAEUBER	ATOMIZADOR
2	V835331103		6	RETAINER	RETENEUR	HALTERING	RETENEDOR
3	V504800800		12	NUT	ECROU	MUTTER	TUERCA
4	V836652170		6	WASHER	RONDELLE	SCHEIBE	ARANDELA
5	V835336276	[A]	6	SEAL	JOINT ETANCHEITE	DICHTRING	JUNTA REDONDA
6	V899901495	[A]	6	WASHER	RONDELLE	SCHEIBE	ARANDELA
7	V836847522		1	PIPE	TUYAU	TUBE	TUBO
8	V615870710	[A]	13	SEAL	JOINT ETANCHEITE	DICHTRING	JUNTA REDONDA
9	V835331289		5	SCREW	VIS	SCHRAUBE	TORNILLO
10	V835336943		1	SCREW	VIS	SCHRAUBE	TORNILLO
11	V836866670	[B]	1	KIT, PIPE	JEU CANALISATION	ROHRLEITUNGSATZ	JUEGO CANO
12		11	1	TAIL PIPE	TUBE ECHAPPEMENT	AUSPUFFROHR	TUBO DE ESCAPE
13		11	1	TAIL PIPE	TUBE ECHAPPEMENT	AUSPUFFROHR	TUBO DE ESCAPE
14		11	1	TAIL PIPE	TUBE ECHAPPEMENT	AUSPUFFROHR	TUBO DE ESCAPE
15		11	1	TAIL PIPE	TUBE ECHAPPEMENT	AUSPUFFROHR	TUBO DE ESCAPE
16		11	1	TAIL PIPE	TUBE ECHAPPEMENT	AUSPUFFROHR	TUBO DE ESCAPE
17		11	1	TAIL PIPE	TUBE ECHAPPEMENT	AUSPUFFROHR	TUBO DE ESCAPE
18	V836664521	11	1	CLAMP	COLLIER	HALTESCHELLE	ABRAZADERA
19	V836664518	11	2	CLAMP	COLLIER	HALTESCHELLE	ABRAZADERA
20	V835336942		1	TUBE	TUBE	ROHR	TUBO.
21	V504600502		1	NUT	ECROU	MUTTER	TUERCA
22	V602069813		1	CLAMP	COLLIER	HALTESCHELLE	ABRAZADERA
23	V528800762		3	SCREW	VIS	SCHRAUBE	TORNILLO
24	V602070605	[C]	2	BAND	BANDE	BAND	BANDA

[A] INCLUDED IN V836840993
COMPRIS DANS V836840993
ENTHALTEN IN V836840993
INCLUYE EN V836840993

[B] NOT ILLUSTRATED
NON ILLUSTRE
NICHT ILLUSTRIERT
NON ILUSTRADO

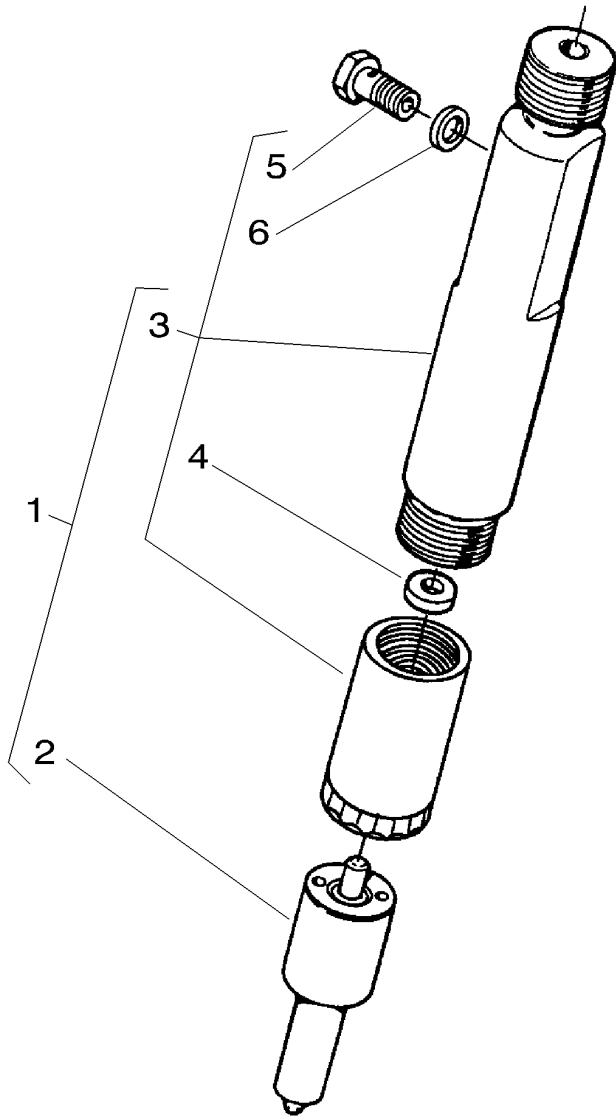
[C] NON AFFECTE
NON AFFECTE
NON AFFECTE
NON AFFECTE



1	V836354615		6	ATOMISER	INJECTEUR	ZERSTAEUBER	ATOMIZADOR
2	V835331103		6	RETAINER	RETENEUR	HALTERING	RETENEDOR
3	V504800800		12	NUT	ECROU	MUTTER	TUERCA
4	V836652170		6	WASHER	RONDELLE	SCHEIBE	ARANDELA
5	V835336276	[A]	6	SEAL	JOINT ETANCHEITE	DICHTRING	JUNTA REDONDA
6	V899901495	[A]	6	WASHER	RONDELLE	SCHEIBE	ARANDELA
7	V836847522		1	PIPE	TUYAU	TUBE	TUBO
8	V615870710	[A]	13	SEAL	JOINT ETANCHEITE	DICHTRING	JUNTA REDONDA
9	V835331289		5	SCREW	VIS	SCHRAUBE	TORNILLO
10	V835336943		1	SCREW	VIS	SCHRAUBE	TORNILLO
11	V836866670	[B]	1	KIT, PIPE	JEU CANALISATION	ROHRLEITUNGSATZ	JUEGO CANO
12		11	1	TAIL PIPE	TUBE ECHAPPEMENT	AUSPUFFROHR	TUBO DE ESCAPE
13		11	1	TAIL PIPE	TUBE ECHAPPEMENT	AUSPUFFROHR	TUBO DE ESCAPE
14		11	1	TAIL PIPE	TUBE ECHAPPEMENT	AUSPUFFROHR	TUBO DE ESCAPE
15		11	1	TAIL PIPE	TUBE ECHAPPEMENT	AUSPUFFROHR	TUBO DE ESCAPE
16		11	1	TAIL PIPE	TUBE ECHAPPEMENT	AUSPUFFROHR	TUBO DE ESCAPE
17		11	1	TAIL PIPE	TUBE ECHAPPEMENT	AUSPUFFROHR	TUBO DE ESCAPE
18	V836664521	11	1	CLAMP	COLLIER	HALTESCHELLE	ABRAZADERA
19	V836664518	11	2	CLAMP	COLLIER	HALTESCHELLE	ABRAZADERA
20	V835336942		1	TUBE	TUBE	ROHR	TUBO
21	V504600502		1	NUT	ECROU	MUTTER	TUERCA
22	V602069813		1	CLAMP	COLLIER	HALTESCHELLE	ABRAZADERA
23	V528800762		1	SCREW	VIS	SCHRAUBE	TORNILLO

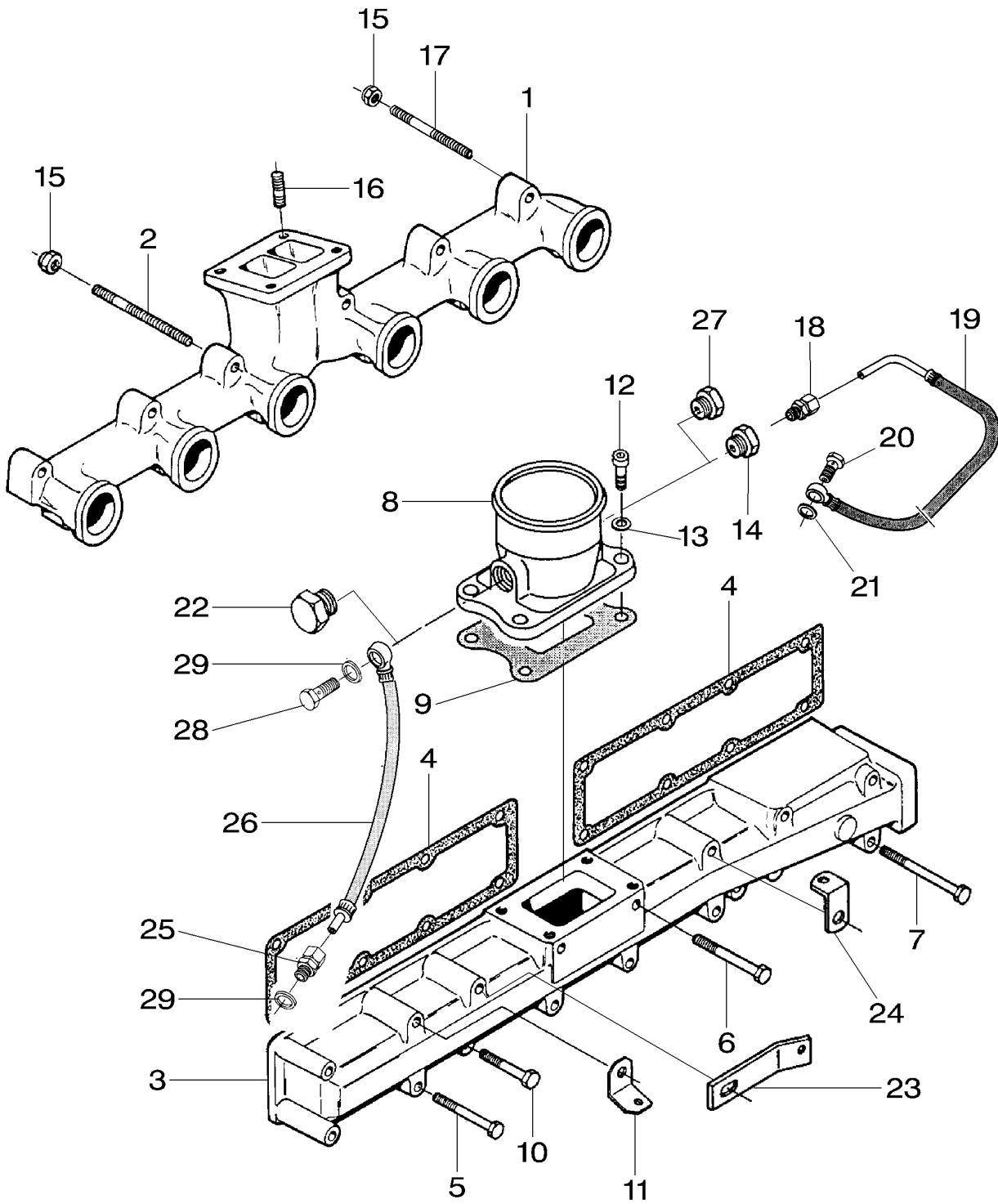
[A] INCLUDED IN V836840993
 COMPRIS DANS V836840993
 ENTHALTEN IN V836840993
 INCLUYE EN V836840993

[B] NOT ILLUSTRATED
 NON ILLUSTRÉ
 NICHT ILLUSTRIRT
 NO ILUSTRADO



D-HB17-004-A

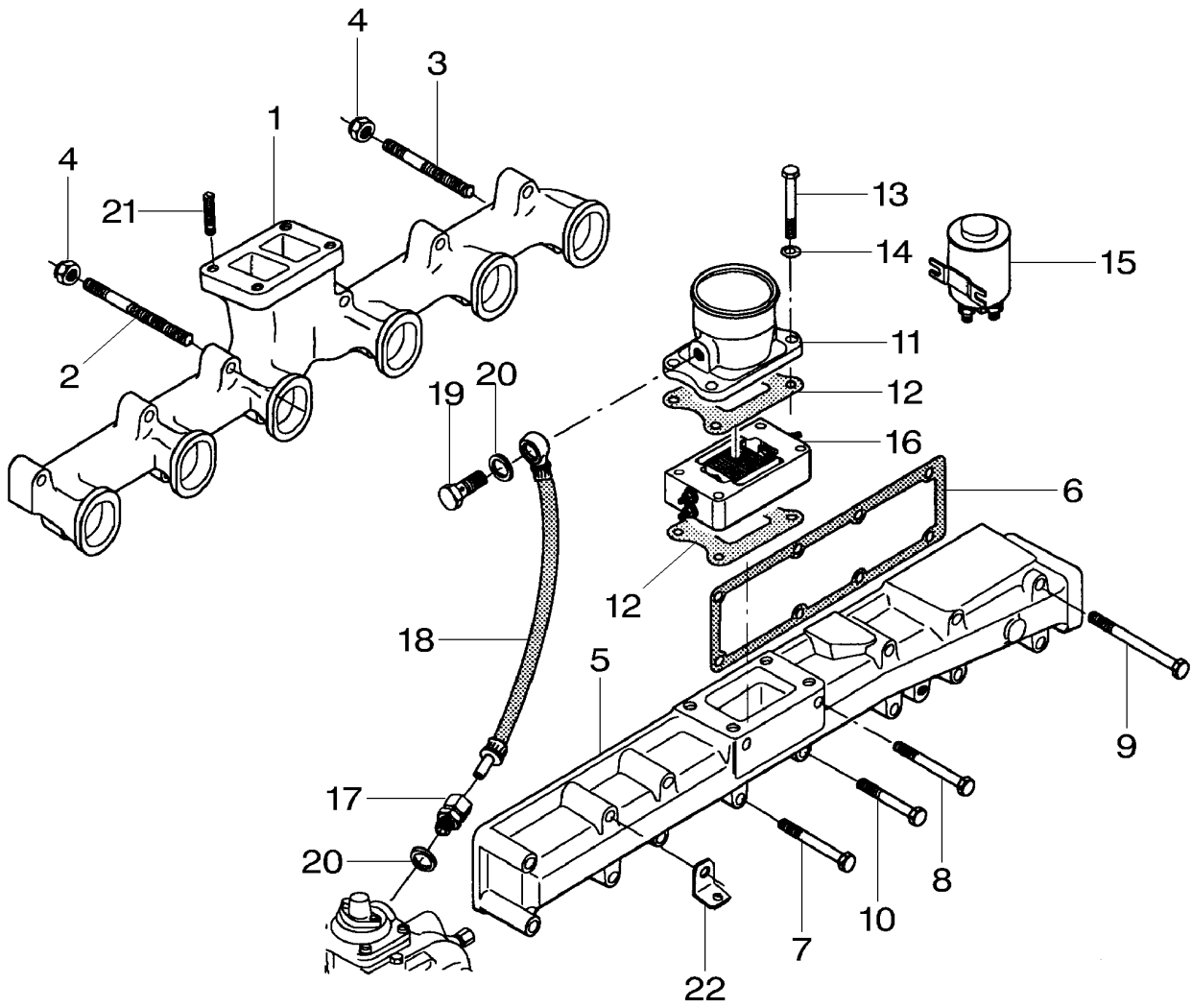
1	V836854929	270BAR 8300	1	ATOMISER	INJECTEUR	ZERSTAEUBER	ATOMIZADOR
1	V836854992	270BAR 8350	1	ATOMISER	INJECTEUR	ZERSTAEUBER	ATOMIZADOR
2	V836854930	1 8300	1	NOZZLE	NEZ INJECTEUR	DUESE	TOBERA
2	V836854991	1 8350	1	NOZZLE	NEZ INJECTEUR	DUESE	TOBERA
3		1 REF. 1	1	ATOMISER BODY	CORPS INJECTEUR	DUESENKOERPER	CUERPO ATOMIZ.
4	V836862000	3 1 MM	X	CHOCK	CALE	UNTERLEG-KEIL	CALZA
4	V836862001	3 1,05MM	X	CHOCK	CALE	UNTERLEG-KEIL	CALZA
4	V836862002	3 1,10MM	X	CHOCK	CALE	UNTERLEG-KEIL	CALZA
4	V836862003	3 1,15MM	X	CHOCK	CALE	UNTERLEG-KEIL	CALZA
4	V836862004	3 1,20MM	X	CHOCK	CALE	UNTERLEG-KEIL	CALZA
4	V836862005	3 1,25MM	X	CHOCK	CALE	UNTERLEG-KEIL	CALZA
4	V836862006	3 1,30MM	X	CHOCK	CALE	UNTERLEG-KEIL	CALZA
4	V836862007	3 1,35MM	X	CHOCK	CALE	UNTERLEG-KEIL	CALZA
4	V836862008	3 1,40MM	X	CHOCK	CALE	UNTERLEG-KEIL	CALZA
4	V836862009	3 1,45MM	X	CHOCK	CALE	UNTERLEG-KEIL	CALZA
4	V836862010	3 1,50MM	X	CHOCK	CALE	UNTERLEG-KEIL	CALZA
4	V836862011	3 1,55MM	X	CHOCK	CALE	UNTERLEG-KEIL	CALZA
4	V836862012	3 1,60MM	X	CHOCK	CALE	UNTERLEG-KEIL	CALZA
4	V836862013	3 1,65MM	X	CHOCK	CALE	UNTERLEG-KEIL	CALZA
4	V836862014	3 1,70MM	X	CHOCK	CALE	UNTERLEG-KEIL	CALZA
4	V836862015	3 1,75MM	X	CHOCK	CALE	UNTERLEG-KEIL	CALZA
4	V836862016	3 1,80MM	X	CHOCK	CALE	UNTERLEG-KEIL	CALZA
4	V836862017	3 1,85MM	X	CHOCK	CALE	UNTERLEG-KEIL	CALZA
4	V836862018	3 1,90MM	X	CHOCK	CALE	UNTERLEG-KEIL	CALZA
4	V836862019	3 1,95MM	X	CHOCK	CALE	UNTERLEG-KEIL	CALZA
5	V835331289	3	1	SCREW	VIS	SCHRAUBE	TORNILLO
6	V615870710	3	2	SEAL	JOINT ETANCHEITE	DICHTRING	JUNTA REDONDA



D-HB19-001-C

1	V836855506		1	EXHAUST MANIFOLD	COLLECTEUR ECHAP	AUSPUFFKRUEMMER	COLECTOR ESCAPE
2	V836859034	M10x130	10	STUD	GOIJON	STEBOLZEN	ESPARRAGO ROSCA.
3	V836847493		1	INTAKE MANIFOLD	COLLECTEUR ADMIS	SAUGKRUEMMER	COLECTOR ADMISIO
4	V836847496	[A]	2	GASKET	JOINT	FLACHDICHTUNG	JUNTA PLANA
5	V529801510		8	SCREW	VIS	SCHRAUBE	TORNILLO
6	V529801530		3	SCREW	VIS	SCHRAUBE	TORNILLO
7	V529801562		2	SCREW	VIS	SCHRAUBE	TORNILLO
8	V836847531		1	PIPE	TUYAU	TUBE	TUBO
9	V836847532	[A]	1	GASKET	JOINT	FLACHDICHTUNG	JUNTA PLANA
10	V529801470		2	SCREW	VIS	SCHRAUBE	TORNILLO
11	V836855774		1	ANGLE.	EQUERRE.	WINKEL	ANGULO
12	V581804620		4	SCREW	VIS	SCHRAUBE	TORNILLO
13	V500950800		4	WASHER	RONDELLE	SCHEIBE	ARANDELA
14	V836146021	➔ K11306	1	PLUG	BOUCHON	STOPFEN	TAPON
15	V513601002		12	NUT	ECROU	MUTTER	TUERCA
16	V546801800		4	BOLT	BOULON	BOLZEN	BULON
17	V836859188		2	BOLT	BOULON	BOLZEN	BULON
18	V641016008	➔ K11305	1	UNION	RACCORD	VERSCHRAUBUNG	RACOR
19	V836659068	➔ K11305	1	PIPE	TUYAU	TUBE	TUBO
20	V640435008	➔ K11305	1	SCREW	VIS	SCHRAUBE	TORNILLO
21	V615881216	[A]	2	GASKET	JOINT	FLACHDICHTUNG	JUNTA PLANA
22	V836114958	➔ K11305	1	PLUG	BOUCHON	STOPFEN	TAPON
23	V836864379		1	SUPPORT	SUPPORT	TRAGER	SOPORTE
24	V836864378		1	SUPPORT	SUPPORT	TRAGER	SOPORTE
25	V641086008	➔ K11306	1	VALVE	SOUPAPE	VENTIL	VALVULA
26	V836852301	➔ K11306	1	TUBE	TUBE	ROHR	TUBO.
27	V836114958	➔ K11306	1	PLUG	BOUCHON	STOPFEN	TAPON
28	V640435008	➔ K11306	1	SCREW	VIS	SCHRAUBE	TORNILLO
29	V615881216	➔ K11306	3	GASKET	JOINT	FLACHDICHTUNG	JUNTA PLANA

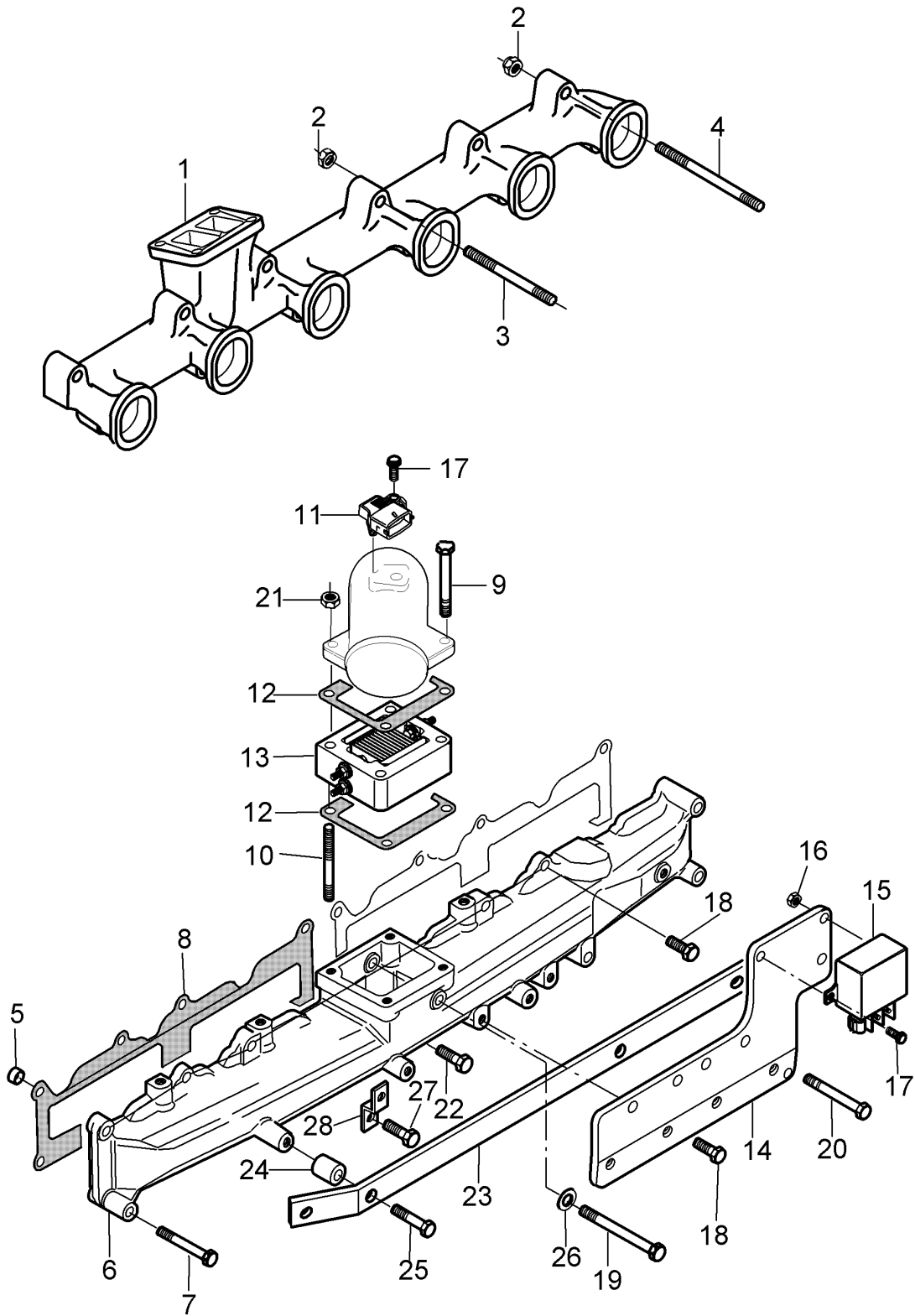
[A] INCLUDED IN V836840993
 COMPRIS DANS V836840993
 ENTHALTEN IN V836840993
 INCLUYE EN V836840993



D-HB19-009-B

1	V836855506		1	EXHAUST MANIFOLD	COLLECTEUR ECHAP	AUSPUFFKRUEMMER	COLECTOR ESCAPE
2	V836859034		10	STUD	GOIJON	STEBOLZEN	ESPARRAGO ROSCA.
3	V836859188		2	BOLT	BOULON	BOLZEN	BULON
4	V513601002		12	NUT	ECROU	MUTTER	TUERCA
5	V836847493		1	INTAKE MANIFOLD	COLLECTEUR ADMIS	SAUGKRUEMMER	COLECTOR ADMISIO
6	V836847496	[A]	2	GASKET	JOINT	FLACHDICHTUNG	JUNTA PLANA
7	V529801510		8	SCREW	VIS	SCHRAUBE	TORNILLO
8	V529801530		3	SCREW	VIS	SCHRAUBE	TORNILLO
9	V529801562		2	SCREW	VIS	SCHRAUBE	TORNILLO
10	V529801470		2	SCREW	VIS	SCHRAUBE	TORNILLO
11	V836866152		1	PIPE	TUYAU	TUBE	TUBO
12	V836847532	[A]	2	GASKET	JOINT	FLACHDICHTUNG	JUNTA PLANA
13	V529801480		4	SCREW	VIS	SCHRAUBE	TORNILLO
14	V500950800		4	WASHER	RONDELLE	SCHEIBE	ARANDELA
15	V836864497	8300	1	SOLENOID	SOLENOIDE	MAGNETSPULE	SOLENOIDE
		12V/200A					
15	V836666759	8350	1	SOLENOID	SOLENOIDE	MAGNETSPULE	SOLENOIDE
		12V/150A					
16	V836864398		1	HEATER	CHAUFFAGE	HEIZUNG	CALENTADOR
17	V641086008		1	VALVE	SOUPAPE	VENTIL	VALVULA
18	V836852301		1	TUBE	TUBE	ROHR	TUBO.
19	V640435008		2	SCREW	VIS	SCHRAUBE	TORNILLO
20	V615881216	[A]	4	GASKET	JOINT	FLACHDICHTUNG	JUNTA PLANA
21	V836855774		1	ANGLE.	EQUERRE.	WINKEL	ANGULO
22	V546801800		4	BOLT	BOULON	BOLZEN	BULON

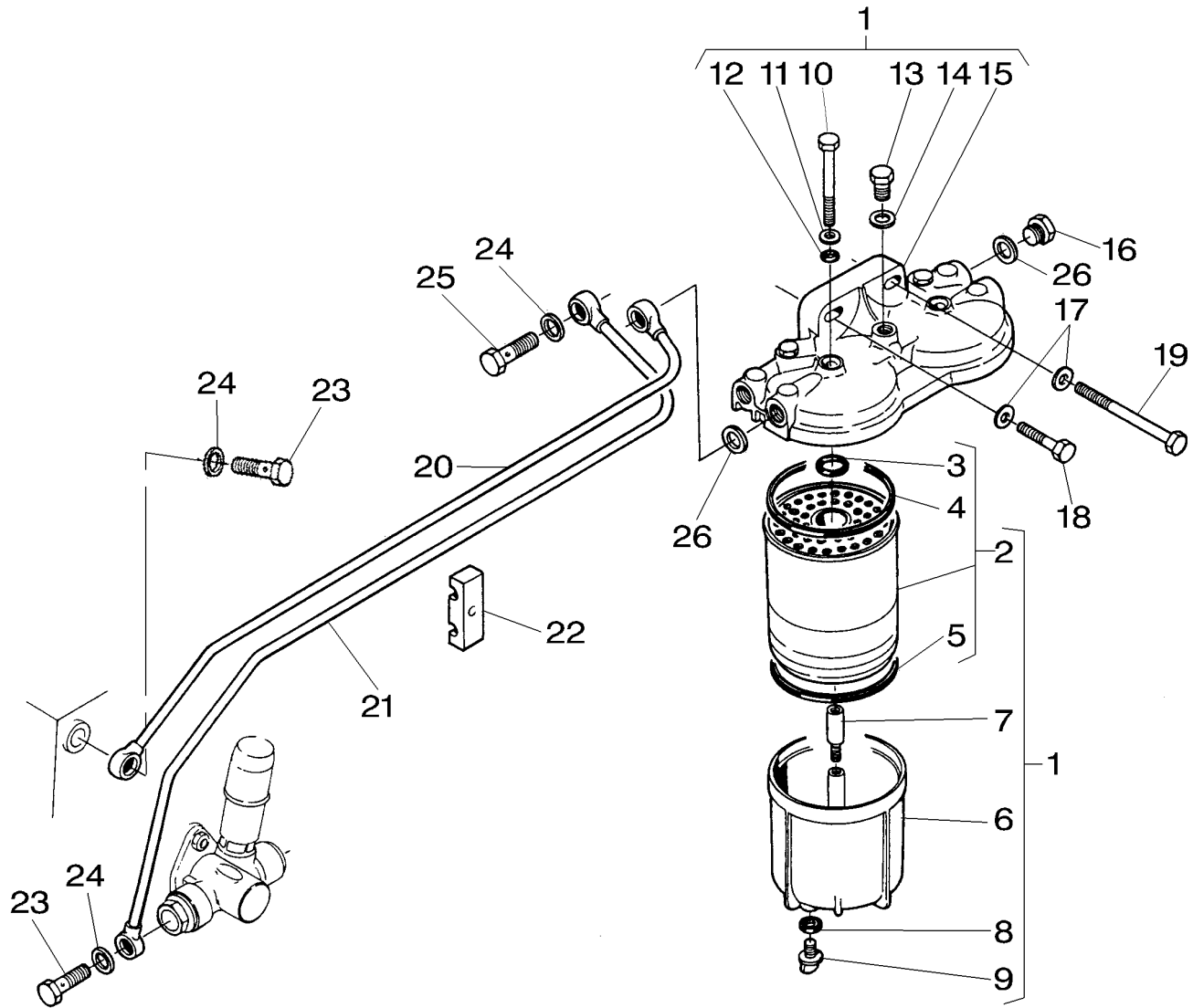
[A] INCLUDED IN V836840993
 COMPRIS DANS V836840993
 ENTHALTEN IN V836840993
 INCLUYE EN V836840993



D-HB19-011-A

1	V836855506		1	EXHAUST MANIFOLD	COLLECTEUR ECHAP	AUSPUFFKRUEMMER	COLECTOR ESCAPE
2	V513601002		12	NUT	ECROU	MUTTER	TUERCA
3	V836859188	M10 X 100	2	BOLT	BOULON	BOLZEN	BULON
4	V836859034	M10 X 130	10	STUD	GOUJON	STEBBOLZEN	ESPARRAGO ROSCA.
5	V598355365		1	DOWEL	PLOT	ZYLINDERSTIFT	CENTRAJE
6	V837070219		1	INTAKE MANIFOLD	COLLECTEUR ADMIS	SAUGKRUEMMER	COLECTOR ADMISIO
7	V529801470	M8 X 60	3	SCREW	VIS	SCHRAUBE	TORNILLO
8	V837069009	[A]	2	GASKET	JOINT	FLACHDICHTUNG	JUNTA PLANA
9	V529801480	M8 X 65	1	SCREW	VIS	SCHRAUBE	TORNILLO
10	V546801490	M8 X 70	3	BOLT	BOULON	BOLZEN	BULON
11	V836867642		1	PIPE	TUYAU	TUBE	TUBO
12	V837067345	[A]	2	GASKET	JOINT	FLACHDICHTUNG	JUNTA PLANA
13	V837067295	12V	1	HEATER	CHAUFFAGE	HEIZUNG	CALENTADOR
14	V837070228		1	PLATE	PLAQUE	PLATTE	PLATO
15	V837069047	12V	1	SOLENOID	SOLENOIDE	MAGNETSPULE	SOLENOIDE
16	V510600602	M6	2	NUT	ECROU	MUTTER	TUERCA
17	V528801082	M6 X 20	3	SCREW	VIS	SCHRAUBE	TORNILLO
18	V528801400	M8 X 25	3	SCREW	VIS	SCHRAUBE	TORNILLO
19	V528901550	M8 X 100	1	SCREW	VIS	SCHRAUBE	TORNILLO
20	V529801530	M8 X 90	2	SCREW	VIS	SCHRAUBE	TORNILLO
21	V504800800	M8	1	NUT	ECROU	MUTTER	TUERCA
22	V528801410	M8 X 30	8	ADJUSTING SCREW	VIS REGLAGE	EINSTELLSCHRAUBE	TORNILLO AJUSTA
23	V837070328		1	SUPPORT	SUPPORT	TRAGER	SOPORTE
24	V836119384		2	SLEEVE	MANCHON	HUELSE	MANGUITO
25	V529801440	M8 X 45	2	SCREW	VIS	SCHRAUBE	TORNILLO
26	V836015967		1	WASHER	RONDELLE	SCHEIBE	ARANDELA
27	V528801420	M8 X 35	1	SCREW	VIS	SCHRAUBE	TORNILLO
28	V836747849		1	BRACKET	SUPPORT FIXATION	HALTEAM	SOPORTE

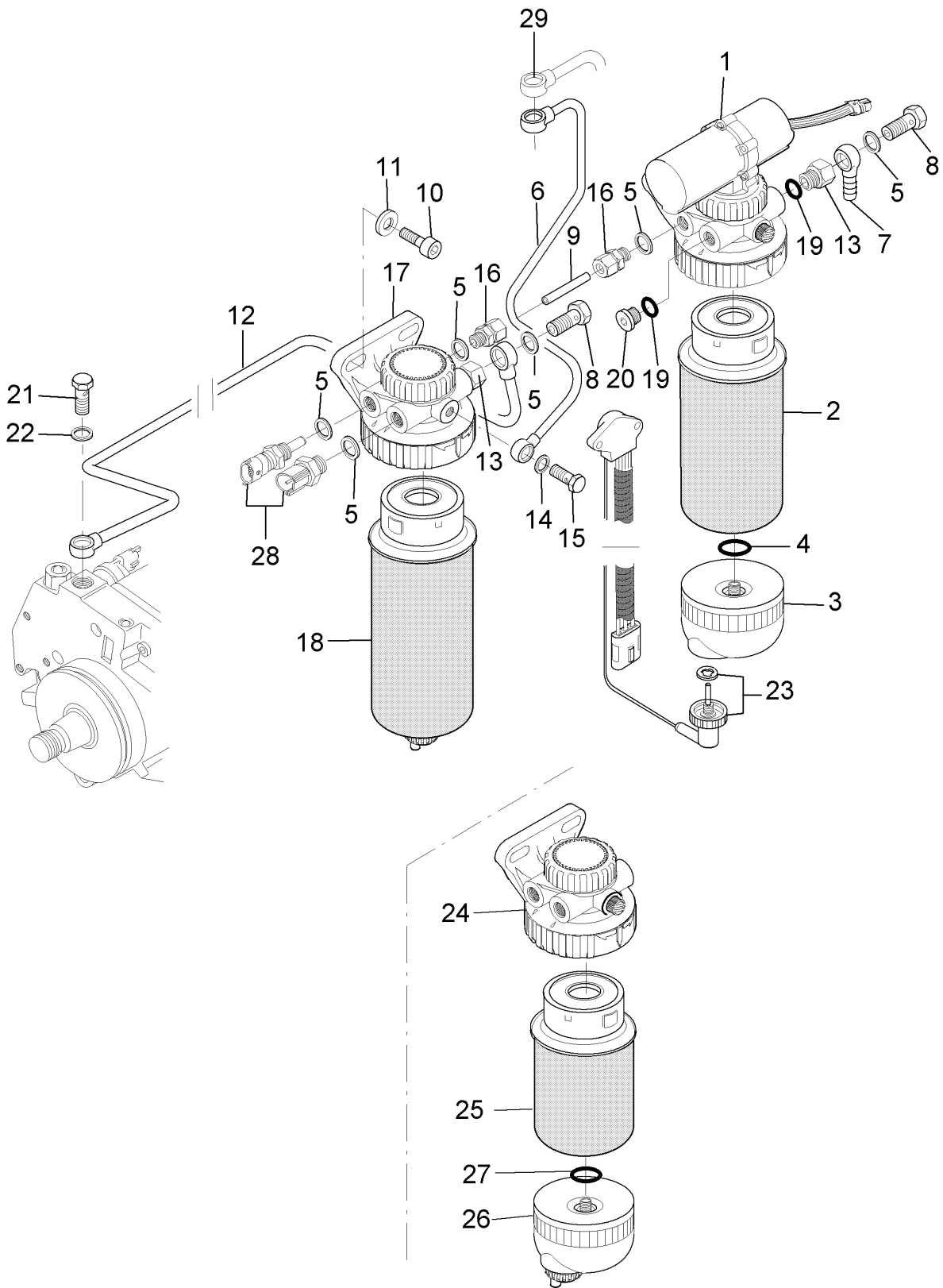
[A] INCLUDED IN KIT V837062627
INCLUS DANS JEU V837062627
ENTHALTEN IN KIT V837062627
INCLUYE EN KIT V837062627



D-HB18-010-C

Engine Part Number	Quantity	Notes	Fuel Filter Part Number	Fuel Filter Description	Fuel Filter Description	Fuel Filter Description	Fuel Filter Description
1 V836339370			1 FUEL FILTER	FILTRE CARBURANT	KRAFTSTOFFFILTER	FILTRO COMBUSTI.	
2 1896287M91	1	CAV	2 FUEL ELEMENT	ELEMENTCARBURANT	FILTREINSATZ.	ELEMENTO GASOLEO	
2 3405419M1			2 FUEL ELEMENT	ELEMENTCARBURANT	FILTREINSATZ.	ELEMENTO GASOLEO	
3 V836015142	2		1 O RING	JOINT TORIQUE	O-RING	JUNTA TOROIDAL	
4 V835330014	2		1 GASKET	JOINT	FLACHDICHTUNG	JUNTA PLANA	
5 V835330015	2		1 GASKET	JOINT	FLACHDICHTUNG	JUNTA PLANA	
6 V836340045	1		2 BOWL	BOL	BECHER	TAZA	
7 V836339372	1		2 STUD	GOIJON	STEBOLZEN	ESPARRAGO ROSCA.	
8 V836015147	1		2 GASKET	JOINT	FLACHDICHTUNG	JUNTA PLANA	
9 V836015148	1		2 PLUG	BOUCHON	STOPFEN	TAPON	
10 V836015149	1		2 SCREW	VIS	SCHRAUBE	TORNILLO	
11 V836015918	1		2 WASHER	RONDELLE	SCHEIBE	ARANDELA	
12 V836015919	1		2 O RING	JOINT TORIQUE	O-RING	JUNTA TOROIDAL	
13 V836015958	1		1 PLUG	BOUCHON	STOPFEN	TAPON	
14 V615871014	1	[A]	1 O RING	JOINT TORIQUE	O-RING	JUNTA TOROIDAL	
15 V836015959	1		1 COVER	COUVERCLE	ABDECKUNG.	CUBIERTA	
16 V836117323			2 PLUG	BOUCHON	STOPFEN	TAPON	
17 V836120989			2 WASHER	RONDELLE	SCHEIBE	ARANDELA	
18 V528801420			1 SCREW	VIS	SCHRAUBE	TORNILLO	
19 V529801550			1 SCREW	VIS	SCHRAUBE	TORNILLO	
20 V836855989			1 TAIL PIPE	TUBE ECHAPPEMENT	AUSPUFFROHR	TUBO DE ESCAPE	
21 V836855988			1 TUBE	TUBE	ROHR	TUBO.	
22 V836655527			2 BAND	BANDE	BAND	BANDA	
23 V640435010			2 SCREW	VIS	SCHRAUBE	TORNILLO	
24 V615881418		[A]	6 SEAL	JOINT ETANCHEITE	DICHTRING	JUNTA REDONDA	
25 V836429560			2 SCREW	VIS	SCHRAUBE	TORNILLO	
26 V615581317		[A]	4 SEAL	JOINT ETANCHEITE	DICHTRING	JUNTA REDONDA	

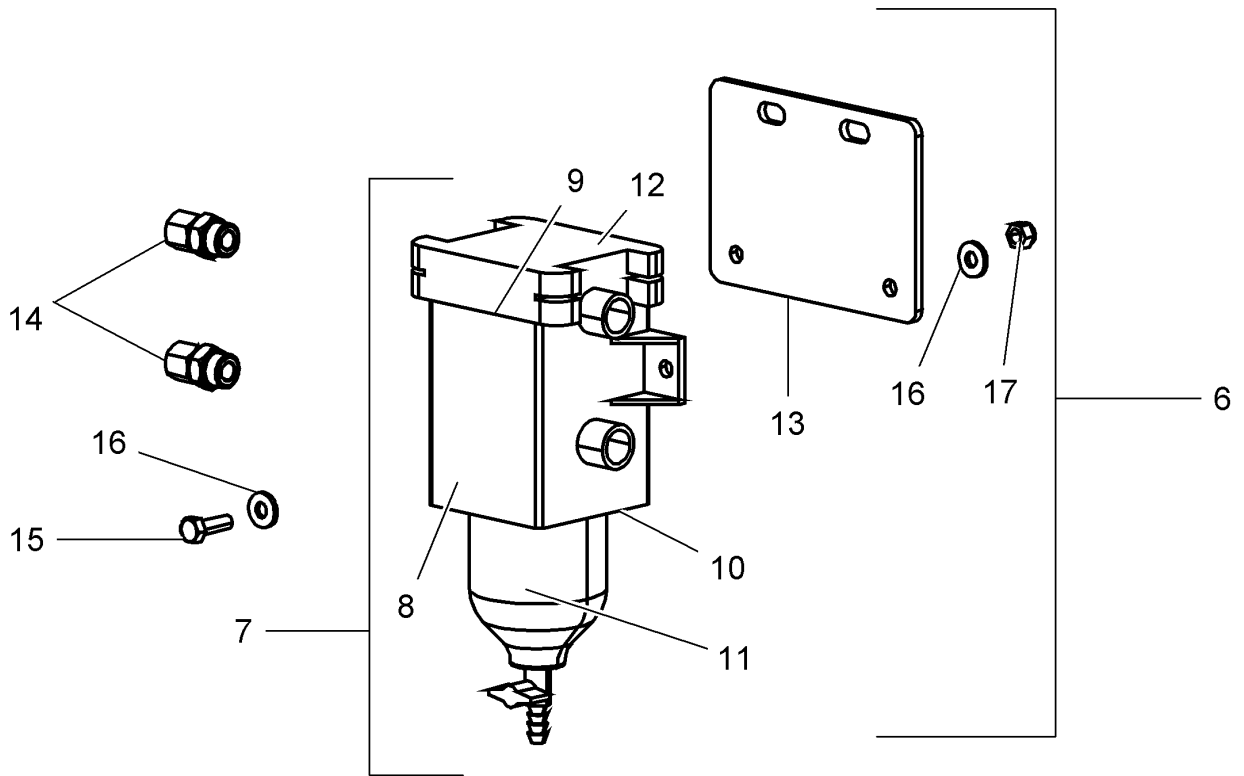
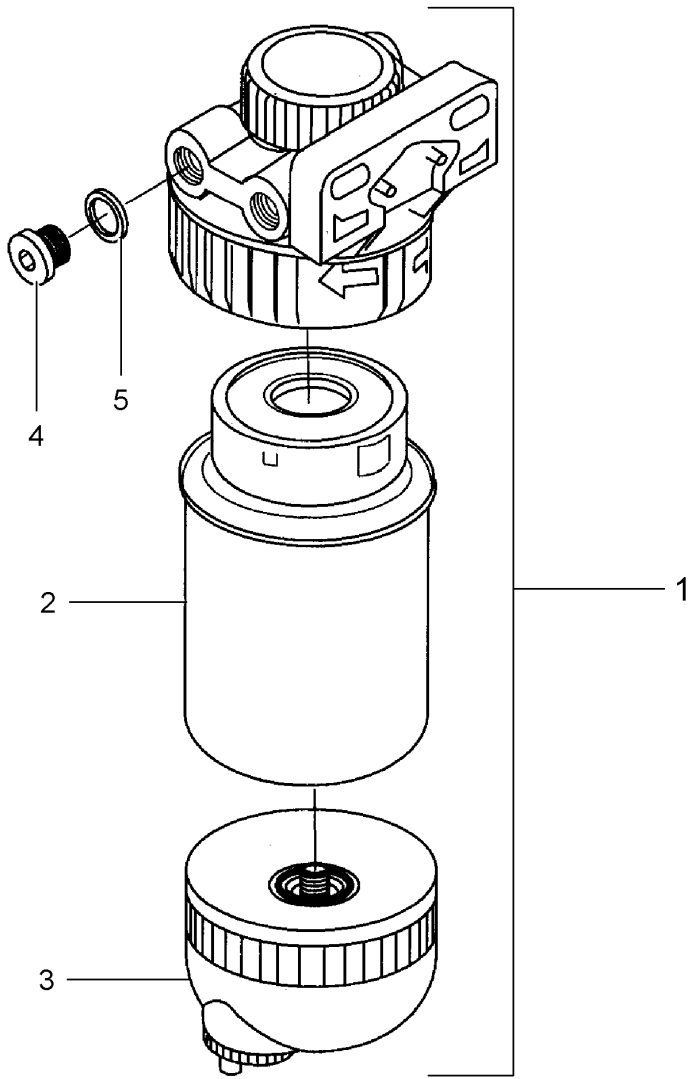
[A] INCLUDED IN V836840993
 COMPRIS DANS V836840993
 ENTHALTEN IN V836840993
 INCLUYE EN V836840993



D-HB18-013-A

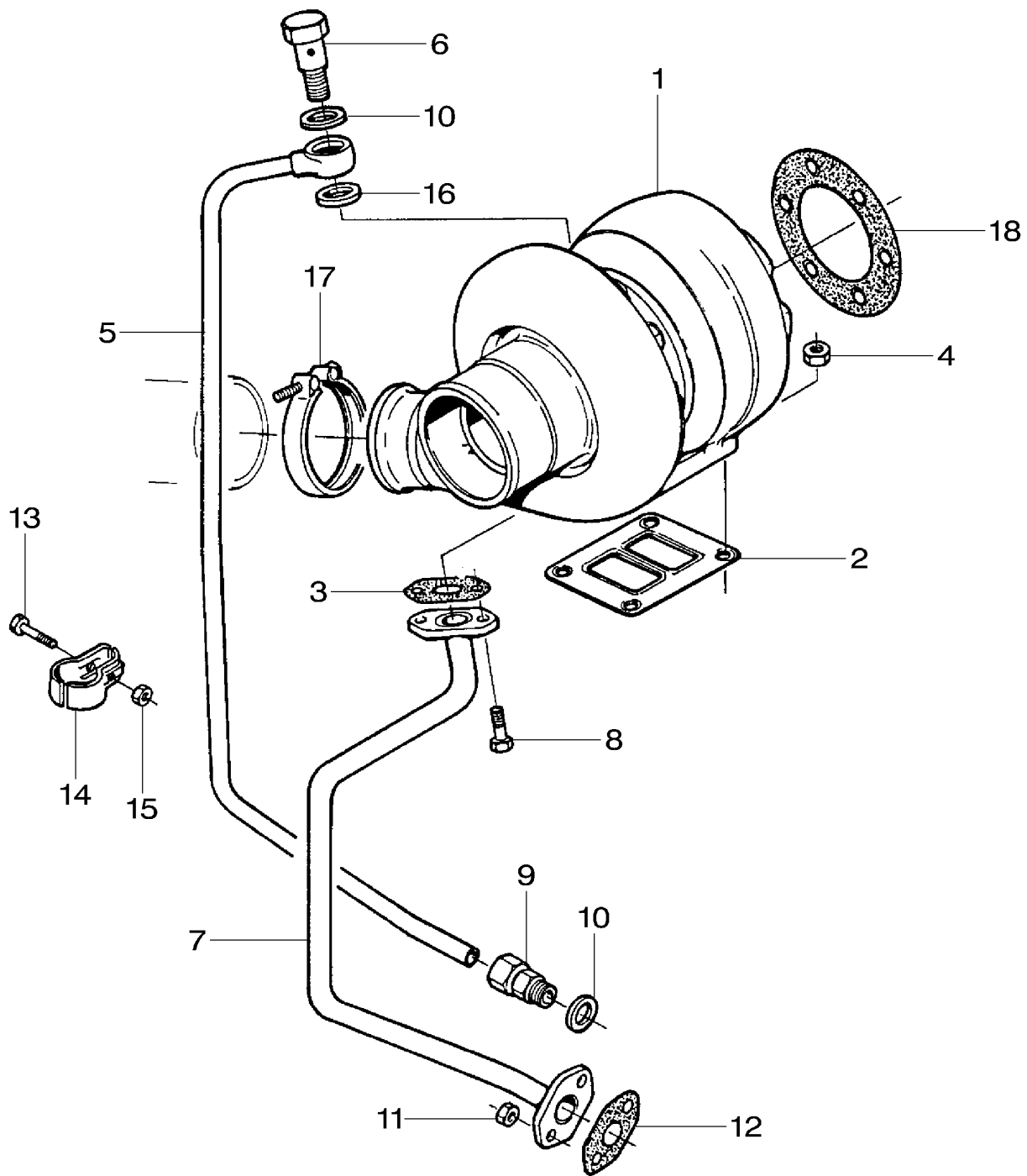
1	V836867602		1	PREFILTER	PREFILTRE	VORREINIG.SIEB	PRELIMPIADOR
2	V836867591	1	1	FUEL ELEMENT	ELEMENTCARBURANT	FILTREINSATZ.	ELEMENTO GASOLEO
3	V836862051	1	1	SEPARATOR	SEPARATEUR	TEILER	DIVISOR
4	V836862496	3	1	O RING	JOINT TORIQUE	O-RING	JUNTA TOROIDAL
5	V615881420	[A]	10	GASKET	JOINT	FLACHDICHTUNG	JUNTA PLANA
6	V837070253		1	FUEL PIPE	TUYAU ALIMENTAT.	KRAFTSTOFFROHR	TUBO ALIMENTACI.
7	V640255210		1	PIPE	TUYAU	TUBE	TUBO
8	V640435010		2	SCREW	VIS	SCHRAUBE	TORNILLO
9	V837070223		1	FUEL LINE	TUYAU CARBURANT	KRAFTST.LEITUNG	TUBO COMBUSTIBLE
10	V581705030	M10X30	4	SCREW	VIS	SCHRAUBE	TORNILLO
11	V836122910		4	WASHER	RONDELLE	SCHEIBE	ARANDELA
12	V837070252		1	FUEL PIPE	TUYAU ALIMENTAT.	KRAFTSTOFFROHR	TUBO ALIMENTACI.
13	V836336934		2	UNION	RACCORD	VERSCHRAUBUNG	RACOR
14	V615871014	[A]	2	O RING	JOINT TORIQUE	O-RING	JUNTA TOROIDAL
15	V640435006		1	SCREW	VIS	SCHRAUBE	TORNILLO
16	V641086010		2	UNION	RACCORD	VERSCHRAUBUNG	RACOR
17	V836867593	17	1	FUEL FILTER	FILTRE CARBURANT	KRAFTSTOFFILTER	FILTRO COMBUSTI.
18	V836867595	[A]	1	FUEL ELEMENT	ELEMENTCARBURANT	FILTREINSATZ.	ELEMENTO GASOLEO
19	V614601125		2	O RING	JOINT TORIQUE	O-RING	JUNTA TOROIDAL
20	V640325014		2	PLUG	BOUCHON	STOPFEN	TAPON
21	V640435008		1	SCREW	VIS	SCHRAUBE	TORNILLO
22	V615881216	[A]	2	GASKET	JOINT	FLACHDICHTUNG	JUNTA PLANA
23	V836866576	WATER	1	SENSOR	DETECTEUR	SENSOR	DETECTOR
24	V836859713		1	PRE FILTER	PRE FILTRE	VORFILTER	PRE FILTRO
25	V836859302	24	1	CONTAINER	CUVE	BEHAELTER	CONTENEDOR
26	V836862051	24	1	SEPARATOR	SEPARATEUR	TEILER	DIVISOR
27	V836862496	26	1	O RING	JOINT TORIQUE	O-RING	JUNTA TOROIDAL
28		8-45 No	X	SENSOR	DETECTEUR	SENSOR	DETECTOR
29		8-23 No	X	FUEL PIPE	TUYAU ALIMENTAT.	KRAFTSTOFFROHR	TUBO ALIMENTACI.

[A] INCLUDED IN KIT V837062628
INCLUS DANS JEU V837062628
ENTHALTEN IN KIT V837062628
INCLUYE EN KIT V837062628



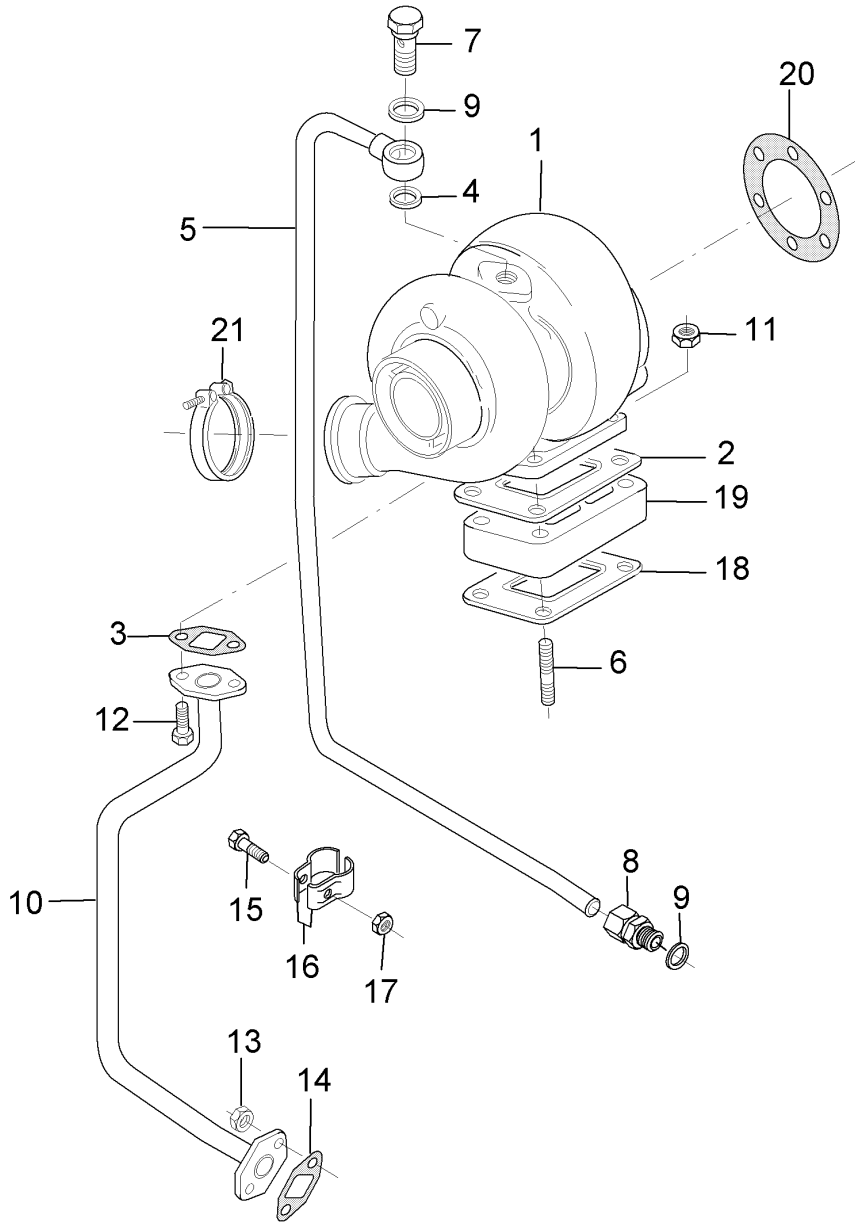
D-HB30-006-C

1	V836859713		1	PRE FILTER	PRE FILTRE	VORFILTER	PRE FILTRO
2	V836859302	1	1	CONTAINER	CUVE	BEHAELTER	CONTENEDOR
3	V836862051	1	1	SEPARATOR	SEPARATEUR	TEILER	DIVISOR
4	V640325014		2	PLUG	BOUCHON	STOPFEN	TAPON
5	V615881418		2	SEAL	JOINT ETANCHEITE	DICHTRING	JUNTA REDONDA
6*	D28782945	➡ 61810	1	PRE FILTER	PRE FILTRE	VORFILTER	PRE FILTRO
7*	D46490049	6 ➡ 61810	1	CONTAINER	CUVE	BEHAELTER	CONTENEDOR
8*	D71412027	7 ➡ 61810	1	BODY	CORPS	RUMPF	CUERPO
9*	D71412028	7 ➡ 61810	1	SEAL	JOINT ETANCHEITE	DICHTRING	JUNTA REDONDA
10*	D71412029	7 ➡ 61810	1	SEAL	JOINT ETANCHEITE	DICHTRING	JUNTA REDONDA
11*	D71412030	7 ➡ 61810	1	FILTER ELEMENT	ELEMENT FILTRANT	FILTREINSATZ	ELEMENTO FILTRAN
12*	D71412031	7 ➡ 61810	1	COVER	COUVERCLE	ABDECKUNG.	CUBIERTA
13*	D28787497	6 ➡ 61810	1	PLATE	PLAQUE	PLATTE	PLATO
14*	D45255901	6 ➡ 61810	2	UNION	RACCORD	VERSCHRAUBUNG	RACOR
15*	D40405000	6 ➡ 61810	2	HEX. SOCK. SCREW	VIS TETE HEX	ZYLINDERSCHRAUBE	TORN.CAB.HUECA
16*	D20400506	6 ➡ 61810	4	WASHER	RONDELLE	SCHEIBE	ARANDELA
17*	D41087500	6 ➡ 61810	2	LOCKNUT	ECROU FREIN	SICHERUNGSMUTTER	CONTRATUERCA



D-HB21-001-B

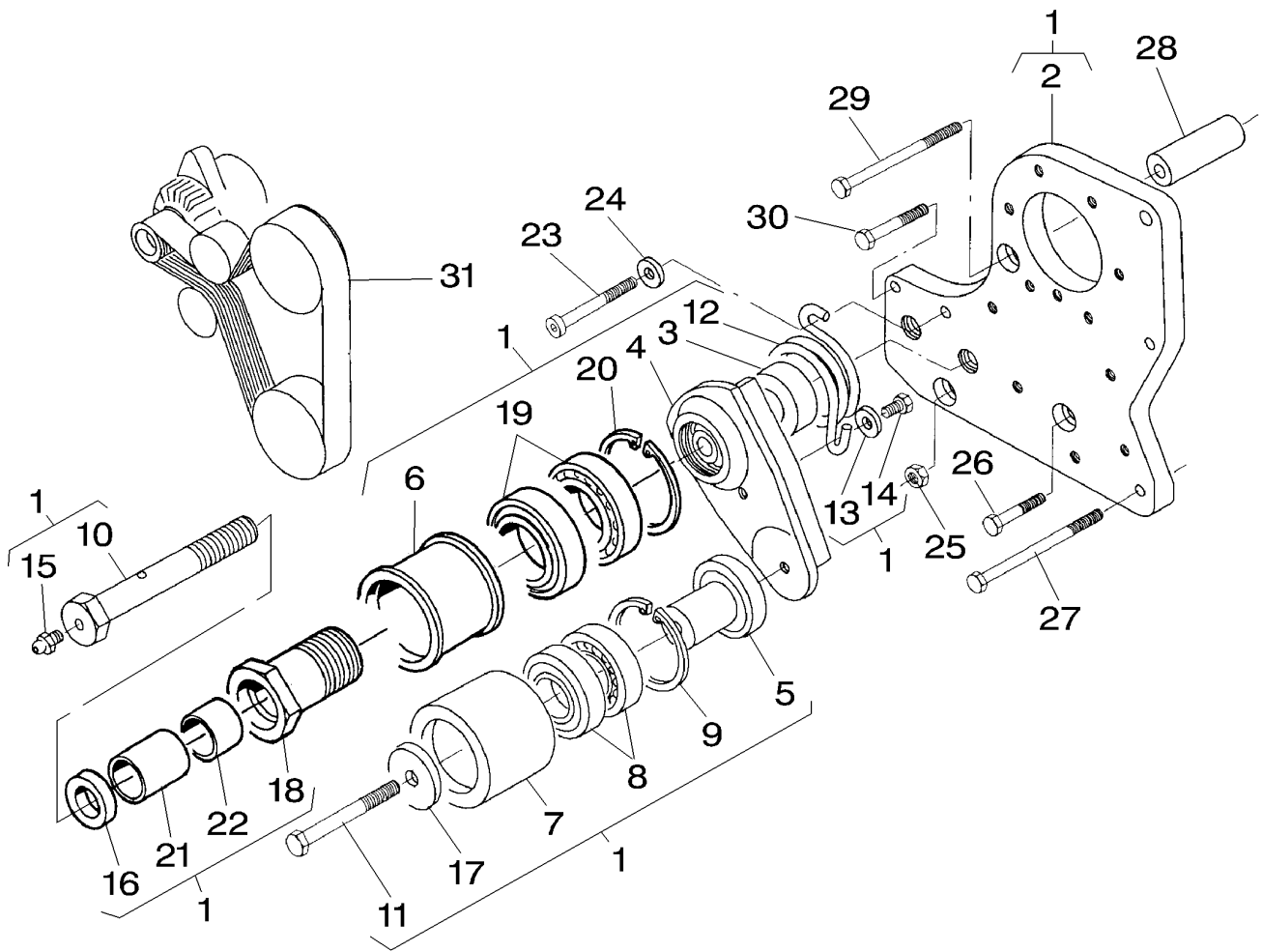
1	V836840885		1	TURBOCHARGER	TURBOCOMPRESSEUR	TURBOLADER	TURBOCOMPRESOR
2	V836840992	1	1	GASKET	JOINT	FLACHDICHTUNG	JUNTA PLANA
3	V836866809	1 ⇒ V836324580	1	GASKET	JOINT	FLACHDICHTUNG	JUNTA PLANA
4	V521601000		4	NUT	ECROU	MUTTER	TUERCA
5	V836859136		1	TAIL PIPE	TUBE ECHAPPEMENT	AUSPUFFROHR	TUBO DE ESCAPE
6	V836855714		1	SCREW	VIS	SCHRAUBE	TORNILLO
7	V836859137		1	TAIL PIPE	TUBE ECHAPPEMENT	AUSPUFFROHR	TUBO DE ESCAPE
8	V528801380		2	SCREW	VIS	SCHRAUBE	TORNILLO
9	V641086012		1	UNION	RACCORD	VERSCHRAUBUNG	RACOR
10	V615881620		1	SEAL	JOINT ETANCHEITE	DICHTRING	JUNTA REDONDA
11	V504800800		2	NUT	ECROU	MUTTER	TUERCA
12	V836866809	⇒ V836324580	1	GASKET	JOINT	FLACHDICHTUNG	JUNTA PLANA
13	V529801112		1	SCREW	VIS	SCHRAUBE	TORNILLO
14	V835324324		2	BRACKET	SUPPORT FIXATION	HALTEARM	SOPORTE
15	V504600602		1	NUT	ECROU	MUTTER	TUERCA
16	V615881420		1	GASKET	JOINT	FLACHDICHTUNG	JUNTA PLANA
17	V836840930		1	CLAMP	COLLIER	HALTESCHELLE	ABRAZADERA
18	V886325175		1	GASKET	JOINT	FLACHDICHTUNG	JUNTA PLANA



D-HB21-009-A

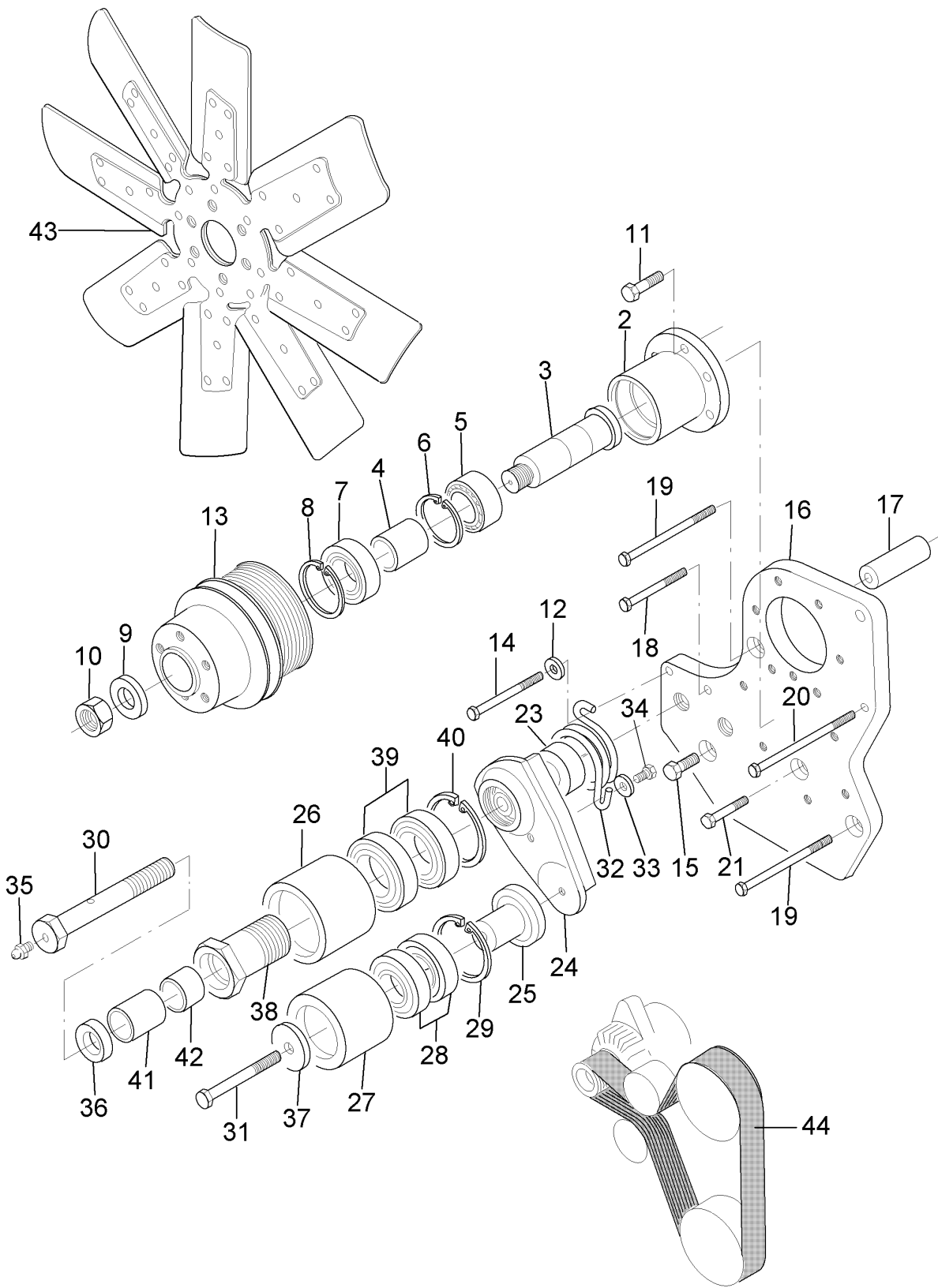
1	V837070171		1	TURBOCHARGER	TURBOCOMPRESSEUR	TURBOLADER	TURBOCOMPRESOR
2	V836840992	1 [A]	1	GASKET	JOINT	FLACHDICHTUNG	JUNTA PLANA
3	V836866809	1 [A]	1	GASKET	JOINT	FLACHDICHTUNG	JUNTA PLANA
4	V615881420	[A]	1	GASKET	JOINT	FLACHDICHTUNG	JUNTA PLANA
5	V836867822		1	PIPE	TUYAU	TUBE	TUBO
6	V546701850	M10X50	4	BOLT	BOULON	BOLZEN	BULON
7	V836855714		1	SCREW	VIS	SCHRAUBE	TORNILLO
8	V641086012		1	UNION	RACCORD	VERSCHRAUBUNG	RACOR
9	V615881620	[A]	2	SEAL	JOINT ETANCHEITE	DICHTRING	JUNTA REDONDA
10	V836867823		1	PIPE	TUYAU	TUBE	TUBO
11	V521601000		4	NUT	ECROU	MUTTER	TUERCA
12	V528801380	M8X20	2	SCREW	VIS	SCHRAUBE	TORNILLO
13	V504800800	M8	2	NUT	ECROU	MUTTER	TUERCA
14	V836866809		1	GASKET	JOINT	FLACHDICHTUNG	JUNTA PLANA
15	V529801112	M6X30	1	SCREW	VIS	SCHRAUBE	TORNILLO
16	V835324324		2	BRACKET	SUPPORT FIXATION	HALTEARM	SOPORTE
17	V504600602	M6	1	NUT	ECROU	MUTTER	TUERCA
18	V836840992		1	GASKET	JOINT	FLACHDICHTUNG	JUNTA PLANA
19	V836855709		1	FLANGE	FLASQUE	FLANSCH	PLETINA
20	V886325175	[A]	1	GASKET	JOINT	FLACHDICHTUNG	JUNTA PLANA
21	V836840930		1	CLAMP	COLLIER	HALTESCHELLE	ABRAZADERA

[A] INCLUDED IN KIT V837062627
INCLUS DANS JEU V837062627
ENTHALTEN IN KIT V837062627
INCLUYE EN KIT V837062627



D-HB23-009-B

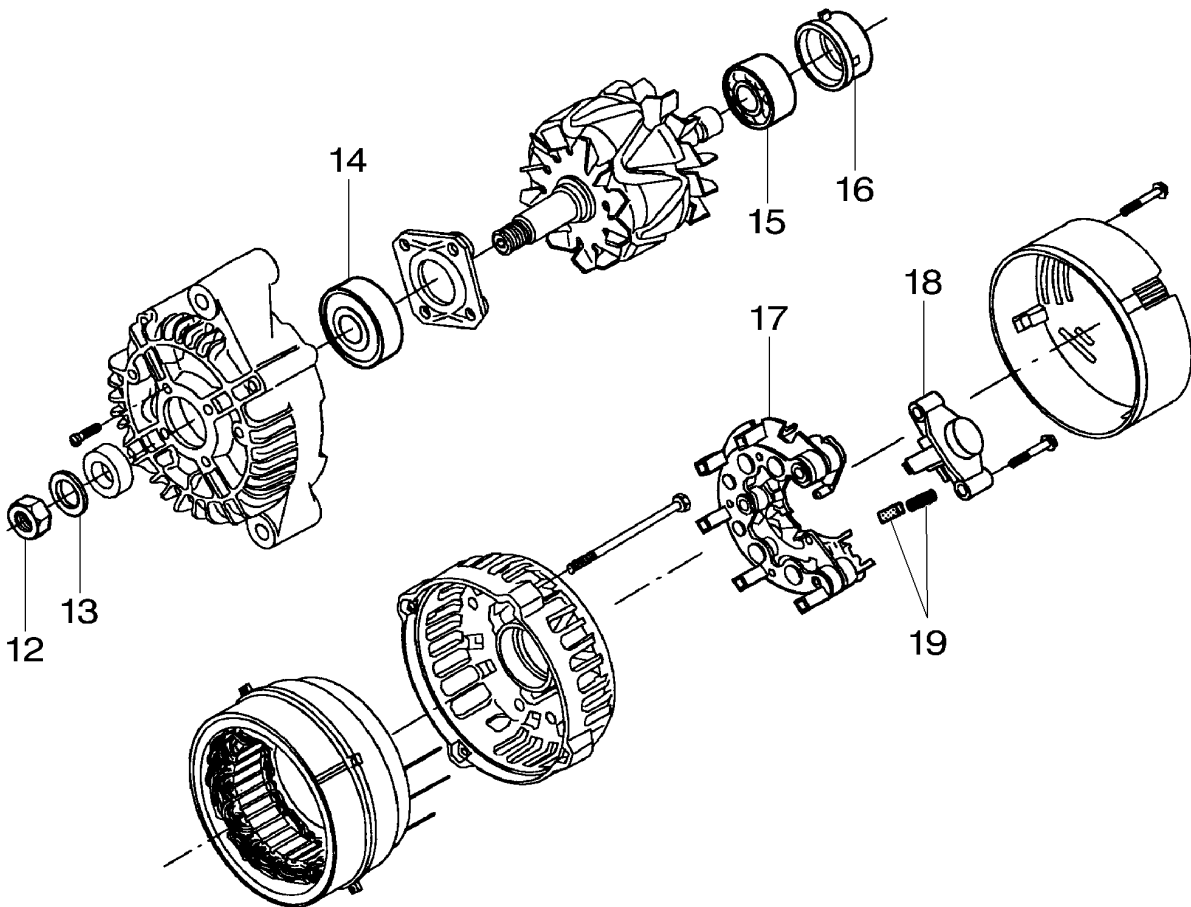
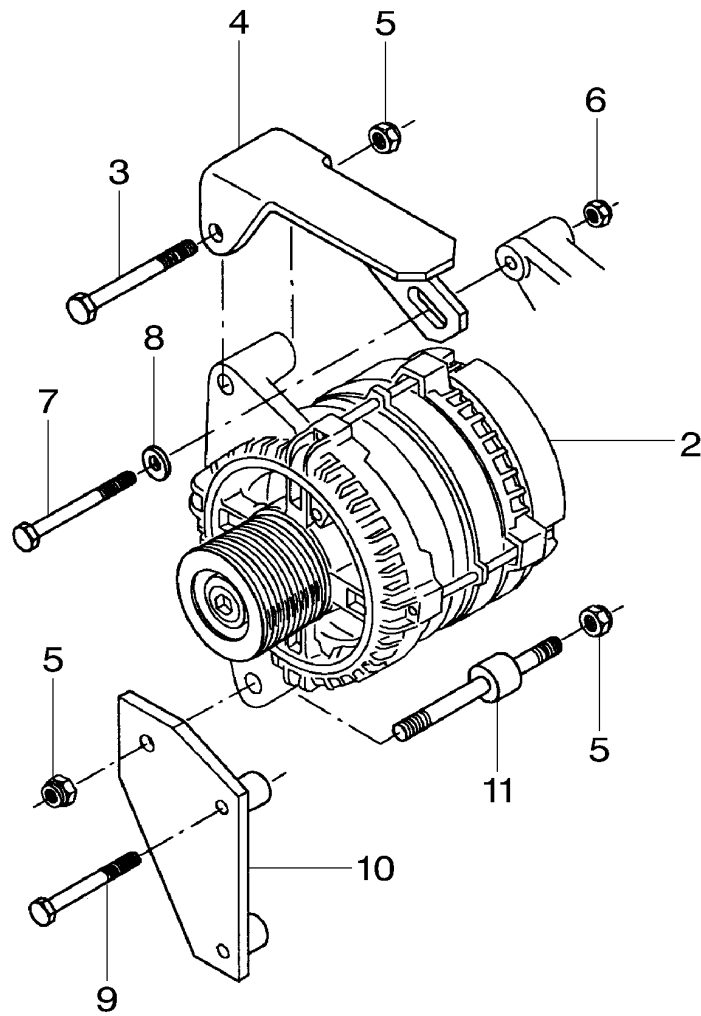
1	V836864296		1	TENSIONER	TENDEUR	SPANNER	TENSOR
2	V836855935	1	1	PLATE	PLAQUE	PLATTE	PLATO
3	V836859348	1	1	SHAFT	ARBRE	WELLE	ARBOL
4	V836859347	1	1	SUPPORT	SUPPORT	TRAGER	SOPORTE
5	V836855789	1	1	SHAFT	ARBRE	WELLE	ARBOL
6	V836859683	1	1	ROLL	ROULEAU	WALZE	RULO
7	V836855666	1	1	ROLL	ROULEAU	WALZE	RULO
8*	339581X1	1	2	BEAR. 6205 2RS	RLT 6205 2RS	LAGER 6205 2RS	RODA. 6205 2RS
9	V617330052	1	1	CIRCLIP	CIRCLIP	SEEGERING	GRAPA CIRCULAR
10	V836859357	1	1	SCREW	VIS	SCHRAUBE	TORNILLO
11	V529701880	1	1	SCREW	VIS	SCHRAUBE	TORNILLO
12	V836855689	1	1	SPRING	RESSORT	FEDER	MUELLE
13	V836120989	1	1	WASHER	RONDELLE	SCHEIBE	ARANDELA
14	V528801360	1	1	SCREW	VIS	SCHRAUBE	TORNILLO
15	V644611006	1	1	GREASE FITTING	GRAISSEUR	DRUCKSCHMIERKOPF	ENGRASADOR
16	V836859356	1	1	PLATE	PLAQUE	PLATTE	PLATO
17	V836855941	1	1	PLATE	PLAQUE	PLATTE	PLATO
18	V836859684	1	1	SHAFT	ARBRE	WELLE	ARBOL
19	V610060085	1	2	BEARING ASSY	ROULEMENT	RADIALLAGER	RODAMIENTO RAD
20	V617330068	1	1	CIRCLIP	CIRCLIP	SEEGERING	GRAPA CIRCULAR
21	V836859364	1	1	BUSH	BAGUE	RING	CASQUILLO
22	V836859363	1	1	BUSH	BAGUE	RING	CASQUILLO
23	V529801520		1	SCREW	VIS	SCHRAUBE	TORNILLO
24	V836120989		1	WASHER	RONDELLE	SCHEIBE	ARANDELA
25	V504801000		1	NUT	ECROU	MUTTER	TUERCA
26	V529801440		1	SCREW	VIS	SCHRAUBE	TORNILLO
27	V529801562		2	SCREW	VIS	SCHRAUBE	TORNILLO
28	V836855934		2	SLEEVE	MANCHON	HUELSE	MANGUITO
29	V529801550		1	SCREW	VIS	SCHRAUBE	TORNILLO
30	V529801470		1	SCREW	VIS	SCHRAUBE	TORNILLO
31	V685121585		1	V BELT	COURROIE TRAPEZ	KEILRIEMEN	CORREA EN V



D-HB23-012-A

1	V836855762	[A]	1	KIT, SHAFT	JEU ARBRE	WELLEN-SATZ	JUEGO DE ARBOL
2	V836855758	1	1	HUB	MOYEU	NABE	CUBO
3	V836855755	1	1	SHAFT	ARBRE	WELLE	ARBOL
4	V836855757	1	1	SLEEVE	MANCHON	HUELSE	MANGUITO
5	V610032060	1	1	BEARING ASSY	ROULEMENT	RADIALLAGER	RODAMIENTO RAD
6	V617350062	1	1	CIRCLIP	CIRCLIP	SEEGERING	GRAPA CIRCULAR
7	V610063064	1	1	BEARING ASSY	ROULEMENT	RADIALLAGER	RODAMIENTO RAD
8	V617330072	1	1	CIRCLIP	CIRCLIP	SEEGERING	GRAPA CIRCULAR
9	V836855756	1	1	WASHER	RONDELLE	SCHEIBE	ARANDELA
10	V504602002	1 M20	1	NUT	ECROU	MUTTER	TUERCA
11	V528801810	M10X30	6	SCREW	VIS	SCHRAUBE	TORNILLO
12	V836120989		1	WASHER	RONDELLE	SCHEIBE	ARANDELA
13	V836859288		1	PULLEY	POULIE	RIEMENSCHLEIBE	POLEA
14	V529801490	M8X70	1	SCREW	VIS	SCHRAUBE	TORNILLO
15	V528801800	M10X25	1	SCREW	VIS	SCHRAUBE	TORNILLO
16	V836855935		1	PLATE	PLAQUE	PLATTE	PLATO
17	V836855934		2	SLEEVE	MANCHON	HUELSE	MANGUITO
18	V529801470	M8X60	1	SCREW	VIS	SCHRAUBE	TORNILLO
19	V529801550	M8X100	2	SCREW	VIS	SCHRAUBE	TORNILLO
20	V529801562	M8X110	1	SCREW	VIS	SCHRAUBE	TORNILLO
21	V529801450	M8X50	1	SCREW	VIS	SCHRAUBE	TORNILLO
22	V836864296	[A]	1	TENSIONER	TENDEUR	SPANNER	SENSOR
23	V836859348	22	1	SHAFT	ARBRE	WELLE	ARBOL
24	V836859347	22	1	SUPPORT	SUPPORT	TRAGER	SOPORTE
25	V836855789	22	1	SHAFT	ARBRE	WELLE	ARBOL
26	V836859683	22	1	ROLL	ROULEAU	WALZE	RULO
27	V836855666	22	1	ROLL	ROULEAU	WALZE	RULO
28*	339581X1	22	2	BEAR. 6205 2RS	RLT 6205 2RS	LAGER 6205 2RS	RODA. 6205 2RS
29	V617330052	22	1	CIRCLIP	CIRCLIP	SEEGERING	GRAPA CIRCULAR
30	V836859357	22	1	SCREW	VIS	SCHRAUBE	TORNILLO
31	V529701880	22 M10X65	1	SCREW	VIS	SCHRAUBE	TORNILLO
32	V836855689	22	1	SPRING	RESSORT	FEDER	MUELLE
33	V836120989	22	1	WASHER	RONDELLE	SCHEIBE	ARANDELA
34	V528801360	22 M8X16	1	SCREW	VIS	SCHRAUBE	TORNILLO
35	V644611006	22	1	GREASE FITTING	GRAISSEUR	DRUCKSCHMIERKOPF	ENGRASADOR
36	V836859356	22	1	PLATE	PLAQUE	PLATTE	PLATO
37	V836855941	22	1	PLATE	PLAQUE	PLATTE	PLATO
38	V836859684	22	1	SHAFT	ARBRE	WELLE	ARBOL
39	V610060085	22	2	BEARING ASSY	ROULEMENT	RADIALLAGER	RODAMIENTO RAD
40	V617330068	22	1	CIRCLIP	CIRCLIP	SEEGERING	GRAPA CIRCULAR
41	V836859364	22	1	BUSH	BAGUE	RING	CASQUILLO
42	V836859363	22	1	BUSH	BAGUE	RING	CASQUILLO
43	V836867656		1	FAN	VENTILATEUR	LÜFTER	VENTILADOR
44	V685121585		1	V BELT	COURROIE TRAPEZ	KEILRIEMEN	CORREA EN V

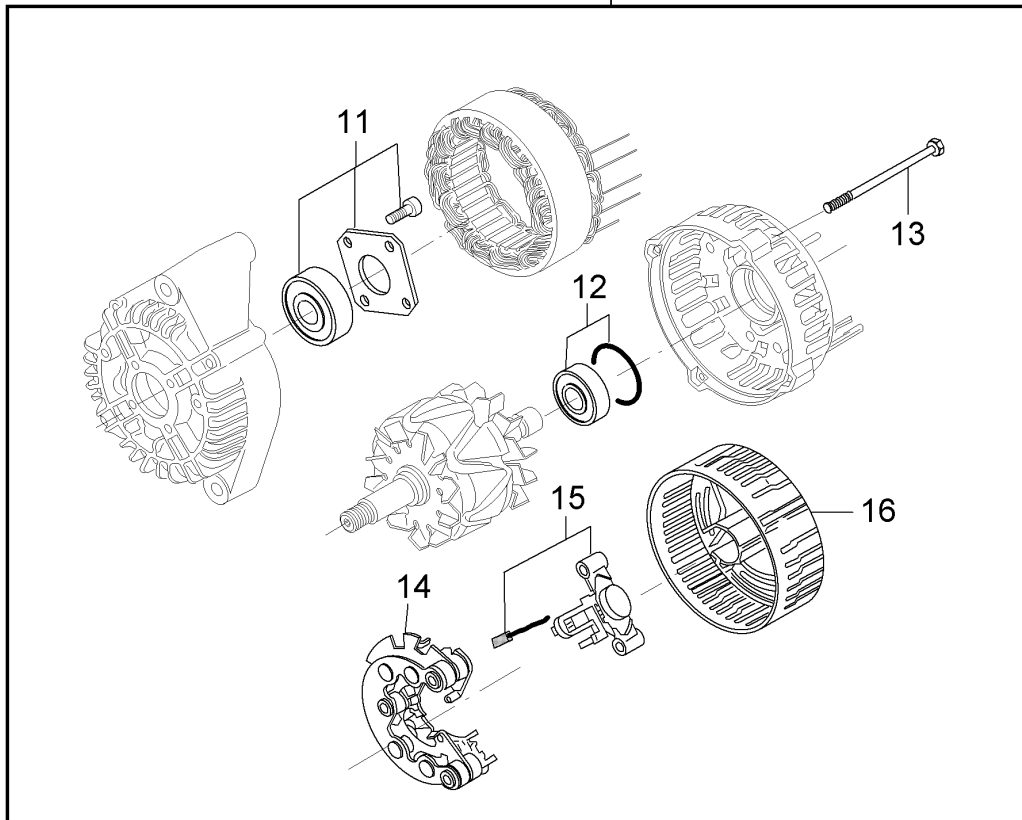
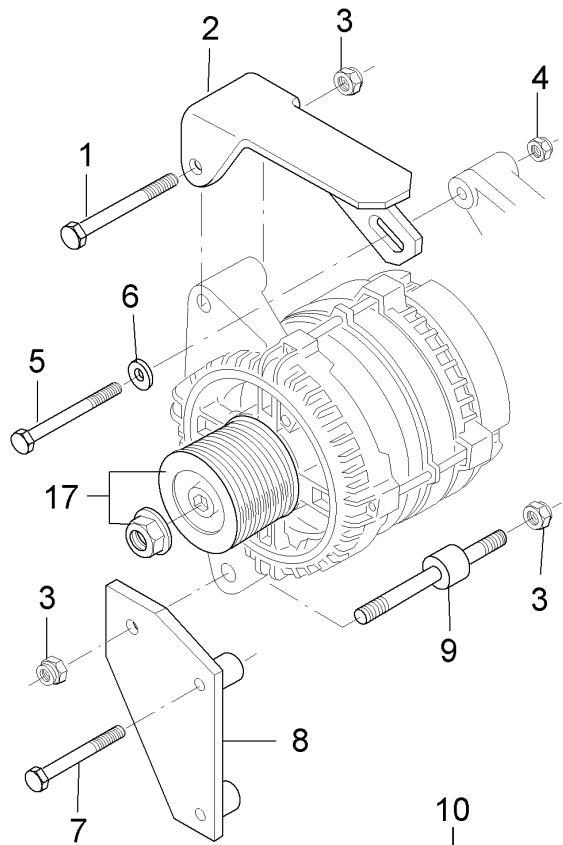
[A] NOT ILLUSTRATED
 NON ILLUSTRÉ
 NICHT ILLUSTRIRT
 NO ILUSTRADO



D-HB24-010-A

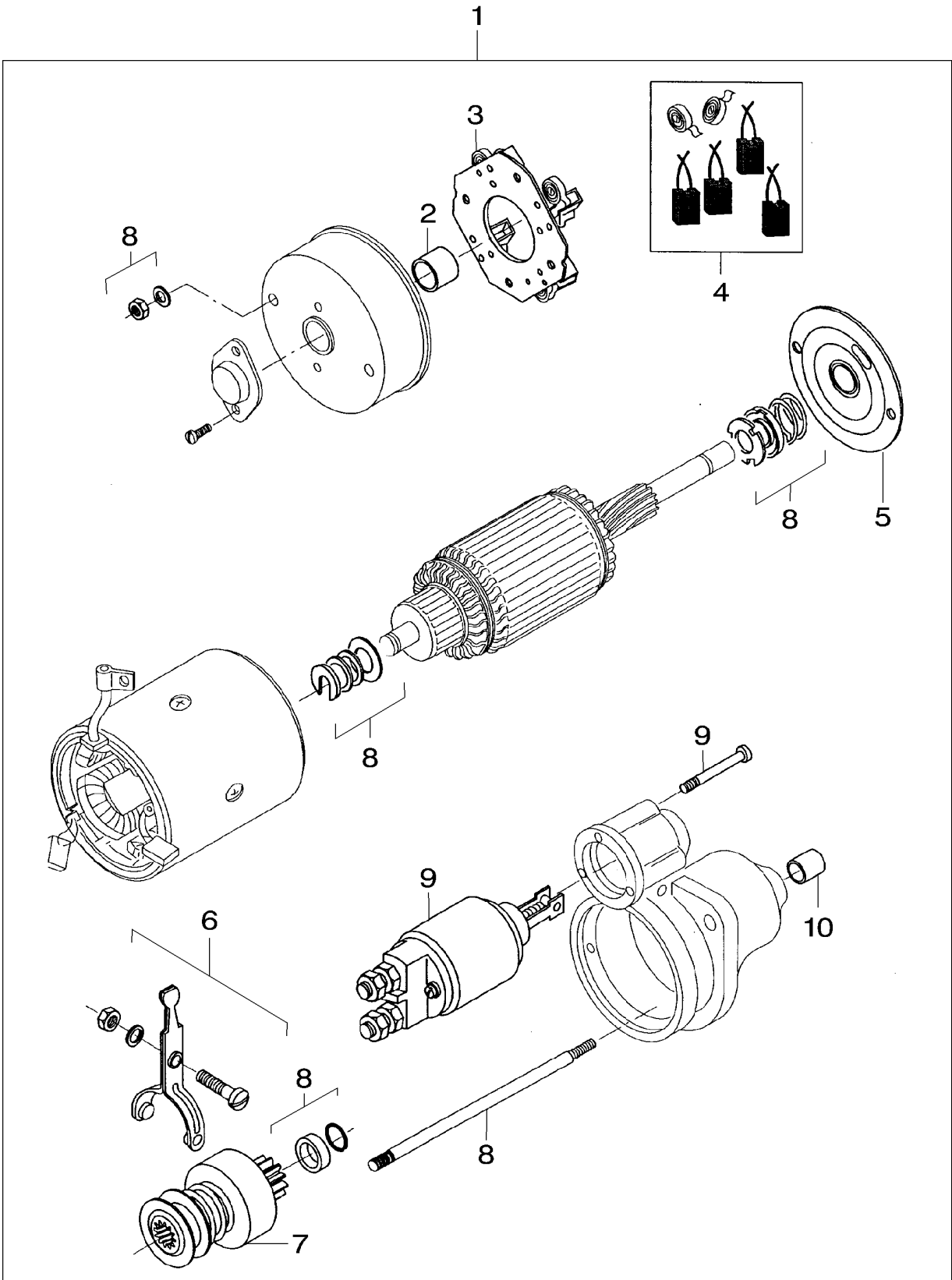
	[A]		ALTERNATOR	ALTERNATEUR	WECHSELSTROMDYN.	ALTERNADOR	
1	V836864048	12V/150A	1	ALTERNATOR	ALTERNATEUR	WECHSELSTROMDYN. ALTERNADOR	
2	V836864142		1	PULLEY	POULIE	RIEMENSCHLEIBE	POLEA
3	V529801910		1	SCREW	VIS	SCHRAUBE	TORNILLO
4	V836855928		1	BRACKET	SUPPORT FIXATION	HALTEAM	SOPORTE
5	V510601002		3	NUT	ECROU	MUTTER	TUERCA
6	V510600802		1	NUT	ECROU	MUTTER	TUERCA
7	V529801510		1	SCREW	VIS	SCHRAUBE	TORNILLO
8	V836120989		1	WASHER	RONDELLE	SCHEIBE	ARANDELA
9	V529801490		2	SCREW	VIS	SCHRAUBE	TORNILLO
10	V836855956		1	BRACKET	SUPPORT FIXATION	HALTEAM	SOPORTE
11	V836855957	8350	1	SCREW	VIS	SCHRAUBE	TORNILLO
11	V836866341	8300	1	SCREW	VIS	SCHRAUBE	TORNILLO
12	V515601602	1	1	NUT	ECROU	MUTTER	TUERCA
13	V500451602	1	1	WASHER	RONDELLE	SCHEIBE	ARANDELA
14	V836862378	1	1	BEARING ASSY	ROULEMENT	RADIALLAGER	RODAMIENTO RAD
15	V836862380	1	1	BEARING ASSY	ROULEMENT	RADIALLAGER	RODAMIENTO RAD
16	V836862379	1	1	CHOCK	CALE	UNTERLEG-KEIL	CALZA
17	V836862381	1	1	RECTIFIER	REDRESSEUR	GLEICHRICHTER	RECTIFICADOR
18	V836862382	1	1	REGULATOR	REGULATEUR	REGLER	REGULADOR
19	V836862383	1	1	KIT, BRUSH	JEU BALAI	BUERSTENSATZ	ESCOBILLAS JUEGO

[A] NOT ILLUSTRATED
 NON ILLUSTRE
 NICHT ILLUSTRIERT
 NO ILUSTRADO

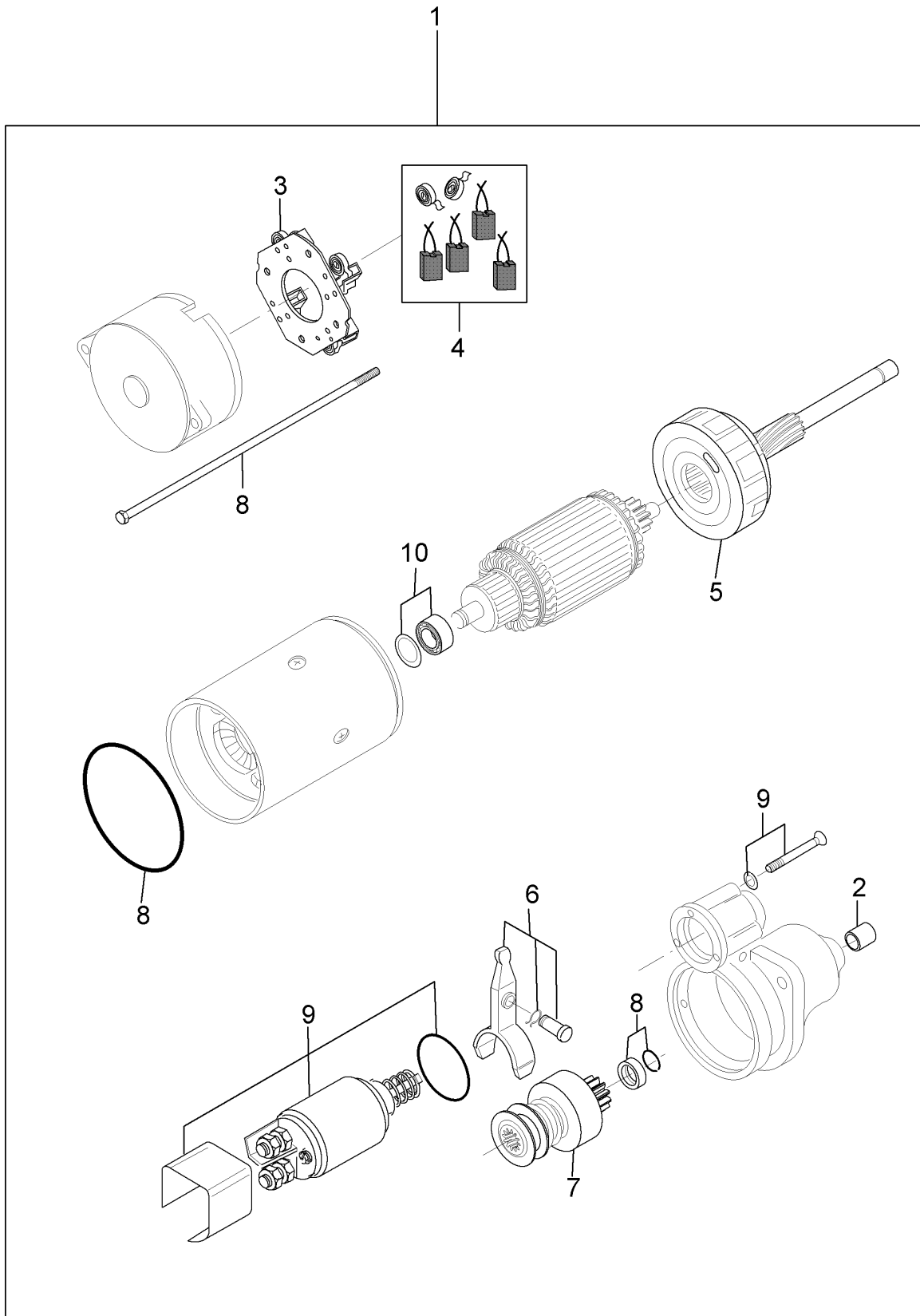


D-HB24-011-A

1	V529801910	M10X80	1	SCREW	VIS	SCHRAUBE	TORNILLO
2	V836855928		1	BRACKET	SUPPORT FIXATION	HALTEARM	SOPORTE
3	V510601002	M10	3	NUT	ECROU	MUTTER	TUERCA
4	V510600802	M8	1	NUT	ECROU	MUTTER	TUERCA
5	V529801510	M8X80	1	SCREW	VIS	SCHRAUBE	TORNILLO
6	V836120989		1	WASHER	RONDELLE	SCHEIBE	ARANDELA
7	V529801490	M8X70	2	SCREW	VIS	SCHRAUBE	TORNILLO
8	V836855956		1	BRACKET	SUPPORT FIXATION	HALTEARM	SOPORTE
9	V836866341		1	SCREW	VIS	SCHRAUBE	TORNILLO
10	V836667315		1	ALTERNATOR	ALTERNATEUR	WECHSELSTROMDYN.	ALTERNADOR
11	V836662619	10	1	BEARING	COUSSINET	LAGER	COJINETE
12	V836662622	10	1	BEARING	COUSSINET	LAGER	COJINETE
13	V836662620	10	1	SCREW	VIS	SCHRAUBE	TORNILLO
14	V836662623	10	1	RECTIFIER	REDRESSEUR	GLEICHRICHTER	RECTIFICADOR
15	V836662625	10	1	REGULATOR	REGULATEUR	REGLER	REGULADOR
16	V836662624	10	1	COVER	COUVERCLE	ABDECKUNG.	CUBIERTA
17	V836662621	10	1	PULLEY	POULIE	RIEMENSCHLEIBE	POLEA

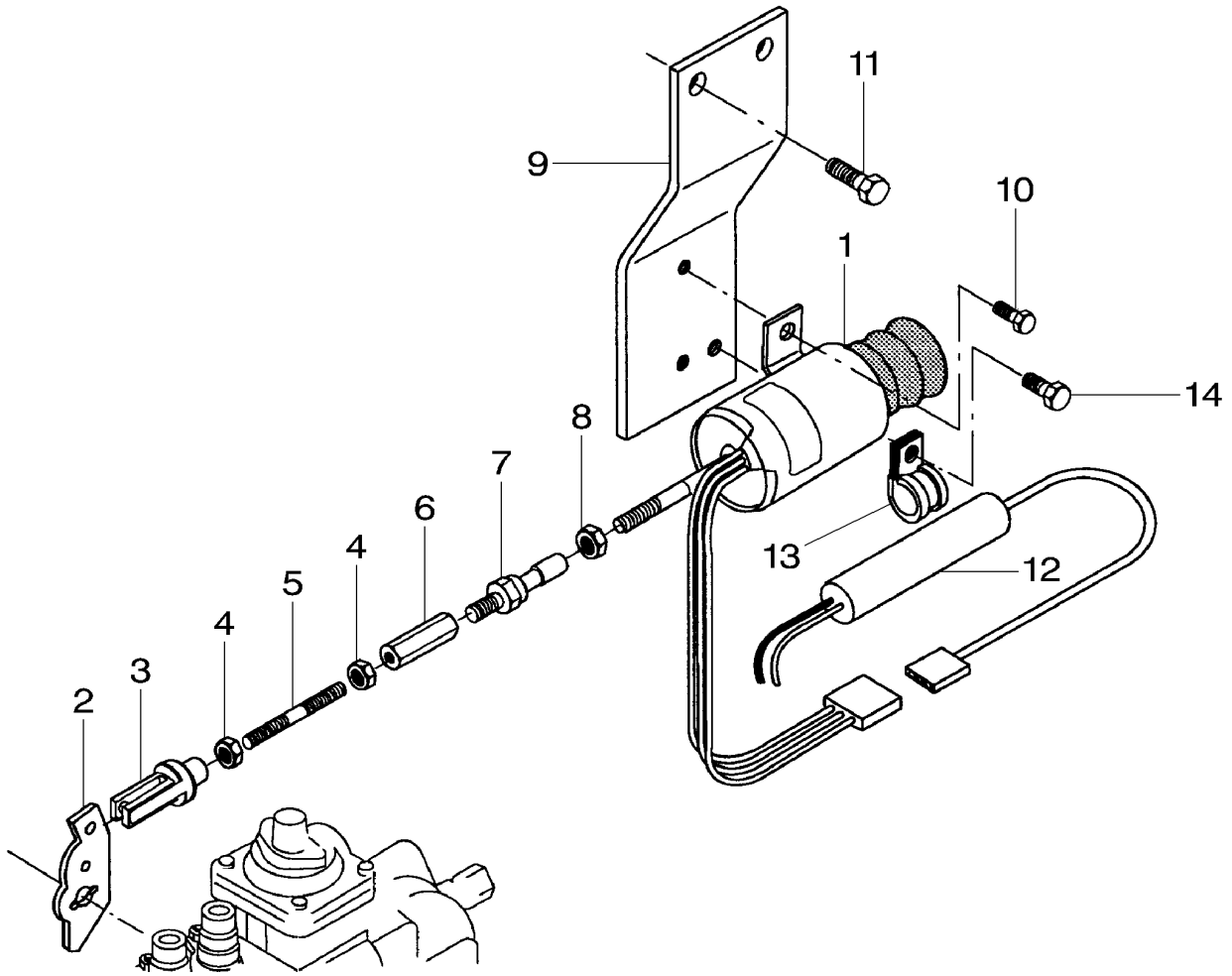


1	V836662073		1	STARTERMOTOR	DEMARREUR	ANLASSER	MOTOR ARRANQUE
2	V836640951	1	1	BUSH	BAGUE	RING	CASQUILLO
3	V836662091	1	1	CLAMP	COLLIER	HALTESCHELLE	ABRAZADERA
4	V836662092	1	1	KIT, BRUSH	JEU BALAI	BUERSTENSATZ	ESCOBILLAS JUEGO
5	V836640954	1	1	PLATE	PLAQUE	PLATTE	PLATO
6	V836640955	1	1	CONTROL	CONTROLE	STEUERUNG	MANDO
7	V836662093	1	1	DRIVE GEAR	ENGRENAGE DE CDE	ANTRIEBSRAD	PINON DE CONTROL
8	V836662094	1	1	KIT, GASKET	JEU JOINTS PLATS	FLACHDICHT. SATZ	KIT JUNTA PLANA
9	V836640958	1	1	SOLENOID	SOLENOIDE	MAGNETSPULE	SOLENOIDE
10	V836662095	1	1	BUSH	BAGUE	RING	CASQUILLO



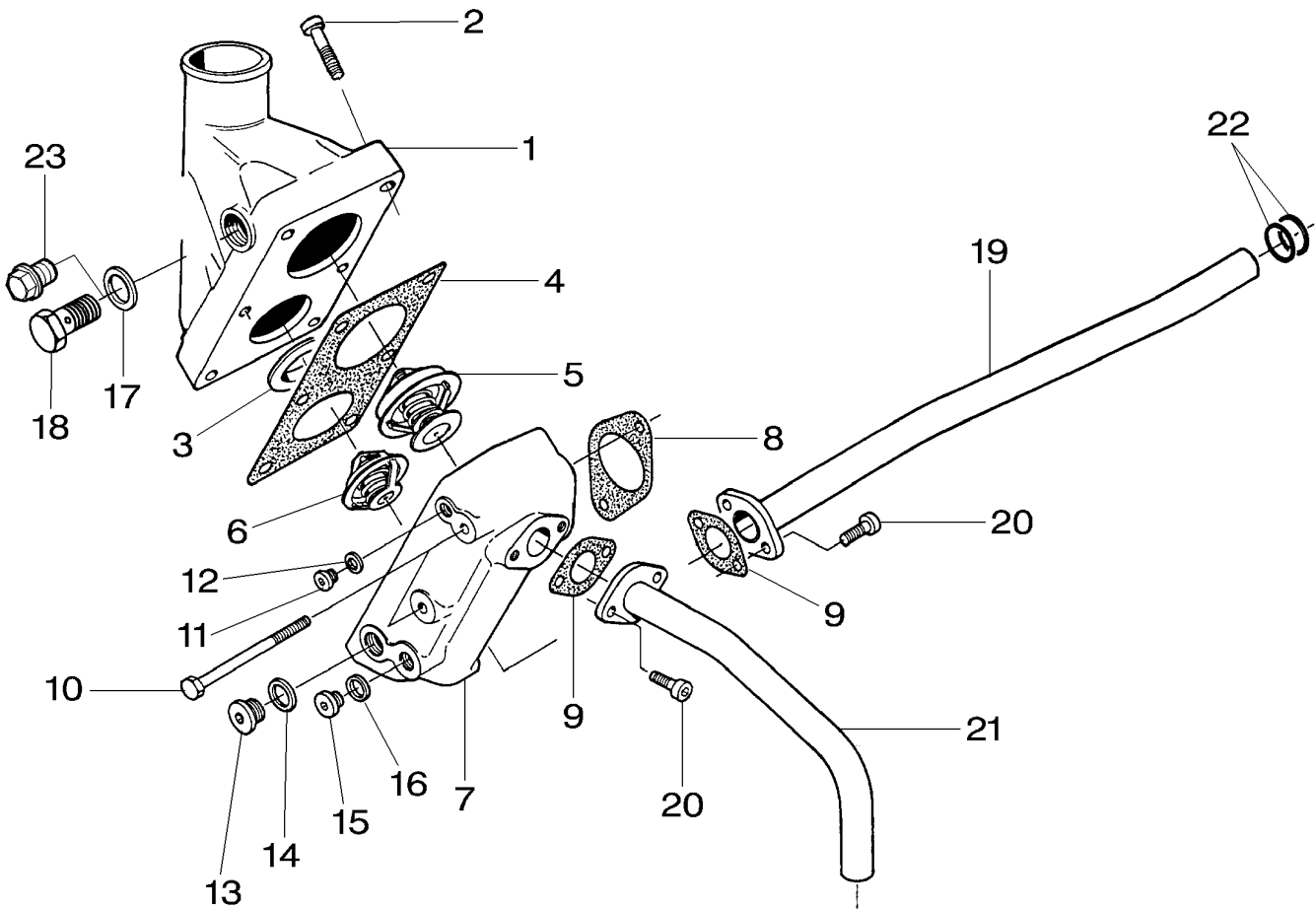
D-HB25-009-A

1	V836866817	12V/4,2KW	1	STARTERMOTOR	DEMARREUR	ANLASSER	MOTOR ARRANQUE
2	V836862454	1	1	BUSH	BAGUE	RING	CASQUILLO
3	V836862461	1	1	CLAMP	COLLIER	HALTESCHELLE	ABRAZADERA
4	V836862462	3	1	KIT, BRUSH	JEU BALAI	BUERSTENSATZ	ESCOBILLAS JUEGO
5	V836862458	1	1	SHAFT	ARBRE	WELLE	ARBOL
6	V836862457	1	1	SHIFT LEVER ASSY	ENSEMBLE LEVIER	SCHALTHEBEL KPL	CJT.PALANC CAMB.
7	V836862456	1	1	DRIVE GEAR	ENGRENAGE DE CDE	ANTRIEBSRAD	PINON DE CONTROL
8	V836862460	1	1	ADDITIONAL PARTS	PIECE DE MONTAGE	ERGAENZGS.TEILE	PIEZAS ADICION.
9	V836862455	1	1	SOLENOID	SOLENOIDE	MAGNETSPULE	SOLENOIDE
10	V836862459	1	1	BEARING	COUSSINET	LAGER	COJINETE



D-HB44-008-B

1	V836664211	12V	1	STOP SOLENOID	STOP ELECTRIQUE	MAGNETSPULE.	SOLENOID
2	V836664210		1	LEVER	LEVIER	HEBEL	PALANCA
3	V835339319		1	FORK	FOURCHETTE	GABEL	HORQUILLA
4	V504600502		2	NUT	ECROU	MUTTER	TUERCA
5	V836864285		1	STEM	TIGE	MESSERSTIEL	VASTAGO
6	V836864286		1	NUT	ECROU	MUTTER	TUERCA
7	V836664287		1	STEM	TIGE	MESSERSTIEL	VASTAGO
8	V504600602		1	NUT	ECROU	MUTTER	TUERCA
9	V836859706		1	SUPPORT	SUPPORT	TRAGER	SOPORTE
9	V836866774	8300	1	SUPPORT	SUPPORT	TRAGER	SOPORTE
9	V836859706	8350	1	SUPPORT	SUPPORT	TRAGER	SOPORTE
9	V836866774		1	SUPPORT	SUPPORT	TRAGER	SOPORTE
10	V528801062		2	BOLT	BOULON	BOLZEN	BULON
11	V528801760		2	SCREW	VIS	SCHRAUBE	TORNILLO
12	V836659691		1	RELAY	RELAIS	RELAIS	RELE
13	V602074620		1	CLAMP	COLLIER	HALTESCHELLE	ABRAZADERA
14	V528801360		1	SCREW	VIS	SCHRAUBE	TORNILLO

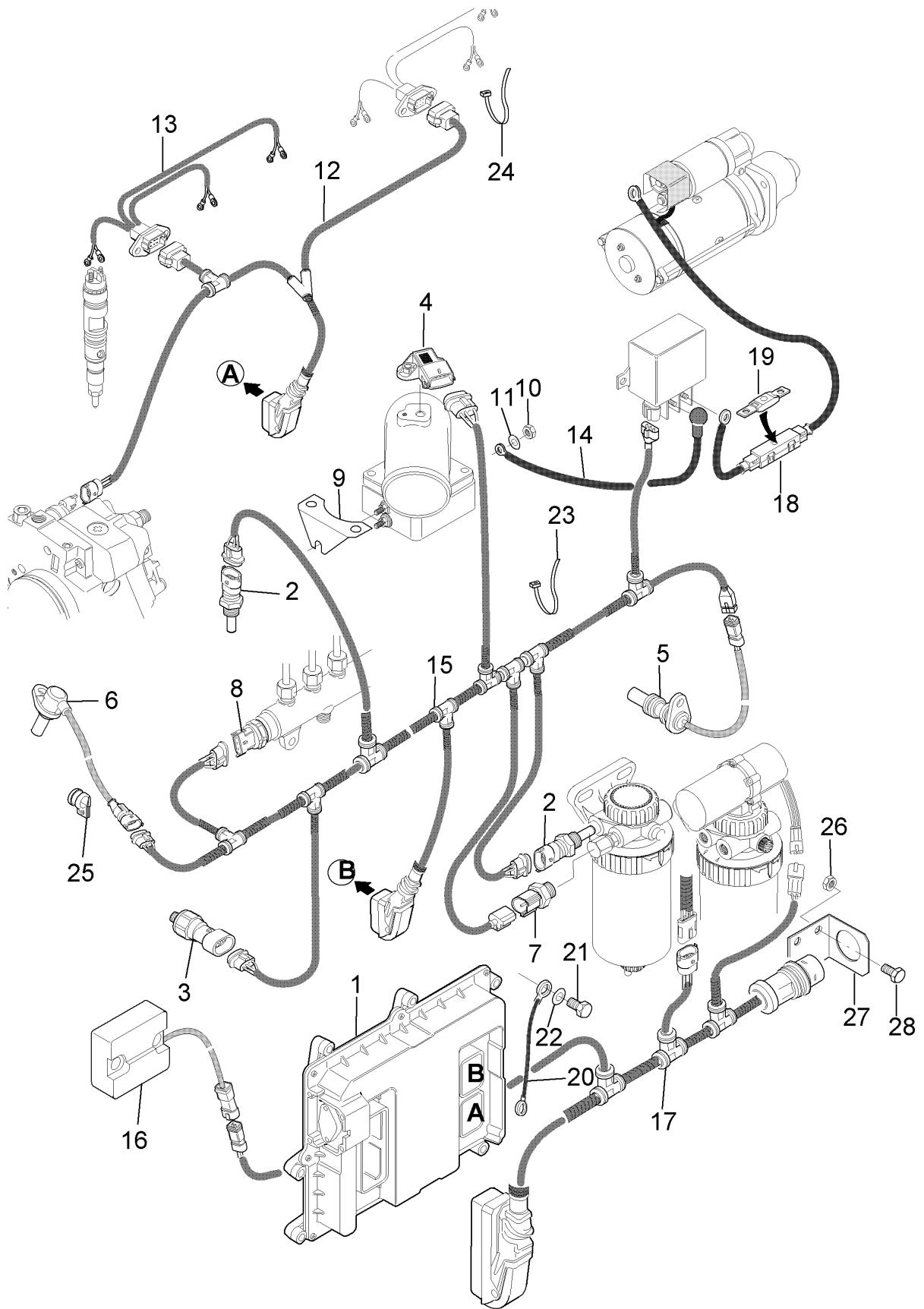


1	V836855602		1	HOUSING	CARTER	GEHAEUSE	ALOJAMIENTO
2	V581804650	M8X40	6	SCREW	VIS	SCHRAUBE	TORNILLO
3	V836336425		1	WASHER	RONDELLE	SCHEIBE	ARANDELA
4	V836855603	[C]	1	GASKET	JOINT	FLACHDICHTUNG	JUNTA PLANA
5	V836331590	[A]	1	THERMOSTAT	THERMOSTAT	THERMOSTAT	TERMOSTATO
6	V836015156	[B]	1	THERMOSTAT	THERMOSTAT	THERMOSTAT	TERMOSTATO
7	V836855601		1	HOUSING	CARTER	GEHAEUSE	ALOJAMIENTO
8	V836646393	[C]	1	GASKET	JOINT	FLACHDICHTUNG	JUNTA PLANA
9	V836322190	[C]	2	GASKET	JOINT	FLACHDICHTUNG	JUNTA PLANA
10	V529801550	M8X100	2	SCREW	VIS	SCHRAUBE	TORNILLO
11	V640325110		1	PLUG	BOUCHON	STOPFEN	TAPON
12	V615871014	[C]	1	O RING	JOINT TORIQUE	O-RING	JUNTA TOROIDAL
13	V640325018		1	PLUG	BOUCHON	STOPFEN	TAPON
14	V615881822	[C]	1	SEAL	JOINT ETANCHEITE	DICHTRING	JUNTA REDONDA
15	V640325014		1	PLUG	BOUCHON	STOPFEN	TAPON
16	V615881418	[C]	1	SEAL	JOINT ETANCHEITE	DICHTRING	JUNTA REDONDA
17	V615882227	[C]	1	GASKET	JOINT	FLACHDICHTUNG	JUNTA PLANA
18	V640435018	[A]	1	BANJO BOLT	VIS BANJO	HOHLSCHRAUBE	TORNILLO HUECO
19	V836855639		1	PIPE	TUYAU	TUBE	TUBO
20	VHC9326		4	SCREW	VIS	SCHRAUBE	TORNILLO
21	V836855672		1	PIPE	TUYAU	TUBE	TUBO
22	V614602430	[C]	2	O RING	JOINT TORIQUE	O-RING	JUNTA TOROIDAL
23	V640045022		1	PLUG	BOUCHON	STOPFEN	TAPON

[A] OPENS AT 83 DEGREES
OUVERTURE A 83 DEGRES
OFFNUNG 83 GRAD
APERTURA 83 GRADO

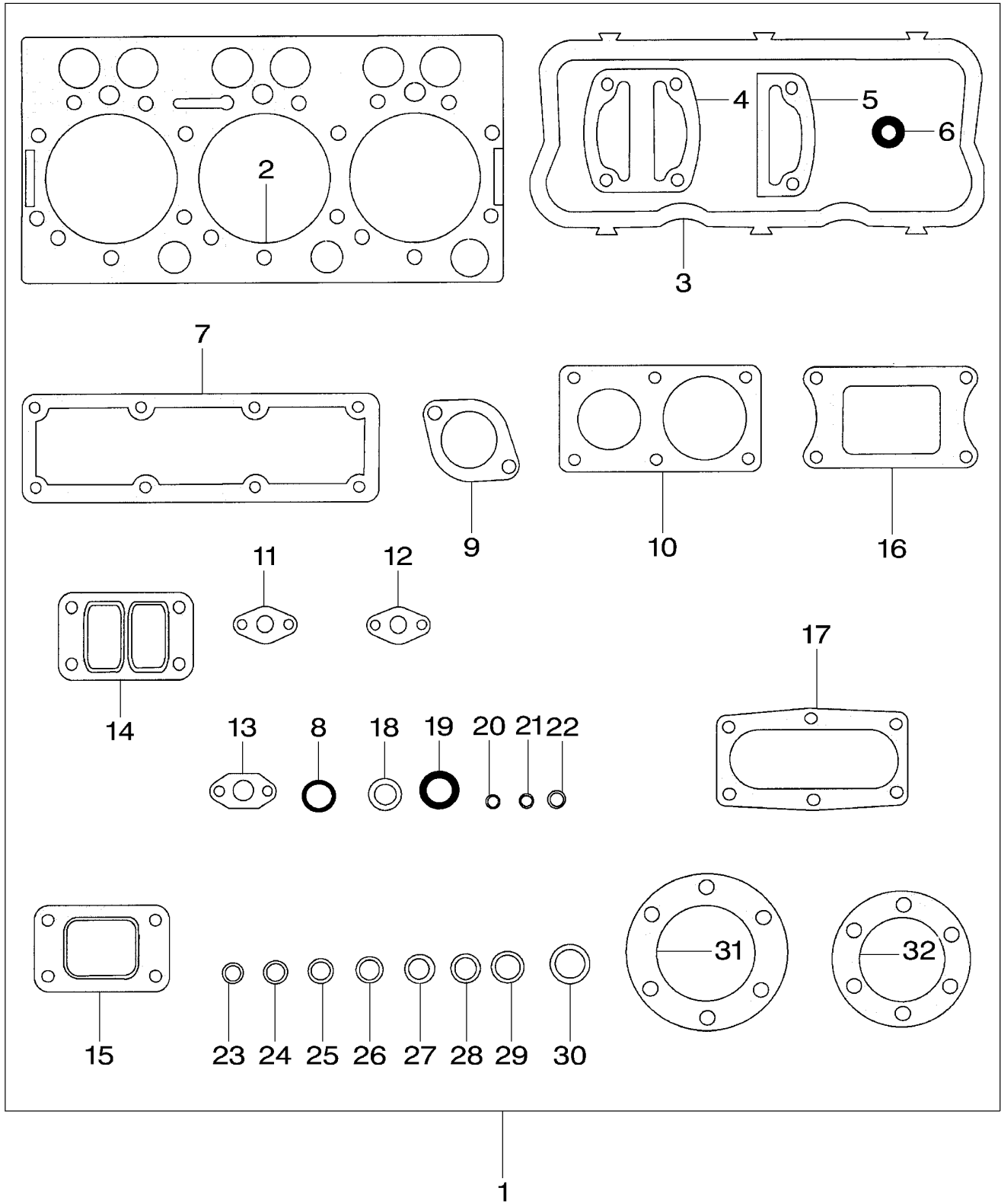
[B] OPENS AT 79 DEGREES
OUVERTURE A 79 DEGRES
OFFNUNG 79 GRAD
APERTURA 79 GRADO

[C] INCLUDED IN V836840993
COMPRIS DANS V836840993
ENTHALTEN IN V836840993
INCLUYE EN V836840993

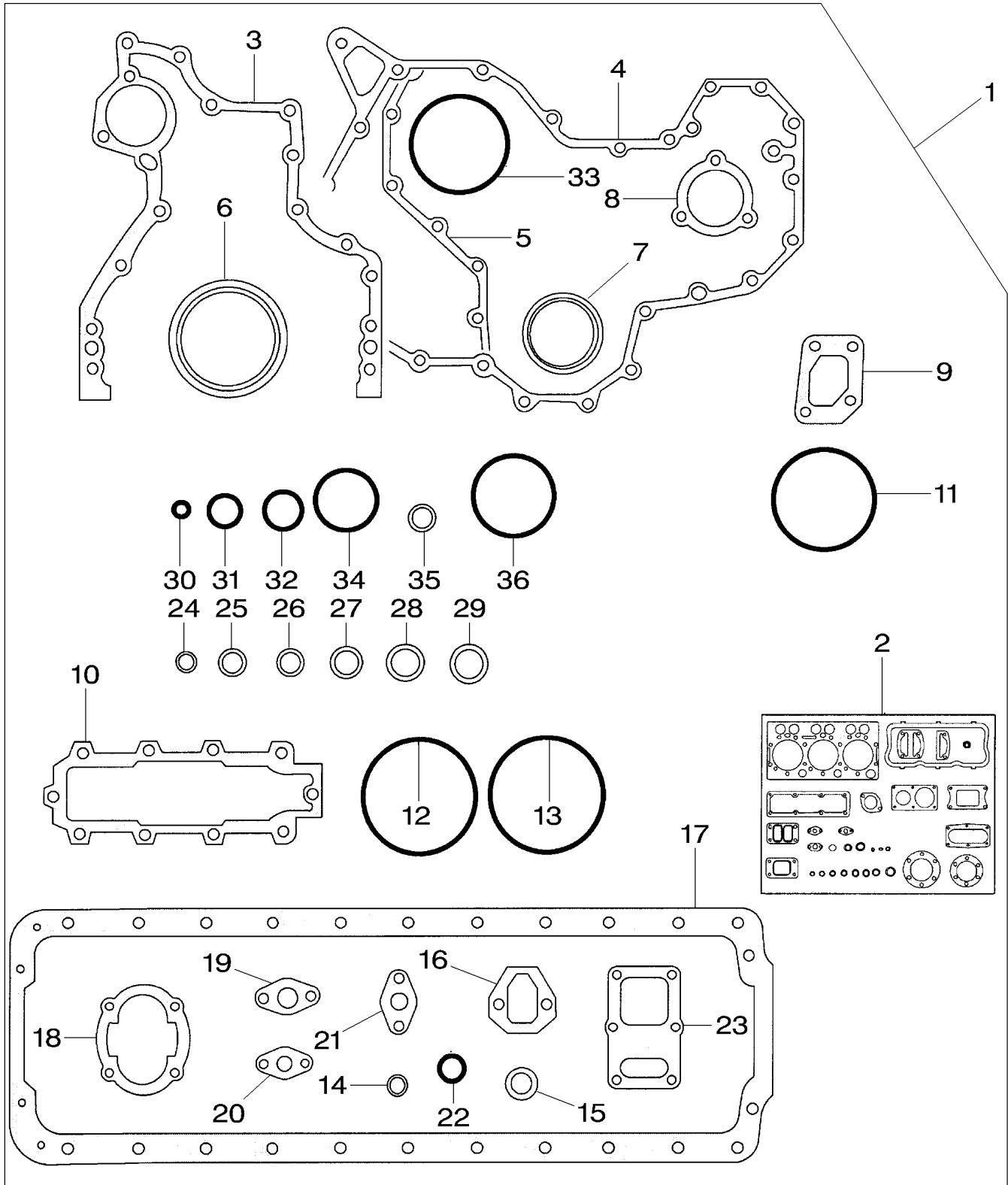


D-HB48-002-A

			UNITE DE CONTROL	KONTROLEINHEIT	UNIDAD CONTROL
1	V837069216	➡ 84.510 FENDT8300 84.509 FENDT8350	1 CONTROL UNIT		
2	V836667732		2 SENSOR	DETECTEUR	SENSOR
3	V837070201		1 SENSOR	DETECTEUR	SENSOR
4	V836666980		1 SENSOR	DETECTEUR	SENSOR
5	V837069150		1 SPEED SENSOR	CAPTEUR VITESSE	GESCHW.SENSOR
6	V837070189		1 SPEED SENSOR	CAPTEUR VITESSE	GESCHW.SENSOR
7	V837070209		1 PRESSURE SWITCH	MANO CONTACT	DRUCKSCHALTER
8	V837069410		1 SENSOR	DETECTEUR	SENSOR
9	V837070130		1 EARTH STRAP	FIL DE MASSE	MASSELEITUNG
10	V504600602	M6	2 NUT	ECROU	MUTTER
11	V500050642		2 WASHER	RONDELLE	SCHEIBE
12	V837070049	INJECTORS	1 HARNESS	FAISCEAU	KABELBAUM
13	V837070048	INJECTORS	2 HARNESS	FAISCEAU	KABELBAUM
14	V837070055		1 WIRE	FIL	DRAHT
15	V837070050	SENSORS	1 HARNESS	FAISCEAU	KABELBAUM
16	V837070198		1 MODULE	MODULE	MODUL
17	V837070051	CONNECTOR	1 HARNESS	FAISCEAU	KABELBAUM
18	V837070054		1 WIRE	FIL	DRAHT
19	V836864541	1 250A	1 FUSE	FUSIBLE	SICHERUNG
20	V837070292		1 EARTH STRAP	FIL DE MASSE	MASSELEITUNG
21	V528801360	M8X16	1 SCREW	VIS	SCHRAUBE
22	V500150842		1 WASHER	RONDELLE	SCHEIBE
23	V651754720		5 CABLE TIE	ATTACHE CABLE	KABELBINDER
24	V651755320		5 CABLE TIE	ATTACHE CABLE	KABELBINDER
25	V602060610		2 BAND	BANDE	BAND
26	V504800800	M8	1 NUT	ECROU	MUTTER
27	V836866831		1 SUPPORT	SUPPORT	TRAGER
28	V528801360	M8X16	1 SCREW	VIS	SCHRAUBE



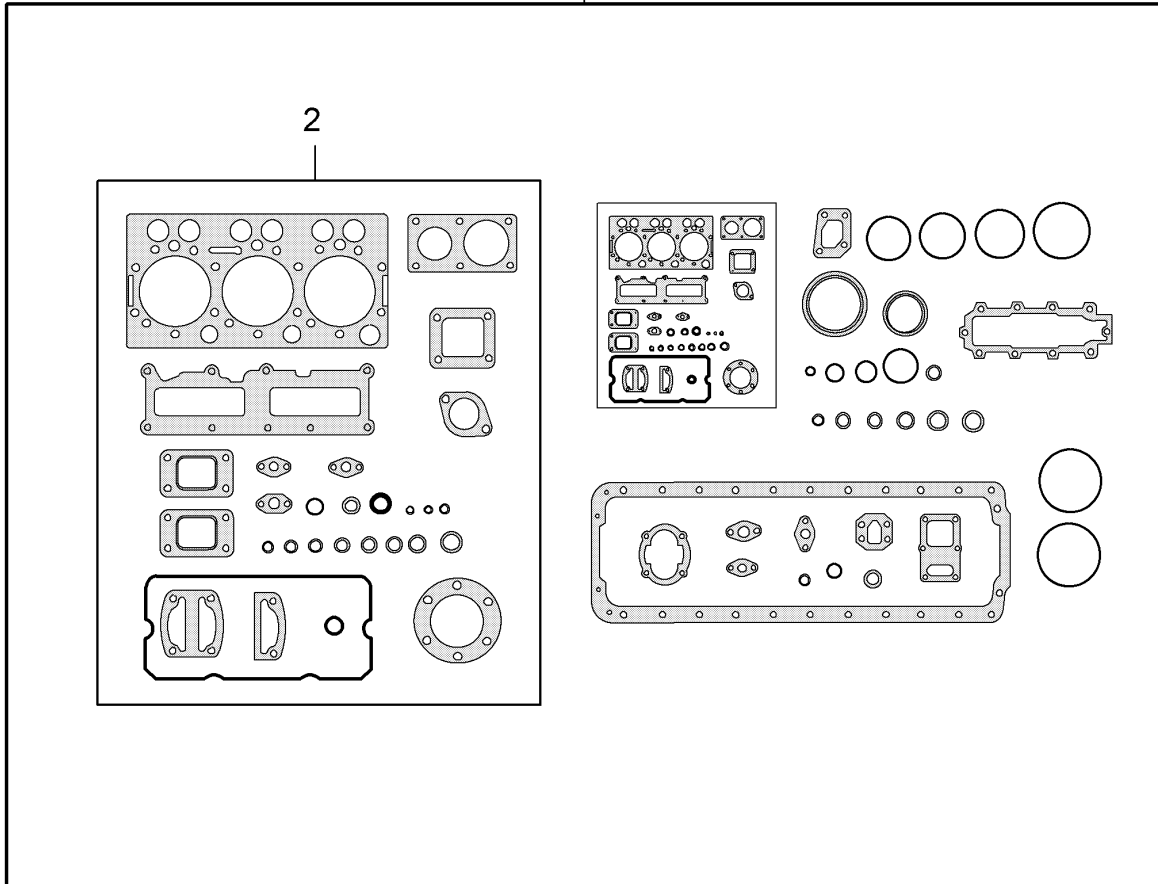
1	V836840993		1	KIT, JOINT	JEU JOINTS	DICHTUNGSSATZ	JUEGO JUNTAS
2	V836666302	⇒ V836664155	2	HEAD GASKET	JOINT CULASSE	ZYL.KOPFDICHTUNG	JUNTA DE CULATA
3	V836646360		2	GASKET	JOINT	FLACHDICHTUNG	JUNTA PLANA
4	V836855418		1	GASKET	JOINT	FLACHDICHTUNG	JUNTA PLANA
5	V836855417		2	GASKET	JOINT	FLACHDICHTUNG	JUNTA PLANA
6	V836012841		4	GASKET	JOINT	FLACHDICHTUNG	JUNTA PLANA
7	V836847496		2	GASKET	JOINT	FLACHDICHTUNG	JUNTA PLANA
8	V614602430		4	O RING	JOINT TORIQUE	O-RING	JUNTA TOROIDAL
9	V836646393		1	GASKET	JOINT	FLACHDICHTUNG	JUNTA PLANA
10	V836855603		1	GASKET	JOINT	FLACHDICHTUNG	JUNTA PLANA
11	V836322190		2	GASKET	JOINT	FLACHDICHTUNG	JUNTA PLANA
12	V836866808	⇒ V836308344	1	GASKET	JOINT	FLACHDICHTUNG	JUNTA PLANA
13	V836866809	⇒ V836324580	2	GASKET	JOINT	FLACHDICHTUNG	JUNTA PLANA
14	V836840992		1	GASKET	JOINT	FLACHDICHTUNG	JUNTA PLANA
15	V836316726		2	GASKET	JOINT	FLACHDICHTUNG	JUNTA PLANA
16	V836847532		1	GASKET	JOINT	FLACHDICHTUNG	JUNTA PLANA
17	V836855744		1	GASKET	JOINT	FLACHDICHTUNG	JUNTA PLANA
18	V899901495		6	WASHER	RONDELLE	SCHEIBE	ARANDELA
19	V835336276		6	SEAL	JOINT ETANCHEITE	DICHTRING	JUNTA REDONDA
20	V615870710		7	SEAL	JOINT ETANCHEITE	DICHTRING	JUNTA REDONDA
21	V836355435		6	SEAL	JOINT ETANCHEITE	DICHTRING	JUNTA REDONDA
22	V615870812		3	GASKET	JOINT	FLACHDICHTUNG	JUNTA PLANA
23	V615871014		1	O RING	JOINT TORIQUE	O-RING	JUNTA TOROIDAL
24	V615881216		4	GASKET	JOINT	FLACHDICHTUNG	JUNTA PLANA
25	V615581317		2	SEAL	JOINT ETANCHEITE	DICHTRING	JUNTA REDONDA
26	V615881418		7	SEAL	JOINT ETANCHEITE	DICHTRING	JUNTA REDONDA
27	V615881420		1	GASKET	JOINT	FLACHDICHTUNG	JUNTA PLANA
28	V615881620		2	SEAL	JOINT ETANCHEITE	DICHTRING	JUNTA REDONDA
29	V615881822		3	SEAL	JOINT ETANCHEITE	DICHTRING	JUNTA REDONDA
30	V615882227		1	GASKET	JOINT	FLACHDICHTUNG	JUNTA PLANA
31	V886325175		1	GASKET	JOINT	FLACHDICHTUNG	JUNTA PLANA
32	V836338985		1	GASKET	JOINT	FLACHDICHTUNG	JUNTA PLANA



D-HB28-008-B

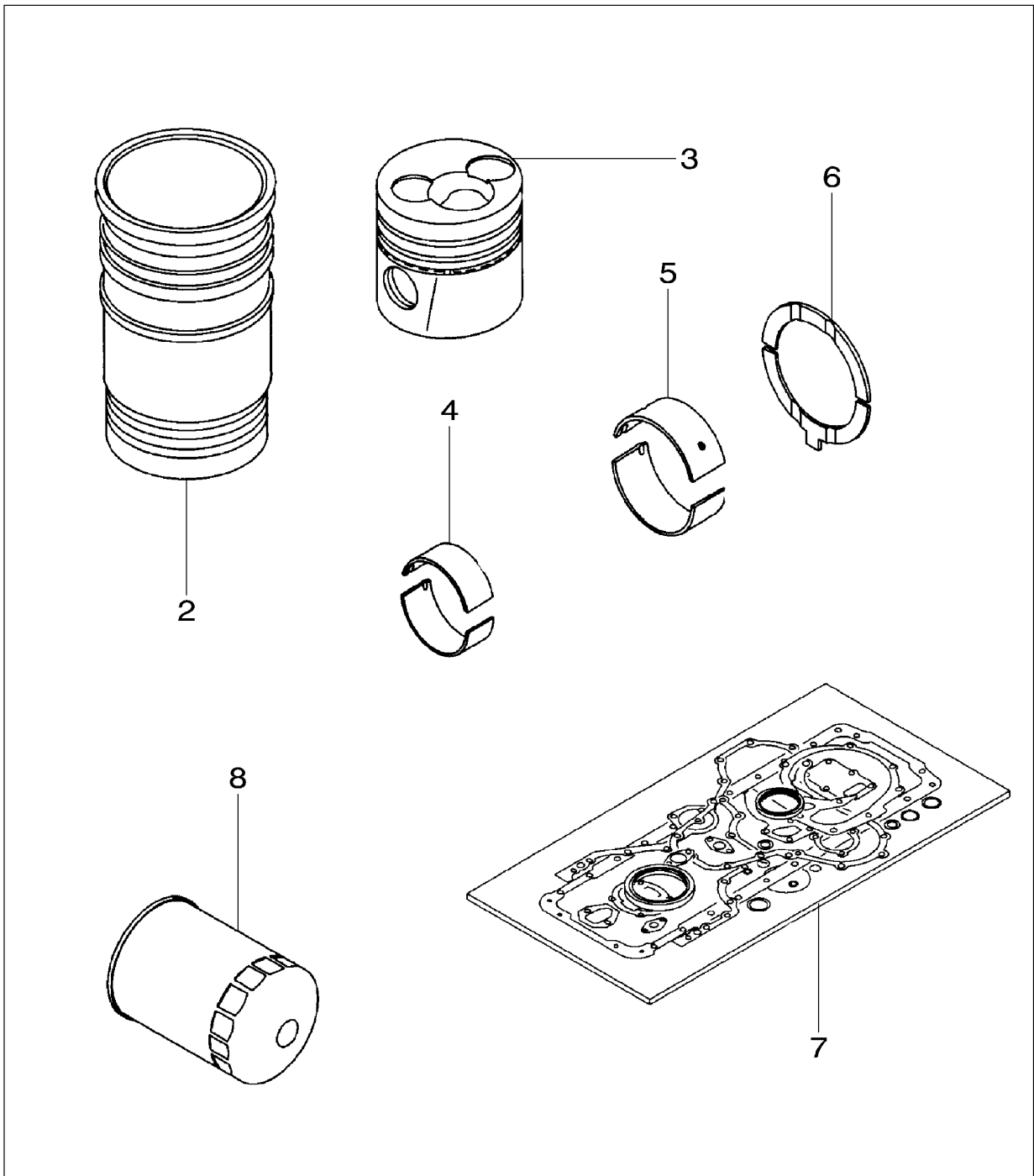
1	V836840994		1	KIT, JOINT	JEU JOINTS	DICHTUNGSSATZ	JUEGO JUNTAS
2	V836840993	1	1	KIT, JOINT	JEU JOINTS	DICHTUNGSSATZ	JUEGO JUNTAS
3	V836647419		1	GASKET	JOINT	FLACHDICHTUNG	JUNTA PLANA
4	V836859201		1	GASKET	JOINT	FLACHDICHTUNG	JUNTA PLANA
5	V836859152		1	GASKET	JOINT	FLACHDICHTUNG	JUNTA PLANA
6	V836840884		1	OIL SEAL	BAGUE ETANCHEITE	OELDICHTRING	BUJE RETENACEITE
7	V836840883		1	OIL SEAL	BAGUE ETANCHEITE	OELDICHTRING	BUJE RETENACEITE
8	V836129946		1	GASKET	JOINT	FLACHDICHTUNG	JUNTA PLANA
9	V836855554		1	GASKET	JOINT	FLACHDICHTUNG	JUNTA PLANA
10	V836855520		1	GASKET	JOINT	FLACHDICHTUNG	JUNTA PLANA
11	V614609930		2	O RING	JOINT TORIQUE	O-RING	JUNTA TOROIDAL
12	V836855446		12	O RING	JOINT TORIQUE	O-RING	JUNTA TOROIDAL
13	V836855447		6	O RING	JOINT TORIQUE	O-RING	JUNTA TOROIDAL
14	V640016016		4	PLUG	BOUCHON	STOPFEN	TAPON
15	V615882227		2	GASKET	JOINT	FLACHDICHTUNG	JUNTA PLANA
16	V836647401		1	GASKET	JOINT	FLACHDICHTUNG	JUNTA PLANA
17	V836322538		1	GASKET	JOINT	FLACHDICHTUNG	JUNTA PLANA
18	V836338188		1	GASKET	JOINT	FLACHDICHTUNG	JUNTA PLANA
19	V836338201		1	GASKET	JOINT	FLACHDICHTUNG	JUNTA PLANA
20	V836008449		2	GASKET	JOINT	FLACHDICHTUNG	JUNTA PLANA
21	V836322190		1	GASKET	JOINT	FLACHDICHTUNG	JUNTA PLANA
22	V615882227		1	GASKET	JOINT	FLACHDICHTUNG	JUNTA PLANA
23	V836322852		1	GASKET	JOINT	FLACHDICHTUNG	JUNTA PLANA
24	V615871014		6	O RING	JOINT TORIQUE	O-RING	JUNTA TOROIDAL
25	V615881216		3	GASKET	JOINT	FLACHDICHTUNG	JUNTA PLANA
26	V615881420		8	GASKET	JOINT	FLACHDICHTUNG	JUNTA PLANA
27	V615881620		2	SEAL	JOINT ETANCHEITE	DICHTRING	JUNTA REDONDA
28	V615881822		1	SEAL	JOINT ETANCHEITE	DICHTRING	JUNTA REDONDA
29	V615881824		1	SEAL	JOINT ETANCHEITE	DICHTRING	JUNTA REDONDA
30	V614600724		4	O RING	JOINT TORIQUE	O-RING	JUNTA TOROIDAL
31	V614602030		6	O RING	JOINT TORIQUE	O-RING	JUNTA TOROIDAL
32	V614602430		2	O RING	JOINT TORIQUE	O-RING	JUNTA TOROIDAL
33	V614609430		1	O RING	JOINT TORIQUE	O-RING	JUNTA TOROIDAL
34	V614604958		2	O RING	JOINT TORIQUE	O-RING	JUNTA TOROIDAL
35	V615870814		4	WASHER	RONDELLE	SCHEIBE	ARANDELA
36	V614606230		1	O RING	JOINT TORIQUE	O-RING	JUNTA TOROIDAL

1



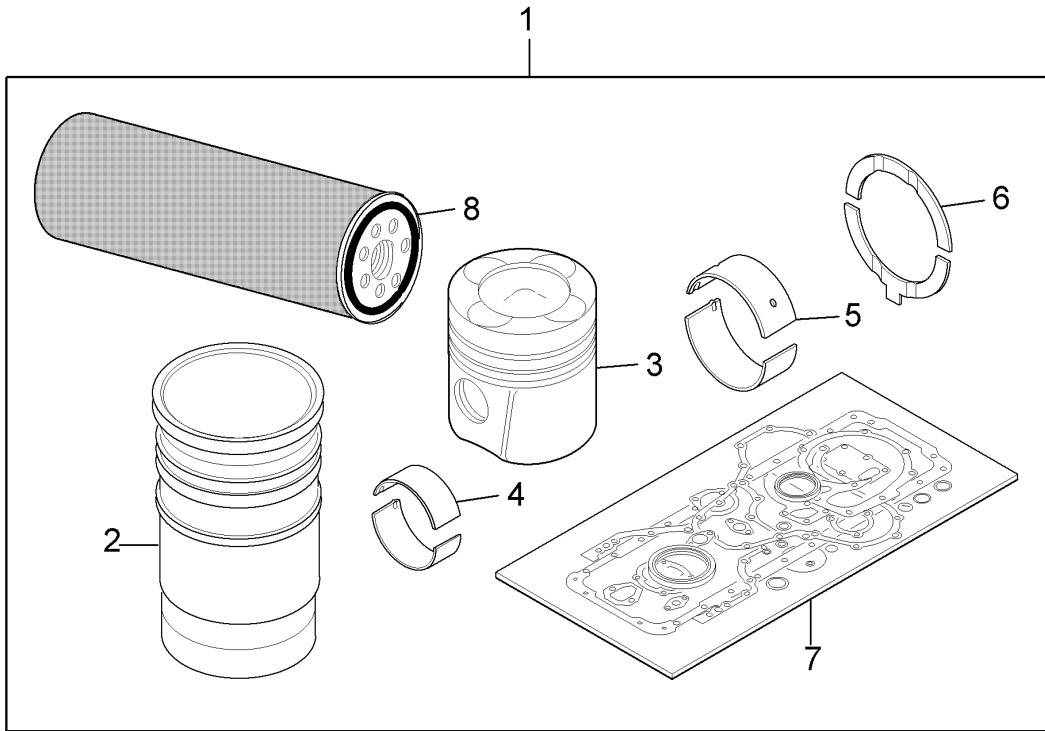
D-HB28-009-A

1	V837062628		1	KIT, GASKET	JEU JOINTS PLATS	FLACHDICHT. SATZ	KIT JUNTA PLANA
2	V837062627	1	1	KIT, GASKET	JEU JOINTS PLATS	FLACHDICHT. SATZ	KIT JUNTA PLANA



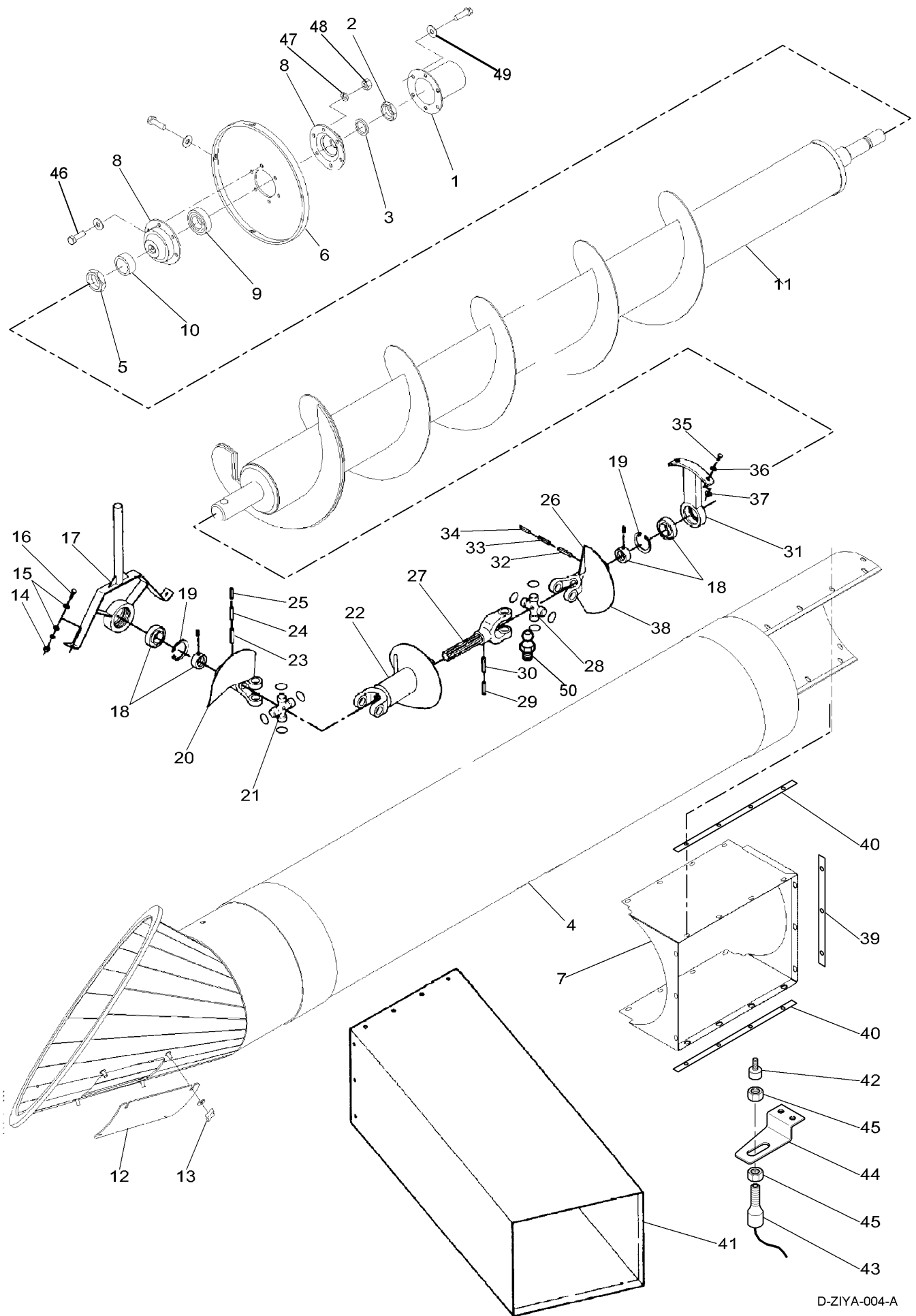
1

1	V836840995		1	KIT, REPAIR	JEU REPARATION	REPARATURSATZ	JUEGO REPARACION
2	V836855445	8300	6	LINER	CHEMISE	BUECHSE	CAMISA
2	V836867048	8350	6	LINER	CHEMISE	BUECHSE	CAMISA
3	V836840886	8300	6	PISTON	PISTON	KOLBEN	PISTON
3	V836866182	8350	6	PISTON	PISTON	KOLBEN	PISTON
4	V836336302		6	BEARING	COUSSINET	LAGER	COJINETE
5	V836840944		7	MAIN BEARING	COUSSINET PRINC	HAUPTLAGER	COJINETE PRINCIP
6	V836840945		2	THRUST WASHER	RONDELLE BUTEE	ANLAUFSCHEIBE	ARANDELA ACELER
7	V836840994		1	KIT, JOINT	JEU JOINTS	DICHTUNGSSATZ	JUEGO JUNTAS
8	V836336459		1	OIL FILTER	FILTRE HUILE	OELFILTER	FILTRO DE ACEITE



D-HB31-008-A

1	V837062626		1	KIT, REPAIR	JEU REPARATION	REPARATURSATZ	JUEGO REPARACION
2	V836867048	1	6	LINER	CHEMISE	BUECHSE	CAMISA
3	V837070185	1	6	PISTON	PISTON	KOLBEN	PISTON
4	V836336302	1	6	BEARING	COUSSINET	LAGER	COJINETE
5	V836840944	1	7	MAIN BEARING	COUSSINET PRINC	HAUPTLAGER	COJINETE PRINCIP
6	V836840945	1	2	THRUST WASHER	RONDELLE BUTEE	ANLAUFSCHEIBE	ARANDELA ACELER
7	V837062628	1	1	KIT, GASKET	JEU JOINTS PLATS	FLACHDICHT. SATZ	KIT JUNTA PLANA
8	V836362567	1	1	OIL FILTER	FILTRE HUILE	OELFILTER	FILTRO DE ACEITE

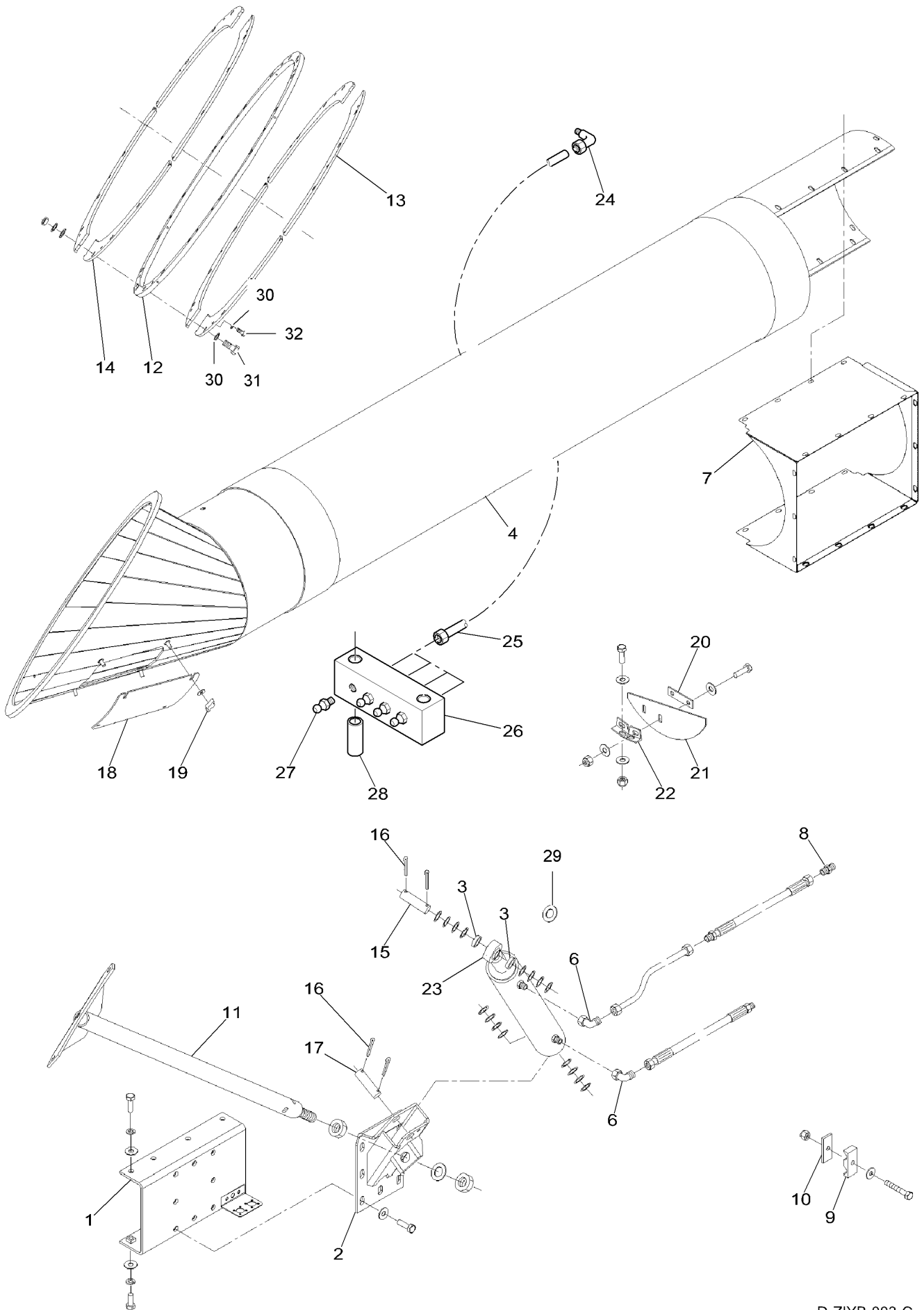


D-ZIYA-004-A

1	D58851122		1	CAP	CHAPEAU	KAPPE	TAPA
2	D41034100		1	NUT	ECROU	MUTTER	TUERCA
3	D28800328		2	SPACER	ENTRETOISE	ABSTANDSTUECK	DISCO ESPACIADOR
4	D28886771		1	PIPE	TUYAU	TUBE	TUBO
5	D41034400		1	NUT	ECROU	MUTTER	TUERCA
6	D58880046		1	PLATE	PLAQUE	PLATTE	PLATO
7	D58880034		1	FUNNEL	ENTONNOIR	TRICHTER	EMBUDO
8	D28200239		2	BEARING CARRIER	PALIER	LAGER GEHAEUSE	COJINETE APOYO
9	SKF62072RS		1	BEAR. 6207 2RS	RLT 6207 2RS	LAGER 6207 2RS	RODA. 6207 2RS
10	D28830693		1	SPACER	ENTRETOISE	ABSTANDSTUECK	DISCO ESPACIADOR
11	D28880395		1	AUGER	VIS SANS FIN	FOERDERSCHNECKE	SINFIN
12	D58880366		1	GATE	PORTE	TOR	PORTILLO
13	D41057300		1	WING NUT	ECROU A AILETTES	FLUEGELMUTTER	TUERCA MARIPOSA
14	339402X1	M10	2	NUT SPECIAL	ECROU SPECIAL	SPEZIALMUTTER	TUERCA ESPECIAL
15	D20400416		4	WASHER	RONDELLE	SCHIEBE	ARANDELA
16	3009493X1	M10 X 30	2	HEX. SOCK. SCREW	VIS TETE HEX	ZYLINDERSCHRAUBE	TORN.CAB.HUECA
17	D28880230		1	BRACKET	SUPPORT FIXATION	HALTEAM	SOPORTE
18	D41663400		2	BALL BEARING	ROULEMENT BILLES	KUGELLAGER	COJINETE DE BOLA
19	1440480X1		2	CIRCLIP	CIRCLIP	SEEGERING	GRAPA CIRCULAR
20	D28880083		1	AUGER	VIS SANS FIN	FOERDERSCHNECKE	SINFIN
20	D28850839	20	1	YOKE	CHAPE ARTICULAT	GELENKGABEL	YUGO
21	D45622700	20	1	SPIDER	CROISILLON	KREUZSTUECK	CRUCETA
22	D28880073	20	1	AUGER	VIS SANS FIN	FOERDERSCHNECKE	SINFIN
23	D42625600		1	PIN	GOUPILLE	STIFT	PASADOR
24	390949X1	∅ 8 X 70	1	PIN	GOUPILLE	STIFT	PASADOR
25	390950X1	∅ 5 X 70	2	PIN	GOUPILLE	STIFT	PASADOR
26	D28880053		1	YOKE	CHAPE ARTICULAT	GELENKGABEL	YUGO
26	D28880051	26	1	YOKE	CHAPE ARTICULAT	GELENKGABEL	YUGO
27	D28880052	26	1	FORK	FOURCHETTE	GABEL	HORQUILLA
28	D45622700	26	1	SPIDER	CROISILLON	KREUZSTUECK	CRUCETA
29	339414X1	∅ 6 X 60	1	PIN	GOUPILLE	STIFT	PASADOR
30	391220X1	∅ 10 X 45	1	PIN	GOUPILLE	STIFT	PASADOR
31	D28880045		1	BRACKET	SUPPORT FIXATION	HALTEAM	SOPORTE
32	D42625400		1	PIN	GOUPILLE	STIFT	PASADOR
33	339194X1	∅ 8 X 60	1	PIN	GOUPILLE	STIFT	PASADOR
34	339249X1	∅ 5 X 60	1	PIN	GOUPILLE	STIFT	PASADOR
35	339337X1	M8 X 30	2	HEX. SOCK. SCREW	VIS TETE HEX	ZYLINDERSCHRAUBE	TORN.CAB.HUECA
36	D20400506		2	WASHER	RONDELLE	SCHIEBE	ARANDELA
37	394367X1	M8	2	NUT	ECROU	MUTTER	TUERCA
38*	D28880382		1	SPIRAL	SPIRALE	SPIRALE	ESPIRAL
39	D18880030		1	RAIL	RAIL	SCHIENE	RIEL
40	D18880031		2	RAIL	RAIL	SCHIENE	RIEL
41	D28880032	[A]	1	CANVAS	TOILE	PLANE	LONA
41	D28880323	[B]	1	CANVAS	TOILE	PLANE	LONA
42	D45010092		1	MAGNET	AIMANT	MAGNET	IMAN
43	D28782585		1	SENSOR	DETECTEUR	SENSOR	DETECTOR
44	D28787378		1	SUPPORT	SUPPORT	TRAGER	SOPORTE
45	D41098000		1	NUT	ECROU	MUTTER	TUERCA
46	D40405100		X	HEX. SOCK. SCREW	VIS TETE HEX	ZYLINDERSCHRAUBE	TORN.CAB.HUECA
47	D41102100		X	WASHER	RONDELLE	SCHIEBE	ARANDELA
48	D41010700		X	NUT	ECROU	MUTTER	TUERCA
49	D20400413		X	WASHER	RONDELLE	SCHIEBE	ARANDELA
50	D43002600		2	GREASE FITTING	GRAISSEUR	DRUCKSCHMIERKOPF	ENGRASADOR

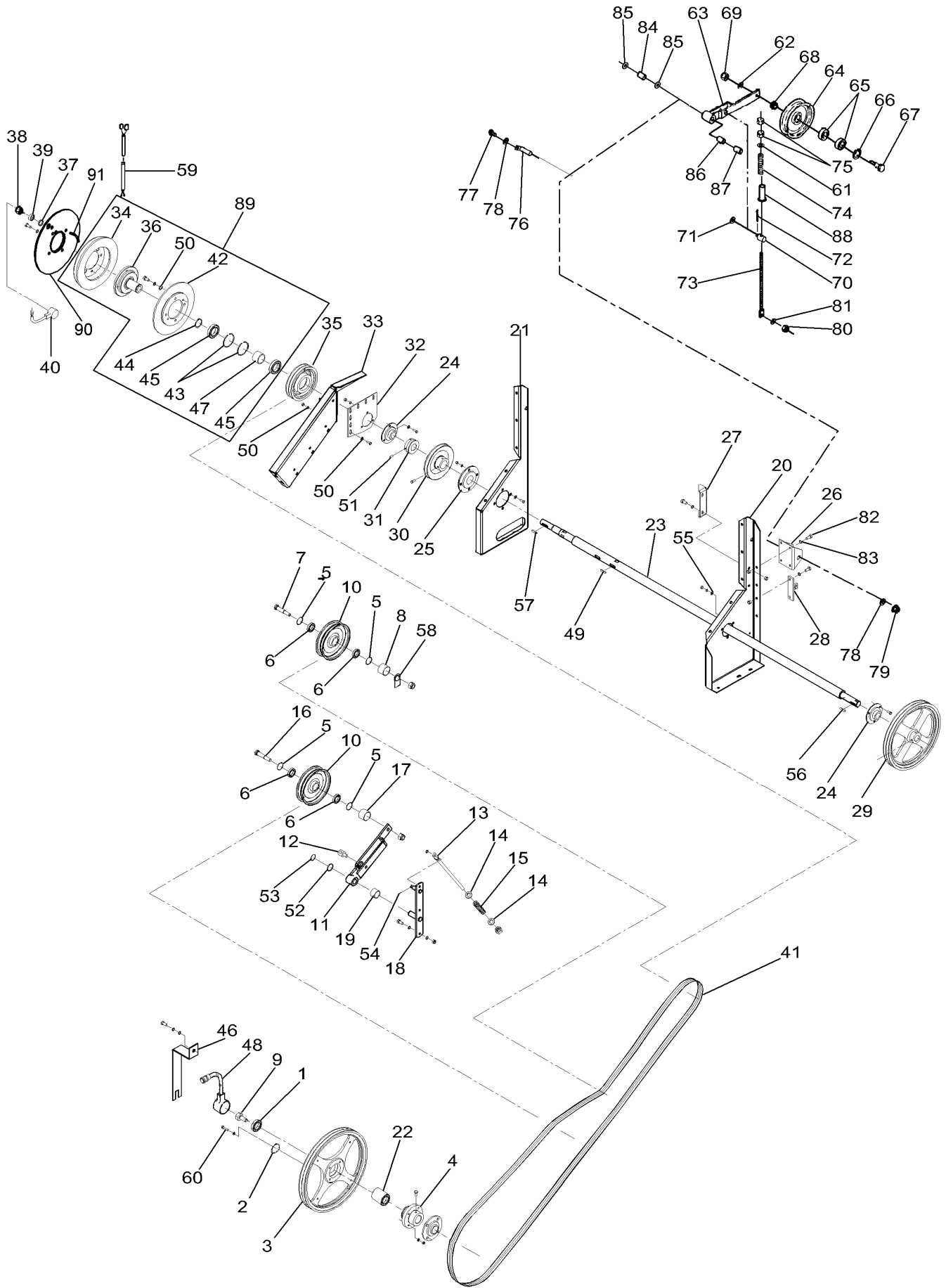
[A] OPTIONAL EQUIPMENT, LONG.
 EQUIPEMENT EN OPTION, LONG.
 SONDERZUBEHOR, LANG.
 EQUIPO OPCIONAL, LARGO

[B] OPTIONAL EQUIPMENT, SHORT
 EQUIPEMENT EN OPTION, COURT
 SONDERZUBEHOR, LANG
 EQUIPO OPCIONAL, CORTA



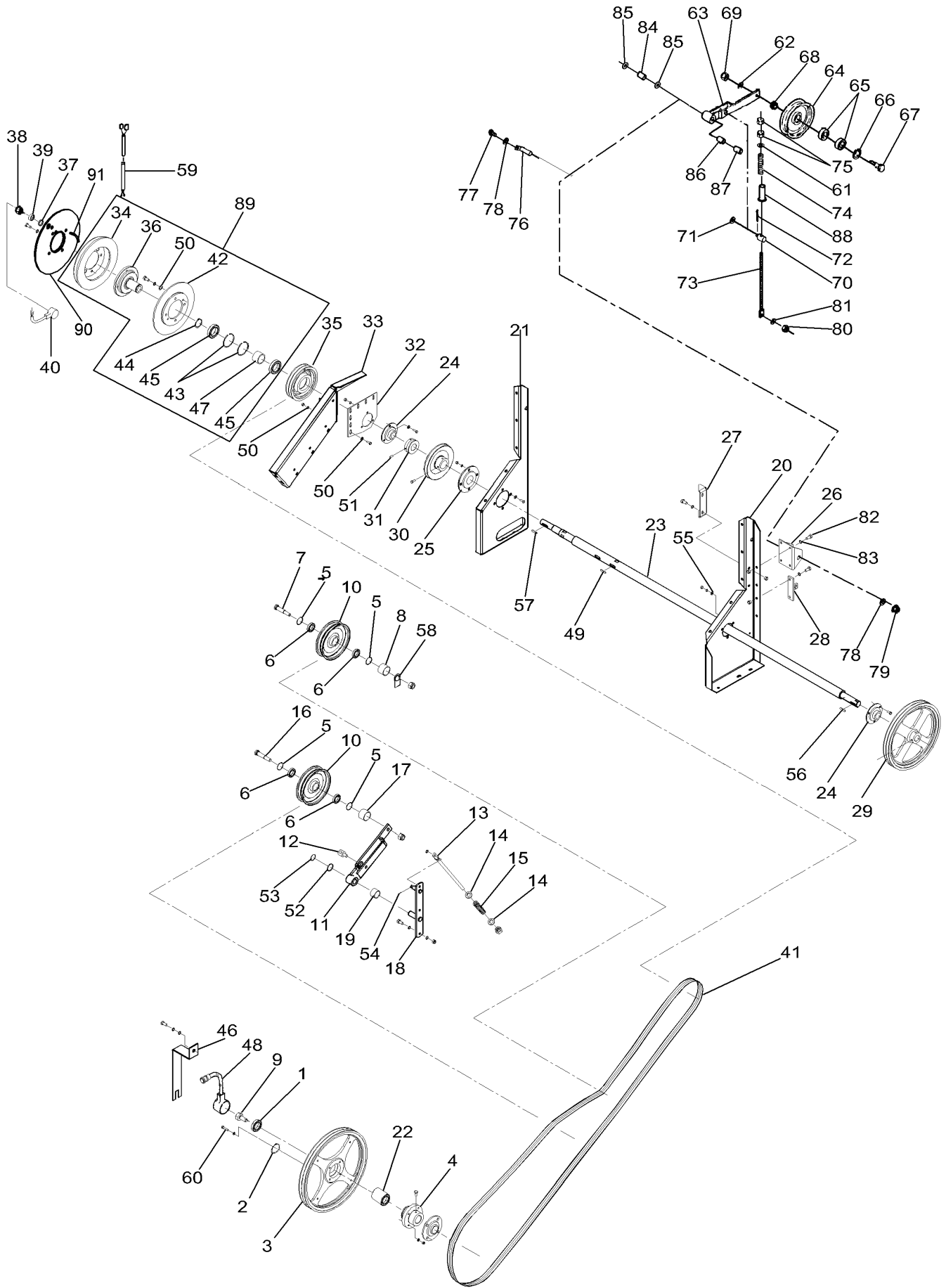
D-ZIYB-003-C

1	D28885861		1	SUPPORT	SUPPORT	TRAGER	SOPORTE
2	D28880283		1	BRACKET	SUPPORT FIXATION	HALTEAM	SOPORTE
3	D20400537		2	SPACER	ENTRETOISE	ABSTANDSTUECK	DISCO ESPACIADOR
4	D28880650		1	PIPE	TUYAU	TUBE	TUBO
6	D45263900		2	UNION	RACCORD	VERSCHRAUBUNG	RACOR
7	D58880034		1	FUNNEL	ENTONNOIR	TRICHTER	EMBUDO
8	D45254000		1	UNION	RACCORD	VERSCHRAUBUNG	RACOR
9	D45739100		1	SUPPORT	SUPPORT	TRAGER	SOPORTE
10	D28750783		1	REINFORCEMENT	RENFORT	VERSTAERKUNG	REFUERZO
11	D28880330		1	REINFORCEMENT	RENFORT	VERSTAERKUNG	REFUERZO
12	D28886772		1	FLANGE	FLASQUE	FLANSCH	PLETINA
13	D58880498		4	FLANGE	FLASQUE	FLANSCH	PLETINA
14	D28880499		4	FLANGE	FLASQUE	FLANSCH	PLETINA
15	D28750214		1	CLEVIS PIN	AXE	SPLINTBOLZEN	BULON CILINDRICO
16	354078X1	3/16" X 1-1/4	4	SPLIT PIN	GOUPILLE FENDUE	SPALTBOLZEN	PASADOR HENDIDO
17	D28850877		1	PIN	GOUPILLE	STIFT	PASADOR
18	D58880366		1	GATE	PORTE	TOR	PORTILLO
19	D41057300		1	WING NUT	ECROU A AILETTES	FLUEGELMUTTER	TUERCA MARIPOSA
20	D28851026		1	PLATE	PLAQUE	PLATTE	PLATO
21	D28880024		1	STOP	BUTEE	ANSCHLAG	PARO
22	D28851025		1	RETAINER	RETENEUR	HALTERING	RETENEDOR
23	D45100065		1	RAM	VERIN	HYDR.ZYLINDER	ARIETE
24	D43008100		1	CONNECTOR	BORNE.	DOPPELNIPPEL	CONECTOR
25	D28885250	◀▶ 525 mm	1	TUBE	TUBE	ROHR	TUBO.
25	D28885251	◀▶ 675 mm	1	TUBE	TUBE	ROHR	TUBO.
25	D28885252	◀▶ 1115 mm	1	TUBE	TUBE	ROHR	TUBO.
25	D28885253	◀▶ 1685 mm	1	TUBE	TUBE	ROHR	TUBO.
26	D28885249		1	BLOCK	BLOC	BLOCK	BLOQUE
27	339003X1	AM8	4	GREASE FITTING	GRAISSEUR	DRUCKSCHMIERKOPF	ENGRASADOR
28	D28660143		2	BUSH	BAGUE	RING	CASQUILLO
29	D45120071		1	SEGMENT	SEGMENT	SEGMENT	SEGMENTO
30	D20400424		1	WASHER	RONDELLE	SCHEIBE	ARANDELA
31	D40439900		1	SCREW	VIS	SCHRAUBE	TORNILLO
32	D40411400		1	SCREW METRIC	VIS METRIQUE	SCHRAUBE METR	TORNILLO METRICO



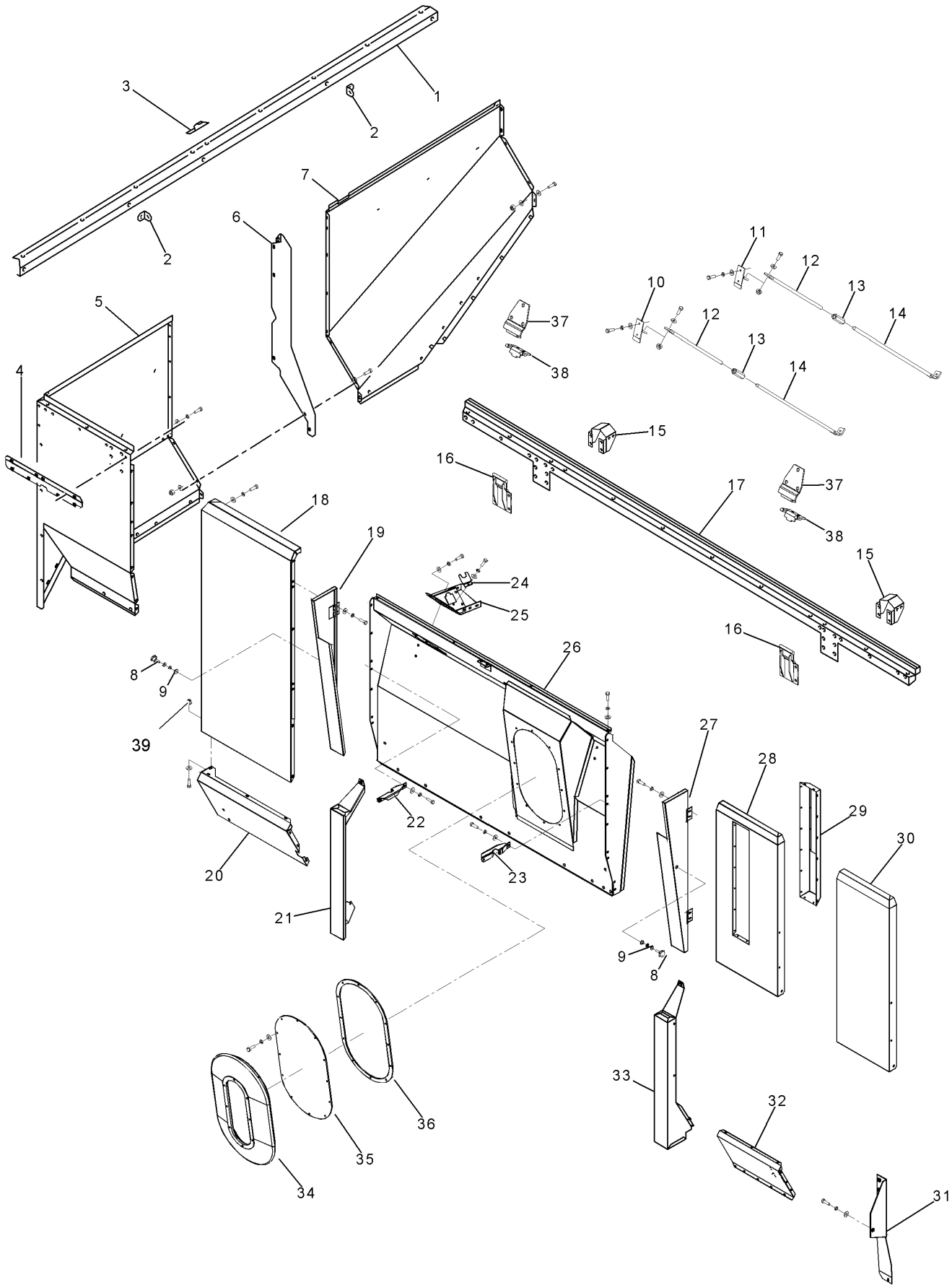
D-ZIZC-006-C

1	1440487X1		1	BEAR. 6203 2RS	RLT 6203 2RS	LAGER 6203 2RS	RODA. 6203 2RS
2	D42505800		1	CIRCLIP	CIRCLIP	SEEGERING	GRAPA CIRCULAR
3	D28885163		1	PULLEY	POULIE	RIEMENSCHIEBE	POLEA
4	D28885162		1	FLANGE	FLASQUE	FLANSCH	PLETINA
5	339199X1		4	CIRCLIP	CIRCLIP	SEEGERING	GRAPA CIRCULAR
6	SKF62042RS		4	BEAR. 6204 2RS	RLT 6204 2RS	LAGER 6204 2RS	RODA. 6204 2RS
7	D28885049		1	BOLT	BOULON	BOLZEN	BULON
8	D28885047		1	SPACER	ENTRETOISE	ABSTANDSTUECK	DISCO ESPACIADOR
9	D28780516		1	INDUCTIVE SENSOR	CAPTEUR INDUCTIF	INDUKT EMPFANGER	CAPTADOR INDUCTI
10	D28250441		2	PULLEY	POULIE	RIEMENSCHIEBE	POLEA
11	D28880495		1	LEVER	LEVIER	HEBEL	PALANCA
12	D28880473		1	PIN	GOUPILLE	STIFT	PASADOR
13	D28380011		1	TIE ROD	TRINGLERIE	ZUGSTANGE	BRAZO DE ENLACE
14	D28181284		2	WASHER	RONDELLE	SCHEIBE	ARANDELA
15	D28210881		1	COMP.SPRING	RESSORT DE COMPR	DRUCKFEDER	RESORTE DE COMP.
16	D28250444		1	BOLT	BOULON	BOLZEN	BULON
17	D28880354		1	SPACER	ENTRETOISE	ABSTANDSTUECK	DISCO ESPACIADOR
18	D28885046		1	SHAFT	ARBRE	WELLE	ARBOL
19	D28885048		1	SPACER	ENTRETOISE	ABSTANDSTUECK	DISCO ESPACIADOR
20	D28885633	◀	1	BRACKET	SUPPORT FIXATION	HALTEAM	SOPORTE
21	D28885632	▶	1	BRACKET	SUPPORT FIXATION	HALTEAM	SOPORTE
22	D28885444		1	SLEEVE	MANCHON	HUELSE	MANGUITO
23	D28885635		1	COUNTER SHAFT	ARBRE DE RENVOI	TRANSMIS.WELLE	CONTRAEJE
24				NOT USED	NON UTILISE	NICHT VERWENDET	NO SE USA
25				NOT USED	NON UTILISE	NICHT VERWENDET	NO SE USA
26	D28880359		1	SUPPORT	SUPPORT	TRAGER	SOPORTE
27	D28885043		1	SUPPORT	SUPPORT	TRAGER	SOPORTE
28	D28880361		1	CLAMP	COLLIER	HALTESCHELLE	ABRAZADERA
29	D28885042		1	PULLEY	POULIE	RIEMENSCHIEBE	POLEA
30	D28785072		1	PULLEY	POULIE	RIEMENSCHIEBE	POLEA
31	D28786225		1	PULLEY	POULIE	RIEMENSCHIEBE	POLEA
32	D28885634		1	BEARING PLATE	PLAQUE ROULEMENT	LAGERPLATTE	PLACA DE APOYO
33	D28880194		1	BRACKET	SUPPORT FIXATION	HALTEAM	SOPORTE
34	D45060200	89	1	MAGNET	AIMANT	MAGNET	IMAN
34*	D45080168	89 ➔	1	MAGNET	AIMANT	MAGNET	IMAN
35	D28885060		1	PULLEY	POULIE	RIEMENSCHIEBE	POLEA
35*	D28885578	➔	1	PULLEY	POULIE	RIEMENSCHIEBE	POLEA
36	D28885065	89	1	HUB	MOYEU	NABE	CUBO
37	D42596300		1	TIGHTENER	TENSEUR	SPANNROLLE	TENSADOR
38	1441410X1	M22	1	NUT	ECROU	MUTTER	TUERCA
39	D28882101		1	FLANGE	FLASQUE	FLANSCH	PLETINA
40	D28780404		1	RETAINER	RETENEUR	HALTERING	RETENEDOR
41	D41978800		1	BELT	COURROIE	RIEMEN	CORREA
42	D45080033	89	1	PLATE	PLAQUE	PLATTE	PLATO
42*	D45080169	89 ➔	1	PLATE	PLAQUE	PLATTE	PLATO
43	339437X1	89	2	CIRCLIP	CIRCLIP	SEEGERING	GRAPA CIRCULAR
44	391129X1	89	1	CIRCLIP	CIRCLIP	SEEGERING	GRAPA CIRCULAR
45	391347X1	89	2	BEAR. 6010 2RS	RLT 6010 2RS	LAGER 6010 2RS	RODA. 6010 2RS
46	D28780724		1	RETAINER	RETENEUR	HALTERING	RETENEDOR
47	D28885066	89	1	BUSH	BAGUE	RING	CASQUILLO
48	D28780514		1	SENSOR	DETECTEUR	SENSOR	DETECTOR
49	339441X1		1	KEY PARALLEL	CLAVETTE PARALEL	PASSFEDER	CHAVETA PLANA
50	D20400473	89	16	WASHER	RONDELLE	SCHEIBE	ARANDELA
51	D40609000		1	PIN	GOUPILLE	STIFT	PASADOR
52	D20400530		1	SPACER	ENTRETOISE	ABSTANDSTUECK	DISCO ESPACIADOR
53	1440476X1		1	CIRCLIP	CIRCLIP	SEEGERING	GRAPA CIRCULAR
54	354059X1	1/8" X 1	1	SPLIT PIN	GOUPILLE FENDUE	SPALTBOLZEN	PASADOR HENDIDO
55	D20400507		3	SPACER	ENTRETOISE	ABSTANDSTUECK	DISCO ESPACIADOR
56	339441X1		1	KEY PARALLEL	CLAVETTE PARALEL	PASSFEDER	CHAVETA PLANA
57	D43107500		1	KEY	CLAVETTE	STELLKEIL	CHAVETA
58	D28251476		1	RETAINER	RETENEUR	HALTERING	RETENEDOR
59	D28851037		1	HARNESS	FAISCEAU	KABELBAUM	MAZO CABLES
60*	D40464600	M8 X 65	2	BOLT	BOULON	BOLZEN	BULON
61	D28181284		1	WASHER	RONDELLE	SCHEIBE	ARANDELA
62	D20400459		1	WASHER	RONDELLE	SCHEIBE	ARANDELA
63	D28880495		1	LEVER	LEVIER	HEBEL	PALANCA
64	D28250441	∅ 200 mm	1	PULLEY	POULIE	RIEMENSCHIEBE	POLEA
65	SKF62042RS		2	BEAR. 6204 2RS	RLT 6204 2RS	LAGER 6204 2RS	RODA. 6204 2RS
66	339199X1		1	CIRCLIP	CIRCLIP	SEEGERING	GRAPA CIRCULAR
67	D28250444		1	BOLT	BOULON	BOLZEN	BULON
68	D28880354		1	SPACER	ENTRETOISE	ABSTANDSTUECK	DISCO ESPACIADOR
69	1442739X1	M16	1	LOCKNUT	ECROU FREIN	SICHERUNGSMUTTER	CONTRATUERCA
70	D28780473		1	RAM	VERIN	HYDR.ZYLINDER	ARIETE
71	D20400429		1	WASHER	RONDELLE	SCHEIBE	ARANDELA
72	339129X1	∅ 3,2 X 25	1	SPLIT PIN	GOUPILLE FENDUE	SPALTBOLZEN	PASADOR HENDIDO
73	D28380011		1	TIE ROD	TRINGLERIE	ZUGSTANGE	BRAZO DE ENLACE
74	D28210881		1	COMP.SPRING	RESSORT DE COMPR	DRUCKFEDER	RESORTE DE COMP.
75	339034X1	M16	2	NUT	ECROU	MUTTER	TUERCA
76	D28880360		1	PIN	GOUPILLE	STIFT	PASADOR
77	339560X1	M6 X 16	2	HEX. SOCK. SCREW	VIS TETE HEX	ZYLINDERSCHRAUBE	TORN.CAB.HUECA
78	D20400404		3	WASHER	RONDELLE	SCHEIBE	ARANDELA
79	1441462X1	M6	1	LOCKNUT	ECROU FREIN	SICHERUNGSMUTTER	CONTRATUERCA



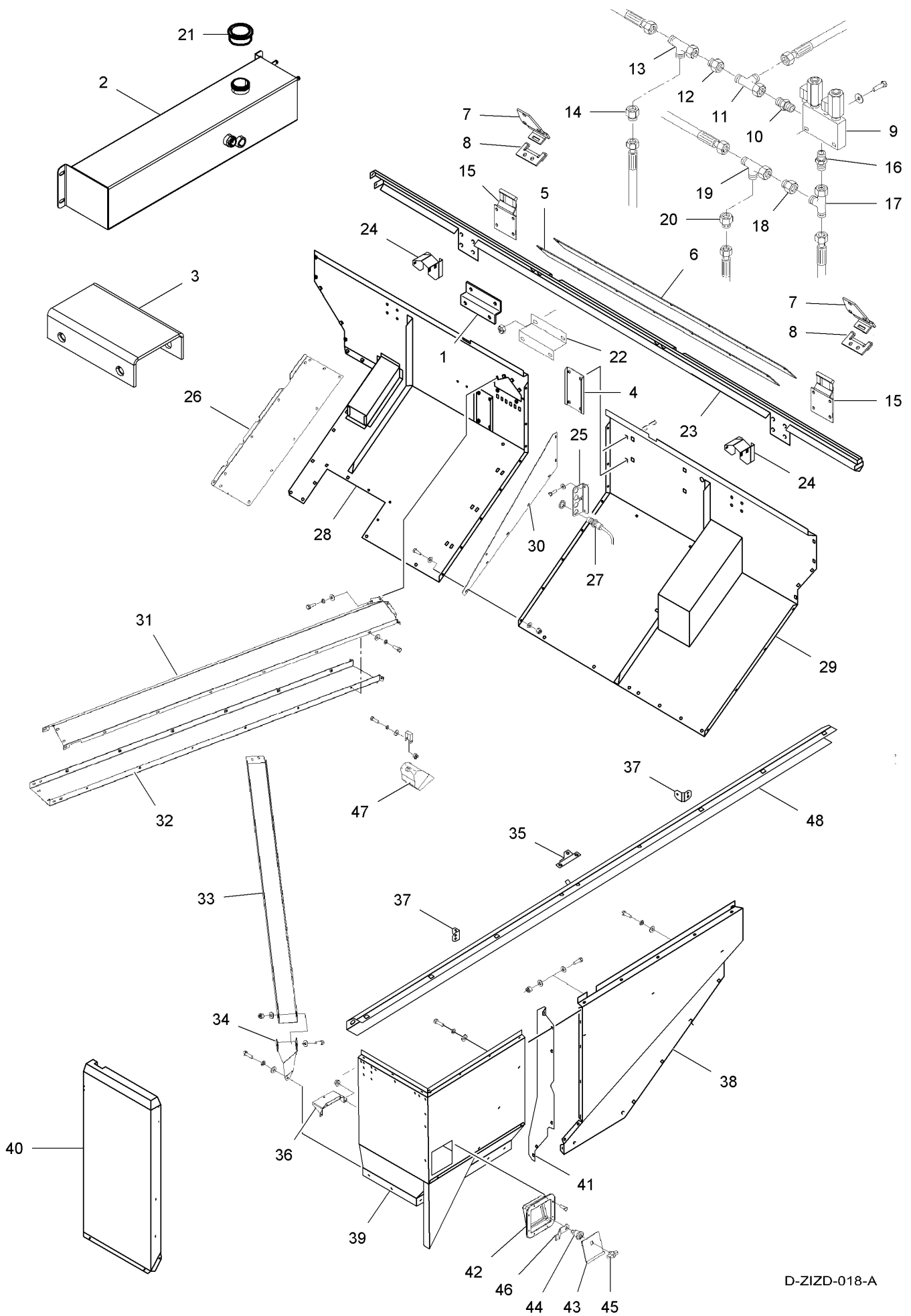
D-ZIZC-006-C

80	1440329X1	M10	1	LOCKNUT	ECROU FREIN	SICHERUNGSMUTTER	CONTRATUERCA
81	D20400471		4	WASHER	RONDELLE	SCHEIBE	ARANDELA
82	339814X1	M10 X 35	11	HEX. SOCK. SCREW	VIS TETE HEX	ZYLINDERSCHRAUBE	TORN.CAB.HUECA
83	D20400416		20	WASHER	RONDELLE	SCHEIBE	ARANDELA
84	D28880489		1	BUSH	BAGUE	RING	CASQUILLO
85	D20400530		2	SPACER	ENTRETOISE	ABSTANDSTUECK	DISCO ESPACIADOR
86	D43364000		1	BUSH	BAGUE	RING	CASQUILLO
87	D43364300		1	BUSH	BAGUE	RING	CASQUILLO
88	D28780318		1	GUIDE	GUIDE	FUEHRUNG	GUIA
89	D28885067	CPL.	1	CLUTCH	EMBRAYAGE	SCHALTKUPPLUNG	EMBRAGUE
89*	D28885576	➡ 61365 CPL.	1	CLUTCH	EMBRAYAGE	SCHALTKUPPLUNG	EMBRAGUE
90*	D28885577	➡ 61365 CPL.	1	PART	PIECE	TEILE	PIEZA
91*	D28885579	➡ 61365	1	GUARD	GARDE	SCHUTZVORR	DEFENSA



D-ZIZD-008-B

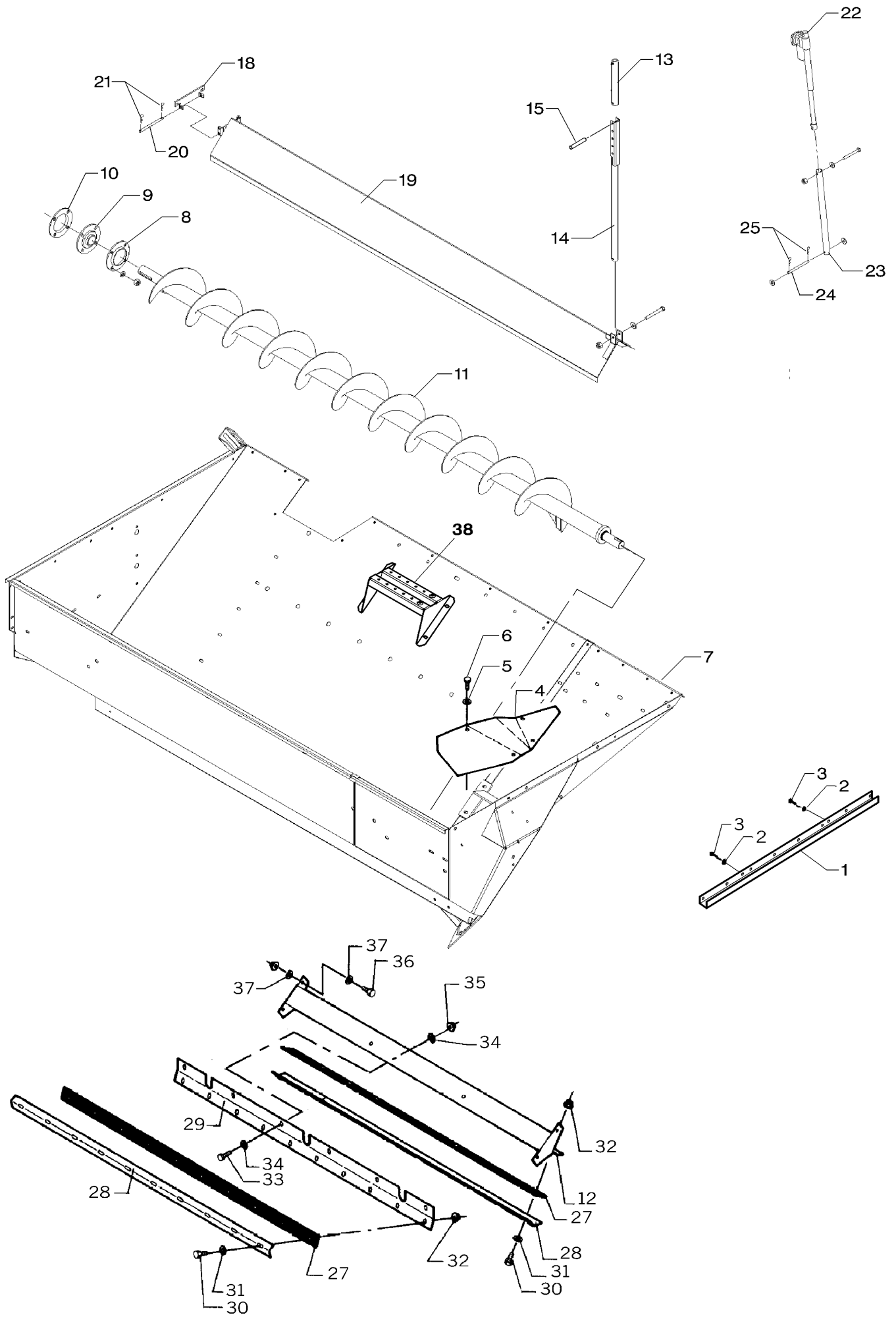
1	D28885706		1	PLATE	PLAQUE	PLATTE	PLATO
2	D28885803	10500L	2	SUPPORT	SUPPORT	TRAGER	SOPORTE
3	D28885831		1	SUPPORT	SUPPORT	TRAGER	SOPORTE
4				NOT USED	NON UTILISE	NICHT VERWENDET	NO SE USA
5	D58885662		1	CORNER	COIN	ECKE	ESCUADRA.
6	D28885721		1	STAY	HAUBAN	STREBE	TIRANTE
7	D58885664		1	PLATE	PLAQUE	PLATTE	PLATO
8	D43385300		1	SCREW	VIS	SCHRAUBE	TORNILLO
9	D44731100		1	GROMMET	PASSE FIL	GUMMITUELLE	PASACABLE
10	D28880309	▶	1	TENSIONER	TENDEUR	SPANNER	TENSOR
11	D28880293	◀	1	TENSIONER	TENDEUR	SPANNER	TENSOR
12	D28880305		2	REINFORCEMENT	RENFORT	VERSTAERKUNG	REFUERZO
13	D28884116		2	NUT	ECROU	MUTTER	TUERCA
14	D28880302		2	REINFORCEMENT	RENFORT	VERSTAERKUNG	REFUERZO
15	D28885698		2	SUPPORT	SUPPORT	TRAGER	SOPORTE
16	D28885856		2	SUPPORT	SUPPORT	TRAGER	SOPORTE
17	D28885704		1	PLATE	PLAQUE	PLATTE	PLATO
18	D58885656		1	CORNER	COIN	ECKE	ESCUADRA.
19	D28185712	▶	1	PANEL	PANNEAU	WANDPLATTE	PANEL
20	D28184486		1	GUARD	GARDE	SCHUTZVORR	DEFENSA
20*	D58187018	➡ 61490	1	GUARD	GARDE	SCHUTZVORR	DEFENSA
21	D28186747		1	GUARD	GARDE	SCHUTZVORR	DEFENSA
22	D28885817		1	BRACKET	SUPPORT FIXATION	HALTEAM	SOPORTE
23	D28885817		1	BRACKET	SUPPORT FIXATION	HALTEAM	SOPORTE
24	D28880287		1	COVER	COUVERCLE	ABDECKUNG.	CUBIERTA
25	D28885297		1	CASE ASSY	BOITIER	GEHAEUSE KPL	CAJA COMPLETA
26	D58885658		1	PANEL	PANNEAU	WANDPLATTE	PANEL
27	D28185704	◀	1	COVER	COUVERCLE	ABDECKUNG.	CUBIERTA
28				NOT USED	NON UTILISE	NICHT VERWENDET	NO SE USA
29				NOT USED	NON UTILISE	NICHT VERWENDET	NO SE USA
30	D58885676		1	CORNER	COIN	ECKE	ESCUADRA.
31	D28185706		1	BRACKET	SUPPORT FIXATION	HALTEAM	SOPORTE
32	D28186147		1	GUARD	GARDE	SCHUTZVORR	DEFENSA
33	D28186698		1	GUARD	GARDE	SCHUTZVORR	DEFENSA
34	D28985586		1	BELLOWS	SOUFFLET	FALTENBALG	FUELLE
35	D28985571		1	WINDOW	GLACE	FENSTER	VENTANA
36	D58985572		1	PLATE	PLAQUE	PLATTE	PLATO
37	D28885852		2	STRAP	PATTE	LASCHE	FAJA
38	D28885853		2	STRAP	PATTE	LASCHE	FAJA
39	D45742200		2	PLUG	BOUCHON	STOPFEN	TAPON



D-ZIZD-018-A

1 D28786605		1 PLATE	PLAQUE	PLATTE	PLATO
2 D28787041		1 EXPANSION TANK	RESERVOIR COMP	AUSGL.BEHAELTER	DEPOSITO EXPANSN
3 D28787423		1 VALVE BLOCK	BLOC VALVE	VENTILBLOCK	BLOQUE VALVULAS
4 D28785411		1 SUPPORT	SUPPORT	TRAGER	SOPORTE
5 D44745200	[A] 10 M	X SEAL	JOINT ETANCHEITE	DICHRING	JUNTA REDONDA
6 D28885859		1 REINFORCEMENT	RENFORT	VERSTAERKUNG	REFUERZO
7 D28885853		2 STRAP	PATTE	LASCHE	FAJA
8 D28885852		2 STRAP	PATTE	LASCHE	FAJA
9 D45110070		1 BLOCK	BLOC	BLOCK	BLOQUE
10 D45255500		1 FITTING	MONTAGE	ANSCHL.VERSCHRBG	ACCESORIO.
11 D45266800		1 FITTING	MONTAGE	ANSCHL.VERSCHRBG	ACCESORIO.
12 D45273100		1 REDUCER	REDUCTEUR	REDUZIERSTUECK	REDUCCION
13 D45266600		1 UNION	RACCORD	VERSCHRAUBUNG	RACOR
14 D45272000		1 CONNECTOR	BORNE.	DOPELNIPPEL	CONECTOR
15 D28885678		2 SUPPORT	SUPPORT	TRAGER	SOPORTE
16 D45251500		1 UNION	RACCORD	VERSCHRAUBUNG	RACOR
17 D45266600		1 UNION	RACCORD	VERSCHRAUBUNG	RACOR
18 D45272800		1 UNION	RACCORD	VERSCHRAUBUNG	RACOR
19 D45266200		1 UNION	RACCORD	VERSCHRAUBUNG	RACOR
20 D45272100		1 CONNECTOR	BORNE.	DOPELNIPPEL	CONECTOR
21 D46490094		1 CAP	CHAPEAU	KAPPE	TAPA
22 D28785384		1 CONSOLE	CONSOLE	KONSOLE	CONSOLA
23 D28885701		1 PLATE	PLAQUE	PLATTE	PLATO
24 D28885856		2 SUPPORT	SUPPORT	TRAGER	SOPORTE
25 D28780748		1 RETAINER	RETENEUR	HALTERING	RETENEDOR
26 D58885219		1 PLATE	PLAQUE	PLATTE	PLATO
27 D28780531		1 WARN INDICATOR	INDICATEUR SIGN	WARNANZEIGER	LUZ TESTIGO
28 D58885674		1 BACKPLATE	DOSSERET	RUECKWAND	PLACA POSTERIOR
29 D58885672		1 BACKPLATE	DOSSERET	RUECKWAND	PLACA POSTERIOR
30 D58885022		1 BRACE	BRETELLE	HALTEBAND	RIOSTRA
31 D28885333		1 CASE ASSY	BOITIER	GEHAEUSE KPL	CAJA COMPLETA
32 D28885332		1 CASE ASSY	BOITIER	GEHAEUSE KPL	CAJA COMPLETA
33 D28885434		1 CHUTE	DESCENTE	AUSWURFSCHACHT	CAIDA
34 D28885430		1 PROFILE	PROFIL	PROFIL	PERFIL
35 D28885831		1 SUPPORT	SUPPORT	TRAGER	SOPORTE
36 D28181054		1 SUPPORT	SUPPORT	TRAGER	SOPORTE
37 D28885803	10500L	2 SUPPORT	SUPPORT	TRAGER	SOPORTE
38 D58885671		1 PLATE	PLAQUE	PLATTE	PLATO
39 D58885667		1 CORNER	COIN	ECKE	ESCUADRA.
40 D58885676		1 CORNER	COIN	ECKE	ESCUADRA.
41 D28885722		1 BRACE	BRETELLE	HALTEBAND	RIOSTRA
42 D28181052		1 FRAME ASSY	CADRE	RAHMEN KPL	CJTO.BASTIDOR
43 D28181056		1 TRAP	TRAPPE	FANGKLAPPE	PURGADOR
44 D43429200		1 HOUSING	CARTER	GEHAEUSE	ALOJAMIENTO
45 D43429300		1 PUNCH	POINCON	DURCHSCHLAG	PUNZON
46 D43429400		1 LATCH	VERROU	KLINKE	TOPE
47 D45084700		1 WORKLIGHT	PHARE TRAVAIL	ARBEITSSSCHEINWER	FARO DE TRABAJO
48 D28885702		1 PLATE	PLAQUE	PLATTE	PLATO

IAI CUT TO REQUIRED LENGTH
 COUPER A LA LONGEUR DESIREE
 BENOETIGTE LAENGE ABSCHNEIDEN
 CORTAR A LA LONGITUD DESEADA

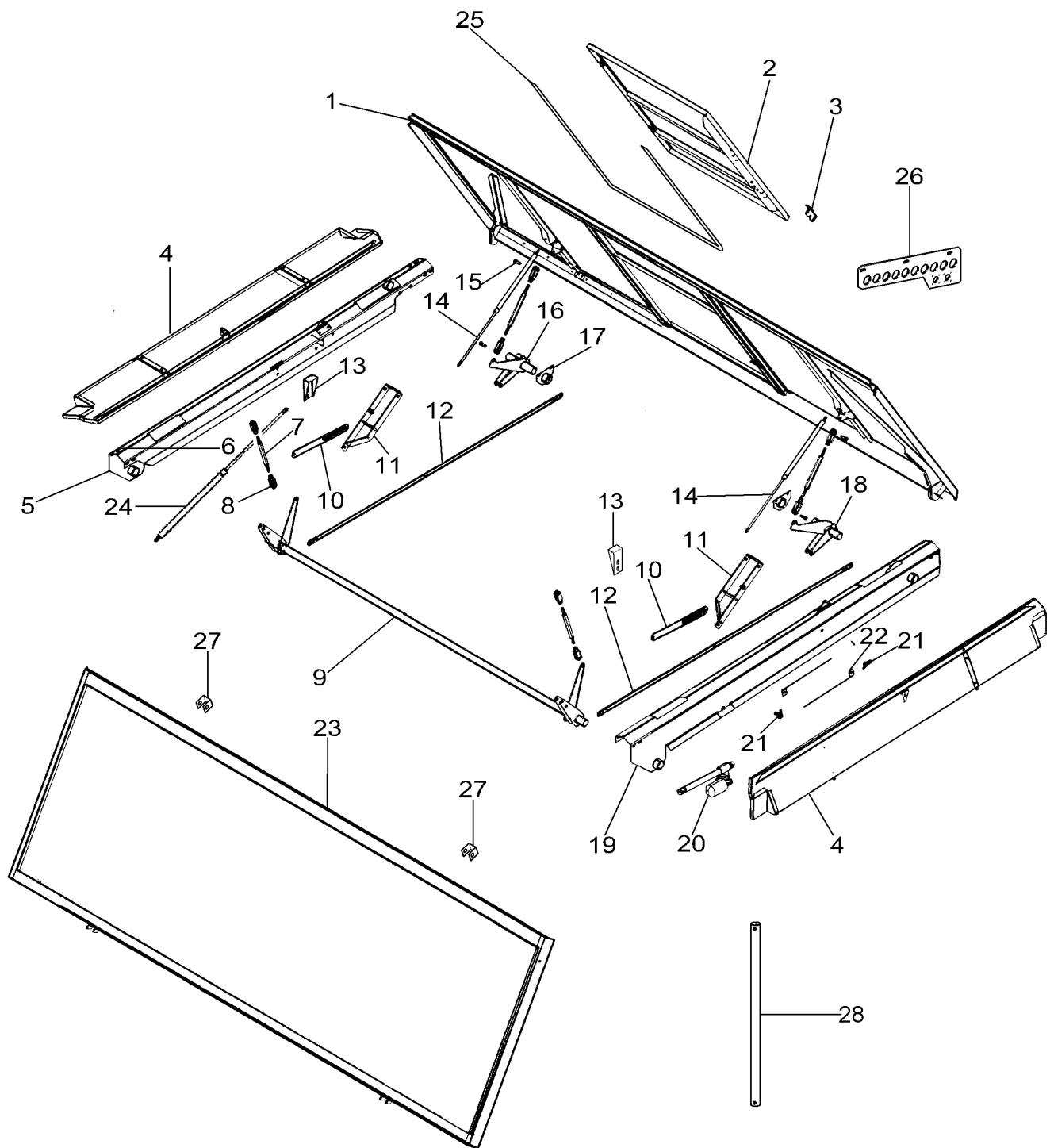


D-ZIZE-007-B

1	D28880377		1	PROFILE	PROFIL	PROFIL	PERFIL
2	D20400506		X	WASHER	RONDELLE	SCHEIBE	ARANDELA
3	339337X1	M8 X 30	X	HEX. SOCK. SCREW	VIS TETE HEX	ZYLINDERSCHRAUBE	TORN.CAB.HUECA
4	D28880234		1	PLATE	PLAQUE	PLATTE	PLATO
5	D20400405		4	WASHER	RONDELLE	SCHEIBE	ARANDELA
6	339560X1	M6 X 16	4	HEX. SOCK. SCREW	VIS TETE HEX	ZYLINDERSCHRAUBE	TORN.CAB.HUECA
7	D28880220		1	BOTTOM	FOND	BODEN	FONDO
8	D41705600		1	FLANGE	FLASQUE	FLANSCH	PLETINA
9	D41705700		1	BALL BEARING	ROULEMENT BILLES	KUGELLAGER	COJINETE DE BOLA
10	D41714700		1	FLANGE	FLASQUE	FLANSCH	PLETINA
11	D28885555		1	AUGER	VIS SANS FIN	FOERDERSCHNECKE	SINFIN
11	D28885556	[B]	1	AUGER	VIS SANS FIN	FOERDERSCHNECKE	SINFIN
11	D28885551	▶	1	SHAFT	ARBRE	WELLE	ARBOL
12	D28380193		1	DEFLECTOR	DEFLECTEUR	ABWEISBLECH	DEFLECTOR
13	D28885616		1	TUBE	TUBE	ROHR	TUBO.
14	D28880338		1	ROD	TRINGLE	STANGE	VARILLA
15	D28230632		1	PIN	GOUPILLE	STIFT	PASADOR
18	D28851231		1	HINGE	CHARNIERE	SCHARNIER	CHARNELA
19	D28880241		1	PLATE	PLAQUE	PLATTE	PLATO
20	D28851230		1	HINGE	CHARNIERE	SCHARNIER	CHARNELA
21	D44358000		2	HAIR PIN	EPINGLE	SICHERUNGSFEDER	RETENEDOR ELAST
22	D45059300	[A]	1	RAM	VERIN	HYDR.ZYLINDER	ARIETE
23	D28885240	[A]	1	LEVER	LEVIER	HEBEL	PALANCA
24	D28230632	[A]	1	PIN	GOUPILLE	STIFT	PASADOR
25	354066X1	[A]	2	SPLIT PIN	GOUPILLE FENDUE	SPALTBOLZEN	PASADOR HENDIDO
		5/32" X 1					
27	D28380132		2	SCRAPER	RACLETTE	KRATZER	PALETA
28	D28380133		2	RAIL	RAIL	SCHIENE	RIEL
29	D28380131		1	DEFLECTOR	DEFLECTEUR	ABWEISBLECH	DEFLECTOR
30	339337X1	M8 X 30	20	HEX. SOCK. SCREW	VIS TETE HEX	ZYLINDERSCHRAUBE	TORN.CAB.HUECA
31	D20400506		20	WASHER	RONDELLE	SCHEIBE	ARANDELA
32	394367X1	M8	22	NUT	ECROU	MUTTER	TUERCA
33	3009493X1	M10 X 30	6	HEX. SOCK. SCREW	VIS TETE HEX	ZYLINDERSCHRAUBE	TORN.CAB.HUECA
34	D20400416		12	WASHER	RONDELLE	SCHEIBE	ARANDELA
35	1440329X1	M10	6	LOCKNUT	ECROU FREIN	SICHERUNGSMUTTER	CONTRATUERCA
36	3009493X1	M10 X 30	X	HEX. SOCK. SCREW	VIS TETE HEX	ZYLINDERSCHRAUBE	TORN.CAB.HUECA
37	D20400416		8	WASHER	RONDELLE	SCHEIBE	ARANDELA
38	D28580446		3	SUPPORT	SUPPORT	TRAGER	SOPORTE

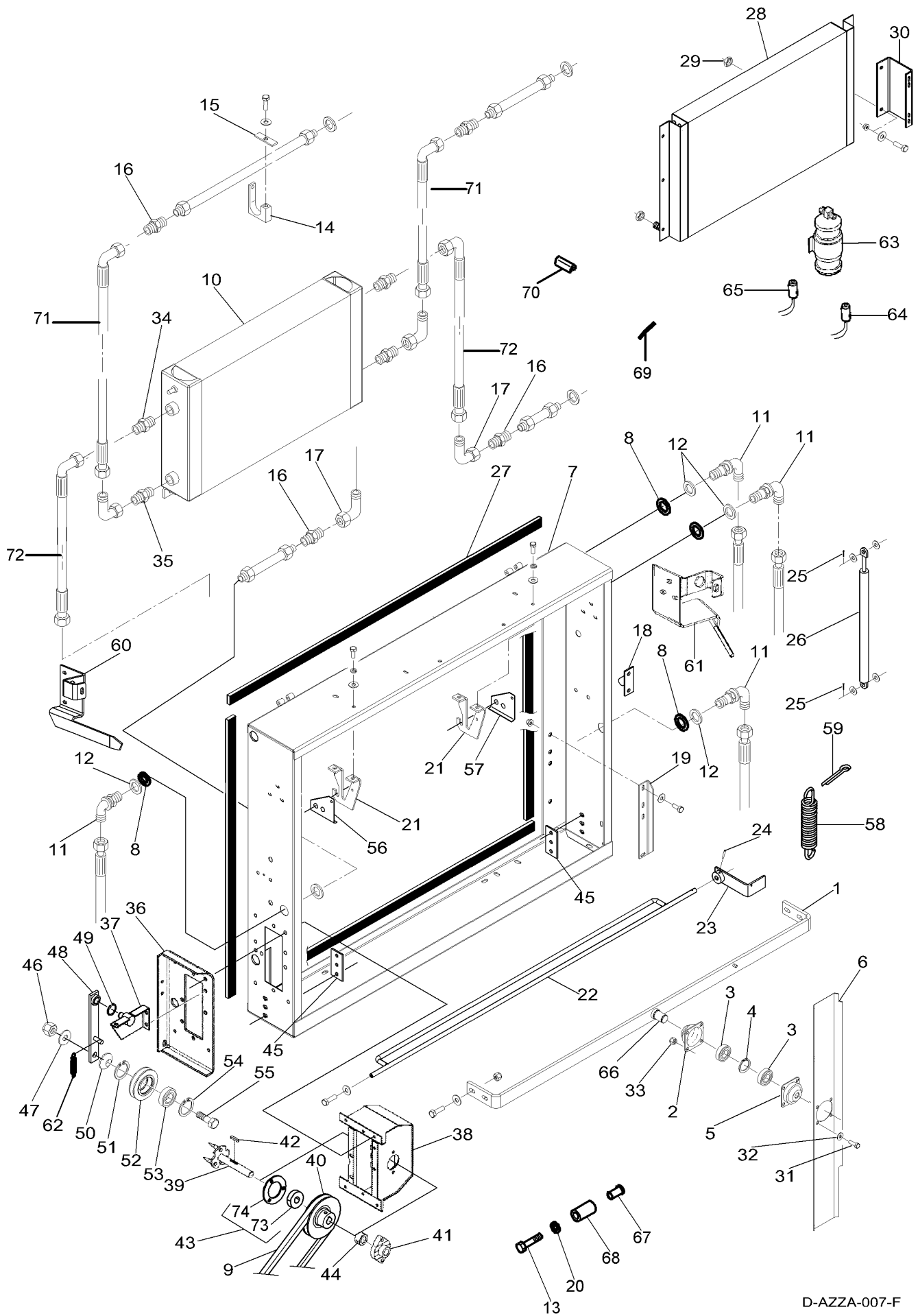
[A] OPTIONAL EQUIPMENT
 EQUIPEMENTS ACCESSOIRES
 SONDERZUBEHOR
 EQUIP. ADITAMENTO

[B] GRASS SEED AUGER
 VIS A GRAINE DE GRAMINEE
 GRASS SAMEN-SCHNECKE



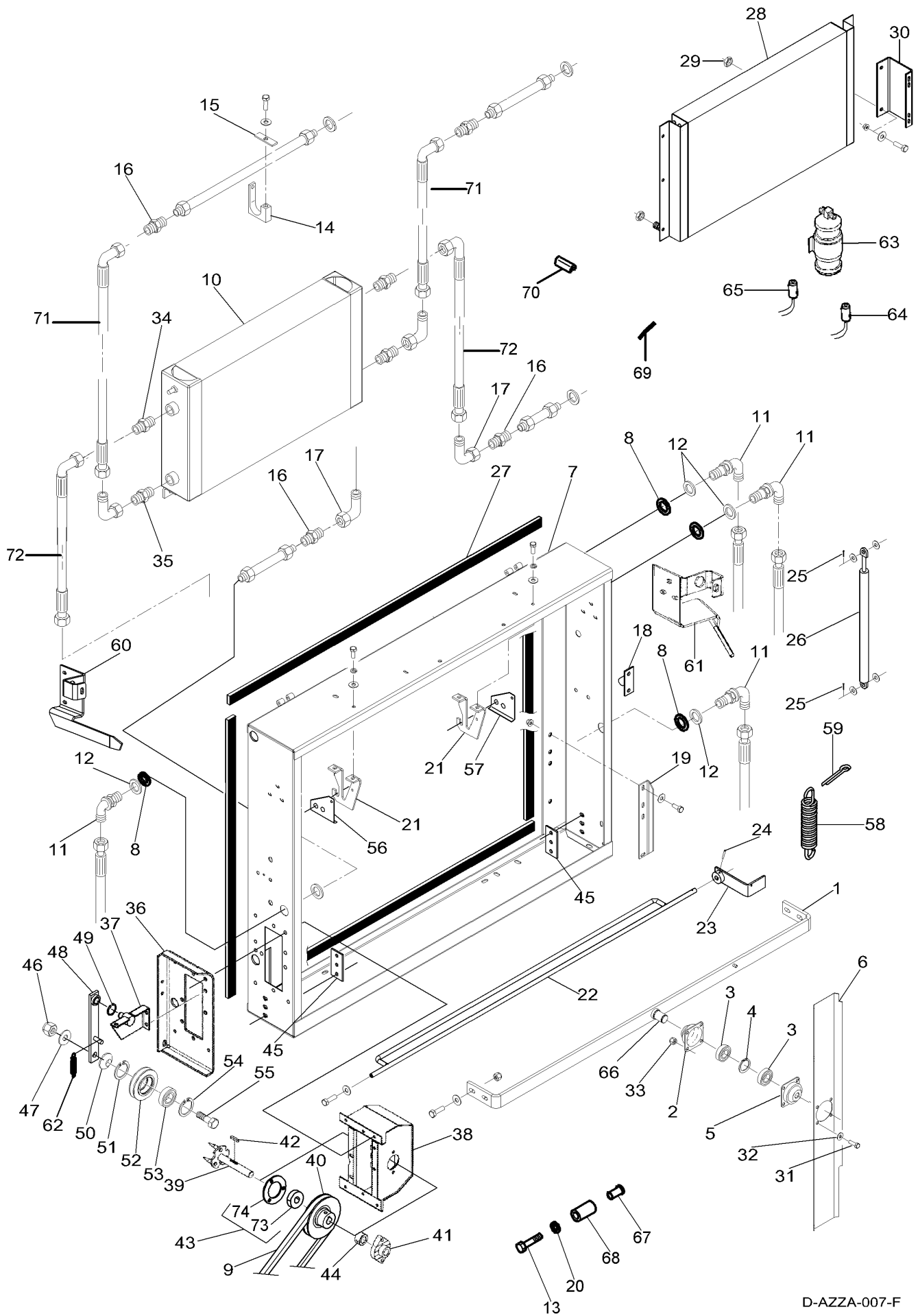
D-ZIZF-015-D

1 D58885653		1 PANEL	PANNEAU	WANDPLATTE	PANEL
2 D58885659		1 PANEL	PANNEAU	WANDPLATTE	PANEL
3 D43419900		1 LOCK	SERRURE	SCHLOSS	CERRADURA
4 D28885807	10500L	2 SIDE	COTE	SEITEN	LATERAL
5 D28885798		1 FRAME	BATI	RAHMEN	BASTIDOR
6 D45904600		4 CLEVIS	CHAPE	GABELSTUECK	GANCHO SEGUR.
7 D28885692		4 ROD	TRINGLE	STANGE	VARILLA
8 D45904500		4 CLEVIS	CHAPE	GABELSTUECK	GANCHO SEGUR.
9 D28885687		1 ROD	TRINGLE	STANGE	VARILLA
10 D28885814	10500L	2 LEVER	LEVIER	HEBEL	PALANCA
11 D28885820	10500L	2 LEVER	LEVIER	HEBEL	PALANCA
12 D28885691		1 LEVER	LEVIER	HEBEL	PALANCA
13 D28885727		2 SUPPORT	SUPPORT	TRAGER	SOPORTE
14 D45080017		2 GAS STRUT	VERIN AMORTISSEU	GASZYLINDER	CILINDRO GAS
15 D45904700		4 BOLT	BOULON	BOLZEN	BULON
16 D28885812		1 LEVER	LEVIER	HEBEL	PALANCA
17 D28885720		2 SUPPORT	SUPPORT	TRAGER	SOPORTE
18 D28885689		1 LEVER	LEVIER	HEBEL	PALANCA
19 D28885695		1 FRAME	BATI	RAHMEN	BASTIDOR
20 D44900996		1 RAM	VERIN	HYDR.ZYLINDER	ARIETE
21 D46436200		2 TOGGLE	ROTULE	GELENKZAPPEN	ROTULA
22 D28885832	10500L	2 STRAP	PATTE	LASCHE	FAJA
23 D58885654		1 PANEL	PANNEAU	WANDPLATTE	PANEL
24 D45050057		1 CYLINDER	CYLINDRE	ZYLINDER	CILINDRO
25 D44745200	◀▶ 10 M	1 SEAL	JOINT ETANCHEITE	DICHTRING	JUNTA REDONDA
26 D28885624		1 HOLDER	PIECE SUPPORT	HALTER	SUJETADOR
27 *D28885520		4 LATCH	VERROU	KLINKE	TOPE
28 *D28885851		1 ROD	TRINGLE	STANGE	VARILLA



D-AZZA-007-F

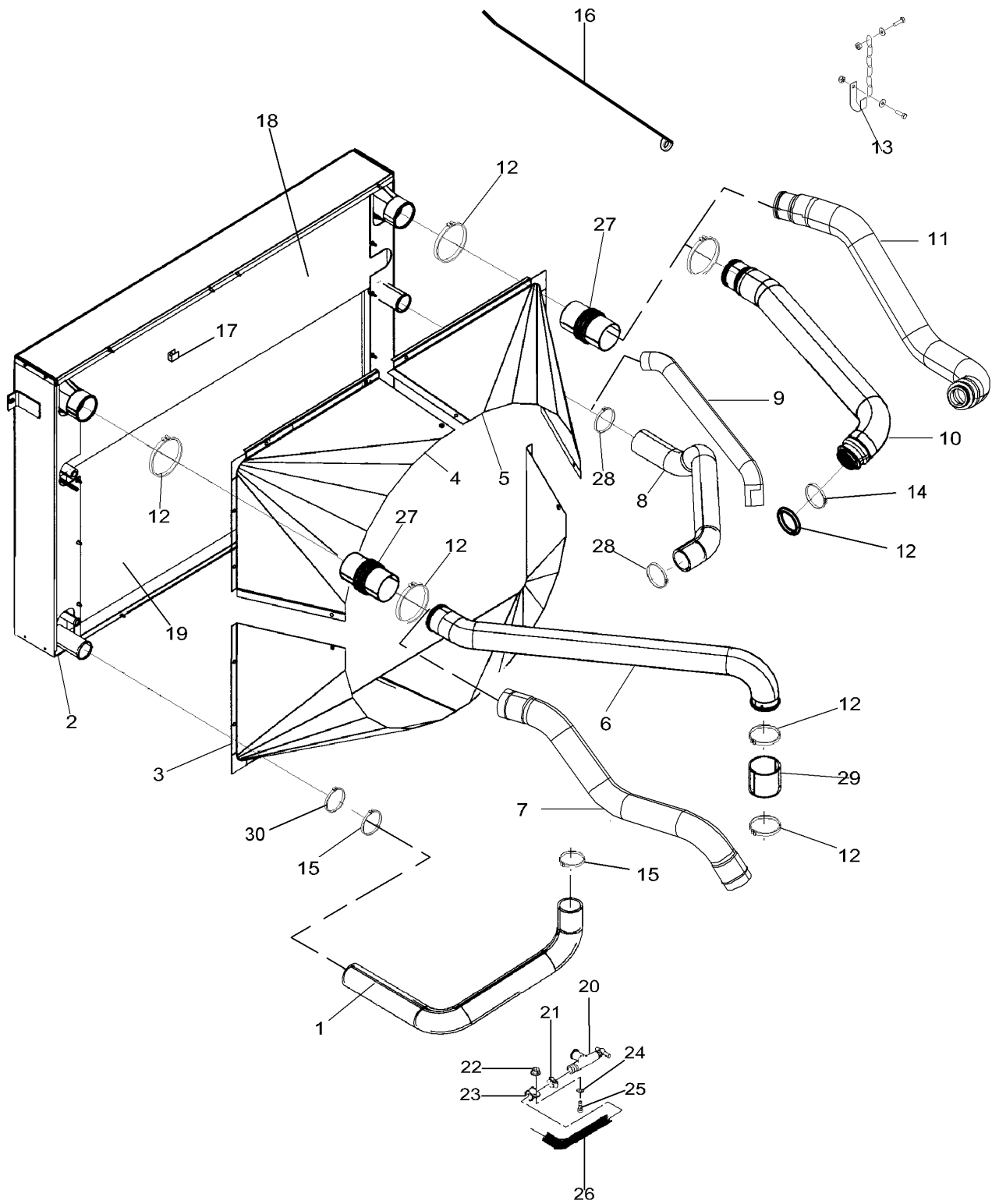
1 D28787490	➔ 61489	1 BRACKET	SUPPORT FIXATION	HALTEAM	SOPORTE
1 D28273841	➔ 61490	1 BRACKET	SUPPORT FIXATION	HALTEAM	SOPORTE
2 D28770432		1 BEARING CARRIER	PALIER	LAGER GEHAEUSE	COJINETE APOYO
3 339581X1		2 BEAR. 6205 2RS	RLT 6205 2RS	LAGER 6205 2RS	RODA. 6205 2RS
4 1440476X1		1 CIRCLIP	CIRCLIP	SEEGERING	GRAPA CIRCULAR
5 D28770432		1 BEARING CARRIER	PALIER	LAGER GEHAEUSE	COJINETE APOYO
6 D28784196		1 BLADE	LAME	KLINGE	HOJA CORTANTE
7 D28787275	➔ 61489	1 BRACKET	SUPPORT FIXATION	HALTEAM	SOPORTE
7 D28273829	➔ 61490	1 BRACKET	SUPPORT FIXATION	HALTEAM	SOPORTE
8 D28785495		X SPACER	ENTRETOISE	ABSTANDSTUECK	DISCO ESPACIADOR
9 D28786813	[A]	1 BELT	COURROIE	RIEMEN	CORREA
10 D28782277		1 OIL COOLER	REFROIDISS HUILE	OELKUEHLER	REFRIG DE ACEIT
11 D45269900		4 CONNECTOR	BORNE.	DOPPELNIPPEL	CONECTOR
12 D20400439		16 WASHER	RONDELLE	SCHEIBE	ARANDELA
13 339745X1	M8 X 45	1 HEX. SOCK. SCREW	VIS TETE HEX	ZYLINDERSCHRAUBE	TORN.CAB.HUECA
14 D45739700		1 SUPPORT	SUPPORT	TRAGER	SOPORTE
15 D28784251		1 PLATE	PLAQUE	PLATTE	PLATO
16 D45254500		3 UNION	RACCORD	VERSCHRAUBUNG	RACOR
17 D45264300		3 CONNECTORS	CONNECTEUR	KABELVERBINDER	CONECTADORES
18 D28786523		1 SUPPORT	SUPPORT	TRAGER	SOPORTE
19 D28784240		1 REINFORCEMENT	RENFORT	VERSTAERKUNG	REFUERZO
20 D20400506		1 WASHER	RONDELLE	SCHEIBE	ARANDELA
21 D28781548		2 SUPPORT	SUPPORT	TRAGER	SOPORTE
22 D28786212	➔ 61489	1 ROD	TRINGLE	STANGE	VARILLA
22 D28273838	➔ 61490	1 ROD	TRINGLE	STANGE	VARILLA
23 D28786118		1 PEDAL	PEDALE	PEDAL	PEDAL
24 1440394X1	⊙ 4 X 30	1 PIN	GOUPILLE	STIFT	PASADOR
25 D41404200		6 SPLIT PIN	GOUPILLE FENDUE	SPALTBOLZEN	PASADOR HENDIDO
26 D45056700		2 GAS STRUT	VERIN AMORTISSEU	GASZYLINDER	CILINDRO GAS
27 D44740600	◀ 25 M	X STRIP	RUBAN	STREIFEN	TIRA
28 D28784065		1 CONDENSER	CONDENSEUR	VERDICHTER	CONDENSADOR.
29 D28784082		2 NUT	ECROU	MUTTER	TUERCA
30 D28784198		2 FITTING	MONTAGE	ANSCHL.VERSCHRBG	ACCESORIO.
31 339123X1	M8 X 20	4 HEX. SOCK. SCREW	VIS TETE HEX	ZYLINDERSCHRAUBE	TORN.CAB.HUECA
32 D20400506		4 WASHER	RONDELLE	SCHEIBE	ARANDELA
33 394367X1	M8	4 NUT	ECROU	MUTTER	TUERCA
34 D45251500		4 UNION	RACCORD	VERSCHRAUBUNG	RACOR
35 D45264300		2 CONNECTORS	CONNECTEUR	KABELVERBINDER	CONECTADORES
36 D28786635		1 PLATE	PLAQUE	PLATTE	PLATO
37 D28786228		1 BRACKET	SUPPORT FIXATION	HALTEAM	SOPORTE
38 D28786834	➔ 61489	1 SUPPORT	SUPPORT	TRAGER	SOPORTE
38 D28273834	➔ 61490	1 BRACKET	SUPPORT FIXATION	HALTEAM	SOPORTE
39 D28788536		1 CLEVIS PIN	AXE	SPLINTBOLZEN	BULON CILINDRICO
40 D28786226		1 PULLEY	POULIE	RIEMENSCHLEIBE	POLEA
41 D41717100	➔ 61489	1 BEARING	COUSSINET	LAGER	COJINETE
41 D41717101	➔ 61490	1 BEARING	COUSSINET	LAGER	COJINETE
42 D43102300		1 KEY	CLAVETTE	STELLKEIL	CHAVETA
43 D41713600	➔ 61389	1 BEARING	COUSSINET	LAGER	COJINETE
43 D41713601	➔ 61490	1 BEARING	COUSSINET	LAGER	COJINETE
44 D28781721		1 RING	ANNEAU	RING.	ANILLO
45 D28786838		2 PLATE	PLAQUE	PLATTE	PLATO
46 339034X1	M16	1 NUT	ECROU	MUTTER	TUERCA
47 D20400459		1 WASHER	RONDELLE	SCHEIBE	ARANDELA
48 D28786766	➔ 614889	1 ARM	BRAS	SCHARHEBEL	BRAZO
48 D28273882	➔ 61490	1 ARM	BRAS	SCHARHEBEL	BRAZO
49 D42501400		1 CIRCLIP	CIRCLIP	SEEGERING	GRAPA CIRCULAR
50 D28380003		1 RING	ANNEAU	RING.	ANILLO
51 339126X1		1 CIRCLIP	CIRCLIP	SEEGERING	GRAPA CIRCULAR
52 D28785815		1 ROLLER	GALET	ROLLE	RODILLO
53 339581X1		1 BEAR. 6205 2RS	RLT 6205 2RS	LAGER 6205 2RS	RODA. 6205 2RS
54 339126X1		1 CIRCLIP	CIRCLIP	SEEGERING	GRAPA CIRCULAR
55 D28760328		1 BOLT	BOLON	BOLZEN	BULON
56 D28781549		1 LOCK	SERRURE	SCHLOSS	CERRADURA
57 D28781550		1 LOCK	SERRURE	SCHLOSS	CERRADURA
58 D28761862		1 TENSION SPRING	RESSORT TRACTION	ZUGFEDER	MUELLE TENSION
59 1442034X1	⊙ 4 X 20	1 SPLIT PIN	GOUPILLE FENDUE	SPALTBOLZEN	PASADOR HENDIDO
60 D28787316	➔ 61489	1 SUPPORT	SUPPORT	TRAGER	SOPORTE
60 D28273858	➔ 61490	1 SUPPORT	SUPPORT	TRAGER	SOPORTE
61 D28787318	➔ 61489	1 SUPPORT	SUPPORT	TRAGER	SOPORTE
61 D28273870	➔ 61490	1 SUPPORT	SUPPORT	TRAGER	SOPORTE
62 D28761057		1 SPRING	RESSORT	FEDER	MUELLE
63 D45070017		1 FILTER	FILTRE	FILTER	FILTRO
64 D45070023	HIGH PRESSURE	1 SWITCH	INTERRUPTEUR	SCHALTER	INTERRUPTOR
65 D45080063	LOW PRESSURE	1 PRESSURE SWITCH	MANO CONTACT	DRUCKSCHALTER	INTERRUP PRESION
66 D28784180	1	1 END	BOUT	LENKERENDSTUECK	EXTREMO
67 D41028300		1 BUSH	BAGUE	RING	CASQUILLO
68 D28786878		1 SPACER	ENTRETOISE	ABSTANDSTUECK	DISCO ESPACIADOR
69 D44735900	0,3m	1 SEAL SECTION	PROFIL ETANCH	DICHTPROFIL	PARTE DE RETEN
69		1 NOT USED	NON UTILISE	NICHT VERWENDET	NO SE USA
70 D44744800	0,20m	1 PROFILE	PROFIL	PROFIL	NO SE USA
70		1 NOT USED	NON UTILISE	NICHT VERWENDET	NO SE USA
71 D45130030		2 HYDR. HOSE	FLEXIBLE	HYDR. SCHLAUCH	TUBO HIDRAULICO



D-AZZA-007-F

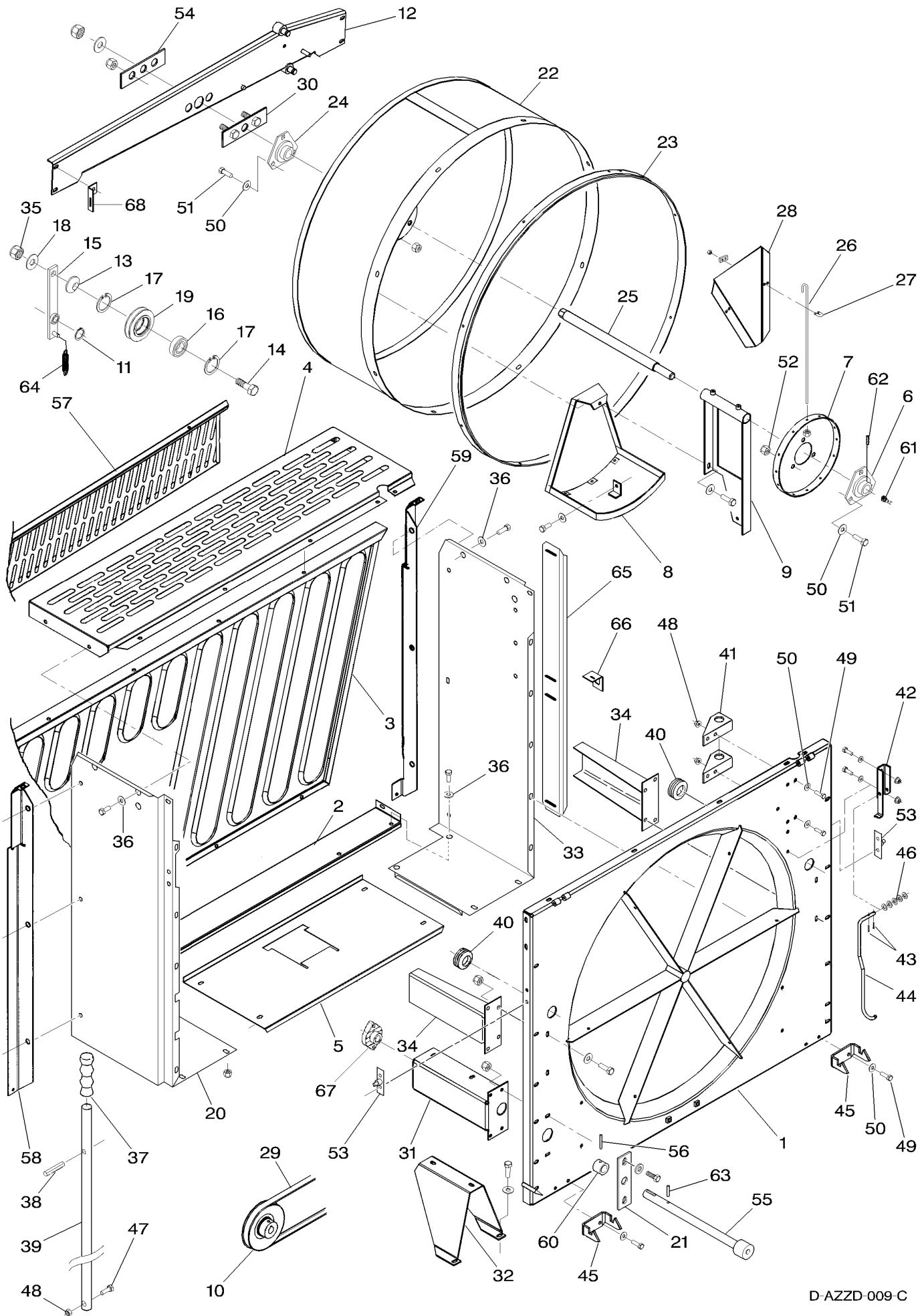
72 D45130037			2 HYDRAULIC HOSE	DURITE HYDRAULIC	HYDRAUL.SCHLAUCH	TUBO HYDRAULICO
73*D41713602	43 ➡	61490	1 ROLLER	GALET	ROLLE	RODILLO
74*D41713603	43 ➡	61490	1 GASKET	JOINT	FLACHDICHTUNG	JUNTA PLANA

[A] AVAILABLE IN LENGHT OF 1,5 M - TO BE ADAPTED ACCORDING TO MACHINE TYPE
LONGUEUR 1,5 M DOIT ETRE ADAPTEE SUIVANT LE TYPE DE MACHINE
IN LAENGEN VON 1,5M LIEFERBAR. AN MASCHINETY P ANZUPASSEN
LARGO 1,5M - DEBE ADAPTAR CON EL TYPO DE LA MAQUINA



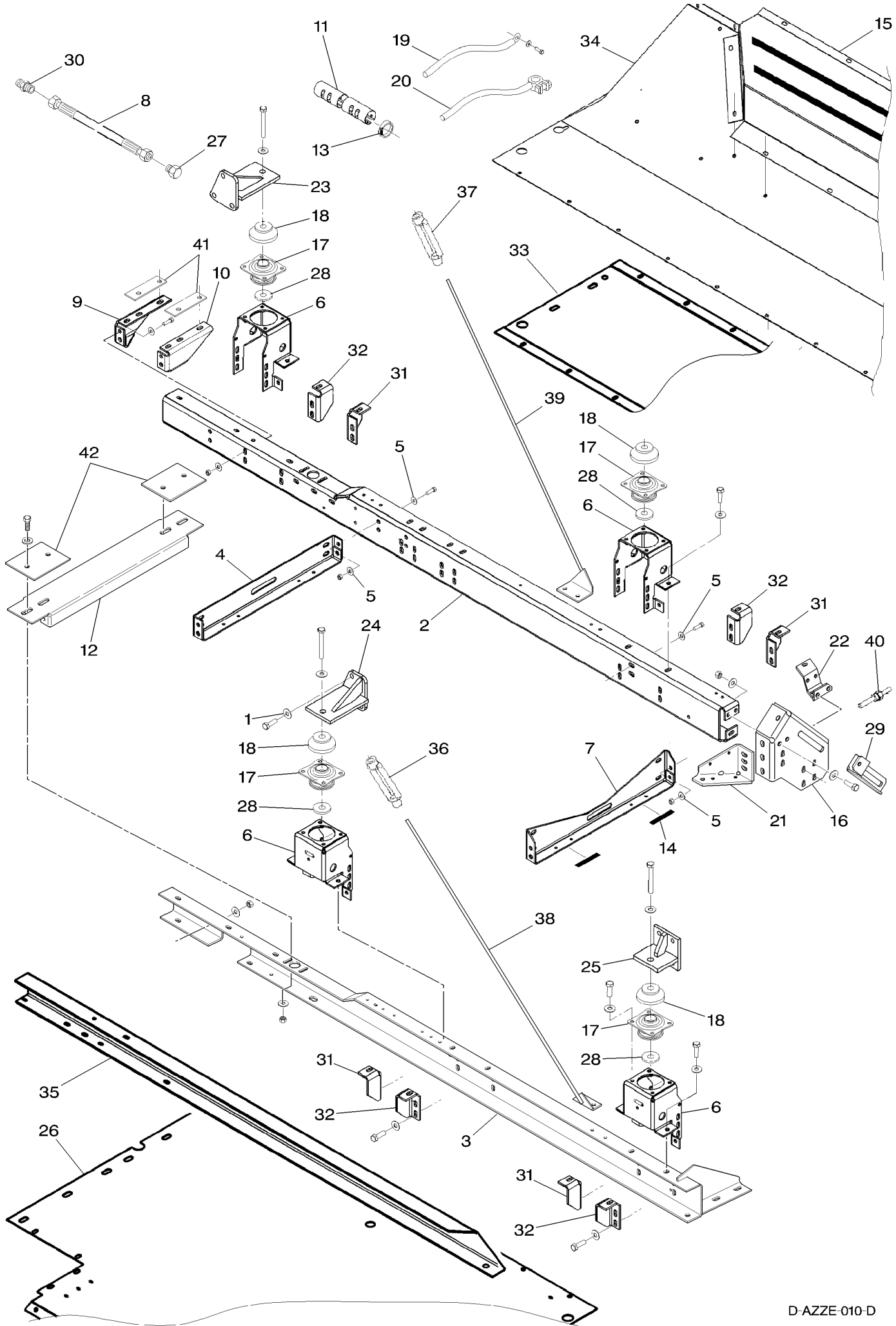
D-AZZB-008-G

1	D28787132		1	TUBE	TUBE	ROHR	TUBO.
2	D28787273	➔ 61489	1	COOLER	REFROIDISSEUR	KUEHLAGGREGAT	ENFRIADOR
2	D28787491	➔ 61490	1	COOLER	REFROIDISSEUR	KUEHLAGGREGAT	ENFRIADOR
3	D28787269	➔ 61489	1	GUARD	GARDE	SCHUTZVORR	DEFENSA
3	D28273823	➔ 61490	1	GUARD	GARDE	SCHUTZVORR	DEFENSA
4	D28787301	➔ 61489	1	GUARD	GARDE	SCHUTZVORR	DEFENSA
4	D28273822	➔ 61490	1	GUARD	GARDE	SCHUTZVORR	DEFENSA
5	D28787268	➔ 61489	1	GUARD	GARDE	SCHUTZVORR	DEFENSA
5	D28273821	➔ 61490	1	GUARD	GARDE	SCHUTZVORR	DEFENSA
6	D28787145	➔ 61489	1	TUBE	TUBE	ROHR	TUBO.
7	D28273863	➔ 61490	1	TUBE	TUBE	ROHR	TUBO.
8	D28787129	➔ 61489	1	TUBE	TUBE	ROHR	TUBO.
9	D28273867	➔ 61490	1	TUBE	TUBE	ROHR	TUBO.
10	D28787131	➔ 61489	1	TUBE	TUBE	ROHR	TUBO.
11	D28273865	➔ 61490	1	TUBE	TUBE	ROHR	TUBO.
12	D46440053		6	CLAMP	COLLIER	HALTESCHELLE	ABRAZADERA
13	D28788720		1	STRAP	PATTE	LASCHE	FAJA
14	D45482200		1	O RING	JOINT TORIQUE	O-RING	JUNTA TOROIDAL
15	D45731300	➔ 61489	2	CLAMP	COLLIER	HALTESCHELLE	ABRAZADERA
16	D28788453		1	STAY	HAUBAN	STREBE	TIRANTE
17	D28788454		1	RETAINER	RETENEUR	HALTERING	RETENEDOR
18	D28787271	2 ➔ 61489	1	INTERCOOLER	RADIATEUR MULT	ZWISCHENKUEHLER	ENFRIADOR INTERM
18*	D28273901	2 ➔ 61490	1	INTERCOOLER	RADIATEUR MULT	ZWISCHENKUEHLER	ENFRIADOR INTERM
19	D28787272	2 ➔ 61489	1	WATER COOLER	RADIATEUR EAU	WASSERKUEHLER	REFRIG DE AGUA
19*	D28273902	2 ➔ 61490	1	WATER COOLER	RADIATEUR EAU	WASSERKUEHLER	REFRIG DE AGUA
20	D45718800		1	COCK	ROBINET	ABSPERRHAHN	AGUJA INDICADORA
21	3000483X1	⊙ 16-22	1	HOSE CLIP	COLLIER DURITE	SCHLAUCHBINDER	ABRAZADERA TUBO
22	1441462X1	M6	1	LOCKNUT	ECROU FREIN	SICHERUNGSMUTTER	CONTRATUERCA
23	D45730400		1	CLAMP	COLLIER	HALTESCHELLE	ABRAZADERA
24	391038X1		1	FLAT WASHER	RONDELLE PLATE	UNTERLEGSCHIEBEN	ARANDELA PLANA
25	339560X1	M6 X 16	1	HEX. SOCK. SCREW	VIS TETE HEX	ZYLINDERSCHRAUBE	TORN.CAB.HUECA
26	D28782930		1	HOSE	DURITE	SCHLAUCH	TUBO DE GOMA
27	D46485700		2	SLEEVE	MANCHON	HUELSE	MANGUITO
28	1440860X1	⊙ 60-80	2	CLAMP	COLLIER	HALTESCHELLE	ABRAZADERA
29	D46484301		1	HOSE	DURITE	SCHLAUCH	TUBO DE GOMA
30*	D45734200	➔ 61490	1	HOSE CLIP	COLLIER DURITE	SCHLAUCHBINDER	ABRAZADERA TUBO



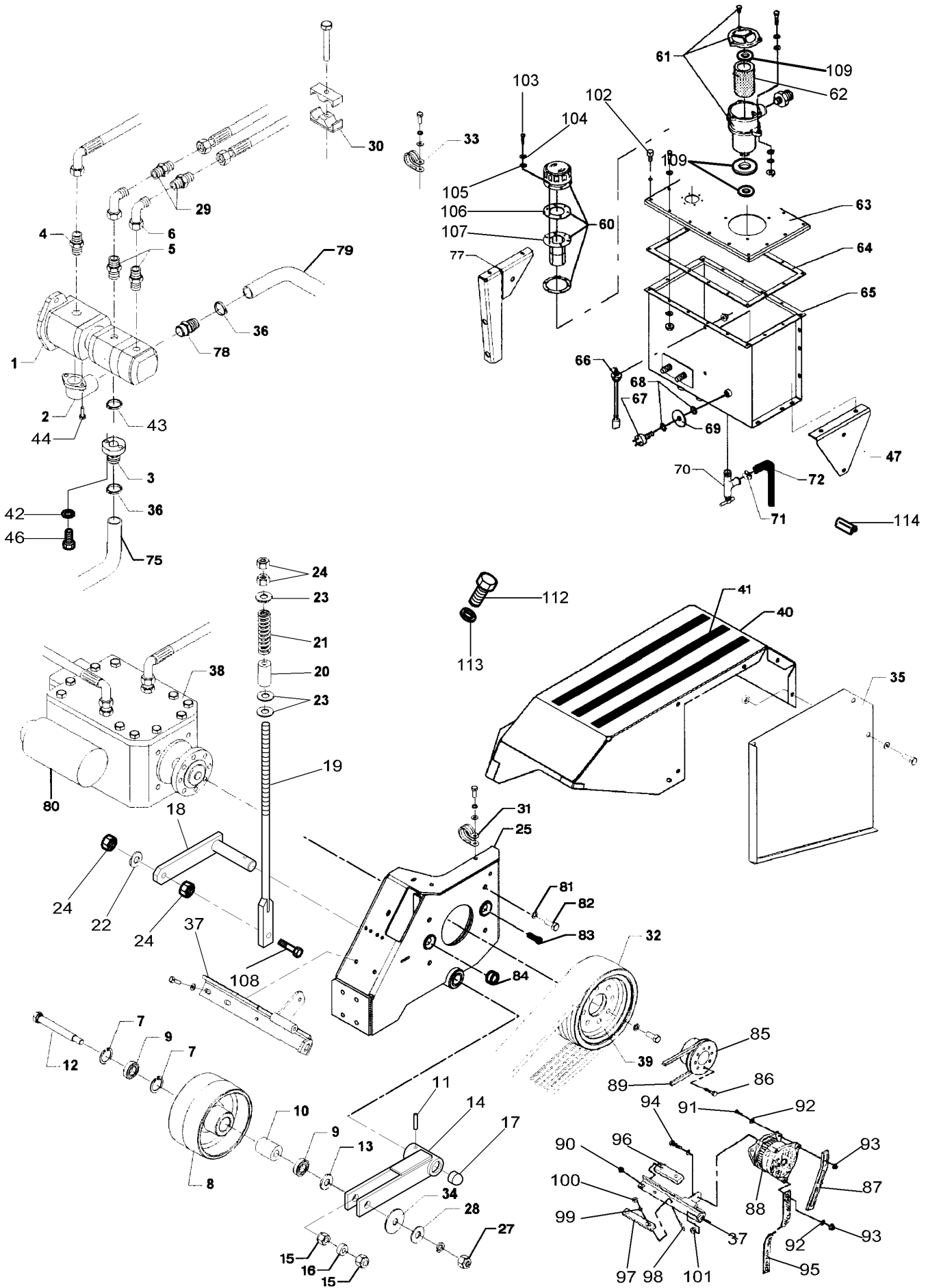
D-AZZD-009-C

1	D28786209		1	PLATE	PLAQUE	PLATTE	PLATO
2	D28787304		1	BASE PLATE	PLAQUE DE BASE	GRUNDPLATTE	PLATO BASE
3	D28184493		1	GRILLE	GRILLE	GRILL	REJILLA
3*	D58187024	➔ 61490	1	GRILLE	GRILLE	GRILL	REJILLA
4	D28186752		1	SHELF	ETAGERE	REGAL	DEPOSITO SEDIMEN
5	D28784231		1	PLATE	PLAQUE	PLATTE	PLATO
6	D41713600		1	BEARING	COUSSINET	LAGER	COJINETE
7	D28780096		1	HUB	MOYEU	NABE	CUBO
8	D28781043		1	PLATE	PLAQUE	PLATTE	PLATO
9	D28781045		1	BRACKET	SUPPORT FIXATION	HALTEAMM	SOPORTE
10	D28780114		1	PULLEY	POULIE	RIEMENSCHIEBE	POLEA
11	D42501400		1	CIRCLIP	CIRCLIP	SEEGERING	GRAPA CIRCULAR
12	D28785952		1	SUPPORT	SUPPORT	TRAGER	SOPORTE
13	D28380003		1	RING	ANNEAU	RING.	ANILLO
14	D28760328		1	BOLT	BOLON	BOLZEN	BULON
15	D28786092		1	ARM	BRAS	SCHARHEBEL	BRAZO
16	339581X1		1	BEAR. 6205 2RS	RLT 6205 2RS	LAGER 6205 2RS	RODA. 6205 2RS
17	339126X1		2	CIRCLIP	CIRCLIP	SEEGERING	GRAPA CIRCULAR
18	D20400459		1	WASHER	RONDELLE	SCHIEBE	ARANDELA
19	D28785815		1	ROLLER	GALET	ROLLE	RODILLO
20	D28787302	◀	1	PLATE	PLAQUE	PLATTE	PLATO
21	D28781198		1	PLATE	PLAQUE	PLATTE	PLATO
22	D28780984		1	STRAINER	CREPINE	SAUGKORB	ALCACHOFA
23	D28781010		1	SEAL	JOINT ETANCHEITE	DICHRING	JUNTA REDONDA
24	D41713600		1	BEARING	COUSSINET	LAGER	COJINETE
25	D28788537		1	SHAFT	ARBRE	WELLE	ARBOL
26	D28780094		12	SPOKE	RAYON	SPEICHE	RAYO
27	D43405900		2	BRACKET	SUPPORT FIXATION	HALTEAMM	SOPORTE
28	D28781763		1	BLADE	LAME	KLINGE	HOJA CORTANTE
29	D41990019		1	V BELT	COURROIE TRAPEZ	KEILRIEMEN	CORREA EN V
30	D28780954		1	PLATE	PLAQUE	PLATTE	PLATO
31	D28781155		1	BEARING CARRIER	PALIER	LAGER GEHAEUSE	COJINETE APOYO
32	D28786227		1	REINFORCEMENT	RENFORT	VERSTAERKUNG	REFUERZO
33	D28787303	▶	1	PLATE	PLAQUE	PLATTE	PLATO
34	D28781157		2	BRACKET	SUPPORT FIXATION	HALTEAMM	SOPORTE
35	339034X1	M16	1	NUT	ECROU	MUTTER	TUERCA
36	D20400411		X	WASHER	RONDELLE	SCHIEBE	ARANDELA
37	D43384000		1	LEVER	LEVIER	HEBEL	PALANCA
38	D42609300		1	PIN	GOUPILLE	STIFT	PASADOR
39	D28781146		1	LEVER	LEVIER	HEBEL	PALANCA
40	D44732500		2	GROMMET	PASSE FIL	GUMMITUELLE	PASACABLE
41	D28781145		2	FITTING	MONTAGE	ANSCHL.VERSCHRIBG	ACCESORIO.
42	D28781762		1	SUPPORT	SUPPORT	TRAGER	SOPORTE
43	D41404200		1	SPLIT PIN	GOUPILLE FENDUE	SPALTBOLZEN	PASADOR HENDIDO
44	D28781761		1	SUPPORT	SUPPORT	TRAGER	SOPORTE
45	D28788532		2	HOOK	CROCHET	HAKEN	GANCHO
46	D20400413		6	WASHER	RONDELLE	SCHIEBE	ARANDELA
47	339009X1	M8 X 35	1	HEX. SOCK. SCREW	VIS TETE HEX	ZYLINDERSCHRAUBE	TORN.CAB.HUECA
48	394367X1	M8	5	NUT	ECROU	MUTTER	TUERCA
49	339761X1	M8 X 25	8	HEX. SOCK. SCREW	VIS TETE HEX	ZYLINDERSCHRAUBE	TORN.CAB.HUECA
50	D20400506		X	WASHER	RONDELLE	SCHIEBE	ARANDELA
51	339123X1	M8 X 20	6	HEX. SOCK. SCREW	VIS TETE HEX	ZYLINDERSCHRAUBE	TORN.CAB.HUECA
52	394367X1	M8	2	NUT	ECROU	MUTTER	TUERCA
53	D28786522		2	SUPPORT	SUPPORT	TRAGER	SOPORTE
54	D28780966		1	PLATE	PLAQUE	PLATTE	PLATO
55	D28781716		1	SHAFT	ARBRE	WELLE	ARBOL
56	339071X1	⊙ 6 X 30	1	PIN	GOUPILLE	STIFT	PASADOR
57	D58186751		1	SHIELD	TOLE	SCHILD	BLINDAJE
58	D28186753		1	STIFFENER	RAIDISSEUR	VERSTEIFUNG	ATIESADOR
59	D28186754		1	STIFFENER	RAIDISSEUR	VERSTEIFUNG	ATIESADOR
60	D28781695		1	RING	ANNEAU	RING.	ANILLO
61	D28781721		1	RING	ANNEAU	RING.	ANILLO
62	D40632000		1	STUD	GOUJON	STEBBOLZEN	ESPARRAGO ROSCA.
63	1440911X1	⊙ 3,5 X 30	1	PIN	GOUPILLE	STIFT	PASADOR
64	D28761057		2	SPRING	RESSORT	FEDER	MUELLE
65	D28186796		1	STRUT	JAMBE DE FORCE	VERSTREBUNG	CODAL
66	D28787328		1	BRACKET	SUPPORT FIXATION	HALTEAMM	SOPORTE
67	D41717100		1	BEARING	COUSSINET	LAGER	COJINETE
68	D28781534		1	SUPPORT	SUPPORT	TRAGER	SOPORTE



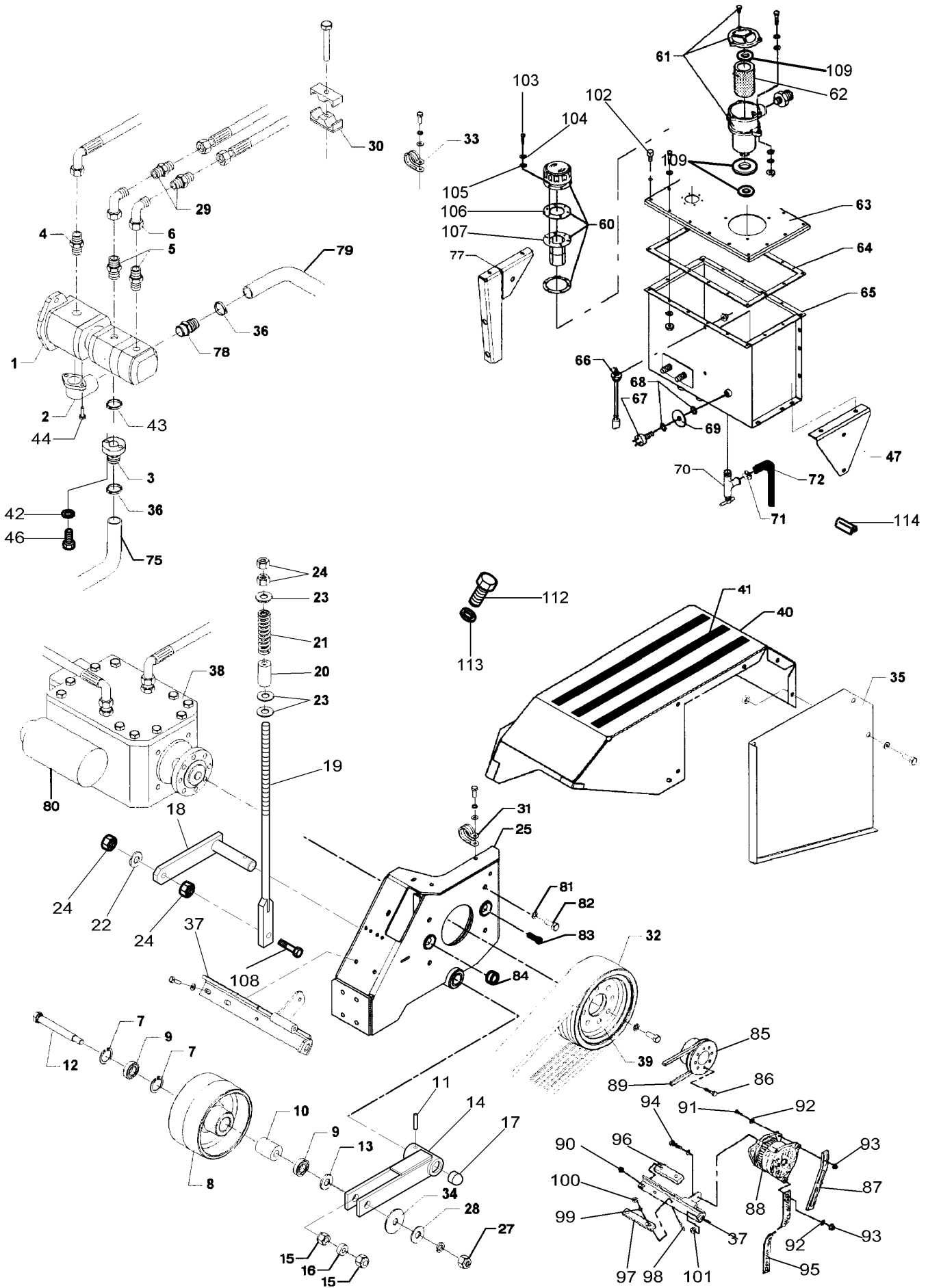
D-AZZE-010-D

1	D20400426		X	WASHER	RONDELLE	SCHEIBE	ARANDELA
2	D28785606	▶	1	MEMBER	MEMBRE	VERSTREBGS-BLECH	COMPONENTE
3	D28787478	◀	1	MEMBER	MEMBRE	VERSTREBGS-BLECH	COMPONENTE
4	D28784172		1	CROSSMEMBER	POUTRE TRANSVERS	QUERSTREBE	TRAVESANO
5	D20400473		X	WASHER	RONDELLE	SCHEIBE	ARANDELA
6	D28784171		4	SUPPORT	SUPPORT	TRAGER	SOPORTE
7	D28785043		1	STAY	HAUBAN	STREBE	TIRANTE
8	D45130033		1	HYDR. HOSE	FLEXIBLE	HYDR. SCHLAUCH	TUBO HIDRAULICO
9	D28784252	▶	1	SUPPORT	SUPPORT	TRAGER	SOPORTE
10	D28784253	◀	1	SUPPORT	SUPPORT	TRAGER	SOPORTE
11	D28280782		1	GUARD	GARDE	SCHUTZVORR	DEFENSA
12	D28787270		1	BRACKET	SUPPORT FIXATION	HALTEAM	SOPORTE
13	338617X1	⊙ 40-60	1	HOSE CLIP	COLLIER DURITE	SCHLAUCHBINDER	ABRAZADERA TUBO
14	D28782178	◀▶ 5 M	X	SEAL SECTION	PROFIL ETANCH	DICHTPROFIL	PARTE DE RETEN
15	D28181837		1	STEP	MARCHEPIED	STUFEN	APOYAPIES
16	D28786869		1	BRACKET	SUPPORT FIXATION	HALTEAM	SOPORTE
17	D46406600		4	DAMPER	AMORTISSEUR	DAEMPFER	VALV.REGULADORA
18	D28781296		4	SPACER	ENTRETOISE	ABSTANDSTUECK	DISCO ESPACIADOR
19	D28781928		1	HARNES	FAISCEAU	KABELBAUM	MAZO CABLES
20	D28785949		1	CABLE	CABLE	KABEL	CABLE
21	D28786567		1	PLATE	PLAQUE	PLATTE	PLATO
22	D28786592		1	SUPPORT	SUPPORT	TRAGER	SOPORTE
23	D28785210		1	SUSPENSION	SUSPENSION	AUFHAENGUNG.	SUSPENSION
24	D28785210		1	SUSPENSION	SUSPENSION	AUFHAENGUNG.	SUSPENSION
25	D28770293		1	SUSPENSION	SUSPENSION	AUFHAENGUNG.	SUSPENSION
26	D28786464		1	ROOF	TOIT	DACH	TECHO
27	D28781170		1	PLUG	BOUCHON	STOPFEN	TAPON
28	D28781297		4	SPACER	ENTRETOISE	ABSTANDSTUECK	DISCO ESPACIADOR
29	D28786870		1	ACTUATOR	DECLENCHEUR	AKTOR	ACTUADOR
30	D45251100		1	UNION	RACCORD	VERSCHRAUBUNG	RACOR
31	D28785166		4	PLATE	PLAQUE	PLATTE	PLATO
32	D28785167		4	PLATE	PLAQUE	PLATTE	PLATO
33	D28185279		1	ROOF	TOIT	DACH	TECHO
34	D28181850		1	ROOF	TOIT	DACH	TECHO
35	D28786491		1	SUPPORT	SUPPORT	TRAGER	SOPORTE
36	D41035100		1	TENSIONER	TENDEUR	SPANNER	SENSOR
37	D41035100		1	TENSIONER	TENDEUR	SPANNER	SENSOR
38	D28787321	➔ 61489	1	STEM	TIGE	MESSERSTIEL	VASTAGO
38	D28273861	➔ 61490	1	ROD	TRINGLE	STANGE	VARILLA
39	D28787320	➔ 61489	1	STEM	TIGE	MESSERSTIEL	VASTAGO
39	D28273871	➔ 61490	1	ROD	TRINGLE	STANGE	VARILLA
40	D28786881		1	PIVOT	PIVOT	DREHZAPFEN.	PIVOTE
41	D28781111		2	SHIM	CALE REGLAGE	AUSGLEICHSCHIEBE	CALCE
42	D28788343		2	PLATE	PLAQUE	PLATTE	PLATO



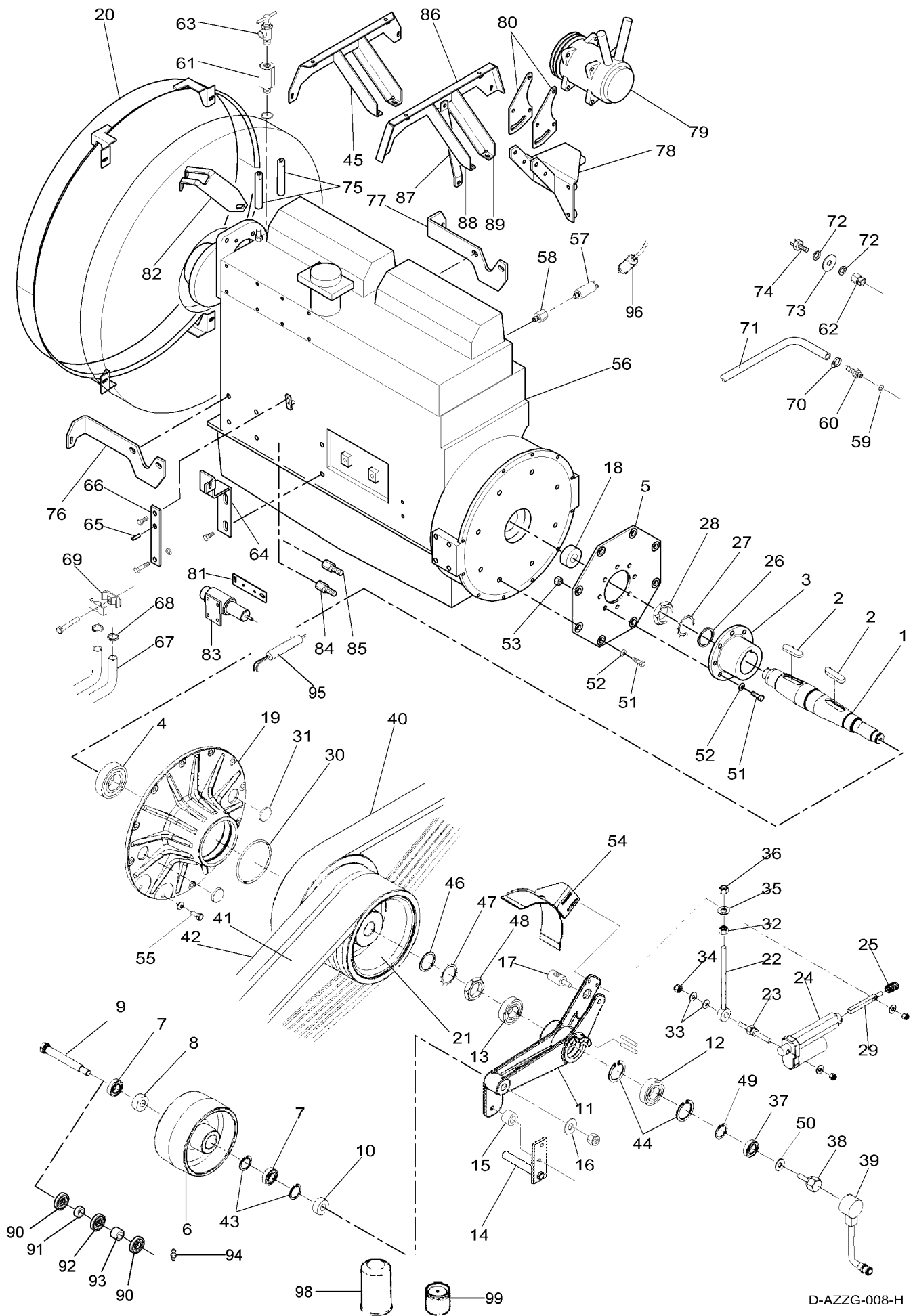
D-AZYF-004-H

1	D45166900		1	PUMP	POMPE	PUMPE	BOMBA
2	D45239900		1	CONNECTOR	BORNE.	DOPPELNIPPEL	CONECTOR
3	D28786485		2	CONNECTOR	BORNE.	DOPPELNIPPEL	CONECTOR
4	D45251500		1	UNION	RACCORD	VERSCHRAUBUNG	RACOR
5	D45250700		2	UNION	RACCORD	VERSCHRAUBUNG	RACOR
6	D45264100		1	UNION	RACCORD	VERSCHRAUBUNG	RACOR
7	339199X1		2	CIRCLIP	CIRCLIP	SEEGERING	GRAPA CIRCULAR
8	D28780900		1	PULLEY	POULIE	RIEMENSCHLEIBE	POLEA
9	SKF62042RS		2	BEAR. 6204 2RS	RLT 6204 2RS	LAGER 6204 2RS	RODA. 6204 2RS
10	D28780007		1	RING	ANNEAU	RING.	ANILLO
11	D42621900		1	PIN	GOUPILLE	STIFT	PASADOR
12	D28780008		1	BOLT	BOULON	BOLZEN	BULON
13	D28380003		1	RING	ANNEAU	RING.	ANILLO
14	D28782527		1	ARM	BRAS	SCHARHEBEL	BRAZO
15	D28780777		2	ECCENTRIC	EXCENTRIQUE	EXZENTER	ECCENTRICA
16	D28780776		1	SPACER	ENTRETOISE	ABSTANDSTUECK	DISCO ESPACIADOR
17	D45744200		1	FERRULE	VIROLE	ZWINGE	MANGTO METALICO
18	D28787403		1	ARM	BRAS	SCHARHEBEL	BRAZO
19	D28780195		1	SPINDLE	FUSEE	DREHZAPFEN	PIVOTE DE VOLTEO
20	D28787998		1	PIPE	TUYAU	TUBE	TUBO
21	D28210881		1	COMP.SPRING	RESSORT DE COMPR	DRUCKFEDER	RESORTE DE COMP.
22	D41100900		1	SPRING WASHER	RONDELLE ELASTIQ	ARANDELA ELASTI.	ARANDELA ELASTI.
23	D20400423		5	FLAT WASHER	RONDELLE PLATE	UNTERLEGSCHLEIBEN	ARANDELA PLANA
24	3009695X1	M12	4	NUT	ECROU	MUTTER	TUERCA
25	D28787247		1	SUPPORT	SUPPORT	TRAGER	SOPORTE
27	1442739X1	M16	X	LOCKNUT	ECROU FREIN	SICHERUNGSMUTTER	CONTRATUERCA
28	D20400459		1	WASHER	RONDELLE	SCHLEIBE	ARANDELA
29	D45272200		1	UNION	RACCORD	VERSCHRAUBUNG	RACOR
30	D45736700		2	SUPPORT	SUPPORT	TRAGER	SOPORTE
31	D28250656		2	ARM	BRAS	SCHARHEBEL	BRAZO
32	D41990045	👁 10-6 No 40	1	BELT	COURROIE	RIEMEN	CORREA
33	D45730400		2	CLAMP	COLLIER	HALTESCHELLE	ABRAZADERA
34	D20400437		1	WASHER	RONDELLE	SCHLEIBE	ARANDELA
35	D28787079		1	PLATE	PLAQUE	PLATTE	PLATO
36	338616X1	⊘ 32-50	2	HOSE CLIP	COLLIER DURITE	SCHLAUCHBINDER	ABRAZADERA TUBO
37	D28781312		1	BRACKET	SUPPORT FIXATION	HALTEAM	SOPORTE
38	D45169900		1	PUMP	POMPE	PUMPE	BOMBA
39	D28780058		1	PULLEY	POULIE	RIEMENSCHLEIBE	POLEA
40	D28787077		1	COVER	COUVERCLE	ABDECKUNG.	CUBIERTA
41	D44740800	◀▶ 18 M	X	STRIP	RUBAN	STREIFEN	TIRA
42	D41102100		2	WASHER	RONDELLE	SCHLEIBE	ARANDELA
43	D45463600		1	O RING	JOINT TORIQUE	O-RING	JUNTA TOROIDAL
44	D40692500		2	SCREW	VIS	SCHRAUBE	TORNILLO
46	D40690400		2	SCREW	VIS	SCHRAUBE	TORNILLO
47	D28786783		1	SUPPORT	SUPPORT	TRAGER	SOPORTE
60	D45103000		1	FILTER	FILTRE	FILTER	FILTRO
61	D45165800		1	RETURN FL.FILTER	FILTRE DE RETOUR	RUECKLAUFFILTER	RETURN FL.FILTER
62	D45165900		1	FILTER	FILTRE	FILTER	FILTRO
63	D28781818		1	PLATE	PLAQUE	PLATTE	PLATO
64	D28781819		1	KIT, SEAL	JEU ETANCHEITE	DICHRINGSATZ	RETENES JUEGO
65	D28787072		1	BOTTOM	FOND	BODEN	FONDO
66	D45080021		1	DIPSTICK	JAUGE	MESSTAB	VARILLA ACEITE
67	D44900617		1	SENSOR	DETECTEUR	SENSOR	DETECTOR
68	D45201600		2	PACKING	GARNITURE ETANCH	PACKUNG	EMPAQUETADURA
69	D28780947		1	WASHER	RONDELLE	SCHLEIBE	ARANDELA
70	D46422300		1	COCK	ROBINET	ABSPERRHAHN	AGUJA INDICADORA
71	3000483X1	⊘ 16-22	1	HOSE CLIP	COLLIER DURITE	SCHLAUCHBINDER	ABRAZADERA TUBO
72	D28782176	◀▶ 6 M	X	HOSE	DURITE	SCHLAUCH	TUBO DE GOMA
75	D28786449		1	SUCTION HOSE	TUYAU ASPIRATION	ANSAUGSCHLAUCH	TUBO SUCCION
77	D28786818		1	UNION	RACCORD	VERSCHRAUBUNG	RACOR
78*	D28885052		1	UNION	RACCORD	VERSCHRAUBUNG	RACOR
79	D28782310	⊘ 32 mm	1	HOSE	DURITE	SCHLAUCH	TUBO DE GOMA
80				NOT USED	NON UTILISE	NICHT VERWENDET	NO SE USA
81	D20400426		4	WASHER	RONDELLE	SCHLEIBE	ARANDELA
82	D40693800		4	SCREW	VIS	SCHRAUBE	TORNILLO
83	D40418500	M20 X 55	2	HEX. SOCK. SCREW	VIS TETE HEX	ZYLINDERSCHRAUBE	TORN.CAB.HUECA
84	D43367400		1	BUSH	BAGUE	RING	CASQUILLO
85	D28781123		1	PULLEY	POULIE	RIEMENSCHLEIBE	POLEA
86	339269X1	M10 X 100	8	HEX. SOCK. SCREW	VIS TETE HEX	ZYLINDERSCHRAUBE	TORN.CAB.HUECA
87	D28780603		1	TENSIONER	TENDEUR	SPANNER	TENSOR
88	D46446700		1	ALTERNATOR	ALTERNATEUR	WECHSELSTROMDYN.	ALTERNADOR
89	D41904200		1	BELT	COURROIE	RIEMEN	CORREA
90	D41092500		2	NUT	ECROU	MUTTER	TUERCA
91	339761X1	M8 X 25	2	HEX. SOCK. SCREW	VIS TETE HEX	ZYLINDERSCHRAUBE	TORN.CAB.HUECA
92	D20400506		3	WASHER	RONDELLE	SCHLEIBE	ARANDELA
93	394367X1	M8	3	NUT	ECROU	MUTTER	TUERCA
94	D40425100		1	SCREW	VIS	SCHRAUBE	TORNILLO
95	D28760642		1	EARTH STRAP	FIL DE MASSE	MASSELEITUNG	CABLE TIERRA
96	D28780002		1	FITTING	MONTAGE	ANSCHL.VERSCHRBG	ACCESORIO.
97	D28780001		1	FITTING	MONTAGE	ANSCHL.VERSCHRBG	ACCESORIO.
98	3009493X1	M10 X 30	1	HEX. SOCK. SCREW	VIS TETE HEX	ZYLINDERSCHRAUBE	TORN.CAB.HUECA
99	D20400471		1	WASHER	RONDELLE	SCHLEIBE	ARANDELA



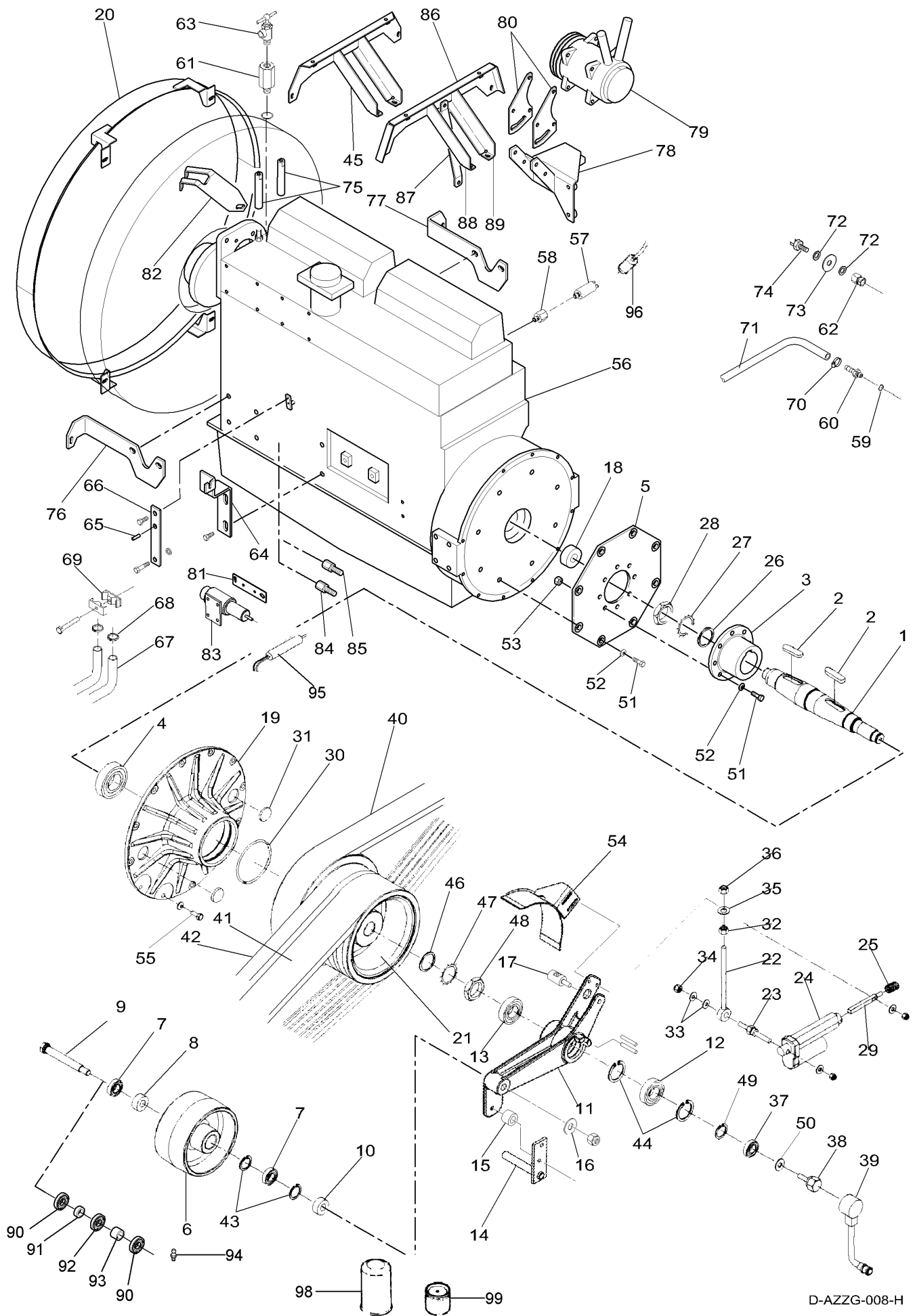
D-AZYF-004-H

100	1440329X1	M10	1	LOCKNUT	ECROU FREIN	SICHERUNGSMUTTER	CONTRATUERCA
101	394367X1	M8	X	NUT	ECROU	MUTTER	TUERCA
102	D46480900		1	BUFFER	BUTOIR	PUFFER	PARACHOQUES
103	D40749100		1	SCREW METRIC	VIS METRIQUE	SCHRAUBE METR	TORNILLO METRICO
104	D45715300		1	WASHER	RONDELLE	SCHEIBE	ARANDELA
105	D45715100		1	WASHER	RONDELLE	SCHEIBE	ARANDELA
106	D45145800		1	SEAL	JOINT ETANCHEITE	DICHTRING	JUNTA REDONDA
107	D45103100		1	GASKET	JOINT	FLACHDICHTUNG	JUNTA PLANA
108	3009509X1		1	HEX. SOCK. SCREW	VIS TETE HEX	ZYLINDERSCHRAUBE	TORN.CAB.HUECA
109	D45166800		1	KIT, SEAL	JEU ETANCHEITE	DICHTRINGSATZ	RETENES JUEGO
112	D40693800		4	SCREW	VIS	SCHRAUBE	TORNILLO
113	D20400426		4	WASHER	RONDELLE	SCHEIBE	ARANDELA
114*	D44744800	⊗ 0,15M	X	PROFILE	PROFIL	PROFIL	PERFIL



D-AZZG-008-H

1*	D28783912	➔	61718	1	SHAFT	ARBRE	WELLE	ARBOL
2	D43110600			1	KEY	CLAVETTE	STELLKEIL	CHAVETA
3	D28780615			1	HUB	MOYEU	NABE	CUBO
4	D41629600			1	BALL BEARING	ROULEMENT BILLES	KUGELLAGER	COJINETE DE BOLA
5*	D28788467			1	PLATE	PLAQUE	PLATTE	PLATO
6	D28780486			1	PULLEY	POULIE	RIEMENSCHLEIBE	POLEA
7	SKF62042RS			2	BEAR. 6204 2RS	RLT 6204 2RS	LAGER 6204 2RS	RODA. 6204 2RS
8	D28780007			1	RING	ANNEAU	RING.	ANILLO
9	D28780008			1	BOLT	BOULON	BOLZEN	BULON
10	D28380003			1	RING	ANNEAU	RING.	ANILLO
11	D28787005			1	LEVER	LEVIER	HEBEL	PALANCA
12	SKF62062RS			1	BEAR. 6206 2RS	RLT 6206 2RS	LAGER 6206 2RS	RODA. 6206 2RS
13	SKF62072RS			1	BEAR. 6207 2RS	RLT 6207 2RS	LAGER 6207 2RS	RODA. 6207 2RS
14	D28785519			1	GUARD	GARDE	SCHUTZVORR	DEFENSA
15	D28780224			1	SPACER	ENTRETOISE	ABSTANDSTUECK	DISCO ESPACIADOR
16	D20400517			1	SPACER	ENTRETOISE	ABSTANDSTUECK	DISCO ESPACIADOR
17	D28780250			1	PIN	GOUPILLE	STIFT	PASADOR
18*	D28780805			1	BUSH	BAGUE	RING	CASQUILLO
19	D28780061			1	BEARING CARRIER	PALIER	LAGER GEHAEUSE	COJINETE APOYO
20*	D28787143	⊙	865mm	1	FAN SHELL	BUSE VENTILATEUR	LUEFTERTUNNEL	CORAZA VENTILAD
20*	D28787501	➔	61490	1	FAN SHELL	BUSE VENTILATEUR	LUEFTERTUNNEL	CORAZA VENTILAD
21	D28785025			1	PULLEY	POULIE	RIEMENSCHLEIBE	POLEA
22	D28780843			1	BOLT	BOULON	BOLZEN	BULON
23	D28786881			1	PIVOT	PIVOT	DREHZAPFEN.	PIVOTE
24	D44900894			1	ACTUATOR	DECLENCHEUR	AKTOR	ACTUADOR
25	D28786568			1	SPRING	RESSORT	FEDER	MUELLE
26	D25700260			1	WASHER	RONDELLE	SCHEIBE	ARANDELA
27	D28780617			1	KIT, WASHER	JEU RONDELLES	SCHEIBENSATZ	JUEGO ARANDELAS
28	D25700322			1	NUT	ECROU	MUTTER	TUERCA
29	D28780247			1	BOLT	BOULON	BOLZEN	BULON
30	D45470800			1	O RING	JOINT TORIQUE	O-RING	JUNTA TOROIDAL
31	D45746700			2	PLUG	BOUCHON	STOPFEN	TAPON
32	3009695X1			1	NUT	ECROU	MUTTER	TUERCA
33	D20400459	M12		2	WASHER	RONDELLE	SCHEIBE	ARANDELA
34	1442739X1	M16		1	LOCKNUT	ECROU FREIN	SICHERUNGSMUTTER	CONTRATUERCA
35	D20400423			1	FLAT WASHER	RONDELLE PLATE	UNTERLEGSCHLEIBEN	ARANDELA PLANA
36	3009695X1	M12		1	NUT	ECROU	MUTTER	TUERCA
37	1440487X1			1	BEAR. 6203 2RS	RLT 6203 2RS	LAGER 6203 2RS	RODA. 6203 2RS
38	D28780516			1	INDUCTIVE SENSOR	CAPTEUR INDUCTIF	INDUKT EMPFANGER	CAPTADOR INDUCTI
39	D28780514			1	SENSOR	DETECTEUR	SENSOR	DETECTOR
40	D41990045			1	BELT	COURROIE	RIEMEN	CORREA
41	D41990064			1	BELT	COURROIE	RIEMEN	CORREA
42	D41978100			1	V BELT	COURROIE TRAPEZ	KEILRIEMEN	CORREA EN V
43	339199X1			2	CIRCLIP	CIRCLIP	SEEGERING	GRAPA CIRCULAR
44	1440479X1			2	CIRCLIP	CIRCLIP	SEEGERING	GRAPA CIRCULAR
45	D28785230	[A]		1	BRACKET	SUPPORT FIXATION	HALTEAM	SOPORTE
46	D28730018			1	WASHER	RONDELLE	SCHEIBE	ARANDELA
47	D28710736			1	LOCK WASHER	RONDELLE FREIN	SICHERUNGSRING	ARANDELA SEGURID
48	D28710073			1	NUT	ECROU	MUTTER	TUERCA
49	1440477X1			1	CIRCLIP	CIRCLIP	SEEGERING	GRAPA CIRCULAR
50	D20400416			1	WASHER	RONDELLE	SCHEIBE	ARANDELA
51	3009492X1	M10 X 25		X	HEX. SOCK. SCREW	VIS TETE HEX	ZYLINDERSCHRAUBE	TORN.CAB.HUECA
52	D41112500			X	WASHER	RONDELLE	SCHEIBE	ARANDELA
53	339402X1	M10		8	NUT SPECIAL	ECROU SPECIAL	SPEZIALMUTTER	TUERCA ESPECIAL
54	D28785370			1	BAND	BANDE	BANDA	BANDA
55	3009493X1	M10 X 30		12	HEX. SOCK. SCREW	VIS TETE HEX	ZYLINDERSCHRAUBE	TORN.CAB.HUECA
56	D46490013	8350		1	ENGINE	MOTEUR	MOTOR	MOTOR
56	D46490048	➔	61489	1	ENGINE	MOTEUR	MOTOR	MOTOR
		8350						
56	D46490011	➔	61490	1	ENGINE	MOTEUR	MOTOR	MOTOR
		8300						
56	D46490047	➔	61489	1	ENGINE	MOTEUR	MOTOR	MOTOR
		8300						
		➔	61490					
57	D44900586			1	GAUGE	APPAREIL INDICAT	MESSGERAET	APARAT INDICADOR
58	D28786520			1	NIPPLE	GRAISSEUR COUDE	NIPPEL	NIPLE
59	D45711200			1	GASKET	JOINT	FLACHDICHTUNG	JUNTA PLANA
60	D28785115			1	CONNECTOR	BORNE.	DOPPELNIPPEL	CONECTOR
61	D28785053	➔	61489	1	REDUCER	REDUCTEUR	REDUZIERSTUECK	REDUCCION
61	D28273868	➔	61490	1	REDUCER	REDUCTEUR	REDUZIERSTUECK	REDUCCION
62	D28786662			1	NIPPLE	GRAISSEUR COUDE	NIPPEL	NIPLE
63	D46422300			2	COCK	ROBINET	ABSPERRHAHN	AGUJA INDICADORA
64	D28786671			1	CLAMP	COLLIER	HALTESCHELLE	ABRAZADERA
65	D28751580			1	STUD	GOUJON	STEBBOLZEN	ESPARRAGO ROSCA.
66	D28786794			2	LEVER	LEVIER	HEBEL	PALANCA
67	D28784525	[B]		X	HOSE	DURITE	SCHLAUCH	TUBO DE GOMA
		⬅	5 M					
68	3000483X1	⊙	16-22	2	HOSE CLIP	COLLIER DURITE	SCHLAUCHBINDER	ABRAZADERA TUBO
69	D45736700			2	SUPPORT	SUPPORT	TRAGER	SOPORTE
70	3000483X1	⊙	16-22	1	HOSE CLIP	COLLIER DURITE	SCHLAUCHBINDER	ABRAZADERA TUBO
71	D28782175	[B]		1	FUEL HOSE	DURITE CARBURANT	KRAFTST.SCHLAUCH	FLEX P COMBUST
		⬅	5 M					



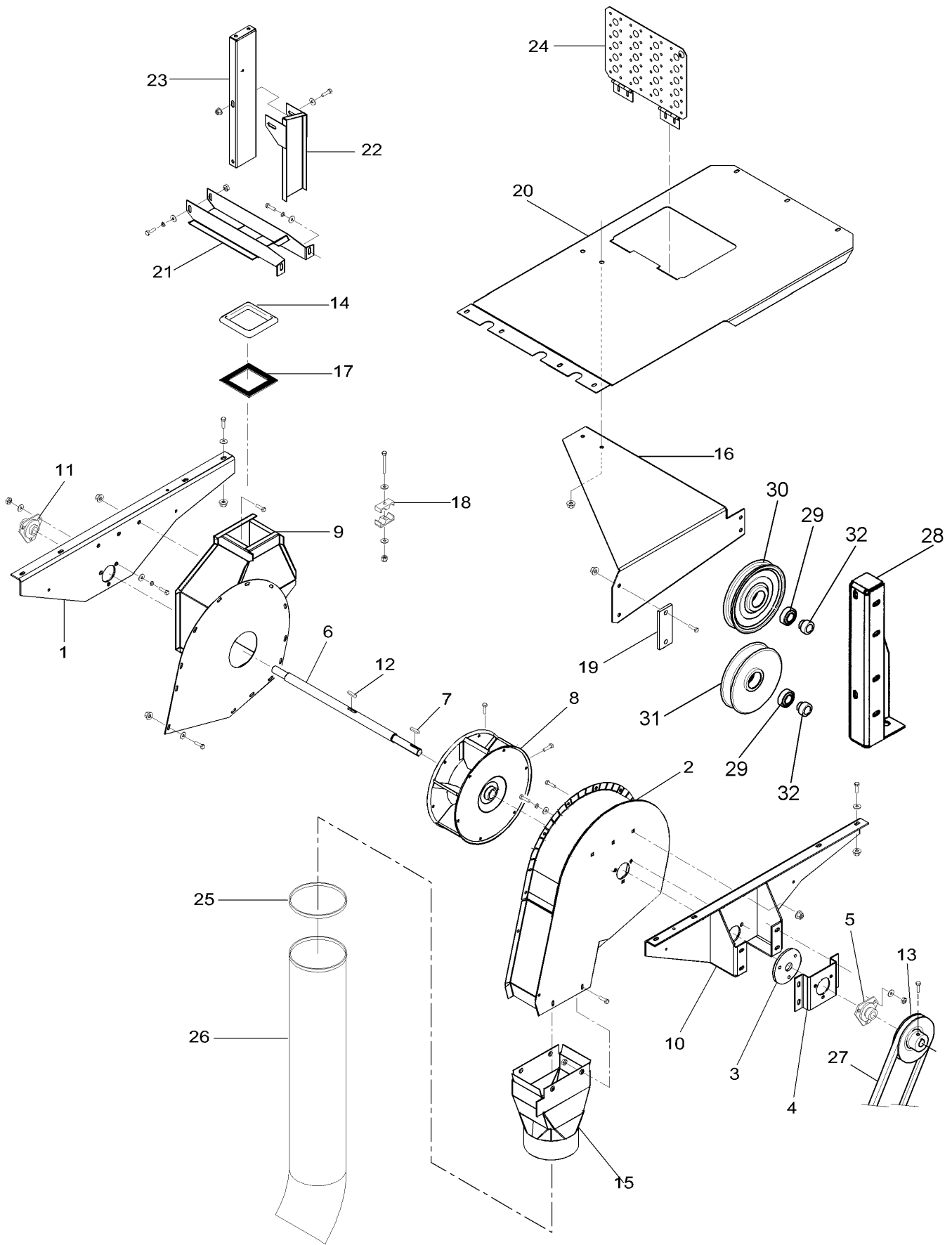
D-AZZG-008-H

72	D45201600		2	PACKING	GARNITURE ETANCH	PACKUNG	EMPAQUETADURA
73	D28780947		1	WASHER	RONDELLE	SCHEIBE	ARANDELA
74	D44900617		1	SENSOR	DETECTEUR	SENSOR	DETECTOR
75	D28785226		2	EXTENSION	RALLONGE	VERLAENGERUNG	ENSANCHE
76	D28787261		1	BRACKET	SUPPORT FIXATION	HALTEARM	SOPORTE
77	D28787262		1	BRACKET	SUPPORT FIXATION	HALTEARM	SOPORTE
78	D28785109	➡ 61489	1	CONSOLE	CONSOLE	KONSOLE	CONSOLA
78	D28273854	➡ 61490	1	CONSOLE	CONSOLE	KONSOLE	CONSOLA
79	D45080062		1	COMPRESSOR	COMPRESSEUR	KOMPRESSOR	COMPRESOR
80	D28785046		2	BRACKET	SUPPORT FIXATION	HALTEARM	SOPORTE
81	D28788542		1	PLATE	PLAQUE	PLATTE	PLATO
82	D28788591		1	PLATE	PLAQUE	PLATTE	PLATO
83*	D46440048		1	STOP SOLENOID	STOP ELECTRIQUE	MAGNETSPULE.	SOLENOID
84	D28760746		1	THREADED PART	PIECE FILETEE	GEWINDESTUECK	VARILLA ROSCADO
85	D28761073		1	THREADED PART	PIECE FILETEE	GEWINDESTUECK	VARILLA ROSCADO
86	D28782912		1	BRACKET	SUPPORT FIXATION	HALTEARM	SOPORTE
87	D28787471		1	STAY	HAUBAN	STREBE	TIRANTE
88	D28785238	86	1	BRACKET	SUPPORT FIXATION	HALTEARM	SOPORTE
89	D28785239	86	1	SUPPORT	SUPPORT	TRAGER	SOPORTE
90	D41622700		2	BEAR. 6204 2RS	RLT 6204 2RS	LAGER 6204 2RS	RODA. 6204 2RS
91	D28782758		1	RING	ANNEAU	RING.	ANILLO
92	D41618100		1	BALL BEARING	ROULEMENT BILLES	KUGELLAGER	COJINETE DE BOLA
93	D28782757		1	SPACER	ENTRETOISE	ABSTANDSTUECK	DISCO ESPACIADOR
94	D43001500		1	GREASE FITTING	GRAISSEUR	DRUCKSCHMIERKOPF	ENGRASADOR
95	V836659691		1	RELAY	RELAIS	RELAIS	RELE
96	D28780881		1	CAP	CHAPEAU	KAPPE	TAPA
97*	D46440047	83 [C]	1	RELAY	RELAIS	RELAIS	RELE
98*	D46447400		1	OIL FILTER	FILTRE HUILE	OELFILTER	FILTRO DE ACEITE
99*	1896287M91		1	FUEL ELEMENT	ELEMENTCARBURANT	FILTREINSATZ.	ELEMENTO GASOLEO

[A] ORDER D28782912 + D28787471
COMMANDER D28782912 + D28787471
BESTELLEN D28782912 + D28787471
PEDIR D28782912 + D28787471

[B] CUT TO REQUIRED LENGTH
COUPER A LA LONGEUR DESIREE
BENOETIGTE LAENGE ABSCHNEIDEN
CORTAR A LA LONGITUD DESEADA

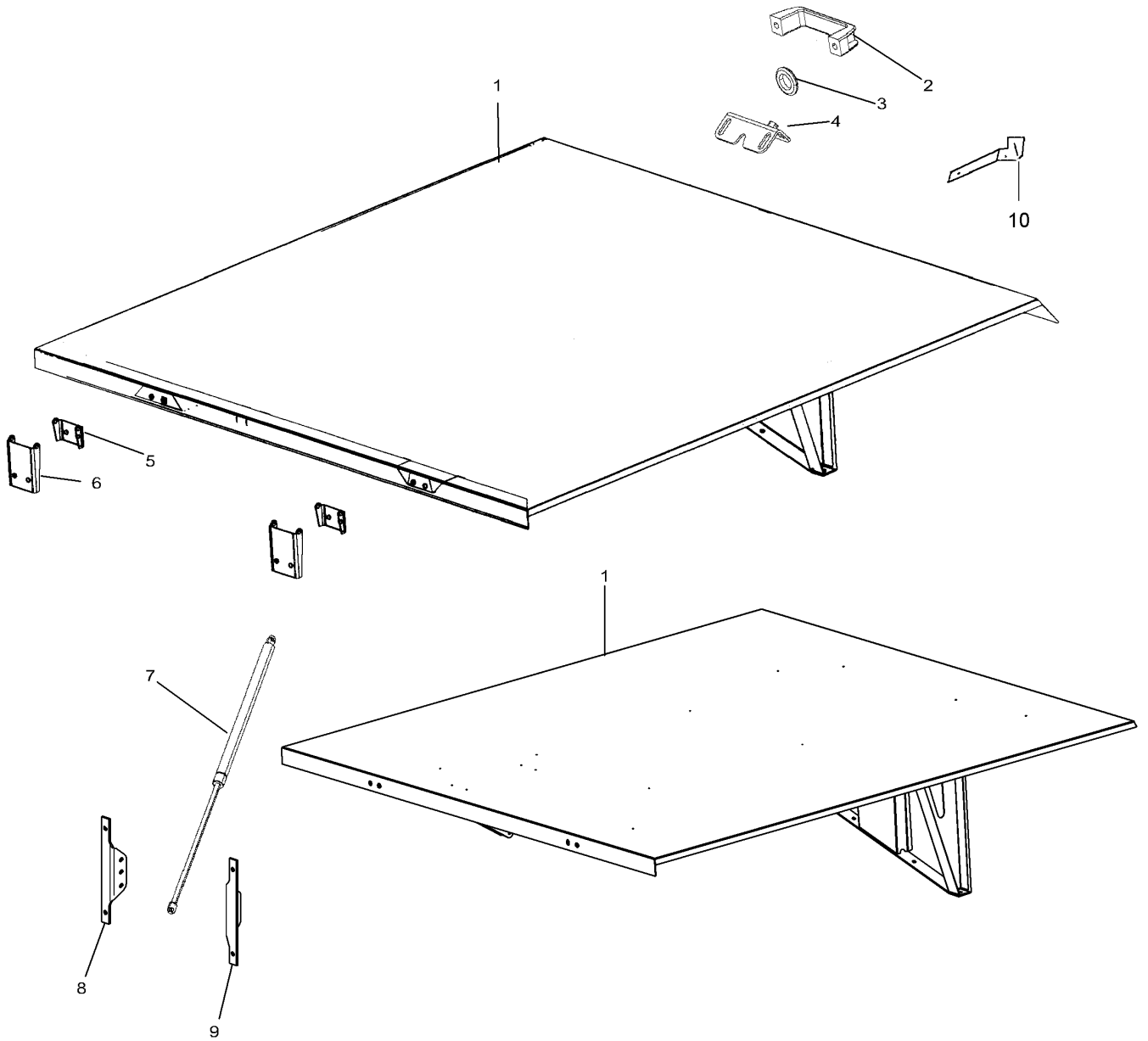
[C] NOT ILLUSTRATED
NON ILLUSTRE
NICHT ILLUSTRIERT
NO ILUSTRADO



D-AZZH-003-C

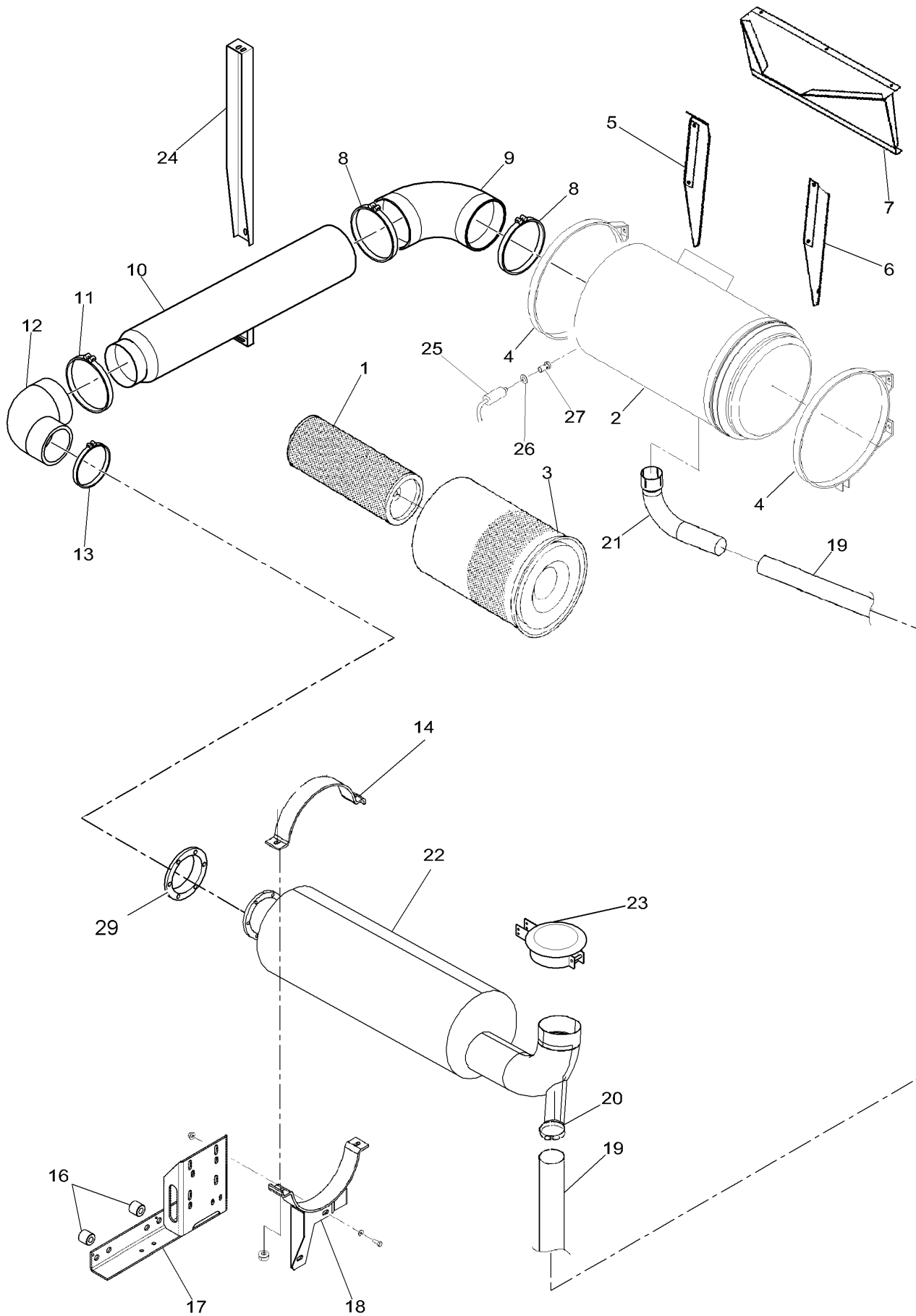
1 D28782347		1 BRACKET	SUPPORT FIXATION	HALTEARM	SOPORTE
2 D28788493		1 HOUSING	CARTER	GEHAEUSE	ALOJAMIENTO
3 D28782092		1 PLATE	PLAQUE	PLATTE	PLATO
4 D28782105		1 BEARING CARRIER	PALIER	LAGER GEHAEUSE	COJINETE APOYO
5 D41713700		1 BEARING	COUSSINET	LAGER	COJINETE
6 D28782256		1 SHAFT	ARBRE	WELLE	ARBOL
7 D43103400		1 KEY	CLAVETTE	STELLKEIL	CHAVETA
8 D28780586		1 FAN	VENTILATEUR	LÜFTER	VENTILADOR
9 D28788499		1 COVER	COUVERCLE	ABDECKUNG.	CUBIERTA
10 D28782349		1 BRACKET	SUPPORT FIXATION	HALTEARM	SOPORTE
11 D41713700		1 BEARING	COUSSINET	LAGER	COJINETE
12 D43102300		1 KEY	CLAVETTE	STELLKEIL	CHAVETA
13 D28780113		1 PULLEY	POULIE	RIEMENSCHLEIBE	POLEA
14 D28782164	[A] ◀▶ 5 M	X GASKET	JOINT	FLACHDICHTUNG	JUNTA PLANA
15 D28782258		1 CHANNEL	CANAL	KANAL	CANAL
16 D28185993		1 BRACKET	SUPPORT FIXATION	HALTEARM	SOPORTE
17 D28782178	[A] ◀▶ 5 M	X SEAL SECTION	PROFIL ETANCH	DICHTPROFIL	PARTE DE RETEN
18 D45736700		1 SUPPORT	SUPPORT	TRAGER	SOPORTE
19 D28185994		1 SUPPORT	SUPPORT	TRAGER	SOPORTE
20 D28186752	STAGE II	1 SHELF	ETAGERE	REGAL	DEPOSITO SEDIMEN
21 D28780786		1 SHROUD	BUSE	UMMANTELUNG	BOVEDA
22 D28780779		1 SHROUD	BUSE	UMMANTELUNG	BOVEDA
23 D28780783		1 BRACKET	SUPPORT FIXATION	HALTEARM	SOPORTE
24 D18184285		1 COVER	COUVERCLE	ABDECKUNG.	CUBIERTA
25 D45731400		X CLAMP	COLLIER	HALTESCHELLE	ABRAZADERA
26 D28786865		1 HOSE	DURITE	SCHLAUCH	TUBO DE GOMA
27 D41939300		1 BELT	COURROIE	RIEMEN	CORREA
28*D28785572		1 BRACKET	SUPPORT FIXATION	HALTEARM	SOPORTE
29*339599X1		2 BEAR. 6204 2RS	RLT 6204 2RS	LAGER 6204 2RS	RODA. 6204 2RS
30*D28760574		1 PULLEY	POULIE	RIEMENSCHLEIBE	POLEA
31*D28752130		1 PULLEY	POULIE	RIEMENSCHLEIBE	POLEA
32*D28760155		2 BUSH	BAGUE	RING	CASQUILLO

[A] CUT TO REQUIRED LENGTH
COUPER A LA LONGEUR DESIREE
BENOETIGTE LAENGE ABSCHNEIDEN
CORTAR A LA LONGITUD DESEADA



D-AZZJ-001-C

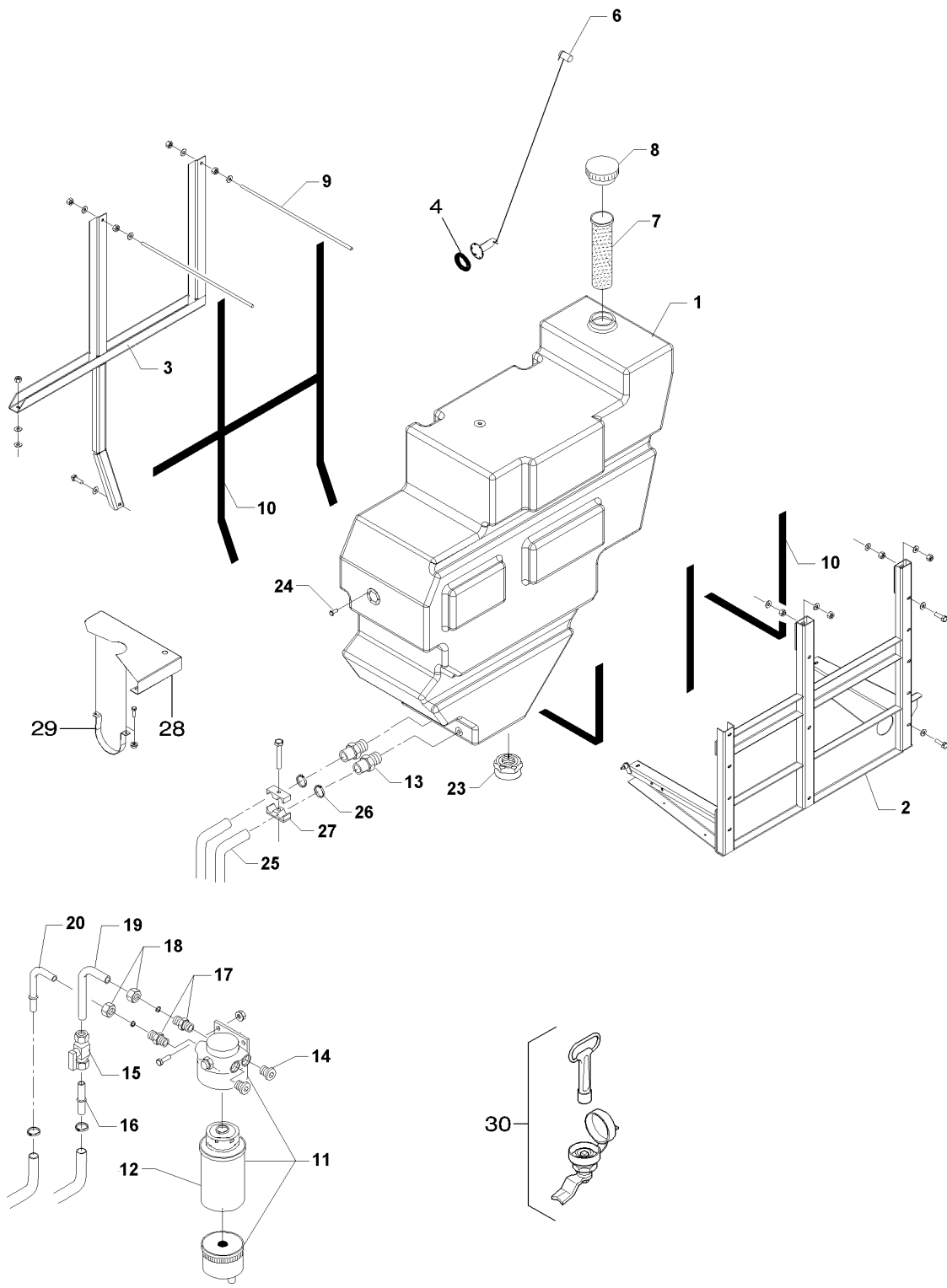
1 D28788311	➡ 61489	1 BONNET.	CAPOT	MOTORHAUBE	CAPO
1 D28273844	➡ 61490	1 BONNET.	CAPOT	MOTORHAUBE	CAPO
2 D43386900		1 GRIP	POIGNEE	HANDGRIFF	MANGO
3 D44732700		1 GROMMET	PASSE FIL	GUMMITUELLE	PASACABLE
4 D43419900		1 LOCK	SERRURE	SCHLOSS	CERRADURA
5 D28788309		2 HINGE	CHARNIERE	SCHARNIER	CHARNELA
6 D28788308		2 HINGE	CHARNIERE	SCHARNIER	CHARNELA
7 D45056700		1 GAS STRUT	VERIN AMORTISSEU	GASZYLINDER	CILINDRO GAS
8 D28788350		1 BRACKET	SUPPORT FIXATION	HALTEARM	SOPORTE
9 D28788350		1 BRACKET	SUPPORT FIXATION	HALTEARM	SOPORTE
10*D28286307	➡ 61490	1 LOCK	SERRURE	SCHLOSS	CERRADURA



D-AZAZ-008-E

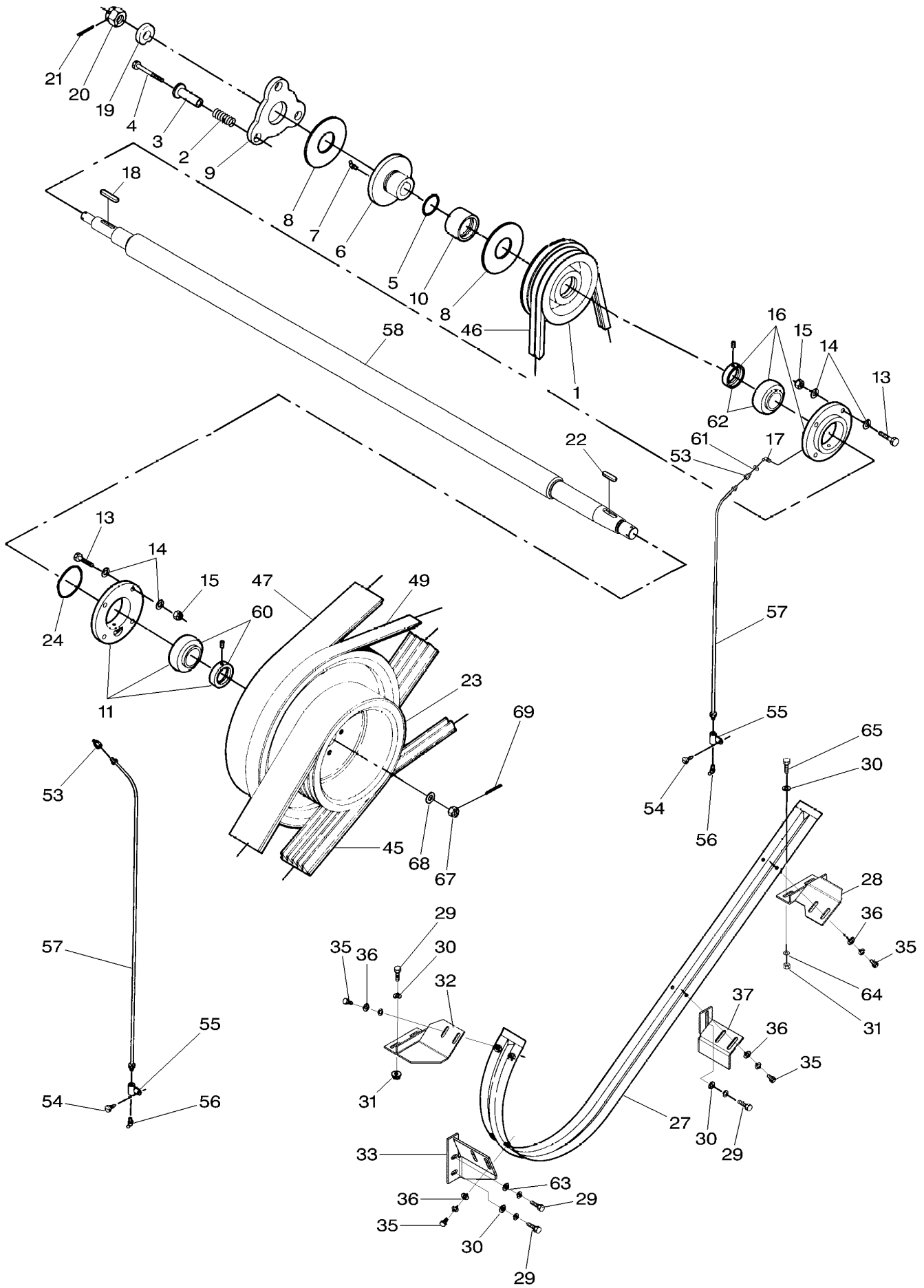
1	D46483900	2	1	FILTER	FILTRE	FILTER	FILTRO
2	D46483700	CPL.	1	AIR FILTER	FILTRE A AIR	LUFTFILTER	FILTRO DE AIRE
3	D46483800	2	1	FILTER	FILTRE	FILTER	FILTRO
4	D46483600		2	BAND	BANDE	BAND	BANDA
5	D28186299		1	BRACKET	SUPPORT FIXATION	HALTEARM	SOPORTE
6	D28186298		1	BRACKET	SUPPORT FIXATION	HALTEARM	SOPORTE
7	D28186239		1	SUPPORT	SUPPORT	TRAGER	SOPORTE
8	D45733900		2	HOSE CLIP	COLLIER DURITE	SCHLAUCHBINDER	ABRAZADERA TUBO
9	D46486100		1	ELBOW	COUDE	WINKELSTUECK	CODO
10	D28786880		1	PIPE	TUYAU	TUBE	TUBO
11	D45733700		1	HOSE CLIP	COLLIER DURITE	SCHLAUCHBINDER	ABRAZADERA TUBO
12	D46444900		1	HOSE	DURITE	SCHLAUCH	TUBO DE GOMA
13	338620X1	∅ 80-100	1	CLAMP	COLLIER	HALTESCHELLE	ABRAZADERA
14	D28780147		1	TENSIONER	TENDEUR	SPANNER	TENSOR
16	D28786827		2	PIN	GOUPILLE	STIFT	PASADOR
17	D28785178		1	BRACKET	SUPPORT FIXATION	HALTEARM	SOPORTE
18	D28785270		1	BRACKET	SUPPORT FIXATION	HALTEARM	SOPORTE
19	D28788534		1	EJECTOR	EJECTEUR	AUSWERFER	EXPULSOR
20	338617X1	∅ 40-60	X	HOSE CLIP	COLLIER DURITE	SCHLAUCHBINDER	ABRAZADERA TUBO
21	D28786516		1	PIPE	TUYAU	TUBE	TUBO
22	D28787260	➡ 61489	1	SILENCER	SILENCIEUX	AUSPUFFTOPF	SILENCIADOR
22	D28273888	➡ 61490	1	SILENCER	SILENCIEUX	AUSPUFFTOPF	SILENCIADOR
23	D46483200		1	CAP	CHAPEAU	KAPPE	TAPA
24	D28788456		1	BRACKET	SUPPORT FIXATION	HALTEARM	SOPORTE
25	D46442400		1	INDICATOR	INDICATEUR	ANZEIGER	INDICADOR
26	D20400417		1	WASHER	RONDELLE	SCHEIBE	ARANDELA
27	D45717900		1	UNION	RACCORD	VERSCHRAUBUNG	RACOR
28*	D46483500	[A]	6	LATCH	VERROU	KLINKE	TOPE
29*	D46445600		1	GASKET	JOINT	FLACHDICHTUNG	JUNTA PLANA

[A] NOT ILLUSTRATED
 NON ILLUSTRÉ
 NICHT ILLUSTRIRT
 NO ILUSTRADO



1	D28785535		1	TANK	RESERVOIR	TANK	DEPOSITO
2	D28785520		1	CONSOLE	CONSOLE	KONSOLE	CONSOLA
3	D28785530		1	SUPPORT	SUPPORT	TRAGER	SOPORTE
4	1426488M1	↔ D45080036	1	GASKET	JOINT	FLACHDICHTUNG	JUNTA PLANA
6	D28785601		1	FUEL GAUGE	JAUGE CARBURANT	KRAFTST-MESSER	INDIC.COMBUST.
7	D46403500		1	FUEL FILTER	FILTRE CARBURANT	KRAFTSTOFFILTER	FILTRO COMBUSTI.
8	D45080038		1	TANK CAP	BOUCHON RESERV	TANKVERSCHLUSS	TAPON DEPOSITO
9	D28781582		2	THREADED PART	PIECE FILETEE	GEWINDESTUECK	VARILLA ROSCADO
10	D44745300	[A] ◀▶ 5 M CPL	X	RUBBER	CAOUTCHOUC	GUMMI	CAUCHO
11	D46446500		1	SEDIMENT BOWL	DECANTEUR	ABSETZGEFAESS	EMBUDO TRASIEGO
12	D46443000	11	1	ELEMENT	ELEMENT	ELEMENT	ELEMENTO
13	D28785576		2	CONNECTOR	BORNE.	DOPPELNIPPEL	CONECTOR
14	D45236700		2	SCREW	VIS	SCHRAUBE	TORNILLO
15	D45713000		1	VALVE	SOUPAPE	VENTIL	VALVULA
16	D45716800		1	UNION	RACCORD	VERSCHRAUBUNG	RACOR
17	D45761000		2	NIPPLE	GRAISSEUR COUDE	NIPPEL	NIPLE
18	D46446000		2	UNION	RACCORD	VERSCHRAUBUNG	RACOR
19	D28785732		1	BAND	BANDE	BAND	BANDA
20	D45735300		1	CONNECTOR	BORNE.	DOPPELNIPPEL	CONECTOR
23	D45080039		1	PLUG	BOUCHON	STOPFEN	TAPON
24	D40741100		6	SCREW	VIS	SCHRAUBE	TORNILLO
25	D28784525	[A] ◀▶ 5 M ○ 16-22	X	HOSE	DURITE	SCHLAUCH	TUBO DE GOMA
26	3000483X1		2	HOSE CLIP	COLLIER DURITE	SCHLAUCHBINDER	ABRAZADERA TUBO
27	D45739200		2	SUPPORT	SUPPORT	TRAGER	SOPORTE
28	D28785533		1	BRACKET	SUPPORT FIXATION	HALTEARM	SOPORTE
29	D28185671		1	HOLDER	PIECE SUPPORT	HALTER	SUJETADOR
30	D43425200		1	KEY	CLAVETTE	STELLKEIL	CHAVETA
30	D43425300		1	NUT	ECROU	MUTTER	TUERCA
30	D43425400		1	PACKING	GARNITURE ETANCH	PACKUNG	EMPAQUETADURA
30	D43425500		1	O RING	JOINT TORIQUE	O-RING	JUNTA TOROIDAL
30	D43425600		1	CAP	CHAPEAU	KAPPE	TAPA
30	D43425700		1	ROD	TRINGLE	STANGE	VARILLA
30	D43425800		1	SCREW	VIS	SCHRAUBE	TORNILLO
30	D43425900		1	LOCK	SERRURE	SCHLOSS	CERRADURA

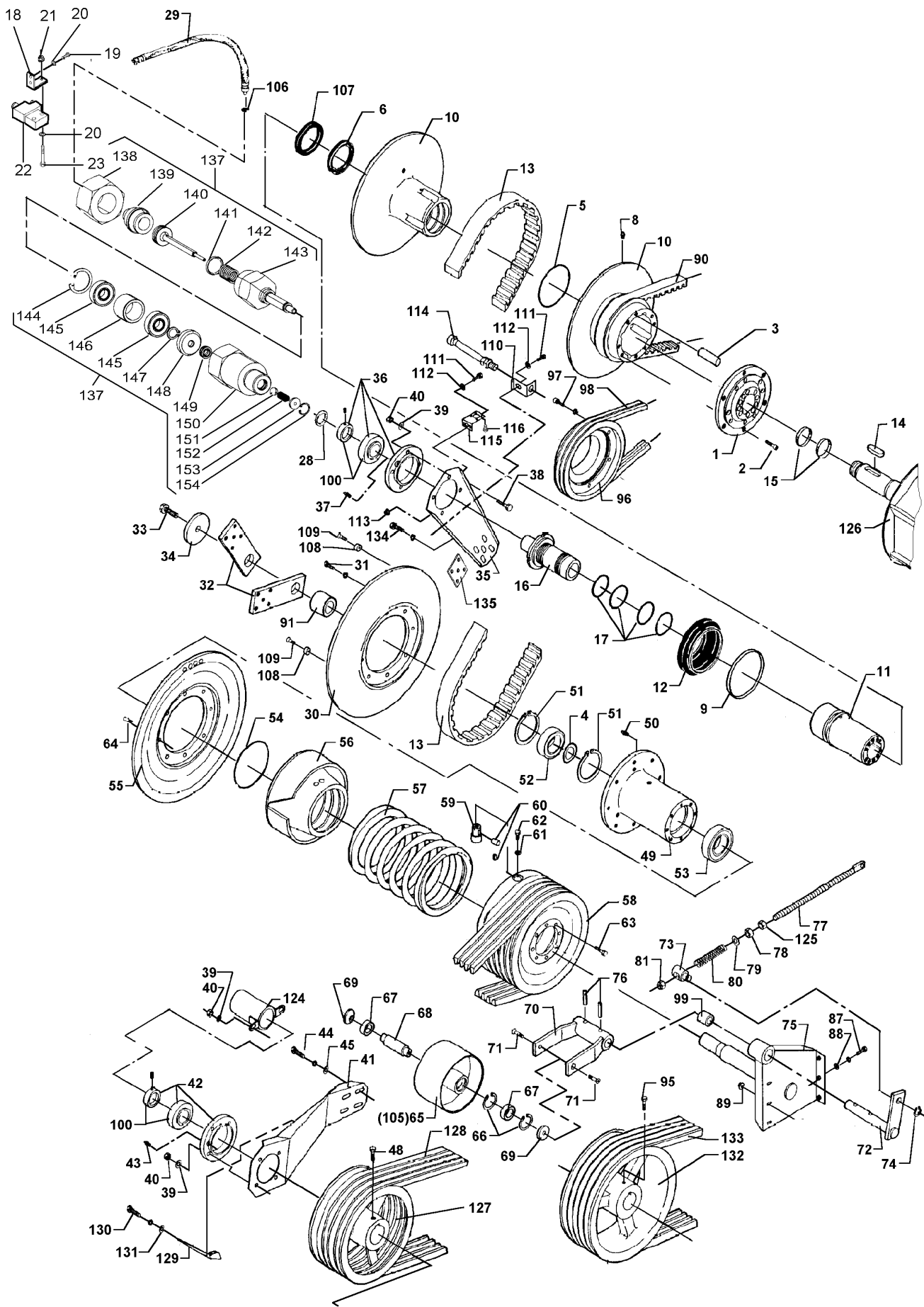
[A] CUT TO REQUIRED LENGTH
COUPER A LA LONGEUR DESIREE
BENOETIGTE LAENGE ABSCHNEIDEN
CORTAR A LA LONGITUD DESEADA



D-AAZA-006-A

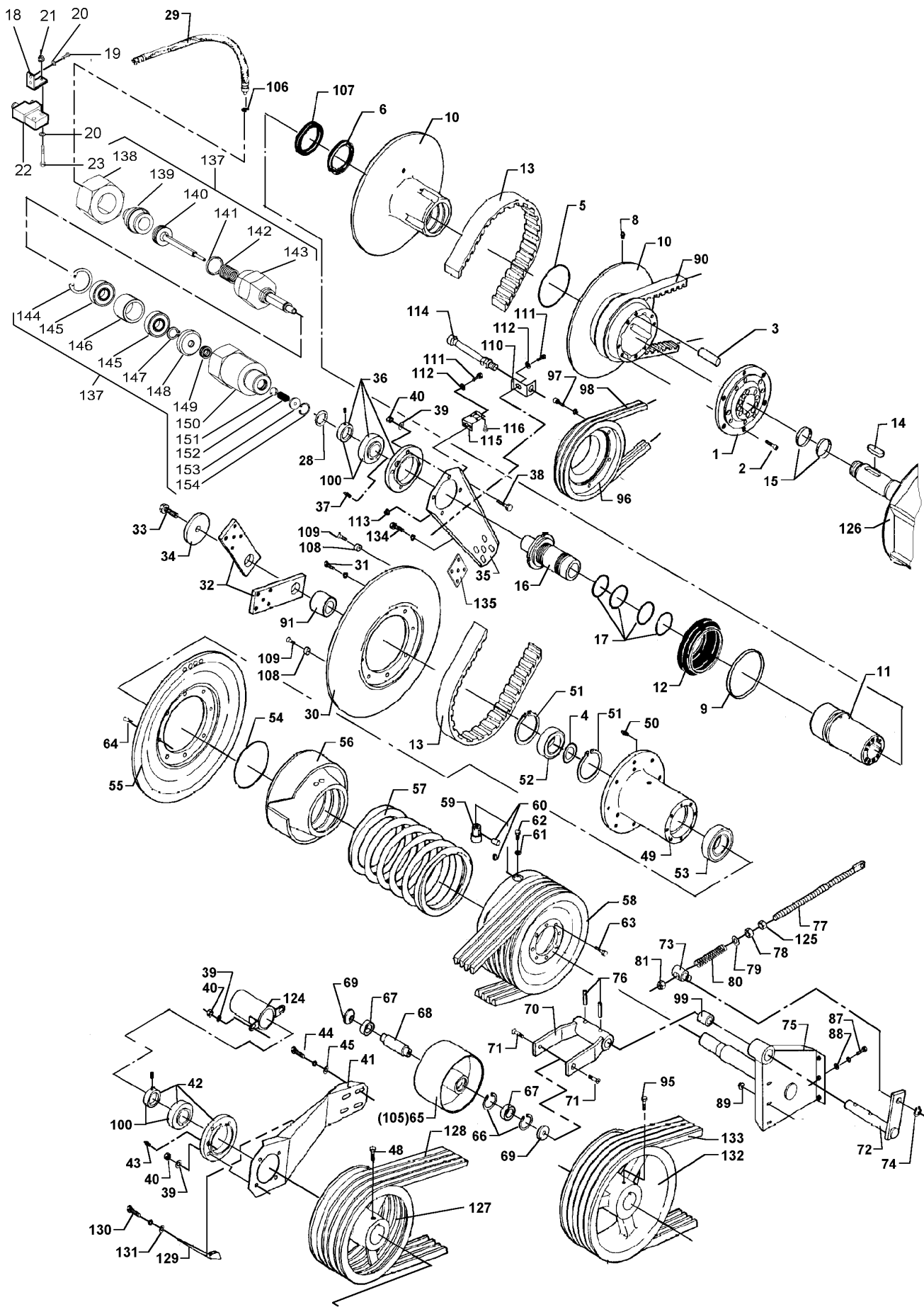
1	D28780480		1	CLUTCH	EMBAYAGE	SCHALTKUPPLUNG	EMBRAGUE
1	D28780813	1	1	PULLEY	POULIE	RIEMENSCHLEIBE	POLEA
2	D28260098	1	3	COMP.SPRING	RESSORT DE COMPR	DRUCKFEDER	RESORTE DE COMP.
3	D28780809	1	1	BUSH	BAGUE	RING	CASQUILLO
4	D40466800	1	3	SCREW	VIS	SCHRAUBE	TORNILLO
5	D45465600	1	1	O RING	JOINT TORIQUE	O-RING	JUNTA TOROIDAL
6	D28780482	1	1	HUB	MOYEU	NABE	CUBO
7	3008923X1	1	1	GREASE FITTING	GRAISSEUR	DRUCKSCHMIERKOPF	ENGRASADOR
8	D45903800	1	2	FRICITION DISC	DISQUE FRICTION	REIBSCHEIBE	DISCO FRICCION
9	D28780478	1	1	PLATE	PLAQUE	PLATTE	PLATO
10	D28780810	1	1	LINING	GARNITURE FRICT	BELAG	FORRO
11	D41717800		1	BEARING FLANGE	FLASQUE ROULT	LAGERFLANSCH	BEARING FLANGE
13	339881X1	M16 X 60	8	HEX. SOCK. SCREW	VIS TETE HEX	ZYLINDERSCHRAUBE	TORN.CAB.HUECA
14	D20400459		16	WASHER	RONDELLE	SCHLEIBE	ARANDELA
15	1442739X1	M16	8	LOCKNUT	ECROU FREIN	SICHERUNGSMUTTER	CONTRATUERCA
16	D41711000		1	FLANGE	FLASQUE	FLANSCH	PLETINA
17	D43001700		1	GREASE FITTING	GRAISSEUR	DRUCKSCHMIERKOPF	ENGRASADOR
18	D43104900		1	KEY	CLAVETTE	STELLKEIL	CHAVETA
19	D28780475		1	WASHER	RONDELLE	SCHLEIBE	ARANDELA
20	339046X1	M24	1	CASTLE NUT	ECROU A CRENEAU	KRONENMUTTER	TUERCA CON MUES.
21	354078X1	3/16" X 1-1/4	1	SPLIT PIN	GOUPILLE FENDUE	SPALTBOLZEN	PASADOR HENDIDO
22	D43106400		1	KEY	CLAVETTE	STELLKEIL	CHAVETA
23	D28785635		1	PULLEY	POULIE	RIEMENSCHLEIBE	POLEA
24	D28785854		1	SPACER	ENTRETOISE	ABSTANDSTUECK	DISCO ESPACIADOR
27	D28787996		1	PROTECTOR	PROTECTEUR	SCHUTZ	PROTECTOR
28	D28785348		1	SUPPORT	SUPPORT	TRAGER	SOPORTE
29	3009493X1	M10 X 30	X	HEX. SOCK. SCREW	VIS TETE HEX	ZYLINDERSCHRAUBE	TORN.CAB.HUECA
30	D20400416		X	WASHER	RONDELLE	SCHLEIBE	ARANDELA
31	1440329X1	M10	2	LOCKNUT	ECROU FREIN	SICHERUNGSMUTTER	CONTRATUERCA
32	D28785342		1	SUPPORT	SUPPORT	TRAGER	SOPORTE
33	D28785344		1	SUPPORT	SUPPORT	TRAGER	SOPORTE
35	339124X1	M8 X 16	8	HEX. SOCK. SCREW	VIS TETE HEX	ZYLINDERSCHRAUBE	TORN.CAB.HUECA
36	D20400506		8	WASHER	RONDELLE	SCHLEIBE	ARANDELA
37	D28785346		1	BRACKET	SUPPORT FIXATION	HALTEAM	SOPORTE
45	D41990059	👁 4-5 No 57	1	BELT	COURROIE	RIEMEN	CORREA
46	D41929000	👁 7-2 No 26	2	V BELT	COURROIE TRAPEZ	KEILRIEMEN	CORREA EN V
47	D41990064	👁 10-6 No 41	1	BELT	COURROIE	RIEMEN	CORREA
49	D41979600		1	BELT	COURROIE	RIEMEN	CORREA
49	D41990049	[B]	1	BELT	COURROIE	RIEMEN	CORREA
53	D43009500		1	CONNECTOR	BORNE.	DOPPELNIPPEL	CONECTOR
54	D40743100		2	SCREW	VIS	SCHRAUBE	TORNILLO
55	D43009200		2	BRACKET	SUPPORT FIXATION	HALTEAM	SOPORTE
56	D43002600		2	GREASE FITTING	GRAISSEUR	DRUCKSCHMIERKOPF	ENGRASADOR
57	D28780803		2	TUBE	TUBE	ROHR	TUBO.
58	D28785855		1	COUNTER SHAFT	ARBRE DE RENVOI	TRANSMIS.WELLE	CONTRAEJE
60	D41717600	11	1	BEARING	COUSSINET	LAGER	COJINETE
61	D20400453		1	WASHER	RONDELLE	SCHLEIBE	ARANDELA
62	D41705700		1	BALL BEARING	ROULEMENT BILLES	KUGELLAGER	COJINETE DE BOLA
63	D20400471		1	WASHER	RONDELLE	SCHLEIBE	ARANDELA
64	D20400473		2	WASHER	RONDELLE	SCHLEIBE	ARANDELA
65	339814X1	M10 X 35	2	HEX. SOCK. SCREW	VIS TETE HEX	ZYLINDERSCHRAUBE	TORN.CAB.HUECA
67	D41054900		1	CASTLE NUT	ECROU A CRENEAU	KRONENMUTTER	TUERCA CON MUES.
68	D41652800		1	BUSH	BAGUE	RING	CASQUILLO
69	354416X1	3/16" X 2-1/2	1	PIN	GOUPILLE	STIFT	PASADOR

[B] REDUCED CHOP SPEED
KIT VITESSE LENTE BROYEUR
REDUZ. HACKSLERUMDREHUNGEN
JUEGO REDUCTOR VELOC. PICIPAJA



D-AAZB-001-B

1	D28080609	1	1	EPICYCLIC	REDUCTEUR EPICYC	PLANETENGETRIEBE	EPICICLICO
1	D28382095		1	VARIATOR	VARIATEUR	VARIATOR	VARIADOR
1	D28380221	1	1	COVER	COUVERCLE	ABDECKUNG.	CUBIERTA
2	D40607100	1	18	SCREW	VIS	SCHRAUBE	TORNILLO
3	D28380024	1	4	PIN	GOUPILLE	STIFT	PASADOR
4	D41654800	2	x	WASHER	RONDELLE	SCHEIBE	ARANDELA
4	D41654900	2	x	SHIM	CALE REGLAGE	AUSGLEICHSCHEIBE	CALCE
5	D45471500	1	1	O RING	JOINT TORIQUE	O-RING	JUNTA TOROIDAL
6	D45403600	1	1	GASKET	JOINT	FLACHDICHTUNG	JUNTA PLANA
8	1441858X1	1	1	GREASE FITTING	GRAISSEUR	DRUCKSCHMIERKOPF	ENGRASADOR
9	D45039100	1	3	CABLE TIE	ATTACHE CABLE	KABELBINDER	APIRIACABLES
10	D28380301	1	1	VARIATOR	VARIATEUR	VARIATOR	VARIADOR
11	D28380298	1	1	BUSH	BAGUE	RING	CASQUILLO
12	D28380031	1	1	BELLOWS	SOUFFLET	FALTENBALG	FUELLE
13	D41980500		1	BELT	COURROIE	RIEMEN	CORREA
14	D43110600		1	KEY	CLAVETTE	STELLKEIL	CHAVETA
15	D42596800		1	TIGHTENER	TENSEUR	SPANNROLLE	TENSADOR
16	D28380184		1	BUSH	BAGUE	RING	CASQUILLO
17	D45467100		4	O RING	JOINT TORIQUE	O-RING	JUNTA TOROIDAL
18*	D28780959		1	HOLDER	PIECE SUPPORT	HALTER	SUJETADOR
19*	339666X1		1	HEX. SOCK. SCREW	VIS TETE HEX	ZYLINDERSCHRAUBE	TORN.CAB.HUECA
20*	D20400404		2	WASHER	RONDELLE	SCHEIBE	ARANDELA
21*	1441462X1		1	LOCKNUT	ECROU FREIN	SICHERUNGSMUTTER	CONTRATUERCA
22*	D45110095		1	PRESSURE VALVE	VALVE	DRUCKVENTIL	VALVULA PRESION
23*	391884X1		1	HEX. SOCK. SCREW	VIS TETE HEX	ZYLINDERSCHRAUBE	TORN.CAB.HUECA
28	D45420100		1	SEAL	JOINT ETANCHEITE	DICHTRING	JUNTA REDONDA
29	D45130034		1	HYDRAULIC HOSE	DURITE HYDRAULIC	HYDRAUL.SCHLAUCH	TUBO HYDRAULICO
29	D45136900		1	HYDR. HOSE	FLEXIBLE	HYDR. SCHLAUCH	TUBO HIDRAULICO
30	D28380063		1	WASHER	RONDELLE	SCHEIBE	ARANDELA
31	3009493X1	M10 X 30	8	HEX. SOCK. SCREW	VIS TETE HEX	ZYLINDERSCHRAUBE	TORN.CAB.HUECA
32	D28380018		2	BRACKET	SUPPORT FIXATION	HALTEAM	SOPORTE
33	390419X1	M16 X 40	1	HEX. SOCK. SCREW	VIS TETE HEX	ZYLINDERSCHRAUBE	TORN.CAB.HUECA
34	D28750882		1	WASHER	RONDELLE	SCHEIBE	ARANDELA
35	D28380020		1	YOKE	CHAPE ARTICULAT	GELENKGABEL	YUGO
36	D41711000		1	FLANGE	FLASQUE	FLANSCH	PLETINA
37	1441858X1		1	GREASE FITTING	GRAISSEUR	DRUCKSCHMIERKOPF	ENGRASADOR
38	3009507X1	M12 X 35	8	HEX. SOCK. SCREW	VIS TETE HEX	ZYLINDERSCHRAUBE	TORN.CAB.HUECA
39	D20400424		8	WASHER	RONDELLE	SCHEIBE	ARANDELA
40	3009695X1	M12	8	NUT	ECROU	MUTTER	TUERCA
41	D28380168		1	SUPPORT	SUPPORT	TRAGER	SOPORTE
42	D41711000		1	FLANGE	FLASQUE	FLANSCH	PLETINA
43	1441858X1		1	GREASE FITTING	GRAISSEUR	DRUCKSCHMIERKOPF	ENGRASADOR
44	339139X1	M12 X 25	8	HEX. SOCK. SCREW	VIS TETE HEX	ZYLINDERSCHRAUBE	TORN.CAB.HUECA
45	D20400424		8	WASHER	RONDELLE	SCHEIBE	ARANDELA
48	3009493X1	M10 X 30	2	HEX. SOCK. SCREW	VIS TETE HEX	ZYLINDERSCHRAUBE	TORN.CAB.HUECA
49	D28380040	49	1	VARIATOR	VARIATEUR	VARIATOR	VARIADOR
49	D28385025		1	VARIATOR	VARIATEUR	VARIATOR	VARIADOR
50	1441858X1	49	1	GREASE FITTING	GRAISSEUR	DRUCKSCHMIERKOPF	ENGRASADOR
51	D42516400	49	2	CIRCLIP	CIRCLIP	SEEGERING	GRAPA CIRCULAR
52	391069X1	49	1	BEAR. 6309 2RS	RLT 6309 2RS	LAGER 6309 2RS	RODA. 6309 2RS
53	3009404X1	49	1	BEAR. 6310 2RS	RLT 6310 2RS	LAGER 6310 2RS	RODA. 6310 2RS
54	D45472100	49	1	O RING	JOINT TORIQUE	O-RING	JUNTA TOROIDAL
55	D28380041	49	1	SPACER	ENTRETOISE	ABSTANDSTUECK	DISCO ESPACIADOR
56	D28380046	49	1	VARIATOR	VARIATEUR	VARIATOR	VARIADOR
57	D28385024	49	1	SPRING	RESSORT	FEDER	MUELLE
58	D28380039	49	1	PULLEY	POULIE	RIEMENSCHLEIBE	POLEA
59	D28380303	49	2	RETAINER	RETENEUR	HALTERING	RETENEDOR
60	D28380304	49	2	WEARPLATE	PLAQUE USURE	TRAGPLATTE	PLACA DE ROCE
61	D20400415	49	2	WASHER	RONDELLE	SCHEIBE	ARANDELA
62	3009491X1	49 M10 X 20	2	HEX. SOCK. SCREW	VIS TETE HEX	ZYLINDERSCHRAUBE	TORN.CAB.HUECA
63	390799X1	49 M10 X 40	8	HEX. SOCK. SCREW	VIS TETE HEX	ZYLINDERSCHRAUBE	TORN.CAB.HUECA
64	1441584X1	49	8	SCREW METRIC	VIS METRIQUE	SCHRAUBE METR	TORNILLO METRICO
65	D28380189		1	PULLEY	POULIE	RIEMENSCHLEIBE	POLEA
66	339199X1		2	CIRCLIP	CIRCLIP	SEEGERING	GRAPA CIRCULAR
67	SKF62042RS		2	BEAR. 6204 2RS	RLT 6204 2RS	LAGER 6204 2RS	RODA. 6204 2RS
68	D28380001		1	BOLT	BOULON	BOLZEN	BULON
69	D28380003		2	RING	ANNEAU	RING.	ANILLO
70	D28380009		1	ROCKER ARM	LEVIER OSCILLANT	SCHWINGHEBEL	PALANCA OSCILANT
71	1441584X1		2	SCREW METRIC	VIS METRIQUE	SCHRAUBE METR	TORNILLO METRICO
72	D28380005		1	ARM	BRAS	SCHARHEBEL	BRAZO
73	D28760334		1	BRACKET	SUPPORT FIXATION	HALTEAM	SOPORTE
74	1440475X1		1	CIRCLIP	CIRCLIP	SEEGERING	GRAPA CIRCULAR
75	D28385555		1	BRACKET	SUPPORT FIXATION	HALTEAM	SOPORTE
76	D42621900		2	PIN	GOUPILLE	STIFT	PASADOR
77	D28380011		1	TIE ROD	TRINGLERIE	ZUGSTANGE	BRAZO DE ENLACE
78	339034X1	M16	1	NUT	ECROU	MUTTER	TUERCA
79	D28181284		1	WASHER	RONDELLE	SCHEIBE	ARANDELA
80	D28210881		1	COMP.SPRING	RESSORT DE COMPR	DRUCKFEDER	RESORTE DE COMP.
81	1442739X1	M16	1	LOCKNUT	ECROU FREIN	SICHERUNGSMUTTER	CONTRATUERCA
87	390799X1	M10 X 40	6	HEX. SOCK. SCREW	VIS TETE HEX	ZYLINDERSCHRAUBE	TORN.CAB.HUECA
88	D20400415		3	WASHER	RONDELLE	SCHEIBE	ARANDELA
89	1440329X1	M10	3	LOCKNUT	ECROU FREIN	SICHERUNGSMUTTER	CONTRATUERCA



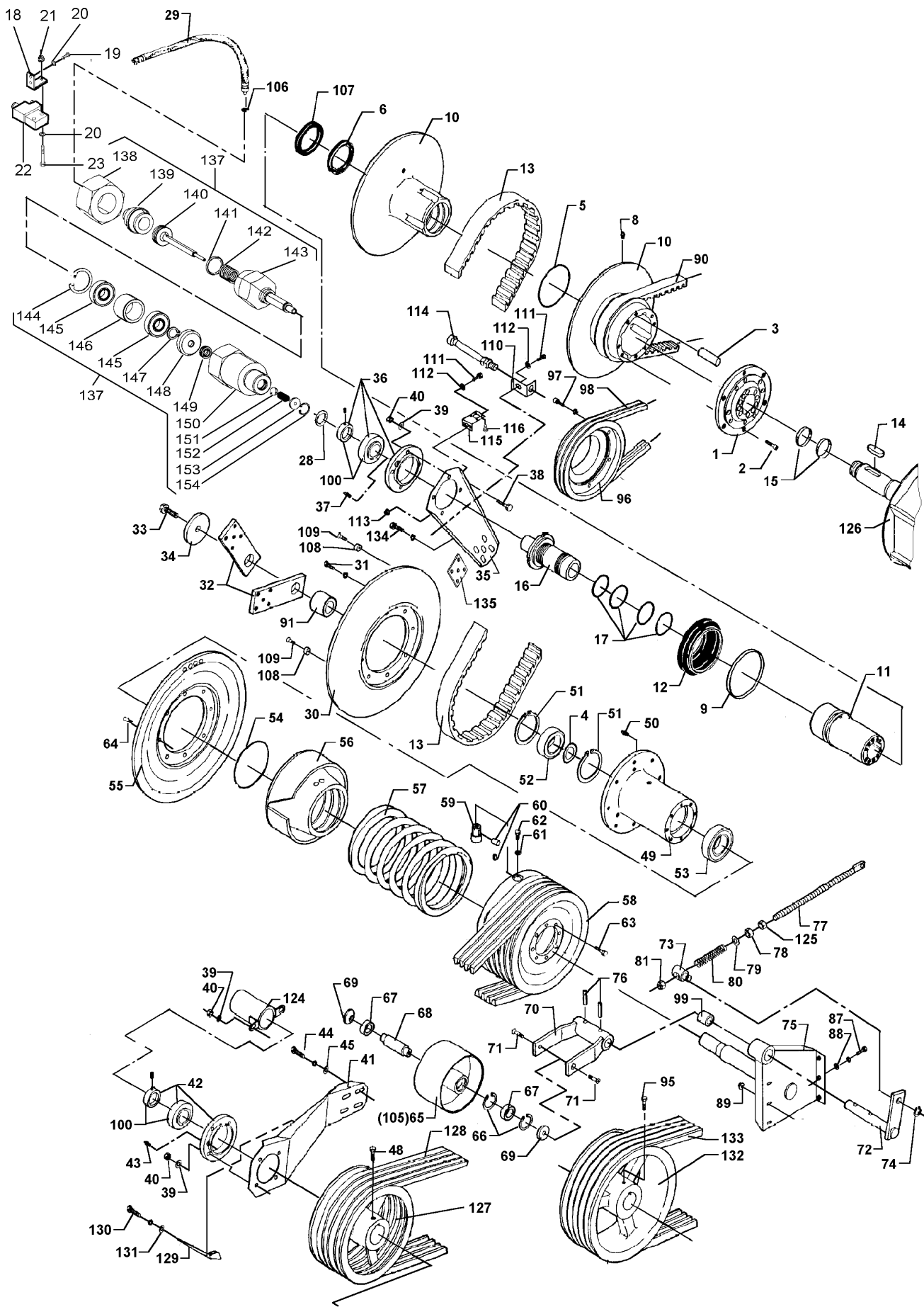
D-AAZB-001-B

90	D41981200		1	BELT	COURROIE	RIEMEN	CORREA
91	D28385557		1	BUSH	BAGUE	RING	CASQUILLO
95	390799X1	[A] M10 X 40	1	HEX. SOCK. SCREW	VIS TETE HEX	ZYLINDERSCHRAUBE	TORN.CAB.HUECA
96	D28380231	[C]	1	WASHER	RONDELLE	SCHEIBE	ARANDELA
97	D40692300	[C]	6	SCREW	VIS	SCHRAUBE	TORNILLO
98	D41990007	[C]	2	BELT	COURROIE	RIEMEN	CORREA
99	D43367400		1	BUSH	BAGUE	RING	CASQUILLO
100	D41705700		2	BALL BEARING	ROULEMENT BILLES	KUGELLAGER	COJINETE DE BOLA
105	D28380313	[A]	1	PULLEY	POULIE	RIEMENSCHLEIBE	POLEA
106	D45232400		1	WASHER	RONDELLE	SCHEIBE	ARANDELA
107	D45403700		1	GASKET	JOINT	FLACHDICHTUNG	JUNTA PLANA
108	D45010092	[D]	2	MAGNET	AIMANT	MAGNET	IMAN
109	D40316400	[D]	2	SCREW METRIC	VIS METRIQUE	SCHRAUBE METR	TORNILLO METRICO
110	D28780967	[D]	1	SENSOR	DETECTEUR	SENSOR	DETECTOR
111	339560X1	[D] M6 X 16	2	HEX. SOCK. SCREW	VIS TETE HEX	ZYLINDERSCHRAUBE	TORN.CAB.HUECA
112	D20400404	[D]	2	WASHER	RONDELLE	SCHEIBE	ARANDELA
113	1441462X1	[D] M6	2	LOCKNUT	ECROU FREIN	SICHERUNGSMUTTER	CONTRATUERCA
114	D28780971	[D]	1	SENSOR	DETECTEUR	SENSOR	DETECTOR
115	D28780772	[D]	1	RETAINER	RETENEUR	HALTERING	RETENEDOR
116	D40740400	[D]	4	SCREW	VIS	SCHRAUBE	TORNILLO
124	D28380229		1	TUBE	TUBE	ROHR	TUBO.
125	3764827M1	M16	1	NUT	ECROU	MUTTER	TUERCA
126	D28385022		1	BEATER	BATTEUR	SCHLAEGER	BATIDOR
127	D28380002		1	PULLEY	POULIE	RIEMENSCHLEIBE	POLEA
128	D41982300		1	KIT, BELT	JEU COURROIES	RIEMENSATZ	CORREAS JUEGO
129	D28180928		1	BRACKET	SUPPORT FIXATION	HALTEAM	SOPORTE
130	339123X1	M8 X 20	2	HEX. SOCK. SCREW	VIS TETE HEX	ZYLINDERSCHRAUBE	TORN.CAB.HUECA
131	D20400506		2	WASHER	RONDELLE	SCHEIBE	ARANDELA
132	D28380170	[A]	1	PULLEY	POULIE	RIEMENSCHLEIBE	POLEA
133	D41982000	[A]	1	KIT, BELT	JEU COURROIES	RIEMENSATZ	CORREAS JUEGO
134	3009507X1	M12 X 35	5	HEX. SOCK. SCREW	VIS TETE HEX	ZYLINDERSCHRAUBE	TORN.CAB.HUECA
135	D28380178		1	DOG	CHIEN	KLAUE	PRISIONERO
136	D28081039	[EB]	1	KIT, SERVICE	KIT SERVICE	WARTUNGSSATZ	JEUGO,SERVICE
137	D28382051	136	1	COUPLING	CRABOT	KUPPLUNG	ACOPLAMIENTO
138	D45211300	137	1	UNION	RACCORD	VERSCHRAUBUNG	RACOR
139	D45272000	137	1	CONNECTOR	BORNE.	DOPPELNIPPEL	CONECTOR
140	D28382050	137	1	PISTON	PISTON	KOLBEN	PISTON
141	D45482900	137	1	O RING	JOINT TORIQUE	O-RING	JUNTA TOROIDAL
142	D44351400	137	1	SPRING	RESSORT	FEDER	MUELLE
143	D28382048	137	1	SHAFT	ARBRE	WELLE	ARBOL
144	1440968X1	137	1	CIRCLIP	CIRCLIP	SEEGERING	GRAPA CIRCULAR
145	D41616400	137	2	BALL BEARING	ROULEMENT BILLES	KUGELLAGER	COJINETE DE BOLA
146	D28710333	137	1	BUSH	BAGUE	RING	CASQUILLO
147	D42500700	137	1	CIRCLIP	CIRCLIP	SEEGERING	GRAPA CIRCULAR
148	D28382052	137	1	SPACER	ENTRETOISE	ABSTANDSTUECK	DISCO ESPACIADOR
149	D45404300	137	1	SEAL	JOINT ETANCHEITE	DICHTRING	JUNTA REDONDA
150	D28382049	137	1	HOUSING	CARTER	GEHAEUSE	ALOJAMIENTO
151	D41648000	137	1	BALL	BILLE	KUGEL	BOLA
152	D44351500	137	1	SPRING	RESSORT	FEDER	MUELLE
153	D28382091	137	1	GUIDE	GUIDE	FUEHRUNG	GUIA
154	D42510600	137	1	CIRCLIP	CIRCLIP	SEEGERING	GRAPA CIRCULAR
155	D28781308	136 [E]	1	WASHER	RONDELLE	SCHEIBE	ARANDELA
156	D28782528	136 [E]	1	WIRING HARNESS	SYSTEME CABLAGE	KABELSTRANG	SISTEMA DE CABLE
157	D28782553	136 [E]	1	TUBE	TUBE	ROHR	TUBO.
158	D45110095	136 [E]	1	PRESSURE VALVE	VALVE	DRUCKVENTIL	VALVULA PRESION
159	D45130046	136 [E]	1	HOSE	DURITE	SCHLAUCH	TUBO DE GOMA
160	D45130078	136 [E]	2	HYDRAULIC HOSE	DURITE HYDRAULIC	HYDRAUL.SCHLAUCH	TUBO HYDRAULICO
161	D45252600	136 [E]	4	UNION	RACCORD	VERSCHRAUBUNG	RACOR
162	D45258000	136 [E]	1	UNION	RACCORD	VERSCHRAUBUNG	RACOR
163*	D45263900	136 [E]	2	UNION	RACCORD	VERSCHRAUBUNG	RACOR
164	D45266900	136 [E]	1	CONNECTOR	BORNE.	DOPPELNIPPEL	CONECTOR
165	D45730600	136 [E]	1	DIVIDER	DIVISEUR	ABTEILER	ASA DESVIADOR
166	D28081021	136 [E]	1	INSTRUCTIONS	INSTRUCTIONS	REP-ANLEITUNG	INSTRUCCIONES

[A] OPTIONAL EQUIPMENT
EQUIPEMENTS ACCESSOIRES
SONDERZUBEHOR
EQUIP. ADITAMENTO

[B] SERVICE KIT IS AVAILABLE FOR COMBINES MANUFACTURED BEFORE COMBINE NO . 58301
KIT SERVICE VALABLE POUR MOISSONEUSES CONSTRUITES AVANT LE NO. 58301
KIT FUER MAHDRESCHER GEBAUT VOR DEN NUMMER 58301
HASTA EL NUMERO 58301

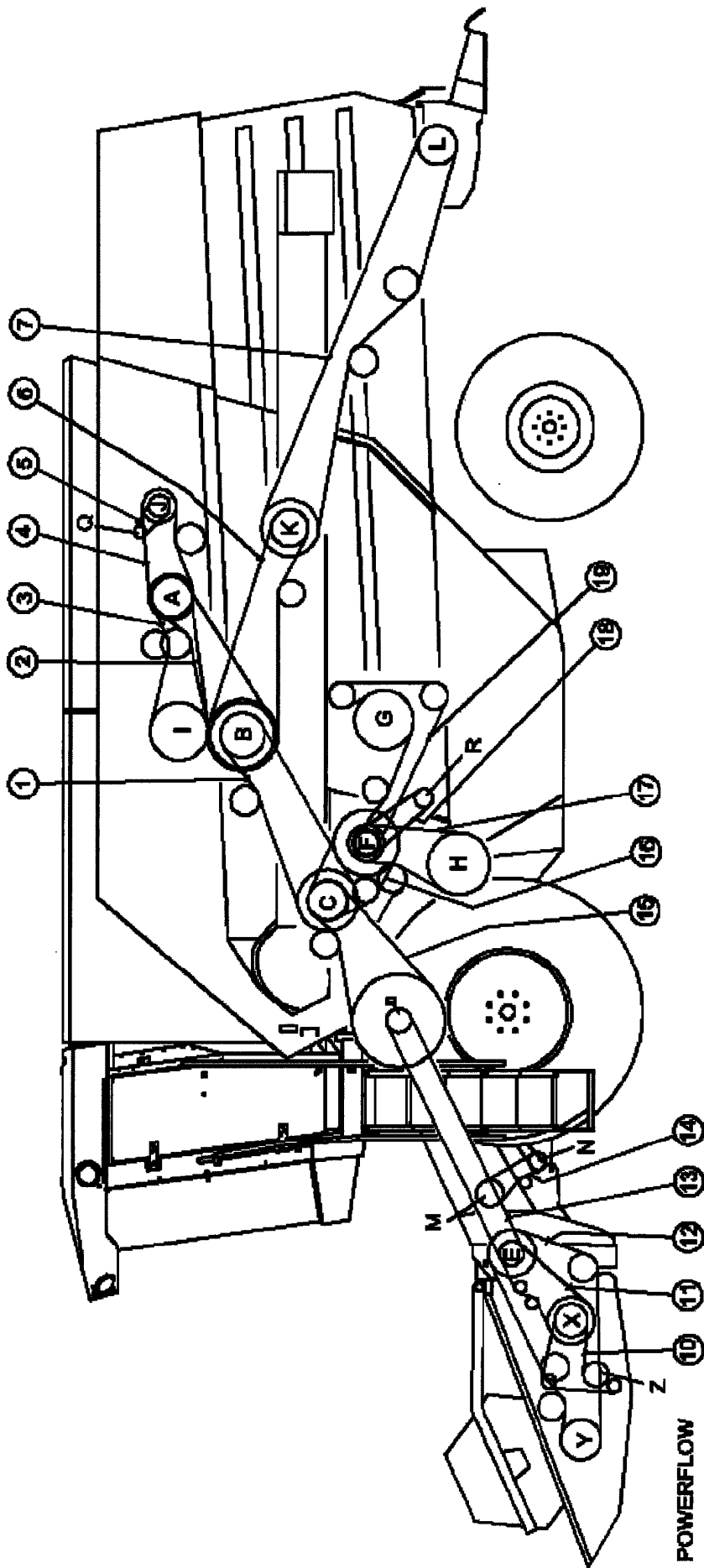
[C] FOR MACHINES WITH GRAIN SEPARATOR
POUR MACHINES AVEC SEPARATEUR ROTATIF
FUER MASCHINEN MIT KAERNERABSCHIEDER
PARA MAQUINAS CON SEPARADO DE GRANO ROTATIVO



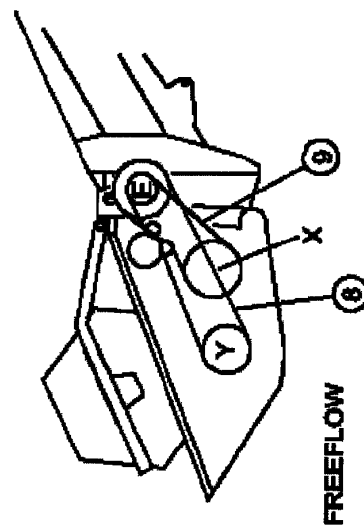
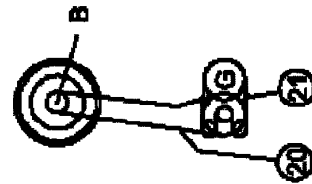
D-AAZB-001-B

[D] OPTIONAL EQUIPMENT STANDARD COMBINE, STANDARD EQUIPMENT AUTO LEVEL COMBINE,SLOPES
EQUIP. ACCESSOIRES MOISSONNEUSE BATTEUSE STAND. - STANDARD EQUIPMENT MOISSONNEUSE-BAT.
AUTO LEVEL
ZONDERZUBEHOR STANDARD MASCHINE, STANDARD AUSRUSTUNG AUTO LEVEL MASCHINE
EQUIPO OPCIONAL,COSECHADORA ESTANDAR EQUIP. - COSECHADORA AUTONIVELACION

[E] NOT ILLUSTRATED
NON ILLUSTRE
NICHT ILLUSTRIRT
NO ILUSTRADO



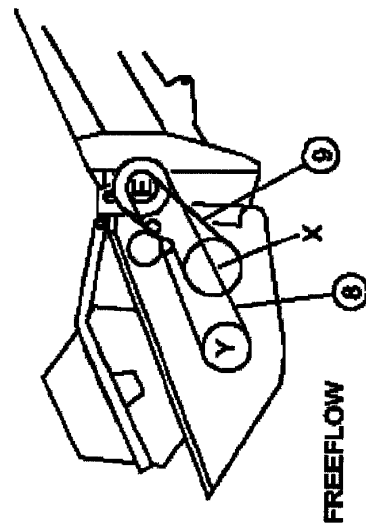
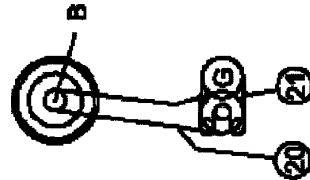
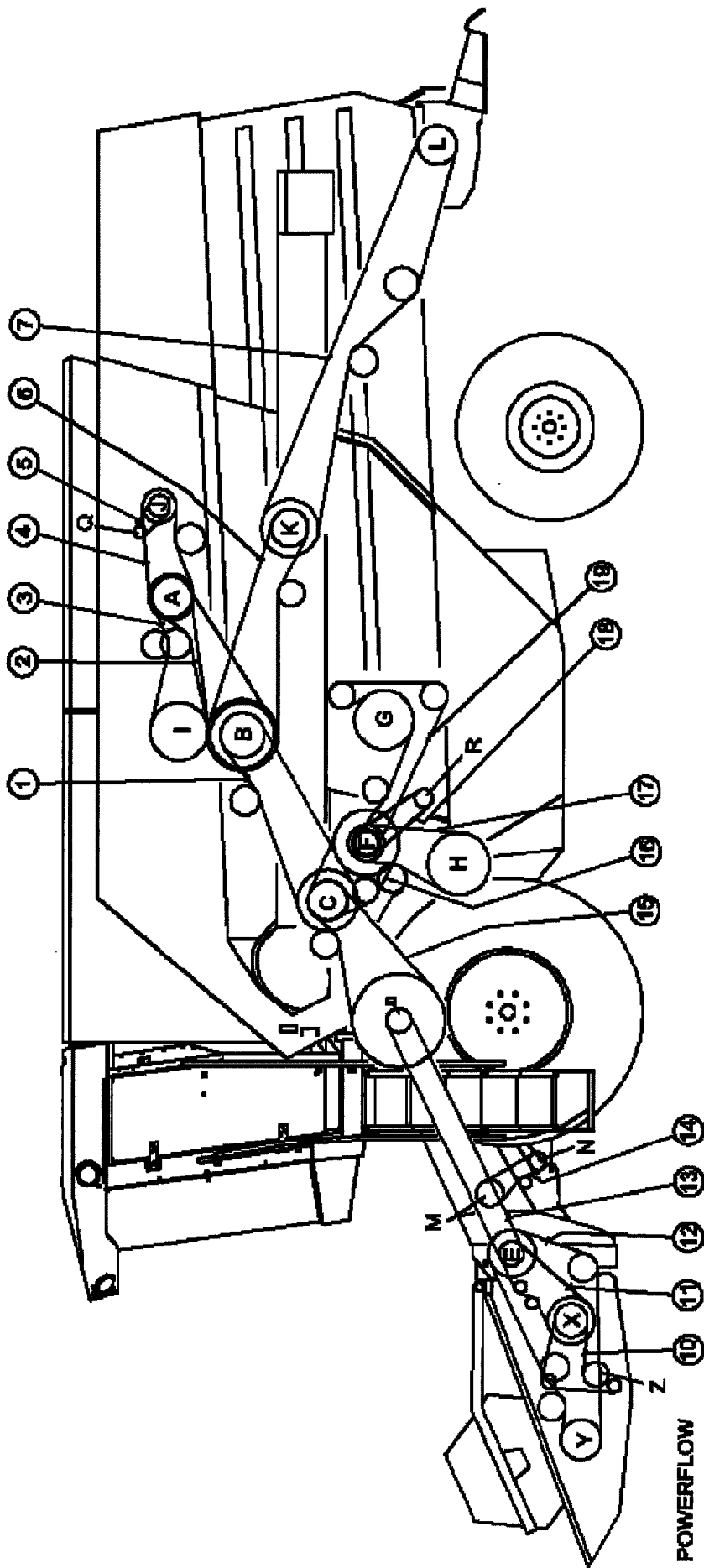
POWERFLOW



FREEFLOW

D-AAZC-009-A

1	D41990059	[BC]	1 BELT	COURROIE	RIEMEN	CORREA
2	D41990064	[AB]	1 BELT	COURROIE	RIEMEN	CORREA
3	D41978100	[AI]	1 V BELT	COURROIE TRAPEZ	KEILRIEMEN	CORREA EN V
4	D41990045	[AJ]	1 BELT	COURROIE	RIEMEN	CORREA
5	D41904200	[JQ]	1 BELT	COURROIE	RIEMEN	CORREA
6	D41979600	[BK]	1 BELT	COURROIE	RIEMEN	CORREA
6	D41990049	[BKN]	1 BELT	COURROIE	RIEMEN	CORREA
7	D41977900	[KLZ]	1 BELT	COURROIE	RIEMEN	CORREA
7	D41978400	[KLN]	1 BELT	COURROIE	RIEMEN	CORREA
8	D41985600	[EY]	1 BELT	COURROIE	RIEMEN	CORREA
9	D42329300	[EX]	1 CHAIN	CHAINE	KETTE	CADENA
10	D42332800	[XZ]	1 CHAIN	CHAINE	KETTE	CADENA
11	D42329200	[XE]	1 CHAIN	CHAINE	KETTE	CADENA
12	D41986300	[EY]	1 V BELT	COURROIE TRAPEZ	KEILRIEMEN	CORREA EN V
13	D42334600	[ED] SET	1 CHAIN	CHAINE	KETTE	CADENA
14	D42339300	[MN]	1 CHAIN	CHAINE	KETTE	CADENA
15	D41979800	[CD]	1 BELT	COURROIE	RIEMEN	CORREA
16	D41990001	[CF]	1 V BELT	COURROIE TRAPEZ	KEILRIEMEN	CORREA EN V
17	D41933900	[FH] SET OF 2	1 KIT, V BELT	JEU COURROIES TR	KEILRIEMENSATZ	JUEGO DE CORREAS
18	D41921700	[RF]	1 BELT	COURROIE	RIEMEN	CORREA
19	D41975300	[FG] SET OF 2	1 BELT	COURROIE	RIEMEN	CORREA
20	D41933700	[BG] SET OF 2	1 KIT, BELT	JEU COURROIES	RIEMENSATZ	CORREAS JUEGO
21	D42328900	[BG]	1 CHAIN	CHAINE	KETTE	CADENA
[A] DIESEL ENGINE MOTEUR DIESEL DIESELMOTOR MOTOR DIESEL						
[B] COUNTER SHAFT ARBRE DE TRANSMISSION VORGELEWELLE ARBOL INTERMEDIO						
[C] REAR BEATER TIRE-PAILLE STROHFOERDERER LANZAPAJAS						
[D] ELEVATOR TOP SHAFT ARBRE SUP. DU CONVOYEUR FOERDERWELLE OBEN ARBOL SUPERIOR DE CADENA DEL ELEVADOR						
[E] COUNTER SHAFT FOR TABLE ARBRE INTERMEDIAIRE POUR TABLE VORGELEGEWELLE TISCH EJE CONDUcido MESA						
[F] COUNTER DRIVE ENTRAINEMENT INTERMEDIAIRE ZWISCHWENANTRIEB TRACCION INTERMEDIA						
[G] FRONT STRAW WALKER CRANK SECOUEURS VILEBREQUINS AVANT STROHSCHUETTLE KURBELN SACUDIDOR DE PAJA CIQUEHALES DELANTE						
[H] SHAKER SHOE DRIVE COMMANDE DE NETTOYAGE REINIGUNGSANTRIEB MANDO CAJA DE ZARANDAS						
[I] COUNTER SHAFT FOR UNLOADING AUGER ARBRE INTERMEDIAIRE POUR TREMIE VORGELEGEWELL SCHNECKE EJE CONDUcido DE LA TOLVA						
[J] HYDROSTATIC PUMP POMPE HYDROSTATIQUE HYDROSTASTISCHENPUMPEN BOMBA HIDROSTATICA						



POWERFLOW

FREEFLOW

D-AAZC-009-A

-
- [K] COUNTER DRIVE FOR CHOPPER
ENTRAINEMENT POUR BROYEUR
ZWISCHENANTRIEB HACKSLER
TRACCION INTERMEDIA PARA PICADORA

 - [L] STRAW CHOPPER
BROYEUR DE PAILLE
STROHHAECKSLER
PICAPAJAS

 - [M] ELEVATOR FRONT SHAFT
ARBRE AVANT DU CONVOYEUR
FOERDERWELLE OBEN
ARBOL DELANTE DE CADENA

 - [N] HYDRAULIC REVERSING
INVERSION HYDRAULIQUE
REVERSIERVORRICHTUNG
INVERSION

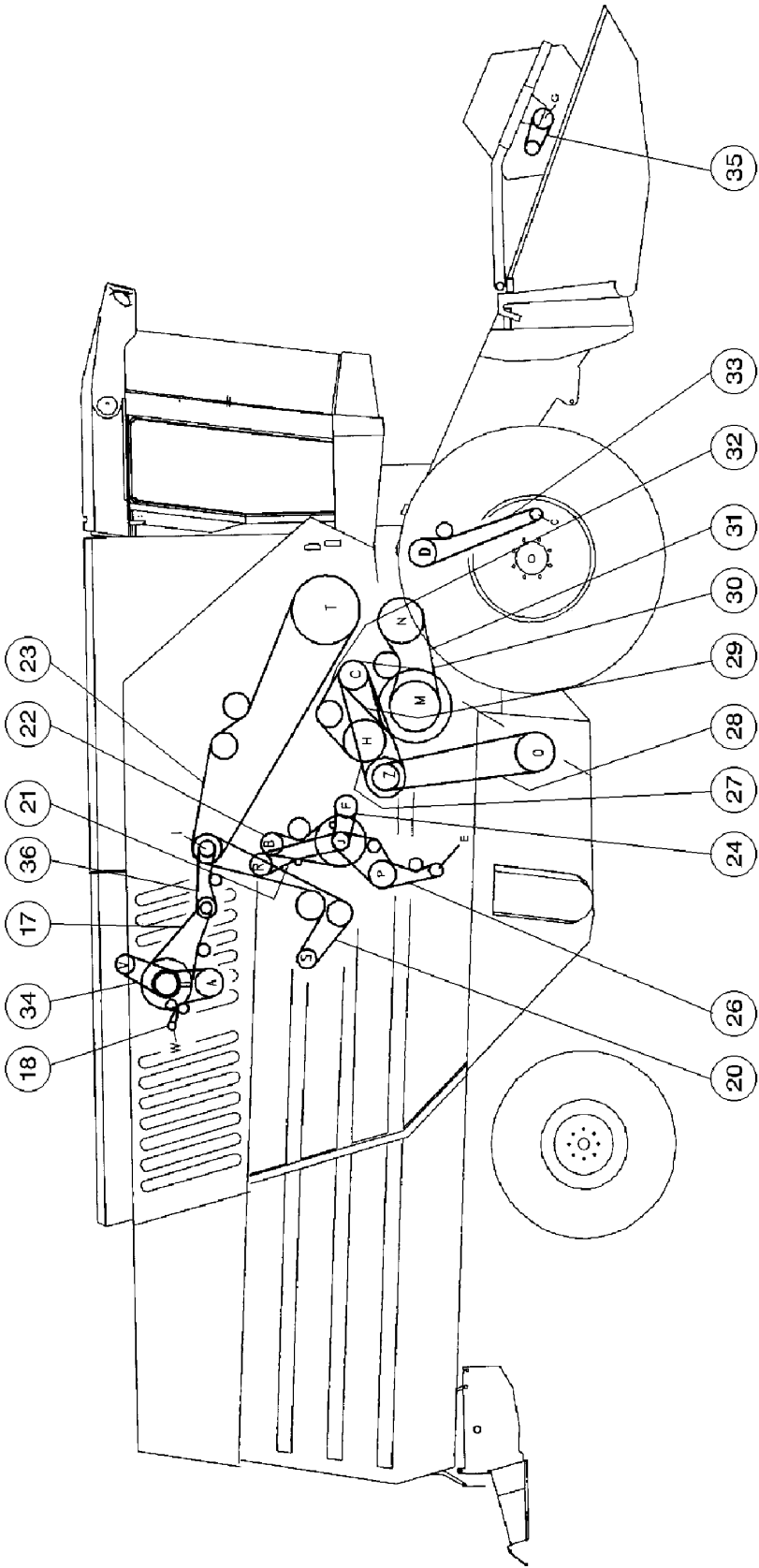
 - [Q] ALTERNATOR FOR VERTICAL KNIFE
ALTERNATEUR POUR LAME VERTICALE
LICHTM.DREHSTROM TRENNMESSER
CUCHILLA LATERA

 - [R] PUMP FOR CHAFF SPREADER
POMPE POUR EPANDEUR DE MENUS PAILLE
PUMPE SPREUVETEILER
POMPA PARA DISTRIBUIDOR DE MENUJOS PARAS

 - [X] TABLE AUGER
VIS D'ALIMENTATION
FOERDERTROMMEL
SINFIN ALIMENTADOR

 - [Y] KNIFE DRIVE
ENTRAINEMENT LAME
MESSERANTRIEB
ACCIONAMIENTO DE CUCHILLAS

 - [Z] POWERFLOW ROLLERS
POWERFLOW ROULEAUX
POWERFLOW ROLLEN
POWERFLOW RODILLOS



D-AAZD-014-A

17	D41990019	[U]	1	V BELT	COURROIE TRAPEZ	KEILRIEMEN	CORREA EN V
18	D41900200	[AW]	1	BELT	COURROIE	RIEMEN	CORREA
20	D41939300	[S]	1	BELT	COURROIE	RIEMEN	CORREA
21	D42325100	[RJ]	1	CHAIN	CHAINE	KETTE	CADENA
21	D42328600	[PRJ]	1	CHAIN	CHAINE	KETTE	CADENA
22	D41929000	[BE]	2	V BELT	COURROIE TRAPEZ	KEILRIEMEN	CORREA EN V
23	D41978800	[IT]	1	BELT	COURROIE	RIEMEN	CORREA
24	D42326200	[FJ]	1	CHAIN	CHAINE	KETTE	CADENA
26	D42328100	[AWXZ]	1	CHAIN	CHAINE	KETTE	CADENA
27	D41981200	[CZ]	1	BELT	COURROIE	RIEMEN	CORREA
28	D41981100	[OZ]	1	BELT	COURROIE	RIEMEN	CORREA
28	D41981400	[ZOLQ]	1	V BELT	COURROIE TRAPEZ	KEILRIEMEN	CORREA EN V
29	D41980500	[CM]	1	BELT	COURROIE	RIEMEN	CORREA
30	D41982300	[MN]	1	KIT, BELT	JEU COURROIES	RIEMENSATZ	CORREAS JUEGO
		SET					
31	D41982000	[MNLQ]	1	KIT, BELT	JEU COURROIES	RIEMENSATZ	CORREAS JUEGO
		SET					
32	D41990007	[CH]	1	BELT	COURROIE	RIEMEN	CORREA
		SET					
33	D42333300	[DK]	1	CHAIN	CHAINE	KETTE	CADENA
34	D41990027	[V]	1	BELT	COURROIE	RIEMEN	CORREA
35	D42325700	[G]	1	CHAIN	CHAINE	KETTE	CADENA
36	D28786813	[I]	1	BELT	COURROIE	RIEMEN	CORREA

[A] DIESEL ENGINE
MOTEUR DIESEL
DIESELMOTOR
MOTOR DIESEL

[B] COUNTER SHAFT
ARBRE DE TRANSMISSION
VORGELEWELLE
ARBOL INTERMEDIO

[C] REAR BEATER
TIRE-PAILLE
STROHFOERDERER
LANZAPAJAS

[D] UPPER FEEDER SHAFT
ARBRE SUPERIEUR CONVOYEUR
OBERE FOERDERWELLE
EJE TRANSPORTADOR SUPERIOR

[E] RETURN THRESHER
BATTEUR A OTONS
UEBERKEHR-DRESCHER
RETRILLA

[F] FILLING AUGER
VIS DE REMPLISSAGE
FUELLSCHNECKE
SINFIN ALIMENTADOR

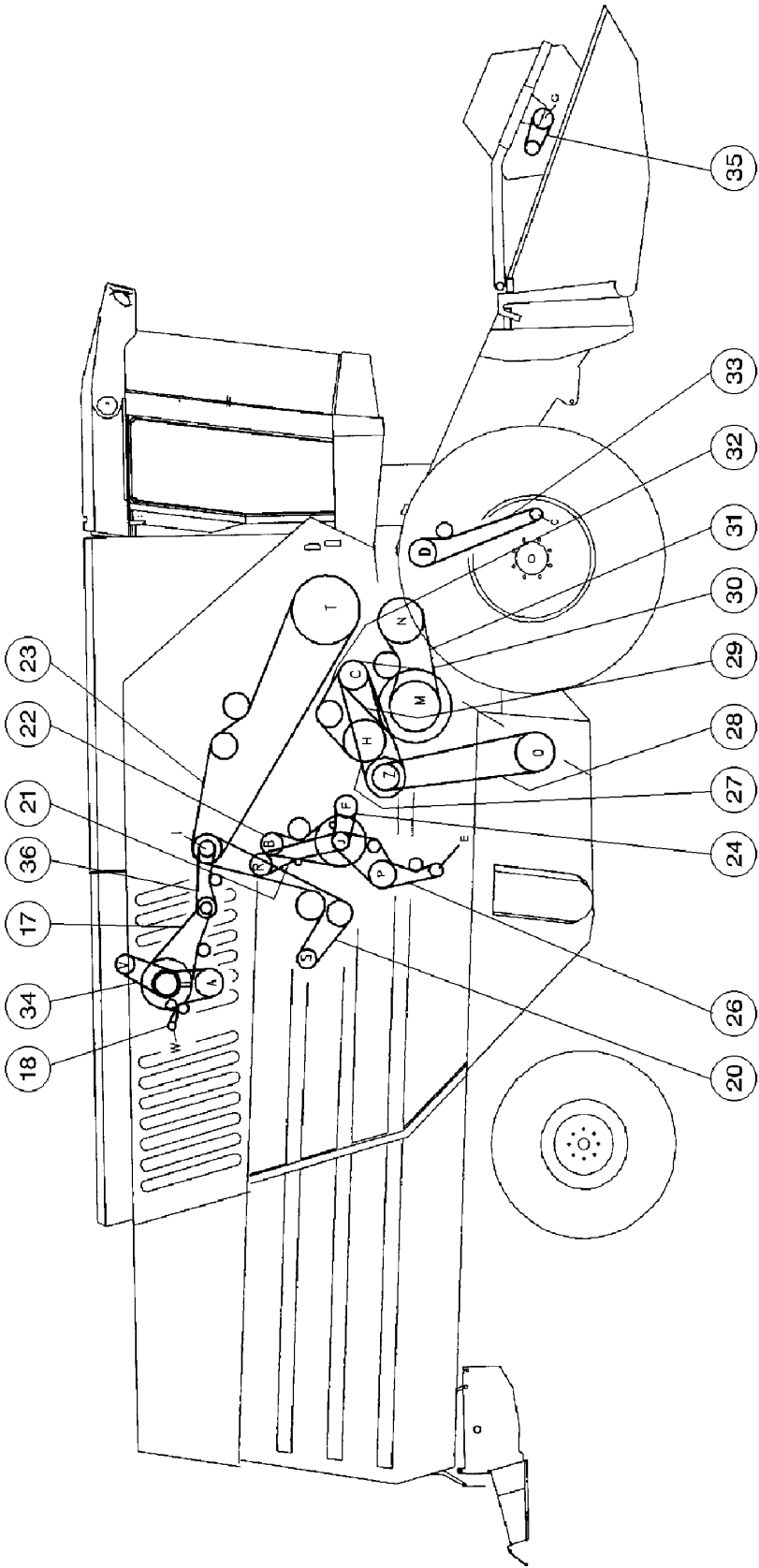
[G] REEL DRIVE
TRANSMISSION POUR RABATTEURS
HASPELANTRIEB
MOLINETE

[H] GRAIN SEPARATOR
SEPARATEUR ROTATIF
KOERNERABSCHIEDER
DESGRANADOR

[I] DISCHARGE AUGER SHAFT
ARBRE VIS DE VIDANGE
ENTLEERUNGS-SCHNECKENWELLE
EJE DEL SINFIN DE DESCARGA

[J] COUNTER DRIVE F. FILL ELEVATOR
ENTRAINEMENT INT. ELEVATEUR DE REMPLISSAGE
ZWISCHENANTRIEB F. FUELLELEVATOR
TRACCION INTERMEDIA PARA EL ELEVADOR ALIMENTADOR

[K] ELECTRIC REVERSING
INVERSEUR ELECTRIQUE
EL-REVERSIERUNG
INVERSION ELECTRICA



D-AAZD-014-A

-
- [L] REDUCED MAIN FAN SPEED
KIT VITESSE LENTE BROYEUR
REDUZ. GEBLAESEUMDR
JUEGO REDUCTOR VELOCI. PICIPAJA

 - [M] COUNTER DRIVE, VARIATOR
ENTRAINEMENT INTERMEDIAIRE, VARIATEUR
ZWISCHWENANTRIEB, VARIATOR
TRACCION INTERMEDIA, VARIADOR

 - [N] THRESHING DRUM
BATTEUR
DRESCHTROMMEL
CILINDRO DE LA TRILLA

 - [O] MAIN FAN
VENTILATEUR
GEBLAESE
VENTILADOR DE LAS CRIBAS

 - [P] INCREASED REVOLUTIONS
AUGMENTATION AJUSTEMENT VITESSE
ERHOHTE UMDREHUNGEN
CRECIENTE AJUSTE VELOCIDAD

 - [Q] REDUCED REVOLUTIONS
REDUCTION AJUSTEMENT VITESSE
REDUZIERTE UMDREHUNGEN
REDUCCION AJUSTE VELOCIDAD

 - [R] FILL ELEVATOR
ELEVATEUR DE REMPLISSAGE
FUELLELEVATOR
ELEVADOR ALIMENTADOR

 - [S] DUST EXTRACTOR
ASPIRATEUR
STAUBSAUGER
ASPIRADOR DE POLVO

 - [T] DISCHARGE AUGER
VIS DE VIDANGE
ENTLEERUNGSSCNECKE
SINFIN DE DESCARGA

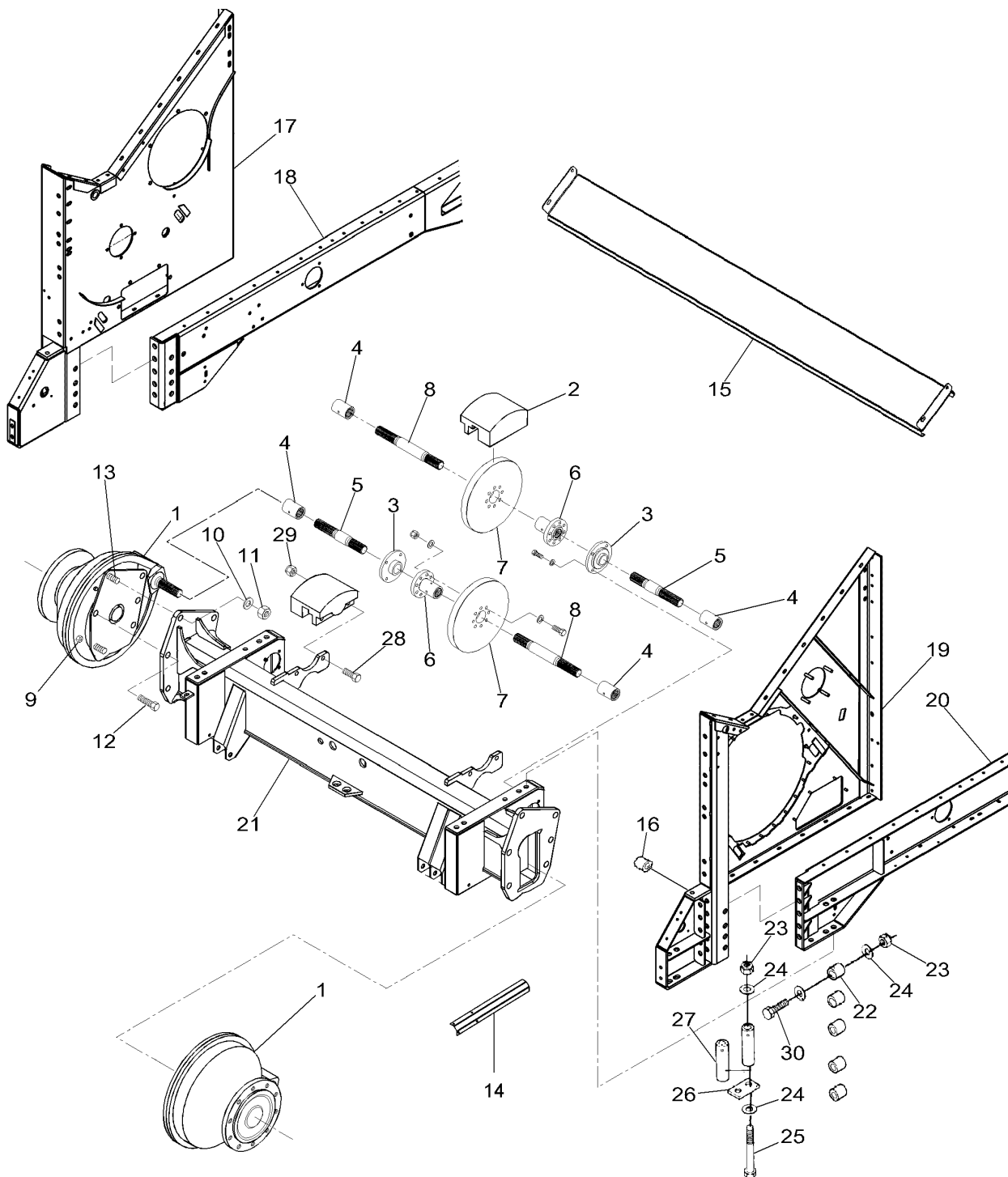
 - [U] TO BE USED WITH D28285107 WHEN HARVESTING MAIZE
UTILISER AVEC D28285107 POUR MAIS
MIT D28285107 BEI MAISERNTEN ZU VERWENDEN
UTILISAR CON D28285107 PARA MAIZ

 - [V] AIR CONDITIONED
AIR CONDITIONNE
KLIMAAANLAGE
AIRE ACONDICIONADO

 - [W] ALTERNATOR
ALTERNATEUR
GENERATEUR
ALTERNADOR

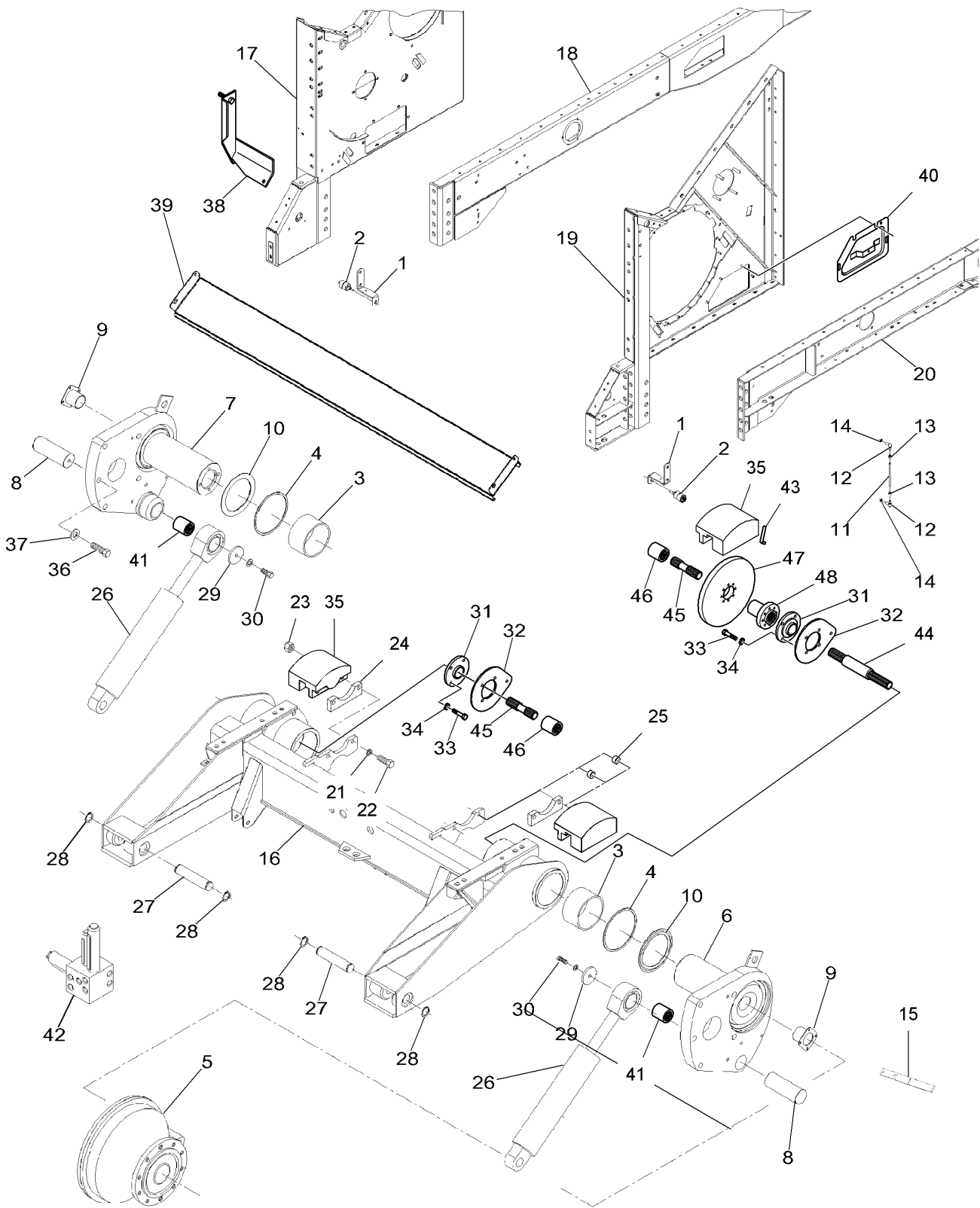
 - [X] INTERMEDIARY FEEDER SHAFT
ARBRE INTERMEDIAIRE DE CONVOYEUR
ZWISCHENFOERDERWELLE
ARBOL SECUNDARIO DEL TRANSPORTADOR

 - [Z] MAIN FAN VARIATOR
VARIATEUR DE VENTILATEUR
GEBLAESEVARIATOR
VARIADOR DEL VENTILADOR DE LAS CRIBAS



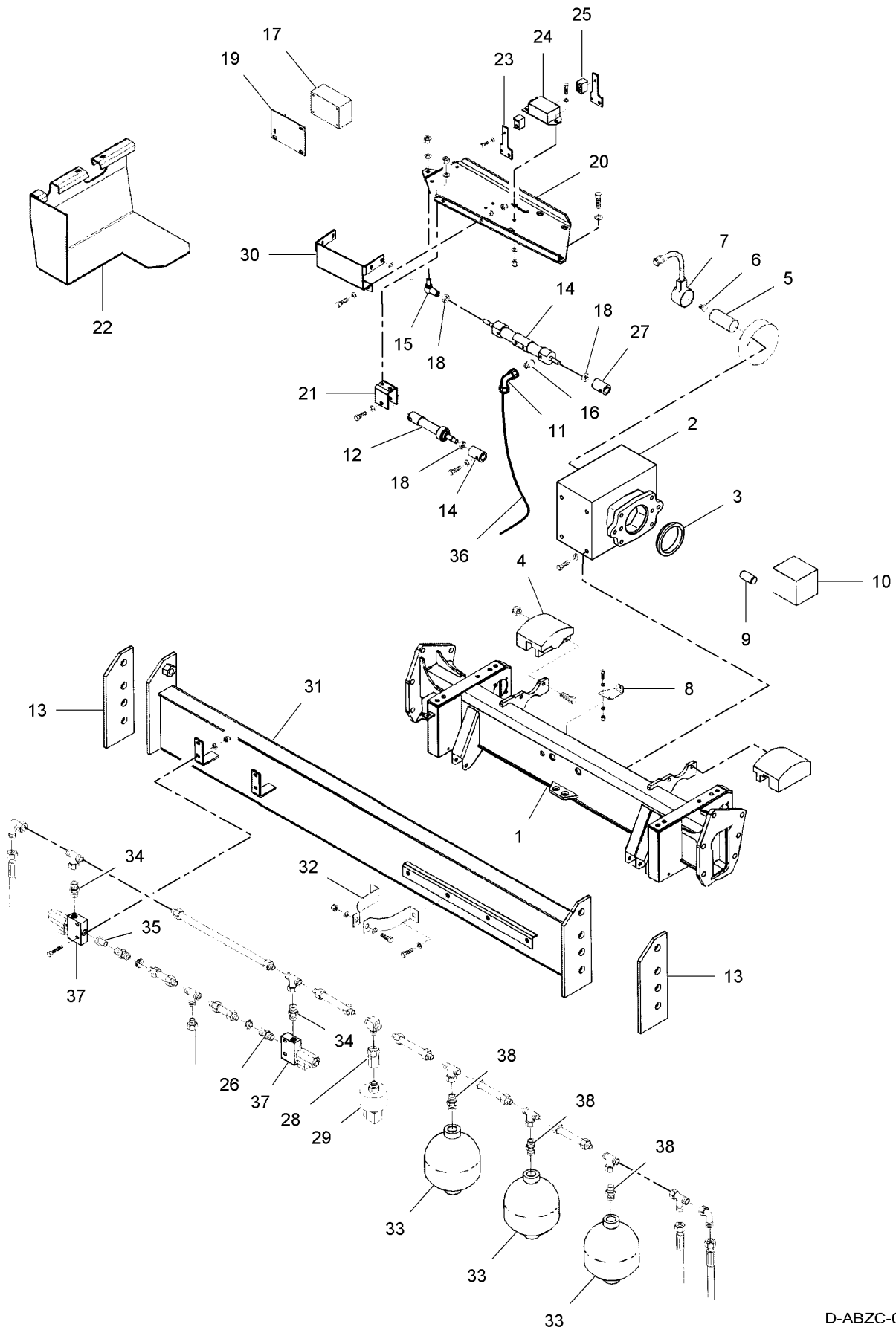
D-ABZV-002-C

1*D46140066		2 FINAL DRIVE	REDUCTION FINALE	ENDANTRIEB	REDUCCION FINAL
1*D46140073	➔ 61933	2 FINAL DRIVE	REDUCTION FINALE	ENDANTRIEB	REDUCCION FINAL
2 D46140016		2 KIT, BRAKE	JEU FREIN	BREMSENSATZ	FRENOS JUEGO
3 D41715000		2 BEARING	COUSSINET	LAGER	COJINETE
4 D46149400		4 CONNECTOR	BORNE.	DOPPELNIPPEL	CONECTOR
5 D28185365		2 COUNTER SHAFT	ARBRE DE RENVOI	TRANSMIS.WELLE	CONTRAEJE
6 D28185289		2 HUB	MOYEU	NABE	CUBO
7 D46140069		2 BRAKE DISC	DISQUE DE FREIN	BREMSSCHEIBE	DISCO DE FRENO
8 D28186178		2 COUNTER SHAFT	ARBRE DE RENVOI	TRANSMIS.WELLE	CONTRAEJE
9 D46116600		2 VENT	EVENT	VENTILATION	TOMA DE AIRE
10 D46140096		12 WASHER	RONDELLE	SCHEIBE	ARANDELA
11 D46140095		2 NUT	ECROU	MUTTER	TUERCA
12 D46140094		4 BOLT	BOULON	BOLZEN	BULON
13 D46140097		2 STUD	GOUJON	STEBOLZEN	ESPARRAGO ROSCA.
14 D28185600		1 PLATE	PLAQUE	PLATTE	PLATO
15 D28186144		1 PLATE	PLAQUE	PLATTE	PLATO
16 D28185628		4 SPACER	ENTRETOISE	ABSTANDSTUECK	DISCO ESPACIADOR
17 D28186141	▶	1 SIDE	COTE	SEITEN	LATERAL
18 D28181859		1 SIDE	COTE	SEITEN	LATERAL
19 D28185911	◀	1 PLATE	PLAQUE	PLATTE	PLATO
20 D28181858		1 SIDE	COTE	SEITEN	LATERAL
21 D28186625		1 FRONT AXLE	ESSIEU AVANT	VORDERACHSE	EJE DELANTERO
22 D28180088		10 SPACER	ENTRETOISE	ABSTANDSTUECK	DISCO ESPACIADOR
23 3010067X1	M20	X LOCKNUT	ECROU FREIN	SICHERUNGSMUTTER	CONTRATUERCA
24 D20400437		X WASHER	RONDELLE	SCHEIBE	ARANDELA
25 D40437800		X SCREW	VIS	SCHRAUBE	TORNILLO
26 D28181161		2 BRACKET	SUPPORT FIXATION	HALTEAM	SOPORTE
27 D28180058		4 PIPE	TUYAU	TUBE	TUBO
28 D40437300	M20 X 65	4 HEX. SOCK. SCREW	VIS TETE HEX	ZYLINDERSCHRAUBE	TORN.CAB.HUECA
29 3009747X1	M20	4 NUT	ECROU	MUTTER	TUERCA
30*D40437200		1 SCREW	VIS	SCHRAUBE	TORNILLO



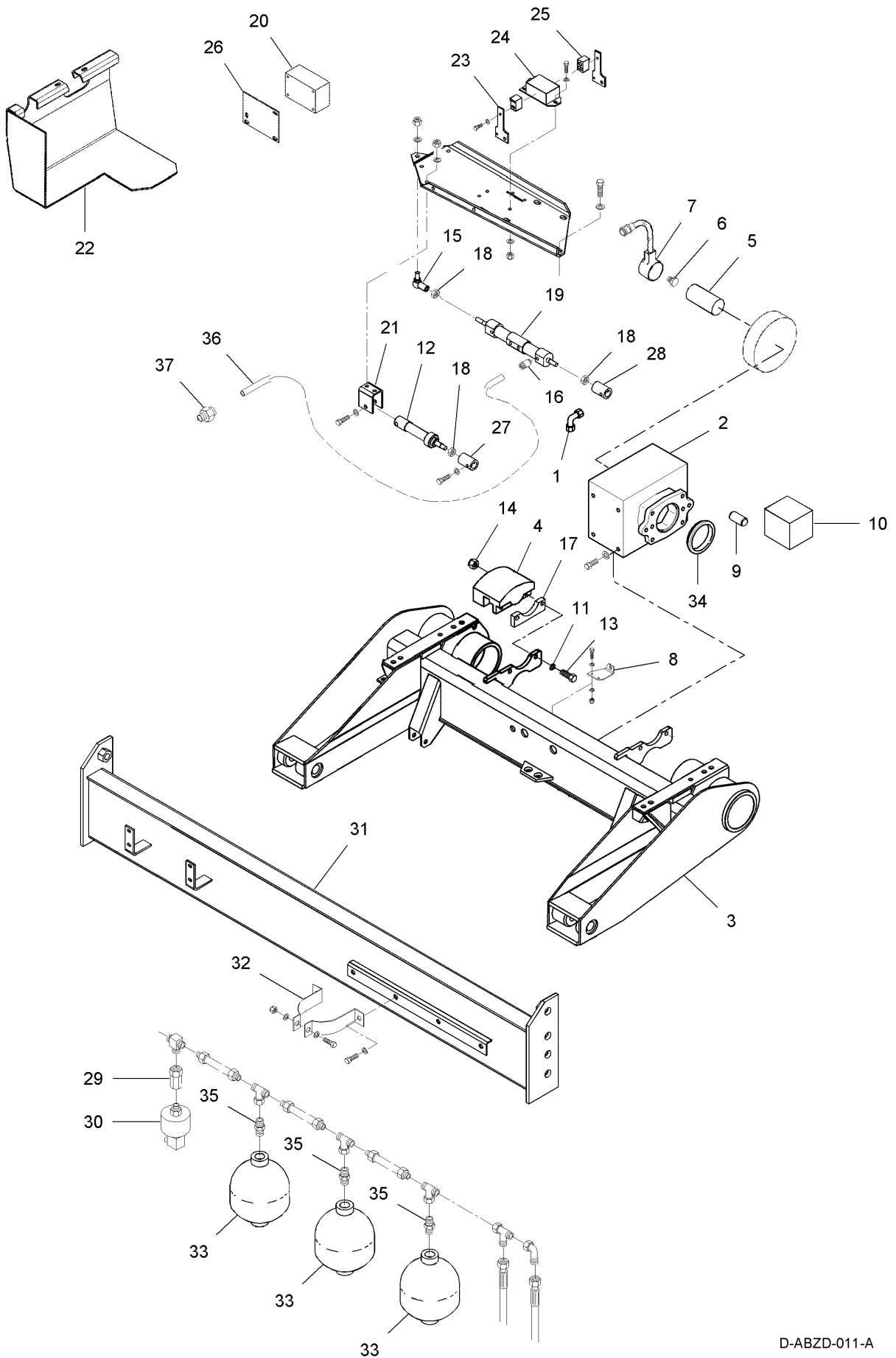
D-ABZW-002-C

1	D28185689		2	SUPPORT	SUPPORT	TRAGER	SOPORTE
2	D28780523		2	POTENTIOMETER	POTENTIOMETRE	POTENTIOMETER	REGULADOR ELECT.
3	D43338500		6	CASING	COFFRAGE	FASSUNG	ENCOFRADO
4	D45479600		4	RING	ANNEAU	RING.	ANILLO
5*	D46140066		1	FINAL DRIVE	REDUCTION FINALE	ENDANTRIEB	REDUCCION FINAL
5*	D46140073	➔ 61933	1	FINAL DRIVE	REDUCTION FINALE	ENDANTRIEB	REDUCCION FINAL
6	D28185641		1	FINAL DRIVE	REDUCTION FINALE	ENDANTRIEB	REDUCCION FINAL
7	D28185640		1	FINAL DRIVE	REDUCTION FINALE	ENDANTRIEB	REDUCCION FINAL
8	D28185645		2	PIN	GOUPILLE	STIFT	PASADOR
9	D28185690		2	SEAL	JOINT ETANCHEITE	DICHTRING	JUNTA REDONDA
10	D28181652		2	SPACER	ENTRETOISE	ABSTANDSTUECK	DISCO ESPACIADOR
11	D28780446		2	ROD	TRINGLE	STANGE	VARILLA
12	D46437300		4	TOGGLE	ROTULE	GELENKZAPPEN	ROTULA
13	D41010600	M6	2	NUT	ECROU	MUTTER	TUERCA
14	D20400453		2	WASHER	RONDELLE	SCHEIBE	ARANDELA
15	D28185696		1	SCRAPER	RACLETTE	KRATZER	PALETA
16	D28186624		1	SHAFT	ARBRE	WELLE	ARBOL
17	D28186141		1	SIDE	COTE	SEITEN	LATERAL
18	D28181859	▶	1	SIDE	COTE	SEITEN	LATERAL
19	D28185911	◀	1	PLATE	PLAQUE	PLATTE	PLATO
20	D28181858		1	SIDE	COTE	SEITEN	LATERAL
21	D20400438		8	WASHER	RONDELLE	SCHEIBE	ARANDELA
22	D40437200		4	SCREW	VIS	SCHRAUBE	TORNILLO
23	3010067X1	M20	4	LOCKNUT	ECROU FREIN	SICHERUNGSMUTTER	CONTRATUERCA
24	D28186254		2	SPACER	ENTRETOISE	ABSTANDSTUECK	DISCO ESPACIADOR
25	D28180059		2	PIPE	TUYAU	TUBE	TUBO
26	D45100026		2	CYLINDER	CYLINDRE	ZYLINDER	CILINDRO
27	D28181647		2	BOLT	BOULON	BOLZEN	BULON
28	391129X1		4	CIRCLIP	CIRCLIP	SEEGERING	GRAPA CIRCULAR
29	D28750882		2	WASHER	RONDELLE	SCHEIBE	ARANDELA
30	391889X1	M16 X 70	2	HEX. SOCK. SCREW	VIS TETE HEX	ZYLINDERSCHRAUBE	TORN.CAB.HUECA
31	D28185694		2	BEARING CARRIER	PALIER	LAGER GEHAEUSE	COJINETE APOYO
32	D28185673		2	WASHER	RONDELLE	SCHEIBE	ARANDELA
33	D40431900		8	SCREW	VIS	SCHRAUBE	TORNILLO
34	D20400428		16	WASHER	RONDELLE	SCHEIBE	ARANDELA
35	D46140016		2	KIT, BRAKE	JEU FREIN	BREMSENSATZ	FRENOS JUEGO
36*	D40449900		5	SCREW	VIS	SCHRAUBE	TORNILLO
37	D41102000		4	SPRING	RESSORT	FEDER	MUELLE
38	D28284574		1	BRACKET	SUPPORT FIXATION	HALTEAM	SOPORTE
39	D28186144		1	PLATE	PLAQUE	PLATTE	PLATO
40	D28185626		1	COVER	COUVERCLE	ABDECKUNG.	CUBIERTA
41	D45699100		2	BUSH	BAGUE	RING	CASQUILLO
42	D41100094		1	HYDR. PLUG	PRISE HYDRAULIQU	GER.STECKER	HYDR. PLUG
43	D28780845		1	ROD	TRINGLE	STANGE	VARILLA
44	D28185363		1	COUNTER SHAFT	ARBRE DE RENVOI	TRANSMIS.WELLE	CONTRAEJE
45	D28186179		2	COUNTER SHAFT	ARBRE DE RENVOI	TRANSMIS.WELLE	CONTRAEJE
46	D46149400		2	CONNECTOR	BORNE.	DOPPELNIPPEL	CONECTOR
47	D46140069		1	BRAKE DISC	DISQUE DE FREIN	BREMSSCHEIBE	DISCO DE FRENO
48	D28185289		1	HUB	MOYEU	NABE	CUBO



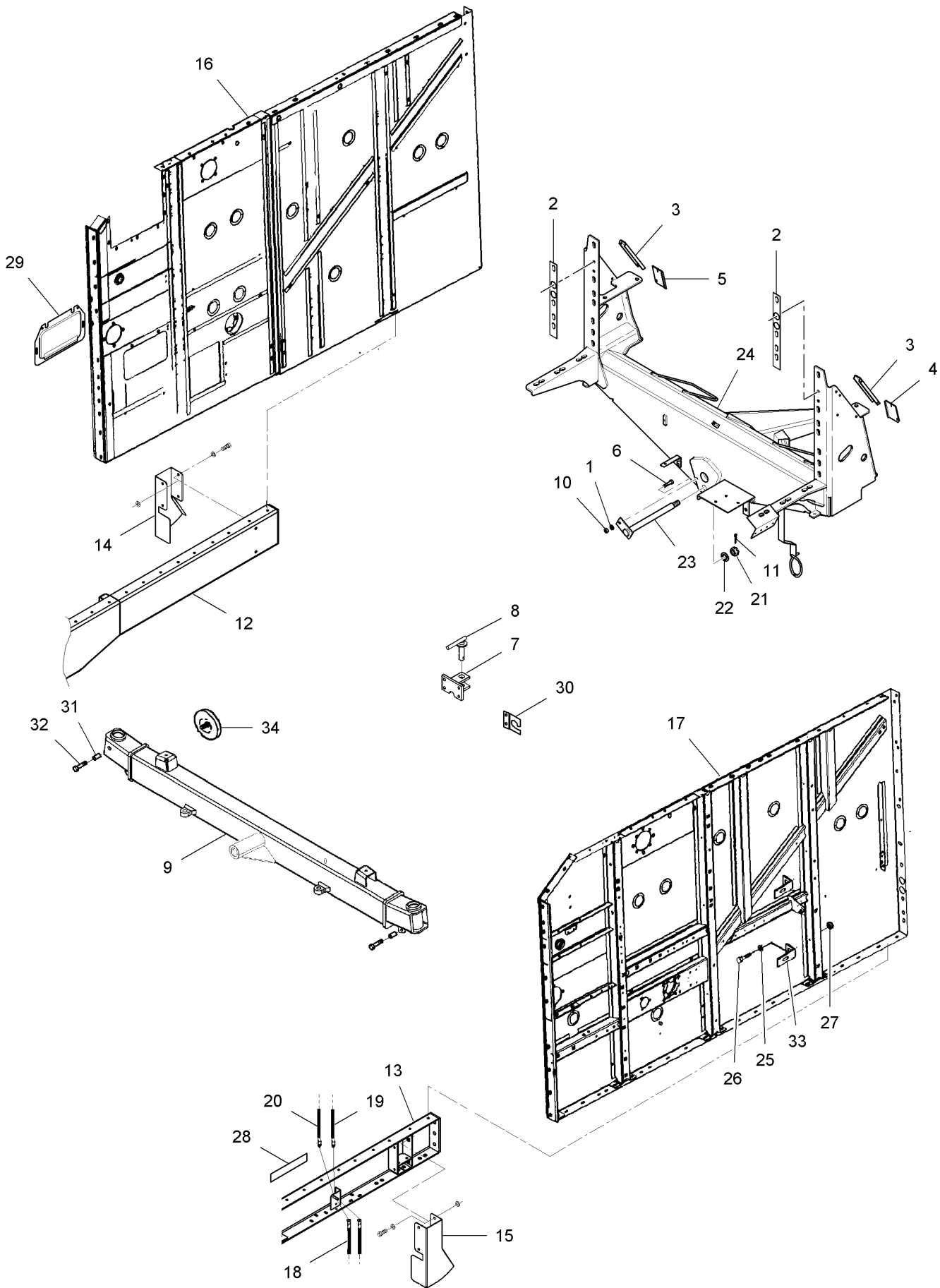
D-ABZC-012-A

1	D28185312	1	SHAFT	ARBRE	WELLE	ARBOL
2	D46140058	1	GEARBOX	BOITE VITESSES	GETRIEBE	CAJA VELOCIDADES
3	D28185936	1	RING	ANNEAU	RING.	ANILLO
4	D46140016	2	KIT, BRAKE	JEU FREIN	BREMSENSATZ	FRENOS JUEGO
5	D28186503	1	GUARD	GARDE	SCHUTZVORR	DEFENSA
6	D28780516	1	INDUCTIVE SENSOR	CAPTEUR INDUCTIF	INDUKT EMPFANGER	CAPTADOR INDUCTI
7	D28780514	1	SENSOR	DETECTEUR	SENSOR	DETECTOR
8	D28186505	1	BRACKET	SUPPORT FIXATION	HALTEAM	SOPORTE
9	D46140078		CONNECTOR	BORNE.	DOPPELNIPPEL	CONECTOR
10	D45165100	1	HYDRAULIC MOTOR	MOTEUR HYDRAULIC	HYDRAULIK MOTOR	MOTOR HIDRAULICO
11	D28780988	2	PIPE,OIL	TUYAU HYDRAULI.	OELLEITUNG	MANGUITO ACEITE
12	D45140010	1	CYLINDER	CYLINDRE	ZYLINDER	CILINDRO
13	D28185096	2	PLATE	PLAQUE	PLATTE	PLATO
14	D28182364	1	ADAPTOR	ADAPTATEUR	REDUZIERNIPPEL	ADAPTADOR
15	D46436200	1	TOGGLE	ROTULE	GELENKZAPPEN	ROTULA
16	D45258000	6	UNION	RACCORD	VERSCHRAUBUNG	RACOR
17	D45120027	1	BLOCK	BLOC	BLOCK	BLOQUE
17	D45252800	8	UNION	RACCORD	VERSCHRAUBUNG	RACOR
18	D41012000	3	NUT	ECROU	MUTTER	TUERCA
19	D28182368	1	CONSOLE	CONSOLE	KONSOLE	CONSOLA
20	D28182366	1	BRACKET	SUPPORT FIXATION	HALTEAM	SOPORTE
21	D28182381	1	BRACKET	SUPPORT FIXATION	HALTEAM	SOPORTE
22	D28186504	1	SENSOR	DETECTEUR	SENSOR	DETECTOR
23	D28185674	2	BRACKET	SUPPORT FIXATION	HALTEAM	SOPORTE
24	D28785685	1	SENSOR	DETECTEUR	SENSOR	DETECTOR
25	D28785689	2	MAGNET	AIMANT	MAGNET	IMAN
26	D45255200	2	CONNECTOR	BORNE.	DOPPELNIPPEL	CONECTOR
27	D28185108	1	ADAPTOR	ADAPTATEUR	REDUZIERNIPPEL	ADAPTADOR
28	D45277000	1	CONNECTOR	BORNE.	DOPPELNIPPEL	CONECTOR
29	D28781255	1	SENSOR	DETECTEUR	SENSOR	DETECTOR
30	D28185173	1	BRACKET	SUPPORT FIXATION	HALTEAM	SOPORTE
31	D28185090	1	PROFILE	PROFIL	PROFIL	PERFIL
32	D28752408	6	SUPPORT	SUPPORT	TRAGER	SOPORTE
33	D45100300	3	ACCUMULATOR	ACCUMULATEUR	AKKUMULATOR	ACUMULADOR
34	D45250800	2	UNION	RACCORD	VERSCHRAUBUNG	RACOR
35	D28780319	1	WASHER	RONDELLE	SCHEIBE	ARANDELA
36	D45130076	6	HYDR. HOSE	FLEXIBLE	HYDR. SCHLAUCH	TUBO HIDRAULICO
37	D45110054	2	VALVE	SOUPAPE	VENTIL	VALVULA
38	D45250500	3	UNION	RACCORD	VERSCHRAUBUNG	RACOR



D-ABZD-011-A

1	D28780988		2	PIPE,OIL	TUYAU HYDRAULI.	OELLEITUNG	MANGUITO ACEITE
2	D46140058		1	GEARBOX	BOITE VITESSES	GETRIEBE	CAJA VELOCIDADES
3	D28186624		1	SHAFT	ARBRE	WELLE	ARBOL
4	D46140016		2	KIT, BRAKE	JEU FREIN	BREMSENSATZ	FRENOS JUEGO
5	D28186503		1	GUARD	GARDE	SCHUTZVORR	DEFENSA
6	D28780516		1	INDUCTIVE SENSOR	CAPTEUR INDUCTIF	INDUKT EMPFANGER	CAPTADOR INDUCTI
7	D28780514		1	SENSOR	DETECTEUR	SENSOR	DETECTOR
8	D28185614		1	BRACKET	SUPPORT FIXATION	HALTEARM	SOPORTE
9	D46140078		1	CONNECTOR	BORNE.	DOPPELNIPPEL	CONECTOR
10	D45165100		1	HYDRAULIC MOTOR	MOTEUR HYDRAULIC	HYDRAULIK MOTOR	MOTOR HIDRAULICO
11	D20400438		4	WASHER	RONDELLE	SCHEIBE	ARANDELA
12	D45140010		1	CYLINDER	CYLINDRE	ZYLINDER	CILINDRO
13	D40437200		4	SCREW	VIS	SCHRAUBE	TORNILLO
14	3010067X1	M20	4	LOCKNUT	ECROU FREIN	SICHERUNGSMUTTER	CONTRATUERCA
15	D46436200		1	TOGGLE	ROTULE	GELENKZAPPEN	ROTULA
16	D45258000		6	UNION	RACCORD	VERSCHRAUBUNG	RACOR
17	D28186254		2	SPACER	ENTRETOISE	ABSTANDSTUECK	DISCO ESPACIADOR
18	D41012000		3	NUT	ECROU	MUTTER	TUERCA
19	D45140009		1	CYLINDER	CYLINDRE	ZYLINDER	CILINDRO
20	D45120027		1	BLOCK	BLOC	BLOCK	BLOQUE
21	D28182381		1	BRACKET	SUPPORT FIXATION	HALTEARM	SOPORTE
22	D28186504		1	SENSOR	DETECTEUR	SENSOR	DETECTOR
23	D28185674		2	BRACKET	SUPPORT FIXATION	HALTEARM	SOPORTE
24	D28785685		1	SENSOR	DETECTEUR	SENSOR	DETECTOR
25	D28785689		2	MAGNET	AIMANT	MAGNET	IMAN
26	D28182368		1	CONSOLE	CONSOLE	KONSOLE	CONSOLA
27	D28182364		1	ADAPTOR	ADAPTATEUR	REDUZIERNIPPEL	ADAPTADOR
28	D28185108		1	ADAPTOR	ADAPTATEUR	REDUZIERNIPPEL	ADAPTADOR
29	D45277000		1	CONNECTOR	BORNE.	DOPPELNIPPEL	CONECTOR
30	D28781255		1	SENSOR	DETECTEUR	SENSOR	DETECTOR
31	D28185090		1	PROFILE	PROFIL	PROFIL	PERFIL
32	D28752408		6	SUPPORT	SUPPORT	TRAGER	SOPORTE
33	D45100300		3	ACCUMULATOR	ACCUMULATEUR	AKKUMULATOR	ACUMULADOR
34	D28185936		1	RING	ANNEAU	RING.	ANILLO
35	D45250500		3	UNION	RACCORD	VERSCHRAUBUNG	RACOR
36	D45130076		6	HYDR. HOSE	FLEXIBLE	HYDR. SCHLAUCH	TUBO HIDRAULICO
37	D45252800		6	UNION	RACCORD	VERSCHRAUBUNG	RACOR

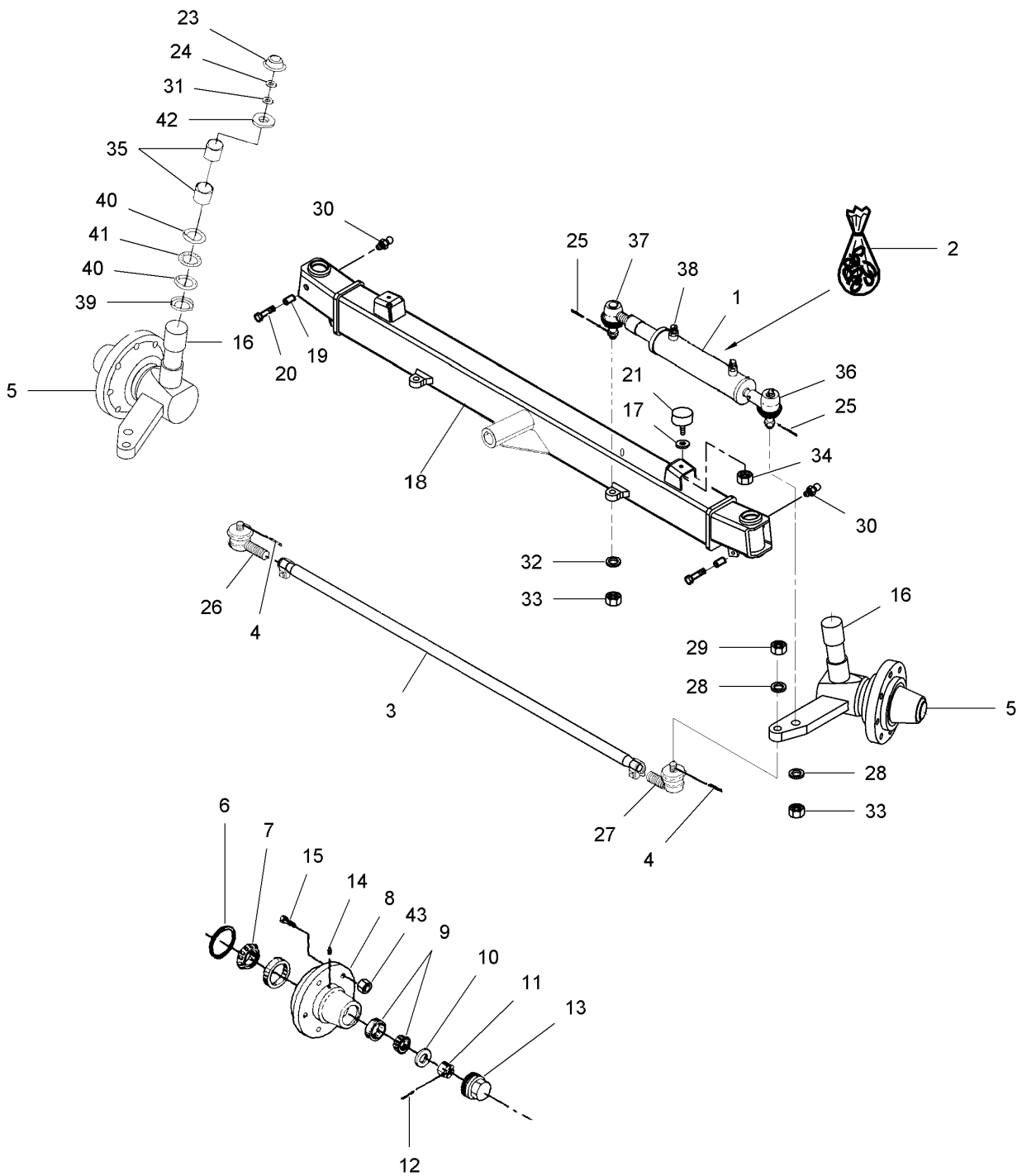


D-ABZE-011-A

1	D20400426		1	WASHER	RONDELLE	SCHEIBE	ARANDELA
2	D28180152		1	SHIM	CALE REGLAGE	AUSGLEICHSCHLEIBE	CALCE
3	D28186572		1	PLATE	PLAQUE	PLATTE	PLATO
4	D28186581	▶	1	PLATE	PLAQUE	PLATTE	PLATO
5	D28186580	▶	1	PLATE	PLAQUE	PLATTE	PLATO
6	391198X1	M12 X 50	1	HEX. SOCK. SCREW	VIS TETE HEX	ZYLINDERSCHRAUBE	TORN.CAB.HUECA
7	D28150801		1	HOOK	CROCHET	HAKEN	GANCHO
7	D45906900	[CB]	1	HOOK	CROCHET	HAKEN	GANCHO
7	D45907400	(D)	1	HOOK	CROCHET	HAKEN	GANCHO
8	D28150802		1	BOLT	BOULON	BOLZEN	BULON
9	D28186182		1	REAR AXLE	ESSIEU ARRIERE	HINTERACHSE	EJE TRASERO
10	3009695X1	M12	1	NUT	ECROU	MUTTER	TUERCA
11	354416X1	3/16" X 2-1/2	1	PIN	GOUPILLE	STIFT	PASADOR
12	D28181859	▶	1	SIDE	COTE	SEITEN	LATERAL
13	D28181858	▶	1	SIDE	COTE	SEITEN	LATERAL
14	D28181558	▶	1	GUARD	GARDE	SCHUTZVORR	DEFENSA
15	D28181559	▶	1	GUARD	GARDE	SCHUTZVORR	DEFENSA
16	D28186005		1	SIDE	COTE	SEITEN	LATERAL
17	D28186004		1	SIDE	COTE	SEITEN	LATERAL
18	D28785917		2	HOSE	DURITE	SCHLAUCH	TUBO DE GOMA
19	D28785947		1	HOSE	DURITE	SCHLAUCH	TUBO DE GOMA
20	D28781929		1	CABLE	CABLE	KABEL	CABLE
21	D41054900		1	CASTLE NUT	ECROU A CRENEAU	KRONENMUTTER	TUERCA CON MUES.
22	D20400540		1	WASHER	RONDELLE	SCHEIBE	ARANDELA
23	D28186189		1	SHAFT	ARBRE	WELLE	ARBOL
24	D28186190		1	AXLE HOUSING	TROMPETTE	ACHSGEHAUSE	CAJA DEL EJE
25	D20400404		4	WASHER	RONDELLE	SCHEIBE	ARANDELA
26	D40422700		4	HEX. SOCK. SCREW	VIS TETE HEX	ZYLINDERSCHRAUBE	TORN.CAB.HUECA
27	1441462X1	M6	4	LOCKNUT	ECROU FREIN	SICHERUNGSMUTTER	CONTRATUERCA
28	D44748700	▶ 600 mm	X	GASKET	JOINT	FLACHDICHTUNG	JUNTA PLANA
29	D28185271		2	COVER	COUVERCLE	ABDECKUNG.	CUBIERTA
30	D28185992		1	CONSOLE	CONSOLE	KONSOLE	CONSOLA
31	D28186111		2	SPACER	ENTRETOISE	ABSTANDSTUECK	DISCO ESPACIADOR
32	D40414000		2	SCREW METRIC	VIS METRIQUE	SCHRAUBE METR	TORNILLO METRICO
33	D28751238		4	BRACKET	SUPPORT FIXATION	HALTEARM	SOPORTE
34			2	NOT USED	NON UTILISE	NICHT VERWENDET	NO SE USA

[B] WITH AUTOMATIC HITCH
AVEC CROCHET AUTOMATIQUE
MIT AUTOMATISCHE ANHAENGEKUPPLUNG
CON ENGANCHE AUTOMATICO

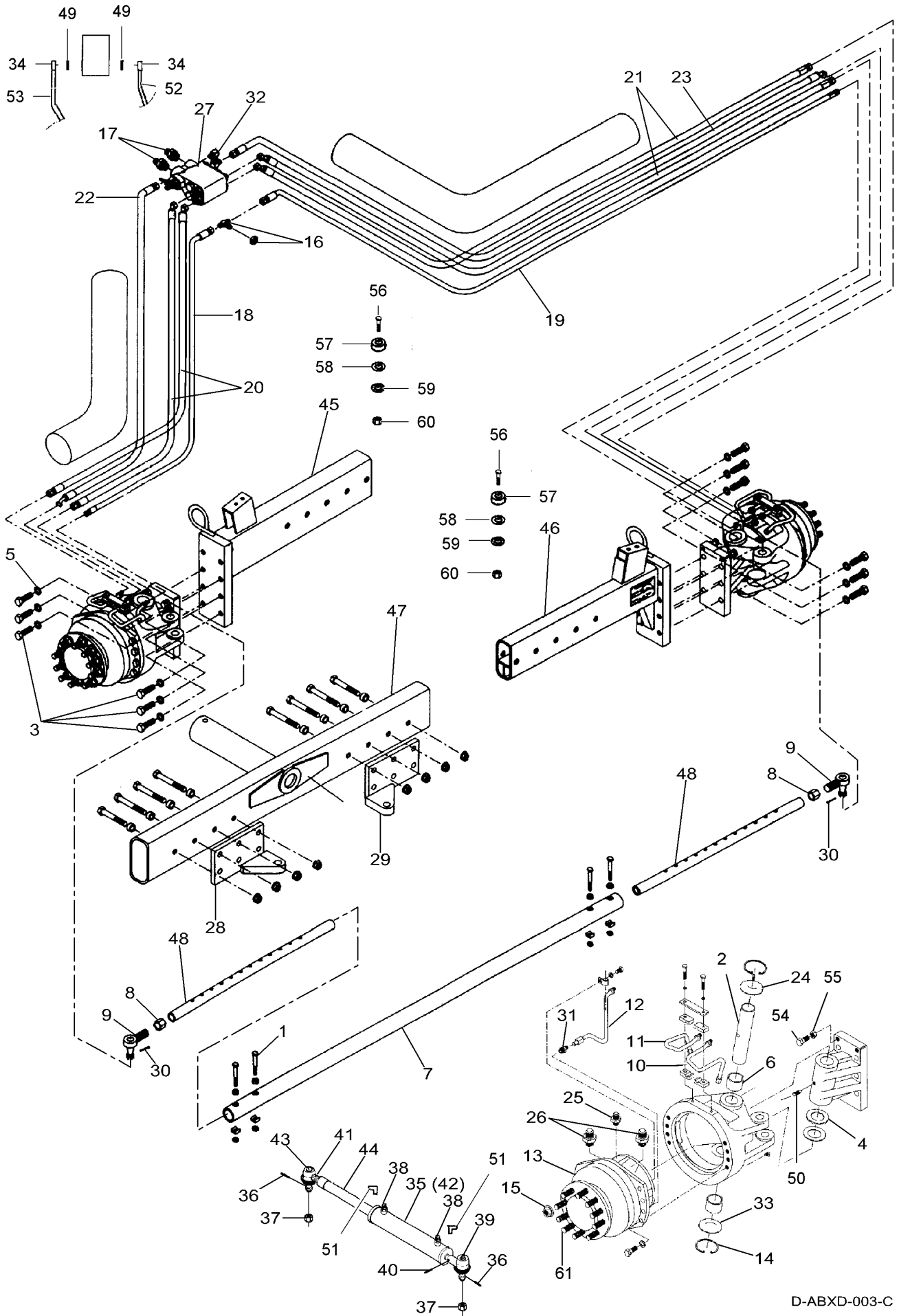
[C] OPTIONAL
EN OPTION
WAHLWEISE
OPCIONAL



D-ABZE-012-B

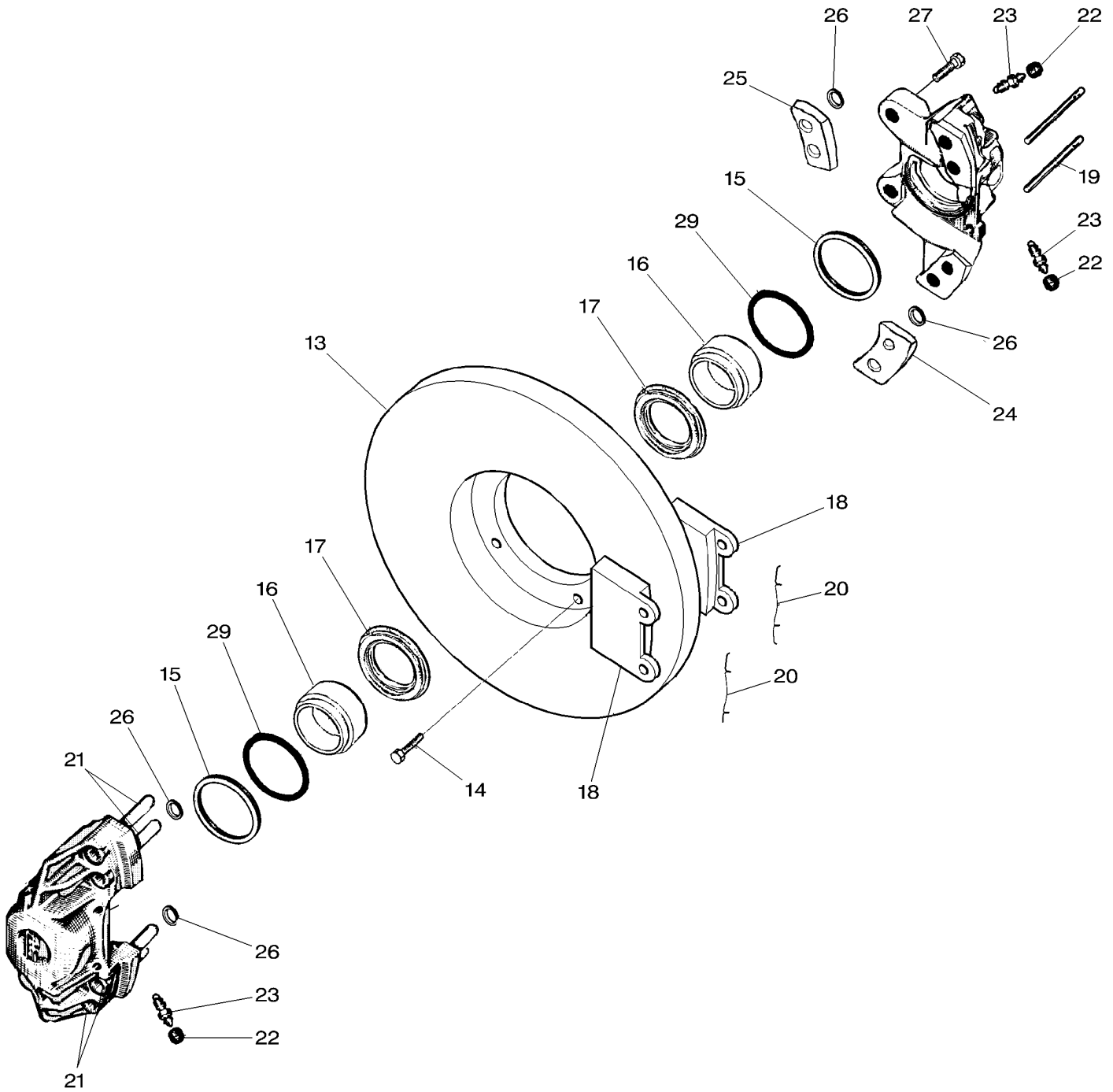
1	D45120068		2	CYLINDER	CYLINDRE	ZYLINDER	CILINDRO
2	D45120067	1	1	KIT, SEAL	JEU ETANCHEITE	DICHTRINGSATZ	RETENES JUEGO
3	D45907600		1	ROD	TRINGLE	STANGE	VARILLA
4	354066X1	5/32" X 1	2	SPLIT PIN	GOUPILLE FENDUE	SPALTBOLZEN	PASADOR HENDIDO
5	D46727700	▶	1	STEERING AXLE	AXE DIRECTION	LENKACHSE	EJE DE DIRECCION
5	D46727800	◀	1	STEERING AXLE	AXE DIRECTION	LENKACHSE	EJE DE DIRECCION
6	D46729700	5	1	RING	ANNEAU	RING.	ANILLO
7	D41663100	5	1	ROLLER BEARING	ROULEMENT GALETS	ROLLENLAGER	COJINETE RODILLO
8	D46729300	5	1	HOUSING	CARTER	GEHAUSE	ALOJAMIENTO
9	D41662700	5	1	BEARING TAPER	ROULEMNT CONIQUE	KEGELLAGER	RODAMIENTO CONI
10	D46729500	5	1	WASHER	RONDELLE	SCHIBE	ARANDELA
11	D41048200	5	1	NUT	ECROU	MUTTER	TUERCA
12	D41415200	5	1	PIN	GOUPILLE	STIFT	PASADOR
13	D46723300	5	1	COVER	COUVERCLE	ABDECKUNG.	CUBIERTA
14	D43000300	5	1	GREASE FITTING	GRAISSEUR	DRUCKSCHMIERKOPF	ENGRASADOR
15	D46728200	5	6	BOLT	BOULON	BOLZEN	BULON
16	D46729900	5 ▶	1	HUB	MOYEU	NABE	CUBO
16	D46729800	5 ◀	1	HUB	MOYEU	NABE	CUBO
17	D20400425		2	WASHER	RONDELLE	SCHIBE	ARANDELA
18	D28186182		1	REAR AXLE	ESSIEU ARRIERE	HINTERACHSE	EJE TRASERO
19	D28186111		2	SPACER	ENTRETOISE	ABSTANDSTUECK	DISCO ESPACIADOR
20	D40414000		2	SCREW METRIC	VIS METRIQUE	SCHRAUBE METR	TORNILLO METRICO
21	D49050046		2	STOP	BUTEE	ANSCHLAG	PARO
22	1440394X1	[B]	2	PIN	GOUPILLE	STIFT	PASADOR
		⊙ 4 X 30					
23	D45745700		2	COVER	COUVERCLE	ABDECKUNG.	CUBIERTA
24	1440477X1		2	CIRCLIP	CIRCLIP	SEEGERING	GRAPA CIRCULAR
25	3000197X1	⊙ 4 X 35	2	SPLIT PIN	GOUPILLE FENDUE	SPALTBOLZEN	PASADOR HENDIDO
26	D45907800	▶	1	TOGGLE	ROTULE	GELENKZAPFEN	ROTULA
27	D45910100	◀	1	TOGGLE	ROTULE	GELENKZAPFEN	ROTULA
28	D20400438		4	WASHER	RONDELLE	SCHIBE	ARANDELA
29	D41048800	M18	2	GROOVE NUT	ECROU CRENELE	NUTMUTTER	TUERCA RANURADA
30	1441858X1		2	GREASE FITTING	GRAISSEUR	DRUCKSCHMIERKOPF	ENGRASADOR
31	D42599000		2	WASHER	RONDELLE	SCHIBE	ARANDELA
32	D20400519		2	WASHER	RONDELLE	SCHIBE	ARANDELA
33	D41054300		2	NUT	ECROU	MUTTER	TUERCA
34	D46140089		2	NUT	ECROU	MUTTER	TUERCA
35	D43338400		2	BUSH	BAGUE	RING	CASQUILLO
36	D45934100		1	JOINT.	JOINT PLAT	DICHTUNG	JUNTA
37	D45934200		1	JOINT.	JOINT PLAT	DICHTUNG	JUNTA
38	D45250800		4	UNION	RACCORD	VERSCHRAUBUNG	RACOR
39	D28182292		2	BEARING SHELL	CAGE ROULEMENT	LAGERSCHALE	CASQ.COJINETE
40	D41659000		4	WASHER	RONDELLE	SCHIBE	ARANDELA
41	D41658000		2	WASHER	RONDELLE	SCHIBE	ARANDELA
42	D28185590		2	WASHER	RONDELLE	SCHIBE	ARANDELA
43	*D41021800		X	NUT	ECROU	MUTTER	TUERCA

[B] NOT ILLUSTRATED
NON ILLUSTRÉ
NICHT ILLUSTRIRT
NO ILUSTRADO



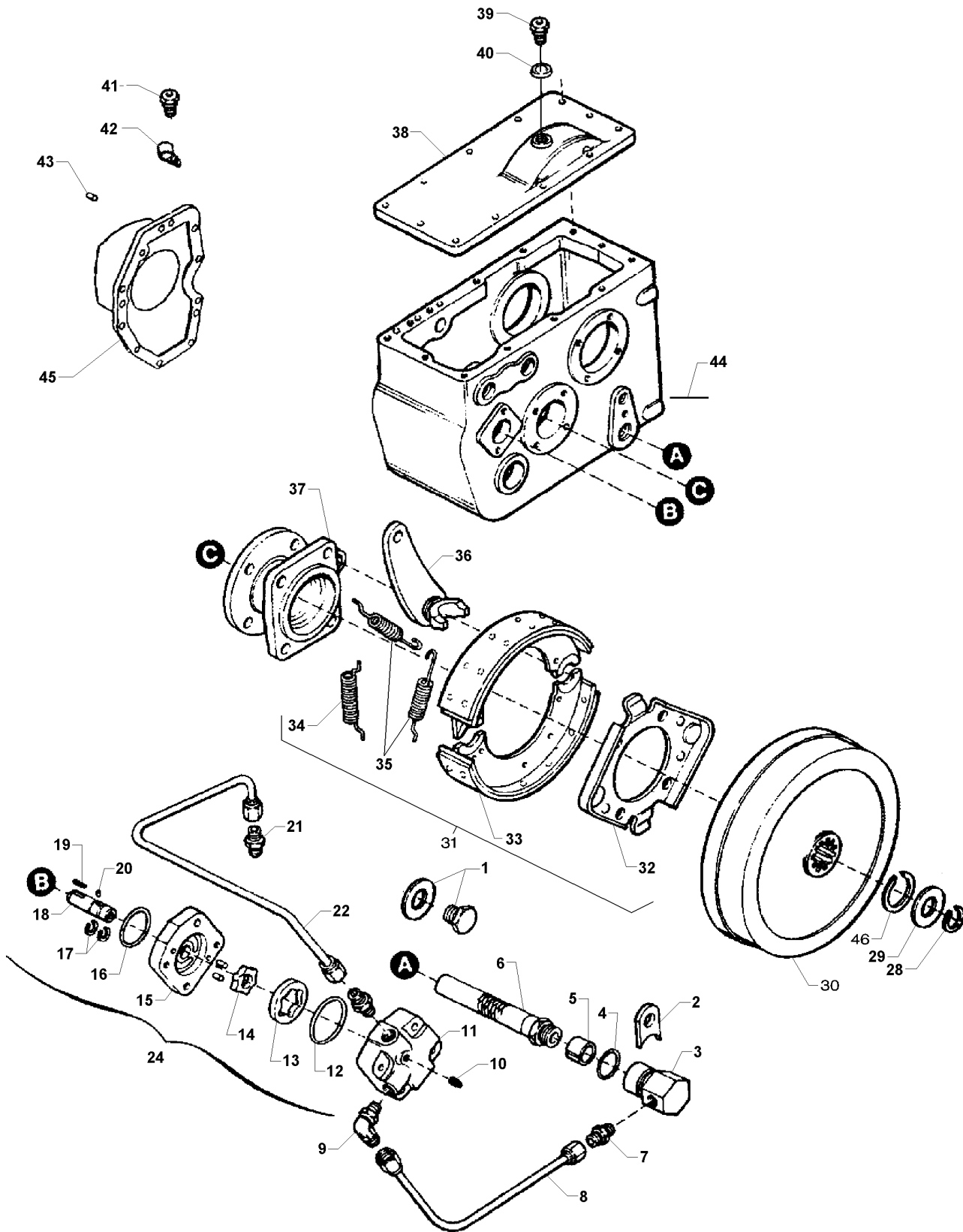
D-ABXD-003-C

1 D40468100		4 SCREW	VIS	SCHRAUBE	TORNILLO
2 D49066800		1 SHAFT	ARBRE	WELLE	ARBOL
3 D49080186		12 SCREW	VIS	SCHRAUBE	TORNILLO
4 D49067000		1 THRUST WASHER	RONDELLE BUTEE	ANLAUFSCHLEIBE	ARANDELA ACELER
5 D20400437		12 WASHER	RONDELLE	SCHEIBE	ARANDELA
6 D49066900		2 BUSH	BAGUE	RING	CASQUILLO
7 D49060096		1 TUBE	TUBE	ROHR	TUBO.
8 D49060094		2 NUT	ECROU	MUTTER	TUERCA
9 D49067300		2 TOGGLE	ROTULE	GELENKZAPFEN	ROTULA
10 D49080180		1 PIPE,OIL	TUYAU HYDRAULI.	OELLEITUNG	MANGUITO ACEITE
11 D49080179		1 PIPE,OIL	TUYAU HYDRAULI.	OELLEITUNG	MANGUITO ACEITE
12 D49080178		1 PIPE,OIL	TUYAU HYDRAULI.	OELLEITUNG	MANGUITO ACEITE
13 D49080187		1 MOTOR	MOTEUR.	MOTOR.	MOTOR,
14 D49068000		2 RING	ANNEAU	RING.	ANILLO
15 D49067700		10 NUT	ECROU	MUTTER	TUERCA
16 D49080185		1 TEEPIECE	TE	T-STUECK	PIEZA EN T
17 D49080184		2 CONNECTION	CONNEXION	VERBINDUNG	CONEXION
18 D49080189		1 HYDRAULIC HOSE	DURITE HYDRAULIC	HYDRAUL.SCHLAUCH	TUBO HYDRAULICO
19 D49080190		1 HYDRAULIC HOSE	DURITE HYDRAULIC	HYDRAUL.SCHLAUCH	TUBO HYDRAULICO
20 D49080191		2 HYDRAULIC HOSE	DURITE HYDRAULIC	HYDRAUL.SCHLAUCH	TUBO HYDRAULICO
21 D49080192		2 HYDRAULIC HOSE	DURITE HYDRAULIC	HYDRAUL.SCHLAUCH	TUBO HYDRAULICO
22 D49070088		1 HYDRAULIC HOSE	DURITE HYDRAULIC	HYDRAUL.SCHLAUCH	TUBO HYDRAULICO
23 D49080193		1 HYDRAULIC HOSE	DURITE HYDRAULIC	HYDRAUL.SCHLAUCH	TUBO HYDRAULICO
24 D49080177		1 PLUG	BOUCHON	STOPFEN	TAPON
25 D49080181		1 CONNECTION	CONNEXION	VERBINDUNG	CONEXION
26 D49080182		2 CONNECTION	CONNEXION	VERBINDUNG	CONEXION
27 D49080188		1 PRESSURE VALVE	VALVE	DRUCKVENTIL	VALVULA PRESION
28 D49080194	▶	1 BRACKET	SUPPORT FIXATION	HALTEAM	SOPORTE
29 D49080195	▶	1 BRACKET	SUPPORT FIXATION	HALTEAM	SOPORTE
30 D41406200	○ 3,2 X 40	2 SPLIT PIN	GOUPILLE FENDUE	SPALTBOLZEN	PASADOR HENDIDO
31 D49080183		1 CONNECTION	CONNEXION	VERBINDUNG	CONEXION
32 D49070099		1 VALVE	SOUPAPE	VENTIL	VALVULA
33 D49067900		1 PLUG	BOUCHON	STOPFEN	TAPON
34 D28186650		1 ADAPTOR	ADAPTATEUR	REDUZIERNIPPEL	ADAPTADOR
35 D49050057		1 STEERING CYL	VERIN DIRECTION	LENKZYLINDER	CILINDRO DIRECC
36 3000197X1	35 ○ 4 X 35	1 SPLIT PIN	GOUPILLE FENDUE	SPALTBOLZEN	PASADOR HENDIDO
37 D41054300	35	2 NUT	ECROU	MUTTER	TUERCA
38 D45255100	35 ▶ 58420	2 UNION	RACCORD	VERSCHRAUBUNG	RACOR
39 D49050009	35	1 KNUCKLE JOINT	JOINT A ROTULE	KREUZGELENK	UNION ARTICULADA
40 1440394X1	35 ○ 4 X 30	1 PIN	GOUPILLE	STIFT	PASADOR
41 D49050016	35	2 NUT	ECROU	MUTTER	TUERCA
42 D49050058	35	1 KIT	JEU	SATZ	JUEGO
43 D49050009	35	1 KNUCKLE JOINT	JOINT A ROTULE	KREUZGELENK	UNION ARTICULADA
44 D45100092	35	1 CYLINDER ROD	TIGE DE VERIN	KOLBENSTANGE	BIELA DE CILINDR
45 D49080158	▶ 58449	1 STUB	EMBOUT	STUMMEL	SALIENTE
45		NOT USED	NON UTILISE	NICHT VERWENDET	NO SE USA
46		NOT USED	NON UTILISE	NICHT VERWENDET	NO SE USA
47		NOT USED	NON UTILISE	NICHT VERWENDET	NO SE USA
48 D49080161		2 TUBE	TUBE	ROHR	TUBO.
49 D45482700		2 O RING	JOINT TORIQUE	O-RING	JUNTA TOROIDAL
50 D43001700		1 GREASE FITTING	GRAISSEUR	DRUCKSCHMIERKOPF	ENGRASADOR
51 D45258600		3 UNION	RACCORD	VERSCHRAUBUNG	RACOR
52 D49080166		1 HYDRAULIC HOSE	DURITE HYDRAULIC	HYDRAUL.SCHLAUCH	TUBO HYDRAULICO
53 D49080167		1 HYDRAULIC HOSE	DURITE HYDRAULIC	HYDRAUL.SCHLAUCH	TUBO HYDRAULICO
54 D49080162		1 SCREW	VIS	SCHRAUBE	TORNILLO
55 D49080164	▶ 58420	1 NUT	ECROU	MUTTER	TUERCA
56 D40426300		2 HEX. SOCK. SCREW	VIS TETE HEX	ZYLINDERSCHRAUBE	TORN.CAB.HUECA
57 D28181904		2 DAMPER	AMORTISSEUR	DAEMPFER	VALV.REGULADORA
58 D20400471		2 WASHER	RONDELLE	SCHEIBE	ARANDELA
59 D41101900		2 SPRING WASHER	RONDELLE ELASTIQ	FEDERSCHLEIBE	ARANDELA ELASTI.
60 1440329X1	● D41087600	2 LOCKNUT	ECROU FREIN	SICHERUNGSMUTTER	CONTRATUERCA
61 *D49067800		10 BOLT	BOULON	BOLZEN	BULON



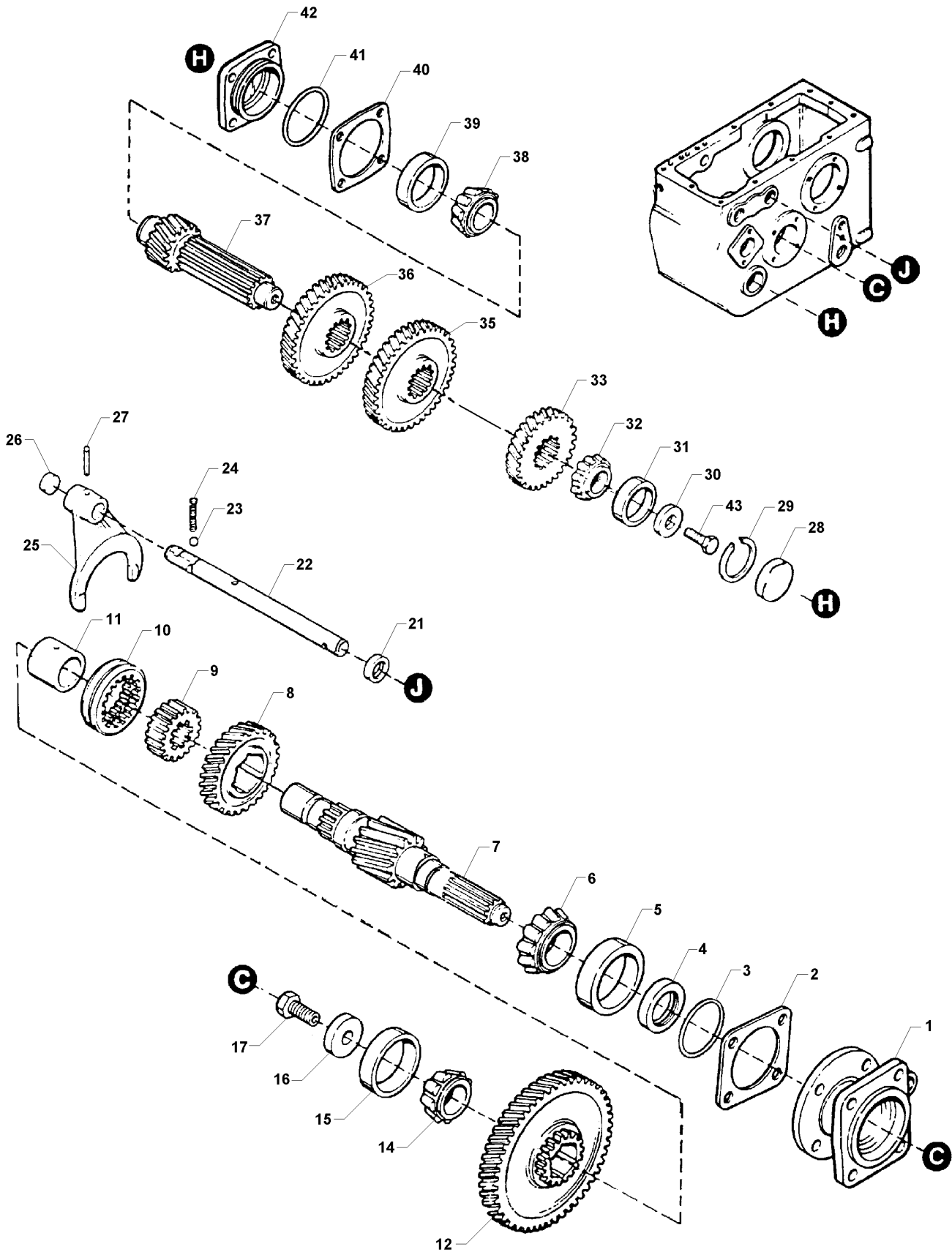
D-ABZG-001-B

13	D46140069		2	BRAKE DISC	DISQUE DE FREIN	BREMSSCHEIBE	DISCO DE FRENO
14	339139X1	M12 X 25	8	HEX. SOCK. SCREW	VIS TETE HEX	ZYLINDERSCHRAUBE	TORN.CAB.HUECA
15	D46140016		1	KIT, BRAKE	JEU FREIN	BREMSENSATZ	FRENOS JUEGO
15	D46140026	15	2	O RING	JOINT TORIQUE	O-RING	JUNTA TOROIDAL
16	D46140027	15	2	PISTON	PISTON	KOLBEN	PISTON
17	D46140028	15	2	KIT,JOINT/GASKET	JEU DE JOINTS	DICHTUNGS-SATZ	JGO.JUNTAS/EMPAQ
18	D46140029	15	1	KIT, BRAKE	JEU FREIN	BREMSENSATZ	FRENOS JUEGO
19	D46140030	15	2	PIN	GOUPILLE	STIFT	PASADOR
20	D46140031	15	2	SPRING	RESSORT	FEDER	MUELLE
21	D40696700	15	4	SCREW	VIS	SCHRAUBE	TORNILLO
22	D45908600	15	3	CAP	CHAPEAU	KAPPE	TAPA
23	D46140034	15	3	VALVE	SOUPAPE	VENTIL	VALVULA
24	D46140033	15	1	SPACER	ENTRETOISE	ABSTANDSTUECK	DISCO ESPACIADOR
25	D46140033	15	1	SPACER	ENTRETOISE	ABSTANDSTUECK	DISCO ESPACIADOR
26	D45482400	15	4	O RING	JOINT TORIQUE	O-RING	JUNTA TOROIDAL
27	D40437300	M20 X 65	2	HEX. SOCK. SCREW	VIS TETE HEX	ZYLINDERSCHRAUBE	TORN.CAB.HUECA
29	D46140035		2	SEAL	JOINT ETANCHEITE	DICHTRING	JUNTA REDONDA



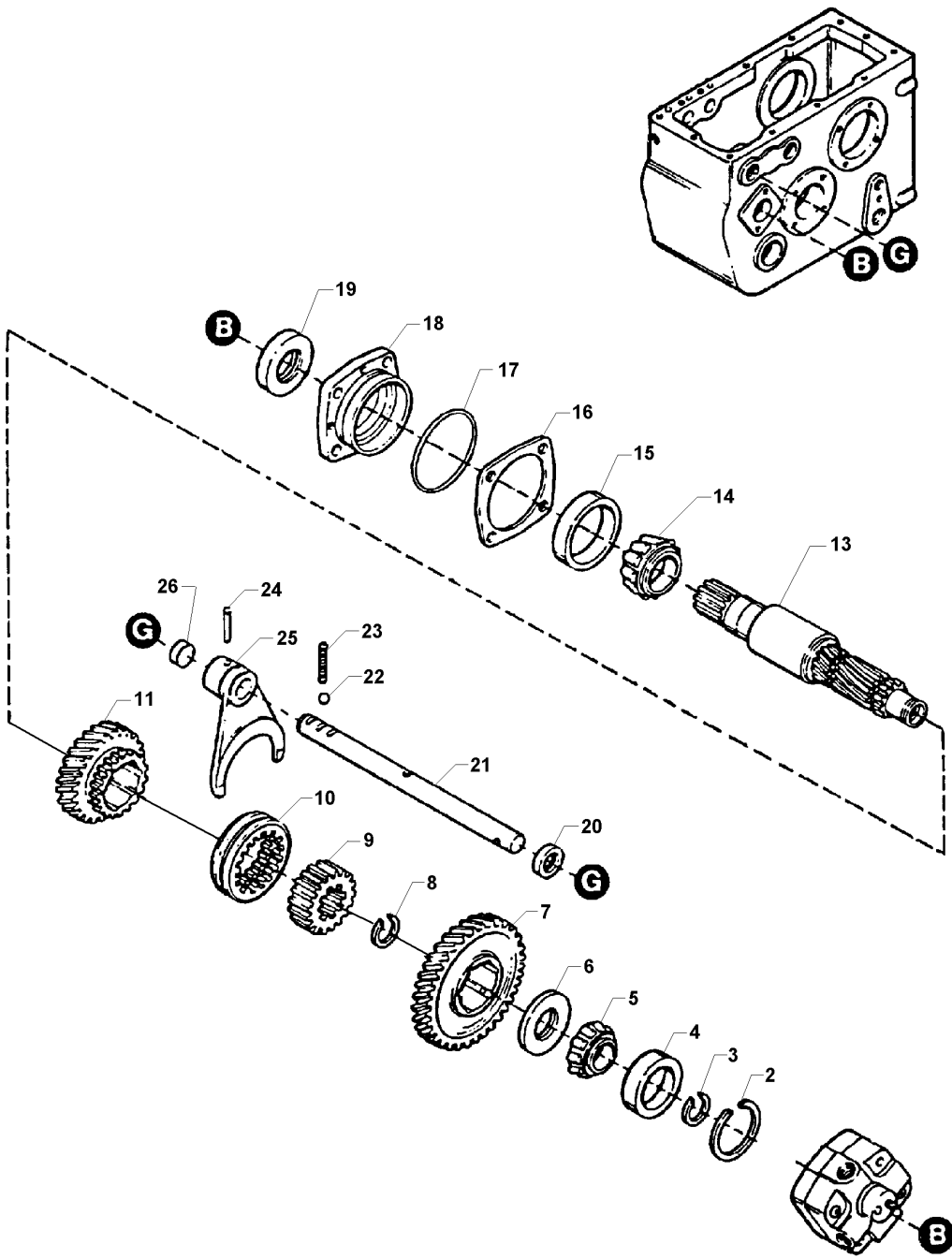
D-ABZH-004-A

1	70225441		1	PLUG	BOUCHON	STOPFEN	TAPON
1	70226012		X	GASKET	JOINT	FLACHDICHTUNG	JUNTA PLANA
2	71183535		1	RETAINER	RETENEUR	HALTERING	RETENEDOR
2	70926115	1/2"-13 X 3/4	1	BOLT	BOULON	BOLZEN	BULON
2	353439X1	1/2"	1	LOCK WASHER	RONDELLE FREIN	SICHERUNGSRING	ARANDELA SEGURID
3	71183536		1	FRONT GRILLE	CALANDRE	GRILLZARGE	CALANDRA
4	70925919		1	O RING	JOINT TORIQUE	O-RING	JUNTA TOROIDAL
5	71183828		1	MAGNET	AIMANT	MAGNET	IMAN
6	71183747		1	FRONT GRILLE	CALANDRE	GRILLZARGE	CALANDRA
7	70921409		1	CONNECTORS	CONNECTEUR	KABELVERBINDER	CONECTADORES
8	71183750		1	TUBE	TUBE	ROHR	TUBO.
9	70921402		1	ELBOW	COUDE	WINKELSTUECK	CODO
10	70901651		1	PLUG	BOUCHON	STOPFEN	TAPON
11	71184147		1	HOUSING	CARTER	GEHAEUSE	ALOJAMIENTO
12	70924186		1	O RING	JOINT TORIQUE	O-RING	JUNTA TOROIDAL
13	71335782		1	ROTOR	ROTOR	ROTOR	ROTOR
14	72017072		2	PIN	GOUPILLE	STIFT	PASADOR
15	71184148		1	COVER	COUVERCLE	ABDECKUNG.	CUBIERTA
16	70930911		1	O RING	JOINT TORIQUE	O-RING	JUNTA TOROIDAL
17	71335785		2	RING	ANNEAU	RING.	ANILLO
18	71335783		1	SHAFT	ARBRE	WELLE	ARBOL
19	71184145		1	KEY	CLAVETTE	STELLKEIL	CHAVETA
20	71335784		1	PIN	GOUPILLE	STIFT	PASADOR
21	846634	9/16"-18	2	UNION	RACCORD	VERSCHRAUBUNG	RACOR
22	D46140059		1	LUB.OIL PIPE	TUYAU HUILE LUB	SCHMIEROELLEITG.	TUBO ACEITE LUB
24	71183840		1	HYDRAULIC PUMP	POMPEHYDRAULIQUE	HYDROPUMPE	BOMBA HIDRAULICA
24	70922823		2	CAPSCREW	VIS BOUCHON	HUTSCHRAUBE	TORNILLO TAPON
28	70932861		1	RING	ANNEAU	RING.	ANILLO
29	70919393		1	WASHER	RONDELLE	SCHEIBE	ARANDELA
30	71183170		1	BRAKE DRUM	TAMBOUR DE FREIN	BREMSTROMMEL	TAMBOR DE FRENO
31	71171602	● D28186128	1	BRAKE	FREIN	BREMSE	FRENO
32	71177930	31	1	SUPPORT	SUPPORT	TRAGER	SOPORTE
32	354276X1	1/2"-13 X 1-1/4	4	BOLT UNC	BOULON UNC	MASCH.SCHRB.UNC	PERNO UNC
32	704031	1/2"-13	4	NUT UNC	ECROU UNC	MUTTER UNC	TUERCA UNC
33	71171602	31	1	BRAKE	FREIN	BREMSE	FRENO
34	74906602	31	1	SPRING	RESSORT	FEDER	MUELLE
34	79014625		X	LOCTITE	LOCTITE	LOCTITE	LOCTITE
34	79021648		X	PRIMER	AMORCE	HANDPUMPHEBEL	IMPRIMACION
35	74906603	31	2	SPRING	RESSORT	FEDER	MUELLE
36	71305651		1	LEVER	LEVIER	HEBEL	PALANCA
37	D46140063		1	GEARBOX	BOITE VITESSES	GETRIEBE	CAJA VELOCIDADES
38	71183439		1	COVER	COUVERCLE	ABDECKUNG.	CUBIERTA
38	354276X1	1/2"-13 X 1-1/4	12	BOLT UNC	BOULON UNC	MASCH.SCHRB.UNC	PERNO UNC
39	70225441		1	PLUG	BOUCHON	STOPFEN	TAPON
40	70226012		1	GASKET	JOINT	FLACHDICHTUNG	JUNTA PLANA
41	71313115		1	VENT	EVENT	VENTILATION	TOMA DE AIRE
42	70923690		1	ELBOW	COUDE	WINKELSTUECK	CODO
43	70926551		1	PIN	GOUPILLE	STIFT	PASADOR
44	71398334		1	HOUSING	CARTER	GEHAEUSE	ALOJAMIENTO
45	D46140062		1	HOUSING	CARTER	GEHAEUSE	ALOJAMIENTO
46	70932862		1	RING	ANNEAU	RING.	ANILLO

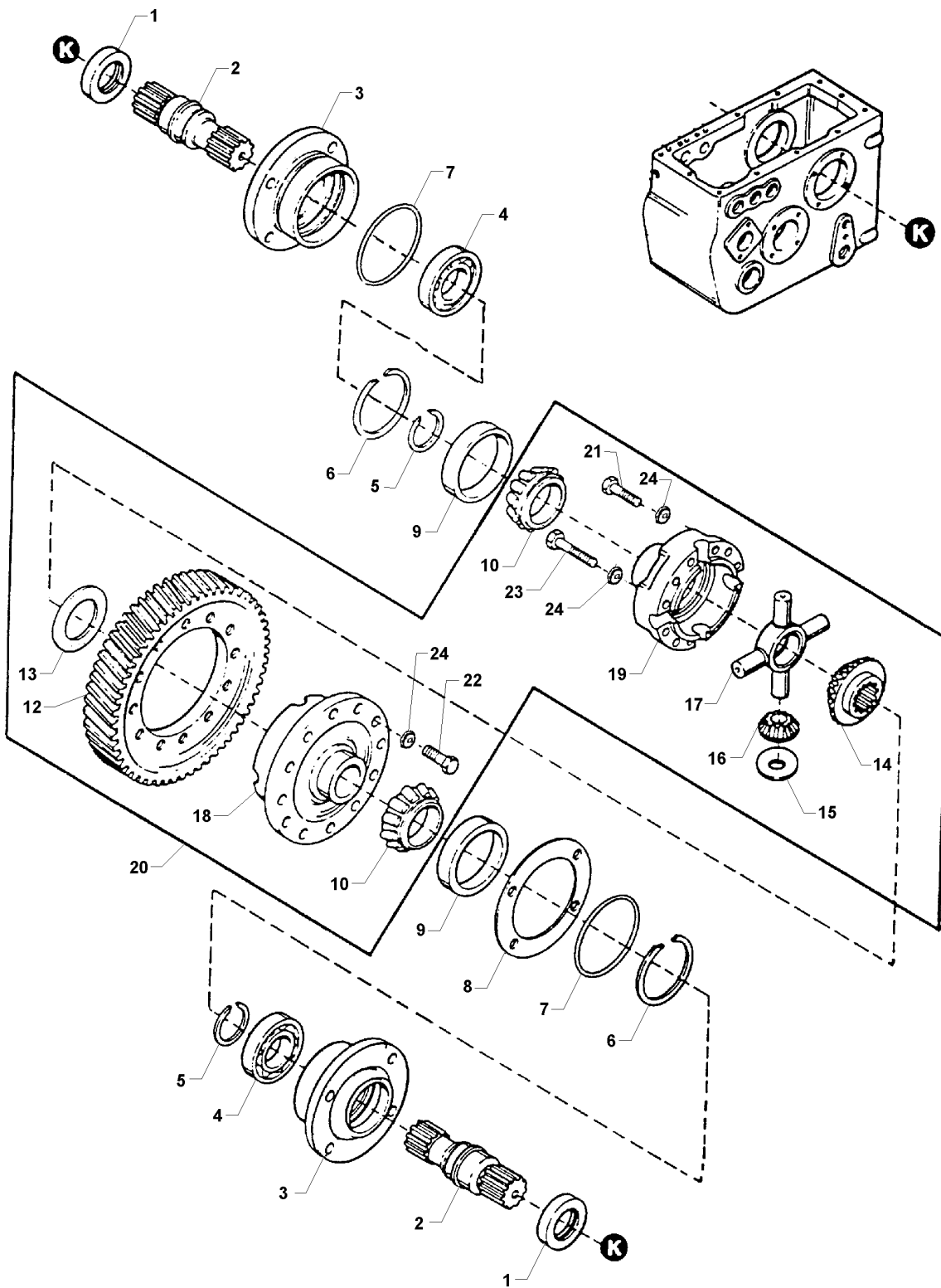


D-ABZI-002-A

1	D46140058		1	GEARBOX	BOITE VITESSES	GETRIEBE	CAJA VELOCIDADES
1	354276X1	1/2"-13 X 1-1/4	4	BOLT UNC	BOULON UNC	MASCH.SCHRB.UNC	PERNO UNC
2	71377712	▲ .05	X	SHIM	CALE REGLAGE	AUSGLEICHSCHLEIBE	CALCE
2	71377713	▲ .0076	X	SHIM	CALE REGLAGE	AUSGLEICHSCHLEIBE	CALCE
2	71377714	▲ .127	X	SHIM	CALE REGLAGE	AUSGLEICHSCHLEIBE	CALCE
2	71377715	▲ .177	X	SHIM	CALE REGLAGE	AUSGLEICHSCHLEIBE	CALCE
2	71377716	▲ .254	X	SHIM	CALE REGLAGE	AUSGLEICHSCHLEIBE	CALCE
3	70923808		1	O RING	JOINT TORIQUE	O-RING	JUNTA TOROIDAL
4	71162565		1	OIL SEAL	BAGUE ETANCHEITE	OELDICHTRING	BUJE RETENACEITE
5	71377722		1	BEARING CUP	CUVETTE ROULEMNT	LAGERAUSSENRING	ANILLO COJINETE
6	71377723		1	BEARING CONE	CONE ROULEMENT	LAGERINNENRING	CONO COJINETE
7	D46140064		1	SHAFT	ARBRE	WELLE	ARBOL
8	71377416		1	GEAR	ENGRENAGE	ZAHNRAD	ENGRANAJE
9	71160040		1	COLLAR	COLLERETTE	KRAGEN	COLLARIN
10	71195328		1	COUPLING	CRABOT	KUPPLUNG	ACOPLAMIENTO
11	71377711		1	BUSH	BAGUE	RING	CASQUILLO
12	71377417		1	GEAR	ENGRENAGE	ZAHNRAD	ENGRANAJE
14	71377535		1	BEARING	COUSSINET	LAGER	COJINETE
15	71377534		1	BEARING	COUSSINET	LAGER	COJINETE
16	71177386		1	WASHER	RONDELLE	SCHEIBE	ARANDELA
17	71183403		1	CAPSCREW	VIS BOUCHON	HUTSCHRAUBE	TORNILLO TAPON
21	71160303		1	OIL SEAL	BAGUE ETANCHEITE	OELDICHTRING	BUJE RETENACEITE
21	79014625		X	LOCTITE	LOCTITE	LOCTITE	LOCTITE
21	79021648		X	PRIMER	AMORCE	HANDPUMPHEBEL	IMPRIMACION
21	79021669		X	LOCTITE	LOCTITE	LOCTITE	LOCTITE
22	71377549		1	STEM	TIGE	MESSERSTIEL	VASTAGO
23	70917579		1	BALL	BILLE	KUGEL	BOLA
24	71160067		1	SPRING	RESSORT	FEDER	MUELLE
25	71300507		1	FORK	FOURCHETTE	GABEL	HORQUILLA
26	70930798		1	PLUG	BOUCHON	STOPFEN	TAPON
27	70923404		1	PIN	GOUPILLE	STIFT	PASADOR
28	71317628		1	PLUG	BOUCHON	STOPFEN	TAPON
29	71184144		1	RING	ANNEAU	RING	ANILLO
30	71177385		1	WASHER	RONDELLE	SCHEIBE	ARANDELA
31	71160001		1	BEARING CUP	CUVETTE ROULEMNT	LAGERAUSSENRING	ANILLO COJINETE
32	70927952		1	BEARING CONE	CONE ROULEMENT	LAGERINNENRING	CONO COJINETE
33	71377411		1	GEAR	ENGRENAGE	ZAHNRAD	ENGRANAJE
35	71377412		1	GEAR	ENGRENAGE	ZAHNRAD	ENGRANAJE
36	71377413		1	GEAR	ENGRENAGE	ZAHNRAD	ENGRANAJE
37	71377414		1	SHAFT	ARBRE	WELLE	ARBOL
38*	15853X		1	BEARING CONE	CONE ROULEMENT	LAGERINNENRING	CONO COJINETE
39	712208	● 70230068	1	BEARING	COUSSINET	LAGER	COJINETE
40	71186745	▲ 0.05	X	SHIM	CALE REGLAGE	AUSGLEICHSCHLEIBE	CALCE
40	71186746	▲ 0.076	X	SHIM	CALE REGLAGE	AUSGLEICHSCHLEIBE	CALCE
40	71175961	▲ 0.127	X	SHIM	CALE REGLAGE	AUSGLEICHSCHLEIBE	CALCE
40	71175962	▲ 0.177	X	SHIM	CALE REGLAGE	AUSGLEICHSCHLEIBE	CALCE
40	71175963	▲ 0.254	X	SHIM	CALE REGLAGE	AUSGLEICHSCHLEIBE	CALCE
41	70923816		1	O RING	JOINT TORIQUE	O-RING	JUNTA TOROIDAL
42	71377410		1	RETAINER	RETENEUR	HALTERING	RETENEDOR
42	353691X1	3/8"-16 X 1	4	BOLT UNC	BOULON UNC	MASCH.SCHRB.UNC	PERNO UNC
43	354276X1	1/2"-13 X 1-1/4	1	BOLT UNC	BOULON UNC	MASCH.SCHRB.UNC	PERNO UNC



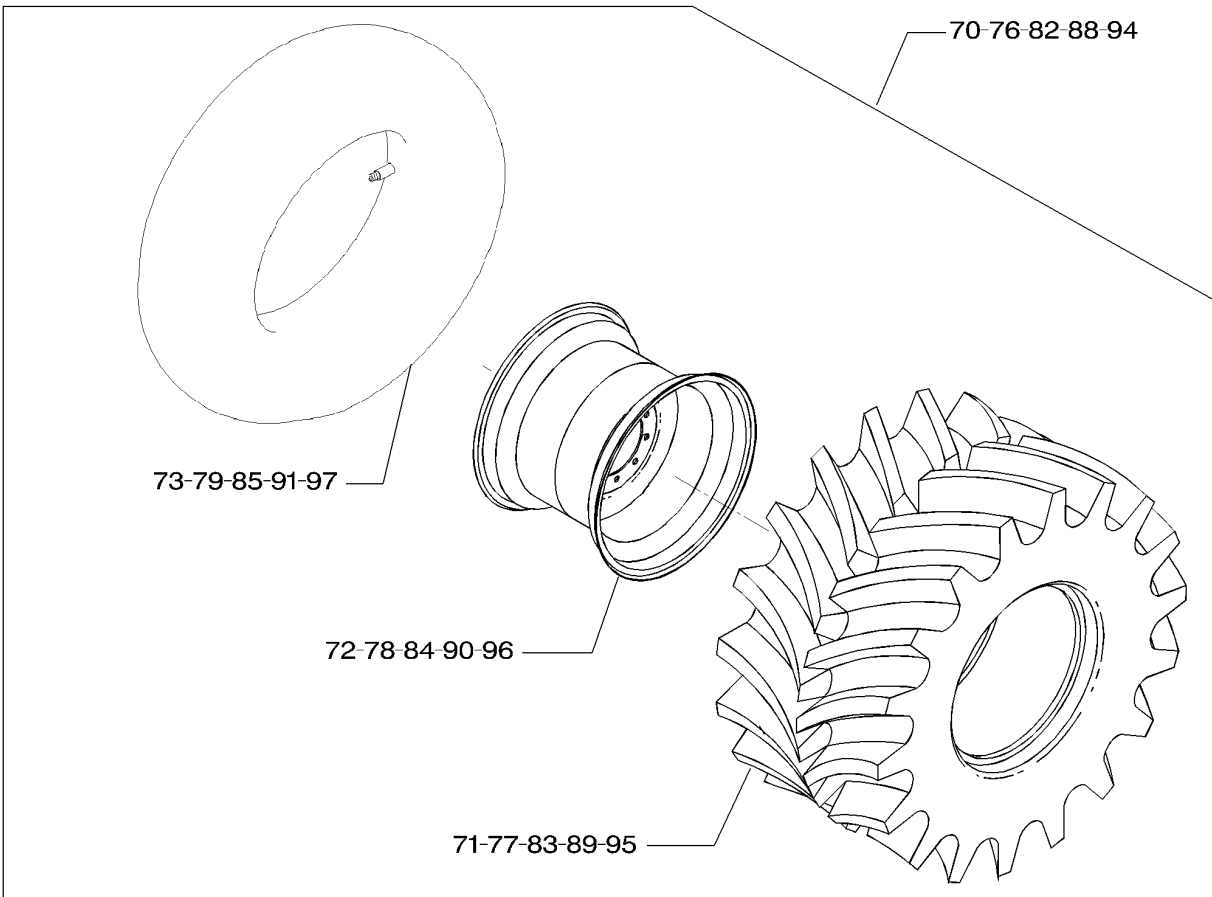
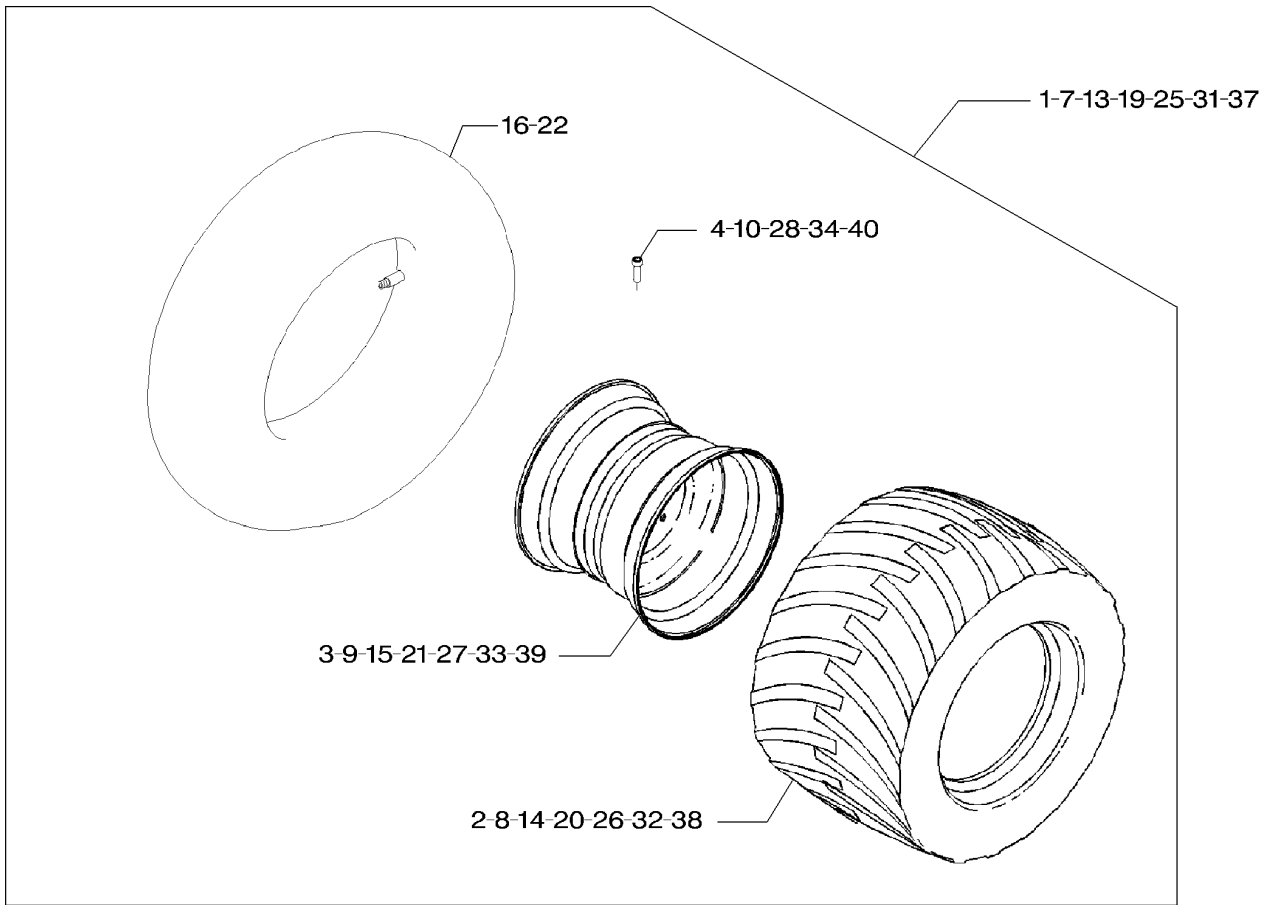
2	71184144		1	RING	ANNEAU	RING.	ANILLO
3	71184133	1.803	X	RING	ANNEAU	RING.	ANILLO
3	71302467	1.828	X	RING	ANNEAU	RING.	ANILLO
3	71302468	1.854	X	RING	ANNEAU	RING.	ANILLO
3	71302469	1.905	X	RING	ANNEAU	RING.	ANILLO
3	71184134	1.879	X	RING	ANNEAU	RING.	ANILLO
3	71184135	.077	X	RING	ANNEAU	RING.	ANILLO
3	71302471	1.981	X	RING	ANNEAU	RING.	ANILLO
3	79021669		2	LOCTITE	LOCTITE	LOCTITE	LOCTITE
3	79021648		X	PRIMER	AMORCE	HANDPUMPHEBEL	IMPRIMACION
3	79014625		X	LOCTITE	LOCTITE	LOCTITE	LOCTITE
4	71160001		1	BEARING CUP	CUVETTE ROULEMNT	LAGERAUSSENRING	ANILLO COJINETE
5	70927952		1	BEARING CONE	CONE ROULEMENT	LAGERINNENRING	CONO COJINETE
6	71178888		1	SPACER	ENTRETOISE	ABSTANDSTUECK	DISCO ESPACIADOR
7	71377408		1	GEAR	ENGRENAGE	ZAHNRAD	ENGRANAJE
8	71183839		2	BUSH	BAGUE	RING	CASQUILLO
8	71184140		4	PIN	GOUPILLE	STIFT	PASADOR
9	71160040		1	COLLAR	COLLERETTE	KRAGEN	COLLARIN
10	71195328		1	COUPLING	CRABOT	KUPPLUNG	ACOPLAMIENTO
11	71377407		1	GEAR	ENGRENAGE	ZAHNRAD	ENGRANAJE
13	71377409		1	SHAFT	ARBRE	WELLE	ARBOL
14	70234608		1	BEARING CONE	CONE ROULEMENT	LAGERINNENRING	CONO COJINETE
15	70234607		1	CUP	COUPELLE	LAUFRING	CUBETA
16	71186745	0.05	X	SHIM	CALE REGLAGE	AUSGLEICHSCHEIBE	CALCE
16	71186746	0.076	X	SHIM	CALE REGLAGE	AUSGLEICHSCHEIBE	CALCE
16	71175961	0.127	X	SHIM	CALE REGLAGE	AUSGLEICHSCHEIBE	CALCE
16	71175962	0.177	X	SHIM	CALE REGLAGE	AUSGLEICHSCHEIBE	CALCE
16	71175963	0.254	X	SHIM	CALE REGLAGE	AUSGLEICHSCHEIBE	CALCE
17	70923816		1	O RING	JOINT TORIQUE	O-RING	JUNTA TOROIDAL
18	71190292		1	BEARING CARRIER	PALIER	LAGER GEHAEUSE	COJINETE APOYO
18	353691X1	3/8"-16 X 1	4	BOLT UNC	BOULON UNC	MASCH.SCHRB.UNC	PERNO UNC
19	71162565		1	OIL SEAL	BAGUE ETANCHEITE	OELDICHTRING	BUJE RETENACEITE
20	71160303		1	OIL SEAL	BAGUE ETANCHEITE	OELDICHTRING	BUJE RETENACEITE
21	71377548		1	RAIL	RAIL	SCHIENE	RIEL
22	70917579		1	BALL	BILLE	KUGEL	BOLA
23	71160067		1	SPRING	RESSORT	FEDER	MUELLE
24	70923404		1	PIN	GOUPILLE	STIFT	PASADOR
25	71300509		1	FORK	FOURCHETTE	GABEL	HORQUILLA
26	70930798		1	PLUG	BOUCHON	STOPFEN	TAPON



D-ABAA-002-A

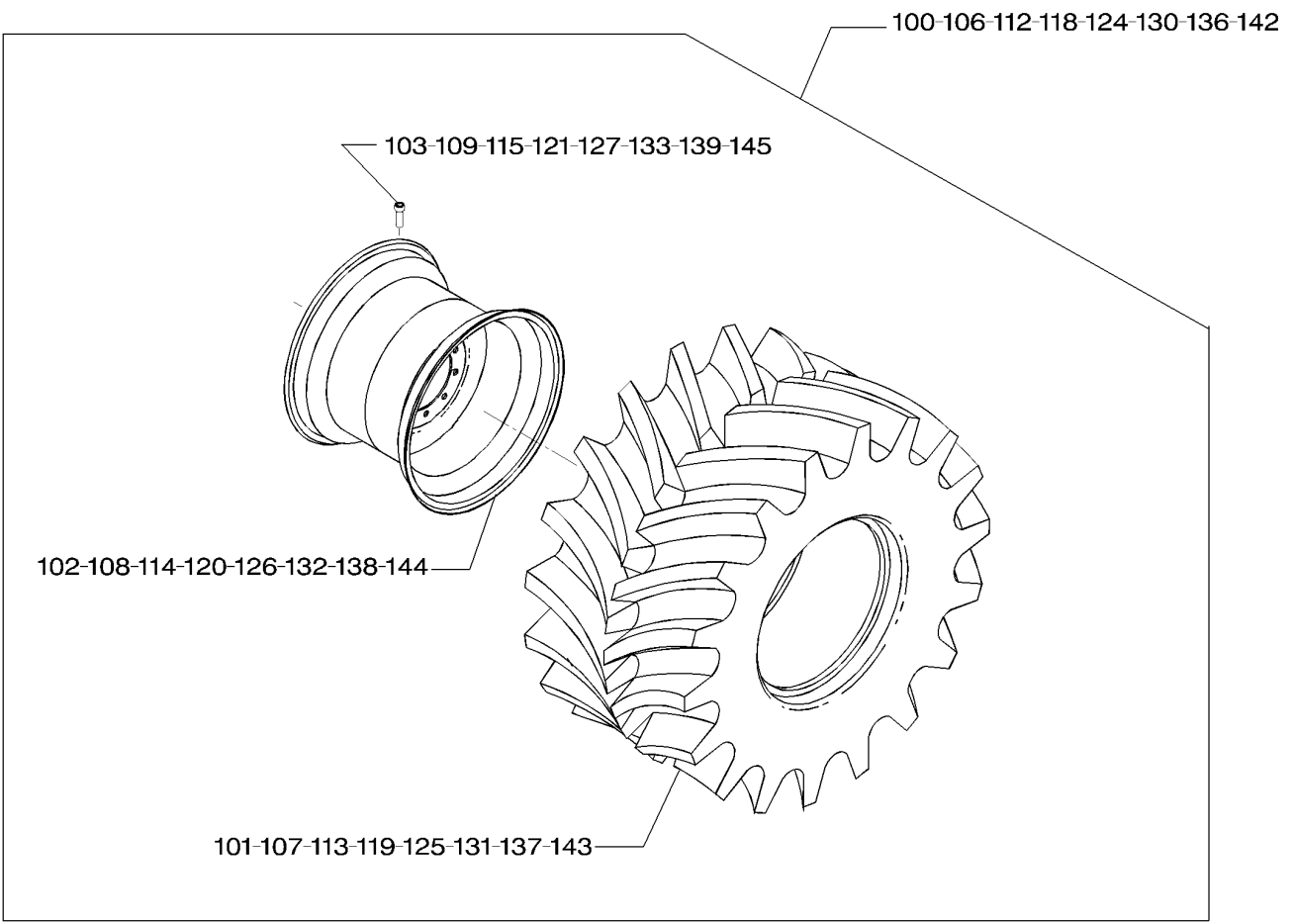
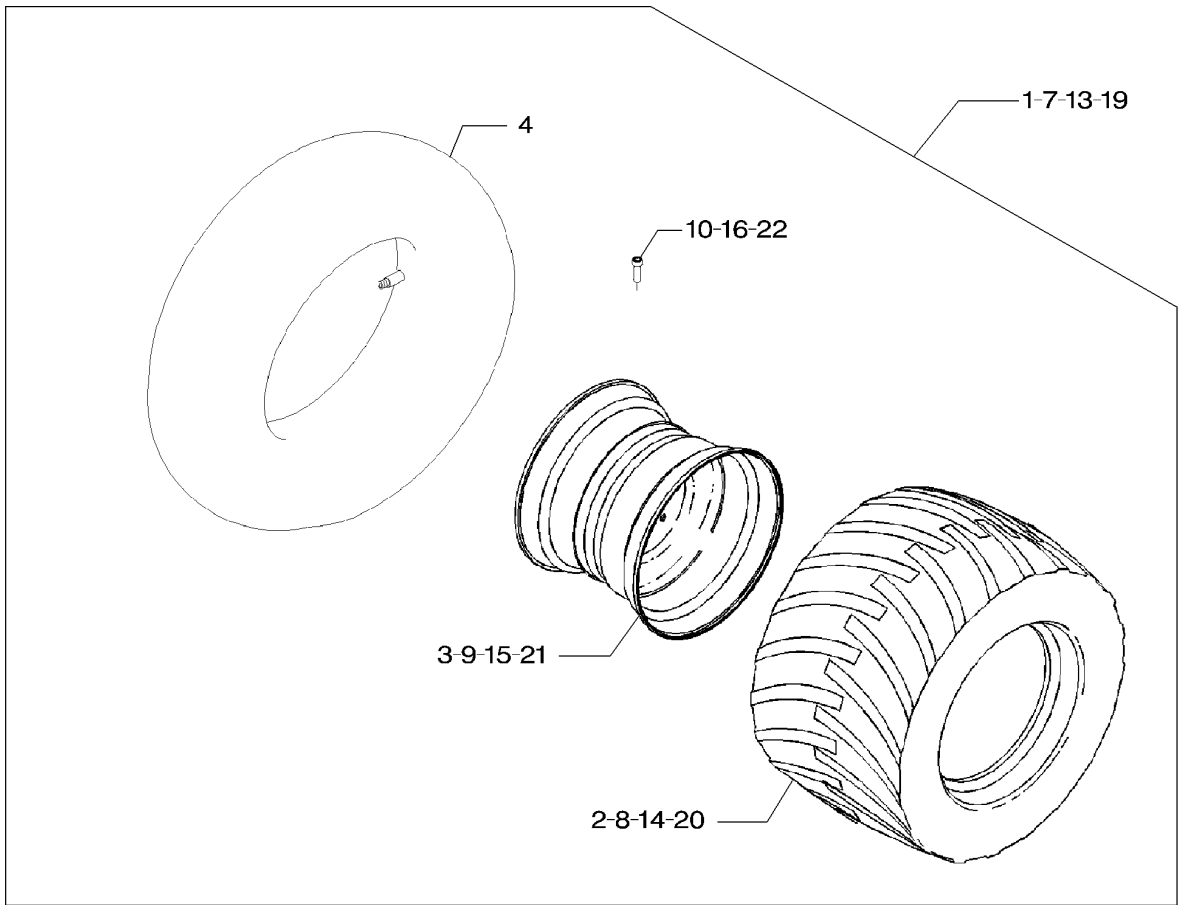
1	71377724		2	OIL SEAL	BAGUE ETANCHEITE	OELDICHTRING	BUJE RETENACEITE
2	71377547		2	SHAFT	ARBRE	WELLE	ARBOL
3	71377707		2	CARRIER	PORTE SATELLITES	TRAEGER	PORTADOR
3	353727X1	5/8"-11 X 1-3/4	12	BOLT UNC	BOULON UNC	MASCH.SCHRB.UNC	PERNO UNC
4	70042847		2	BALL BEARING	ROULEMENT BILLES	KUGELLAGER	COJINETE DE BOLA
5	71160055		2	RING	ANNEAU	RING.	ANILLO
6	70927321		2	RING	ANNEAU	RING.	ANILLO
7	70923594		2	O RING	JOINT TORIQUE	O-RING	JUNTA TOROIDAL
8	71377717	▲ .0050	X	SHIM	CALE REGLAGE	AUSGLEICHSCHEIBE	CALCE
8	71377718	▲ .0076	X	SHIM	CALE REGLAGE	AUSGLEICHSCHEIBE	CALCE
8	71377719	▲ .127	X	SHIM	CALE REGLAGE	AUSGLEICHSCHEIBE	CALCE
8	71377720	▲ .177	X	SHIM	CALE REGLAGE	AUSGLEICHSCHEIBE	CALCE
8	71377721	▲ .254	X	SHIM	CALE REGLAGE	AUSGLEICHSCHEIBE	CALCE
9	70930426		2	CUP	COUPELLE	LAUFRING	CUBETA
10	70930424		2	BEARING CONE	CONE ROULEMENT	LAGERINNENRING	CONO COJINETE
12	71398330		1	GEAR	ENGRENAGE	ZAHNRAD	ENGRANAJE
13	71160085		2	WASHER	RONDELLE	SCHEIBE	ARANDELA
14	71344598		2	GEAR	ENGRENAGE	ZAHNRAD	ENGRANAJE
15	71347782		4	WASHER	RONDELLE	SCHEIBE	ARANDELA
16	71344597		4	PINION	PIGNON	RITZEL	PINON
17	71347777		1	SPIDER.	ETOILE	STERN	CRUCETA.
18	71386867		1	CASE	CAISSETTE	KASTEN	ESTUCHE
19	71386866		1	CASE	CAISSETTE	KASTEN	ESTUCHE
20	71398327		1	DIFFERENTIAL	DIFFERENTIEL	DIFFERENTIAL	DIFERENCIAL
20	79014625		X	LOCTITE	LOCTITE	LOCTITE	LOCTITE
20	79021648		X	PRIMER	AMORCE	HANDPUMPHEBEL	IMPRIMACION
20	79021669		X	LOCTITE	LOCTITE	LOCTITE	LOCTITE
20	71387506		1	KIT	JEU	SATZ	JUEGO
21	70927469		4	CAPSCREW	VIS BOUCHON	HUTSCHRAUBE	TORNILLO TAPON
22	70923154	1/2"-13 X 1-1/2	4	CAPSCREW	VIS BOUCHON	HUTSCHRAUBE	TORNILLO TAPON
23	354661X1	1/2"-13 X 3-3/4	8	BOLT UNC	BOULON UNC	MASCH.SCHRB.UNC	PERNO UNC
24	705541	1/2"	16	WASHER	RONDELLE	SCHEIBE	ARANDELA

1*D46140066		2 FINAL DRIVE	REDUCTION FINALE	ENDANTRIEB	REDUCCION FINAL
1*D46140073	➔ 61933	2 FINAL DRIVE	REDUCTION FINALE	ENDANTRIEB	REDUCCION FINAL
2 71304265		2 PLATE	PLAQUE	PLATTE	PLATO
3 70950388		3 SCREW	VIS	SCHRAUBE	TORNILLO
3 71391572		2 PLATE	PLAQUE	PLATTE	PLATO
4 71304262	⚡ .005	2 SHIM	CALE REGLAGE	AUSGLEICHSCHEIBE	CALCE
4 71304263	⚡ .007	2 SHIM	CALE REGLAGE	AUSGLEICHSCHEIBE	CALCE
4 71304264	⚡ .010	2 SHIM	CALE REGLAGE	AUSGLEICHSCHEIBE	CALCE
5 70930884		2 BEARING CONE	CONE ROULEMENT	LAGERINNENRING	CONO COJINETE
6 70930883		2 BEARING CUP	CUVETTE ROULEMNT	LAGERAUSSENRING	ANILLO COJINETE
7 71304266		2 SPACER	ENTRETOISE	ABSTANDSTUECK	DISCO ESPACIADOR
8 71373573		2 HOUSING	CARTER	GEHAEUSE	ALOJAMIENTO
8 70950386		14 CAPSCREW	VIS BOUCHON	HUTSCHRAUBE	TORNILLO TAPON
8 LC2312031		X CLEAR.SIL.310ML	CLEAR.SIL.310ML	CLEAR.SIL.310ML	CLEAR.SIL.310ML
8 70926551		6 PIN	GOUPILLE	STIFT	PASADOR
9 71304267		1 RING	ANNEAU	RING.	ANILLO
10 71389647		2 GEAR	ENGRENAGE	ZAHNRAD	ENGRANAJE
11 71334701		2 HOUSING	CARTER	GEHAEUSE	ALOJAMIENTO
12 7713860		2 BEARING CUP	CUVETTE ROULEMNT	LAGERAUSSENRING	ANILLO COJINETE
13 71314481		2 BEARING CONE	CONE ROULEMENT	LAGERINNENRING	CONO COJINETE
14 7744477		2 OIL SEAL	BAGUE ETANCHEITE	OELDICHTRING	BUJE RETENACEITE
14 71370926		20 SPACER	ENTRETOISE	ABSTANDSTUECK	DISCO ESPACIADOR
15 71327595		2 AXLE	ESSIEU	ACHSE	EJE
16 705665	7/8"	20 WASHER	RONDELLE	SCHEIBE	ARANDELA
17 70925806		20 CAPSCREW	VIS BOUCHON	HUTSCHRAUBE	TORNILLO TAPON
21 700717365		2 OIL SEAL	BAGUE ETANCHEITE	OELDICHTRING	BUJE RETENACEITE
22 71304292		2 RETAINER	RETENEUR	HALTERING	RETENEDOR
22 70950377		4 CAPSCREW	VIS BOUCHON	HUTSCHRAUBE	TORNILLO TAPON
22 70950417		4 CAPSCREW	VIS BOUCHON	HUTSCHRAUBE	TORNILLO TAPON
23 71166170	⚡ .127	2 SHIM	CALE REGLAGE	AUSGLEICHSCHEIBE	CALCE
23 71166171	⚡ .178	2 SHIM	CALE REGLAGE	AUSGLEICHSCHEIBE	CALCE
23 71166172	⚡ .254	2 SHIM	CALE REGLAGE	AUSGLEICHSCHEIBE	CALCE
24 70923816		2 O RING	JOINT TORIQUE	O-RING	JUNTA TOROIDAL
25 71162782		2 BEARING CUP	CUVETTE ROULEMNT	LAGERAUSSENRING	ANILLO COJINETE
26 71162781		2 BEARING CONE	CONE ROULEMENT	LAGERINNENRING	CONO COJINETE
27*71389646		2 GEAR	ENGRENAGE	ZAHNRAD	ENGRANAJE
27*71400417	➔ 61933	2 GEAR	ENGRENAGE	ZAHNRAD	ENGRANAJE
28 70210011		2 CONE	CONE	KONUS	CONO
29 70210012		2 BEARING CUP	CUVETTE ROULEMNT	LAGERAUSSENRING	ANILLO COJINETE
30 70933295		4 RING	ANNEAU	RING.	ANILLO
31 71304271		2 PLUG	BOUCHON	STOPFEN	TAPON
31 355619X1	3/8"	6 FLAT WASHER	RONDELLE PLATE	UNTERLEGSCHIEBEN	ARANDELA PLANA
31 70950264		6 CAPSCREW	VIS BOUCHON	HUTSCHRAUBE	TORNILLO TAPON
32 71340437		2 VENT	EVENT	VENTILATION	TOMA DE AIRE
32 71313115		2 VENT	EVENT	VENTILATION	TOMA DE AIRE
32 70912094		2 BUSH	BAGUE	RING	CASQUILLO
32 70923690		2 ELBOW	COUDE	WINKELSTUECK	CODO
33 71311546		4 STUD	GOUJON	STEBOLZEN	ESPARRAGO ROSCA.
33 70933817		4 CAPSCREW	VIS BOUCHON	HUTSCHRAUBE	TORNILLO TAPON
33 71339238		4 WASHER	RONDELLE	SCHEIBE	ARANDELA
33 70933813		4 NUT	ECROU	MUTTER	TUERCA
33 79021648		X PRIMER	AMORCE	HANDPUMPHEBEL	IMPRIMACION
33 70936750		X LOCTITE	LOCTITE	LOCTITE	LOCTITE
34 71183757		4 GASKET	JOINT	FLACHDICHTUNG	JUNTA PLANA
35 71369299		4 PLUG	BOUCHON	STOPFEN	TAPON
36 71312323		2 CAP	CHAPEAU	KAPPE	TAPA
36 70901480		2 NIPPLE	GRAISSEUR COUDE	NIPPEL	NIPLE
36 70921419		2 ELBOW	COUDE	WINKELSTUECK	CODO
36 70901840		2 BUSH	BAGUE	RING	CASQUILLO
37 3008469	⇒ 70904224	2 PLUG	BOUCHON	STOPFEN	TAPON
38 71304261		2 CAP	CHAPEAU	KAPPE	TAPA



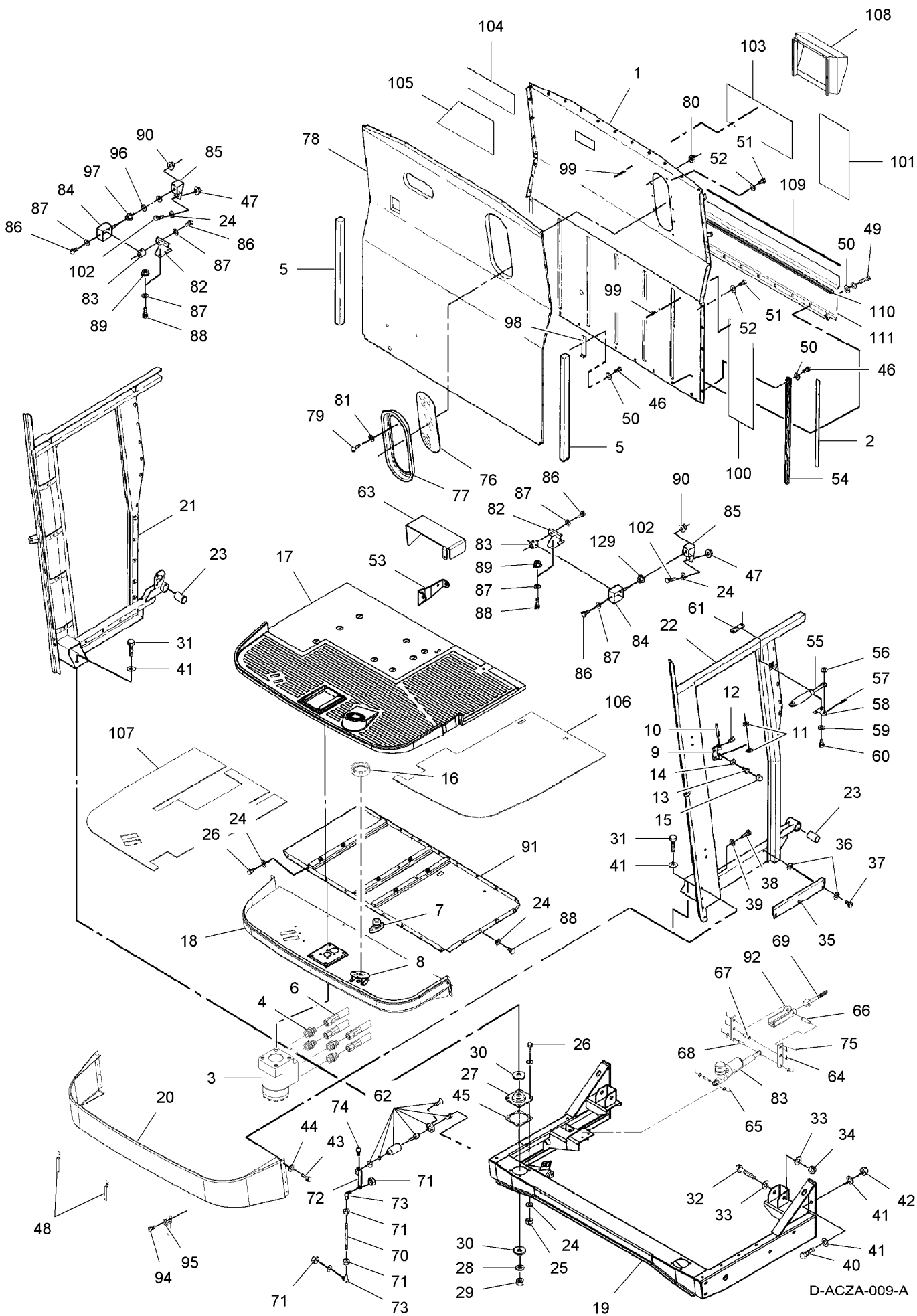
D-ABZM-003-A

1	D28182372	▶ CPL. 4WD	X WHEEL	ROUE	RAD	RUEDA
1	D28182373	◀ CPL. 4WD	X WHEEL	ROUE	RAD	RUEDA
2	D46732800	1 500/60-26,5	X TYRE	PNEU	REIFEN	NEUMATICO
3	D28182354	1 16X26,5	X WHEEL RIM	JANTE	FELGE	LLANTA
4	D46738700	1	X PRESSURE VALVE	VALVE	DRUCKVENTIL	VALVULA PRESION
7	D28182378	▶ CPL. 4WD	X WHEEL	ROUE	RAD	RUEDA
7	D28182379	◀ CPL. 4WD	X WHEEL	ROUE	RAD	RUEDA
8	D46732700	7 600/55-26,5	X TYRE	PNEU	REIFEN	NEUMATICO
9	D28182357	7 20X26,5	X WHEEL RIM	JANTE	FELGE	LLANTA
10	D46738700	7	X PRESSURE VALVE	VALVE	DRUCKVENTIL	VALVULA PRESION
13	D28186104	▶ CPL. 4WD	X WHEEL	ROUE	RAD	RUEDA
13	D28186105	◀ CPL. 4WD	X WHEEL	ROUE	RAD	RUEDA
14	D46733200	13 15,5/80-24	X TYRE	PNEU	REIFEN	NEUMATICO
15	D28186101	13 15,5/80-24	X WHEEL RIM	JANTE	FELGE	LLANTA
16	D46708400	13 14,9-24	X TYRE TUBE	CHAMBRE A AIR	REIFENSCHLAUCH	TYRE TUBE
19	D28185883	▶ CPL.	X WHEEL	ROUE	RAD	RUEDA
19	D28185884	◀ CPL.	X WHEEL	ROUE	RAD	RUEDA
20	D46733200	19 15,5/80-24	X TYRE	PNEU	REIFEN	NEUMATICO
21	D28185876	19 15,5/80-24	X WHEEL RIM	JANTE	FELGE	LLANTA
22	D46708400	19 14,9-24	X TYRE TUBE	CHAMBRE A AIR	REIFENSCHLAUCH	TYRE TUBE
25	D28185891	▶ CPL.	X WHEEL	ROUE	RAD	RUEDA
25	D28185892	◀ CPL.	X WHEEL	ROUE	RAD	RUEDA
26	D46732600	25 600/75R34	X TYRE	PNEU	REIFEN	NEUMATICO
27	D28185806	25 DW20AX34	X WHEEL RIM	JANTE	FELGE	LLANTA
28	D46738700	25	X PRESSURE VALVE	VALVE	DRUCKVENTIL	VALVULA PRESION
31	D28182348	▶ CPL.	X WHEEL	ROUE	RAD	RUEDA
31	D28182349	◀ CPL.	X WHEEL	ROUE	RAD	RUEDA
32	D46732800	31 500/60-26,5	X TYRE	PNEU	REIFEN	NEUMATICO
33	D28182346	31 16,00X26,5	X WHEEL RIM	JANTE	FELGE	LLANTA
34	D46738700	31	X PRESSURE VALVE	VALVE	DRUCKVENTIL	VALVULA PRESION
37	D28182372	▶ CPL.	X WHEEL	ROUE	RAD	RUEDA
37	D28182373	◀ CPL.	X WHEEL	ROUE	RAD	RUEDA
38	D46732800	37 500/60-26,5	X TYRE	PNEU	REIFEN	NEUMATICO
39	D28182354	37 16,00X26,5	X WHEEL RIM	JANTE	FELGE	LLANTA
40	D46738700	37	X PRESSURE VALVE	VALVE	DRUCKVENTIL	VALVULA PRESION
70	D28185842	▶ CPL.	X WHEEL	ROUE	RAD	RUEDA
70	D28185843	◀ CPL.	X WHEEL	ROUE	RAD	RUEDA
71	D46732600	70 620/75R34	X TYRE	PNEU	REIFEN	NEUMATICO
72	D28185813	70 DW20AX34	X WHEEL RIM	JANTE	FELGE	LLANTA
73	D46738800	70 23,1-34	X TYRE TUBE	CHAMBRE A AIR	REIFENSCHLAUCH	TYRE TUBE
76	D28185846	▶ CPL.	X WHEEL	ROUE	RAD	RUEDA
76	D28185847	◀ CPL.	X WHEEL	ROUE	RAD	RUEDA
77	D46732400	76 800/65R32	X TYRE	PNEU	REIFEN	NEUMATICO
78	D28185815	76 DH27X32	X WHEEL RIM	JANTE	FELGE	LLANTA
79	D46738100	76 30,5L-32	X TYRE TUBE	CHAMBRE A AIR	REIFENSCHLAUCH	TYRE TUBE
82	D28186346	▶ CPL.	X WHEEL	ROUE	RAD	RUEDA
82	D28186347	◀ CPL.	X WHEEL	ROUE	RAD	RUEDA
83	D46732200	82 900/55R32	X TYRE	PNEU	REIFEN	NEUMATICO
84	D28185815	82 DH27X32	X WHEEL RIM	JANTE	FELGE	LLANTA
85	D46738100	82 30,5L-32	X TYRE TUBE	CHAMBRE A AIR	REIFENSCHLAUCH	TYRE TUBE
88	D28186926	▶ CPL.GOODYEAR	X WHEEL	ROUE	RAD	RUEDA
88	D28186927	◀ CPL.GOODYEAR	X WHEEL	ROUE	RAD	RUEDA
89	D46732400	88 800/65R32	X TYRE	PNEU	REIFEN	NEUMATICO
90	D28186923	88 DW27AX32	X WHEEL RIM	JANTE	FELGE	LLANTA
91	D46738100	88 30,5L-32	X TYRE TUBE	CHAMBRE A AIR	REIFENSCHLAUCH	TYRE TUBE
94	D28186951	▶ CPL.GOODYEAR	X WHEEL	ROUE	RAD	RUEDA
94	D28186952	◀ CPL.GOODYEAR	X WHEEL	ROUE	RAD	RUEDA
95	D46732200	94 900/55R32	X TYRE	PNEU	REIFEN	NEUMATICO
96	D28186923	94 DW27AX32	X WHEEL RIM	JANTE	FELGE	LLANTA
97	D46738100	94 30,5L-32	X TYRE TUBE	CHAMBRE A AIR	REIFENSCHLAUCH	TYRE TUBE



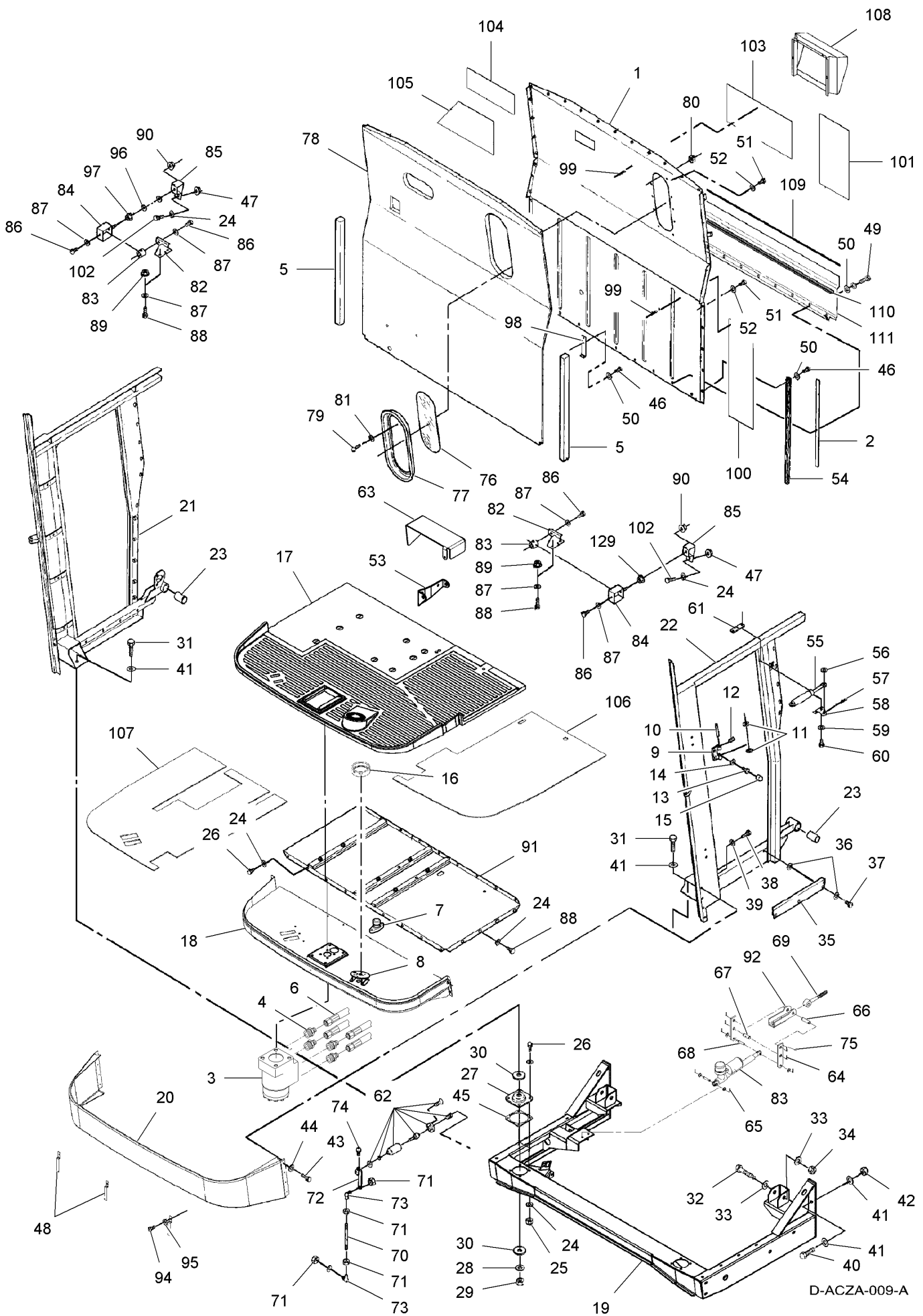
D-ABZL-003-A

1	D28185883	▶ CPL.	X WHEEL	ROUE	RAD	RUEDA
1	D28185884	◀ CPL.	X WHEEL	ROUE	RAD	RUEDA
2	D46733200	1 15,5/80-24	X TYRE	PNEU	REIFEN	NEUMATICO
3	D28185876	1 15,5/80-24	X WHEEL RIM	JANTE	FELGE	LLANTA
4	D46708400	1 14,9-24	X TYRE TUBE	CHAMBRE A AIR	REIFENSCHLAUCH	TYRE TUBE
7	D28185891	▶ CPL.	X WHEEL	ROUE	RAD	RUEDA
7	D28185892	◀ CPL.	X WHEEL	ROUE	RAD	RUEDA
8	D46732600	7 600/75R34	X TYRE	PNEU	REIFEN	NEUMATICO
9	D28185806	7 DW20AX34	X WHEEL RIM	JANTE	FELGE	LLANTA
10	D46738700	7	X PRESSURE VALVE	VALVE	DRUCKVENTIL	VALVULA PRESION
13	D28182348	▶ CPL.	X WHEEL	ROUE	RAD	RUEDA
13	D28182349	◀ CPL.	X WHEEL	ROUE	RAD	RUEDA
14	D46732800	13 500/60-26,5	X TYRE	PNEU	REIFEN	NEUMATICO
15	D28182346	13 16,00X26,5	X WHEEL RIM	JANTE	FELGE	LLANTA
16	D46738700	13	X PRESSURE VALVE	VALVE	DRUCKVENTIL	VALVULA PRESION
19	D28182372	▶ CPL.	X WHEEL	ROUE	RAD	RUEDA
19	D28182373	◀ CPL.	X WHEEL	ROUE	RAD	RUEDA
20	D46732800	19 500/60-26,5	X TYRE	PNEU	REIFEN	NEUMATICO
21	D28182354	19 16,00X26,5	X WHEEL RIM	JANTE	FELGE	LLANTA
22	D46738700	19	X PRESSURE VALVE	VALVE	DRUCKVENTIL	VALVULA PRESION
100	D28185834	▶ CPL.	X WHEEL	ROUE	RAD	RUEDA
100	D28185835	◀ CPL.	X WHEEL	ROUE	RAD	RUEDA
101	D46732400	100 800/65R32	X TYRE	PNEU	REIFEN	NEUMATICO
102	D28185809	100 DH27X32	X WHEEL RIM	JANTE	FELGE	LLANTA
103	D46738700	100	X PRESSURE VALVE	VALVE	DRUCKVENTIL	VALVULA PRESION
106	D28185838	▶ CPL.MICHELIN	X WHEEL	ROUE	RAD	RUEDA
106	D28185839	◀ CPL.MICHELIN	X WHEEL	ROUE	RAD	RUEDA
107	D46735300	106 1050/50R32	X TYRE	PNEU	REIFEN	NEUMATICO
108	D28185811	106 DH36X32	X WHEEL RIM	JANTE	FELGE	LLANTA
109	D46738700	106	X PRESSURE VALVE	VALVE	DRUCKVENTIL	VALVULA PRESION
112	D28186342	▶ CPL.	X WHEEL	ROUE	RAD	RUEDA
112	D28186343	◀ CPL.	X WHEEL	ROUE	RAD	RUEDA
113	D46732200	112 900/55R32	X TYRE	PNEU	REIFEN	NEUMATICO
114	D28185815	112 DH27X32	X WHEEL RIM	JANTE	FELGE	LLANTA
115	D46738700	112	X PRESSURE VALVE	VALVE	DRUCKVENTIL	VALVULA PRESION
118	D28186069	▶ CPL.CONTINENTAL	X WHEEL	ROUE	RAD	RUEDA
118	D28186070	◀ CPL.CONTINENTAL	X WHEEL	ROUE	RAD	RUEDA
119	D46732000	118 650/75R32	X TYRE	PNEU	REIFEN	NEUMATICO
120	D28186066	118 DH21X32	X WHEEL RIM	JANTE	FELGE	LLANTA
121	D46738700	118	X PRESSURE VALVE	VALVE	DRUCKVENTIL	VALVULA PRESION
124	D28186905	▶ CPL.CONTINENTAL	X WHEEL	ROUE	RAD	RUEDA
124	D28186906	◀ CPL.CONTINENTAL	X WHEEL	ROUE	RAD	RUEDA
125	D46732000	124 650/5R32	X TYRE	PNEU	REIFEN	NEUMATICO
126	D28186902	124 DW21AX32	X WHEEL RIM	JANTE	FELGE	LLANTA
127	D46738700	124	X PRESSURE VALVE	VALVE	DRUCKVENTIL	VALVULA PRESION
130	D28186912	▶ CPL.GOODYEAR	X WHEEL	ROUE	RAD	RUEDA
130	D28186913	◀ CPL.GOODYEAR	X WHEEL	ROUE	RAD	RUEDA
131	D46732400	130 800/65R32	X TYRE	PNEU	REIFEN	NEUMATICO
132	D28186909	130 DW27AX32	X WHEEL RIM	JANTE	FELGE	LLANTA
133	D46738700	130	X PRESSURE VALVE	VALVE	DRUCKVENTIL	VALVULA PRESION
136	D28186919	▶ CPL.MICHELIN	X WHEEL	ROUE	RAD	RUEDA
136	D28186920	◀ CPL.MICHELIN	X WHEEL	ROUE	RAD	RUEDA
137	D46735300	136 1050/50R32	X TYRE	PNEU	REIFEN	NEUMATICO
138	D28186916	136 DH36AX32	X WHEEL RIM	JANTE	FELGE	LLANTA
139	D46738700	136	X PRESSURE VALVE	VALVE	DRUCKVENTIL	VALVULA PRESION
142	D28186971	▶ CPL.	X WHEEL	ROUE	RAD	RUEDA
142	D28186972	◀ CPL.	X WHEEL	ROUE	RAD	RUEDA
143	D46732200	142 900/55R32	X TYRE	PNEU	REIFEN	NEUMATICO
144	D28186923	142 DW27AX32	X WHEEL RIM	JANTE	FELGE	LLANTA
145	D46738700	142	X PRESSURE VALVE	VALVE	DRUCKVENTIL	VALVULA PRESION



D-ACZA-009-A

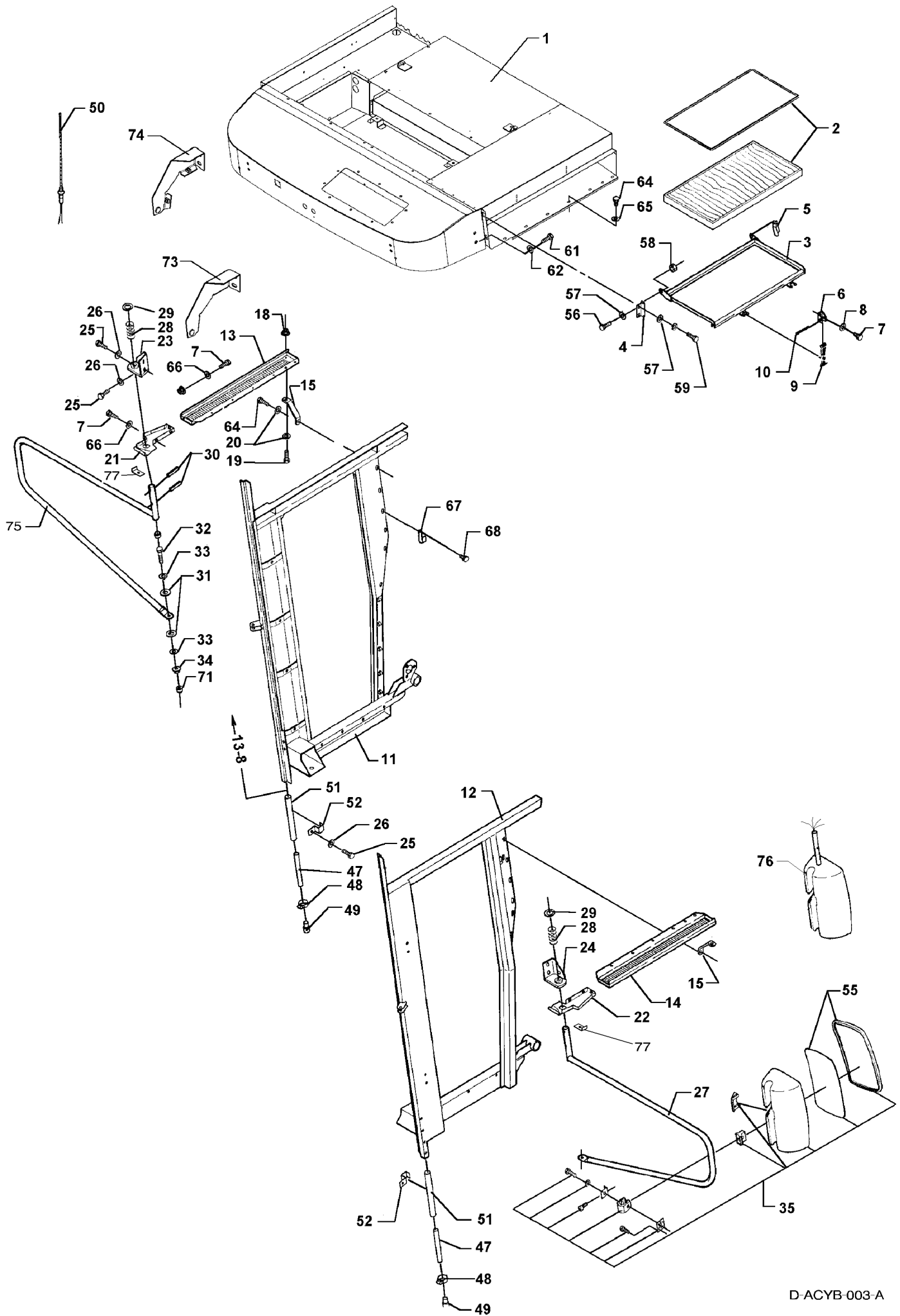
1	D28980576		1	SIDE	COTE	SEITEN	LATERAL
2	D28980953		5	STRIP	RUBAN	STREIFEN	TIRA
3	D45169500		1	PRESSURE VALVE	VALVE	DRUCKVENTIL	VALVULA PRESION
3	D45120029	①	1	PRESSURE VALVE	VALVE	DRUCKVENTIL	VALVULA PRESION
4	D45252700		4	UNION	RACCORD	VERSCHRAUBUNG	RACOR
5	D28980853		2	LINING	GARNITURE FRICT	BELAG	FORRO
6	D45130026		4	HYDR. HOSE	FLEXIBLE	HYDR. SCHLAUCH	TUBO HIDRAULICO
7	D45050045		1	SWITCH	INTERRUPTEUR	SCHALTER	INTERRUPTOR
8	D28989012	18	1	SUPPORT	SUPPORT	TRAGER	SOPORTE
9	D28980512		2	HINGE	CHARNIERE	SCHARNIER	CHARNELA
10	D42694100		2	PIN	GOUPILLE	STIFT	PASADOR
11	D43406400		4	WASHER	RONDELLE	SCHEIBE	ARANDELA
12	D40630100		4	PIN	GOUPILLE	STIFT	PASADOR
13	3009492X1	M10 X 25	4	HEX. SOCK. SCREW	VIS TETE HEX	ZYLINDERSCHRAUBE	TORN.CAB.HUECA
14	D20400419		4	WASHER	RONDELLE	SCHEIBE	ARANDELA
15	D45744700		4	PROTECTOR	PROTECTEUR	SCHUTZ	PROTECTOR
16	D28981733		1	SUPPORT	SUPPORT	TRAGER	SOPORTE
17	D28981712		1	MAT	TAPIS	MATTE	ALFOMBRA
18	D28981714		1	FRAME	BATI	RAHMEN	BASTIDOR
19	D28981687		1	SUSPENSION	SUSPENSION	AUFHAENGUNG.	SUSPENSION
20	D28981358		1	TRIM	ENJOLIVEUR	ZIERLEISTE	TAPIZADO
21	*D28981368	▶▶▶ 61242	1	FRAME	BATI	RAHMEN	BASTIDOR
21	*D28981857	▶▶▶	1	FRAME	BATI	RAHMEN	BASTIDOR
22	D28981367		1	FRAME	BATI	RAHMEN	BASTIDOR
23	D46480600		2	DAMPER	AMORTISSEUR	DAEMPFER	VALV.REGULADORA
24	D20400506		X	WASHER	RONDELLE	SCHEIBE	ARANDELA
25	394367X1	M8	8	NUT	ECROU	MUTTER	TUERCA
26	339761X1	M8 X 25	8	HEX. SOCK. SCREW	VIS TETE HEX	ZYLINDERSCHRAUBE	TORN.CAB.HUECA
27	D46480400		2	DAMPER	AMORTISSEUR	DAEMPFER	VALV.REGULADORA
28	D20400429		2	WASHER	RONDELLE	SCHEIBE	ARANDELA
29	D41087800		2	LOCKNUT	ECROU FREIN	SICHERUNGSMUTTER	CONTRATUERCA
30	D20400460		4	WASHER	RONDELLE	SCHEIBE	ARANDELA
31	D40431500		2	SCREW METRIC	VIS METRIQUE	SCHRAUBE METR	TORNILLO METRICO
32	D40437700		2	SCREW	VIS	SCHRAUBE	TORNILLO
33	D20400441		4	WASHER	RONDELLE	SCHEIBE	ARANDELA
34	3010067X1	M20	2	LOCKNUT	ECROU FREIN	SICHERUNGSMUTTER	CONTRATUERCA
35	D28980926		1	STRIP	RUBAN	STREIFEN	TIRA
36	D20400506		6	WASHER	RONDELLE	SCHEIBE	ARANDELA
37	339124X1	M8 X 16	3	HEX. SOCK. SCREW	VIS TETE HEX	ZYLINDERSCHRAUBE	TORN.CAB.HUECA
38	3009492X1	M10 X 25	6	HEX. SOCK. SCREW	VIS TETE HEX	ZYLINDERSCHRAUBE	TORN.CAB.HUECA
39	D20400419		6	WASHER	RONDELLE	SCHEIBE	ARANDELA
40	1441602X1		8	BOLT METRIC	BOULON METRIQUE	MASCH.SCHRB MET	PERNO METRICO
41	D20400430		8	WASHER	RONDELLE	SCHEIBE	ARANDELA
42	D41087800		6	LOCKNUT	ECROU FREIN	SICHERUNGSMUTTER	CONTRATUERCA
43	D40749100		8	SCREW METRIC	VIS METRIQUE	SCHRAUBE METR	TORNILLO METRICO
44	D20400466		8	WASHER	RONDELLE	SCHEIBE	ARANDELA
45	D28981388		2	SPACER	ENTRETOISE	ABSTANDSTUECK	DISCO ESPACIADOR
46	339123X1	M8 X 20	3	HEX. SOCK. SCREW	VIS TETE HEX	ZYLINDERSCHRAUBE	TORN.CAB.HUECA
47	394367X1	M8	X	NUT	ECROU	MUTTER	TUERCA
48	D28980509		3	SUPPORT	SUPPORT	TRAGER	SOPORTE
49	339124X1	M8 X 16	9	HEX. SOCK. SCREW	VIS TETE HEX	ZYLINDERSCHRAUBE	TORN.CAB.HUECA
50	D20400506		9	WASHER	RONDELLE	SCHEIBE	ARANDELA
51	391074X1	M6 X 12	27	HEX. SOCK. SCREW	VIS TETE HEX	ZYLINDERSCHRAUBE	TORN.CAB.HUECA
52	391038X1		31	FLAT WASHER	RONDELLE PLATE	UNTERLEGSCHIEBEN	ARANDELA PLANA
53	D28981745		1	CLIP	PATTE D'ATTACHE	SHELLE	CLIP
54	D28760642		1	EARTH STRAP	FIL DE MASSE	MASSELEITUNG	CABLE TIERRA
55	D45061800		1	GAS STRUT	VERIN AMORTISSEU	GASZYLINDER	CILINDRO GAS
56	D20400500		2	SPACER	ENTRETOISE	ABSTANDSTUECK	DISCO ESPACIADOR
57	354057X1	1/8" X 3/4	2	SPLIT PIN	GOUPILLE FENDUE	SPALTBOLZEN	PASADOR HENDIDO
58	D28980456		1	BRACKET	SUPPORT FIXATION	HALTEAM	SOPORTE
59	391038X1		3	FLAT WASHER	RONDELLE PLATE	UNTERLEGSCHIEBEN	ARANDELA PLANA
60	339666X1	M6 X 20	3	HEX. SOCK. SCREW	VIS TETE HEX	ZYLINDERSCHRAUBE	TORN.CAB.HUECA
61	D28980571		1	THREADED PART	PIECE FILETEE	GEWINDESTUECK	VARILLA ROSCADO
62	D28780523		1	POTENTIOMETER	POTENTIOMETRE	POTENTIOMETER	REGULADOR ELECT.
63	D28981746		1	PLATE	PLAQUE	PLATTE	PLATO
64	339531X1	∅ 4 X 36	4	SPLIT PIN	GOUPILLE FENDUE	SPALTBOLZEN	PASADOR HENDIDO
65	391403X1	∅ 3,2 X 32	4	SPLIT PIN	GOUPILLE FENDUE	SPALTBOLZEN	PASADOR HENDIDO
66	D28981554		1	BOLT	BOULON	BOLZEN	BULON
67	D28981553		1	BOLT	BOULON	BOLZEN	BULON
68	D28981552		2	BOLT	BOULON	BOLZEN	BULON
69	D28981544		1	ROD	TRINGLE	STANGE	VARILLA
70	D28787070		1	ROD	TRINGLE	STANGE	VARILLA
71	D41010600	M6	4	NUT	ECROU	MUTTER	TUERCA
72	D28787068		1	ARM	BRAS	SCHARHEBEL	BRAZO
73	D46437300		2	TOGGLE	ROTULE	GELENZAPFEN	ROTULA
74	339560X1	M6 X 16	1	HEX. SOCK. SCREW	VIS TETE HEX	ZYLINDERSCHRAUBE	TORN.CAB.HUECA
75	D28981543		2	ARM	BRAS	SCHARHEBEL	BRAZO
76	D28980222		1	WINDOW	GLACE	FENSTER	VENTANA
77	D28981223		1	FRAME	BATI	RAHMEN	BASTIDOR
78	D28981821		1	CLADDING	HABILLAGE CABINE	VERKLEIDUNG	CHAQUETA
79	D40688000		10	SCREW	VIS	SCHRAUBE	TORNILLO



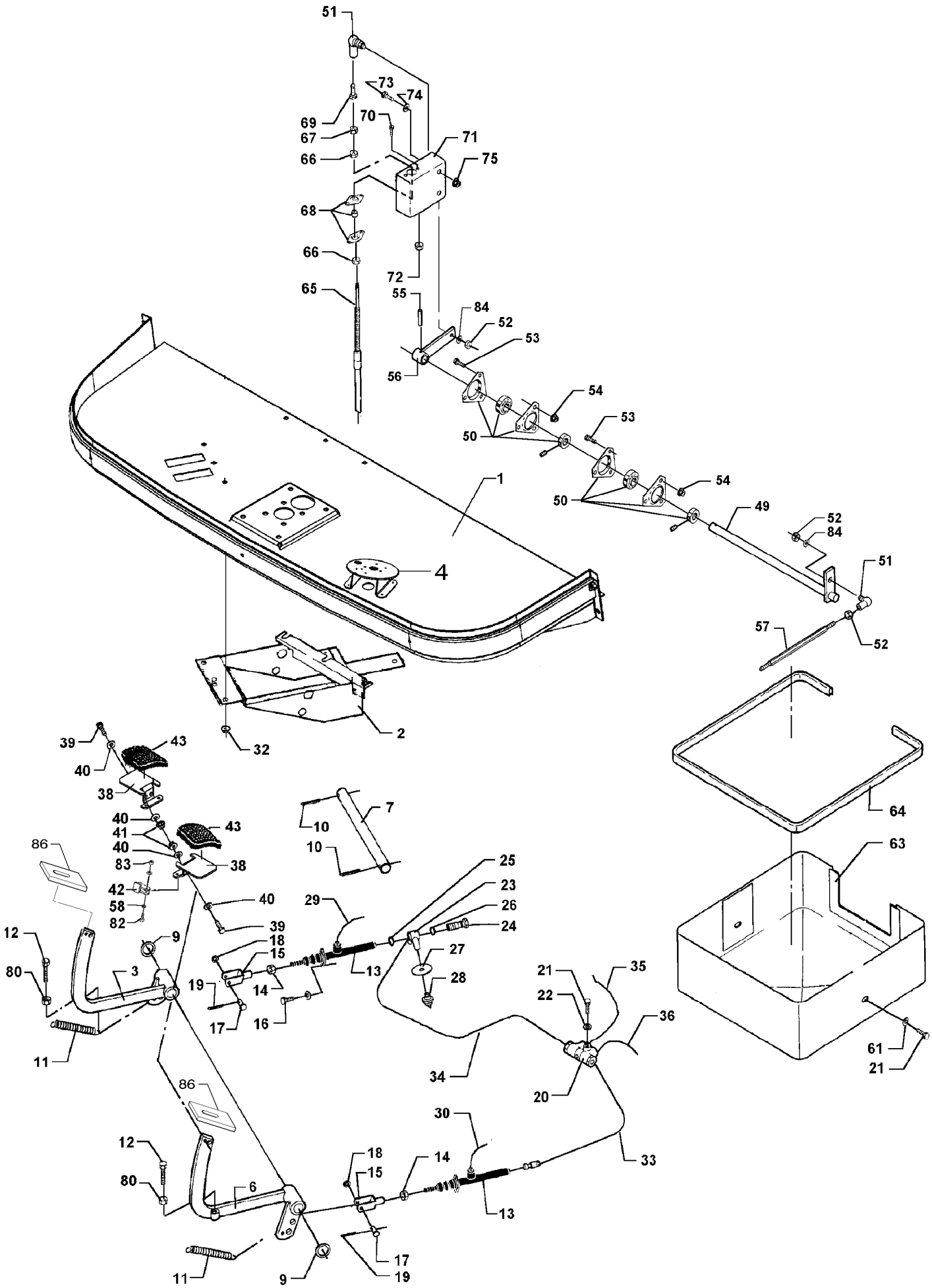
D-ACZA-009-A

80	1441462X1	M6	10	LOCKNUT	ECROU FREIN	SICHERUNGSMUTTER	CONTRATUERCA
81	D20400404		10	WASHER	RONDELLE	SCHEIBE	ARANDELA
82	D28980984		2	BRACKET	SUPPORT FIXATION	HALTEARM	SOPORTE
83	D28785467		1	ACTUATOR	DECLENCHEUR	AKTOR	ACTUADOR
84	D28980987		2	STIRRUP	ETRIER	BUEGEL	FUACION
85	D28880301		2	TENSIONER	TENDEUR	SPANNER	TENSOR
86	339124X1	M8 X 16	4	HEX. SOCK. SCREW	VIS TETE HEX	ZYLINDERSCHRAUBE	TORN.CAB.HUECA
87	D20400506		4	WASHER	RONDELLE	SCHEIBE	ARANDELA
88	339123X1	M8 X 20	X	HEX. SOCK. SCREW	VIS TETE HEX	ZYLINDERSCHRAUBE	TORN.CAB.HUECA
89	394367X1	M8	4	NUT	ECROU	MUTTER	TUERCA
90	1440329X1	M10	4	LOCKNUT	ECROU FREIN	SICHERUNGSMUTTER	CONTRATUERCA
91	D28981563		1	PLATE	PLAQUE	PLATTE	PLATO
92	D28981541		1	TOP	COUVERCLE SUP	OBER	PARTE SUPERIOR
94	339124X1	M8 X 16	3	HEX. SOCK. SCREW	VIS TETE HEX	ZYLINDERSCHRAUBE	TORN.CAB.HUECA
95	D20400506		3	WASHER	RONDELLE	SCHEIBE	ARANDELA
96	D20400416		4	WASHER	RONDELLE	SCHEIBE	ARANDELA
97	339402X1	M10	2	NUT SPECIAL	ECROU SPECIAL	SPEZIALMUTTER	TUERCA ESPECIAL
98	D28980468		1	SUPPORT	SUPPORT	TRAGER	SOPORTE
99	D41397400		32	RIVET	RIVET	NIET	REMACHE
100	D28981524		1	SOUND REDUCTION	INSONORISATION	SCHALLDAEMMUNG	REDUCTOR SONIDO
101	D28981521		1	SOUND REDUCTION	INSONORISATION	SCHALLDAEMMUNG	REDUCTOR SONIDO
102	339337X1	M8 X 30	4	HEX. SOCK. SCREW	VIS TETE HEX	ZYLINDERSCHRAUBE	TORN.CAB.HUECA
103	D28981523		1	SOUND REDUCTION	INSONORISATION	SCHALLDAEMMUNG	REDUCTOR SONIDO
104	D28981820		1	SOUND REDUCTION	INSONORISATION	SCHALLDAEMMUNG	REDUCTOR SONIDO
105	D28981520		1	SOUND REDUCTION	INSONORISATION	SCHALLDAEMMUNG	REDUCTOR SONIDO
106	D28981715		1	PLATE	PLAQUE	PLATTE	PLATO
107	D28981564		1	PLATE	PLAQUE	PLATTE	PLATO
108	D28981327		1	DUCT	CONDUIT	DURCHFUEHRUNG	CONDUCTO DE AIRE
109	D44740600	[A] ◀▶ 25 m	X	STRIP	RUBAN	STREIFEN	TIRA
110	D44741200	[A] ◀▶ 5 m	X	STRIP	RUBAN	STREIFEN	TIRA
111	D28981236		1	SHIELD	TOLE	SCHILD	BLINDAJE
129	D46480700		1	BUFFER	BUTOIR	PUFFER	PARACHOQUES

[A] CUT TO REQUIRED LENGTH
 COUPER A LA LONGEUR DESIREE
 BENOETIGTE LAENGE ABSCHNEIDEN
 CORTAR A LA LONGITUD DESEADA



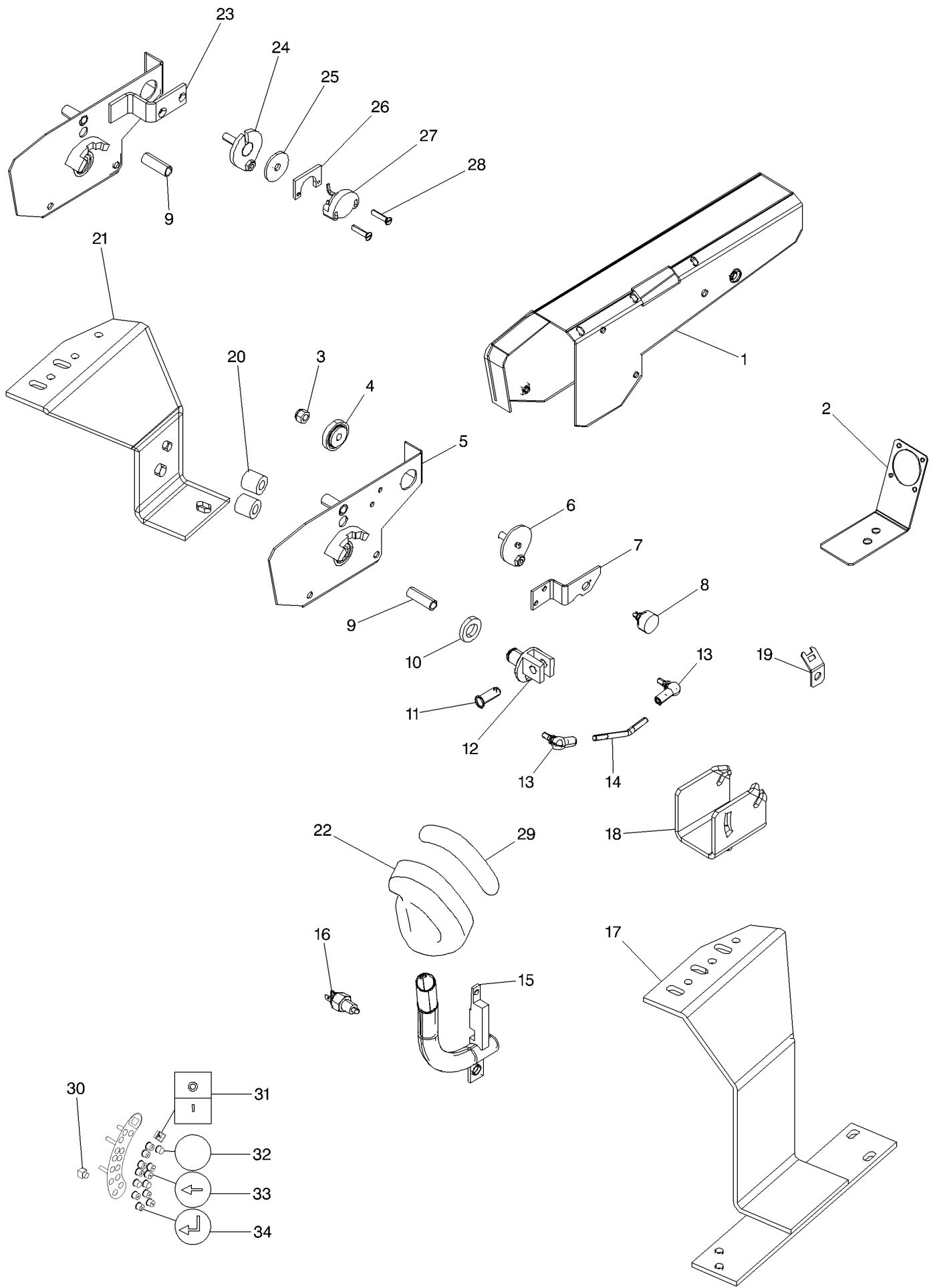
D-ACYB-003-A



D-ACYC-004-B

1	D28981714		1	FRAME	BATI	RAHMEN	BASTIDOR
2	D28981669		1	BRACKET	SUPPORT FIXATION	HALTEARM	SOPORTE
3	D28985768		1	BRAKE PEDAL	PEDALE DE FREIN	BREMSKLOTZ	PASTILLA D FRENO
4	D28989012	1	1	SUPPORT	SUPPORT	TRAGER	SOPORTE
6	D28985768		1	BRAKE PEDAL	PEDALE DE FREIN	BREMSKLOTZ	PASTILLA D FRENO
7	D28981670		1	SHAFT	ARBRE	WELLE	ARBOL
9	D43319300		2	BUSH	BAGUE	RING	CASQUILLO
10	354416X1	3/16" X 2-1/2	2	PIN	GOUPILLE	STIFT	PASADOR
11	D28800460		2	SPRING	RESSORT	FEDER	MUELLE
12	339337X1	M8 X 30	2	HEX. SOCK. SCREW	VIS TETE HEX	ZYLINDERSCHRAUBE	TORN.CAB.HUECA
13	D45908000		2	RAM	VERIN	HYDR.ZYLINDER	ARIETE
14	339402X1	M10	2	NUT SPECIAL	ECROU SPECIAL	SPEZIALMUTTER	TUERCA ESPECIAL
15	D45905300		2	FORK HEAD	TETE DE FOURCHE	GABELKOPF	CABEZA HORQUILLA
16	339761X1	M8 X 25	4	HEX. SOCK. SCREW	VIS TETE HEX	ZYLINDERSCHRAUBE	TORN.CAB.HUECA
17	D45905500		2	BOLT	BOULON	BOLZEN	BULON
18	D45905600		2	WASHER	RONDELLE	SCHEIBE	ARANDELA
19	354057X1	1/8" X 3/4	2	SPLIT PIN	GOUPILLE FENDUE	SPALTBOLZEN	PASADOR HENDIDO
20	D45908100		1	RAM	VERIN	HYDR.ZYLINDER	ARIETE
21	339124X1	M8 X 16	3	HEX. SOCK. SCREW	VIS TETE HEX	ZYLINDERSCHRAUBE	TORN.CAB.HUECA
22	D20400506		1	WASHER	RONDELLE	SCHEIBE	ARANDELA
23	D45908400		1	CONNECTOR	BORNE.	DOPPELNIPPEL	CONECTOR
24	D45908500		1	SCREW	VIS	SCHRAUBE	TORNILLO
25	D45713600		1	GASKET	JOINT	FLACHDICHTUNG	JUNTA PLANA
26	D45713700		1	GASKET	JOINT	FLACHDICHTUNG	JUNTA PLANA
27	D28780948		1	WASHER	RONDELLE	SCHEIBE	ARANDELA
28	D45908300		1	SWITCH	INTERRUPTEUR	SCHALTER	INTERRUPTOR
29	D28980948		1	PIPE	TUYAU	TUBE	TUBO
30	D28980947		1	PIPE	TUYAU	TUBE	TUBO
32	394367X1	M8	6	NUT	ECROU	MUTTER	TUERCA
33	D28985953		1	TUBE	TUBE	ROHR	TUBO.
34	D28985953		1	TUBE	TUBE	ROHR	TUBO.
35	D28980944		1	PIPE	TUYAU	TUBE	TUBO
36	D28980945		1	PIPE	TUYAU	TUBE	TUBO
38	D28981203	RH + LH	2	BRAKE PEDAL	PEDALE DE FREIN	BREMSKLOTZ	PASTILLA D FRENO
39	339804X1	M6 X 25	4	HEX. SOCK. SCREW	VIS TETE HEX	ZYLINDERSCHRAUBE	TORN.CAB.HUECA
40	D20400404		8	WASHER	RONDELLE	SCHEIBE	ARANDELA
41	1441462X1	M6	4	LOCKNUT	ECROU FREIN	SICHERUNGSMUTTER	CONTRATUERCA
42	D28981584		1	PAWL	LINGUET	SPERRKLINKE	FIADOR TRINQUETE
43	D44719500		1	RUBBER	CAOUTCHOUC	GUMMI	CAUCHO
49			X	NOT USED	NON UTILISE	NICHT VERWENDET	NO SE USA
50			X	NOT USED	NON UTILISE	NICHT VERWENDET	NO SE USA
51			X	NOT USED	NON UTILISE	NICHT VERWENDET	NO SE USA
52			X	NOT USED	NON UTILISE	NICHT VERWENDET	NO SE USA
53			X	NOT USED	NON UTILISE	NICHT VERWENDET	NO SE USA
54			X	NOT USED	NON UTILISE	NICHT VERWENDET	NO SE USA
55			X	NOT USED	NON UTILISE	NICHT VERWENDET	NO SE USA
56			X	NOT USED	NON UTILISE	NICHT VERWENDET	NO SE USA
57			X	NOT USED	NON UTILISE	NICHT VERWENDET	NO SE USA
58	D20400466		2	WASHER	RONDELLE	SCHEIBE	ARANDELA
61	D20400506		1	WASHER	RONDELLE	SCHEIBE	ARANDELA
63	D28980684		1	COVER	COUVERCLE	ABDECKUNG.	CUBIERTA
64	D28782160	[A] ◀▶ 10 m	X	GASKET	JOINT	FLACHDICHTUNG	JUNTA PLANA
65	D46439500		1	CABLE	CABLE	KABEL	CABLE
66	D46434600	65 M12	2	NUT	ECROU	MUTTER	TUERCA
67	D41010600	65 M6	1	NUT	ECROU	MUTTER	TUERCA
68	D46434800		1	TOGGLE	ROTULE	GELENKZAPFEN	ROTULA
69	D28760913		1	BOLT	BOULON	BOLZEN	BULON
70	339666X1	M6 X 20	2	HEX. SOCK. SCREW	VIS TETE HEX	ZYLINDERSCHRAUBE	TORN.CAB.HUECA
71	D28980806		1	BRACKET	SUPPORT FIXATION	HALTEARM	SOPORTE
72	1441462X1	M6	2	LOCKNUT	ECROU FREIN	SICHERUNGSMUTTER	CONTRATUERCA
73	3009493X1	M10 X 30	2	HEX. SOCK. SCREW	VIS TETE HEX	ZYLINDERSCHRAUBE	TORN.CAB.HUECA
74	D20400471		2	WASHER	RONDELLE	SCHEIBE	ARANDELA
75	1440329X1	M10	2	LOCKNUT	ECROU FREIN	SICHERUNGSMUTTER	CONTRATUERCA
80	339169X1	M8	2	NUT	ECROU	MUTTER	TUERCA
82	D40400900		1	SETSCREW	VIS DE BLOCAGE	STELLSCHRAUBE	SET SCREW
83	1441917X1	M5	1	LOCKNUT	ECROU FREIN	SICHERUNGSMUTTER	CONTRATUERCA
84	D41101900		2	SPRING WASHER	RONDELLE ELASTIQ	FEDERSCHEIBE	ARANDELA ELASTI.
86	D28981747		2	SEAL	JOINT ETANCHEITE	DICHTRING	JUNTA REDONDA

[A] CUT TO REQUIRED LENGTH
 COUPER A LA LONGEUR DESIREE
 BENOETIGTE LAENGE ABSCHNEIDEN
 CORTAR A LA LONGITUD DESEADA

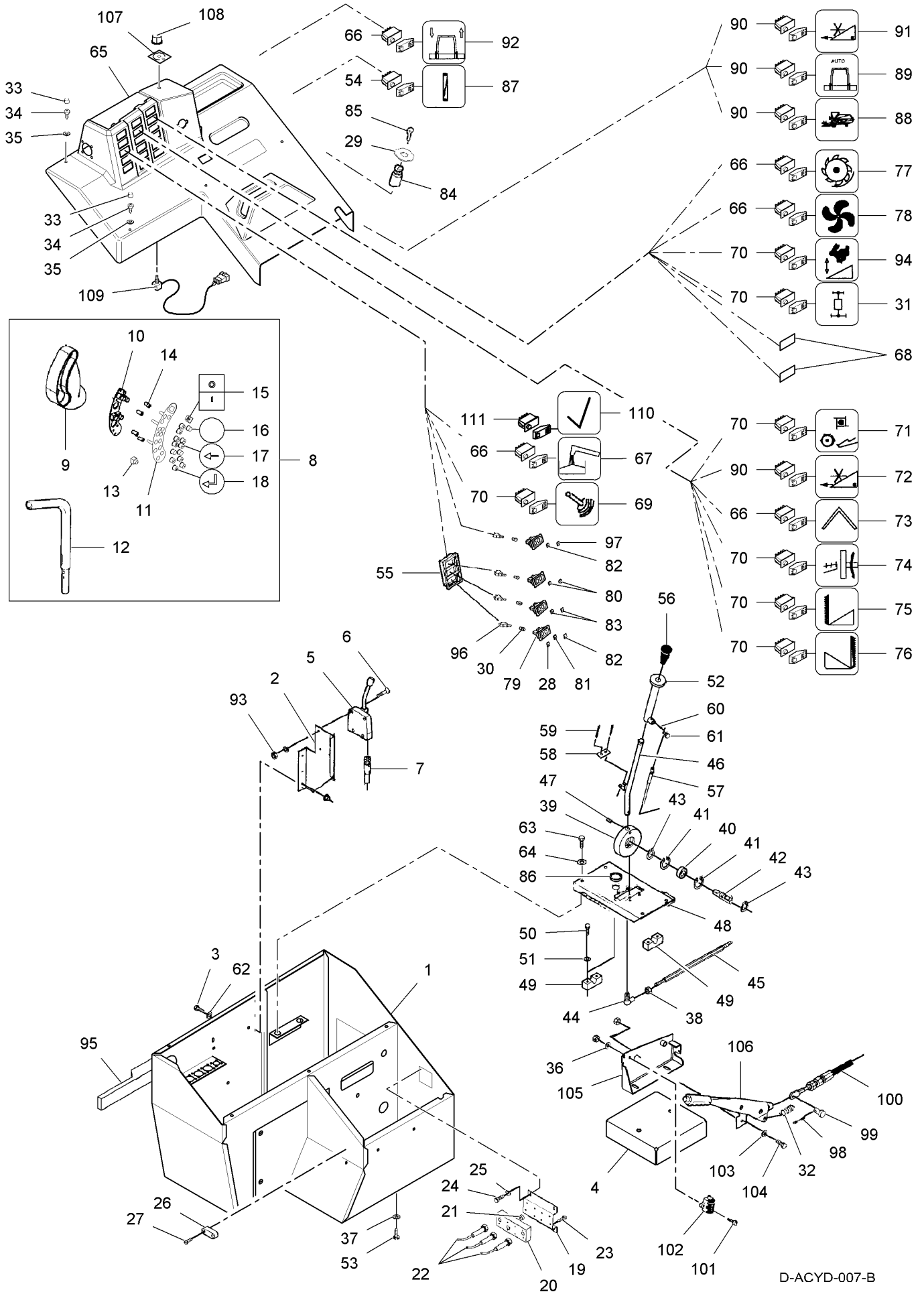


D-ACYM-003-A

1	D26734881		1	ARM	BRAS	SCHARHEBEL	BRAZO
2	D28984036		1	STRAP	PATTE	LASCHE	FAJA
3	394367X1	M8	1	NUT	ECROU	MUTTER	TUERCA
4	D28986138		1	FRICTION DISC	DISQUE FRICTION	REIBSCHEIBE	DISCO FRICCION
5	D28986151		1	SUPPORT	SUPPORT	TRAGER	SOPORTE
6	D28986149		1	ECCENTRIC	EXCENTRIQUE	EXZENTER	ECCENTRICA
7	D28986147		1	STRAP	PATTE	LASCHE	FAJA
8	D28782150		1	STOP	BUTEE	ANSCHLAG	PARO
9	D28986140		1	ROLL PIN	GOUPILLE ROULEE	SPANNHUELSE	PASADOR ELASTICO
10	D20400461		1	WASHER	RONDELLE	SCHEIBE	ARANDELA
11	D45905500		1	BOLT	BOULON	BOLZEN	BULON
12	D28986132		1	CLEVIS	CHAPE	GABELSTUECK	GANCHO SEGUR.
13	D46437300		2	TOGGLE	ROTULE	GELENKZAPPEN	ROTULA
14	D28986142		1	STEM	TIGE	MESSERSTIEL	VASTAGO
15	D28986130	[B]	1	LEVER	LEVIER	HEBEL	PALANCA
16	D44900429		1	SWITCH	INTERRUPTEUR	SCHALTER	INTERRUPTOR
17	D28986144	[C]	1	CONSOLE	CONSOLE	KONSOLE	CONSOLA
18	D26734846		1	SUPPORT	SUPPORT	TRAGER	SOPORTE
19			X	NOT USED	NON UTILISE	NICHT VERWENDET	NO SE USA
20	D28986146	[B]	2	SPACER	ENTRETOISE	ABSTANDSTUECK	DISCO ESPACIADOR
21	D28986143	[B]	1	CONSOLE	CONSOLE	KONSOLE	CONSOLA
22	D28981815	[B]	1	GRIP	POIGNEE	HANDGRIFF	MANGO
23	D28986123	[B]	1	SUPPORT	SUPPORT	TRAGER	SOPORTE
24	D28986136	[B]	1	ECCENTRIC	EXCENTRIQUE	EXZENTER	ECCENTRICA
25	D28986139	[B]	1	WASHER	RONDELLE	SCHEIBE	ARANDELA
26	D28985611	[B]	1	THREADED PART	PIECE FILETEE	GEWINDESTUECK	VARILLA ROSCADO
27	D28785504	[B]	1	POTENTIOMETER	POTENTIOMETRE	POTENTIOMETER	REGULADOR ELECT.
28	392383X1	[B]	2	SCREW	VIS	SCHRAUBE	TORNILLO
29	D28984035		1	CONTROL PANEL	PANNEAU DE CDE	BEDIENKONSOLE	PANEL DE MANDO
30				NOT USED	NON UTILISE	NICHT VERWENDET	NO SE USA
31				NOT USED	NON UTILISE	NICHT VERWENDET	NO SE USA
32				NOT USED	NON UTILISE	NICHT VERWENDET	NO SE USA
33				NOT USED	NON UTILISE	NICHT VERWENDET	NO SE USA
34				NOT USED	NON UTILISE	NICHT VERWENDET	NO SE USA

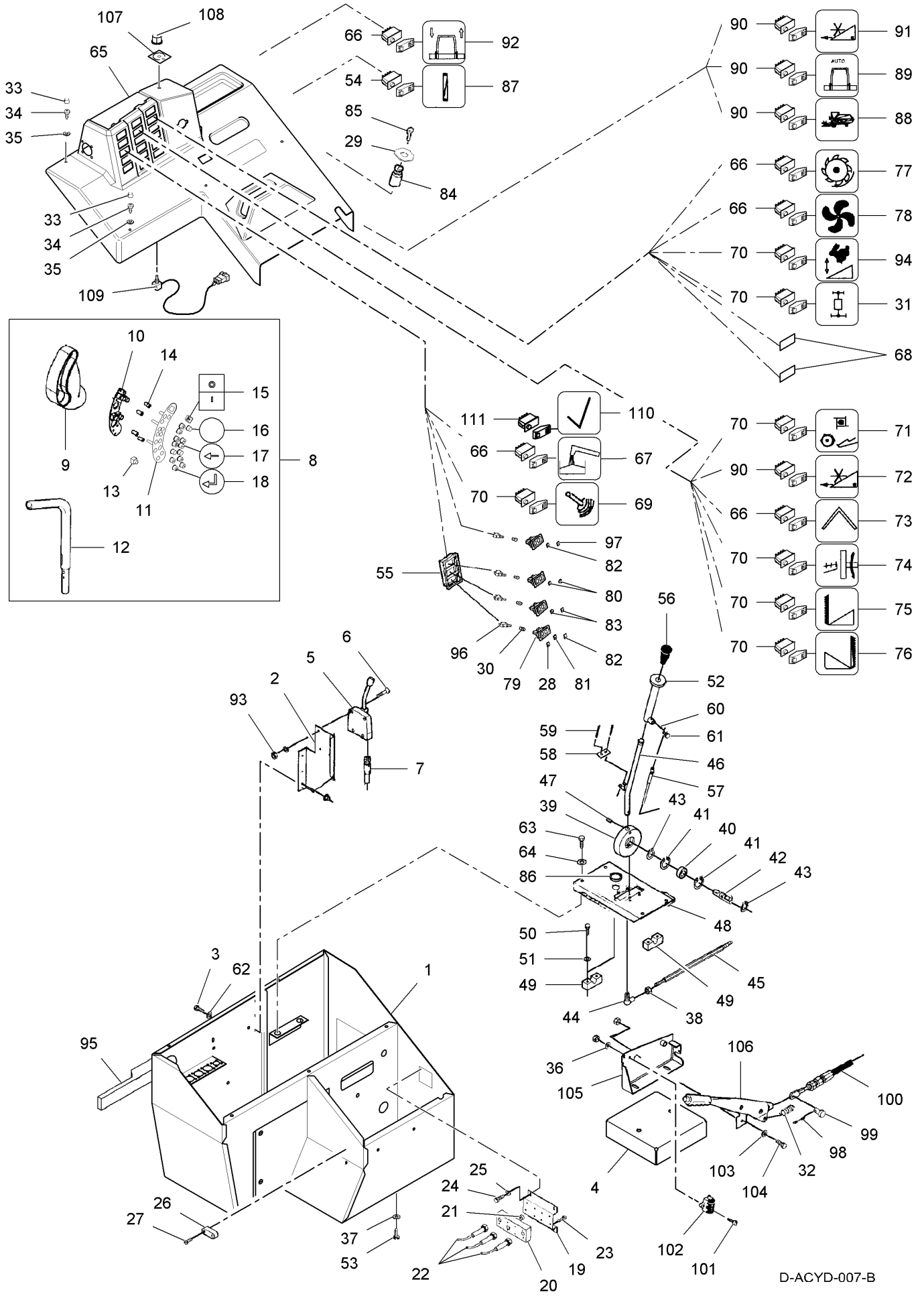
[B] COMBINES NO. 57975,57976,57977,57978,57979, 58068,58069,58070,58071
 POUR MOISSONEUSES NO. 57975,57976,57977,57978, 57979,58067,58068,58069,58070,58071
 FUER MASCHINE NO. 57975,57976,57977,57978,57979, 58068,58069,58070,58071
 PARA MACHINA NO. 57975,57976,57977,57978,57979, 58068,58069,58070,58071

[C] PNEUMATIC SEAT
 SIEGE PNEUMATIQUE
 SITZ MIT LUFTPOLSTERUNG
 ASIEN TO NEUMATICO



D-ACYD-007-B

1	D28981797		1	CONTROL BOX	BOITE COMMANDE	SPANNUNGSREGLER	CAJA DE CONTROL
1*	D28981858	➔ 61242	1	CONTROL BOX	BOITE COMMANDE	SPANNUNGSREGLER	CAJA DE CONTROL
2	D28980144		1	BRACKET	SUPPORT FIXATION	HALTEAM	SOPORTE
3	339560X1	M6 X 16	3	HEX. SOCK. SCREW	VIS TETE HEX	ZYLINDERSCHRAUBE	TORN.CAB.HUECA
4	D28981793		1	BRACKET	SUPPORT FIXATION	HALTEAM	SOPORTE
5	D46415200		1	LEVER	LEVIER	HEBEL	PALANCA
6	392383X1		4	SCREW	VIS	SCHRAUBE	TORNILLO
7	D46439700		1	THROTTLE CABLE	CABLE ACCELERAT.	DROSSELKABEL	CABLE DE MANDO
8	D28981816		1	GRIP	POIGNEE	HANDGRIFF	MANGO
8	D28986719	[C]	1	GRIP	POIGNEE	HANDGRIFF	MANGO
9		8	1	GRIP	POIGNEE	HANDGRIFF	MANGO
10		8	1	PRINTED CIRCUIT	CIRCUIT IMPRIME	GEDRUCKTESCHALTG	CIRCUITO IMPRESO
11		8	1	PRINTED CIRCUIT	CIRCUIT IMPRIME	GEDRUCKTESCHALTG	CIRCUITO IMPRESO
12		8	1	LEVER	LEVIER	HEBEL	PALANCA
13	D44900012	8	1	BUTTON	BOUTON	KNOPFTASTE	BOTON
14	D45020066	8	4	SPACER	ENTRETOISE	ABSTANDSTUECK	DISCO ESPACIADOR
15	D44900122	8	1	SWITCH	INTERRUPTEUR	SCHALTER	INTERRUPTOR
16	D44900002	8	3	BUTTON	BOUTON	KNOPFTASTE	BOTON
17	D44900836	8	9	BUTTON	BOUTON	KNOPFTASTE	BOTON
18	D44900840	8	1	BUTTON	BOUTON	KNOPFTASTE	BOTON
19	D28781359	[A]	1	SENSOR	DETECTEUR	SENSOR	DETECTOR
19	D28781357	[A]	1	COVER	COUVERCLE	ABDECKUNG.	CUBIERTA
20	D28781358	[A]	1	BLOCK	BLOC	BLOCK	BLOQUE
21	D28781578	[A]	1	ROLL	ROULEAU	WALZE	RULO
22	D28781400	[A]	3	SENSOR	DETECTEUR	SENSOR	DETECTOR
23	D40351200	[A]	8	SCREW	VIS	SCHRAUBE	TORNILLO
24	391074X1	[A]	4	HEX. SOCK. SCREW	VIS TETE HEX	ZYLINDERSCHRAUBE	TORN.CAB.HUECA
		M6 X 12					
25	D20400405	[A]	4	WASHER	RONDELLE	SCHEIBE	ARANDELA
26	D45050019	[A]	1	SPIRIT LEVEL	NIVEAU	LIBELLE	NIVEL DE AIRE
27	D40743000	[A]	2	SCREW	VIS	SCHRAUBE	TORNILLO
28	D44900212	[B]	1	DECAL	DECALCOMANIE	AUFKLEBER	CALCOMANIA
29	D28981724		1	PLATE	PLAQUE	PLATTE	PLATO
30	3405185M1		6	BULB 12V 1.2W	AMPOULE 12V 1.2W	GLUEHL 12V 1.2W	BOMBILLA 12V1,2W
31	D45050027		1	SWITCH	INTERRUPTEUR	SCHALTER	INTERRUPTOR
32	D28882045		1	TENSION SPRING	RESSORT TRACTION	ZUGFEDER	MUELLE TENSION
33	D45749800		5	CAP	CHAPEAU	KAPPE	TAPA
34	D40741100		5	SCREW	VIS	SCHRAUBE	TORNILLO
35	D45745100		5	WASHER	RONDELLE	SCHEIBE	ARANDELA
36	D20400400		2	WASHER	RONDELLE	SCHEIBE	ARANDELA
37	D20400505		3	SPACER	ENTRETOISE	ABSTANDSTUECK	DISCO ESPACIADOR
38	339402X1	M10	1	NUT SPECIAL	ECROU SPECIAL	SPEZIALMUTTER	TUERCA ESPECIAL
39	D28980790		1	BEARING CARRIER	PALIER	LAGER GEHAEUSE	COJINETE APOYO
40	339932X1		1	BEAR. 6202 2RS	RLT 6202 2RS	LAGER 6202 2RS	RODA. 6202 2RS
41	D42512900		1	CIRCLIP	CIRCLIP	SEEGERING	GRAPA CIRCULAR
42	D28980789		1	SHAFT	ARBRE	WELLE	ARBOL
43	D42501300		2	CIRCLIP	CIRCLIP	SEEGERING	GRAPA CIRCULAR
44	D46436200		1	TOGGLE	ROTULE	GELENKZAPFEN	ROTULA
45	D28980805		1	ROD	TRINGLE	STANGE	VARILLA
46	D28980793		1	LEVER	LEVIER	HEBEL	PALANCA
47	1440398X1	∅ 5 X 20	1	PIN	GOUPILLE	STIFT	PASADOR
48	D28980809		1	PLATE	PLAQUE	PLATTE	PLATO
49	D28980788		2	RETAINER	RETENEUR	HALTERING	RETENEDOR
50	339337X1	M8 X 30	4	HEX. SOCK. SCREW	VIS TETE HEX	ZYLINDERSCHRAUBE	TORN.CAB.HUECA
51	D20400506		4	WASHER	RONDELLE	SCHEIBE	ARANDELA
52	D28981083		1	SELECTOR	SELECTEUR	SELEKTOR	SELECTOR
53	3009493X1	M10 X 30	3	HEX. SOCK. SCREW	VIS TETE HEX	ZYLINDERSCHRAUBE	TORN.CAB.HUECA
54	D45050054		1	SWITCH	INTERRUPTEUR	SCHALTER	INTERRUPTOR
55	D45060016		1	FRAME	BATI	RAHMEN	BASTIDOR
56	D43383800		1	GRIP	POIGNEE	HANDGRIFF	MANGO
57	D46439400		1	CABLE	CABLE	KABEL	CABLE
58	D28730779		1	LOCKING PLATE	PLAQUE BLOCAGE	SICH.BLECH	PLACA DE BLOCAJE
59	354057X1	1/8" X 3/4	2	SPLIT PIN	GOUPILLE FENDUE	SPALTBOLZEN	PASADOR HENDIDO
60	D40630900		1	PIN	GOUPILLE	STIFT	PASADOR
61	339230X1	M6 X 10	1	HEX. SOCK. SCREW	VIS TETE HEX	ZYLINDERSCHRAUBE	TORN.CAB.HUECA
62	D20400470		1	WASHER	RONDELLE	SCHEIBE	ARANDELA
63	3009491X1	M10 X 20	4	HEX. SOCK. SCREW	VIS TETE HEX	ZYLINDERSCHRAUBE	TORN.CAB.HUECA
64	D20400419		4	WASHER	RONDELLE	SCHEIBE	ARANDELA
65	D28982000	➔ 61489	1	COVER	COUVERCLE	ABDECKUNG.	CUBIERTA
65*	D28273887	➔ 61490	1	COVER	COUVERCLE	ABDECKUNG.	CUBIERTA
66	D45050004	N1	5	SWITCH	INTERRUPTEUR	SCHALTER	INTERRUPTOR
67	D45050008		1	SWITCH	INTERRUPTEUR	SCHALTER	INTERRUPTOR
68	D44900017		2	COVER	COUVERCLE	ABDECKUNG.	CUBIERTA
69	D45050009		1	SWITCH	INTERRUPTEUR	SCHALTER	INTERRUPTOR
70	D45050003	N2	8	MAGNET	AIMANT	MAGNET	IMAN
71	D45050010		1	SWITCH	INTERRUPTEUR	SCHALTER	INTERRUPTOR
72	D45050015		1	SWITCH	INTERRUPTEUR	SCHALTER	INTERRUPTOR
73	D45050014		1	SWITCH	INTERRUPTEUR	SCHALTER	INTERRUPTOR
74	D45050025		1	SWITCH	INTERRUPTEUR	SCHALTER	INTERRUPTOR
75	D45050029		1	SWITCH	INTERRUPTEUR	SCHALTER	INTERRUPTOR
76	D45050030		1	SWITCH	INTERRUPTEUR	SCHALTER	INTERRUPTOR
77	D45050012		1	SWITCH	INTERRUPTEUR	SCHALTER	INTERRUPTOR



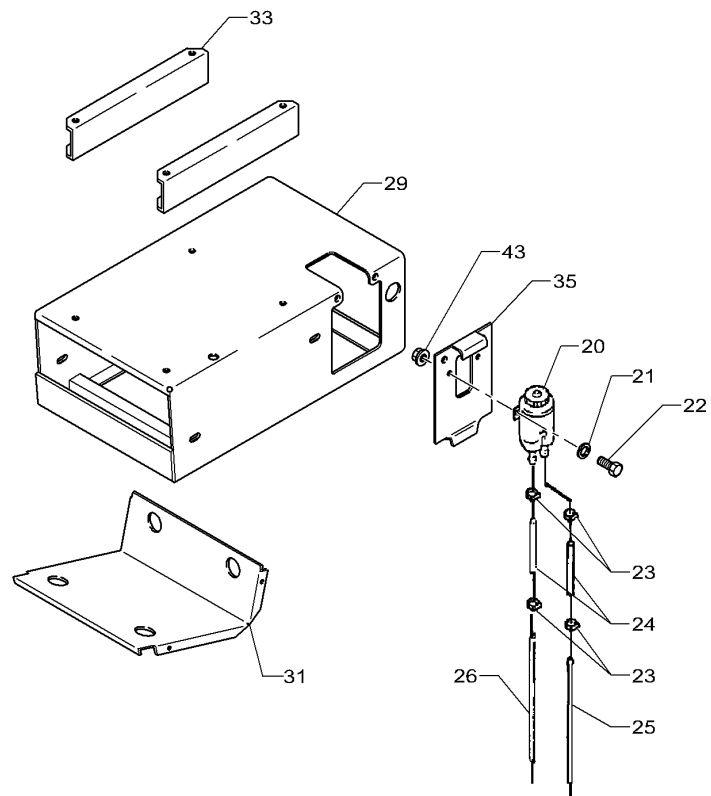
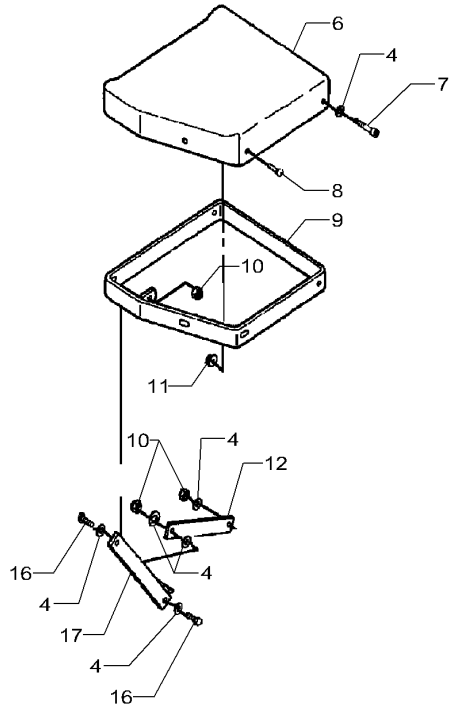
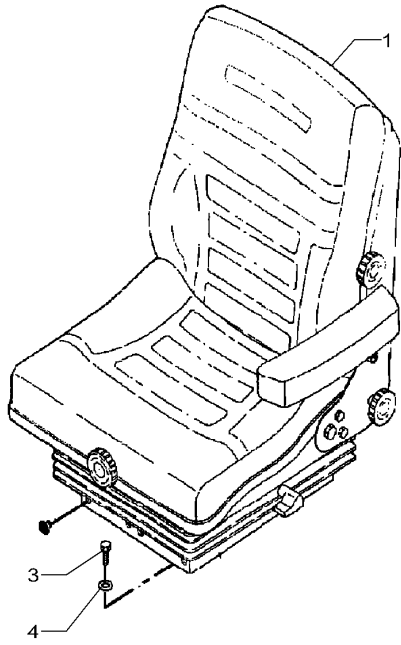
D-ACYD-007-B

78	D45050013		1	SWITCH	INTERRUPTEUR	SCHALTER	INTERRUPTOR
79	D45060014		3	CONTROL LIGHT	VOYANT	KONTROLLEUCHTE	LUCES DE CONTROL
80	D45060013		2	DECAL	DECALCOMANIE	AUFKLEBER	CALCOMANIA
81	D45060012		1	DECAL	DECALCOMANIE	AUFKLEBER	CALCOMANIA
82	D45063800		1	PLATE	PLAQUE	PLATTE	PLATO
83	D45060011		2	DECAL	DECALCOMANIE	AUFKLEBER	CALCOMANIA
84	D44900832		1	SWITCH, IGNITION	CONTACT ALLUMAGE	MAGNETSCHALTER.	INTERRUPT.CONT.
85	D44900833		1	KEY	CLAVETTE	STELLKEIL	CHAVETA
86	D44732300		1	GROMMET	PASSE FIL	GUMMITUELLE	PASACABLE
87	D45050039		1	SWITCH	INTERRUPTEUR	SCHALTER	INTERRUPTOR
88	D45050031		1	SWITCH	INTERRUPTEUR	SCHALTER	INTERRUPTOR
89	D45050032		1	SWITCH	INTERRUPTEUR	SCHALTER	INTERRUPTOR
90	D45050006	N4	4	SWITCH	INTERRUPTEUR	SCHALTER	INTERRUPTOR
91	D45050033		1	SWITCH	INTERRUPTEUR	SCHALTER	INTERRUPTOR
92	D45050028		1	SWITCH	INTERRUPTEUR	SCHALTER	INTERRUPTOR
93	D41010500		4	NUT	ECROU	MUTTER	TUERCA
94	D45050011		1	SWITCH	INTERRUPTEUR	SCHALTER	INTERRUPTOR
95	D44739400		1	GASKET	JOINT	FLACHDICHTUNG	JUNTA PLANA
96	D45065800		6	LAMP SOCKET	PORTE LAMPE	LAMPENFASSUNG	PORTA LAMPARA
97	D45063800		1	PLATE	PLAQUE	PLATTE	PLATO
98	354043X1	1/16" X 1	1	PIN	GOUPILLE	STIFT	PASADOR
99	D45906100		1	BOLT	BOULON	BOLZEN	BULON
100	D45924900	◀▶ 3245 mm	1	HANDBRAKE CABLE	CABLE FR.A MAIN	HANDBREMSEKABEL	CABLE FRENO MANO
101	1444168X1		2	SCREW	VIS	SCHRAUBE	TORNILLO
102	D45070090		1	SWITCH	INTERRUPTEUR	SCHALTER	INTERRUPTOR
103	D20400506		2	WASHER	RONDELLE	SCHEIBE	ARANDELA
104	339337X1	M8 X 30	2	HEX. SOCK. SCREW	VIS TETE HEX	ZYLINDERSCHRAUBE	TORN.CAB.HUECA
105	D28981570		1	BRACKET	SUPPORT FIXATION	HALTEAMM	SOPORTE
106	D28981671		1	GRIP	POIGNEE	HANDGRIFF	MANGO
107	*D49130091	➡ 61490	1	DECAL	DECALCOMANIE	AUFKLEBER	CALCOMANIA
108	*D44900892	➡ 61490	1	BUTTON	BOUTON	KNOPFTASTE	BOTON
109	*D28782719	➡ 61490	1	POTENTIOMETER	POTENTIOMETRE	POTENTIOMETER	REGULADOR ELECT.
110	*D45050006	➡ 61490	1	SWITCH	INTERRUPTEUR	SCHALTER	INTERRUPTOR
111	*D44900891	➡ 61490	1	SWITCH	INTERRUPTEUR	SCHALTER	INTERRUPTOR

[A] AUTO LEVEL COMBINE
 MOISSONNEUSE BATTEUSE AUTO LEVEL
 AUTO LEVEL MASCHINE
 COSECHADORE CON AUTO NIVEL.

[B] OPTIONAL EXTRA FOR PREHEATER
 ACCESSOIRE POUR PRECHAUFFAGE
 SONDERZUBEHOER FUER VORWAERMER
 ACCESSORIO PARA PRECALEFACCION

[C] ELECTRIC FORWARD SPEED CONTROL
 ELECTRIQUE COMMANDE D'AVANCEMENT
 ELEKTRISCH FAHRGESCHWINDIGKEITSREGELUNG
 ELECTRICO MANDO AVANCE



D-ACYK-003-A

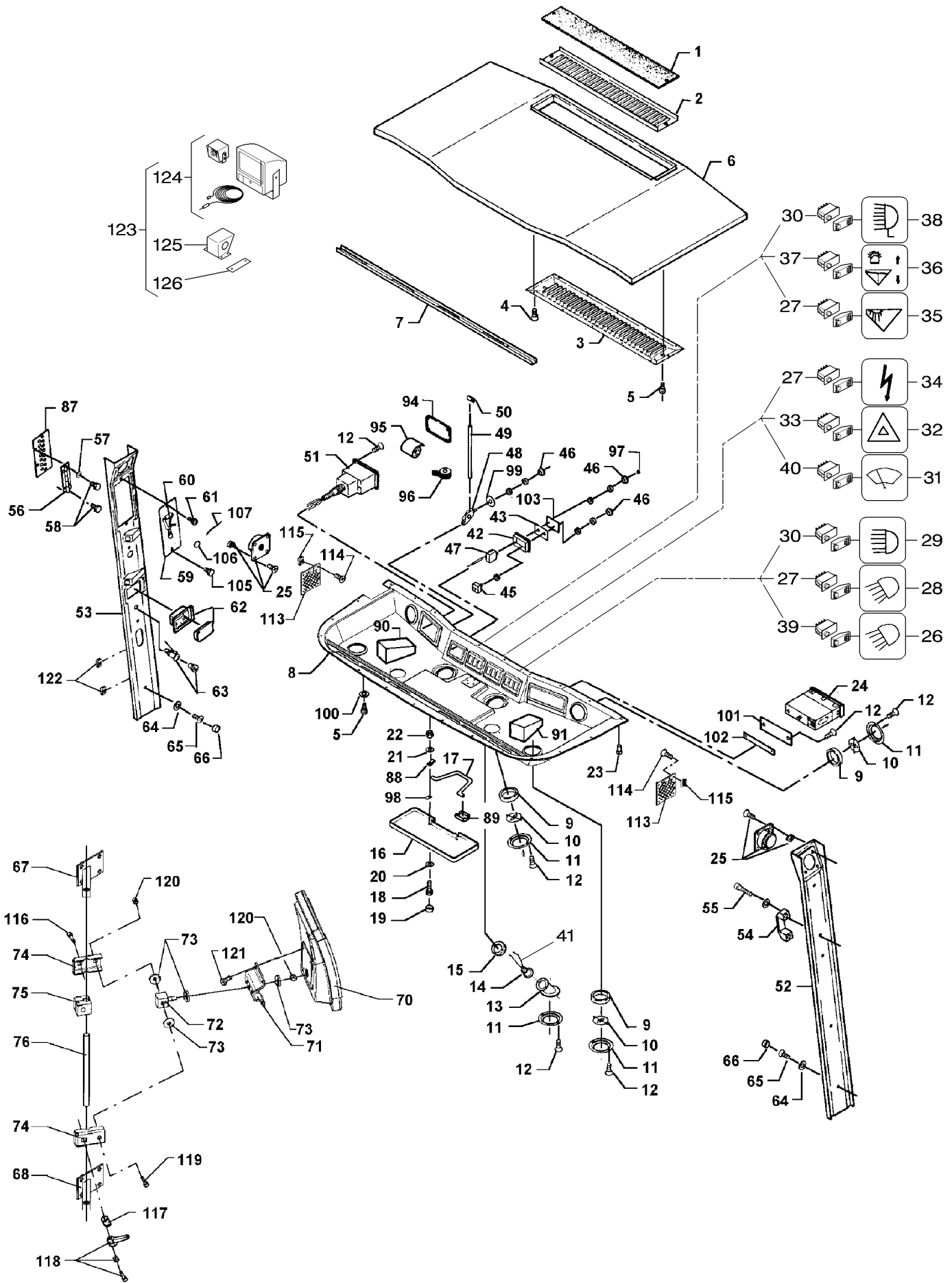
1	D45941600	[B]	1	SEAT	SIEGE	SITZ	ASIENTO
3	339123X1	●○ D40404900	4	HEX. SOCK. SCREW	VIS TETE HEX	ZYLINDERSCHRAUBE	TORN.CAB.HUECA
4	D20400506		X	WASHER	RONDELLE	SCHEIBE	ARANDELA
6	D28985579		1	SEAT CUSHION	COUSSIN DE SIEGE	SITZKISSEN	COJIN ASIENTO
7	D40405100		2	HEX. SOCK. SCREW	VIS TETE HEX	ZYLINDERSCHRAUBE	TORN.CAB.HUECA
8	D40688200		3	SCREW METRIC	VIS METRIQUE	SCHRAUBE METR	TORNILLO METRICO
9	D28985582		1	FRAME	BATI	RAHMEN	BASTIDOR
10	394367X1		5	NUT	ECROU	MUTTER	TUERCA
11	1441462X1		3	LOCKNUT	ECROU FREIN	SICHERUNGSMUTTER	CONTRATUERCA
12	D28980693		1	LINK	MAILLON	GLIED	ESLABON
16	D40405000		3	HEX. SOCK. SCREW	VIS TETE HEX	ZYLINDERSCHRAUBE	TORN.CAB.HUECA
17	D28980690		1	LINK	MAILLON	GLIED	ESLABON
20	D45908200		1	CONTAINER	CUVE	BEHAELTER	CONTENEDOR
21	D20400453		2	WASHER	RONDELLE	SCHEIBE	ARANDELA
22	D40402400		3	HEX. SOCK. SCREW	VIS TETE HEX	ZYLINDERSCHRAUBE	TORN.CAB.HUECA
23	338612X1		4	HOSE CLIP	COLLIER DURITE	SCHLAUCHBINDER	ABRAZADERA TUBO
24	D44717800		2	HOSE	DURITE	SCHLAUCH	TUBO DE GOMA
25	D28980948	👁 13-3 No 29	1	PIPE	TUYAU	TUBE	TUBO
26	D28980947	👁 13-3 No 29	1	PIPE	TUYAU	TUBE	TUBO
29	D28982070		1	SEAT STAND	SUPPORT DE SIEGE	SITZHALTER	STAND P.ASIENTOS
31	D28981790		1	SHELF	ETAGERE	REGAL	DEPOSITO SEDIMEN
33	D28982069		2	ADJUSTMENT	REGLAGE	NACHSTELLUNG	CALA DE AJUSTE
35	D28981791		1	TRAP	TRAPPE	FANGKLAPPE	PURGADOR
43	1441462X1		4	LOCKNUT	ECROU FREIN	SICHERUNGSMUTTER	CONTRATUERCA
[B] PNEUMATIC SEAT							
SIEGE PNEUMATIQUE							
SITZ MIT LUFTPOLSTERUNG							
ASIENTO NEUMATICO							

1	D28980561		1	GLASS PANE	VITRE	GLASSSCHEIBE	CRISTAL LATERAL
2	D28980477		2	HINGE	CHARNIERE	SCHARNIER	CHARNELA
3	D28782151	[C]	X	SEAL SECTION	PROFIL ETANCH	DICHTPROFIL	PARTE DE RETEN
		◀▶ 10 M					
		◀▶ 3,980 M					
4	D28981186		1	FITTING	MONTAGE	ANSCHL.VERSCHRBG	ACCESORIO.
5	D28980562		1	WINDOW	GLACE	FENSTER	VENTANA
6	D28081587	[B]	1	WINDSCREEN	PARE BRISE	WINDSCHUTZSCHEIB	PARABRISAS
6	D28981592	[A]	1	KIT, REPAIR	JEU REPARATION	REPARATURSATZ	JUEGO REPARACION
7	D28981714		1	FRAME	BATI	RAHMEN	BASTIDOR
15	D28782163	◀▶ 10 M	X	GASKET	JOINT	FLACHDICHTUNG	JUNTA PLANA
22	D28980489		1	SHIM	CALE REGLAGE	AUSGLEICHSCHIEBE	CALCE
23	339666X1	M6 X 20	3	HEX. SOCK. SCREW	VIS TETE HEX	ZYLINDERSCHRAUBE	TORN.CAB.HUECA
24	D28980463		4	PLATE	PLAQUE	PLATTE	PLATO
26	D45744900		X	PROTECTOR	PROTECTEUR	SCHUTZ	PROTECTOR
27	D28980478		4	PLATE	PLAQUE	PLATTE	PLATO
28	D28980485		2	PLATE	PLAQUE	PLATTE	PLATO
29	D40601800		6	SCREW	VIS	SCHRAUBE	TORNILLO
31	394367X1	M8	6	NUT	ECROU	MUTTER	TUERCA
32	D28980322		6	BUSH	BAGUE	RING	CASQUILLO
33	D28980486		1	SHIM	CALE REGLAGE	AUSGLEICHSCHIEBE	CALCE
34	D28980487		1	SHIM	CALE REGLAGE	AUSGLEICHSCHIEBE	CALCE
35	D43419100		1	DOOR HANDLE	POIGNEE DE PORTE	TUERGRIFF	PICAPORTE
36	D43418700		1	SPANNER	CLE	SCHR.SCHLUESSEL	LLAVE DE RUEDA
37	D28980466		2	WASHER	RONDELLE	SCHEIBE	ARANDELA
38	D20400506		X	WASHER	RONDELLE	SCHEIBE	ARANDELA
39	339337X1	M8 X 30	2	HEX. SOCK. SCREW	VIS TETE HEX	ZYLINDERSCHRAUBE	TORN.CAB.HUECA
40	D28980461		2	WASHER	RONDELLE	SCHEIBE	ARANDELA
41	D28980464		1	WASHER	RONDELLE	SCHEIBE	ARANDELA
42	D28980470		1	BRACKET	SUPPORT FIXATION	HALTEAMM	SOPORTE
43	390971X1		4	FLAT WASHER	RONDELLE PLATE	UNTERLEGSCHIEBEN	ARANDELA PLANA
44	1441462X1	M6	2	LOCKNUT	ECROU FREIN	SICHERUNGSMUTTER	CONTRATUERCA
45	339262X1	M6 X 30	2	HEX. SOCK. SCREW	VIS TETE HEX	ZYLINDERSCHRAUBE	TORN.CAB.HUECA
46	D45061800		1	GAS STRUT	VERIN AMORTISSEU	GASZYLINDER	CILINDRO GAS
47	D20400500		2	SPACER	ENTRETOISE	ABSTANDSTUECK	DISCO ESPACIADOR
48	354057X1	1/8" X 3/4	2	SPLIT PIN	GOUPILLE FENDUE	SPALTBOLZEN	PASADOR HENDIDO
52	D28980916		1	BRACKET	SUPPORT FIXATION	HALTEAMM	SOPORTE
53	D43419400		1	BOLT	BOULON	BOLZEN	BULON
54	D20400426		3	WASHER	RONDELLE	SCHEIBE	ARANDELA
55	D46434600		1	NUT	ECROU	MUTTER	TUERCA
56	339124X1	M8 X 16	2	HEX. SOCK. SCREW	VIS TETE HEX	ZYLINDERSCHRAUBE	TORN.CAB.HUECA
57	D20400506		2	WASHER	RONDELLE	SCHEIBE	ARANDELA
58	D43419200		1	LOCK	SERRURE	SCHLOSS	CERRADURA
59	D40601900		2	SCREW	VIS	SCHRAUBE	TORNILLO
60	394367X1	M8	2	NUT	ECROU	MUTTER	TUERCA
62	D28980322		2	BUSH	BAGUE	RING	CASQUILLO

[A] USE MOUNTING KIT NO 28981592
UTILISER KIT MONTAGE NO 28981592
BENUTZEN MONTIERUNGSSATZ NO 28981592
UTILIZAR JUEGO DE MONTAJE NR 28981592

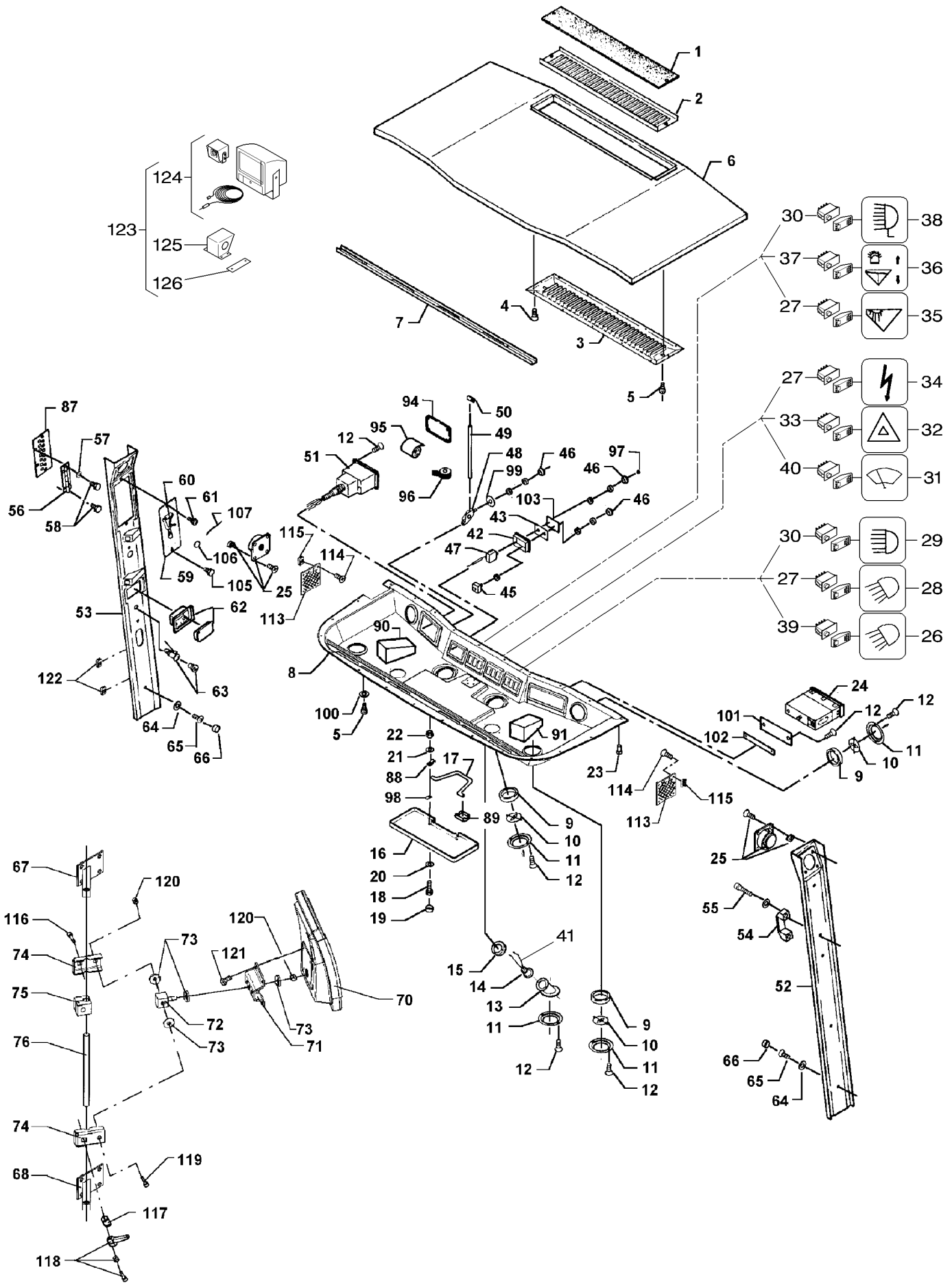
[B] NOTE CONTAINS GLUE OF LTD KEEPING QUALITIES
REMARQUE : COLLE A DURABILITE LIMITEE INCLUSE
BEACHTENENTHAELT KLEBSTOFF VON BEGRENZTER HALTBAR.
NOTA: PEGAMENTO PERECEDERO INCLUSO

[C] CUT TO REQUIRED LENGTH
COUPER A LA LONGEUR DESIREE
BENOETIGTE LAENGE ABSCHNEIDEN
CORTAR A LA LONGITUD DESEADA



D-ACYG-003-A

1	D28980849		1	FILTER	FILTRE	FILTER	FILTRO
2	D28980923		1	SHUTTER	OBTURATEUR	BLENDEVERSCHLUS	OBTURADOR
3	D28981508		1	GRATE	GRILLE MARCHEP	ROSTE	PARRILLA
4	D40740100		12	SCREW	VIS	SCHRAUBE	TORNILLO
5	D43385100		4	SCREW	VIS	SCHRAUBE	TORNILLO
6	D28980855		1	LINING	GARNITURE FRICT	BELAG	FORRO
7	D28981357		1	GRILLE	GRILLE	GRILL	REJILLA
8	D28981998		1	PANEL	PANNEAU	WANDPLATTE	PANEL
9	D28980554		6	RETAINER	RETENEUR	HALTERING	RETENEDOR
10	D28980553		6	SHUTTER	OBTURATEUR	BLENDEVERSCHLUS	OBTURADOR
11	D28980555		8	RING	ANNEAU	RING.	ANILLO
12	D40740200		24	SCREW	VIS	SCHRAUBE	TORNILLO
13	D28980839		2	HOLDER	PIECE SUPPORT	HALTER	SUJETADOR
14	D45060001		2	LIGHT	FEU	LEUCHE	LAMPARA/LUZ
15	D28980771		2	COVER	COUVERCLE	ABDECKUNG.	CUBIERTA
16	D28981507		1	CANOPY	TOIT PARE SOLEIL	SCHUTSDACH	TEJADILLO
17	D28980664		1	STIRRUP	ETRIER	BUEGEL	FUACION
18	D40400900		2	SETScrew	VIS DE BLOCAGE	STELLSCHRAUBE	SET SCREW
19	D45749800		2	CAP	CHAPEAU	KAPPE	TAPA
20	D45745100		2	WASHER	RONDELLE	SCHEIBE	ARANDELA
21	D20400466		2	WASHER	RONDELLE	SCHEIBE	ARANDELA
22	1441917X1	M5	2	LOCKNUT	ECROU FREIN	SICHERUNGSMUTTER	CONTRATUERCA
23	D45745600		22	RIVET	RIVET	NIET	REMACHE
24	D28085632	CPL CD	1	RADIO	RADIO	AUTORADIO	RADIO
24	D28080365		1	INSTRUCTION BOOK	GUIDEUTILISATION	BETRIEBSANLEITG.	MANUAL SERVICIO
24	D43429500		X	CLIP	PATTE D'ATTACHE	SHELLE	CLIP
24	D45000269	CD	1	RADIO	RADIO	AUTORADIO	RADIO
24	D45086600		1	AERIAL LONG	ANTENNE LONGUE	ANTENNE LANG	ANTENA LARGA
24	D45090091		1	SPEAKER	HAUT PARLEUR	LAUTSPRECHER	ALTOVOZ
24	D45086400	TAPE	1	RADIO	RADIO	AUTORADIO	RADIO
25	D45090091		1	SPEAKER	HAUT PARLEUR	LAUTSPRECHER	ALTOVOZ
26	D45050040		1	LIGHT SWITCH	CONTACT ECLAIR	LICHTSCHALTER	INTERRUPTOR LUZ
27	D45050003	N2	5	MAGNET	AIMANT	MAGNET	IMAN
28	D45050040		1	LIGHT SWITCH	CONTACT ECLAIR	LICHTSCHALTER	INTERRUPTOR LUZ
29	D45050017		1	SWITCH	INTERRUPTEUR	SCHALTER	INTERRUPTOR
30	D45050005	N3	2	SWITCH	INTERRUPTEUR	SCHALTER	INTERRUPTOR
31	D45050018		1	SWITCH	INTERRUPTEUR	SCHALTER	INTERRUPTOR
32	D45050052		1	SWITCH	INTERRUPTEUR	SCHALTER	INTERRUPTOR
33	D45050051		1	SWITCH	INTERRUPTEUR	SCHALTER	INTERRUPTOR
34	D45050021		1	SWITCH	INTERRUPTEUR	SCHALTER	INTERRUPTOR
35	D45050022		1	SWITCH	INTERRUPTEUR	SCHALTER	INTERRUPTOR
36	D45050023		1	SWITCH	INTERRUPTEUR	SCHALTER	INTERRUPTOR
37	D45050041	N5	1	SWITCH	INTERRUPTEUR	SCHALTER	INTERRUPTOR
38	D45050024		1	SWITCH	INTERRUPTEUR	SCHALTER	INTERRUPTOR
39	D45050049	N6	1	SWITCH	INTERRUPTEUR	SCHALTER	INTERRUPTOR
40	D45050050	N7	1	SWITCH	INTERRUPTEUR	SCHALTER	INTERRUPTOR
41	D28782337		1	INSERT	DOUILLE	EINSATZSTUECK	INSERCIION
42	D28980928		1	FRAME	BATI	RAHMEN	BASTIDOR
43	D28980436		1	PLATE	PLAQUE	PLATTE	PLATO
45	D45070024		1	SWITCH	INTERRUPTEUR	SCHALTER	INTERRUPTOR
46	D45070026		2	BUTTON	BOUTON	KNOPFTASTE	BOTON
47	D45093000		1	THERMOSTAT	THERMOSTAT	THERMOSTAT	TERMOSTATO
48	D45070025		1	ADJUSTER	REGLEUR	EINSTELLVORR	AJUSTADOR
49	D45070027		1	CABLE	CABLE	KABEL	CABLE
50	D45070028		1	BACKET	SUPPORT FIXATION	HALTEAM	SOPORTE
51	D28981536	[A]	1	PRINTER	IMPRIMANTE	DRUCKER	IMPRESORA
51	D28981575	[A]	1	PRINTER	IMPRIMANTE	DRUCKER	IMPRESORA
52	D28981535	◀	1	COVER	COUVERCLE	ABDECKUNG.	CUBIERTA
53	D28980483	▶	1	COVER	COUVERCLE	ABDECKUNG.	CUBIERTA
54	D43386900		1	GRIP	POIGNEE	HANDGRIFF	MANGO
55	391148X1	M8 X 20	2	SCREW	VIS	SCHRAUBE	TORNILLO
56	D28980772		1	HINGE	CHARNIERE	SCHARNIER	CHARNELA
57	D20400404		2	WASHER	RONDELLE	SCHEIBE	ARANDELA
58	339230X1	M6 X 10	2	HEX. SOCK. SCREW	VIS TETE HEX	ZYLINDERSCHRAUBE	TORN.CAB.HUECA
59	D28981528		1	PLATE	PLAQUE	PLATTE	PLATO
60	D45059600		1	HAMMER	MARTEAU	HAMMER	MARTILLO
61	D43385100		2	SCREW	VIS	SCHRAUBE	TORNILLO
62	D45060024		1	ASHTRAY	CENDRIER	ASCHENBECHER	CENICERO
63	D45060037		1	LIGHTER	ALLUME CIGARE	FEUERZEUG	ENCENDEDOR
64	D45745100		6	WASHER	RONDELLE	SCHEIBE	ARANDELA
65	390958X1	M5 X 16	6	SCREW	VIS	SCHRAUBE	TORNILLO
66	D45749800		6	CAP	CHAPEAU	KAPPE	TAPA
67	D28981042		1	SUSPENSION	SUSPENSION	AUFHAENGUNG.	SUSPENSION
68	D28980764		1	SUSPENSION	SUSPENSION	AUFHAENGUNG.	SUSPENSION
70	D28986170		1	TERMINAL	BORNE	BATTERIEPOLE	BORNE
71	D28981328		1	FITTING	MONTAGE	ANSCHL.VERSCHRBG	ACCESORIO.
72	D28981330		1	THREADED PART	PIECE FILETEE	GEWINDESTUECK	VARILLA ROSCADO
73	D28981331		4	WASHER	RONDELLE	SCHEIBE	ARANDELA
74	D28981332		2	CLAMP	COLLIER	HALTESCHELLE	ABRAZADERA
75	D28980501		1	FITTING	MONTAGE	ANSCHL.VERSCHRBG	ACCESORIO.
76	D28981360		1	ROD	TRINGLE	STANG	VARILLA
87	D28980775		1	PANEL	PANNEAU	WANDPLATTE	PANEL



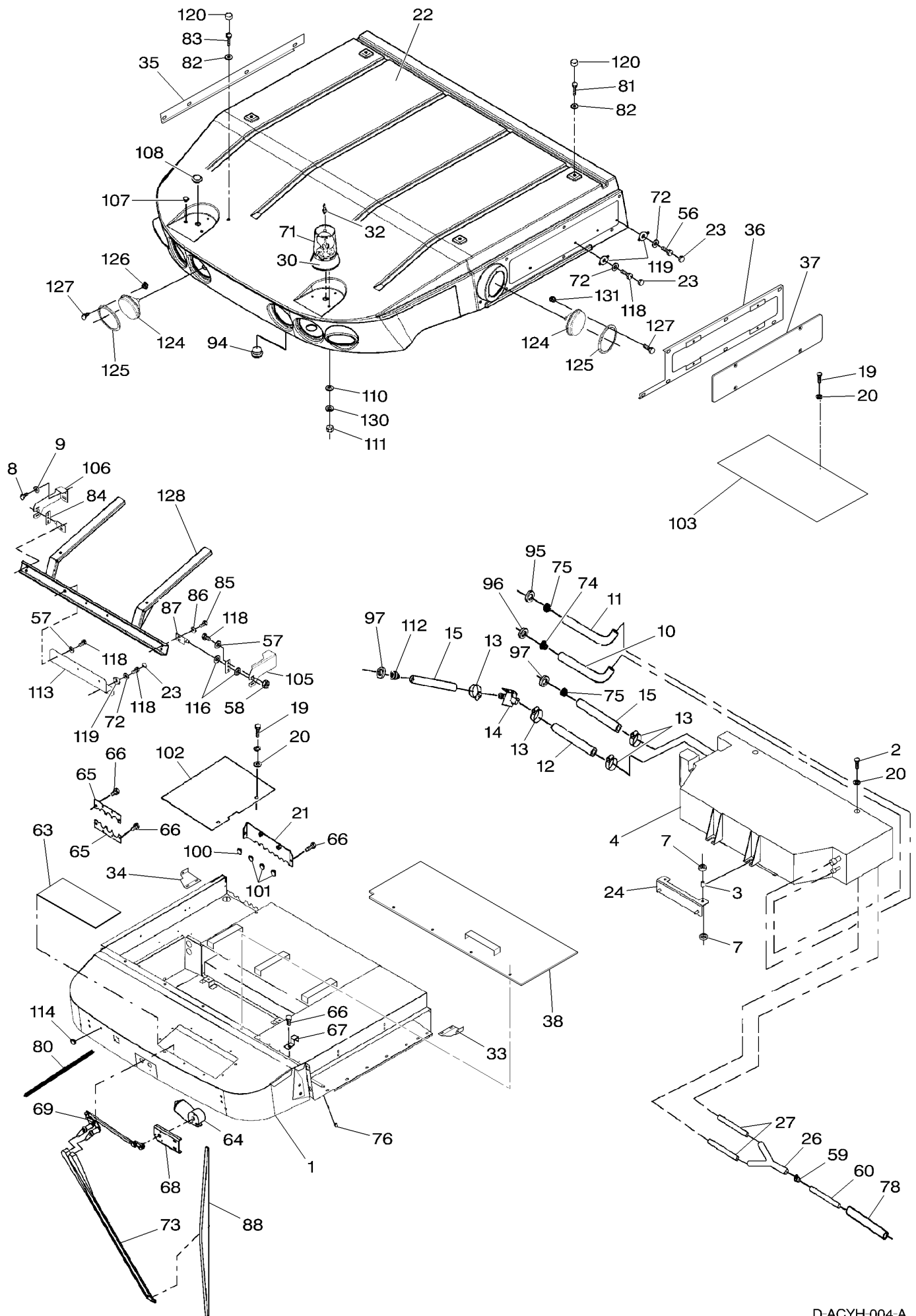
D-ACYG-003-A

88	D28980665		2	RETAINER	RETENEUR	HALTERING	RETENEDOR
89	D45060031		1	SUPPORT	SUPPORT	TRAGER	SOPORTE
90	D28980977		1	GASKET	JOINT	FLACHDICHTUNG	JUNTA PLANA
91	D28980976		1	GASKET	JOINT	FLACHDICHTUNG	JUNTA PLANA
94	D28981509		1	PLATE	PLAQUE	PLATTE	PLATO
95	D45010063		1	PAPER	PAPIER	PAPIER	PAPEL
96	D45010062		1	RIBBON	RUBAN MACHINE	STREIFENBAND	CINTA MAQ/ESCRIB
97	D45745300		1	PLUG	BOUCHON	STOPFEN	TAPON
98	D28981143		2	SUPPORT	SUPPORT	TRAGER	SOPORTE
99	D49189000		1	DECAL	DECALCOMANIE	AUFKLEBER	CALCOMANIA
100	D20400404		2	WASHER	RONDELLE	SCHEIBE	ARANDELA
101	D28981510		1	PLATE	PLAQUE	PLATTE	PLATO
102	D28981511		1	PLATE	PLAQUE	PLATTE	PLATO
103	D49187900		1	DECAL	DECALCOMANIE	AUFKLEBER	CALCOMANIA
105	D40741200		2	SCREW	VIS	SCHRAUBE	TORNILLO
106	D43407400		1	SEAL	JOINT ETANCHEITE	DICHTRING	JUNTA REDONDA
107	D01906800	◀ 150 mm	X	WIRE	FIL	DRAHT	HILO
113	D45090093		2	PLATE	PLAQUE	PLATTE	PLATO
114	D40740000		8	SCREW	VIS	SCHRAUBE	TORNILLO
115	D43429500		8	CLIP	PATTE D'ATTACHE	SHELLE	CLIP
116	D40072200		1	SCREW	VIS	SCHRAUBE	TORNILLO
117	D28980748		1	BUSH	BAGUE	RING	CASQUILLO
118	D43387500		1	LEVER	LEVIER	HEBEL	PALANCA
119	D40438800		1	SCREW	VIS	SCHRAUBE	TORNILLO
120	D41017500		2	LOCKNUT	ECROU FREIN	SICHERUNGSMUTTER	CONTRATUERCA
121	D40689500		4	SCREW	VIS	SCHRAUBE	TORNILLO
122	D44900071		2	CLIP	PATTE D'ATTACHE	SHELLE	CLIP
123	D28085634		1	REVERSING CAMERA	CAMERA	KAMERA	CAMERA
124	D45000270	123	1	REVERSING CAMERA	CAMERA	KAMERA	CAMERA
124	D45000271	EXTRA	1	REVERSING CAMERA	CAMERA	KAMERA	CAMERA
125	D28985245	123	1	SUPPORT	SUPPORT	TRAGER	SOPORTE
126	D28985175	123	1	PLATE	PLAQUE	PLATTE	PLATO
127	D44900761	[BC]	1	SWITCH	INTERRUPTEUR	SCHALTER	INTERRUPTOR

[A] OPTIONAL EQUIPMENT
 EQUIPEMENTS ACCESSOIRES
 SONDERZUBEHOR
 EQUIP. ADITAMENTO

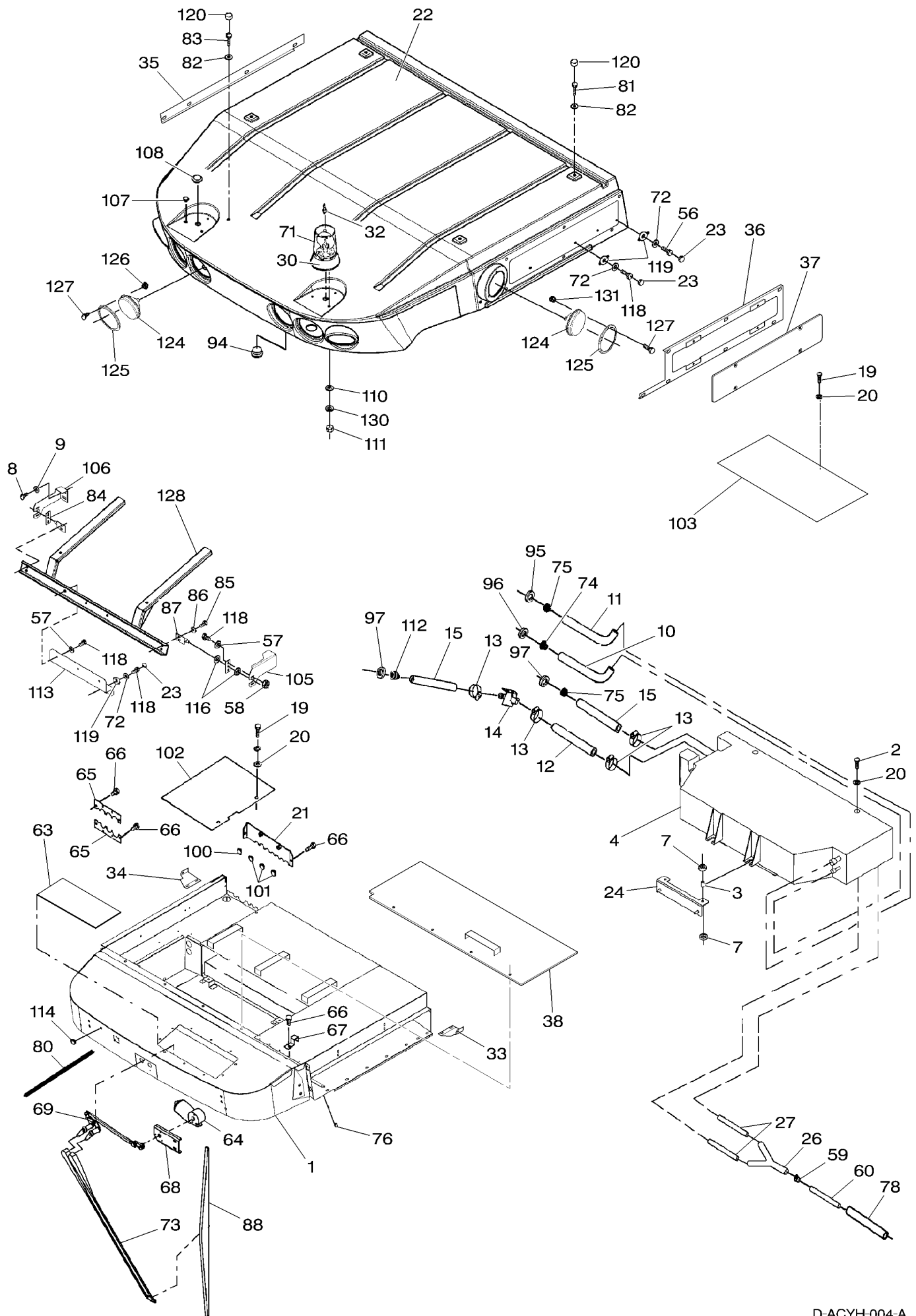
[B] NOT ILLUSTRATED
 NON ILLUSTRE
 NICHT ILLUSTRIRT
 NO ILUSTRADO

[C] FOR ELECTRIC MIRRORS
 POUR RETROVISEUR ELECT.
 FUR ELEKTRISCHE SPIEGEL
 PARA RETROVISOR ELECTRICO



D-ACYH-004-A

1	D28981801		1	ROOF	TOIT	DACH	TECHO
2	339010X1	M8 X 40	4	HEX. SOCK. SCREW	VIS TETE HEX	ZYLINDERSCHRAUBE	TORN.CAB.HUECA
3	D28981587		1	SPACER	ENTRETOISE	ABSTANDSTUECK	DISCO ESPACIADOR
4	D45080055		1	HEATER	CHAUFFAGE	HEIZUNG	CALENTADOR
7	D45080096		8	DAMPER	AMORTISSEUR	DAEMPFER	VALV.REGULADORA
8	3009492X1	M10 X 25	4	HEX. SOCK. SCREW	VIS TETE HEX	ZYLINDERSCHRAUBE	TORN.CAB.HUECA
9	D20400419		1	WASHER	RONDELLE	SCHEIBE	ARANDELA
10	D45080051		1	HOSE	DURITE	SCHLAUCH	TUBO DE GOMA
11	D45080052		1	HOSE	DURITE	SCHLAUCH	TUBO DE GOMA
12	D28782176	[D] ◄ 6 m ○ 16-22	X	HOSE	DURITE	SCHLAUCH	TUBO DE GOMA
13	3000483X1		4	HOSE CLIP	COLLIER DURITE	SCHLAUCHBINDER	ABRAZADERA TUBO
14	D45070008		1	VALVE	SOUPAPE	VENTIL	VALVULA
15	D28782176	[D] ◄ 6 m	X	HOSE	DURITE	SCHLAUCH	TUBO DE GOMA
18	D45000167	4 [C] M8 X 16	1	MAP	CARTE	WANDKARTE	MAPA
19	339124X1		X	HEX. SOCK. SCREW	VIS TETE HEX	ZYLINDERSCHRAUBE	TORN.CAB.HUECA
20	D20400506		X	WASHER	RONDELLE	SCHEIBE	ARANDELA
21	D28981112		1	PLATE	PLAQUE	PLATTE	PLATO
22	D28981798		1	ROOF	TOIT	DACH	TECHO
23	D45748500		13	CAP	CHAPEAU	KAPPE	TAPA
24	D28981448		1	FITTING	MONTAGE	ANSCHL.VERSCHRBG	ACCESORIO.
26	D45080094		2	HOSE	DURITE	SCHLAUCH	TUBO DE GOMA
27	D28782171	[D] ◄ 3 m [A]	X	HOSE	DURITE	SCHLAUCH	TUBO DE GOMA
30	D45060046		1	ROTATING LIGHT	GYROPHARE	RUNDUMKENNLEUCHT	LUZ GIRATORIA
30*	D44900990		1	ROTATING LIGHT	GYROPHARE	RUNDUMKENNLEUCHT	LUZ GIRATORIA
32	D45081000		1	BULB	AMPOULE	GLUEHLAMPE	BOMBILLA
33	D28981805		1	BRACKET	SUPPORT FIXATION	HALTEAM	SOPORTE
34	D28981807		1	BRACKET	SUPPORT FIXATION	HALTEAM	SOPORTE
35	D28981705		1	PLATE	PLAQUE	PLATTE	PLATO
36	D28981808		1	PLATE	PLAQUE	PLATTE	PLATO
37	D28981812		1	PLATE	PLAQUE	PLATTE	PLATO
38	D28981708		1	PLATE	PLAQUE	PLATTE	PLATO
56	339666X1	M6 X 20	6	HEX. SOCK. SCREW	VIS TETE HEX	ZYLINDERSCHRAUBE	TORN.CAB.HUECA
57	391038X1		13	FLAT WASHER	RONDELLE PLATE	UNTERLEGSCHLEIBEN	ARANDELA PLANA
58	1441462X1	M6	16	LOCKNUT	ECROU FREIN	SICHERUNGSMUTTER	CONTRATUERCA
59	D28980863		2	BUSH	BAGUE	RING	CASQUILLO
60	D28782171	[D] ◄ 3 m [D] ◄ 5 m	X	HOSE	DURITE	SCHLAUCH	TUBO DE GOMA
63	D44741200		X	STRIP	RUBAN	STREIFEN	TIRA
64	D45080042		1	WIPER MOTOR	MOTEUR ESSUIE GL	WISCHERMOTOR	MOTOR L PARABRIS
65	D28981145		2	LOCKING PLATE	PLAQUE BLOCAGE	SICH.BLECH	PLACA DE BLOCAJE
66	D40749100		6	SCREW METRIC	VIS METRIQUE	SCHRAUBE METR	TORNILLO METRICO
67	D28980970		2	RETAINER	RETENEUR	HALTERING	RETENEDOR
68	D28985184		1	BRACKET	SUPPORT FIXATION	HALTEAM	SOPORTE
69	D45080044		1	WIPER	ESSUYEUR	WISCHER	LIMPIADOR
71	D45050200		1	ROTATING LIGHT	GYROPHARE	RUNDUMKENNLEUCHT	LUZ GIRATORIA
71	D45060047	H. CHRISTENSEN 170492 [B]	1	GLASS	VERRE	GLAS	CRISTAL
71	D45080012		1	GLASS	VERRE	GLAS	CRISTAL
72	390971X1		13	FLAT WASHER	RONDELLE PLATE	UNTERLEGSCHLEIBEN	ARANDELA PLANA
73	D45080048		1	WIPER ARM	BRAS ESSUIE GL	WISCHERARM	BRAZO L P BRISA
74	D44733100		1	BUSH	BAGUE	RING	CASQUILLO
75	D44733100		3	BUSH	BAGUE	RING	CASQUILLO
76	D44719100		2	RIVET	RIVET	NIET	REMACHE
78	D28980991		2	HOSE	DURITE	SCHLAUCH	TUBO DE GOMA
80	D28980967		6	GASKET	JOINT	FLACHDICHTUNG	JUNTA PLANA
81	339009X1	M8 X 35	4	HEX. SOCK. SCREW	VIS TETE HEX	ZYLINDERSCHRAUBE	TORN.CAB.HUECA
82	D45713900		6	GASKET	JOINT	FLACHDICHTUNG	JUNTA PLANA
83	339761X1	M8 X 25	2	HEX. SOCK. SCREW	VIS TETE HEX	ZYLINDERSCHRAUBE	TORN.CAB.HUECA
84	D28981495		2	FITTING	MONTAGE	ANSCHL.VERSCHRBG	ACCESORIO.
85	339123X1	M8 X 20	4	HEX. SOCK. SCREW	VIS TETE HEX	ZYLINDERSCHRAUBE	TORN.CAB.HUECA
86	D20400506		4	WASHER	RONDELLE	SCHEIBE	ARANDELA
87	D28981494		2	BRACKET	SUPPORT FIXATION	HALTEAM	SOPORTE
88	D45080049		2	WIPER BLADE	BALAI ESSUIE GL	WISCHERBLATT	ESCOBILLA L P BR
94	D45745500		2	PLUG	BOUCHON	STOPFEN	TAPON
95	D44732600		1	GROMMET	PASSE FIL	GUMMITUELLE	PASACABLE
96	D44732800		1	GROMMET	PASSE FIL	GUMMITUELLE	PASACABLE
97	D44732700		2	GROMMET	PASSE FIL	GUMMITUELLE	PASACABLE
100	D45744000		1	PLUG	BOUCHON	STOPFEN	TAPON
101	D44731900		3	GROMMET	PASSE FIL	GUMMITUELLE	PASACABLE
102	D28981124		1	TRAP	FANGKLAPPE	FANGKLAPPE	PURGADOR
103	D28782156	[D] ◄ 10 m	X	SEAL SECTION	PROFIL ETANCH	DICHTPROFIL	PARTE DE RETEN
105	D28981469		1	HINGE	CHARNIERE	SCHARNIER	CHARNELA
106	D28981468		1	HINGE	CHARNIERE	SCHARNIER	CHARNELA
107	D45744100		3	PLUG	BOUCHON	STOPFEN	TAPON
108	D45744500		1	PLUG	BOUCHON	STOPFEN	TAPON
110	D20400466		3	WASHER	RONDELLE	SCHEIBE	ARANDELA
111	D41010400		3	NUT	ECROU	MUTTER	TUERCA



D-ACYH-004-A

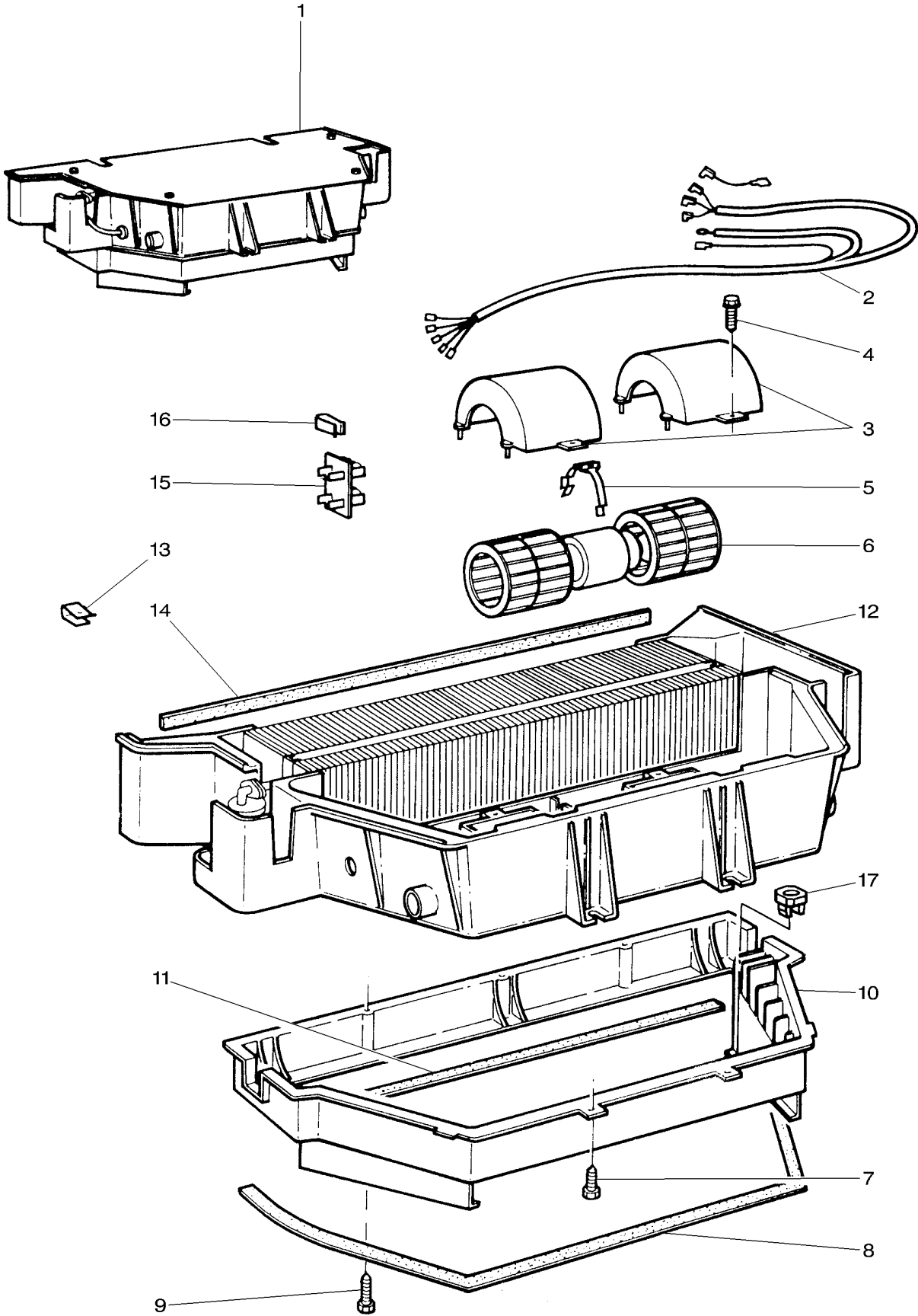
112	D44732900		1	GROMMET	PASSE FIL	GUMMITUELLE	PASACABLE
113	D28981578		1	BRACKET	SUPPORT FIXATION	HALTEAM	SOPORTE
114	D44731900		1	GROMMET	PASSE FIL	GUMMITUELLE	PASACABLE
116	D20400507		4	SPACER	ENTRETOISE	ABSTANDSTUECK	DISCO ESPACIADOR
118	339560X1	M6 X 16	8	HEX. SOCK. SCREW	VIS TETE HEX	ZYLINDERSCHRAUBE	TORN.CAB.HUECA
119	D45749200		13	WASHER	RONDELLE	SCHEIBE	ARANDELA
120	D45744900		6	PROTECTOR	PROTECTEUR	SCHUTZ	PROTECTOR
124*	D45080109	➡ 61870	8	COVER	COUVERCLE	ABDECKUNG.	CUBIERTA
125	D28981849		8	PLATE	PLAQUE	PLATTE	PLATO
125*	D28981482	➡ 61869	8	MUFF	CACHE	FLANSCHMUFFE	MANGUITO ACOPLAM
126	D43429800		18	CLIP	PATTE D'ATTACHE	SHELLE	CLIP
127	D40740500		32	SCREW	VIS	SCHRAUBE	TORNILLO
128	D28981799		1	FRAME	BATI	RAHMEN	BASTIDOR
130	D41100300		3	WASHER	RONDELLE	SCHEIBE	ARANDELA
131	D43429900		6	CLIP	PATTE D'ATTACHE	SCHELLE	CLIP
132*	D45080109	124 [C]	8	COVER	COUVERCLE	ABDECKUNG.	CUBIERTA
133*	D45080110	124 [C]	8	SEAL	JOINT ETANCHEITE	DICHTRING	JUNTA REDONDA

[A] ONLY FOR SWITZERLAND
 VALABLE POUR LA SUISSE SEULEMENT
 NUR FUER DIE SCHWEIZ
 SOLA PARA SUIZA

[B] ORANGE BASE HELLA
 SOCLE ORANGE HELLA
 ORANGE SOCKEL HELLA
 ASIENTO COLOR NARANJA, HELLA

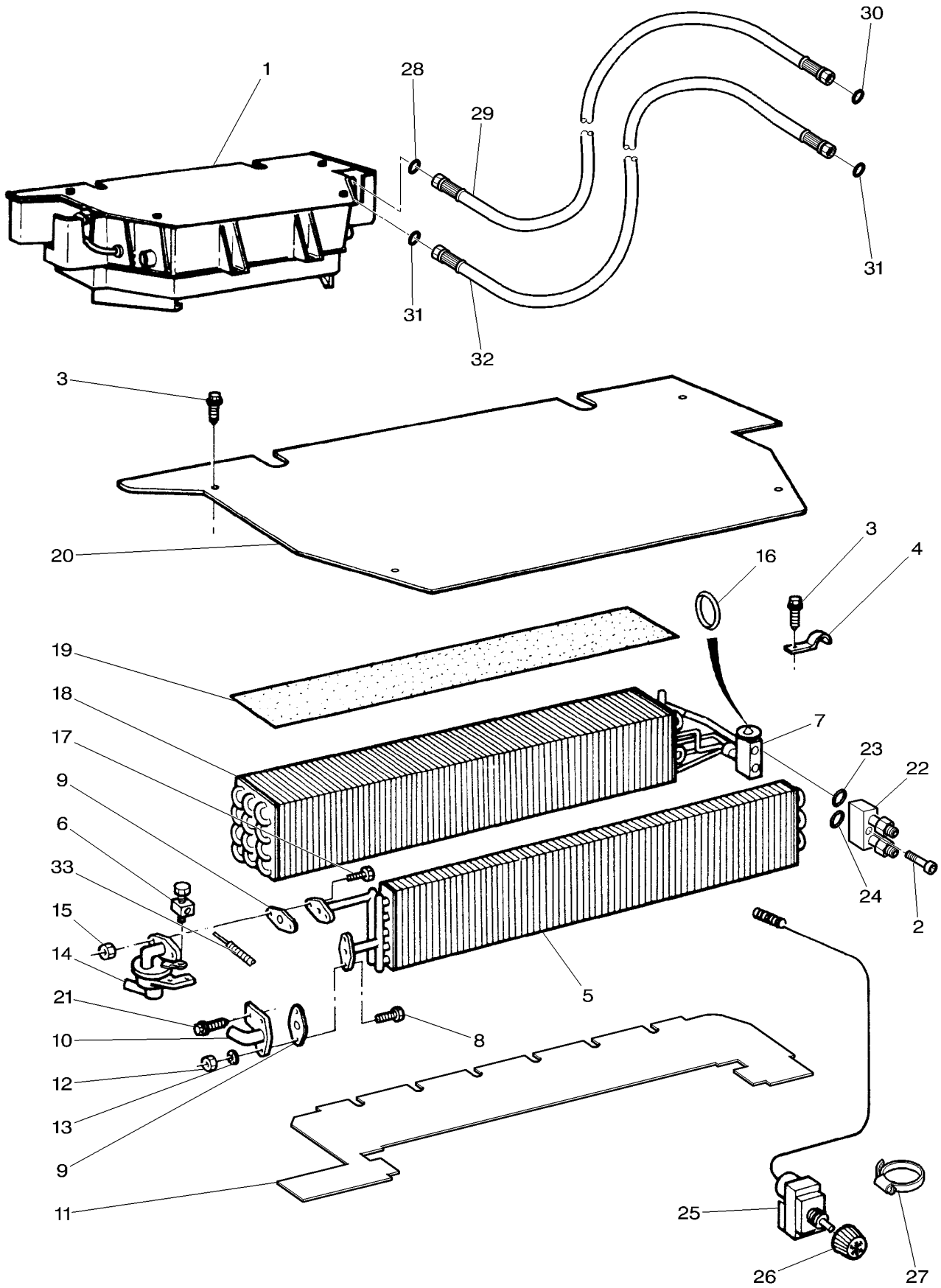
[C] NOT ILLUSTRATED
 NON ILLUSTRE
 NICHT ILLUSTRIRT
 NO ILUSTRADO

[D] CUT TO REQUIRED LENGTH
 COUPER A LA LONGEUR DESIREE
 BENOETIGTE LAENGE ABSCHNEIDEN
 CORTAR A LA LONGITUD DESEADA



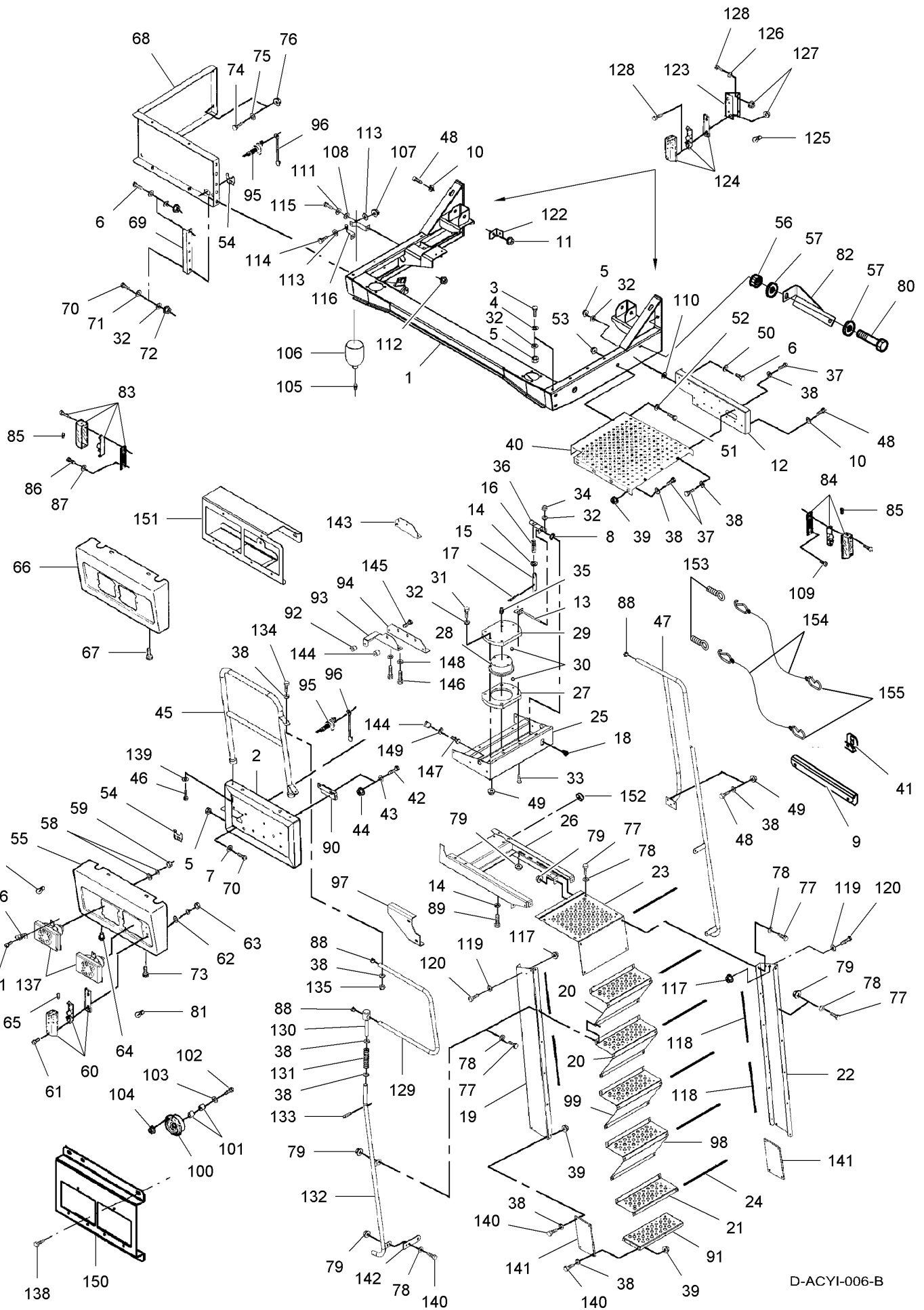
D-ACYL-001-B

1	D45080055		1	HEATER	CHAUFFAGE	HEIZUNG	CALENTADOR
2	3902318M91	1	1	HARNES	FAISCEAU	KABELBAUM	MAZO CABLES
3	3310833M1	1	2	COVER	COUVERCLE	ABDECKUNG.	CUBIERTA
4	3310837M1	1	4	SCREW	VIS	SCHRAUBE	TORNILLO
5	3902320M1	1	1	STRAP	PATTE	LASCHE	FAJA
6	3310831M91	1	1	MOTOR	MOTEUR.	MOTOR.	MOTOR,
7	3310837M1	1	6	SCREW	VIS	SCHRAUBE	TORNILLO
8	3902322M1	1	1	FOAM	MOUSSE	SCHAUMSTOFF	ESPUMA
9	3310841M1	1	3	SCREW	VIS	SCHRAUBE	TORNILLO
10	3310840M1	1	1	HOUSING	CARTER	GEHAEUSE	ALOJAMIENTO
11	3310843M1	1	1	FOAM	MOUSSE	SCHAUMSTOFF	ESPUMA
12	3310825M1	1	1	HOUSING	CARTER	GEHAEUSE	ALOJAMIENTO
13	3310842M1	1	9	STRAP	PATTE	LASCHE	FAJA
14	3310849M1	1	1	FOAM	MOUSSE	SCHAUMSTOFF	ESPUMA
15	3304510M92	1	1	RESISTOR	RESISTANCE	WIDERSTAND	RESISTENCIA
16	3310834M1	1	1	STRAP	PATTE	LASCHE	FAJA
17	3583649M1	1	1	NUT SPECIAL	ECROU SPECIAL	SPEZIALMUTTER	TUERCA ESPECIAL



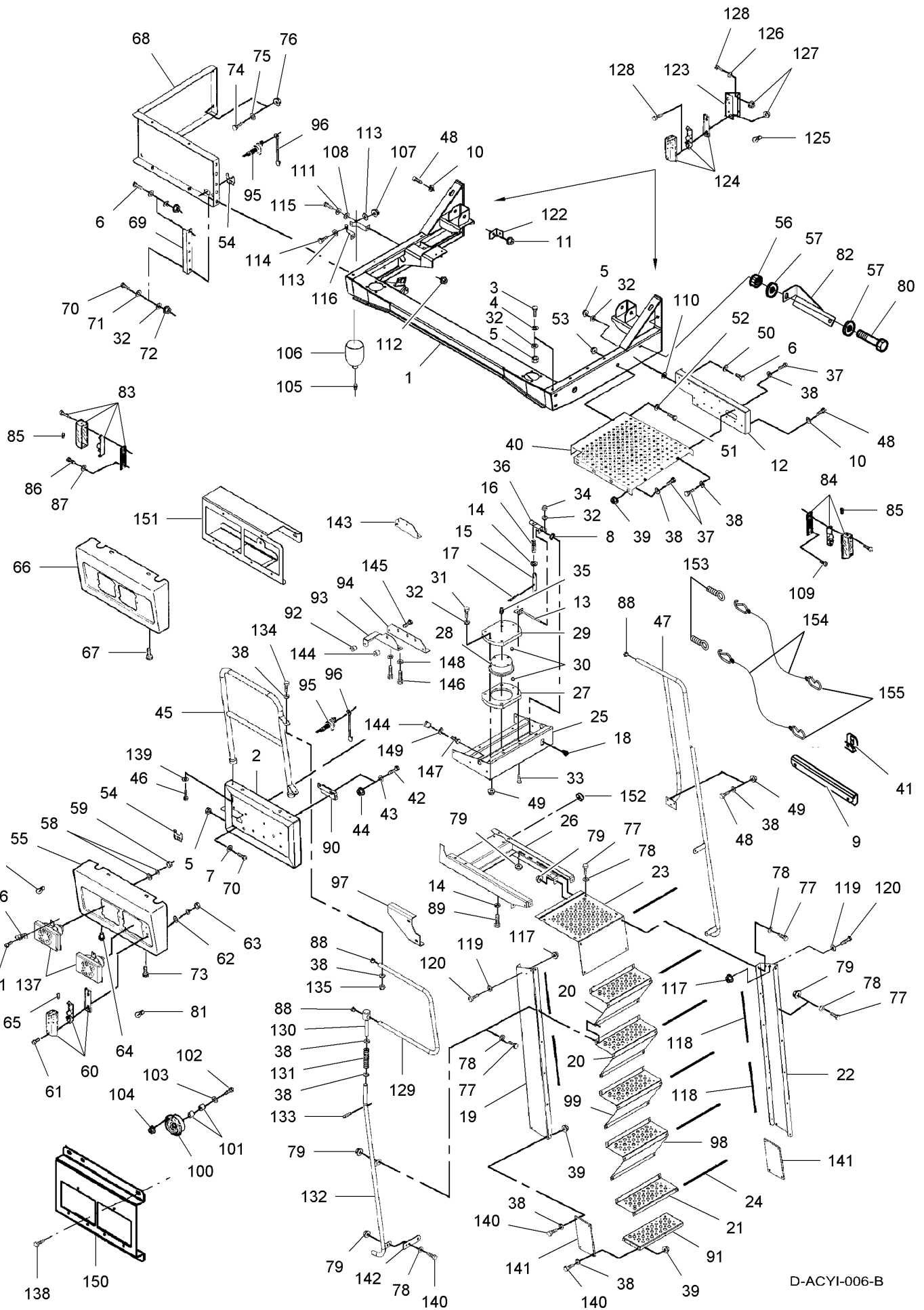
D-ACYL-003-A

1	D45080055		1	HEATER	CHAUFFAGE	HEIZUNG	CALENTADOR
2	3015257X1	1 M6 X 55	2	SCREW METRIC	VIS METRIQUE	SCHRAUBE METR	TORNILLO METRICO
3	3310837M1	1	6	SCREW	VIS	SCHRAUBE	TORNILLO
4	3310836M1	1	1	STRAP	PATTE	LASCHE	FAJA
5	3310827M92	1	1	RADIATOR	RADIATEUR	KUEHLER	RADIADOR
6	3311579M91	1	1	UNION	RACCORD	VERSCHRAUBUNG	RACOR
7	3902334M91	1	1	REGULATOR	REGULATEUR	REGLER	REGULADOR
8	3902089M1	1	2	SCREW	VIS	SCHRAUBE	TORNILLO
9	3902327M1	1	2	GASKET	JOINT	FLACHDICHTUNG	JUNTA PLANA
10	3310946M1	1	1	ELBOW	COUDE	WINKELSTUECK	CODO
11	3902329M2	1	1	PLATE	PLAQUE	PLATTE	PLATO
12	3902090M1	1	2	NUT	ECROU	MUTTER	TUERCA
13	3902090M1	1	2	NUT	ECROU	MUTTER	TUERCA
14	3310945M1	1	1	COCK	ROBINET	ABSPERRHAHN	AGUJA INDICADORA
15	3902090M1	1	2	NUT	ECROU	MUTTER	TUERCA
16	3902550M1	1	1	O RING	JOINT TORIQUE	O-RING	JUNTA TOROIDAL
		⊙ 6,7 mm					
		●○ 3902499M1					
16	3902551M1	1	3	O RING	JOINT TORIQUE	O-RING	JUNTA TOROIDAL
		⊙ 13,4 mm					
		●○ 3902500M1					
17	3902089M1	1	2	SCREW	VIS	SCHRAUBE	TORNILLO
18	3902331M92	1	1	EVAPORATOR	EVAPORATEUR	VERDUNSTER	EVAPORADOR
19	3902332M1	1	1	FOAM	MOUSSE	SCHAUMSTOFF	ESPUMA
20	3310839M1	1	1	PLATE	PLAQUE	PLATTE	PLATO
21	3902089M1	1	2	SCREW	VIS	SCHRAUBE	TORNILLO
22	3902549M91	1	1	CONNECTION	CONNEXION	VERBINDUNG	CONEXION
23	3902550M1	1	1	O RING	JOINT TORIQUE	O-RING	JUNTA TOROIDAL
24	3902551M1	1	1	O RING	JOINT TORIQUE	O-RING	JUNTA TOROIDAL
25	D45093000		1	THERMOSTAT	THERMOSTAT	THERMOSTAT	TERMOSTATO
26	D45070026		1	BUTTON	BOUTON	KNOPFTASTE	BOTON
27	3000483X1	⊙ 16-22	2	HOSE CLIP	COLLIER DURITE	SCHLAUCHBINDER	ABRAZADERA TUBO
28	3010471X1	⊙ 7,65 mm	1	O RING	JOINT TORIQUE	O-RING	JUNTA TOROIDAL
29*	D45080051	[A]	1	HOSE	DURITE	SCHLAUCH	TUBO DE GOMA
30	D45450100		1	O RING	JOINT TORIQUE	O-RING	JUNTA TOROIDAL
31	D45450200		2	O RING	JOINT TORIQUE	O-RING	JUNTA TOROIDAL
32*	D45080052	[B]	1	HOSE	DURITE	SCHLAUCH	TUBO DE GOMA
33	3902212M2		1	CABLE	CABLE	KABEL	CABLE
[A] COMPRESSOR COMPRESSEUR KOMPRESSOR COMPRESOR							
[B] FROM FILTER DU FILTRE AB FILTER PARA EL FILTRO							



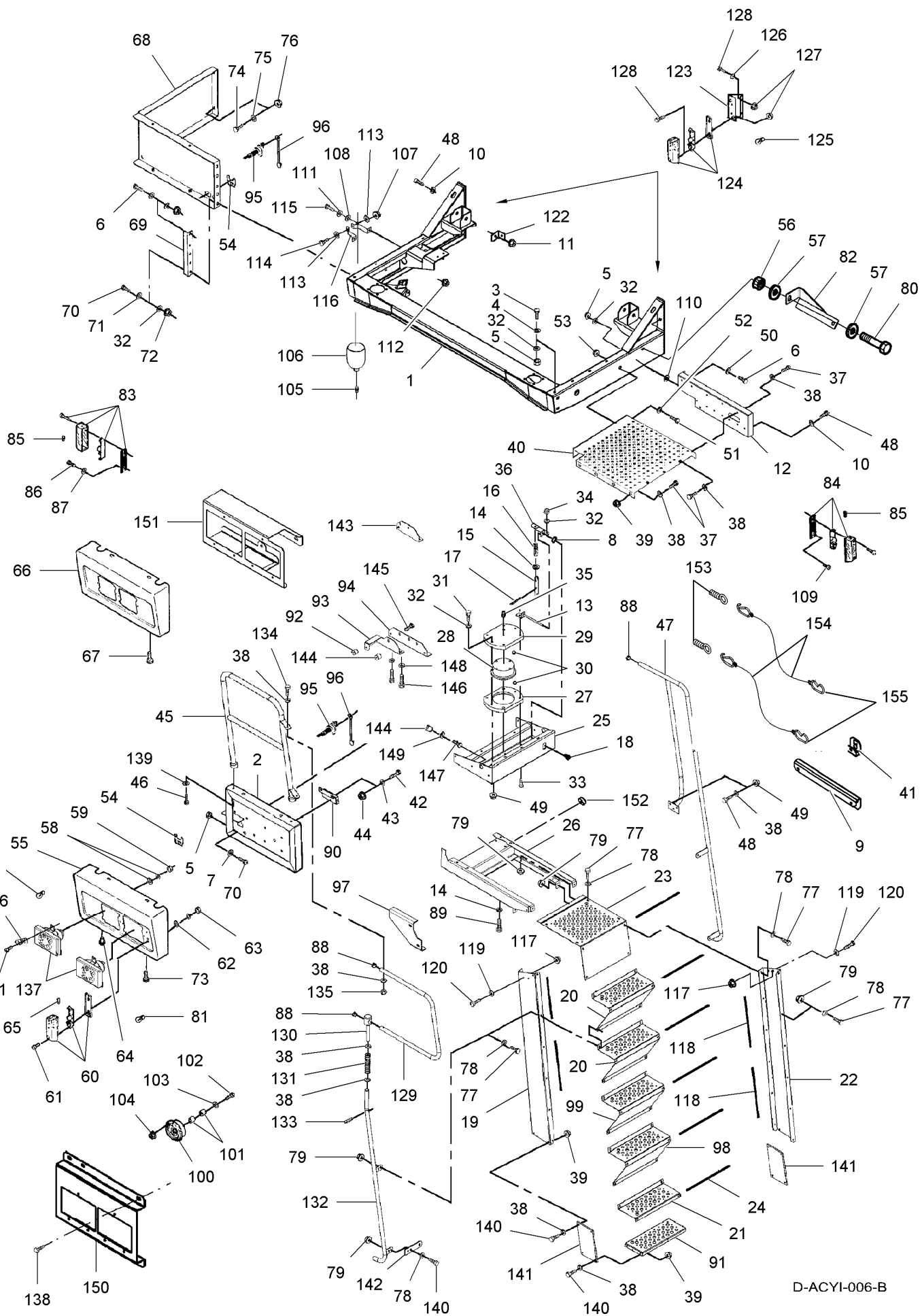
D-ACYI-006-B

1	D28981687		1	SUSPENSION	SUSPENSION	AUFHAENGUNG.	SUSPENSION
2	D28981758		1	PLATE	PLAQUE	PLATTE	PLATO
3	339814X1	M10 X 35	1	HEX. SOCK. SCREW	VIS TETE HEX	ZYLINDERSCHRAUBE	TORN.CAB.HUECA
4	D20400420		3	WASHER	RONDELLE	SCHEIBE	ARANDELA
5	1440329X1	M10	1	LOCKNUT	ECROU FREIN	SICHERUNGSMUTTER	CONTRATUERCA
6	3009493X1	M10 X 30	3	HEX. SOCK. SCREW	VIS TETE HEX	ZYLINDERSCHRAUBE	TORN.CAB.HUECA
7	D20400419		2	WASHER	RONDELLE	SCHEIBE	ARANDELA
8	D44731100		1	GROMMET	PASSE FIL	GUMMITUELLE	PASACABLE
9	D28982145		1	SUPPORT	SUPPORT	TRAGER	SOPORTE
10	D20400506		X	WASHER	RONDELLE	SCHEIBE	ARANDELA
11	394367X1	M8	4	NUT	ECROU	MUTTER	TUERCA
12	D28981299		1	PLATFORM	PLATEFORME	PLATTFORM	PLATATORMA
13	D28981272		1	LEVER	LEVIER	HEBEL	PALANCA
14	D20400426		3	WASHER	RONDELLE	SCHEIBE	ARANDELA
15	D28981263		1	PIN	GOUPILLE	STIFT	PASADOR
16	D28210500		1	SPRING	RESSORT	FEDER	MUELLE
17	3000197X1	∅ 4 X 35	1	SPLIT PIN	GOUPILLE FENDUE	SPALTBOLZEN	PASADOR HENDIDO
18	D43383900		1	LEVER	LEVIER	HEBEL	PALANCA
19	D28981617		1	LADDER	EHELLE	LEITER	ESCALERA
20	D28981265		2	STEP	MARCHEPIED	STUFEN	APOYAPIES
21	D28981616		1	STEP	MARCHEPIED	STUFEN	APOYAPIES
22	D28981613		1	LADDER	EHELLE	LEITER	ESCALERA
23	D28981268		1	STEP	MARCHEPIED	STUFEN	APOYAPIES
24	D44740800	[I] ◀▶ 18 M	X	STRIP	RUBAN	STREIFEN	TIRA
25	D28981628		1	STEP	MARCHEPIED	STUFEN	APOYAPIES
26	D28981261		1	SUPPORT	SUPPORT	TRAGER	SOPORTE
27	D28981258		1	FLANGE	FLASQUE	FLANSCH	PLETINA
28	D28981257		1	FLANGE	FLASQUE	FLANSCH	PLETINA
29	D28981259		1	FLANGE	FLASQUE	FLANSCH	PLETINA
30	D41648300		76	BALL	BILLE	KUGEL	BOLA
31	1441370X1		2	HEX. SOCK. SCREW	VIS TETE HEX	ZYLINDERSCHRAUBE	TORN.CAB.HUECA
32	D20400416		6	WASHER	RONDELLE	SCHEIBE	ARANDELA
33	D40067600		4	SCREW	VIS	SCHRAUBE	TORNILLO
34	1440329X1	M10	4	LOCKNUT	ECROU FREIN	SICHERUNGSMUTTER	CONTRATUERCA
35	D43002700		1	GREASE FITTING	GRAISSEUR	DRUCKSCHMIERKOPF	ENGRASADOR
36	D28981262		1	BRACKET	SUPPORT FIXATION	HALTEAM	SOPORTE
37	339123X1	M8 X 20	X	HEX. SOCK. SCREW	VIS TETE HEX	ZYLINDERSCHRAUBE	TORN.CAB.HUECA
38	D20400506		X	WASHER	RONDELLE	SCHEIBE	ARANDELA
39	394367X1	M8	X	NUT	ECROU	MUTTER	TUERCA
40	D28981607		1	PLATFORM	PLATEFORME	PLATTFORM	PLATATORMA
40	D28981289	[F] CB 8300	1	PLATE	PLAQUE	PLATTE	PLATO
40	D28981729	[H] CB 8350	1	PLATE	PLAQUE	PLATTE	PLATO
41	D28982144		1	SUPPORT	SUPPORT	TRAGER	SOPORTE
42	339123X1	M8 X 20	2	HEX. SOCK. SCREW	VIS TETE HEX	ZYLINDERSCHRAUBE	TORN.CAB.HUECA
43	D20400506		2	WASHER	RONDELLE	SCHEIBE	ARANDELA
44	394367X1	M8	2	NUT	ECROU	MUTTER	TUERCA
45	D28980118		1	RAIL	RAIL	SCHIENE	RIEL
45	D28981412	[F]	1	GUIDEWAY	RAMBARDE	FUEHRUNGSSCHIENE	RIEL DE GUIA
46	3009491X1	M10 X 20	2	HEX. SOCK. SCREW	VIS TETE HEX	ZYLINDERSCHRAUBE	TORN.CAB.HUECA
47	D28981625		1	RAIL	RAIL	SCHIENE	RIEL
47	D28981410	[F]	1	RAIL	RAIL	SCHIENE	RIEL
48	339761X1	M8 X 25	X	HEX. SOCK. SCREW	VIS TETE HEX	ZYLINDERSCHRAUBE	TORN.CAB.HUECA
49	394367X1	M8	X	NUT	ECROU	MUTTER	TUERCA
50	D20400416		3	WASHER	RONDELLE	SCHEIBE	ARANDELA
51	339666X1	M6 X 20	X	HEX. SOCK. SCREW	VIS TETE HEX	ZYLINDERSCHRAUBE	TORN.CAB.HUECA
52	D20400404		X	WASHER	RONDELLE	SCHEIBE	ARANDELA
53	1441462X1	M6	X	LOCKNUT	ECROU FREIN	SICHERUNGSMUTTER	CONTRATUERCA
54	D28980980		2	COVER	COUVERCLE	ABDECKUNG.	CUBIERTA
55	D28981398		1	SHIELD	TOLE	SCHILD	BLINDAJE
56	394367X1	M8	1	NUT	ECROU	MUTTER	TUERCA
57	D20400506		2	WASHER	RONDELLE	SCHEIBE	ARANDELA
58	D20400400		16	WASHER	RONDELLE	SCHEIBE	ARANDELA
59	D41010400		8	NUT	ECROU	MUTTER	TUERCA
60	D45080007		2	LIGHT	FEU	LEUCHTE	LAMPARA/LUZ
61	D40351400		4	SCREW	VIS	SCHRAUBE	TORNILLO
62	D20400400		4	WASHER	RONDELLE	SCHEIBE	ARANDELA
63	D41010400		4	NUT	ECROU	MUTTER	TUERCA
64	D43385200		3	SCREW	VIS	SCHRAUBE	TORNILLO
65	621235M1		X	BULB 12V 21W	AMPOULE 12V 21W	GLUEHL 12V21W	BOMB 12V 21W
66	D28981399		1	SHIELD	TOLE	SCHILD	BLINDAJE
67	D43385200		4	SCREW	VIS	SCHRAUBE	TORNILLO
68	D58986152		1	GUARD	GARDE	SCHUTZVORR	DEFENSA
69	D28980986		1	SUPPORT	SUPPORT	TRAGER	SOPORTE
70	3009492X1	M10 X 25	4	HEX. SOCK. SCREW	VIS TETE HEX	ZYLINDERSCHRAUBE	TORN.CAB.HUECA
71	D20400419		5	WASHER	RONDELLE	SCHEIBE	ARANDELA
72	1440329X1	M10	5	LOCKNUT	ECROU FREIN	SICHERUNGSMUTTER	CONTRATUERCA
73	339124X1	M8 X 16	1	HEX. SOCK. SCREW	VIS TETE HEX	ZYLINDERSCHRAUBE	TORN.CAB.HUECA
74	339123X1	M8 X 20	2	HEX. SOCK. SCREW	VIS TETE HEX	ZYLINDERSCHRAUBE	TORN.CAB.HUECA
75	D20400414		2	WASHER	RONDELLE	SCHEIBE	ARANDELA



D-ACYI-006-B

76	394367X1	M8	2	NUT	ECROU	MUTTER	TUERCA
77	339123X1	M8 X 20	X	HEX. SOCK. SCREW	VIS TETE HEX	ZYLINDERSCHRAUBE	TORN.CAB.HUECA
78	D20400506		X	WASHER	RONDELLE	SCHEIBE	ARANDELA
79	394367X1	M8	X	NUT	ECROU	MUTTER	TUERCA
80	339761X1	M8 X 25	1	HEX. SOCK. SCREW	VIS TETE HEX	ZYLINDERSCHRAUBE	TORN.CAB.HUECA
81	965465M1	[B]	4	BULB H/L 45/40W	AMPOULE 45/40W	GLUEHL.45/40W	BOMBFARO 45/40W
81	3713341M1	[A]	4	BULB 12V 60/55W	AMP H4 60/55 W	GLUEHL 12V60/55W	BOMBILLA12V60/55
82	D28285381		1	BRACKET	SUPPORT FIXATION	HALTEAM	SOPORTE
83	D45077500	▶	1	FLASHER	CLIGNOTANT	BLINKLICHT	DESTELLO
84	D45077600	◀	1	FLASHER	CLIGNOTANT	BLINKLICHT	DESTELLO
85	621235M1		2	BULB 12V 21W	AMPOULE 12V 21W	GLUEHL 12V21W	BOMB 12V 21W
86	3001162X1	M4 X 16	2	SCREW	VIS	SCHRAUBE	TORNILLO
87	D20400400		2	WASHER	RONDELLE	SCHEIBE	ARANDELA
88	D45744200		3	FERRULE	VIROLE	ZWINGE	MANGTO METALICO
89	1440716X1	M12 X 30	4	HEX. SOCK. SCREW	VIS TETE HEX	ZYLINDERSCHRAUBE	TORN.CAB.HUECA
90	D28980995		1	STOP	BUTEE	ANSCHLAG	PARO
91	D18981621	[C]	1	STEP	MARCHEPIED	STUFEN	APOYAPIES
92	D46482000		1	DAMPER	AMORTISSEUR	DAEMPFER	VALV.REGULADORA
93	D28981743		1	BRACKET	SUPPORT FIXATION	HALTEAM	SOPORTE
94	D28981730		1	BRACKET	SUPPORT FIXATION	HALTEAM	SOPORTE
95	D45068200		2	ELECTRIC SOCKET	PRISE ELEC FEMEL	STECKDOSE	TOMACORRIENTE F
96	D45068300		2	DUSTCAP	CACHE POUSSIERES	STAUBKAPPE	GUARDAPOLVA
97	D28981619		1	BRACKET	SUPPORT FIXATION	HALTEAM	SOPORTE
98	D28981615		1	STEP	MARCHEPIED	STUFEN	APOYAPIES
99	D28981614		1	STEP	MARCHEPIED	STUFEN	APOYAPIES
100	D45019500		1	HORN	AVERTISSEUR	HORN	BOCINA
101	D28480172		2	SPACER	ENTRETOISE	ABSTANDSTUECK	DISCO ESPACIADOR
102	339168X1	M8 X 50	1	HEX. SOCK. SCREW	VIS TETE HEX	ZYLINDERSCHRAUBE	TORN.CAB.HUECA
103	D20400506		1	WASHER	RONDELLE	SCHEIBE	ARANDELA
104	394367X1	M8	1	NUT	ECROU	MUTTER	TUERCA
105	D45250500	[G]	2	UNION	RACCORD	VERSCHRAUBUNG	RACOR
106	D28781981	[G]	1	ACCUMULATOR	ACCUMULATEUR	AKKUMULATOR	ACUMULADOR
106	D45148500	[G]	2	ACCUMULATOR	ACCUMULATEUR	AKKUMULATOR	ACUMULADOR
107	394367X1	[G]	2	NUT	ECROU	MUTTER	TUERCA
108	D41101900	[G]	6	SPRING WASHER	RONDELLE ELASTIQ	FEDERSCHEIBE	ARANDELA ELASTI.
109	3005686X1	No 10 X 13	2	SCREW	VIS	SCHRAUBE	TORNILLO
110	D20400415		1	WASHER	RONDELLE	SCHEIBE	ARANDELA
111	D20400415	[G]	6	WASHER	RONDELLE	SCHEIBE	ARANDELA
112	339402X1	[G]	3	NUT SPECIAL	ECROU SPECIAL	SPEZIALMUTTER	TUERCA ESPECIAL
113	D20400413	[G]	4	WASHER	RONDELLE	SCHEIBE	ARANDELA
114	D40424300	[G]	2	HEX. SOCK. SCREW	VIS TETE HEX	ZYLINDERSCHRAUBE	TORN.CAB.HUECA
115	339814X1	M8 X 60	3	HEX. SOCK. SCREW	VIS TETE HEX	ZYLINDERSCHRAUBE	TORN.CAB.HUECA
116	D28752408	[G]	4	SUPPORT	SUPPORT	TRAGER	SOPORTE
117	394367X1	M8	4	NUT	ECROU	MUTTER	TUERCA
118	D28782178	[I]	X	SEAL SECTION	PROFIL ETANCH	DICHTPROFIL	PARTE DE RETEN
119	D20400506	◀▶ 5 M	4	WASHER	RONDELLE	SCHEIBE	ARANDELA
120	339123X1	M8 X 20	4	HEX. SOCK. SCREW	VIS TETE HEX	ZYLINDERSCHRAUBE	TORN.CAB.HUECA
121	D45080011		12	SCREW	VIS	SCHRAUBE	TORNILLO
122	D28780772	[D]	1	RETAINER	RETENEUR	HALTERING	RETENEDOR
123	D28781364		2	BRACKET	SUPPORT FIXATION	HALTEAM	SOPORTE
124	D45080005		2	HEAD LIGHT	PHARE	SCHWEINWERFER	FARO
125	D45081300		2	BULB	AMPOULE	GLUEHLAMPE	BOMBILLA
125			1	NOT USED	NON UTILISE	NICHT VERWENDET	NO SE USA
126	D20400466		2	WASHER	RONDELLE	SCHEIBE	ARANDELA
127	1441917X1	M5	4	LOCKNUT	ECROU FREIN	SICHERUNGSMUTTER	CONTRATUERCA
128	339721X1	M5 X 16	6	HEX. SOCK. SCREW	VIS TETE HEX	ZYLINDERSCHRAUBE	TORN.CAB.HUECA
129	D28981309		1	GUIDEWAY	RAMBARDE	FUEHRUNGSSCHIENE	RIEL DE GUIA
129	D28981408	[F]	1	GUIDEWAY	RAMBARDE	FUEHRUNGSSCHIENE	RIEL DE GUIA
130	D28981311		1	TRUNNION	TOURILLON	ZAPFEN	PERNO
131	D25400086		1	SPRING	RESSORT	FEDER	MUELLE
132	D28981627		1	RAIL	RAIL	SCHIENE	RIEL
133	339071X1	∅ 6 X 30	1	PIN	GOUPILLE	STIFT	PASADOR
134	339011X1	M8 X 45	2	HEX. SOCK. SCREW	VIS TETE HEX	ZYLINDERSCHRAUBE	TORN.CAB.HUECA
135	394367X1	M8	2	NUT	ECROU	MUTTER	TUERCA
136	D45080008		12	SPRING	RESSORT	FEDER	MUELLE
137	D45080006		4	HEAD LAMP ASS RH	PHARE AVANT DR	SCHWEINWERFER RE	CONJUNTO FARO LI
137	D44900999	Ⓞ	4	HEAD LAMP ASS LH	PHARE AVANT G	SCHWEINWERFER LI	CONJUNTO FARO LI
138	D43385200		3	SCREW	VIS	SCHRAUBE	TORNILLO
139	D20400420		2	WASHER	RONDELLE	SCHEIBE	ARANDELA
140	339337X1	M8 X 30	8	HEX. SOCK. SCREW	VIS TETE HEX	ZYLINDERSCHRAUBE	TORN.CAB.HUECA
141	D28981622	[C]	2	RUBBER	CAOUTCHOUC	GUMMI	CAUCHO
142	D28981318	[E]	2	SUPPORT	SUPPORT	TRAGER	SOPORTE
143			X	NOT USED	NON UTILISE	NICHT VERWENDET	NO SE USA
144	D46482000		2	DAMPER	AMORTISSEUR	DAEMPFER	VALV.REGULADORA
145	D40603100		1	SCREW	VIS	SCHRAUBE	TORNILLO
146	D40476100	M8 X 20	2	HEX. SOCK. SCREW	VIS TETE HEX	ZYLINDERSCHRAUBE	TORN.CAB.HUECA
147	3009491X1	M10 X 20	1	HEX. SOCK. SCREW	VIS TETE HEX	ZYLINDERSCHRAUBE	TORN.CAB.HUECA



D-ACYI-006-B

148	D20400413	2	WASHER	RONDELLE	SCHEIBE	ARANDELA
149	D20400471	1	WASHER	RONDELLE	SCHEIBE	ARANDELA
150	D28981437	1	RETAINER	RETENEUR	HALTERING	RETENEDOR
151	D28982430	X	RETAINER	RETENEUR	HALTERING	RETENEDOR
152	D44718300	1	PLUG	BOUCHON	STOPFEN	TAPON
153	D40784000	2	BOLT	BOULON	BOLZEN	BULON
154	D44777500	2	ROPE	CORDE	LEINE	CORDEL
155	D42388100	2	HOOK	CROCHET	HAKEN	GANCHO

[A] FOR ASSYMMETRIC LIGHT
 POUR LUMIERE ASYMETRIQUE
 FUER ASYMMETRISCHES LICHT
 PARA LUZ ASIMETRICA

[B] FOR SYMMETRIC LIGHT
 POUR LUMIERE SYMETRIQUE
 FUER SYMMETRISCHES LIGHT
 PARA LUZ SIMETRICA

[C] AUTO LEVEL COMBINE
 MOISSONNEUSE BATTEUSE AUTO LEVEL
 AUTO LEVEL MASCHINE
 COSECHADORE CON AUTO NIVEL.

[D] OPTIONAL EQUIPMENT STANDARD COMBINE, STANDARD EQUIPMENT AUTO LEVEL COMBINE,SLOPES
 EQUIP. ACCESSOIRES MOISSONNEUSE BATTEUSE STAND. - STANDARD EQUIPMENT MOISSONNEUSE-BAT.
 AUTO LEVEL
 ZONDERZUBEHOR STANDARD MASCHINE, STANDARD AUSRUSTUNG AUTO LEVEL MASCHINE
 EQUIPO OPCIONAL,COSECHADORA ESTANDAR EQUIP. - COSECHADORA AUTONIVELACION

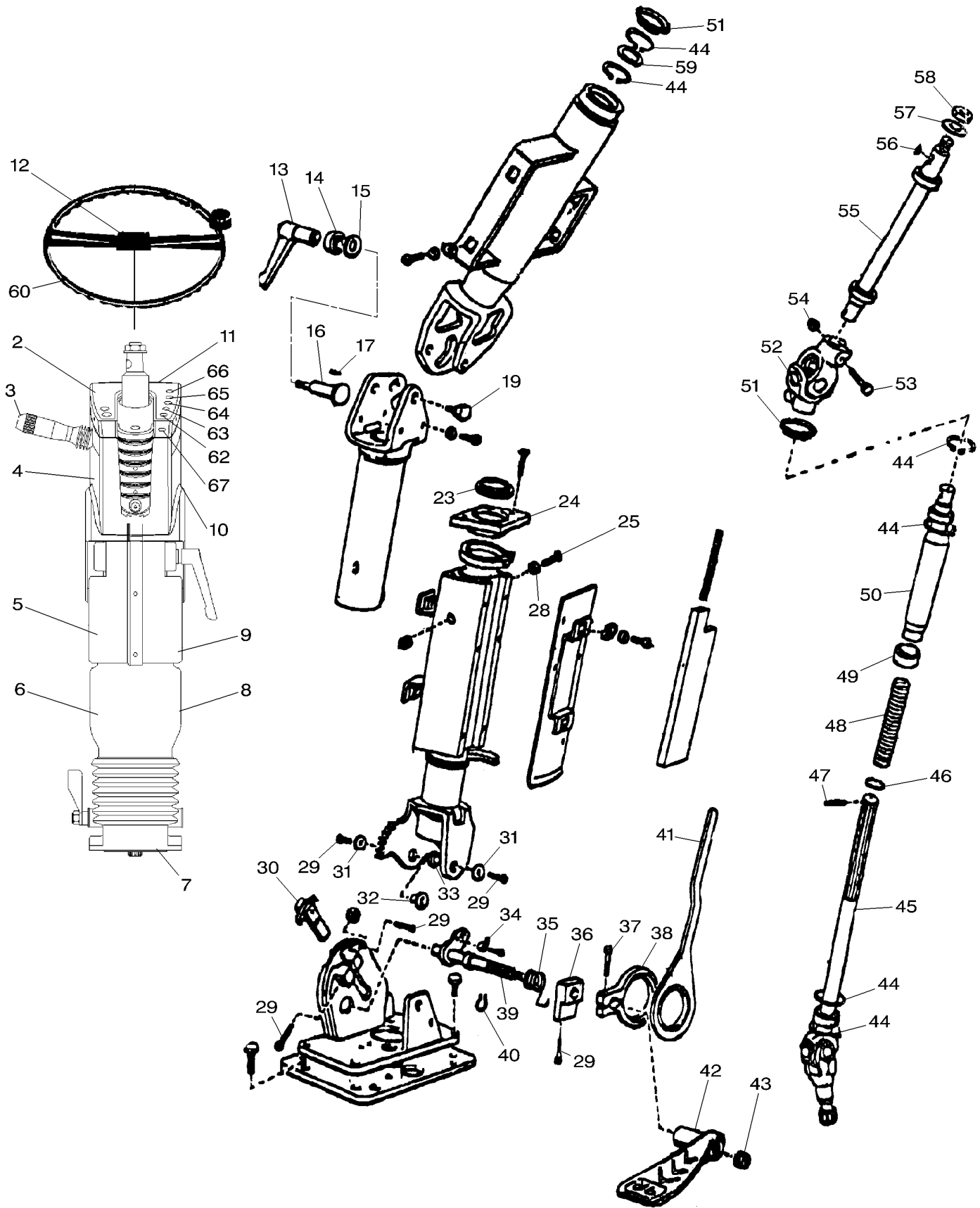
[E] WHEELS 30.5 LR32 FOR TRACTION
 POUR PNEU AVANT
 FUER ANTRIEBS RADER 30.5LR32
 PARA RUEDAS MOTRICES 30.5 LR32

[F] ONLY USED FOR TRACTION WHEEL (TERRATYRES) 73X44 00-32
 A ULITISER POUR ROUES TERRA (PNEUS TERRA) 73X44 00-32
 ANTRIEBSRADER NUR FUER TERRAREIFEN 73X44 00-32
 UTILIZAR CON RUEDAS TERRA (PNEUMATICO TERRA 73X44.00-32

[G] FOR ALL MACHINE AND STANDARD MAC. WITH AL TABLE 18" PF AND 20-25 FF/PF
 POUR MACHINES AL ET STANDARD AVEC COUPE AUTO DEVER 18"PF ET 20-25 FF/PF
 FUER AL MASHINEN UND STANDARD MASCH. MIT AL SCHEID AB 18" PF UND 20-25 FF/PF
 PARA MAQUINAS AL Y STD CON CORTA AUTO DEVER 18" PF Y 20-25 FF/PF

[H] USED FOR TRACTION WHEEL - TYRES 900/55R32 AND 1050 /50R32
 A UTILISER POUR ROUES 900/55R32 ET 1050/50R32
 ANTRIEBSRAEDER FUER REIFEN 900/55R32 UND 1050/50R3 2
 UTILIZAR CON RUEDAS 900/55R32 ET 1050/50R32

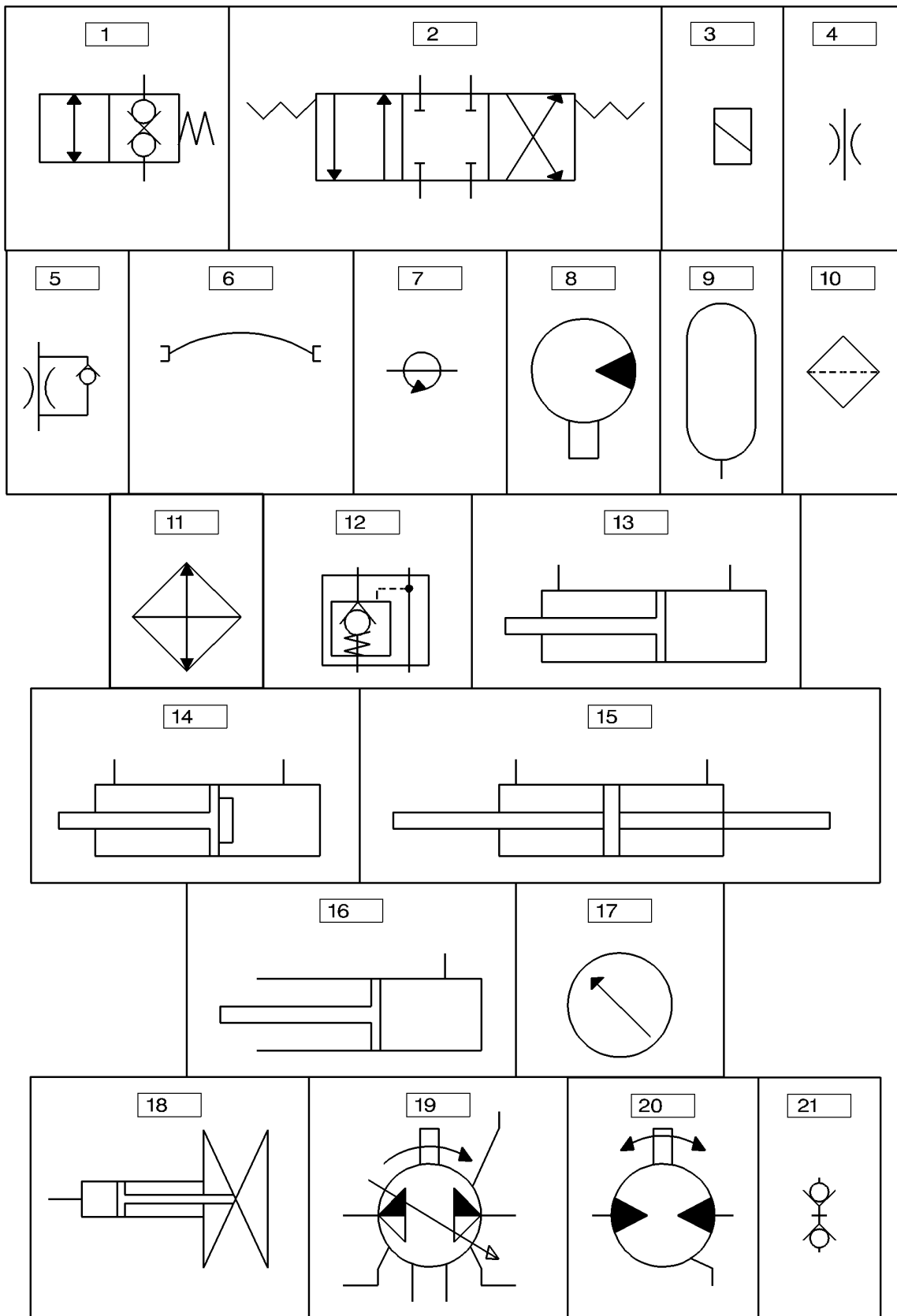
[I] CUT TO REQUIRED LENGTH
 COUPER A LA LONGEUR DESIREE
 BENOETIGTE LAENGE ABSCHNEIDEN
 CORTAR A LA LONGITUD DESEADA



D-ACYN-005-B

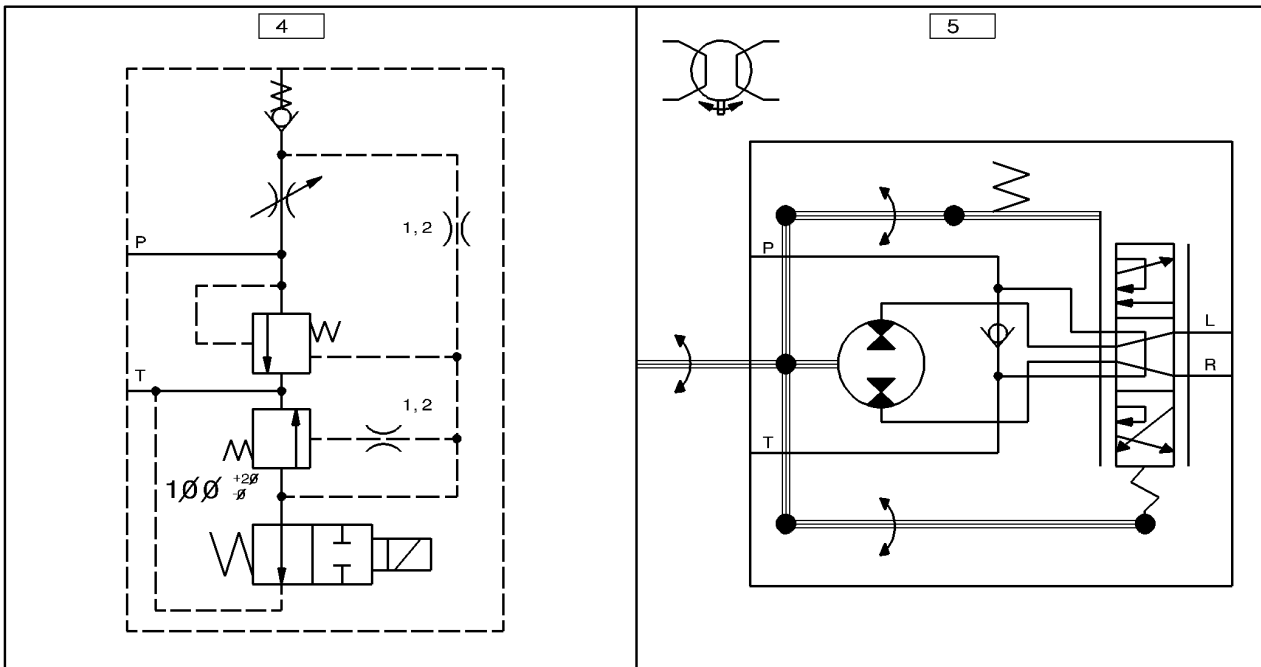
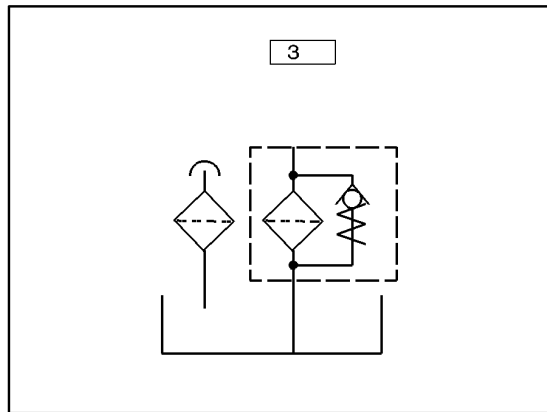
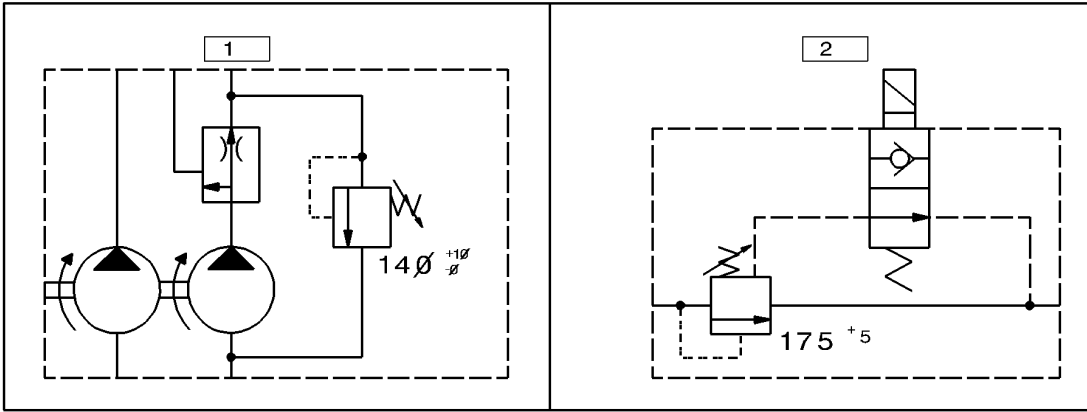
1	D45940036	[A]	1	COLUMN	COLONNE	SAEULE	COLUMNNA
2	D45931500	1	1	COVER	COUVERCLE	ABDECKUNG.	CUBIERTA
3	D45932400	1	1	COMMUTATOR	COMMULATEUR	KOMMUTATOR	CONMUTADOR
4	D45931700	1	1	COVER	COUVERCLE	ABDECKUNG.	CUBIERTA
5	D45931800	1	1	COVER	COUVERCLE	ABDECKUNG.	CUBIERTA
6	D45932100	1	1	COVER	COUVERCLE	ABDECKUNG.	CUBIERTA
7	D45932200	1	1	BELLOWS	SOUFFLET	FALTENBALG	FUELLE
8	D45932000	1	1	COVER	COUVERCLE	ABDECKUNG.	CUBIERTA
9	D45931800	1	1	COVER	COUVERCLE	ABDECKUNG.	CUBIERTA
10	D45931600	1	1	COVER	COUVERCLE	ABDECKUNG.	CUBIERTA
11	D28985459	1	1	BOARD	PLANCHE	BRETT	TABLERO
12	D45940400		1	COVER	COUVERCLE	ABDECKUNG.	CUBIERTA
13	D43387600		1	GRIP	POIGNEE	HANDGRIFF	MANGO
14	D45940003		1	BUSH	BAGUE	RING	CASQUILLO
15	D45940004		2	WASHER	RONDELLE	SCHIBE	ARANDELA
16	D45940005		1	SCREW	VIS	SCHRAUBE	TORNILLO
17	390215X1	Ø 3 X 20	1	PIN	GOUPILLE	STIFT	PASADOR
19	D45940006		2	SCREW	VIS	SCHRAUBE	TORNILLO
23	D45940007		1	GASKET	JOINT	FLACHDICHTUNG	JUNTA PLANA
24	D45940008		1	COVER	COUVERCLE	ABDECKUNG.	CUBIERTA
25	339721X1	M5 X 16	1	HEX. SOCK. SCREW	VIS TETE HEX	ZYLINDERSCHRAUBE	TORN.CAB.HUECA
28	D41010500		1	NUT	ECROU	MUTTER	TUERCA
29	3009431X1	M6 X 20	6	SCREW	VIS	SCHRAUBE	TORNILLO
30	D45940009		1	LOCKING PLATE	PLAQUE BLOCAGE	SICH.BLECH	PLACA DE BLOCAJE
31	391038X1		2	FLAT WASHER	RONDELLE PLATE	UNTERLEGSCHIEBEN	ARANDELA PLANA
32	D45940010	▶	1	PIVOT	PIVOT	DREHZAPFEN.	PIVOTE
33	D45940011	◀	1	PIVOT	PIVOT	DREHZAPFEN.	PIVOTE
34	D45940012		1	SPRING CARRIER	SUPPORT RESSORT	FEDERTRAEGER	SOPORTE DE MUELL
35	D45940013		1	SPRING	RESSORT	FEDER	MUELLE
36	D45940015		1	BEARING	COUSSINET	LAGER	COJINETE
37	D40688800		1	SCREW	VIS	SCHRAUBE	TORNILLO
38	D45940016		1	RETAINER	RETENEUR	HALTERING	RETENEDOR
39	D45940014		1	CLEVIS PIN	AXE	SPLINTBOLZEN	BULON CILINDRICO
40	D42501300		1	CIRCLIP	CIRCLIP	SEEGERING	GRAPA CIRCULAR
41	D45940018		1	DOG	CHIEN	KLAUE	PRISIONERO
42	D45940017		1	PEDAL	PEDALE	PEDAL	PEDAL
43	1440329X1	M10	1	LOCKNUT	ECROU FREIN	SICHERUNGSMUTTER	CONTRATUERCA
44	D42512900		6	CIRCLIP	CIRCLIP	SEEGERING	GRAPA CIRCULAR
45	D45940020		1	DRIVE SHAFT	ARBRE DE CDE	ANTRIEBSWELLE	EJE MOTRIZ
46	D42547500		1	RING	ANNEAU	RING.	ANILLO
47	D42604600		1	PIN	GOUPILLE	STIFT	PASADOR
48	D45940024		1	SPRING	RESSORT	FEDER	MUELLE
49	D45940019		1	BUSH	BAGUE	RING	CASQUILLO
50	D45940023		1	TUBE	TUBE	ROHR	TUBO.
51	D45940001		2	GASKET	JOINT	FLACHDICHTUNG	JUNTA PLANA
52	D45940021		1	UNIVERSAL JOINT	CARDAN	KARDANGELLENK	JUNTA UNIVERSAL
53	339009X1	M8 X 35	2	HEX. SOCK. SCREW	VIS TETE HEX	ZYLINDERSCHRAUBE	TORN.CAB.HUECA
54	394367X1	M8	2	NUT	ECROU	MUTTER	TUERCA
55	D45940022		1	CLEVIS PIN	AXE	SPLINTBOLZEN	BULON CILINDRICO
56	D43171400		1	KEY	CLAVETTE	STELLKEIL	CHAVETA
57	D20400438		1	WASHER	RONDELLE	SCHIBE	ARANDELA
58	D41042800	M18	1	NUT	ECROU	MUTTER	TUERCA
59	D45940002		1	SPACER	ENTRETOISE	ABSTANDSTUECK	DISCO ESPACIADOR
60	D45940300		1	STEERING WHEEL	VOLANT DIRECTION	LENKRAD	VOLANT DIRECCION
62			X	NOT USED	NON UTILISE	NICHT VERWENDET	NO SE USA
63			X	NOT USED	NON UTILISE	NICHT VERWENDET	NO SE USA
64			X	NOT USED	NON UTILISE	NICHT VERWENDET	NO SE USA
65			X	NOT USED	NON UTILISE	NICHT VERWENDET	NO SE USA
66			X	NOT USED	NON UTILISE	NICHT VERWENDET	NO SE USA
67			X	NOT USED	NON UTILISE	NICHT VERWENDET	NO SE USA

[A] NOT ILLUSTRATED
 NON ILLUSTRÉ
 NICHT ILLUSTRIRT
 NO ILUSTRADO



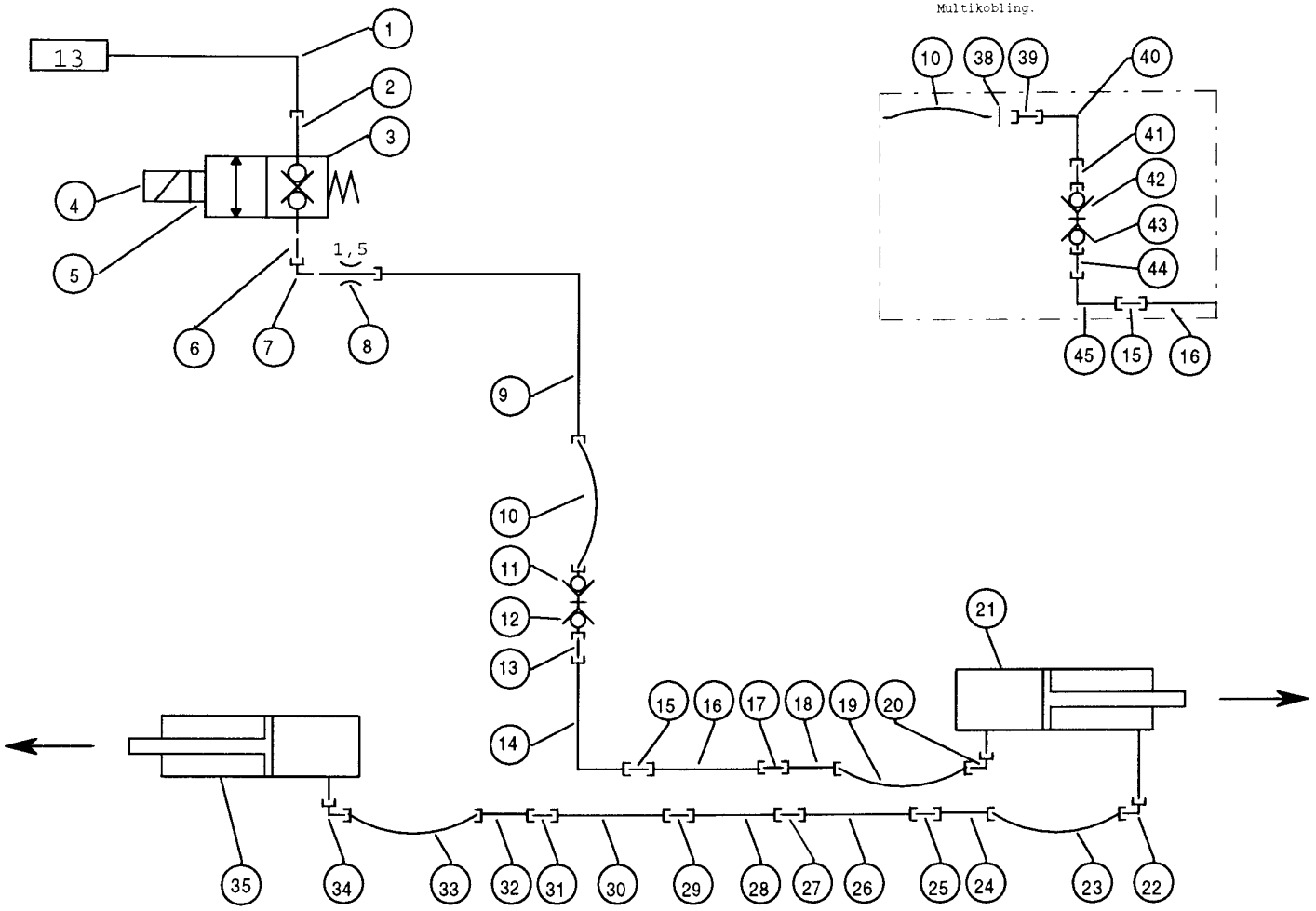
D-ADZA-002-A

1	2/2 VENTIL	X PRESSURE VALVE	VALVE	DRUCKVENTIL	VALVULA PRESION
2	4/3 VENTIL	X PRESSURE VALVE	VALVE	DRUCKVENTIL	VALVULA PRESION
3	MAGNETSPOLE	X COIL	BOBINE	SPULE	BOBINA
4	DROVLESKIVE	X REGULATOR	REGULATEUR	REGLER	REGULADOR
5	DROLESKIVE.EN VE	X REGULATOR	REGULATEUR	REGLER	REGULADOR
6	HYDR. SLANGE	X HYDRAULIC HOSE	DURITE HYDRAULIC	HYDRAUL.SCHLAUCH	TUBO HYDRAULICO
7	DREJEFORBINDELSE	X CLUTCH	EMBAYAGE	SCHALTKUPPLUNG	EMBRAGUE
8	HYDR. MOTOR	X HYDRAULIC MOTOR	MOTEUR HYDRAULIC	HYDRAULIK MOTOR	MOTOR HIDRAULICO
9	AKKUMULATOR	X ACCUMULATOR	ACCUMULATEUR	AKKUMULATOR	ACUMULADOR
10	OLIEFILTER	X FILTER	FILTRE	FILTER	FILTRO
11	KOLER	X RADIATOR	RADIATEUR	KUEHLER	RADIADOR
12	KONTRAVENTIL	X NON RETURN VALVE	CLAPET	RUECKSCHLAGVENT.	VALV.SIN RETORNO
13	DOBBELTV.CYLIND.	X HYDRAULIC, CYLIN	VERIN HYDRAULI.	HYDRAULIK ZYLIND	CILINDRO IDRAULI
14	DOBBELTV. YLIND.	X HYDRAULIC, CYLIN	VERIN HYDRAULI.	HYDRAULIK ZYLIND	CILINDRO IDRAULI
15	STYRE CYLINDER	X STEERING CYL	VERIN DIRECTION	LENKZYLINDER	CILINDRO DIRECC
16	ENKELTVIRKENDE	X HYDRAULIC, CYLIN	VERIN HYDRAULI.	HYDRAULIK ZYLIND	CILINDRO IDRAULI
17	MANOMETER	X MANOMETER	MANOMETRE	MANOMETER	MANOMETRO
18	CYLINDERVARIATOR	X VARIATOR	VARIATEUR	VARIATOR	VARIADOR
19	FREMDRIFTSPUMPE	X HYDRAULIC PUMP	POMPEHYDRAULIQUE	HYDROPUMPE	BOMBA HIDRAULICA
20	FREMDRIFTSMOTOR	X HYDRAULIC MOTOR	MOTEUR HYDRAULIC	HYDRAULIK MOTOR	MOTOR HIDRAULICO
21	LYNKOBLING	X COUPLING	CRABOT	KUPPLUNG	ACOPLAMIENTO

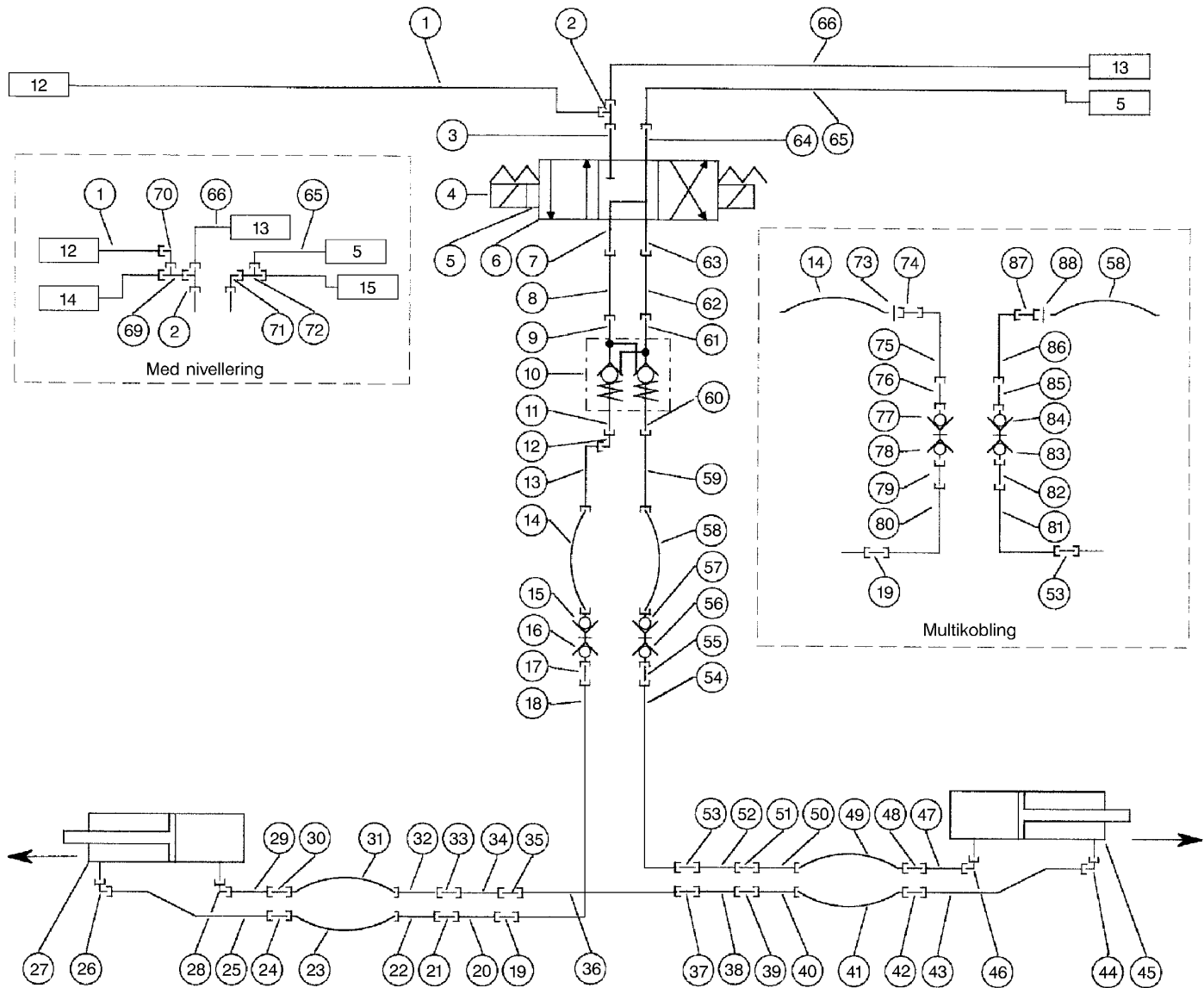


D-ADZA-001-A

1	HJALPEHYDRAULIK PUMPE	X HYDRAULIC PUMP	POMPEHYDRAULIQUE	HYDROPUMPE	BOMBA HIDRAULICA
2	OVERTRYK BYPASSVENTIL	X PRESSURE VALVE	VALVE	DRUCKVENTIL	VALVULA PRESION
3	HYDRAULIKOLIETAN	X OIL TANK	RESERVOIR HUILE	OELBEHAELTER	DEPOSITO ACEITE
4	FLOWDIVIDER	X DIVIDER	DIVISEUR	ABTEILER	ASA DESVIADOR
5	STYREORBITROL	X VALVE BLOCK	BLOC VALVE	VENTILBLOCK	BLOQUE VALVULAS



1	D28280653		1	PIPE,OIL	TUYAU HYDRAULI.	OELLEITUNG	MANGUITO ACEITE
2	D45252600		2	UNION	RACCORD	VERSCHRAUBUNG	RACOR
3	D45110054		1	VALVE	SOUPAPE	VENTIL	VALVULA
3	D45110014		1	KIT, JOINT	JEU JOINTS	DICHTUNGSSATZ	JUEGO JUNTAS
4	D45110064		1	COIL	BOBINE	SPULE	BOBINA
5	D45110065		1	MANDREL	MANDRIN	DORN	MANDREL
6	D45252600		2	UNION	RACCORD	VERSCHRAUBUNG	RACOR
7	D45263900		4	UNION	RACCORD	VERSCHRAUBUNG	RACOR
8	D28780324	1.8MM	1	WASHER	RONDELLE	SCHEIBE	ARANDELA
9	D28185566		1	PIPE	TUYAU	TUBE	TUBO
10	D45130020		1	HYDR. HOSE	FLEXIBLE	HYDR. SCHLAUCH	TUBO HIDRAULICO
11	D45138800		1	UNION	RACCORD	VERSCHRAUBUNG	RACOR
11	D45110017		1	KIT, JOINT	JEU JOINTS	DICHTUNGSSATZ	JUEGO JUNTAS
12	D45138900		1	UNION	RACCORD	VERSCHRAUBUNG	RACOR
13	D45252800		1	UNION	RACCORD	VERSCHRAUBUNG	RACOR
14	D28785585		1	PIPE	TUYAU	TUBE	TUBO
15	D45254000		6	UNION	RACCORD	VERSCHRAUBUNG	RACOR
16	D28785587	12' - 3,72M	1	PIPE	TUYAU	TUBE	TUBO
16	D28283438	14' - 4,34M	2	PIPE,OIL	TUYAU HYDRAULI.	OELLEITUNG	MANGUITO ACEITE
16	D28283437	16' - 4,95M	2	PIPE,OIL	TUYAU HYDRAULI.	OELLEITUNG	MANGUITO ACEITE
16	D28283436	18' - 5,56M	2	PIPE,OIL	TUYAU HYDRAULI.	OELLEITUNG	MANGUITO ACEITE
16	D28283826	20' - 6,16M	2	TUBE	TUBE	ROHR	TUBO.
16	D28785622	22' - 6,77M	2	PIPE	TUYAU	TUBE	TUBO
17	D45254000		6	UNION	RACCORD	VERSCHRAUBUNG	RACOR
18	D28785621	25' - 7,60M	3	PIPE	TUYAU	TUBE	TUBO
19	D45130017	FREEFLOW	3	HYDR. HOSE	FLEXIBLE	HYDR. SCHLAUCH	TUBO HIDRAULICO
19	D45130029	POWER FLOW	3	HYDR. HOSE	FLEXIBLE	HYDR. SCHLAUCH	TUBO HIDRAULICO
20	D45263900		4	UNION	RACCORD	VERSCHRAUBUNG	RACOR
21	D45100066		1	CYLINDER	CYLINDRE	ZYLINDER	CILINDRO
22	D45263900		4	UNION	RACCORD	VERSCHRAUBUNG	RACOR
23	D45130017	FREEFLOW	3	HYDR. HOSE	FLEXIBLE	HYDR. SCHLAUCH	TUBO HIDRAULICO
23	D45130029	POWER FLOW	3	HYDR. HOSE	FLEXIBLE	HYDR. SCHLAUCH	TUBO HIDRAULICO
24	D28785621	25' - 7,60M	3	PIPE	TUYAU	TUBE	TUBO
25	D45254000		6	UNION	RACCORD	VERSCHRAUBUNG	RACOR
26	D28283438	14' - 4,34M	2	PIPE,OIL	TUYAU HYDRAULI.	OELLEITUNG	MANGUITO ACEITE
26	D28283437	16' - 4,95M	2	PIPE,OIL	TUYAU HYDRAULI.	OELLEITUNG	MANGUITO ACEITE
26	D28283436	18' - 5,56M	2	PIPE,OIL	TUYAU HYDRAULI.	OELLEITUNG	MANGUITO ACEITE
26	D28283826	20' - 6,16M	2	TUBE	TUBE	ROHR	TUBO.
26	D28785622	22' - 6,77M	2	PIPE	TUYAU	TUBE	TUBO
27	D45254000		6	UNION	RACCORD	VERSCHRAUBUNG	RACOR
28	D28785586		1	PIPE	TUYAU	TUBE	TUBO
29	D45254000		6	UNION	RACCORD	VERSCHRAUBUNG	RACOR
30	D28283437	16' - 4,95M	1	PIPE,OIL	TUYAU HYDRAULI.	OELLEITUNG	MANGUITO ACEITE
30	D28283436	18' - 5,56M	1	PIPE,OIL	TUYAU HYDRAULI.	OELLEITUNG	MANGUITO ACEITE
30	D28283826	20' - 6,16M	1	TUBE	TUBE	ROHR	TUBO.
30	D28785622	22' - 6,77M	1	PIPE	TUYAU	TUBE	TUBO
31	D45254000		6	UNION	RACCORD	VERSCHRAUBUNG	RACOR
32	D28785621	25' - 7,60M	3	PIPE	TUYAU	TUBE	TUBO
33	D45130017	FREEFLOW	3	HYDR. HOSE	FLEXIBLE	HYDR. SCHLAUCH	TUBO HIDRAULICO
33	D45130029	POWER FLOW	3	HYDR. HOSE	FLEXIBLE	HYDR. SCHLAUCH	TUBO HIDRAULICO
34	D45263900		4	UNION	RACCORD	VERSCHRAUBUNG	RACOR
35	D45100067		1	CYLINDER	CYLINDRE	ZYLINDER	CILINDRO
38	D45232400		1	WASHER	RONDELLE	SCHEIBE	ARANDELA
39	D45278000		1	CONNECTOR	BORNE.	DOPPELNIPPEL	CONECTOR
40	D28785593		1	PIPE	TUYAU	TUBE	TUBO
41	D45272100		2	CONNECTOR	BORNE.	DOPPELNIPPEL	CONECTOR
42	D45140035		1	COUPLING	CRABOT	KUPPLUNG	ACOPLAMIENTO
42	D45149100		1	O RING	JOINT TORIQUE	O-RING	JUNTA TOROIDAL
43	D45140034		1	COUPLING	CRABOT	KUPPLUNG	ACOPLAMIENTO
44	D45272100		2	CONNECTOR	BORNE.	DOPPELNIPPEL	CONECTOR
45	D28785877		1	PIPE	TUYAU	TUBE	TUBO
45	D28785588		1	PIPE	TUYAU	TUBE	TUBO

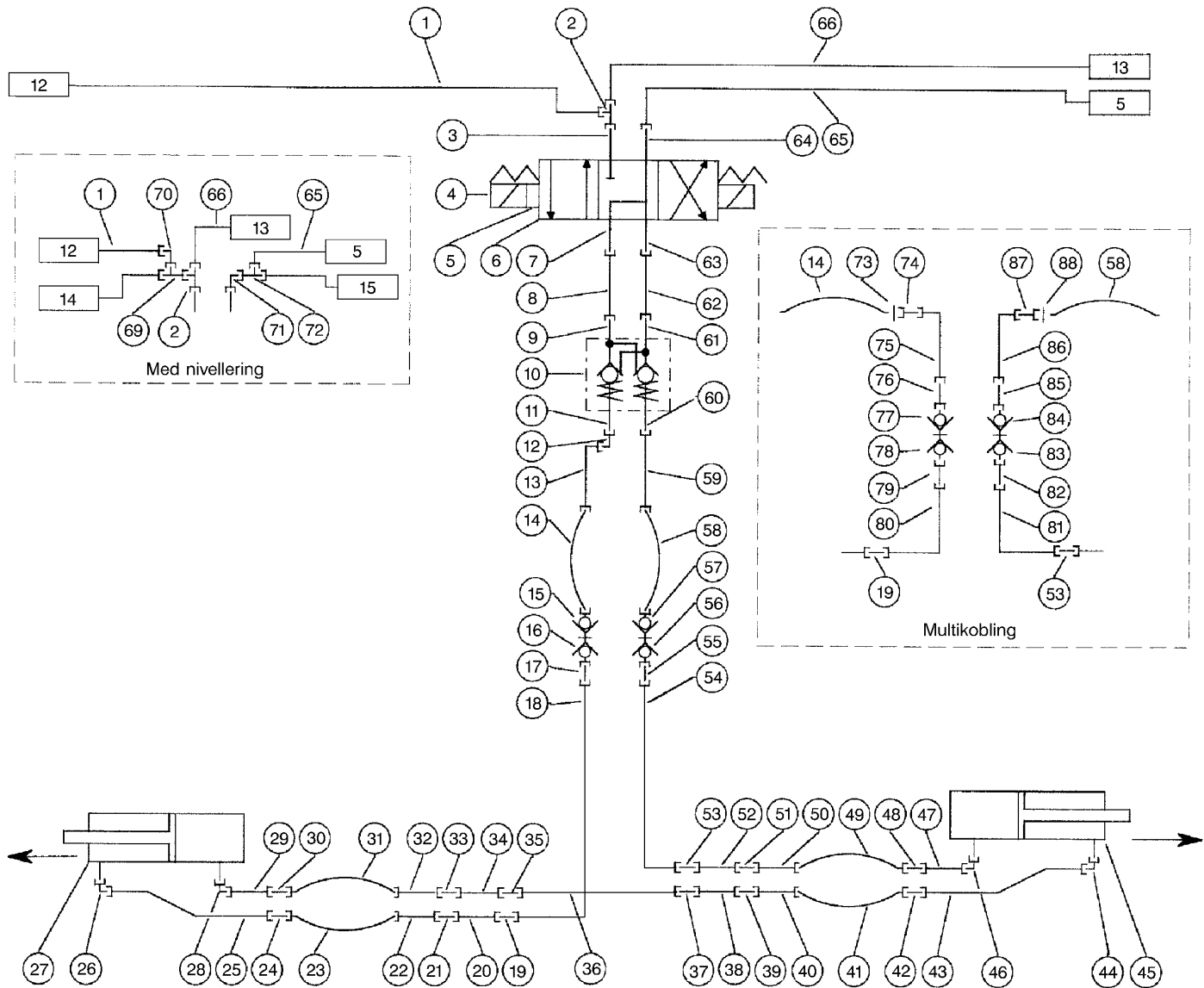


D-ADZC-001-A

1	D28780458	1	PIPE	TUYAU	TUBE	TUBO
2	D45266100	3	UNION	RACCORD	VERSCHRAUBUNG	RACOR
3	D45252600	8	UNION	RACCORD	VERSCHRAUBUNG	RACOR
4	D45110064	2	COIL	BOBINE	SPULE	BOBINA
4	D45252600	8	UNION	RACCORD	VERSCHRAUBUNG	RACOR
5	D45110096	1	DISTRIBUTOR	DISTRIBUTEUR	SAERAEDER	DISTRIBUIDOR
6	D45110095	1	PRESSURE VALVE	VALVE	DRUCKVENTIL	VALVULA PRESION
6	D45110015	1	GASKET	JOINT	FLACHDICHTUNG	JUNTA PLANA
7	D45252600	8	UNION	RACCORD	VERSCHRAUBUNG	RACOR
8	D28780988	2	PIPE,OIL	TUYAU HYDRAULI.	OELLEITUNG	MANGUITO ACEITE
9	D45252600	8	UNION	RACCORD	VERSCHRAUBUNG	RACOR
10	D45110098	1	PRESSURE VALVE	VALVE	DRUCKVENTIL	VALVULA PRESION
11	D45252600	8	UNION	RACCORD	VERSCHRAUBUNG	RACOR
12	D45263900	7	UNION	RACCORD	VERSCHRAUBUNG	RACOR
13	D28780991	1	PIPE,OIL	TUYAU HYDRAULI.	OELLEITUNG	MANGUITO ACEITE
14	D45130054	2	HYDR. HOSE	FLEXIBLE	HYDR. SCHLAUCH	TUBO HIDRAULICO
15	D45138800	2	UNION	RACCORD	VERSCHRAUBUNG	RACOR
15	D45110017	2	KIT, JOINT	JEU JOINTS	DICHTUNGSSATZ	JUEGO JUNTAS
16	D45138900	2	UNION	RACCORD	VERSCHRAUBUNG	RACOR
17	D45252800	2	UNION	RACCORD	VERSCHRAUBUNG	RACOR
18	D28785583	1	PIPE	TUYAU	TUBE	TUBO
19	D45254000	12	UNION	RACCORD	VERSCHRAUBUNG	RACOR
20	D28283438	4	PIPE,OIL	TUYAU HYDRAULI.	OELLEITUNG	MANGUITO ACEITE
20	D28283437	4	PIPE,OIL	TUYAU HYDRAULI.	OELLEITUNG	MANGUITO ACEITE
20	D28283436	4	PIPE,OIL	TUYAU HYDRAULI.	OELLEITUNG	MANGUITO ACEITE
20	D28283826	4	TUBE	TUBE	ROHR	TUBO.
20	D28785622	4	PIPE	TUYAU	TUBE	TUBO
21	D45254000	12	UNION	RACCORD	VERSCHRAUBUNG	RACOR
22	D28785621	4	PIPE	TUYAU	TUBE	TUBO
23	D45130017	4	HYDR. HOSE	FLEXIBLE	HYDR. SCHLAUCH	TUBO HIDRAULICO
24	D45254000	12	UNION	RACCORD	VERSCHRAUBUNG	RACOR
25	D28281208	2	PIPE,OIL	TUYAU HYDRAULI.	OELLEITUNG	MANGUITO ACEITE
25	D28283571	2	PIPE,OIL	TUYAU HYDRAULI.	OELLEITUNG	MANGUITO ACEITE
26	D45263900	7	UNION	RACCORD	VERSCHRAUBUNG	RACOR
27	D45100028	1	CYLINDER	CYLINDRE	ZYLINDER	CILINDRO
28	D45263900	7	UNION	RACCORD	VERSCHRAUBUNG	RACOR
29	D28281207	2	PIPE,OIL	TUYAU HYDRAULI.	OELLEITUNG	MANGUITO ACEITE
29	D28283572	2	PIPE,OIL	TUYAU HYDRAULI.	OELLEITUNG	MANGUITO ACEITE
30	D45254000	12	UNION	RACCORD	VERSCHRAUBUNG	RACOR
31	D45130017	4	HYDR. HOSE	FLEXIBLE	HYDR. SCHLAUCH	TUBO HIDRAULICO
32	D28785621	4	PIPE	TUYAU	TUBE	TUBO
33	D45254000	12	UNION	RACCORD	VERSCHRAUBUNG	RACOR
34	D28283438	4	PIPE,OIL	TUYAU HYDRAULI.	OELLEITUNG	MANGUITO ACEITE
34	D28283437	4	PIPE,OIL	TUYAU HYDRAULI.	OELLEITUNG	MANGUITO ACEITE
34	D28283436	4	PIPE,OIL	TUYAU HYDRAULI.	OELLEITUNG	MANGUITO ACEITE
34	D28283826	4	TUBE	TUBE	ROHR	TUBO.
34	D28785622	4	PIPE	TUYAU	TUBE	TUBO
35	D45254000	12	UNION	RACCORD	VERSCHRAUBUNG	RACOR
36	D28785586	1	PIPE	TUYAU	TUBE	TUBO
36*	D28286273	1	PIPE	TUYAU	TUBE	TUBO
36*	D28286274	1	PIPE	TUYAU	TUBE	TUBO
37	D45254000	12	UNION	RACCORD	VERSCHRAUBUNG	RACOR
38	D28283438	4	PIPE,OIL	TUYAU HYDRAULI.	OELLEITUNG	MANGUITO ACEITE
38	D28283437	4	PIPE,OIL	TUYAU HYDRAULI.	OELLEITUNG	MANGUITO ACEITE
38	D28283436	4	PIPE,OIL	TUYAU HYDRAULI.	OELLEITUNG	MANGUITO ACEITE
38	D28283826	4	TUBE	TUBE	ROHR	TUBO.
38	D28785622	4	PIPE	TUYAU	TUBE	TUBO
39	D45254000	12	UNION	RACCORD	VERSCHRAUBUNG	RACOR
40	D28785621	4	PIPE	TUYAU	TUBE	TUBO
41	D45130017	4	HYDR. HOSE	FLEXIBLE	HYDR. SCHLAUCH	TUBO HIDRAULICO
42	D45254000	12	UNION	RACCORD	VERSCHRAUBUNG	RACOR
43	D28281208	2	PIPE,OIL	TUYAU HYDRAULI.	OELLEITUNG	MANGUITO ACEITE
43	D28283571	2	PIPE,OIL	TUYAU HYDRAULI.	OELLEITUNG	MANGUITO ACEITE
44	D45263900	7	UNION	RACCORD	VERSCHRAUBUNG	RACOR
45	D45100027	1	CYLINDER	CYLINDRE	ZYLINDER	CILINDRO
46	D45263900	7	UNION	RACCORD	VERSCHRAUBUNG	RACOR
47	D28281207	2	PIPE,OIL	TUYAU HYDRAULI.	OELLEITUNG	MANGUITO ACEITE
47	D28283572	2	PIPE,OIL	TUYAU HYDRAULI.	OELLEITUNG	MANGUITO ACEITE
48	D45254000	12	UNION	RACCORD	VERSCHRAUBUNG	RACOR
49	D45130017	4	HYDR. HOSE	FLEXIBLE	HYDR. SCHLAUCH	TUBO HIDRAULICO
50	D28785621	4	PIPE	TUYAU	TUBE	TUBO
51	D45254000	12	UNION	RACCORD	VERSCHRAUBUNG	RACOR
52	D28283438	4	PIPE,OIL	TUYAU HYDRAULI.	OELLEITUNG	MANGUITO ACEITE
52	D28283437	4	PIPE,OIL	TUYAU HYDRAULI.	OELLEITUNG	MANGUITO ACEITE
52	D28283436	4	PIPE,OIL	TUYAU HYDRAULI.	OELLEITUNG	MANGUITO ACEITE
52	D28283826	4	TUBE	TUBE	ROHR	TUBO.
52	D28785622	4	PIPE	TUYAU	TUBE	TUBO
53	D45254000	12	UNION	RACCORD	VERSCHRAUBUNG	RACOR
54	D28785585	1	PIPE	TUYAU	TUBE	TUBO
54*	D28286271	1	PIPE	TUYAU	TUBE	TUBO
54*	D28286272	1	PIPE	TUYAU	TUBE	TUBO
55	D45252800	2	UNION	RACCORD	VERSCHRAUBUNG	RACOR
56	D45138800	2	UNION	RACCORD	VERSCHRAUBUNG	RACOR

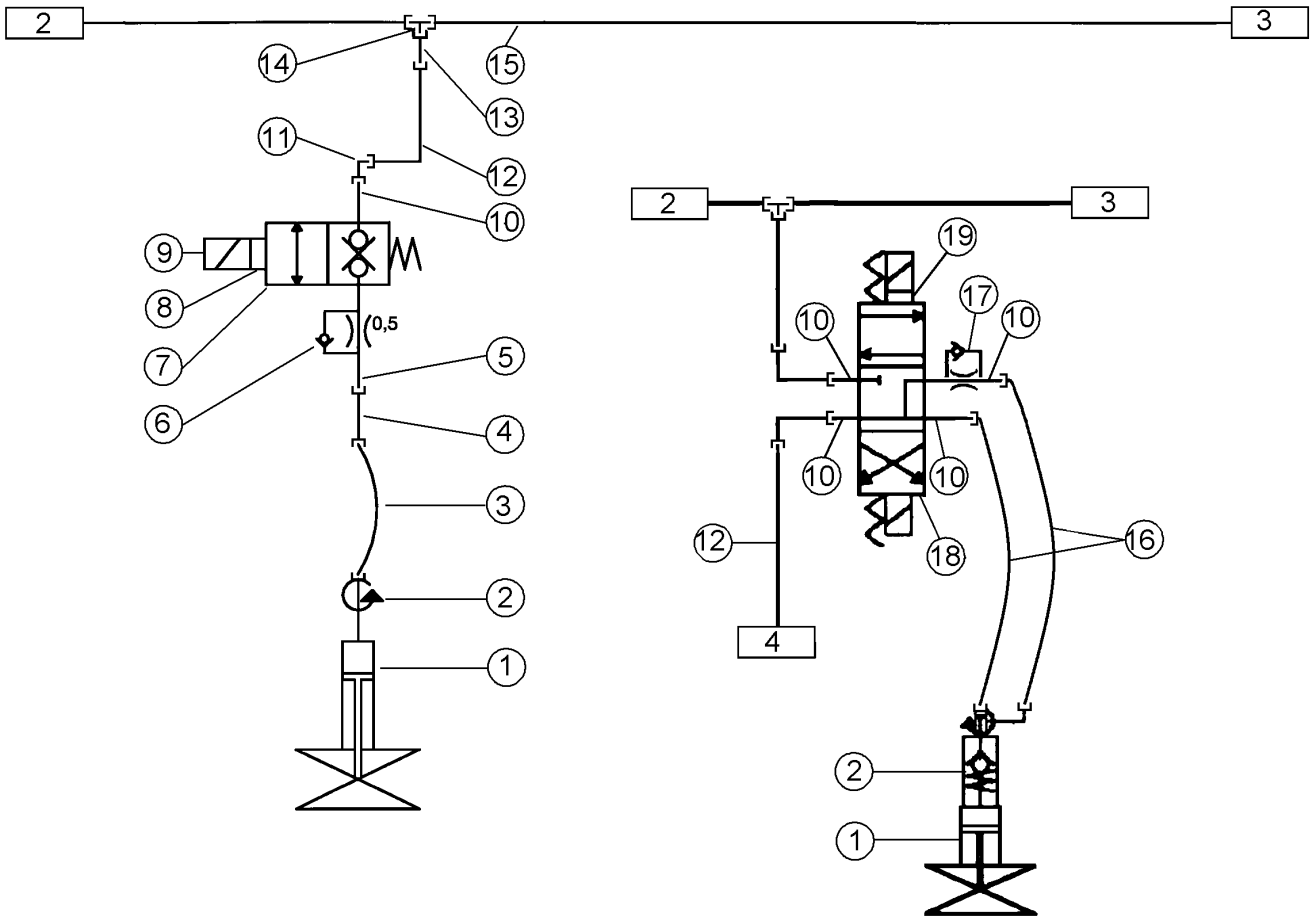
→ 942481
 → 942482
 → 942482

→ 942481
 → 942482
 → 942482



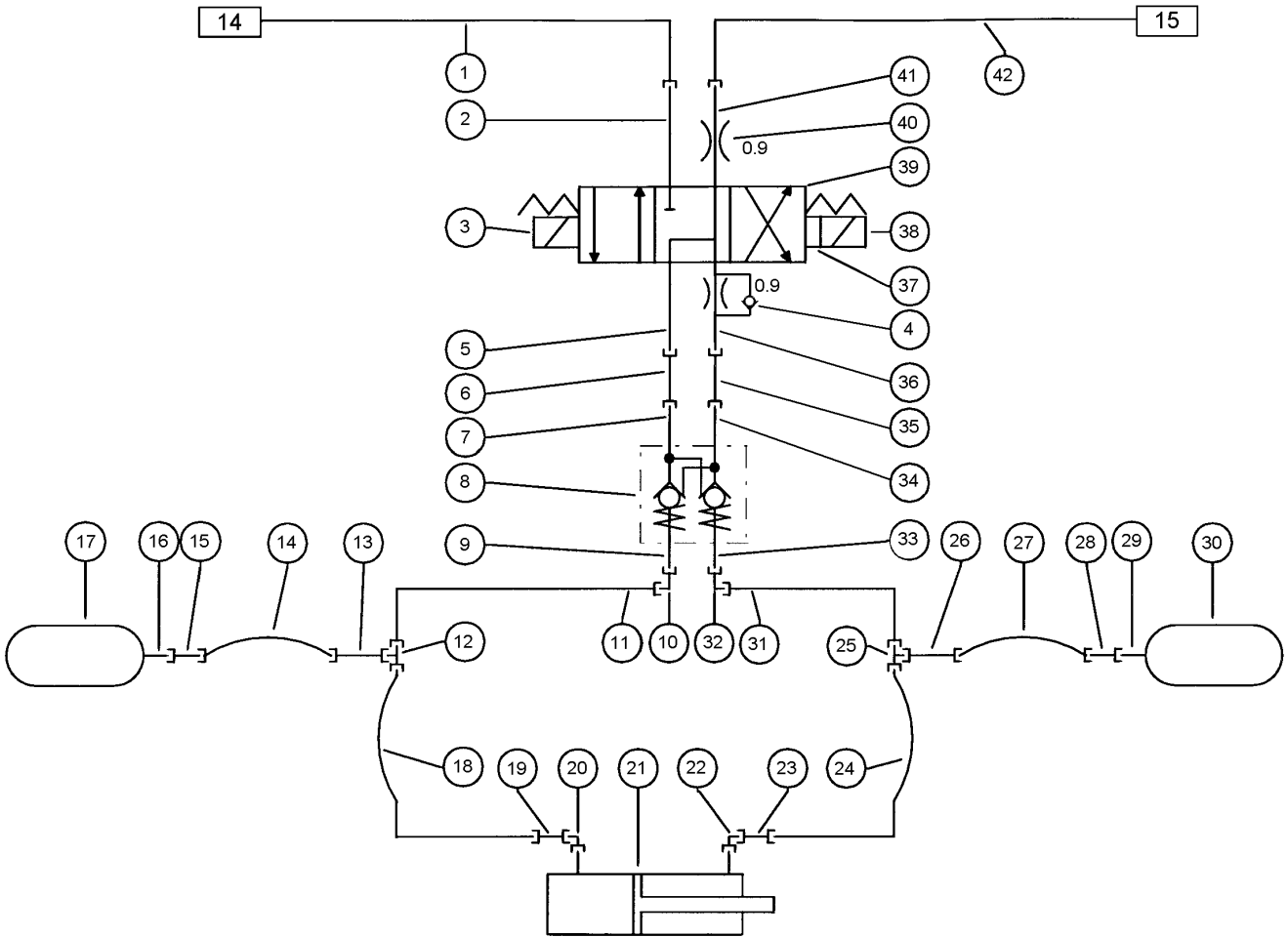
D-ADZC-001-A

56	D45110017	2	KIT, JOINT	JEU JOINTS	DICHTUNGSSATZ	JUEGO JUNTAS
57	D45138900	2	UNION	RACCORD	VERSCHRAUBUNG	RACOR
58	D45130054	2	HYDR. HOSE	FLEXIBLE	HYDR. SCHLAUCH	TUBO HIDRAULICO
59	D28185562	1	HYDRAULIC HOSE	DURITE HYDRAULIC	HYDRAUL.SCHLAUCH	TUBO HYDRAULICO
60	D45252600	8	UNION	RACCORD	VERSCHRAUBUNG	RACOR
61	D45252600	8	UNION	RACCORD	VERSCHRAUBUNG	RACOR
62	D28780988	2	PIPE,OIL	TUYAU HYDRAULI.	OELLEITUNG	MANGUITO ACEITE
63	D45252600	8	UNION	RACCORD	VERSCHRAUBUNG	RACOR
64	D45252600	1	UNION	RACCORD	VERSCHRAUBUNG	RACOR
65	D28185570	1	HYDRAULIC HOSE	DURITE HYDRAULIC	HYDRAUL.SCHLAUCH	TUBO HYDRAULICO
66	D28280653	1	PIPE,OIL	TUYAU HYDRAULI.	OELLEITUNG	MANGUITO ACEITE
69	D45266100	3	UNION	RACCORD	VERSCHRAUBUNG	RACOR
70	D45263900	7	UNION	RACCORD	VERSCHRAUBUNG	RACOR
71	D45263900	7	UNION	RACCORD	VERSCHRAUBUNG	RACOR
72	D45266100	3	UNION	RACCORD	VERSCHRAUBUNG	RACOR
73	D45232400	2	WASHER	RONDELLE	SCHEIBE	ARANDELA
74	D45278000	2	CONNECTOR	BORNE.	DOPPELNIPPEL	CONECTOR
75	D28785593	2	PIPE	TUYAU	TUBE	TUBO
76	D45272100	4	CONNECTOR	BORNE.	DOPPELNIPPEL	CONECTOR
77	D45140035	2	COUPLING	CRABOT	KUPPLUNG	ACOPLAMIENTO
77	D45149100	2	O RING	JOINT TORIQUE	O-RING	JUNTA TOROIDAL
78	D45140034	2	COUPLING	CRABOT	KUPPLUNG	ACOPLAMIENTO
79	D45272100	4	CONNECTOR	BORNE.	DOPPELNIPPEL	CONECTOR
80	D28785876	1	PIPE	TUYAU	TUBE	TUBO
81	D28785878	1	PIPE	TUYAU	TUBE	TUBO
82	D45272100	4	CONNECTOR	BORNE.	DOPPELNIPPEL	CONECTOR
83	D45140034	2	COUPLING	CRABOT	KUPPLUNG	ACOPLAMIENTO
84	D45140035	2	COUPLING	CRABOT	KUPPLUNG	ACOPLAMIENTO
84	D45149100	2	O RING	JOINT TORIQUE	O-RING	JUNTA TOROIDAL
85	D45272100	4	CONNECTOR	BORNE.	DOPPELNIPPEL	CONECTOR
86	D28785593	2	PIPE	TUYAU	TUBE	TUBO
87	D45278000	2	CONNECTOR	BORNE.	DOPPELNIPPEL	CONECTOR
88	D45232400	2	WASHER	RONDELLE	SCHEIBE	ARANDELA



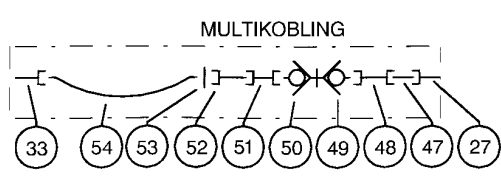
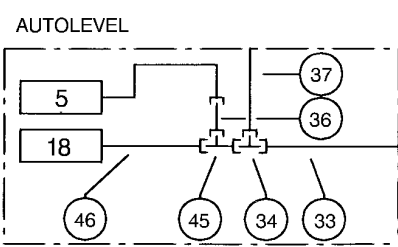
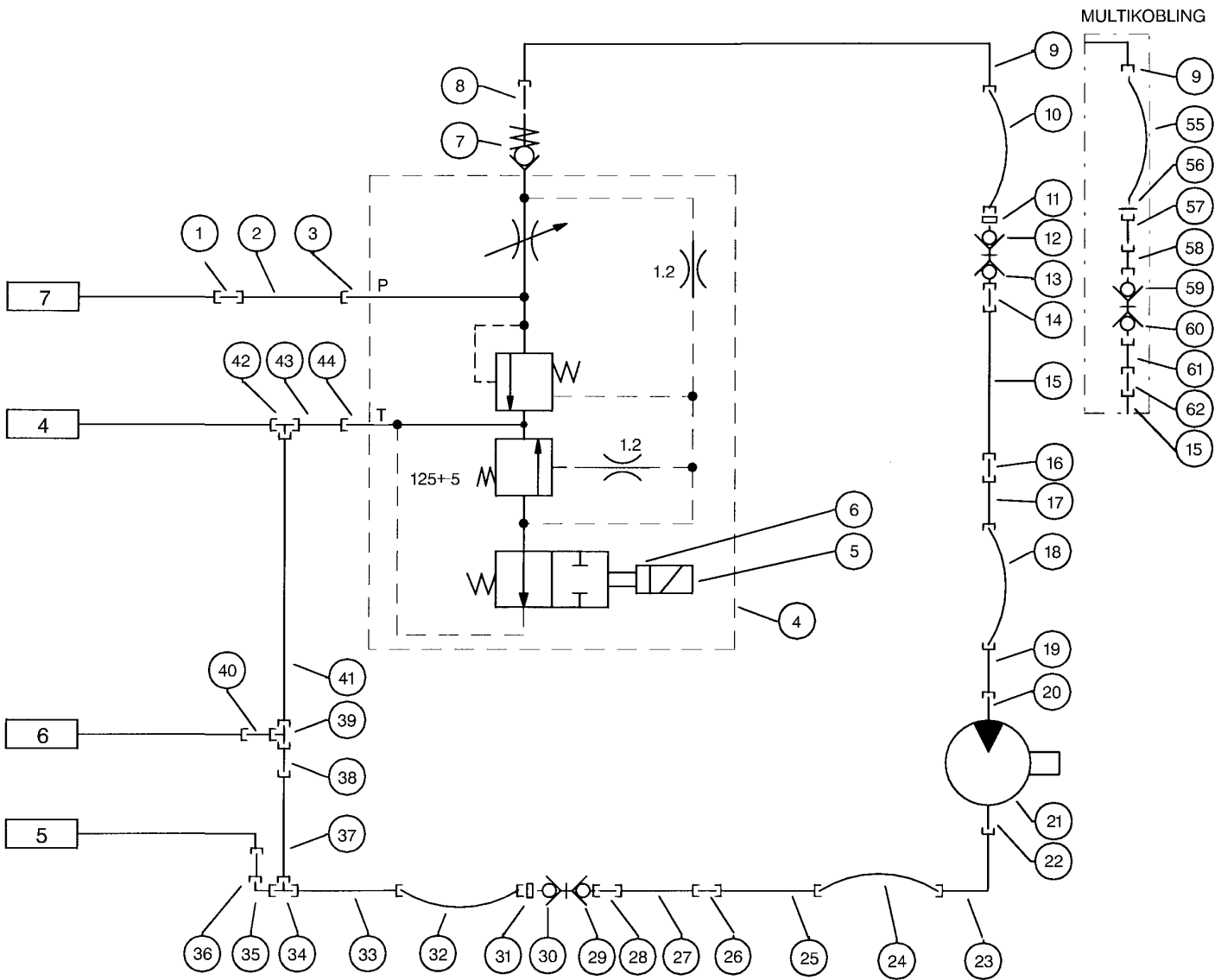
1	D28382095		1	VARIATOR	VARIATEUR	VARIATOR	VARIADOR
2	D28382051		1	COUPLING	CRABOT	KUPPLUNG	ACOPLAMIENTO
3	D45130034	➔ 58300	1	HYDRAULIC HOSE	DURITE HYDRAULIC	HYDRAUL.SCHLAUCH	TUBO HYDRAULICO
4	D28780423		1	PIPE,OIL	TUYAU HYDRAULI.	OELLEITUNG	MANGUITO ACEITE
5	D45252600		2	UNION	RACCORD	VERSCHRAUBUNG	RACOR
6	D28780700	➔ 58300	1	WASHER	RONDELLE	SCHEIBE	ARANDELA
7	D45110095		1	PRESSURE VALVE	VALVE	DRUCKVENTIL	VALVULA PRESION
8	D45110014	➔ 58300	1	KIT, JOINT	JEU JOINTS	DICHTUNGSSATZ	JUEGO JUNTAS
9	D45110065	➔ 58300	1	MANDREL	MANDRIN	DORN	MANDREL
10	D45110064	➔ 58300	1	COIL	BOBINE	SPULE	BOBINA
11	D45252600		2	UNION	RACCORD	VERSCHRAUBUNG	RACOR
12	D45263900		1	UNION	RACCORD	VERSCHRAUBUNG	RACOR
13	D28780960	➔ 58300	1	PIPE,OIL	TUYAU HYDRAULI.	OELLEITUNG	MANGUITO ACEITE
14	D45272100		1	CONNECTOR	BORNE.	DOPPELNIPPEL	CONECTOR
15	D45256200		1	UNION	RACCORD	VERSCHRAUBUNG	RACOR
16	D28780663		1	PIPE,OIL	TUYAU HYDRAULI.	OELLEITUNG	MANGUITO ACEITE
17	D45130078	➔ 58301	1	HYDRAULIC HOSE	DURITE HYDRAULIC	HYDRAUL.SCHLAUCH	TUBO HYDRAULICO
18	D28781308	➔ 58301	1	WASHER	RONDELLE	SCHEIBE	ARANDELA
19	D45110015	➔ 58301	1	GASKET	JOINT	FLACHDICHTUNG	JUNTA PLANA
20	D45110096	➔ 58301	1	DISTRIBUTOR	DISTRIBUTEUR	SAERAEDER	DISTRIBUIDOR
21	D45258000	[A]	1	UNION	RACCORD	VERSCHRAUBUNG	RACOR
22	D45266900	➔ 58301	1	CONNECTOR	BORNE.	DOPPELNIPPEL	CONECTOR
23	D28782553	[A]	1	TUBE	TUBE	ROHR	TUBO.
		➔ 58301					

[A] NOT ILLUSTRATED
 NON ILLUSTRE
 NICHT ILLUSTRIRT
 NO ILUSTRADO



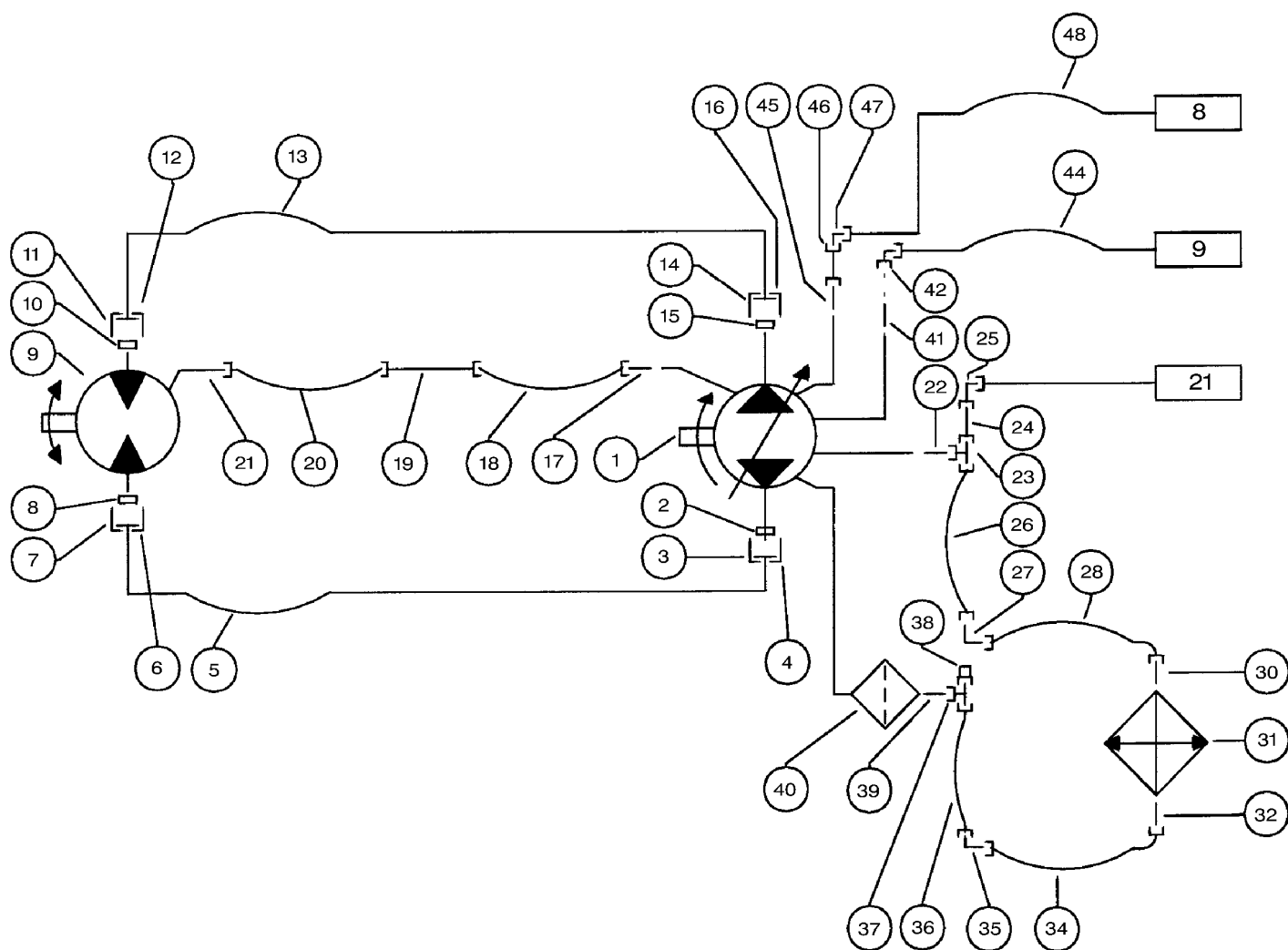
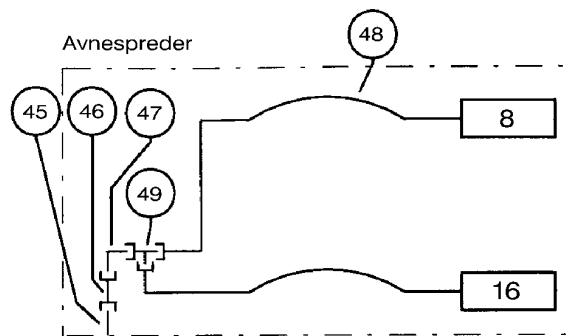
D-ADZE-001-B

1	D28781220	1	PIPE	TUYAU	TUBE	TUBO
2	D45252600	7	UNION	RACCORD	VERSCHRAUBUNG	RACOR
3	D45110064	2	COIL	BOBINE	SPULE	BOBINA
4	D28780488	1	WASHER	RONDELLE	SCHEIBE	ARANDELA
5	D45252600	7	UNION	RACCORD	VERSCHRAUBUNG	RACOR
6	D28780988	2	PIPE,OIL	TUYAU HYDRAULI.	OELLEITUNG	MANGUITO ACEITE
7	D45252600	7	UNION	RACCORD	VERSCHRAUBUNG	RACOR
8	D45110098	1	PRESSURE VALVE	VALVE	DRUCKVENTIL	VALVULA PRESION
9	D28181678	1	UNION	RACCORD	VERSCHRAUBUNG	RACOR
10	D45263900	4	UNION	RACCORD	VERSCHRAUBUNG	RACOR
11	D28185563	1	PIPE	TUYAU	TUBE	TUBO
12	D45266100	2	UNION	RACCORD	VERSCHRAUBUNG	RACOR
13	D28280653	4	PIPE,OIL	TUYAU HYDRAULI.	OELLEITUNG	MANGUITO ACEITE
14	D45123600	2	HYDR. HOSE	FLEXIBLE	HYDR. SCHLAUCH	TUBO HIDRAULICO
15	D45272300	2	CONNECTOR	BORNE.	DOPPELNIPPEL	CONECTOR
16	D45250500	2	UNION	RACCORD	VERSCHRAUBUNG	RACOR
17	D45148500	2	ACCUMULATOR	ACCUMULATEUR	AKKUMULATOR	ACUMULADOR
18	D45130024	2	HYDR. HOSE	FLEXIBLE	HYDR. SCHLAUCH	TUBO HIDRAULICO
19	D28280653	4	PIPE,OIL	TUYAU HYDRAULI.	OELLEITUNG	MANGUITO ACEITE
20	D45263900	4	UNION	RACCORD	VERSCHRAUBUNG	RACOR
21	D45100029	1	RAM	VERIN	HYDR.ZYLINDER	ARIETE
22	D45263900	4	UNION	RACCORD	VERSCHRAUBUNG	RACOR
23	D28280653	4	PIPE,OIL	TUYAU HYDRAULI.	OELLEITUNG	MANGUITO ACEITE
24	D45130024	2	HYDR. HOSE	FLEXIBLE	HYDR. SCHLAUCH	TUBO HIDRAULICO
25	D45266100	2	UNION	RACCORD	VERSCHRAUBUNG	RACOR
26	D28280653	4	PIPE,OIL	TUYAU HYDRAULI.	OELLEITUNG	MANGUITO ACEITE
27	D45123600	2	HYDR. HOSE	FLEXIBLE	HYDR. SCHLAUCH	TUBO HIDRAULICO
28	D45272300	2	CONNECTOR	BORNE.	DOPPELNIPPEL	CONECTOR
29	D45250500	2	UNION	RACCORD	VERSCHRAUBUNG	RACOR
30	D45148500	2	ACCUMULATOR	ACCUMULATEUR	AKKUMULATOR	ACUMULADOR
31	D28185565	1	PIPE	TUYAU	TUBE	TUBO
32	D45263900	4	UNION	RACCORD	VERSCHRAUBUNG	RACOR
33	D45252600	7	UNION	RACCORD	VERSCHRAUBUNG	RACOR
34	D45252600	7	UNION	RACCORD	VERSCHRAUBUNG	RACOR
35	D28780988	2	PIPE,OIL	TUYAU HYDRAULI.	OELLEITUNG	MANGUITO ACEITE
36	D45252600	7	UNION	RACCORD	VERSCHRAUBUNG	RACOR
37	D45110096	1	DISTRIBUTOR	DISTRIBUTEUR	SAERAEDER	DISTRIBUIDOR
38	D45110064	2	COIL	BOBINE	SPULE	BOBINA
39	D45110095	1	PRESSURE VALVE	VALVE	DRUCKVENTIL	VALVULA PRESION
39	D45110015	1	GASKET	JOINT	FLACHDICHTUNG	JUNTA PLANA
40	D28780720	1	WASHER	RONDELLE	SCHEIBE	ARANDELA
41	D45252600	7	UNION	RACCORD	VERSCHRAUBUNG	RACOR
42	D28781219	1	PIPE	TUYAU	TUBE	TUBO



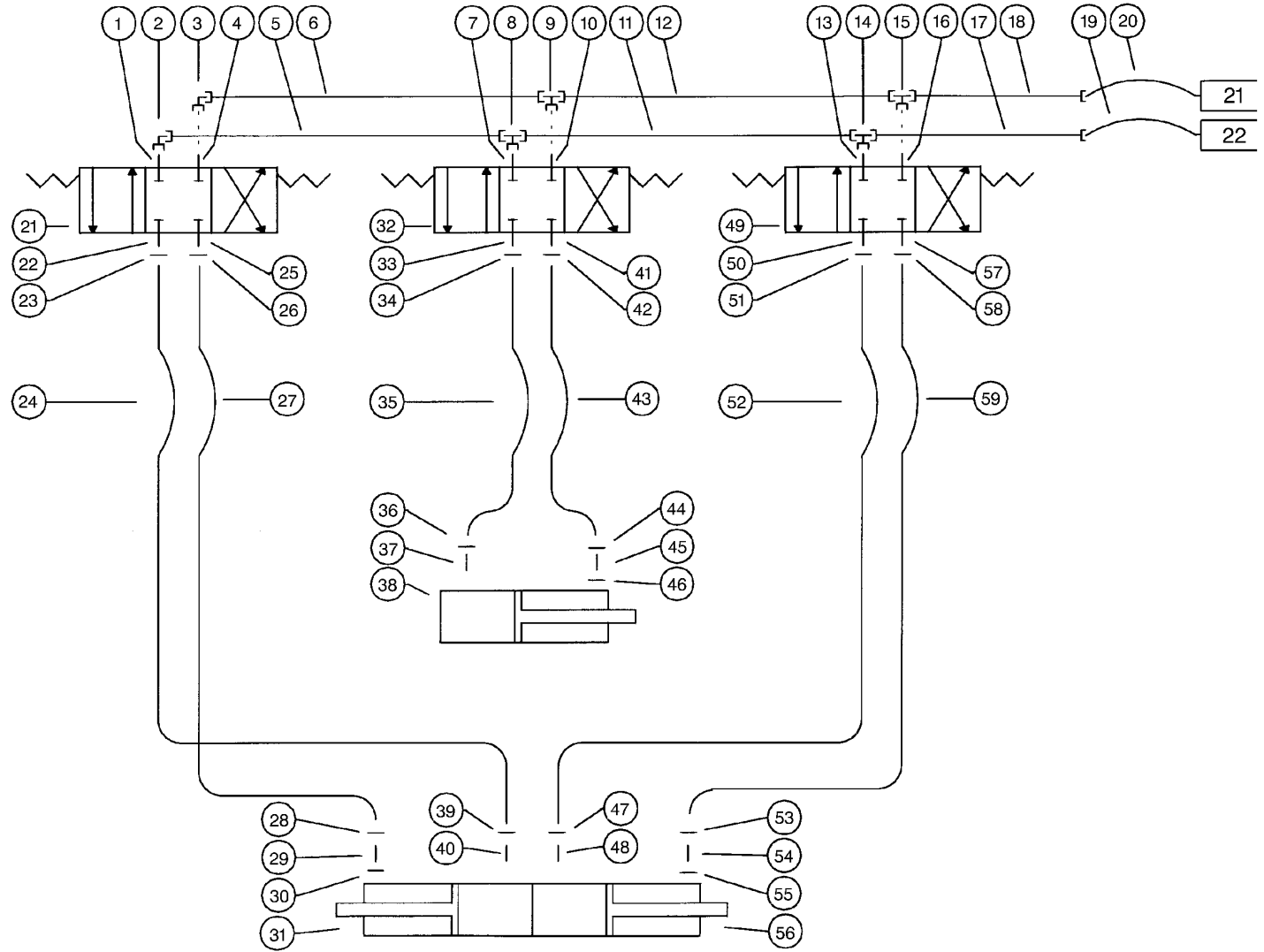
1	D45254100		1 UNION	RACCORD	VERSCHRAUBUNG	RACOR
2	D28785361		1 PIPE	TUYAU	TUBE	TUBO
3	D45253400		1 UNION	RACCORD	VERSCHRAUBUNG	RACOR
4	D45110069		1 PRESSURE VALVE	VALVE	DRUCKVENTIL	VALVULA PRESION
4	D45110011		1 KIT, SEAL	JEU ETANCHEITE	DICHRINGSATZ	RETENES JUEGO
5	D45110043	BLACK	1 SOLENOID	SOLENOIDE	MAGNETSPULE	SOLENOIDE
5	D45120077		1 SOLENOID	SOLENOIDE	MAGNETSPULE	SOLENOIDE
6	D45110060	[A] BLACK BLUE	1 PRESSURE VALVE	VALVE	DRUCKVENTIL	VALVULA PRESION
6	D45120076		1 ELECTROVALVE	ELECTROVANNE	ELECTRON.VENTIL	ELECTROVALVULA
7	D28251484		1 NON RETURN VALVE	CLAPET	RUECKSCHLAGVENT.	VALV.SIN RETORNO
8	D45250700		5 UNION	RACCORD	VERSCHRAUBUNG	RACOR
9	D28780995		2 PIPE,OIL	TUYAU HYDRAULI.	OELLEITUNG	MANGUITO ACEITE
9	D28780993		1 PIPE,OIL	TUYAU HYDRAULI.	OELLEITUNG	MANGUITO ACEITE
10	D45130019		2 HYDR. HOSE	FLEXIBLE	HYDR. SCHLAUCH	TUBO HIDRAULICO
11	D45462200		2 O RING	JOINT TORIQUE	O-RING	JUNTA TOROIDAL
12	D45135400		2 UNION	RACCORD	VERSCHRAUBUNG	RACOR
13	D45135300		2 UNION	RACCORD	VERSCHRAUBUNG	RACOR
14	D45250700		5 UNION	RACCORD	VERSCHRAUBUNG	RACOR
15	D28785584		4 PIPE	TUYAU	TUBE	TUBO
15*	D28286269	➡ 61490	1 PIPE	TUYAU	TUBE	TUBO
15*	D28286270	➡ 61490	1 PIPE	TUYAU	TUBE	TUBO
16	D45254900		4 UNION	RACCORD	VERSCHRAUBUNG	RACOR
17	D28785895	12' - 3,72M	2 PIPE	TUYAU	TUBE	TUBO
17	D28785896	14' - 4,34M	2 PIPE	TUYAU	TUBE	TUBO
17	D28785897	16' - 4,95M	2 PIPE	TUYAU	TUBE	TUBO
17	D28785898	18' - 5,56M	2 PIPE	TUYAU	TUBE	TUBO
17	D28785899	20' - 6,16M	2 PIPE	TUYAU	TUBE	TUBO
17	D28785900	22' - 6,77M	2 PIPE	TUYAU	TUBE	TUBO
17	D28785599	25' - 7,60M	2 PIPE	TUYAU	TUBE	TUBO
18	D45130013	FREEFLOW	2 HYDR. HOSE	FLEXIBLE	HYDR. SCHLAUCH	TUBO HIDRAULICO
18	D45130015	POWERFLOW	2 HYDR. HOSE	FLEXIBLE	HYDR. SCHLAUCH	TUBO HIDRAULICO
19	D28280676		1 PIPE,OIL	TUYAU HYDRAULI.	OELLEITUNG	MANGUITO ACEITE
20	D45250700		5 UNION	RACCORD	VERSCHRAUBUNG	RACOR
21	D45120700		1 HYDRAULIC MOTOR	MOTEUR HYDRAULIC	HYDRAULIK MOTOR	MOTOR HIDRAULICO
22	D45250700		5 UNION	RACCORD	VERSCHRAUBUNG	RACOR
23	D28280677		1 PIPE,OIL	TUYAU HYDRAULI.	OELLEITUNG	MANGUITO ACEITE
24	D45130013	FREEFLOW	2 HYDR. HOSE	FLEXIBLE	HYDR. SCHLAUCH	TUBO HIDRAULICO
25	D28785895	12' - 3,72M	2 PIPE	TUYAU	TUBE	TUBO
25	D28785896	14' - 4,34M	2 PIPE	TUYAU	TUBE	TUBO
25	D28785897	16' - 4,95M	2 PIPE	TUYAU	TUBE	TUBO
25	D28785898	18' - 5,56M	2 PIPE	TUYAU	TUBE	TUBO
25	D28785899	20' - 6,16M	2 PIPE	TUYAU	TUBE	TUBO
25	D28785900	22' - 6,77M	2 PIPE	TUYAU	TUBE	TUBO
25	D28785599	25' - 7,60M	2 PIPE	TUYAU	TUBE	TUBO
26	D45254900		4 UNION	RACCORD	VERSCHRAUBUNG	RACOR
27	D28785584		4 PIPE	TUYAU	TUBE	TUBO
27*	D28286269	➡ 61490	1 PIPE	TUYAU	TUBE	TUBO
27*	D28286270	➡ 61490	1 PIPE	TUYAU	TUBE	TUBO
28	D28785584		4 PIPE	TUYAU	TUBE	TUBO
28*	D28286269	➡ 61490	1 PIPE	TUYAU	TUBE	TUBO
28*	D28286270	➡ 61490	1 PIPE	TUYAU	TUBE	TUBO
29	D45250700		5 UNION	RACCORD	VERSCHRAUBUNG	RACOR
30	D45135400		2 UNION	RACCORD	VERSCHRAUBUNG	RACOR
31	D45135300		2 UNION	RACCORD	VERSCHRAUBUNG	RACOR
32	D45462200		2 O RING	JOINT TORIQUE	O-RING	JUNTA TOROIDAL
33	D28780995		2 PIPE,OIL	TUYAU HYDRAULI.	OELLEITUNG	MANGUITO ACEITE
34	D45256200		1 UNION	RACCORD	VERSCHRAUBUNG	RACOR
35	D45264100		1 UNION	RACCORD	VERSCHRAUBUNG	RACOR
36	D45272100		1 CONNECTOR	BORNE.	DOPELNIPPEL	CONECTOR
37	D28780994		1 PIPE,OIL	TUYAU HYDRAULI.	OELLEITUNG	MANGUITO ACEITE
38	D45272800		1 UNION	RACCORD	VERSCHRAUBUNG	RACOR
39	D45256400		2 UNION	RACCORD	VERSCHRAUBUNG	RACOR
40	D45272600		1 UNION	RACCORD	VERSCHRAUBUNG	RACOR
41	D28780668		1 PIPE,OIL	TUYAU HYDRAULI.	OELLEITUNG	MANGUITO ACEITE
42	D45256400		2 UNION	RACCORD	VERSCHRAUBUNG	RACOR
43	D28780669		1 PIPE,OIL	TUYAU HYDRAULI.	OELLEITUNG	MANGUITO ACEITE
43*	D28752392	➡ 61490	1 PIPE,OIL	TUYAU HYDRAULI.	OELLEITUNG	MANGUITO ACEITE
44	D45251500		1 UNION	RACCORD	VERSCHRAUBUNG	RACOR
45	D45266200		1 UNION	RACCORD	VERSCHRAUBUNG	RACOR
46	D28780402		1 HYDR.HOSE ASSY.	TUYAUTERIE HYDR.	HYDRSCHLAUCH KPL	CJTO.MANG.HIDR.
47	D45254900		4 UNION	RACCORD	VERSCHRAUBUNG	RACOR
48	D28785584		4 PIPE	TUYAU	TUBE	TUBO
48*	D28286269	➡ 61490	1 PIPE	TUYAU	TUBE	TUBO
48*	D28286270	➡ 61490	1 PIPE	TUYAU	TUBE	TUBO
49	D45140034		2 COUPLING	CRABOT	KUPPLUNG	ACOPLAMIENTO
50	D45140035		2 COUPLING	CRABOT	KUPPLUNG	ACOPLAMIENTO
50	D45149100		2 O RING	JOINT TORIQUE	O-RING	JUNTA TOROIDAL
51	D28785594		2 PIPE	TUYAU	TUBE	TUBO
52	D45278100		2 CONNECTOR	BORNE.	DOPELNIPPEL	CONECTOR
53	D45201800		2 RING	ANNEAU	RING.	ANILLO
54	D45130053		2 HYDR. HOSE	FLEXIBLE	HYDR. SCHLAUCH	TUBO HIDRAULICO

55	D45130053		2	HYDR. HOSE	FLEXIBLE	HYDR. SCHLAUCH	TUBO HIDRAULICO
56	D45201800		2	RING	ANNEAU	RING.	ANILLO
57	D45278100		2	CONNECTOR	BORNE.	DOPPELNIPPEL	CONECTOR
58	D28785594		2	PIPE	TUYAU	TUBE	TUBO
59	D45140035		2	COUPLING	CRABOT	KUPPLUNG	ACOPLAMIENTO
59	D45149100		2	O RING	JOINT TORIQUE	O-RING	JUNTA TOROIDAL
60	D45140034		2	COUPLING	CRABOT	KUPPLUNG	ACOPLAMIENTO
61	D28785584		4	PIPE	TUYAU	TUBE	TUBO
61*	D28286269	➡ 61490	1	PIPE	TUYAU	TUBE	TUBO
61*	D28286270	➡ 61490	1	PIPE	TUYAU	TUBE	TUBO
62	D45254900		4	UNION	RACCORD	VERSCHRAUBUNG	RACOR
[A]	ORDER + D45120076 + D45120077						
	COMMANDER + D45120076 + D45120077						
	BESTELLEN + D45120076 + D45120077						
	PEDIR + D45120076 + D45120077						

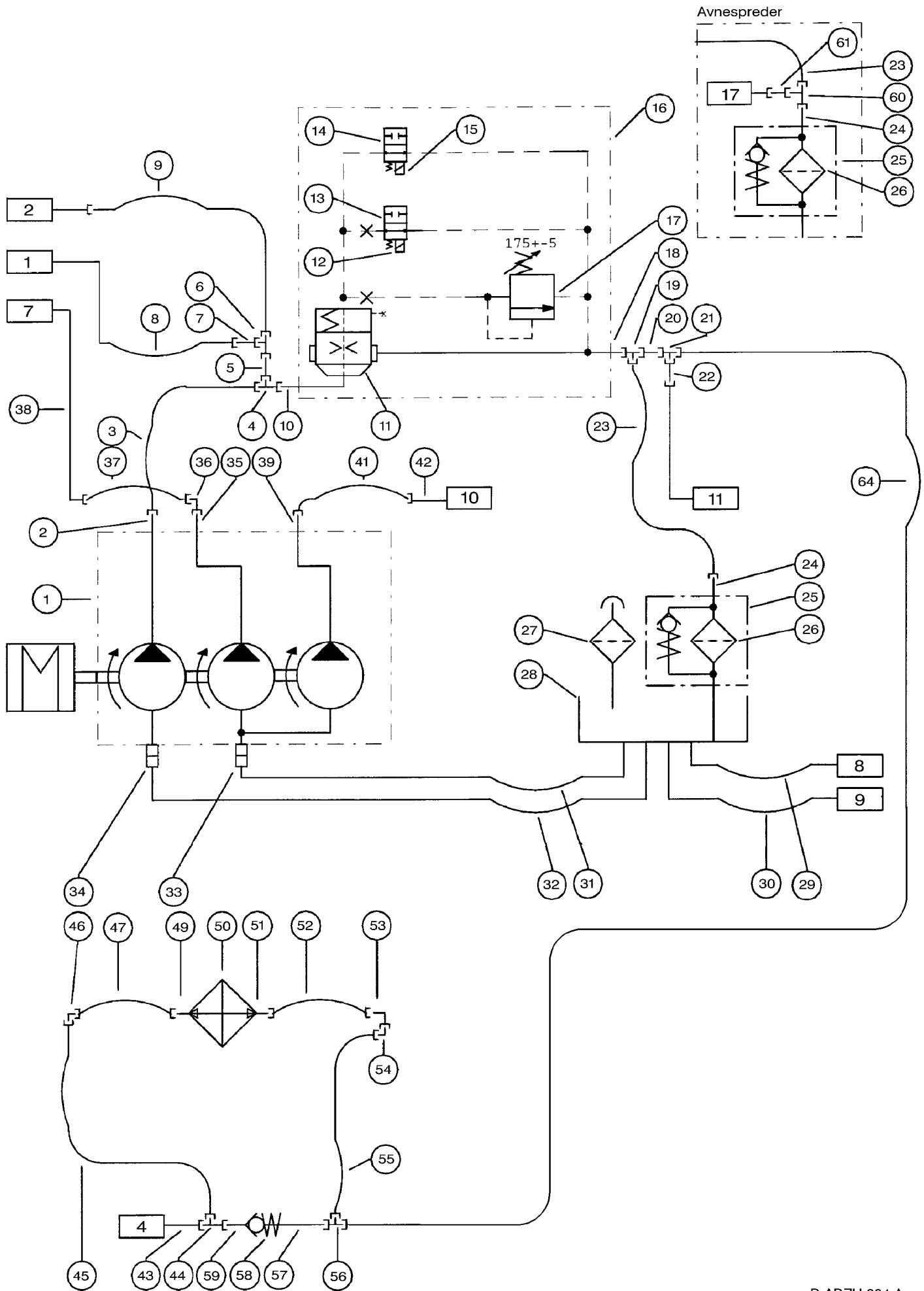


D-ADZG-004-A

1 D45168800	1 HYDRAULIC PUMP	POMPEHYDRAULIQUE	HYDROPUMPE	BOMBA HIDRAULICA
2 D45482700	4 O RING	JOINT TORIQUE	O-RING	JUNTA TOROIDAL
3 D45160800	8 FLANGE	FLASQUE	FLANSCH	PLETINA
4 D45160800	8 FLANGE	FLASQUE	FLANSCH	PLETINA
5 D45130071	1 HIGH PRESS HOSE	FLEXIBLE HP	HD-SCHLAUCH	TUBO ALTA PRESIO
6 D45160800	8 FLANGE	FLASQUE	FLANSCH	PLETINA
7 D45160800	8 FLANGE	FLASQUE	FLANSCH	PLETINA
8 D45463900	4 O RING	JOINT TORIQUE	O-RING	JUNTA TOROIDAL
9 D45165100	1 HYDRAULIC MOTOR	MOTEUR HYDRAULIC	HYDRAULIK MOTOR	MOTOR HIDRAULICO
10 D45463900	4 O RING	JOINT TORIQUE	O-RING	JUNTA TOROIDAL
11 D45160800	8 FLANGE	FLASQUE	FLANSCH	PLETINA
12 D45160800	8 FLANGE	FLASQUE	FLANSCH	PLETINA
13 D45130067	1 HOSE	DURITE	SCHLAUCH	TUBO DE GOMA
14 D45160800	8 FLANGE	FLASQUE	FLANSCH	PLETINA
15 D45482700	4 O RING	JOINT TORIQUE	O-RING	JUNTA TOROIDAL
16 D45160800	8 FLANGE	FLASQUE	FLANSCH	PLETINA
17 D45251100	6 UNION	RACCORD	VERSCHRAUBUNG	RACOR
18*D45130075	1 HYDRAULIC HOSE	DURITE HYDRAULIC	HYDRAUL.SCHLAUCH	TUBO HYDRAULICO
19*D28783559	1 PIPE,OIL	TUYAU HYDRAULI.	OELLEITUNG	MANGUITO ACEITE
20*D45130075	1 HYDRAULIC HOSE	DURITE HYDRAULIC	HYDRAUL.SCHLAUCH	TUBO HYDRAULICO
21 D45251100	6 UNION	RACCORD	VERSCHRAUBUNG	RACOR
22 D45251100	6 UNION	RACCORD	VERSCHRAUBUNG	RACOR
23 D45267200	2 UNION	RACCORD	VERSCHRAUBUNG	RACOR
24 D45272400	1 CONNECTOR	BORNE.	DOPPELNIPPEL	CONECTOR
25 D45263900	1 UNION	RACCORD	VERSCHRAUBUNG	RACOR
26 D45130022	2 HYDR. HOSE	FLEXIBLE	HYDR. SCHLAUCH	TUBO HIDRAULICO
27 D45269900	2 CONNECTOR	BORNE.	DOPPELNIPPEL	CONECTOR
28 D45130049	1 HYDR. HOSE	FLEXIBLE	HYDR. SCHLAUCH	TUBO HIDRAULICO
30 D45251500	2 UNION	RACCORD	VERSCHRAUBUNG	RACOR
31 D28785651	1 OIL COOLER	REFROIDISS HUILE	OELKUEHLER	REFRIG DE ACEIT
32 D45251500	2 UNION	RACCORD	VERSCHRAUBUNG	RACOR
34 D45130039	1 HYDRAULIC HOSE	DURITE HYDRAULIC	HYDRAUL.SCHLAUCH	TUBO HYDRAULICO
35 D45269900	2 CONNECTOR	BORNE.	DOPPELNIPPEL	CONECTOR
36 D45130022	2 HYDR. HOSE	FLEXIBLE	HYDR. SCHLAUCH	TUBO HIDRAULICO
37 D45267200	2 UNION	RACCORD	VERSCHRAUBUNG	RACOR
38 D45219900	1 PLUG	BOUCHON	STOPFEN	TAPON
38 D45204800	1 UNION NUT	ECROU RACCORD	ANSCHLUSSMUTTER	TUERCA UNION
38 D42501600	1 CIRCLIP	CIRCLIP	SEEGERING	GRAPA CIRCULAR
39 D45251100	6 UNION	RACCORD	VERSCHRAUBUNG	RACOR
40 D45161300	1 OIL FILTER	FILTRE HUILE	OELFILTER	FILTRO DE ACEITE
41 D45251100	6 UNION	RACCORD	VERSCHRAUBUNG	RACOR
42 D45264200	2 UNION	RACCORD	VERSCHRAUBUNG	RACOR
44 D45130050	2 HOSE	DURITE	SCHLAUCH	TUBO DE GOMA
45 D45251100	1 UNION	RACCORD	VERSCHRAUBUNG	RACOR
46 D28786717	2 PIPE	TUYAU	TUBE	TUBO
47 D45258700	1 CONNECTOR	BORNE.	DOPPELNIPPEL	CONECTOR
48 D45130050	2 HOSE	DURITE	SCHLAUCH	TUBO DE GOMA
49 D45266500	1 FORK	FOURCHETTE	GABEL	HORQUILLA

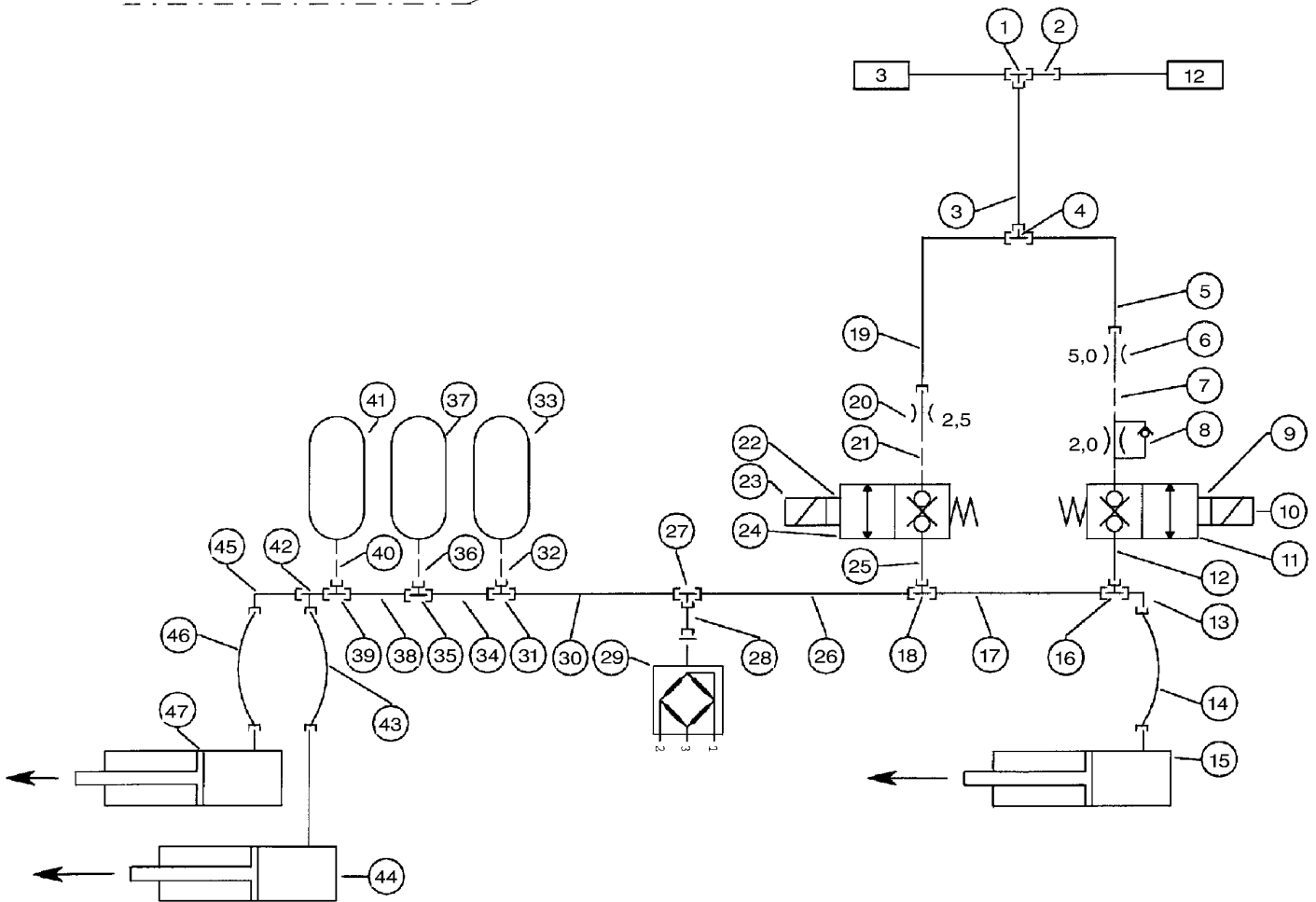
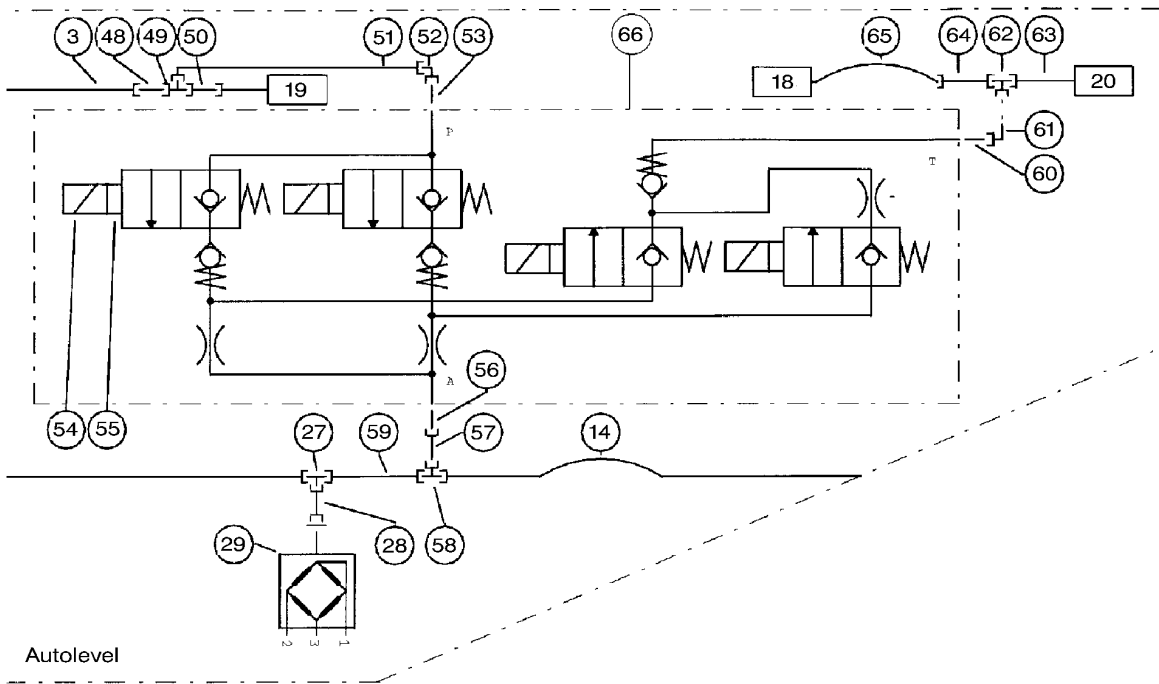


1	D45252600	12	UNION	RACCORD	VERSCHRAUBUNG	RACOR
2	D45263900	2	UNION	RACCORD	VERSCHRAUBUNG	RACOR
3	D45263900	2	UNION	RACCORD	VERSCHRAUBUNG	RACOR
4	D45252600	12	UNION	RACCORD	VERSCHRAUBUNG	RACOR
5	D28280653	6	PIPE,OIL	TUYAU HYDRAULI.	OELLEITUNG	MANGUITO ACEITE
6	D28280653	6	PIPE,OIL	TUYAU HYDRAULI.	OELLEITUNG	MANGUITO ACEITE
7	D45252600	12	UNION	RACCORD	VERSCHRAUBUNG	RACOR
8	D45266900	4	CONNECTOR	BORNE.	DOPPELNIPPEL	CONECTOR
9	D45266900	4	CONNECTOR	BORNE.	DOPPELNIPPEL	CONECTOR
10	D45252600	12	UNION	RACCORD	VERSCHRAUBUNG	RACOR
11	D28280653	6	PIPE,OIL	TUYAU HYDRAULI.	OELLEITUNG	MANGUITO ACEITE
12	D28280653	6	PIPE,OIL	TUYAU HYDRAULI.	OELLEITUNG	MANGUITO ACEITE
13	D45252600	12	UNION	RACCORD	VERSCHRAUBUNG	RACOR
14	D45266900	4	CONNECTOR	BORNE.	DOPPELNIPPEL	CONECTOR
15	D45266900	4	CONNECTOR	BORNE.	DOPPELNIPPEL	CONECTOR
16	D45252600	12	UNION	RACCORD	VERSCHRAUBUNG	RACOR
17	D28280653	6	PIPE,OIL	TUYAU HYDRAULI.	OELLEITUNG	MANGUITO ACEITE
18	D28280653	6	PIPE,OIL	TUYAU HYDRAULI.	OELLEITUNG	MANGUITO ACEITE
19	D45148100	8	HOSE	DURITE	SCHLAUCH	TUBO DE GOMA
20	D45148100	8	HOSE	DURITE	SCHLAUCH	TUBO DE GOMA
21	D45110055	3	PRESSURE VALVE	VALVE	DRUCKVENTIL	VALVULA PRESION
22	D45252600	12	UNION	RACCORD	VERSCHRAUBUNG	RACOR
23	D45148400	12	TUBE	TUBE	ROHR	TUBO.
24	D45148100	8	HOSE	DURITE	SCHLAUCH	TUBO DE GOMA
25	D45252600	12	UNION	RACCORD	VERSCHRAUBUNG	RACOR
26	D45148400	12	TUBE	TUBE	ROHR	TUBO.
27	D45148100	8	HOSE	DURITE	SCHLAUCH	TUBO DE GOMA
28	D45148400	12	TUBE	TUBE	ROHR	TUBO.
29	D45148600	6	CLUTCH	EMBRAYAGE	SCHALKUPPLUNG	EMBRAGUE
30	D45714200	3	GASKET	JOINT	FLACHDICHTUNG	JUNTA PLANA
31	D45140003	2	CYLINDER	CYLINDRE	ZYLINDER	CILINDRO
32	D45110055	3	PRESSURE VALVE	VALVE	DRUCKVENTIL	VALVULA PRESION
33	D45252600	12	UNION	RACCORD	VERSCHRAUBUNG	RACOR
34	D45148400	12	TUBE	TUBE	ROHR	TUBO.
35	D45148100	8	HOSE	DURITE	SCHLAUCH	TUBO DE GOMA
36	D45148400	12	TUBE	TUBE	ROHR	TUBO.
37	D45148600	6	CLUTCH	EMBRAYAGE	SCHALKUPPLUNG	EMBRAGUE
38	D45140004	1	CYLINDER	CYLINDRE	ZYLINDER	CILINDRO
39	D45148400	12	TUBE	TUBE	ROHR	TUBO.
40	D45148600	6	CLUTCH	EMBRAYAGE	SCHALKUPPLUNG	EMBRAGUE
41	D45252600	12	UNION	RACCORD	VERSCHRAUBUNG	RACOR
42	D45148400	12	TUBE	TUBE	ROHR	TUBO.
43	D45148100	8	HOSE	DURITE	SCHLAUCH	TUBO DE GOMA
44	D45148400	12	TUBE	TUBE	ROHR	TUBO.
45	D45148600	6	CLUTCH	EMBRAYAGE	SCHALKUPPLUNG	EMBRAGUE
46	D45714200	3	GASKET	JOINT	FLACHDICHTUNG	JUNTA PLANA
47	D45148400	12	TUBE	TUBE	ROHR	TUBO.
48	D45148600	6	CLUTCH	EMBRAYAGE	SCHALKUPPLUNG	EMBRAGUE
49	D45110055	3	PRESSURE VALVE	VALVE	DRUCKVENTIL	VALVULA PRESION
50	D45252600	12	UNION	RACCORD	VERSCHRAUBUNG	RACOR
51	D45148400	12	TUBE	TUBE	ROHR	TUBO.
52	D45148100	8	HOSE	DURITE	SCHLAUCH	TUBO DE GOMA
53	D45148400	12	TUBE	TUBE	ROHR	TUBO.
54	D45148600	6	CLUTCH	EMBRAYAGE	SCHALKUPPLUNG	EMBRAGUE
55	D45714200	3	GASKET	JOINT	FLACHDICHTUNG	JUNTA PLANA
56	D45140003	2	CYLINDER	CYLINDRE	ZYLINDER	CILINDRO
57	D45252600	12	UNION	RACCORD	VERSCHRAUBUNG	RACOR
58	D45148400	12	TUBE	TUBE	ROHR	TUBO.
59	D45148100	8	HOSE	DURITE	SCHLAUCH	TUBO DE GOMA

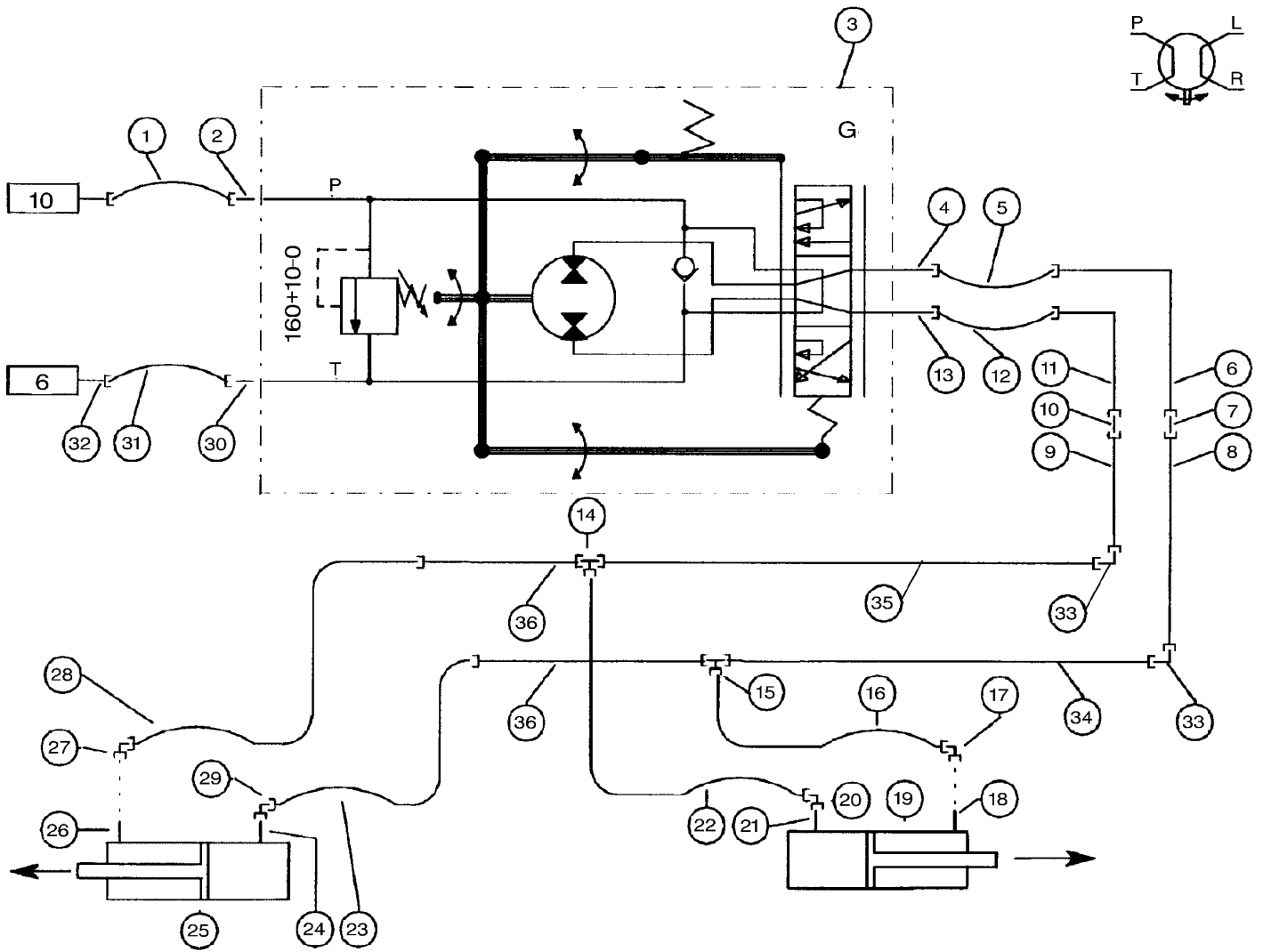


D-ADZH-004-A

1	D45166900		1	PUMP	POMPE	PUMPE	BOMBA
1	D45167300		1	KIT, SEAL	JEU ETANCHEITE	DICHTRINGSATZ	RETENES JUEGO
2	D45251500		4	UNION	RACCORD	VERSCHRAUBUNG	RACOR
3	D45130042		1	HYDR. HOSE	FLEXIBLE	HYDR. SCHLAUCH	TUBO HIDRAULICO
4	D45266600		4	UNION	RACCORD	VERSCHRAUBUNG	RACOR
5	D45272100		1	CONNECTOR	BORNE.	DOPPELNIPPEL	CONECTOR
6	D45266200		1	UNION	RACCORD	VERSCHRAUBUNG	RACOR
7	D45272800		1	UNION	RACCORD	VERSCHRAUBUNG	RACOR
8	D45130043		2	HYDR. HOSE	FLEXIBLE	HYDR. SCHLAUCH	TUBO HIDRAULICO
9	D45130043		2	HYDR. HOSE	FLEXIBLE	HYDR. SCHLAUCH	TUBO HIDRAULICO
10	D45251500		4	UNION	RACCORD	VERSCHRAUBUNG	RACOR
11	D45120002		1	PRESSURE VALVE	VALVE	DRUCKVENTIL	VALVULA PRESION
11	D45120043	KIT TO D45120002	1	O RING	JOINT TORIQUE	O-RING	JUNTA TOROIDAL
12	D45110064		2	COIL	BOBINE	SPULE	BOBINA
13	D45120004		2	BYPASS	BYPASS	LECKOELLEITUNG	DERIVACION
14	D45120004		2	BYPASS	BYPASS	LECKOELLEITUNG	DERIVACION
15	D45110064		2	COIL	BOBINE	SPULE	BOBINA
16	D45110070		1	BLOCK	BLOC	BLOCK	BLOQUE
16	D45120001		1	KIT, SEAL	JEU ETANCHEITE	DICHTRINGSATZ	RETENES JUEGO
17	D45120003		1	PRESSURE VALVE	VALVE	DRUCKVENTIL	VALVULA PRESION
18	D45255500		1	FITTING	MONTAGE	ANSCHL.VERSCHRBG	ACCESORIO.
19	D45266800		2	FITTING	MONTAGE	ANSCHL.VERSCHRBG	ACCESORIO.
20	D45273100		1	REDUCER	REDUCTEUR	REDUZIERSTUECK	REDUCCION
21	D45266600		4	UNION	RACCORD	VERSCHRAUBUNG	RACOR
22	D45272000		1	CONNECTOR	BORNE.	DOPPELNIPPEL	CONECTOR
23	D45130051		1	HYDR. HOSE	FLEXIBLE	HYDR. SCHLAUCH	TUBO HIDRAULICO
24	D45255300		1	UNION	RACCORD	VERSCHRAUBUNG	RACOR
25	D45165800		1	RETURN FL.FILTER	FILTRE DE RETOUR	RUECKLAUFFILTER	RETURN FL.FILTER
26	D45165900		1	FILTER	FILTRE	FILTER	FILTRO
27	D45103000		1	FILTER	FILTRE	FILTER	FILTRO
28	D28787072		1	BOTTOM	FOND	BODEN	FONDO
28	D28781818		1	PLATE	PLAQUE	PLATTE	PLATO
28	D28781819		1	KIT, SEAL	JEU ETANCHEITE	DICHTRINGSATZ	RETENES JUEGO
29	D45130050		2	HOSE	DURITE	SCHLAUCH	TUBO DE GOMA
30	D45130050		2	HOSE	DURITE	SCHLAUCH	TUBO DE GOMA
31	D28782308		2	HOSE	DURITE	SCHLAUCH	TUBO DE GOMA
32	D28782308		2	HOSE	DURITE	SCHLAUCH	TUBO DE GOMA
33	D28781675		2	BRACKET	SUPPORT FIXATION	HALTEAM	SOPORTE
34	D28781675		2	BRACKET	SUPPORT FIXATION	HALTEAM	SOPORTE
35	D45250700		2	UNION	RACCORD	VERSCHRAUBUNG	RACOR
36	D45264100		2	UNION	RACCORD	VERSCHRAUBUNG	RACOR
37	D45130040		2	HYDR. HOSE	FLEXIBLE	HYDR. SCHLAUCH	TUBO HIDRAULICO
38	D28786565		1	PIPE	TUYAU	TUBE	TUBO
39	D45250700		2	UNION	RACCORD	VERSCHRAUBUNG	RACOR
41	D45130040		2	HYDR. HOSE	FLEXIBLE	HYDR. SCHLAUCH	TUBO HIDRAULICO
42	D28786564		1	PIPE	TUYAU	TUBE	TUBO
43	D28780671		1	PIPE,OIL	TUYAU HYDRAULI.	OELLEITUNG	MANGUITO ACEITE
44	D45266600		4	UNION	RACCORD	VERSCHRAUBUNG	RACOR
45*	D45130042	➔ 61489	4	HYDR. HOSE	FLEXIBLE	HYDR. SCHLAUCH	TUBO HIDRAULICO
45*	D45130141	➔ 61490	4	HYDR. HOSE	FLEXIBLE	HYDR. SCHLAUCH	TUBO HIDRAULICO
46	D45269900		2	CONNECTOR	BORNE.	DOPPELNIPPEL	CONECTOR
47*	D45130037		4	HYDRAULIC HOSE	DURITE HYDRAULIC	HYDRAUL.SCHLAUCH	TUBO HYDRAULICO
49	D45251500		4	UNION	RACCORD	VERSCHRAUBUNG	RACOR
50	D28785651		1	OIL COOLER	REFROIDISS HUILE	OELKUEHLER	REFRIG DE ACEIT
51	D45251500		4	UNION	RACCORD	VERSCHRAUBUNG	RACOR
52*	D45010037		2	CONNECTOR	BORNE.	DOPPELNIPPEL	CONECTOR
53	D45264300		1	CONNECTORS	CONNECTEUR	KABELVERBINDER	CONECTADORES
54	D45269900		2	CONNECTOR	BORNE.	DOPPELNIPPEL	CONECTOR
55	D45130039		4	HYDRAULIC HOSE	DURITE HYDRAULIC	HYDRAUL.SCHLAUCH	TUBO HYDRAULICO
56*	D45267700		4	CONNECTION	CONNEXION	VERBINDUNG	CONEXION
57	D45255600		2	UNION	RACCORD	VERSCHRAUBUNG	RACOR
58	D45110097		1	BYPASS	BYPASS	LECKOELLEITUNG	DERIVACION
59	D45255600		2	UNION	RACCORD	VERSCHRAUBUNG	RACOR
60	D45266800		2	FITTING	MONTAGE	ANSCHL.VERSCHRBG	ACCESORIO.
61	D45273200		1	UNION	RACCORD	VERSCHRAUBUNG	RACOR
64	D45130039		4	HYDRAULIC HOSE	DURITE HYDRAULIC	HYDRAUL.SCHLAUCH	TUBO HYDRAULICO

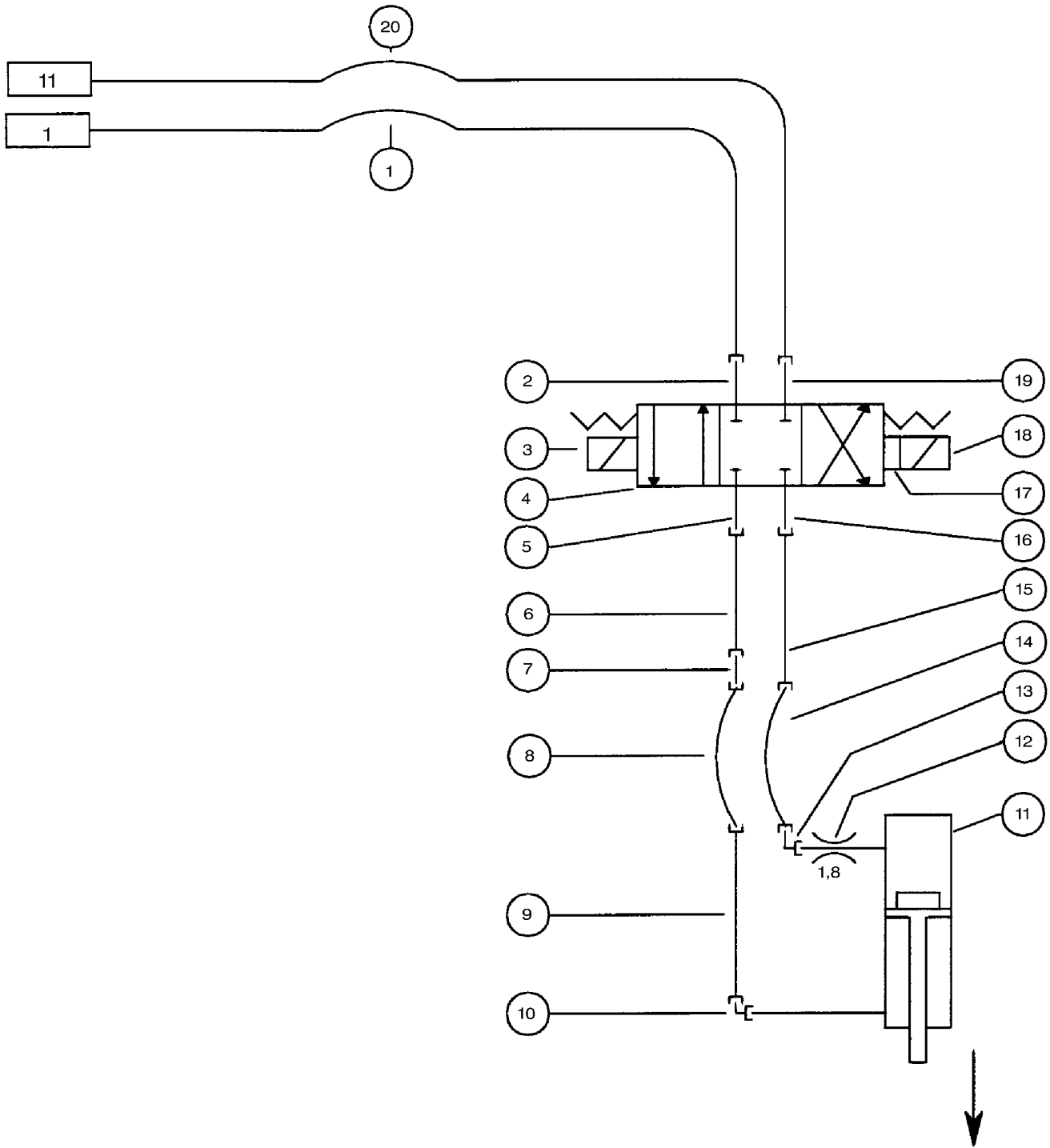


D-ADAZ-001-B

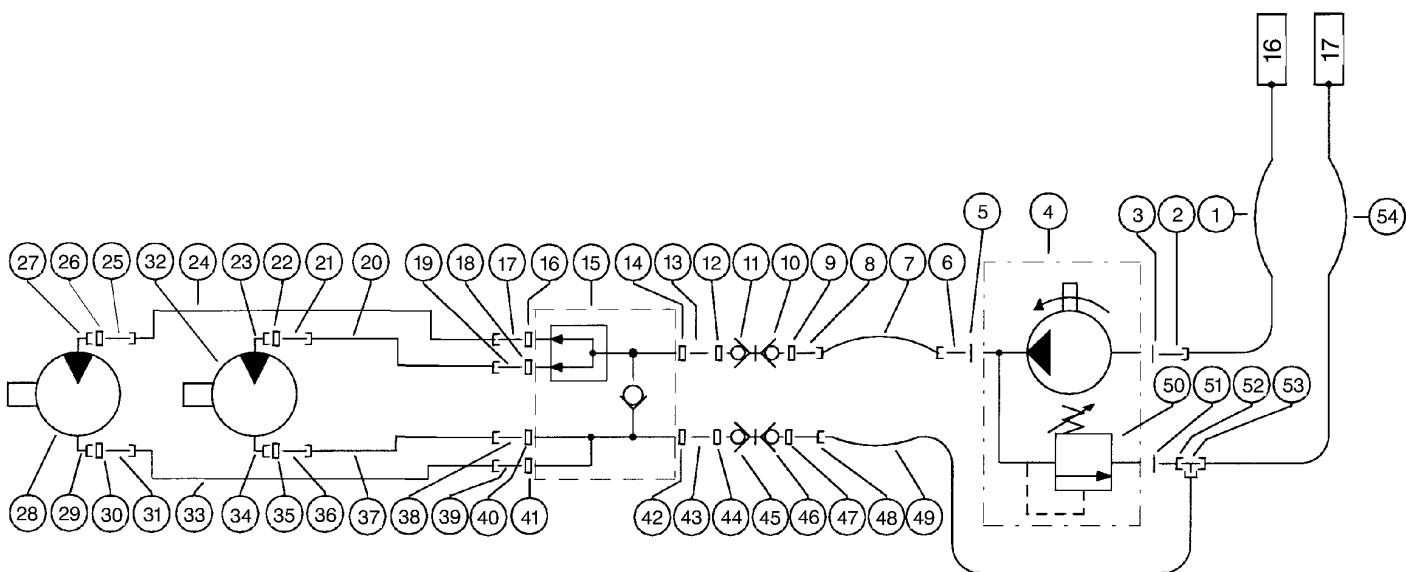


1	D45130026		4	HYDR. HOSE	FLEXIBLE	HYDR. SCHLAUCH	TUBO HIDRAULICO
2	D45252700		4	UNION	RACCORD	VERSCHRAUBUNG	RACOR
3	D45169500		1	PRESSURE VALVE	VALVE	DRUCKVENTIL	VALVULA PRESION
4	D45252700		4	UNION	RACCORD	VERSCHRAUBUNG	RACOR
5	D45130026		4	HYDR. HOSE	FLEXIBLE	HYDR. SCHLAUCH	TUBO HIDRAULICO
6	D28780653		1	PIPE,OIL	TUYAU HYDRAULI.	OELLEITUNG	MANGUITO ACEITE
7	D45254100		2	UNION	RACCORD	VERSCHRAUBUNG	RACOR
8	D28785463		1	PIPE	TUYAU	TUBE	TUBO
9	D28785464		1	PIPE	TUYAU	TUBE	TUBO
10	D45254100		2	UNION	RACCORD	VERSCHRAUBUNG	RACOR
11	D28780654		1	PIPE,OIL	TUYAU HYDRAULI.	OELLEITUNG	MANGUITO ACEITE
12	D45130026		4	HYDR. HOSE	FLEXIBLE	HYDR. SCHLAUCH	TUBO HIDRAULICO
13	D45252700		4	UNION	RACCORD	VERSCHRAUBUNG	RACOR
14	D45267100		2	UNION	RACCORD	VERSCHRAUBUNG	RACOR
15	D45267100		2	UNION	RACCORD	VERSCHRAUBUNG	RACOR
16	D45124400	[A]	4	HYDR. HOSE	FLEXIBLE	HYDR. SCHLAUCH	TUBO HIDRAULICO
17	D45264000		4	UNION	RACCORD	VERSCHRAUBUNG	RACOR
18	D45250800		4	UNION	RACCORD	VERSCHRAUBUNG	RACOR
19	D45120068		2	CYLINDER	CYLINDRE	ZYLINDER	CILINDRO
20	D45264000		4	UNION	RACCORD	VERSCHRAUBUNG	RACOR
21	D45250800		4	UNION	RACCORD	VERSCHRAUBUNG	RACOR
22	D45124400	[A]	4	HYDR. HOSE	FLEXIBLE	HYDR. SCHLAUCH	TUBO HIDRAULICO
23	D45124400	[A]	4	HYDR. HOSE	FLEXIBLE	HYDR. SCHLAUCH	TUBO HIDRAULICO
24	D45250800		4	UNION	RACCORD	VERSCHRAUBUNG	RACOR
25	D45120068		2	CYLINDER	CYLINDRE	ZYLINDER	CILINDRO
26	D45250800		4	UNION	RACCORD	VERSCHRAUBUNG	RACOR
27	D45264000		4	UNION	RACCORD	VERSCHRAUBUNG	RACOR
28	D45124400	[A]	4	HYDR. HOSE	FLEXIBLE	HYDR. SCHLAUCH	TUBO HIDRAULICO
29	D45264000		4	UNION	RACCORD	VERSCHRAUBUNG	RACOR
30	D45252700		4	UNION	RACCORD	VERSCHRAUBUNG	RACOR
31	D45130026		4	HYDR. HOSE	FLEXIBLE	HYDR. SCHLAUCH	TUBO HIDRAULICO
32	D28780657		1	PIPE,OIL	TUYAU HYDRAULI.	OELLEITUNG	MANGUITO ACEITE
33	D45258600		1	UNION	RACCORD	VERSCHRAUBUNG	RACOR
34	D28782367		1	HYDR. HOSE	FLEXIBLE	HYDR. SCHLAUCH	TUBO HIDRAULICO
35	D28782436		1	HYDR. HOSE	FLEXIBLE	HYDR. SCHLAUCH	TUBO HIDRAULICO
36	D28782365		1	PIPE	TUYAU	TUBE	TUBO

[A] FOR 4WD, ORDER D45130028 HYDRAULIC HOSE
 POUR 4WD, OMMANDER D45130028 DURITE HYDRAULIQUE
 FUR 4WD, BESTELLEN D45130028 HYDRAULIC SCHLAUCH
 PARA 4WD, PEDIR D45130028 HYDRAULICO FLEXIBLE

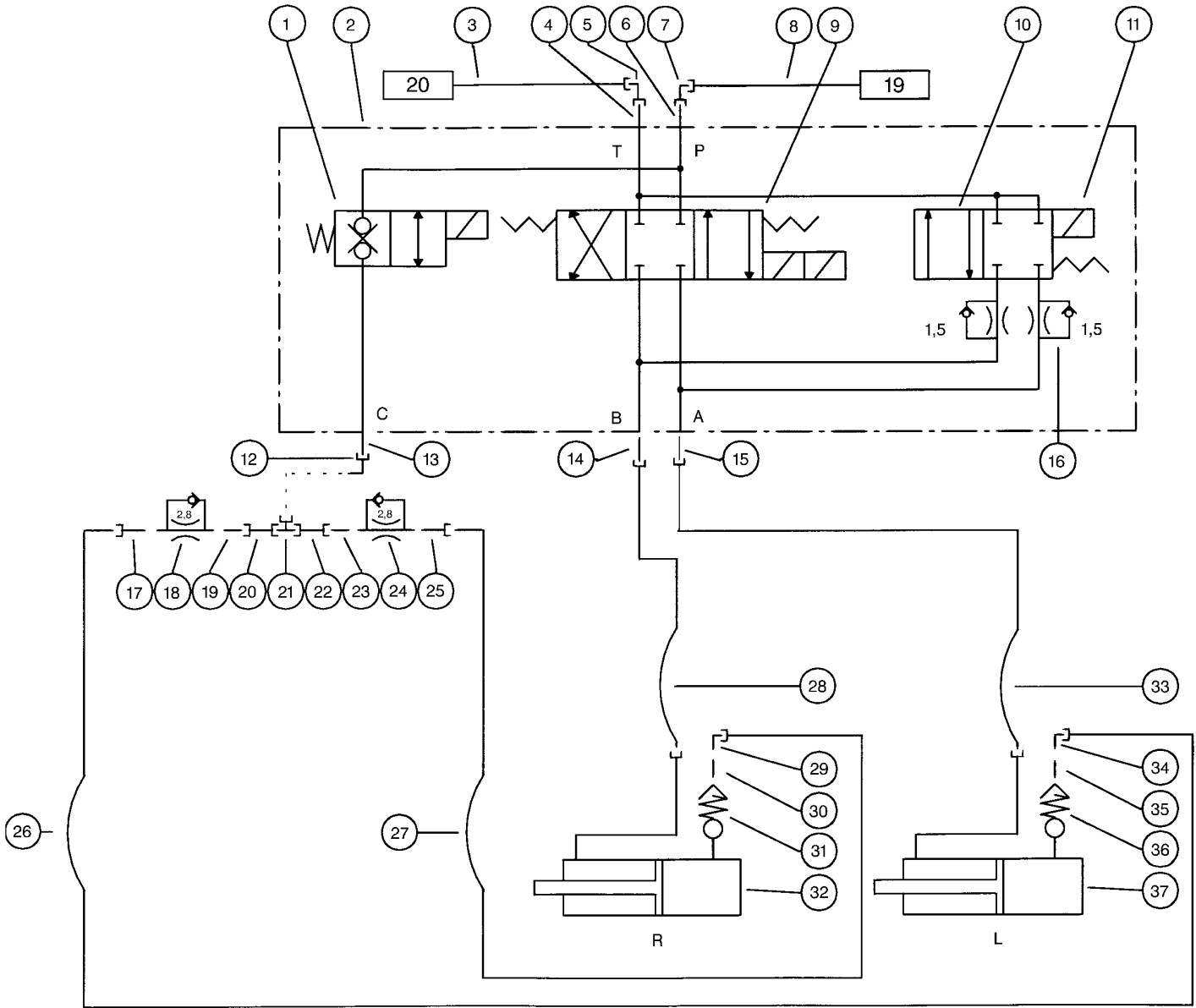


1	D45130046	2	HOSE	DURITE	SCHLAUCH	TUBO DE GOMA
2	D45252600	4	UNION	RACCORD	VERSCHRAUBUNG	RACOR
3	D45110064	2	COIL	BOBINE	SPULE	BOBINA
4	D45110055	1	PRESSURE VALVE	VALVE	DRUCKVENTIL	VALVULA PRESION
4	D45110015	1	GASKET	JOINT	FLACHDICHTUNG	JUNTA PLANA
5	D45252600	4	UNION	RACCORD	VERSCHRAUBUNG	RACOR
6	D28780679	1	PIPE,OIL	TUYAU HYDRAULI.	OELLEITUNG	MANGUITO ACEITE
7	D45254000	1	UNION	RACCORD	VERSCHRAUBUNG	RACOR
8	D45123600	2	HYDR. HOSE	FLEXIBLE	HYDR. SCHLAUCH	TUBO HIDRAULICO
9	D28780425	1	PIPE,OIL	TUYAU HYDRAULI.	OELLEITUNG	MANGUITO ACEITE
10	D45263900	2	UNION	RACCORD	VERSCHRAUBUNG	RACOR
11	D45100065	1	RAM	VERIN	HYDR.ZYLINDER	ARIETE
12	D28780324	1	WASHER	RONDELLE	SCHEIBE	ARANDELA
13	D45263900	2	UNION	RACCORD	VERSCHRAUBUNG	RACOR
14	D45123600	2	HYDR. HOSE	FLEXIBLE	HYDR. SCHLAUCH	TUBO HIDRAULICO
15	D28780680	1	PIPE,OIL	TUYAU HYDRAULI.	OELLEITUNG	MANGUITO ACEITE
16	D45252600	4	UNION	RACCORD	VERSCHRAUBUNG	RACOR
17	D45110066	1	PARTS PACK	JEU PIECES	SATZ TEILE	PAQUETE PIEZAS
18	D45110064	2	COIL	BOBINE	SPULE	BOBINA
19	D45252600	4	UNION	RACCORD	VERSCHRAUBUNG	RACOR
20	D45130046	2	HOSE	DURITE	SCHLAUCH	TUBO DE GOMA

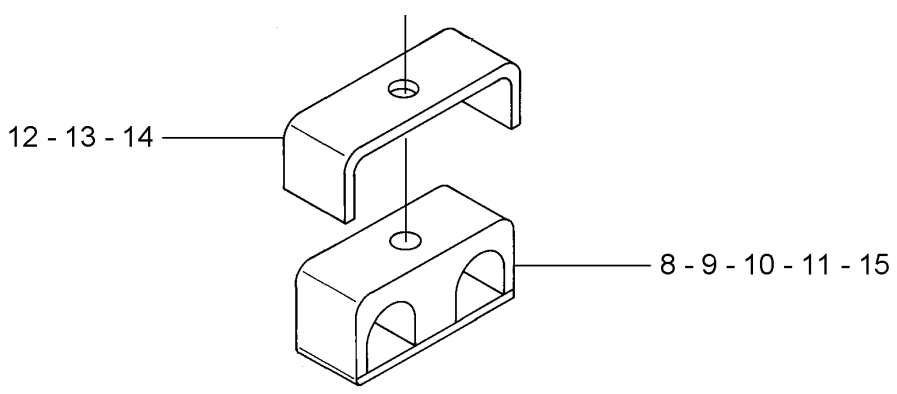
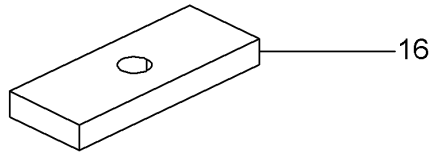
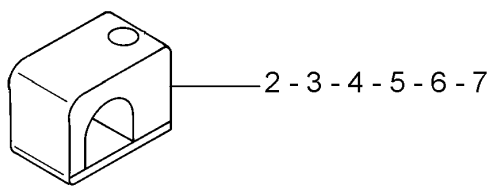
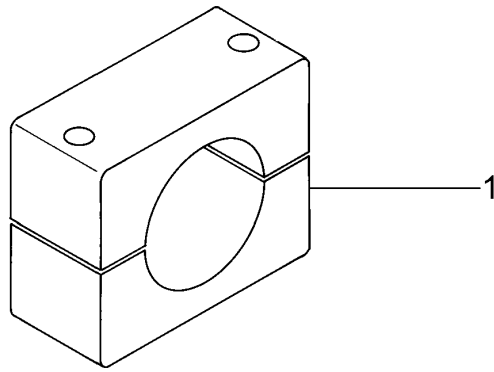


D-ADAC-001-A

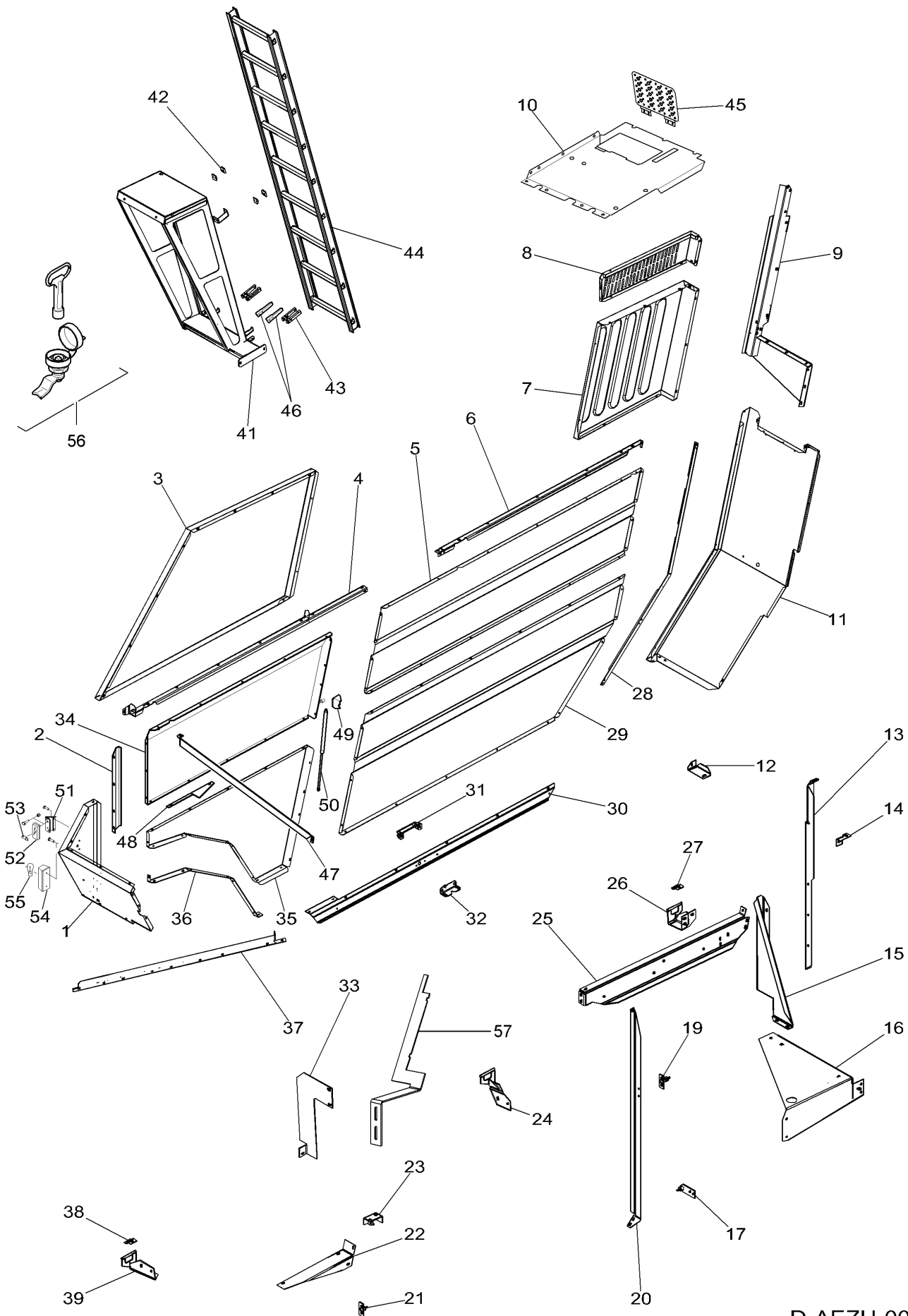
1	D49070081	1	HOSE	DURITE	SCHLAUCH	TUBO DE GOMA
2	D49070077	1	CONNECTION	CONNEXION	VERBINDUNG	CONEXION
3	D49070075	2	GASKET	JOINT	FLACHDICHTUNG	JUNTA PLANA
4	D49070073	1	PUMP	POMPE	PUMPE	BOMBA
4	D49070086	1	KIT, SEAL	JEU ETANCHEITE	DICHTRINGSATZ	RETENES JUEGO
5	D49070075	2	GASKET	JOINT	FLACHDICHTUNG	JUNTA PLANA
6	D49070076	1	CONNECTION	CONNEXION	VERBINDUNG	CONEXION
7	D49070080	1	HOSE	DURITE	SCHLAUCH	TUBO DE GOMA
8	D49070083	2	CONNECTION	CONNEXION	VERBINDUNG	CONEXION
9	D49070022	10	SEAL	JOINT ETANCHEITE	DICHTRING	JUNTA REDONDA
10	D45135000	1	UNION	RACCORD	VERSCHRAUBUNG	RACOR
11	D49070058	1	COUPLING	CRABOT	KUPPLUNG	ACOPLAMIENTO
12	D49070022	10	SEAL	JOINT ETANCHEITE	DICHTRING	JUNTA REDONDA
13	D45070031	1	HOSE	DURITE	SCHLAUCH	TUBO DE GOMA
14	D49070022	10	SEAL	JOINT ETANCHEITE	DICHTRING	JUNTA REDONDA
15	D49070020	1	KIT, GASKET	JEU JOINTS PLATS	FLACHDICHT. SATZ	KIT JUNTA PLANA
16	D49070022	10	SEAL	JOINT ETANCHEITE	DICHTRING	JUNTA REDONDA
17	D45252800	4	UNION	RACCORD	VERSCHRAUBUNG	RACOR
18	D49070022	10	SEAL	JOINT ETANCHEITE	DICHTRING	JUNTA REDONDA
19	D45252800	4	UNION	RACCORD	VERSCHRAUBUNG	RACOR
20	D49070063	2	HOSE	DURITE	SCHLAUCH	TUBO DE GOMA
21	D45252600	4	UNION	RACCORD	VERSCHRAUBUNG	RACOR
22	D49070027	5	SEAL	JOINT ETANCHEITE	DICHTRING	JUNTA REDONDA
23	D49070026	4	FLANGE	FLASQUE	FLANSCH	PLETINA
24	D49070062	2	HOSE	DURITE	SCHLAUCH	TUBO DE GOMA
25	D45252600	4	UNION	RACCORD	VERSCHRAUBUNG	RACOR
26	D49070027	5	SEAL	JOINT ETANCHEITE	DICHTRING	JUNTA REDONDA
27	D49070026	4	FLANGE	FLASQUE	FLANSCH	PLETINA
28	D49070060	1	HYDRAULIC MOTOR	MOTEUR HYDRAULIC	HYDRAULIK MOTOR	MOTOR HIDRAULICO
28	D49070065	1	KIT, SEAL	JEU ETANCHEITE	DICHTRINGSATZ	RETENES JUEGO
29	D49070026	4	FLANGE	FLASQUE	FLANSCH	PLETINA
30	D49070027	5	SEAL	JOINT ETANCHEITE	DICHTRING	JUNTA REDONDA
31	D45252600	4	UNION	RACCORD	VERSCHRAUBUNG	RACOR
32	D49070059	1	HYDRAULIC MOTOR	MOTEUR HYDRAULIC	HYDRAULIK MOTOR	MOTOR HIDRAULICO
32	D49070065	1	KIT, SEAL	JEU ETANCHEITE	DICHTRINGSATZ	RETENES JUEGO
33	D49070062	2	HOSE	DURITE	SCHLAUCH	TUBO DE GOMA
34	D49070026	4	FLANGE	FLASQUE	FLANSCH	PLETINA
35	D49070027	5	SEAL	JOINT ETANCHEITE	DICHTRING	JUNTA REDONDA
36	D45252600	4	UNION	RACCORD	VERSCHRAUBUNG	RACOR
37	D49070063	2	HOSE	DURITE	SCHLAUCH	TUBO DE GOMA
38	D45252800	4	UNION	RACCORD	VERSCHRAUBUNG	RACOR
39	D45252800	4	UNION	RACCORD	VERSCHRAUBUNG	RACOR
40	D49070022	10	SEAL	JOINT ETANCHEITE	DICHTRING	JUNTA REDONDA
41	D49070022	10	SEAL	JOINT ETANCHEITE	DICHTRING	JUNTA REDONDA
42	D49070022	10	SEAL	JOINT ETANCHEITE	DICHTRING	JUNTA REDONDA
43	D49070031	1	CONNECTOR	BORNE.	DOPPELNIPPEL	CONECTOR
44	D49070022	10	SEAL	JOINT ETANCHEITE	DICHTRING	JUNTA REDONDA
45	D49070057	1	COUPLING	CRABOT	KUPPLUNG	ACOPLAMIENTO
46	D45134900	1	UNION	RACCORD	VERSCHRAUBUNG	RACOR
47	D49070022	10	SEAL	JOINT ETANCHEITE	DICHTRING	JUNTA REDONDA
48	D49070083	2	CONNECTION	CONNEXION	VERBINDUNG	CONEXION
49	D45070080	1	UNION	RACCORD	VERSCHRAUBUNG	RACOR
50	D49070052	1	PRESSURE VALVE	VALVE	DRUCKVENTIL	VALVULA PRESION
51	D49070027	5	SEAL	JOINT ETANCHEITE	DICHTRING	JUNTA REDONDA
52	D49070078	1	CONNECTION	CONNEXION	VERBINDUNG	CONEXION
53	D49070079	1	CONNECTION	CONNEXION	VERBINDUNG	CONEXION
54	D49070082	1	HOSE	DURITE	SCHLAUCH	TUBO DE GOMA



1	D45120005		1	DISTRIBUTOR	DISTRIBUTEUR	SAERAEDER	DISTRIBUIDOR
2	D45110094	CPL.	1	PRESSURE VALVE	VALVE	DRUCKVENTIL	VALVULA PRESION
2	D45120008		1	SEAL	JOINT ETANCHEITE	DICHTRING	JUNTA REDONDA
3	D28186023		1	PIPE	TUYAU	TUBE	TUBO
4	D45255200		1	CONNECTOR	BORNE.	DOPPELNIPPEL	CONECTOR
5	D45264100		1	UNION	RACCORD	VERSCHRAUBUNG	RACOR
6	D45250800		6	UNION	RACCORD	VERSCHRAUBUNG	RACOR
7	D45264000		2	UNION	RACCORD	VERSCHRAUBUNG	RACOR
8	D28186026		1	PIPE	TUYAU	TUBE	TUBO
9	D45110066		1	PARTS PACK	JEU PIECES	SATZ TEILE	PAQUETE PIEZAS
10	D45120006		1	DISTRIBUTOR	DISTRIBUTEUR	SAERAEDER	DISTRIBUIDOR
11	D45110064		2	COIL	BOBINE	SPULE	BOBINA
12	D45264000		2	UNION	RACCORD	VERSCHRAUBUNG	RACOR
13	D45250800		6	UNION	RACCORD	VERSCHRAUBUNG	RACOR
14	D45250800		6	UNION	RACCORD	VERSCHRAUBUNG	RACOR
15	D45250800		6	UNION	RACCORD	VERSCHRAUBUNG	RACOR
16	D45120007		2	PRESSURE VALVE	VALVE	DRUCKVENTIL	VALVULA PRESION
17	D28181683		2	CONNECTOR	BORNE.	DOPPELNIPPEL	CONECTOR
18	D28780316		2	WASHER	RONDELLE	SCHEIBE	ARANDELA
19	D45250800		6	UNION	RACCORD	VERSCHRAUBUNG	RACOR
20	D28711881		2	PIPE,OIL	TUYAU HYDRAULI.	OELLEITUNG	MANGUITO ACEITE
21	D45267100		1	UNION	RACCORD	VERSCHRAUBUNG	RACOR
22	D28711881		2	PIPE,OIL	TUYAU HYDRAULI.	OELLEITUNG	MANGUITO ACEITE
23	D45250800		6	UNION	RACCORD	VERSCHRAUBUNG	RACOR
24	D28780316		2	WASHER	RONDELLE	SCHEIBE	ARANDELA
25	D28181683		2	CONNECTOR	BORNE.	DOPPELNIPPEL	CONECTOR
26	D45132300		3	HYDR. HOSE	FLEXIBLE	HYDR. SCHLAUCH	TUBO HIDRAULICO
27	D45130028		1	HYDR. HOSE	FLEXIBLE	HYDR. SCHLAUCH	TUBO HIDRAULICO
28	D45132300		3	HYDR. HOSE	FLEXIBLE	HYDR. SCHLAUCH	TUBO HIDRAULICO
29	D45265000		2	CONNECTOR	BORNE.	DOPPELNIPPEL	CONECTOR
30	D45235200		2	NIPPLE	GRAISSEUR COUDE	NIPPEL	NIPLE
31	D45120020		2	PRESSURE VALVE	VALVE	DRUCKVENTIL	VALVULA PRESION
32	D45100026		2	CYLINDER	CYLINDRE	ZYLINDER	CILINDRO
33	D45132300		3	HYDR. HOSE	FLEXIBLE	HYDR. SCHLAUCH	TUBO HIDRAULICO
34	D45265000		2	CONNECTOR	BORNE.	DOPPELNIPPEL	CONECTOR
35	D45235200		2	NIPPLE	GRAISSEUR COUDE	NIPPEL	NIPLE
36	D45120020		2	PRESSURE VALVE	VALVE	DRUCKVENTIL	VALVULA PRESION
37	D45100026		2	CYLINDER	CYLINDRE	ZYLINDER	CILINDRO

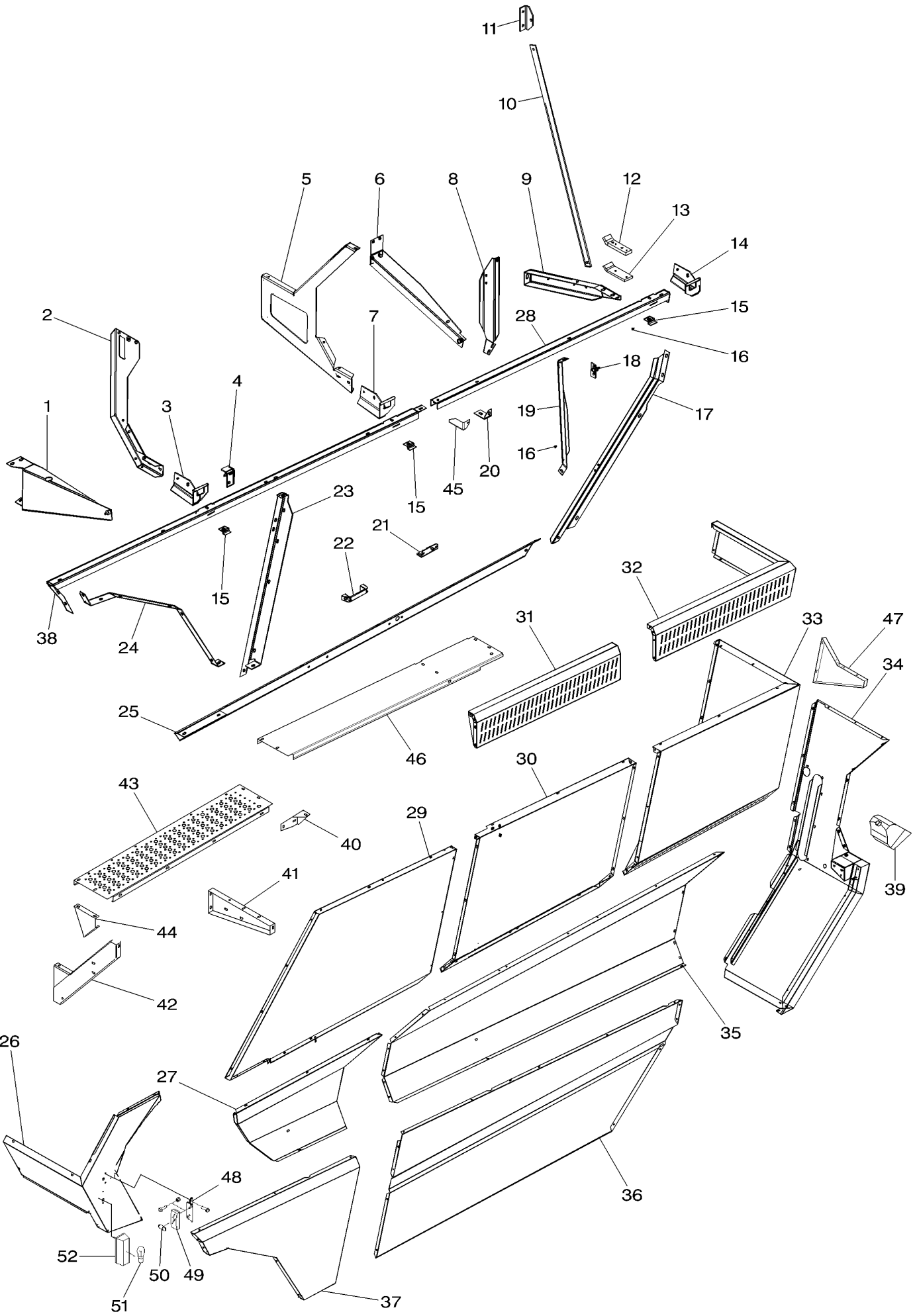


1	D45737900	X	SUPPORT	SUPPORT	TRAGER	SOPORTE
2	D45738700	X	SUPPORT	SUPPORT	TRAGER	SOPORTE
3	D45739900	X	BRIDLE	BRIDE	LASCHENSPANNBAND	BRIDA
4	D45739800	X	CLIP	PATTE D'ATTACHE	SHELLE	CLIP
5	D45739600	X	SUPPORT	SUPPORT	TRAGER	SOPORTE
6	D45739500	X	SUPPORT	SUPPORT	TRAGER	SOPORTE
7	D45739700	X	SUPPORT	SUPPORT	TRAGER	SOPORTE
8	D45739100	X	SUPPORT	SUPPORT	TRAGER	SOPORTE
9	D45739400	X	SUPPORT	SUPPORT	TRAGER	SOPORTE
10	D45739200	X	SUPPORT	SUPPORT	TRAGER	SOPORTE
11	D45736600	X	SUPPORT	SUPPORT	TRAGER	SOPORTE
12	D28750783	X	REINFORCEMENT	RENFORT	VERSTAERKUNG	REFUERZO
13	D28750784	X	BRACKET	SUPPORT FIXATION	HALTEARM	SOPORTE
14	D28250656	X	ARM	BRAS	SCHARHEBEL	BRAZO
15	D45736400	X	CLIP	PATTE D'ATTACHE	SHELLE	CLIP
16*	D28250653	X	PLATE	PLAQUE	PLATTE	PLATO



D-AEZH-001-E

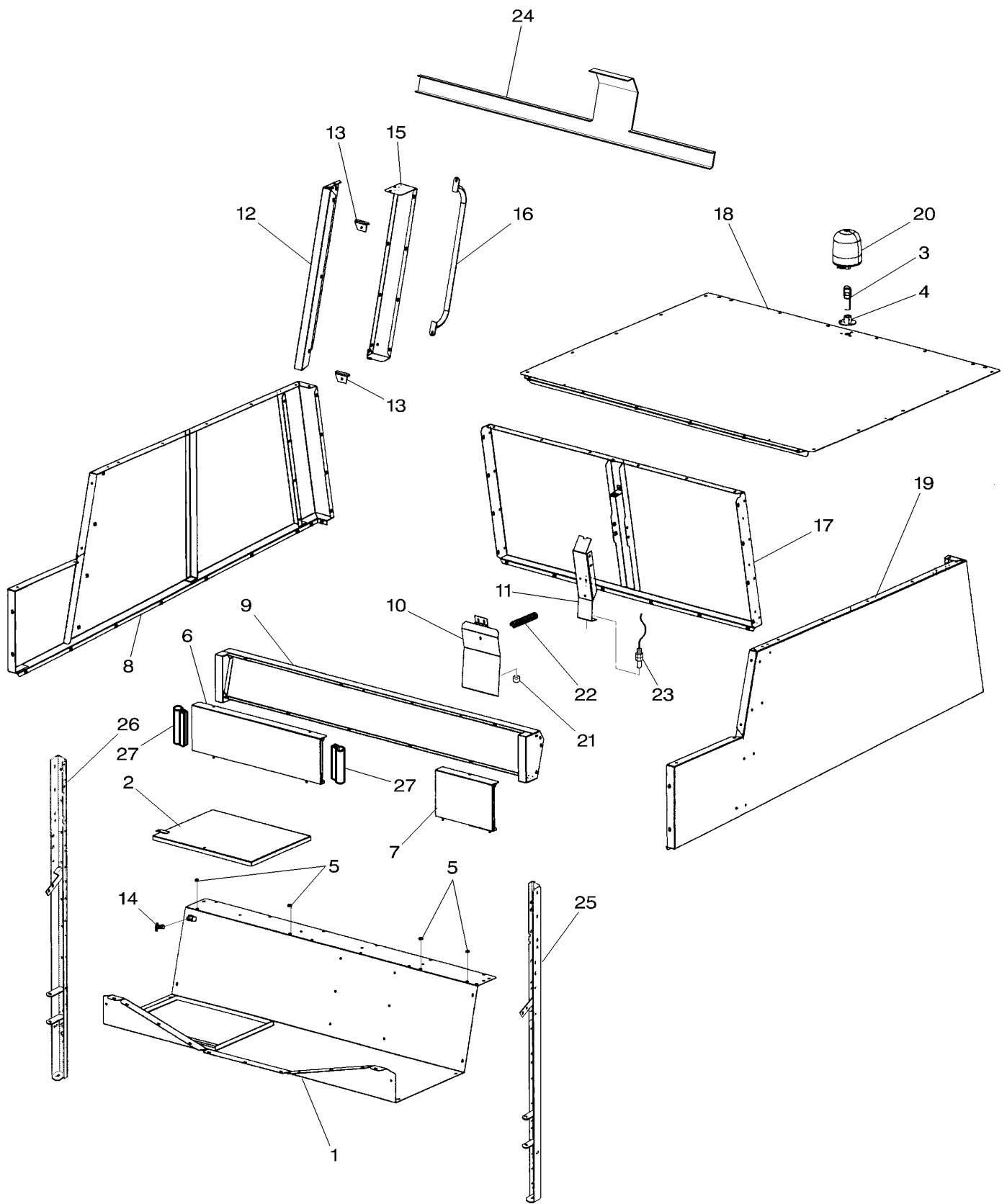
1	D28186563		1	GUARD	GARDE	SCHUTZVORR	DEFENSA
1*	D18187018	➔ 61490	1	GUARD	GARDE	SCHUTZVORR	DEFENSA
2	D28188487		1	REINFORCEMENT	RENFORT	VERSTAERKUNG	REFUERZO
3	D28186748		1	SHIELD	TOLE	SCHILD	BLINDAJE
3*	D58187025	➔ 61490	1	SHIELD	TOLE	SCHILD	BLINDAJE
4	D28188498		1	REINFORCEMENT	RENFORT	VERSTAERKUNG	REFUERZO
5	D58186543		1	SHIELD	TOLE	SCHILD	BLINDAJE
6	D28186707		1	REINFORCEMENT	RENFORT	VERSTAERKUNG	REFUERZO
7	D58187019		1	SHIELD	TOLE	SCHILD	BLINDAJE
8	D58186574		1	SHIELD	TOLE	SCHILD	BLINDAJE
9	D28186559		1	SHIELD	TOLE	SCHILD	BLINDAJE
10	D28186764		1	SHIELD	TOLE	SCHILD	BLINDAJE
11	D58186546		1	SHIELD	TOLE	SCHILD	BLINDAJE
12	D28186759		1	STRAP	PATTE	LASCHE	FAJA
13	D28186755		1	REINFORCEMENT	RENFORT	VERSTAERKUNG	REFUERZO
14	D28186756		1	STRAP	PATTE	LASCHE	FAJA
15	D28186757		1	REINFORCEMENT	RENFORT	VERSTAERKUNG	REFUERZO
16	D28185993		1	BRACKET	SUPPORT FIXATION	HALTEAM	SOPORTE
17	D28188489		1	CLEVIS PIN	AXE	SPLINTBOLZEN	BULON CILINDRICO
19	D28786522		1	SUPPORT	SUPPORT	TRAGER	SOPORTE
20	D28186773		1	REINFORCEMENT	RENFORT	VERSTAERKUNG	REFUERZO
21	D28786522		1	SUPPORT	SUPPORT	TRAGER	SOPORTE
22			X	NOT USED	NON UTILISE	NICHT VERWENDET	NO SE USA
23			X	NOT USED	NON UTILISE	NICHT VERWENDET	NO SE USA
24	D28186744		1	SUPPORT	SUPPORT	TRAGER	SOPORTE
25	D28186741		1	REINFORCEMENT	RENFORT	VERSTAERKUNG	REFUERZO
26	D28186714		1	SUPPORT	SUPPORT	TRAGER	SOPORTE
27	D28186742		1	SUPPORT	SUPPORT	TRAGER	SOPORTE
28	D28186573		1	REINFORCEMENT	RENFORT	VERSTAERKUNG	REFUERZO
29	D58186544		1	SHIELD	TOLE	SCHILD	BLINDAJE
30	D58186547		1	REINFORCEMENT	RENFORT	VERSTAERKUNG	REFUERZO
31	D43386900		1	GRIP	POIGNEE	HANDGRIFF	MANGO
32	D43419900		1	LOCK	SERRURE	SCHLOSS	CERRADURA
33	D28186750		1	PLATE	PLAQUE	PLATTE	PLATO
34	D28184496		1	SHIELD	TOLE	SCHILD	BLINDAJE
34*	D58187028	➔ 61490	1	SHIELD	TOLE	SCHILD	BLINDAJE
35	D28186542		1	SHIELD	TOLE	SCHILD	BLINDAJE
36	D28186570		1	REINFORCEMENT	RENFORT	VERSTAERKUNG	REFUERZO
37	D28186566		1	REINFORCEMENT	RENFORT	VERSTAERKUNG	REFUERZO
38	D28186742		1	SUPPORT	SUPPORT	TRAGER	SOPORTE
39	D28186680		1	STRAP	PATTE	LASCHE	FAJA
41	D58186614		1	BRACKET ASSY.	ENSEMBLE SUPPORT	HALTER KPL	CJT.SOPORTE
42	D28186664		4	SKATE	PATIN	SCHLITTEN-KUFE	PATIN
43	D28186662		1	SLIPPER	GLISSIERE	HAUSSCHUHE	DESLIZADOR
44	D28186619		1	LADDER	ECELLE	LEITER	ESCALERA
45	D28184285		1	COVER	COUVERCLE	ABDECKUNG.	CUBIERTA
46	D28186710		2	SLIPPER	GLISSIERE	HAUSSCHUHE	DESLIZADOR
47	D28186801		1	REINFORCEMENT	RENFORT	VERSTAERKUNG	REFUERZO
48	D28186802		1	SUPPORT	SUPPORT	TRAGER	SOPORTE
49	D28188496		1	STRAP	PATTE	LASCHE	FAJA
50	D45056700		1	GAS STRUT	VERIN AMORTISSEU	GASZYLINDER	CILINDRO GAS
51	D28781364		1	BRACKET	SUPPORT FIXATION	HALTEAM	SOPORTE
52	D45080005		1	HEAD LIGHT	PHARE	SCHEINWERFER	FARO
53	D45081300		1	BULB	AMPOULE	GLUEHLAMPE	BOMBILLA
54	D45077500		1	FLASHER	CLIGNOTANT	BLINKLICHT	DESTELLO
55	621235M1		1	BULB 12V 21W	AMPOULE 12V 21W	GLUEHL 12V21W	BOMB 12V 21W
56	D43425200		1	KEY	CLAVETTE	STELLKEIL	CHAVETA
56	D43425300		1	NUT	ECROU	MUTTER	TUERCA
56	D43425400		1	PACKING	GARNITURE ETANCH	PACKUNG	EMPAQUETADURA
56	D43425500		1	O RING	JOINT TORIQUE	O-RING	JUNTA TOROIDAL
56	D43425600		1	CAP	CHAPEAU	KAPPE	TAPA
56	D43425700		1	ROD	TRINGLE	STANGE	VARILLA
56	D43425800		1	SCREW	VIS	SCHRAUBE	TORNILLO
56	D43425900		1	LOCK	SERRURE	SCHLOSS	CERRADURA
57*	D28782946		1	PLATE	PLAQUE	PLATTE	PLATO



D-AEZD-005-C

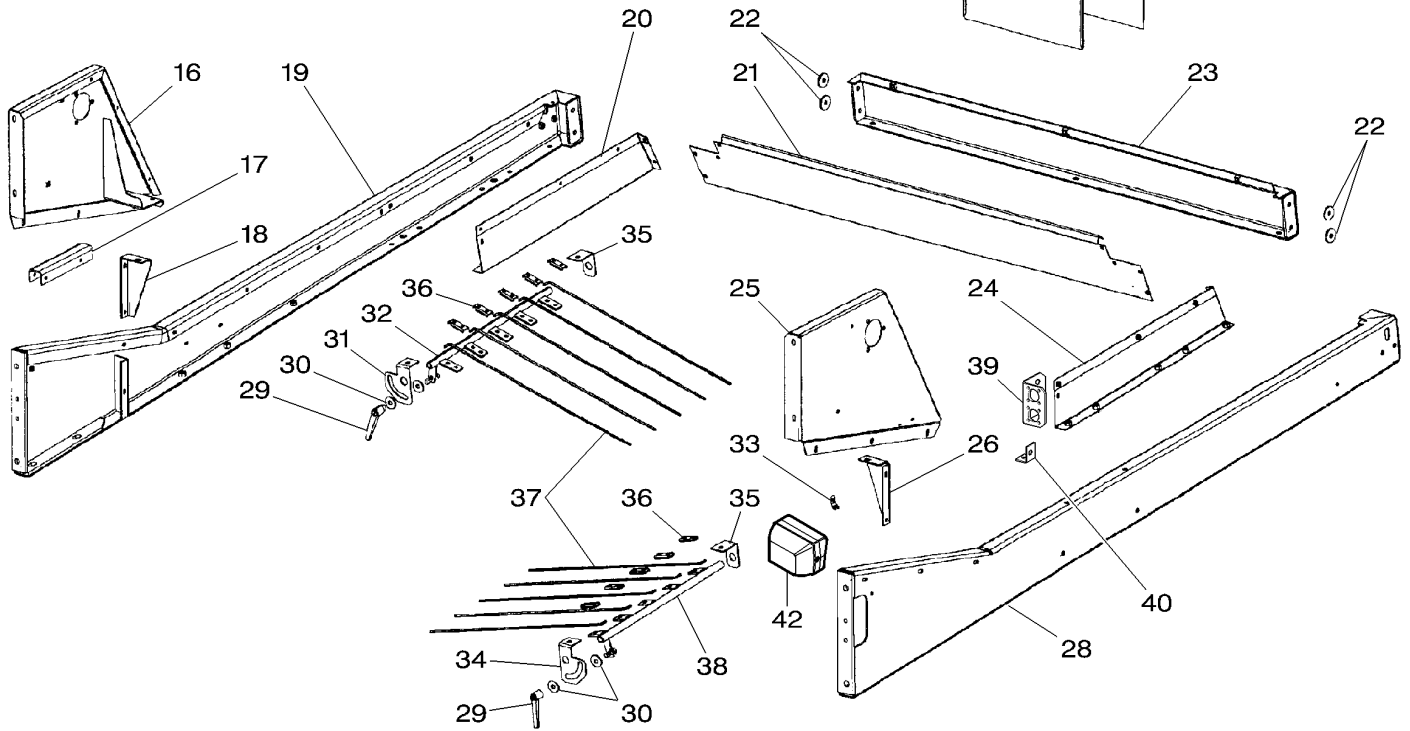
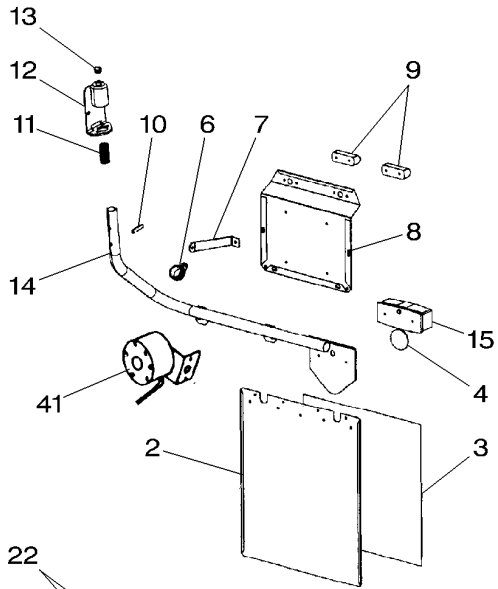
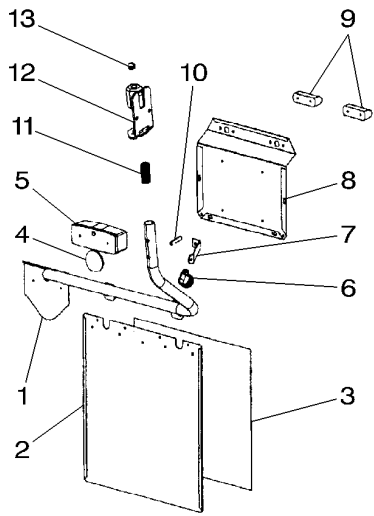
1	D28186780		1	SUPPORT	SUPPORT	TRAGER	SOPORTE
2	D28186676		1	STRAP	PATTE	LASCHE	FAJA
3	D28186680		1	STRAP	PATTE	LASCHE	FAJA
4	D28186777		1	STRAP	PATTE	LASCHE	FAJA
5	D28186649		1	SUPPORT	SUPPORT	TRAGER	SOPORTE
6	D28186784		1	BAR	BARRE	STAB	BARRA
7	D28186680		1	STRAP	PATTE	LASCHE	FAJA
8	D28186779		1	BAR	BARRE	STAB	BARRA
9	D28180479		1	BRACKET	SUPPORT FIXATION	HALTEAM	SOPORTE
10	D28186686		1	ROD	TRINGLE	STANGE	VARILLA
11	D28186687		1	STRAP	PATTE	LASCHE	FAJA
12	D28181033		1	STOP	BUTEE	ANSCHLAG	PARO
13	D58181034		1	STOP	BUTEE	ANSCHLAG	PARO
14	D28186684		1	STRAP	PATTE	LASCHE	FAJA
15	D28186683		2	STRAP	PATTE	LASCHE	FAJA
16	D45742200		2	PLUG	BOUCHON	STOPFEN	TAPON
17	D28186677		1	REINFORCEMENT	RENFORT	VERSTAERKUNG	REFUERZO
18	D28786522		1	SUPPORT	SUPPORT	TRAGER	SOPORTE
19	D28186782		1	BAR	BARRE	STAB	BARRA
20			X	NOT USED	NON UTILISE	NICHT VERWENDET	NO SE USA
21	D43419900		1	LOCK	SERRURE	SCHLOSS	CERRADURA
22	D43386900		1	GRIP	POIGNEE	HANDGRIFF	MANGO
23	D28186678		1	BAR	BARRE	STAB	BARRA
24	D28186679		1	BAR	BARRE	STAB	BARRA
25	D58186855		1	PROFILE	PROFIL	PROFIL	PERFIL
26	D28184489		1	SHIELD	TOLE	SCHILD	BLINDAJE
26*	D58187013	➔ 61490	1	SHIELD	TOLE	SCHILD	BLINDAJE
27	D28184500		1	SHIELD	TOLE	SCHILD	BLINDAJE
28	D28186648		1	BAR	BARRE	STAB	BARRA
29	D28184487		1	SHIELD	TOLE	SCHILD	BLINDAJE
29*	D58187020	➔ 61490	1	SHIELD	TOLE	SCHILD	BLINDAJE
30	D28184501		1	SHIELD	TOLE	SCHILD	BLINDAJE
30*	D58187026	➔ 61490	1	SHIELD	TOLE	SCHILD	BLINDAJE
31	D58186869		1	GUARD	GARDE	SCHUTZVORR	DEFENSA
32	D58186873		1	GUARD	GARDE	SCHUTZVORR	DEFENSA
33	D28184502		1	SHIELD	TOLE	SCHILD	BLINDAJE
33*	D58187027	➔ 61490	1	SHIELD	TOLE	SCHILD	BLINDAJE
34	D58186531		1	SHIELD	TOLE	SCHILD	BLINDAJE
35	D58186524		1	SIDE	COTE	SEITEN	LATERAL
36	D58186530		1	GUARD	GARDE	SCHUTZVORR	DEFENSA
37	D28184497		1	SHIELD	TOLE	SCHILD	BLINDAJE
38	D28186647		1	BAR	BARRE	STAB	BARRA
39	D28781728		1	WORKLIGHT	PHARE TRAVAIL	ARBEITSSCHEINWER	FARO DE TRABAJO
40	D28185296		1	BRACKET	SUPPORT FIXATION	HALTEAM	SOPORTE
41	D28185291		1	BRACKET	SUPPORT FIXATION	HALTEAM	SOPORTE
42	D28185292		1	BRACKET	SUPPORT FIXATION	HALTEAM	SOPORTE
43	D28180889		1	STEP	MARCHEPIED	STUFEN	APOYAPIES
44	D28182403		1	BRACKET	SUPPORT FIXATION	HALTEAM	SOPORTE
45	D28186889		1	STRAP	PATTE	LASCHE	FAJA
46	D18186890	[A]	1	SUPPORT	SUPPORT	TRAGER	SOPORTE
47	D28186893	[A]	1	SIDE	COTE	SEITEN	LATERAL
48	D28781364		1	BRACKET	SUPPORT FIXATION	HALTEAM	SOPORTE
49	D45080005		1	HEAD LIGHT	PHARE	SCHWEINWERFER	FARO
50	D45081300		1	BULB	AMPOULE	GLUEHLAMPE	BOMBILLA
51	621235M1		1	BULB 12V 21W	AMPOULE 12V 21W	GLUEHL 12V21W	BOMB 12V 21W
52	D45077600		1	FLASHER	CLIGNOTANT	BLINKLICHT	DESTELLO

[A] ORDER D28186890 + D28186893
 COMMANDER D28186890 + D28186893
 BESTELLEN D28186890 + D28186893
 PEDIR D28186890 + D28186893



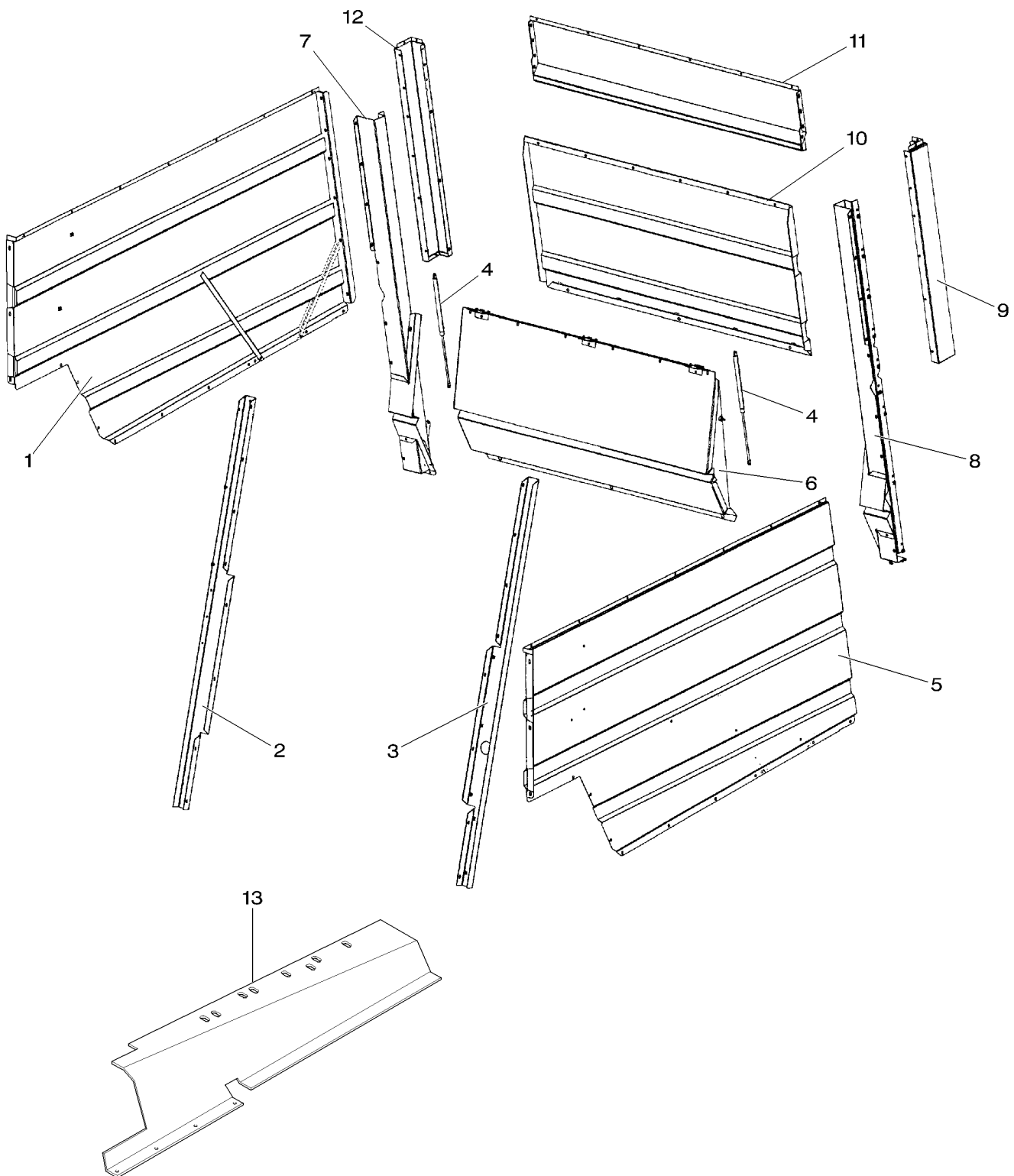
D-AEZI-003-B

1 D28185622		1 PLATE	PLAQUE	PLATTE	PLATO
2 D28186460		1 HATCH	DEMI PORTE	SCHAULOCH	COMPUERTA
3 D45051300		1 RETAINER	RETENEUR	HALTERING	RETENEDOR
4 D58950553		1 BRACKET	SUPPORT FIXATION	HALTEAM	SOPORTE
5 D44731200		4 GROMMET	PASSE FIL	GUMMITUELLE	PASACABLE
6 D28187004	▶	1 PLATE	PLAQUE	PLATTE	PLATO
7 D28186260	▶	1 PLATE	PLAQUE	PLATTE	PLATO
8 D28184489	▶	1 SHIELD	TOLE	SCHILD	BLINDAJE
8*D58187013	▶	1 SHIELD	TOLE	SCHILD	BLINDAJE
	▶ 61490				
9 D58186995		1 SHIELD	TOLE	SCHILD	BLINDAJE
10 D28181535		1 FLAP	ABATTANT	KLAPPE	SOLAPA
11 D28181530		1 SUPPORT	SUPPORT	TRAGER	SOPORTE
12 D28184498		1 COVER	COUVERCLE	ABDECKUNG.	CUBIERTA
13 D28186296		2 BRACKET	SUPPORT FIXATION	HALTEAM	SOPORTE
14 D44737200		1 RUBBER STRAP	BANDE CAOUTCHOUC	GUMMIBAND	BANDA DE GOMA
15 D28184492		1 SHIELD	TOLE	SCHILD	BLINDAJE
15*D58187015	▶ 61490	1 SHIELD	TOLE	SCHILD	BLINDAJE
16 D28752355		1 LEVER	LEVIER	HEBEL	PALANCA
17 D28184491		1 BACKPLATE	DOSSERET	RUECKWAND	PLACA POSTERIOR
17*D58187014	▶ 61490	1 GUARD	GARDE	SCHUTZVORR	DEFENSA
18 D28184490		1 PLATE	PLAQUE	PLATTE	PLATO
18*D58187029	▶ 61490	1 PLATE	PLAQUE	PLATTE	PLATO
19 D28184488		1 SHIELD	TOLE	SCHILD	BLINDAJE
20 D45051200		1 HEAD LIGHT	PHARE	SCHEINWERFER	FARO
21 D45010092		1 MAGNET	AIMANT	MAGNET	IMAN
22 D26600305		1 SPRING	RESSORT	FEDER	MUELLE
23 D28780365		1 SENSOR	DETECTEUR	SENSOR	DETECTOR
24 D28187006		1 SHIELD	TOLE	SCHILD	BLINDAJE
25 D28185464	▶	1 PROFILE	PROFIL	PROFIL	PERFIL
26 D28185465	▶	1 PROFILE	PROFIL	PROFIL	PERFIL
27 D44743500		2 SEAL	JOINT ETANCHEITE	DICHTRING	JUNTA REDONDA



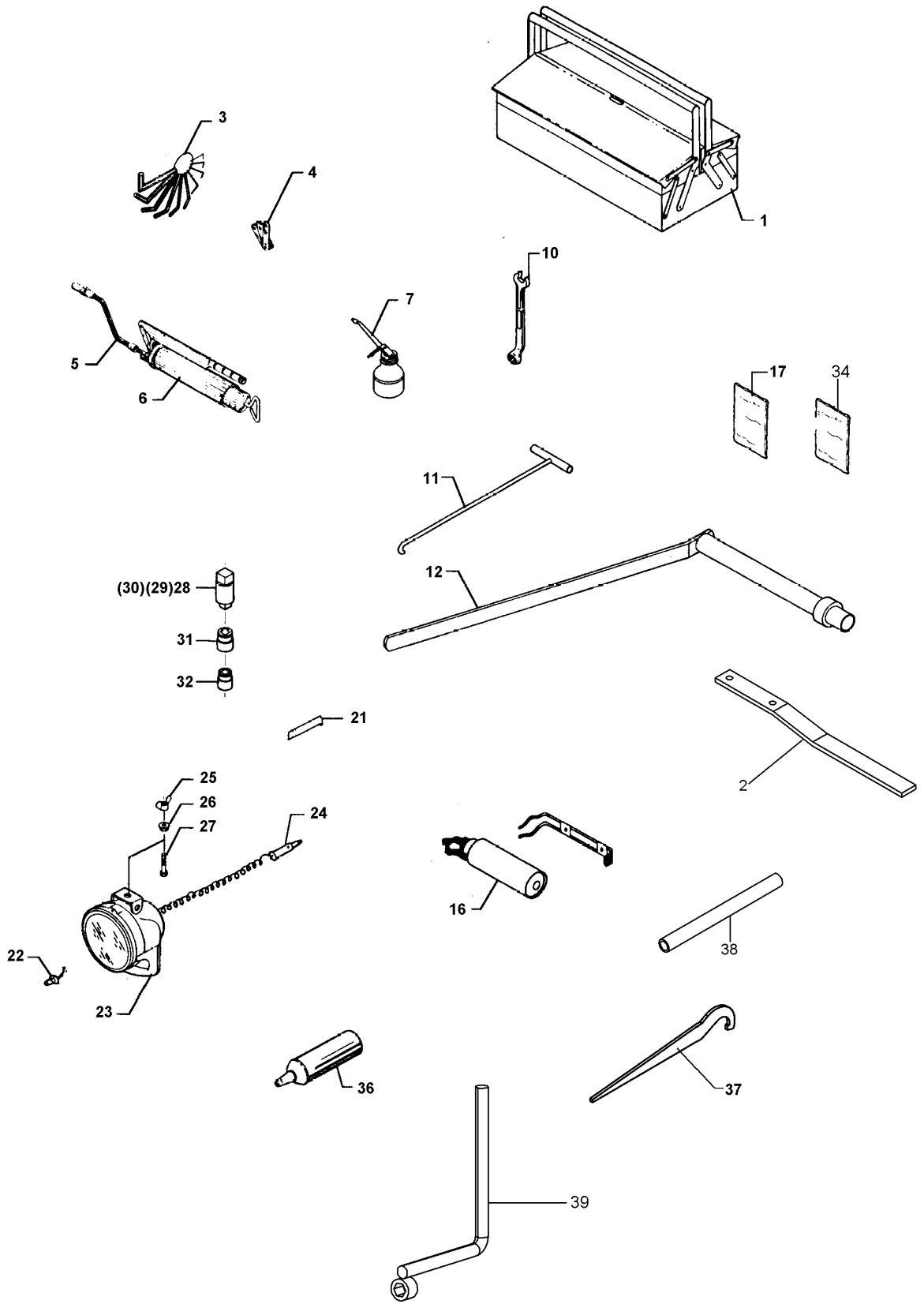
1 D28186555		1 ARM	BRAS	SCHARHEBEL	BRAZO
2 D28761501	[A]	2 PLATE	PLAQUE	PLATTE	PLATO
3 D49157500	[A]	2 DECAL	DECALCOMANIE	AUFKLEBER	CALCOMANIA
4 D45085600		2 REFLECTOR	CATADIOPTRE	RUECKSTRAHLER	LUZ REFRACTANTE
5 D45077300	▶	1 RH REAR LAMP	FEU AR DROIT	RUECKLEUCHTE RE	LUZ DE COLA LD
6 D45730400	[A]	2 CLAMP	COLLIER	HALTESCHELLE	ABRAZADERA
7 D28186558	[A]	2 STRUT	JAMBE DE FORCE	VERSTREBUNG	CODAL
8 D28752224	[A]	2 LICENCE PLATE	PLAQUE LICENCE	NUMMERNSCHILD	PLACA MATRICULA
9 D45085500	[A]	4 HEAD LIGHT	PHARE	SCHEINWERFER	FARO
10 391220X1	○ 10 X 45	2 PIN	GOUPILLE	STIFT	PASADOR
11 D28185545		2 COMP.SPRING	RESSORT DE COMPR	DRUCKFEDER	RESORTE DE COMP.
12 D58186263		2 BRACKET	SUPPORT FIXATION	HALTEARM	SOPORTE
13 D45743000		2 PLUG	BOUCHON	STOPFEN	TAPON
14 D28186553		1 ARM	BRAS	SCHARHEBEL	BRAZO
15 3042085M1		1 RH REAR LAMP	FEU AR DROIT	RUECKLEUCHTE RE	LUZ DE COLA LD
16 D58186312		1 BRACKET	SUPPORT FIXATION	HALTEARM	SOPORTE
17 D58186311		1 BRACKET	SUPPORT FIXATION	HALTEARM	SOPORTE
18 D28186324		1 BRACKET	SUPPORT FIXATION	HALTEARM	SOPORTE
19 D58186221		1 BRACKET	SUPPORT FIXATION	HALTEARM	SOPORTE
20 D28186315		1 COVER	COUVERCLE	ABDECKUNG.	CUBIERTA
21 D28186217		1 PLATE	PLAQUE	PLATTE	PLATO
22 D20400425		4 WASHER	RONDELLE	SCHEIBE	ARANDELA
23 D58186224		1 SUPPORT	SUPPORT	TRAGER	SOPORTE
24 D28186226		1 COVER	COUVERCLE	ABDECKUNG.	CUBIERTA
25 D58186213		1 BRACKET	SUPPORT FIXATION	HALTEARM	SOPORTE
26 D28186215		1 BRACKET	SUPPORT FIXATION	HALTEARM	SOPORTE
28 D58185766		1 SUPPORT	SUPPORT	TRAGER	SOPORTE
29 D43387500		2 LEVER	LEVIER	HEBEL	PALANCA
30 391212X1		4 WASHER	RONDELLE	SCHEIBE	ARANDELA
31 D28186465		1 LOCKING PLATE	PLAQUE BLOCAGE	SICH.BLECH	PLACA DE BLOCAJE
32 D28181860		1 TUBE	TUBE	ROHR	TUBO.
33 D28186442		1 CLAMP	COLLIER	HALTESCHELLE	ABRAZADERA
34 D28186466		1 STRAP	PATTE	LASCHE	FAJA
35 D28186464		2 STRAP	PATTE	LASCHE	FAJA
36 D28181537		10 CLAMP	COLLIER	HALTESCHELLE	ABRAZADERA
37 D28181046		10 SPRING WIRE	FIL DE RESSORT	FEDERDRAHT	ALAMBRE MUELLE
38 D28181623		1 TUBE	TUBE	ROHR	TUBO.
39 D28186641		1 PLATE	PLAQUE	PLATTE	PLATO
40 D28186642		1 STRAP	PATTE	LASCHE	FAJA
41 D44900865		1 BUZZER	VIBREUR	SUMMER	EMISOR CLAXON
42 D28781728		1 WORKLIGHT	PHARE TRAVAIL	ARBEITSSCHEINWER	FARO DE TRABAJO
42 D28781735		1 FUSE	FUSIBLE	SICHERUNG	FUSIBLE

[A] OPTIONAL EQUIPMENT
 EQUIPEMENTS ACCESSOIRES
 SONDERZUBEHOR
 EQUIP. ADITAMENTO



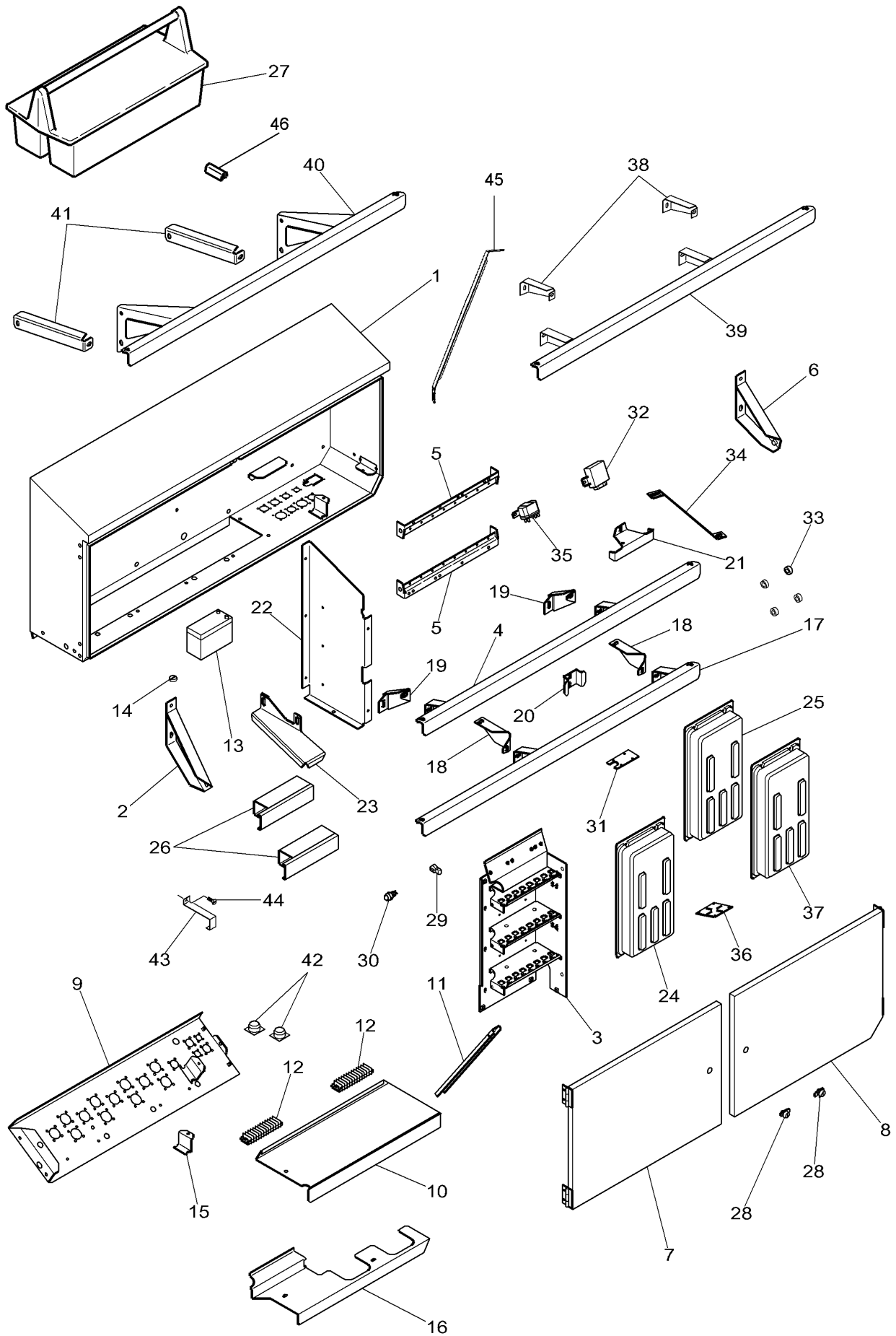
D-AEZK-002-A

1 D58186630	1 SHIELD	TOLE	SCHILD	BLINDAJE
2 D28186293	1 REINFORCEMENT	RENFORT	VERSTAERKUNG	REFUERZO
3 D28186516	1 REINFORCEMENT	RENFORT	VERSTAERKUNG	REFUERZO
4 D45059500	2 GAS STRUT	VERIN AMORTISSEU	GASZYLINDER	CILINDRO GAS
5 D58186633	1 SHIELD	TOLE	SCHILD	BLINDAJE
6 D28186218	1 HATCH	DEMI PORTE	SCHAULOCH	COMPUERTA
7 D28186318	1 PLATE	PLAQUE	PLATTE	PLATO
8 D28186227	1 PLATE	PLAQUE	PLATTE	PLATO
9 D58185948	1 PLATE	PLAQUE	PLATTE	PLATO
10 D58186302	1 HATCH	DEMI PORTE	SCHAULOCH	COMPUERTA
11 D58185770	1 HATCH	DEMI PORTE	SCHAULOCH	COMPUERTA
12 D58185949	1 PLATE	PLAQUE	PLATTE	PLATO
13 D28185995	1 GUARD	GARDE	SCHUTZVORR	DEFENSA



D-AFZA-005-B

1	D43713300		1	TOOL BOX	BOITE A OUTILS	WERKZEUGKASTEN	CAJA HERRAMIENTA
2	D28185696	EQUIPMENT	1	SCRAPER	RACLETTE	KRATZER	PALETA
3	D43705500		1	ALLEN KEY	CLE ALLEN	STIFTSCHLUESSEL	LLAVE ALLEN
4	D27300186		1	FEELER GUAGE	INDICATEUR PALP	FUEHLLEHRE	CALIBRADOR
5	D43709800		1	HOSE	DURITE	SCHLAUCH	TUBO DE GOMA
6	3405930M1		1	GREASE GUN	POMPE A GRAISSE	FETTPRESSE	BOMBA DE ENGRASE
7	D43710300		1	OIL CAN	BURETTE	OELKANNE	LATA DE ACEITE
10	D43707900		1	SPANNER	CLE	SCHR.SCHLUESSEL	LLAVE DE RUEDA
11	D28530187		1	TOOL	OUTIL	WERKZEUG	HERRAMIENTA
12	D28380136		1	KEY	CLAVETTE	STELLKEIL	CHAVETA
16	D43713400	6 Kg	1	EXTINGUISHER	EXTINCTEUR	FEUERLOESCHER	EXTINTOR
16	D43714200	2 Kg	1	EXTINGUISHER	EXTINCTEUR	FEUERLOESCHER	EXTINTOR
17	D28580181		1	BAG	SAC	SACK	BOLSILLO/BOLSA
21	*D28780689		1	SPRING	RESSORT	FEDER	MUELLE
22	*D28761343		1	WORKLIGHT	PHARE TRAVAIL	ARBEITSSCHEINWER	FARO DE TRABAJO
22	*1628494M1	22	1	BULB H3	AMPOULE H3	GLUEHLAMPE H3	BOMBILLA H3
23	*D45077700	22	1	WORKLIGHT	PHARE TRAVAIL	ARBEITSSCHEINWER	FARO DE TRABAJO
24	*D45026600	22	1	INTAKE	PRISE	SAUGROHR	ENTRADA
25	*339539X1	22 M10	1	WING NUT	ECROU A AILETTES	FLUEGELMUTTER	TUERCA MARIPOSA
26	*339402X1	22 M10	1	NUT SPECIAL	ECROU SPECIAL	SPEZIALMUTTER	TUERCA ESPECIAL
27	*1441370X1	22 M10 X 55	1	HEX. SOCK. SCREW	VIS TETE HEX	ZYLINDERSCHRAUBE	TORN.CAB.HUECA
28	D28151359		1	CONNECTOR	BORNE.	DOPPELNIPPEL	CONECTOR
28	D28151358	28	1	CONNECTOR	BORNE.	DOPPELNIPPEL	CONECTOR
29	D28151357	28	1	SPRING	RESSORT	FEDER	MUELLE
30	D41647600	28	1	BALL	BILLE	KUGEL	BOLA
31	D43715300		1	TOOL	OUTIL	WERKZEUG	HERRAMIENTA
32	D43708900		1	KEY	CLAVETTE	STELLKEIL	CHAVETA
34	D28781871		1	ELECTRIC EQUIP.	EQUIPEM. ELECTR.	ELEK.AUSRUESTUNG	ELECTRIC EQUIP.
36	D49208700		1	GREASE	GRAISSE	FETT	GRASA
37	D28280440		1	TOOL	OUTIL	WERKZEUG	HERRAMIENTA
38	D28380526		1	ROD	TRINGLE	STANGE	VARILLA
39	*D28284820		1	HANDLE	MANCHE	GRIFF	EMPUNADURA

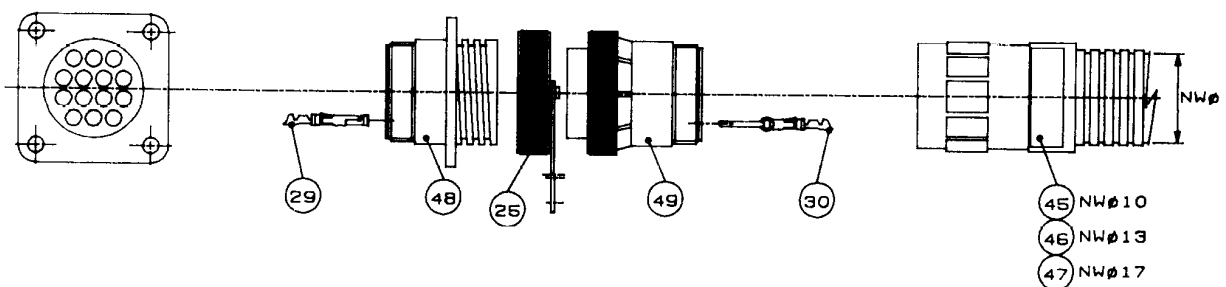
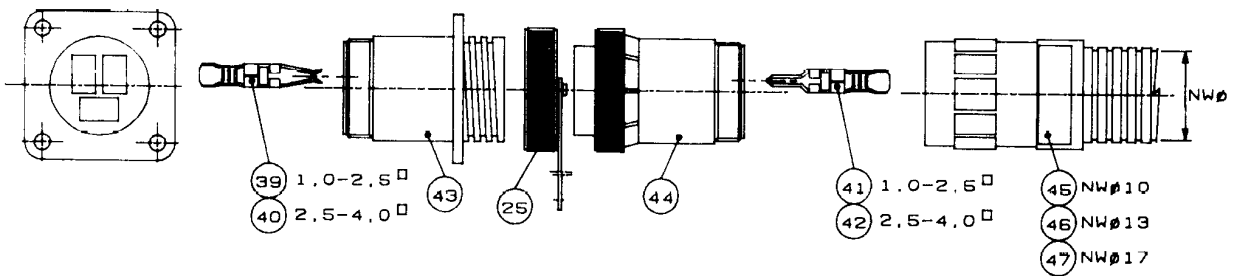
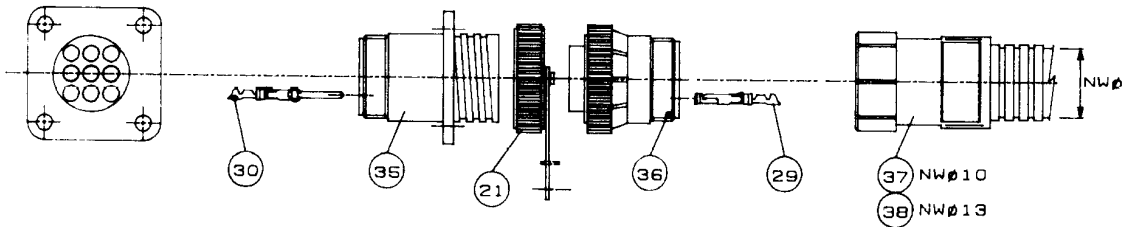
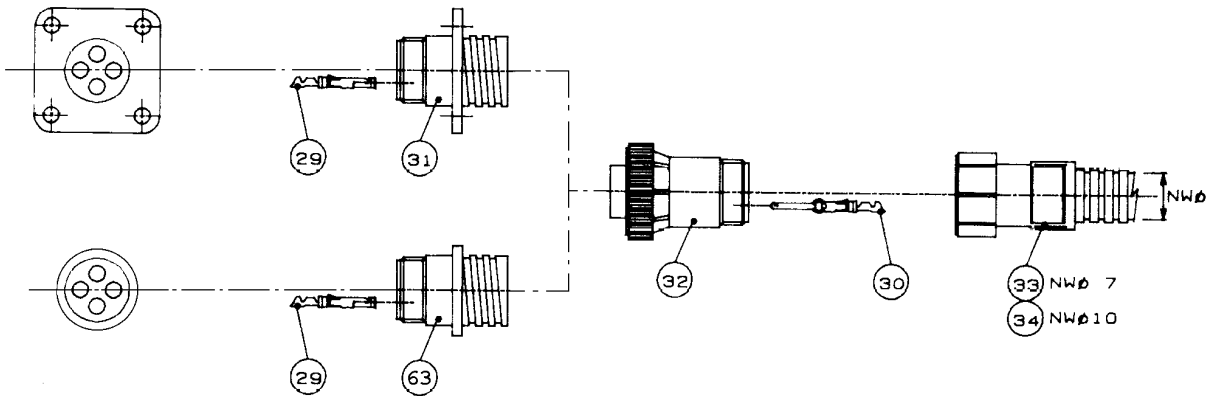
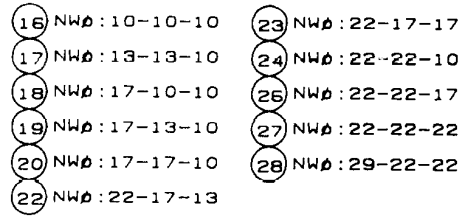
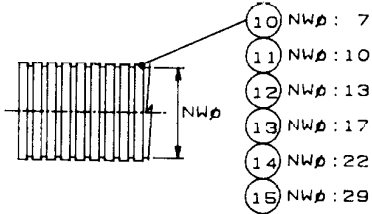
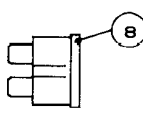
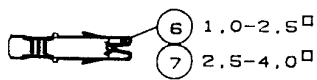
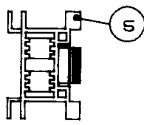
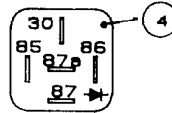
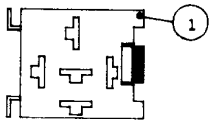


D-BAZE-001-E

1	D28787414	[A] Autolevel - CPL.	1	FUSE BOX	BOITE A FUSIBLES	SICHERUNGSDOSE	CAJA FUSIBLES
1	D28787415	[A] Standard - CPL.	1	FUSE BOX	BOITE A FUSIBLES	SICHERUNGSDOSE	CAJA FUSIBLES
1	D28782567		1	BOX	BOITE	DOSE	CAJA
2	D28184239		1	BRACKET	SUPPORT FIXATION	HALTEAM	SOPORTE
3	D28782573		1	PLATE	PLAQUE	PLATTE	PLATO
4	D28785901		1	BRACKET	SUPPORT FIXATION	HALTEAM	SOPORTE
5	D28782570		2	BRACKET	SUPPORT FIXATION	HALTEAM	SOPORTE
6	D28184474		1	BRACKET	SUPPORT FIXATION	HALTEAM	SOPORTE
7	D28785883		1	COVER	COUVERCLE	ABDECKUNG.	CUBIERTA
8	D28785885		1	COVER	COUVERCLE	ABDECKUNG.	CUBIERTA
9	D28782575		1	PLATE	PLAQUE	PLATTE	PLATO
10	D28782572		1	COVER	COUVERCLE	ABDECKUNG.	CUBIERTA
11	D28782577		1	RAIL	RAIL	SCHIENE	RIEL
12	D45010096		2	RAIL	RAIL	SCHIENE	RIEL
13	D44900050		1	BATTERY	BATTERIE	BATTERIE	BATERIA
14	D28780351		1	SCREW	VIS	SCHRAUBE	TORNILLO
15	D28785918		1	BRACKET	SUPPORT FIXATION	HALTEAM	SOPORTE
16	D28782568		1	COVER	COUVERCLE	ABDECKUNG.	CUBIERTA
17	D28785910		1	PLATE	PLAQUE	PLATTE	PLATO
18	D28785908		2	BRACKET	SUPPORT FIXATION	HALTEAM	SOPORTE
19	D28785903		2	BRACKET	SUPPORT FIXATION	HALTEAM	SOPORTE
20	D28785911		1	BRACKET	SUPPORT FIXATION	HALTEAM	SOPORTE
21	D28781769		1	SUPPORT	SUPPORT	TRAGER	SOPORTE
22	D28782574		1	PLATE	PLAQUE	PLATTE	PLATO
23	D28784452		1	SUPPORT	SUPPORT	TRAGER	SOPORTE
24	D28782720		1	COMPUTER	ORDINATEUR	COMPUTER	COMPUTADOR
25	D28787055	Auto Level	1	COMPUTER	ORDINATEUR	COMPUTER	COMPUTADOR
26	D28782595		2	CHANNEL	CANAL	KANAL	CANAL
27	D43713300		1	TOOL BOX	BOITE A OUTILS	WERKZEUGKASTEN	CAJA HERRAMIENTA
28	D43423000		2	LOCK	SERRURE	SCHLOSS	CERRADURA
29	D45068300		1	DUSTCAP	CACHE POUSSIERES	STAUBKAPPE	GUARDAPOLVA
30	D45068200		1	ELECTRIC SOCKET	PRISE ELEC FEMEL	STECKDOSE	TOMACORRIENTE F
31	D28786877		1	PLATE	PLAQUE	PLATTE	PLATO
32	D45088800		1	RELAY	RELAIS	RELAIS	RELE
33	D43319200		4	WASHER	RONDELLE	SCHEIBE	ARANDELA
34	D28784451		1	BRACKET	SUPPORT FIXATION	HALTEAM	SOPORTE
35	D45086800		1	RELAY	RELAIS	RELAIS	RELE
36	D28785921		1	COVER	COUVERCLE	ABDECKUNG.	CUBIERTA
37	D28782721		1	COMPUTER	ORDINATEUR	COMPUTER	COMPUTADOR
38*				NOT USED	NON UTILISE	NICHT VERWENDET	NO SE USA
39*				NOT USED	NON UTILISE	NICHT VERWENDET	NO SE USA
40*	D28787451		1	BRACKET	SUPPORT FIXATION	HALTEAM	SOPORTE
41*	D28787452		1	BRACKET	SUPPORT FIXATION	HALTEAM	SOPORTE
42	D28781298	Soft-Start	1	RELAY	RELAIS	RELAIS	RELE
42	D45010006	Soft-Start	2	PLUG	BOUCHON	STOPFEN	TAPON
43	D28781347	Soft-Start	1	FITTING	MONTAGE	ANSCHL.VERSCHRBG	ACCESORIO.
44	D40740100	Soft-Start	1	SCREW	VIS	SCHRAUBE	TORNILLO
45	D28187011	[B]	1	SUPPORT	SUPPORT	TRAGER	SOPORTE
46*	D44744800	0,15 m	X	PROFILE	PROFIL	PROFIL	PERFIL

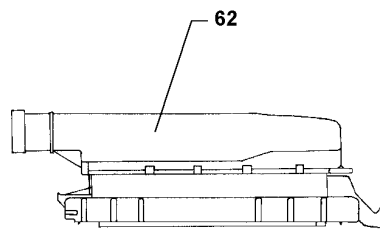
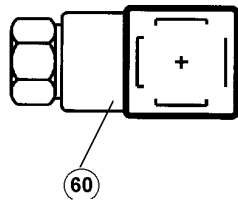
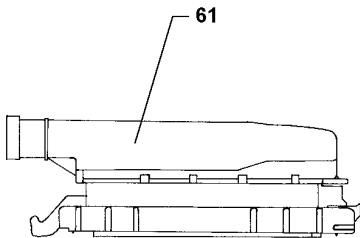
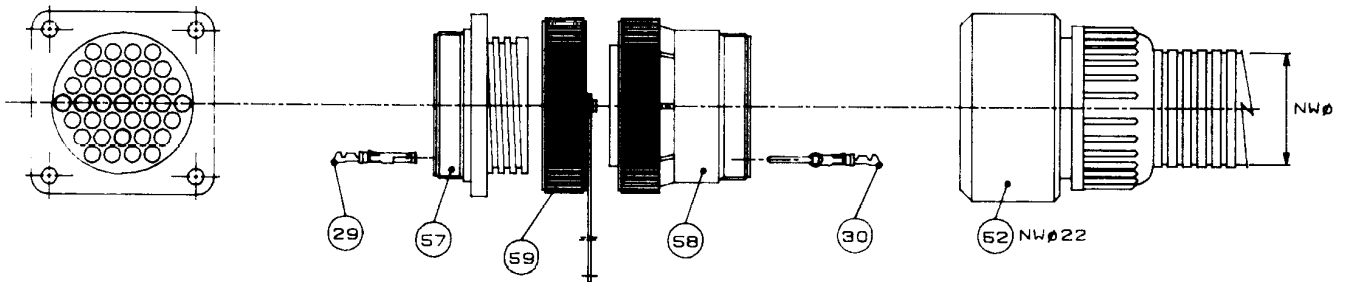
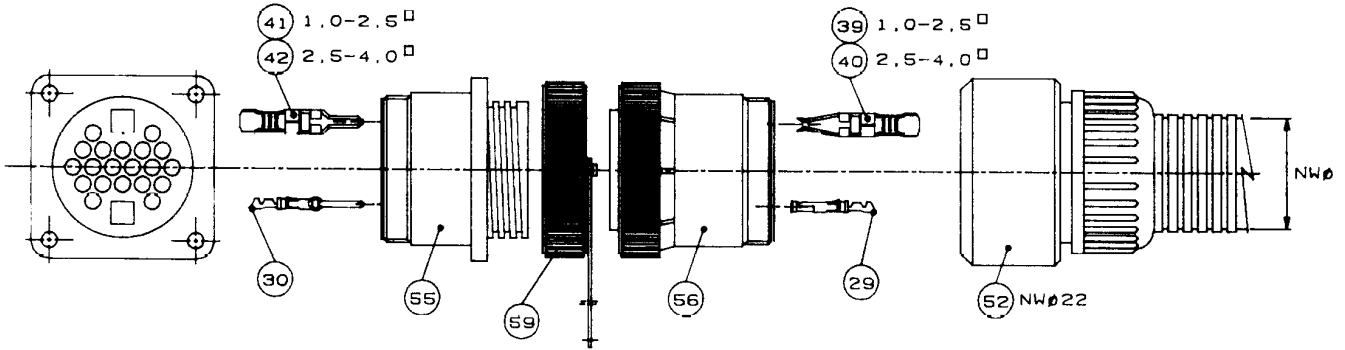
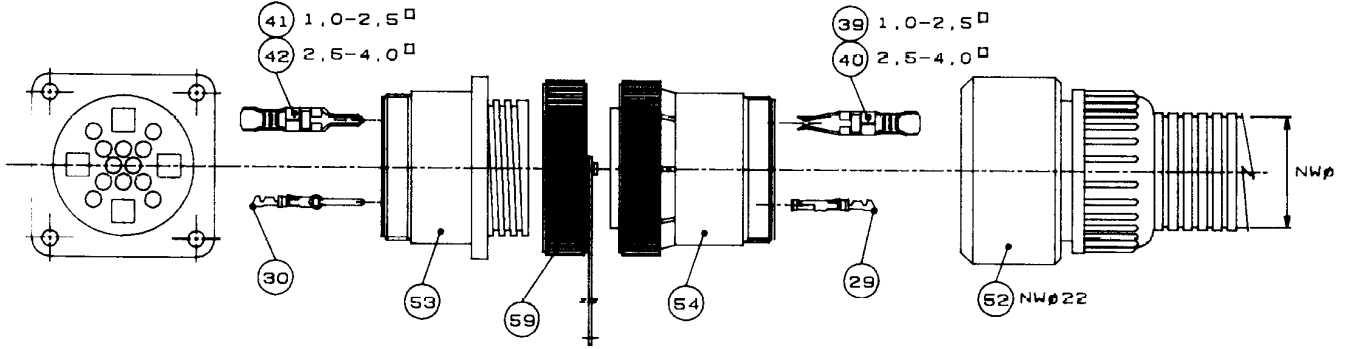
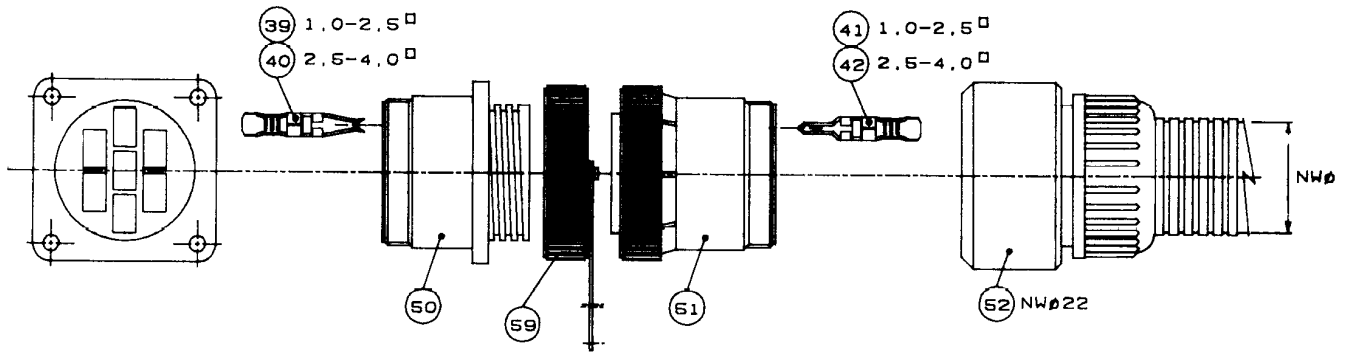
[A] COMPUTER NOT INCLUDED
 SANS ORDINATEUR
 OHNE COMPUTER
 SIN COMPUTADOR

[B] FROM 59220 - UP TO 6114
 A PARTIR DE 59220 - JUSQU'AU 6114
 AB 59220 - BIS 6114
 DESPUES 59220 - HASTA 6114



D-AFZG-001-A

1	D45010068		X CASE ASSY	BOITIER	GEHAEUSE KPL	CAJA COMPLETA
4	D45070089		X RELAY	RELAIS	RELAIS	RELE
5	D45010076		X FUSE HOLDER	PORTE FUSIBLE	SICHERUNGSHALTER	PORTAFUSIBLE
6	D45010027		X CONNECTOR	BORNE.	DOPPELNIPPEL	CONECTOR
7	D45010028		X CONNECTOR	BORNE.	DOPPELNIPPEL	CONECTOR
8	3387318M1	5 Amp	X FUSE	FUSIBLE	SICHERUNG	FUSIBLE
8	3387319M1	7,5 Amp	X FUSE	FUSIBLE	SICHERUNG	FUSIBLE
8	1695939M1	10 Amp	X FUSE	FUSIBLE	SICHERUNG	FUSIBLE
8	1695966M1	15 Amp	X FUSE	FUSIBLE	SICHERUNG	FUSIBLE
8	D45010073	20 Amp	X FUSE	FUSIBLE	SICHERUNG	FUSIBLE
8	3387322M1	25 Amp	X FUSE	FUSIBLE	SICHERUNG	FUSIBLE
8	D45010075	30 Amp	X FUSE	FUSIBLE	SICHERUNG	FUSIBLE
10	D28782170	◄ 5 M	X SHEATH	GAINÉ	HUELLE	FUNDA
11	D28782165	◄ 15 M	X SHEATH	GAINÉ	HUELLE	FUNDA
12	D28782169	◄ 15 M	X SHEATH	GAINÉ	HUELLE	FUNDA
13	D28782166	◄ 15 M	X SHEATH	GAINÉ	HUELLE	FUNDA
14	D28782167	◄ 10 M	X SHEATH	GAINÉ	HUELLE	FUNDA
15	D28782168	◄ 10 M	X SHEATH	GAINÉ	HUELLE	FUNDA
16	D45020010		X CONNECTOR	BORNE.	DOPPELNIPPEL	CONECTOR
17	D45020019		X REAR LANDSIDE	DERIVE	ANLAGE HINTEN	PLACA GUIA
18	D45020011		X CONNECTOR	BORNE.	DOPPELNIPPEL	CONECTOR
19	D45020022		X CONNECTOR	BORNE.	DOPPELNIPPEL	CONECTOR
20	D45020012		X CONNECTOR	BORNE.	DOPPELNIPPEL	CONECTOR
21	D45010082		X COVER	COUVERCLE	ABDECKUNG.	CUBIERTA
22	D45020023		X CONNECTOR	BORNE.	DOPPELNIPPEL	CONECTOR
23	D45020015		X CONNECTOR	BORNE.	DOPPELNIPPEL	CONECTOR
24	D45020013		X CONNECTOR	BORNE.	DOPPELNIPPEL	CONECTOR
25	D45010083		X COVER	COUVERCLE	ABDECKUNG.	CUBIERTA
26	D45020014		X CONNECTOR	BORNE.	DOPPELNIPPEL	CONECTOR
27	D45020016		X CONNECTOR	BORNE.	DOPPELNIPPEL	CONECTOR
28	D45020017		X CONNECTOR	BORNE.	DOPPELNIPPEL	CONECTOR
29	D45060094		X CONNECTOR	BORNE.	DOPPELNIPPEL	CONECTOR
30	D45060093		X CONNECTOR	BORNE.	DOPPELNIPPEL	CONECTOR
31	D45010006		X PLUG	BOUCHON	STOPFEN	TAPON
32	D45010005		X INTAKE	PRISE	SAUGROHR	ENTRADA
33	D45010040		X CONNECTOR	BORNE.	DOPPELNIPPEL	CONECTOR
34	D45010041		X UNION	RACCORD	VERSCHRAUBUNG	RACOR
35	D45010042		X PLUG	BOUCHON	STOPFEN	TAPON
36	D45010043		X INTAKE	PRISE	SAUGROHR	ENTRADA
37	D45010037		X CONNECTOR	BORNE.	DOPPELNIPPEL	CONECTOR
38	D45010038		X UNION	RACCORD	VERSCHRAUBUNG	RACOR
39	D45010024		X CONNECTOR	BORNE.	DOPPELNIPPEL	CONECTOR
40	D45010026		X CONNECTOR	BORNE.	DOPPELNIPPEL	CONECTOR
41	D45010023		X CONNECTOR	BORNE.	DOPPELNIPPEL	CONECTOR
42	D45010025		X CONNECTOR	BORNE.	DOPPELNIPPEL	CONECTOR
43	D45010011		X PLUG	BOUCHON	STOPFEN	TAPON
44	D45010012		X PLUG	BOUCHON	STOPFEN	TAPON
45	D28780339		X GASKET	JOINT	FLACHDICHTUNG	JUNTA PLANA
45	D45020080		X UNION	RACCORD	VERSCHRAUBUNG	RACOR
45	D45020090		X GASKET	JOINT	FLACHDICHTUNG	JUNTA PLANA
46	D45010056		X CONNECTION	CONNEXION	VERBINDUNG	CONEXION
47	D45010047		X UNION	RACCORD	VERSCHRAUBUNG	RACOR
48	D45010009		X INTAKE	PRISE	SAUGROHR	ENTRADA
49	D45010010		X ELECTRIC SOCKET	PRISE ELEC FEMEL	STECKDOSE	TOMACORRIENTE F
63	D45030078		X INTAKE	PRISE	SAUGROHR	ENTRADA



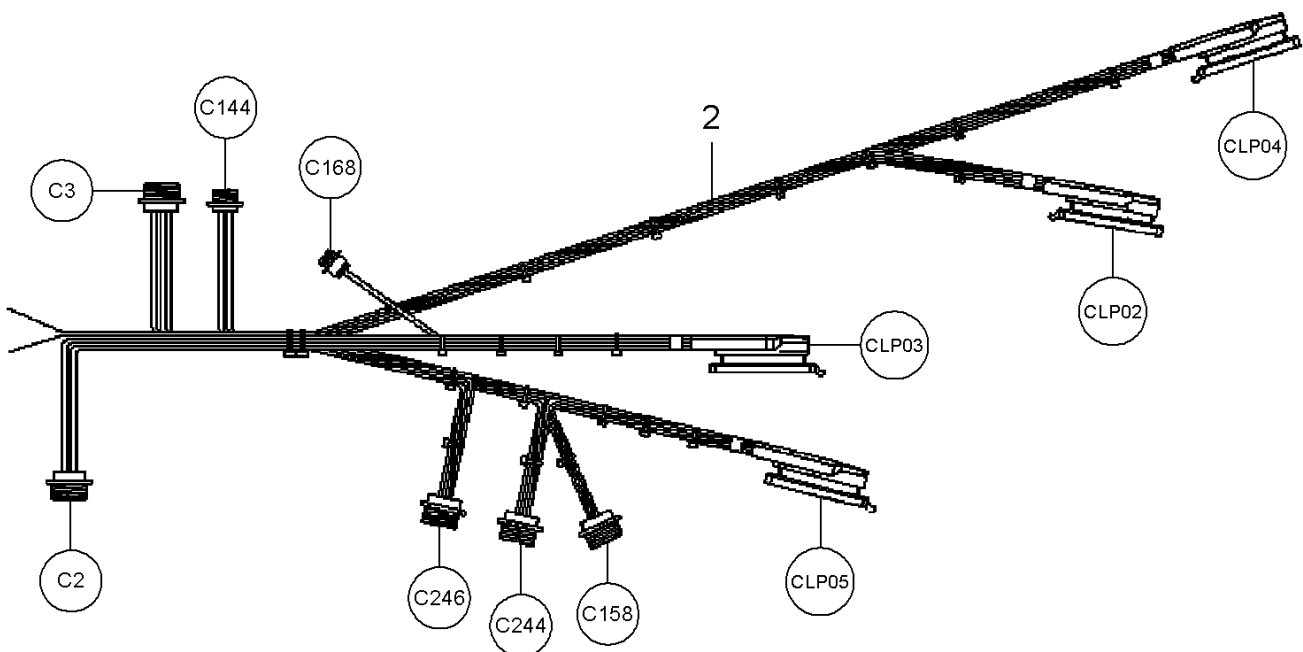
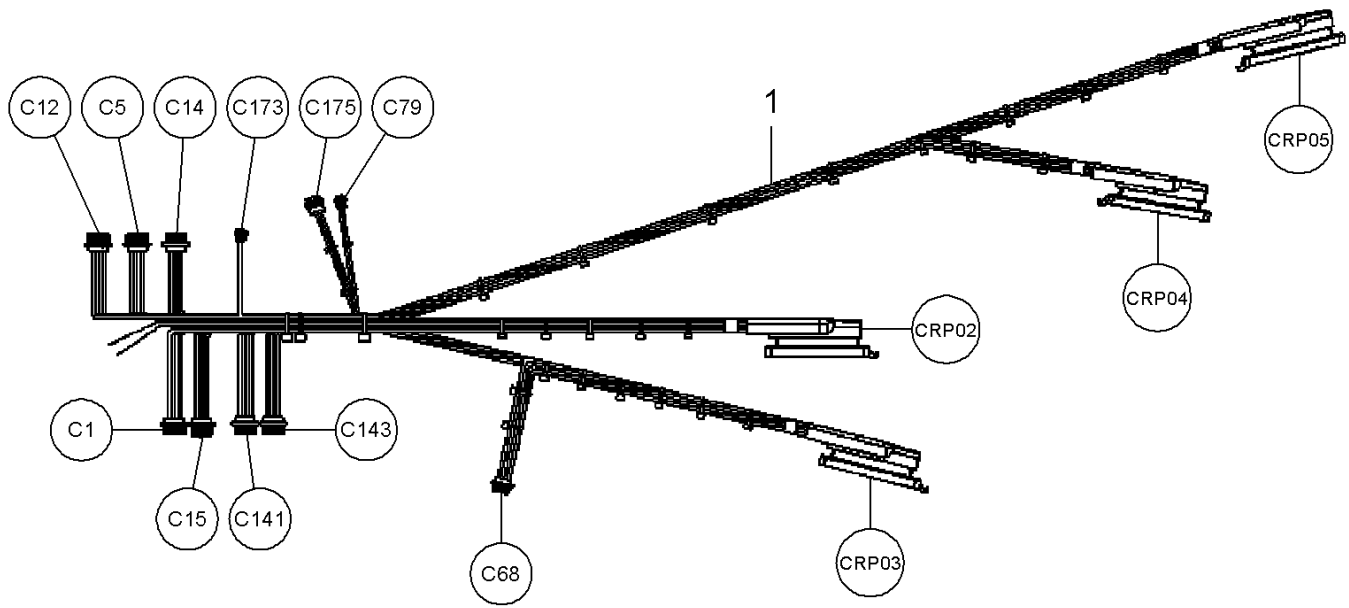
29	D45060094	X CONNECTOR	BORNE.	DOPPELNIPPEL	CONECTOR
30	D45060093	X CONNECTOR	BORNE.	DOPPELNIPPEL	CONECTOR
39	D45010024	X CONNECTOR	BORNE.	DOPPELNIPPEL	CONECTOR
40	D45010026	X CONNECTOR	BORNE.	DOPPELNIPPEL	CONECTOR
41	D45010023	X CONNECTOR	BORNE.	DOPPELNIPPEL	CONECTOR
42	D45010025	X CONNECTOR	BORNE.	DOPPELNIPPEL	CONECTOR
50	D45010013	X INTAKE	PRISE	SAUGROHR	ENTRADA
51	D45010014	X INTAKE	PRISE	SAUGROHR	ENTRADA
52	D28780306	X UNION	RACCORD	VERSCHRAUBUNG	RACOR
52	D45020082	X UNION	RACCORD	VERSCHRAUBUNG	RACOR
52	D45020092	X GASKET	JOINT	FLACHDICHTUNG	JUNTA PLANA
53	D45010018	X INTAKE	PRISE	SAUGROHR	ENTRADA
54	D45010017	X PLUG	BOUCHON	STOPFEN	TAPON
55	D45010020	X INTAKE	PRISE	SAUGROHR	ENTRADA
56	D45010019	X PLUG	BOUCHON	STOPFEN	TAPON
57	D45010007	X INTAKE	PRISE	SAUGROHR	ENTRADA
58	D45010008	X INTAKE	PRISE	SAUGROHR	ENTRADA
59	D45010080	X COVER	COUVERCLE	ABDECKUNG.	CUBIERTA
60	D45010034	X PLUG	BOUCHON	STOPFEN	TAPON
61	D45043800	X HOUSING	CARTER	GEHAEUSE	ALOJAMIENTO
62	D45043900	X HOUSING	CARTER	GEHAEUSE	ALOJAMIENTO

Pos.nr. Pos.No. Pos.nr. No.Pos.	Koder Code Code Code
1	DLR 01
2	DLR 02
3	DLR 03
3	DLR 04
3	DLR 05
3	DLR 06
3	DLR 07
3	DLR 08
3	DVR 01
3	DVR 02
3	DVR 03
3	DVR 04
3	DVR 05
3	DVR 07
3	DVR 09
3	DVR 13
3	DVR 14
3	DVR 19
3	DVR 20
3	DVR 21
3	DVR 22
3	DVR 23
3	DVR 24
3	DVR 37
3	DVR 38
3	HOR 01
3	HOR 04
3	HOR 05
3	HOR 07
3	HOR 08
3	HOR 09
3	HOR 10
3	HOR 11
3	HOR 12
3	HOR 13
3	HOR 14
3	HOR 15
3	HOR 16
3	HOR 17
3	HOR 18
3	HOR 19
3	HOR 20
15	HOR 21
15	HOR 22
3	HOR 23
3	HOR 24
3	HOR 25
3	HOR 26
3	HOR 27
3	HOR 28
3	HOR 29
3	HOR 30
3	HOR 32
3	HOR 32
3	HOR 34
3	HOR 35
3	HOR 36
3	HOR 37
3	HOR 38
4	HOR 39
3	ILR 01
3	ILR 03
3	ILR 04
3	ILR 06
3	ILR 08

Pos.nr. Pos.No. Pos.nr. No.Pos.	Koder Code Code Code
5	DLS 01
6	DLS 02
7	DLS 03
7	DLS 04
7	DLS 05
7	DLS 06
8	DLS 07
8	DLS 08
8	DLS 09
8	DLS 10
8	DLS 11
7	DVS 01
7	DVS 02
6	DVS 03
9	DVS 04
9	DVS 05
7	DVS 06
8	DVS 07
8	DVS 13
8	DVS 16
9	DVS 17
9	DVS 18
8	DVS 20
8	DVS 22
8	DVS 23
8	DVS 24
8	DVS 30
9	HOS 01
10	HOS 02
8	HOS 03
8	HOS 05
8	HOS 06
8	HOS 07
8	HOS 08
8	HOS 09
8	HOS 10
8	HOS 11
8	HOS 12
8	HOS 13
7	HOS 14
6	HOS 15
10	HOS 16
6	HOS 17
11	HOS 18
10	HOS 19
8	HOS 20
8	HOS 21
8	HOS 22
8	HOS 23
12	ILS 03
12	ILS 04
8	ILS 07
8	ILS 08
7	ILS 09

Pos.nr. Pos.No. Pos.nr. No.Pos.	Koder Code Code Code
13	DVD 21
14	HOD 03
14	HOD 05
14	HOD 06
14	HOD 07
14	HOD 08
14	HOD 09
14	HOD 10
14	HOD 11
14	HOD 12
14	HOD 13
14	HOD 14
14	HOD 15
14	HOD 16
14	HOD 18
14	HOD 21
14	HOD 25
14	HOD 26
14	HOD 27
14	HOD 28
14	HOD 29
14	DVD 01
14	DVD 02
14	DVD 03
14	DVD 04
14	DVD 06
14	DVD 07
14	DVD 08
14	DVD 09
14	DVD 18
14	DVD 19

1	D45088800		X RELAY	RELAIS	RELAIS	RELE
2	D45086800		X RELAY	RELAIS	RELAIS	RELE
3	D45070089		X RELAY	RELAIS	RELAIS	RELE
4	D45080024		X RELAY	RELAIS	RELAIS	RELE
5	3387318M1	5 Amp	X FUSE	FUSIBLE	SICHERUNG	FUSIBLE
6	D45010073	20 Amp	X FUSE	FUSIBLE	SICHERUNG	FUSIBLE
7	1695966M1	15 Amp	X FUSE	FUSIBLE	SICHERUNG	FUSIBLE
8	3387318M1	5 Amp	X FUSE	FUSIBLE	SICHERUNG	FUSIBLE
9*	D45010075	30 Amp	X FUSE	FUSIBLE	SICHERUNG	FUSIBLE
10	1695939M1	10 Amp	X FUSE	FUSIBLE	SICHERUNG	FUSIBLE
11	3387322M1	25 Amp	X FUSE	FUSIBLE	SICHERUNG	FUSIBLE
12	3387319M1	7,5 Amp	X FUSE	FUSIBLE	SICHERUNG	FUSIBLE
13	D44900589	STPS 12045TV	X DIODE	DIODE	DIODE	DIODO
14*	D45010094		X DIODE	DIODE	DIODE	DIODO
15	D45087700		X RELAY	RELAIS	RELAIS	RELE



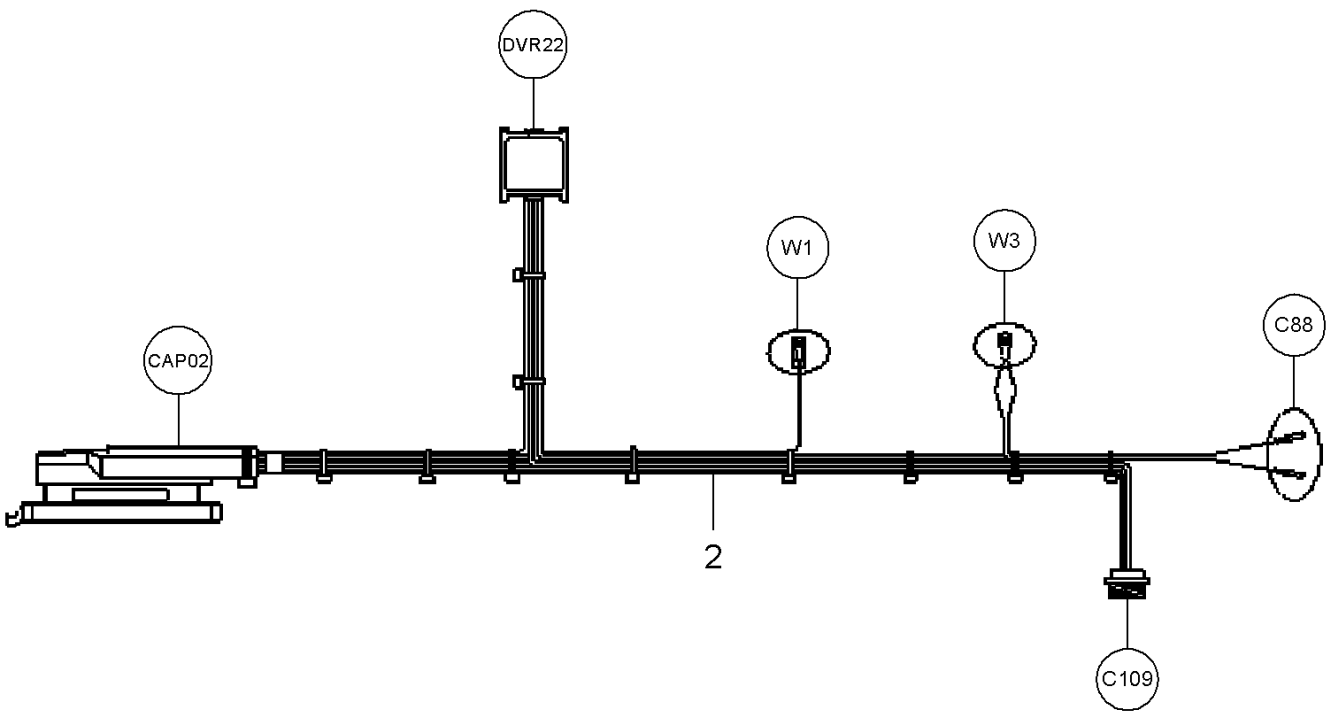
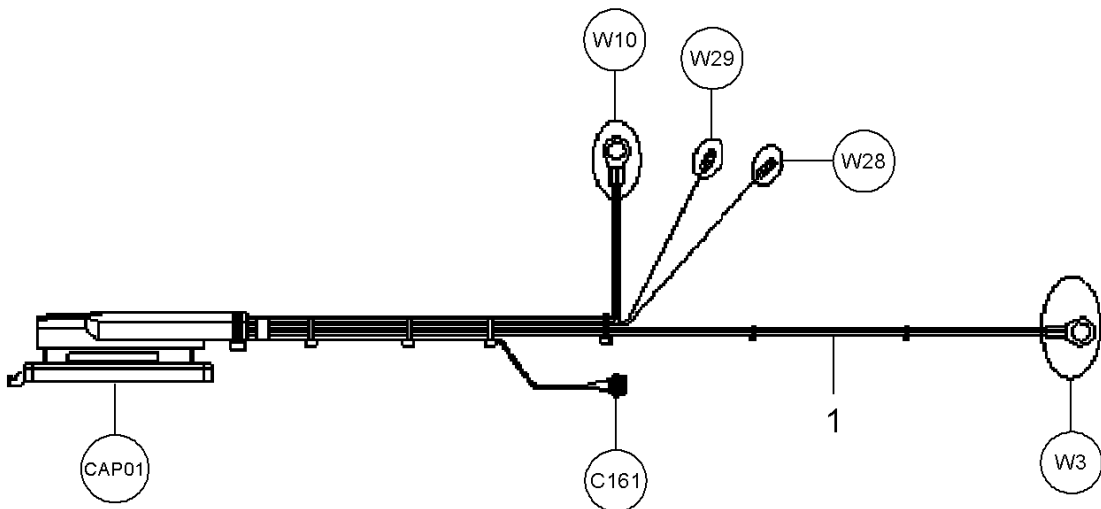
D-AFYJ-001-A

1*D28782541	[AB]	1 HARNESS	FAISCEAU	KABELBAUM	MAZO CABLES
2*D28782542	[AC]	1 HARNESS	FAISCEAU	KABELBAUM	MAZO CABLES

[A] THE CONNECTOR DESIGNATIONS REFER TO THE ELECTRICAL DOCUMENTATION OF THE MACHINE
LES DESIGNATIONS DES CONNECTEURS ELEC SE REFERENT AU DOSSIER DE DOCUMENTATION ELEC DE LA MACHINE
DIE STECKERBEZEICHUNGEN BEZIEHEN SICH AUF DIE ELEKTRISCHE DOKUMENTATION DER MASCHINE
LAS DESIGNACIONES DE LOS CONECTORES ELEC REFIEREN AL EXPEDIENTE DE DOCUMENTACIÓN ELEC DE LA MÁQUINA

[B] RIGHT JOB COMPUTER
ORDINATEUR DROIT
LINKS JOBCOMPUTER
COMPUTADOR DERECHO

[C] LEFT JOB COMPUTER
ORDINATEUR GAUCHE
LINKS JOBCOMPUTER
COMPUTADOR IZQUIERDO



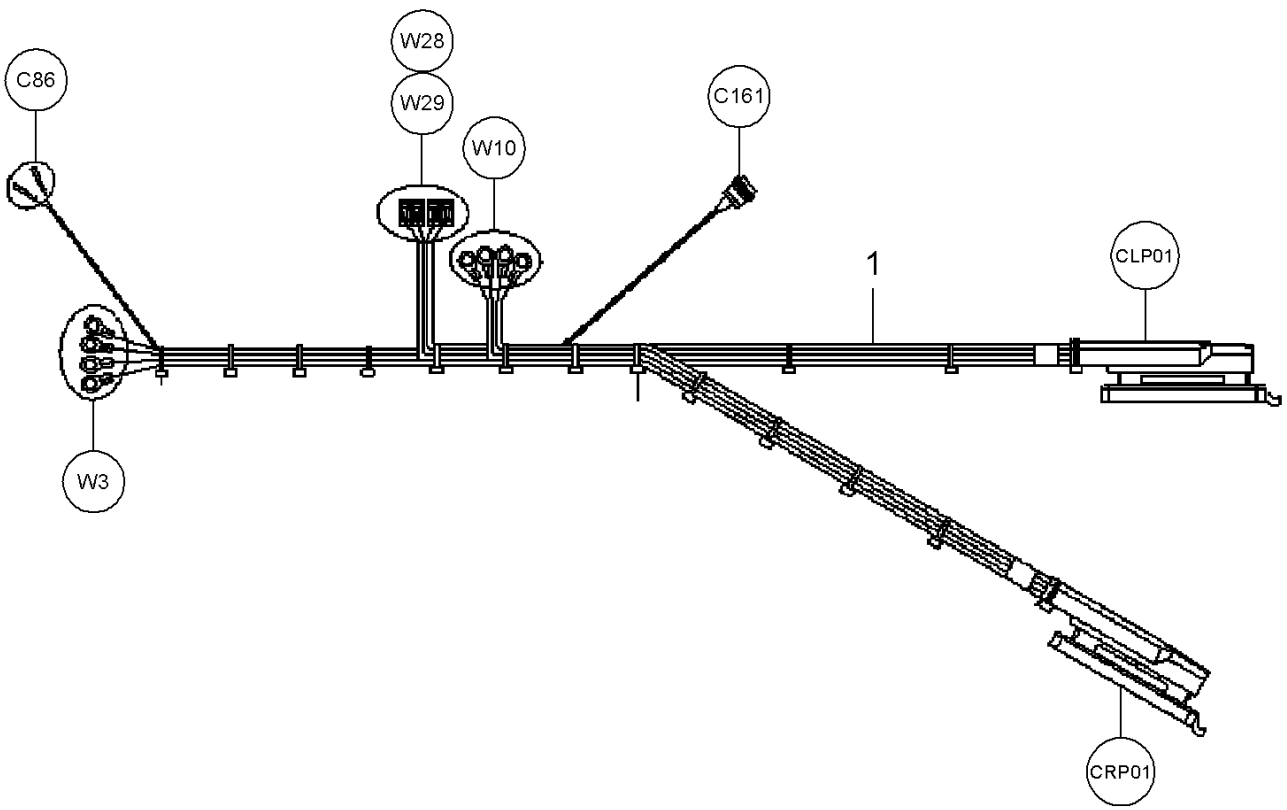
D-AFYJ-002-A

1*D28782703	[AB]	1 HARNESS	FAISCEAU	KABELBAUM	MAZO CABLES
2*D28782704	[AC]	1 HARNESS	FAISCEAU	KABELBAUM	MAZO CABLES

[A] THE CONNECTOR DESIGNATIONS REFER TO THE ELECTRICAL DOCUMENTATION OF THE MACHINE
LES DESIGNATIONS DES CONNECTEURS ELEC SE REFERENT AU DOSSIER DE DOCUMENTATION ELEC DE LA
MACHINE
DIE STECKERBEZEICHUNGEN BEZIEHEN SICH AUF DIE ELEKTRISCHE DOKUMENTATION DER MASCHINE
LAS DESIGNACIONES DE LOS CONECTORES ELEC REFIEREN AL EXPEDIENTE DE DOCUMENTACIÓN ELEC DE
LA MÁQUINA

[B] AL COMPUTER - IN
AL ORDINATEUR - SUPERIEUR
AL COMPUTER - EIN
AL COMPUTADOR - SUPERIOR

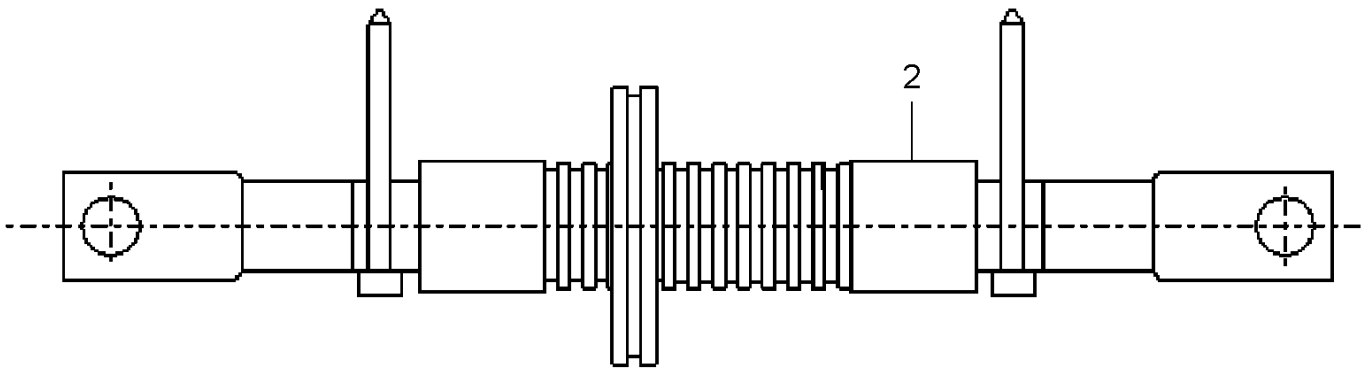
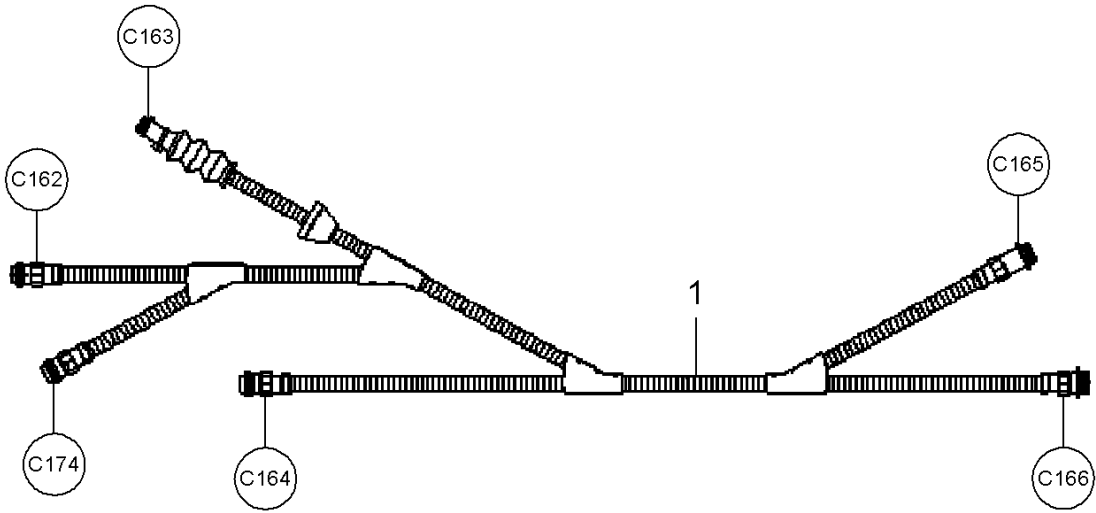
[C] AL COMPUTER - OUT
AL ORDINATEUR - INFERIEUR
AL COMPUTER - AUS
AL COMPUTADOR - INFERIOR



1*D28782701 [AB] 1 HARNESS FAISCEAU KABELBAUM MAZO CABLES

[A] THE CONNECTOR DESIGNATIONS REFER TO THE ELECTRICAL DOCUMENTATION OF THE MACHINE
LES DESIGNATIONS DES CONNECTEURS ELEC SE REFERENT AU DOSSIER DE DOCUMENTATION ELEC DE LA
MACHINE
DIE STECKERBEZEICHUNGEN BEZIEHEN SICH AUF DIE ELEKTRISCHE DOKUMENTATION DER MASCHINE
LAS DESIGNACIONES DE LOS CONECTORES ELEC REFIEREN AL EXPEDIENTE DE DOCUMENTACIÓN ELEC DE
LA MÁQUINA

[B] FEED SUPPLY
ALIMENTATION
ERNAHRUNG
ALIMENTACION

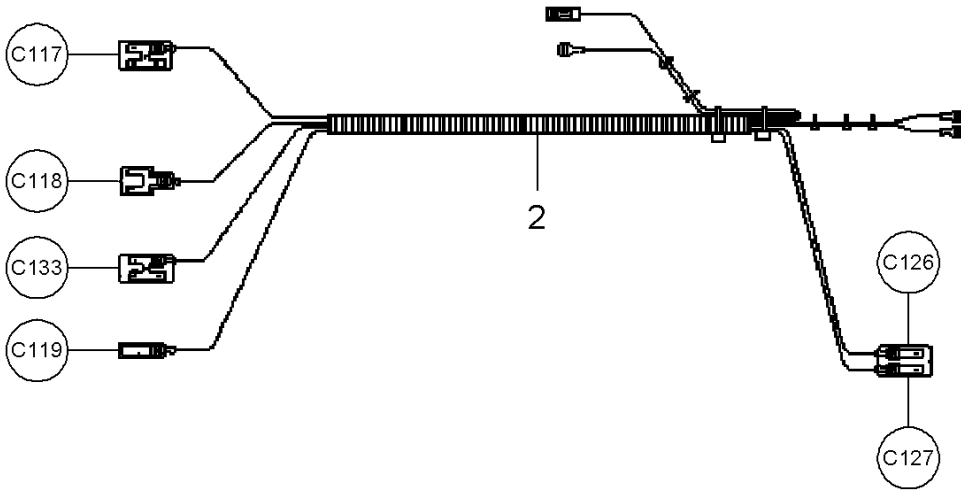
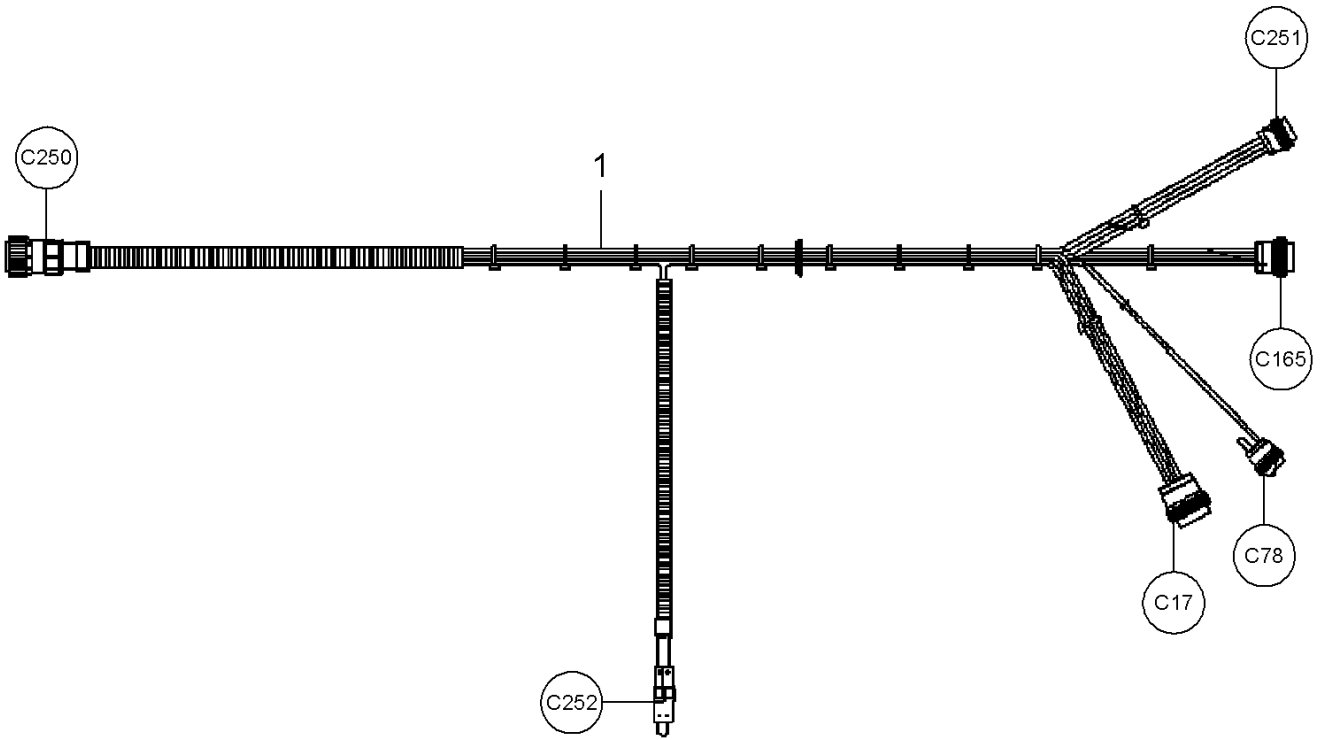


1*D28781584	[AB]	1 HARNESS	FAISCEAU	KABELBAUM	MAZO CABLES
2*D28782422	[AC]	1 HARNESS	FAISCEAU	KABELBAUM	MAZO CABLES

[A] THE CONNECTOR DESIGNATIONS REFER TO THE ELECTRICAL DOCUMENTATION OF THE MACHINE
LES DESIGNATIONS DES CONNECTEURS ELEC SE REFERENT AU DOSSIER DE DOCUMENTATION ELEC DE LA
MACHINE
DIE STECKERBEZEICHUNGEN BEZIEHEN SICH AUF DIE ELEKTRISCHE DOKUMENTATION DER MASCHINE
LAS DESIGNACIONES DE LOS CONECTORES ELEC REFIEREN AL EXPEDIENTE DE DOCUMENTACIÓN ELEC DE
LA MÁQUINA

[B] INTERIOR CAB
CABINE INTERIEUR
KABINE INWENDIG
CABINA INTERIOR

[C] CARRIER
PORTE SATELLITES
TRAEGER
PORTADOR

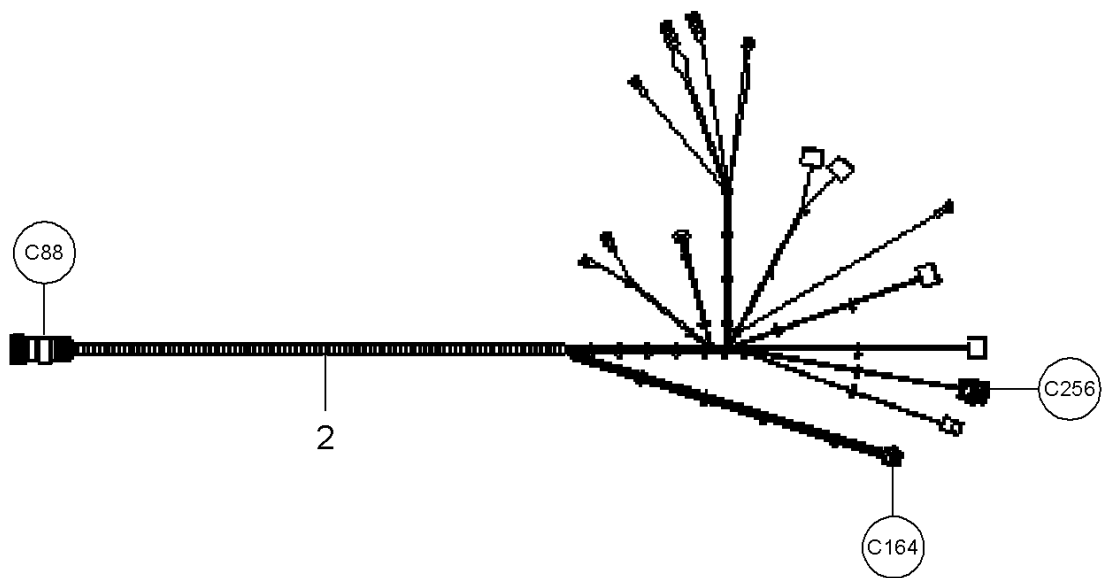
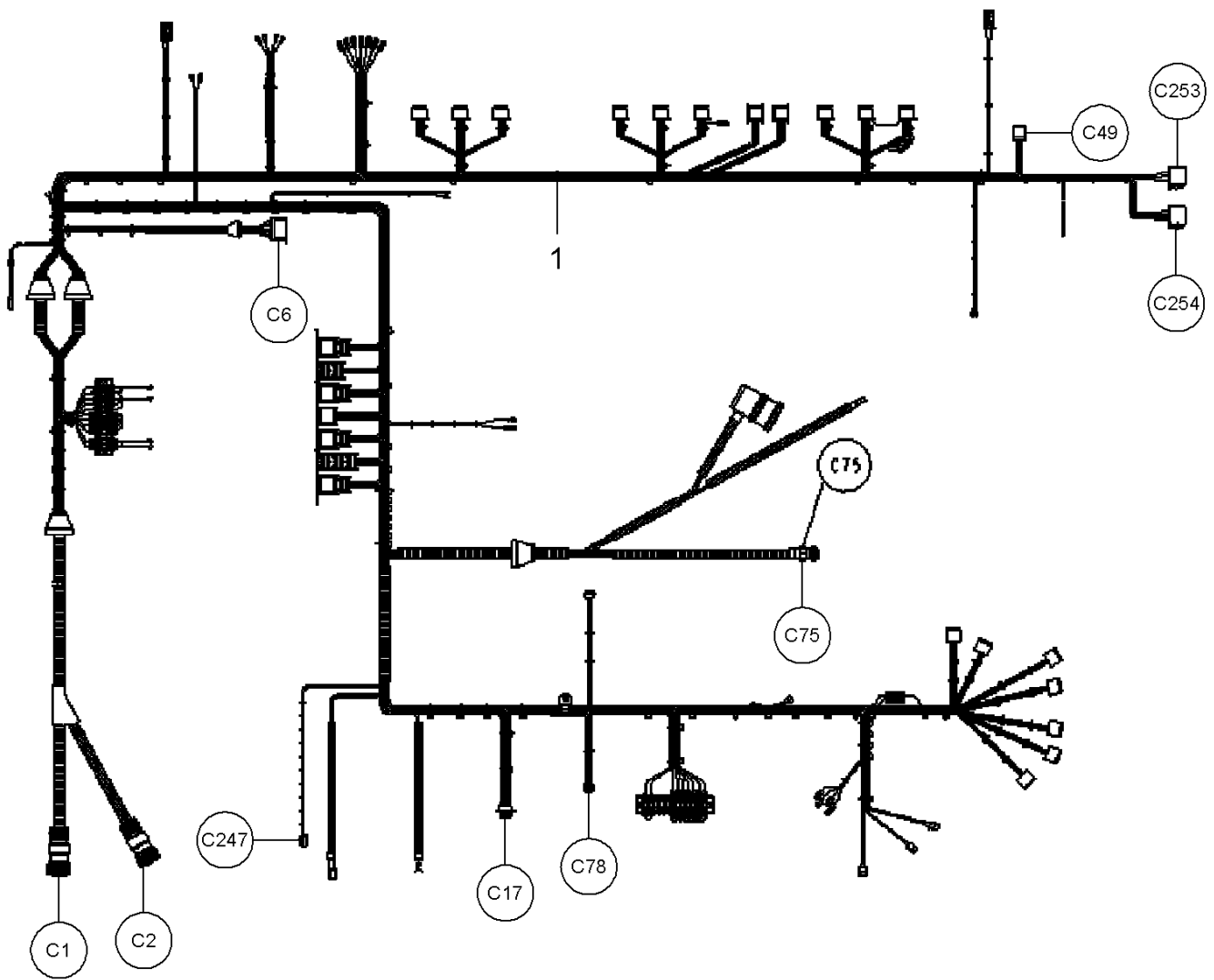


1*D28782539	[AB]	1 HARNESS	FAISCEAU	KABELBAUM	MAZO CABLES
2*D28781618	[AC]	1 HARNESS	FAISCEAU	KABELBAUM	MAZO CABLES

[A] THE CONNECTOR DESIGNATIONS REFER TO THE ELECTRICAL DOCUMENTATION OF THE MACHINE
LES DESIGNATIONS DES CONNECTEURS ELEC SE REFERENT AU DOSSIER DE DOCUMENTATION ELEC DE LA
MACHINE
DIE STECKERBEZEICHUNGEN BEZIEHEN SICH AUF DIE ELEKTRISCHE DOKUMENTATION DER MASCHINE
LAS DESIGNACIONES DE LOS CONECTORES ELEC REFIEREN AL EXPEDIENTE DE DOCUMENTACIÓN ELEC DE
LA MÁQUINA

[B] ARM REST
ACCOUDOIR
ARMLEHNE
BRAZO

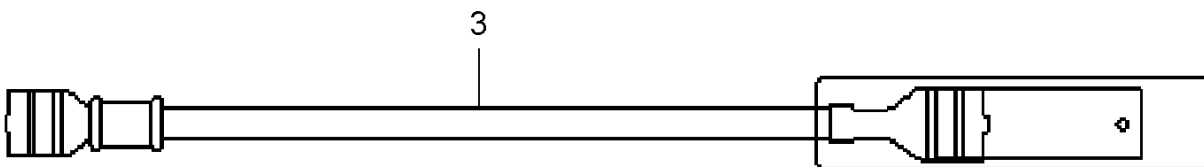
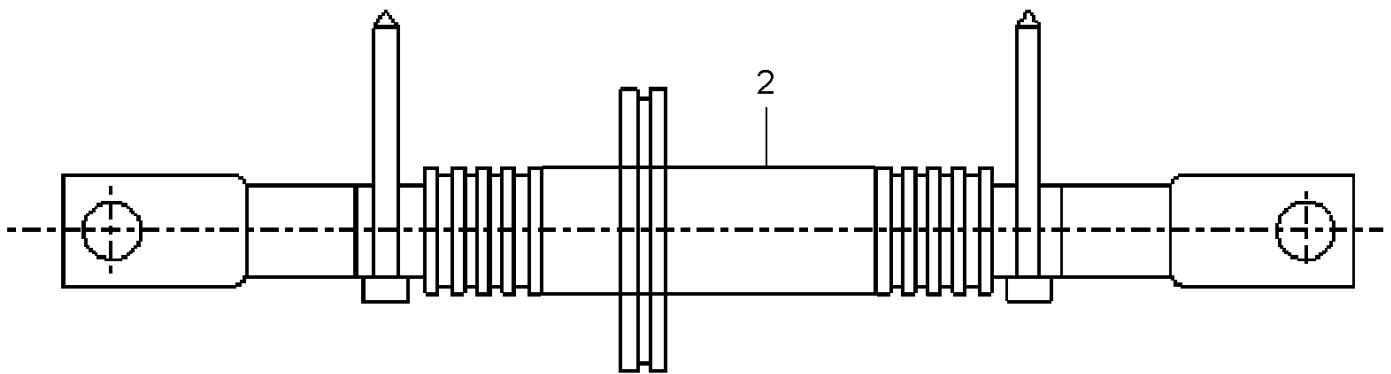
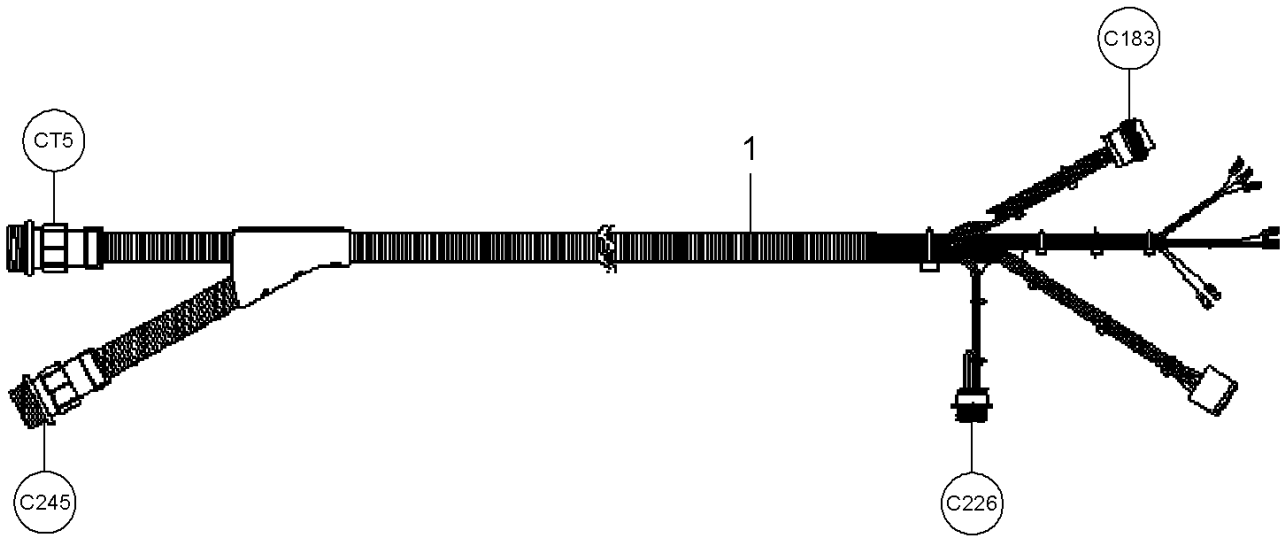
[C] TILT SENSOR
SECURITE ANTI-RENVERSEMENT
KIPPWINKELSENSOR
SEGURIDAD ANTI-INVERSION



D-AFYK-003-A

1*D28782538	[A]	1 HARNESS	FAISCEAU	KABELBAUM	MAZO CABLES
2*D28273911	[A]	1 HARNESS	FAISCEAU	KABELBAUM	MAZO CABLES

[A] THE CONNECTOR DESIGNATIONS REFER TO THE ELECTRICAL DOCUMENTATION OF THE MACHINE
LES DESIGNATIONS DES CONNECTEURS ELEC SE REFERENT AU DOSSIER DE DOCUMENTATION ELEC DE LA
MACHINE
DIE STECKERBEZEICHUNGEN BEZIEHEN SICH AUF DIE ELEKTRISCHE DOKUMENTATION DER MASCHINE
LAS DESIGNACIONES DE LOS CONECTORES ELEC REFIEREN AL EXPEDIENTE DE DOCUMENTACIÓN ELEC DE
LA MÁQUINA



D-AFYK-004-A

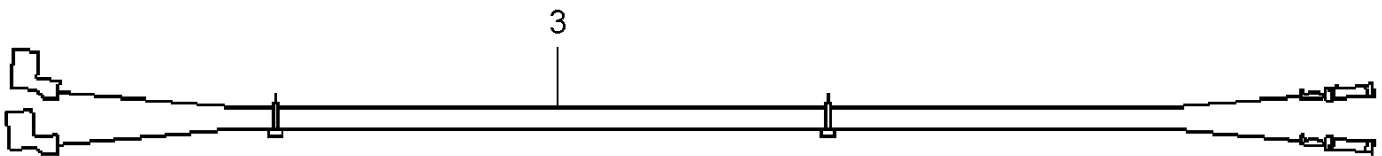
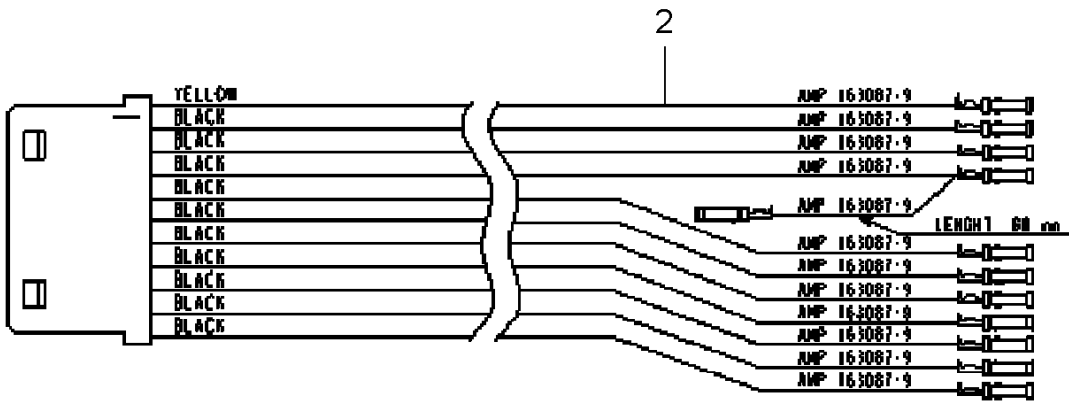
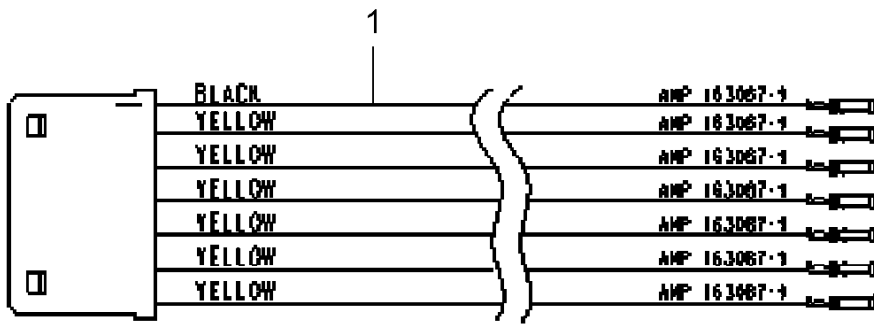
1*D28785864	[AB]	1 HARNESS	FAISCEAU	KABELBAUM	MAZO CABLES
2*D28782931	[AC]	1 HARNESS	FAISCEAU	KABELBAUM	MAZO CABLES
3*D28788331	[AD]	1 HARNESS	FAISCEAU	KABELBAUM	MAZO CABLES

[A] THE CONNECTOR DESIGNATIONS REFER TO THE ELECTRICAL DOCUMENTATION OF THE MACHINE
LES DESIGNATIONS DES CONNECTEURS ELEC SE REFERENT AU DOSSIER DE DOCUMENTATION ELEC DE LA MACHINE
DIE STECKERBEZEICHUNGEN BEZIEHEN SICH AUF DIE ELEKTRISCHE DOKUMENTATION DER MASCHINE
LAS DESIGNACIONES DE LOS CONECTORES ELEC REFIEREN AL EXPEDIENTE DE DOCUMENTACIÓN ELEC DE LA MÁQUINA

[B] STEERING COLUMN
COLONNE DE DIRECTION
LENKAEULE
ARBOL DIRECCION

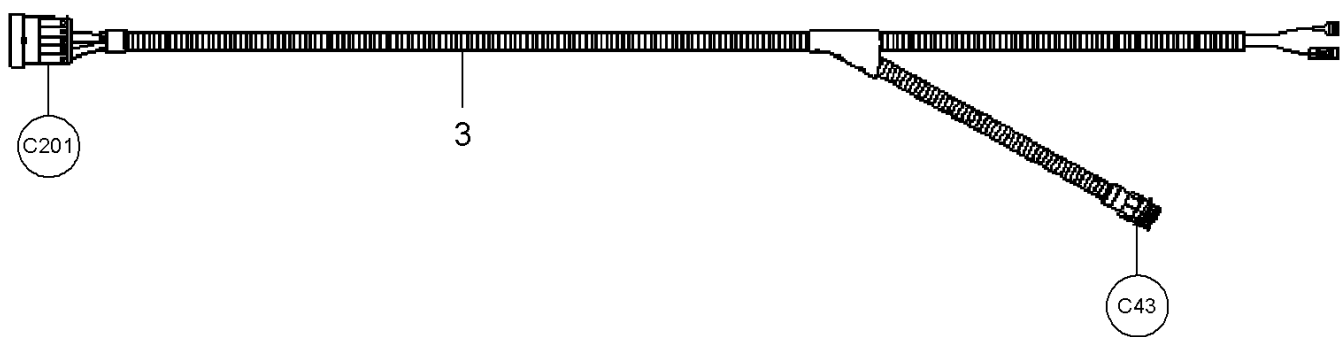
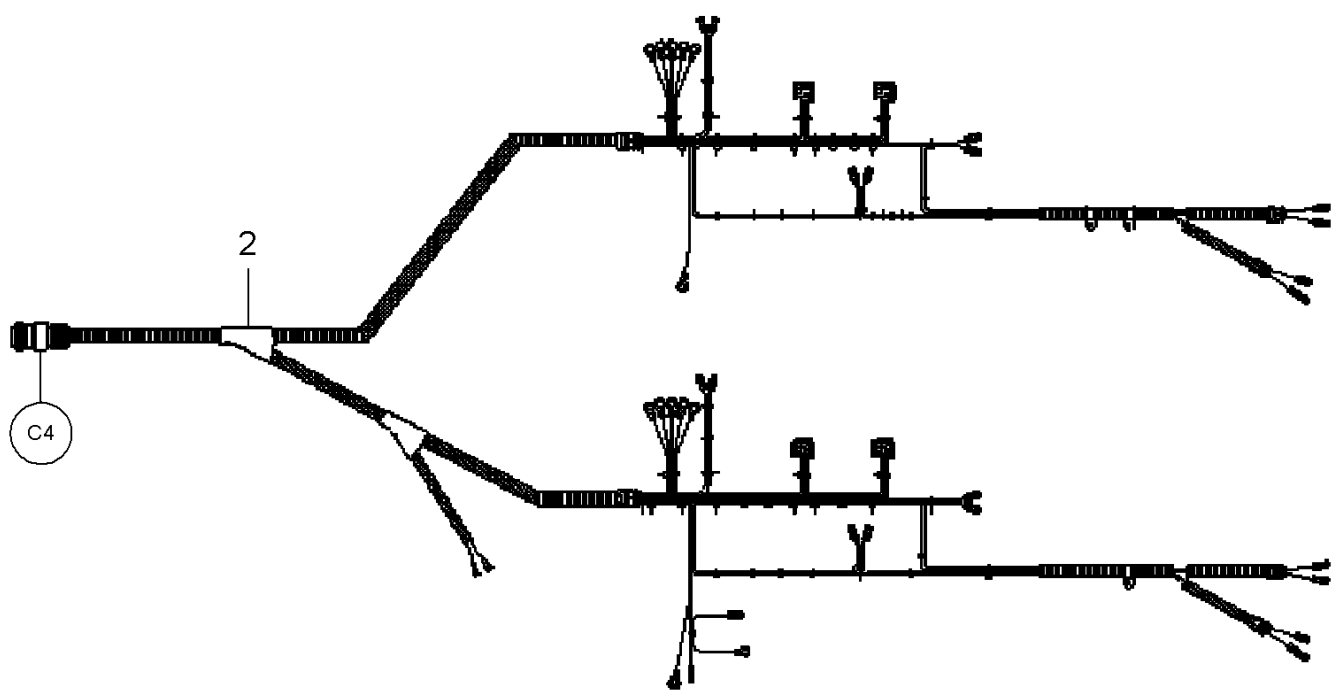
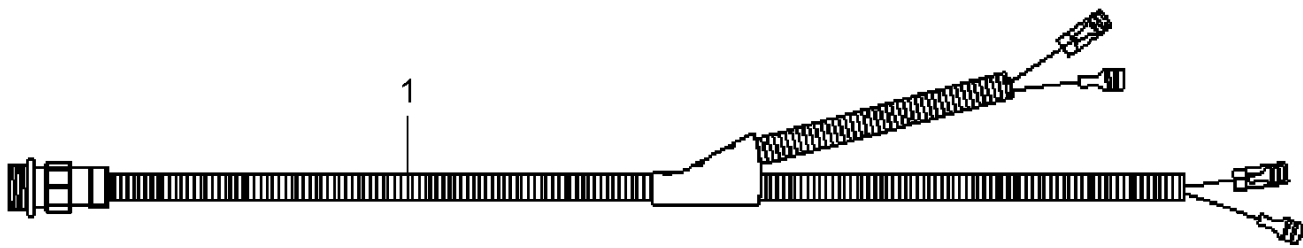
[C] GROUND CABLE
CABLE DE MASSE
MASSEKABEL
CABLE DE MASA

[D] ADAPTER
ADAPTATEUR
ADAPTER
ADAPTADOR



1*D44900817	[A]	1 HARNESS	FAISCEAU	KABELBAUM	MAZO CABLES
2*D44900818	[A]	1 HARNESS	FAISCEAU	KABELBAUM	MAZO CABLES
3*D44900821	[A]	1 HARNESS	FAISCEAU	KABELBAUM	MAZO CABLES

[A] THE CONNECTOR DESIGNATIONS REFER TO THE ELECTRICAL DOCUMENTATION OF THE MACHINE
LES DESIGNATIONS DES CONNECTEURS ELEC SE REFERENT AU DOSSIER DE DOCUMENTATION ELEC DE LA
MACHINE
DIE STECKERBEZEICHUNGEN BEZIEHEN SICH AUF DIE ELEKTRISCHE DOKUMENTATION DER MASCHINE
LAS DESIGNACIONES DE LOS CONECTORES ELEC REFIEREN AL EXPEDIENTE DE DOCUMENTACIÓN ELEC DE
LA MÁQUINA



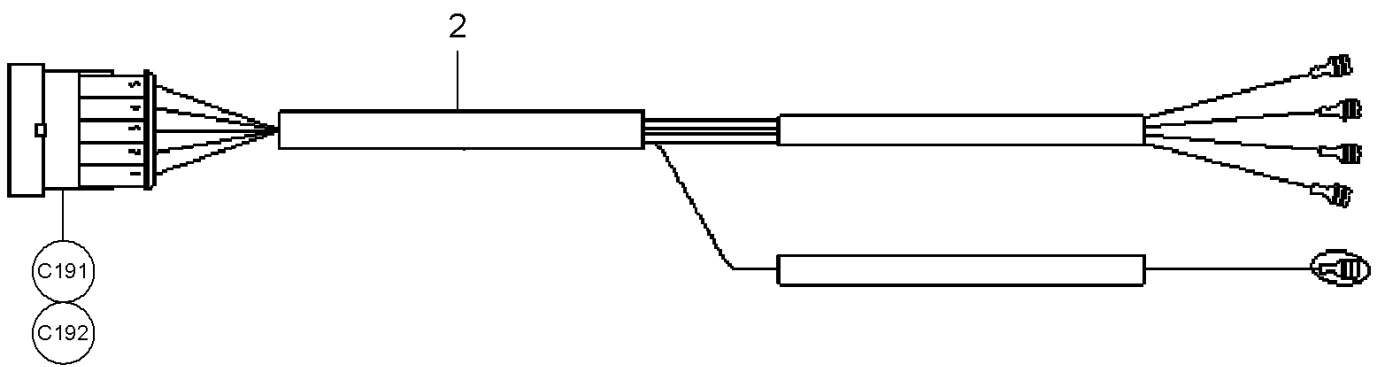
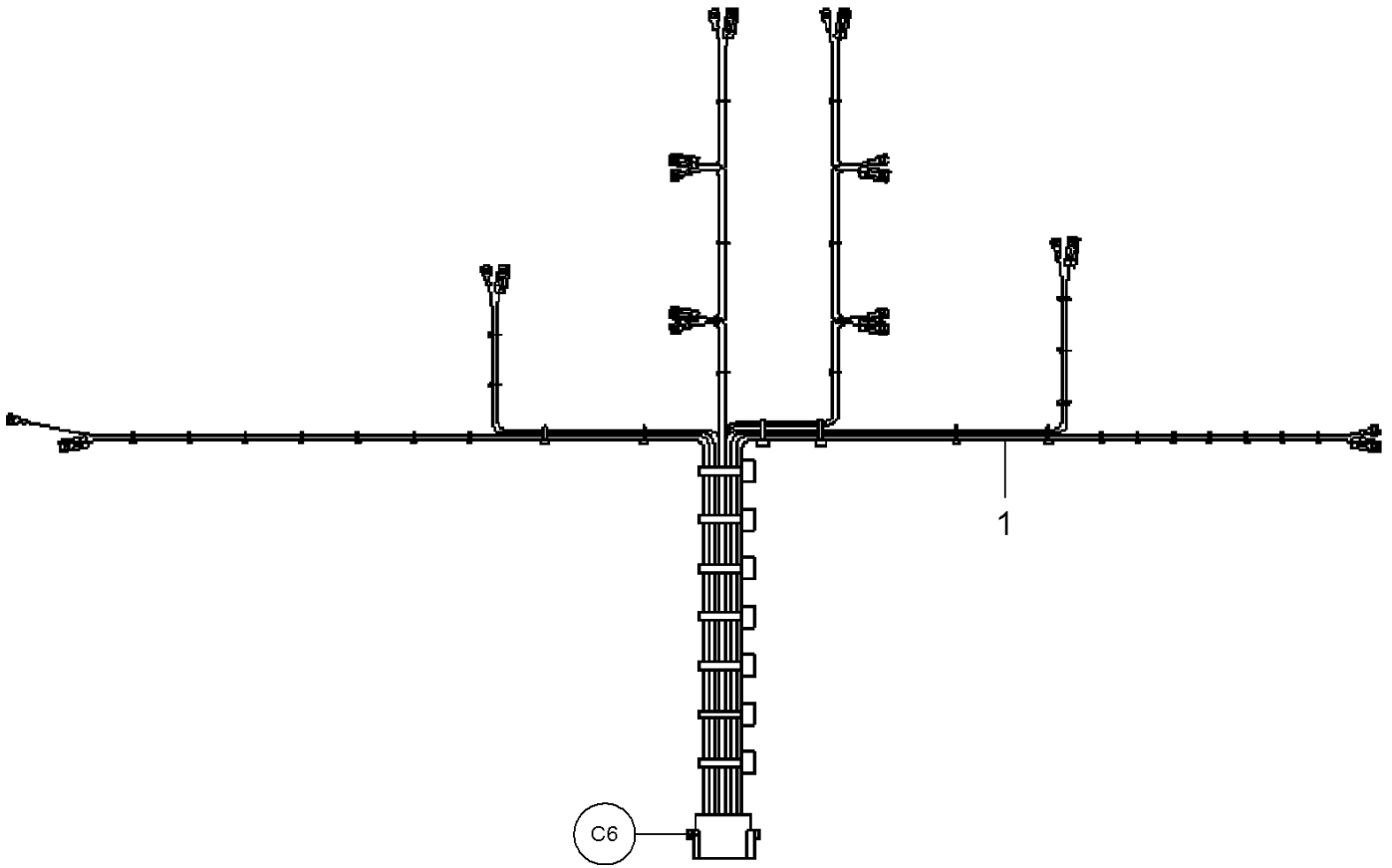
1*D28785578	[AB]	1 HARNESS	FAISCEAU	KABELBAUM	MAZO CABLES
2*D28782408	[AC]	1 HARNESS	FAISCEAU	KABELBAUM	MAZO CABLES
3*D28786063	[AD]	1 HARNESS	FAISCEAU	KABELBAUM	MAZO CABLES

[A] THE CONNECTOR DESIGNATIONS REFER TO THE ELECTRICAL DOCUMENTATION OF THE MACHINE
LES DESIGNATIONS DES CONNECTEURS ELEC SE REFERENT AU DOSSIER DE DOCUMENTATION ELEC DE LA MACHINE
DIE STECKERBEZEICHUNGEN BEZIEHEN SICH AUF DIE ELEKTRISCHE DOKUMENTATION DER MASCHINE
LAS DESIGNACIONES DE LOS CONECTORES ELEC REFIEREN AL EXPEDIENTE DE DOCUMENTACIÓN ELEC DE LA MÁQUINA

[B] REVERSING LAMP
PHARE DE RECOL
RUCKFAHRLEUCHTE
LUZ DE MARCHA ATRAS

[C] WAY LIGHTS
PHARES ROUTE
FAHRSCHEINWERFER
FARROS DE CATRETERA

[D] MOISTER METER
INDICATEUR D'HUMIDITE
FEUCHTEMESSER
MEDITOR DE HUMEDAD

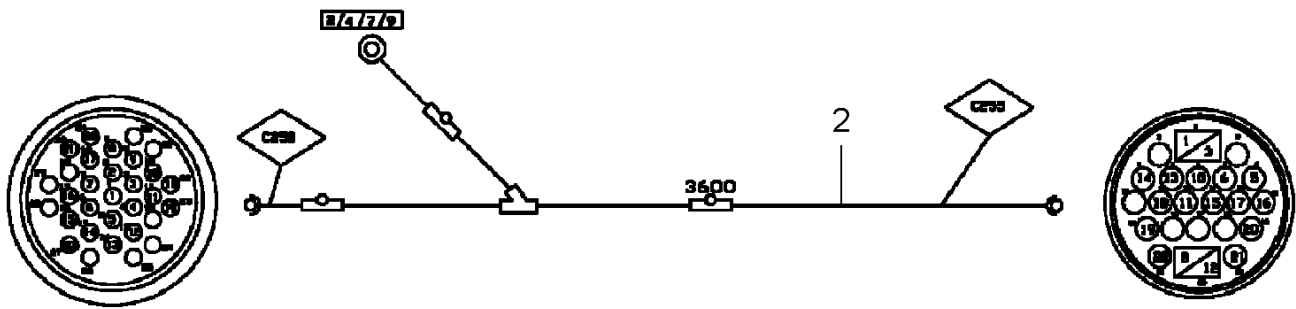
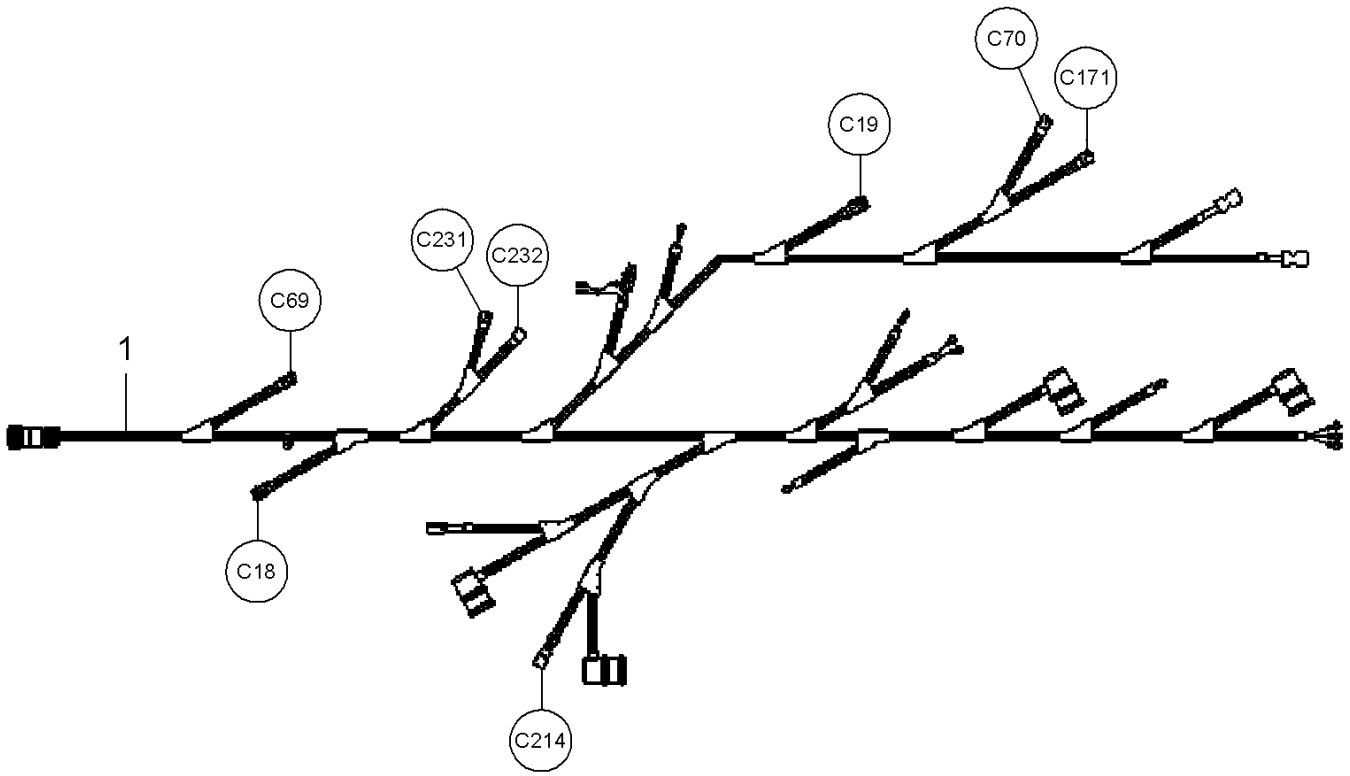


1*D28787226	[AB]	1 HARNESS	FAISCEAU	KABELBAUM	MAZO CABLES
2*D28787124	[AC]	1 HARNESS	FAISCEAU	KABELBAUM	MAZO CABLES

[A] THE CONNECTOR DESIGNATIONS REFER TO THE ELECTRICAL DOCUMENTATION OF THE MACHINE
LES DESIGNATIONS DES CONNECTEURS ELEC SE REFERENT AU DOSSIER DE DOCUMENTATION ELEC DE LA MACHINE
DIE STECKERBEZEICHUNGEN BEZIEHEN SICH AUF DIE ELEKTRISCHE DOKUMENTATION DER MASCHINE
LAS DESIGNACIONES DE LOS CONECTORES ELEC REFIEREN AL EXPEDIENTE DE DOCUMENTACIÓN ELEC DE LA MÁQUINA

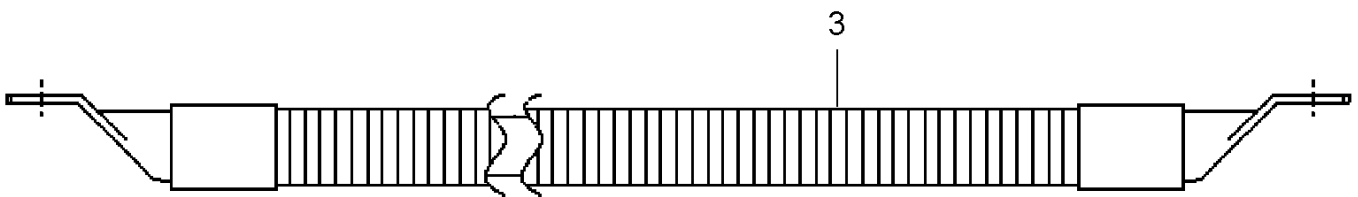
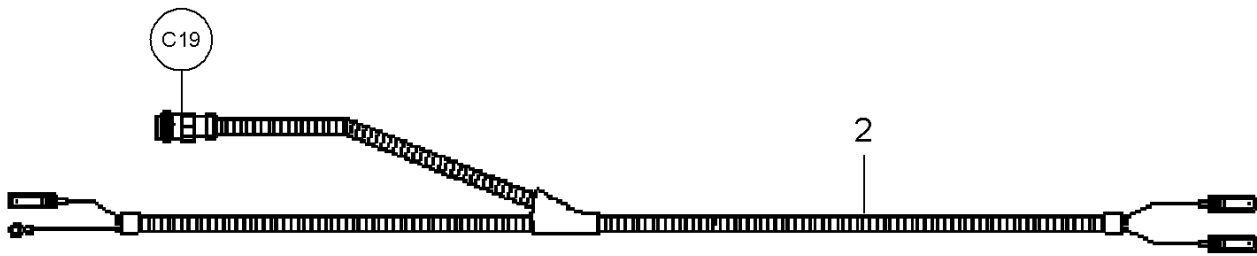
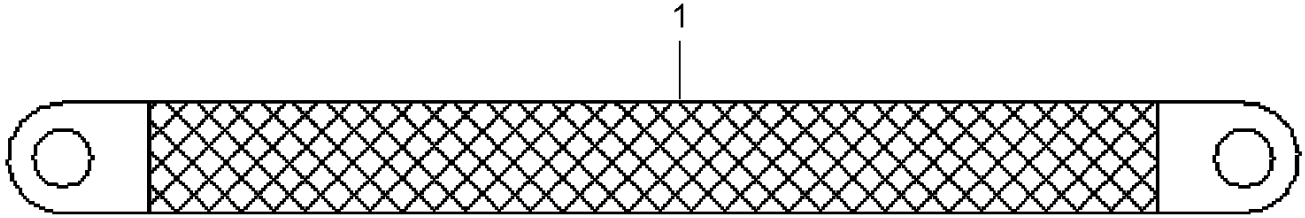
[B] WORK LIGHT
PHARE DE TRAVAIL
ARBEITSLICHT
FARO DE TRABAJO

[C] REAR LIGHT
FEU ARRIERE
LICHT HINTEN
LUZ TRASERO



1*D28787259	[A]	1 HARNESS	FAISCEAU	KABELBAUM	MAZO CABLES
2*D28273880	[A]	1 HARNESS	FAISCEAU	KABELBAUM	MAZO CABLES

[A] THE CONNECTOR DESIGNATIONS REFER TO THE ELECTRICAL DOCUMENTATION OF THE MACHINE
LES DESIGNATIONS DES CONNECTEURS ELEC SE REFERENT AU DOSSIER DE DOCUMENTATION ELEC DE LA
MACHINE
DIE STECKERBEZEICHUNGEN BEZIEHEN SICH AUF DIE ELEKTRISCHE DOKUMENTATION DER MASCHINE
LAS DESIGNACIONES DE LOS CONECTORES ELEC REFIEREN AL EXPEDIENTE DE DOCUMENTACIÓN ELEC DE
LA MÁQUINA



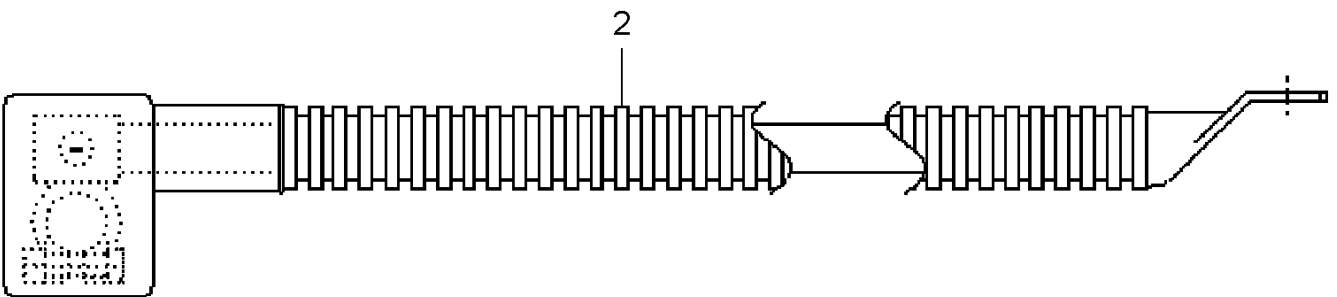
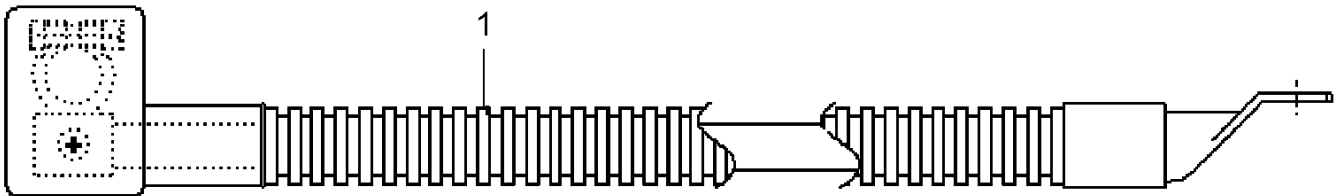
1*D28760642	[AB]	1 EARTH STRAP	FIL DE MASSE	MASSELEITUNG	CABLE TIERRA
2*D28781363	[AC]	1 HARNESS	FAISCEAU	KABELBAUM	MAZO CABLES
3*D28785949	[AD]	1 CABLE	CABLE	KABEL	CABLE

[A] THE CONNECTOR DESIGNATIONS REFER TO THE ELECTRICAL DOCUMENTATION OF THE MACHINE
LES DESIGNATIONS DES CONNECTEURS ELEC SE REFERENT AU DOSSIER DE DOCUMENTATION ELEC DE LA MACHINE
DIE STECKERBEZEICHUNGEN BEZIEHEN SICH AUF DIE ELEKTRISCHE DOKUMENTATION DER MASCHINE
LAS DESIGNACIONES DE LOS CONECTORES ELEC REFIEREN AL EXPEDIENTE DE DOCUMENTACIÓN ELEC DE LA MÁQUINA

[B] GROUND CABLE
CABLE DE MASSE
MASSEKABEL
CABLE DE MASA

[C] AIR CONDITIONED
AIR CONDITIONNE
KLIMAAANLAGE
AIRE ACONDICIONADO

[D] STARTER CABLE
CABLE DEMARREUR
ANLASSKABEL
CABLE MOTOR DE ARRANQUE

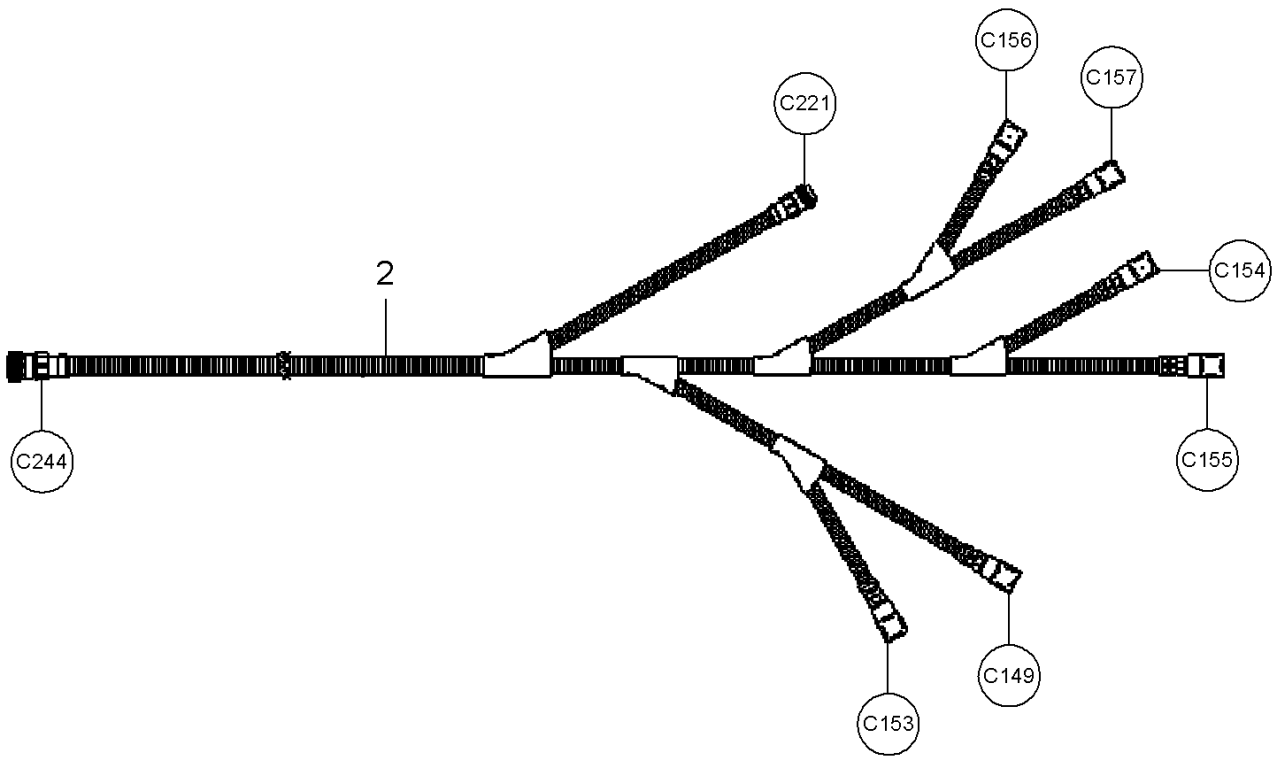
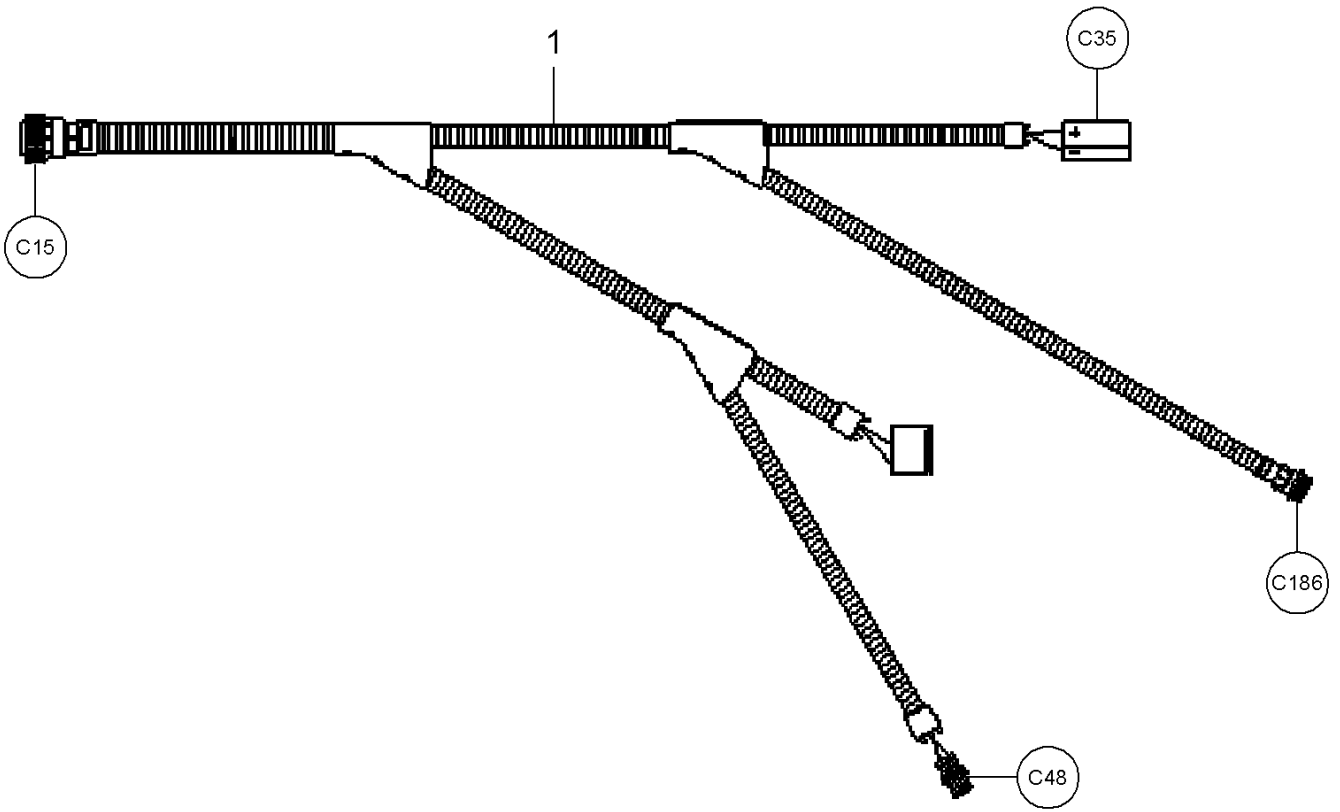


1*D28781896	[AB]	1 CABLE	CABLE	KABEL	CABLE
2*D28781929	[AC]	1 CABLE	CABLE	KABEL	CABLE

[A] THE CONNECTOR DESIGNATIONS REFER TO THE ELECTRICAL DOCUMENTATION OF THE MACHINE
LES DESIGNATIONS DES CONNECTEURS ELEC SE REFERENT AU DOSSIER DE DOCUMENTATION ELEC DE LA MACHINE
DIE STECKERBEZEICHUNGEN BEZIEHEN SICH AUF DIE ELEKTRISCHE DOKUMENTATION DER MASCHINE
LAS DESIGNACIONES DE LOS CONECTORES ELEC REFIEREN AL EXPEDIENTE DE DOCUMENTACIÓN ELEC DE LA MÁQUINA

[B] MAIN SWITCH CABLE
CABLE POUR INTERRUPTEUR PRINCIPAL
HAUPTSCHALTERKABEL
CABLE PARA INTERRUPTOR PRINCIPAL

[C] BATTERY CABLE
CABLE DE BATTERIE
BATTERIEKABEL
CABLE DE BATERIA



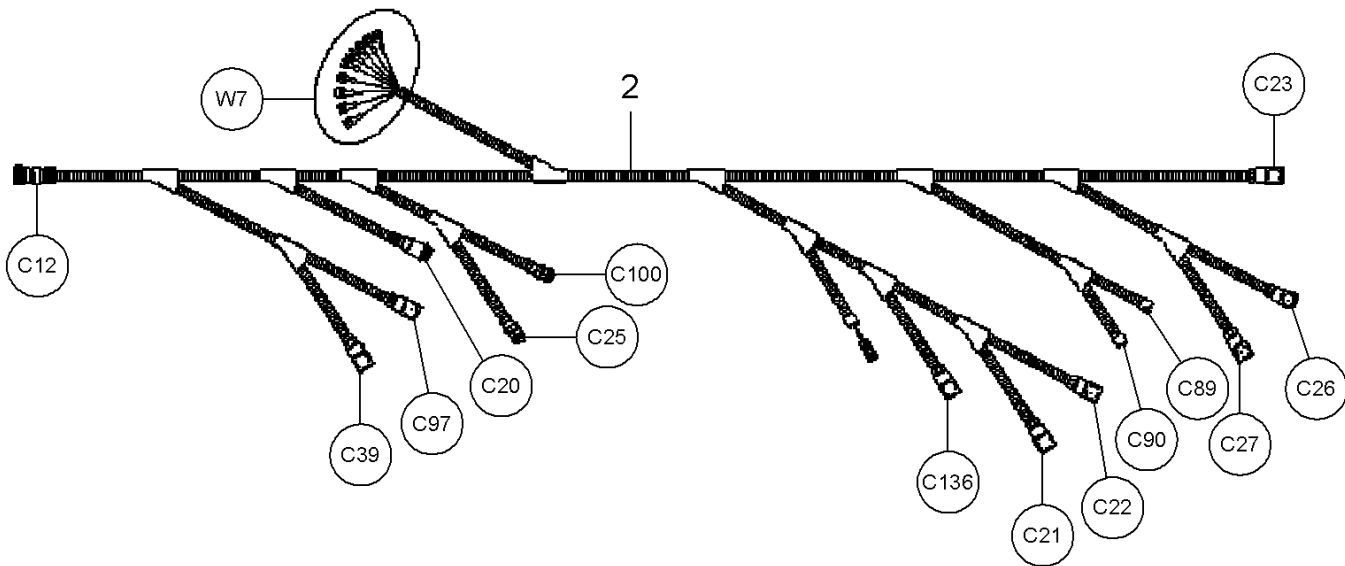
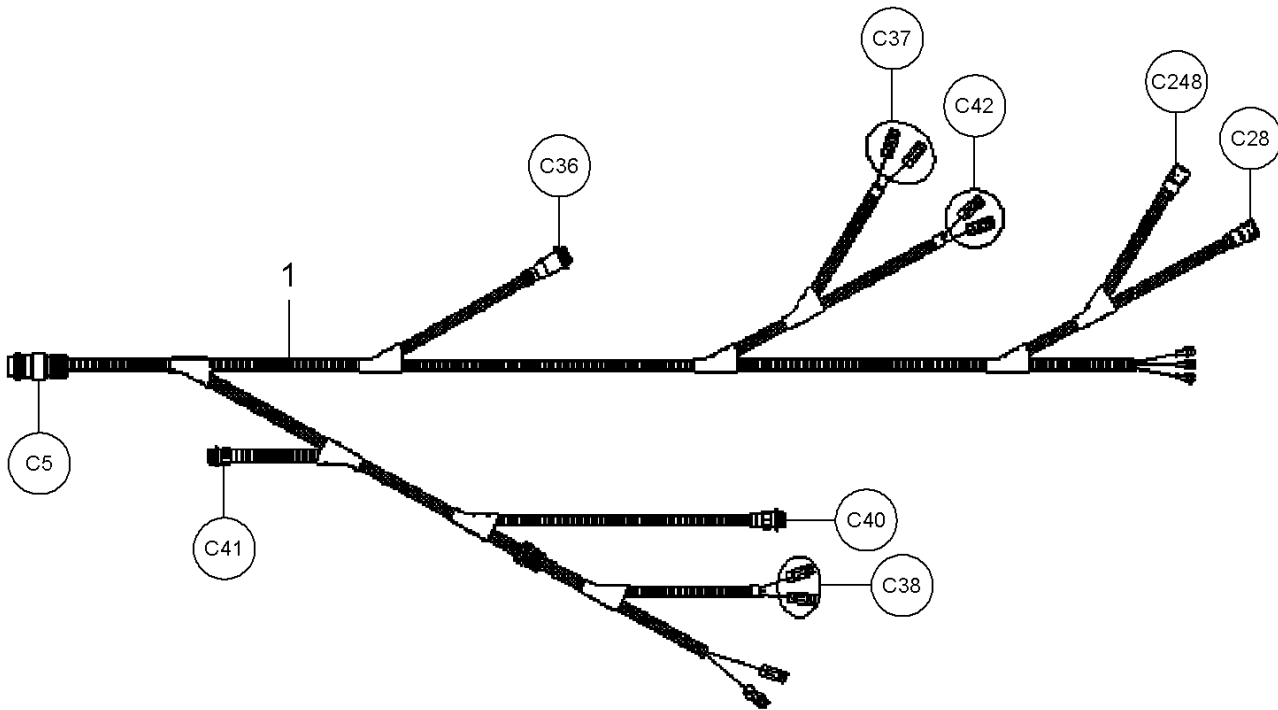
D-AFYN-003-A

1*D28782705	[AB]	1 HARNESS	FAISCEAU	KABELBAUM	MAZO CABLES
2*D28781900	[AC]	1 HARNESS	FAISCEAU	KABELBAUM	MAZO CABLES

[A] THE CONNECTOR DESIGNATIONS REFER TO THE ELECTRICAL DOCUMENTATION OF THE MACHINE
LES DESIGNATIONS DES CONNECTEURS ELEC SE REFERENT AU DOSSIER DE DOCUMENTATION ELEC DE LA
MACHINE
DIE STECKERBEZEICHUNGEN BEZIEHEN SICH AUF DIE ELEKTRISCHE DOKUMENTATION DER MASCHINE
LAS DESIGNACIONES DE LOS CONECTORES ELEC REFIEREN AL EXPEDIENTE DE DOCUMENTACIÓN ELEC DE
LA MÁQUINA

[B] CONCAVE LEAD-IN PLATE
PARTIE AVANT DU CONTRE-BATTEUR
KORPEINGANG
PARTE ANTES DEL CONTRABATIDOR

[C] TABLE CHANNEL
CONVOYEUR
SCHNEIDWERKKANAL
TRANSPORTADOR



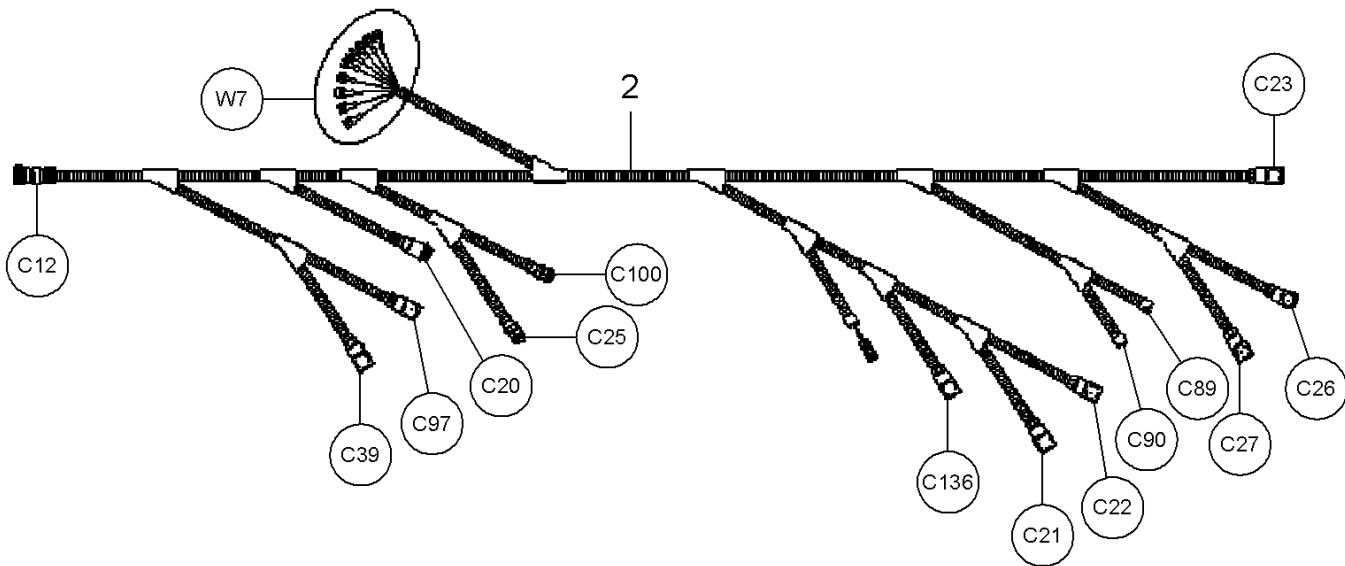
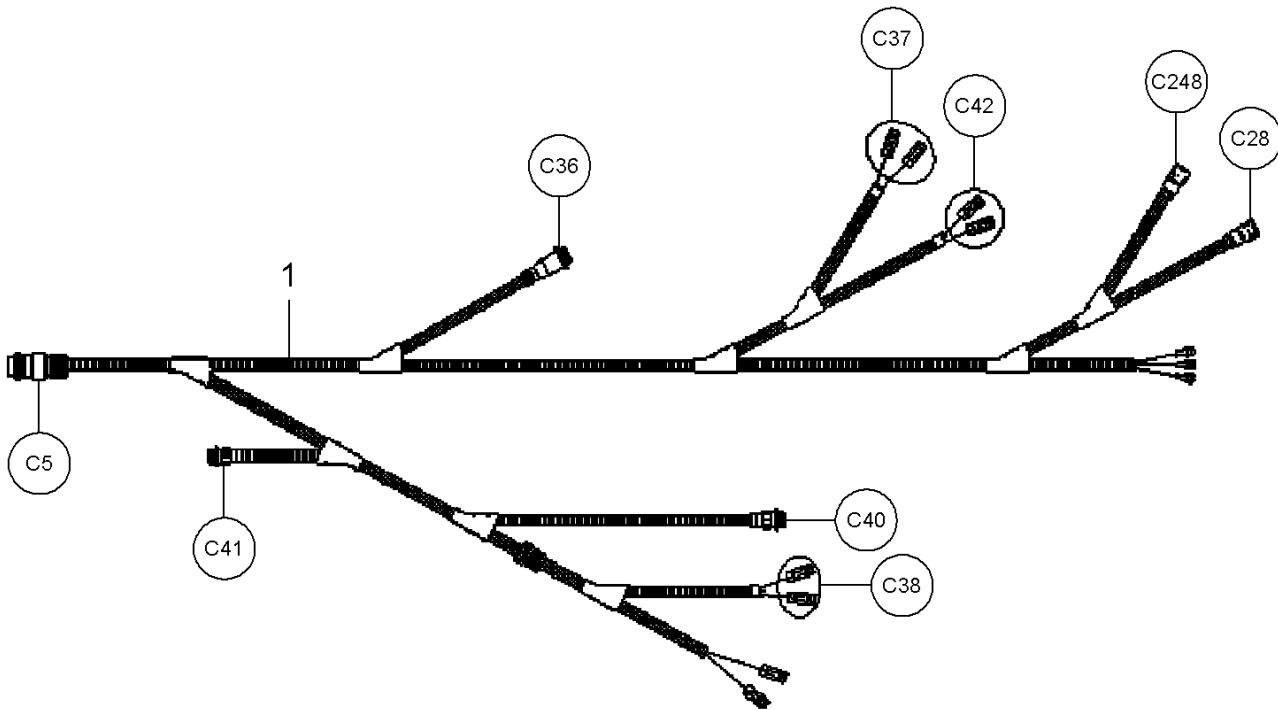
D-AFYN-004-A

1*D28782702	[AB]	1 HARNESS	FAISCEAU	KABELBAUM	MAZO CABLES
2*D28782724	[AC]	1 HARNESS	FAISCEAU	KABELBAUM	MAZO CABLES

[A] THE CONNECTOR DESIGNATIONS REFER TO THE ELECTRICAL DOCUMENTATION OF THE MACHINE
LES DESIGNATIONS DES CONNECTEURS ELEC SE REFERENT AU DOSSIER DE DOCUMENTATION ELEC DE LA MACHINE
DIE STECKERBEZEICHUNGEN BEZIEHEN SICH AUF DIE ELEKTRISCHE DOKUMENTATION DER MASCHINE
LAS DESIGNACIONES DE LOS CONECTORES ELEC REFIEREN AL EXPEDIENTE DE DOCUMENTACIÓN ELEC DE LA MÁQUINA

[B] GRAIN TANK
TREMIE
KORNTANK
TOLVA

[C] ELECTRIC GEARSHIFT
CHANGEMENT DE VITESSE ELECTRIQUE
ELEKTRISCHES GETRIEBE
CAMBIO DE VELOCIDAD ELECTRICO

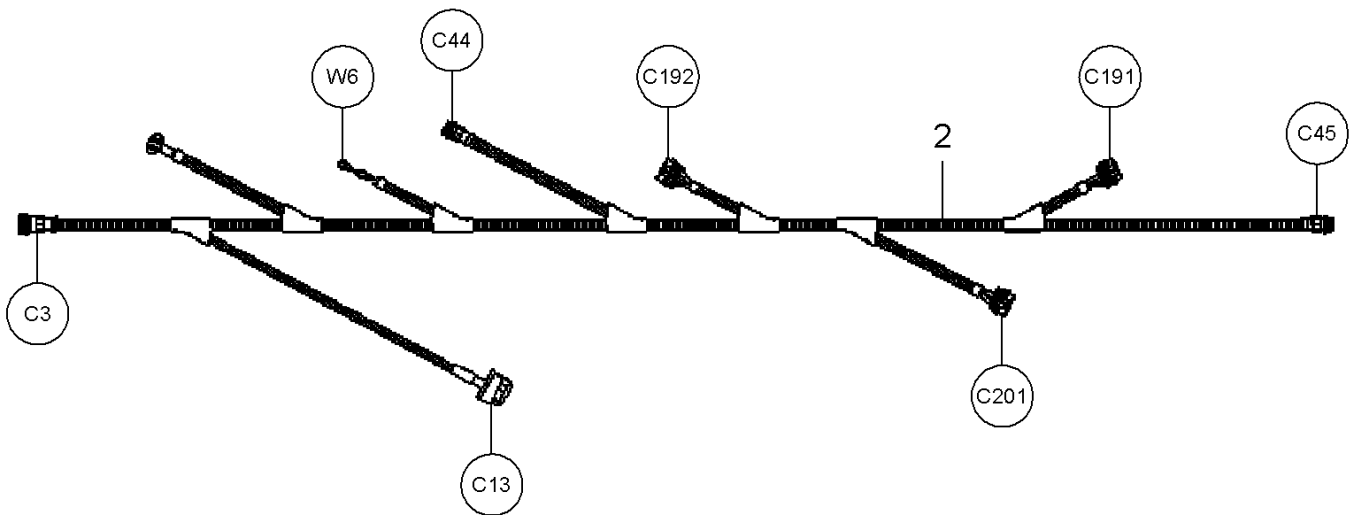
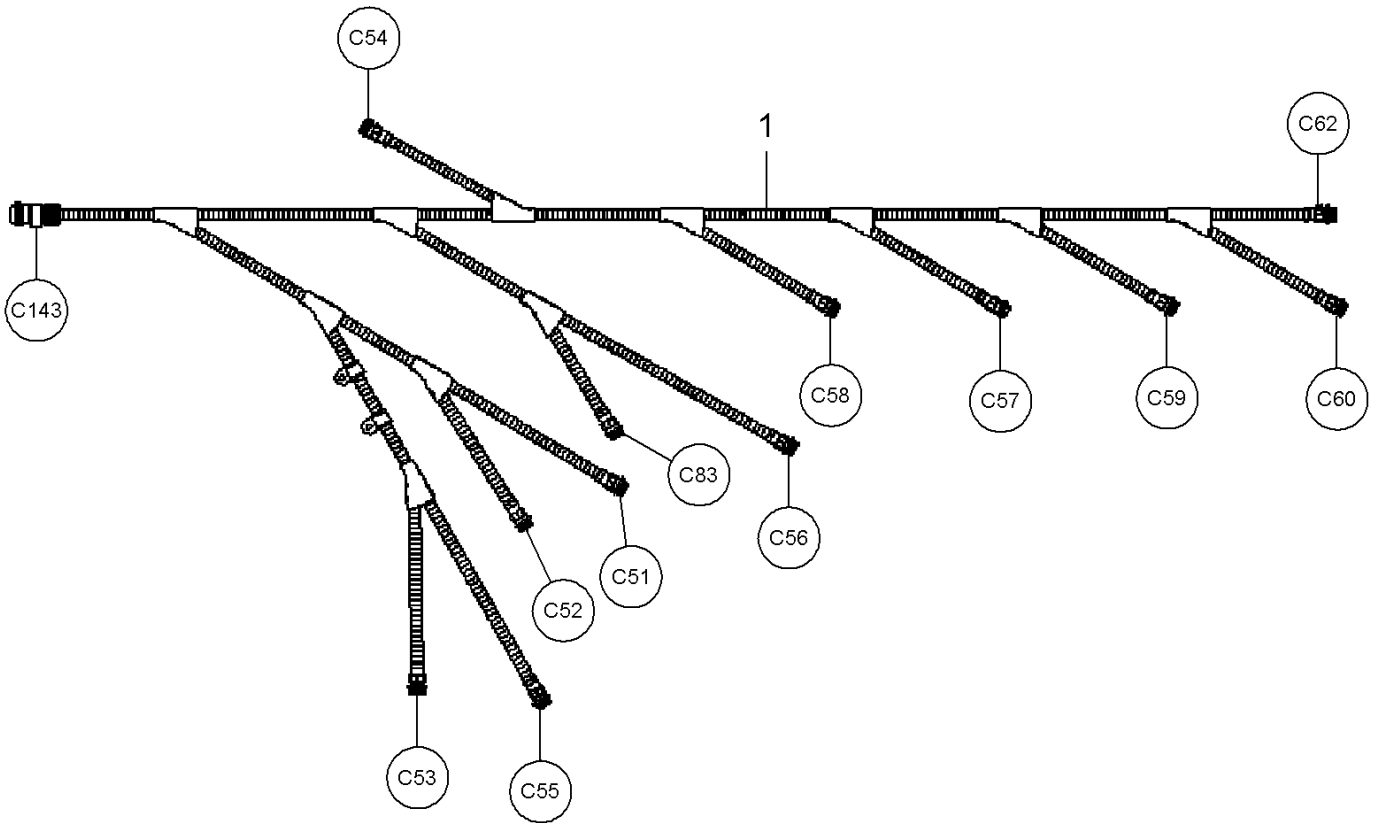


1*D28782563	[AB]	1 HARNESS	FAISCEAU	KABELBAUM	MAZO CABLES
2*D28780964	[AC]	1 HARNESS	FAISCEAU	KABELBAUM	MAZO CABLES

[A] THE CONNECTOR DESIGNATIONS REFER TO THE ELECTRICAL DOCUMENTATION OF THE MACHINE
LES DESIGNATIONS DES CONNECTEURS ELEC SE REFERENT AU DOSSIER DE DOCUMENTATION ELEC DE LA
MACHINE
DIE STECKERBEZEICHUNGEN BEZIEHEN SICH AUF DIE ELEKTRISCHE DOKUMENTATION DER MASCHINE
LAS DESIGNACIONES DE LOS CONECTORES ELEC REFIEREN AL EXPEDIENTE DE DOCUMENTACIÓN ELEC DE
LA MÁQUINA

[B] GRAIN TANK
TREMIE
KORNTANK
TOLVA

[C] HARVEST FUNCTION
ORGANES DE COUPE
ERNTEFUNKTION
ORGANOS DE CORTE



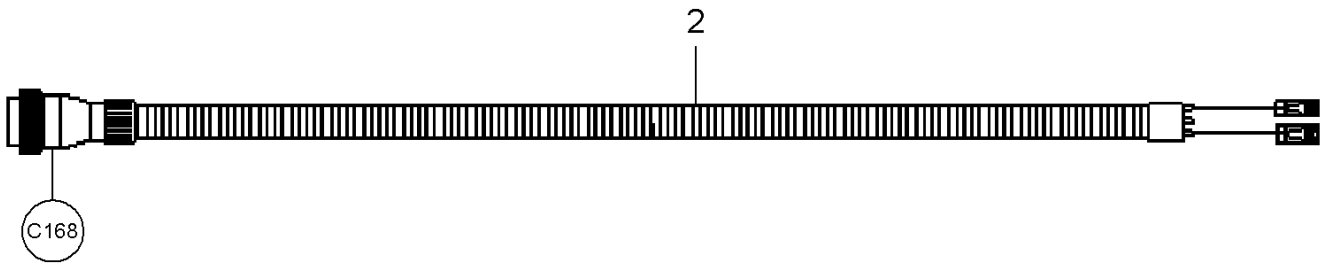
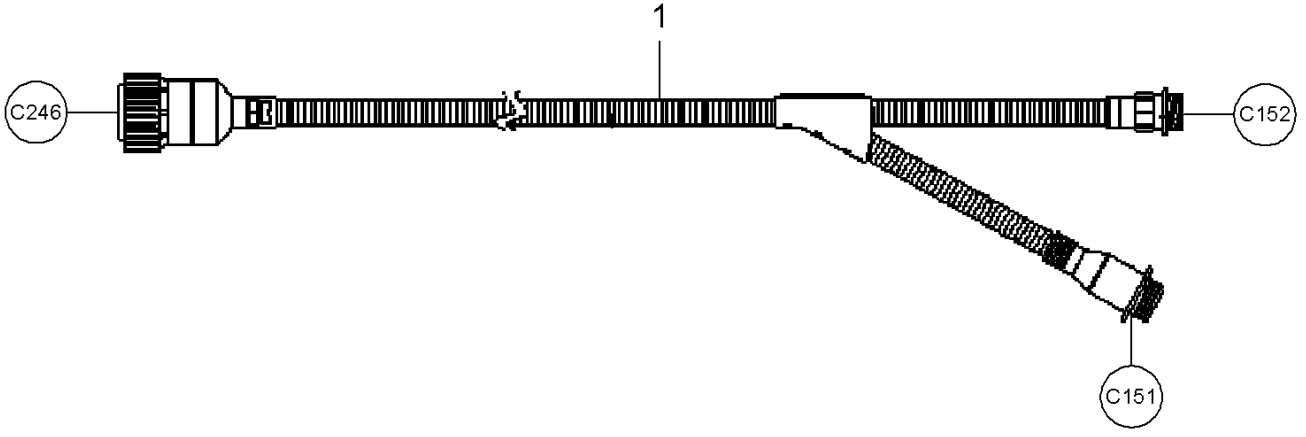
D-AFYN-005-A

1*D28781018	[AB]	1 HARNESS	FAISCEAU	KABELBAUM	MAZO CABLES
2*D28781729	[AC]	1 HARNESS	FAISCEAU	KABELBAUM	MAZO CABLES

[A] THE CONNECTOR DESIGNATIONS REFER TO THE ELECTRICAL DOCUMENTATION OF THE MACHINE
LES DESIGNATIONS DES CONNECTEURS ELEC SE REFERENT AU DOSSIER DE DOCUMENTATION ELEC DE LA
MACHINE
DIE STECKERBEZEICHUNGEN BEZIEHEN SICH AUF DIE ELEKTRISCHE DOKUMENTATION DER MASCHINE
LAS DESIGNACIONES DE LOS CONECTORES ELEC REFIEREN AL EXPEDIENTE DE DOCUMENTACIÓN ELEC DE
LA MÁQUINA

[B] MONITORING
SURVEILLANCE
UBERWACHUNG
VIGILANCIA

[C] STRAW HOOD
HOTTE ARRIERE
STROHHAUBE
CAPO DESTRADO



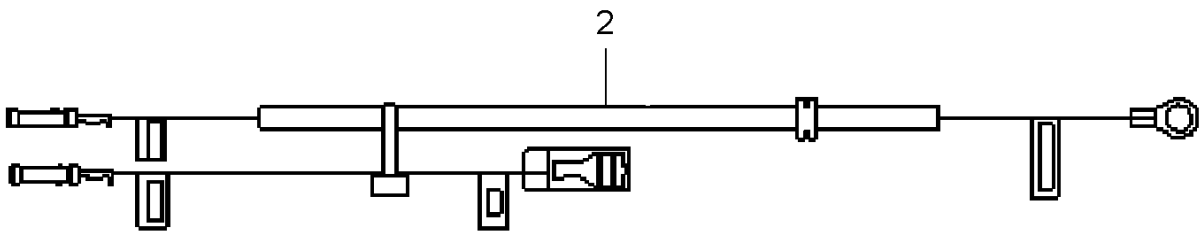
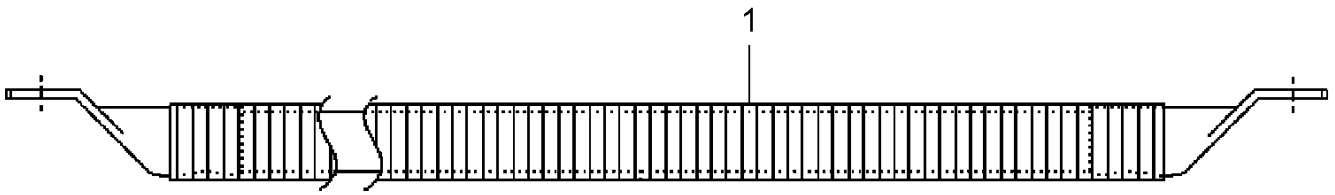
D-AFYN-006-A

1*D28782369	[AB]	1 HARNESS	FAISCEAU	KABELBAUM	MAZO CABLES
2*D28782472	[AC]	1 HARNESS	FAISCEAU	KABELBAUM	MAZO CABLES

[A] THE CONNECTOR DESIGNATIONS REFER TO THE ELECTRICAL DOCUMENTATION OF THE MACHINE
LES DESIGNATIONS DES CONNECTEURS ELEC SE REFERENT AU DOSSIER DE DOCUMENTATION ELEC DE LA
MACHINE
DIE STECKERBEZEICHUNGEN BEZIEHEN SICH AUF DIE ELEKTRISCHE DOKUMENTATION DER MASCHINE
LAS DESIGNACIONES DE LOS CONECTORES ELEC REFIEREN AL EXPEDIENTE DE DOCUMENTACIÓN ELEC DE
LA MÁQUINA

[B] CONCAVE
CONTRE-BATTEUR
DRESCHKORB
CONTRABATIDOR

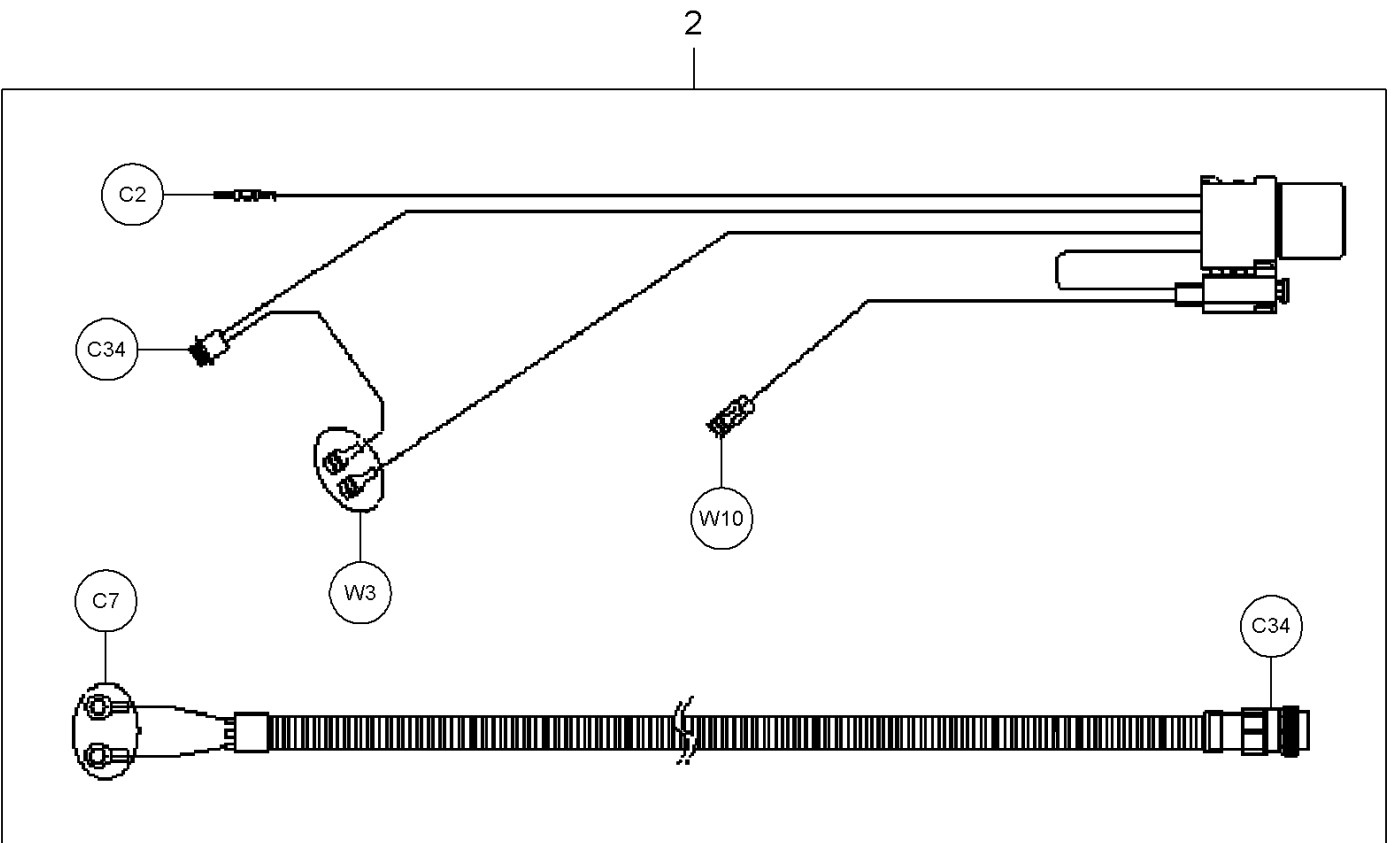
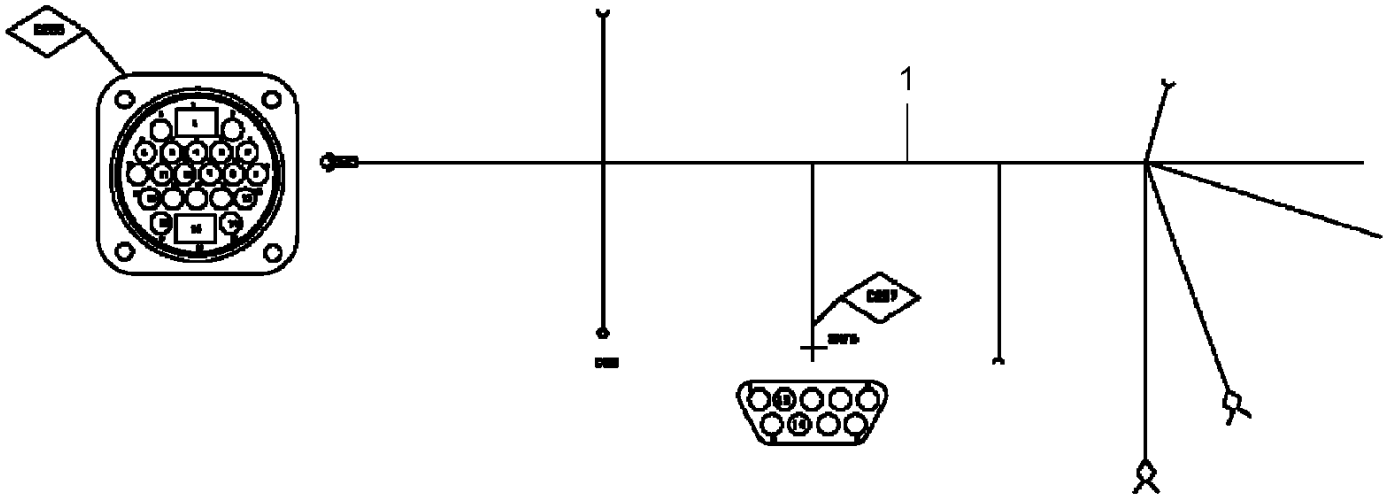
[C] GRAIN TANK COVERS
COUVERCLE DE TREMIE
KORNTANK KAPPE
TAPA DE TOLVA



1*D28789530	[AB]	1 HARNESS	FAISCEAU	KABELBAUM	MAZO CABLES
2*D28789531	[AB]	1 HARNESS	FAISCEAU	KABELBAUM	MAZO CABLES

[A] THE CONNECTOR DESIGNATIONS REFER TO THE ELECTRICAL DOCUMENTATION OF THE MACHINE
LES DESIGNATIONS DES CONNECTEURS ELEC SE REFERENT AU DOSSIER DE DOCUMENTATION ELEC DE LA
MACHINE
DIE STECKERBEZEICHUNGEN BEZIEHEN SICH AUF DIE ELEKTRISCHE DOKUMENTATION DER MASCHINE
LAS DESIGNACIONES DE LOS CONECTORES ELEC REFIEREN AL EXPEDIENTE DE DOCUMENTACIÓN ELEC DE
LA MÁQUINA

[B] MAIN SWITCH
INTERRUPTEUR PRINCIPAL
HAUPTSCHALTER
INTERRUPTOR PRINCIPAL



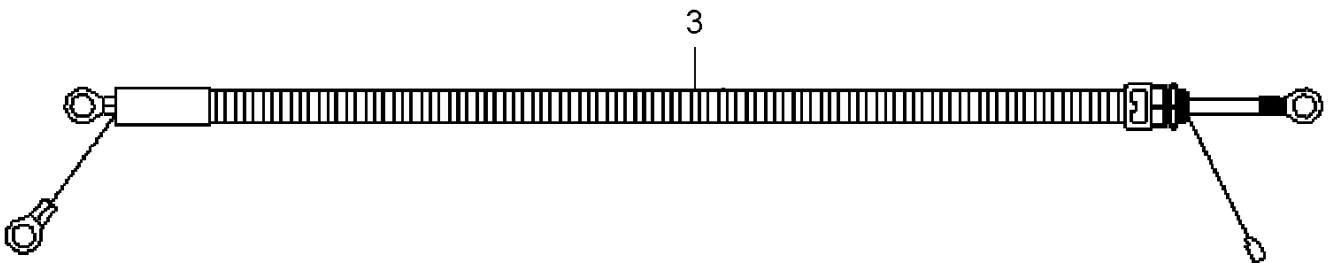
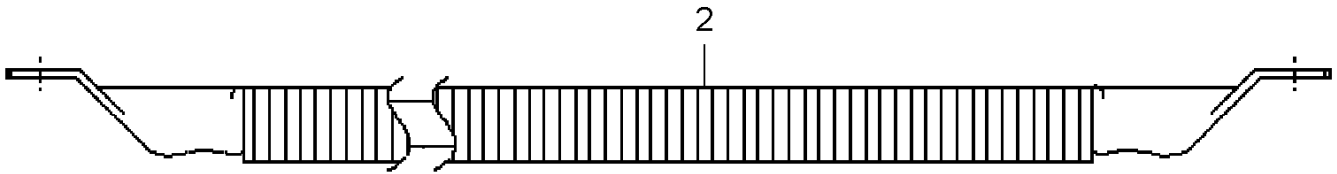
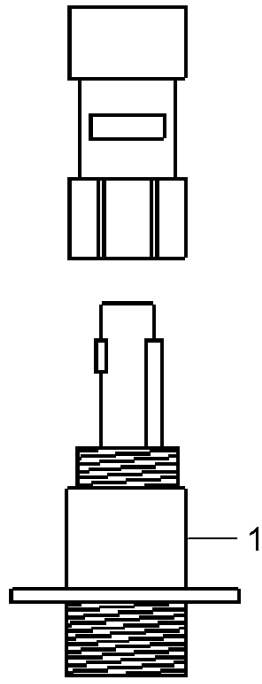
D-AFYO-001-A

1*D28273881	[AB]	1 HARNESS	FAISCEAU	KABELBAUM	MAZO CABLES
2*D28781478	[AC]	1 HARNESS	FAISCEAU	KABELBAUM	MAZO CABLES

[A] THE CONNECTOR DESIGNATIONS REFER TO THE ELECTRICAL DOCUMENTATION OF THE MACHINE
LES DESIGNATIONS DES CONNECTEURS ELEC SE REFERENT AU DOSSIER DE DOCUMENTATION ELEC DE LA MACHINE
DIE STECKERBEZEICHUNGEN BEZIEHEN SICH AUF DIE ELEKTRISCHE DOKUMENTATION DER MASCHINE
LAS DESIGNACIONES DE LOS CONECTORES ELEC REFIEREN AL EXPEDIENTE DE DOCUMENTACIÓN ELEC DE LA MÁQUINA

[B] ENGINE STAGE III
MOTEUR STAGE III
MOTOR STAGE III
MOTOR STAGE III

[C] 4 WD
4 ROUES MOTRICES
ALLRADANTRIEB
4 RUEDAS MOTRIZ



D-AFYO-002-A

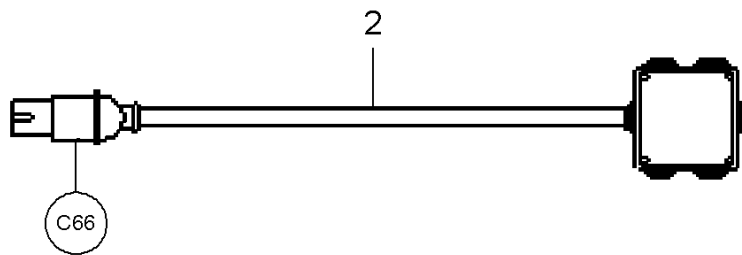
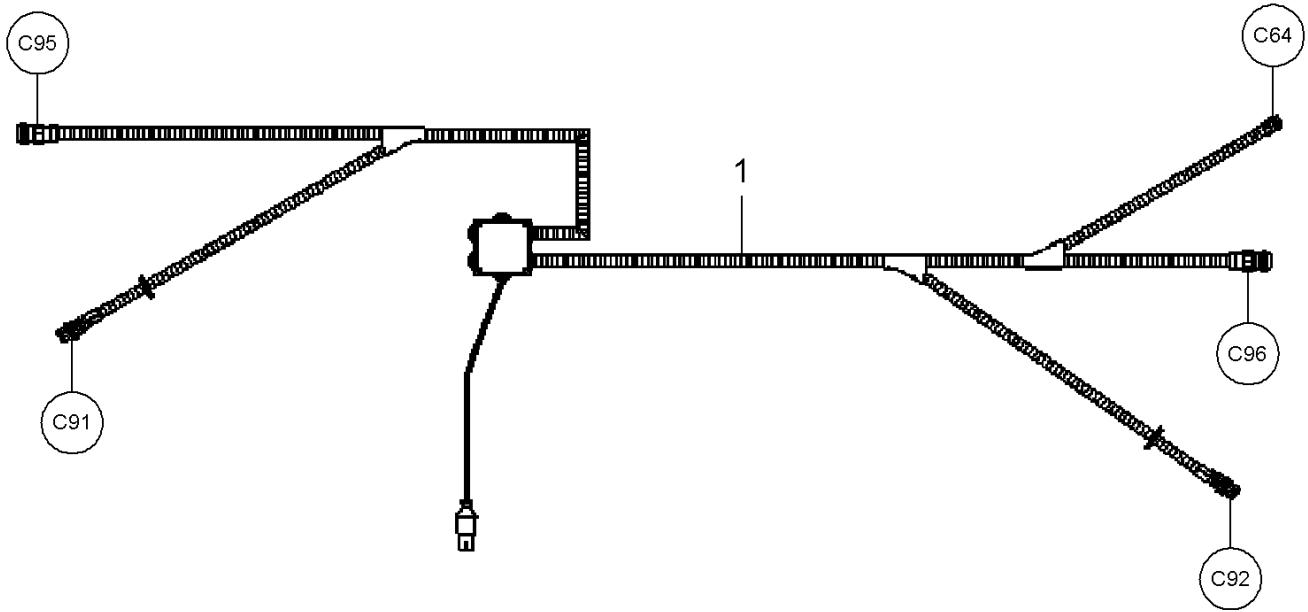
1*D28781682	[AB]	1	TERMINAL	BORNE	BATTERIEPOLE	BORNE
2*D28781930	[AC]	1	EARTH STRAP	FIL DE MASSE	MASSELEITUNG	CABLE TIERRA
3*D28782706	[AD]	1	HARNESS	FAISCEAU	KABELBAUM	MAZO CABLES

[A] THE CONNECTOR DESIGNATIONS REFER TO THE ELECTRICAL DOCUMENTATION OF THE MACHINE
LES DESIGNATIONS DES CONNECTEURS ELEC SE REFERENT AU DOSSIER DE DOCUMENTATION ELEC DE LA MACHINE
DIE STECKERBEZEICHUNGEN BEZIEHEN SICH AUF DIE ELEKTRISCHE DOKUMENTATION DER MASCHINE
LAS DESIGNACIONES DE LOS CONECTORES ELEC REFIEREN AL EXPEDIENTE DE DOCUMENTACIÓN ELEC DE LA MÁQUINA

[B] CAN TERMINATION
TERMINAISON CAN
CAN-ABSCHLUSS
TERMINACION CAN

[C] GROUND CABLE
CABLE DE MASSE
MASSEKABEL
CABLE DE MASA

[D] FEEDER HARNESS
FAISCEAU ALIMENTATION
KABELBAUM ZUFUEHRUNG
MAZO CABLES ALIMENTADOR

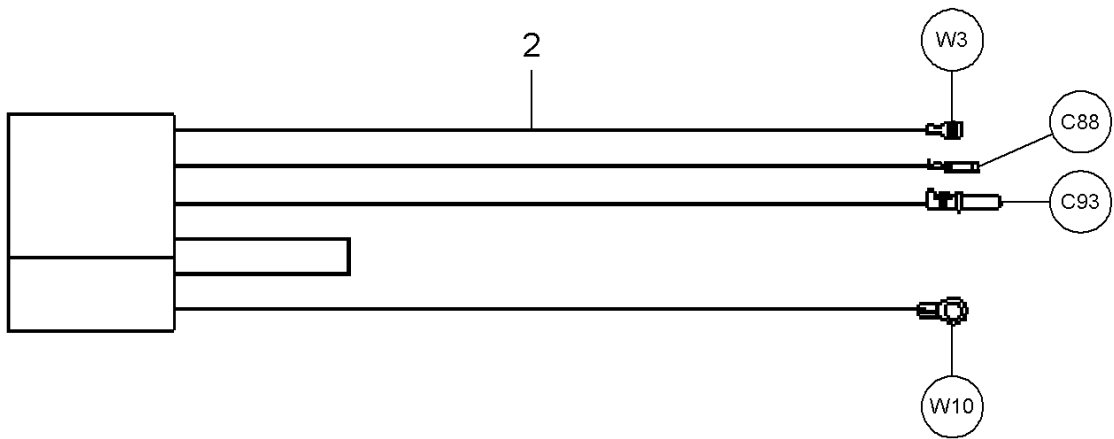
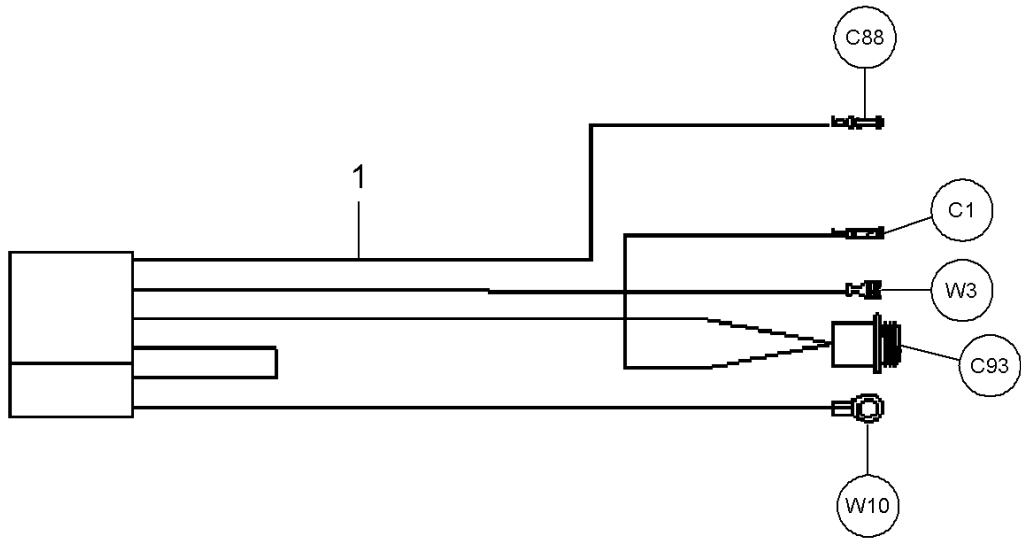


1*D28787482	[AB]	1 HARNESS	FAISCEAU	KABELBAUM	MAZO CABLES
2*D28787483	[AC]	1 HARNESS	FAISCEAU	KABELBAUM	MAZO CABLES

[A] THE CONNECTOR DESIGNATIONS REFER TO THE ELECTRICAL DOCUMENTATION OF THE MACHINE
LES DESIGNATIONS DES CONNECTEURS ELEC SE REFERENT AU DOSSIER DE DOCUMENTATION ELEC DE LA
MACHINE
DIE STECKERBEZEICHUNGEN BEZIEHEN SICH AUF DIE ELEKTRISCHE DOKUMENTATION DER MASCHINE
LAS DESIGNACIONES DE LOS CONECTORES ELEC REFIEREN AL EXPEDIENTE DE DOCUMENTACIÓN ELEC DE
LA MÁQUINA

[B] CUTTING TABLE
BARRE DE COUPE
SCHNEIDWERK
BARRA DE CORTE

[C] CUTTING TABLE ENGAGEMENT
EMBAYAGE BARRE DE COUPE
SCHNEIDWERKEINSCHALTEN
EMBAGUE BARRA DE CORTE

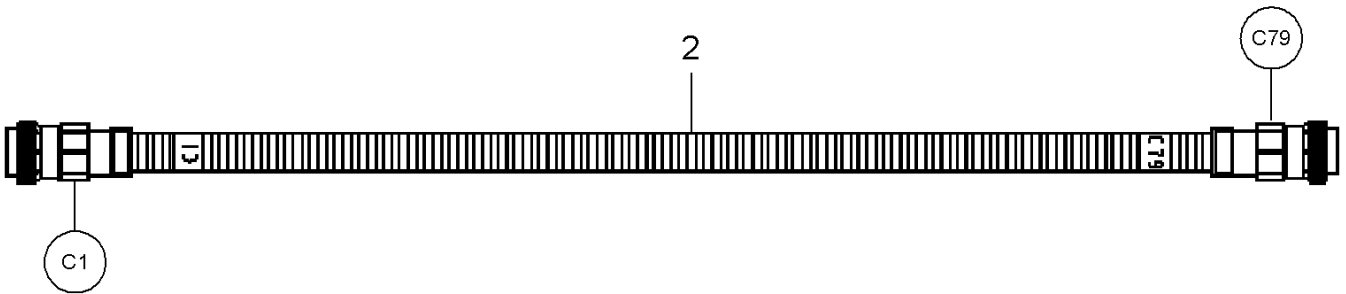
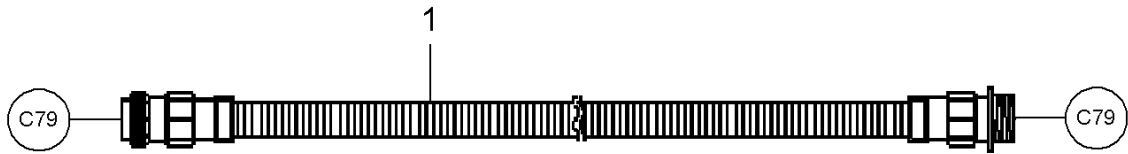


1*D28782725	[AB]	1 HARNESS	FAISCEAU	KABELBAUM	MAZO CABLES
2*D28782726	[AC]	1 HARNESS	FAISCEAU	KABELBAUM	MAZO CABLES

[A] THE CONNECTOR DESIGNATIONS REFER TO THE ELECTRICAL DOCUMENTATION OF THE MACHINE
LES DESIGNATIONS DES CONNECTEURS ELEC SE REFERENT AU DOSSIER DE DOCUMENTATION ELEC DE LA
MACHINE
DIE STECKERBEZEICHUNGEN BEZIEHEN SICH AUF DIE ELEKTRISCHE DOKUMENTATION DER MASCHINE
LAS DESIGNACIONES DE LOS CONECTORES ELEC REFIEREN AL EXPEDIENTE DE DOCUMENTACIÓN ELEC DE
LA MÁQUINA

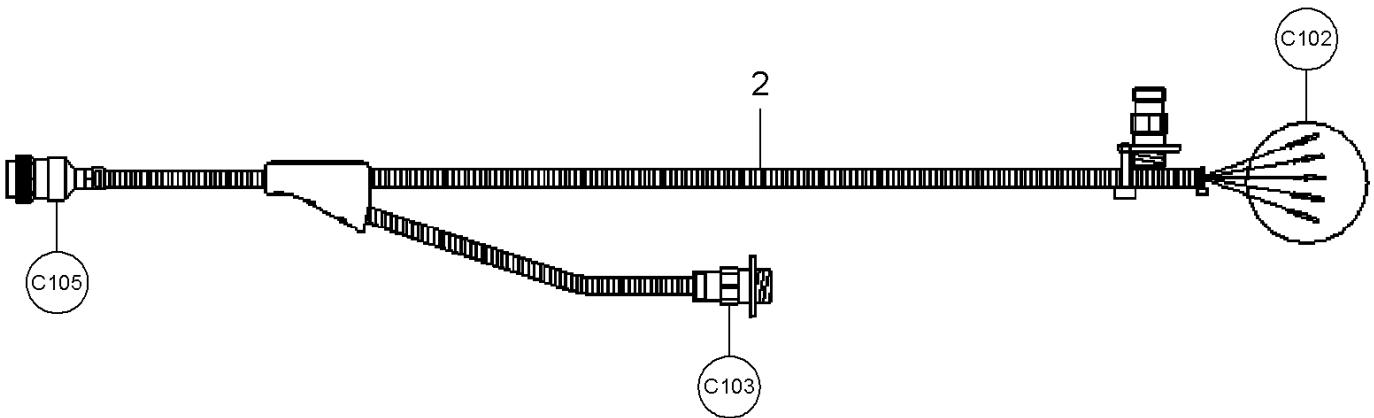
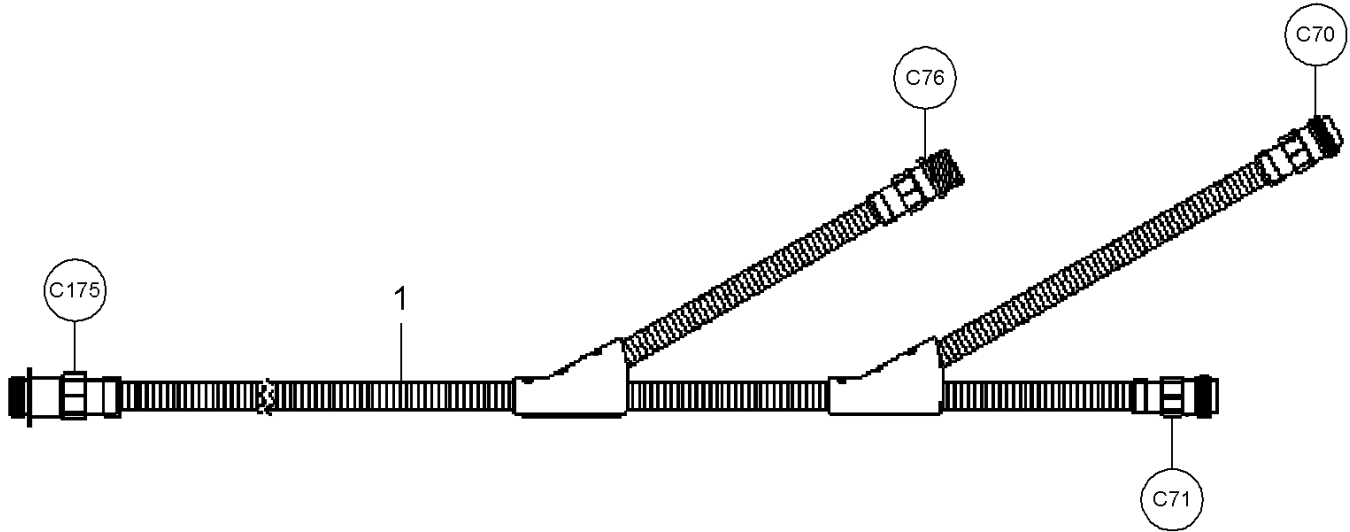
[B] VERTICAL KNIFE RIGHT
LAME VERRICAL DROITE
TRENMESSER RECHT
HOJA VERTICAL DERECHA

[C] VERTICAL KNIFE LEFT
LAME VERTICAL GAUCHE
TRENMESSER LINKS
HOJA VERTICAL IZQUIERDA



1*D28786574	[A]	1 HARNESS	FAISCEAU	KABELBAUM	MAZO CABLES
2*D28781736	[A]	1 HARNESS	FAISCEAU	KABELBAUM	MAZO CABLES

[A] THE CONNECTOR DESIGNATIONS REFER TO THE ELECTRICAL DOCUMENTATION OF THE MACHINE
LES DESIGNATIONS DES CONNECTEURS ELEC SE REFERENT AU DOSSIER DE DOCUMENTATION ELEC DE LA
MACHINE
DIE STECKERBEZEICHUNGEN BEZIEHEN SICH AUF DIE ELEKTRISCHE DOKUMENTATION DER MASCHINE
LAS DESIGNACIONES DE LOS CONECTORES ELEC REFIEREN AL EXPEDIENTE DE DOCUMENTACIÓN ELEC DE
LA MÁQUINA



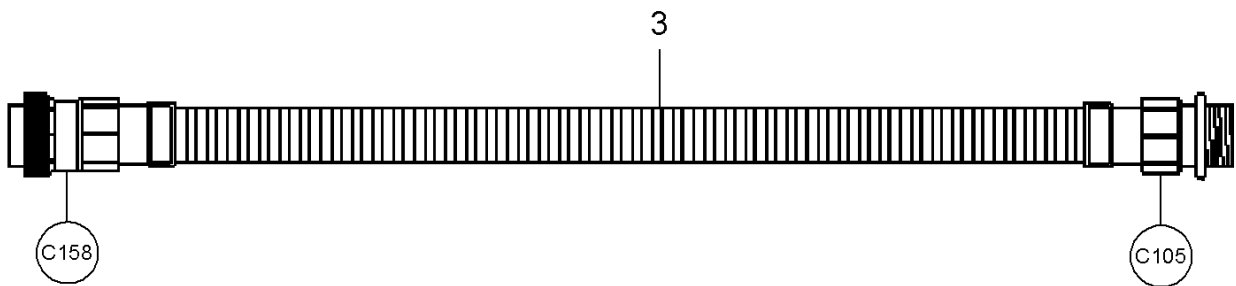
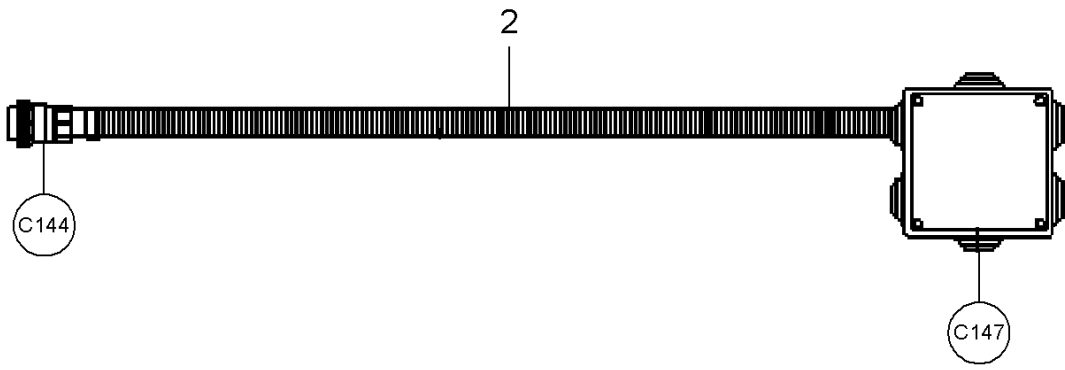
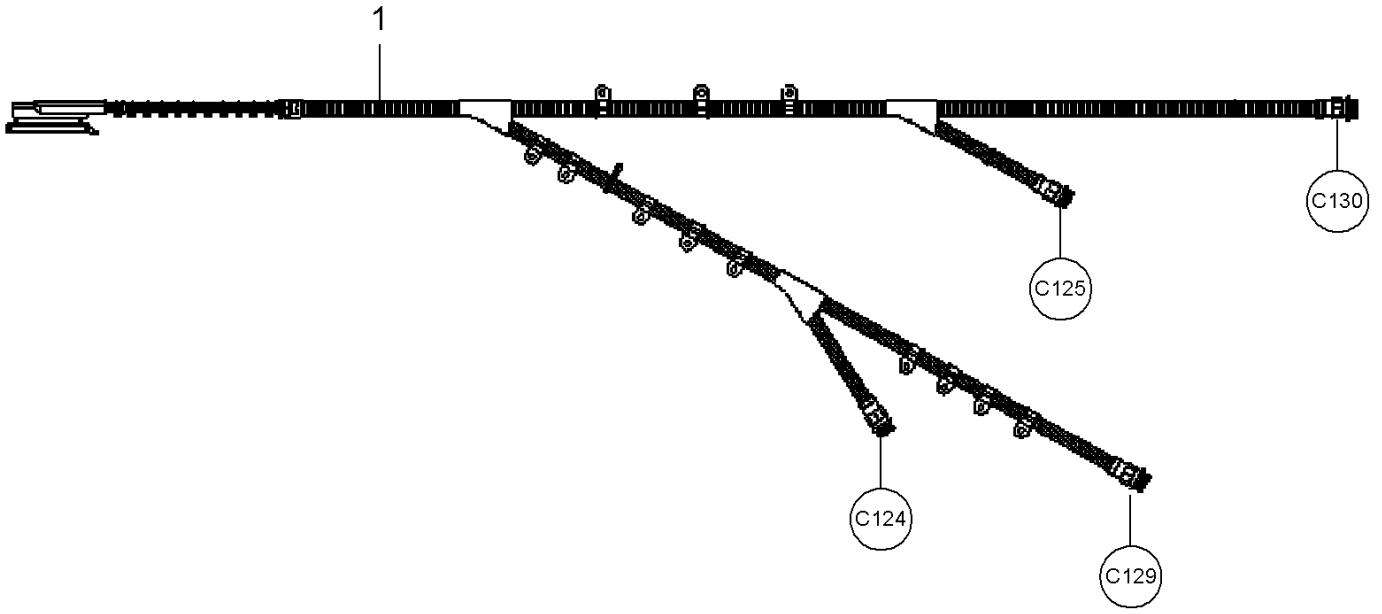
D-AFYQ-003-A

1*D28786603	[AB]	1 HARNESS	FAISCEAU	KABELBAUM	MAZO CABLES
2*D28785912	[AC]	1 HARNESS	FAISCEAU	KABELBAUM	MAZO CABLES

[A] THE CONNECTOR DESIGNATIONS REFER TO THE ELECTRICAL DOCUMENTATION OF THE MACHINE
LES DESIGNATIONS DES CONNECTEURS ELEC SE REFERENT AU DOSSIER DE DOCUMENTATION ELEC DE LA
MACHINE
DIE STECKERBEZEICHUNGEN BEZIEHEN SICH AUF DIE ELEKTRISCHE DOKUMENTATION DER MASCHINE
LAS DESIGNACIONES DE LOS CONECTORES ELEC REFIEREN AL EXPEDIENTE DE DOCUMENTACIÓN ELEC DE
LA MÁQUINA

[B] MOISTER METER
INDICATEUR D'HUMIDITE
FEUCHTEMESSER
MEDITOR DE HUMEDAD

[C] STRAW DEFLECTORS
DEFLECTEURS DE PAILLE
STROHVERTEILERBLECHE
DEFLECTORES DE PAJA



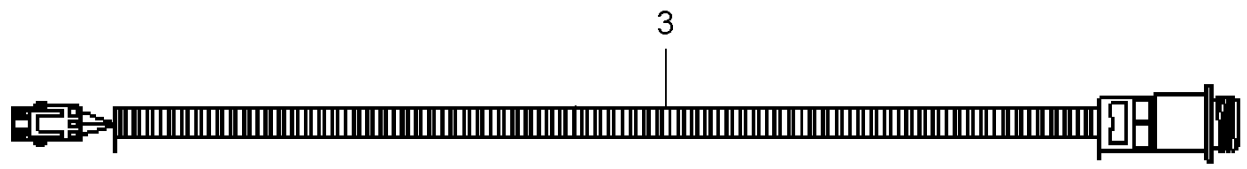
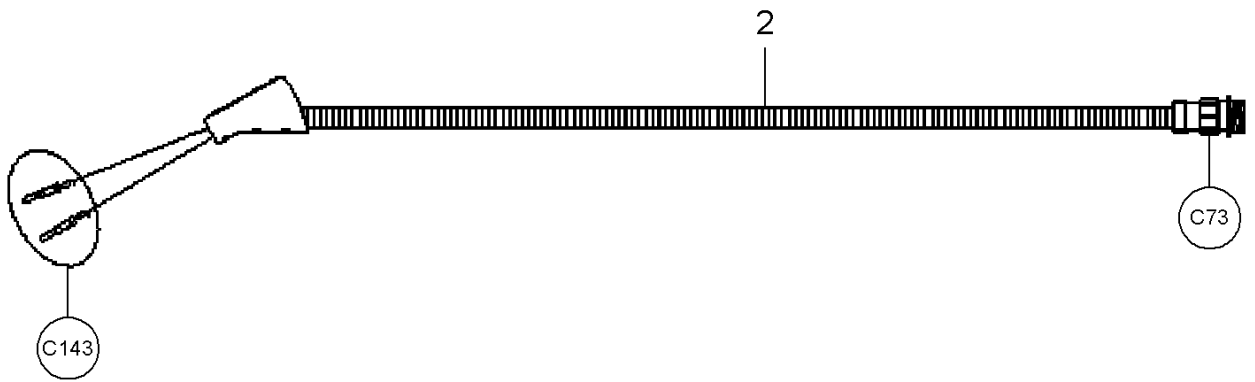
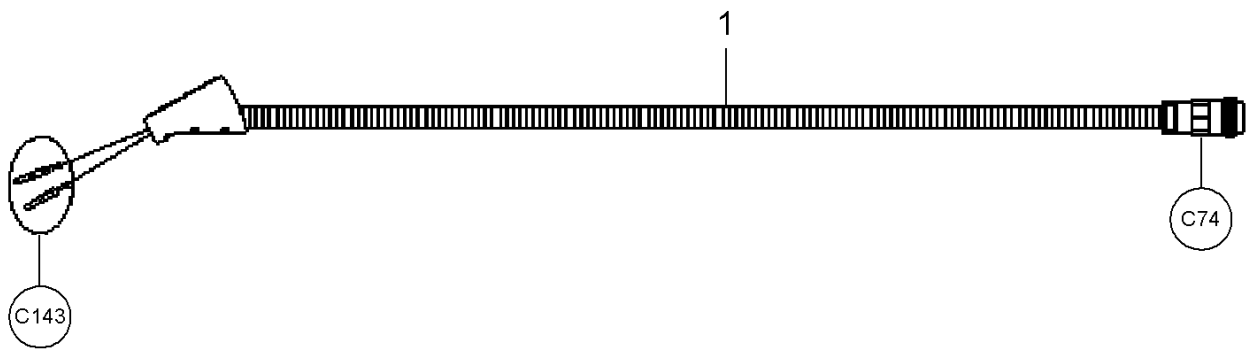
1*D28786836	[AB]	1 HARNESS	FAISCEAU	KABELBAUM	MAZO CABLES
2*D28781591	[AC]	1 HARNESS	FAISCEAU	KABELBAUM	MAZO CABLES
3*D28782381	[AD]	1 HARNESS	FAISCEAU	KABELBAUM	MAZO CABLES

[A] THE CONNECTOR DESIGNATIONS REFER TO THE ELECTRICAL DOCUMENTATION OF THE MACHINE
 LES DESIGNATIONS DES CONNECTEURS ELEC SE REFERENT AU DOSSIER DE DOCUMENTATION ELEC DE LA MACHINE
 DIE STECKERBEZEICHUNGEN BEZIEHEN SICH AUF DIE ELEKTRISCHE DOKUMENTATION DER MASCHINE
 LAS DESIGNACIONES DE LOS CONECTORES ELEC REFIEREN AL EXPEDIENTE DE DOCUMENTACIÓN ELEC DE LA MÁQUINA

[B] ELECTRIC.SIEVES
 GRILLES ELECTRIQUES
 ELEKTR.SIEBE
 CRIBAS ELECTR.

[C] GRAIN LOSS MONITOR
 INDICATEUR DE PERFORMANCES
 VERLUSTANZEIGER
 INDICATORIO RENDAMIENTO

[D] ELECTRICAL STRAW DEFLECTORS
 DEFLECTEURS DE PAILLE ELECTRIQUE
 ELEKTRISCHE STROHVERTEILERBLECHE
 DEFLECTORES DE PAJA ELECTRICO



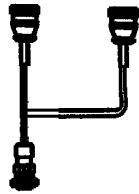
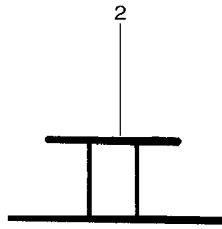
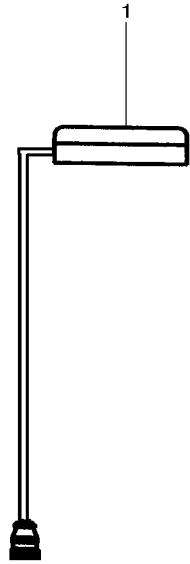
1*D28781657	[AB]	1 HARNESS	FAISCEAU	KABELBAUM	MAZO CABLES
2*D28781658	[AC]	1 HARNESS	FAISCEAU	KABELBAUM	MAZO CABLES
3*D28782928	[AD]	1 HARNESS	FAISCEAU	KABELBAUM	MAZO CABLES

[A] THE CONNECTOR DESIGNATIONS REFER TO THE ELECTRICAL DOCUMENTATION OF THE MACHINE
 LES DESIGNATIONS DES CONNECTEURS ELEC SE REFERENT AU DOSSIER DE DOCUMENTATION ELEC DE LA MACHINE
 DIE STECKERBEZEICHUNGEN BEZIEHEN SICH AUF DIE ELEKTRISCHE DOKUMENTATION DER MASCHINE
 LAS DESIGNACIONES DE LOS CONECTORES ELEC REFIEREN AL EXPEDIENTE DE DOCUMENTACIÓN ELEC DE LA MÁQUINA

[B] FOR RETURNS VOLUME MONITOR
 POUR INDICATEUR QUANTITE D'OTONS
 FUER UEBERKEHRMENGENMESSER
 PARA INDICADOR CANTIDAD DE GRANZAS

[C] FOR CHOPPER VIBRATION MONITOR
 POUR INDICATEUR VIBRATIONS BROYEUR
 FUER HACKSLERVIBRATIONSANZEIGE
 PARA INDICACION VIBRACION MOLINO

[D] MICRO TRAK YELDMETER
 INDICATEUR DE RENDEMENT MICRO TRAK
 MICRO TRAK ERTRAGSMESSGERAET
 INDICADOR DE RENDAMIENTO MICRO TRAK



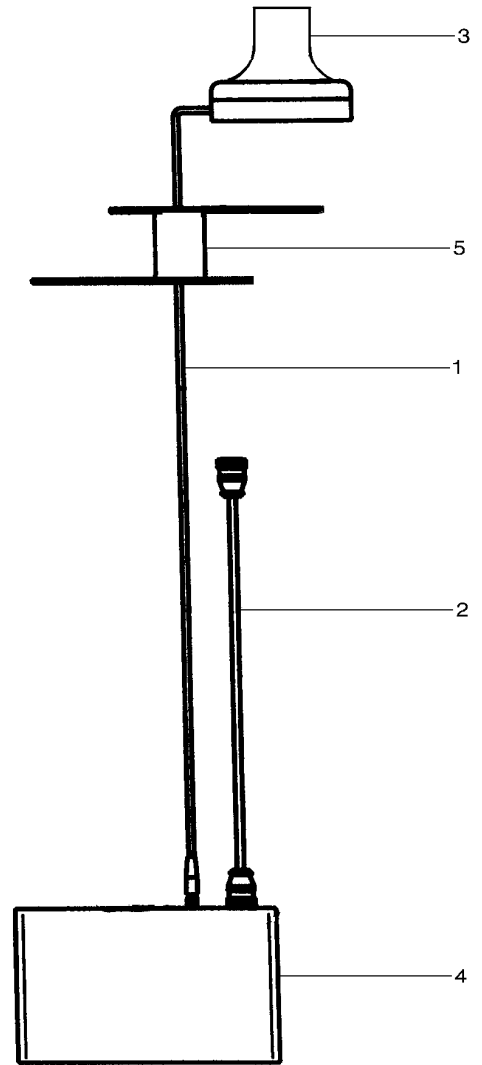
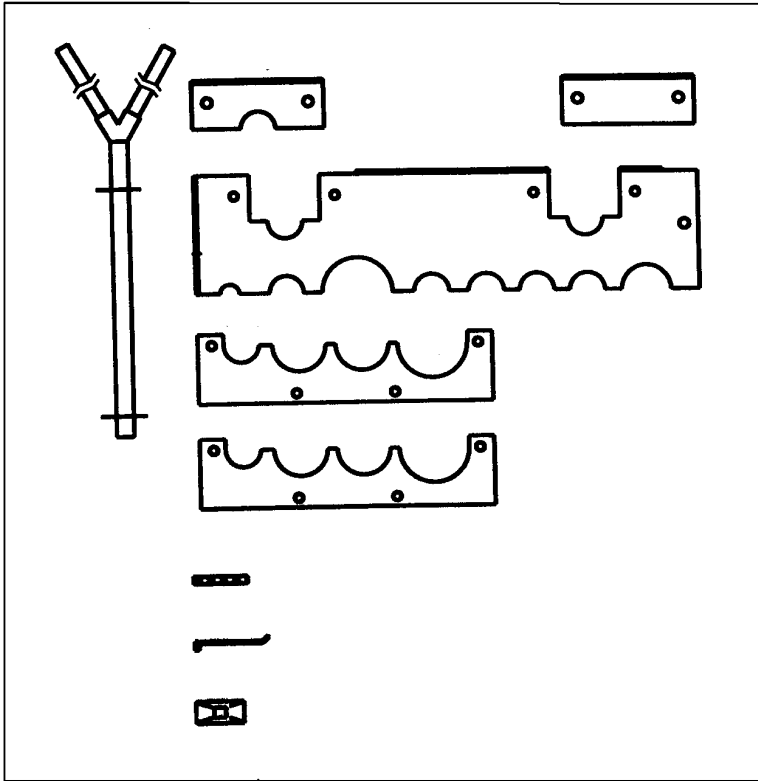
1 D44900827
2 D28782545

1 ANTENNA
1 CABLE

ANTENNE.
CABLE

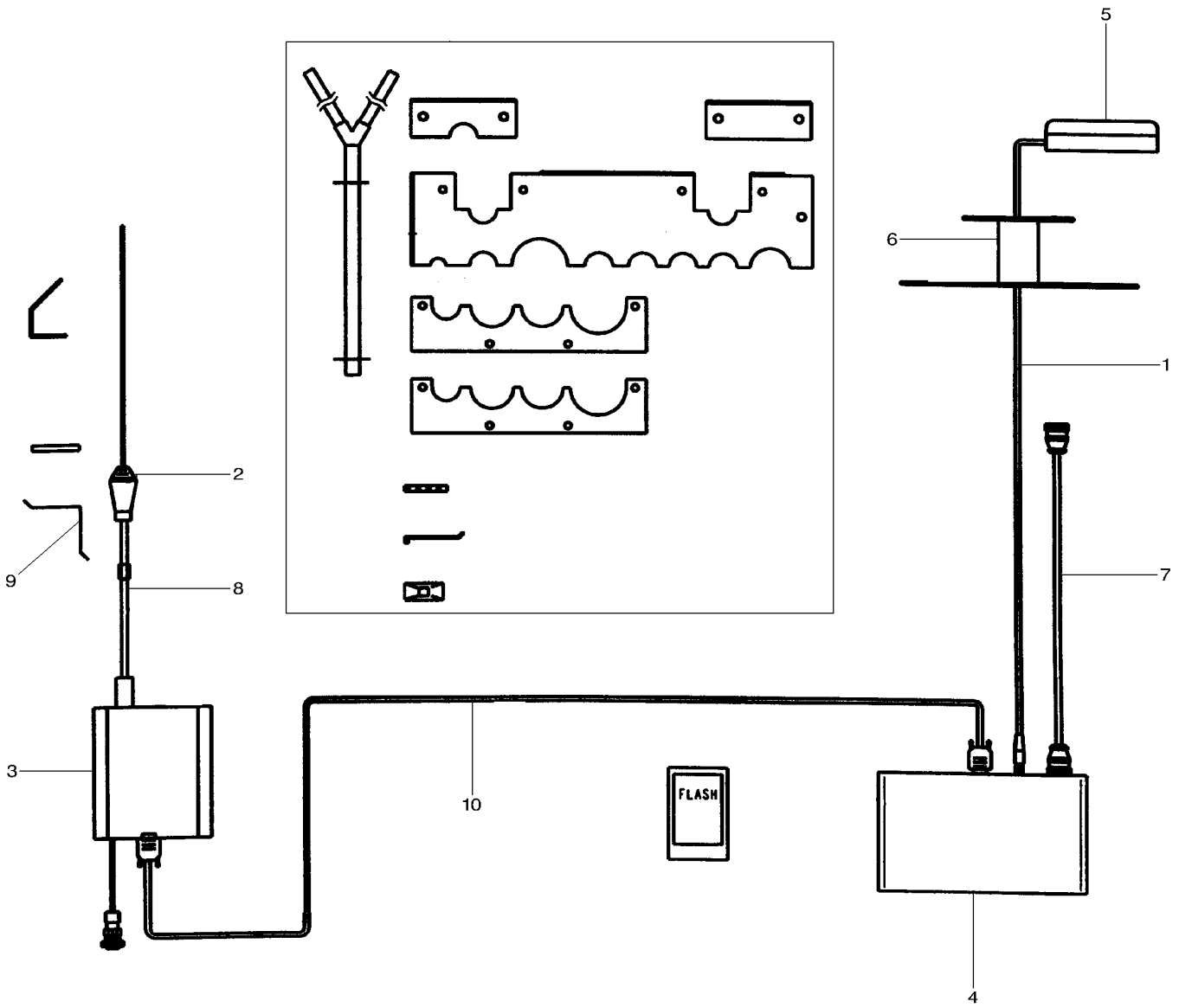
ANTENNE
KABEL

ANTENA
CABLE



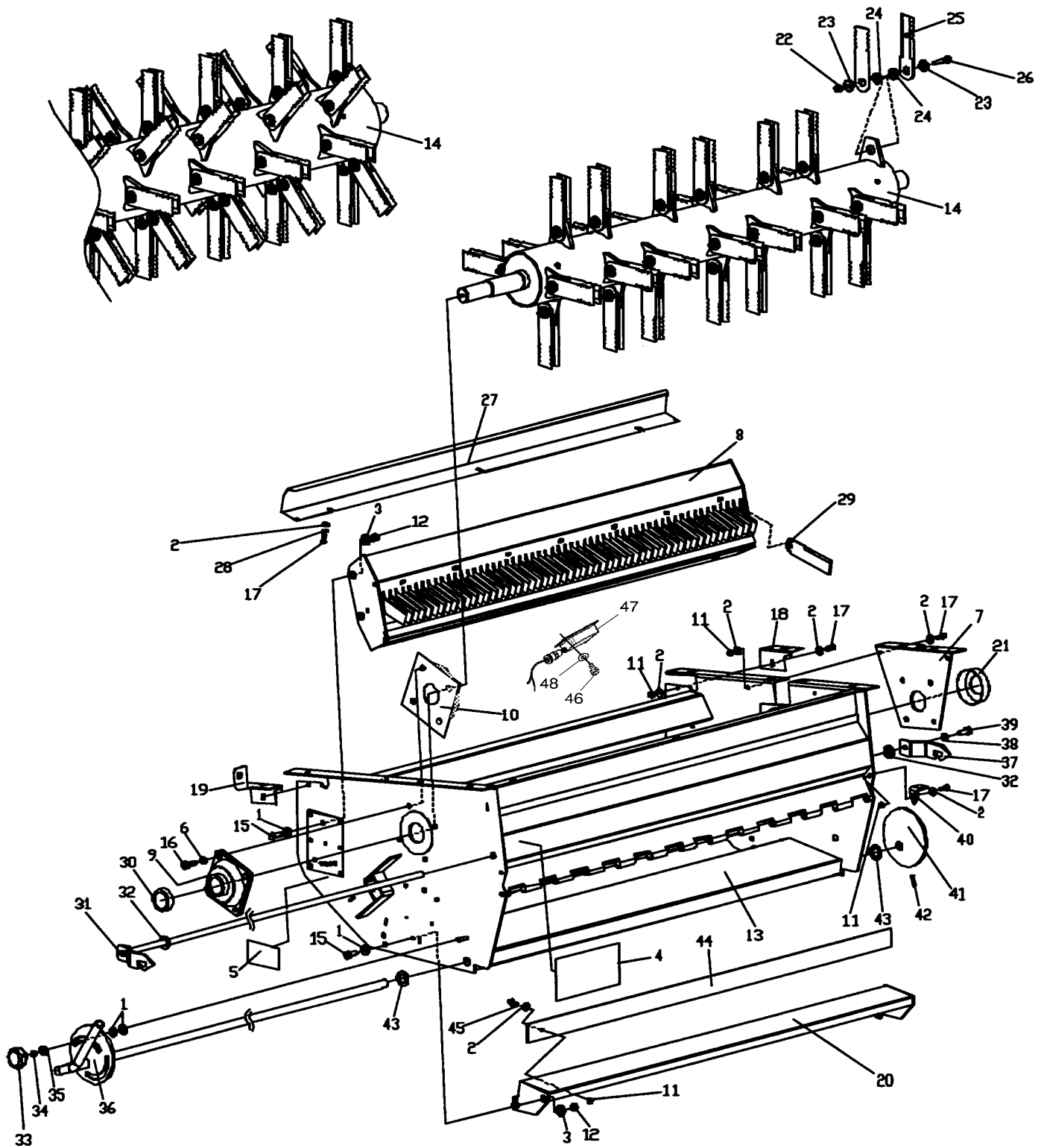
D-AFZI-001-A

1	D44900729	AGCO COMMUNIT	1	CABLE	CABLE	KABEL	CABLE
1	D44900731	DVII COMUNIT	2	ADAPTOR	ADAPTATEUR	REDUZIERNIPPEL	ADAPTADOR
1	D44900351	DVII COMUNIT	1	CABLE	CABLE	KABEL	CABLE
2	D28781727	AGCO COMUNIT	1	HARNESS	FAISCEAU	KABELBAUM	MAZO CABLES
2	D28781638	DVII COMUNIT	1	HARNESS	FAISCEAU	KABELBAUM	MAZO CABLES
3	D44900347		1	ANTENNA	ANTENNE.	ANTENNE	ANTENA
4	D28981822	DVII COMUNIT	1	COM UNIT	COM UNIT	COM UNIT	COM UNIT
4	D28789379	AGCO COMUNIT	1	COM UNIT	COM UNIT	COM UNIT	COM UNIT
5	D28782215		1	ANTENNA	ANTENNE.	ANTENNE	ANTENA



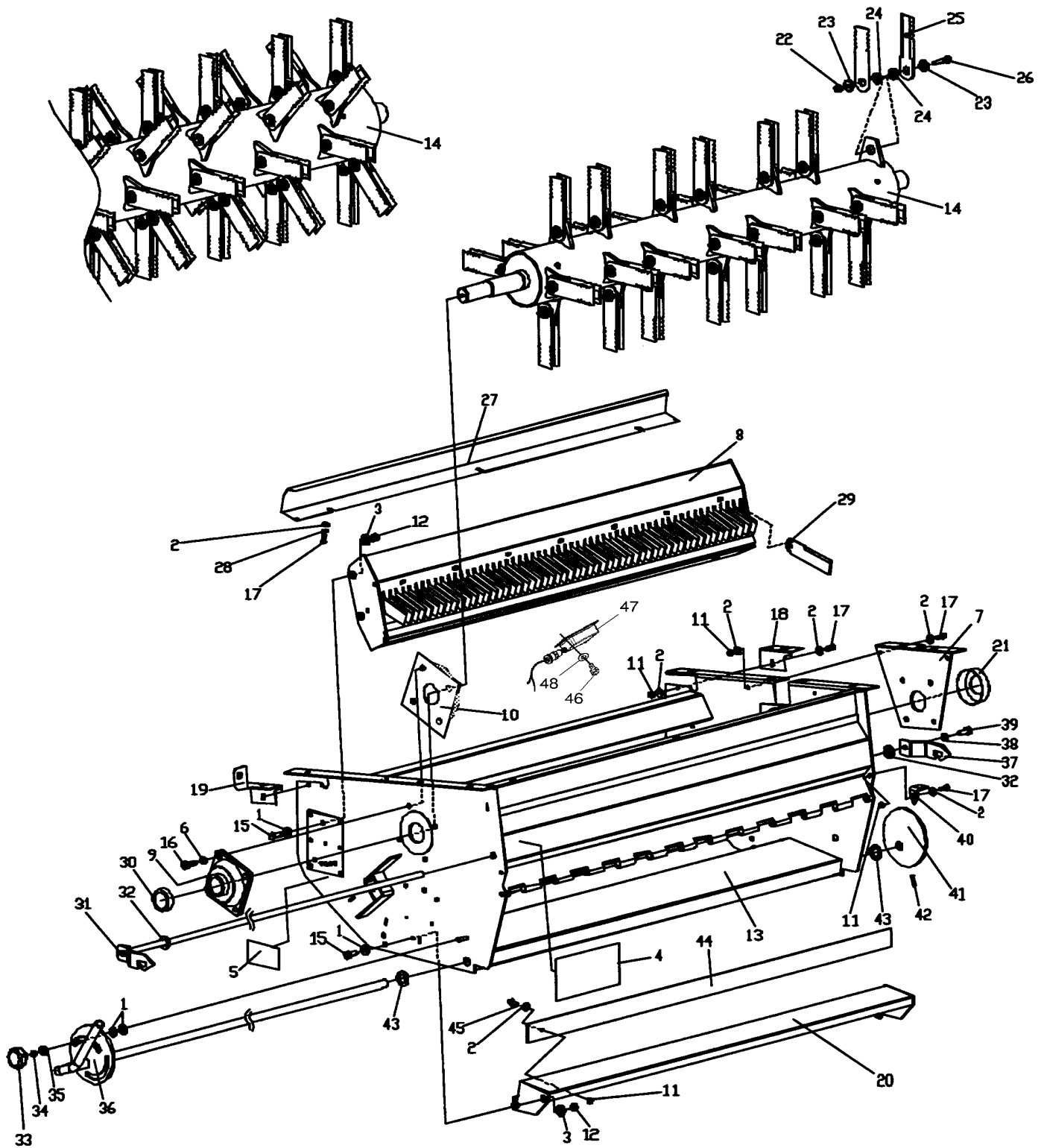
D-AFZJ-001-A

1	D44900731	AGCO COMUNIT	2	ADAPTOR	ADAPTATEUR	REDUZIERNIPPEL	ADAPTADOR
1	D44900729	AGCO CUMUNIT	1	CABLE	CABLE	KABEL	CABLE
1	D44900351	DVII COMUNIT	1	CABLE	CABLE	KABEL	CABLE
2	D45086600		1	AERIAL LONG	ANTENNE LONGUE	ANTENNE LANG	ANTENA LARGA
3	D28781669		1	KIT GPS	KIT GPS	KIT GPS	KIT GPS
4	D28789379		1	COM UNIT	COM UNIT	COM UNIT	COM UNIT
4	D28080050		1	MODEM	MODEM	MODEM	MODEM
5	D44900189		1	ANTENNA	ANTENNE.	ANTENNE	ANTENA
6	D28780444		1	BRACKET	SUPPORT FIXATION	HALTEARM	SOPORTE
6	D44730500	DVII COMUNIT	2	GROMMET	PASSE FIL	GUMMITUELLE	PASACABLE
7	D28781638		1	HARNESS	FAISCEAU	KABELBAUM	MAZO CABLES
7	D28781727	AGCO COMUNIT	1	HARNESS	FAISCEAU	KABELBAUM	MAZO CABLES
8	D45060039		1	CABLE	CABLE	KABEL	CABLE
9	D28780709		1	BRACKET	SUPPORT FIXATION	HALTEARM	SOPORTE
10	D44900763		1	CABLE	CABLE	KABEL	CABLE



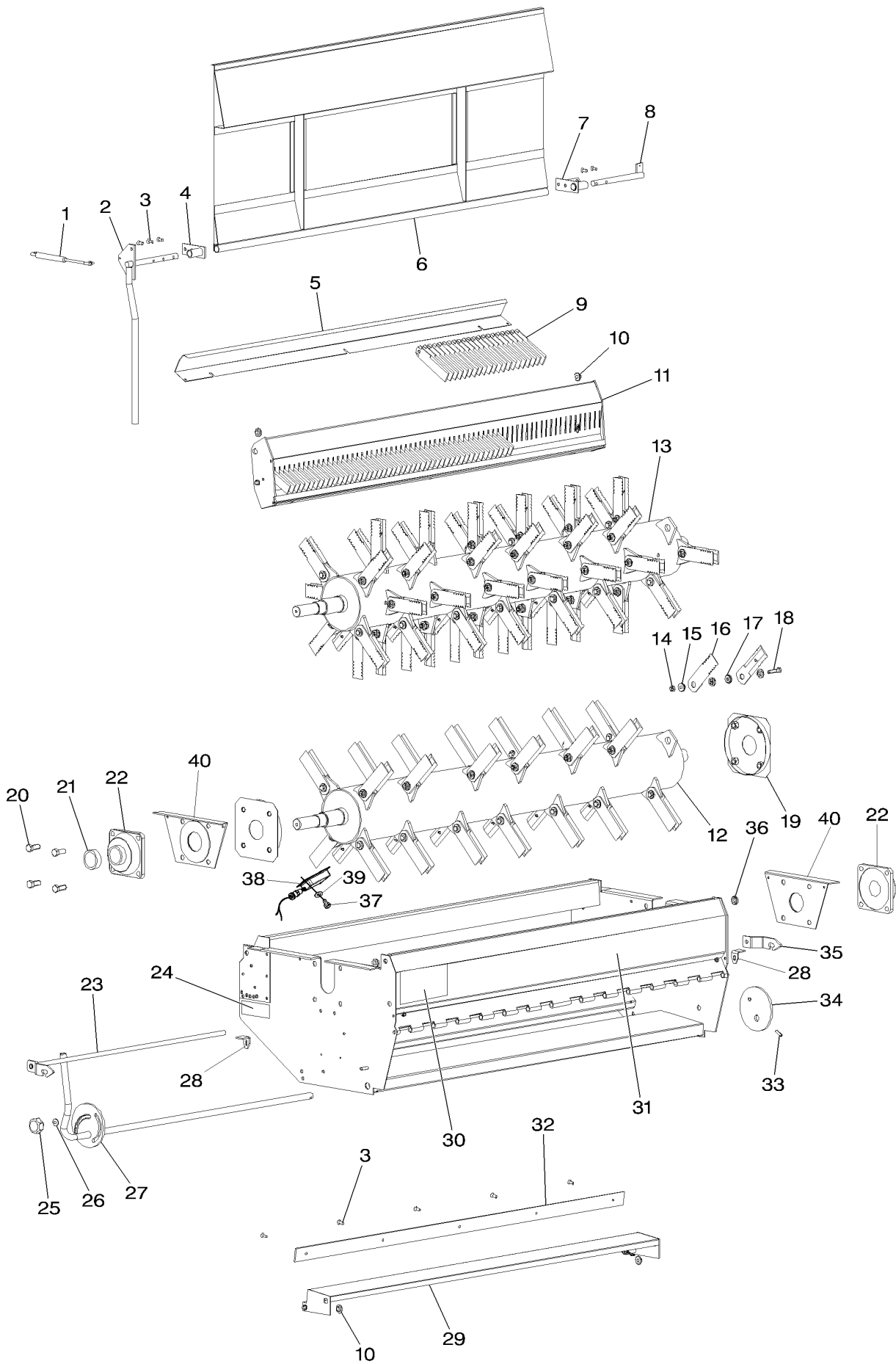
D-AGZA-012-A

1	D20400416		X	WASHER	RONDELLE	SCHEIBE	ARANDELA
2	D20400506		X	WASHER	RONDELLE	SCHEIBE	ARANDELA
3	D49073400		4	BUSH	BAGUE	RING	CASQUILLO
4	D49070143		1	DECAL	DECALCOMANIE	AUFKLEBER	CALCOMANIA
5	D49070144		2	DECAL	DECALCOMANIE	AUFKLEBER	CALCOMANIA
6	D41100900	M401	8	SPRING WASHER	RONDELLE ELASTIQ	FEDERSCHEIBE	ARANDELA ELASTI.
6	D41101200	M801	8	CUP SPRING	RONDELLE RESSORT	TELLERFEDER	CUBETA DE MUELLE
7	D49070161	M401	1	REINFORCEMENT	RENFORT	VERSTAERKUNG	REFUERZO
7	D49070162	M801	1	REINFORCEMENT	RENFORT	VERSTAERKUNG	REFUERZO
8	D49070146	M401 - 1400mm	1	BAR	BARRE	STAB	BARRA
8	D49070147	M401 - 1680mm	1	BAR	BARRE	STAB	BARRA
9	D41703000	M401	2	BEARING	COUSSINET	LAGER	COJINETE
		Ø 45mm					
9	D41701800	M801	2	BEARING CARRIER	PALIER	LAGER GEHAEUSE	COJINETE APOYO
		Ø 55mm					
10	D49060009	M401	2	GUARD	GARDE	SCHUTZVORR	DEFENSA
10	D49070148	M801	2	GUARD	GARDE	SCHUTZVORR	DEFENSA
11	394367X1	M8	X	NUT	ECROU	MUTTER	TUERCA
12	1440329X1	M10	4	LOCKNUT	ECROU FREIN	SICHERUNGSMUTTER	CONTRATUERCA
13	D49070163	M401 - 1400mm	1	HOUSING	CARTER	GEHAEUSE	ALOJAMIENTO
13	D49070164	M401 - 1680mm	1	HOUSING	CARTER	GEHAEUSE	ALOJAMIENTO
13	D49070165	M801	1	HOUSING	CARTER	GEHAEUSE	ALOJAMIENTO
14	D49070154	[A]	1	CYLINDER	CYLINDRE	ZYLINDER	CILINDRO
		M401 - 1400mm					
14	D49060091	[A]	1	SPACER	ENTRETOISE	ABSTANDSTUECK	DISCO ESPACIADOR
		M401 - 1680mm					
14	D49070150	[A]	1	CYLINDER	CYLINDRE	ZYLINDER	CILINDRO
		M801					
14	D49070153	[B]	1	CYLINDER	CYLINDRE	ZYLINDER	CILINDRO
		M401 - 1400mm					
14	D49070155	[B]	1	DRUM	TAMBOUR	TROMMEL	TAMBOR
		M401 - 1680mm					
15	339814X1	M10 X 35	4	HEX. SOCK. SCREW	VIS TETE HEX	ZYLINDERSCHRAUBE	TORN.CAB.HUECA
16	390419X1	M16 X 40	8	HEX. SOCK. SCREW	VIS TETE HEX	ZYLINDERSCHRAUBE	TORN.CAB.HUECA
		M401					
16	390419X1	M16 X 40	8	HEX. SOCK. SCREW	VIS TETE HEX	ZYLINDERSCHRAUBE	TORN.CAB.HUECA
		M801					
17	339123X1	M8 X 20	X	HEX. SOCK. SCREW	VIS TETE HEX	ZYLINDERSCHRAUBE	TORN.CAB.HUECA
18	D49070166		1	STOP	BUTEE	ANSCHLAG	PARO
19	D49070167		1	STOP	BUTEE	ANSCHLAG	PARO
20	D49070157	M401 - 1400mm	1	CROSSBAR	BARRE TRANSVERS.	QUERTRAGER	TRAVIESA
20	D49070158	M401 - 1680mm	1	TRANSVERSE	TRAVERSE	QUERTRAEGER	TRANSVERSAL
20	D49070158	M801	1	TRANSVERSE	TRAVERSE	QUERTRAEGER	TRANSVERSAL
21	D49070168	M401	1	COVER	COUVERCLE	ABDECKUNG.	CUBIERTA
21	D49070169	M801	1	COVER	COUVERCLE	ABDECKUNG.	CUBIERTA
22	D41092500	M401 - 1400mm	28	NUT	ECROU	MUTTER	TUERCA
22	D41092500	M401 - 1680mm	37	NUT	ECROU	MUTTER	TUERCA
22	D41092500	M801	54	NUT	ECROU	MUTTER	TUERCA
23	D49080067	M401 - 1400mm	56	INSERT	DOUILLE	EINSATZSTUECK	INSERCIION
23	D49080067	M401 - 1680mm	68	INSERT	DOUILLE	EINSATZSTUECK	INSERCIION
23	D49080067	M801	108	INSERT	DOUILLE	EINSATZSTUECK	INSERCIION
24	D49017100	M401 - 1400mm	56	BUSH	BAGUE	RING	CASQUILLO
24	D49017100	M401 - 1680mm	68	BUSH	BAGUE	RING	CASQUILLO
24	D49017100	M801	108	BUSH	BAGUE	RING	CASQUILLO
25	D49074600	M401 - 1400mm	56	KNIFE	COUTEAU	MESSER	CUCHILLA
25	D49074600	M401 - 1680mm	68	KNIFE	COUTEAU	MESSER	CUCHILLA
25	D49074600	M801	108	KNIFE	COUTEAU	MESSER	CUCHILLA
26	D40438600	M401 - 1400mm	28	SCREW	VIS	SCHRAUBE	TORNILLO
26	D40438600	M401 - 1680mm	34	SCREW	VIS	SCHRAUBE	TORNILLO
26	D40438600	M801	54	SCREW	VIS	SCHRAUBE	TORNILLO
27	D49070400	M401 - 1400mm	1	PLATE	PLAQUE	PLATTE	PLATO
27	D49070500	M401 - 1680mm	1	PLATE	PLAQUE	PLATTE	PLATO
27	D49070500	M801	1	PLATE	PLAQUE	PLATTE	PLATO
28	D41102100		3	WASHER	RONDELLE	SCHEIBE	ARANDELA
29	D49005700	M401 - 1400mm	56	KNIFE	COUTEAU	MESSER	CUCHILLA
29	D49005700	M401 - 1680mm	68	KNIFE	COUTEAU	MESSER	CUCHILLA
29	D49005700	M801	68	KNIFE	COUTEAU	MESSER	CUCHILLA
30	D41701900	M401	2	BALL BEARING	ROULEMENT BILLES	KUGELLAGER	COJINETE DE BOLA
30	D41701600	M401	2	BEARING	COUSSINET	LAGER	COJINETE
31	D49070117	M401 - 1400mm	1	SHAFT	ARBRE	WELLE	ARBOL
31	D49060012	M401 - 1680mm	1	SHAFT	ARBRE	WELLE	ARBOL
31	D49060012	M801	1	SHAFT	ARBRE	WELLE	ARBOL
32	D20400433		2	WASHER	RONDELLE	SCHEIBE	ARANDELA
33	D43386000		1	GRIP	POIGNEE	HANDGRIFF	MANGO
34	D41101900		1	SPRING WASHER	RONDELLE ELASTIQ	FEDERSCHEIBE	ARANDELA ELASTI.
35	D49060017		1	CONE	CONE	KONUS	CONO
36	D49070118	M401 - 1400mm	1	LEVER	LEVIER	HEBEL	PALANCA
36	D49060015	M401 - 1680mm	1	LEVER	LEVIER	HEBEL	PALANCA
36	D49060015	M801	1	LEVER	LEVIER	HEBEL	PALANCA
37	D49060013		1	HOOK	CROCHET	HAKEN	GANCHO



D-AGZA-012-A

38	D41100900		1	SPRING WASHER	RONDELLE ELASTIQ	FEDERSCHLEIBE	ARANDELA ELASTI.
39	1440716X1	M12 X 30	1	HEX. SOCK. SCREW	VIS TETE HEX	ZYLINDERSCHRAUBE	TORN.CAB.HUECA
40	D49060014		2	STOP	BUTEE	ANSCHLAG	PARO
41	D49060016		1	WASHER	RONDELLE	SCHEIBE	ARANDELA
42	339390X1		1	PIN	GOUPILLE	STIFT	PASADOR
43	D20400468		2	WASHER	RONDELLE	SCHEIBE	ARANDELA
44	D49070159	M401 - 1400mm	1	TRANSVERSE	TRAVERSE	QUERTRAEGER	TRANSVERSAL
44	D49070160	M401 - 1680mm	1	PLATE	PLAQUE	PLATTE	PLATO
44	D49070160	M801	1	PLATE	PLAQUE	PLATTE	PLATO
45	3009440X1	M401 - 1400mm	4	SCREW SPECIAL	VIS SPECIALE	SPEZIALSCHRAUBE	TORNILLO ESPEC.
		M8 X 20					
45	3009440X1	M401 - 1680mm	5	SCREW SPECIAL	VIS SPECIALE	SPEZIALSCHRAUBE	TORNILLO ESPEC.
		M8 X 20					
45	3009440X1	M801	5	SCREW SPECIAL	VIS SPECIALE	SPEZIALSCHRAUBE	TORNILLO ESPEC.
		M8 X 20					
46	339666X1	M6 X 20	X	HEX. SOCK. SCREW	VIS TETE HEX	ZYLINDERSCHRAUBE	TORN.CAB.HUECA
47	D44900989	[C]	1	BUZZER	VIBREUR	SUMMER	EMISOR CLAXON
48	391038X1	[C]	8	FLAT WASHER	RONDELLE PLATE	UNTERLEGSCHLEIBEN	ARANDELA PLANA
[A] WITH TOOTHING AVEC DENTURE MIT ZAHNUNG CON DIENTES							
[B] SMOOTH LISSE GLATT LISO							
[C] CHOPPER VIBRATION MONITOR JAUGE DE VIBRATIONS BROUYEUR HACKSLERVIBRATION MESSER MONITOR DE VIB. DE PICAPAJAS							

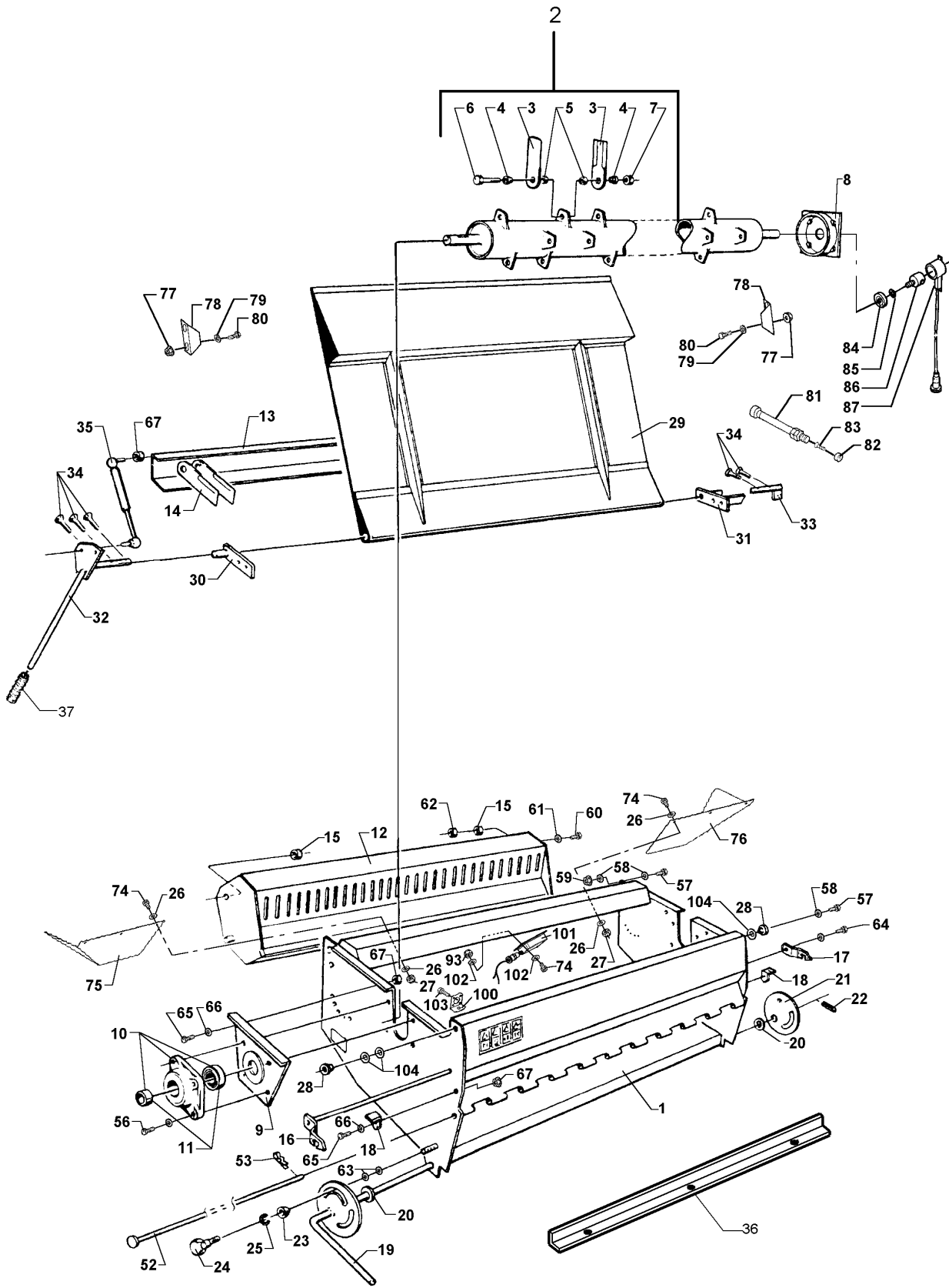


D-AGZA-013-A

1	D49070141		1	RAM	VERIN	HYDR.ZYLINDER	ARIETE
2	D49060022		1	LEVER	LEVIER	HEBEL	PALANCA
3	1441584X1		10	SCREW METRIC	VIS METRIQUE	SCHRAUBE METR	TORNILLO METRICO
4	D49060020		1	BEARING	COUSSINET	LAGER	COJINETE
5	D49070500		1	PLATE	PLAQUE	PLATTE	PLATO
6	D49070142	◄► 1400 mm	1	DEFLECTOR	DEFLECTEUR	ABWEISBLECH	DEFLECTOR
6	D49060055	◄► 1680 mm	1	DEFLECTOR	DEFLECTEUR	ABWEISBLECH	DEFLECTOR
7	D49060021		1	BEARING	COUSSINET	LAGER	COJINETE
8	D49060023		1	DEFLECTOR	DEFLECTEUR	ABWEISBLECH	DEFLECTOR
9	D49005700	◄► 1400 mm	56	KNIFE	COUTEAU	MESSER	CUCHILLA
9	D49005700	◄► 1680 mm	68	KNIFE	COUTEAU	MESSER	CUCHILLA
10	D49073400		4	BUSH	BAGUE	RING	CASQUILLO
11	D49070147	◄► 1680 mm	1	BAR	BARRE	STAB	BARRA
11	D49070146	◄► 1400 mm	1	BAR	BARRE	STAB	BARRA
12	D49070154	[A] ◄► 1400 mm	1	CYLINDER	CYLINDRE	ZYLINDER	CILINDRO
12	D49070153	◄► 1400 mm	1	CYLINDER	CYLINDRE	ZYLINDER	CILINDRO
12	D49070155	◄► 1680 mm	1	DRUM	TAMBOUR	TROMMEL	TAMBOR
13	D49070150	M800	1	CYLINDER	CYLINDRE	ZYLINDER	CILINDRO
14	D41092500	◄► 1400 mm	28	NUT	ECROU	MUTTER	TUERCA
14	D41092500	◄► 1680 mm	34	NUT	ECROU	MUTTER	TUERCA
14	D41092500	M800	54	NUT	ECROU	MUTTER	TUERCA
15	D49080067	◄► 1400 mm	56	INSERT	DOUILLE	EINSATZSTUECK	INSERCION
15	D49080067	◄► 1680 mm	68	INSERT	DOUILLE	EINSATZSTUECK	INSERCION
15	D49080067	M800	108	INSERT	DOUILLE	EINSATZSTUECK	INSERCION
16	D49074600	[A] ◄► 1400 mm	56	KNIFE	COUTEAU	MESSER	CUCHILLA
16	D49080066	◄► 1400 mm	68	KNIFE	COUTEAU	MESSER	CUCHILLA
16	D49074600	[A] ◄► 1680 mm	68	KNIFE	COUTEAU	MESSER	CUCHILLA
16	D49080066	◄► 1680 mm	68	KNIFE	COUTEAU	MESSER	CUCHILLA
16	D49074600	M800	108	KNIFE	COUTEAU	MESSER	CUCHILLA
17	D49017100	◄► 1400 mm	56	BUSH	BAGUE	RING	CASQUILLO
17	D49017100	◄► 1680 mm	68	BUSH	BAGUE	RING	CASQUILLO
18	D40438600	◄► 1400 mm	28	SCREW	VIS	SCHRAUBE	TORNILLO
18	D40438600	◄► 1680 mm	34	SCREW	VIS	SCHRAUBE	TORNILLO
18	D40438600	M800	54	SCREW	VIS	SCHRAUBE	TORNILLO
19	D49060009		2	GUARD	GARDE	SCHUTZVORR	DEFENSA
19	D49070148	M800	2	GUARD	GARDE	SCHUTZVORR	DEFENSA
20	3009507X1	M12 X 35	8	HEX. SOCK. SCREW	VIS TETE HEX	ZYLINDERSCHRAUBE	TORN.CAB.HUECA
21	D41701900	M400 ⊙ 45/85mm	2	BALL BEARING	ROULEMENT BILLES	KUGELLAGER	COJINETE DE BOLA
21	D41701600	M800 ⊙ 55/110mm	2	BEARING	COUSSINET	LAGER	COJINETE
22	D41703000	M400 ⊙ 45mm	2	BEARING	COUSSINET	LAGER	COJINETE
22	D41701800	M800 ⊙ 55mm	2	BEARING CARRIER	PALIER	LAGER GEHAEUSE	COJINETE APOYO
23	D49060012		1	SHAFT	ARBRE	WELLE	ARBOL
24	D49070144		2	DECAL	DECALCOMANIE	AUFKLEBER	CALCOMANIA
25	D43386000		1	GRIP	POIGNEE	HANDGRIFF	MANGO
26	D49060017		1	CONE	CONE	KONUS	CONO
27	D49060015		1	LEVER	LEVIER	HEBEL	PALANCA
28	D49060014		2	STOP	BUTEE	ANSCHLAG	PARO
29	D49070158	◄► 1400 mm	1	TRANSVERSE	TRAVERSE	QUERTRAEGER	TRANSVERSAL
30	D49070143		1	DECAL	DECALCOMANIE	AUFKLEBER	CALCOMANIA
31	D49070151	◄► 1400 mm	1	STRAW CHOPPER	BROYEUR PAILLE	STROHHAECKSLER	PICAPAJA
31	D49070149	◄► 1680 mm	1	STRAW CHOPPER	BROYEUR PAILLE	STROHHAECKSLER	PICAPAJA
32	D49070159	◄► 1400 mm	1	TRANSVERSE	TRAVERSE	QUERTRAEGER	TRANSVERSAL
32	D49070160	◄► 1680 mm	1	PLATE	PLAQUE	PLATTE	PLATO
33	339390X1		1	PIN	GOUPILLE	STIFT	PASADOR
34	D49060016		1	WASHER	RONDELLE	SCHEIBE	ARANDELA
35	D49060013		1	HOOK	CROCHET	HAKEN	GANCHO
36	D49071600		2	BUSH	BAGUE	RING	CASQUILLO
37	339666X1	M6 X 20	X	HEX. SOCK. SCREW	VIS TETE HEX	ZYLINDERSCHRAUBE	TORN.CAB.HUECA
38	D44900989	[B]	1	BUZZER	VIBREUR	SUMMER	EMISOR CLAXON
39	391038X1	[B]	8	FLAT WASHER	RONDELLE PLATE	UNTERLEGSCHIEBEN	ARANDELA PLANA
40	D49070181		1	SUPPORT	SUPPORT	TRAGER	SOPORTE

[A] WITH TOOTHING
 AVEC DENTURE
 MIT ZAHNUNG
 CON DIENTES

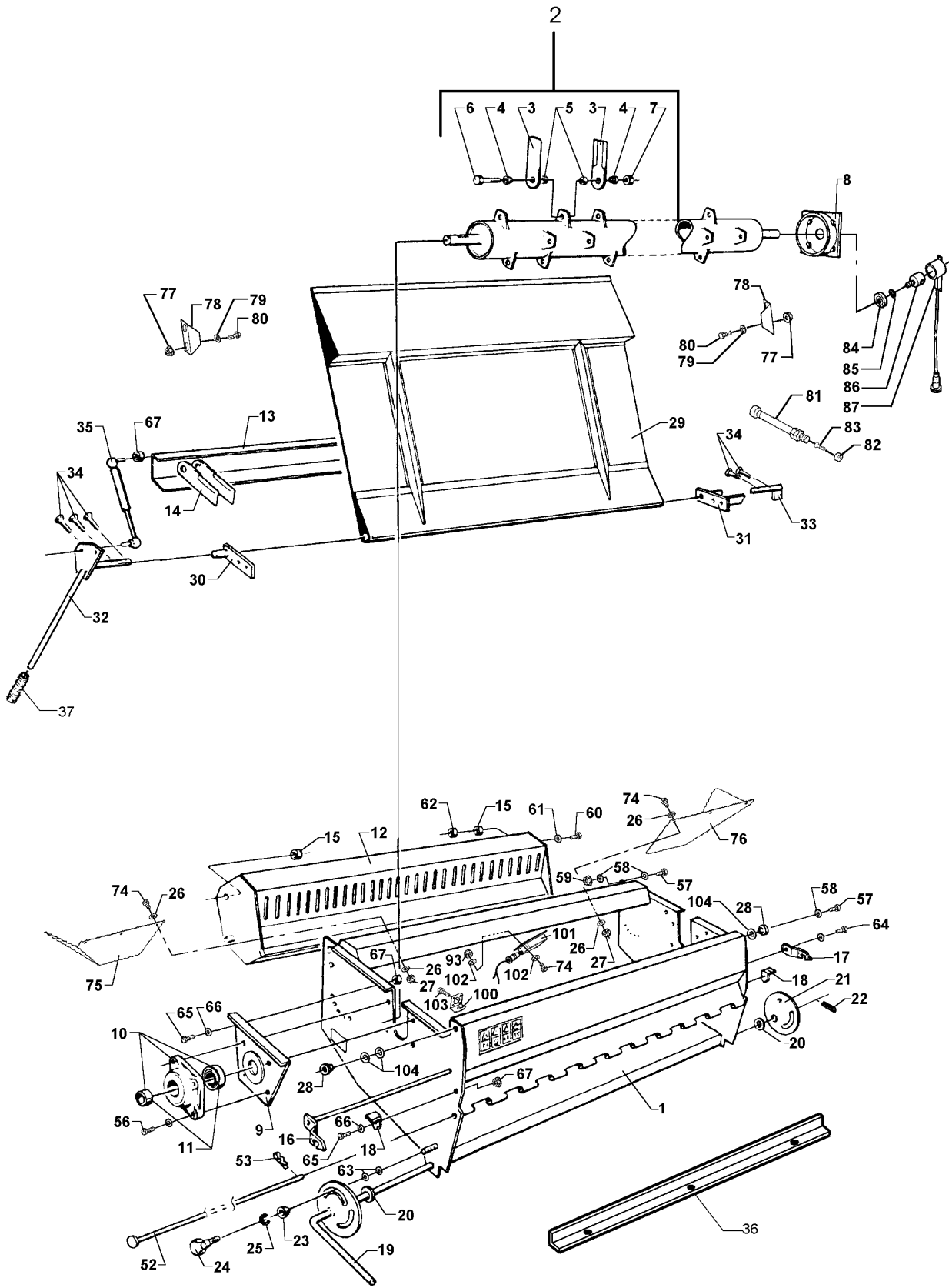
[B] CHOPPER VIBRATION MONITOR
 JAUGE DE VIBRATIONS BROYEUR
 HACKSLERVIBRATION MESSER
 MONITOR DE VIB. DE PICAPAJAS



D-AGZA-001-A

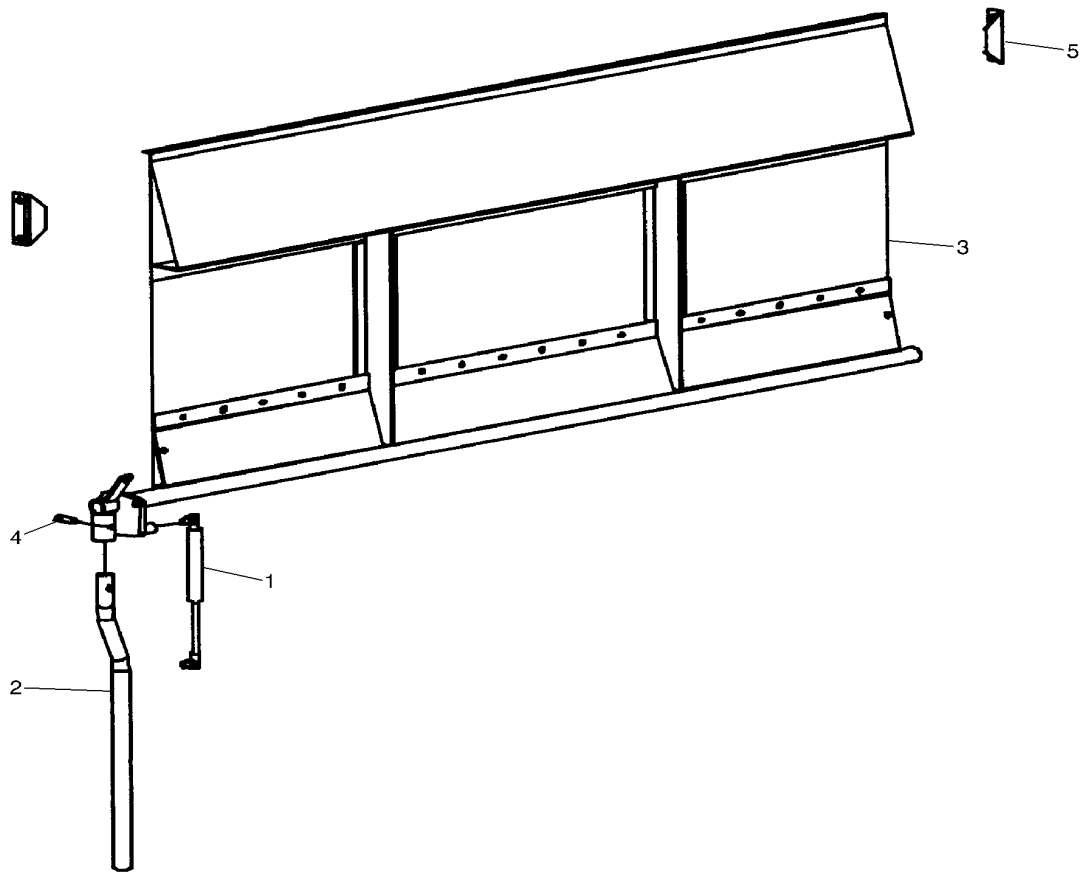
1	D49060041		1	STRAW CHOPPER	BROYEUR PAILLE	STROHHAECKSLER	PICAPAJA
1	D49060089	1	1	STRAW CHOPPER	BROYEUR PAILLE	STROHHAECKSLER	PICAPAJA
2	D49070155	1	1	DRUM	TAMBOUR	TROMMEL	TAMBOR
3	D49080066	2	68	KNIFE	COUTEAU	MESSER	CUCHILLA
4	D49080067	2	68	INSERT	DOUILLE	EINSATZSTUECK	INSERCION
5	D49017100	2	68	BUSH	BAGUE	RING	CASQUILLO
6	D40438600	2	34	SCREW	VIS	SCHRAUBE	TORNILLO
7	D41092500	2	34	NUT	ECROU	MUTTER	TUERCA
8	D49060009	1	2	GUARD	GARDE	SCHUTZVORR	DEFENSA
9	D49060010	1	2	REINFORCEMENT	RENFORT	VERSTAERKUNG	REFUERZO
10	D41703000	1	2	BEARING	COUSSINET	LAGER	COJINETE
11	D41701900	1	2	BALL BEARING	ROULEMENT BILLES	KUGELLAGER	COJINETE DE BOLA
12	D49060011	1	1	BAR	BARRE	STAB	BARRA
12	D49070116	1	1	KNIFE	COUTEAU	MESSER	CUCHILLA
13	D49070500	1	1	PLATE	PLAQUE	PLATTE	PLATO
14	D49005700	1	68	KNIFE	COUTEAU	MESSER	CUCHILLA
15	D49073400	1	2	BUSH	BAGUE	RING	CASQUILLO
16	D49060012	1	1	SHAFT	ARBRE	WELLE	ARBOL
17	D49060013	1	1	HOOK	CROCHET	HAKEN	GANCHO
18	D49060014	1	2	STOP	BUTEE	ANSCHLAG	PARO
19	D49060015	1	1	LEVER	LEVIER	HEBEL	PALANCA
19	D49070118	1	1	LEVER	LEVIER	HEBEL	PALANCA
20	D20400468	1	2	WASHER	RONDELLE	SCHEIBE	ARANDELA
21	D49060016	1	1	WASHER	RONDELLE	SCHEIBE	ARANDELA
22	339390X1	1	1	PIN	GOUPILLE	STIFT	PASADOR
23	D49060017	1	1	CONE	CONE	KONUS	CONO
24	D43386000	1	1	GRIP	POIGNEE	HANDGRIFF	MANGO
25	D41101900	1	1	SPRING WASHER	RONDELLE ELASTIQ	FEDERSCHEIBE	ARANDELA ELASTI.
26	390971X1		X	FLAT WASHER	RONDELLE PLATE	UNTERLEGSCHIEBEN	ARANDELA PLANA
27	1441462X1	M6	X	LOCKNUT	ECROU FREIN	SICHERUNGSMUTTER	CONTRATUERCA
28	D49071600	1	2	BUSH	BAGUE	RING	CASQUILLO
29	D49060055	1	1	DEFLECTOR	DEFLECTEUR	ABWEISBLECH	DEFLECTOR
30	D49060020	1	1	BEARING	COUSSINET	LAGER	COJINETE
31	D49060021	1	1	BEARING	COUSSINET	LAGER	COJINETE
32	D49060022	1	1	LEVER	LEVIER	HEBEL	PALANCA
33	D49060023	1	1	DEFLECTOR	DEFLECTEUR	ABWEISBLECH	DEFLECTOR
34	3009440X1	1	5	SCREW SPECIAL	VIS SPECIALE	SPEZIALSCHRAUBE	TORNILLO ESPEC.
35	D45070067		1	GAS STRUT	VERIN AMORTISSEU	GASZYLINDER	CILINDRO GAS
36	D49060018		1	KIT	JEU	SATZ	JUEGO
37	D43384000		1	LEVER	LEVIER	HEBEL	PALANCA
52	D49073100		1	ROD	TRINGLE	STANGE	VARILLA
53	D44358000		1	HAIR PIN	EPINGLE	SICHERUNGSFEDER	RETENEDOR ELAST
56	3009507X1	1	8	HEX. SOCK. SCREW	VIS TETE HEX	ZYLINDERSCHRAUBE	TORN.CAB.HUECA
57	390419X1	1	4	HEX. SOCK. SCREW	VIS TETE HEX	ZYLINDERSCHRAUBE	TORN.CAB.HUECA
58	D20400433	1	6	WASHER	RONDELLE	SCHEIBE	ARANDELA
59	1442739X1	1	2	LOCKNUT	ECROU FREIN	SICHERUNGSMUTTER	CONTRATUERCA
60	3009493X1	1	2	HEX. SOCK. SCREW	VIS TETE HEX	ZYLINDERSCHRAUBE	TORN.CAB.HUECA
61	D20400416	1	2	WASHER	RONDELLE	SCHEIBE	ARANDELA
62	1440329X1	1	2	LOCKNUT	ECROU FREIN	SICHERUNGSMUTTER	CONTRATUERCA
63	D20400416	1	2	WASHER	RONDELLE	SCHEIBE	ARANDELA
64	1440716X1	1	1	HEX. SOCK. SCREW	VIS TETE HEX	ZYLINDERSCHRAUBE	TORN.CAB.HUECA
65	339123X1	1	1	HEX. SOCK. SCREW	VIS TETE HEX	ZYLINDERSCHRAUBE	TORN.CAB.HUECA
66	D20400414	1	1	WASHER	RONDELLE	SCHEIBE	ARANDELA
67	394367X1	1	1	NUT	ECROU	MUTTER	TUERCA
74	339666X1	M6 X 20	X	HEX. SOCK. SCREW	VIS TETE HEX	ZYLINDERSCHRAUBE	TORN.CAB.HUECA
75	D28181760		X	PLATE	PLAQUE	PLATTE	PLATO
76	D28181761		X	PLATE	PLAQUE	PLATTE	PLATO
77	1440329X1	M10	4	LOCKNUT	ECROU FREIN	SICHERUNGSMUTTER	CONTRATUERCA
78	D28880098		2	BRACKET	SUPPORT FIXATION	HALTEARM	SOPORTE
79	D20400471		4	WASHER	RONDELLE	SCHEIBE	ARANDELA
80	3009491X1	M10 X 20	4	HEX. SOCK. SCREW	VIS TETE HEX	ZYLINDERSCHRAUBE	TORN.CAB.HUECA
81	D28780365		1	SENSOR	DETECTEUR	SENSOR	DETECTOR
82	D45010092		1	MAGNET	AIMANT	MAGNET	IMAN
83	D40316400		1	SCREW METRIC	VIS METRIQUE	SCHRAUBE METR	TORNILLO METRICO
84	1440487X1		1	BEAR. 6203 2RS	RLT 6203 2RS	LAGER 6203 2RS	RODA. 6203 2RS
85	D20400419		1	WASHER	RONDELLE	SCHEIBE	ARANDELA
86	D28780516		1	INDUCTIVE SENSOR	CAPTEUR INDUCTIF	INDUKT EMPFANGER	CAPTADOR INDUCTI
87	D28780514		X	SENSOR	DETECTEUR	SENSOR	DETECTOR
93	1441462X1	M6	10	LOCKNUT	ECROU FREIN	SICHERUNGSMUTTER	CONTRATUERCA
100	D28780381	[A]	1	RETAINER	RETENEUR	HALTERING	RETENEDOR
101	D44900989	[B]	1	BUZZER	VIBREUR	SUMMER	EMISOR CLAXON
102	391038X1	[B]	8	FLAT WASHER	RONDELLE PLATE	UNTERLEGSCHIEBEN	ARANDELA PLANA
103	D40741200		4	SCREW	VIS	SCHRAUBE	TORNILLO
104	D20400516		3	SPACER	ENTRETOISE	ABSTANDSTUECK	DISCO ESPACIADOR

[A] OPTIONAL EQUIPMENT
 EQUIPEMENTS ACCESSOIRES
 SONDERZUBEHOR
 EQUIP. ADITAMENTO



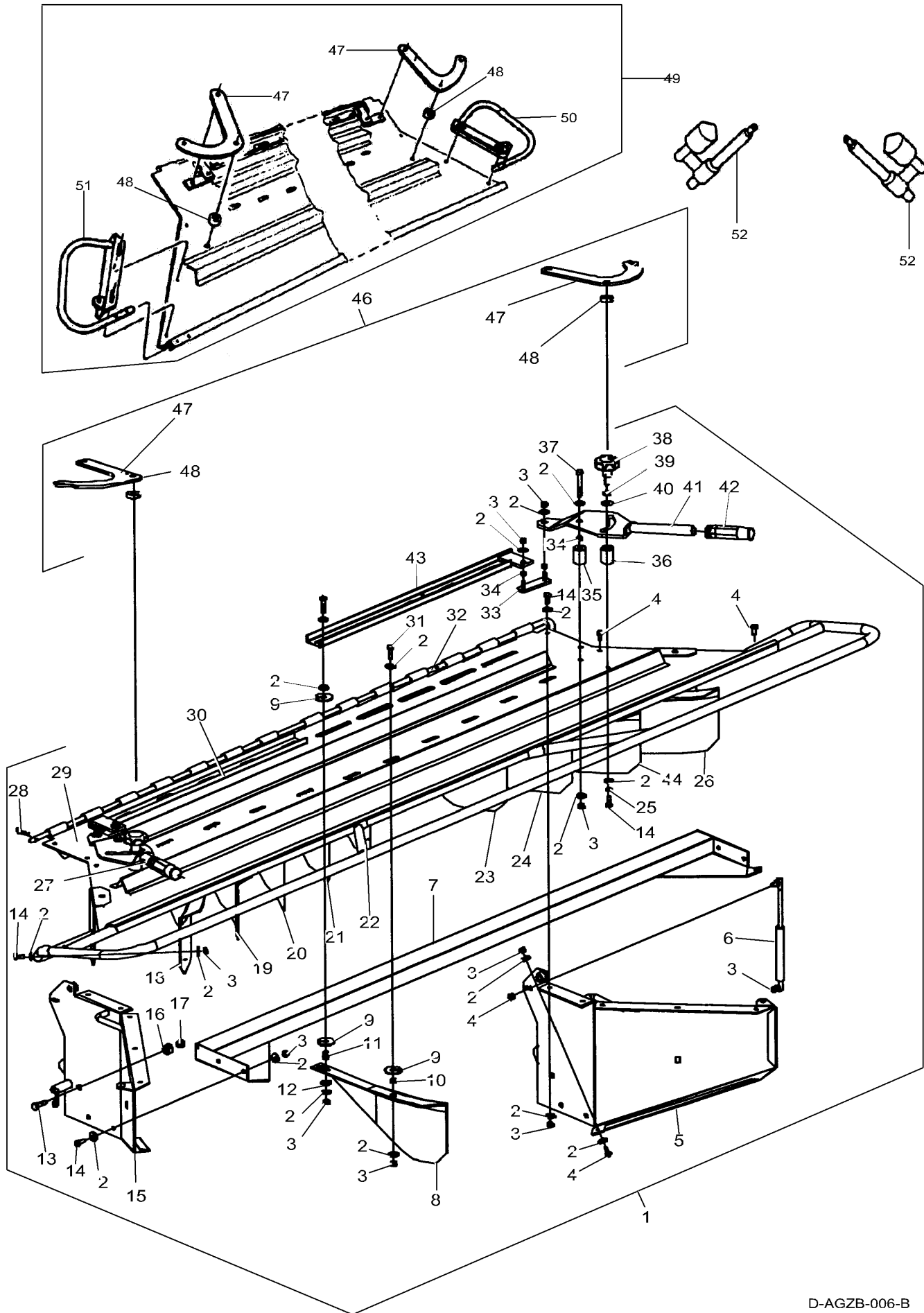
D-AGZA-001-A

[B] CHOPPER VIBRATION MONITOR
JAUGE DE VIBRATIONS BROYEUR
HACKSLERVIBRATION MESSER
MONITOR DE VIB. DE PICAPAJAS



D-AGZG-001-A

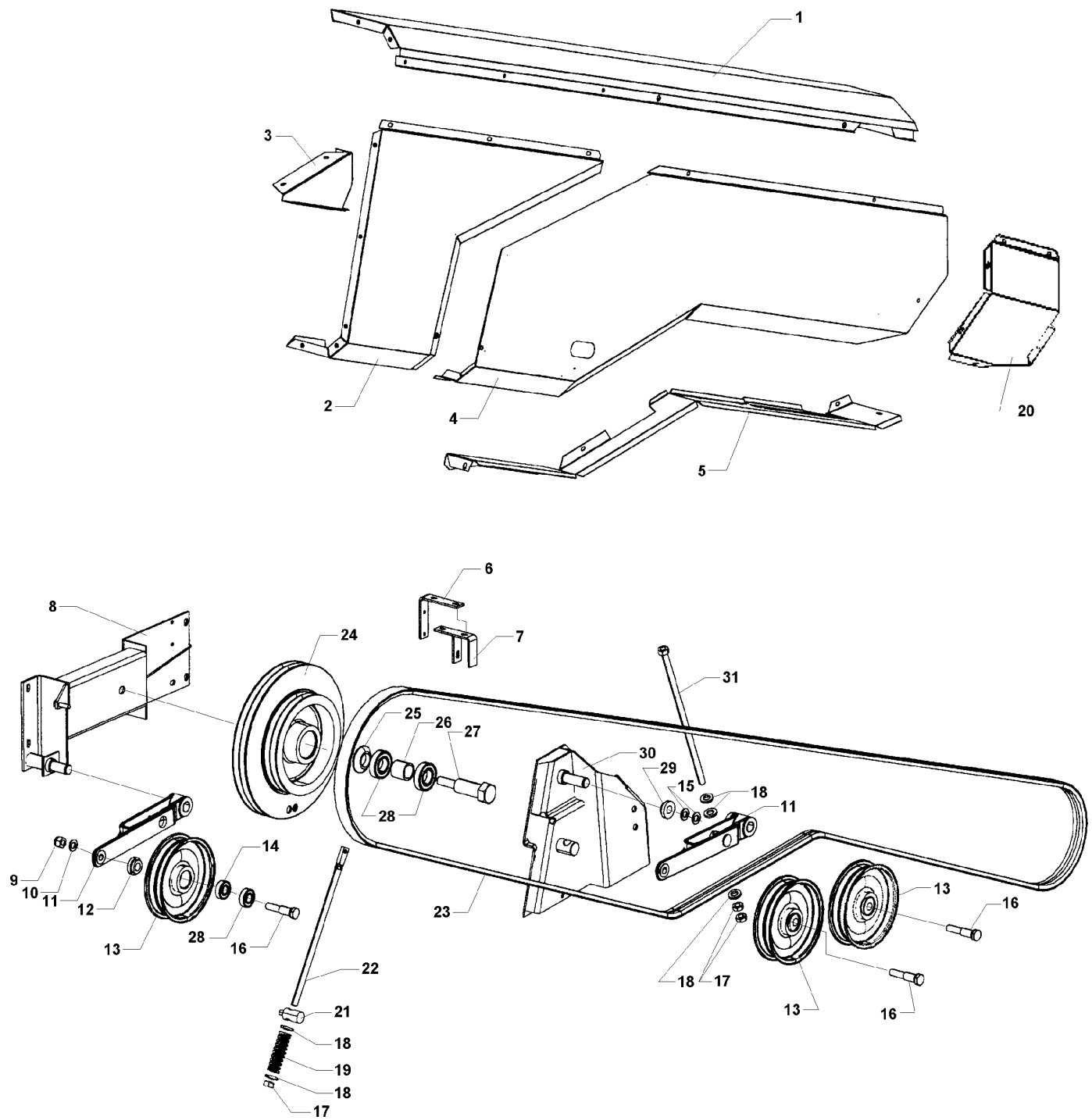
1 D45070067		1 GAS STRUT	VERIN AMORTISSEU	GASZYLINDER	CILINDRO GAS
2 D49070170		1 HAND LEVER	MANETTE	HANDHEBEL	PALANCA DE MANO
3 D49070171	◀▶ 1400 mm	1 DEFLECTOR	DEFLECTEUR	ABWEISBLECH	DEFLECTOR
3 D49070172	◀▶ 1680 mm	1 DEFLECTOR	DEFLECTEUR	ABWEISBLECH	DEFLECTOR
4 339390X1		1 PIN	GOUPILLE	STIFT	PASADOR
5 D49070173		2 STOP	BUTEE	ANSCHLAG	PARO



D-AGZB-006-B

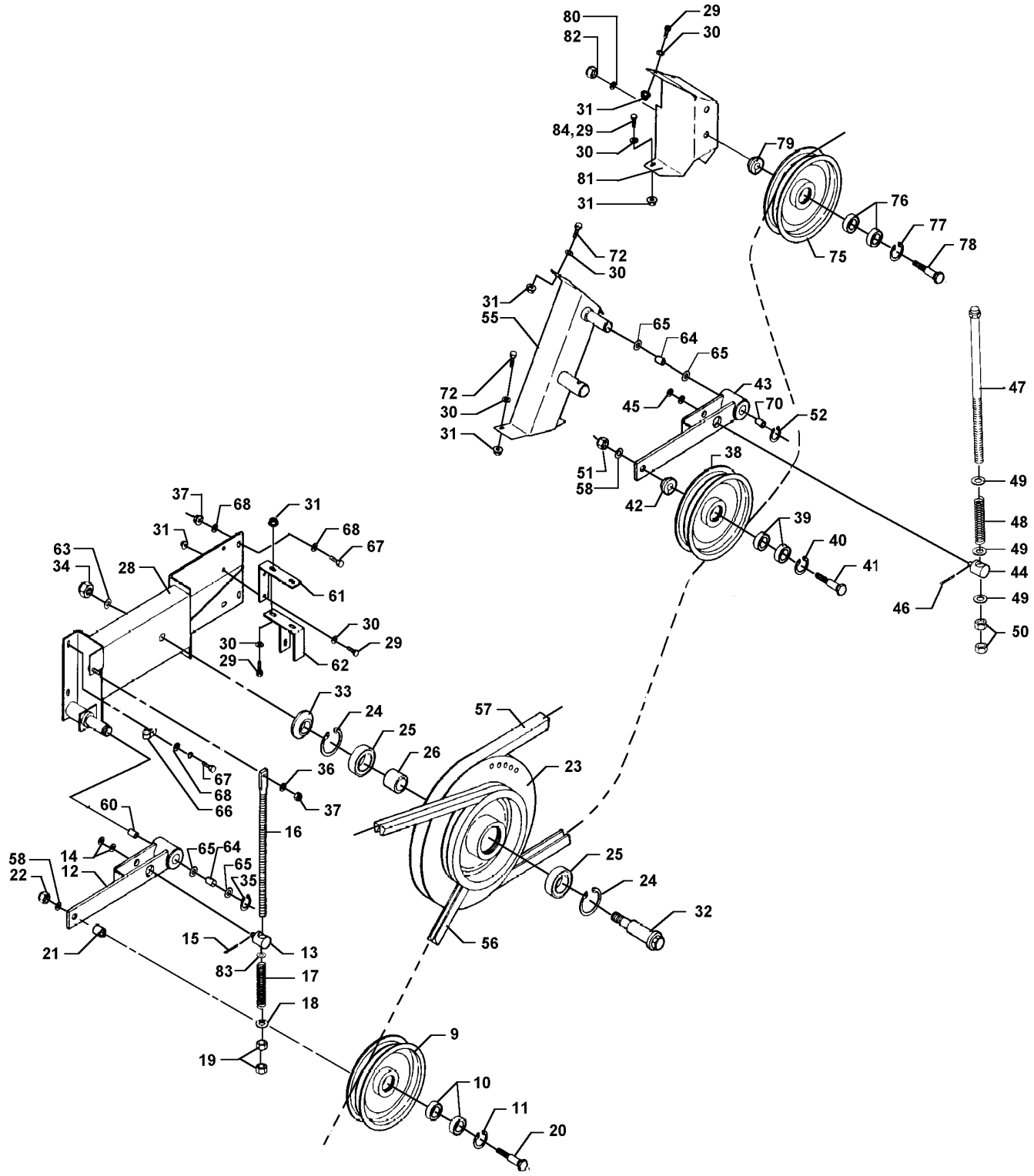
1	D49070131	◄► 1400 mm	1	HOOD	HOTTE	HAUBE	CAPO.
1	D49070136	◄► 1680 mm	1	HOOD	HOTTE	HAUBE	CAPO.
2	D20400506	1	X	WASHER	RONDELLE	SCHEIBE	ARANDELA
3	394367X1	1 M8	X	NUT	ECROU	MUTTER	TUERCA
4	339124X1	1 M8 X 16	X	HEX. SOCK. SCREW	VIS TETE HEX	ZYLINDERSCHRAUBE	TORN.CAB.HUECA
5	D49070174	1	3	PLATE	PLAQUE	PLATTE	PLATO
6	D45070067	1	2	GAS STRUT	VERIN AMORTISSEU	GASZYLINDER	CILINDRO GAS
7	D49070121	1 ◄► 1400 mm	1	REINFORCEMENT	RENFORT	VERSTAERKUNG	REFUERZO
7	D49060027	1 ◄► 1680 mm	1	REINFORCEMENT	RENFORT	VERSTAERKUNG	REFUERZO
8	D49060064	1	1	DEFLECTOR	DEFLECTEUR	ABWEISBLECH	DEFLECTOR
9	D49060086	1 ◄► 1400 mm	24	WASHER	RONDELLE	SCHEIBE	ARANDELA
9	D49060086	1 ◄► 1680 mm	30	WASHER	RONDELLE	SCHEIBE	ARANDELA
10	D49060079	1 ◄► 1400 mm	8	BUSH	BAGUE	RING	CASQUILLO
10	D49060079	1 ◄► 1680 mm	10	BUSH	BAGUE	RING	CASQUILLO
11	D49060078	1 ◄► 1400 mm	8	BUSH	BAGUE	RING	CASQUILLO
11	D49060078	1 ◄► 1680 mm	10	BUSH	BAGUE	RING	CASQUILLO
12	D49060087	1 ◄► 1400 mm	8	WASHER	RONDELLE	SCHEIBE	ARANDELA
12	D49060087	1 ◄► 1680 mm	10	WASHER	RONDELLE	SCHEIBE	ARANDELA
13	339814X1	1 M10 X 35	2	HEX. SOCK. SCREW	VIS TETE HEX	ZYLINDERSCHRAUBE	TORN.CAB.HUECA
14	339123X1	1 M8 X 20	X	HEX. SOCK. SCREW	VIS TETE HEX	ZYLINDERSCHRAUBE	TORN.CAB.HUECA
15	D49070175	1	1	PLATE	PLAQUE	PLATTE	PLATO
16	D49060038	1	2	BUSH	BAGUE	RING	CASQUILLO
17	1440329X1	1 M10	2	LOCKNUT	ECROU FREIN	SICHERUNGSMUTTER	CONTRATUERCA
18	D49060073	1 ◄► 1680 mm	1	DEFLECTOR	DEFLECTEUR	ABWEISBLECH	DEFLECTOR
19	D49060071	1	1	DEFLECTOR	DEFLECTEUR	ABWEISBLECH	DEFLECTOR
20	D49060069	1	1	DEFLECTOR	DEFLECTEUR	ABWEISBLECH	DEFLECTOR
21	D49060067	1	1	DEFLECTOR	DEFLECTEUR	ABWEISBLECH	DEFLECTOR
22	D49060065	1	1	DEFLECTOR	DEFLECTEUR	ABWEISBLECH	DEFLECTOR
23	D49060066	1	1	DEFLECTOR	DEFLECTEUR	ABWEISBLECH	DEFLECTOR
24	D49060068	1	1	DEFLECTOR	DEFLECTEUR	ABWEISBLECH	DEFLECTOR
25	D41102100	1	2	WASHER	RONDELLE	SCHEIBE	ARANDELA
26	D49060072	1 ◄► 1680 mm	1	DEFLECTOR	DEFLECTEUR	ABWEISBLECH	DEFLECTOR
27	D49060083	1	1	LEVER	LEVIER	HEBEL	PALANCA
28	D44358000	1	1	HAIR PIN	EPIINGLE	SICHERUNGSFEDER	RETENADOR ELAST
29	D49070176	1 ◄► 1400 mm	1	DEFLECTOR	DEFLECTEUR	ABWEISBLECH	DEFLECTOR
29	D49070177	1 ◄► 1680 mm	1	DEFLECTOR	DEFLECTEUR	ABWEISBLECH	DEFLECTOR
30	D49060075	1 ◄► 1400 mm	1	RAIL	RAIL	SCHIENE	RIEL
30	D49060077	1 ◄► 1680 mm	1	RAIL	RAIL	SCHIENE	RIEL
31	339761X1	1 ◄► 1400 mm	8	HEX. SOCK. SCREW	VIS TETE HEX	ZYLINDERSCHRAUBE	TORN.CAB.HUECA
		M8 X 25					
31	339761X1	1 ◄► 1680 mm	10	HEX. SOCK. SCREW	VIS TETE HEX	ZYLINDERSCHRAUBE	TORN.CAB.HUECA
		M8 X 25					
32	D49070122	1 ◄► 1400 mm	1	ROD	TRINGLE	STANGE	VARILLA
32	D49060039	1 ◄► 1680 mm	1	ROD	TRINGLE	STANGE	VARILLA
33	D49060080	1	2	LINK	MAILLON	GLIED	ESLABON
34	D49060081	1	6	BUSH	BAGUE	RING	CASQUILLO
35	D49060084	1	2	BUSH	BAGUE	RING	CASQUILLO
36	D49060085	1	2	THREADED BUSH	DOUILLE FILETEE	GEWINDEBUCHSE	BUJE ROSCADO
37	339368X1	1 M8 X 60	2	HEX. SOCK. SCREW	VIS TETE HEX	ZYLINDERSCHRAUBE	TORN.CAB.HUECA
38	D49070800	1	2	SCREW	VIS	SCHRAUBE	TORNILLO
39	D41100900	1	2	SPRING WASHER	RONDELLE ELASTIQ	FEDERSCHEIBE	ARANDELA ELASTI.
40	D20400426	1	2	WASHER	RONDELLE	SCHEIBE	ARANDELA
41	D49060082	1	1	LEVER	LEVIER	HEBEL	PALANCA
42	D49060088	1	2	LEVER	LEVIER	HEBEL	PALANCA
43	D49060074	1 ◄► 1400 mm	1	RAIL	RAIL	SCHIENE	RIEL
43	D49060076	1 ◄► 1680 mm	1	RAIL	RAIL	SCHIENE	RIEL
44	D49060070	1	1	DEFLECTOR	DEFLECTEUR	ABWEISBLECH	DEFLECTOR
45	339009X1	1 [A] ◄► 1400 mm M8 X 35	8	HEX. SOCK. SCREW	VIS TETE HEX	ZYLINDERSCHRAUBE	TORN.CAB.HUECA
46	D49070132		1	KIT, ADJUSTER	KIT REGLAGE	EINSTELLSATZ	JUEGO AJUSTADOR
47	D49060056		2	ARM	BRAS	SCHARHEBEL	BRAZO
48	D49060057		2	SPACER	ENTRETOISE	ABSTANDSTUECK	DISCO ESPACIADOR
49				NOT USED	NON UTILISE	NICHT VERWENDET	NO SE USA
50				NOT USED	NON UTILISE	NICHT VERWENDET	NO SE USA
51				NOT USED	NON UTILISE	NICHT VERWENDET	NO SE USA
52				NOT USED	NON UTILISE	NICHT VERWENDET	NO SE USA

[A] NOT ILLUSTRATED
 NON ILLUSTRE
 NICHT ILLUSTRIRT
 NO ILUSTRADO



D-AGZC-005-A

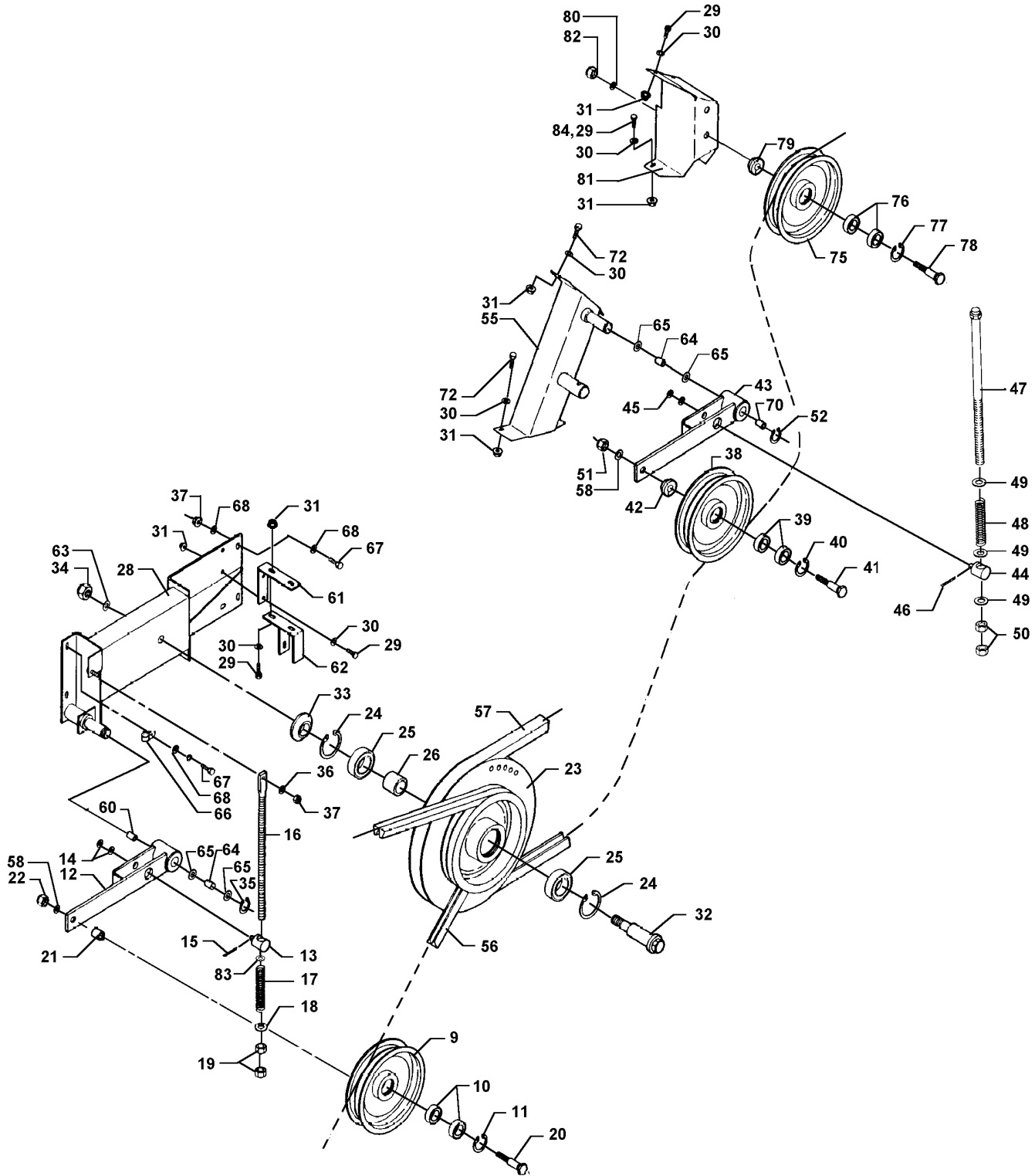
1	D28185549		1	GUARD	GARDE	SCHUTZVORR	DEFENSA
2	D28186417		1	GUARD	GARDE	SCHUTZVORR	DEFENSA
3	D28185552		1	SHIELD	TOLE	SCHILD	BLINDAJE
4	D28185550		1	GUARD	GARDE	SCHUTZVORR	DEFENSA
5	D28185551		1	SHIELD	TOLE	SCHILD	BLINDAJE
6	D28880469		1	FITTING	MONTAGE	ANSCHL.VERSCHRBG	ACCESORIO.
7	D28880471		1	YOKE	CHAPE ARTICULAT	GELENKGABEL	YUGO
8	D28880249		1	BRACKET	SUPPORT FIXATION	HALTEARM	SOPORTE
9	1442739X1	M16	1	LOCKNUT	ECROU FREIN	SICHERUNGSMUTTER	CONTRATUERCA
10	D20400459		1	WASHER	RONDELLE	SCHEIBE	ARANDELA
11	D28880495		2	LEVER	LEVIER	HEBEL	PALANCA
12	D28480457		3	SPACER	ENTRETOISE	ABSTANDSTUECK	DISCO ESPACIADOR
13	D28250441		3	PULLEY	POULIE	RIEMENSCHLEIBE	POLEA
14	339599X1		2	BEAR. 6204 2RS	RLT 6204 2RS	LAGER 6204 2RS	RODA. 6204 2RS
15	D20400530		2	SPACER	ENTRETOISE	ABSTANDSTUECK	DISCO ESPACIADOR
16	D28250444		3	BOLT	BOULON	BOLZEN	BULON
17	339034X1	M16	4	NUT	ECROU	MUTTER	TUERCA
18	D28181284		5	WASHER	RONDELLE	SCHEIBE	ARANDELA
19	D28880505		1	SPRING	RESSORT	FEDER	MUELLE
20	D28186539		1	LOCK SUPPORT	PIECE FERMETURE	VERSCHL.HALTER	LOCK SUPPORT
21	D28780030		2	PIVOT	PIVOT	DREHZAPFEN.	PIVOTE
22	D28380011		1	TIE ROD	TRINGLERIE	ZUGSTANGE	BRAZO DE ENLACE
23	D41977900		1	BELT	COURROIE	RIEMEN	CORREA
24	D28880263		1	PULLEY	POULIE	RIEMENSCHLEIBE	POLEA
25	D28851036		1	DISC	DISQUE	SCHEIBE	DISCO
26	D28880254		1	SPACER	ENTRETOISE	ABSTANDSTUECK	DISCO ESPACIADOR
27	D28880261		1	BOLT	BOULON	BOLZEN	BULON
28	D41623000		2	BEAR. 6207 2RS	RLT 6207 2RS	LAGER 6207 2RS	RODA. 6207 2RS
29	D28880489		1	BUSH	BAGUE	RING	CASQUILLO
30	D28186230		1	BRACKET	SUPPORT FIXATION	HALTEARM	SOPORTE
31	D28884141		1	TENSIONER	TENDEUR	SPANNER	SENSOR



D-AGZC-001-A

9	D28250441		1	PULLEY	POULIE	RIEMENSCHLEIBE	POLEA
10	SKF62042RS		2	BEAR. 6204 2RS	RLT 6204 2RS	LAGER 6204 2RS	RODA. 6204 2RS
11	339199X1		1	CIRCLIP	CIRCLIP	SEEGERING	GRAPA CIRCULAR
12	D28880495		1	LEVER	LEVIER	HEBEL	PALANCA
13	D28780030		1	PIVOT	PIVOT	DREHZAPFEN.	PIVOTE
14	D20400426		2	WASHER	RONDELLE	SCHEIBE	ARANDELA
15	339129X1	∅ 3,2 X 25	1	SPLIT PIN	GOUPILLE FENDUE	SPALTBOLZEN	PASADOR HENDIDO
16	D28380011		1	TIE ROD	TRINGLERIE	ZUGSTANGE	BRAZO DE ENLACE
17	D28880505		1	SPRING	RESSORT	FEDER	MUELLE
18	D28181284		1	WASHER	RONDELLE	SCHEIBE	ARANDELA
19	339034X1	M16	2	NUT	ECROU	MUTTER	TUERCA
20	D28250444		1	BOLT	BOULON	BOLZEN	BULON
21	D28880354		1	SPACER	ENTRETOISE	ABSTANDSTUECK	DISCO ESPACIADOR
22	1442739X1	M16	1	LOCKNUT	ECROU FREIN	SICHERUNGSMUTTER	CONTRATUERCA
23	D28880263		1	PULLEY	POULIE	RIEMENSCHLEIBE	POLEA
24	1440480X1		2	CIRCLIP	CIRCLIP	SEEGERING	GRAPA CIRCULAR
25	SKF62072RS		2	BEAR. 6207 2RS	RLT 6207 2RS	LAGER 6207 2RS	RODA. 6207 2RS
26	D28880254		1	SPACER	ENTRETOISE	ABSTANDSTUECK	DISCO ESPACIADOR
28	D28880249		1	BRACKET	SUPPORT FIXATION	HALTEAM	SOPORTE
29	339761X1	M8 X 25	X	HEX. SOCK. SCREW	VIS TETE HEX	ZYLINDERSCHRAUBE	TORN.CAB.HUECA
30	D20400506		X	WASHER	RONDELLE	SCHEIBE	ARANDELA
31	1440329X1	M10	X	LOCKNUT	ECROU FREIN	SICHERUNGSMUTTER	CONTRATUERCA
32	D28880261		1	BOLT	BOULON	BOLZEN	BULON
33	D28851036		1	DISC	DISQUE	SCHEIBE	DISCO
34	3010067X1		1	LOCKNUT	ECROU FREIN	SICHERUNGSMUTTER	CONTRATUERCA
35	1440476X1		1	CIRCLIP	CIRCLIP	SEEGERING	GRAPA CIRCULAR
36	D20400471		1	WASHER	RONDELLE	SCHEIBE	ARANDELA
37	1440329X1	M10	1	LOCKNUT	ECROU FREIN	SICHERUNGSMUTTER	CONTRATUERCA
38	D28250441		1	PULLEY	POULIE	RIEMENSCHLEIBE	POLEA
39	SKF62042RS		2	BEAR. 6204 2RS	RLT 6204 2RS	LAGER 6204 2RS	RODA. 6204 2RS
40	339199X1		1	CIRCLIP	CIRCLIP	SEEGERING	GRAPA CIRCULAR
41	D28250444		1	BOLT	BOULON	BOLZEN	BULON
42	D28880354		1	SPACER	ENTRETOISE	ABSTANDSTUECK	DISCO ESPACIADOR
43	D28880495		1	LEVER	LEVIER	HEBEL	PALANCA
44	D28780030		1	PIVOT	PIVOT	DREHZAPFEN.	PIVOTE
45	D20400426		1	WASHER	RONDELLE	SCHEIBE	ARANDELA
46	339129X1	∅ 3,2 X 25	1	SPLIT PIN	GOUPILLE FENDUE	SPALTBOLZEN	PASADOR HENDIDO
47	D28884141		1	TENSIONER	TENDEUR	SPANNER	SENSOR
48	D28210881		1	COMP.SPRING	RESSORT DE COMPR	DRUCKFEDER	RESORTE DE COMP.
49	D28181284		2	WASHER	RONDELLE	SCHEIBE	ARANDELA
50	339034X1	M16	2	NUT	ECROU	MUTTER	TUERCA
51	1442739X1	M16	1	LOCKNUT	ECROU FREIN	SICHERUNGSMUTTER	CONTRATUERCA
52	1440476X1		1	CIRCLIP	CIRCLIP	SEEGERING	GRAPA CIRCULAR
54	D20400471	[B]	1	WASHER	RONDELLE	SCHEIBE	ARANDELA
55	D28884125		1	SUPPORT	SUPPORT	TRAGER	SOPORTE
56	D41979600		1	BELT	COURROIE	RIEMEN	CORREA
56	D41990049	[A]	1	BELT	COURROIE	RIEMEN	CORREA
57	D41977900	[A]	1	BELT	COURROIE	RIEMEN	CORREA
57	D41978400	[A]	1	BELT	COURROIE	RIEMEN	CORREA
58	D20400459		2	WASHER	RONDELLE	SCHEIBE	ARANDELA
59	D43364000	12 [B]	1	BUSH	BAGUE	RING	CASQUILLO
60	D43364300	12	1	BUSH	BAGUE	RING	CASQUILLO
61	D28880469		1	FITTING	MONTAGE	ANSCHL.VERSCHRBG	ACCESORIO.
62	D28880471		1	YOKE	CHAPE ARTICULAT	GELENKGABEL	YUGO
63	D20400522		1	SPACER	ENTRETOISE	ABSTANDSTUECK	DISCO ESPACIADOR
64	D28880489		1	BUSH	BAGUE	RING	CASQUILLO
65	D20400530		2	SPACER	ENTRETOISE	ABSTANDSTUECK	DISCO ESPACIADOR
66	D45731100		1	RETAINER	RETENEUR	HALTERING	RETENEDOR
67	3009493X1	M10 X 30	X	HEX. SOCK. SCREW	VIS TETE HEX	ZYLINDERSCHRAUBE	TORN.CAB.HUECA
68	D20400416		X	WASHER	RONDELLE	SCHEIBE	ARANDELA
70	D43364000	43	1	BUSH	BAGUE	RING	CASQUILLO
71	D43364300	43 [B]	1	BUSH	BAGUE	RING	CASQUILLO
72	339761X1	M8 X 25	X	HEX. SOCK. SCREW	VIS TETE HEX	ZYLINDERSCHRAUBE	TORN.CAB.HUECA
75	D28250441		1	PULLEY	POULIE	RIEMENSCHLEIBE	POLEA
76	SKF62042RS		2	BEAR. 6204 2RS	RLT 6204 2RS	LAGER 6204 2RS	RODA. 6204 2RS
77	339199X1		1	CIRCLIP	CIRCLIP	SEEGERING	GRAPA CIRCULAR
78	D28250444		1	BOLT	BOULON	BOLZEN	BULON
79	D28880354		1	SPACER	ENTRETOISE	ABSTANDSTUECK	DISCO ESPACIADOR
80	D20400459		1	WASHER	RONDELLE	SCHEIBE	ARANDELA
81	D28884133		1	BRACKET	SUPPORT FIXATION	HALTEAM	SOPORTE
82	1442739X1	M16	1	LOCKNUT	ECROU FREIN	SICHERUNGSMUTTER	CONTRATUERCA
83	D20400459		1	WASHER	RONDELLE	SCHEIBE	ARANDELA
84	339337X1	M8 X 30	X	HEX. SOCK. SCREW	VIS TETE HEX	ZYLINDERSCHRAUBE	TORN.CAB.HUECA

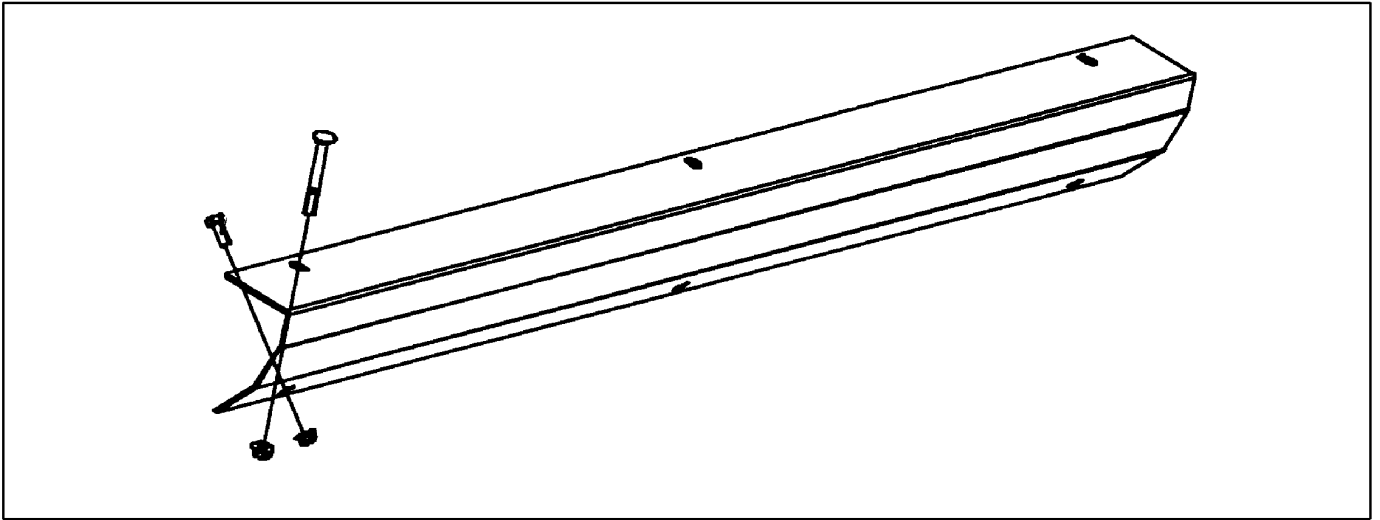
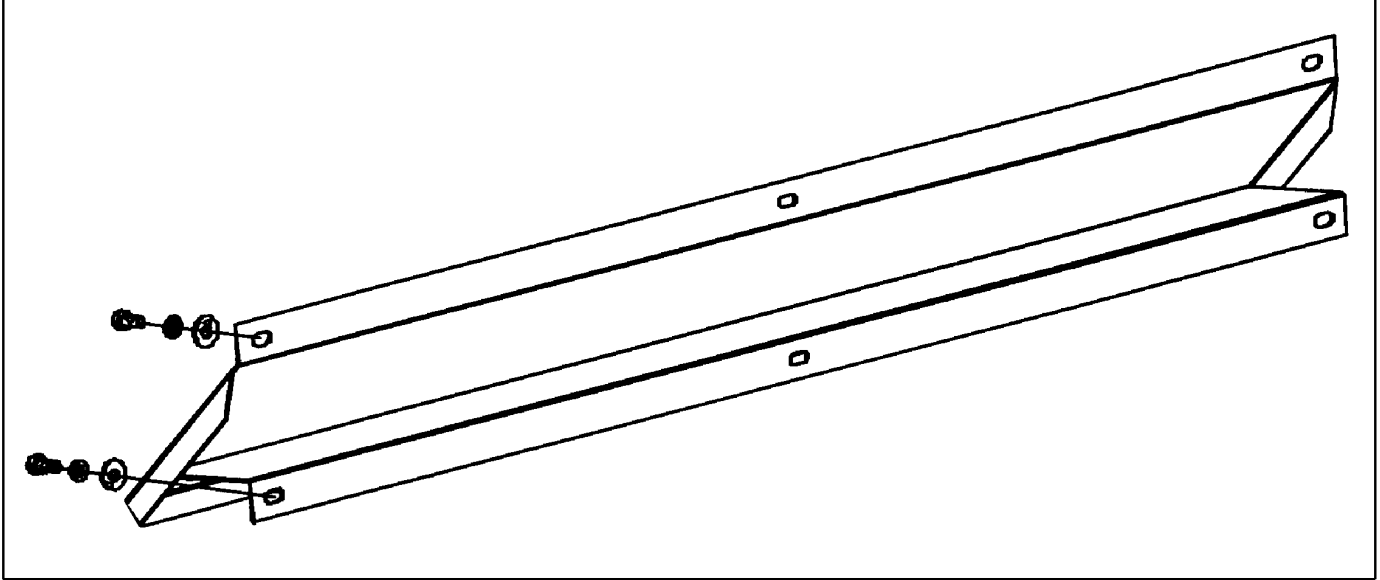
[A] REDUCED CHOP SPEED
 KIT VITESSE LENTE BROYEUR
 REDUZ. HACKSLERUMDREHUNGEN
 JUEGO REDUCTOR VELOCI. PICIPAJA



D-AGZC-001-A

[B] NOT ILLUSTRATED
NON ILLUSTRE
NICHT ILLUSTRIRT
NO ILUSTRADO

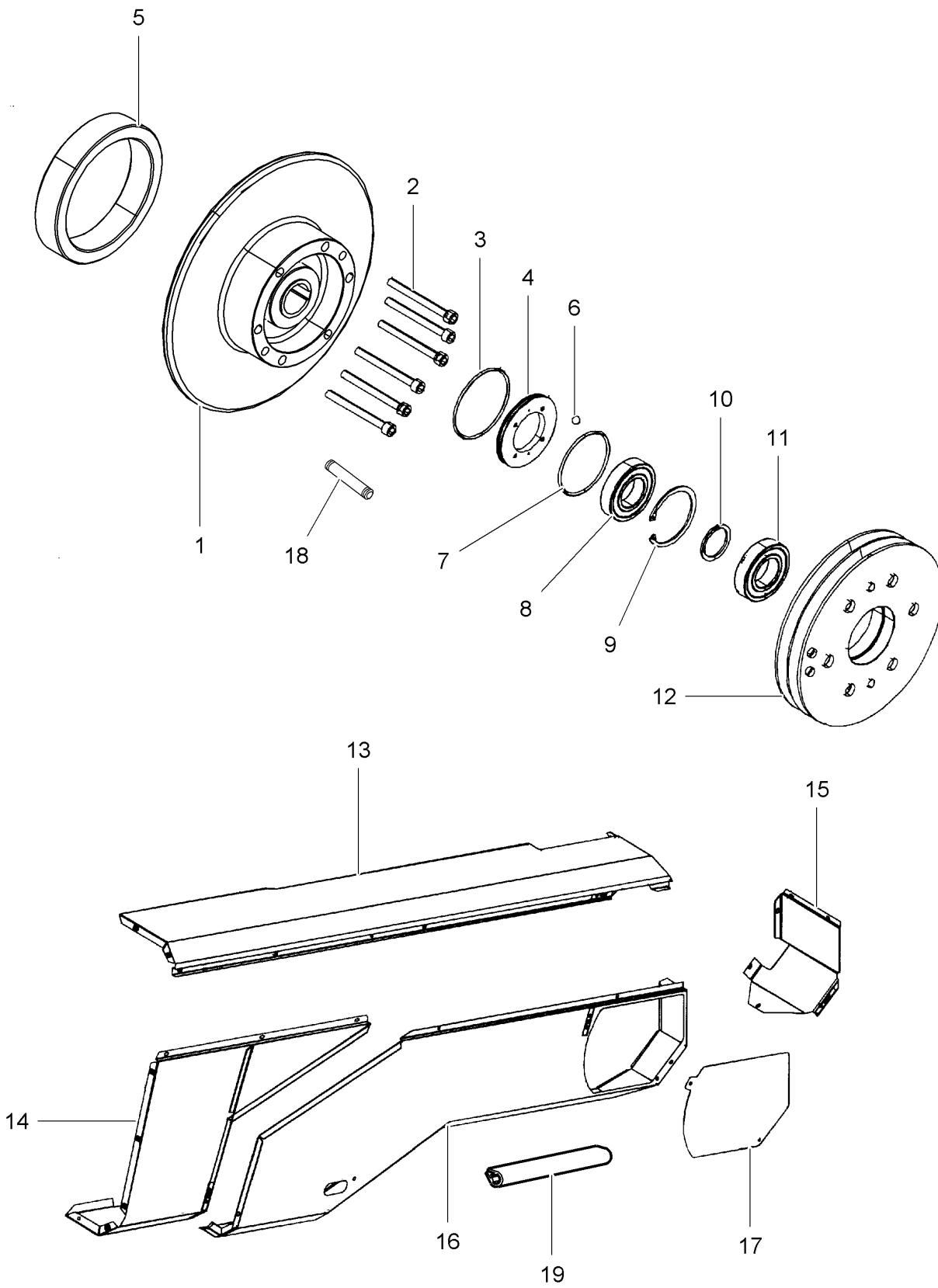
1



2

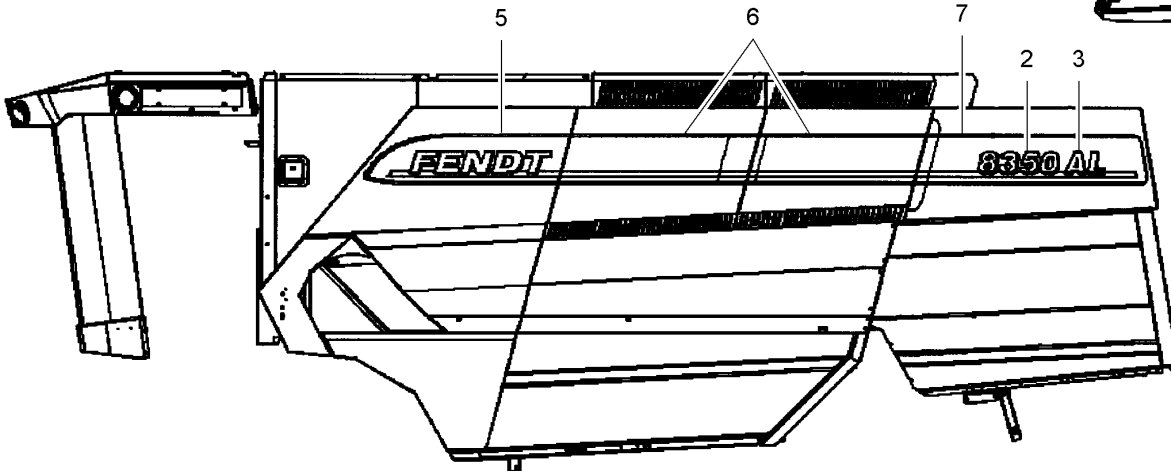
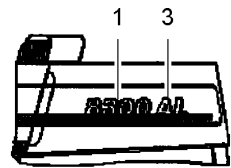
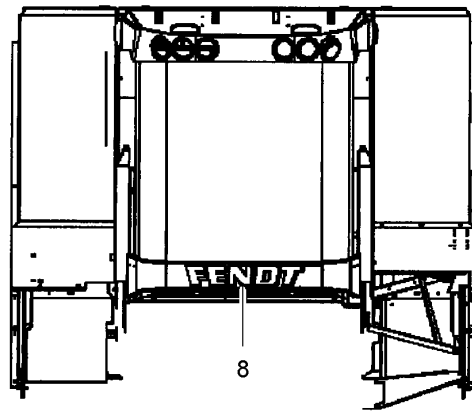
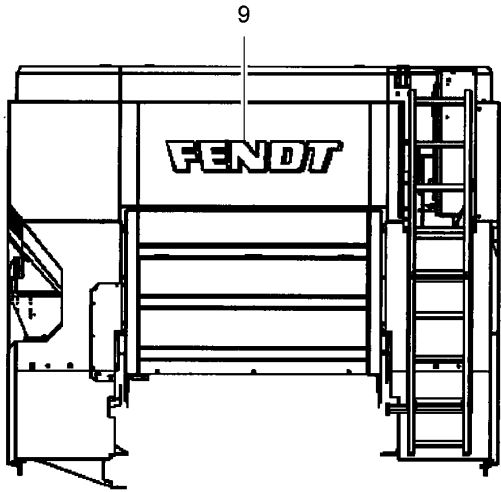
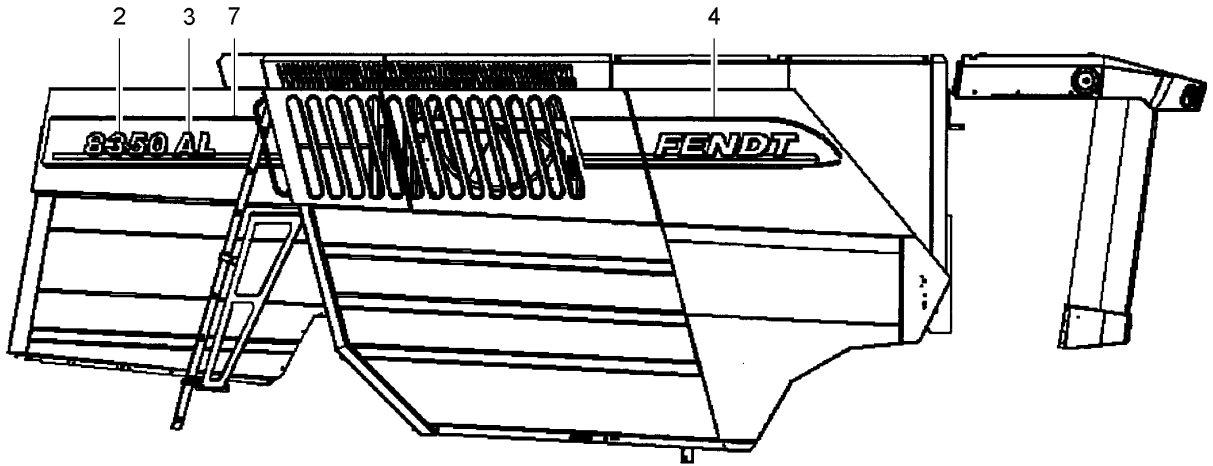
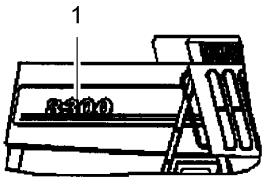
D-AGZH-002-A

1	D49070134	◀▶ 1400 mm	1	GUARD	GARDE	SCHUTZVORR	DEFENSA
1	D49070138	◀▶ 1680 mm	1	GUARD	GARDE	SCHUTZVORR	DEFENSA
2	D49070133	◀▶ 1400 mm	1	GUARD	GARDE	SCHUTZVORR	DEFENSA
		M400+401+800+801					
2	D49070137	◀▶ 1680 mm	1	SHIELD	TOLE	SCHILD	BLINDAJE
		M400+401+800+801					



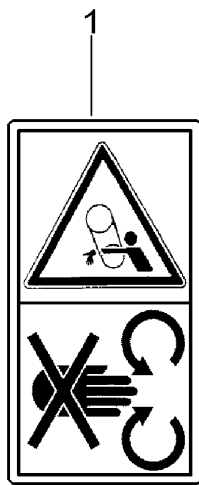
D-AGZD-006-C

1*D28884217		1 PULLEY	POULIE	RIEMENSCHLEIBE	POLEA
2*D40693300		6 SCREW	VIS	SCHRAUBE	TORNILLO
3 D45476400		1 O RING	JOINT TORIQUE	O-RING	JUNTA TOROIDAL
4 D28884216		1 LOCK WASHER	RONDELLE FREIN	SICHERUNGSRING	ARANDELA SEGURID
5*D28884235	TYPE M401-M400	1 SPRING CARRIER	SUPPORT RESSORT	FEDERTRAEGER	SOPORTE DE MUELL
6*D41649500		2 BALL	BILLE	KUGEL	BOLA
7 D45467600		1 O RING	JOINT TORIQUE	O-RING	JUNTA TOROIDAL
8 SKF62082RS		1 BEAR. 6208 2RS	RLT 6208 2RS	LAGER 6208 2RS	RODA. 6208 2RS
9 339437X1		1 CIRCLIP	CIRCLIP	SEEGERING	GRAPA CIRCULAR
10 D42599200		1 DISC	DISQUE	SCHEIBE	DISCO
11 SKF62082RS		1 BEAR. 6208 2RS	RLT 6208 2RS	LAGER 6208 2RS	RODA. 6208 2RS
12 D28884221	TYPE M401	1 PULLEY	POULIE	RIEMENSCHLEIBE	POLEA
12 D28884219	TYPE M801	1 BRACE	BRETELLE	HALTEBAND	RIOSTRA
13 D58186637		1 SHIELD	TOLE	SCHILD	BLINDAJE
14 D28186645		1 SHIELD	TOLE	SCHILD	BLINDAJE
15 D28884223		1 SHIELD	TOLE	SCHILD	BLINDAJE
16 D28884225		1 GUARD	GARDE	SCHUTZVORR	DEFENSA
17 D28884231		1 SHIELD	TOLE	SCHILD	BLINDAJE
18 D42694900		1 PIN	GOUPILLE	STIFT	PASADOR
19 D26733226	◀▶ 0,20M	1 PROTECTIVE STRIP	GAINE PROTECTION	KANTENSCHUTZ	BANDA PROTECTORA



D-AHZC-006-A

1	D49140035	1	DECAL	DECALCOMANIE	AUFKLEBER	CALCOMANIA
2	D49140036	1	DECAL	DECALCOMANIE	AUFKLEBER	CALCOMANIA
3	D49140037	1	DECAL	DECALCOMANIE	AUFKLEBER	CALCOMANIA
4	D49140038	1	DECAL	DECALCOMANIE	AUFKLEBER	CALCOMANIA
5	D49140039	1	DECAL	DECALCOMANIE	AUFKLEBER	CALCOMANIA
6	D49140040	1	DECAL	DECALCOMANIE	AUFKLEBER	CALCOMANIA
7	D49140041	1	DECAL	DECALCOMANIE	AUFKLEBER	CALCOMANIA
8	D49140042	1	DECAL	DECALCOMANIE	AUFKLEBER	CALCOMANIA
9	D49140043	1	DECAL	DECALCOMANIE	AUFKLEBER	CALCOMANIA



D-AHZD-003-A

1 D49100160

2 DECAL

DECALCOMANIE

AUFKLEBER

CALCOMANIA