

NK75038

NK75038

1104D-44

2008/03/18

The information given within this parts book was correct at the time of printing and is subject to change without notice. Always refer to your local Perkins outlet for the latest information. Only fully trained personnel should carry out servicing of engines. Before working on any engine always refer to the correct user service and maintenance manual.

Always refer to your local Perkins outlet before purchasing any parts

Subject to any existing rights of third parties, the information given in this document is the property of Perkins Engines Limited and should not be copied, in whole or part, without the prior written consent of the Company.

Contents

1.	Introduction	Pg. 4
2.	How To Use Your Parts Book	Pg. 4
3.	Engine Breakdown	Pg. 5
4.	Symbol Descriptions	Pg. 9
5.	Parts Lists & Illustrations	Pg. 11
6.	Parts Index	Pg. 152

Introduction

The build list of your engine, found on the front page of this parts book, provides a unique reference to the components fitted to your engine; therefore this parts book is only applicable to this particular engine

Always quote your build list and engine serial number when contacting your Perkins outlet.

How to use your Parts Book

This parts book has been designed to provide you with all the information you need to identify parts to service your engine. There are several features within the book to make it easy to find the parts you require.

Front Page

This lists your build list number and the date of publication of this book

Symbol Descriptions

Provides a quick reference guide to the symbols used within the book.

Engine Breakdown

Use this to identify all the major sections of your engine and the relevant pages within the book.

Parts Lists & Illustrations

This section shows each major section of your engine broken down into individual part numbers along with an associated illustration for identifying the parts you require.

The illustrations used in this parts book are representational only and should only be used for identification purposes.

For fitting instructions please refer to your engine Service Manual.

Parts Index

Using either the part number or description of the part you require this section will help you locate the page within the **Parts Lists & Illustrations** section where the part appears.

Section	Page
Level 1 - Service AAAAAANK	11
Level 2 - Repair AAAAAANK	13
Level 3 - Overhaul AAAAAANK	15
Short Engine ACE40011	17
Cylinder Block & Liners ACHN0125	19
Rear End Oil Seal ACHN0125	21
Crankshaft, Main & Big End Bearings ACHN0125	23
Pistons & Rings ACHN0125	25
Connecting Rods ACHN0125	27
Cylinder Head Assembly ACHN0125	29
Rocker Shaft Assembly ACHN0125	31
Timing Gear & Camshaft ACHN0125	33
Fuel Injection Pump AFH04761	35

Section	Page
High Pressure Fuel Pipes AFH04761	37
Atomisers AFH04761	39
Throttle & Stop Controls AFH04761	41
Pick-Up Sensor AFH04761	43
Sensors AFH04761	45
Fuel Leak-Off Pipe AFH04761	47
Flywheel Housing CDH01103	49
Flywheel & Starter Ring DDH02084	51
Starter Motor EDH00947	53
Fan Drive FBH01146	55
Sump GBH02962	57
Dipstick & Filler Tube GBH02962	59
Oil Strainer GBH02962	61

Engine Breakdown

Section	Page
Cylinder Head Cover HBH03330	63
Cylinder Head Cover HBH03330	65
Breather HBH03330	67
Blanking Plates HDH00039	69
Oil Cooler JBH02644	71
Oil Filter JBH02644	73
Blanking Plates JBH02644	75
Oil Filter JDH00044	77
Front End Drive Input KBH00725	79
Water Pump LBH02290	81
Pipes LBH02290	83
Water Outlet Housing LDH00717	85
Fan MDH01417	87

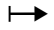
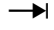
















Section	Page
Alternator NDH02864	89
Pulleys NDH02864	91
Alternator Bracket & Fixings NDH02864	93
Timing Case QCH00059	95
Timing Case QCH00059	97
Timing Cover QCH00059	99
Drive Adaptor QDH01432	101
Blanking Plugs QDH01432	103
Lubricating Oil Pump & Delivery Housing RBH00051	105
Pipework & Connections TBH01204	107
Induction Manifold TBH01204	109
Induction Manifold TBH01204	111

Section	Page
Exhaust Manifold UBH00528	113
Exhaust Connection UBH00528	115
Exhaust Outlet UDH00543	117
Lift Pump VBH02464	119
Filter to Injection Pump Pipe VBH02464	121
Injection Pump to Filter Pipe VBH02464	123
Pipework & Connections VBH02464	125
Fuel Filter VBH02464	127
Fuel Filter VBH02464	129
Fuel Filter VDH00022	131
Heater Plugs WDH00380	133
Engine Lifting Eyes XBH00474	135

Section	Page
Engine Mounts ZCH01263	137
Engine Mounts ZCH01263	139
Lubricating Oil Pressure Switch/Gauge ZJH00600	141
Lubricating Oil Pressure Switch/Gauge ZJH00600	143
Temperature Gauge & Sender ZLH00370	145
Fuel Pre-Lift Pump ZVH01069	147
Water Trap ZVH01069	149
Miscellaneous & Auxiliaries ZZH01065	151

Engine Breakdown

Symbols and Notes

Symbol	Description
	From Engine Number
	Upto Engine Number
	Repairs and Replaces
	See Appropriate Section - Reference Number
	Alternative
	Order
	Remanufactured Part
	New for Old Part
	Number of Teeth
	Thickness
	Bottom
	Top
	Left Hand
	Right Hand
	Reference for Detailed Breakdown
	Other Service Options Available
	Cylinder Number
	See History Section

AAAAAANK

Recommended stocking and service lists

Perkins provides Recommended stocking and service lists, for Distributor use when recommending parts stocks for Dealers, preferred customers (eg fleets) etc. These lists are based on agreed workshop capability and are at three distinct levels:

Level 1 - Service

The Level 1 workshop has the ability to perform basic non-intrusive maintenance on Perkins engines.

Listes recommandées pour le stock et la maintenance

Perkins fournit des listes recommandées pour le stock et la maintenance afin d'aider le Distributeur dans ses conseils aux Agents, aux clients habituels, etc.. Ces listes sont basées sur le niveau technique des Ateliers avec trois niveaux distincts :

Niveau 1- Maintenance

L'atelier de niveau 1 est capable d'exécuter l'entretien de base des moteurs Perkins (sans démontage).

Empfohlene Lagerbestands- und Servicelisten

Perkins stellt empfohlene Lagerbestands- und Servicelisten bereit, welche die Vertragshändler verwenden können, um Händlern und Kunden (z.B. Fuhrparks) einen bestimmten Ersatzteilbestand zu empfehlen. Diese Listen basieren auf den vereinbarten Werkstofffähigkeiten, welche in die folgenden drei Stufen unterteilt werden:

Stufe 1 - Service

Werkstätten der Stufe 1 können grundlegende und einfache Wartungsarbeiten an Perkins-Motoren ohne Spezialwerkzeug durchführen.

Listas de servicio y de stock recomendadas

Perkins proporciona Listas de servicio y de stock recomendadas, para que las use el Distribuidor al recomendar stocks de repuestos a los Distribuidores, a los clientes preferidos (por ejemplo, flotas), etc. Estas listas se basan en capacidad del taller acordada y se dividen en tres niveles diferentes:

Nivel 1 - Servicio

El taller del Nivel 1 puede llevar a cabo un mantenimiento no intrusivo en los motores Perkins.

Elenco parti consigliate ad uso stock ed assistenza

Perkins fornisce ai distributori un elenco di parti consigliate ad uso stock ed assistenza; ciò per soddisfare le richieste dei dealers, clienti preferenziali ecc. Questi elenchi tengono in considerazione la capacità operativa concordata con l'officina e sono distinti in tre livelli

Livello 1 - Assistenza

Il livello 1 prevede che l'officina sia in grado di operare in maniera basilare sui motori Perkins.

Level 1 - Service	Plate A
	AAAAAANK

Item	Part No.	References	Qty.	Description	Notes
1			1	LEVEL 1 - SERVICE	

AAAAANK

Recommended stocking and service lists

Perkins provides Recommended stocking and service lists, for Distributor use when recommending parts stocks for Dealers, preferred customers (eg fleets) etc. These lists are based on agreed workshop capability and are at three distinct levels:

Level 2 - Repair

The Level 2 workshop has the ability to perform maintenance service, and inspection service on Perkins engines.

Listes recommandées pour le stock et la maintenance

Perkins fournit des listes recommandées pour le stock et la maintenance afin d'aider le Distributeur dans ses conseils aux Agents, aux clients habituels, etc.. Ces listes sont basées sur le niveau technique des Ateliers avec trois niveaux distincts :

Niveau 2 - Maintenance & réparation

L'atelier de niveau 2 est capable d'exécuter toutes les opérations d'entretien, la réparation des composants externes (démarrateur, alternateur, etc) et le diagnostic pour les problèmes touchant à l'électronique

Empfohlene Lagerbestands- und Servicelisten

Perkins stellt empfohlene Lagerbestands- und Servicelisten bereit, welche die Vertragshändler verwenden können, um Händlern und Kunden (z.B. Fuhrparks) einen bestimmten Ersatzteilbestand zu empfehlen. Diese Listen basieren auf den vereinbarten Werkstattfähigkeiten, welche in die folgenden drei Stufen unterteilt werden:

Stufe 2 - Reparatur

Werkstätten der Stufe 2 können Instandsetzungs- und Inspektionsarbeiten an Perkins-Motoren durchführen.

Listas de servicio y de stock recomendadas

Perkins proporciona Listas de servicio y de stock recomendadas, para que las use el Distribuidor al recomendar stocks de repuestos a los Distribuidores, a los clientes preferidos (por ejemplo, flotas), etc. Estas listas se basan en capacidad del taller acordada y se dividen en tres niveles diferentes:

Nivel 2 - Reparación

El taller de Nivel 2 puede llevar a cabo el servicio de mantenimiento y el servicio de inspección en los motores Perkins.

Elenco parti consigiate ad uso stock ed assistenza

Perkins fornisce ai distributori un elenco di parti consigiate ad uso stock ed assistenza; ciò per soddisfare le richieste dei dealers, clienti preferenziali ecc. Questi elenchi tengono in considerazione la capacità operativa concordata con l'officina e sono distinti in tre livelli :

Livello 2 - Riparazione

Nel livello 2 l'officina è in grado di svolgere la manutenzione e di fare controlli di assistenza sui motori Perkins.

Level 2 - Repair	Plate A
	AAAAAANK

Item	Part No.	References	Qty.	Description	Notes
1			1	LEVEL 2 - REPAIR	

AAAAAANK

Recommended stocking and service lists

Perkins provides Recommended stocking and service lists, for Distributor use when recommending parts stocks for Dealers, preferred customers (eg fleets) etc. These lists are based on agreed workshop capability and are at three distinct levels:

Level 3 - Overhaul.

The Level 3 workshop has the ability to perform complete service work on Perkins engines. Can repair and fully overhaul engine, including engine test. Can perform all levels of electronics diagnosis and application related faults.

Listes recommandées pour le stock et la maintenance

Perkins fournit des listes recommandées pour le stock et la maintenance afin d'aider le Distributeur dans ses conseils aux Agents, aux clients habituels, etc.. Ces listes sont basées sur le niveau technique des Ateliers avec trois niveaux distincts :

Niveau 3 - Maintenance, reparation & refecton

L' atelier de niveau 3 est capable de couvrir toutes les opérations d'entretien des moteurs Perkins. Il peut aussi réparer et entièrement refaire des moteurs ainsi que les tester. Il est capable d'effectuer un diagnostic pour les problèmes touchant à l'électronique et aux applications.

Empfohlene Lagerbestands- und Servicelisten

Perkins stellt empfohlene Lagerbestands- und Servicelisten bereit, welche die Vertragshändler verwenden können, um Händlern und Kunden (z.B. Fuhrparks) einen bestimmten Ersatzteilbestand zu empfehlen. Diese Listen basieren auf den vereinbarten Werkstofffähigkeiten, welche in die folgenden drei Stufen unterteilt werden:

Stufe 3 - Überholung

Werkstätten der Stufe 3 können umfassende Servicearbeiten an Perkins-Motoren durchführen. Sie können Motoren reparieren und komplett überholen und außerdem Motorprüfungen durchführen. Sie können umfassende elektronische Diagnoseprüfungen durchführen und anwendungsspezifische Störungen untersuchen.

Listas de servicio y de stock recomendadas

Perkins proporciona Listas de servicio y de stock recomendadas, para que las use el Distribuidor al recomendar stocks de repuestos a los Distribuidores, a los clientes preferidos (por ejemplo, flotas), etc. Estas listas se basan en capacidad del taller acordada y se dividen en tres niveles diferentes:

Nivel 3 - Reparación general

El taller de Nivel 3 puede llevar a cabo un trabajo de servicio completo en los motores Perkins. Puede reparar y reacondicionar completamente un motor, incluyendo probar el motor. Puede llevar a cabo todos los niveles de diagnóstico electrónico y las fallas relacionadas con la aplicación.

Elenco parti consigliate ad uso stock ed assistenza

Perkins fornisce ai distributori un elenco di parti consigliate ad uso stock ed assistenza; ciò per soddisfare le richieste dei dealers, clienti preferenziali ecc. Questi elenchi tengono in considerazione la capacità operativa concordata con l'officina e sono distinti in tre livelli :

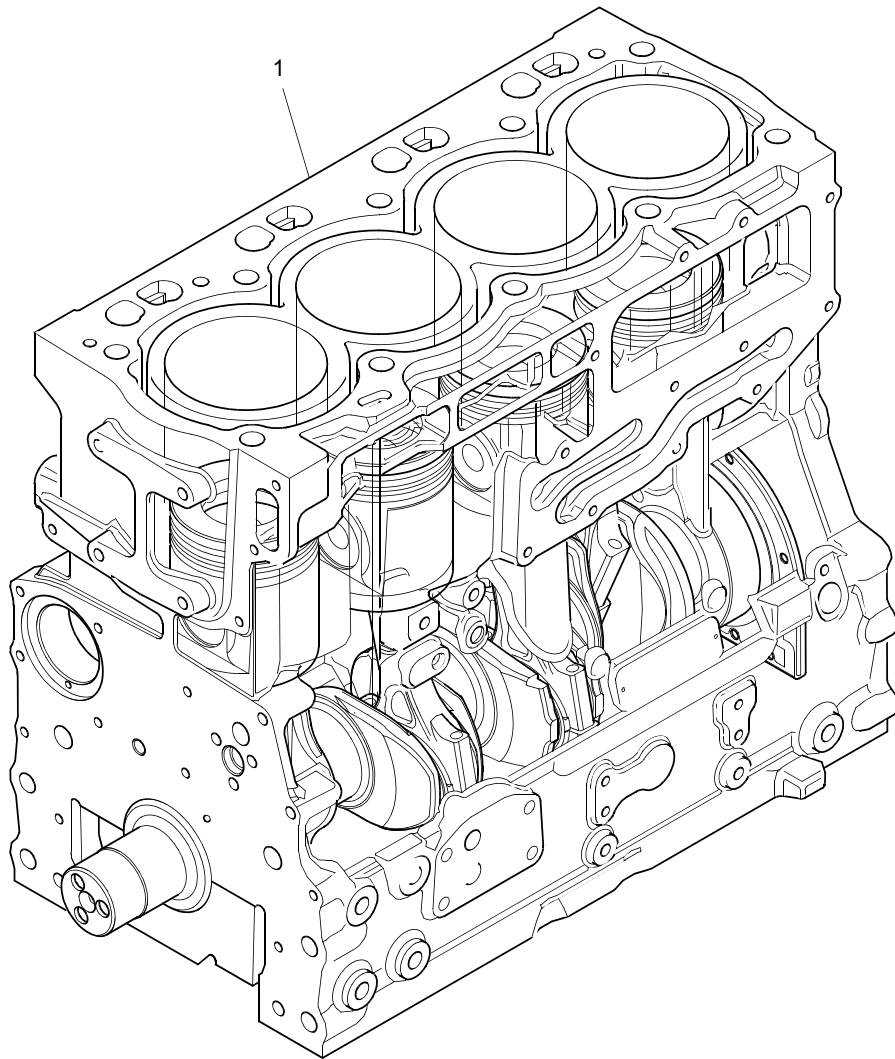
Livello 3 - Revisione

Nel livello 3 l'officina è in grado di svolgere lavori di assistenza completi sui motori Perkins. E' in grado di riparare e svolgere una revisione completa del motore, incluso le prove. Può anche effettuare diagnosi sull'elettronica a tutti i livelli e sui relativi difetti nelle applicazioni.

Level 3 - Overhaul	Plate A
	AAAAAANK

Item	Part No.	References	Qty.	Description	Notes
1			1	LEVEL 3 - OVERHAUL	

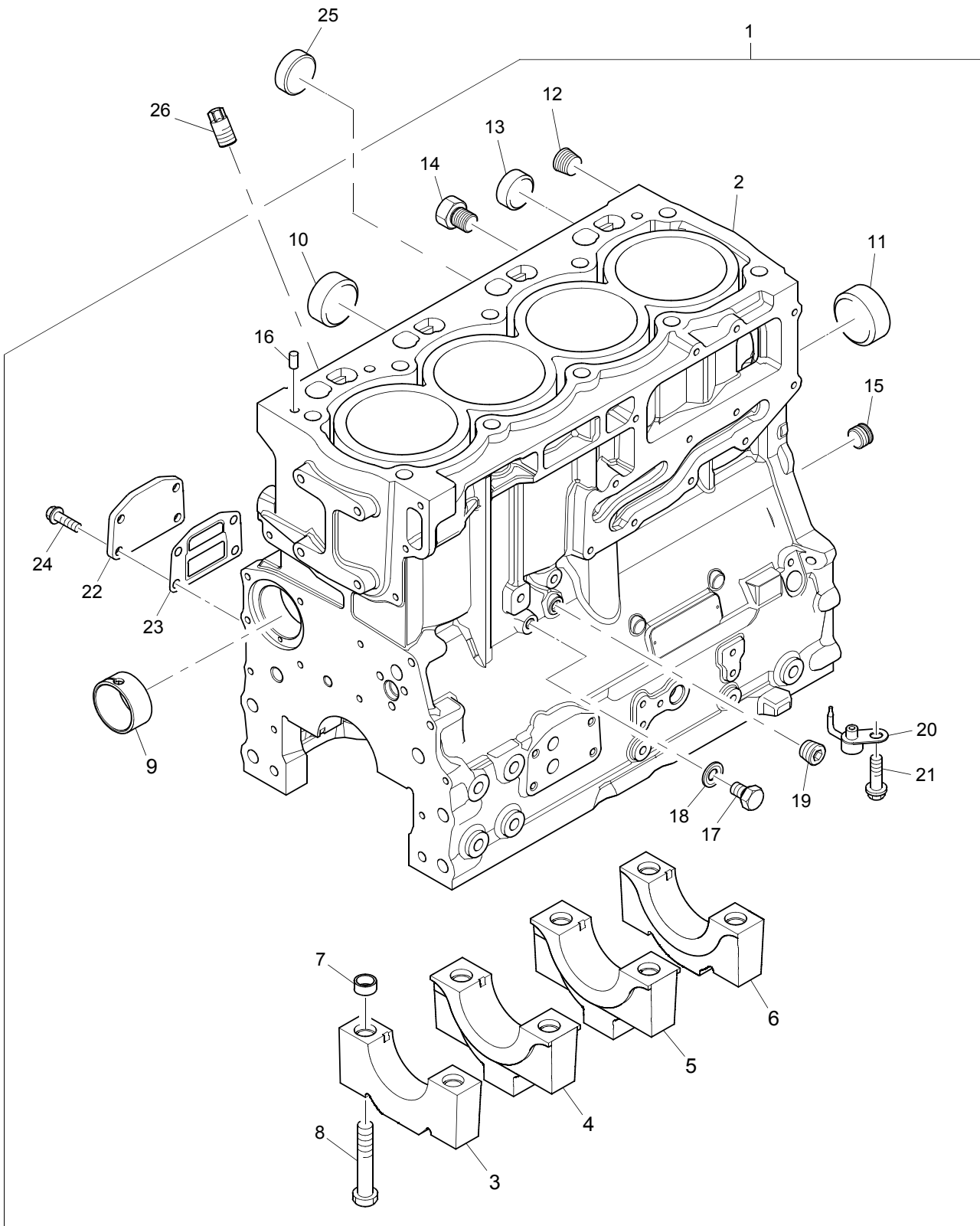
ACE40011



Short Engine		Plate A
		ACE40011

Item	Part No.	References	Qty.	Description	Notes
1	NK40011		1	SHORT ENGINE - ASSEMBLY	

ACHN0125



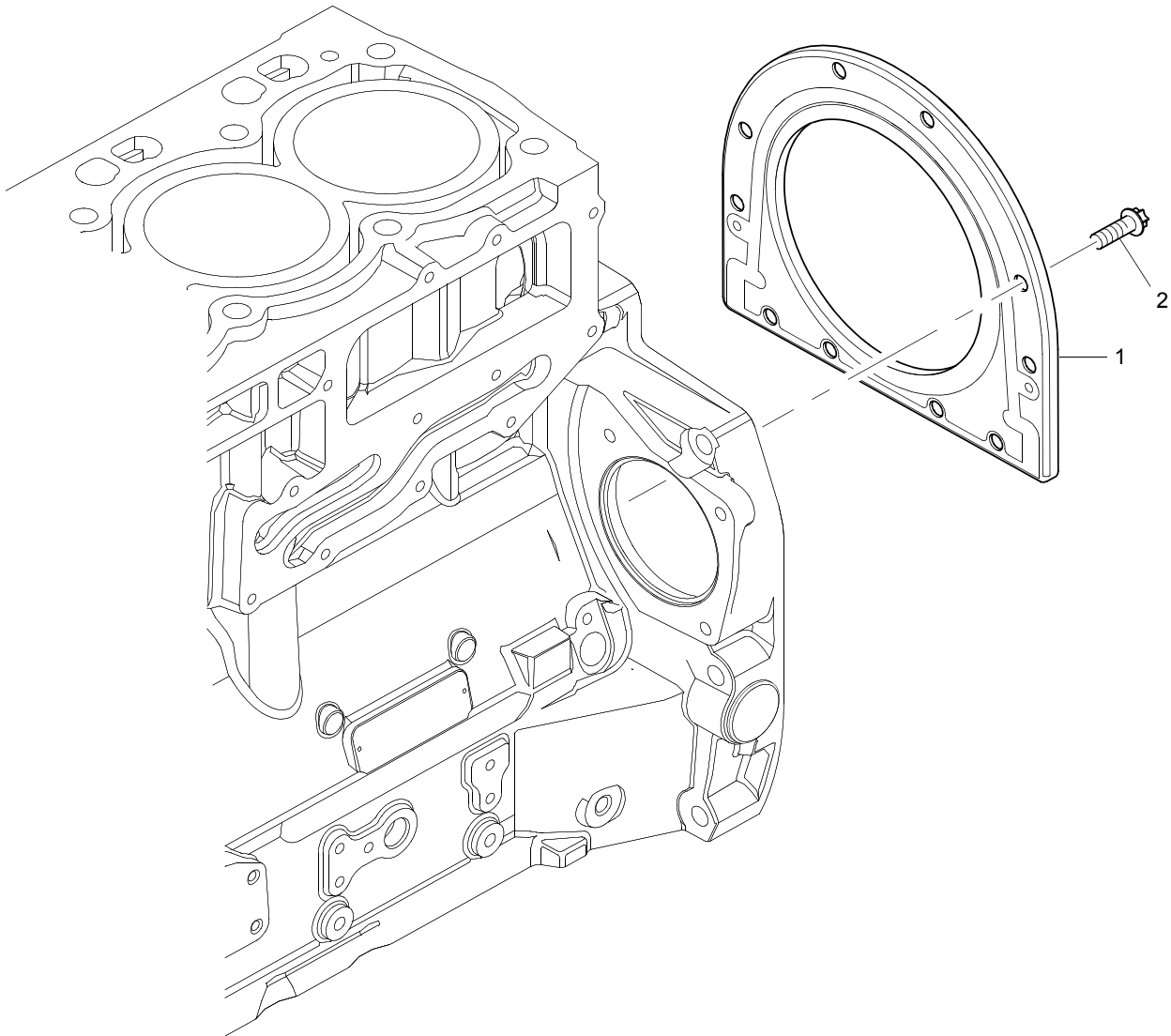
ACHN0125

Item	Part No.	References	Qty.	Description	Notes
1		⇒ TBA	1	CYLINDER BLOCK ASSEMBLY	
2		⇒ SHORT ENG	1	CYLINDER BLOCK	
3		⇒ SHORT ENG	1	BEARING CAP	
4		⇒ SHORT ENG	2	BEARING CAP	
5		⇒ SHORT ENG	1	BEARING CAP	
6		⇒ SHORT ENG	1	BEARING CAP	
7	33142111		10	THIMBLE	
8	32166329		10	SCREW	
9	3112D071		1	CAMSHAFT BUSH	
10	3241A011		2	PLUG	
11	3241A012		1	PLUG	
12	0650588		1	PLUG	
13	0650710		1	PLUG	
14	32141316		2	PLUG	
15	3212P008		1	PLUG	
16	3244A009		2	DOWEL	
17	2314C049		1	SCREW	
18	2415D053		1	WASHER	
19	0650594		1	PLUG	
20	2113A003		4	PISTON COOLING JET	
21	2314F001		4	SCREW	
22	3623A009		1	BLANKING PLATE	
23	3688A039		1	GASKET - OIL FILTER HEAD	
24	2314H033		4	SCREW	
25	2485A108		1	PLUG	(A)
26	3212V006		1	PLUG	

Footnotes

(A) LOCATES IN CYLINDER BLOCK TURBOCHARGER DRAIN POSITION TAPPINGS

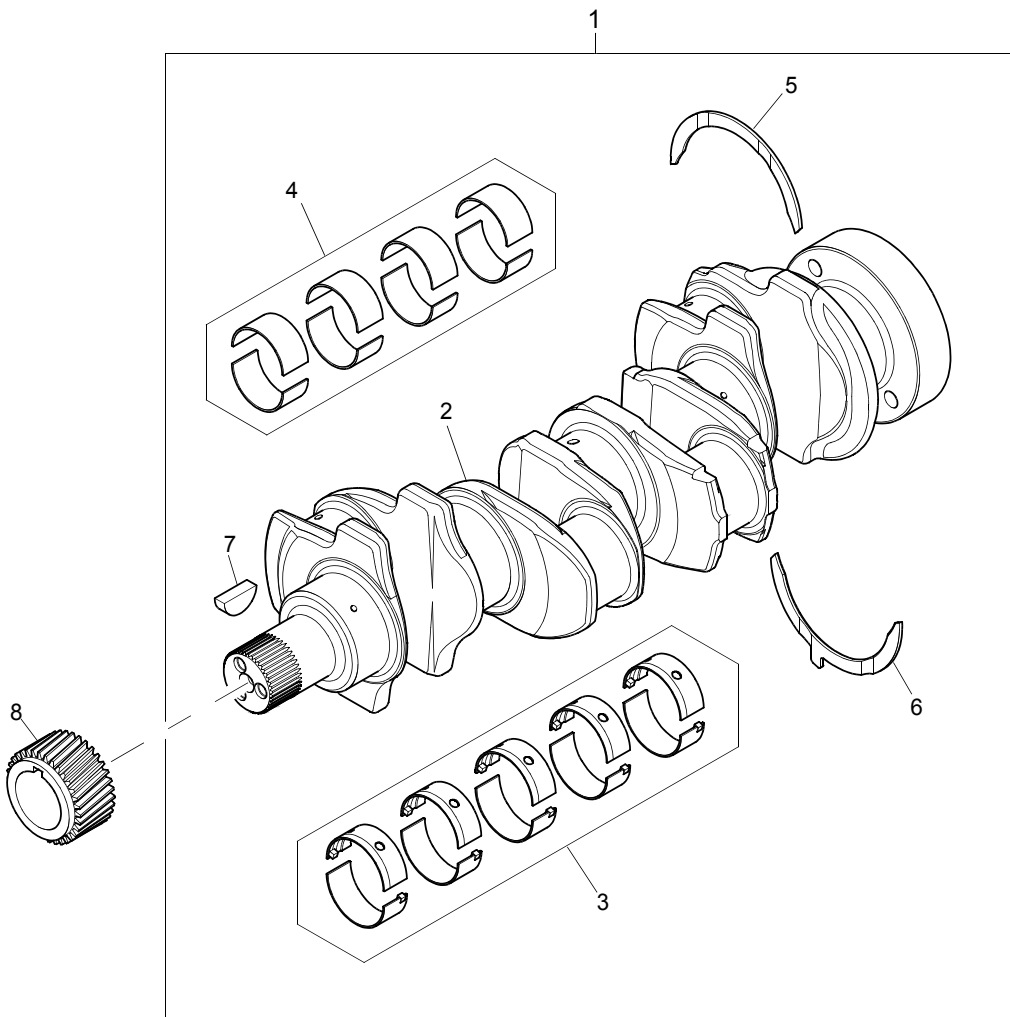
ACHN0125

















Rear End Oil Seal	Plate A
	ACHN0125

Item	Part No.	References	Qty.	Description	Notes
1	2418F704		1	SEAL - REOS HOUSING	
2	3211C002		6	METRIC BOLT	

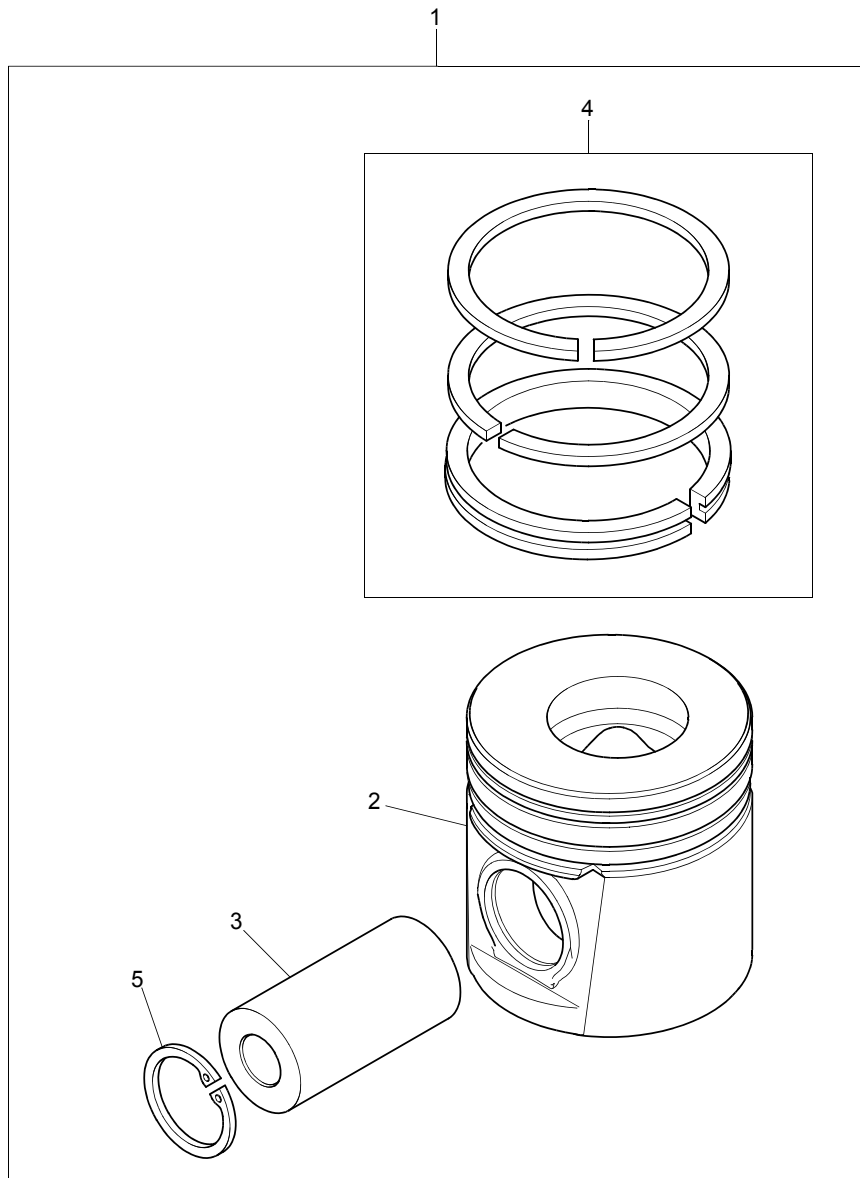
ACHN0125



ACHN0125

Item	Part No.	References	Qty.	Description	Notes
1	ZZ90222		1	CRANKSHAFT KIT	
2		 ZZ90222	1	CRANKSHAFT	
3	U5MB0018		1	MAIN BEARING KIT	
4	U5ME0026		1	BIG END BEARING KIT	
5	31137551		2	THRUST WASHER	
6	31137561		2	THRUST WASHER	
7	0500012		1	WOODRUFF KEY	
8	3117C221		1	CRANKSHAFT GEAR	
Service Options					
1	ZZ90222P		1	CRANKSHAFT KIT - EXCHANGE	
3	U5MB0018A	 (+) 0.010"	1	MAIN BEARING KIT - U/S	
3	U5MB0018B	 (+)0.020"	1	MAIN BEARING KIT - U/S	
3	U5MB0018C	 (+) 0.030"	1	MAIN BEARING KIT - U/S	
4	U5ME0026A	 (+) 0.25MM	1	BIG END BRG KIT - U/S	
4	U5ME0026B	 (+) 0.50MM	1	BIG END BRG KIT - U/S	
4	U5ME0026C	 (+)0.75MM	1	BIG END BRG KIT - U/S	
5	31137312	 (+)0.007"	2	THRUST WASHER	
6	31137322	 (+)0.007"	2	THRUST WASHER	

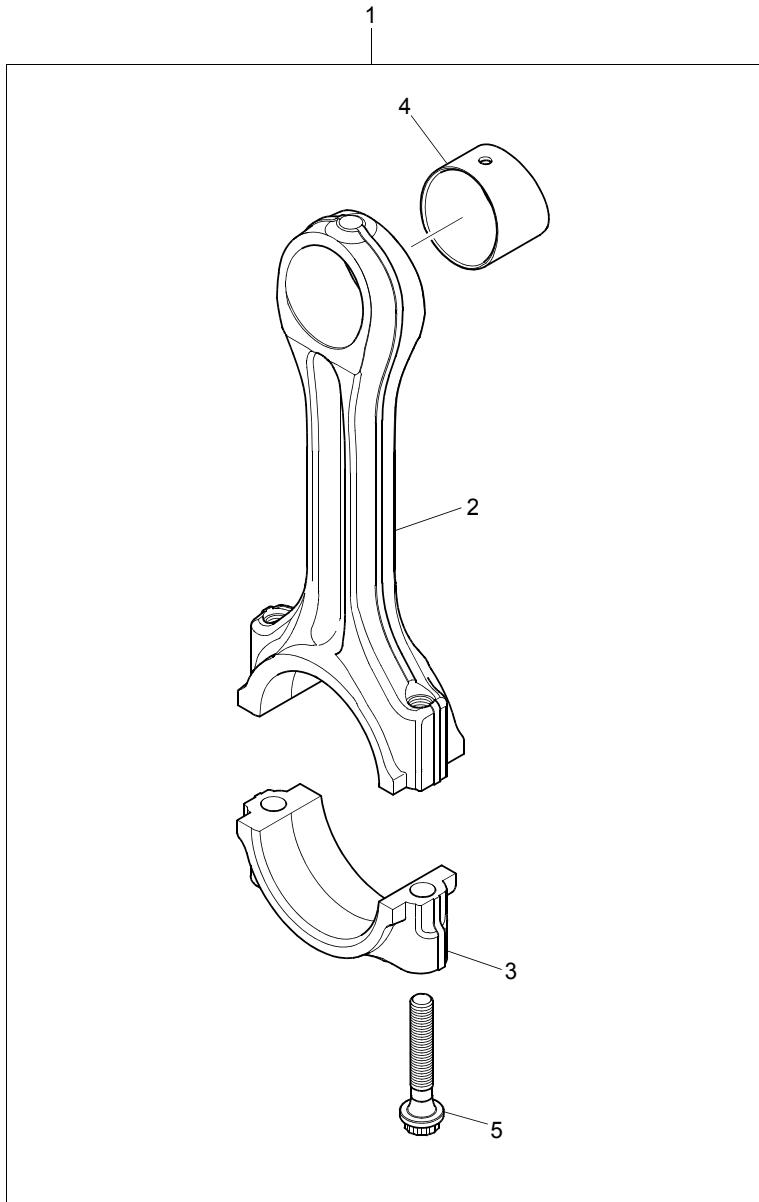
ACHN0125



ACHN0125

Item	Part No.	References	Qty.	Description	Notes
1	U5PR0063		4	PISTON AND RING KIT	
2	└─	⇒ U5PR0063	1	PISTON	
3	└─	⇒ U5PR0063	1	GUDGEON PIN	
4	└─ UPRK0003		1	PISTON RING KIT	
5	└─ 2721332		2	CIRCLIP	

ACHN0125



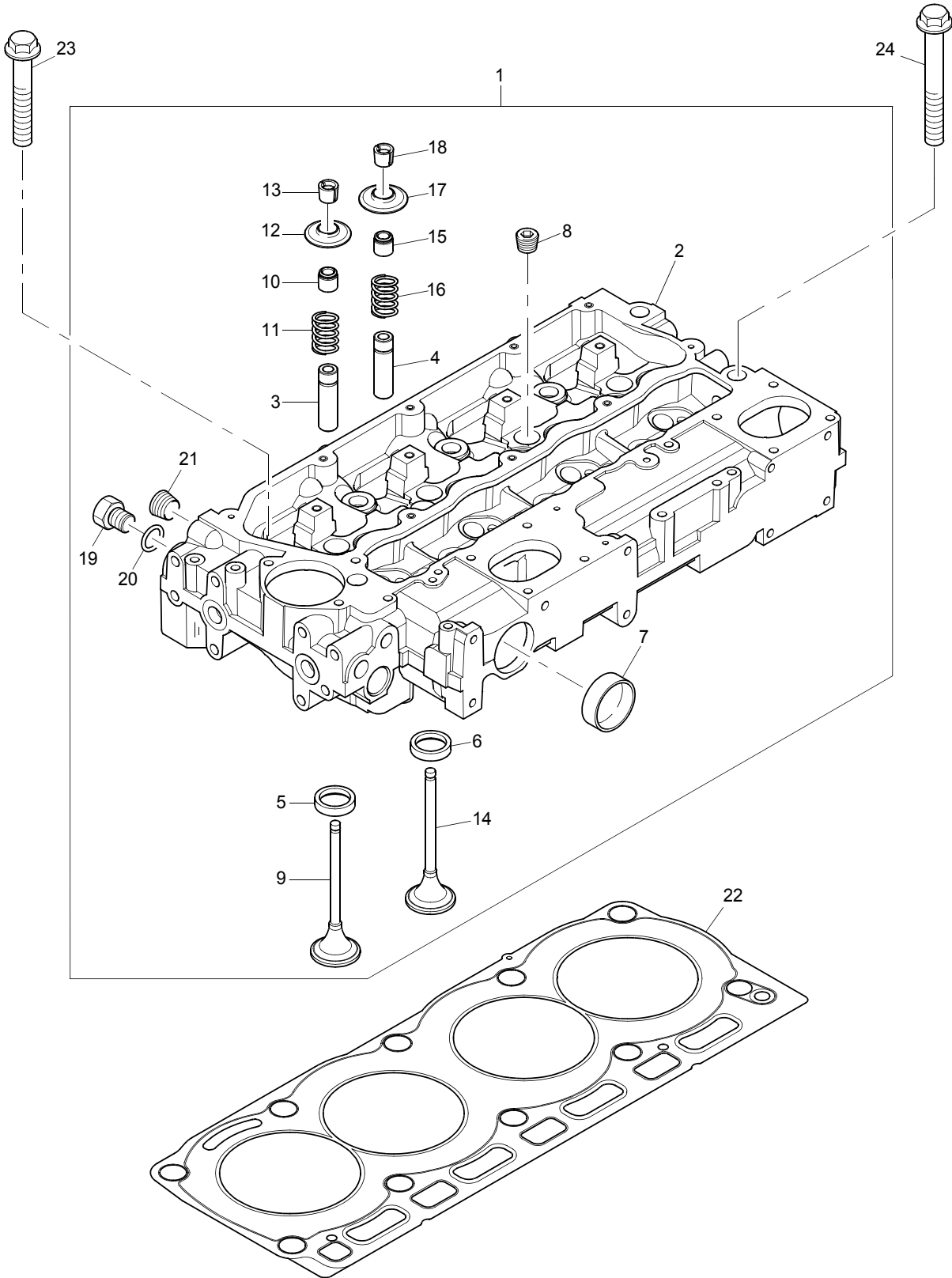
ACHN0125

Item	Part No.	References	Qty.	Description	Notes
1		Ⓢ	4	CONROD KIT	
2		⇒ SERVICE OPTION	1	CON ROD	
3		⇒ SERVICE OPTION	1	CAP	
4	3112A005		1	SMALL END BUSH	
5	3212V003		2	CON ROD BOLT	(A)
Service Options					
1	4115C311		4	CON ROD ASSEMBLY	GRADE F
1	4115C312		4	CON ROD ASSEMBLY	GRADE G
1	4115C313		4	CON ROD ASSEMBLY	GRADE H
1	4115C314		4	CON ROD ASSEMBLY	GRADE J
1	4115C315		4	CON ROD ASSEMBLY	GRADE K
1	4115C316		4	CON ROD ASSEMBLY	GRADE L

Footnotes

(A) DO NOT RE-USE ONCE REMOVED

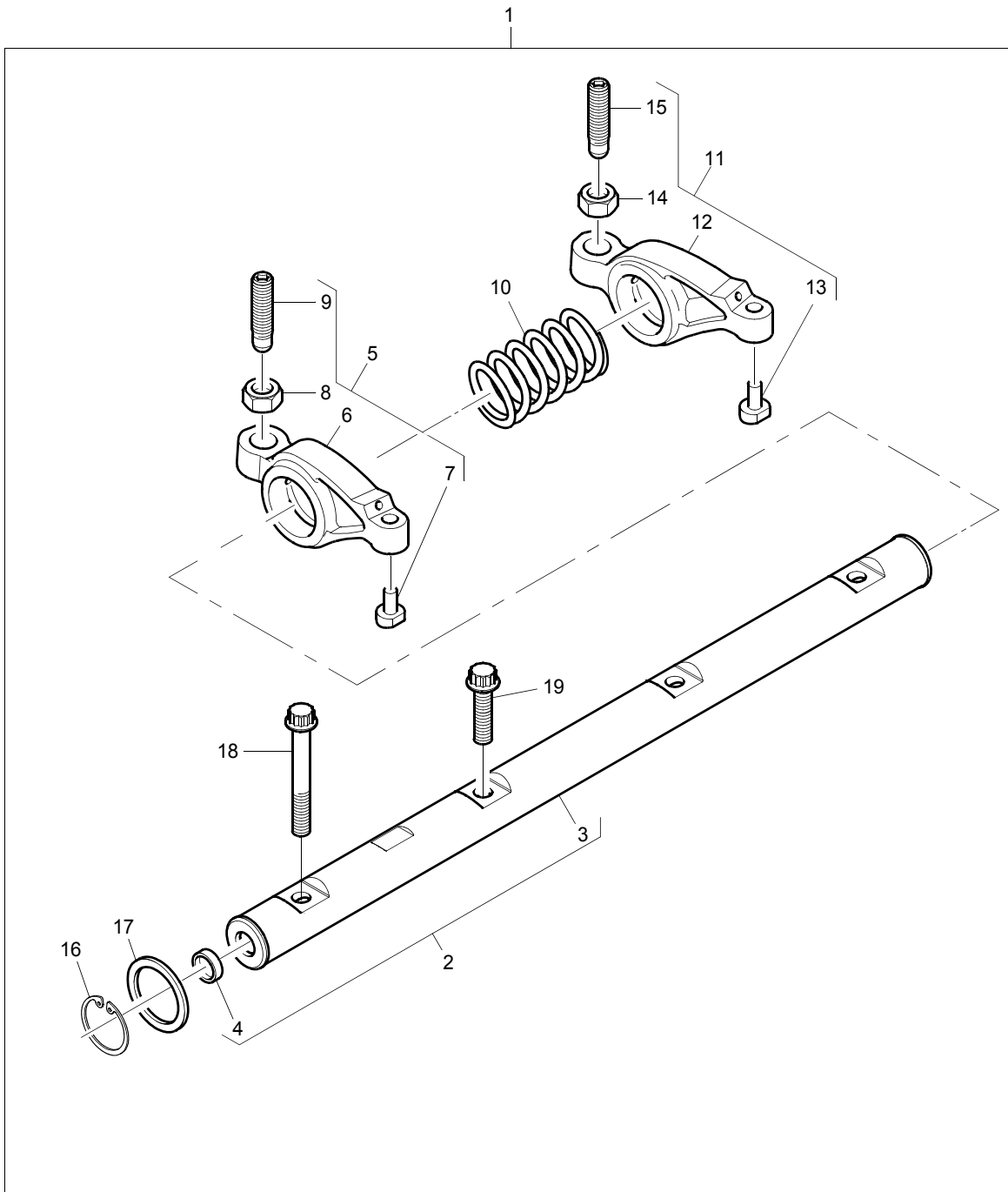
ACHN0125



ACHN0125

Item	Part No.	References	Qty.	Description	Notes
1		⇒ TBA	1	CYLINDER HEAD ASSEMBLY	
2		⇒ TBA	1	CYLINDER HEAD	
3	— 3313E021		4	VALVE GUIDE	
4	— 3313E021		4	VALVE GUIDE	
5	— 3314A221		4	VALVE SEAT INSERT	
6	— 3314A231		4	VALVE SEAT INSERT	
7	— 32416117		2	PLUG	
8	— 0650588		4	PLUG	
9	— 3142H101		4	INTAKE VALVE	
10	— 2418M519		4	SEAL - VALVE STEM	(A)
11	— 3174A031		4	VALVE SPRING	
12	— 3342A021		4	CAP	
13	— 2714A002		8	VALVE COLLET	
14	— 3142A171		4	EXHAUST VALVE	
15	— 2418M517		4	SEAL - VALVE STEM	(B)
16	— 3174A031		4	VALVE SPRING	
17	— 3342A021		4	CAP	
18	— 2714A002		8	VALVE COLLET	
19	— 3278A006		1	PLUG	
20	— 2415H003		1	SEAL - SENSOR	
21	— 2431154		2	PLUG	
22	3681E051		1	GASKET - CYLINDER HEAD	
23	3218A011		7	CYLINDER HEAD BOLT	
24	3218A012		3	CYLINDER HEAD BOLT	
Footnotes					
(A)	GREEN				
(B)	BROWN				

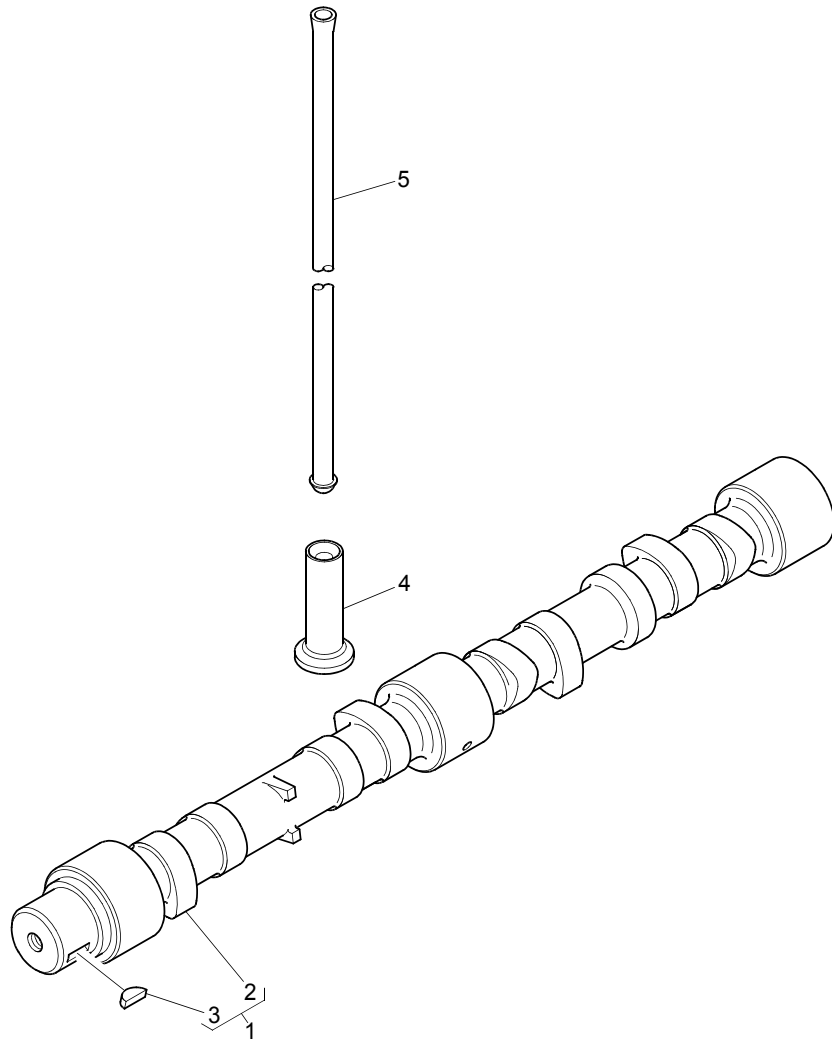
ACHN0125



ACHN0125

Item	Part No.	References	Qty.	Description	Notes
1	4115R613		1	ROCKER SHAFT ASSEMBLY	
2	└─4115R703		1	ROCKER SHAFT ASSY - MINOR	
3	└─┬─	⇒ 4115R703	1	ROCKER ARM SHAFT	
4	└─┬─└─2485A104		2	PLUG	
5	└─4115R319		4	ROCKER LEVER	
6	└─┬─	⇒ 4115R319	1	ROCKER LEVER	
7	└─┬─	⇒ 4115R319	1	PAD	
8	└─┬─└─3331A006		1	NUT	
9	└─┬─└─3211C004		1	SCREW	
10	└─3174A015		3	ROCKER SHAFT SPRING	
11	└─4115R318		4	ROCKER LEVER	
12	└─┬─	⇒ 4115R318	1	ROCKER LEVER	
13	└─┬─	⇒ 4115R318	1	PAD	
14	└─┬─└─3331A006		1	NUT	
15	└─┬─└─3211C004		1	SCREW	
16	└─2722A022		2	CIRCLIP	
17	└─2134A502		2	WASHER	
18	└─2316A901		1	SCREW	
19	└─2316A902		3	SCREW	

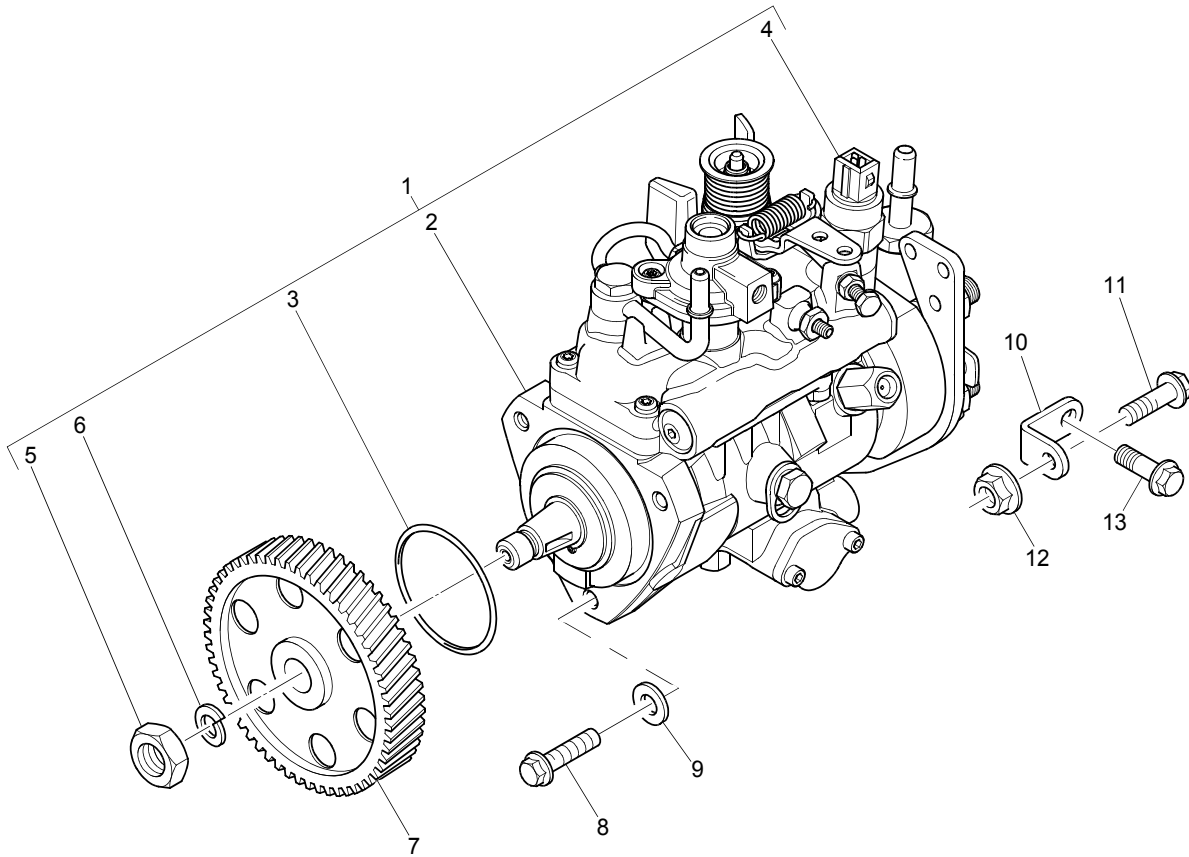
ACHN0125



ACHN0125

Item	Part No.	References	Qty.	Description	Notes
1	4112K031		1	CAMSHAFT	
2		⇒ 4112K031	1	CAMSHAFT	
3	_0500012		1	WOODRUFF KEY	
4	3142U061		8	TAPPET	
5	3142V011		8	PUSHROD	

AFH04761



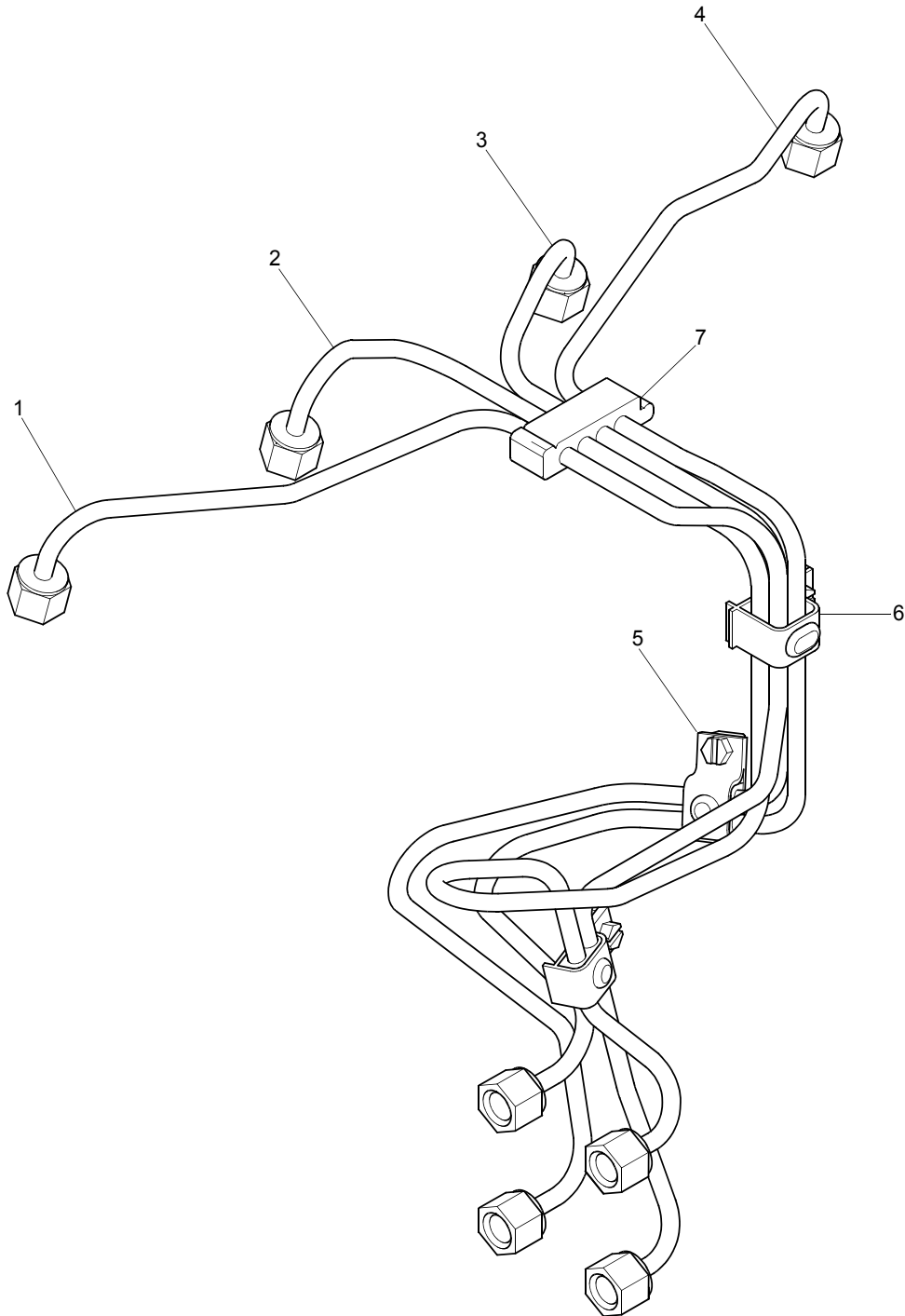
Fuel Injection Pump

Plate A

AFH04761

Item	Part No.	References	Qty.	Description	Notes
1	2644C319/22		1	FUEL INJECTION PUMP	
2	—	⇒ 2644C319/22	1	FUEL INJECTION PUMP	
3	—26420318		1	SEAL - O RING	
4	—26420469		1	SOLENOID	
5	—2318A108		1	NUT	
6	—K134AF01		1	WASHER	
7	3117L261		1	FUEL INJECTION PUMP GEAR	
8	2314H004		3	SCREW	
9	2411D008		6	WASHER	
10	3641A007		1	BRACKET	
11	2314H003		1	SCREW	
12	2318A603		1	NUT	
13	2314J002		1	SCREW	

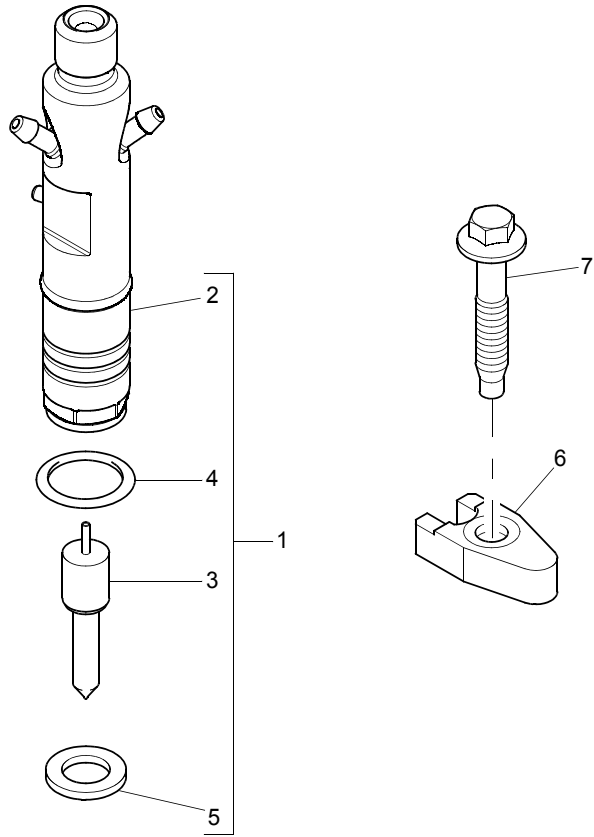
AFH04761



AFH04761

Item	Part No.	References	Qty.	Description	Notes
1	3525A101		1	PIPE - FUEL INJ NO 1 CYL	
2	3525A102		1	PIPE - FUEL INJ NO 2 CYL	
3	3525A103		1	PIPE - FUEL INJ NO 3 CYL	
4	3525A104		1	PIPE - FUEL INJ NO 4 CYL	
5	2481Y011		2	CLIP	
6	2481Y012		1	CLIP	
7	2646E019		1	CLIP	

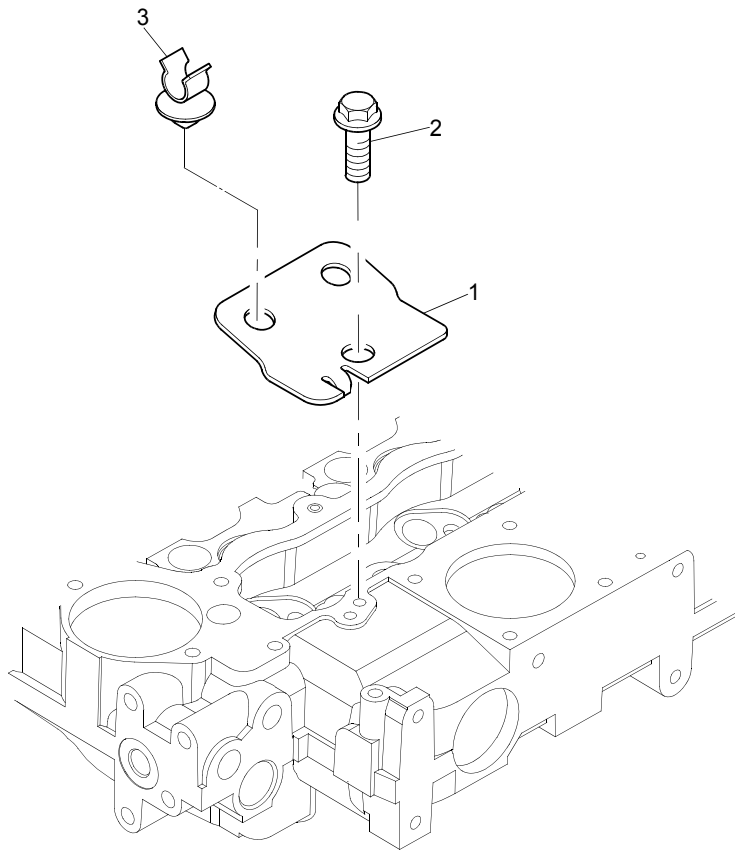
AFH04761



Atomisers	Plate A
	AFH04761

Item	Part No.	References	Qty.	Description	Notes
1	2645K027		1	INJECTOR	
2		⇒ 2645K027	1	INJECTOR NOZZLE HOLDER	
3		⇒ 2645K027	1	INJECTOR NOZZLE	
4	26460064		1	SEAL - INJECTOR	
5	L311FF02		1	INJECTOR WASHER	
6	3751A241		4	INJECTOR CLAMP	
7	2314W009		4	SCREW	

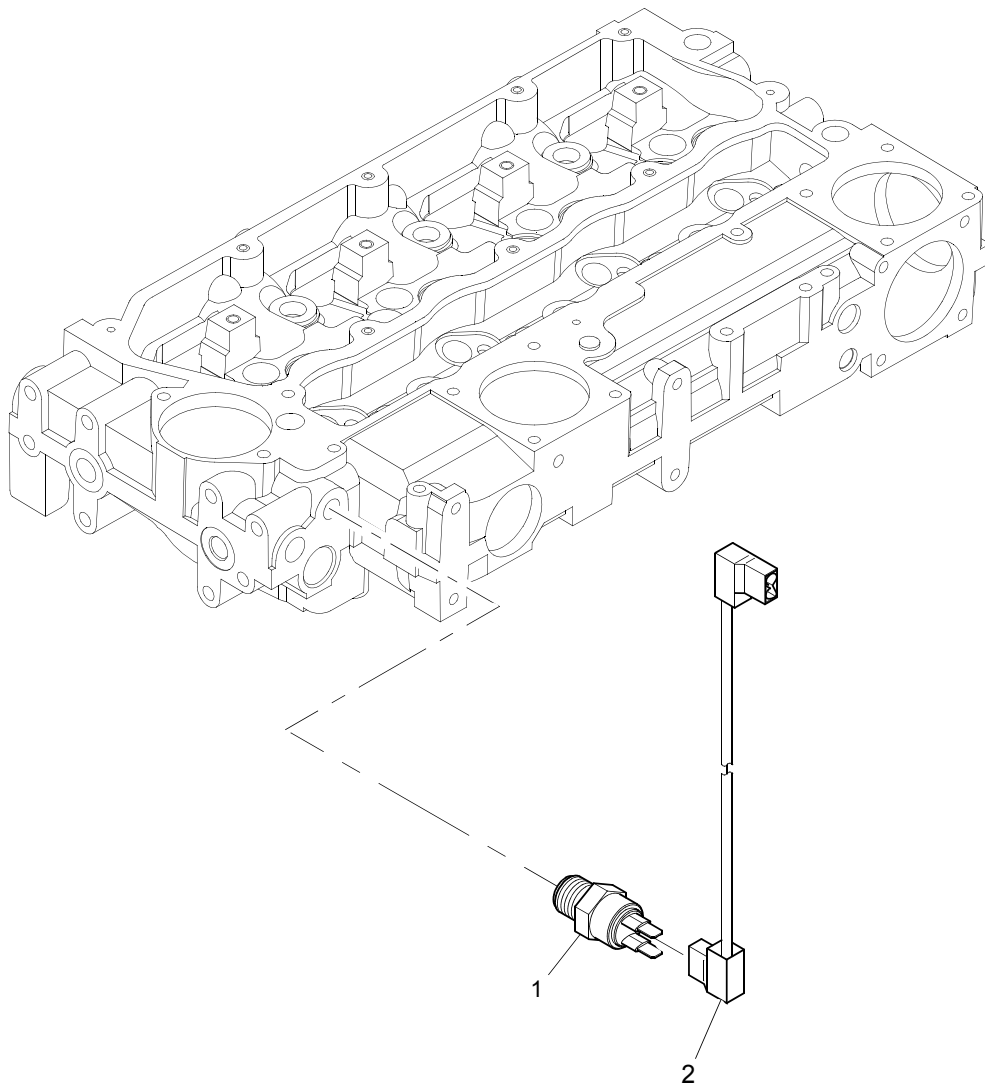
AFH04761




Throttle & Stop Controls**Plate A****AFH04761**

Item	Part No.	References	Qty.	Description	Notes
1	3653A017		1	BRACKET	
2	2314H002		1	SCREW	
3	2481D456		1	CLIP	

AFH04761

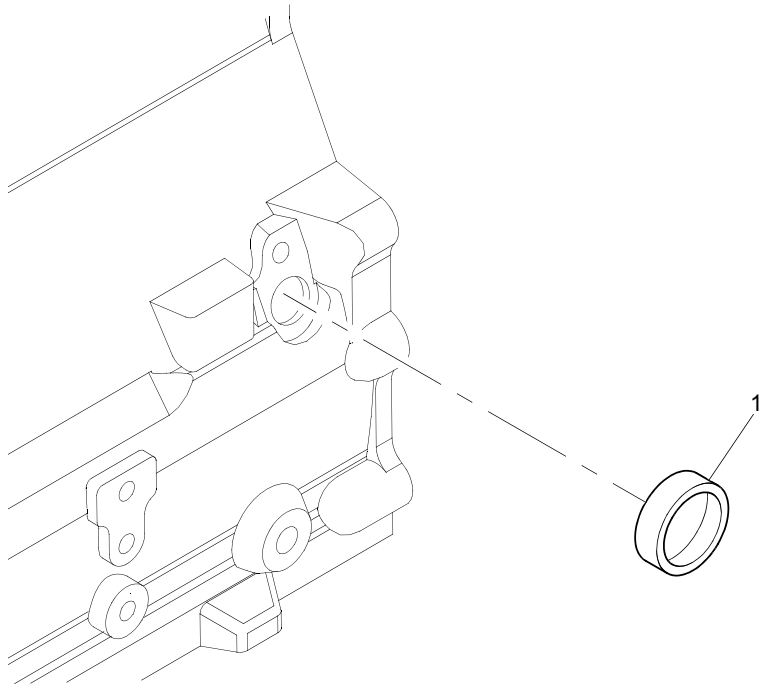


Pick-Up Sensor	Plate A
AFH04761	

Item	Part No.	References	Qty.	Description	Notes
1	2848A123	 a.	1	WATER TEMPERATURE SWITCH	
2	3161C017		1	CABLE	

History					
a.					
1	2848A127		1	WATER TEMPERATURE SENSOR	

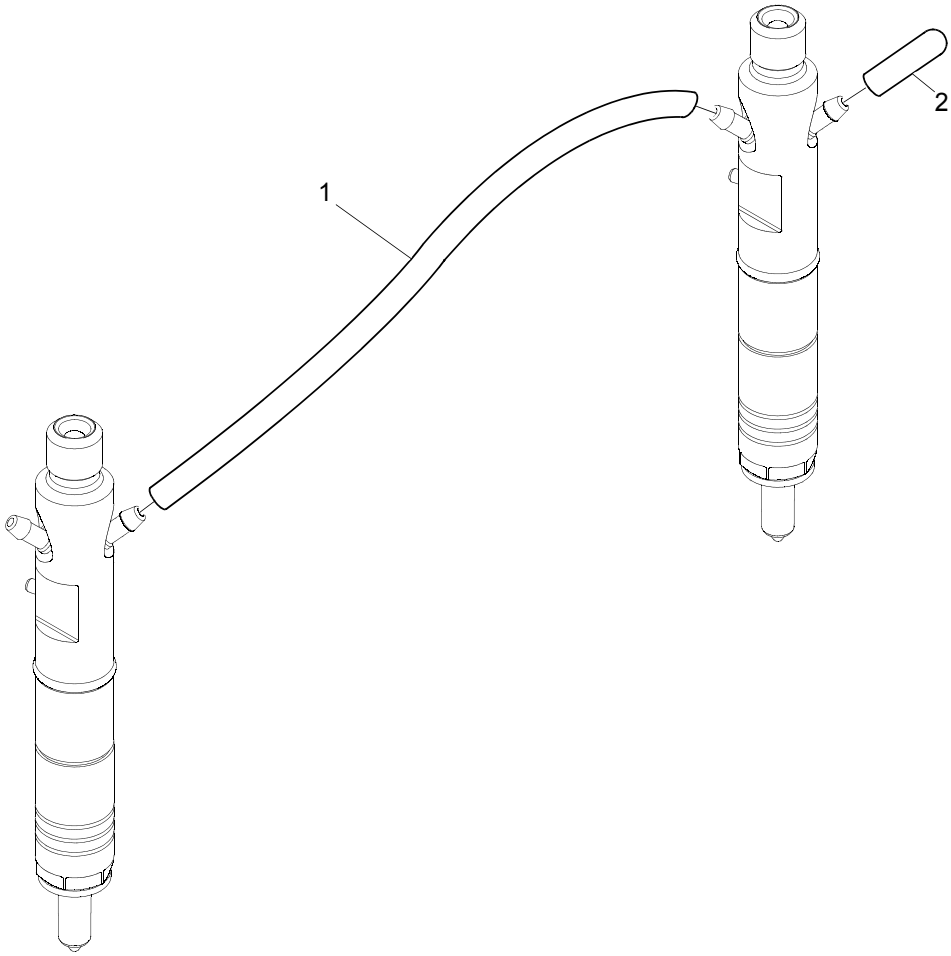
AFH04761



Sensors	Plate A
	AFH04761

Item	Part No.	References	Qty.	Description	Notes
1	2485A109		1	PLUG	

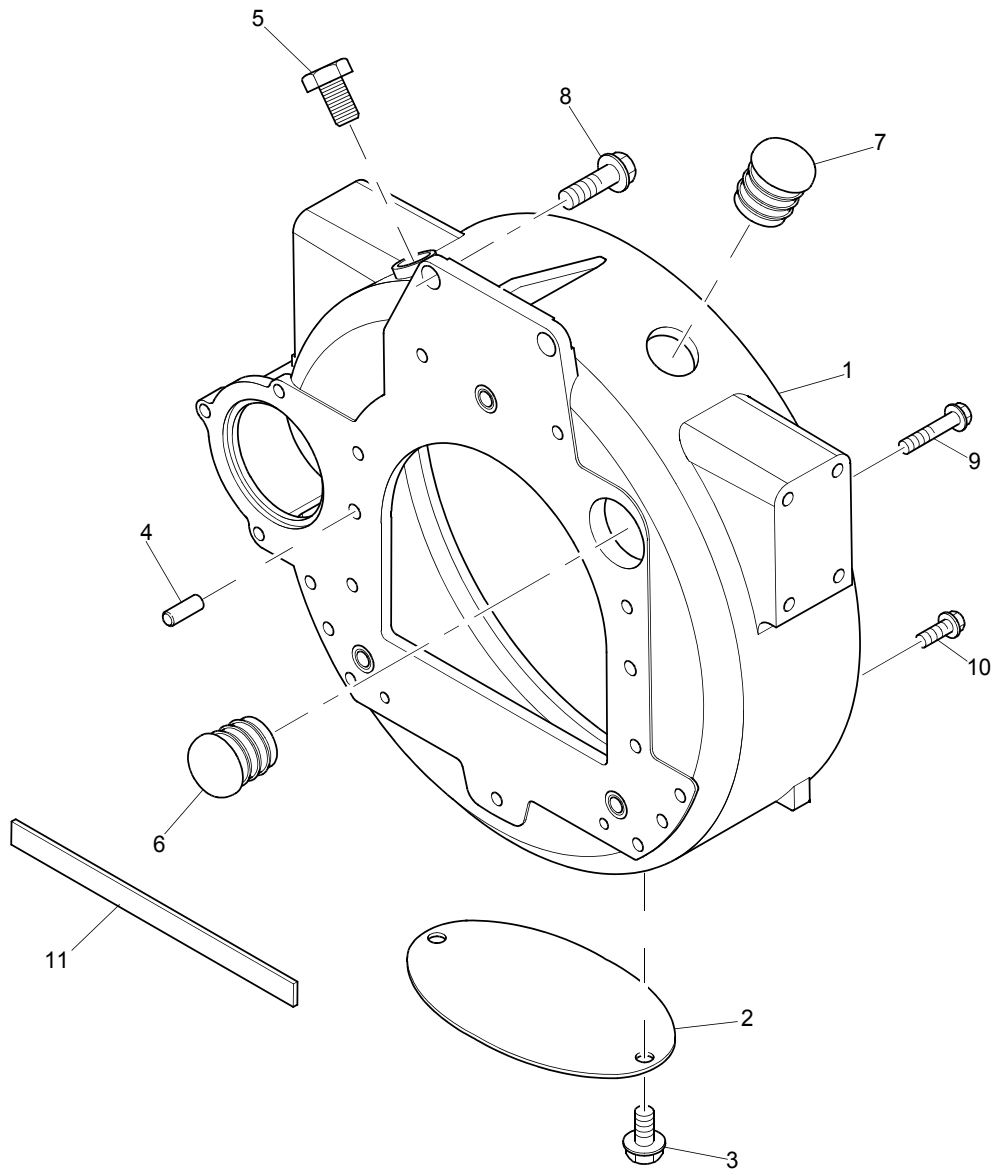
AFH04761



Fuel Leak-Off Pipe		Plate A
		AFH04761

Item	Part No.	References	Qty.	Description	Notes
1	2646F501		3	HOSE	
2	2646E501		1	CAP	

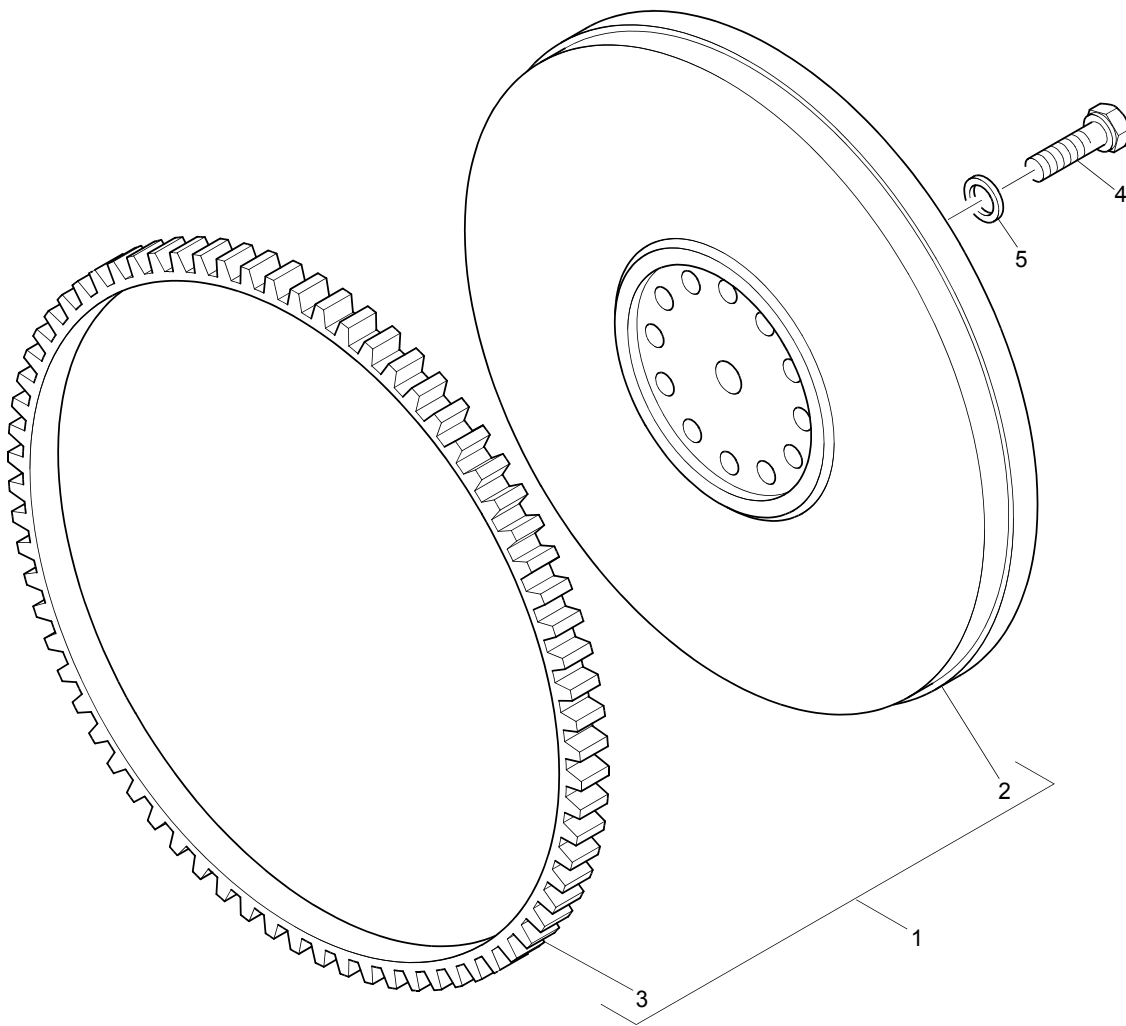
CDH01103



CDH01103

Item	Part No.	References	Qty.	Description	Notes
1	3713K027		1	FLYWHEEL HOUSING	
2	0240356		1	PLATE	
3	2314F002		2	SCREW	
4	3245A011		2	DOWEL	
5	2487Y005		1	PLUG	
6	2487A452		1	PLUG	
7	2487A451		1	PLUG	
8	2314J603		2	SCREW	
9	2314J204		6	SCREW	
10	2314J001		3	SCREW	
11	36843154		1	SEAL	

DDH02084



Flywheel & Starter Ring

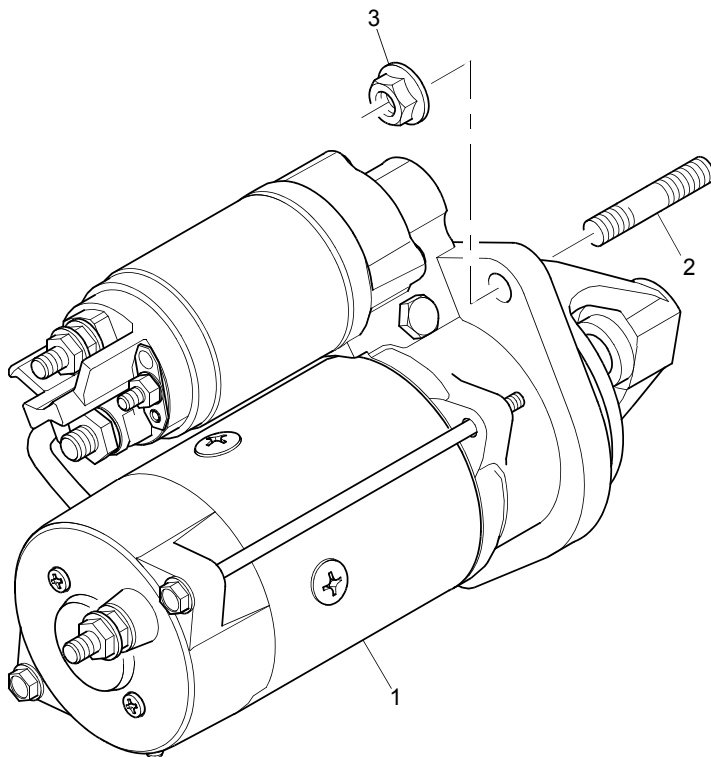
Plate A

DDH02084

Item	Part No.	References	Qty.	Description	Notes
1	4111D272		1	FLYWHEEL ASSEMBLY	
2	└	⇒ 4111D272	1	FLYWHEEL	
3	└ 31162121		1	STARTER RING GEAR	
4	0096803		6	SCREW	
5	33117127		6	WASHER	

● EDH00915

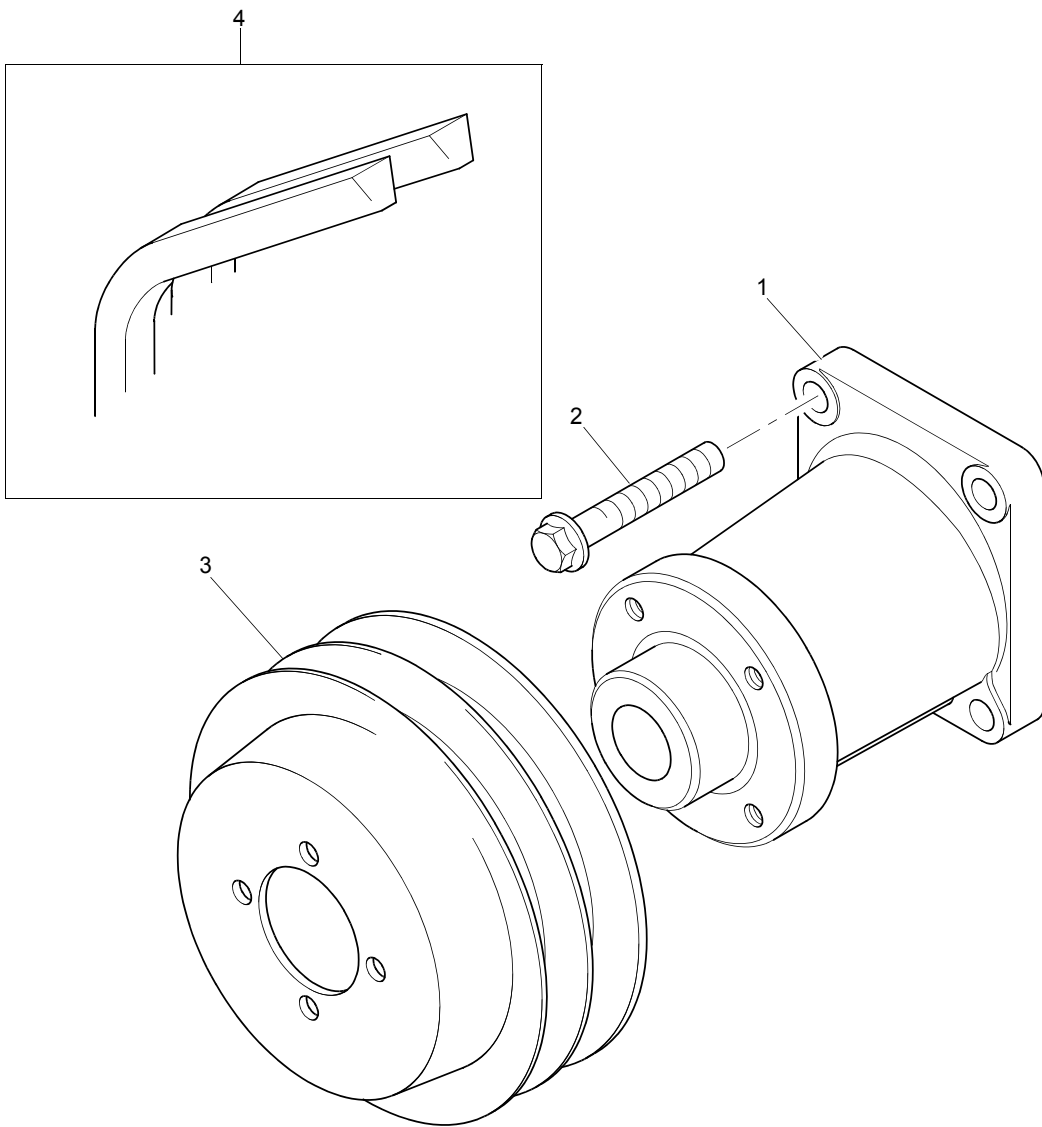
EDH00947



Starter Motor		Plate A
● EDH00915	EDH00947	

Item	Part No.	References	Qty.	Description	Notes
1	2873K621		1	STARTER MOTOR	
2	2313C078		3	STUD	
3	2318A604		3	NUT	

FBH01146

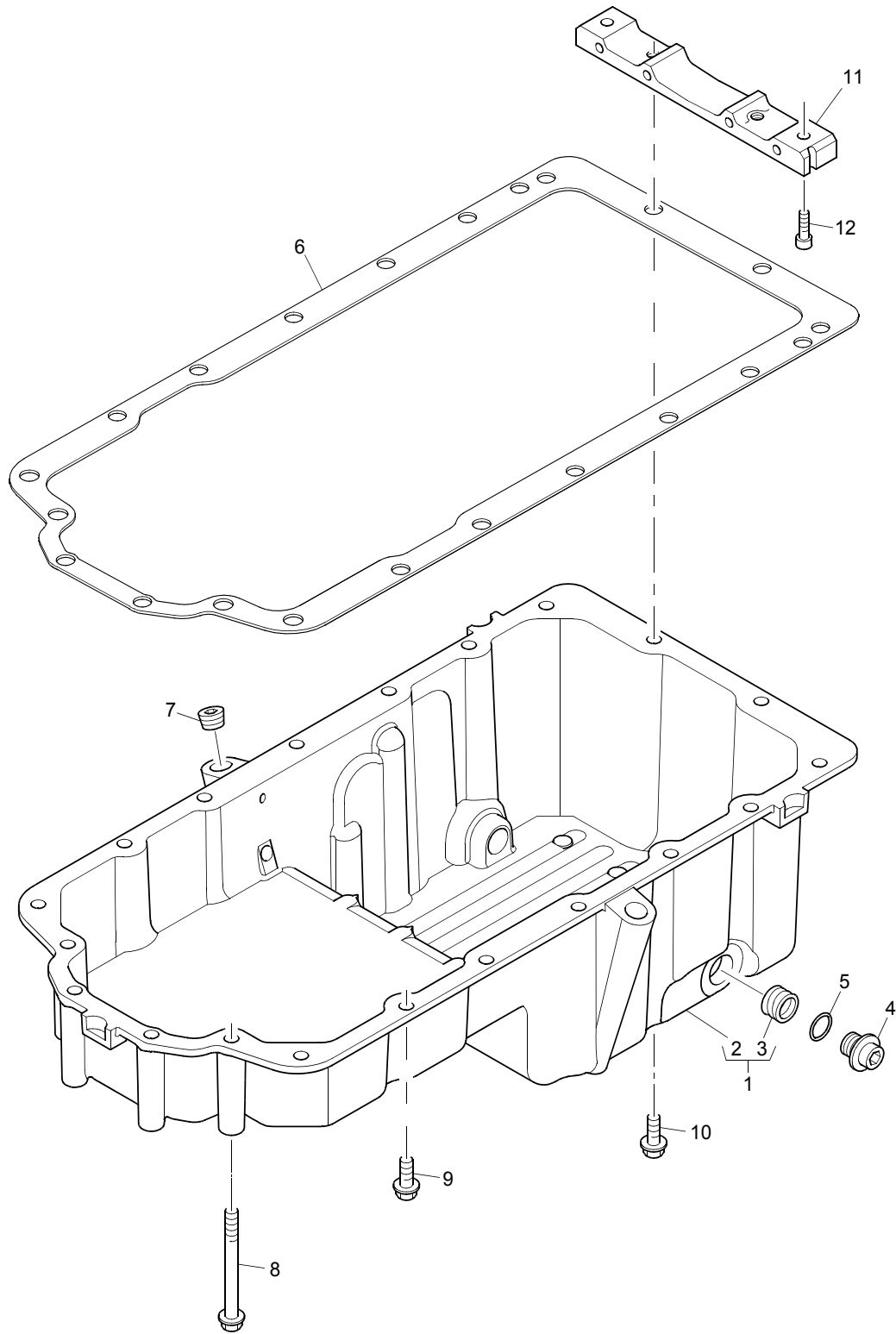


Fan Drive	Plate A
	FBH01146

Item	Part No.	References	Qty.	Description	Notes
1	4113K005		1	FAN DRIVE HOUSING	
2	2314J005		4	SCREW	
3	3115C113		1	FAN DRIVE PULLEY	
4	2614B655		1	BELT	(A)

Footnotes	
(A)	SERVICED IN PAIRS

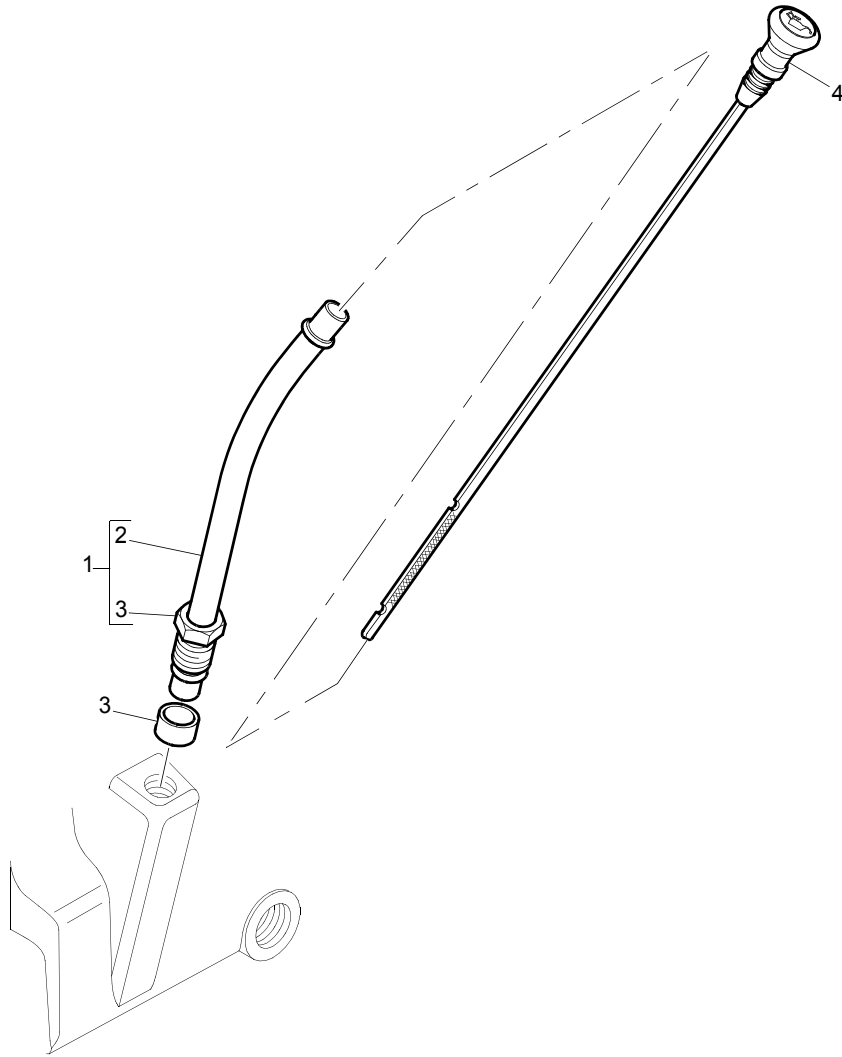
GBH02962



Sump	Plate A
	GBH02962

Item	Part No.	References	Qty.	Description	Notes
1	4145H131		1	SUMP	
2	└	⇒ 4145H131	1	SUMP	
3	└2137435		2	INSERT	
4	32186405		2	PLUG	
5	2415715		2	SEAL - O RING	
6	3681K037		1	GASKET - SUMP	
7	2431A016		1	PLUG	
8	2314K166		4	SCREW	
9	2314H003		14	SCREW	
10	2314H033		2	SCREW	
11	3627P041		1	BRIDGE PIECE	
12	2311D039		2	SCREW	

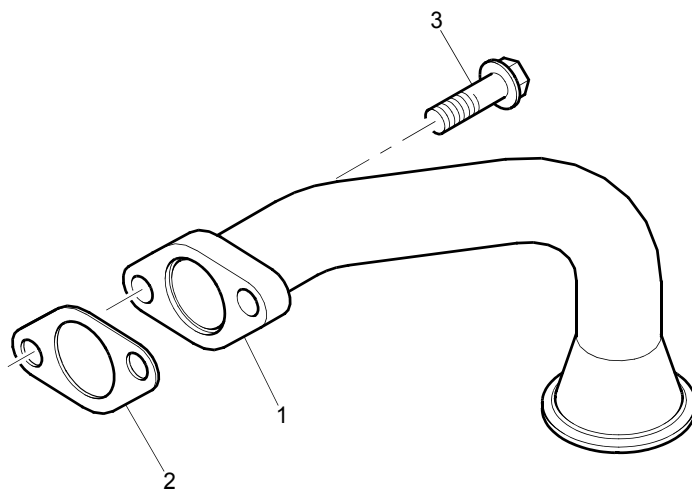
GBH02962



GBH02962

Item	Part No.	References	Qty.	Description	Notes
1	3577A125		1	TUBE ASSEMBLY	
2	└	⇒ 3577A125	1	TUBE	
3	└	⇒ 3577A125	1	NUT	
3	33812116		1	OLIVE	
4	3178C069		1	DIPSTICK	

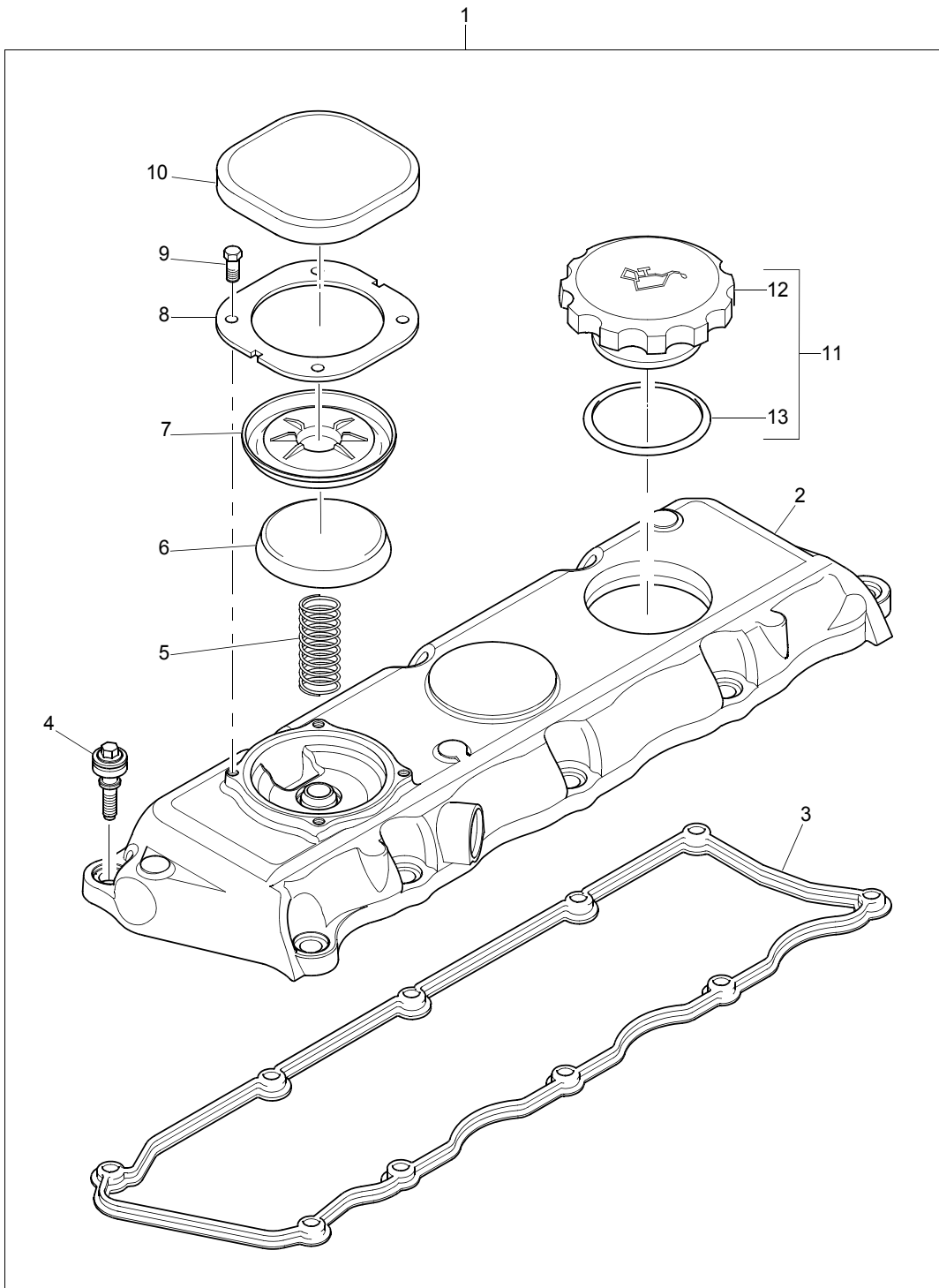
GBH02962



Oil Strainer	Plate A
	GBH02962

Item	Part No.	References	Qty.	Description	Notes
1	3575A061		1	SUCTION PIPE	
2	36832137		1	GASKET	
3	2314H004		2	SCREW	

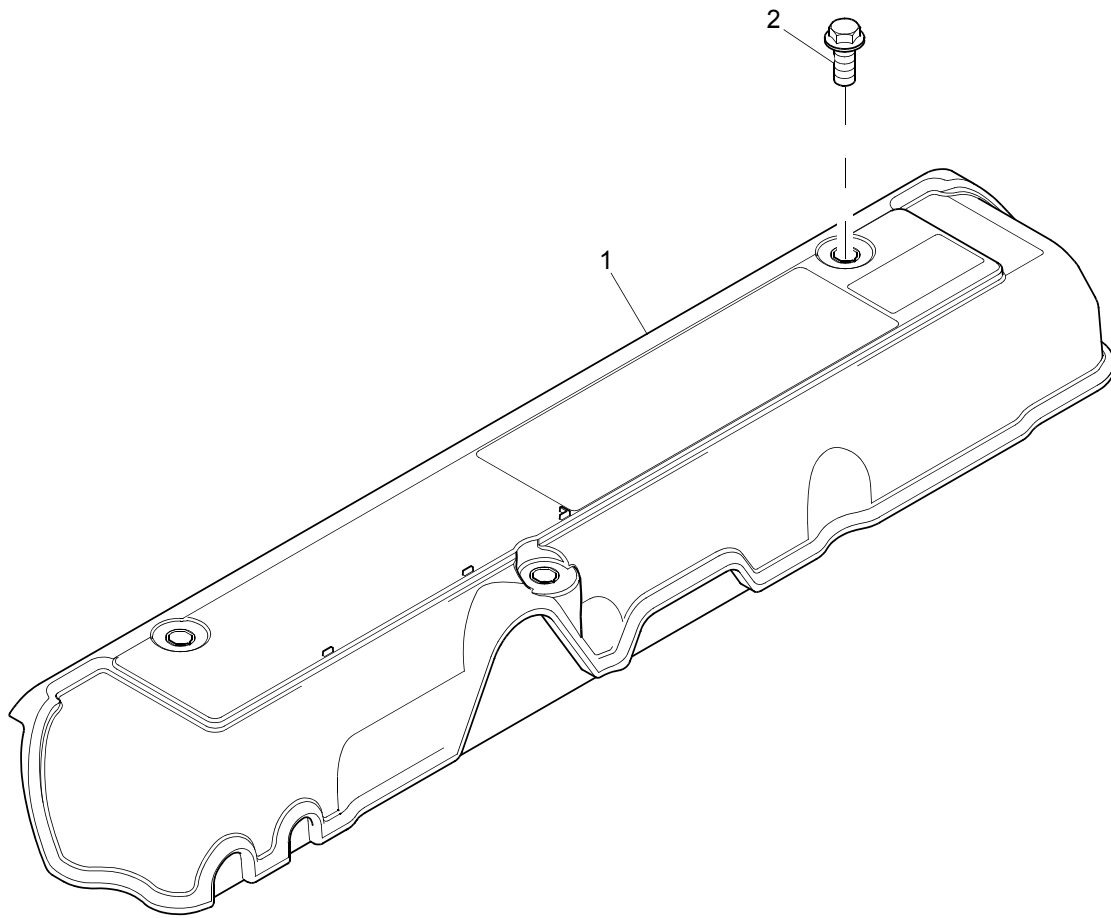
HBH03330



HBH03330

Item	Part No.	References	Qty.	Description	Notes
1	4142X324		1	CYL HEAD COVER ASSY	
2		⇒ 4142X324	1	CYLINDER HEAD COVER	
3	3681A055		1	GASKET - CYL. HEAD COVER	
4		⇒ 4142X324	10	SCREW	
5	3174A017		1	SPRING	
6	3788A002		1	CAP	
7	3789A001		1	DIAPHRAGM	
8	3615A009		1	COVER PLATE	
9	2151A001		4	SCREW	
10	3788A003		1	CAP	
11	4142X099		1	OIL FILLER CAP	
12		⇒ 4142X099	1	OIL FILLER CAP	
13	2415A131		1	SEAL - O RING	

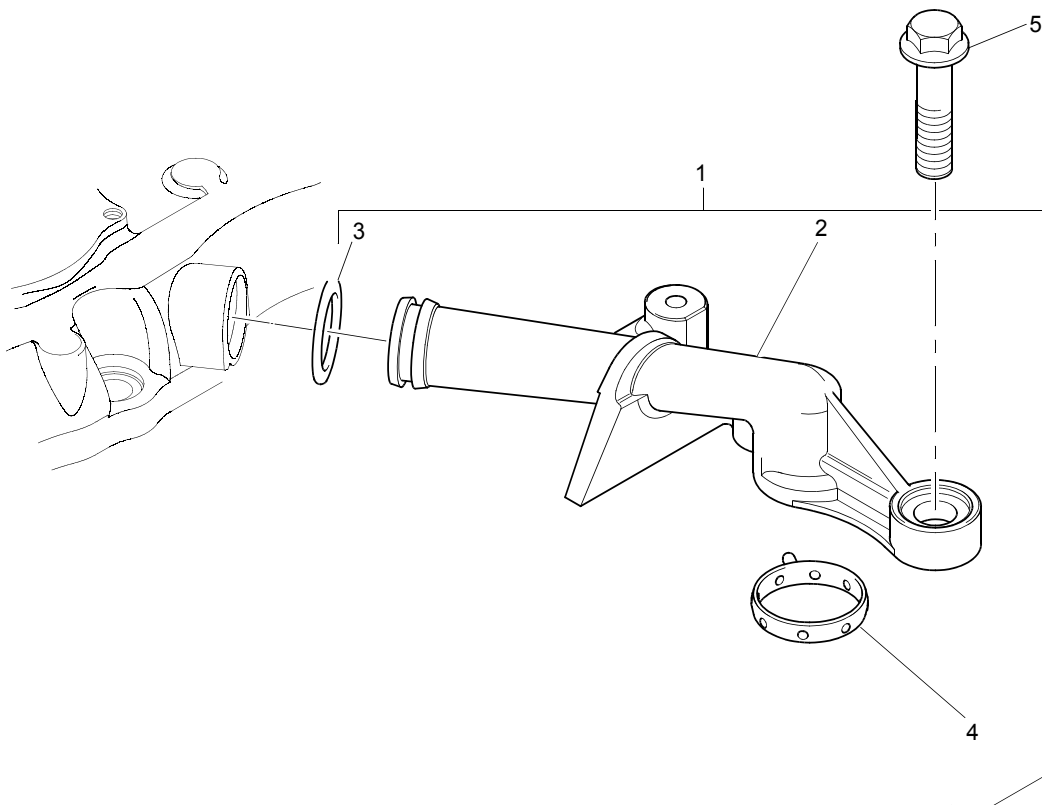
HBH03330



Cylinder Head Cover	Plate B
	HBH03330

Item	Part No.	References	Qty.	Description	Notes
1	3788N003		1	COVER	
2	2314F003		3	SCREW	

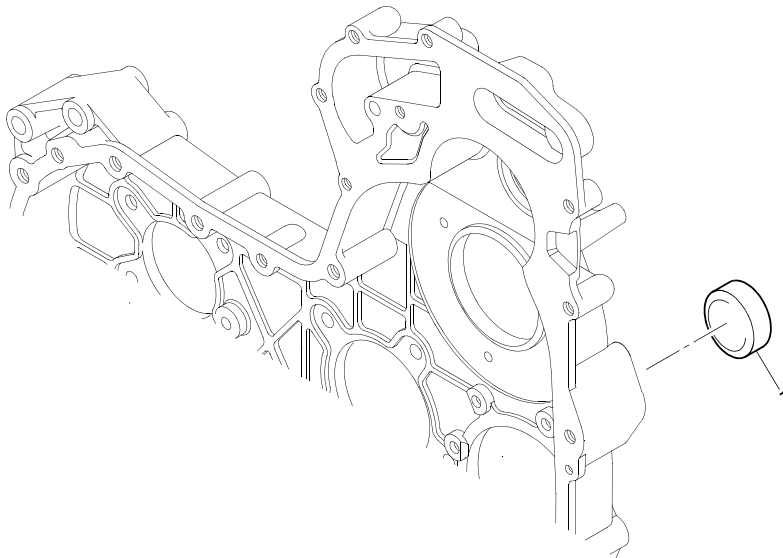
HBH03330



Breather	Plate A
HBH03330	

Item	Part No.	References	Qty.	Description	Notes
1	4134K021		1	PIPE - BREATHER	
2		⇒ 4134K021	1	BREATHER PIPE	
3	2415A068		1	SEAL - O RING	
4	2415H701		1	SEAL - O RING	
5	2314F005		2	SCREW	

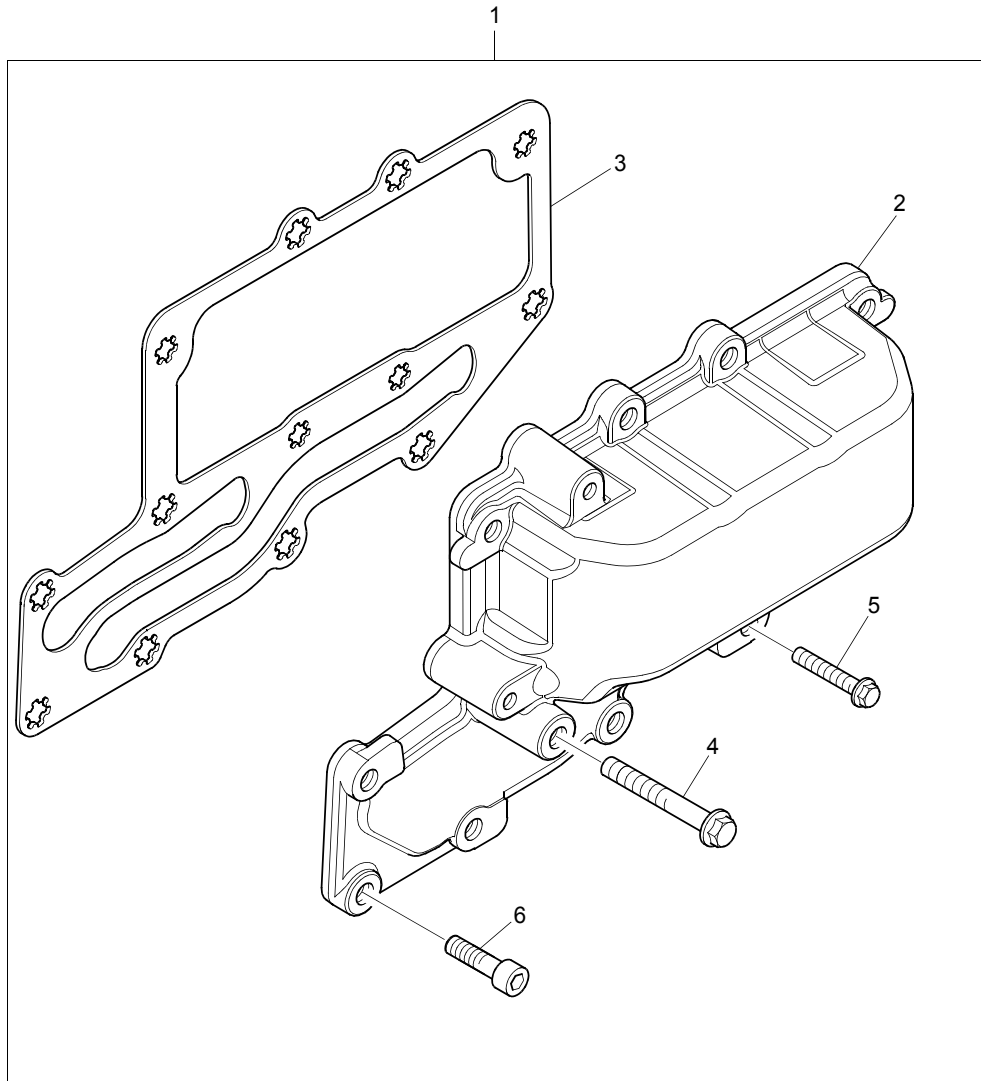
HDH00039



Blanking Plates		Plate A
		HDH00039

Item	Part No.	References	Qty.	Description	Notes
1	2485A124		1	PLUG	

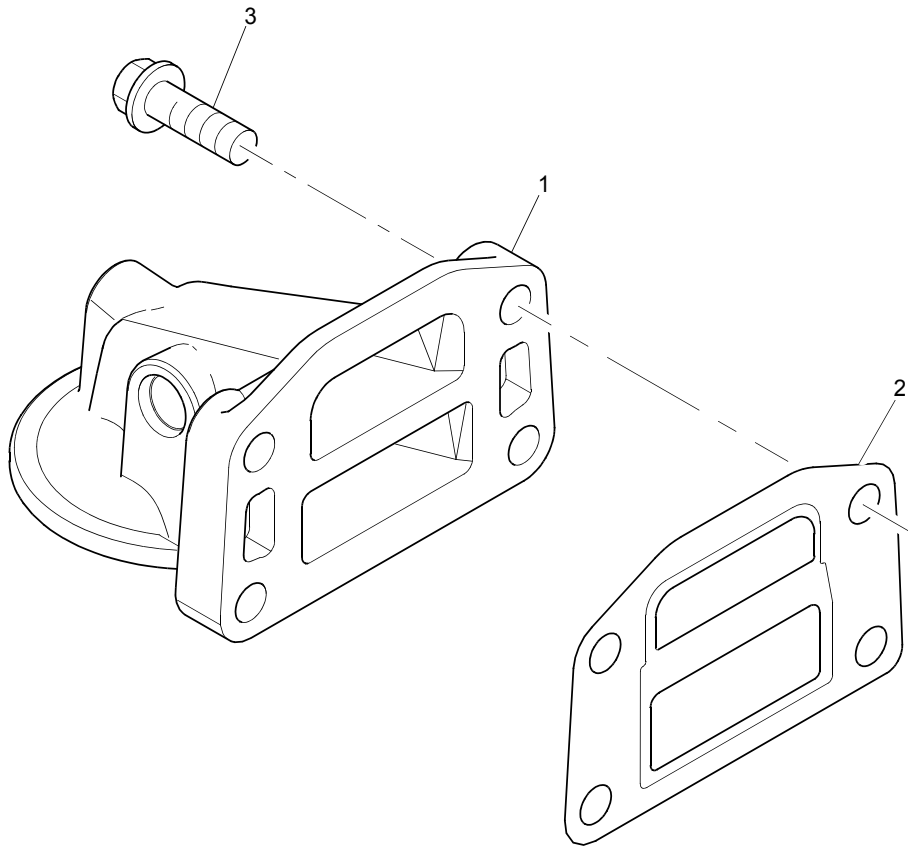
JBH02644



Oil Cooler	Plate A
JBH02644	

Item	Part No.	References	Qty.	Description	Notes
1	4134W024		1	COOLER	
2	—	⇒ 4134W024	1	HOUSING	
3	—3685A033		1	GASKET - OIL COOLER	
4	—2314H011		3	SCREW	
5	—2314H004		8	SCREW	
6	—2311D060		2	SCREW	

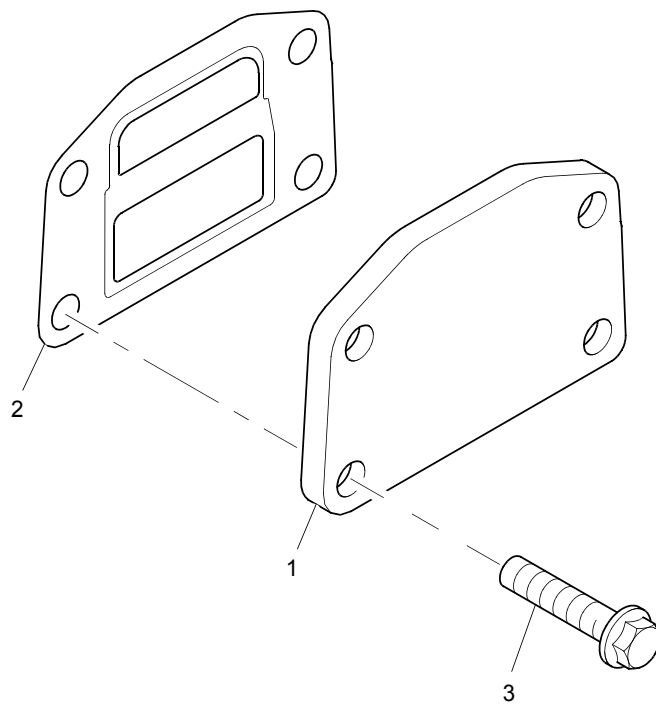
JBH02644



Oil Filter	Plate A
	JBH02644

Item	Part No.	References	Qty.	Description	Notes
1	3773A061		1	OIL FILTER HEAD	
2	3688A039		1	GASKET - OIL FILTER HEAD	
3	2314H034		4	SCREW	

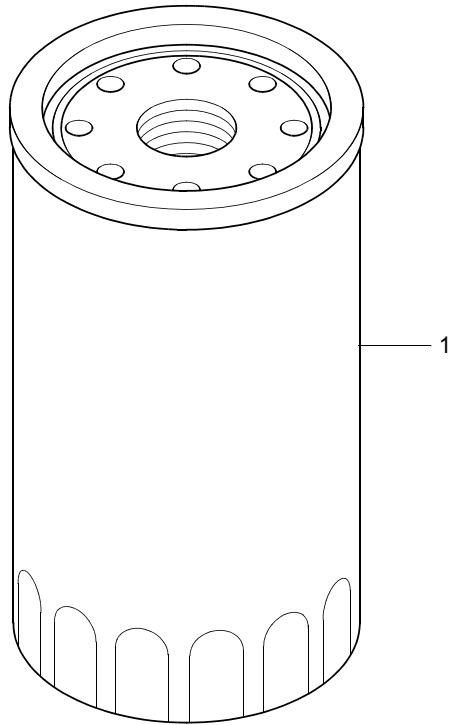
JBH02644



Blanking Plates	Plate A
	JBH02644

Item	Part No.	References	Qty.	Description	Notes
1	3623A009		1	BLANKING PLATE	
2	3688A039		1	GASKET - OIL FILTER HEAD	
3	2314H033		4	SCREW	

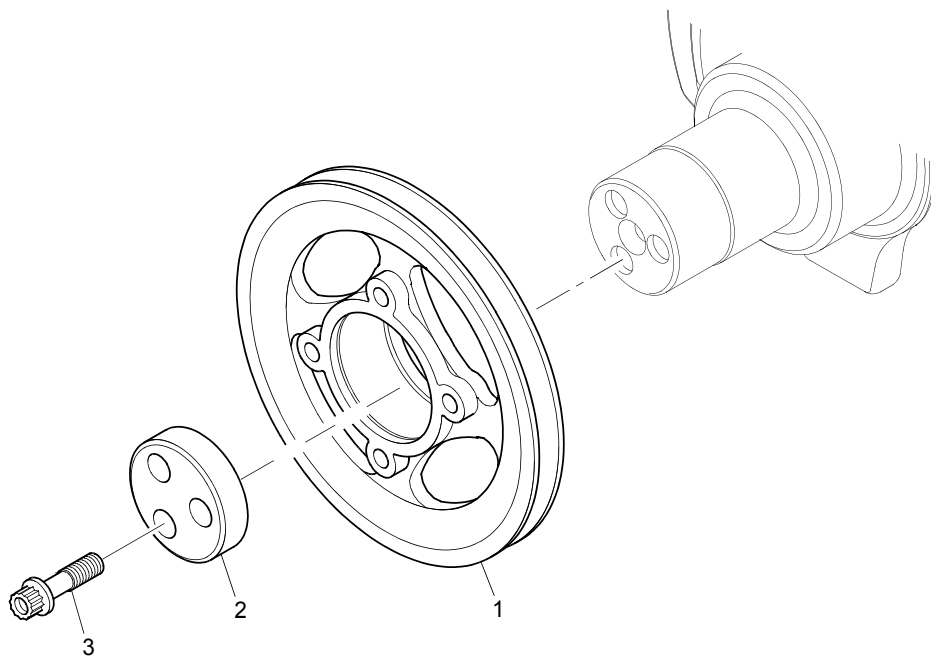
JDH00044



Oil Filter	Plate A
	JDH00044

Item	Part No.	References	Qty.	Description	Notes
1	2654407		1	OIL FILTER	

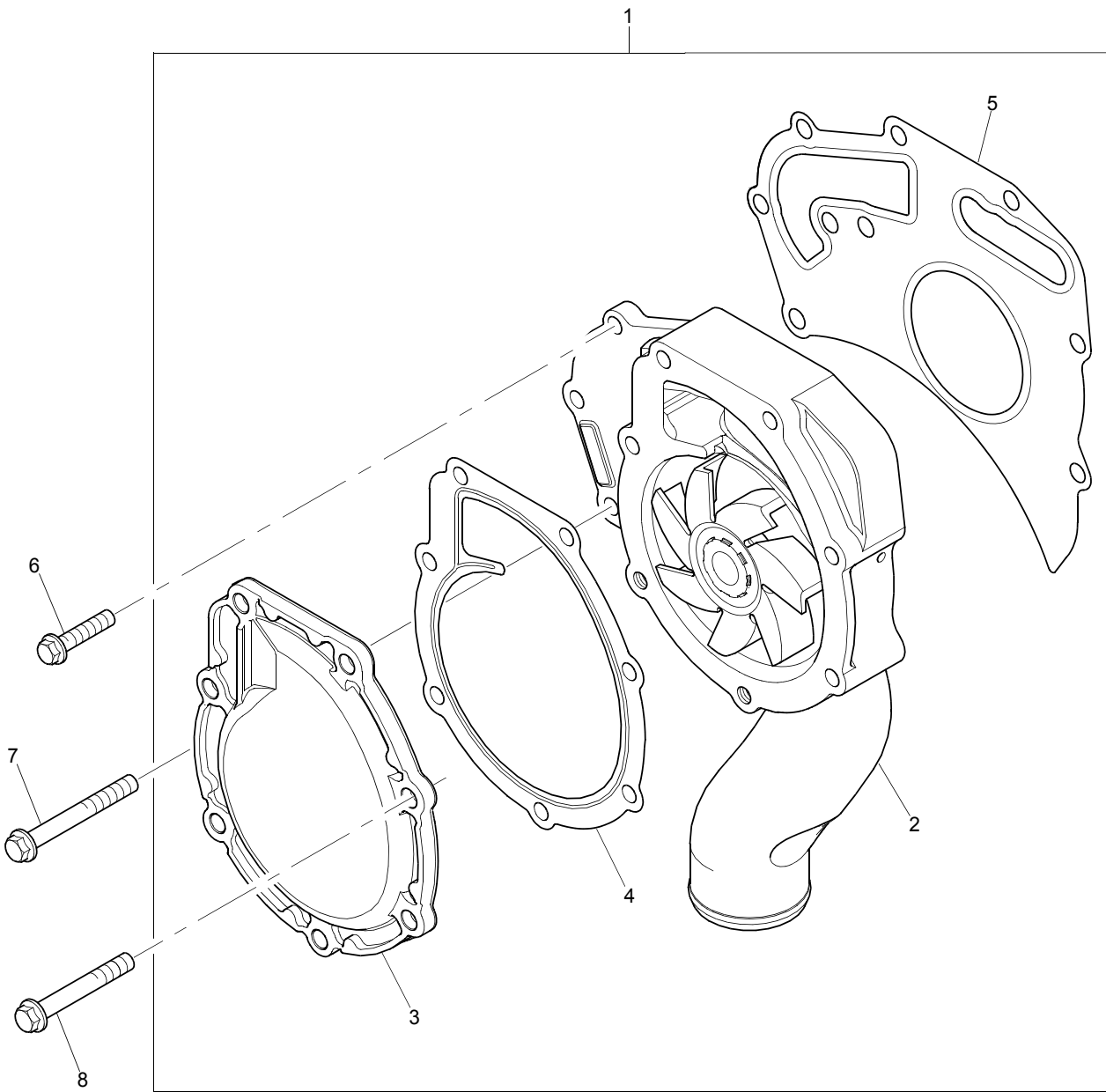
KBH00725



Front End Drive Input**Plate A****KBH00725**

Item	Part No.	References	Qty.	Description	Notes
1	3114V041		1	CRANKSHAFT PULLEY	
2	3241N001		1	BLOCK	
3	32186137		3	BOLT	

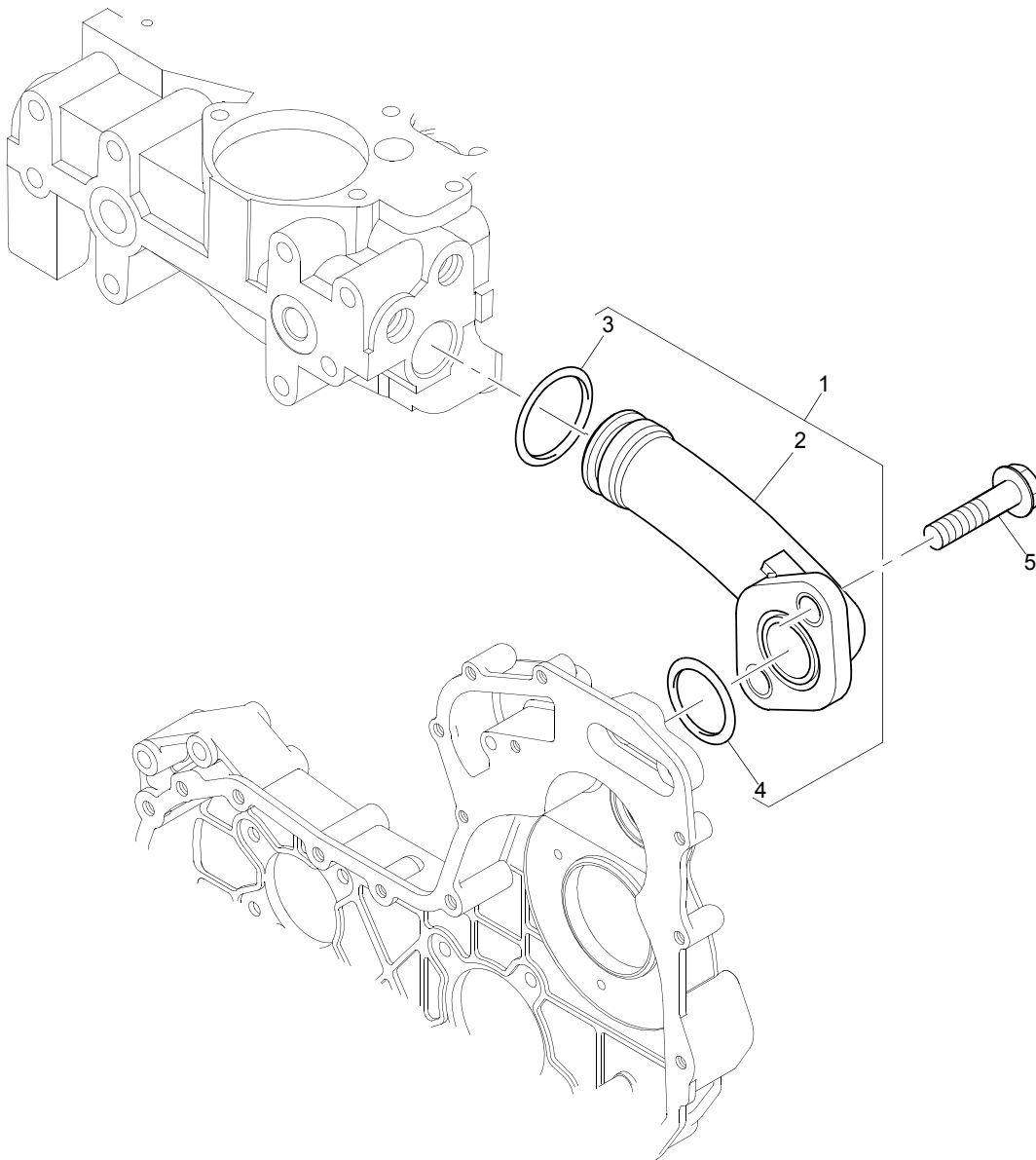
LBH02290



LBH02290

Item	Part No.	References	Qty.	Description	Notes
1	U5MW0201		1	WATER PUMP KIT	
2	├	⇒ U5MW0201	1	WATER PUMP	
3	├	⇒ U5MW0201	1	COVER	
4	├ 24880234		1	GASKET - WATER PUMP	
5	├ 3682A011		1	GASKET - WATER PUMP	
6	2314H005		2	SCREW	
7	2314K164		2	SCREW	
8	2314H012		5	SCREW	

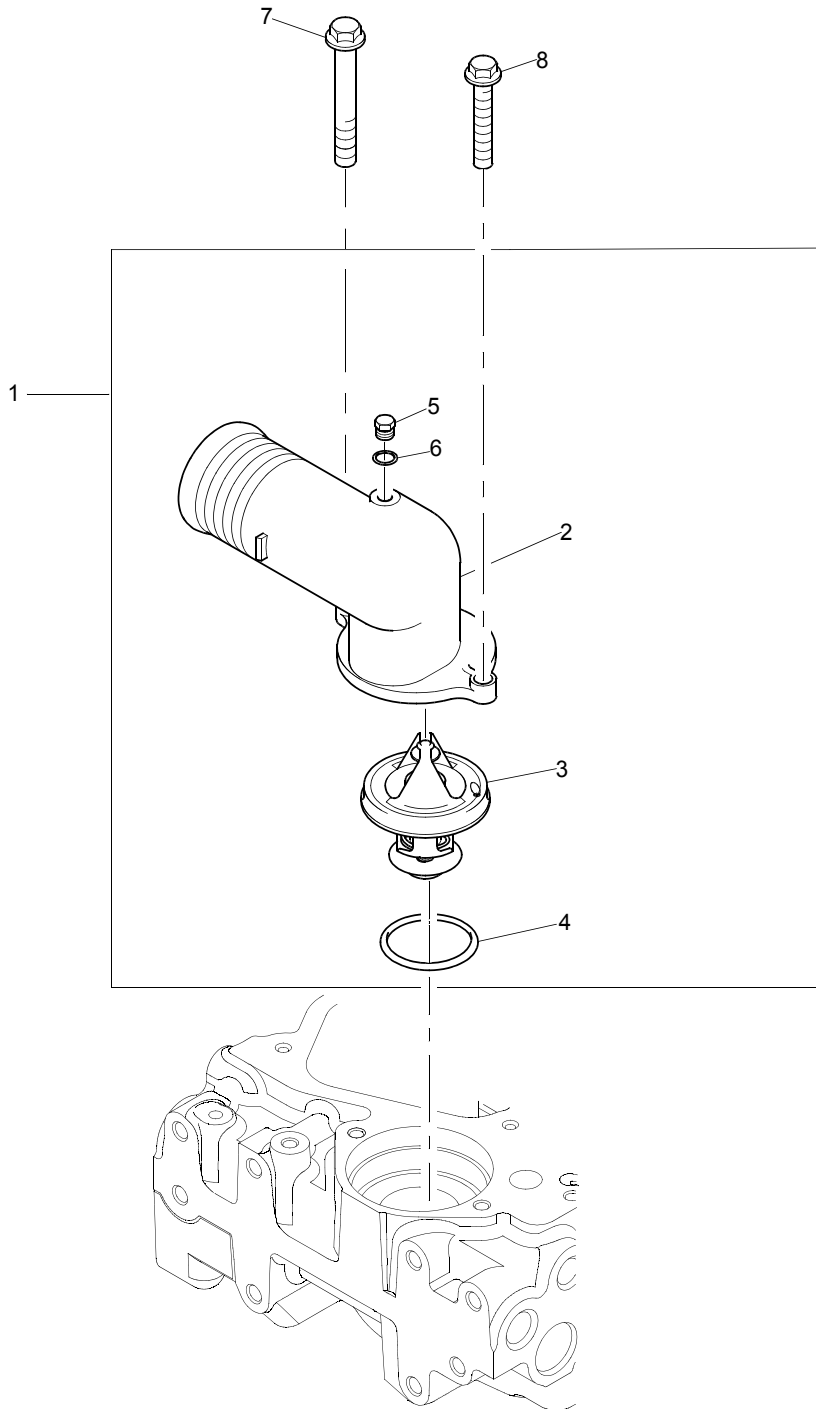
LBH02290



Pipes	Plate A
	LBH02290

Item	Part No.	References	Qty.	Description	Notes
1	4133L048		1	CONNECTION	
2		⇒ 4133L048	1	CONNECTION	
3	2418F002		1	SEAL - O RING	
4	2418F001		1	SEAL - O RING	
5	2314H003		2	SCREW	

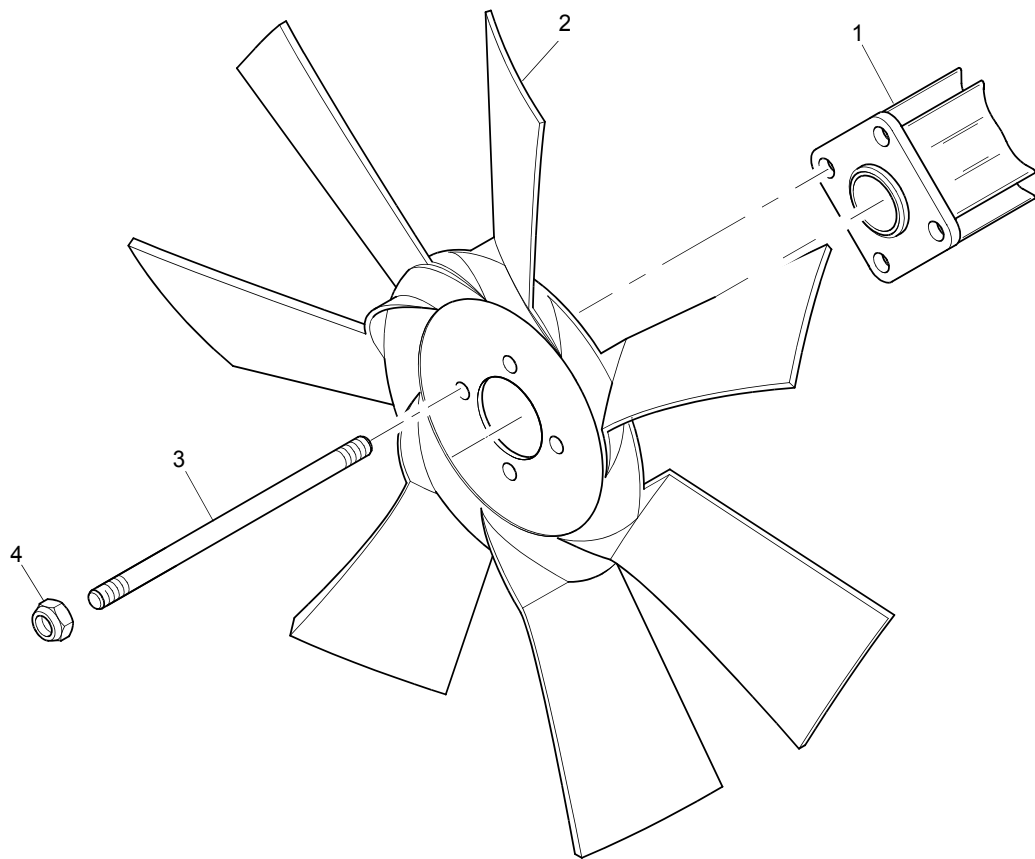
LDH00717



LDH00717

Item	Part No.	References	Qty.	Description	Notes
1	4133L509		1	THERMOSTAT ASSEMBLY	
2		⇒ 4133L509	1	THERMOSTAT HOUSING	
3		⇒ 4133L509	1	THERMOSTAT	
4	2415H219		1	SEAL - THERMOSTAT HOUSING	
5	29990015		1	PLUG	
6	29990016		1	SEAL - O RING	
7	2314H012		1	SCREW	
8	2314H004		1	SCREW	

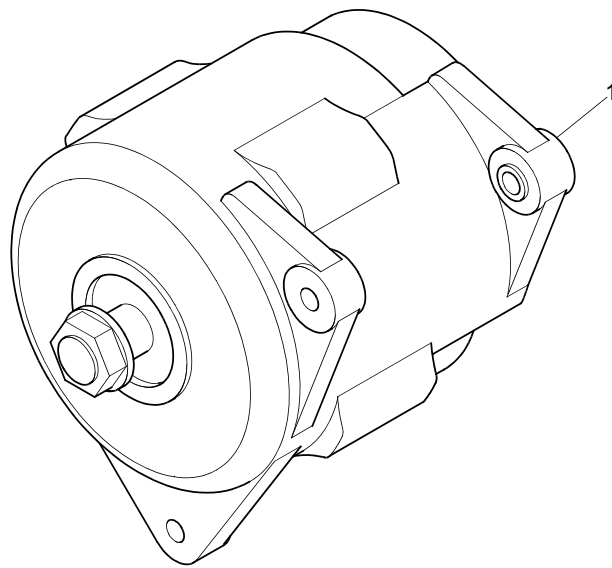
MDH01417



Fan	Plate A
	MDH01417

Item	Part No.	References	Qty.	Description	Notes
1	3748W242		1	EXTENSION	
2	2485C546		1	FAN	
3	2313H236		4	STUD	
4	2318D208		4	NUT	

NDH02864

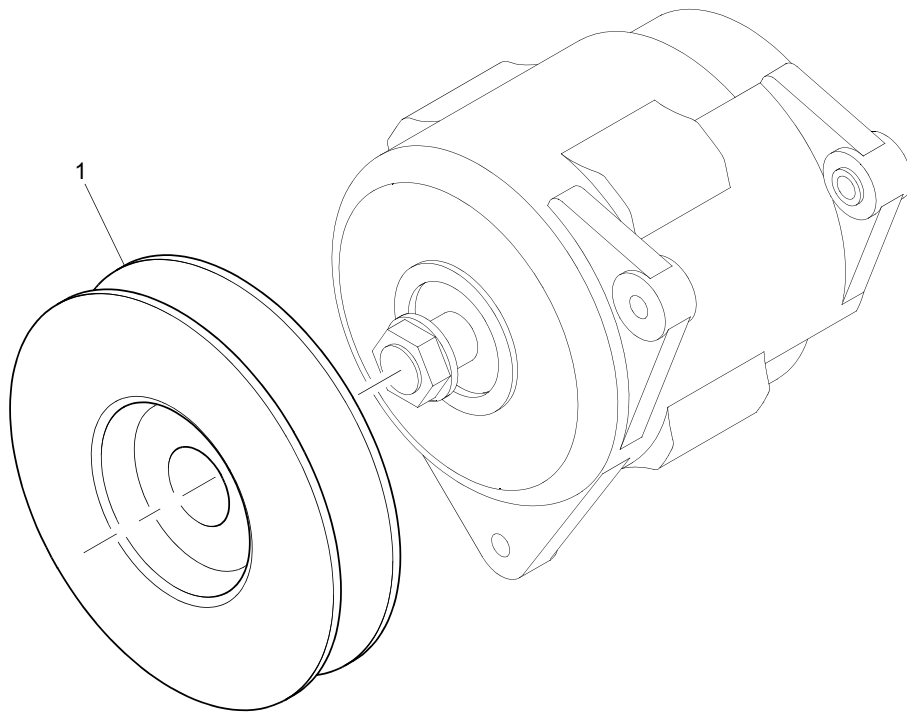


Alternator	Plate A
	NDH02864

Item	Part No.	References	Qty.	Description	Notes
1	2871A301		1	ALTERNATOR	(A)

Footnotes					
(A)	BREAKDOWN OF 2871A301 NOT AVAILABLE.				

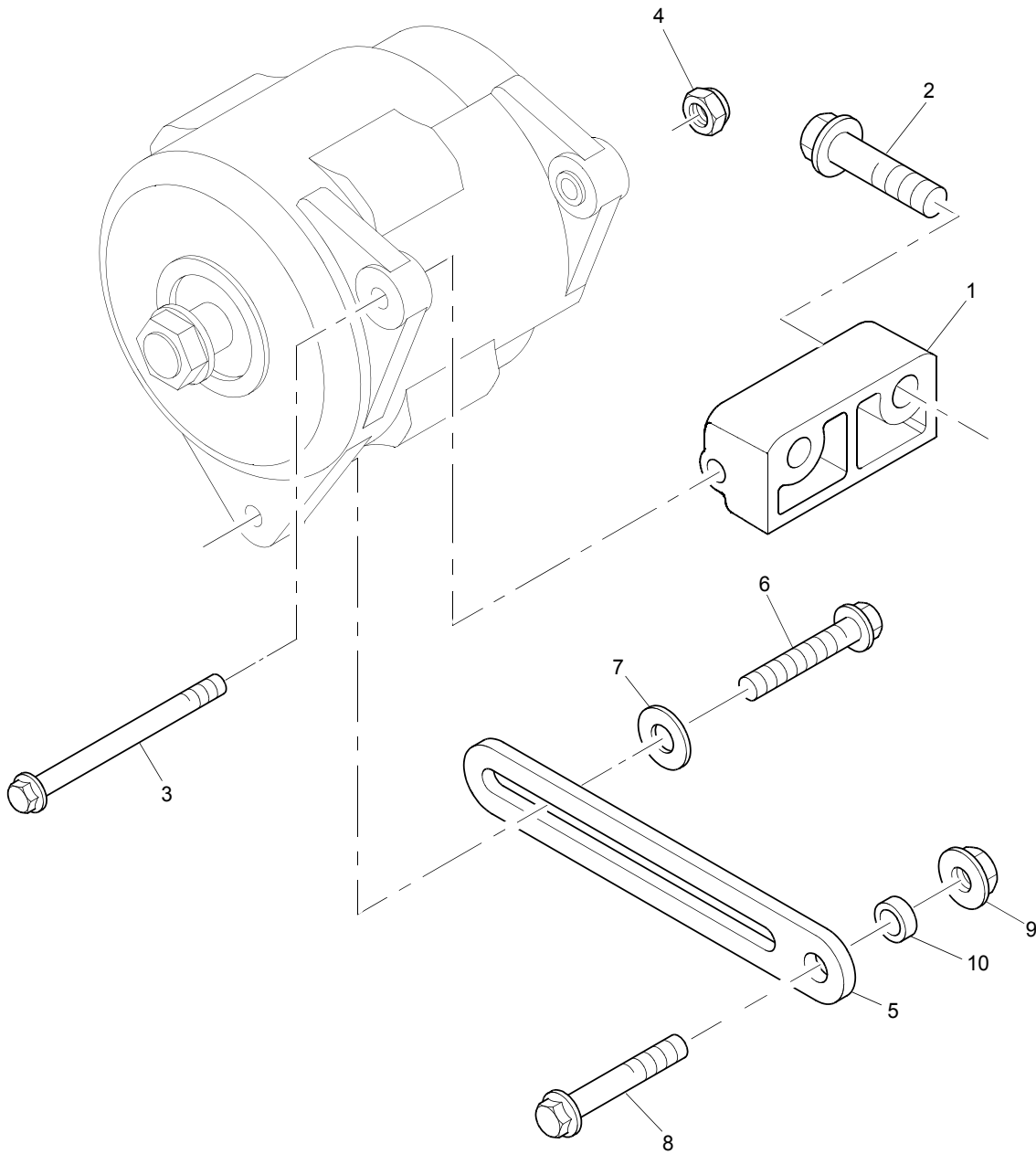
NDH02864



Pulleys	Plate A
	NDH02864

Item	Part No.	References	Qty.	Description	Notes
1	3115H003		1	ALTERNATOR PULLEY	

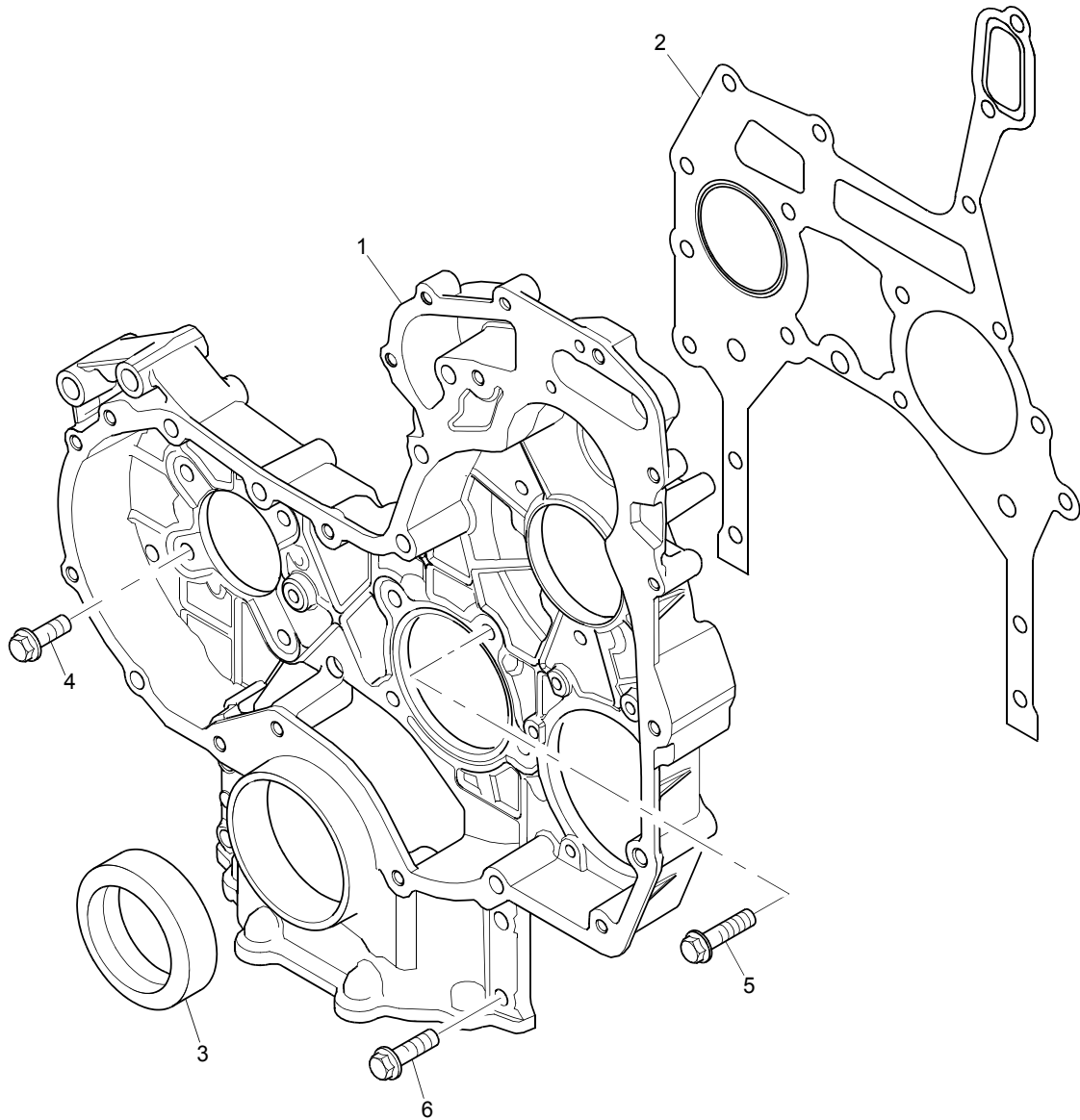
NDH02864




NDH02864

Item	Part No.	References	Qty.	Description	Notes
1	3824A071		1	ALTERNATOR BRACKET	
2	2314J007		2	SCREW	
3	2314H022		1	SCREW	
4	2318D208		1	NUT	
5	36155429		1	LEVER	
6	2314H004		1	SCREW	
7	0920497		1	WASHER	
8	2314J012		1	SCREW	
9	2318A604		1	NUT	
10	0920465		1	SPACER	

QCH00059



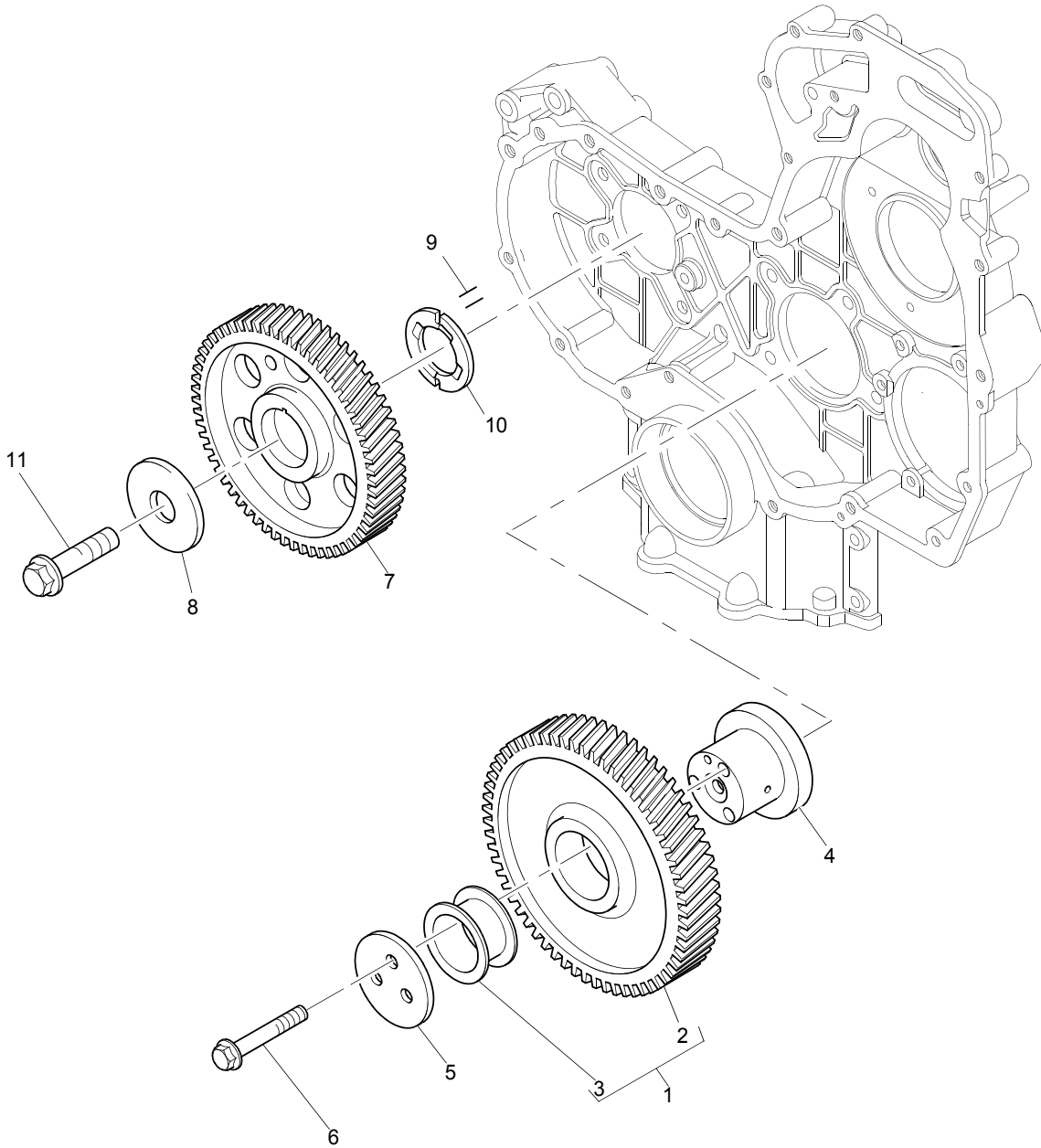
QCH00059

Item	Part No.	References	Qty.	Description	Notes
1	3716C573	 a.	1	TIMING CASE	
2	3681P053		1	GASKET - TIMING CASE	
3	2418F437		1	FRONT OIL SEAL	
4	2314H003		6	SCREW	
5	2314H006		2	SCREW	
6	2314H034		4	SCREW	

History**a.**

1	3716C571		1	TIMING CASE	
---	----------	--	---	-------------	--

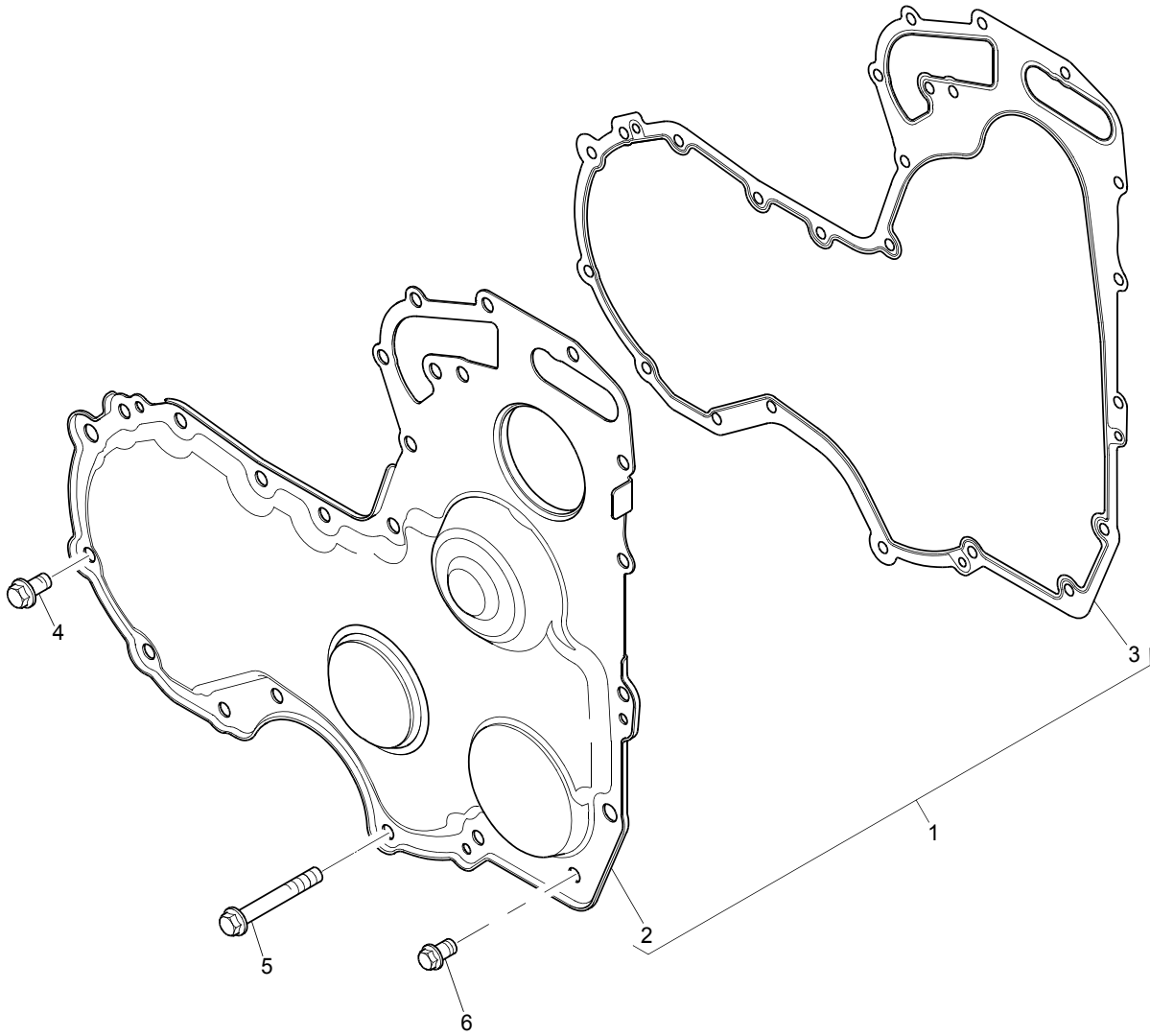
QCH00059



QCH00059

Item	Part No.	References	Qty.	Description	Notes
1	4111A034		1	IDLER GEAR	
2	└	⇒ 4111A034	1	IDLER GEAR	
3	└	⇒ 4111A034	1	BUSH	
4	3311A054	ⓐ a.	1	HUB	
5	3241A025		1	PLATE	
6	2314J011		3	SCREW	
7	3117N001		1	CAMSHAFT GEAR	
8	3321A003		1	WASHER	
9	2116053		1	DOWEL	
10	3112X011		1	THRUST WASHER	
11	2314J606		1	SCREW	
History					
a.					
4	3272A041		1	HUB	

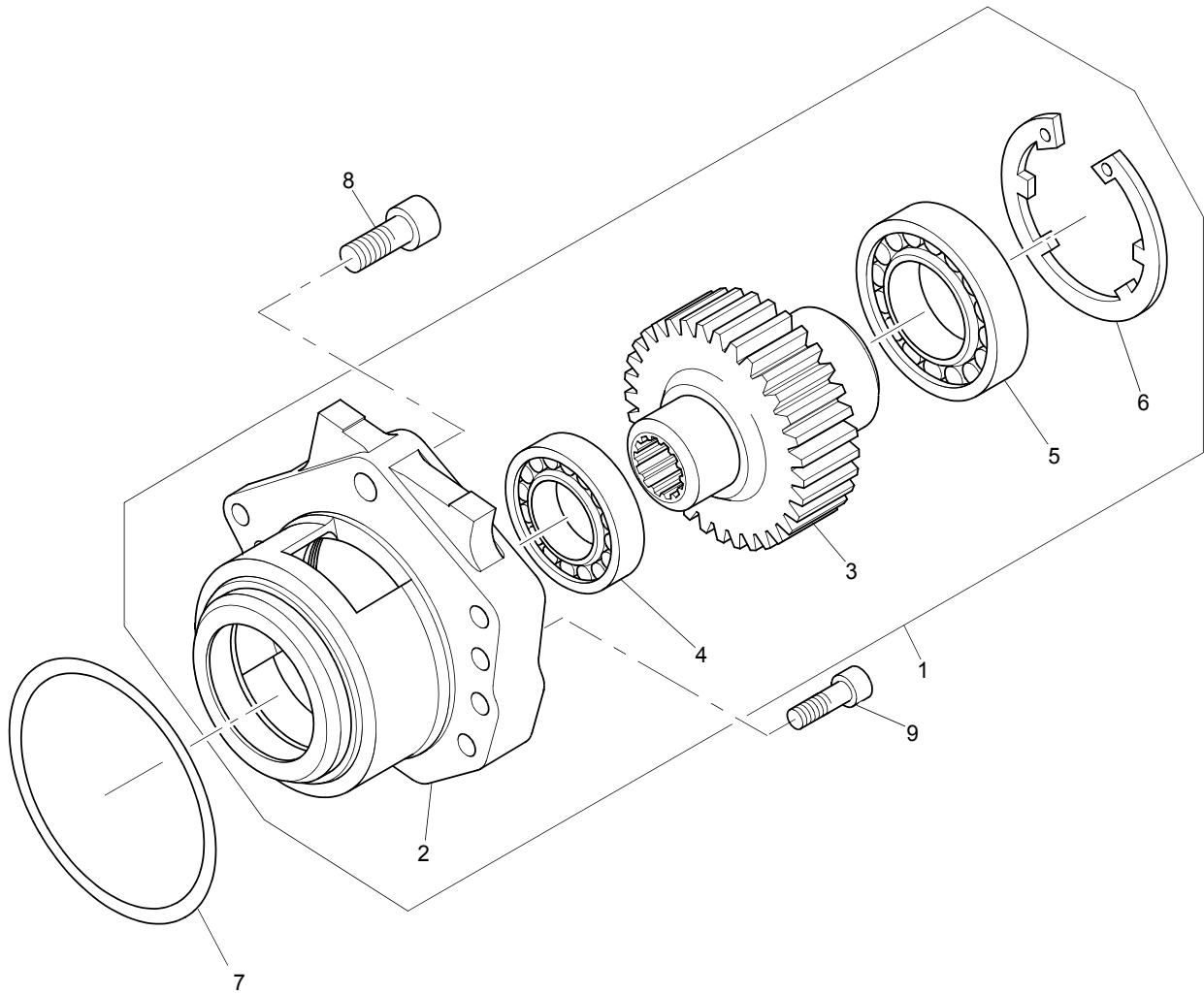
QCH00059




QCH00059

Item	Part No.	References	Qty.	Description	Notes
1	4142A504		1	TIMINGGEAR COVER	
2	└	⇒ 4142A504	1	TIMING COVER	
3	└3681P047		1	GASKET - TIMING CASE COVER	
4	2314H002		9	SCREW	
5	2314H012		5	SCREW	
6	2314J002		1	SCREW	

QDH01432



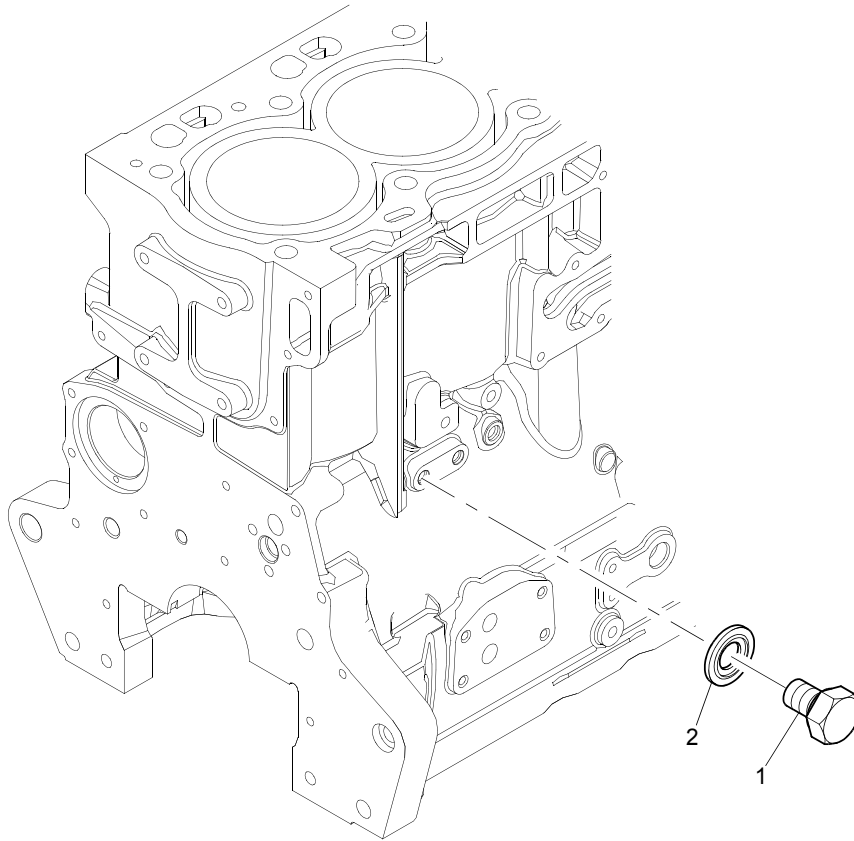
QDH01432

Item	Part No.	References	Qty.	Description	Notes
1	4113H092		1	ADAPTOR	
2	—	⇒ 4113H092	1	ADAPTOR	
3	—3117C251		1	GEAR	
4	—2521A207		1	BALL BEARING	
5	—2521A415		1	BALL BEARING	
6	—2721A537		1	CIRCLIP	
7	2415B167		1	SEAL - O RING	
8	2311D578		1	SCREW	
9	2311D560	 a.	5	SCREW	

History**a.**

9	2311D560		2	SCREW	
	2311D559		3	SCREW	

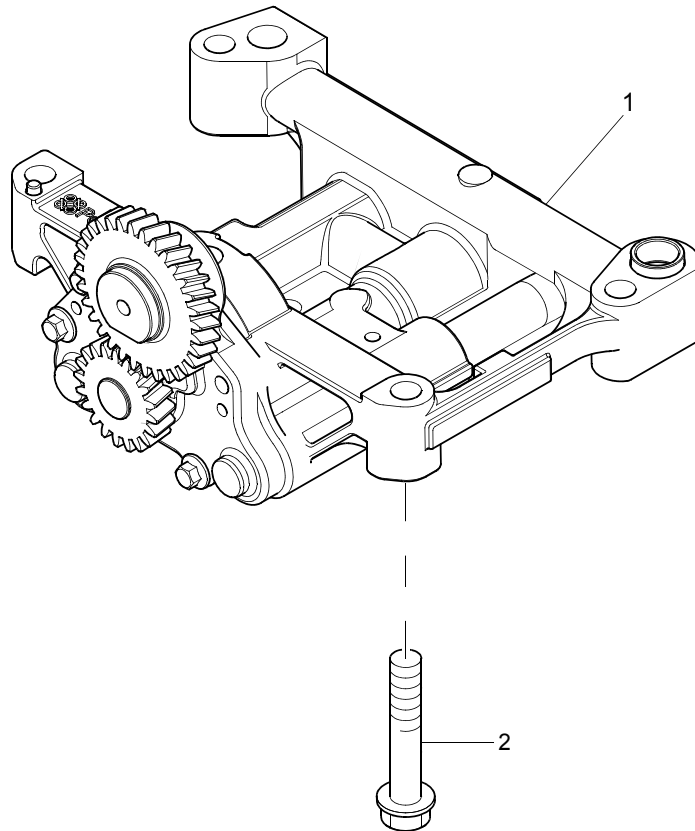
QDH01432



Blanking Plugs	Plate A
	QDH01432

Item	Part No.	References	Qty.	Description	Notes
1	2314C049		1	SCREW	
2	2415D053		1	WASHER	

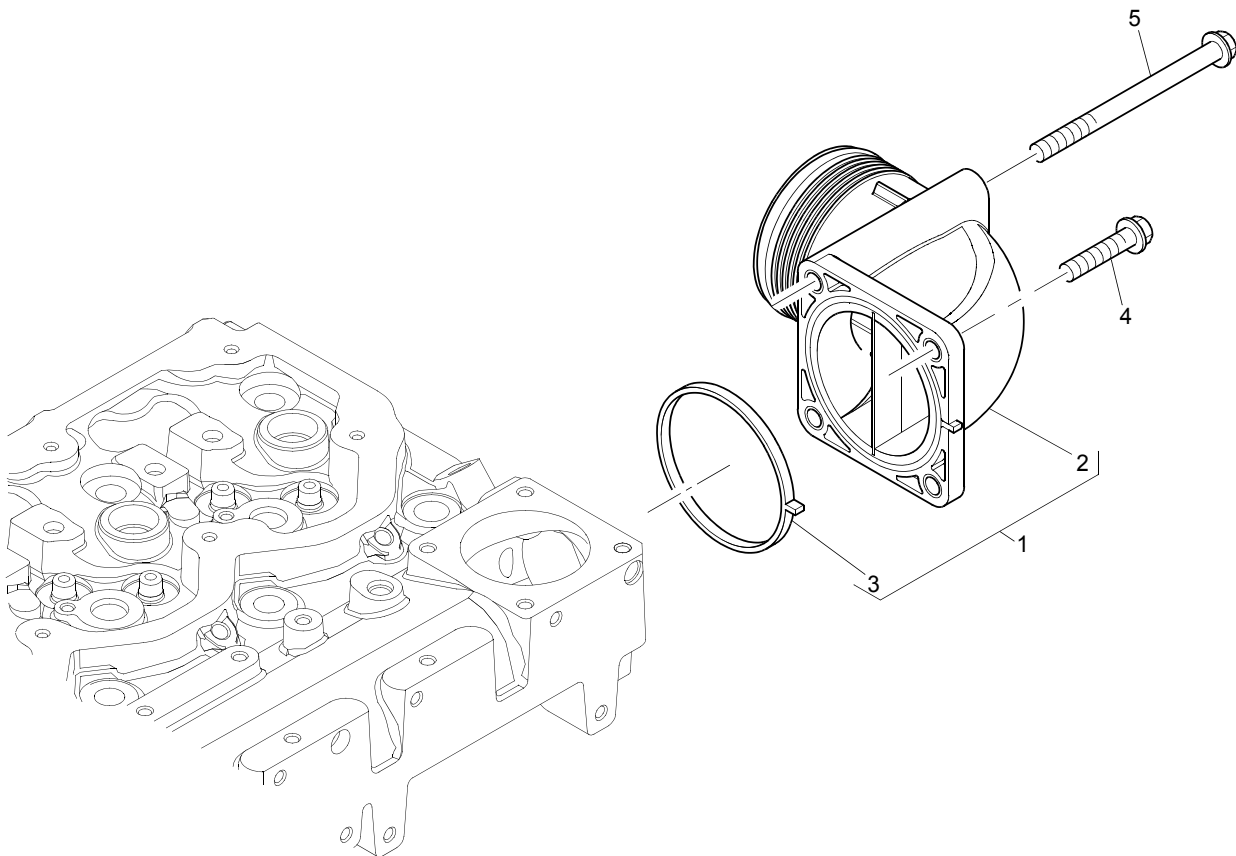
RBH00051



Lubricating Oil Pump & Delivery Housing**Plate A****RBH00051**

Item	Part No.	References	Qty.	Description	Notes
1	4132F073		1	OIL PUMP	
2	2314J008		4	SCREW	

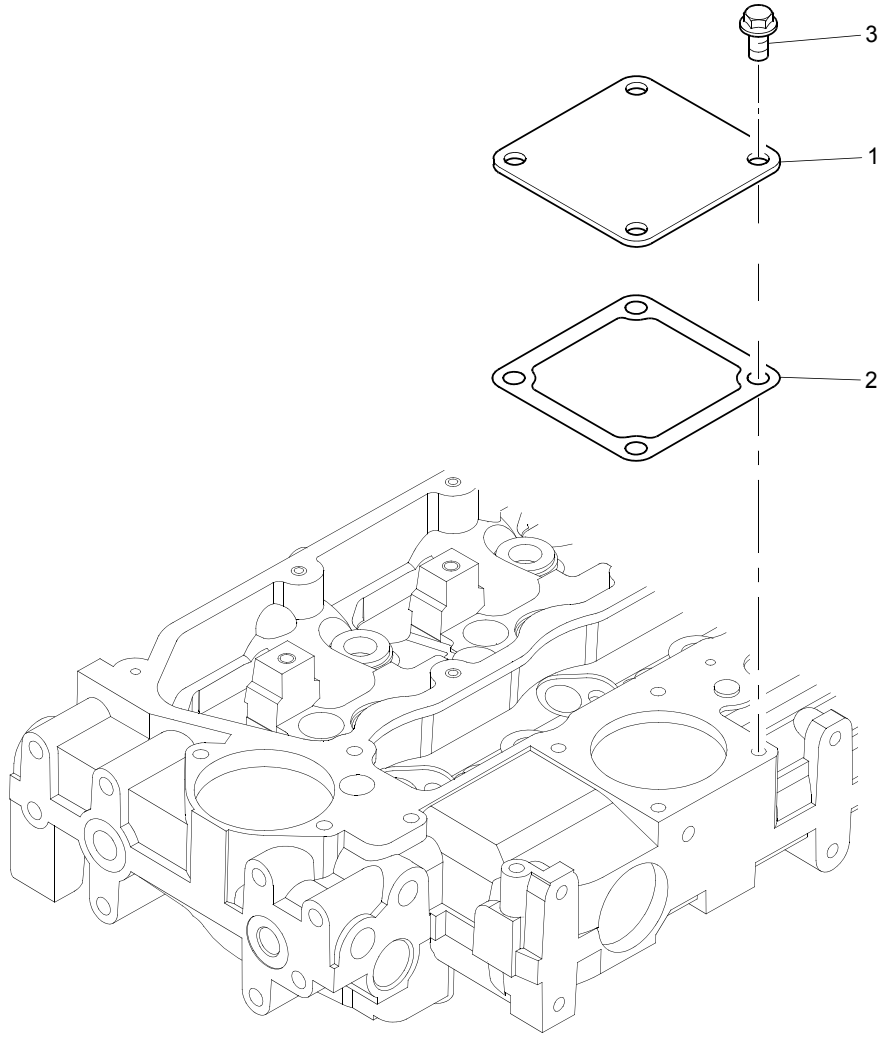
TBH01204



TBH01204

Item	Part No.	References	Qty.	Description	Notes
1	4148K008		1	ELBOW	
2	└	⇒ 4148K008	1	ELBOW	
3	└ 3682A013		1	GASKET - IND MANIFOLD	
4	2314H033		2	SCREW	
5	2314H050		2	SCREW	

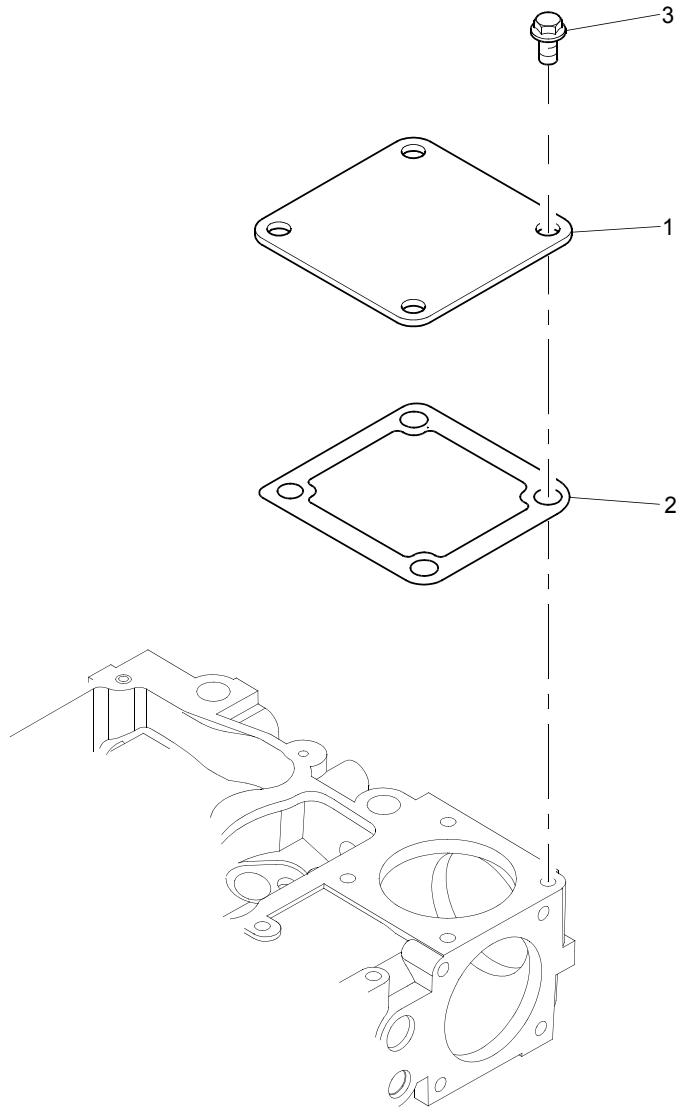
TBH01204



Induction Manifold	Plate A
	TBH01204

Item	Part No.	References	Qty.	Description	Notes
1	3611M009		1	PLATE	
2	3684N503		1	GASKET	
3	2314H002		4	SCREW	

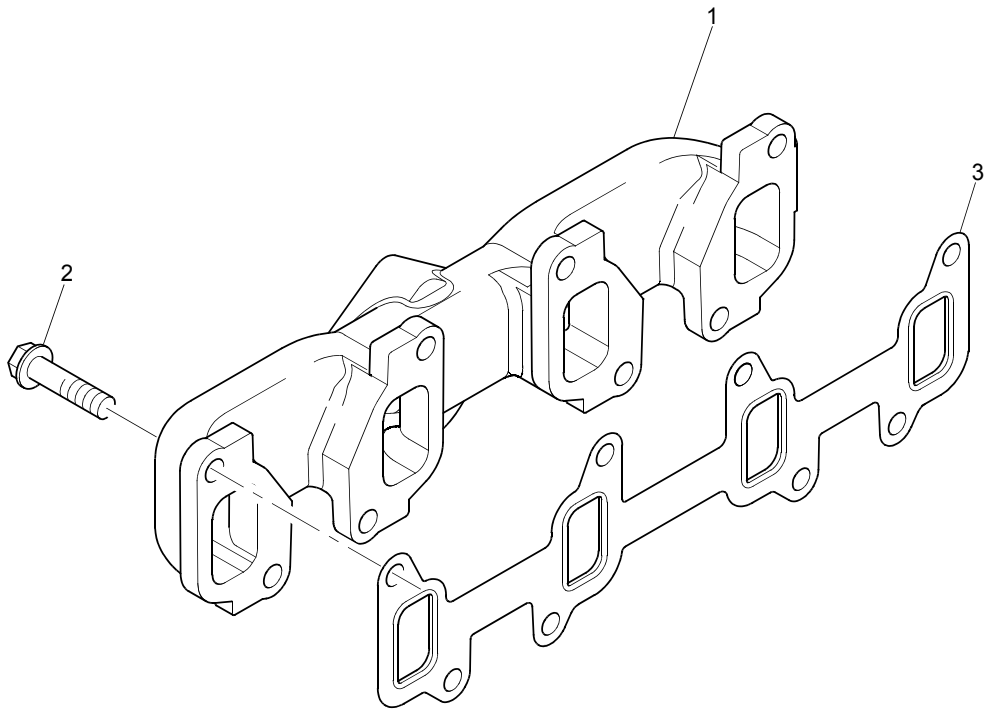
TBH01204



Induction Manifold	Plate B
	TBH01204

Item	Part No.	References	Qty.	Description	Notes
1	3611M009		1	PLATE	
2	3684N503		1	GASKET	
3	2314H032		4	SCREW	

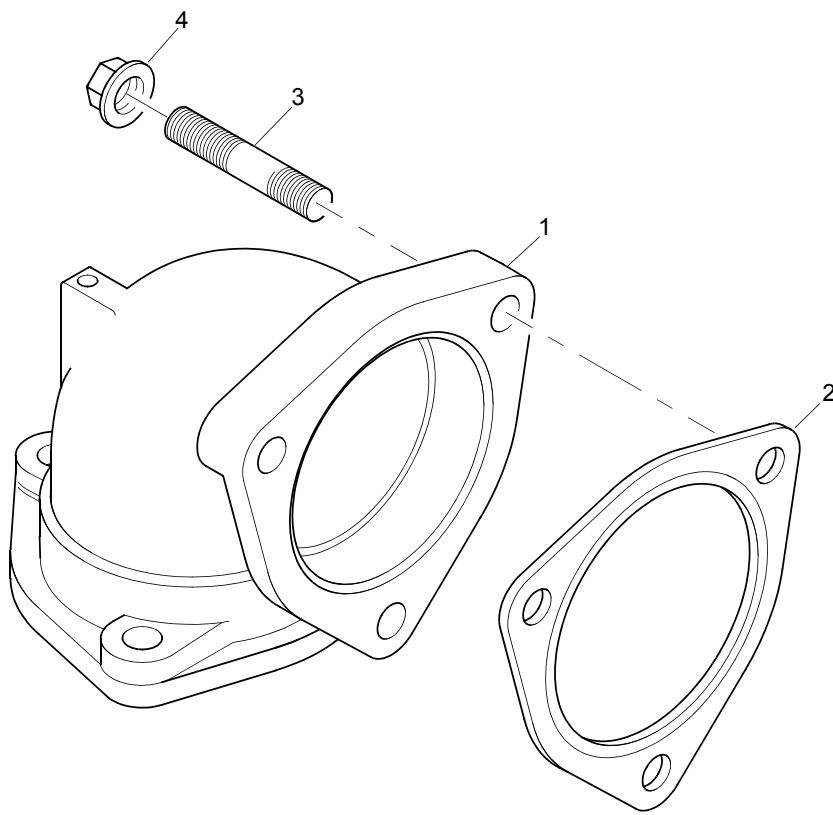
UBH00528



Exhaust Manifold	Plate A
	UBH00528

Item	Part No.	References	Qty.	Description	Notes
1	3778E232		1	EXHAUST MANIFOLD	
2	3218J013		8	SCREW	
3	3681V512		1	GASKET - EXHAUST MANIFOLD	

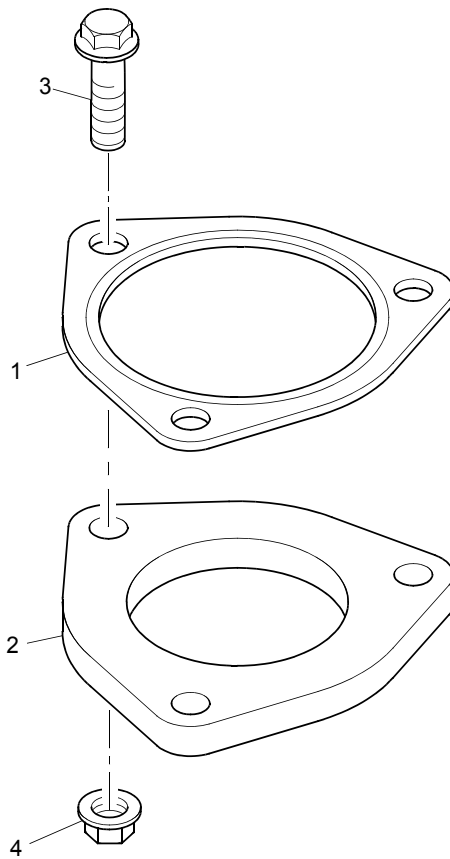
UBH00528



Exhaust Connection**Plate A****UBH00528**

Item	Part No.	References	Qty.	Description	Notes
1	3767A011		1	ELBOW	
2	3688C018		1	GASKET - EXHAUST OUTLET	
3	2313C078		3	STUD	
4	2318A634		3	NUT	

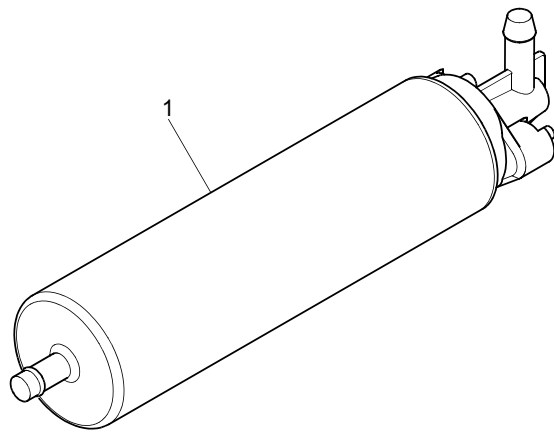
UDH00543



Exhaust Outlet	Plate A
	UDH00543

Item	Part No.	References	Qty.	Description	Notes
1	3688C018		1	GASKET - EXHAUST OUTLET	
2	3623E006		1	FLANGE	
3	2314J005		3	SCREW	
4	2318A634		3	NUT	

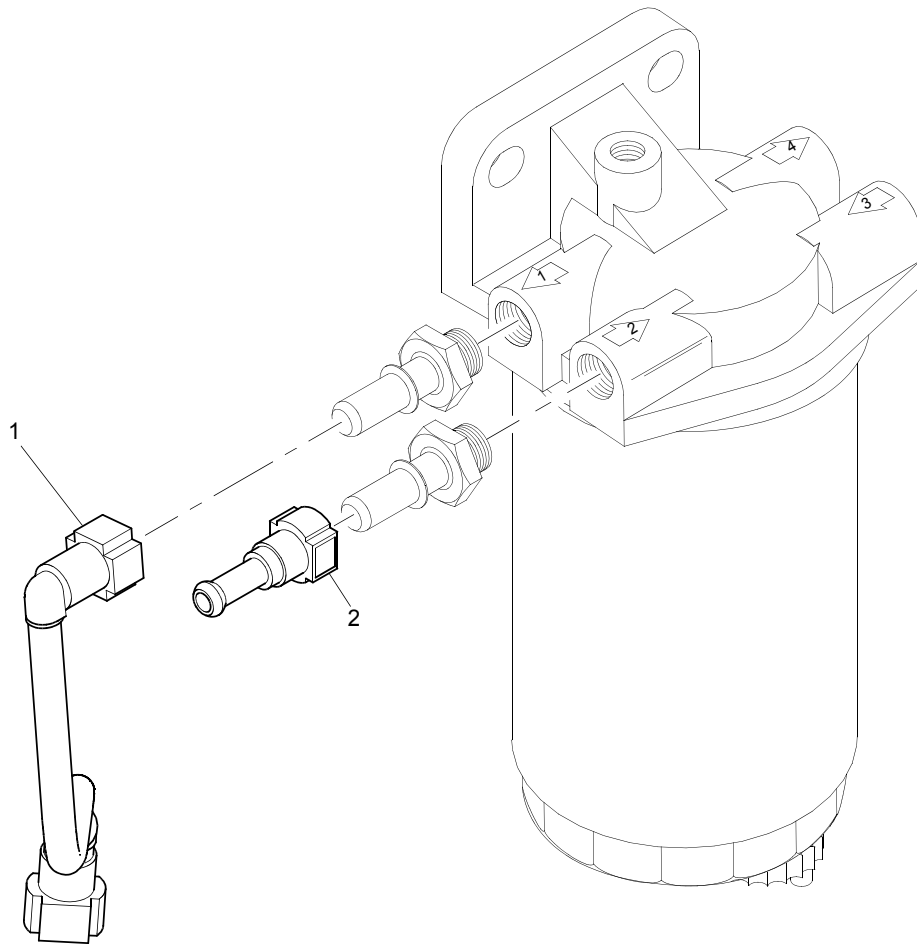
VBH02464



Lift Pump	Plate A
	VBH02464

Item	Part No.	References	Qty.	Description	Notes
1	2641A203		1	LIFT PUMP	

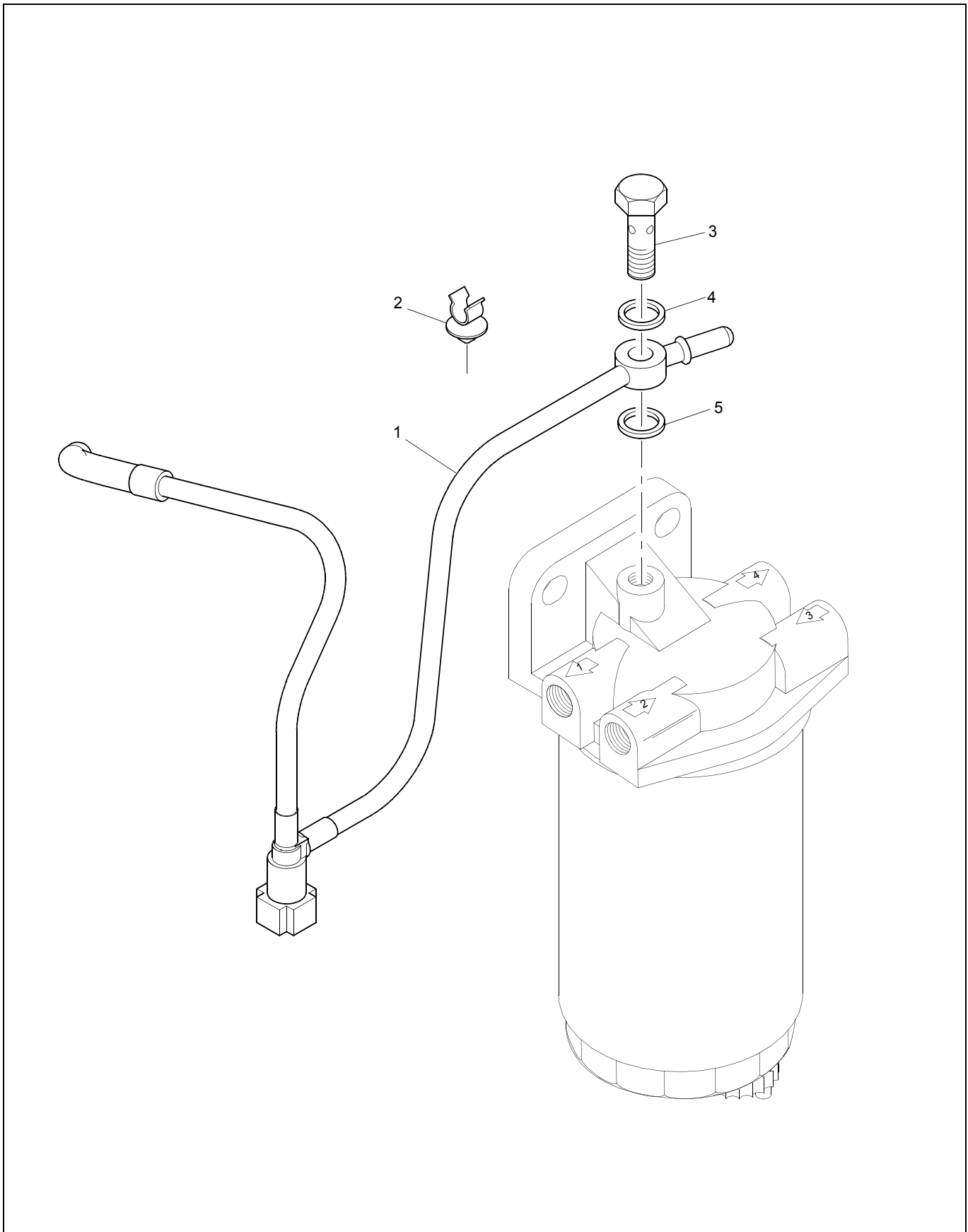
VBH02464



Filter to Injection Pump Pipe**Plate A****VBH02464**

Item	Part No.	References	Qty.	Description	Notes
1	3584A007		1	PIPE - FILTER TO INJ PUMP	
2	3763A046		1	CONNECTION	

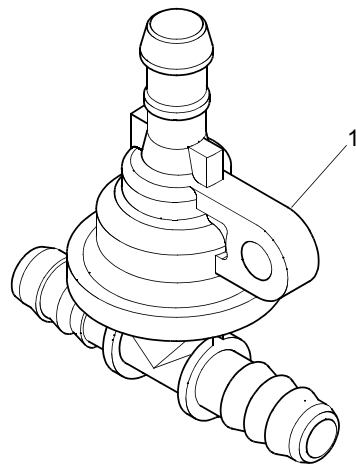
VBH02464



Injection Pump to Filter Pipe**Plate A****VBH02464**

Item	Part No.	References	Qty.	Description	Notes
1	3584A009		1	PIPE - INJ PUMP TO FILTER	
2	2481D456		1	CLIP	
3	3218R013		1	BANJO BOLT	
4	2411D010		1	WASHER	
5	2411D010		1	WASHER	

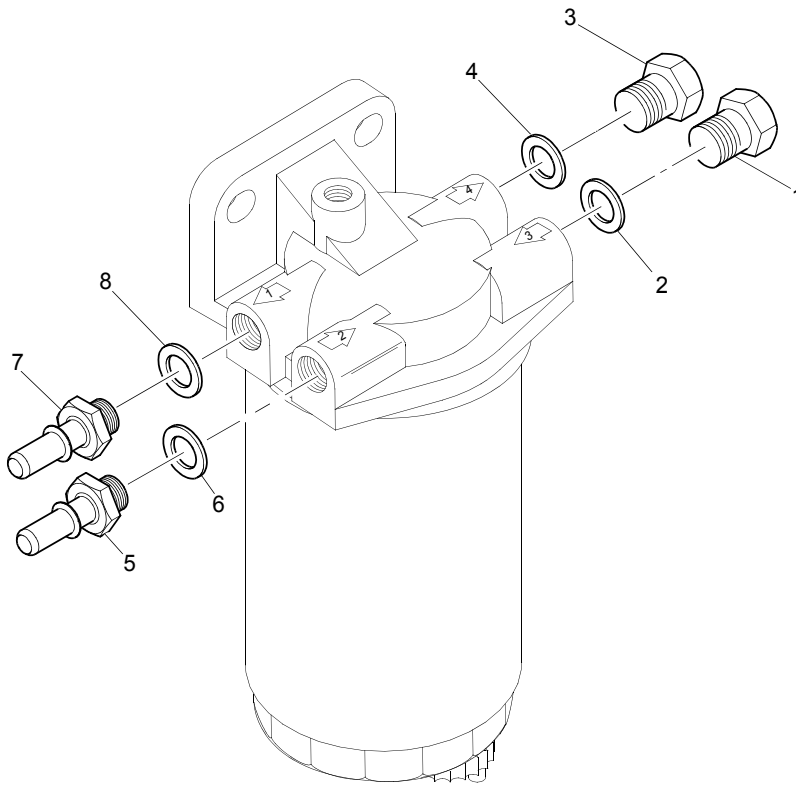
VBH02464



VBH02464

Item	Part No.	References	Qty.	Description	Notes
1	2872A006		1	REGULATOR	

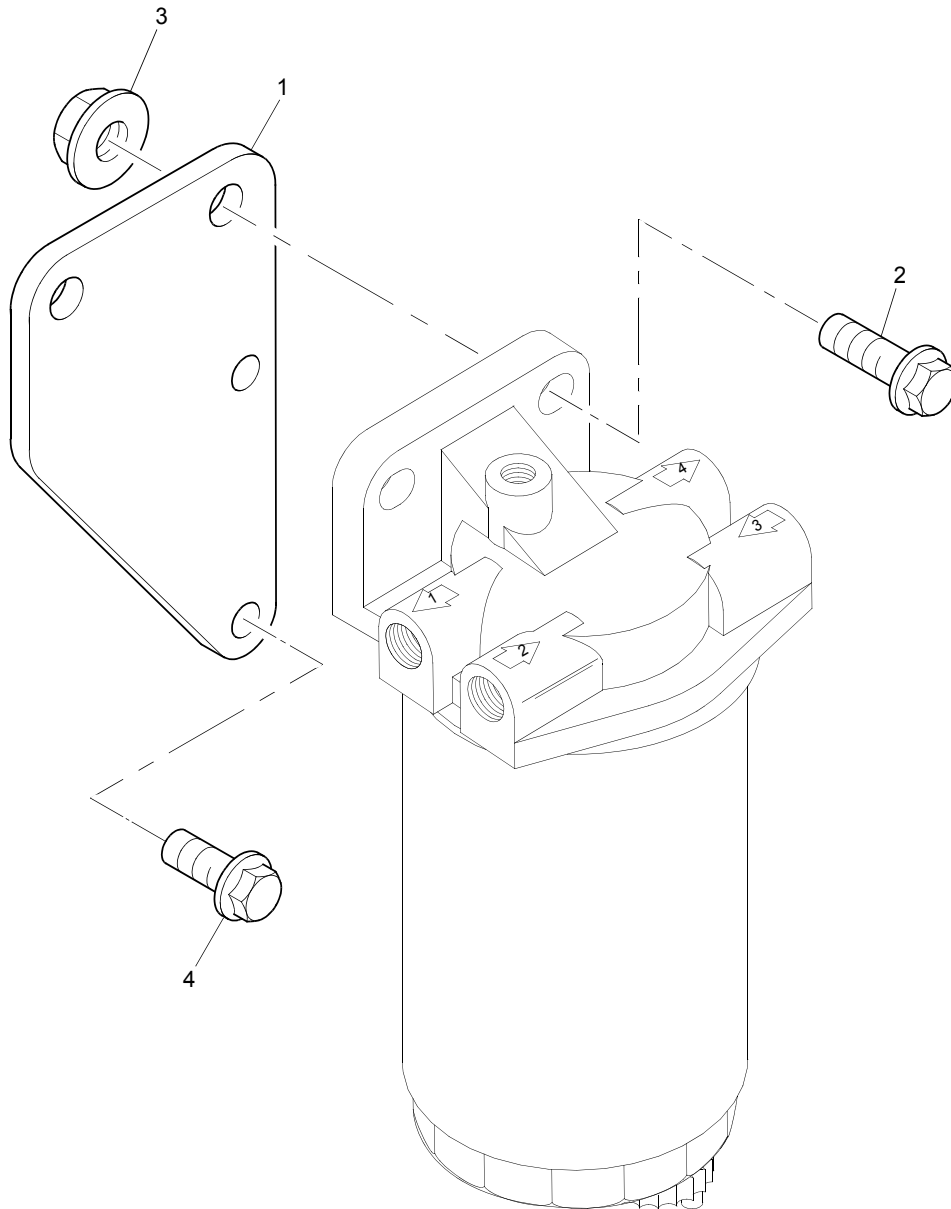
VBH02464




Fuel Filter	Plate A
	VBH02464

Item	Part No.	References	Qty.	Description	Notes
1	0650204		1	PLUG	
2	2411D013		1	WASHER	
3	0650204		1	PLUG	
4	2411D013		1	WASHER	
5	3355A018		1	CONNECTION	
6	2411D013		1	WASHER	
7	3355A019		1	CONNECTION	
8	2411D013		1	WASHER	

VBH02464

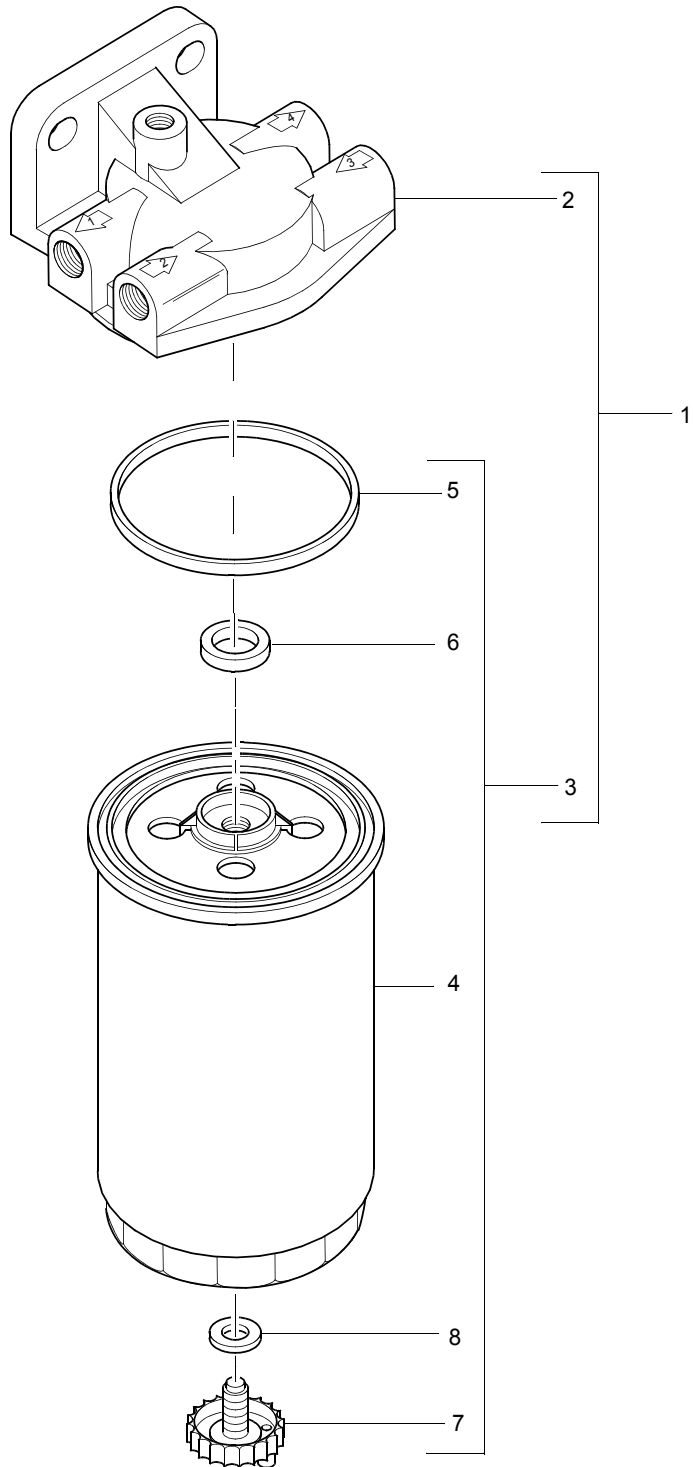


Fuel Filter	Plate B
	VBH02464

Item	Part No.	References	Qty.	Description	Notes
1	3831E015		1	SUPPORT BRACKET	
2	2314J004		2	SCREW	
3	2318A604		2	NUT	
4	2314H003	 a.	2	SCREW	

History					
a.					
4	2314H001		2	SCREW	

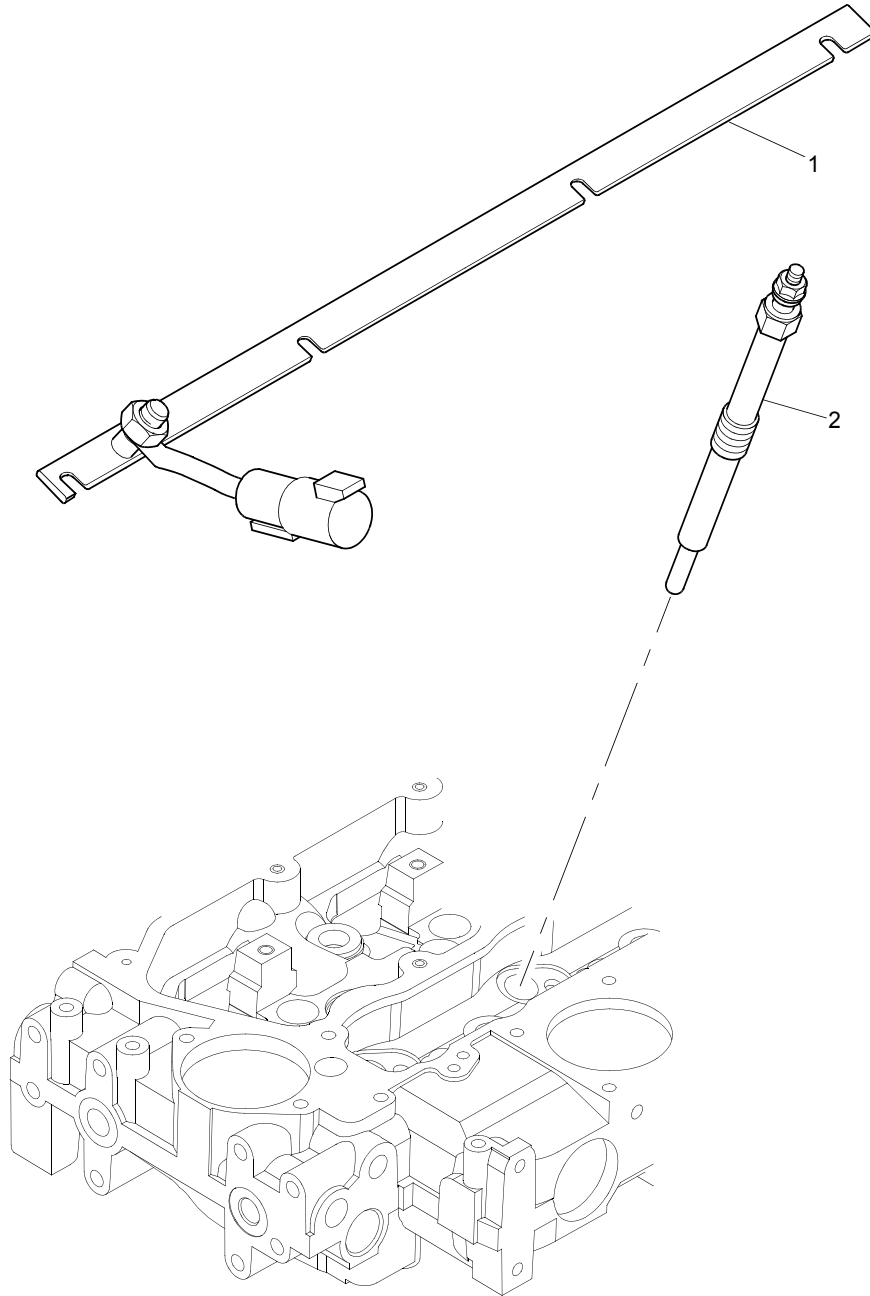
VDH00022



Fuel Filter	Plate A
VDH00022	

Item	Part No.	References	Qty.	Description	Notes
1	2656F802		1	FUEL FILTER ASSEMBLY	
2	└─		1	FUEL FILTER HEAD	
3	└─26560608		1	FUEL FILTER KIT	
4	└─└─	⇒ 26560608	1	FUEL FILTER ELEMENT	
5	└─└─	⇒ 26560608	1	SEAL	
6	└─└─	⇒ 26560608	1	SEAL	
7	└─26560609		1	DRAIN PLUG	
8	└─26431192		1	WASHER	

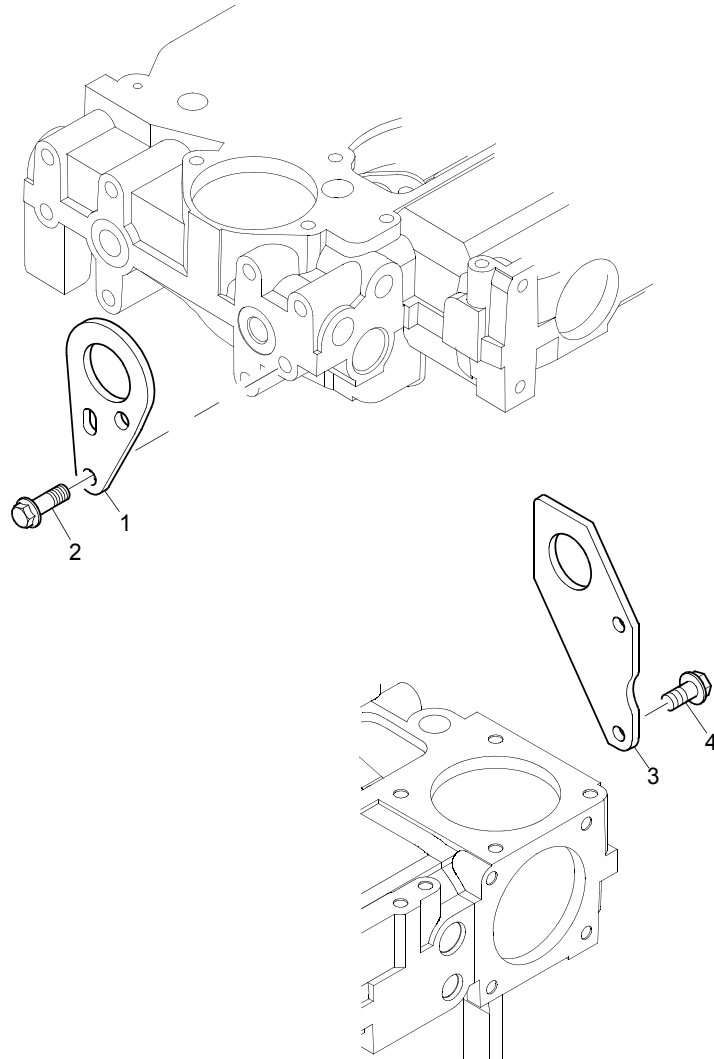
WDH00380



Heater Plugs	Plate A
	WDH00380

Item	Part No.	References	Qty.	Description	Notes
1	3161C054		1	BAR	
2	2666A016		4	GLOWPLUG	

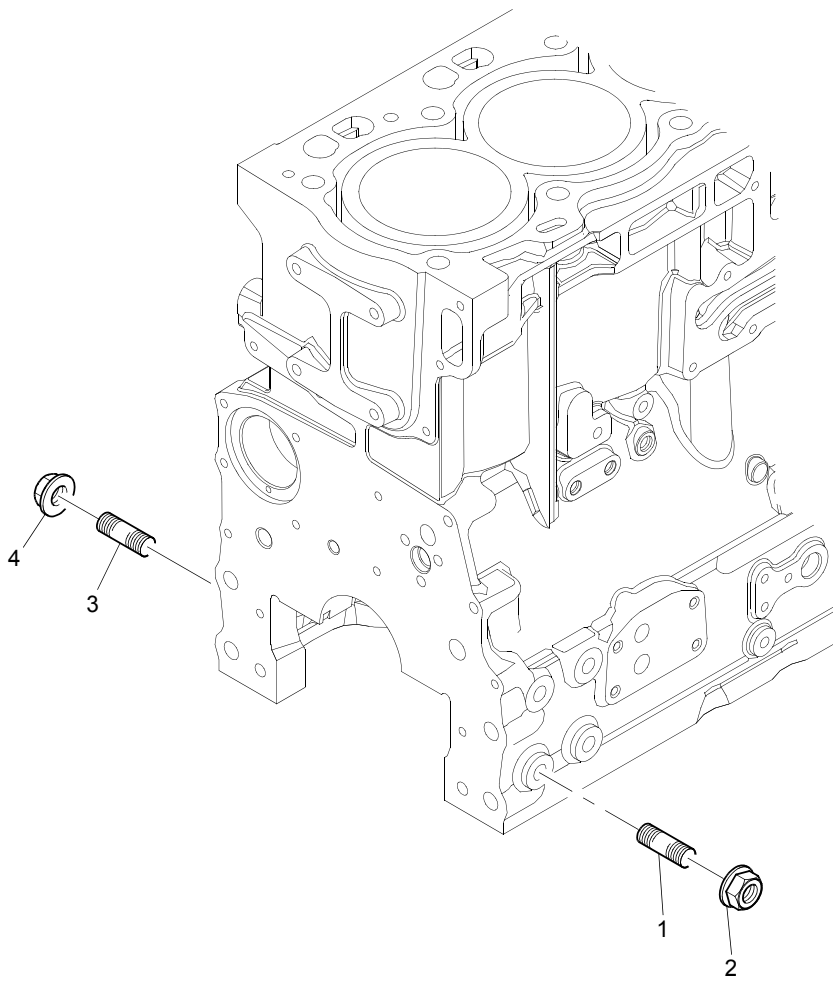
XBH00474



XBH00474

Item	Part No.	References	Qty.	Description	Notes
1	3617A015		1	LIFTING BRACKET	
2	2314J002		2	SCREW	
3	3624A016		1	LIFTING BRACKET	
4	2314J002		2	SCREW	

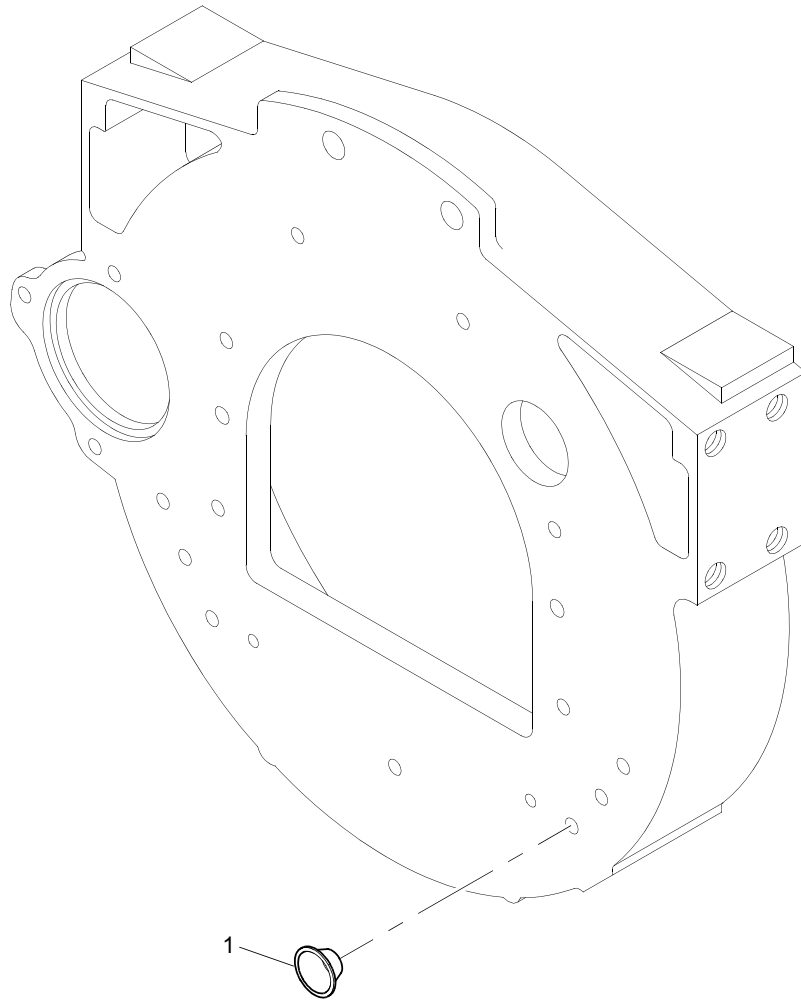
ZCH01263



Engine Mounts	Plate A
	ZCH01263

Item	Part No.	References	Qty.	Description	Notes
1	2313M101		4	STUD	
2	2318F605		4	NUT	
3	2313M101		4	STUD	
4	2318F605		4	NUT	

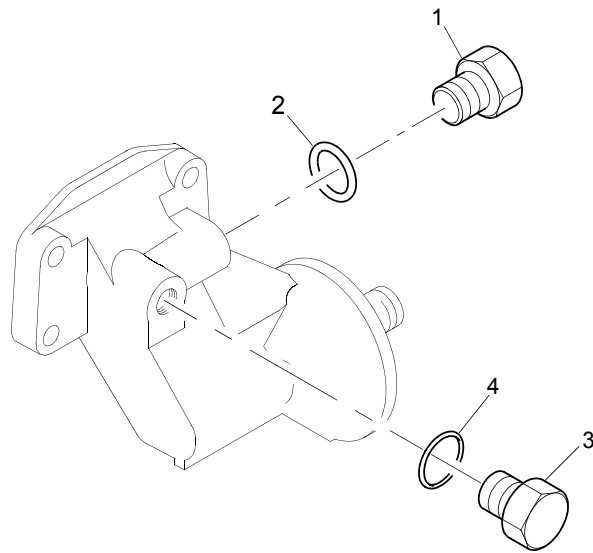
ZCH01263



Engine Mounts		Plate B
		ZCH01263

Item	Part No.	References	Qty.	Description	Notes
1	2487207		6	PLUG	

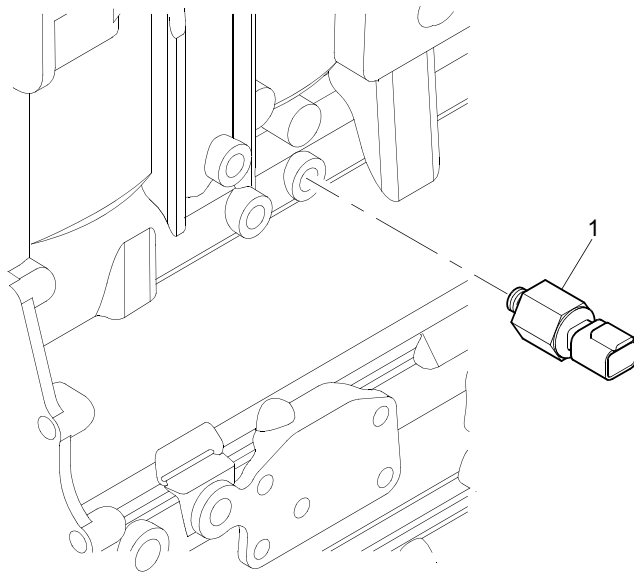
ZJH00600



Lubricating Oil Pressure Switch/Gauge**Plate A****ZJH00600**

Item	Part No.	References	Qty.	Description	Notes
1	3278A004		1	PLUG	
2	2415H002		1	SEAL - O RING	
3	3278A007		1	PLUG	
4	2415H009		1	SEAL - O RING	

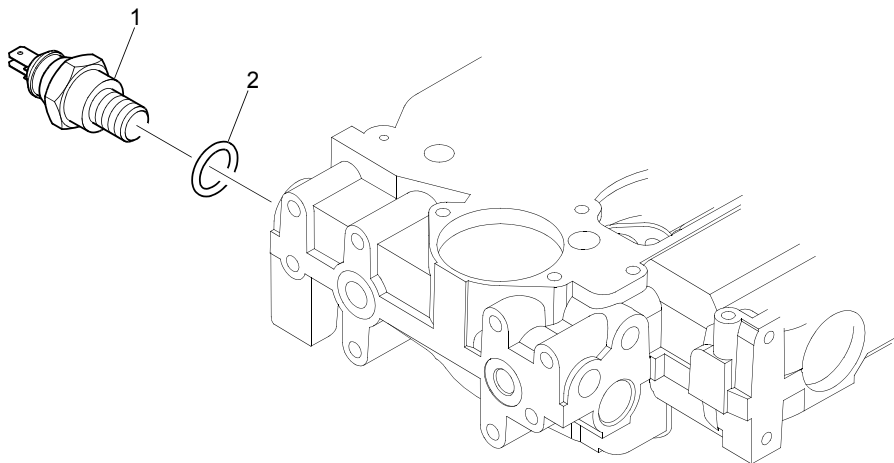
ZJH00600



Lubricating Oil Pressure Switch/Gauge		Plate B
		ZJH00600

Item	Part No.	References	Qty.	Description	Notes
1	2848A051		1	OIL PRESSURE SWITCH	

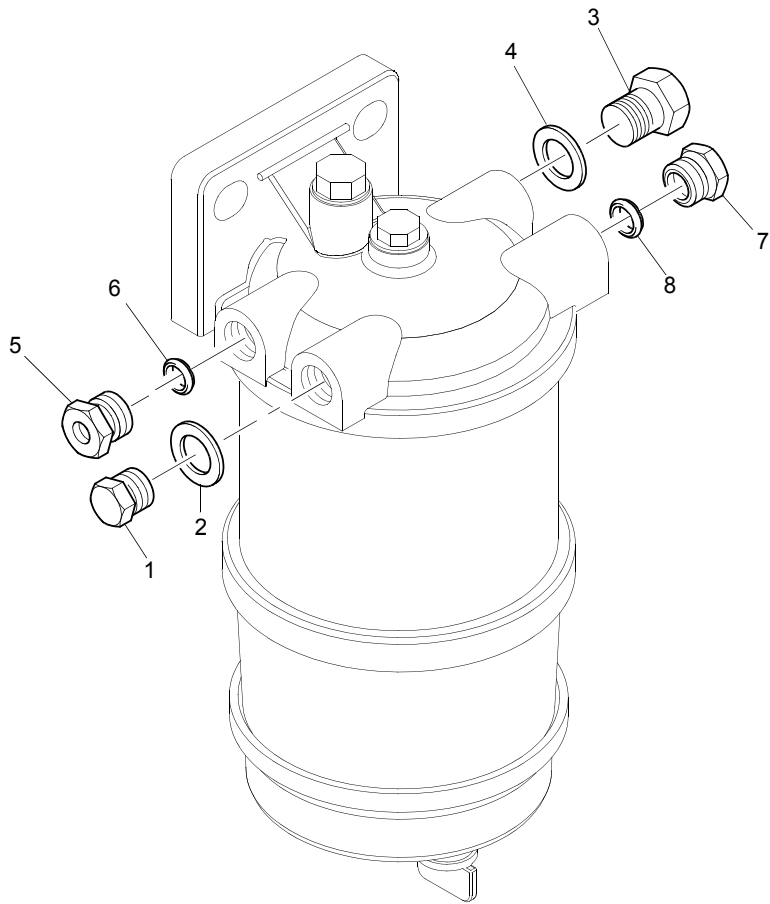
ZLH00370



Temperature Gauge & Sender**Plate A****ZLH00370**

Item	Part No.	References	Qty.	Description	Notes
1	2848A126		1	WATER TEMPERATURE SWITCH	
2	2415H003		1	SEAL - SENSOR	

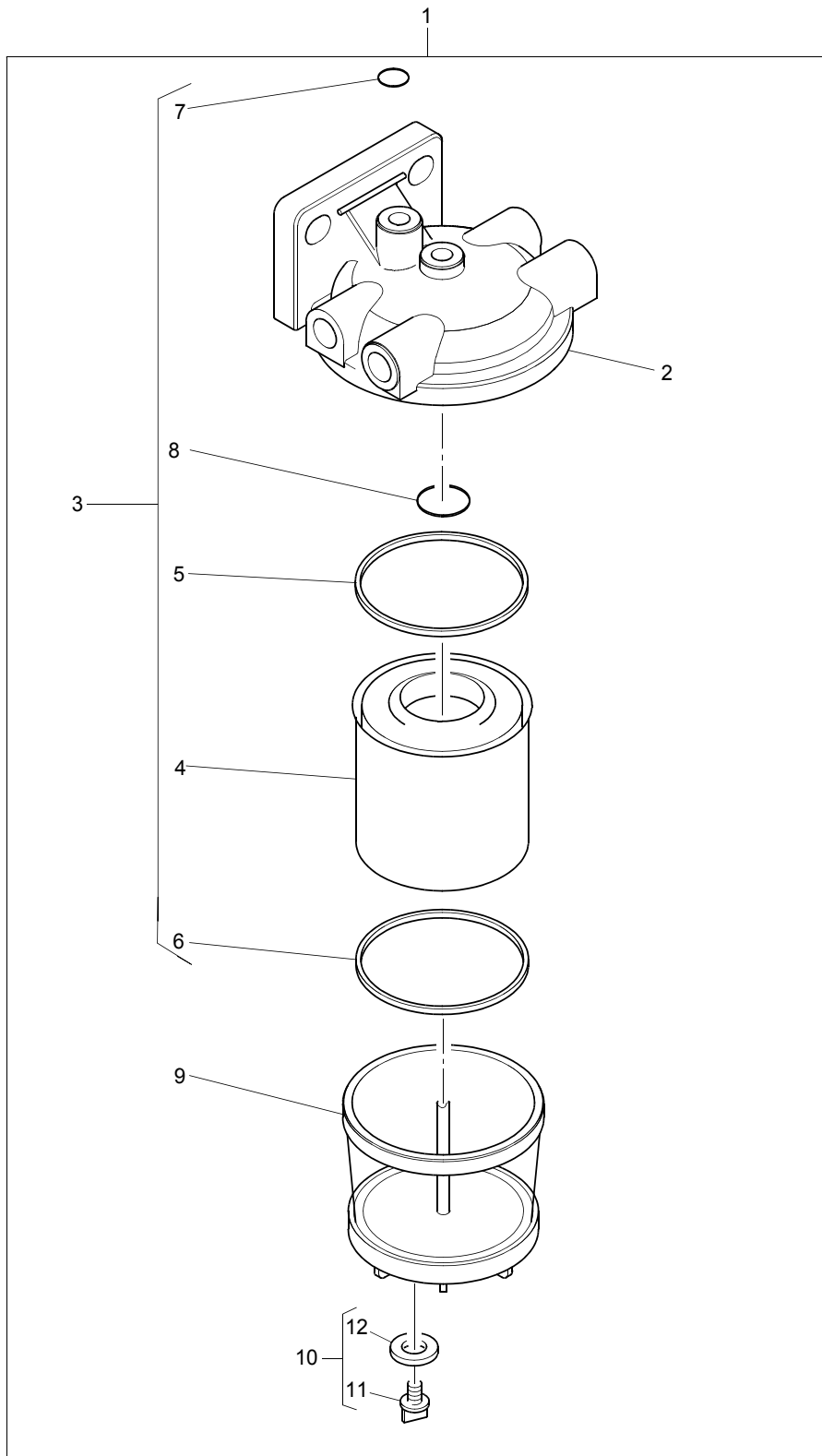
ZVH01069



ZVH01069

Item	Part No.	References	Qty.	Description	Notes
1	0650204		1	PLUG	
2	2411D013		1	WASHER	
3	0650204		1	PLUG	
4	2411D013		1	WASHER	
5	33532129		1	NUT	
6	0566004		1	OLIVE	
7	33532129		1	NUT	
8	0566004		1	OLIVE	

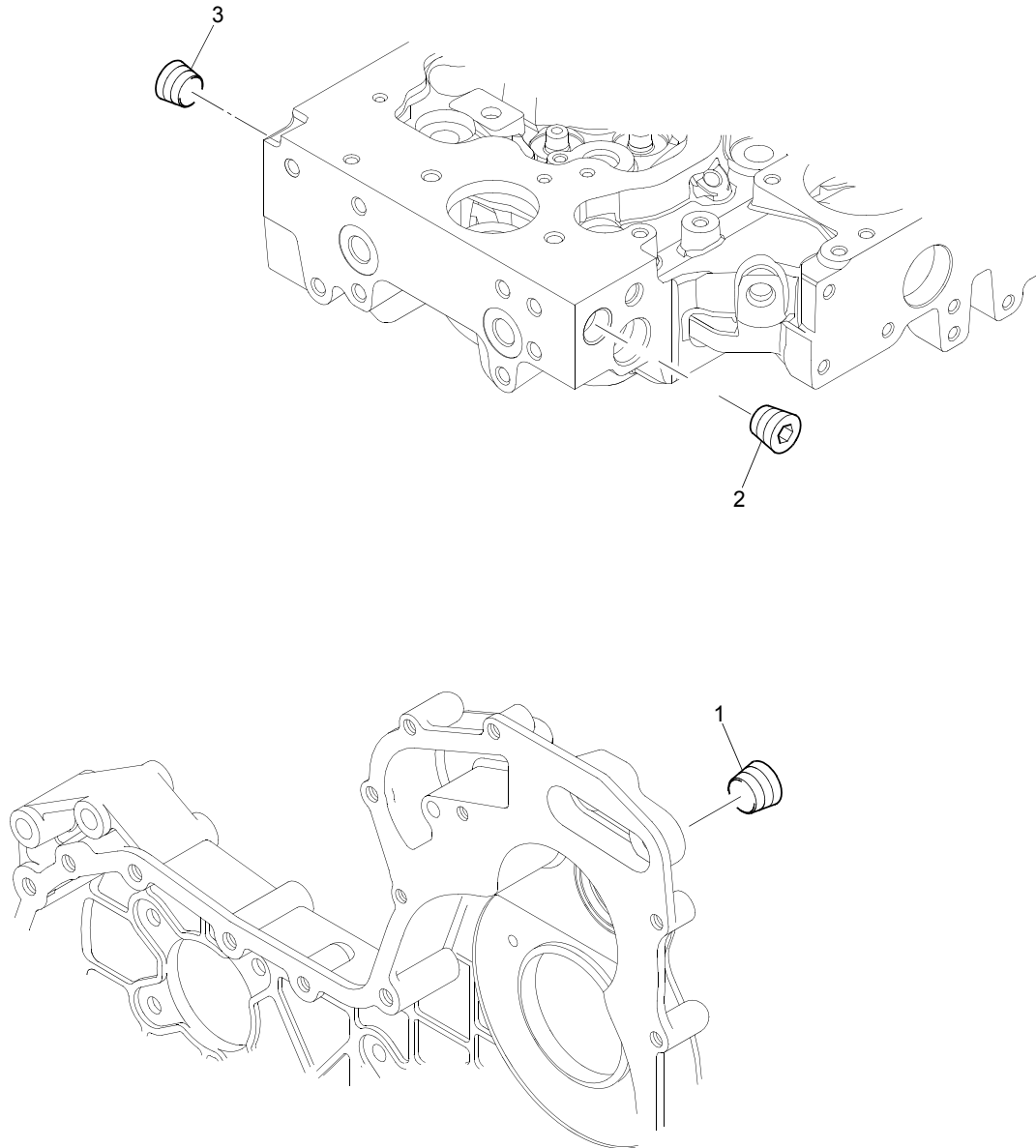
ZVH01069



ZVH01069

Item	Part No.	References	Qty.	Description	Notes
1	2656F823		1	PRE-FUEL FILTER ASSY	
2		⇒ 2656F823	1	FUEL FILTER HEAD	
3	—26550005		1	PRE-FUEL FILTER KIT	
4		⇒ 26550005	1	ELEMENT	
5		⇒ 26550005	2	O RING	
6		⇒ 26550005	1	O RING	
7		⇒ 26550005	1	O RING	
8		⇒ 26550005	1	O RING	
9	—26560181		1	FUEL FILTER BOWL	
10	—26560614		1	PLUG	
11		⇒ 26560614	1	PLUG	
12	—26431192		1	WASHER	

ZZH01065



ZZH01065

Item	Part No.	References	Qty.	Description	Notes
1	2431154		1	PLUG	
2	2431154		1	PLUG	
3	2431154		1	PLUG	

Description	Part No.	Page
ADAPTOR	4113H092	101
ALTERNATOR	2871A301	89
ALTERNATOR BRACKET	3824A071	93
ALTERNATOR PULLEY	3115H003	91
BALL BEARING	2521A207	101
	2521A415	101
BANJO BOLT	3218R013	123
BAR	3161C054	133
BELT	2614B655	55
BIG END BEARING KIT	U5ME0026	23
BIG END BRG KIT - U/S	U5ME0026A	23
	U5ME0026B	23
	U5ME0026C	23
BLANKING PLATE	3623A009	19, 75
BLOCK	3241N001	79
BOLT	32186137	79
BRACKET	3641A007	35
	3653A017	41
BRIDGE PIECE	3627P041	57
CABLE	3161C017	43
CAMSHAFT	4112K031	33
CAMSHAFT BUSH	3112D071	19
CAMSHAFT GEAR	3117N001	97
CAP	2646E501	47
	3342A021	29, 29

Description	Part No.	Page
	3788A002	63
	3788A003	63
CIRCLIP	2721332	25
	2721A537	101
	2722A022	31
CLIP	2481D456	41, 123
	2481Y011	37
	2481Y012	37
	2646E019	37
CON ROD ASSEMBLY	4115C311	27
	4115C312	27
	4115C313	27
	4115C314	27
	4115C315	27
	4115C316	27
CON ROD BOLT	3212V003	27
CONNECTION	3355A018	127
	3355A019	127
	3763A046	121
	4133L048	83
COOLER	4134W024	71
COVER	3788N003	65
COVER PLATE	3615A009	63
CRANKSHAFT GEAR	3117C221	23
CRANKSHAFT KIT	ZZ90222	23
CRANKSHAFT KIT - EXCHANGE	ZZ90222P	23

Parts Index

Description	Part No.	Page
CRANKSHAFT PULLEY	3114V041	79
CYL HEAD COVER ASSY	4142X324	63
CYLINDER HEAD BOLT	3218A011	29
	3218A012	29
DIAPHRAGM	3789A001	63
DIPSTICK	3178C069	59
DOWEL	2116053	97
	3244A009	19
	3245A011	49
DRAIN PLUG	26560609	131
ELBOW	3767A011	115
	4148K008	107
EXHAUST MANIFOLD	3778E232	113
EXHAUST VALVE	3142A171	29
EXTENSION	3748W242	87
FAN	2485C546	87
FAN DRIVE HOUSING	4113K005	55
FAN DRIVE PULLEY	3115C113	55
FLANGE	3623E006	117
FLYWHEEL ASSEMBLY	4111D272	51
FLYWHEEL HOUSING	3713K027	49
FRONT OIL SEAL	2418F437	95

Description	Part No.	Page
FUEL FILTER ASSEMBLY	2656F802	131
FUEL FILTER BOWL	26560181	149
FUEL FILTER KIT	26560608	131
FUEL INJECTION PUMP	2644C319/22	35
FUEL INJECTION PUMP GEAR	3117L261	35
GASKET	36832137	61
	3684N503	109, 111
GASKET - CYL. HEAD COVER	3681A055	63
GASKET - CYLINDER HEAD	3681E051	29
GASKET - EXHAUST MANIFOLD	3681V512	113
GASKET - EXHAUST OUTLET	3688C018	115, 117
GASKET - IND MANIFOLD	3682A013	107
GASKET - OIL COOLER	3685A033	71
GASKET - OIL FILTER HEAD	3688A039	19, 73, 75
GASKET - SUMP	3681K037	57
GASKET - TIMING CASE	3681P053	95
GASKET - TIMING CASE COVER	3681P047	99
GASKET - WATER PUMP	24880234	81
	3682A011	81
GEAR	3117C251	101

Description	Part No.	Page
GLOWPLUG	2666A016	133
HOSE	2646F501	47
HUB	3272A041	97
	3311A054	97
IDLER GEAR	4111A034	97
INJECTOR	2645K027	39
INJECTOR CLAMP	3751A241	39
INJECTOR WASHER	L311FF02	39
INSERT	2137435	57
INTAKE VALVE	3142H101	29
LEVER	36155429	93
LIFT PUMP	2641A203	119
LIFTING BRACKET	3617A015	135
	3624A016	135
MAIN BEARING KIT	U5MB0018	23
MAIN BEARING KIT - U/S	U5MB0018A	23
	U5MB0018B	23
	U5MB0018C	23
METRIC BOLT	3211C002	21
NUT	2318A108	35
	2318A603	35
	2318A604	53, 93, 129
	2318A634	115, 117
	2318D208	87, 93
	2318F605	137, 137
	3331A006	31, 31

Description	Part No.	Page
	33532129	147, 147
OIL FILLER CAP	4142X099	63
OIL FILTER	2654407	77
OIL FILTER HEAD	3773A061	73
OIL PRESSURE SWITCH	2848A051	143
OIL PUMP	4132F073	105
OLIVE	0566004	147, 147
	33812116	59
PIPE - BREATHER	4134K021	67
PIPE - FILTER TO INJ PUMP	3584A007	121
PIPE - FUEL INJ NO 1 CYL	3525A101	37
PIPE - FUEL INJ NO 2 CYL	3525A102	37
PIPE - FUEL INJ NO 3 CYL	3525A103	37
PIPE - FUEL INJ NO 4 CYL	3525A104	37
PIPE - INJ PUMP TO FILTER	3584A009	123
PISTON AND RING KIT	U5PR0063	25
PISTON COOLING JET	2113A003	19
PISTON RING KIT	UPRK0003	25
PLATE	0240356	49
	3241A025	97
	3611M009	109, 111
PLUG	0650204	127, 127, 147, 147

Parts Index

Description	Part No.	Page
	0650588	19, 29
	0650594	19
	0650710	19
	2431154	29, 151, 151, 151
	2431A016	57
	2485A104	31
	2485A108	19
	2485A109	45
	2485A124	69
	2487207	139
	2487A451	49
	2487A452	49
	2487Y005	49
	26560614	149
	29990015	85
	3212P008	19
	3212V006	19
	32141316	19
	32186405	57
	32416117	29
	3241A011	19
	3241A012	19
	3278A004	141
	3278A006	29
	3278A007	141
PRE-FUEL FILTER ASSY	2656F823	149

Description	Part No.	Page
PRE-FUEL FILTER KIT	26550005	149
PUSHROD	3142V011	33
REGULATOR	2872A006	125
ROCKER LEVER	4115R318	31
	4115R319	31
ROCKER SHAFT ASSEMBLY	4115R613	31
ROCKER SHAFT ASSY - MINOR	4115R703	31
ROCKER SHAFT SPRING	3174A015	31
SCREW	0096803	51
	2151A001	63
	2311D039	57
	2311D060	71
	2311D559	101
	2311D560	101, 101
	2311D578	101
	2314C049	19, 103
	2314F001	19
	2314F002	49
	2314F003	65
	2314F005	67
	2314H001	129
	2314H002	41, 99, 109
	2314H003	35, 57, 83, 95, 129

Description	Part No.	Page
	2314H004	35, 61, 71, 85, 93
	2314H005	81
	2314H006	95
	2314H011	71
	2314H012	81, 85, 99
	2314H022	93
	2314H032	111
	2314H033	19, 57, 75, 107
	2314H034	73, 95
	2314H050	107
	2314J001	49
	2314J002	35, 99, 135, 135
	2314J004	129
	2314J005	55, 117
	2314J007	93
	2314J008	105
	2314J011	97
	2314J012	93
	2314J204	49
	2314J603	49
	2314J606	97
	2314K164	81
	2314K166	57
	2314W009	39
	2316A901	31
	2316A902	31

Description	Part No.	Page
	3211C004	31, 31
	32166329	19
	3218J013	113
SEAL	36843154	49
SEAL - INJECTOR	26460064	39
SEAL - O RING	2415715	57
	2415A068	67
	2415A131	63
	2415B167	101
	2415H002	141
	2415H009	141
	2415H701	67
	2418F001	83
	2418F002	83
	26420318	35
	29990016	85
SEAL - REOS HOUSING	2418F704	21
SEAL - SENSOR	2415H003	29, 145
SEAL - THERMOSTAT HOUSING	2415H219	85
SEAL - VALVE STEM	2418M517	29
	2418M519	29
SHORT ENGINE - ASSEMBLY	NK40011	17
SMALL END BUSH	3112A005	27
SOLENOID	26420469	35
SPACER	0920465	93

Parts Index

Description	Part No.	Page
SPRING	3174A017	63
STARTER MOTOR	2873K621	53
STARTER RING GEAR	31162121	51
STUD	2313C078	53, 115
	2313H236	87
	2313M101	137, 137
SUCTION PIPE	3575A061	61
SUMP	4145H131	57
SUPPORT BRACKET	3831E015	129
TAPPET	3142U061	33
THERMOSTAT ASSEMBLY	4133L509	85
THIMBLE	33142111	19
THRUST WASHER	3112X011	97
	31137312	23
	31137322	23
	31137551	23
	31137561	23
TIMING CASE	3716C571	95
	3716C573	95
TIMING GEAR COVER	4142A504	99
TUBE ASSEMBLY	3577A125	59
VALVE COLLET	2714A002	29, 29
VALVE GUIDE	3313E021	29, 29
VALVE SEAT INSERT	3314A221	29
	3314A231	29

Description	Part No.	Page
VALVE SPRING	3174A031	29, 29
WASHER	0920497	93
	2134A502	31
	2411D008	35
	2411D010	123, 123
	2411D013	127, 127, 127, 127, 147, 147
	2415D053	19, 103
	26431192	131, 149
	33117127	51
	3321A003	97
K134AF01	35	
WATER PUMP KIT	U5MW0201	81
WATER TEMPERATURE SENSOR	2848A127	43
WATER TEMPERATURE SWITCH	2848A123	43
	2848A126	145
WOODRUFF KEY	0500012	23, 33