



Service Manual

7HBW30, 7HBE30,
7HBE40, 7HBC30,
7HBC40, and 7TB50

Serial Numbers
30,001 and up



INDUSTRIAL EQUIPMENT

SERVICE MANUAL

Pallet Trucks

7HBW30	30,001 and up	7HBE30	30,001 and up
7HBE40	30,001 and up	7HBC30	30,001 and up
7HBC40	30,001 and up	7TB50	30,001 and up

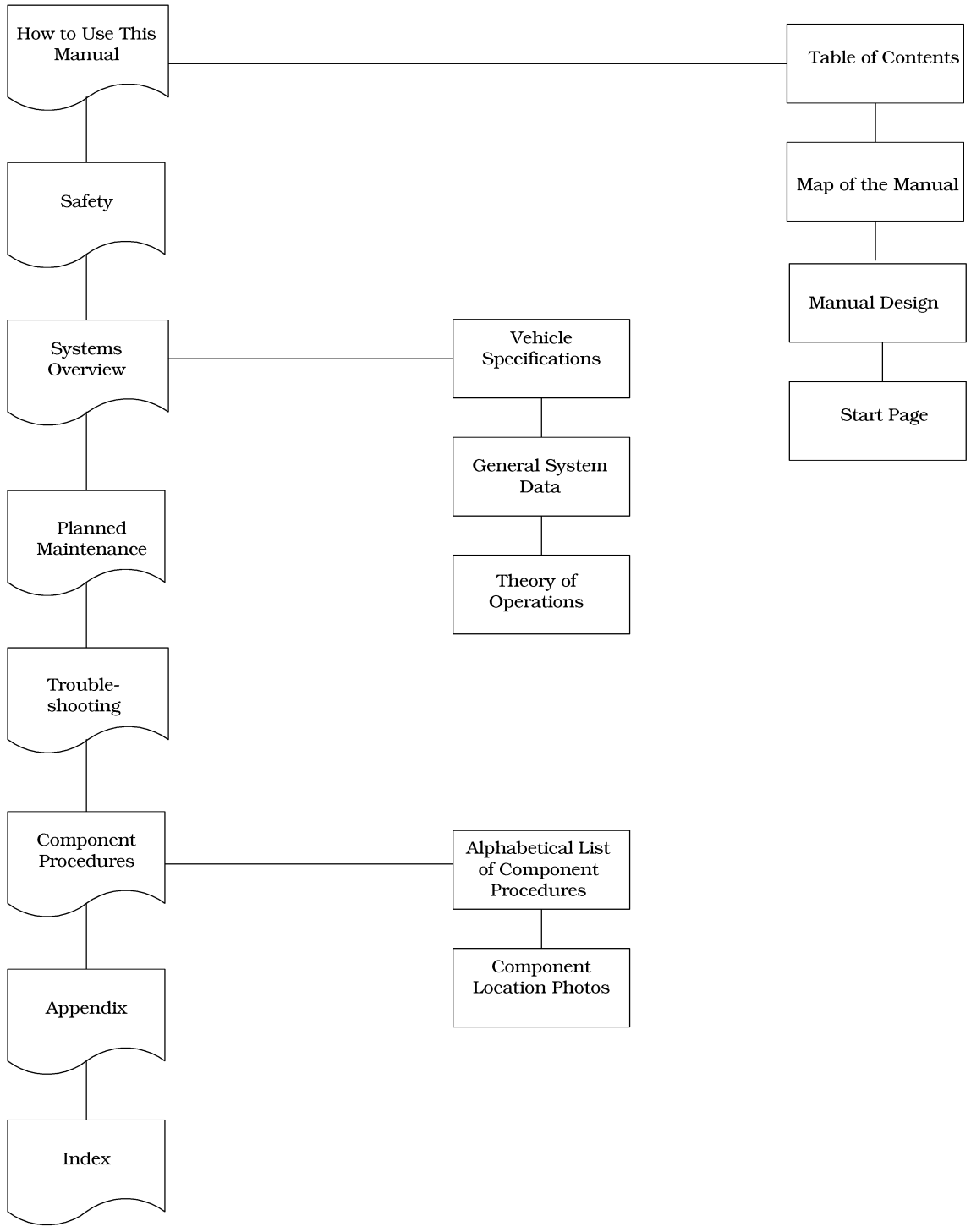
Table of Contents

How to Use This Manual	1-1
Map of the Manual	1-2
Manual Design	1-3
START Page	1-5
Safety	2-1
Definitions	2-2
General Safety	2-3
Battery Safety	2-5
Jacking Safety	2-8
Tie-down for Transport	2-9
Towing	2-10
Welding Safety	2-11
Systems Overview	3-1
Truck Model Identification	3-2
Vehicle Specifications	3-3
General System Data	3-4
Special Tools	3-6
Theory of Operation	3-7
Planned Maintenance	4-1
Introduction	4-2
Troubleshooting	5-1
How to Use This Chapter	5-2
Electrical Troubleshooting Guidelines	5-3
Hydraulic Troubleshooting Guidelines	5-5
Definitions	5-6
Electrical Connector Locator Chart	5-10
Fault Codes	5-11
Programmable Maintenance Tool	5-13
List of Troubleshooting Charts	5-19
Troubleshooting Flowcharts	5-21
Symptom Tables: Lift/Lower System	5-25
Symptom Tables: Travel	5-28
Symptom Tables: Wiring System	5-35
Component Procedures	6-1
List of Component Procedures	6-2
Component Locators	6-5
Tractor Cover	6-7
Battery	6-8
Power Cables	6-11
Wiring Harness	6-12
Fuses	6-13
Switches (General)	6-14
Key Switch	6-15
Brake Switch	6-16
Lift Cut-Out Switch	6-18
Grab Rail Switches	6-19
Hydraulic Solenoids	6-20
Manual Coast	6-21
Coast Module (DA1)	6-23
Gauges	6-25

Horn	6-27
Motor Controller	6-28
Contactors	6-30
Control Handle	6-33
Control Handle Switches	6-35
Throttle Potentiometer	6-37
Brake	6-39
Motors, General	6-42
Drive Motor	6-49
Drive Unit	6-53
Casters	6-65
Load Wheels	6-67
Load Wheels, Model 7TB50	6-68
Pallet Entry Sliders	6-69
Fork Height Adjustment	6-70
Hydraulic Components	6-73
Hydraulic Fluid	6-74
Adjusting Hydraulic Pump Relief Valve Pressure	6-76
Hydraulic Ram	6-78
Hydraulic Unit	6-84
Lift Motor	6-88
Cold Storage Conditioning	6-90
Appendix	A-1
Lubrication Equivalency Chart	A-2
Torque Chart - Standard (Ferrous)	A-3
Torque Chart - Metric	A-4
Decimal Equivalent Chart	A-5
Standard/Metric Conversions	A-7
Electrical Schematics	A-9
Index	I-1

Section 1. How to Use This Manual

Map of the Manual



Manual Design

Manual Design

The Toyota Pallet Truck Service Manual is designed with the following objectives in mind:

- Provide technical coverage for expected levels of user expertise
- Anticipate your needs and reduce your decisions regarding maintenance
- Reduce page flipping through a “one-stop shopping” approach

The two-line running page header at the top of each page tells you:

- Name of the manual
(Toyota Pallet Truck Service Manual)
- Current Chapter Title
(for example, this page *How to Use This Manual*)
- Current topic
(for example, this page *Manual Design*)

It is recommended that you go to the START page for guidance to the correct chapter.

- **How to Use This Manual** explains the manual format and design and contains the Table of Contents and START page.
- **Safety** explains warning and caution notes, general safety rules and safety rules for batteries, static, jacking, and welding.
- **Systems Overview** includes truck specifications and theory of operation information.
- **Planned Maintenance** outlines the recommended schedule of preventive services to keep your truck working most efficiently.
- **Troubleshooting** is a set of “decision-tree” charts and tables designed to take you from a symptom to a specific sequence of tests in order to isolate a failing component.
 - Chart “**TS1: START TROUBLESHOOTING**” on page 5-22 will guide you to the individual troubleshooting symptom chart you need.

- When you’re familiar with the symptoms listed, you may instead simply find the symptom chart. See “**List of Troubleshooting Charts**” on page 5-19.
- When you complete a troubleshooting procedure, be sure to follow the steps in chart “**END1: End of Troubleshooting Procedure**” on page 5-24.
- **Component Procedures** gives step-by-step procedures for testing, removal, installation, and adjustment of individual truck components. Components are listed in an order which considers:
 - Frequency of attention
 - Physical attachment (for example, brake must be removed before drive motor)
 - Functional relation (for example, drive motor and drive unit components are grouped together)

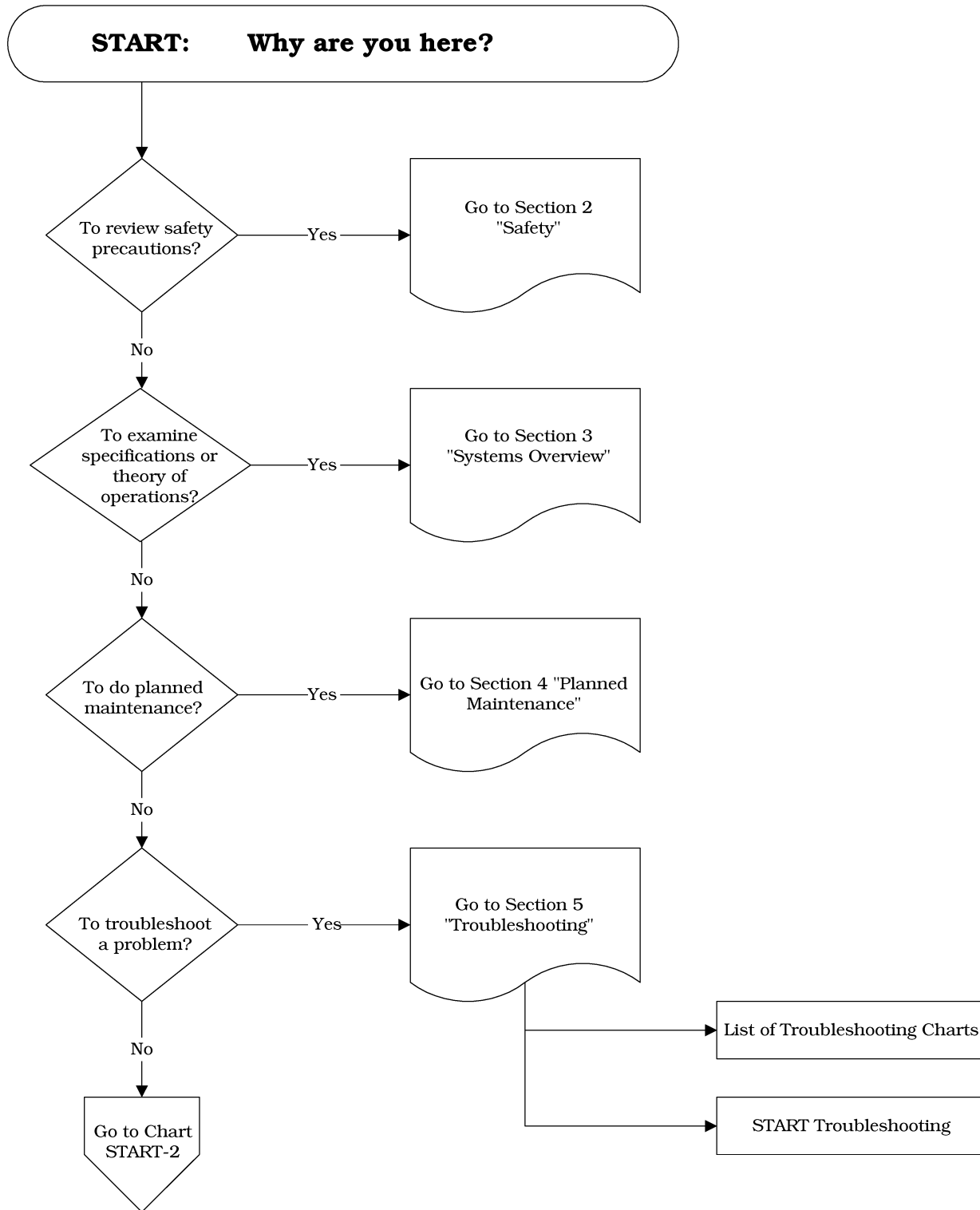
To find a component procedure, you may use one of three methods:

- Look up the component name in the “**List of Component Procedures**” on page 6-2.
- Find the component in the “**Component Locators**” on page 6-5.
- Look up the component name in the maintenance manual Index.
- **Appendix** contains reference information such as torque values, lubricants and schematics.
- **Index** lists subjects alphabetically.

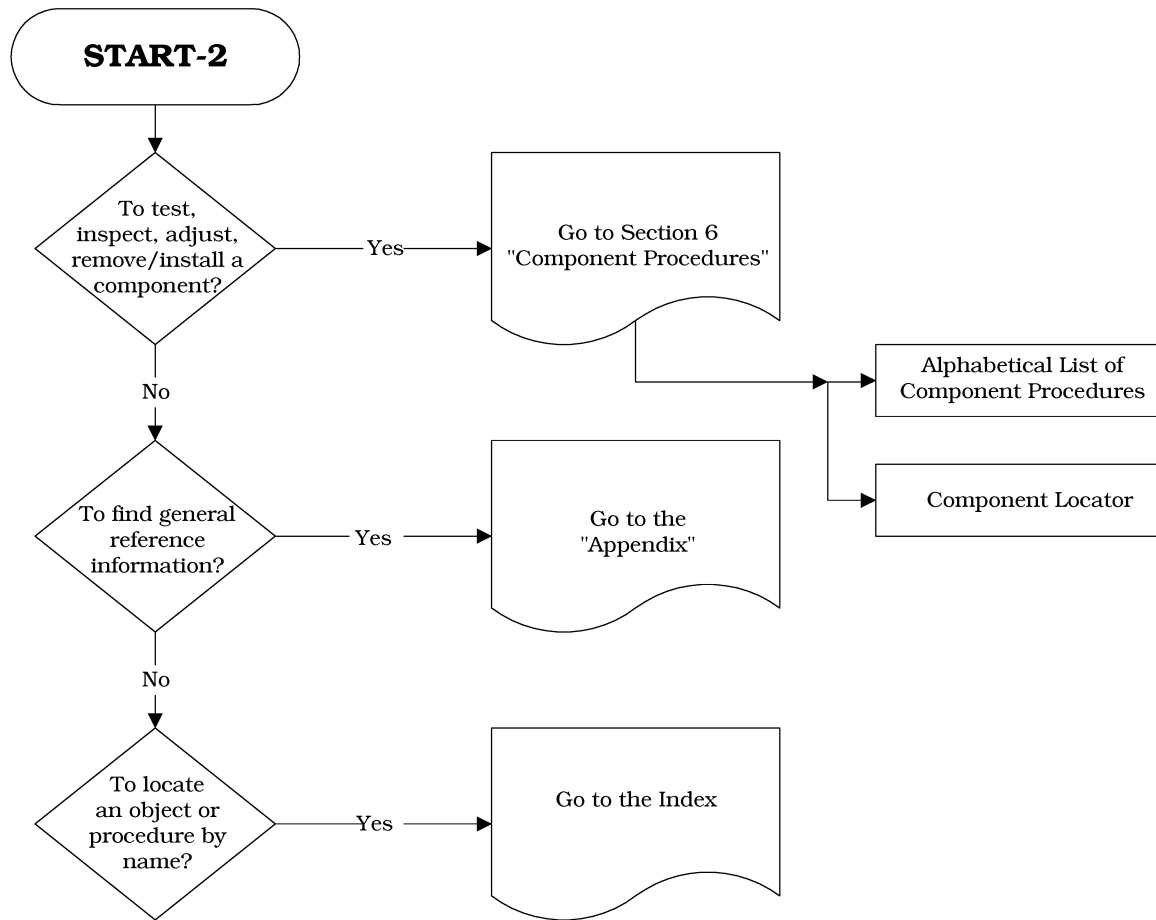
This page intentionally left blank.

START Page

START Page



START Page



This page intentionally left blank.

Section 2. Safety

Definitions

Throughout this manual, you will see two kinds of safety reminders:

WARNING

Warning means a potentially hazardous situation exists that, if not avoided, could result in death or serious injury.

CAUTION

Caution means a potentially hazardous situation exists that, if not avoided, could result in minor or moderate injury or in damage to the truck or nearby objects.

General Safety

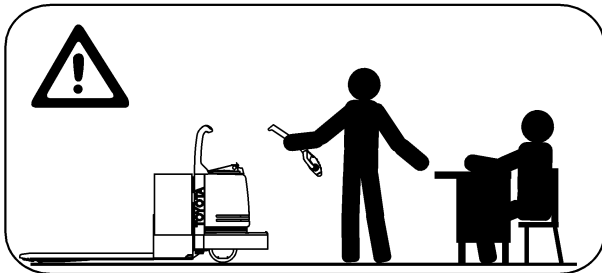
General Safety

Do *not* operate or work on this truck unless you are trained, qualified and authorized to do so.



Know the truck's controls and what they do.

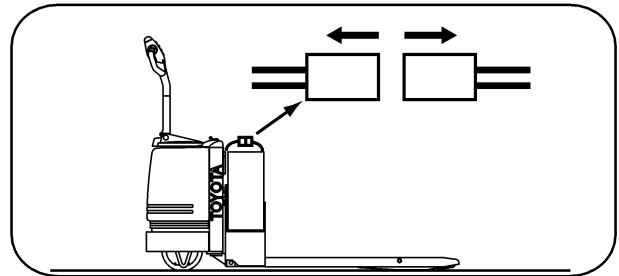
Do *not* operate this truck if it needs repair or if it is in any way unsafe.



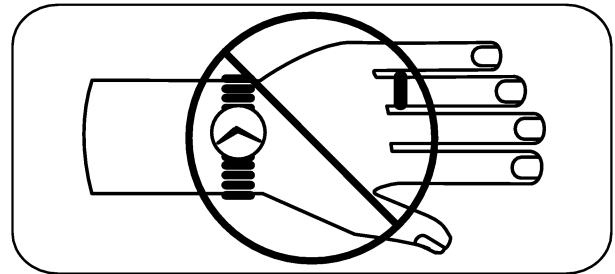
Operate this truck only from the operator's position.



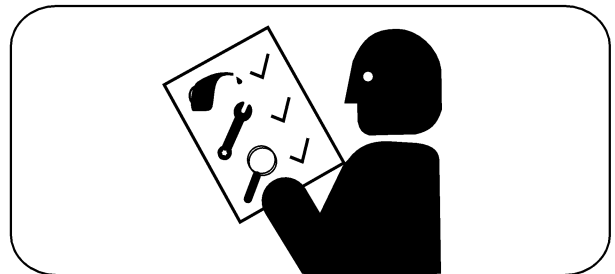
Before working on this truck, always turn the key switch to OFF and disconnect the truck's battery connector (unless this manual tells you otherwise).



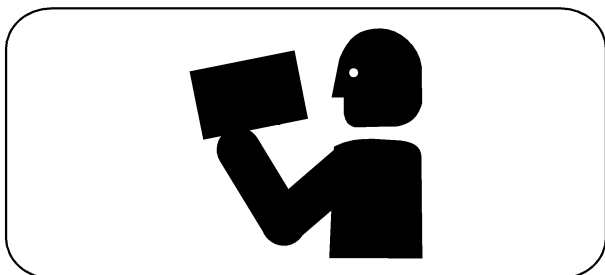
Do *not* wear watches, rings, or jewelry when working on this truck.



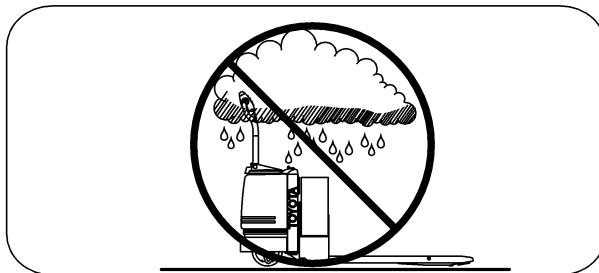
Follow the scheduled lubrication, maintenance and inspection steps.



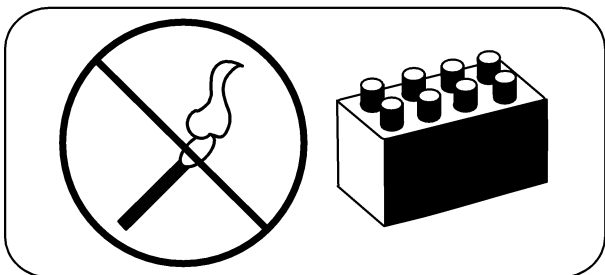
Follow exactly the safety and repair instructions in this manual. Do *not* take “shortcuts.”



Always park this truck indoors.



Do *not* use an open flame near the truck.



Do *not* wash this truck with a hose.

Do *not* add to or modify this truck until you contact your local Toyota Dealer to receive written manufacturer approval.

Do *not* use gasoline or other flammable liquids for cleaning parts.

Clean up any hydraulic fluid, oil or grease that has leaked or spilled on the floor.



Battery Safety

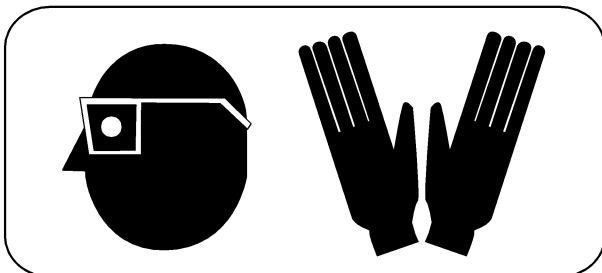
Battery Safety**⚠ WARNING**

As a battery is being charged, an explosive gas mixture forms within and around each cell. If the area is not properly ventilated, this explosive gas can remain in or around the battery for several hours after charging. Be sure there are no open flames or sparks in the charging area. An open flame or spark can ignite this gas, resulting in serious damage or injury.

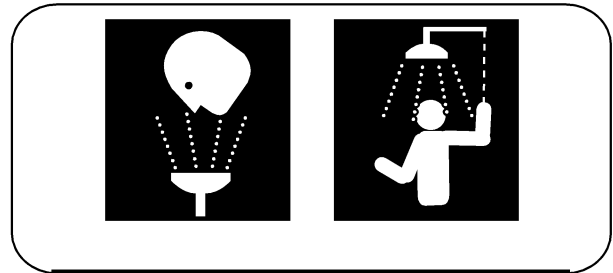
⚠ WARNING

Battery electrolyte is a solution of sulfuric acid and water. Battery acid causes burns. If any electrolyte comes in contact with your clothing or skin, flush the area immediately with cold water. If the solution gets on your face or in your eyes, flush the area with cold water and get medical help immediately.

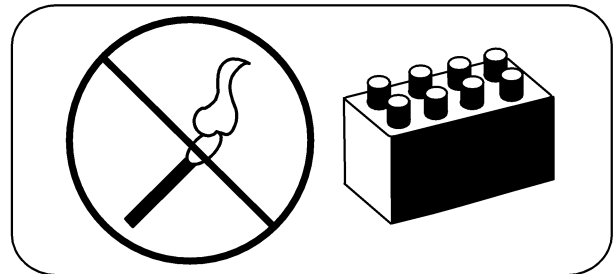
Wear personal protective equipment to protect eyes, face and skin when checking, handling or filling batteries. This equipment includes goggles or face shield, rubber gloves (with or without arm shields) and a rubber apron.



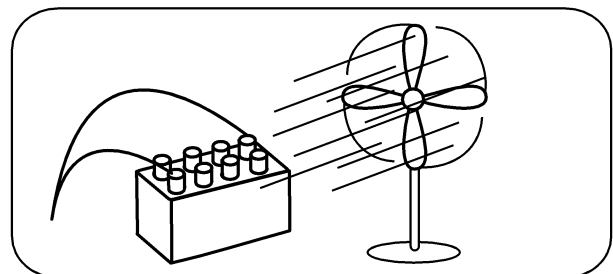
Make sure a shower and eyewash station are nearby in case there is an accident.



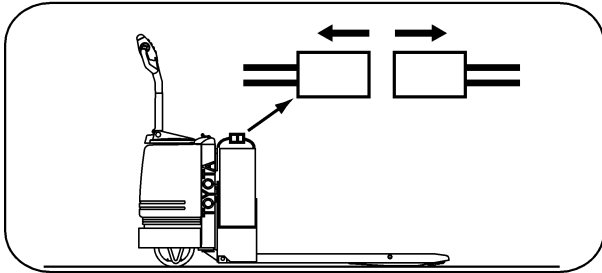
A battery gives off explosive gases. *Never* smoke, use an open flame, or use anything that gives off sparks near a battery.



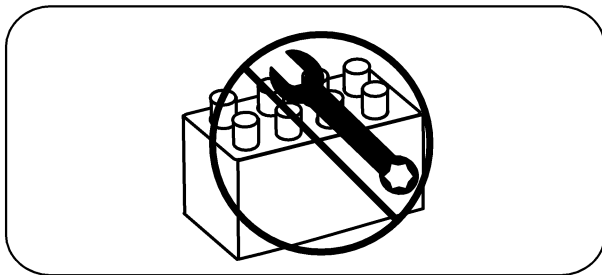
Keep the charging area well-ventilated to avoid hydrogen gas concentration.



Turn the key switch OFF *before* disconnecting the battery from the truck at the battery connector. Do *not* break live circuits at the battery terminals. A spark often occurs at the point where a live circuit is broken.

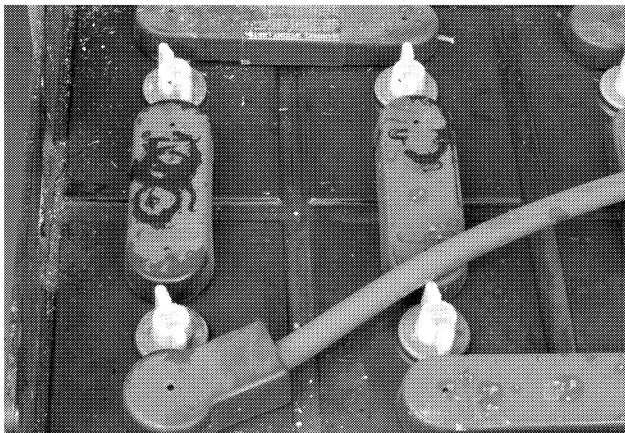


Do *not* lay tools or metal objects on top of the battery. A short circuit or explosion could result.



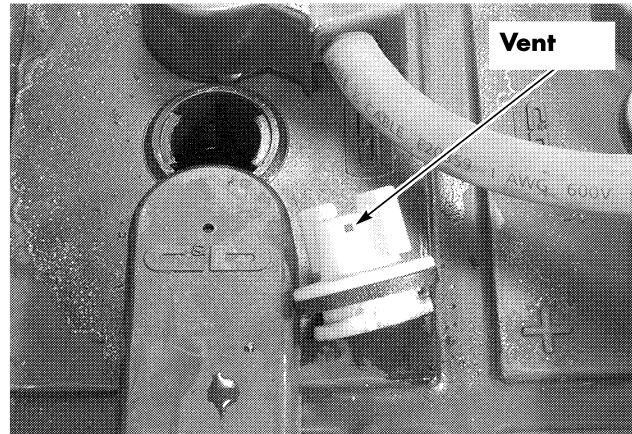
Keep batteries clean. Corrosion causes shorts to the frame and possibly sparks.

Keep plugs, terminals, cables and receptacles in good condition to avoid shorts and sparks.



Keep filler plugs firmly in place at all times *except* when the electrolyte level is checked, when water is added to the cells, or when the specific gravity is checked.

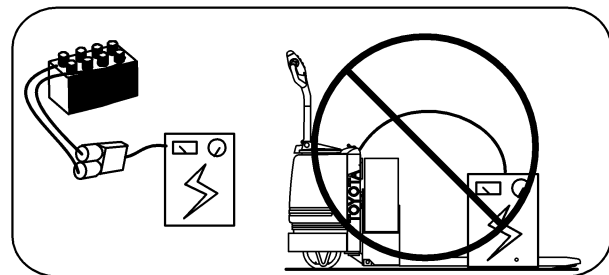
Make sure the vent holes in the filler plugs are open to permit the gas to escape from the cells.



Do *not* permit cleaning solution, dirt or any foreign matter to enter the cells.

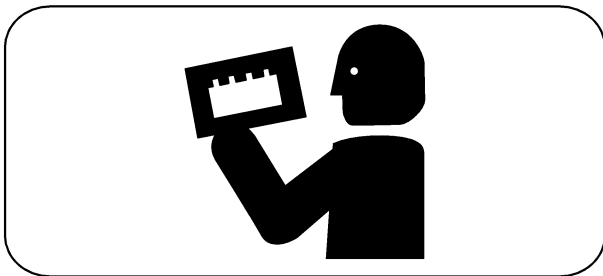
Make sure you install the correct size battery. A smaller or lighter weight battery could seriously effect truck stability. See the truck's specification plate for more information.

Never plug a battery charger into the truck's battery connector. Plug the battery charger only into the battery connector from the battery.



Battery Safety

Follow the charging procedures in the Battery Instruction Manual and in the Battery Charger Instruction Manual.



Jacking Safety

You may need to jack up the truck off the floor to perform maintenance procedures. When doing so, observe the correct safety precautions:

1. Lower the forks completely. Remove any load.
2. Place all controls in neutral.
3. Block the wheels to prevent movement of the vehicle.
4. Disconnect the battery connector.
5. Place the jack under the designated jacking points. See Figure 2-2.

WARNING

Use extreme care when the truck is jacked up. Keep hands and feet clear from vehicle while jacking the truck. After the truck is jacked, place solid blocks beneath it to support it. DO NOT rely on the jack alone to support the truck.

Fork Section

6. Using the lift button, raise the forks to maximum height.
7. Block the fork section as shown in Figure 2-1. The tractor section will remain on the floor.

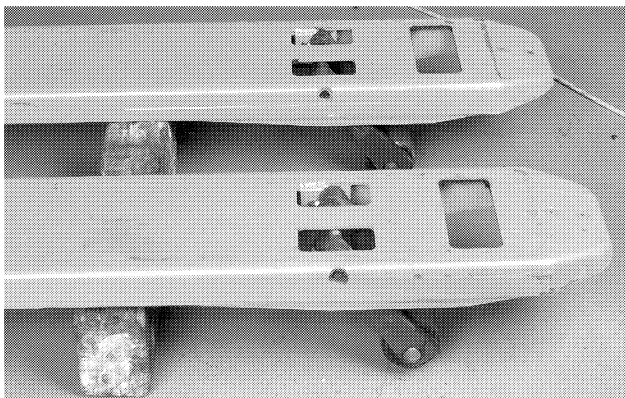


Figure 2-1. Blocking the Fork Section

8. Lower the forks on the blocks.
9. Turn the key switch OFF and disconnect the battery connector.

Tractor

10. Place the jack in the designated jacking position. See Figure 2-2.



Figure 2-2. Jacking Tractor Section

11. Jack one side of the truck so that the drive tire is off the floor no more than 1 in. (25.4 mm).
12. Block that side of the truck in place.
13. Jack up the other side of the truck level with the first side.
14. Block that side of the truck in place.

NOTE: After working on a vehicle, test all controls and functions to assure correct operation.

Tie-down for Transport

Tie-down for Transport

To transport your Toyota pallet truck in an over-the-road vehicle or rail car, follow these steps:

1. Lower the forks and locate the truck in the center of the transport vehicle.
2. Using suitable lifting device, remove the battery. See "Battery" on page 6-8.
3. Position the adjustable chain over and through the battery compartment.
4. Position an additional adjustable chain over and through the battery compartment.
5. Position the chain ends of one chain toward the front of the vehicle bed and the chain ends of the other chain to the rear of the vehicle bed and draw taut.

NOTE: This will secure the truck to the vehicle bed and prevent tip-over and forward or backward movement.

6. Secure the battery according to the battery manufacturer's instructions. If equipped, remove the battery cover or storage tray from the top of the battery and store separately.

Towing

To safely tow a Toyota pallet truck:

1. Lower the forks and remove any load.
2. Turn the key switch OFF and disconnect the battery connector.
3. Using a suitable towing vehicle, lift the tractor end of the pallet truck until the drive tire is no more than 1 in. (25.4 mm) off the floor.
4. Tow the truck slowly in the tractor-first direction.

Welding Safety

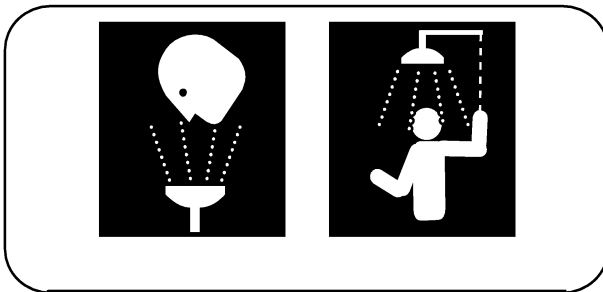
Welding Safety**⚠ WARNING**

Flame cutting or welding on painted surfaces may produce potentially harmful fumes, smoke and vapors. Before performing flame cutting or welding operations, remove the coating in the vicinity where the operation(s) will be performed. Coating removal may be by mechanical methods, chemical methods or a combination of methods. Flame cutting and/or welding operations must be carried out only in well ventilated areas using local exhaust if necessary.

- No welding operations are performed near electrical components
- If welding must be done near the battery compartment, the battery is removed from the truck
- When you are finished welding, perform all ground tests and electrical inspections before the vehicle is operated.

Before working on this truck, make sure that:

- Fire protection equipment is nearby
- You know the location of the nearest eyewash station

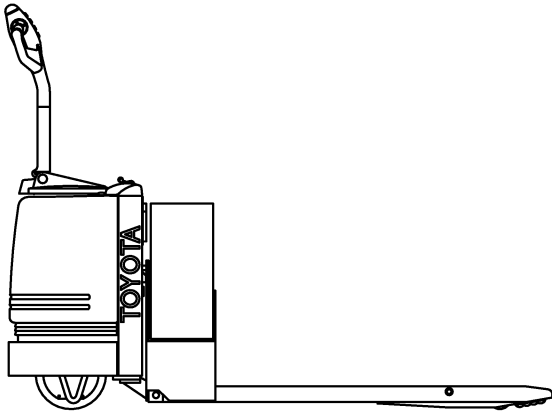


- The key switch is turned OFF and the battery is disconnected before you attempt to inspect, service or repair the lift truck. Discharge residual charge in the motor controller by pressing the horn button.
- Check for shorts to frame as described on Page 5-3. If any shorts are detected, remove them before you proceed with the welding operation.
- The area to be welded is clean
- All truck components are protected from heat, weld spatter and debris
- The ground cable is attached as close to the weld area as possible

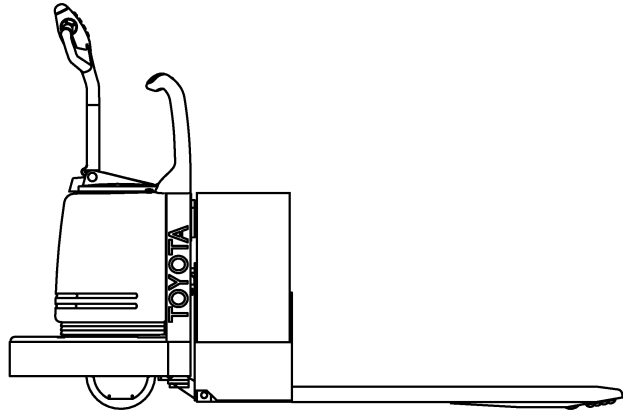
This page intentionally left blank.

Section 3. Systems Overview

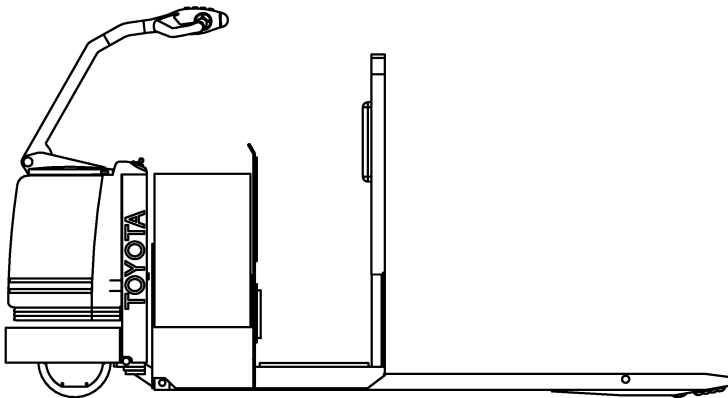
Truck Model Identification



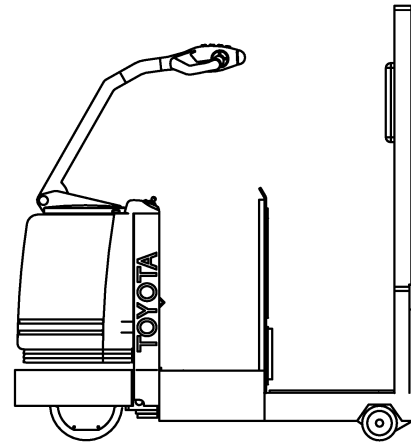
Model 7HBW30 Low-Lift Pallet Truck



Model Model 7HBE30 and Model 7HBE40 End Rider



Model 7HBC30 and Model 7HBC40 Center Rider



Model 7TB50 Tow Tractor

Vehicle Specifications

Vehicle Specifications

Category	7HBW30	7HBE30/40	7HBC30/40	7TB50
Max. Load Capacity	6,000 lb (2,724 kg)	6,000 lb (2,724 kg)*	6,000 lb (2,724 kg)**	N/A
Normal Rated Drawbar Pull	N/A			200 lb (91 kg)
Max. Drawbar Pull***	N/A			700 lb (318 kg)
Upright Height	58 in. (147.3 cm)		50.75 in. (128.9 cm)	
Overall Length	up to 92.15 in. (234.1 cm)	up to 145.85 in. (370.5 cm)†	up to 157.6 in. (400.3 cm)	53.11 in. (134.9 cm)
Overall Width	32.5 in. (82.6 cm)	36 in. (91.4 cm)	32.5 in. (82.6 cm)	
Max. Lift Height	9.25 in. (23.5 cm)			N/A
Coast Travel Speed	N/A	3.5 mph (5.6 kph) Max.		
Regular Speed	3.9 mph (6.3 kph)	6.0 mph (9.6 kph) Max.		
Rabbit Speed	N/A	8.8 mph (14.2 kph) Max.		
Stopping Distance	6 ft. (1.83 m)			
Battery Compartment Width	9.19 in. (23.3 cm)	13.44 in. (34.1 cm)		
Battery Voltage	24V			
Min. Battery Weight	490 lb (222 kg)	490 lb (222 kg)		965 lb (438 kg)
Max. Battery Weight	1056 lb (479 kg)	1500 lb (681 kg)		
Truck Weight Without Battery	1058 lb†† (480 kg)	1234 lb†† (560 kg)	1320 lb†† (599 kg)	1190 lb (540 kg)
<p>* Model 7HBE40 has 8000 lb (3632 kg) capacity. ** Model 7HBC40 has 8000 lb (3632 kg) capacity. *** when equipped with rubber drive tire † with 8000 lb (3632 kg) trucks, overall length is up to 186.85 in. (474.6 cm) †† Weight with 48 in. forks.</p>				

⚠ WARNING

The total weight of the load must include the pallet, the container or the device holding the load, and the operator (on rider models).

General System Data

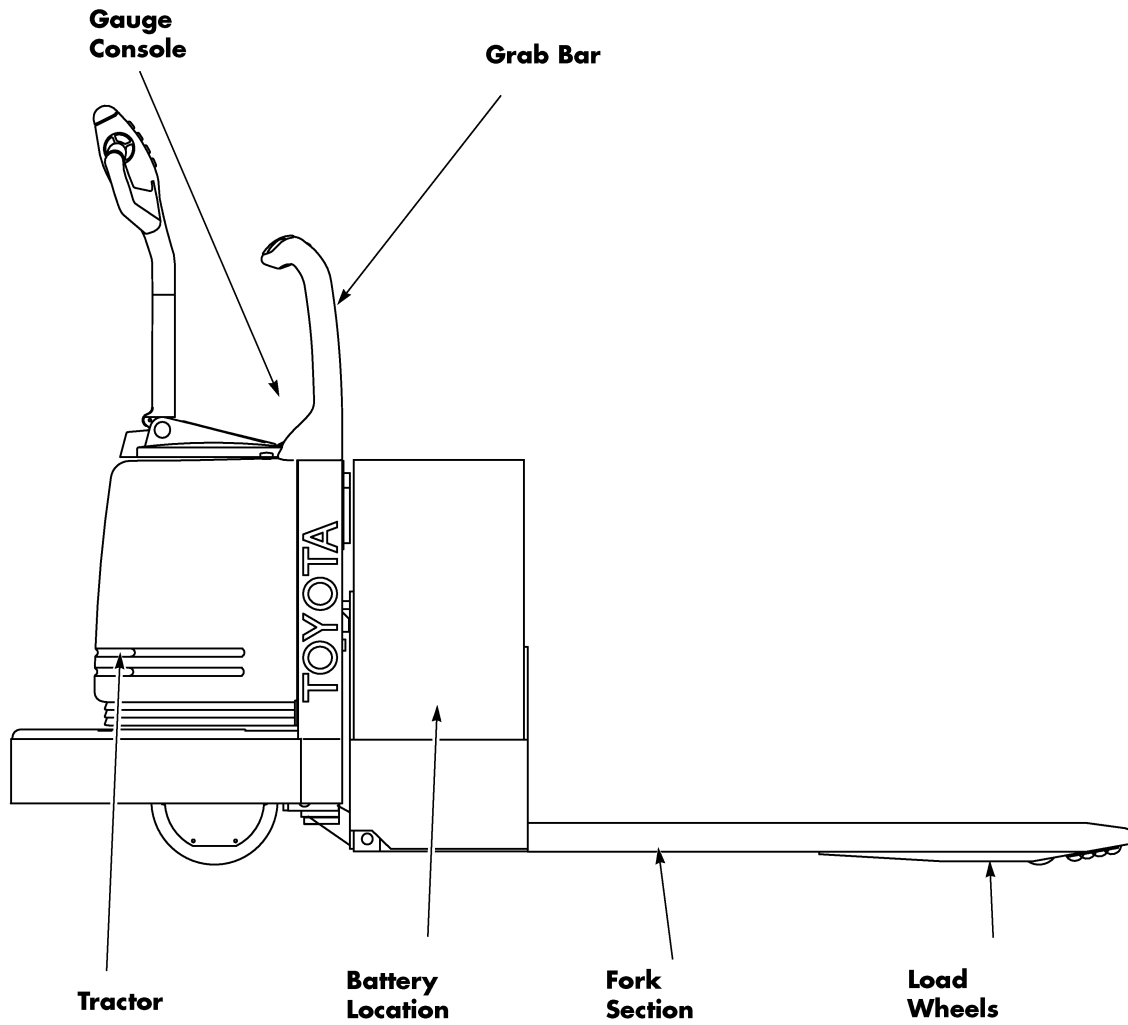


Figure 3-1. Model 7HBE30

General System Data

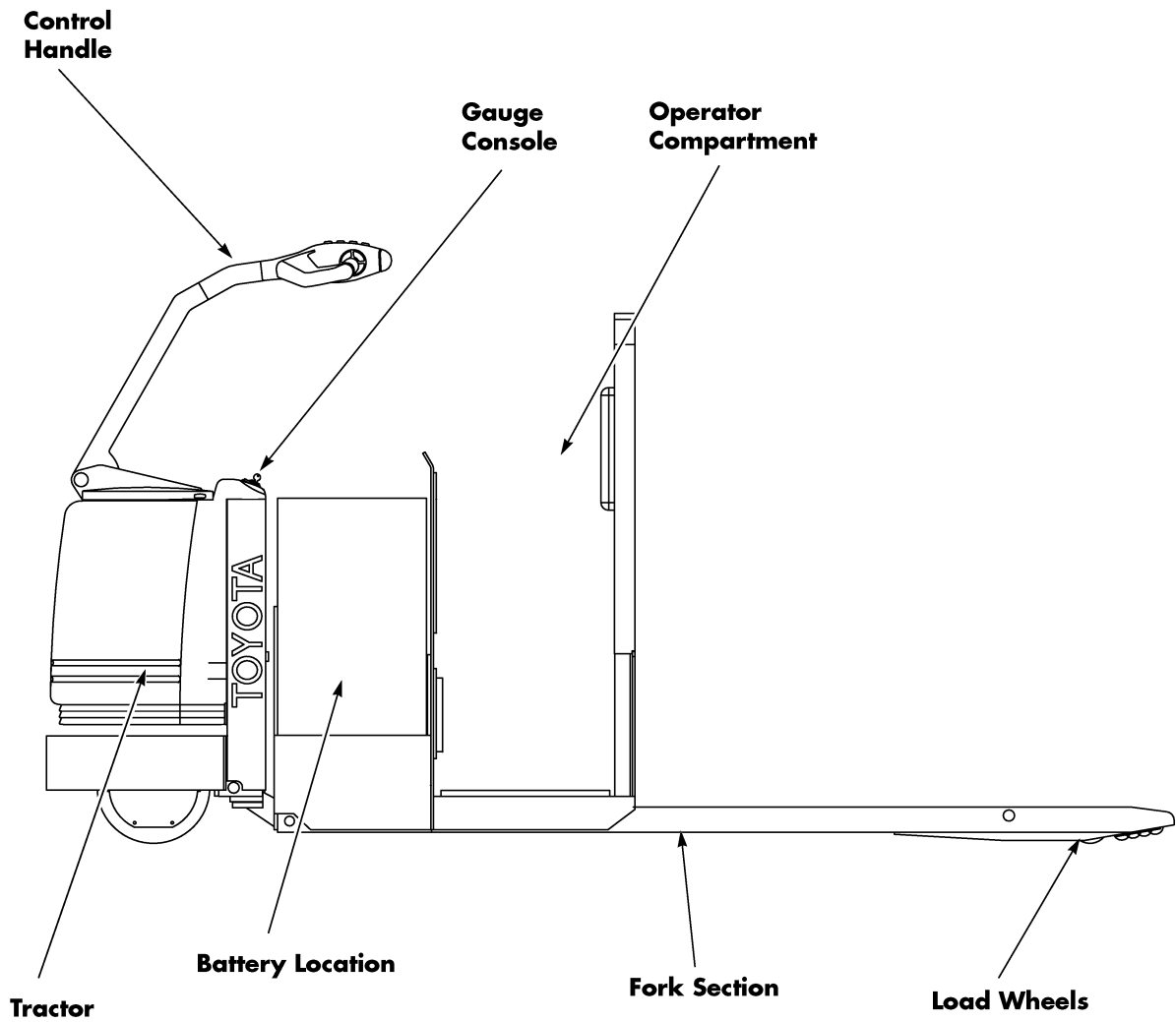


Figure 3-2. Model 7HBC30

Special Tools

Programmable Maintenance Tool

The optional Programmable Maintenance Tool (P/N 00590-49981-71) permits you to test, diagnose, and program the motor controller in this pallet truck.

The Programmable Maintenance Tool (PMT) is powered by the host controller through the four-pin connector at the bottom of the controller. See Figure 3-3.



Figure 3-3. Programmable Maintenance Tool

Theory of Operation

Theory of Operation

Lift/Lower

The lift/lower system consists of an electrically operated hydraulic pump and related components.

The hydraulic pump assembly consists of a positive displacement rotary gear pump with reservoir mounted to an adapter. A DC electric motor is mounted to the opposite side of the pump adapter. An adjustable relief valve, check valve, and a solenoid operated release valve are located within the adapter.

With the forks elevated, the normally-closed solenoid valve and the check valve prevent hydraulic fluid from returning to the reservoir.

Lift

When the battery is plugged in, the key switch (SW1) is ON and the lift button is pressed:

- The lift switch closes
- The lift pump contactor closes, causing the lift pump to operate
 - Hydraulic fluid is drawn through the screen in the reservoir into the lift pump and is forced into the lift cylinders.
 - As the pump rotates, oil is forced out the pressure port through the lift hose to the lift cylinders. Oil cannot return to the reservoir because of the closed pressure relief valve and closed lowering solenoid valve.
 - Hydraulic pressure in the lift cylinders raises the forks. Lift cutout switch will interrupt power to the lift motor when the forks reach a preset lift limit.

When the lift switch is open:

- The pump contactor coil is de-energized, stopping the lift motor and pump. The forks are held in position by hydraulic fluid trapped in the lift cylinders by the check valve (static position of the relief valve) and the closed lowering solenoid.

The relief valve will open if the hydraulic pressure exceeds the preset limit.

Lower

When the battery is plugged in, the key switch is ON and the lower button is pressed:

- The lower switch is closed
- The lowering solenoid opens
- Hydraulic fluid in the lift cylinders returns to the hydraulic reservoir through the lowering valve and the flow control valve
- The forks lower

Directional/Speed Control

The directional/speed control descriptions assume the battery is charged and connected and the key switch is ON.

The control handle must be in the correct position to close the brake switch (SW2) and release the brake. See "Brake Switch" on page 6-16. When the brake switch is closed, the main contactor (M1) is energized.

NOTE: When the control handle is released and the brake switch opened, the main contactor (M1) will remain energized for several seconds before de-energizing.

Forward

When the directional/speed control is rotated in the forward direction from neutral:

- The forward directional switch (SW3) is closed and B+ is applied to PMC-10 of the motor controller
- Resistance across the throttle potentiometer (VR-4 to VR-2) increases from zero ohms to a maximum of 6,500 ohms. Throttle input voltage is then generated at PMC-16 with respect to (wrt) PMC-14. As throttle input voltage rises above the neutral band threshold, the motor controller begins to provide current flow through the drive motor armature at M-. It also provides current flow through the field windings in the correct polarity at F1 and F2.

- The drive wheel begins to rotate in a forward direction at a speed proportionate to throttle input.

Reverse

When the directional/speed control is rotated in the reverse direction from neutral:

- The reverse directional switch (SW4) is closed and B+ voltage is applied to PMC-11 of the motor controller
- Resistance across the throttle potentiometer (VR-4 to VR-2) increases from zero ohms to a maximum of 6,500 ohms. Throttle input voltage is then generated at PMC-16 wrt PMC-14. As throttle input voltage rises above the neutral band threshold, the motor controller begins to provide current flow through the drive motor armature at M-. It also provides current flow through the field windings in the correct polarity (F1 and F2).
- The drive wheel begins to rotate in a reverse direction at a speed proportionate to the throttle input.

Emergency Reverse

(Models 7HBW30 and 7HBE30 or 7HBE40)

When the emergency reverse switch (belly button switch SW7) is closed with the control handle lowered in travel mode (SW2 closed), the control system responds in various ways, depending upon how the truck was operating when SW7 closed.

- *Truck traveling in tractor-first direction:* full braking torque is applied to the drive motor and then accelerates in the forks-first direction.
- *Truck stopped or traveling in forks-first direction:* full accelerating torque for forks-first direction is applied to the drive motor.

Travel in forks-first direction will continue until the emergency reverse switch (SW7) is released. When the emergency reverse mode is activated, the motor controller ceases to respond to the normal travel command from the directional/

speed control. To reset the truck for normal travel, return the directional/speed control to the neutral position.

Strip Curtain Bypass

(Models 7HBE30/40 only)

When the truck is traveling tractor first and the horn button on the grab rail is pressed, the emergency reverse switch is disabled until the horn button is released.

Manual Coast Mode (Optional)

The manual coast system for Models 7HBE30/40 and Model 7HBW30 uses a spring-applied, cam-type, manually-actuated retainer to keep the control handle in the travel (brake released) position.

To engage manual coast, the control handle is lowered into the operating range (and the coast control lever is placed in coast position). Manual coast is disengaged by reversing the above process.

The coast system for Models 7HBC30/40 and 7TB50 with a fixed-position control handle uses the standard manually-actuated brake lever design to keep the truck in the travel (brake-released) position during coast operation.

Depressing either jog switch (with the truck in coast position) generates a signal to the speed control module (DA1). This generates a speed reference (pot wiper) input to the motor controller. This input, in conjunction with the status of the two mode select inputs (both are low, mode M1), creates a fixed PWM (40%) to the traction motor armature circuit. This limits the fixed speed to 3.5 mph (5.6 km/h).

Even with the manual coast lever in the no coast position the maximum speed is limited to 3.5 mph (5.6 km/h) as the motor controller is restricted to speed mode M1. Top (rabbit) speed in both directions is selected by pressing and releasing the rabbit button while forward or reverse travel is requested through the twist grip. This shifts the motor controller from speed mode M1 to mode M2 (forks first) or mode M4 (tractor first). The rabbit command is "latched"

Theory of Operation

until the twist grip is returned to neutral or the brake switch is opened.

Motor Controller

The basic functions of the motor controller include:

- *Direction Control* section: controls the drive motor direction by manipulating the drive motor field polarity according to the directional switch inputs (SW3, SW4).
- *Throttle Control* section: controls the drive motor speed and torque by monitoring relative position change of the wiper in the throttle potentiometer with respect to the static neutral position. Infinitely variable motor speed is accomplished by separate control of field and armature current.
- *Emergency Reverse* circuitry: controls the override of the directional travel control.
- *Main Contactor (M1)* control.
- *Diagnostics* section: continuously monitors the travel circuits for fault conditions and responds appropriately, shutting down travel in some cases.

This page intentionally left blank.

Section 4. Planned Maintenance

Introduction

Maintenance Guidelines

A regularly planned maintenance program will ensure:

- Maximum truck performance
- Maximum truck life
- Reduction of costly down time
- Avoidance of unnecessary repairs

Planned maintenance includes:

- Cleaning
- Inspection
- Lubrication
- Service

Perform all of the scheduled checks and maintenance during the suggested intervals. The intervals given in this guide are based on normal operating conditions. When operating under abnormal or severe conditions, perform these services more often as required to keep the unit in good operating condition.

Refer to the Appendix for lubrication equivalents. Refer to the manufacturer's supplements for components not listed on the following pages.

General Truck Operation

- Operate all functions of the truck and check for any abnormal operation.
- Talk to the driver to see if any problems were noticed.
- Check to see that all the safety and operational decals are in place and legible.
- List repairs required.

Introduction

Perform Daily or Every Eight (8) Operating Hours

Item	Daily or Eight-Hour Checklist
Battery	Check cleanliness and exterior condition. See "Battery Exterior Cleaning" on page 6-9. Check the charge. Check the weight. Make sure there are solid electrical connections and no damage. Check the connector. Make sure all powered functions are shut down when disconnected. Make sure battery is properly installed. Check the battery gates (if so equipped) for bending or cracks. Replace if necessary. Check the "free play" of the battery. Make sure the battery does not move more than 1/2 in. (13mm).
Brake	Check that the control handle returns to the vertical position when released. Check for satisfactory brake operation. Check that travel is cut out and the brake is applied when the control handle is within 10° of the fully raised or lowered position.
Forks	Inspect for damage, bending, cracking, or signs of unauthorized modification. Check for minimum thickness.
Hydraulic System	Check hydraulic connections and hoses for leaks.
Lift Items	Inspect lift cylinders for damage or leaks. Check lift cylinder yokes and lift stop bolts.
Switches	Check that each switch controls the assigned function. Check for intermittent switch operation.
Wheels	Inspect the condition of the drive wheel and load wheels. Remove any steel chips and foreign material to prevent damage to the wheels. Check for gouging and chunking of the surface.
General Operation	Check that the horn sounds when you press the horn button. (Battery must be connected.) Check the speed and directional controls. Check the hour meter (optional). It must operate when the key is turned ON and the handle is in the operating position. Check the steering operation. Check the lift/lower functions. Check all other components and hardware, inspecting for looseness as necessary. Check the operation of the emergency reverse button.
NOTE: List repairs and report any damage to the supervisor or maintenance personnel.	

**Thank you very much
for your reading.**

Please Click Here

**Then Get More
Information.**