

# Service Manual Trucks

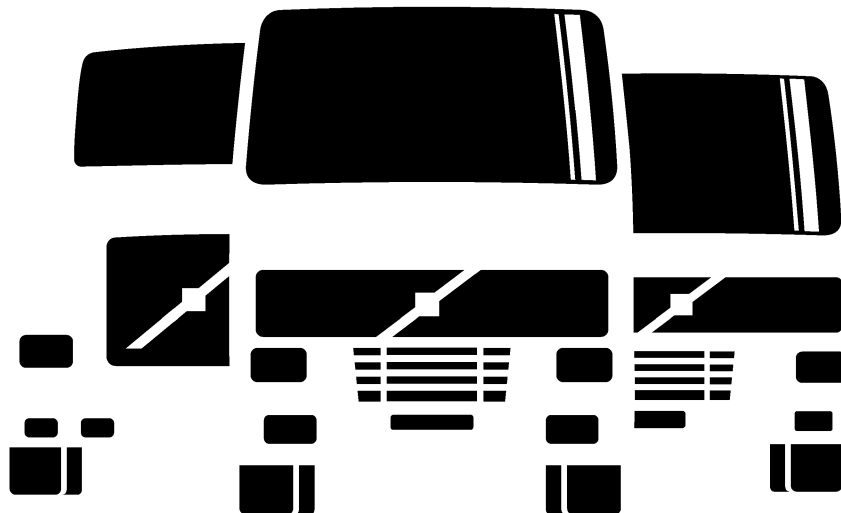
Group **37**

Release **03**

Wiring diagram

**FL6**

CHID B 265000-



# Foreword

The descriptions and service procedures contained in this manual are based on designs and methods studies carried out up to November 2003.

The products are under continuous development. Vehicles and components produced after the above date may therefore have different specifications and repair methods. When this is judged to have a significant bearing on this manual, supplementary service bulletins will be issued to cover the changes.

The new edition of this manual will update the changes.

In service procedures where the title incorporates an operation number, this is a reference to V.S.T. (Volvo Standard Times).

Service procedures which do not include an operation number in the title are for general information and no reference is made to V.S.T.

The following levels of observations, cautions and warnings are used in this Service Documentation:

**Note:** Indicates a procedure, practice, or condition that must be followed in order to have the vehicle or component function in the manner intended.

**Caution:** Indicates an unsafe practice where damage to the product could occur.

**Warning:** Indicates an unsafe practice where personal injury or severe damage to the product could occur.

**Danger:** Indicates an unsafe practice where serious personal injury or death could occur.

## Volvo Truck Corporation

Göteborg, Sweden

**Order number: TSP197357**

**Repl: Service Manual Group 37 TSP149561, Service Bulletin Group 371–127 TSP173228**

© 2003 Volvo Truck Corporation, Göteborg, Sweden

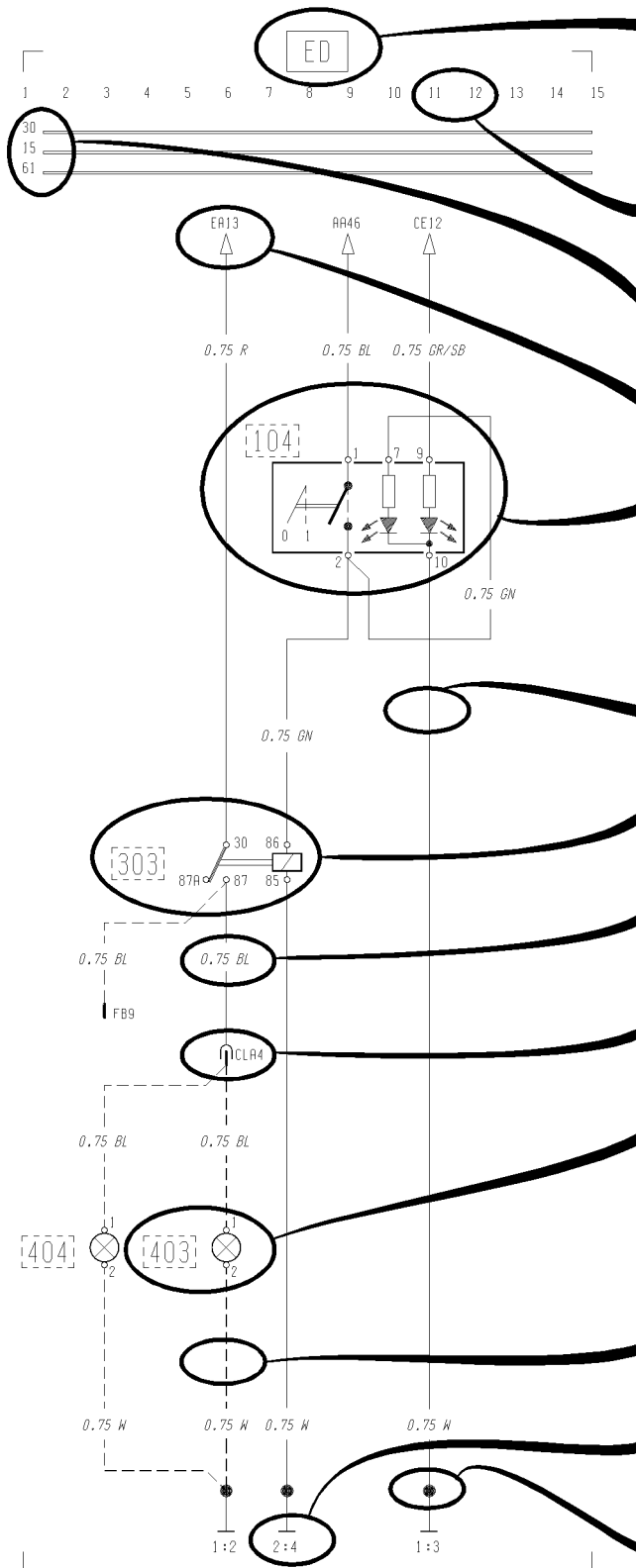
All rights reserved. No part of this publication may be reproduced, stored in retrieval system, or transmitted in any forms by any means, electronic, mechanical, photocopying, recording or otherwise, without the prior written permission of Volvo Truck Corporation.

ENG14423

# Contents

Example of wiring diagram .....	2
Examples of symbols on wiring diagram .....	3
Component wiring diagram index .....	5
Component wiring diagrams .....	7
Illustrations index LHD .....	62
Illustrations LHD .....	63
Illustrations index RHD .....	102
Illustrations RHD .....	103
Circuit card electrical centre .....	118
Fuses on circuit card electrical centre .....	119
Extra fuse holders .....	120
Relays on circuit card electrical centre .....	121
Extra relays .....	122
Cable harness .....	123
List of connectors .....	128
List of components .....	134
Abbreviations .....	139
Cable colour code .....	140
Feedback	

# Example of wiring diagram



Refer to the list of contents for the designation of the circuit diagram. If the circuit diagram designation is boxed in with broken lines this means that the circuit diagram is not standard on all market or vehicle models.

Seek column.

30 Voltage battery, kl.30.  
 15 Voltage with starting key in drive position, kl.15.  
 61 Voltage when alternator charges, kl.61.

Reference arrow (for circuit diagram EA, seek column 13).

Switch, comp. no. (104).

Single lines, cables.

Relay, comp. no. (303).

Cable area and colour (0.75 mm<sup>2</sup> blue).

Connector (CLA terminal 4).

Bulb, comp. no. (403)  
 A broken line box round the component number shows that the component is not standard on all markets or vehicle models.

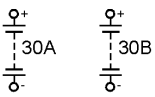








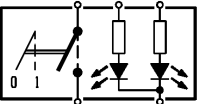
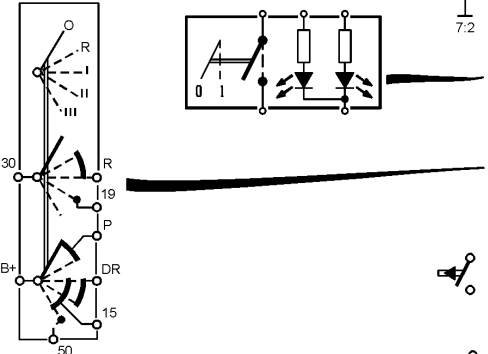


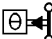
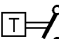

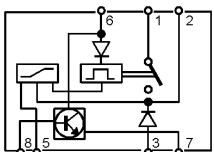
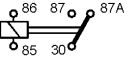
If the line is broken this means the cable is not standard on all markets or vehicle model.

Earth connection point no: 2. and earth terminal no: 4. (see diagram Earth Connections).

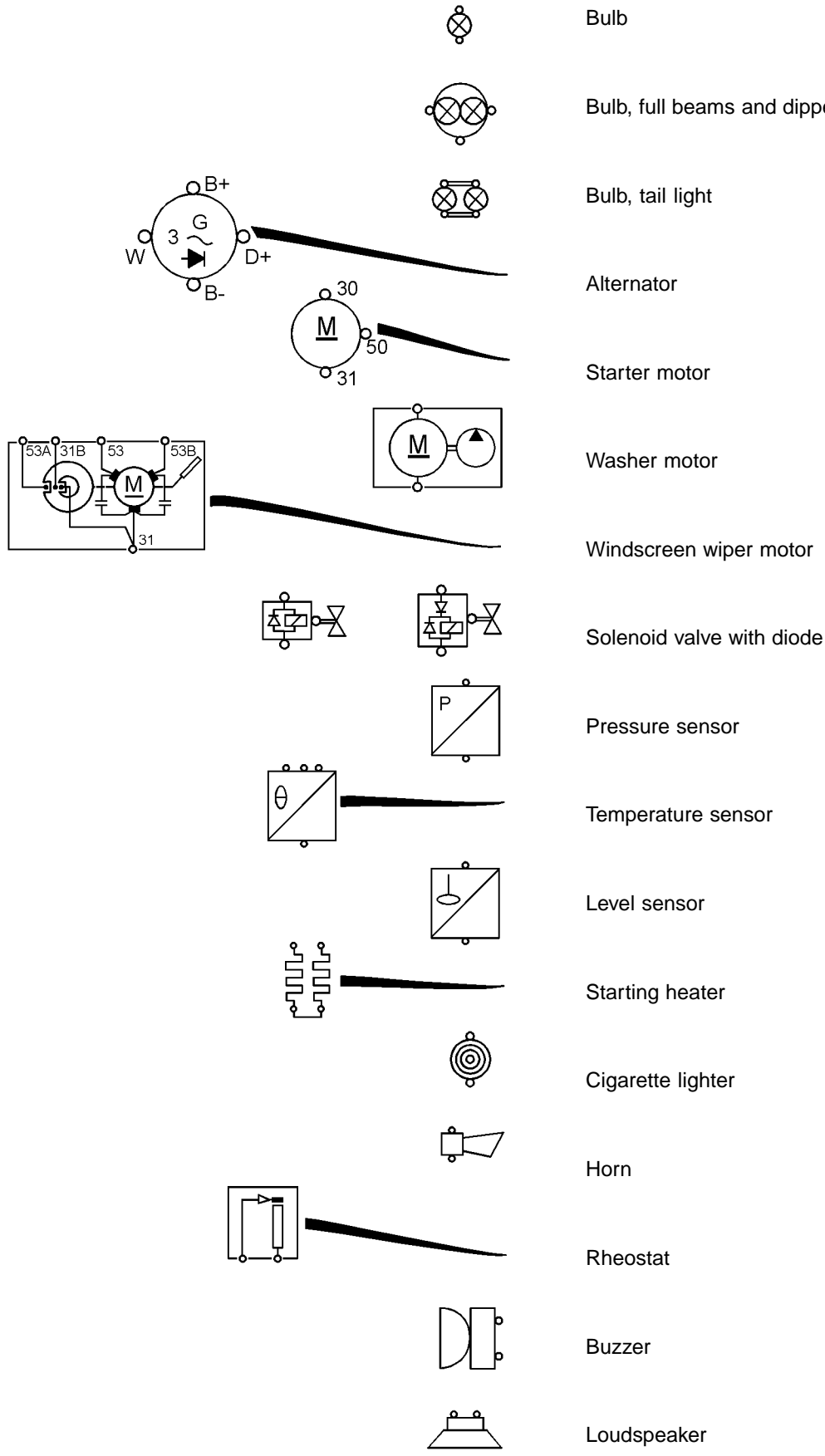
Joint sleeve.

T3009608

# Examples of symbols on wiring diagram

	<p>Battery</p>
	<p>Connector</p>
	<p>Junktion</p>
	<p>Fuse</p>
	<p>Joint sleeve</p>
	<p>Cable</p>
	<p>Twisted cables</p>
	<p>Conductor on circuit card</p>
	<p>Earth connection and cable</p>
	<p>Switch</p>
	<p>Switch, starting switch</p>
	<p>Closing kontakt</p>
	<p>Closing kontakt, pressure-regulated</p>
	<p>Break kontakt, temperature-regulated</p>
	<p>Closing kontakt, time-regulated</p>
	<p>Slip kontakt, horn</p>
	<p>Relay</p>
	<p>Relay with internal circuit diagram</p>

T3009609



Bulb

Bulb, full beams and dipped beams

Bulb, tail light

Alternator

Starter motor

Washer motor

Windscreen wiper motor

Solenoid valve with diode

Pressure sensor

Temperature sensor

Level sensor

Starting heater

Cigarette lighter

Horn

Rheostat

Buzzer

Loudspeaker

T3009610

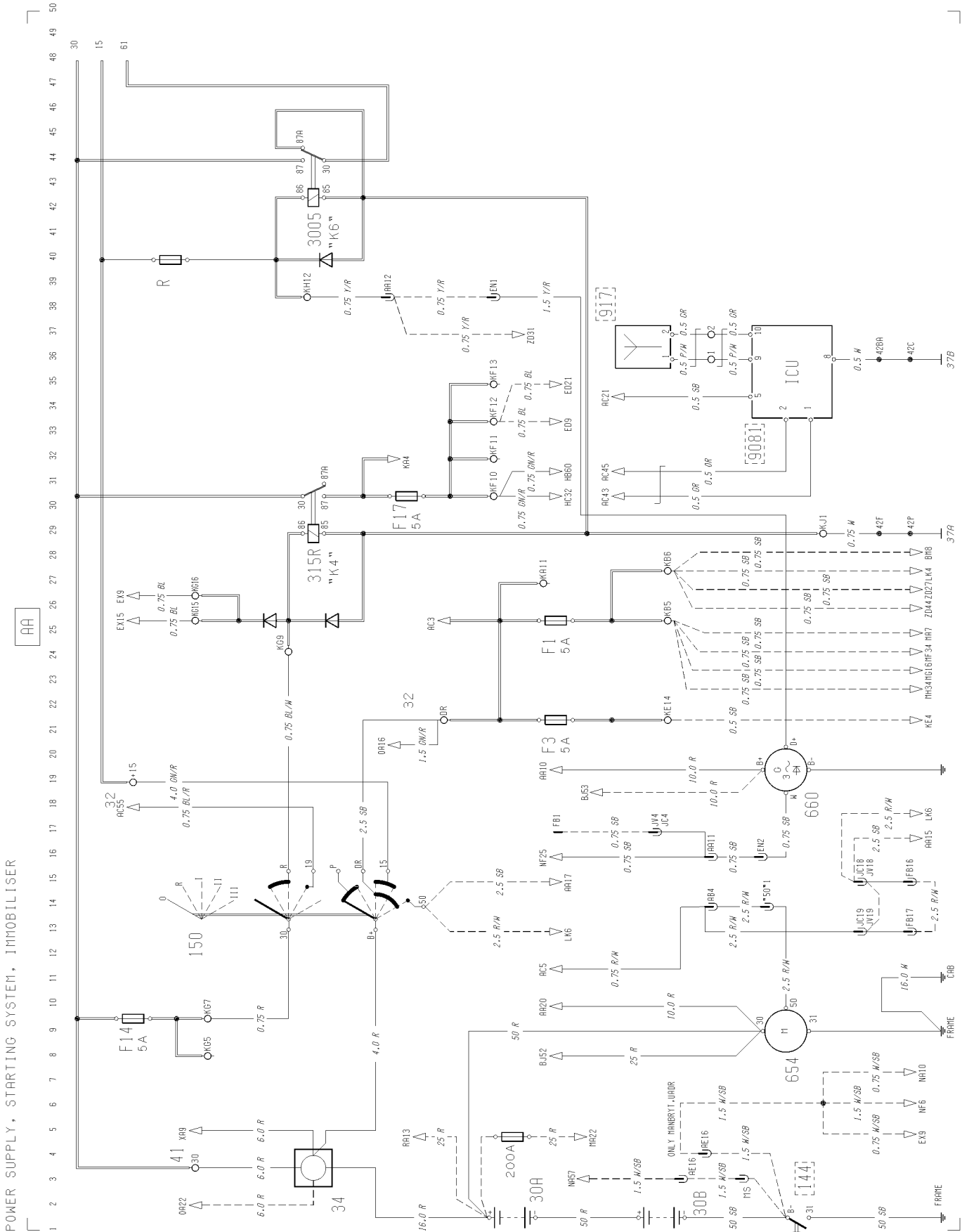
# Component wiring diagram index

<b>AA</b>	Power supply, starting system, immobiliser .....	page 7
<b>AC</b>	Vehicle ECU .....	page 8
<b>BJ</b>	Engine ECU, DIESEL .....	page 10
<b>BM</b>	Gearbox ECU, MD3060P5/MD3560P5 .....	page 12
<b>BZ</b>	Engine ECU, CNG .....	page 14
<b>CE</b>	Head light, parking light, DRL .....	page 16
<b>CG</b>	Fog light, rear fog light .....	page 17
<b>CH</b>	Spot light .....	page 17
<b>CK</b>	Brake light .....	page 18
<b>CN</b>	Direction indicator, hazard warning light .....	page 18
<b>EA</b>	Reversing light, reversing warning alarm .....	page 19
<b>ED</b>	Loading light/fifth wheel light .....	page 19
<b>EJ</b>	Identification lamps .....	page 20
<b>EN</b>	Rotating warning light .....	page 20
<b>ER</b>	Interior lighting .....	page 20
<b>EV</b>	Cigarette lighter .....	page 21
<b>EX</b>	12 V power supply .....	page 21
<b>FA</b>	Horn .....	page 21
<b>GA</b>	Wiper, washer .....	page 22
<b>HA</b>	Climate unit .....	page 23
<b>HB</b>	Cab heater, air .....	page 24
<b>HC</b>	Cab and engine heater, PH-ENGCA (EBERSPÄCHER) .....	page 25
<b>HD</b>	Rest heater, short stop cab heater .....	page 26
<b>HE</b>	Electrically heated seat .....	page 26
<b>HG</b>	Electrically heated mirrors .....	page 27
<b>HH</b>	Electrically operated mirrors .....	page 27
<b>HM</b>	Fuel filter heater, water separator heater .....	page 28
<b>JA</b>	Radio .....	page 28
<b>KA</b>	Electrically operated window winders .....	page 29
<b>KE</b>	SRS, air-bag .....	page 30
<b>KH</b>	Central locking CHID -B276335 .....	page 30
<b>KH</b>	Central locking CHID B276336- .....	page 31
<b>LD</b>	Power take-off or KOBLAM .....	page 31
<b>LE</b>	Power take-off and KOBLAM .....	page 32
<b>LG</b>	Differential lock .....	page 32
<b>LK</b>	Automatic gearbox .....	page 33

<b>MA</b>	Bogie lift, A-ride .....	page 34
<b>MF</b>	Air suspension, 4x2/6x2, RIGID, E-MEDIUM CHID-B344350 .....	page 35
<b>MF</b>	Air suspension, 4x2/6x2, RIGID, E-MEDIUM CHID B344351- .....	page 36
<b>MG</b>	Air suspension, 4x2, TRACTOR CHID-B344350 .....	page 37
<b>MG</b>	Air suspension, 4x2, TRACTOR CHID B344351- .....	page 38
<b>MH</b>	Air suspension, 4x2, RIGID, L-H MEDIUM CHID-B344350 .....	page 39
<b>MH</b>	Air suspension, 4x2, RIGID, L-H MEDIUM CHID B344351- .....	page 40
<b>MV</b>	Air-dump .....	page 41
<b>NA</b>	Instrument LHS module CHID-B356223 .....	page 42
<b>NA</b>	Instrument LHS module CHID B356224- .....	page 43
<b>NC</b>	Instrument RHS module .....	page 44
<b>NF</b>	Tachograph .....	page 45
<b>NZ</b>	Instrument center module .....	page 46
<b>OA</b>	Basic ABS, D-version .....	page 48
<b>PA</b>	Headlight adjust .....	page 50
<b>RA</b>	Taillift .....	page 50
<b>XA</b>	Extra fuse block, key switch relay .....	page 51
<b>XD</b>	Extra connection body builder .....	page 52
<b>ZA</b>	Earth connections .....	page 54
<b>ZB</b>	Earth connections CHID-B356223 .....	page 56
<b>ZB</b>	Earth connections CHID B356224- .....	page 58
<b>ZD</b>	ADR battery main switch, current limiter CHID-B340450 .....	page 60
<b>ZD</b>	ADR battery main switch, current limiter CHID B340451- .....	page 61



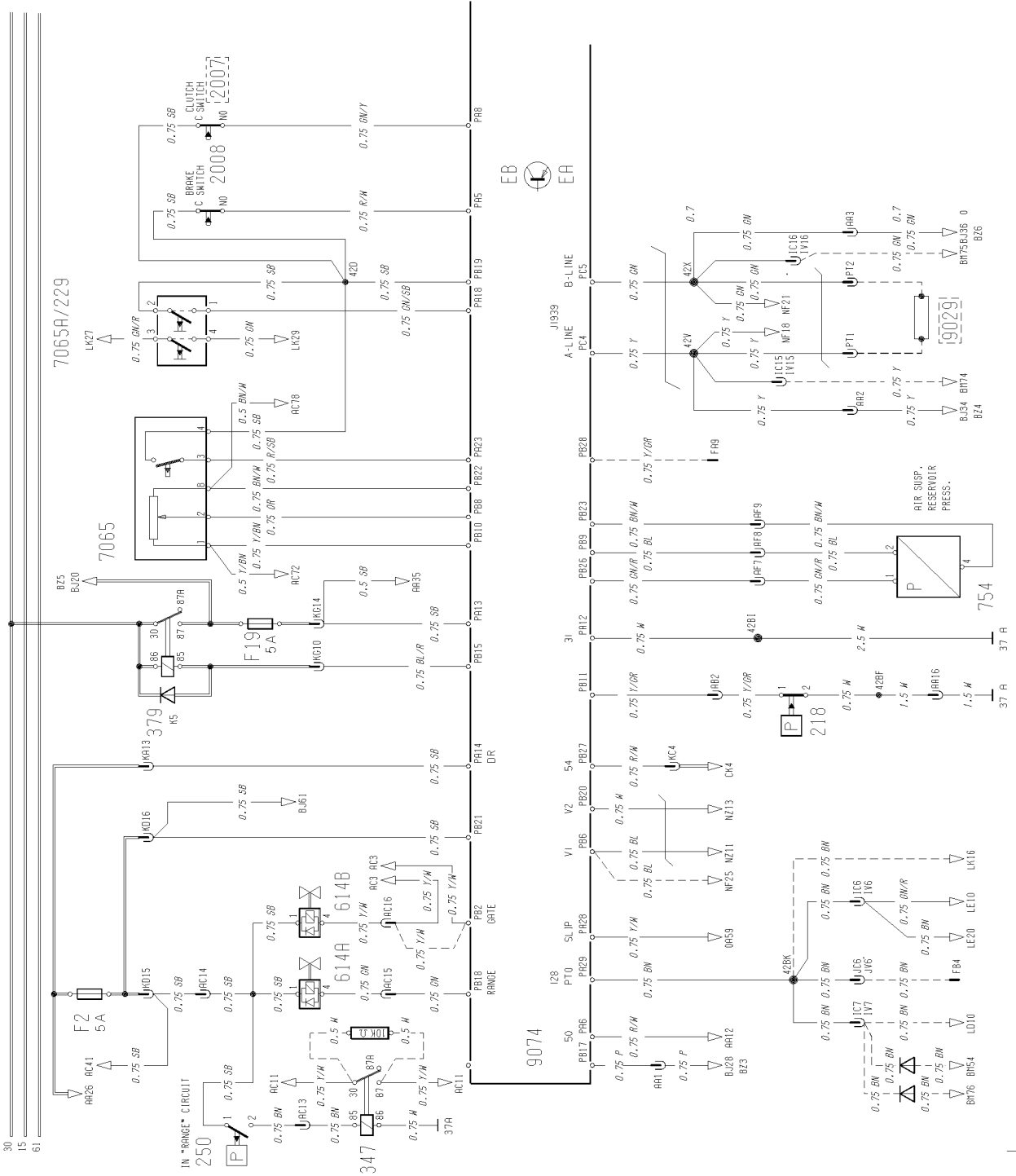
# Component wiring diagrams



VEHICLE ECU.

AC

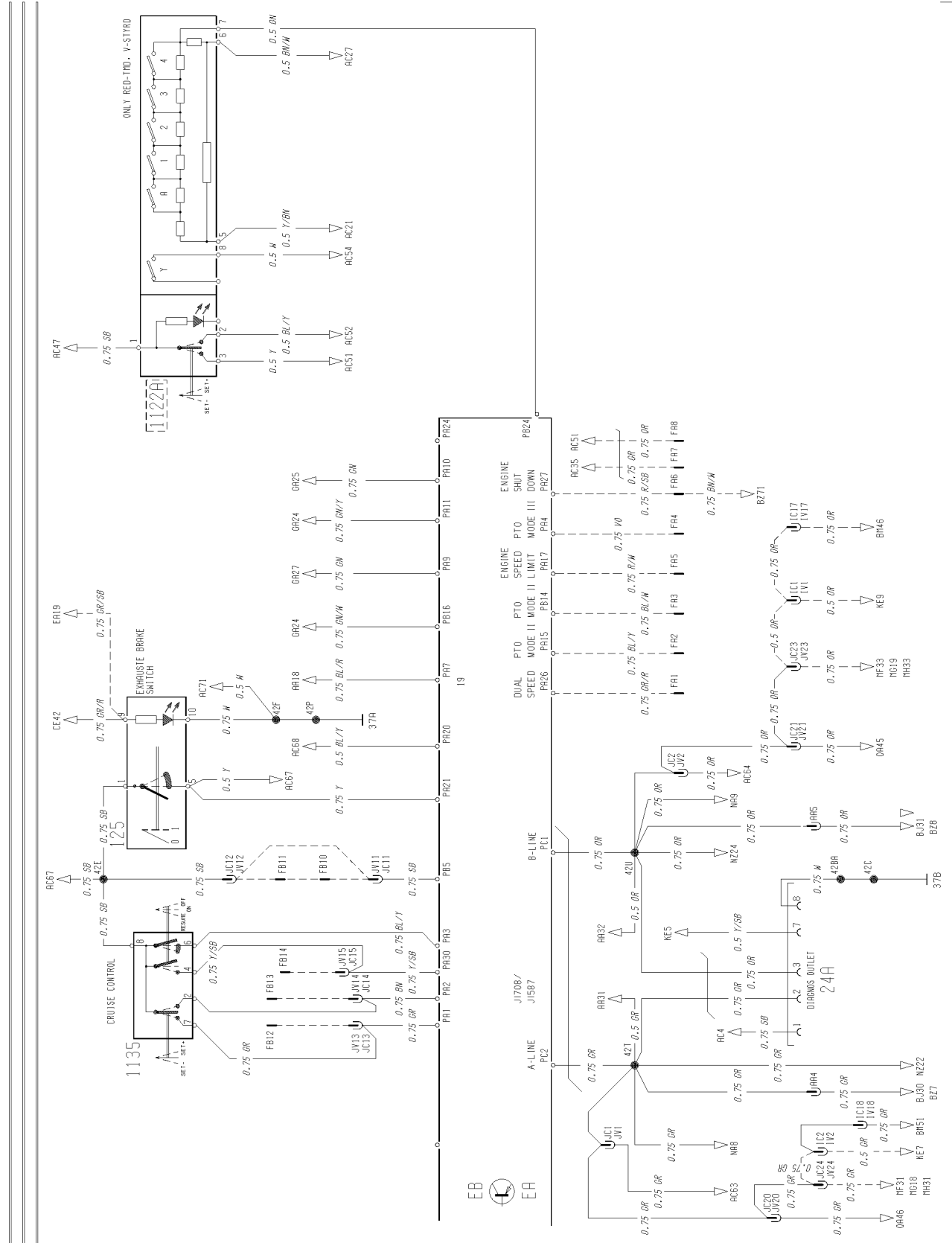
1 2 3 4 5 6 7 8 9 10 11 12 13 14 15 16 17 18 19 20 21 22 23 24 25 26 27 28 29 30 31 32 33 34 35 36 37 38 39 40



T3017176

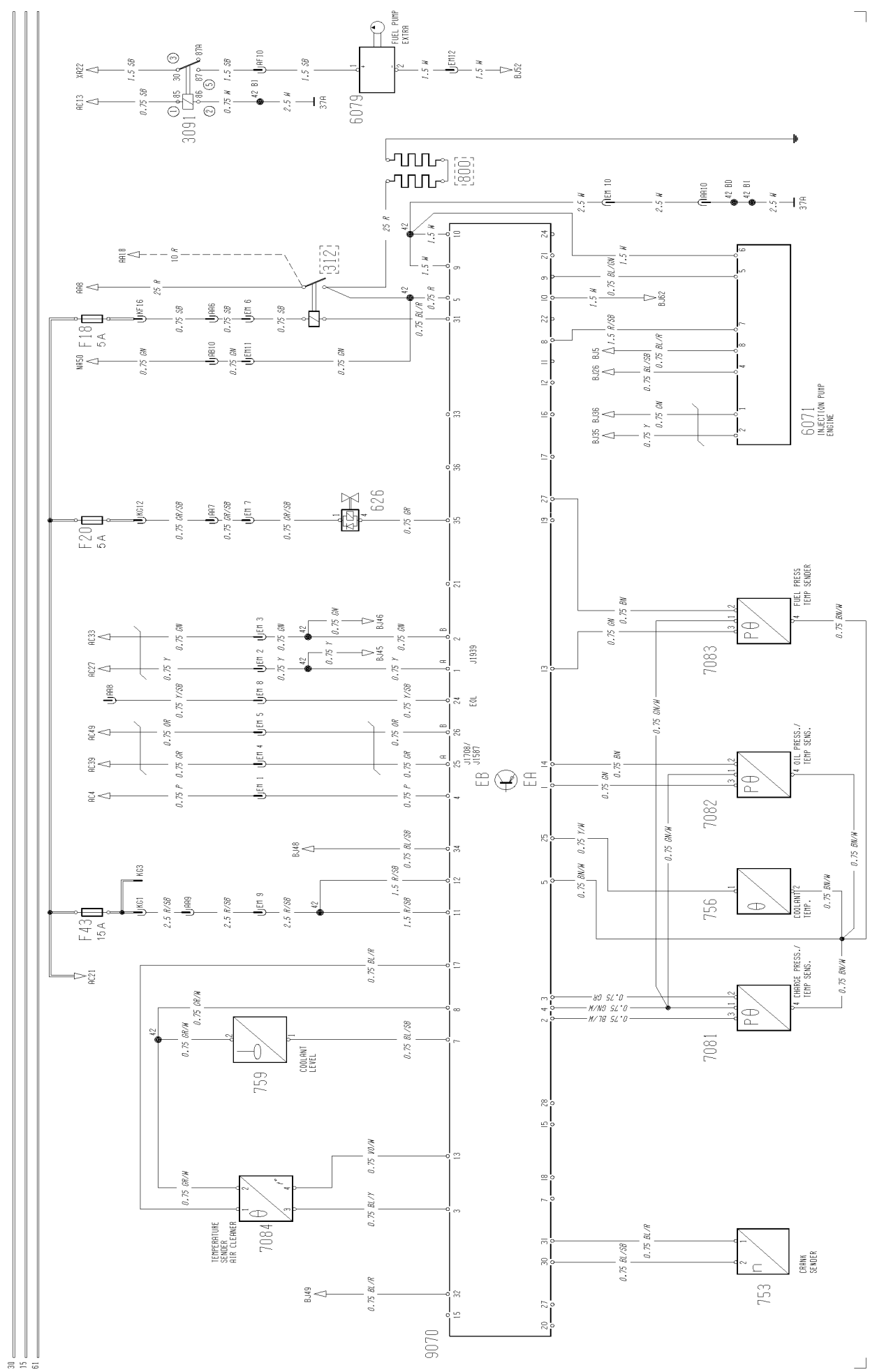
33 34 35 36 37 38 39 40 41 42 43 44 45 46 47 48 49 50 51 52 53 54 55 56 57 58 59 60 61 62 63 64 65 66 67 68 69 70 71 72 73 74 75 76 77 78 79 80

AC



T3017177

1 2 3 4 5 6 7 8 9 10 11 12 13 14 15 16 17 18 19 20 21 22 23 24 25 26 27 28 29 30 31 32 33 34 35 36 37 38 39 40 41 42 43 44 45 46 47 48 49 50 51 52 53 54 55 56 57 58 59 60 61 62 63 64 65



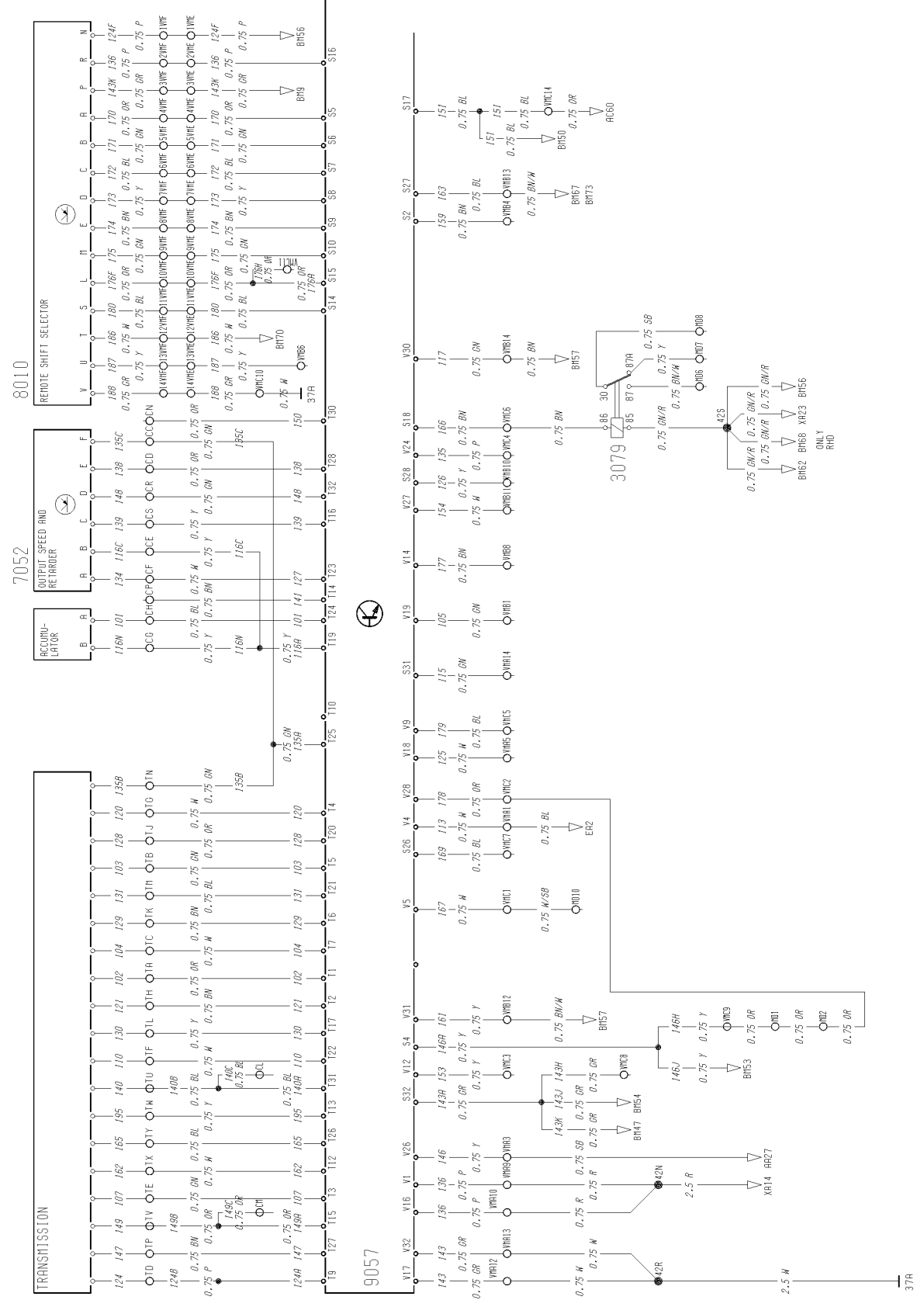


[ BM ]

GEARBOX ECU, MD

1 2 3 4 5 6 7 8 9 10 11 12 13 14 15 16 17 18 19 20 21 22 23 24 25 26 27 28 29 30 31 32 33 34 35 36 37 38 39 40 41 42 43 44 45 46 47 48 49

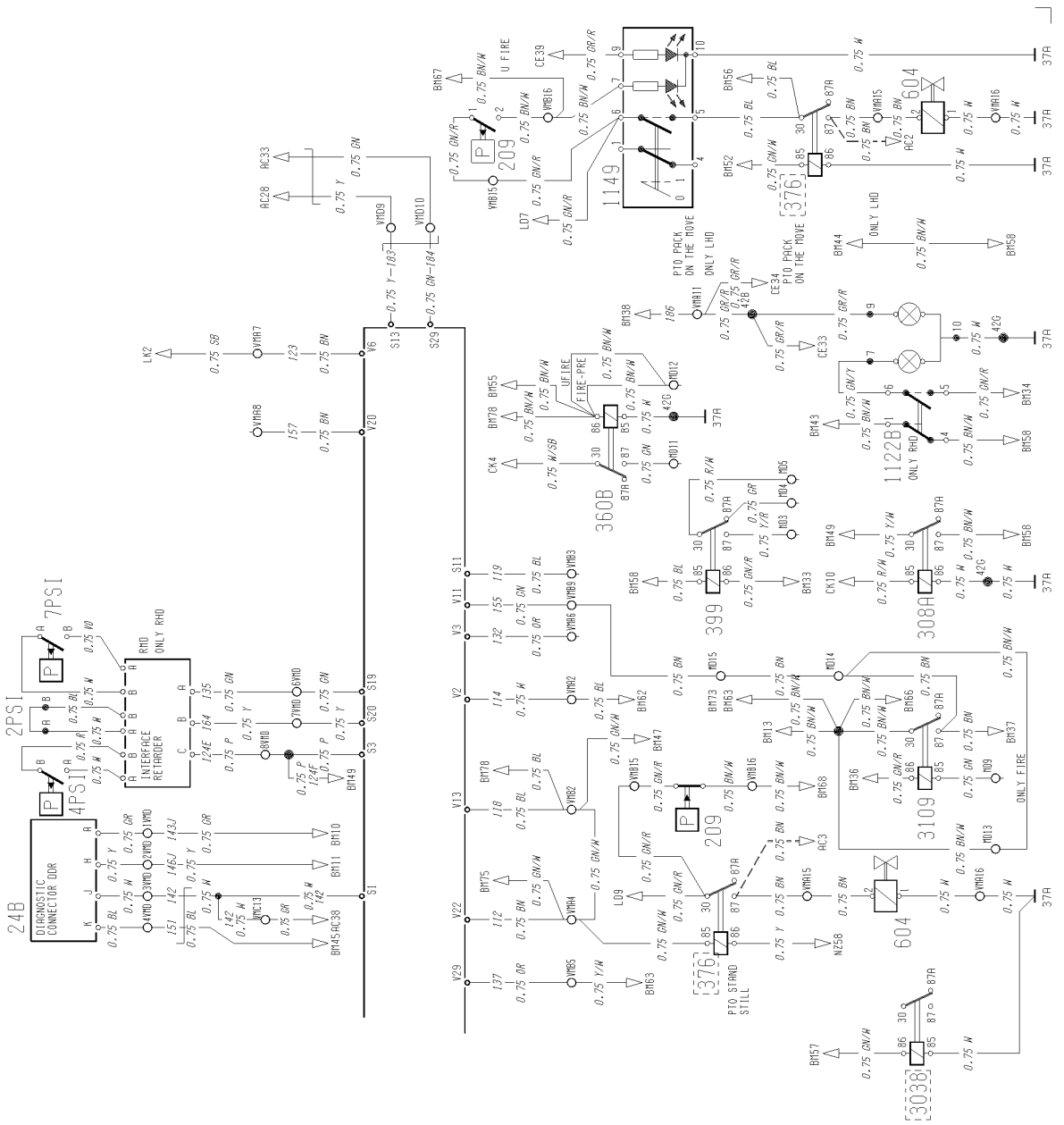
30  
15  
61



T3015456

[BM]

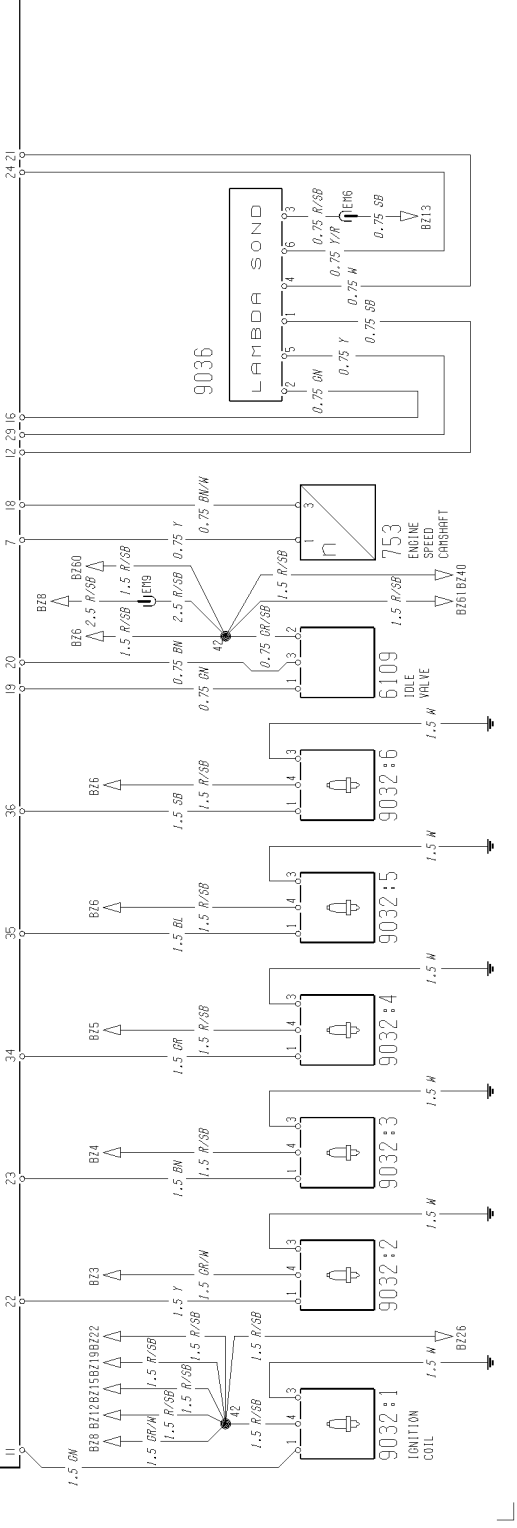
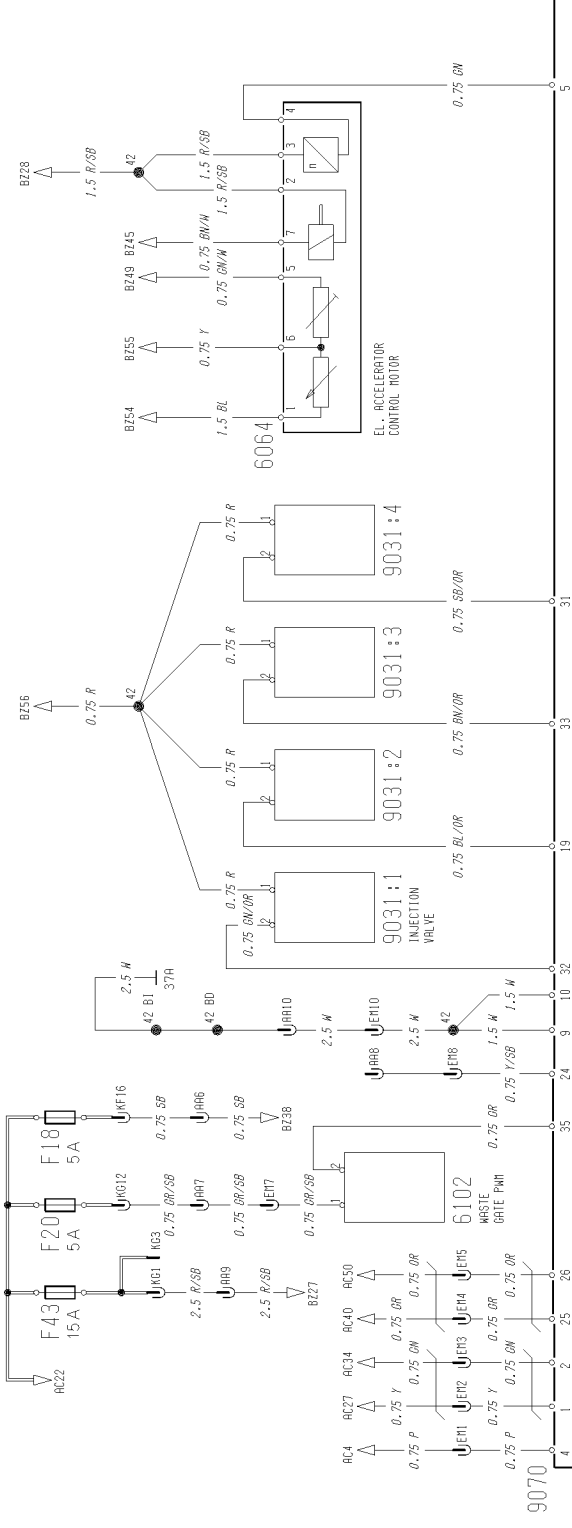
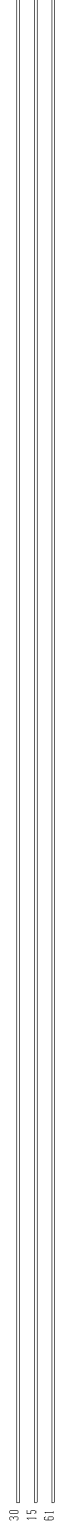
48 49 50 51 52 53 54 55 56 57 58 59 60 61 62 63 64 65 66 67 68 69 70 71 72 73 74 75 76 77 78 79 80



T3015457

ENGINE ECU CNG

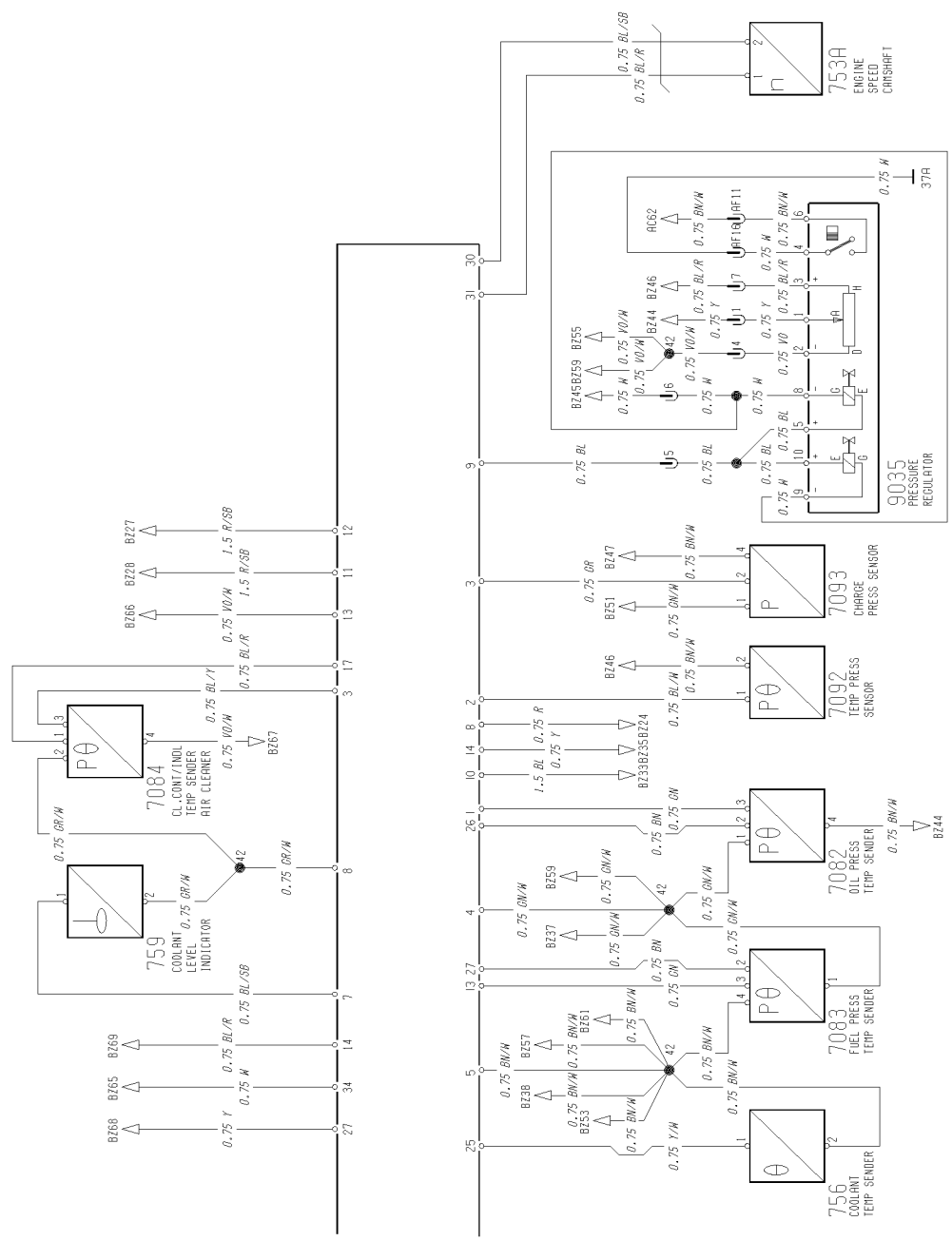
1 2 3 4 5 6 7 8 9 10 11 12 13 14 15 16 17 18 19 20 21 22 23 24 25 26 27 28 29 30 31 32 33 34 35 36 37 38 39 40 41 42 43 44



T3015458

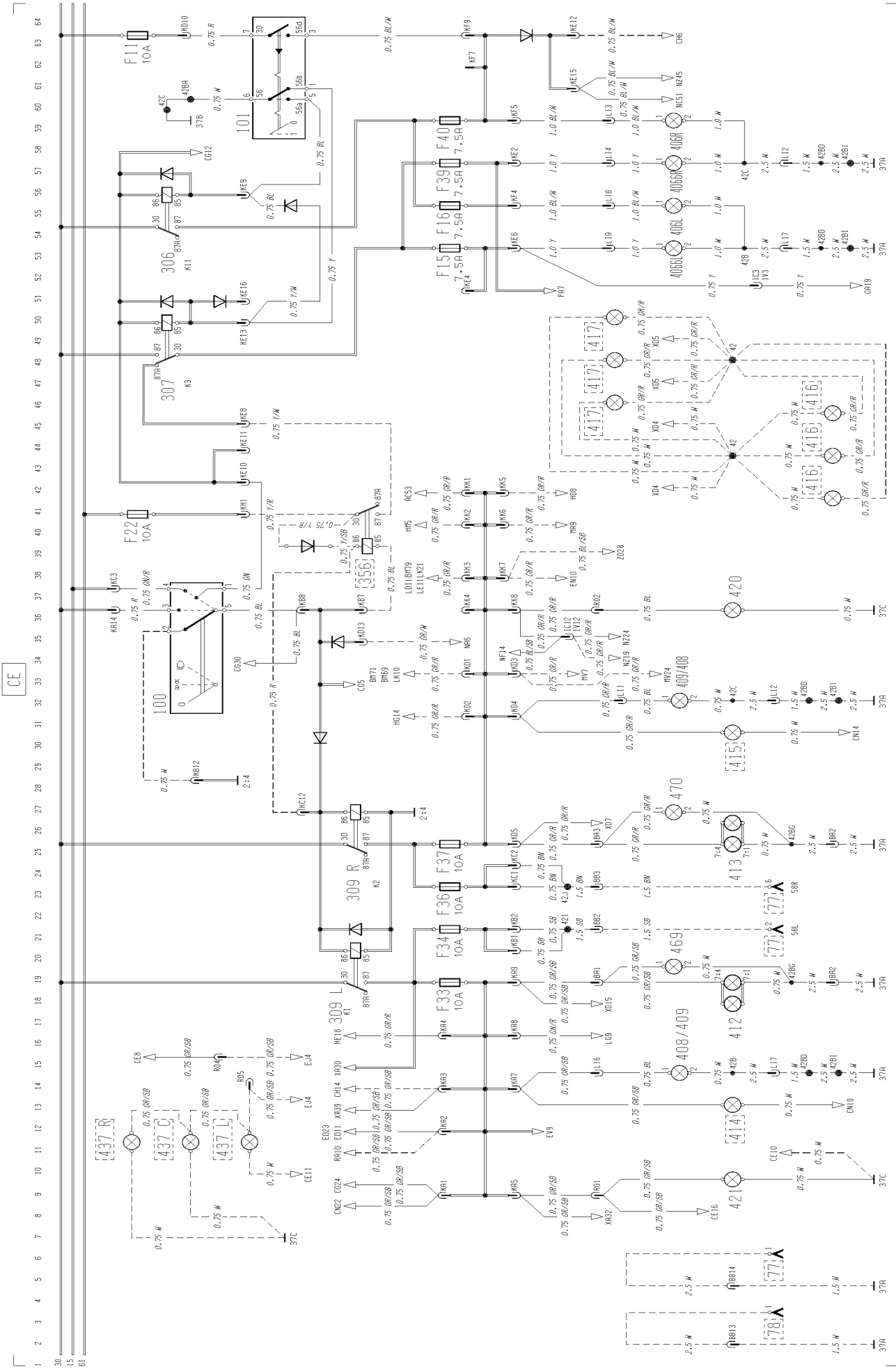


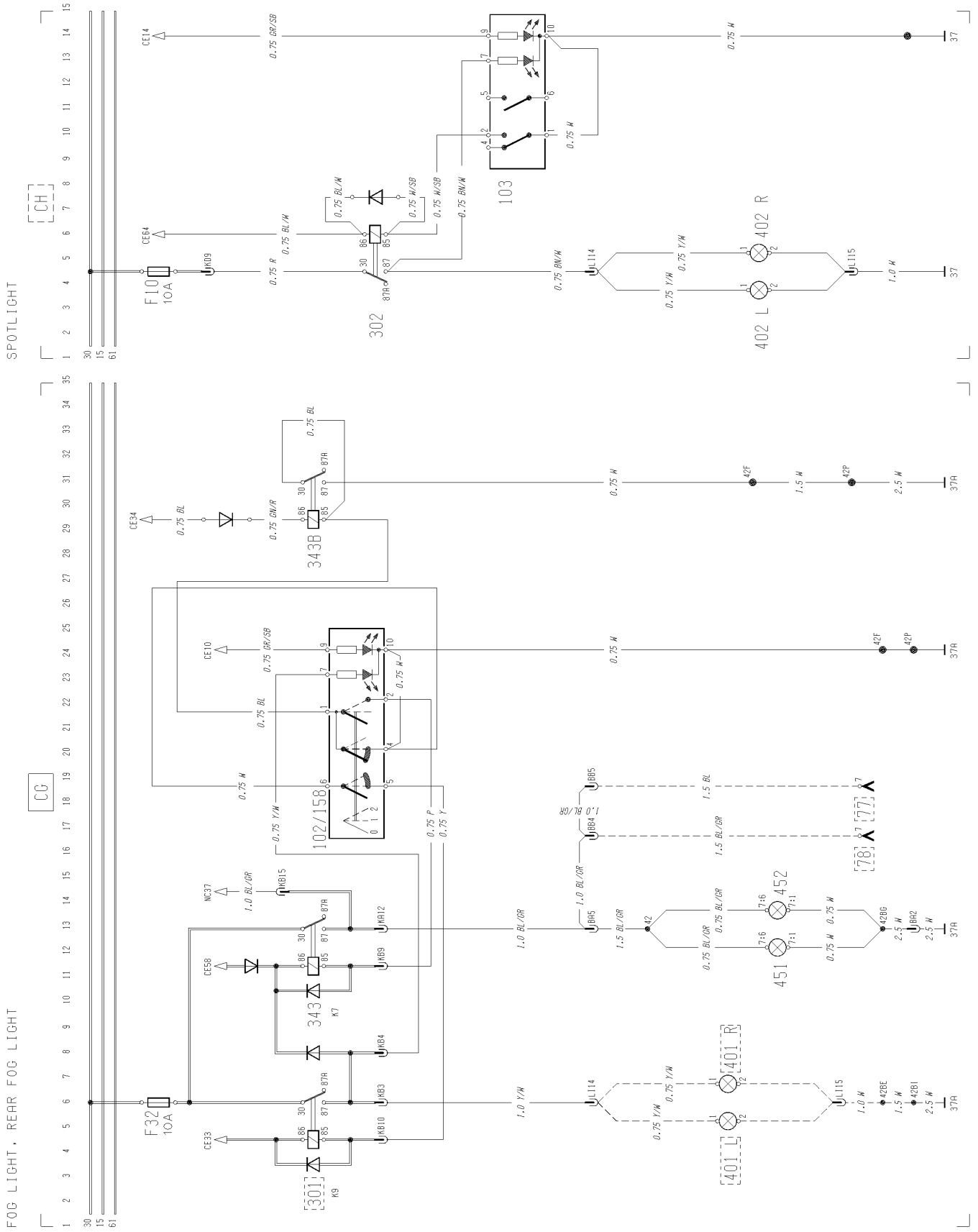
[ BZ ]  
 41 42 43 44 45 46 47 48 49 50 51 52 53 54 55 56 57 58 59 60 61 62 63 64 65 66 67 68 69 70 71 72 73 74 75 76 77 78 79 80



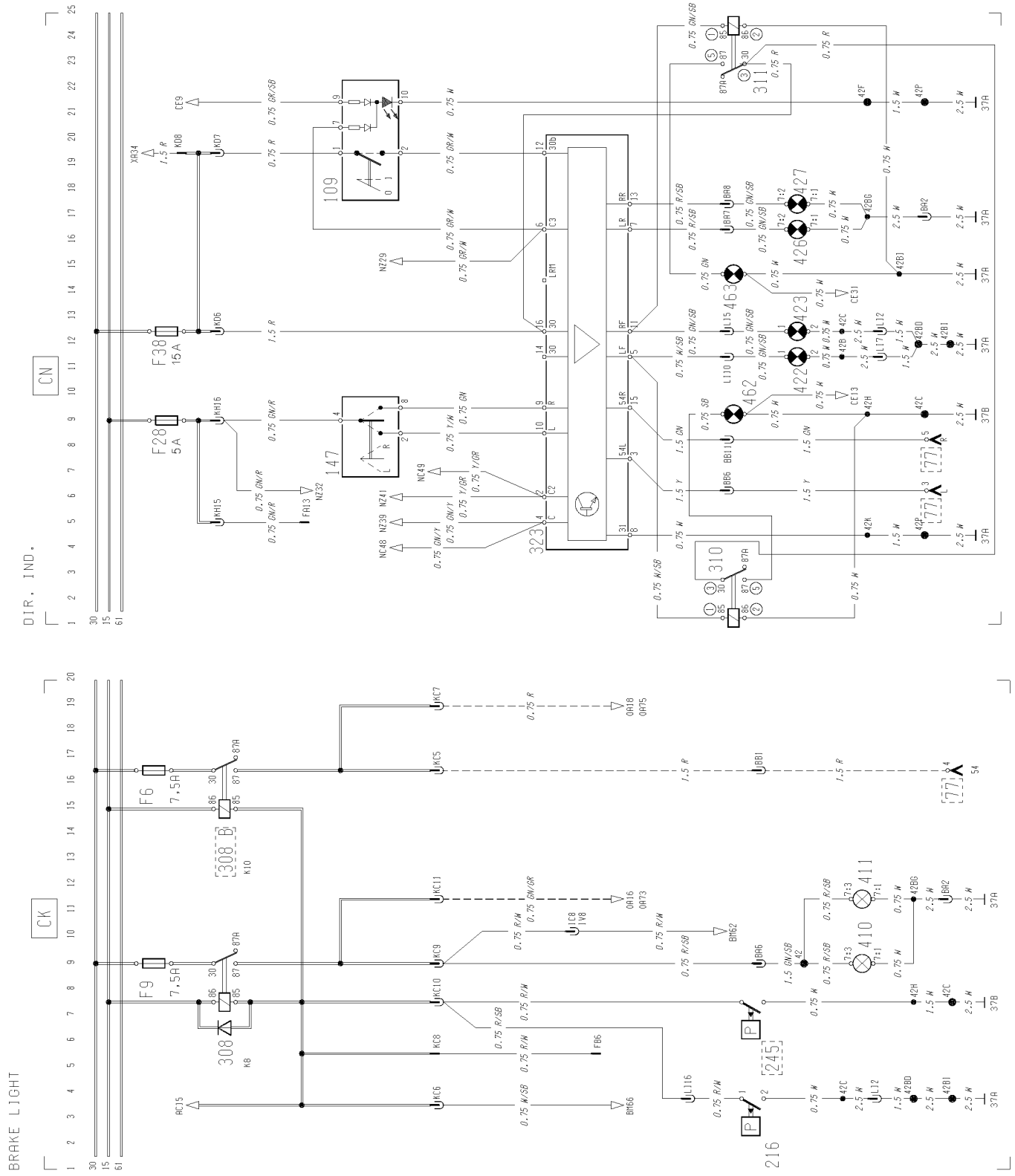
T3015459

HEADLIGHT, PARK-LIGHT, ORL, SIDE MARKER LIGHT

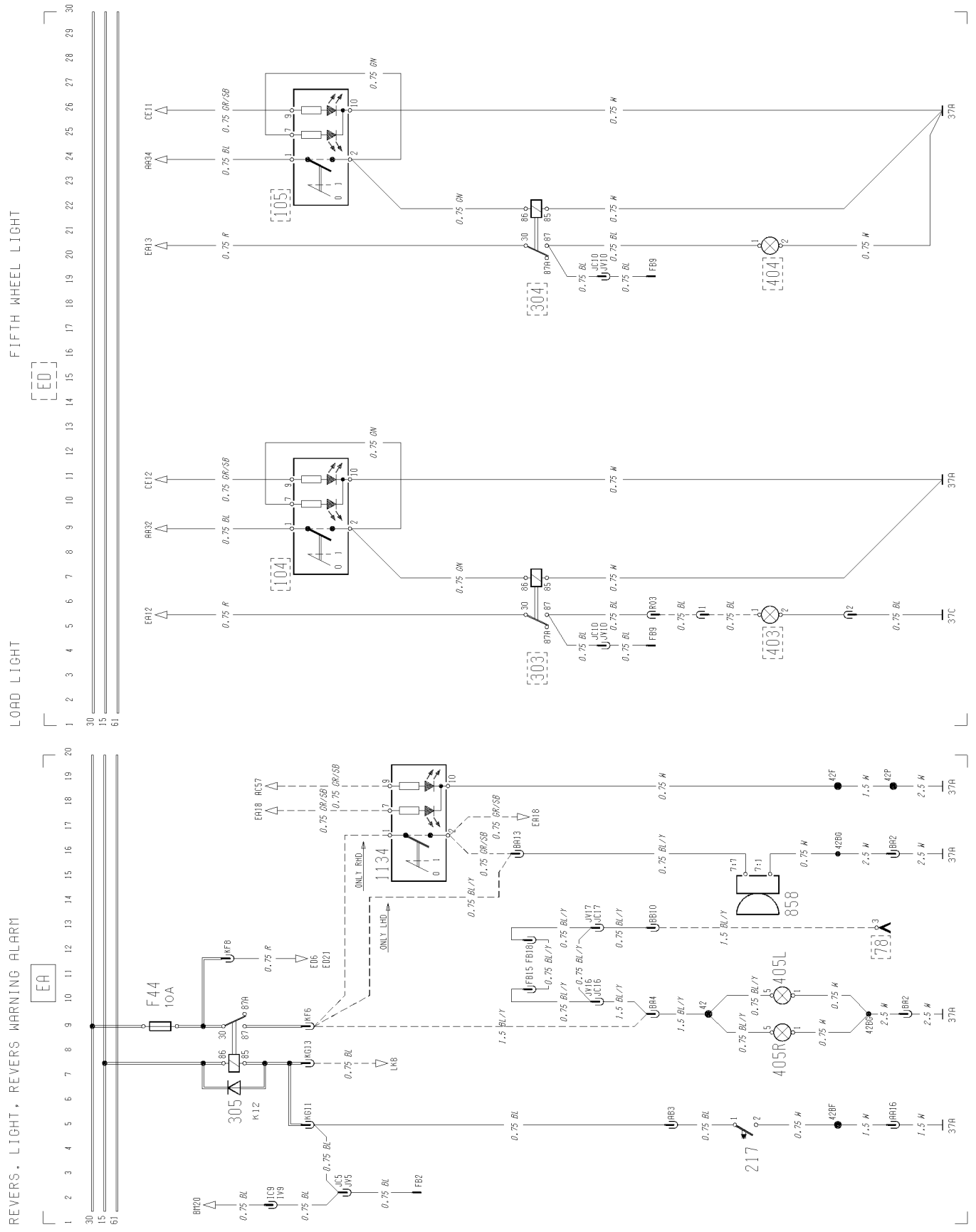


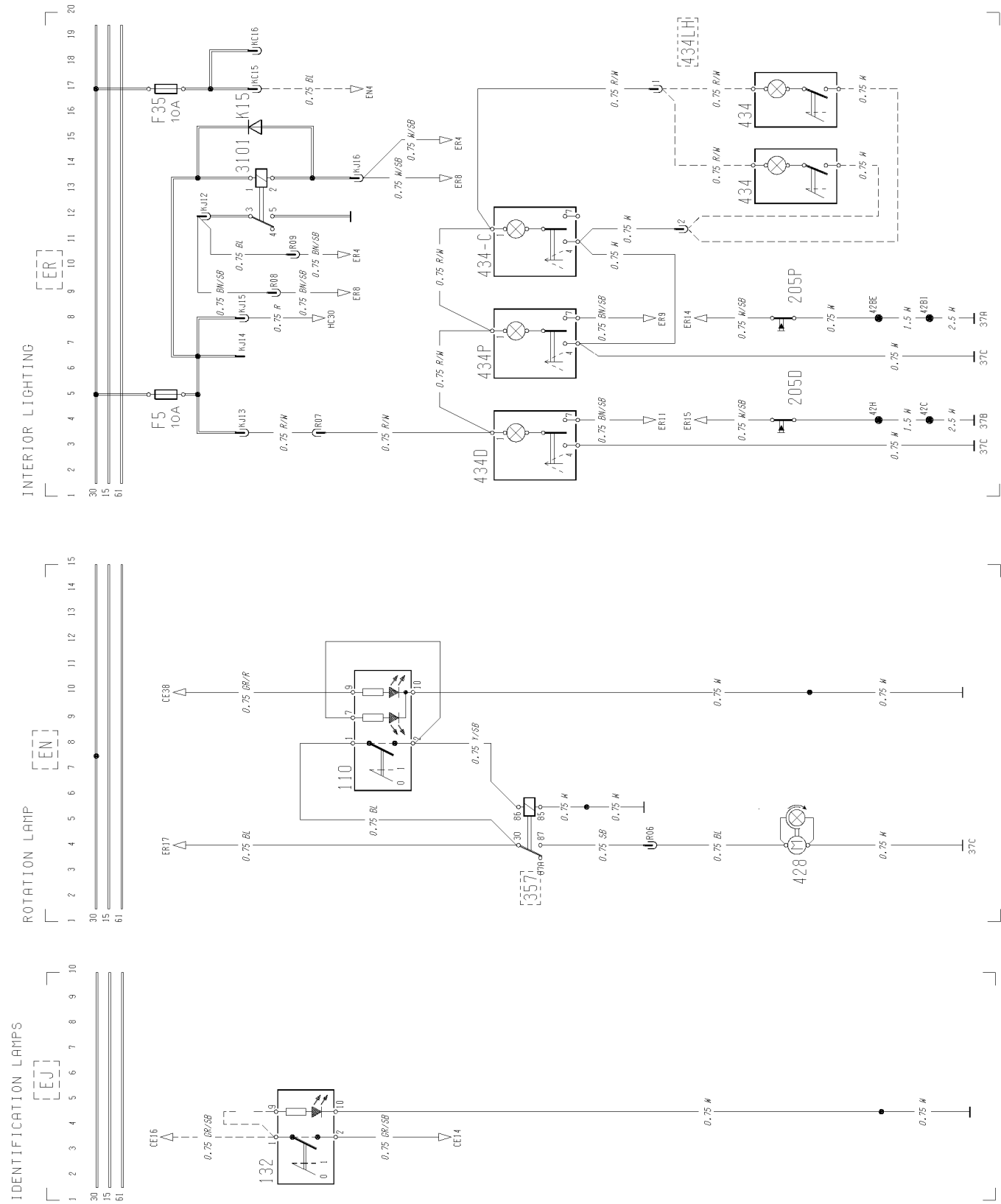


T3015461

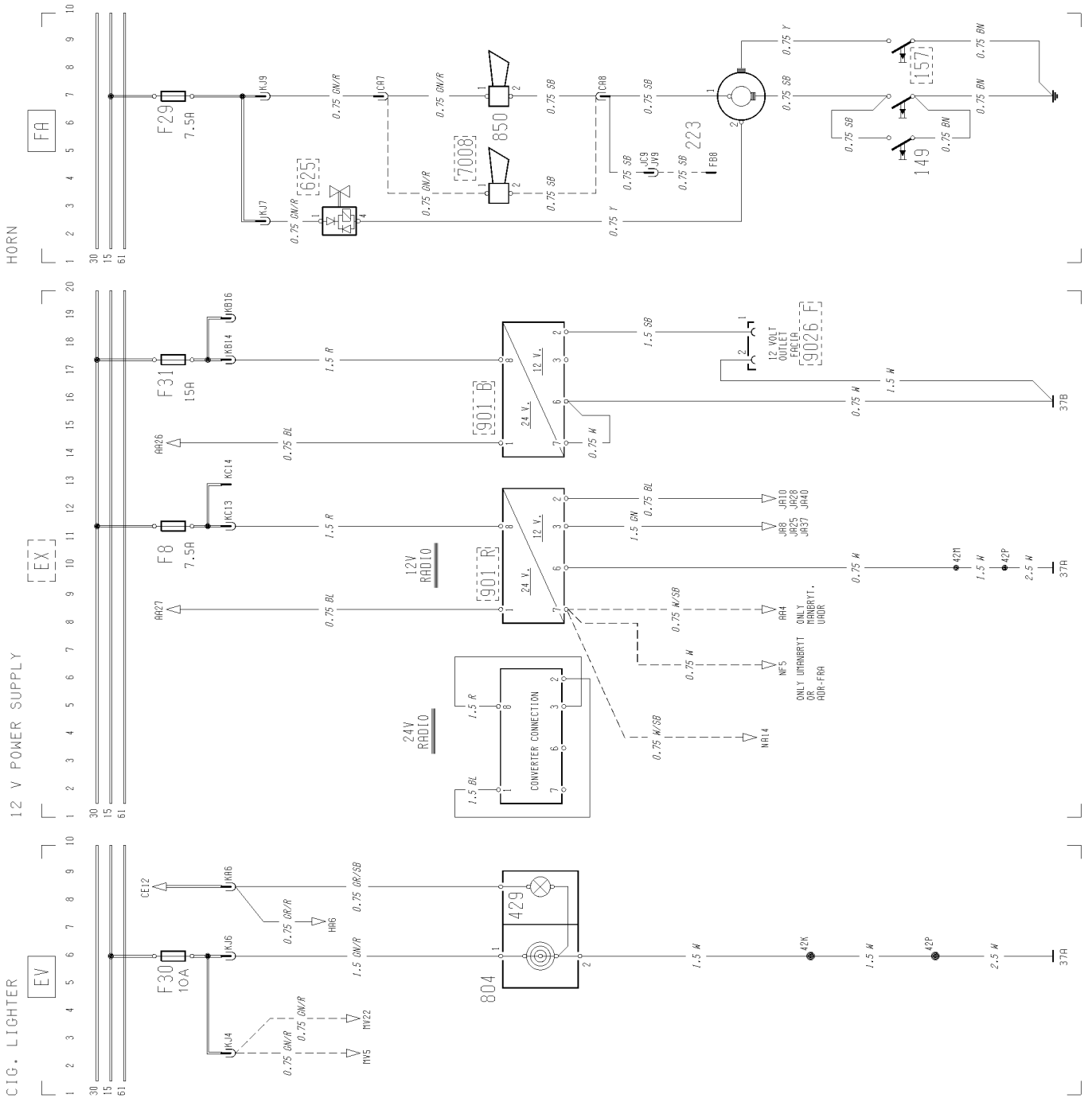


T3013872



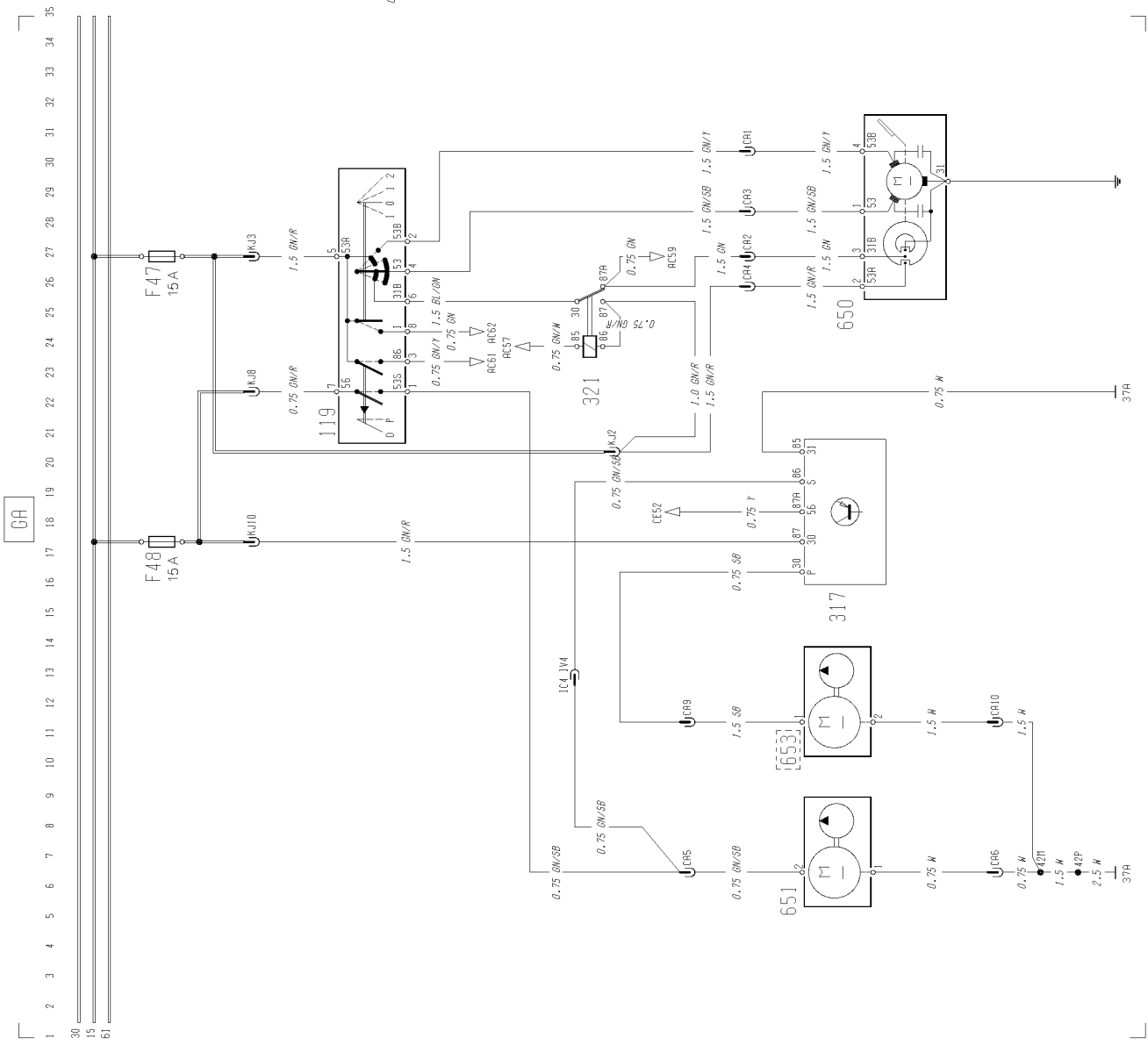


T3013874



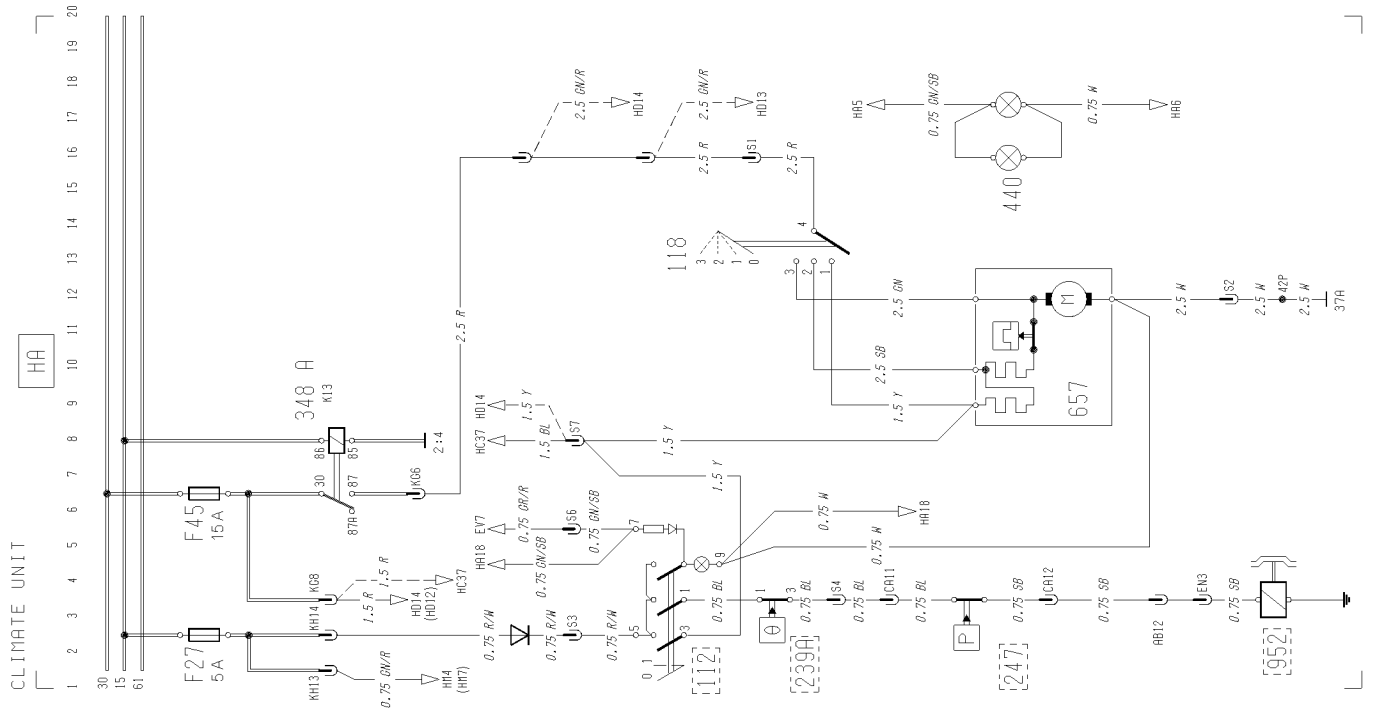
T3017180

WIPER SYSTEM



T3013876

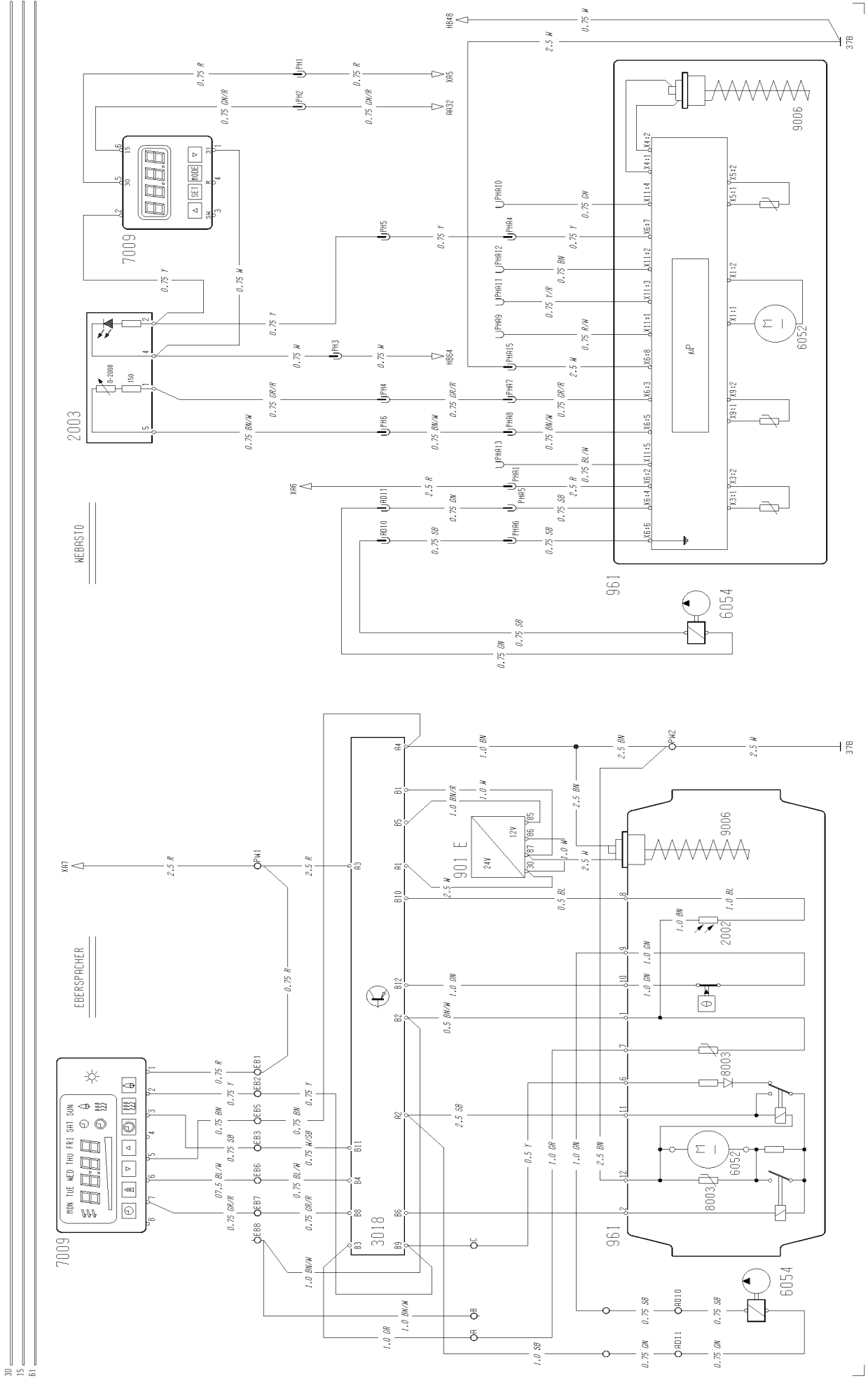




T3017181

[HB]

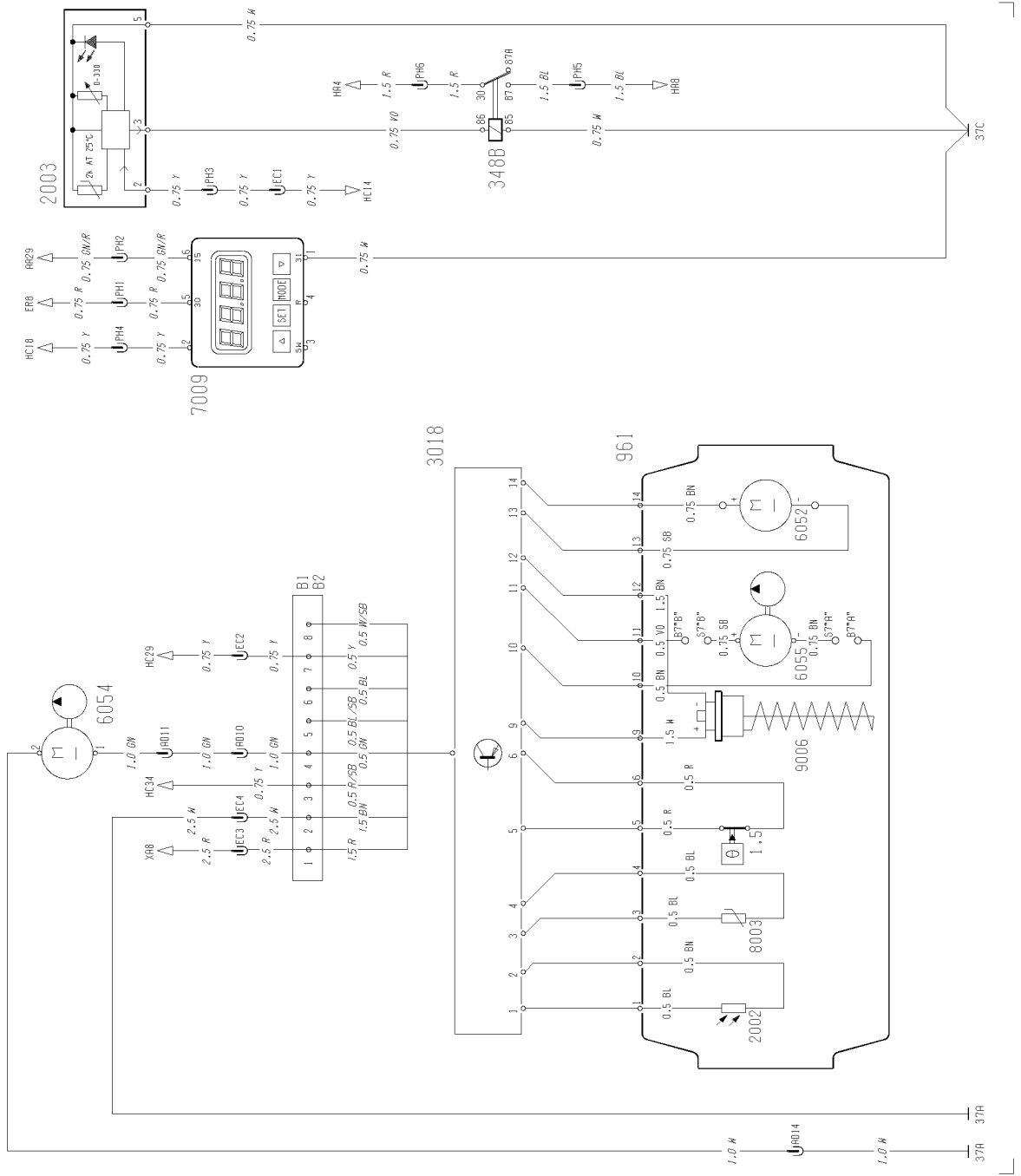
1 2 3 4 5 6 7 8 9 10 11 12 13 14 15 16 17 18 19 20 21 22 23 24 25 26 27 28 29 30 31 32 33 34 35 36 37 38 39 40 41 42 43 44 45 46 47 48 49 50 51 52 53 54 55 56 57 58 59 60 61 62 63 64

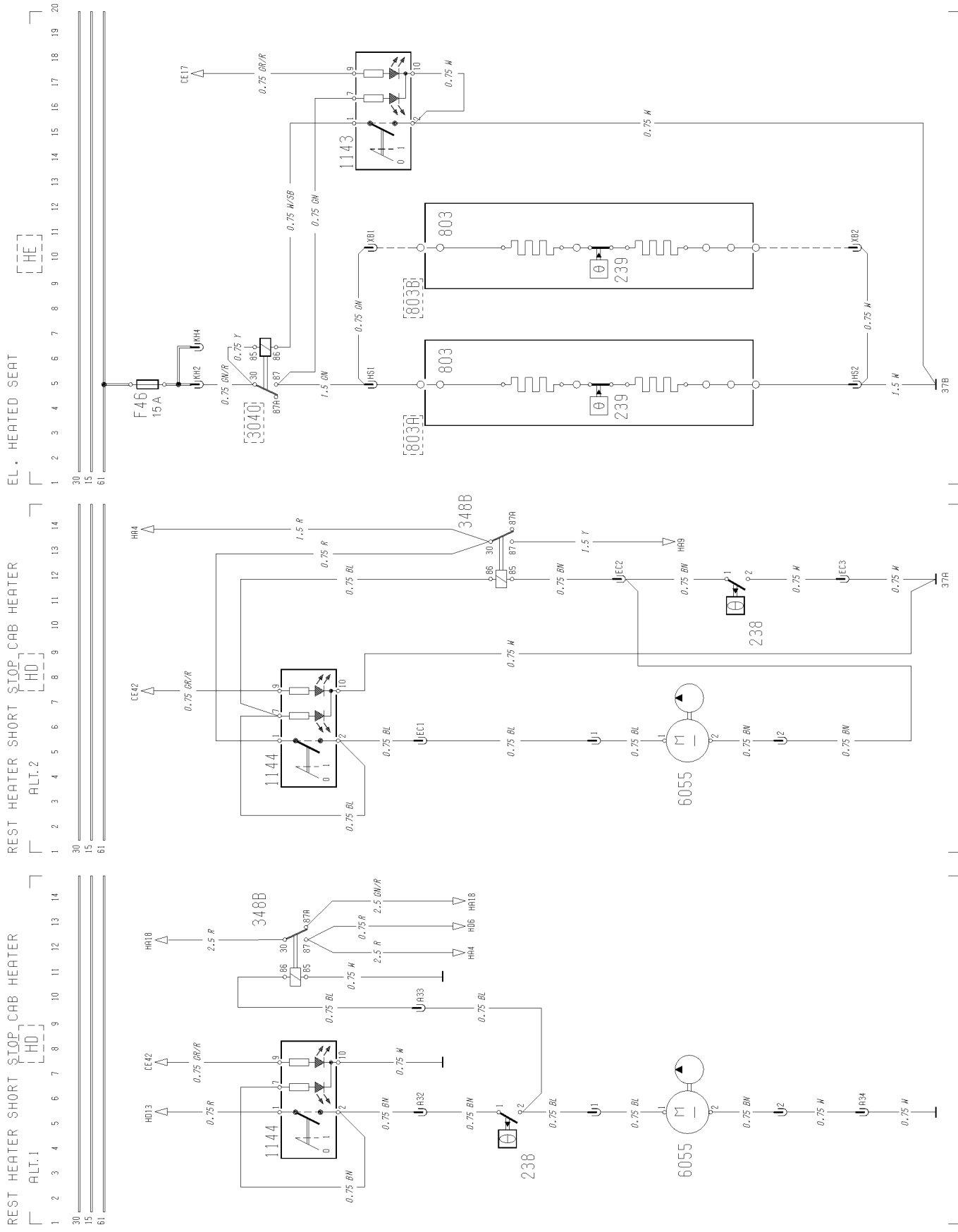


CAB AND ENGINE HEATER, PH-ENGCA (EBERSPRACHER) [HC]

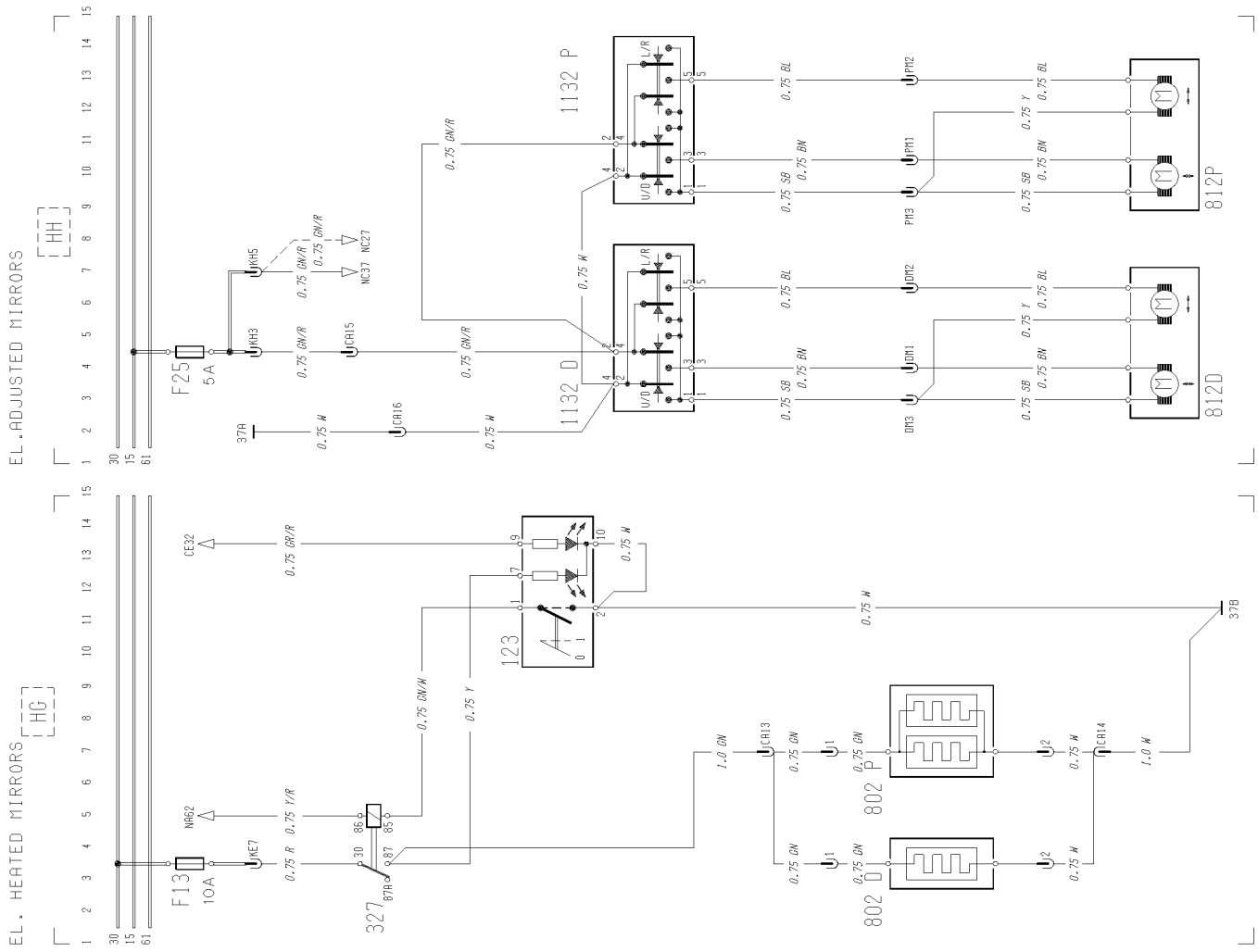
- 1
- 2
- 3
- 4
- 5
- 6
- 7
- 8
- 9
- 10
- 11
- 12
- 13
- 14
- 15
- 16
- 17
- 18
- 19
- 20
- 21
- 22
- 23
- 24
- 25
- 26
- 27
- 28
- 29
- 30
- 31
- 32
- 33
- 34
- 35
- 36
- 37
- 38
- 39
- 40

30  
15  
61





T3017183

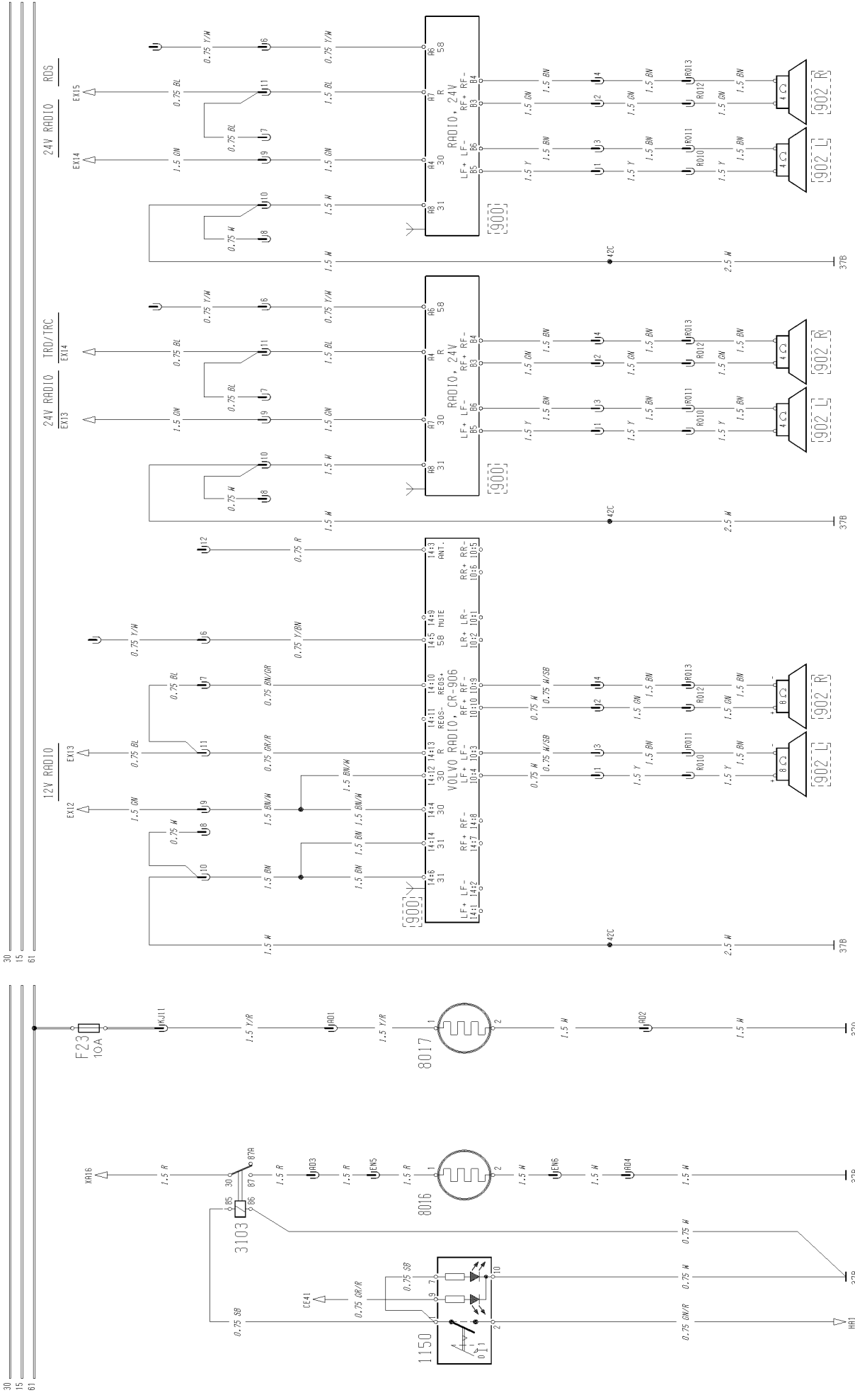


T3015464

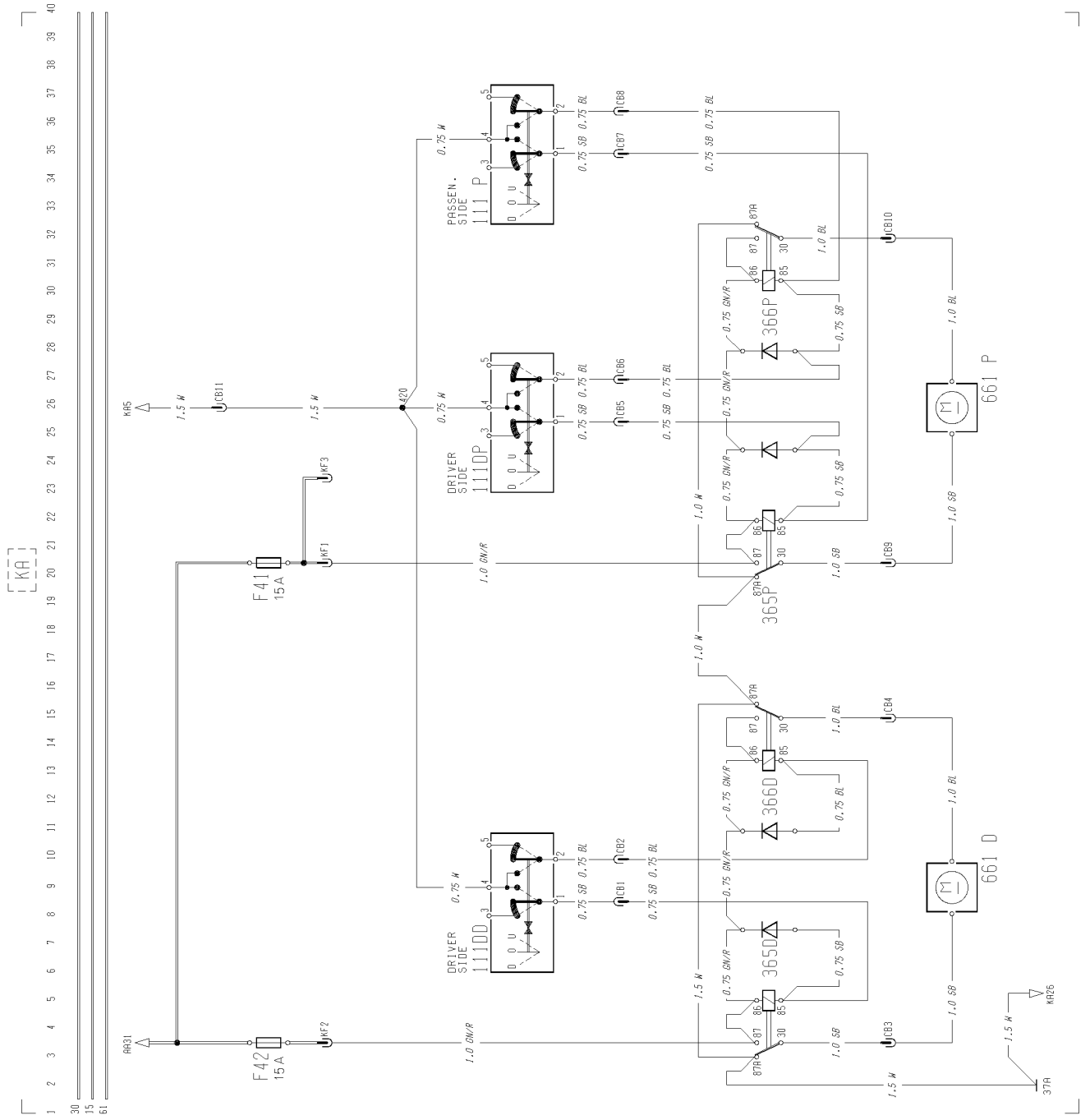
FUEL FILTER HEATER, WATERSEPARATOR HEATER

RADIO

1 2 3 4 5 6 7 8 9 10 11 12 13 14 15 16 17 18 19 20 21 22 23 24 25 26 27 28 29 30 31 32 33 34 35 36 37 38 39 40 41 42 43

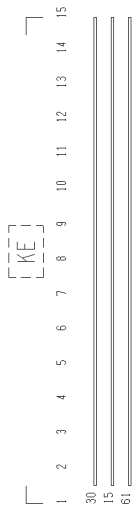


EL. WINDOW WINDERS

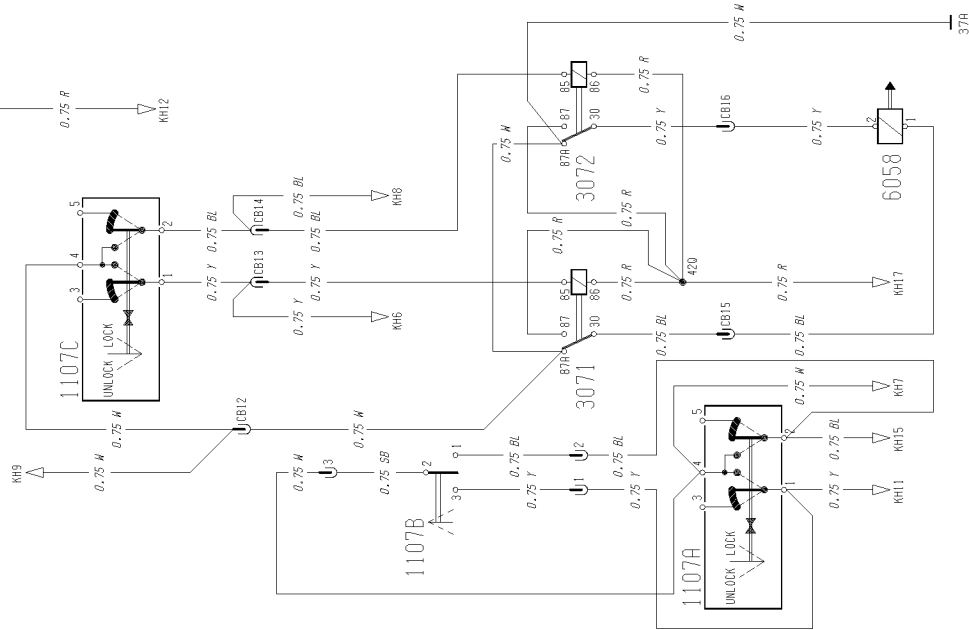
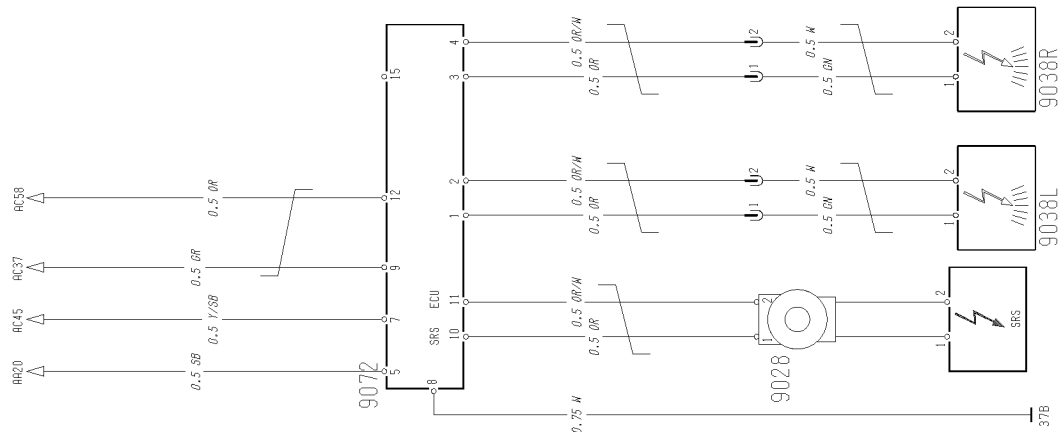
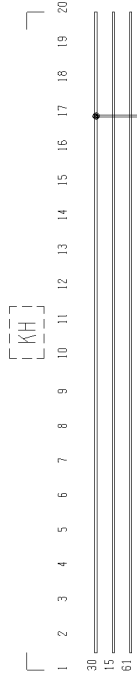


T3013883

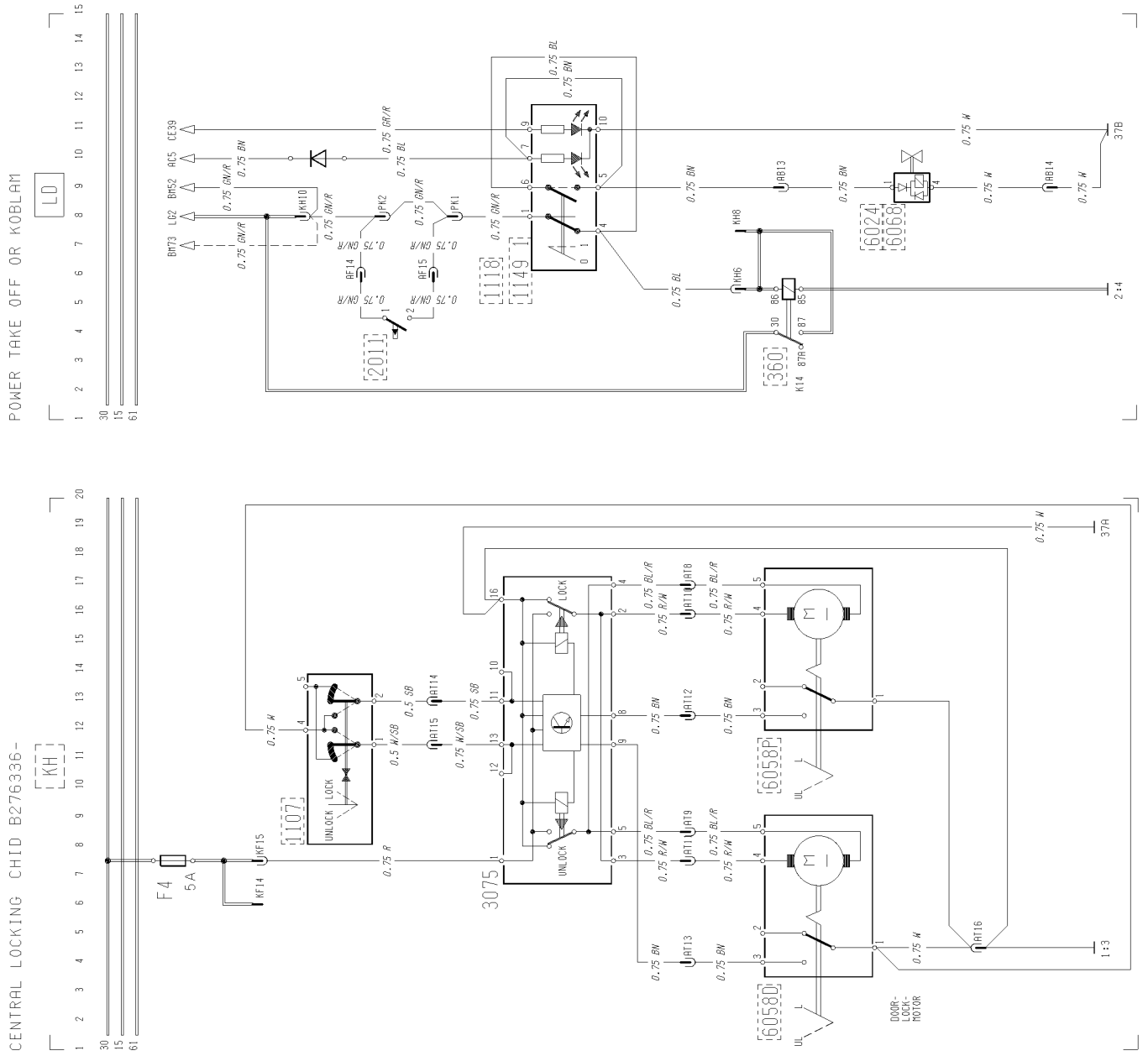
SRS. AIR-BAG



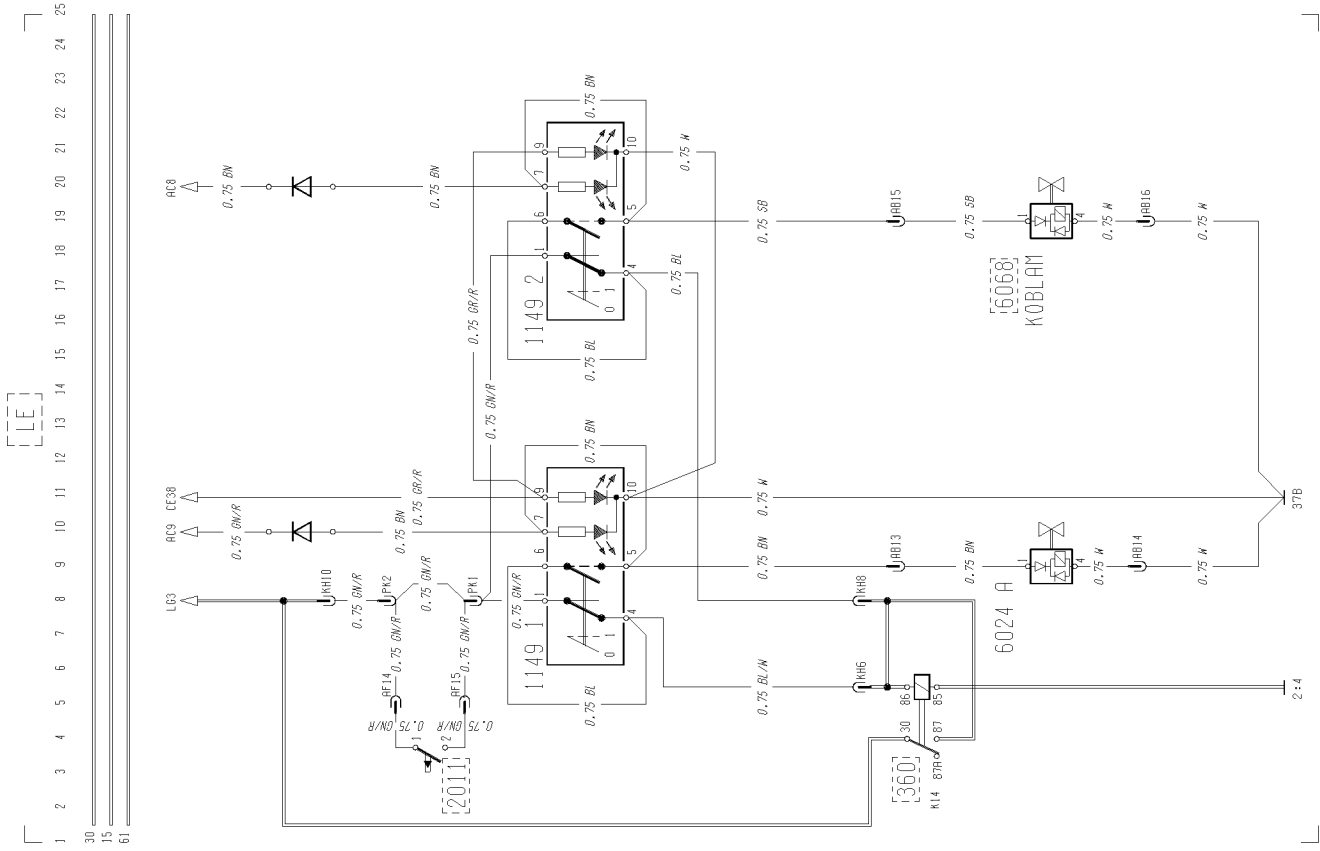
CENTRAL LOCKING CH10-B276335



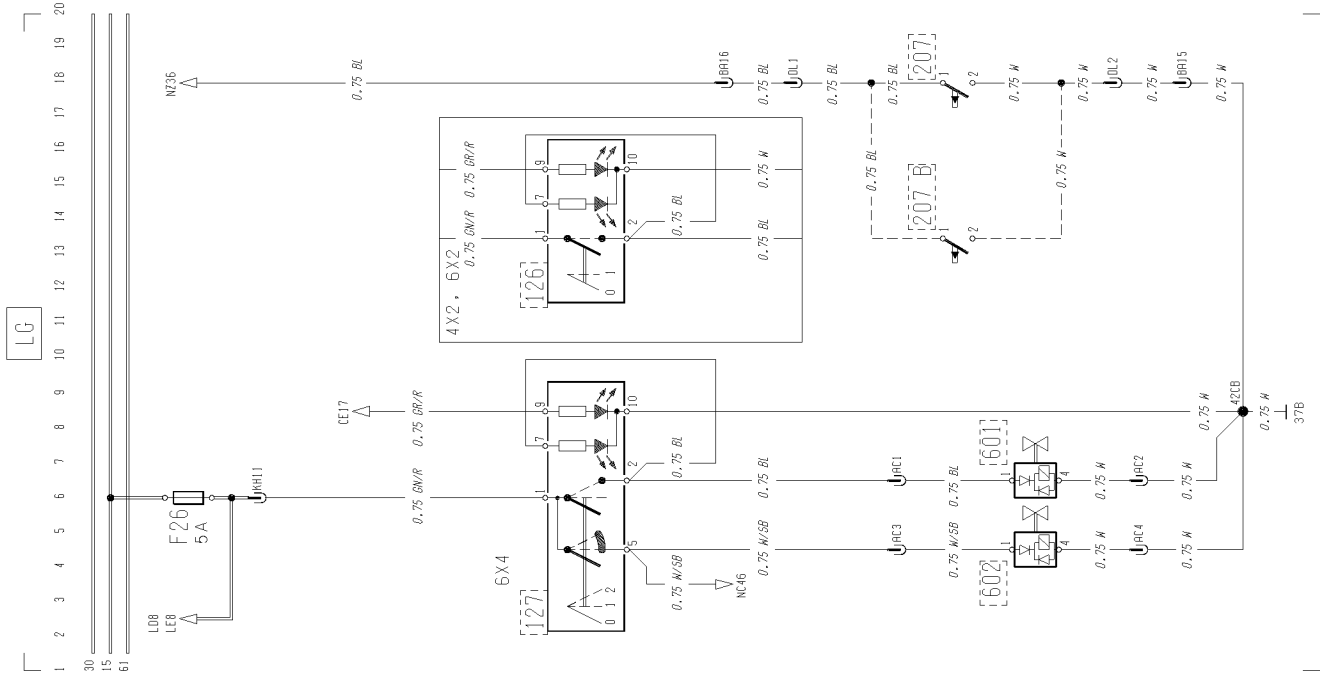




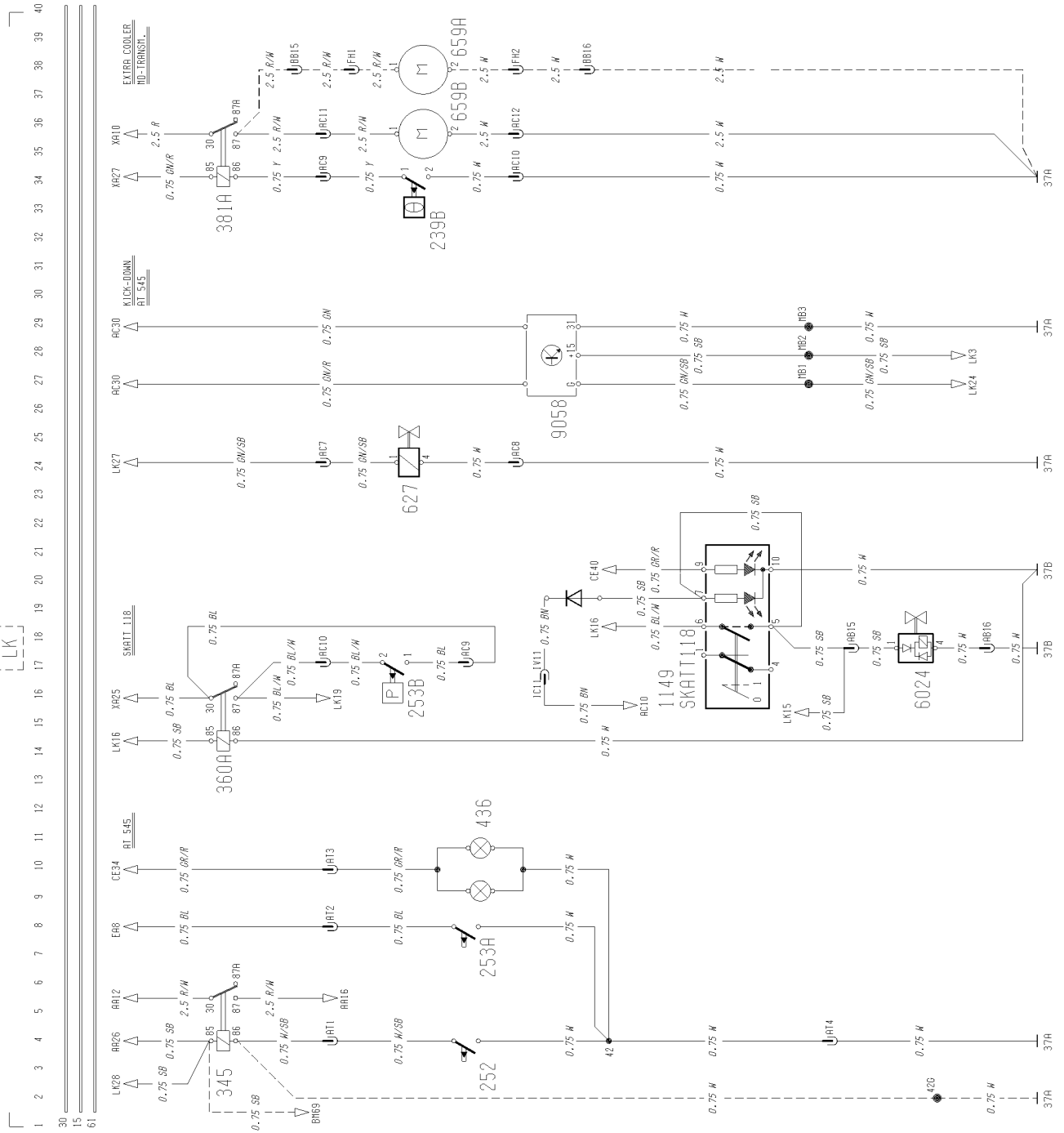
POWER TAKE OFF AND KOBLAM



DIFF. LOCK



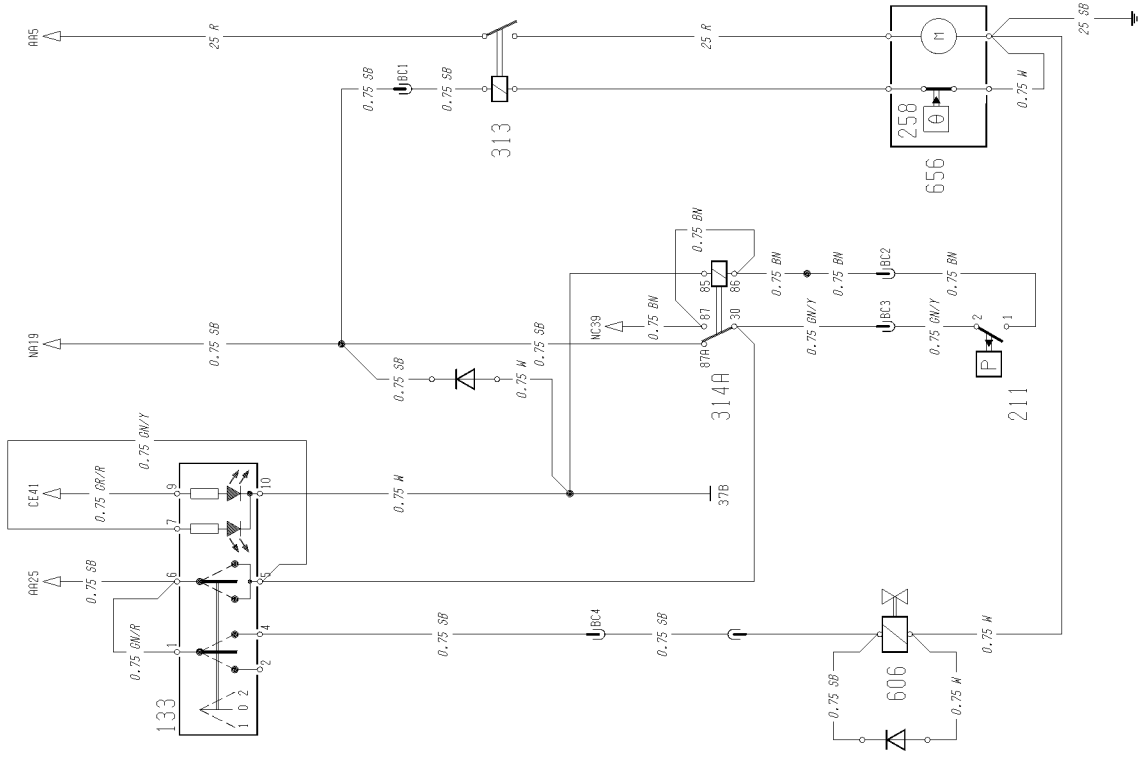
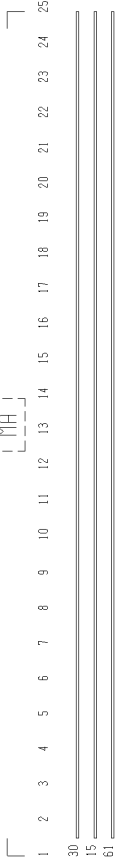
AUTOMATIC GEARBOX



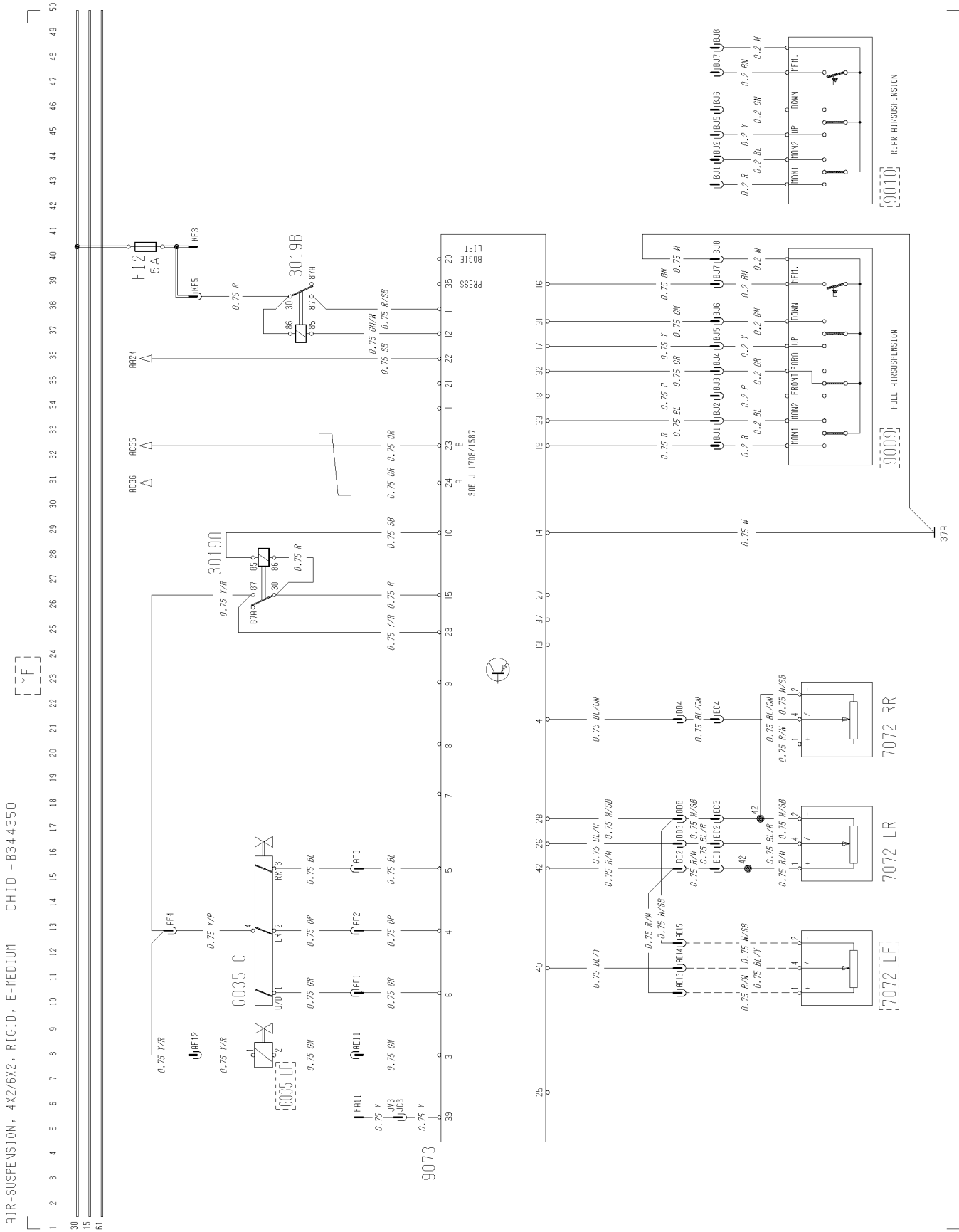
T3015467

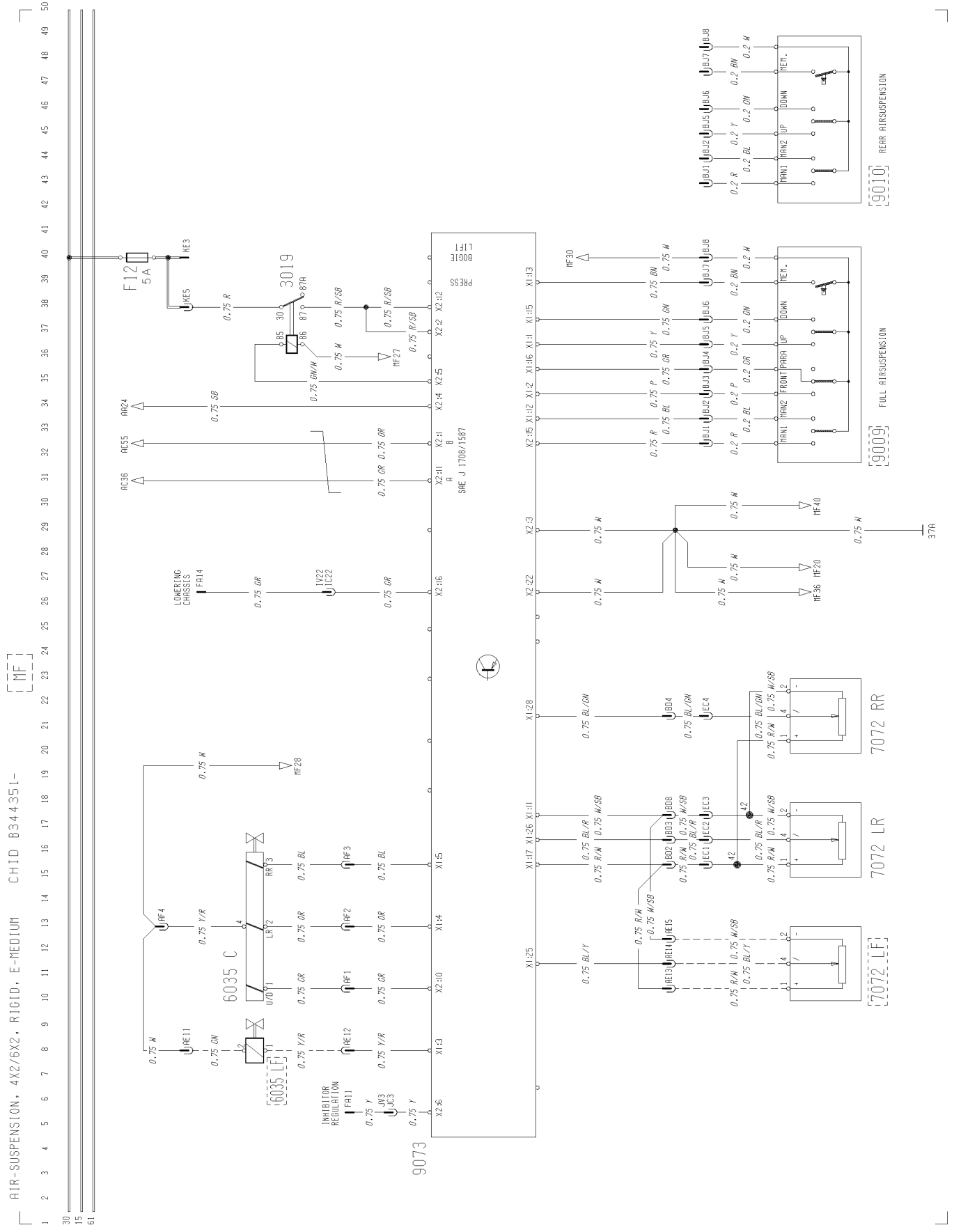
BOGIE LIFT, R-RIDE

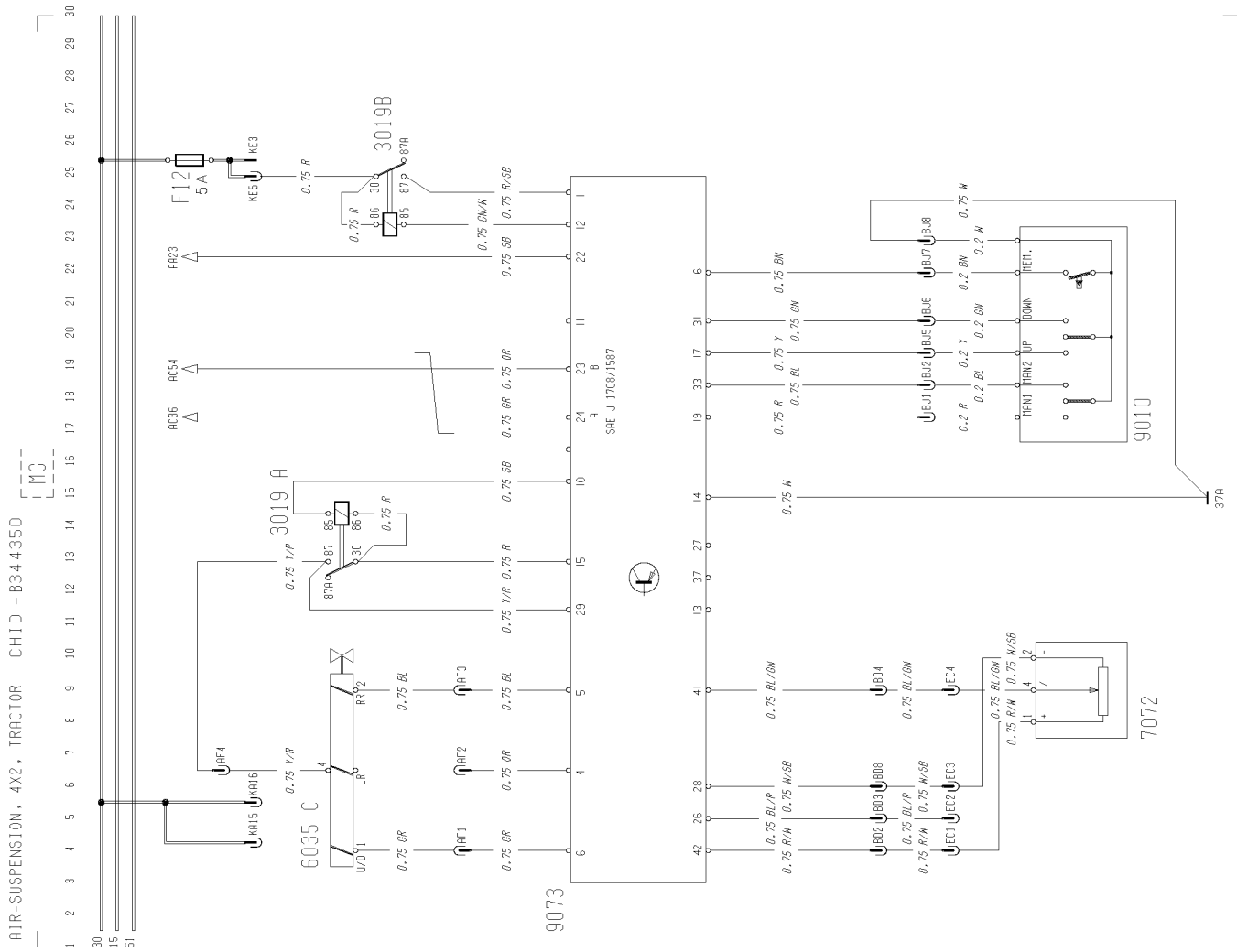
MA

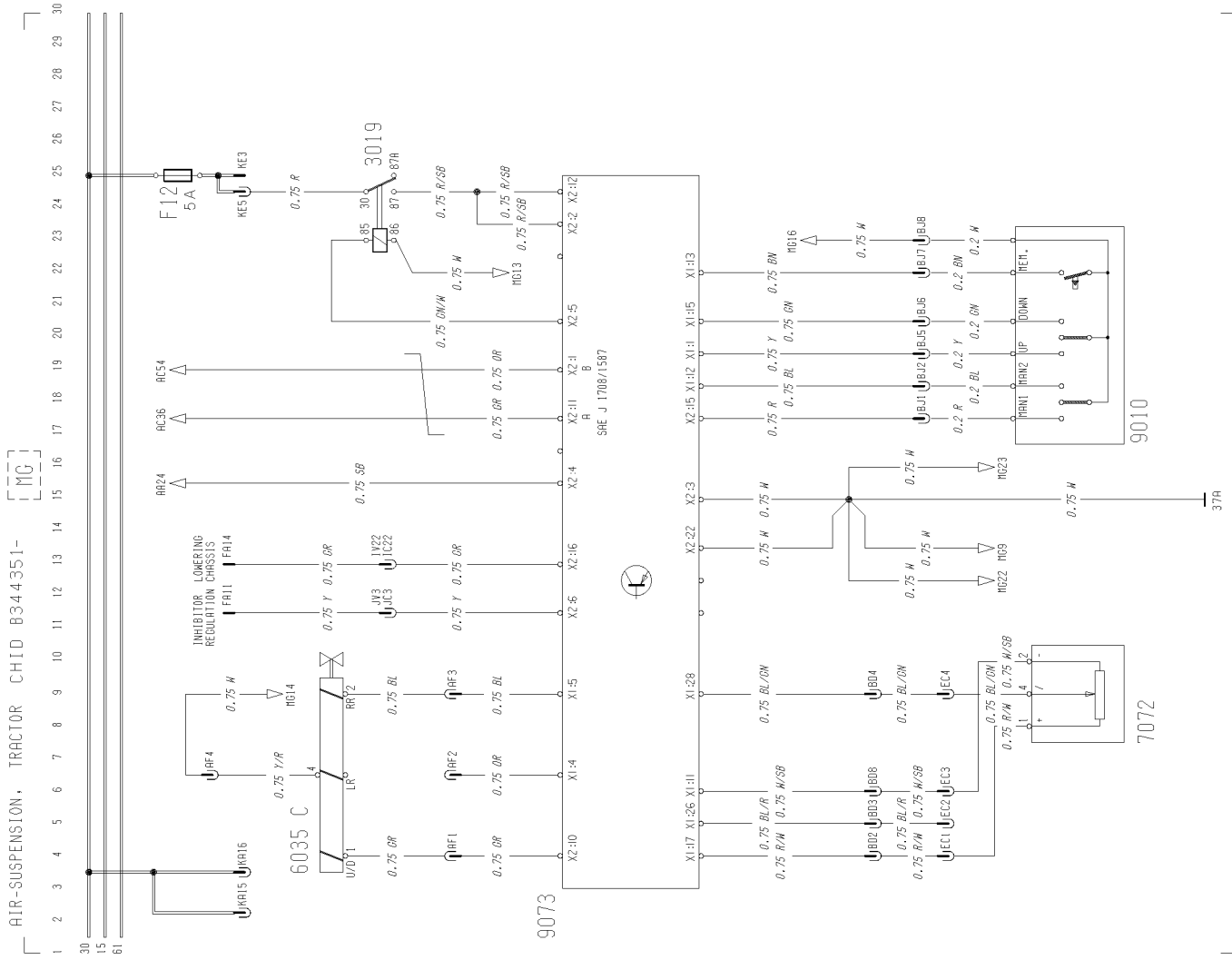


T3015468



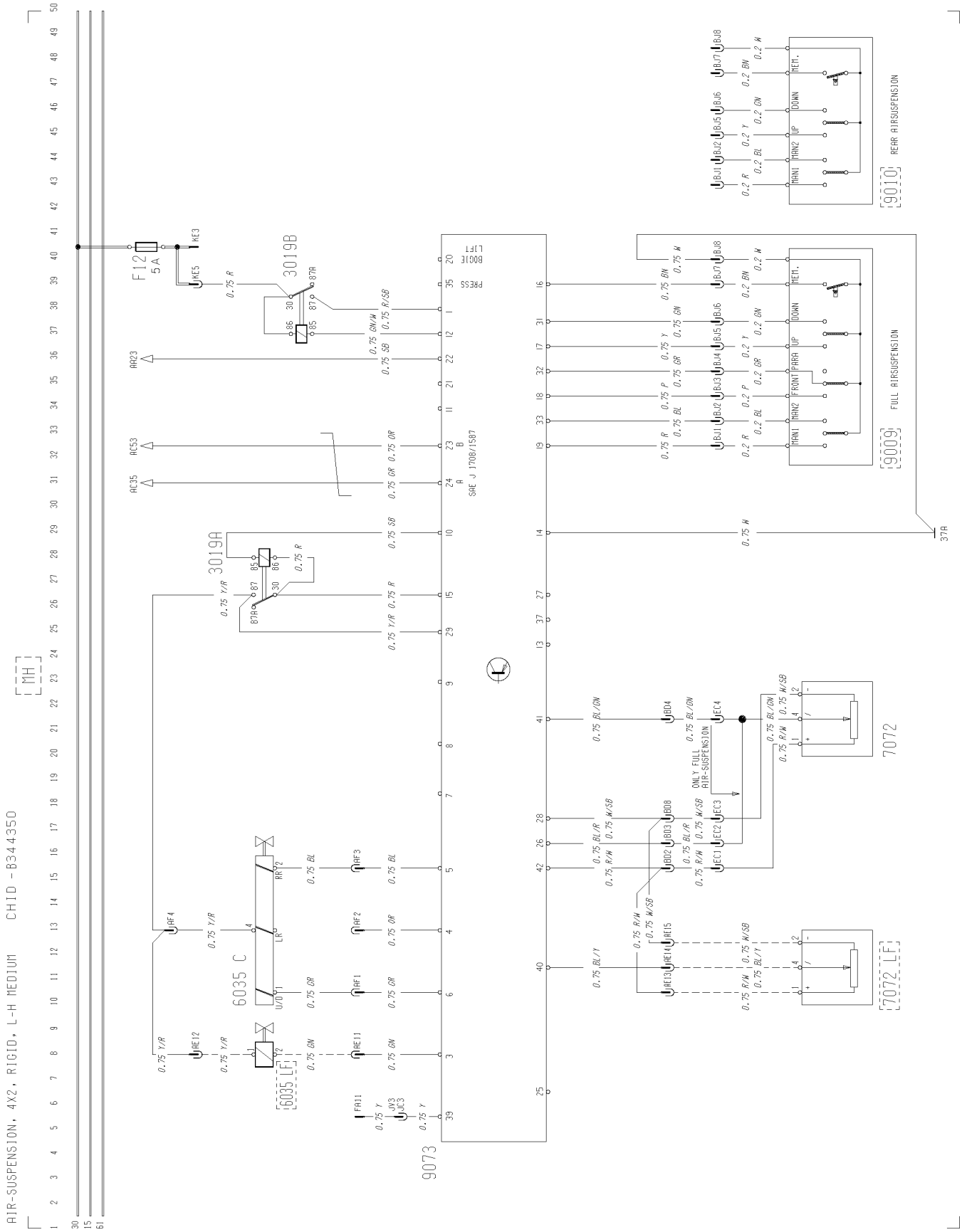






T3017188





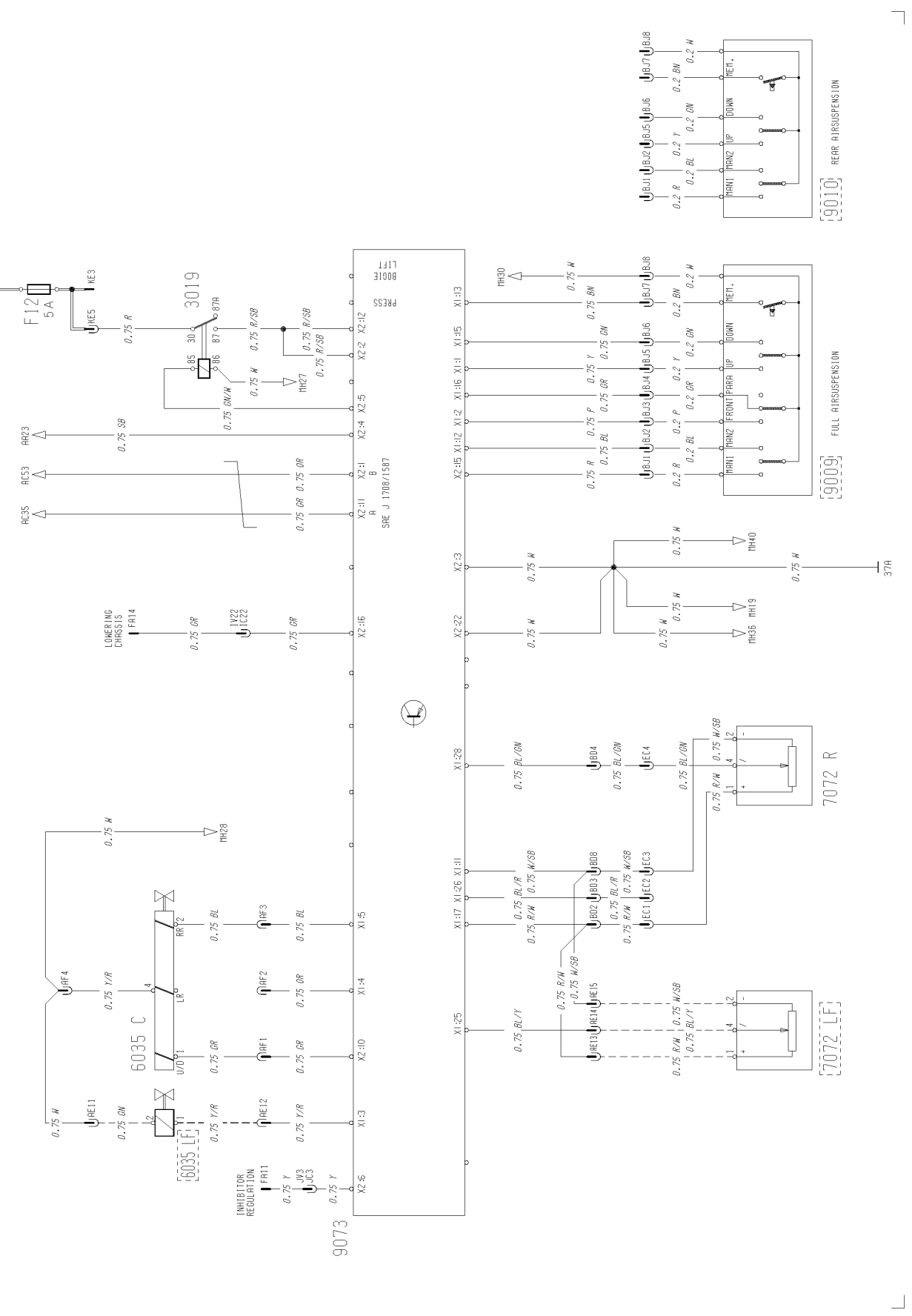
1 2 3 4 5 6 7 8 9 10 11 12 13 14 15 16 17 18 19 20 21 22 23 24 25 26 27 28 29 30 31 32 33 34 35 36 37 38 39 40 41 42 43 44 45 46 47 48 49 50

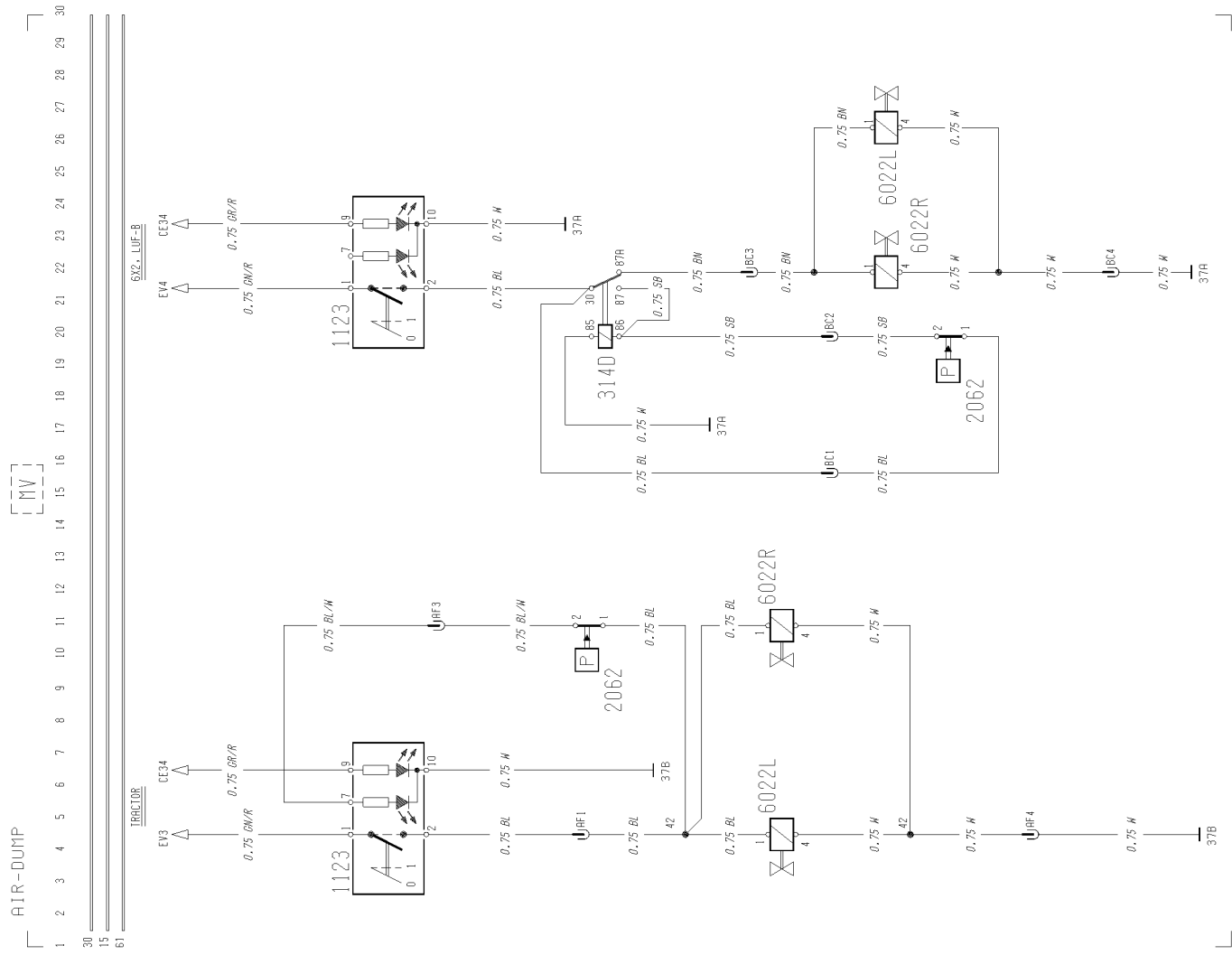
30  
15  
61

[MH]

CHID B344351-

AIR-SUSPENSION, 4X2, RIGID, L-H MEDIUM



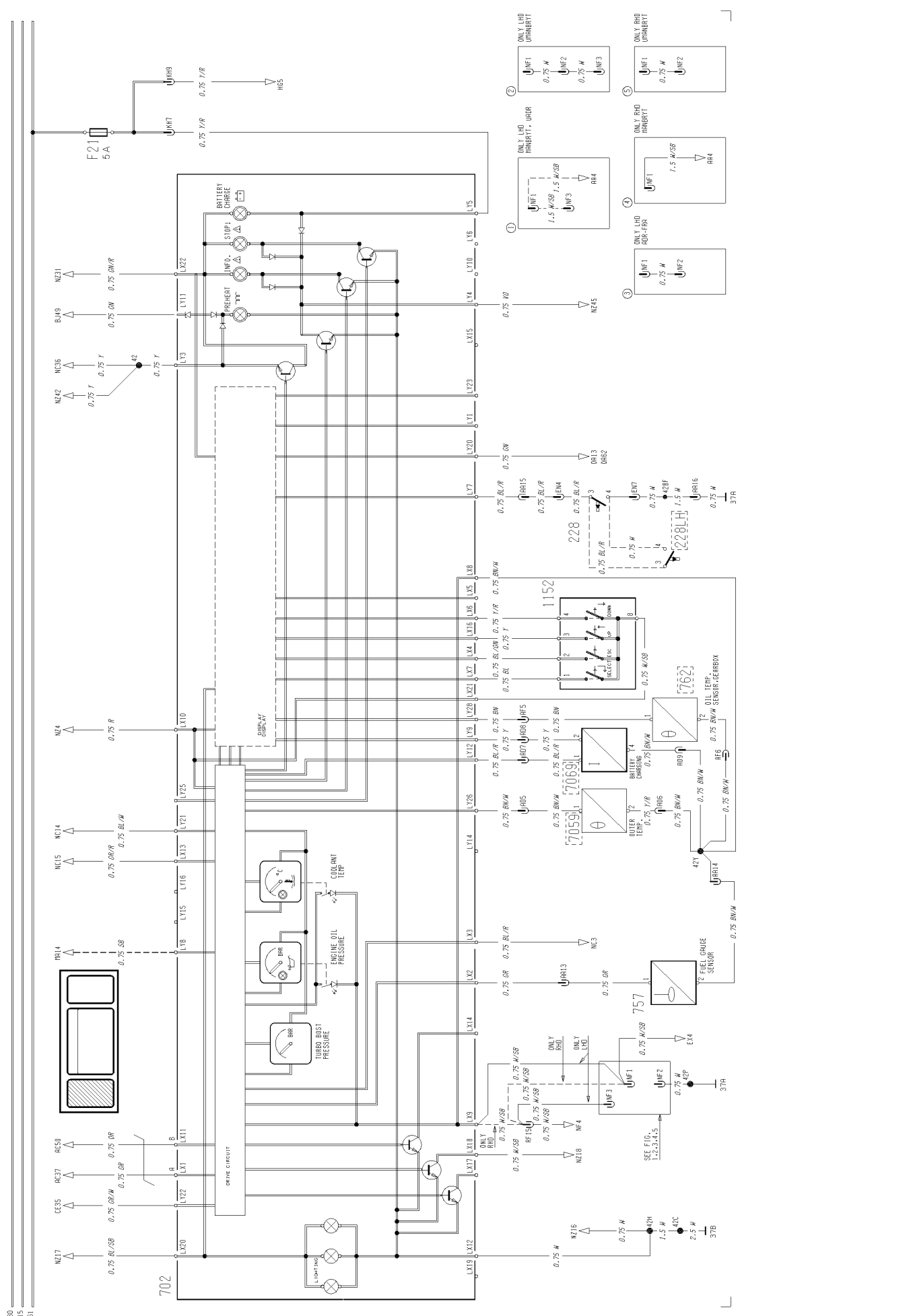


T3017191

INSTRUMENT, LHS. MODULE CHID -8356223

NA

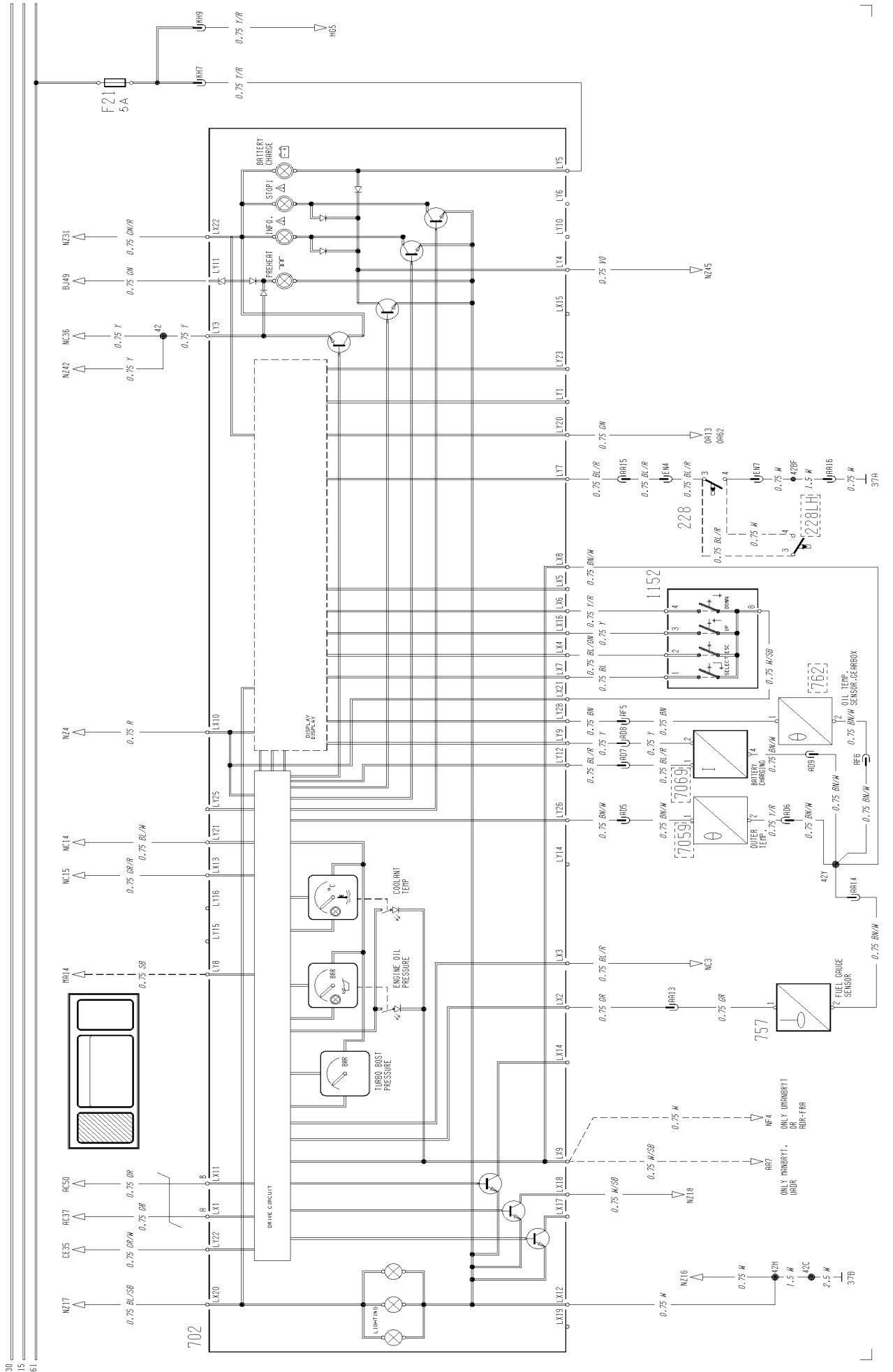
1 2 3 4 5 6 7 8 9 10 11 12 13 14 15 16 17 18 19 20 21 22 23 24 25 26 27 28 29 30 31 32 33 34 35 36 37 38 39 40 41 42 43 44 45 46 47 48 49 50 51 52 53 54 55 56 57 58 59 60 61 62 63 64 65



INSTRUMENT, LHS. MODULE CHID 8356224-

NA

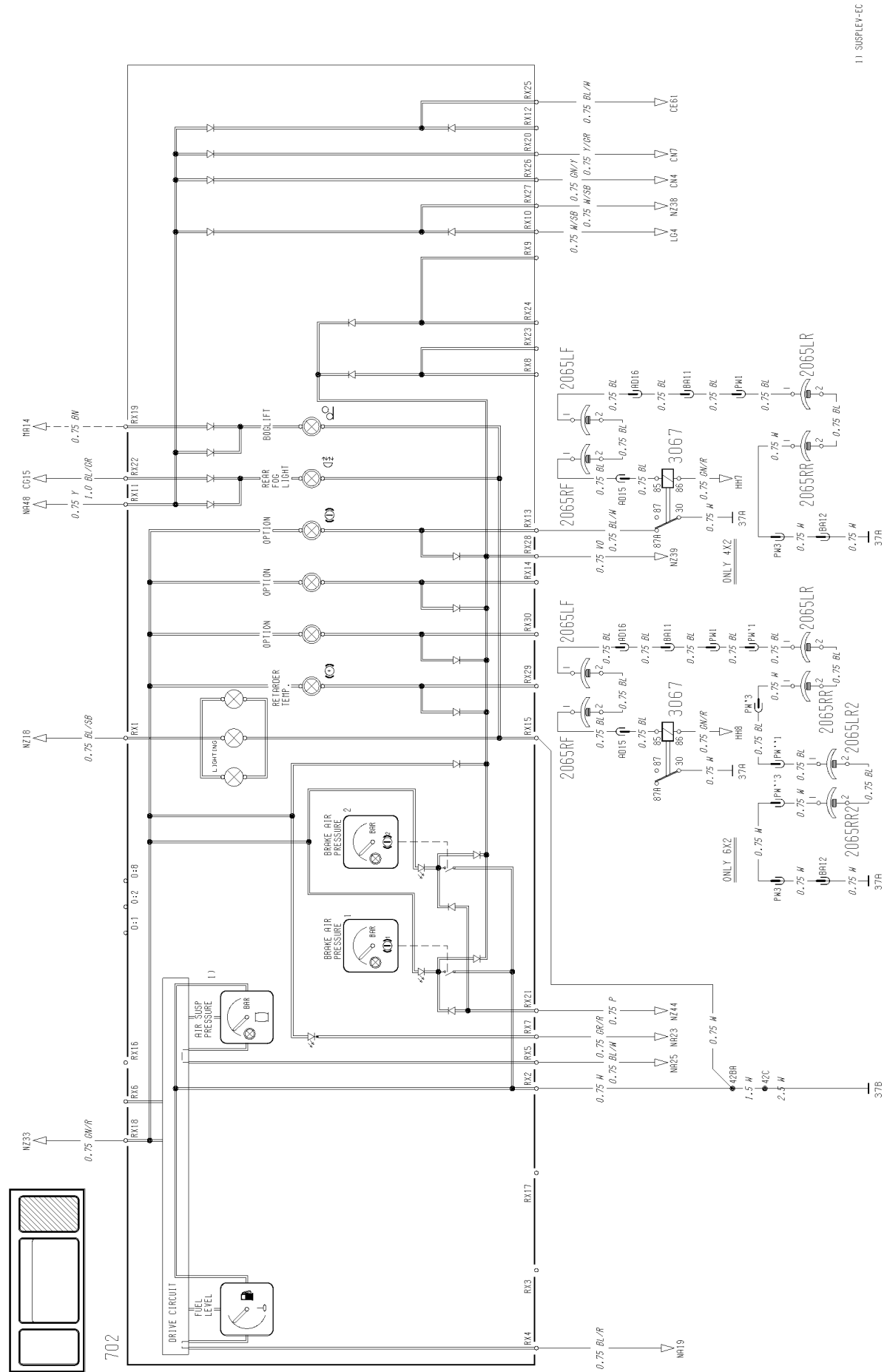
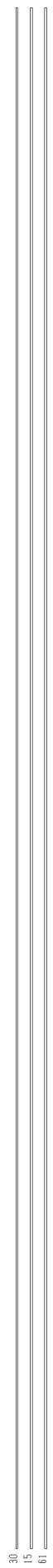
1 2 3 4 5 6 7 8 9 10 11 12 13 14 15 16 17 18 19 20 21 22 23 24 25 26 27 28 29 30 31 32 33 34 35 36 37 38 39 40 41 42 43 44 45 46 47 48 49 50 51 52 53 54 55 56 57 58 59 60 61 62



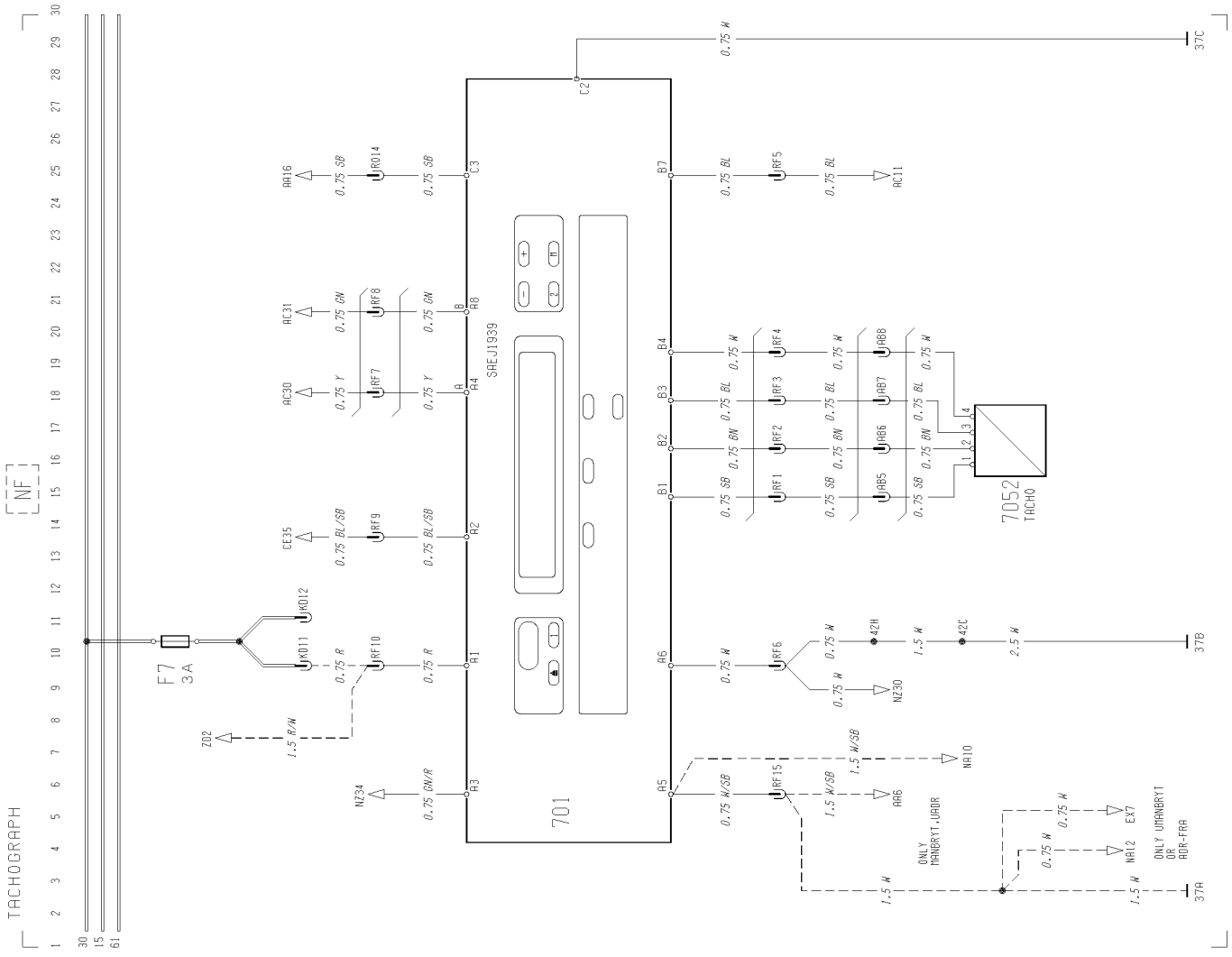
INSTRUMENT, RHS. MODULE.

NC

1 2 3 4 5 6 7 8 9 10 11 12 13 14 15 16 17 18 19 20 21 22 23 24 25 26 27 28 29 30 31 32 33 34 35 36 37 38 39 40 41 42 43 44 45 46 47 48 49 50 51 52 53 54 55

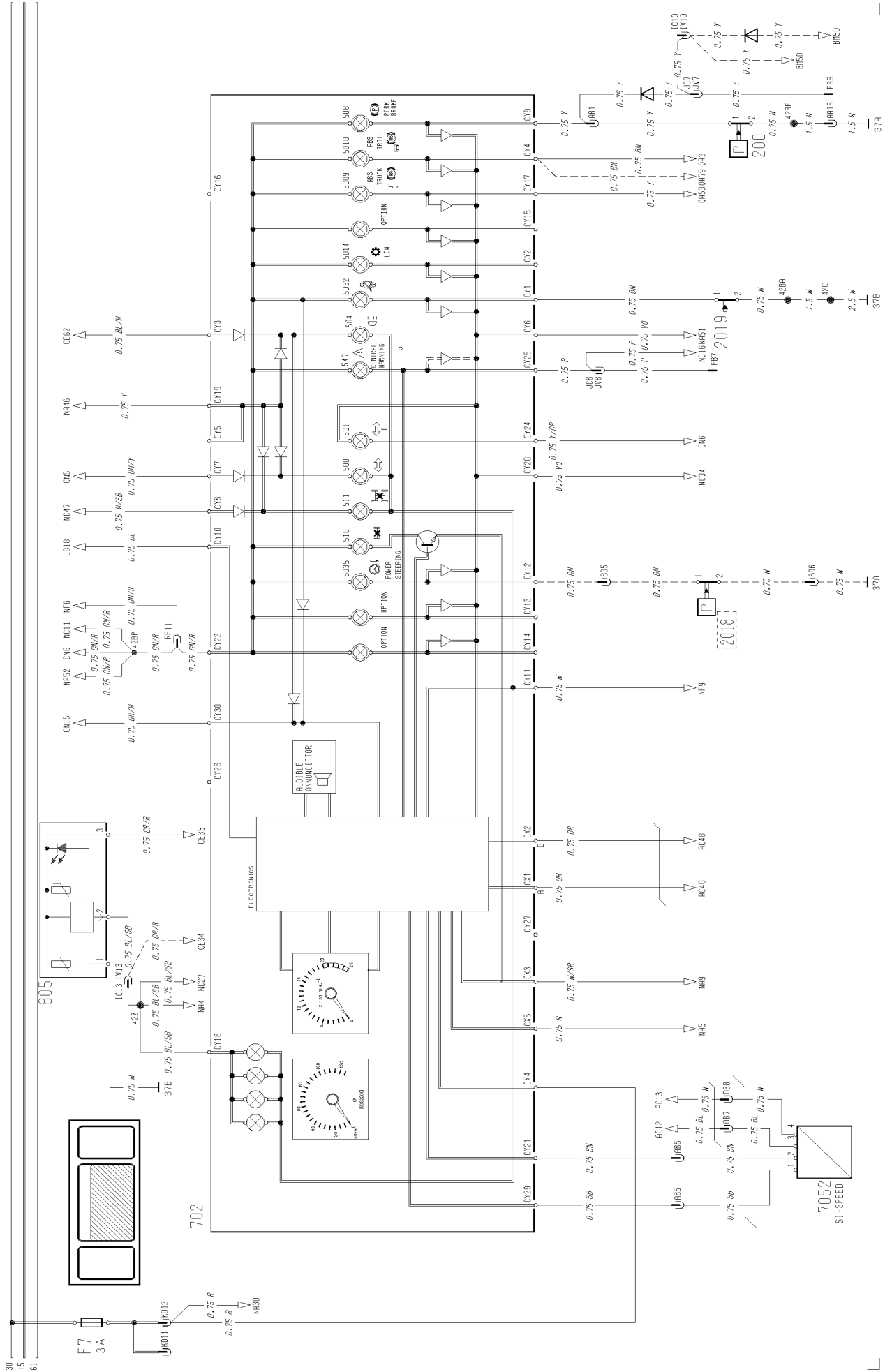


11 SUSPLEV-EC



T3017194

1 2 3 4 5 6 7 8 9 10 11 12 13 14 15 16 17 18 19 20 21 22 23 24 25 26 27 28 29 30 31 32 33 34 35 36 37 38 39 40 41 42 43 44 45 46 47 48 49 50 51 52 53 54 55 56 57 58

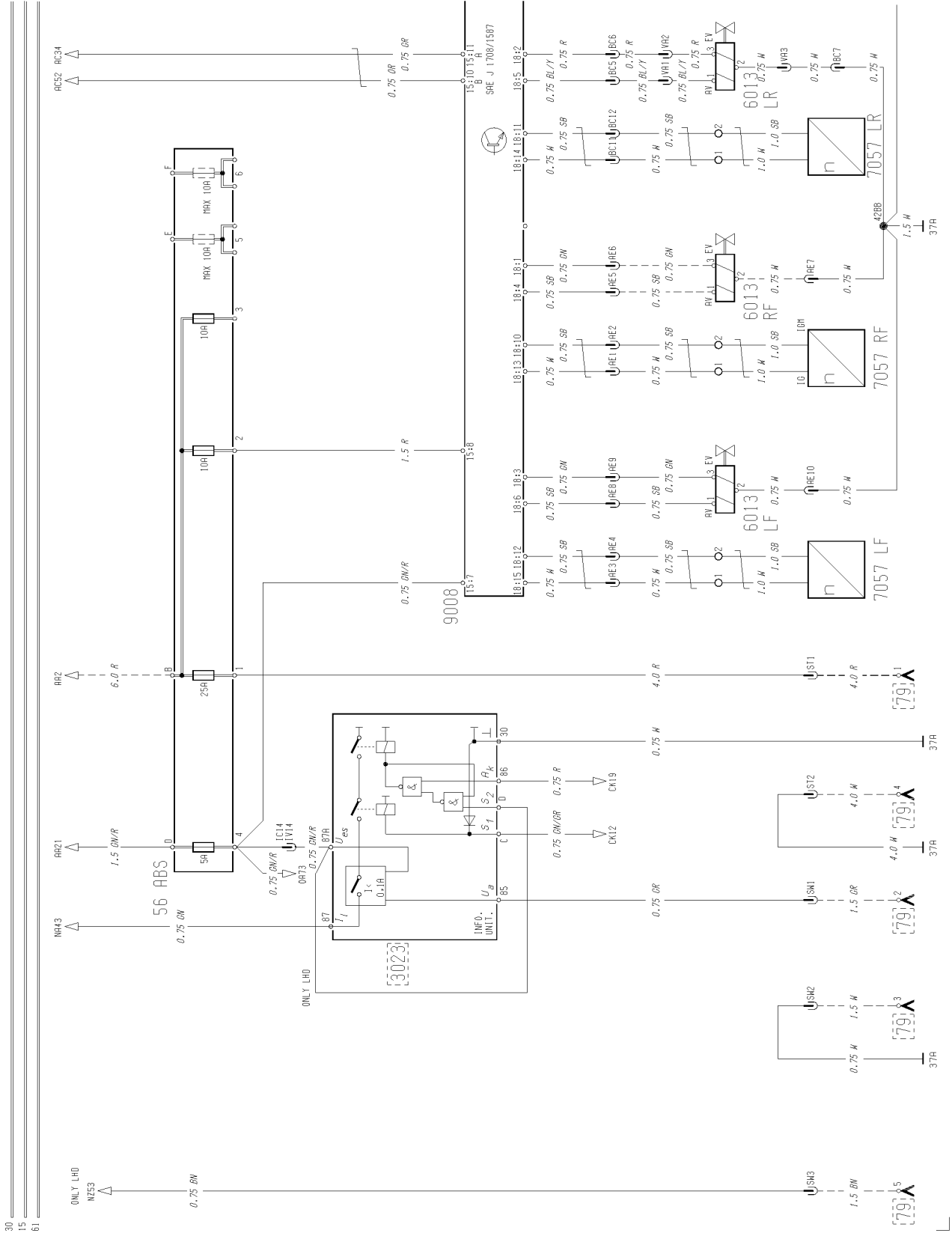




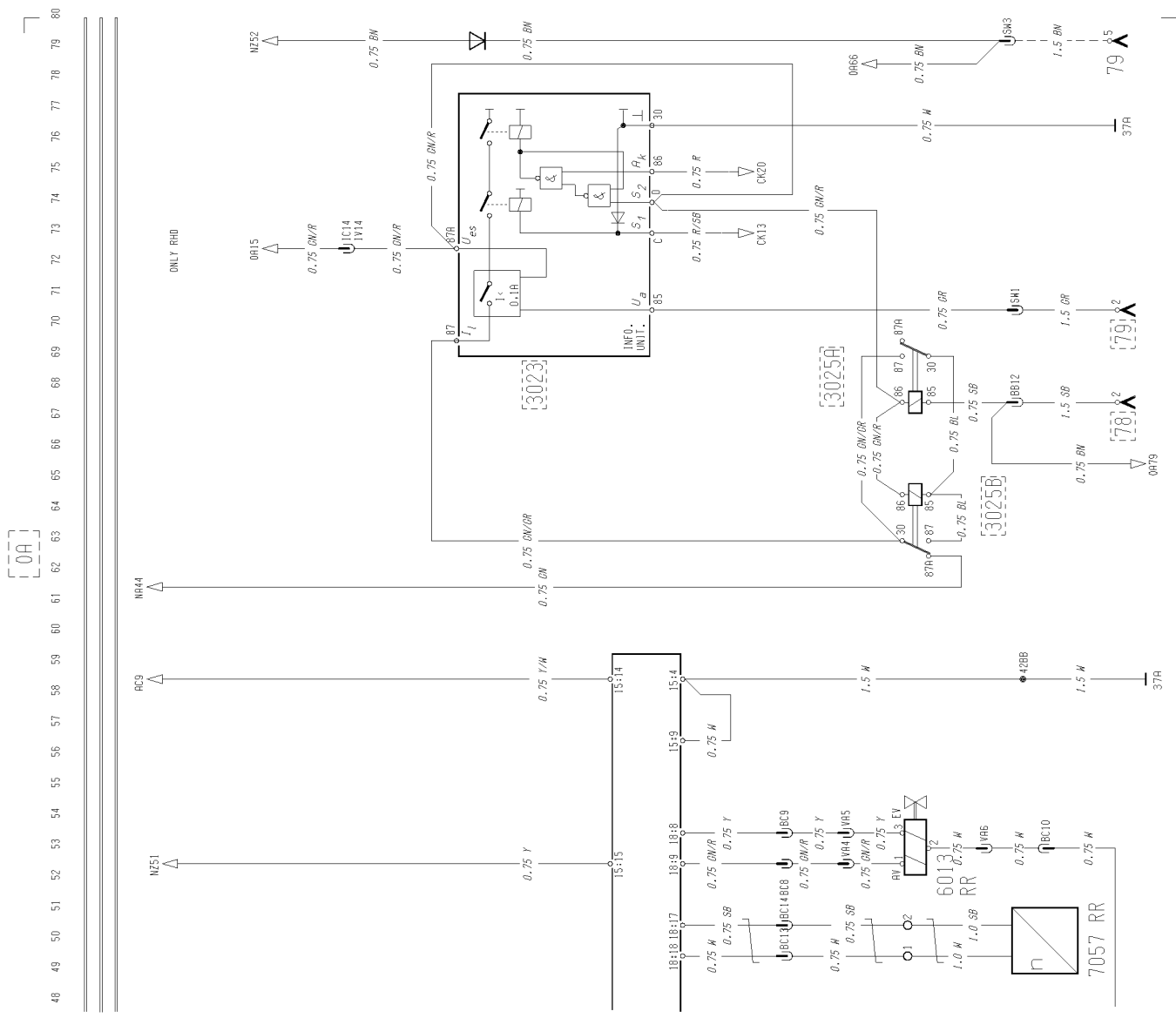


BASIC ABS... D-VERSION

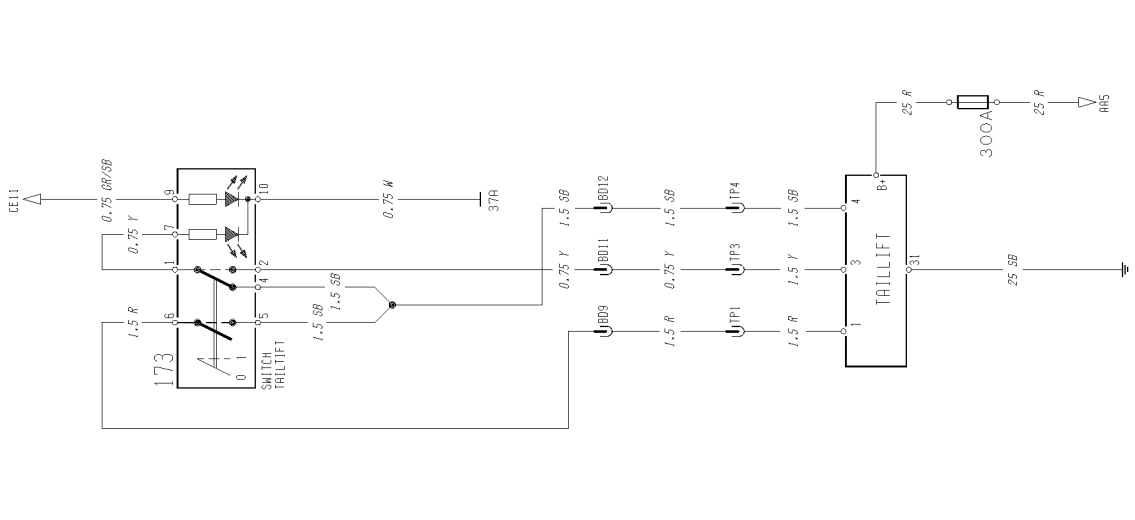
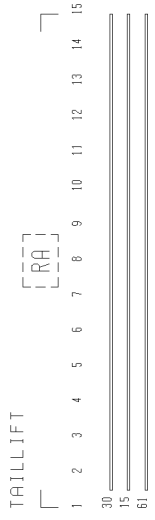
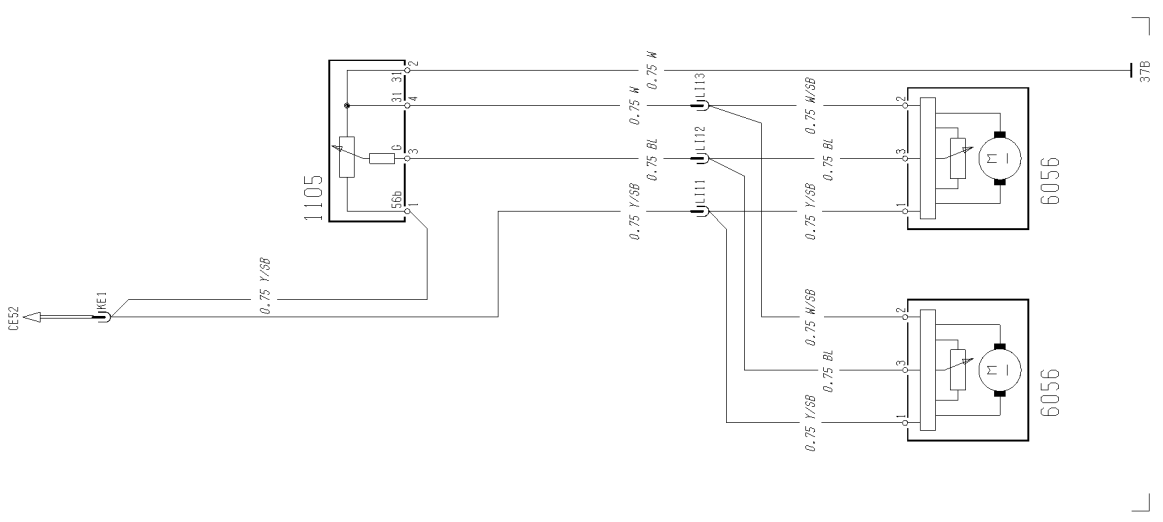
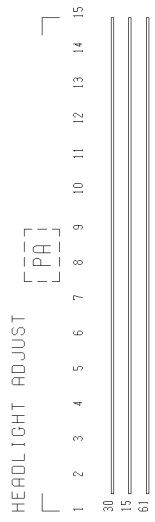
1 2 3 4 5 6 7 8 9 10 11 12 13 14 15 16 17 18 19 20 21 22 23 24 25 26 27 28 29 30 31 32 33 34 35 36 37 38 39 40 41 42 43 44 45 46 47



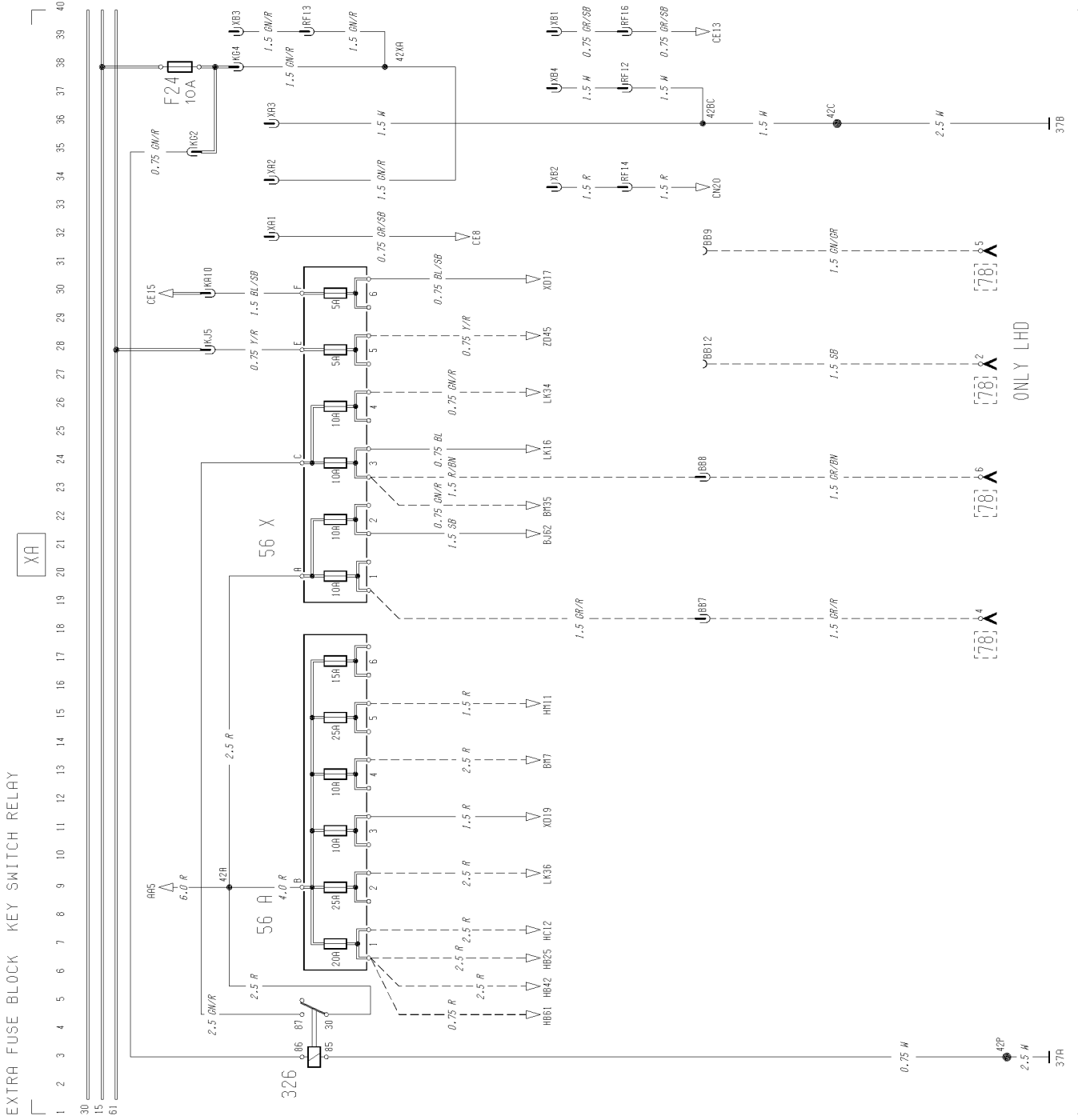
T3017196



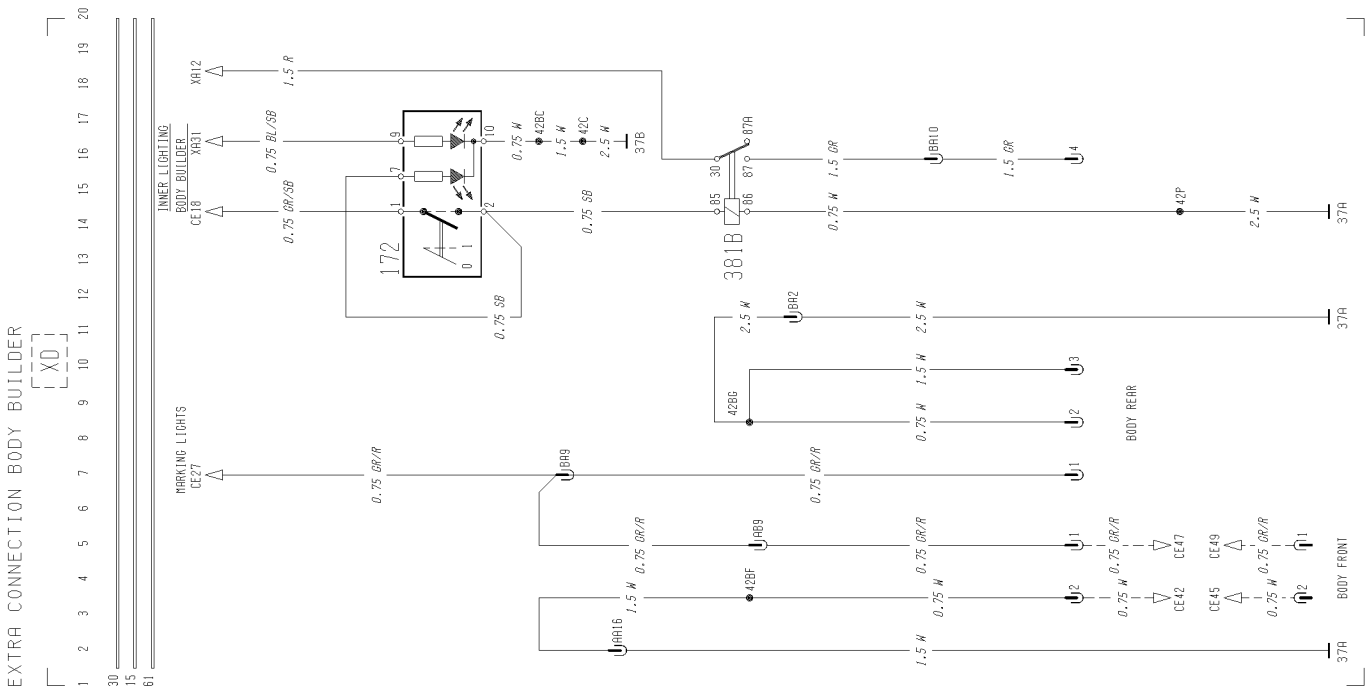
T3017197



T3015473



T3017198

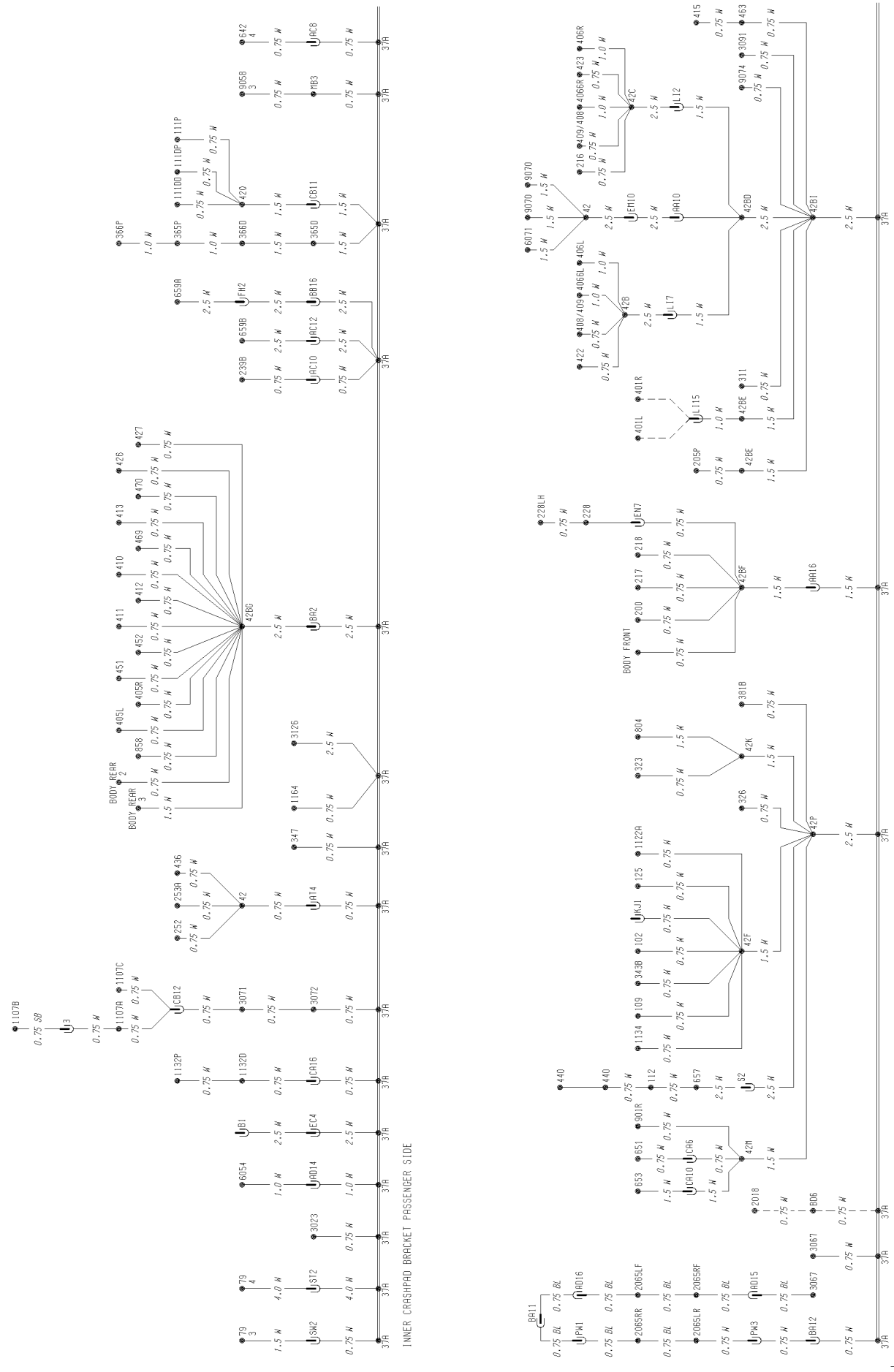


T3017199



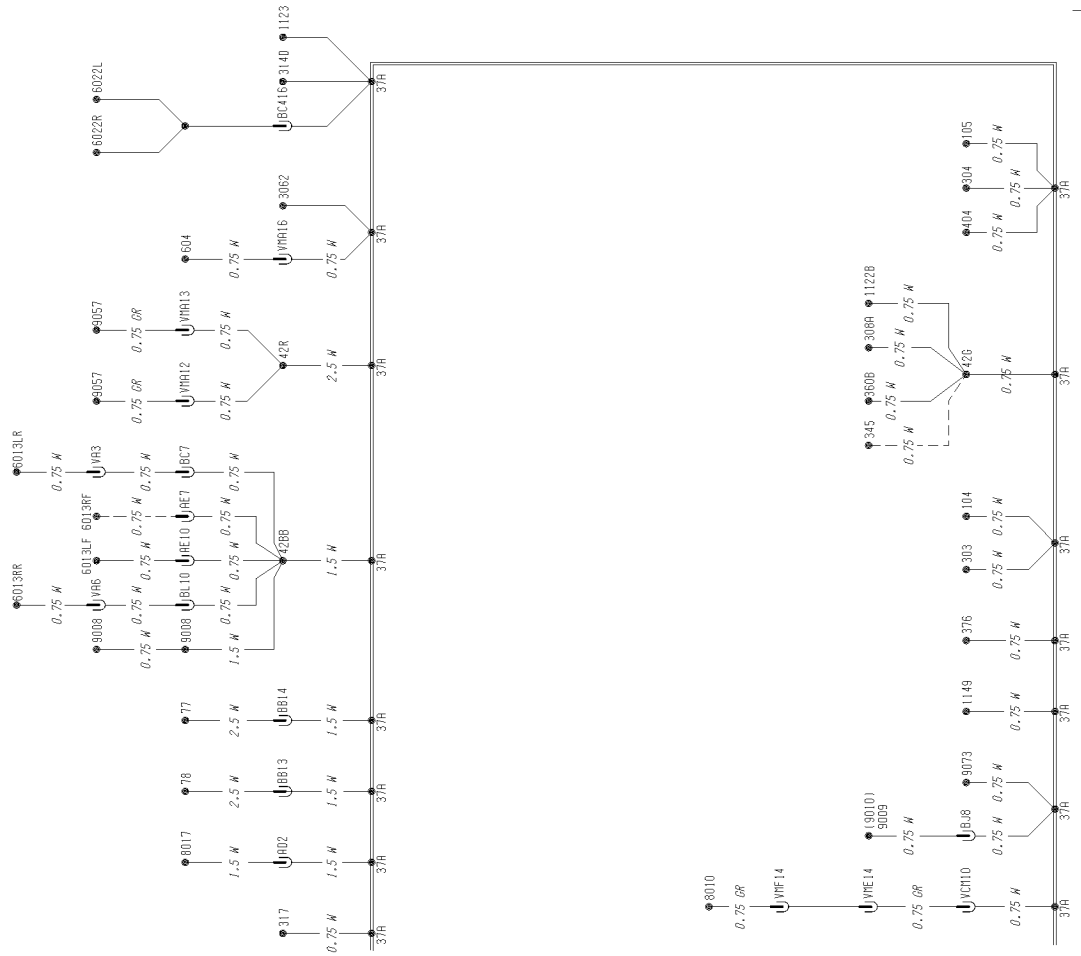
ZA

1 2 3 4 5 6 7 8 9 10 11 12 13 14 15 16 17 18 19 20 21 22 23 24 25 26 27 28 29 30 31 32 33 34 35 36 37 38 39 40 41 42 43 44 45 46 47 48 49 50 51 52 53





54 55 56 57 58 59 60 61 62 63 64 65 66 67 68 69 70 71 72 73 74 75 76 77 78 79 80

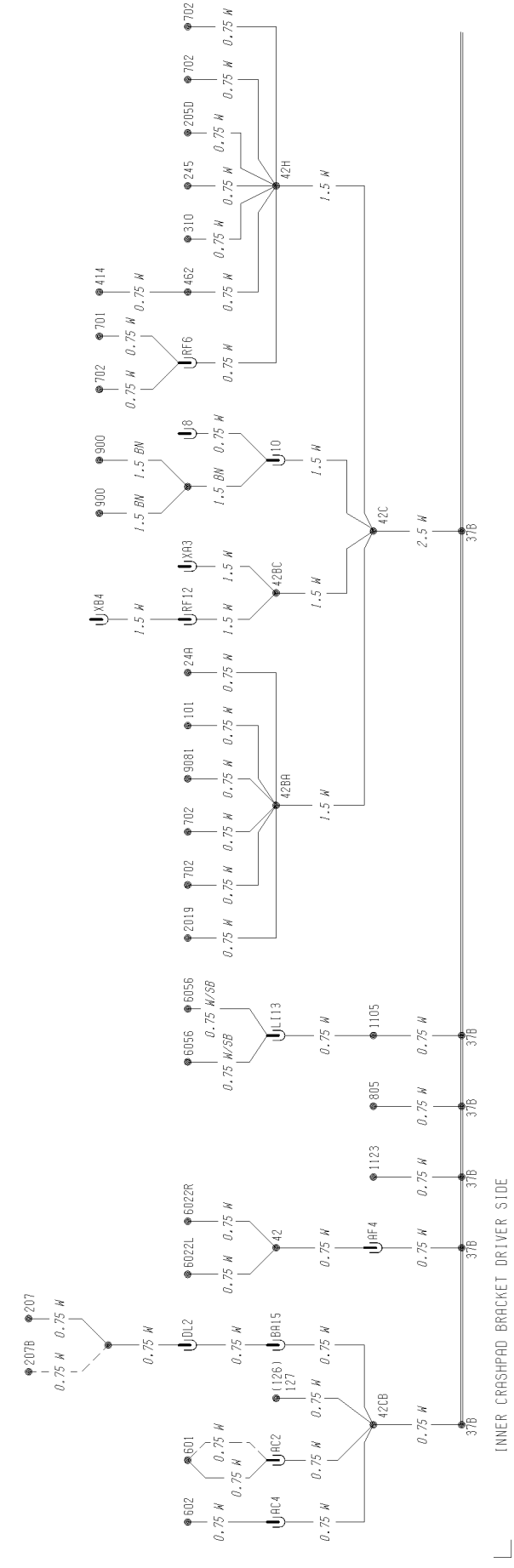
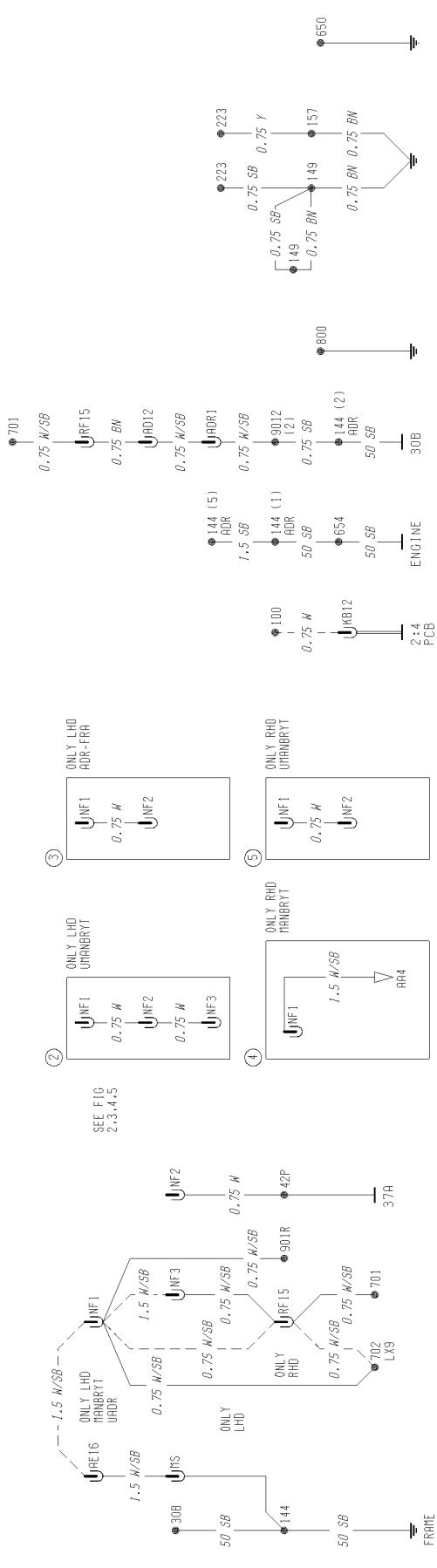


T3017201

EARTH CONNECTIONS CHID -B356223

ZB

1 2 3 4 5 6 7 8 9 10 11 12 13 14 15 16 17 18 19 20 21 22 23 24 25 26 27 28 29 30 31 32 33 34 35 36 37 38 39 40 41 42 43 44



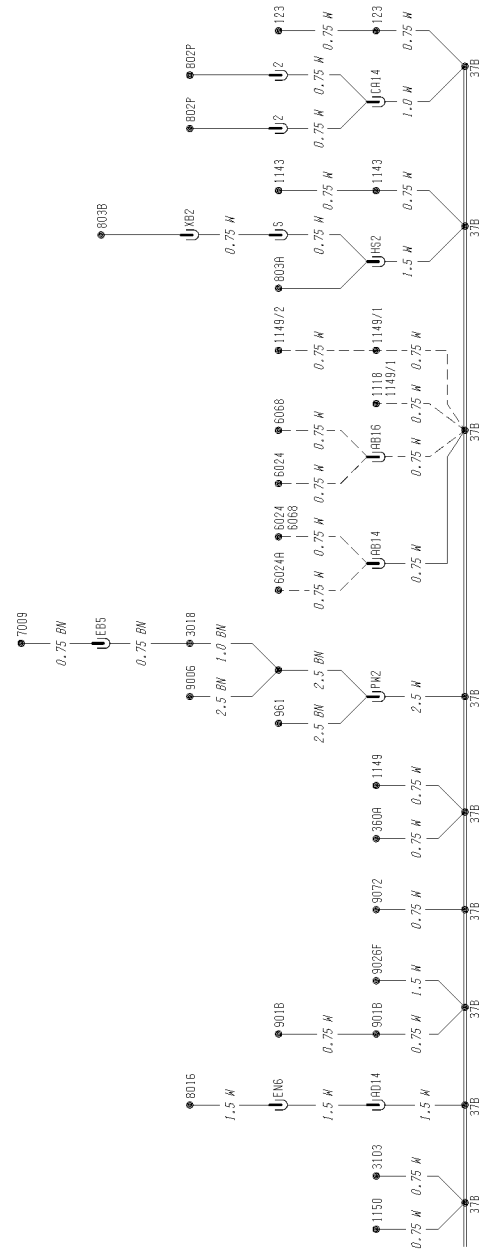
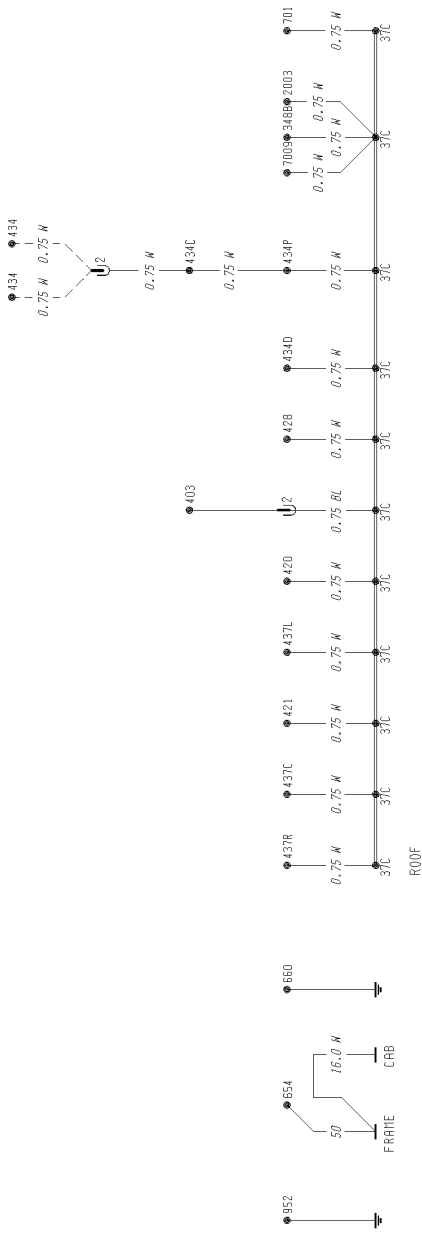




CHID B356224-

ZB

45 46 47 48 49 50 51 52 53 54 55 56 57 58 59 60 61 62 63 64 65 66 67 68 69 70 71 72 73 74 75 76 77 78 79 80

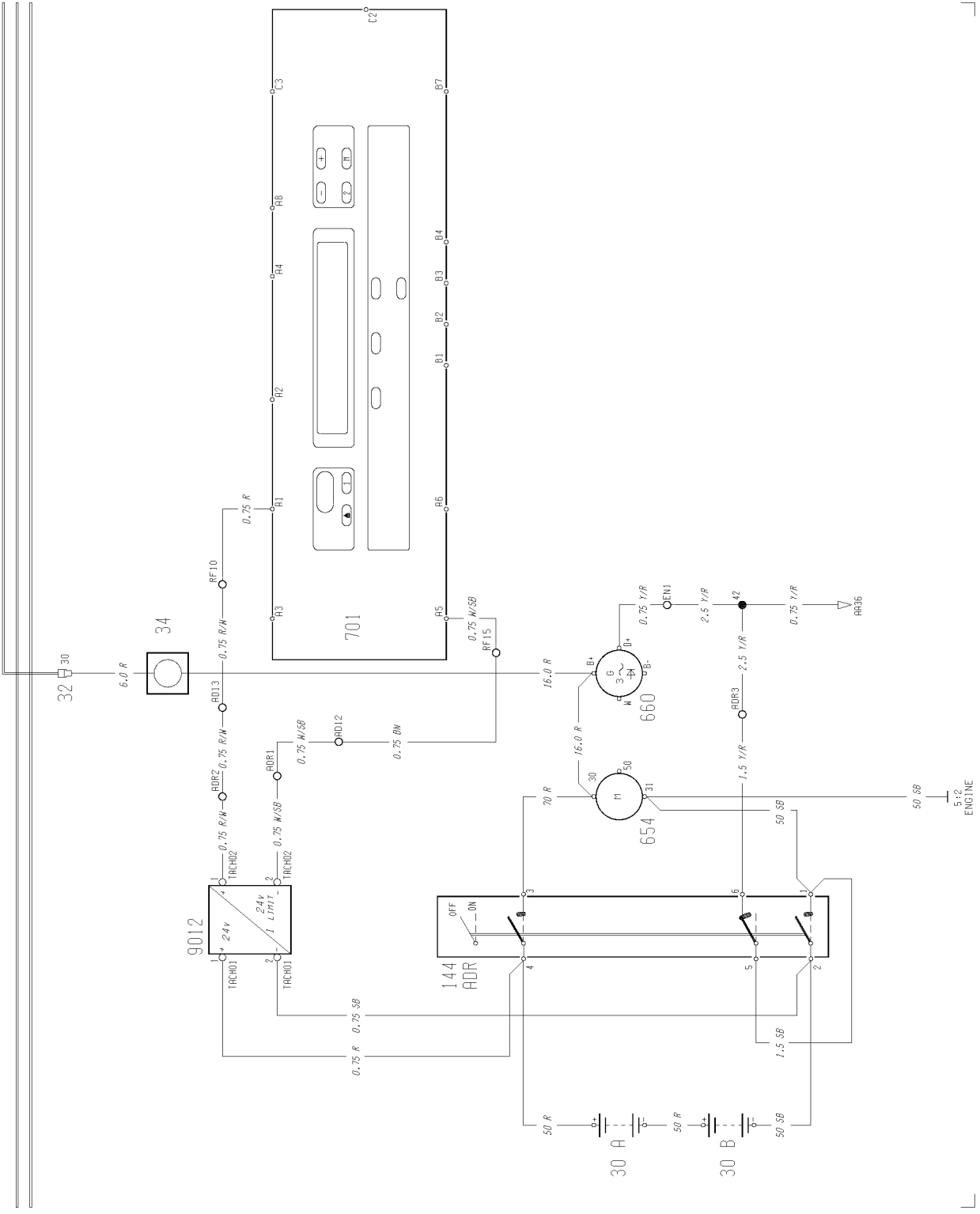


T3017205

ADR, MAIN SWITCH, CURRENT LIMITER CHID - 8340450

ZD

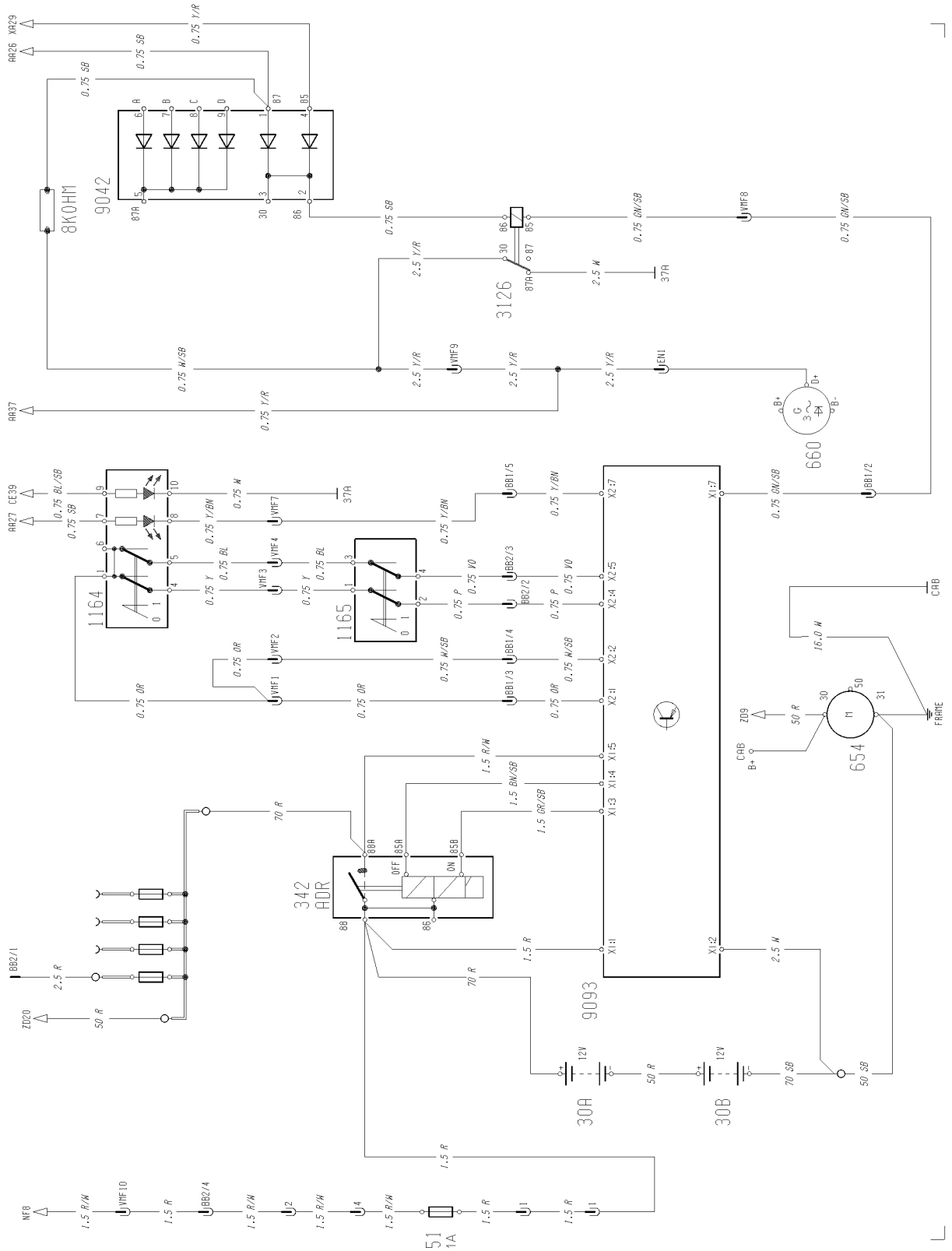
1 2 3 4 5 6 7 8 9 10 11 12 13 14 15 16 17 18 19 20 21 22 23 24 25 26 27 28 29 30 31 32 33 34 35 36 37 38 39 40 41 42 43 44 45



ADR, MAIN SWITCH CHID B340451-

ZD

1 2 3 4 5 6 7 8 9 10 11 12 13 14 15 16 17 18 19 20 21 22 23 24 25 26 27 28 29 30 31 32 33 34 35 36 37 38 39 40 41 42 43 44 45



T3017207

## Illustrations index LHD

-	Indicator lamps and switches .....	page 63
-	Earth connections .....	page 64
-	Battery cables .....	page 88
-	Battery cables, ADR .....	page 89
1000	Cable harness, instruments .....	page 65
1006	Cable harness, cab, upper .....	page 69
1017	Cable harness, engine/cab heater .....	page 70
1018	Cable harness, air conditioning .....	page 72
1020	Cable harness, cowl .....	page 73
1030	Cable harness, engine .....	page 78
1031	Cable harness, automatic transmission, AT545 .....	page 80
1035	Cable harness, differential lock .....	page 83
1040	Cable harness, frame .....	page 81
1057	Cable harness, chassis .....	page 84
1077	Cable harness, side marking lamp .....	page 91
1435	Cable harness, battery master switch .....	page 87
1476	Cable harness, engine, cab .....	page 92

### Unique illustrations for ABS

Cable harness, cab .....	page 94
Cable harness, chassis .....	page 95

### Unique illustrations for ECS

Cable harness, cab .....	page 96
Cable harness, chassis .....	page 97

### Unique illustrations for PH-ENGCA

Cable harness, cab/chassis .....	page 98
----------------------------------	---------

### Unique illustrations for fuel filter heater

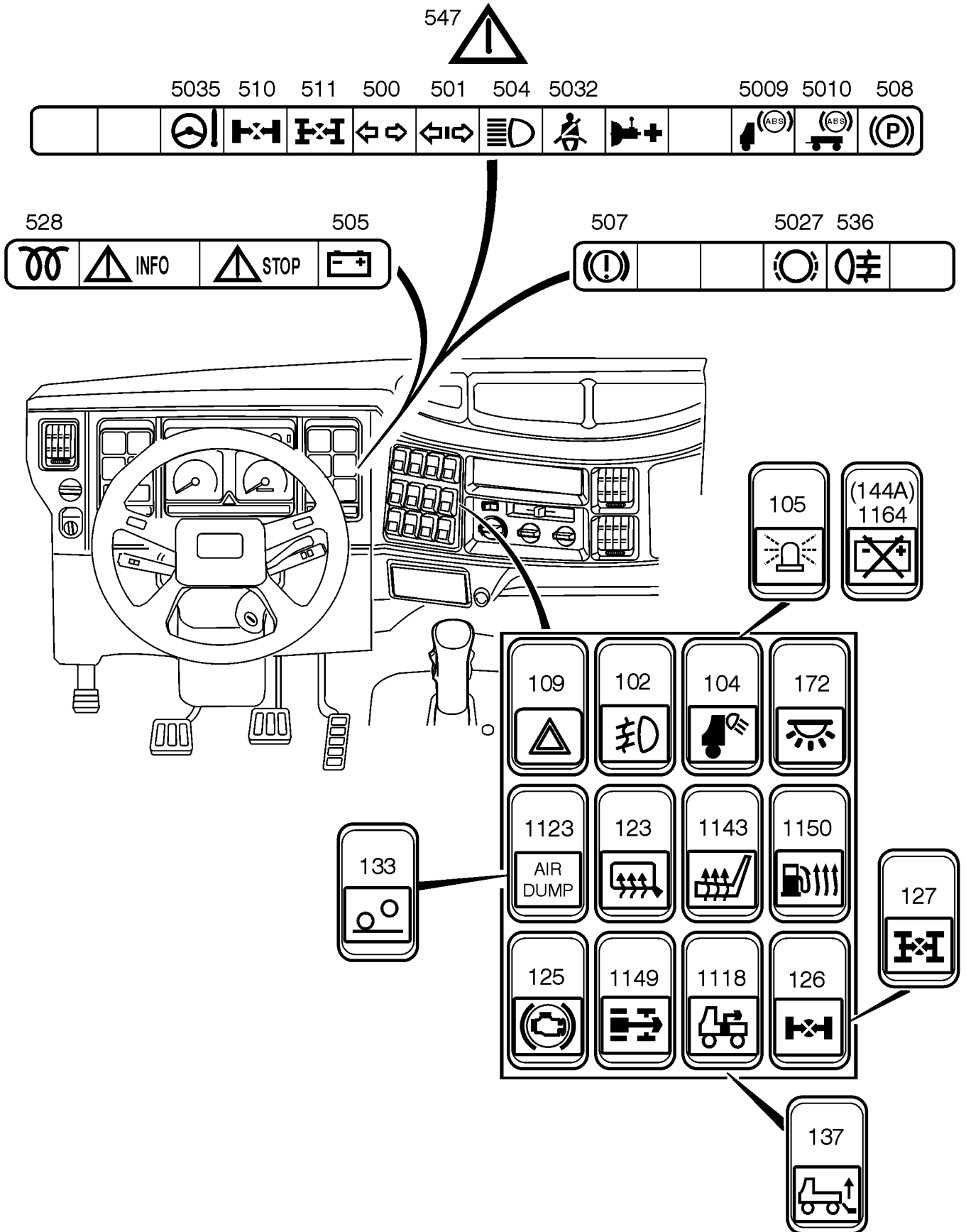
Cable harness, cab/chassis .....	page 99
----------------------------------	---------

### Unique illustrations for gearbox MD3060P5/MD3560P5

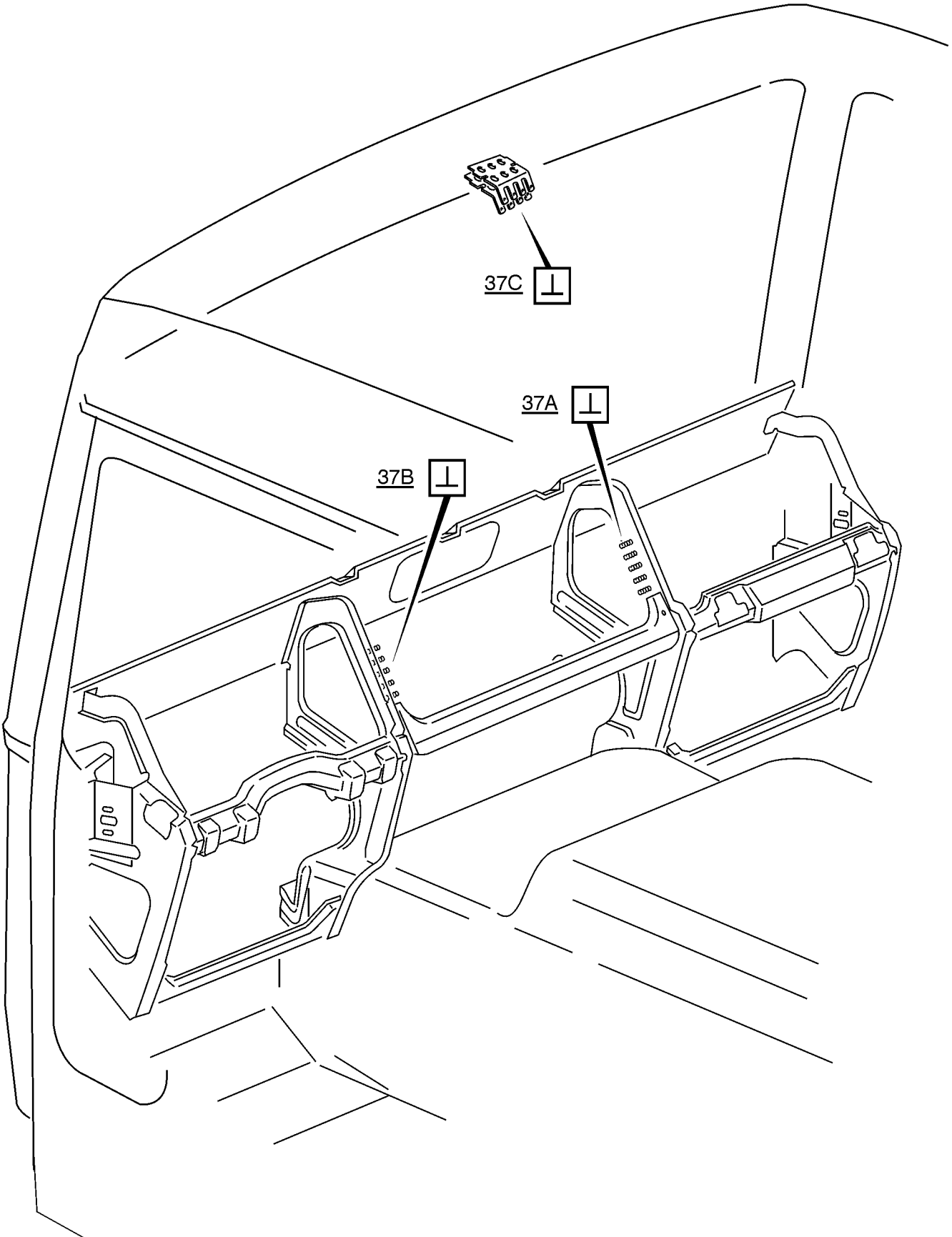
Cable harness, cab .....	page 100
Cable harness, chassis .....	page 101



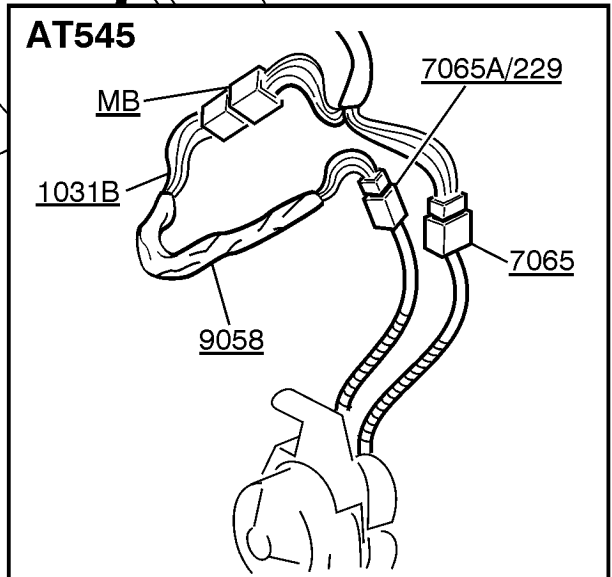
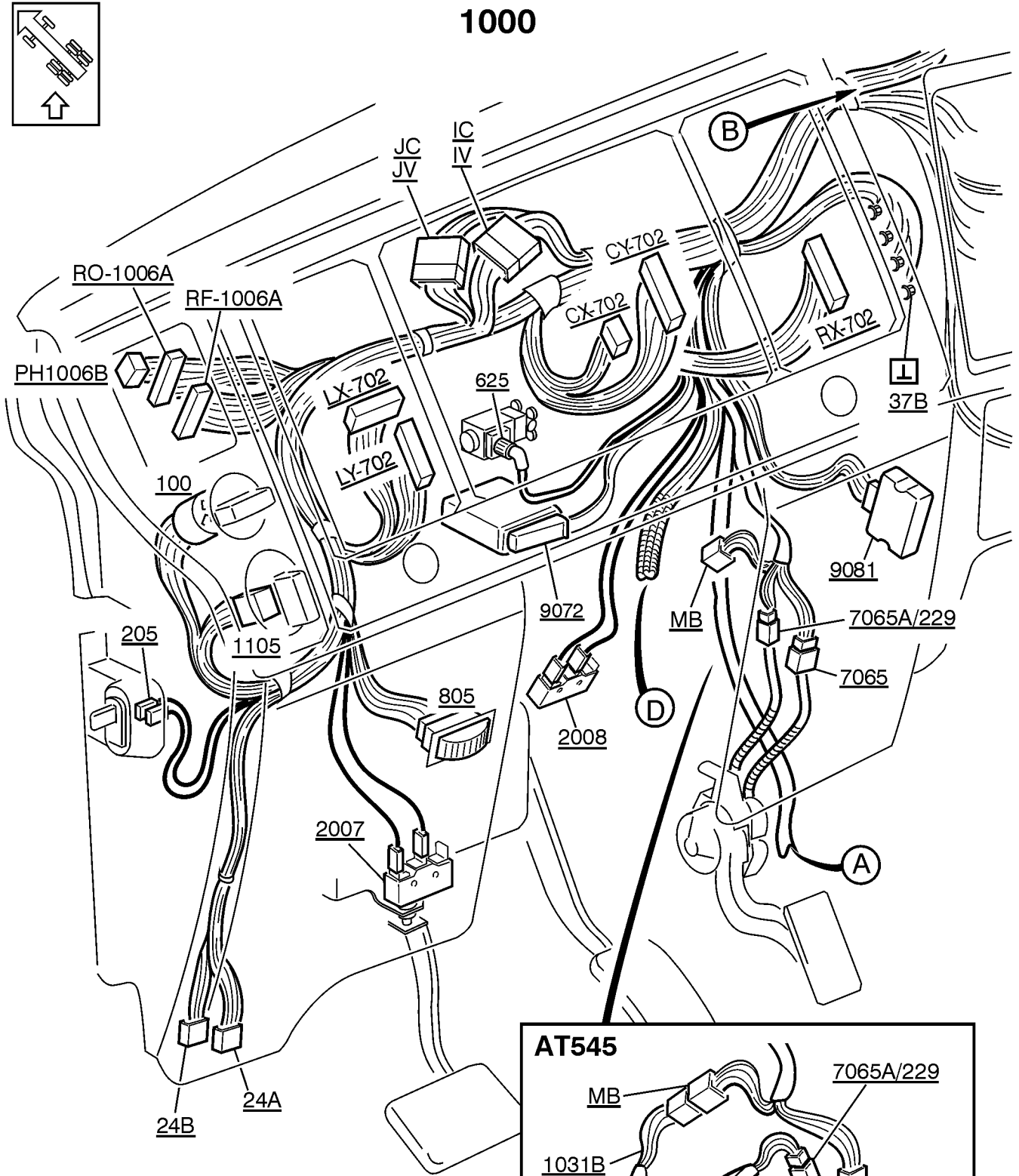
# Illustrations LHD



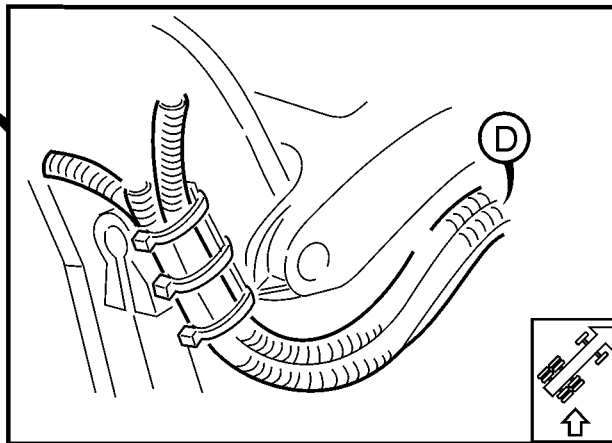
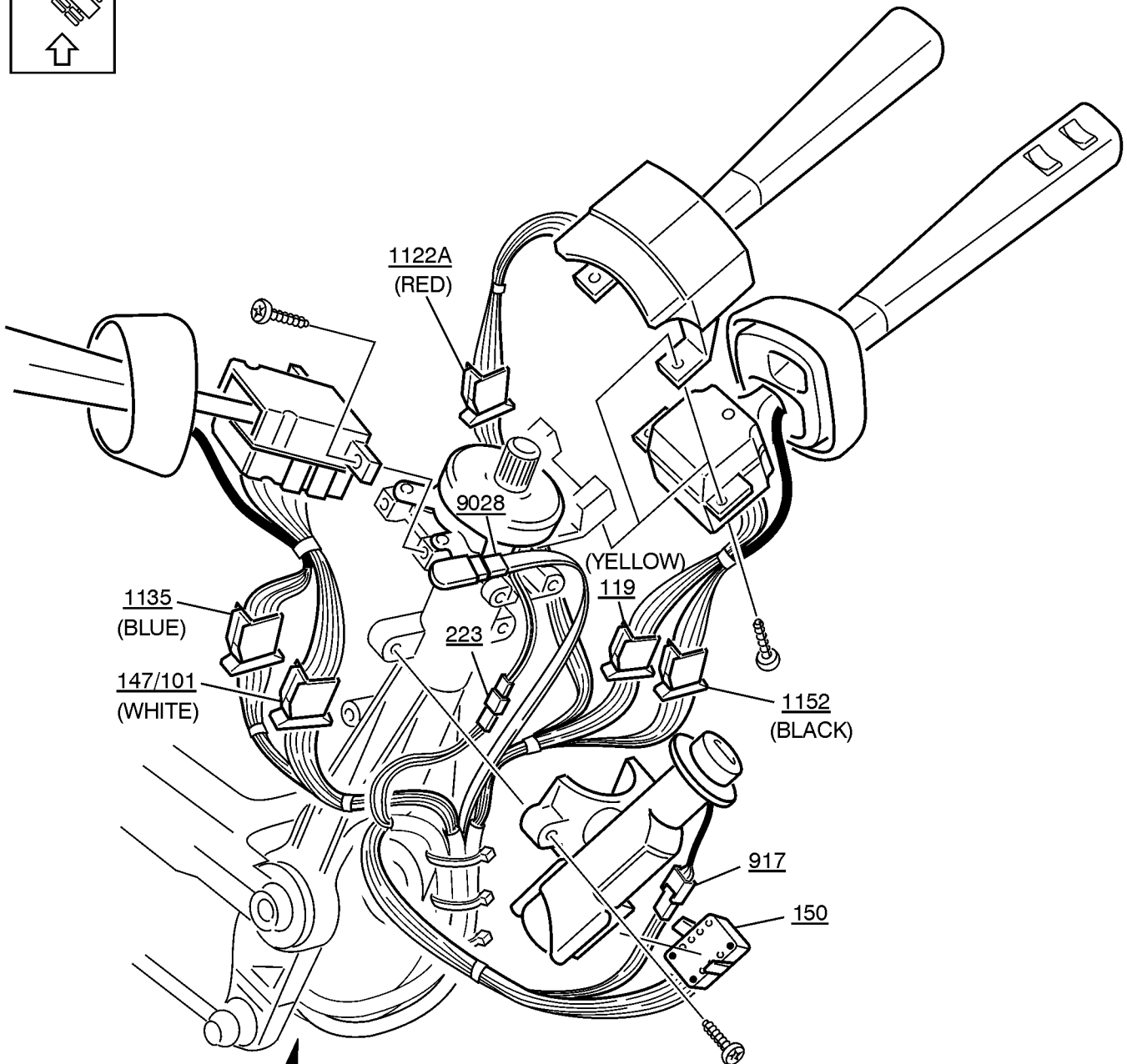
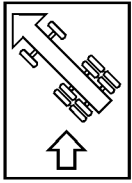
# EARTH CONNECTIONS

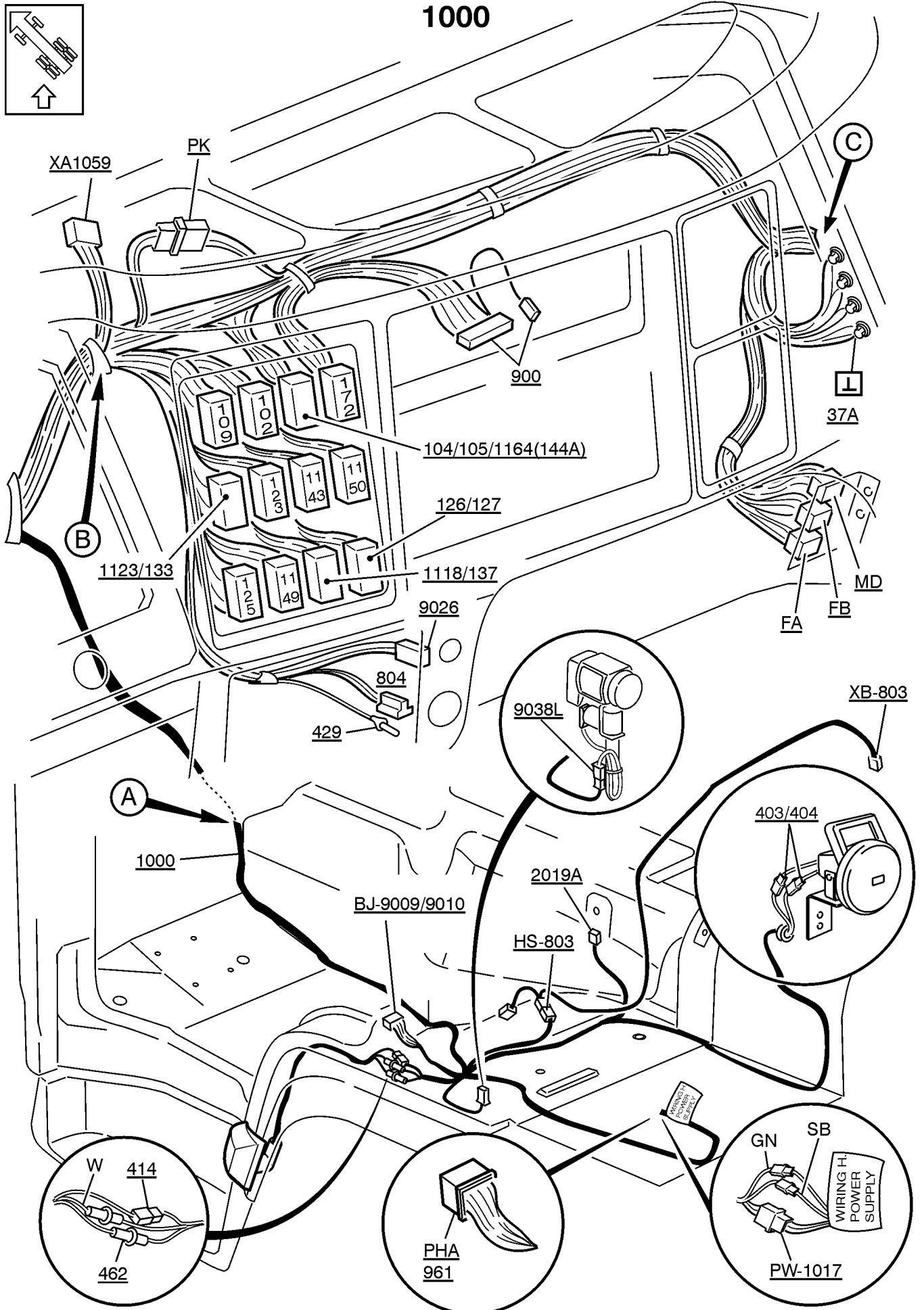


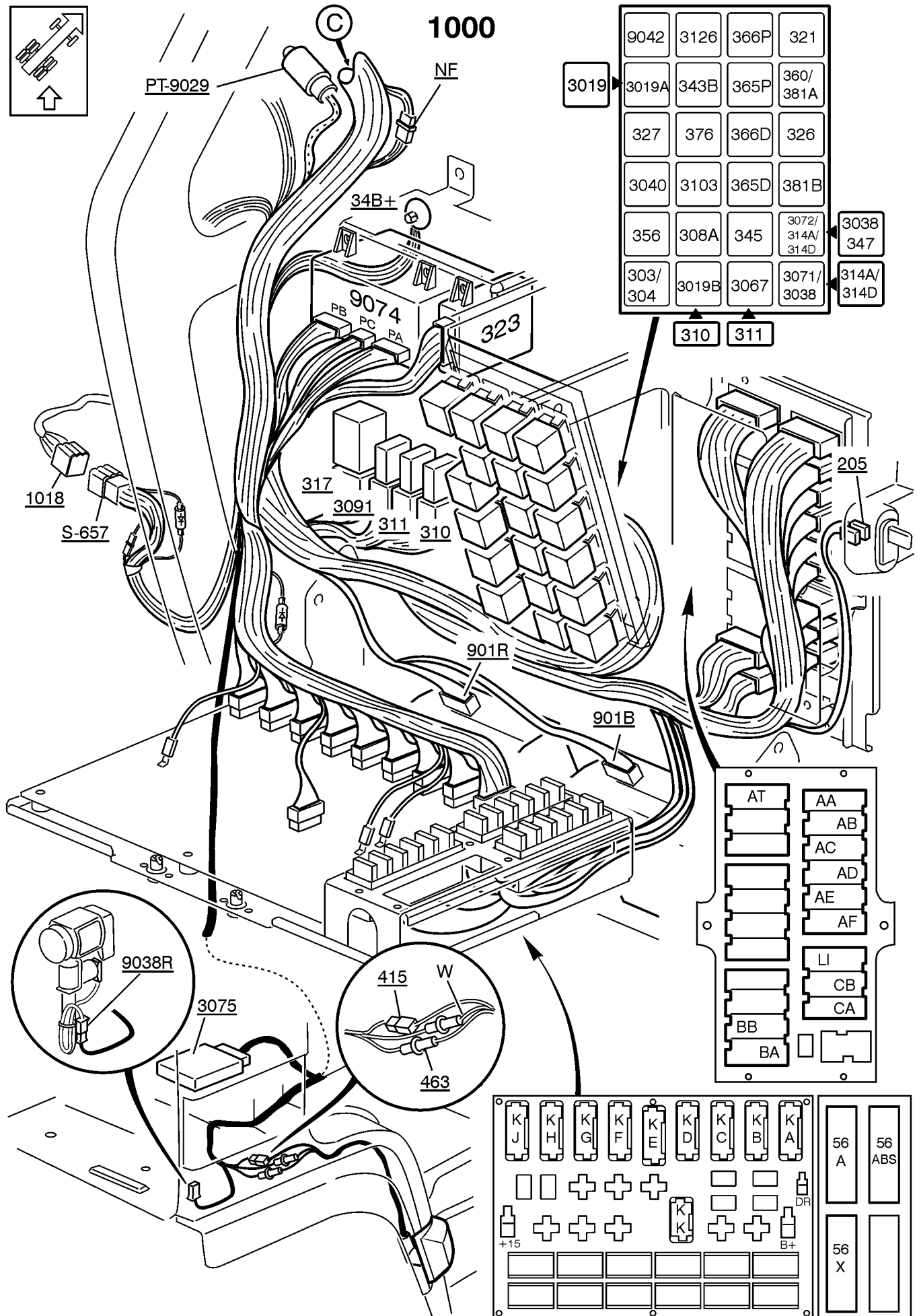
# 1000



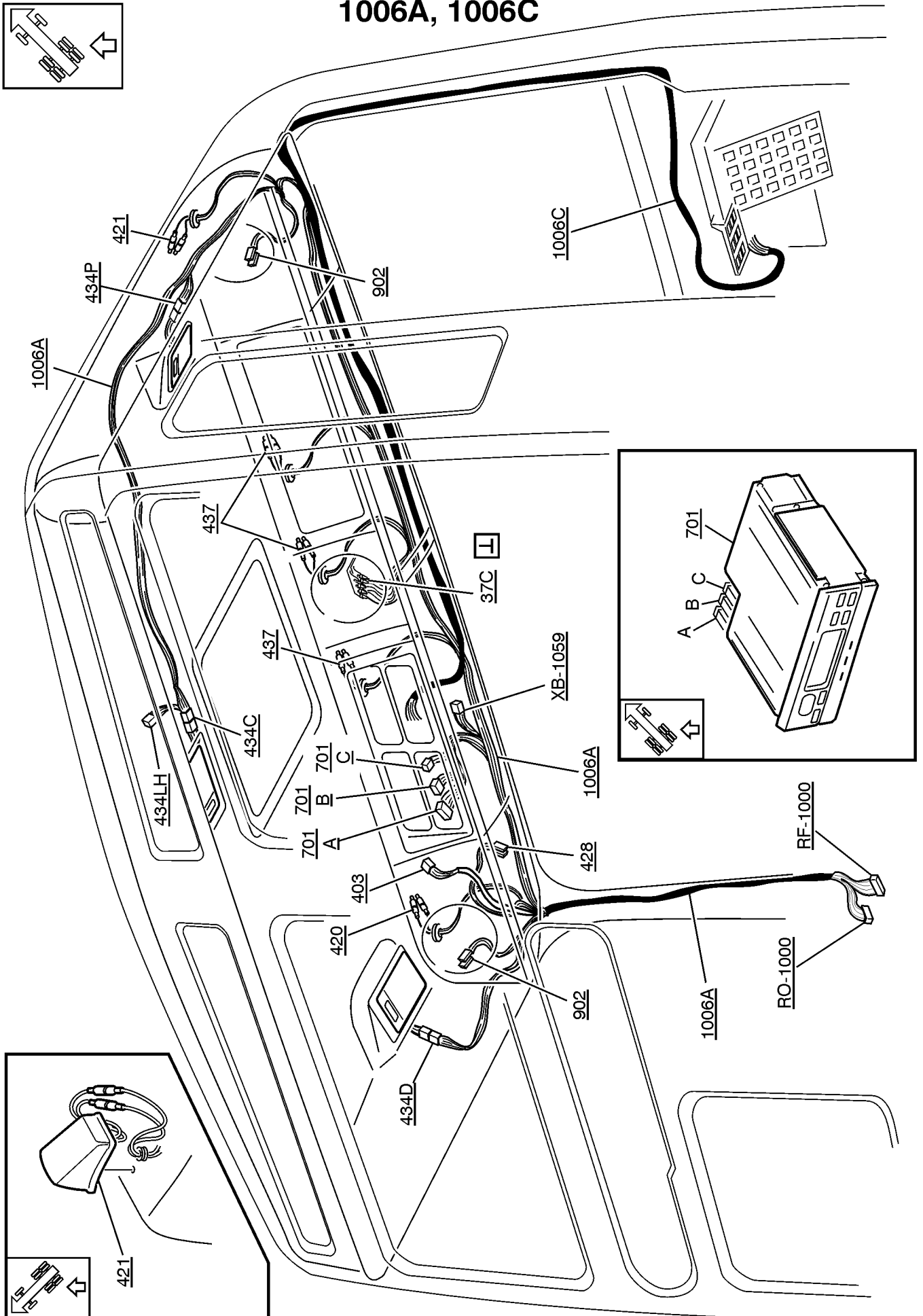
# 1000

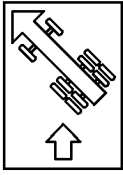




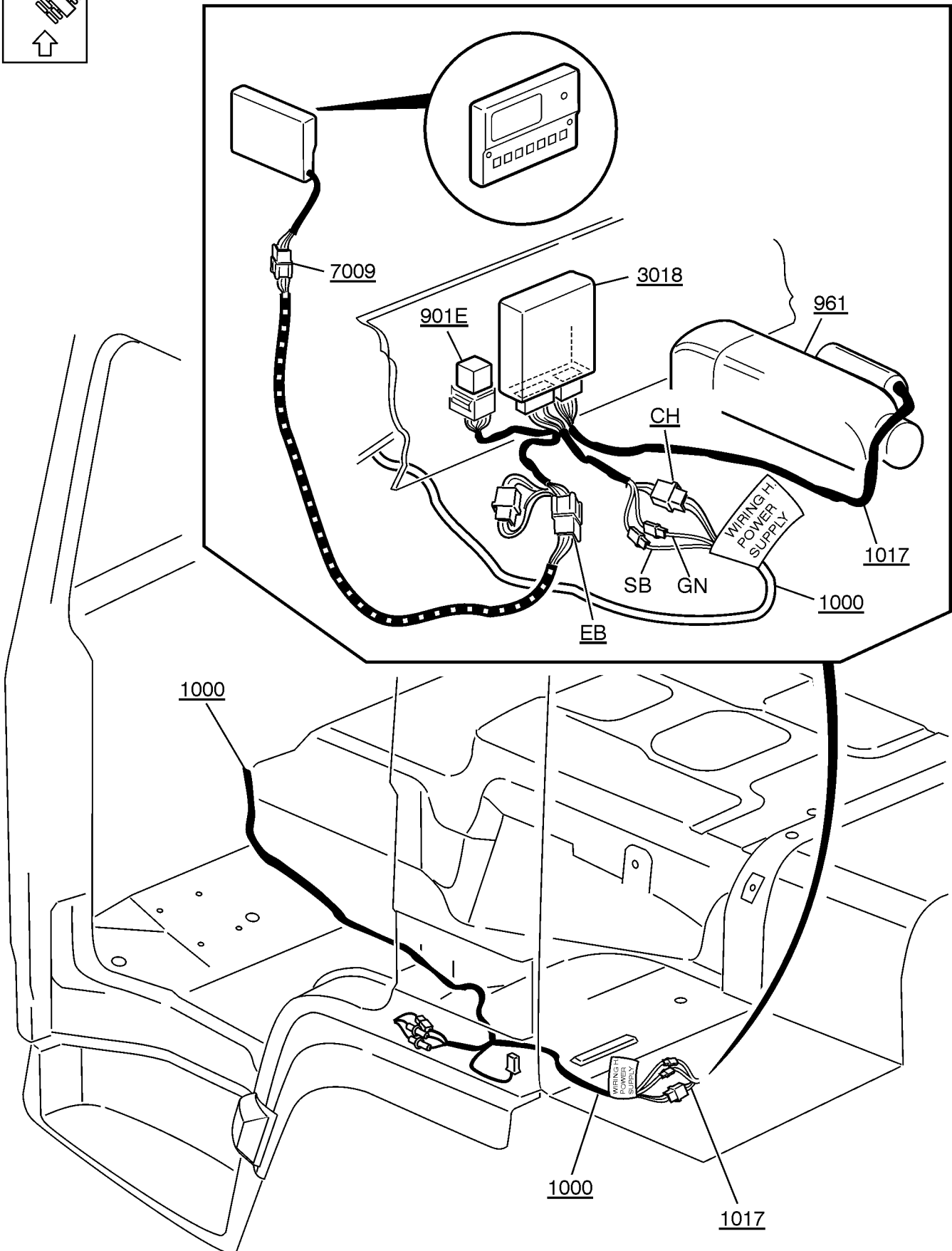


# 1006A, 1006C

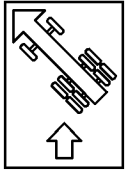




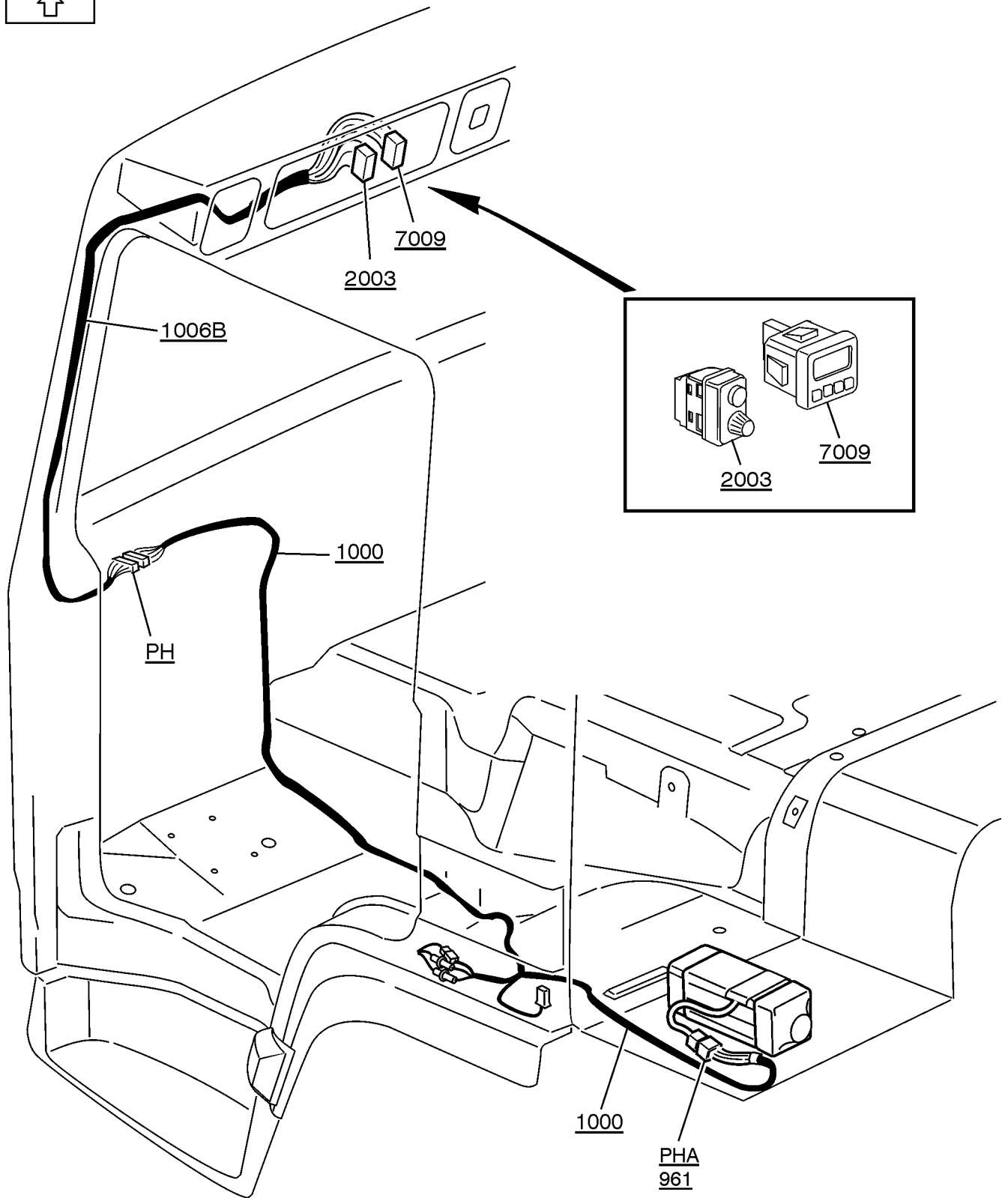
# 1017 EberSpracher



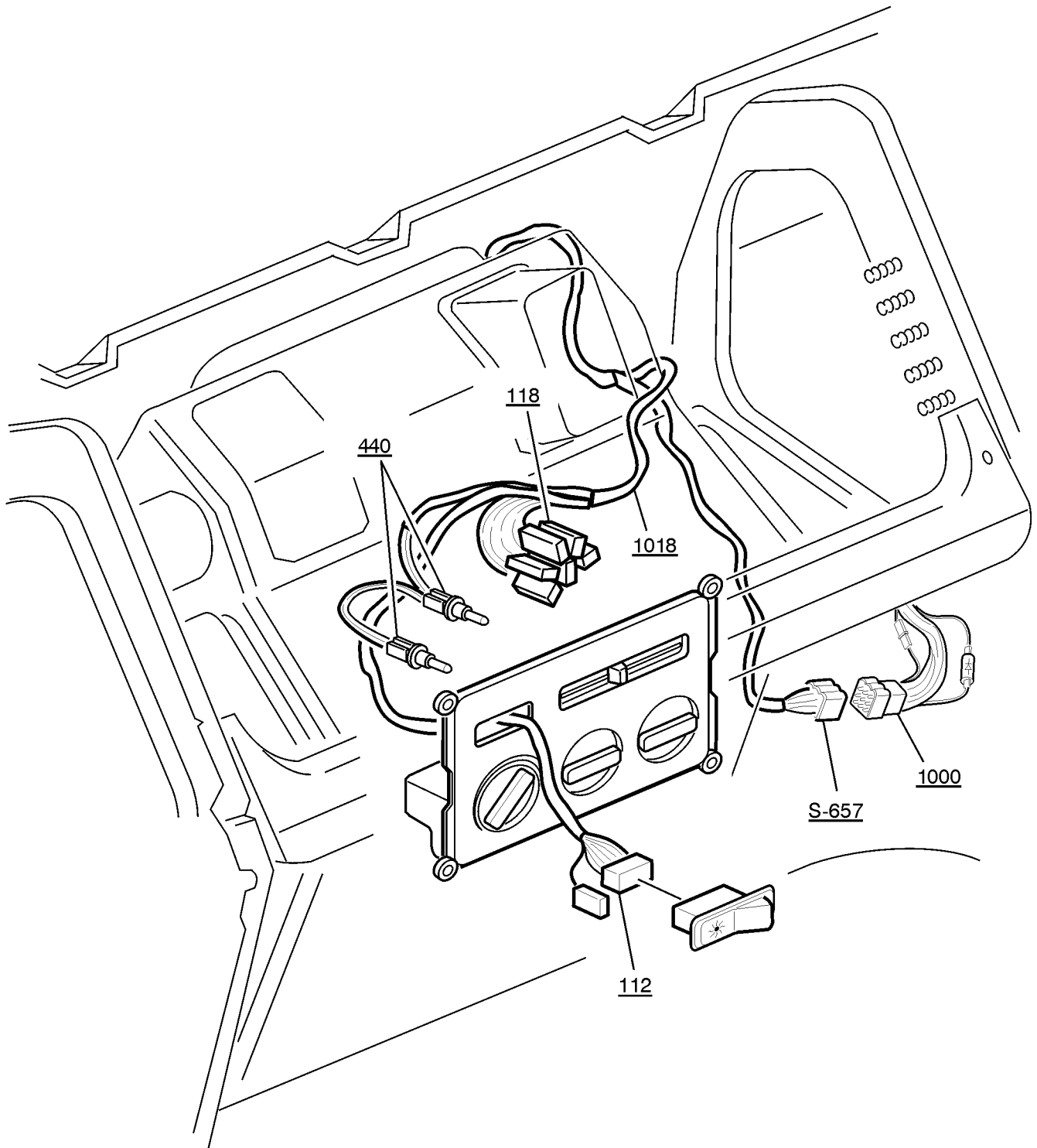




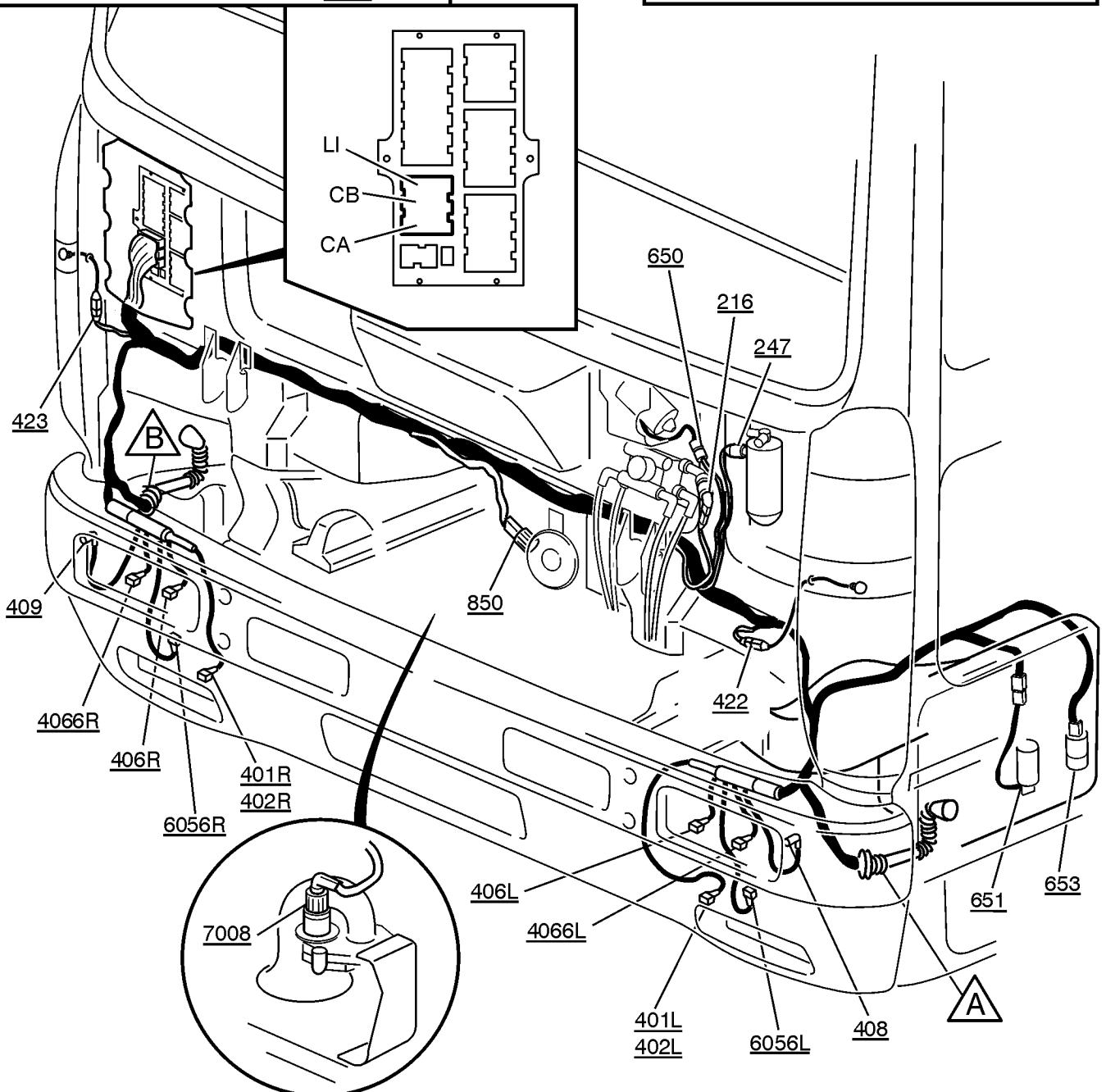
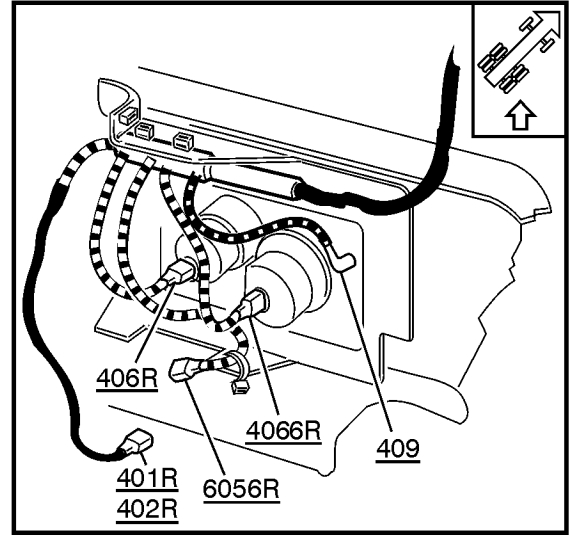
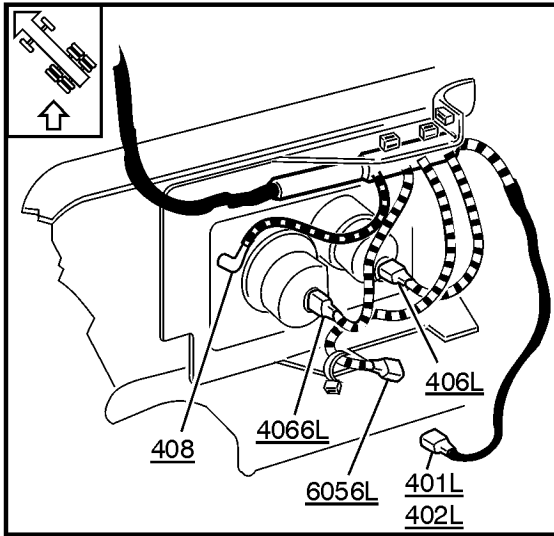
# 1017 Webasto



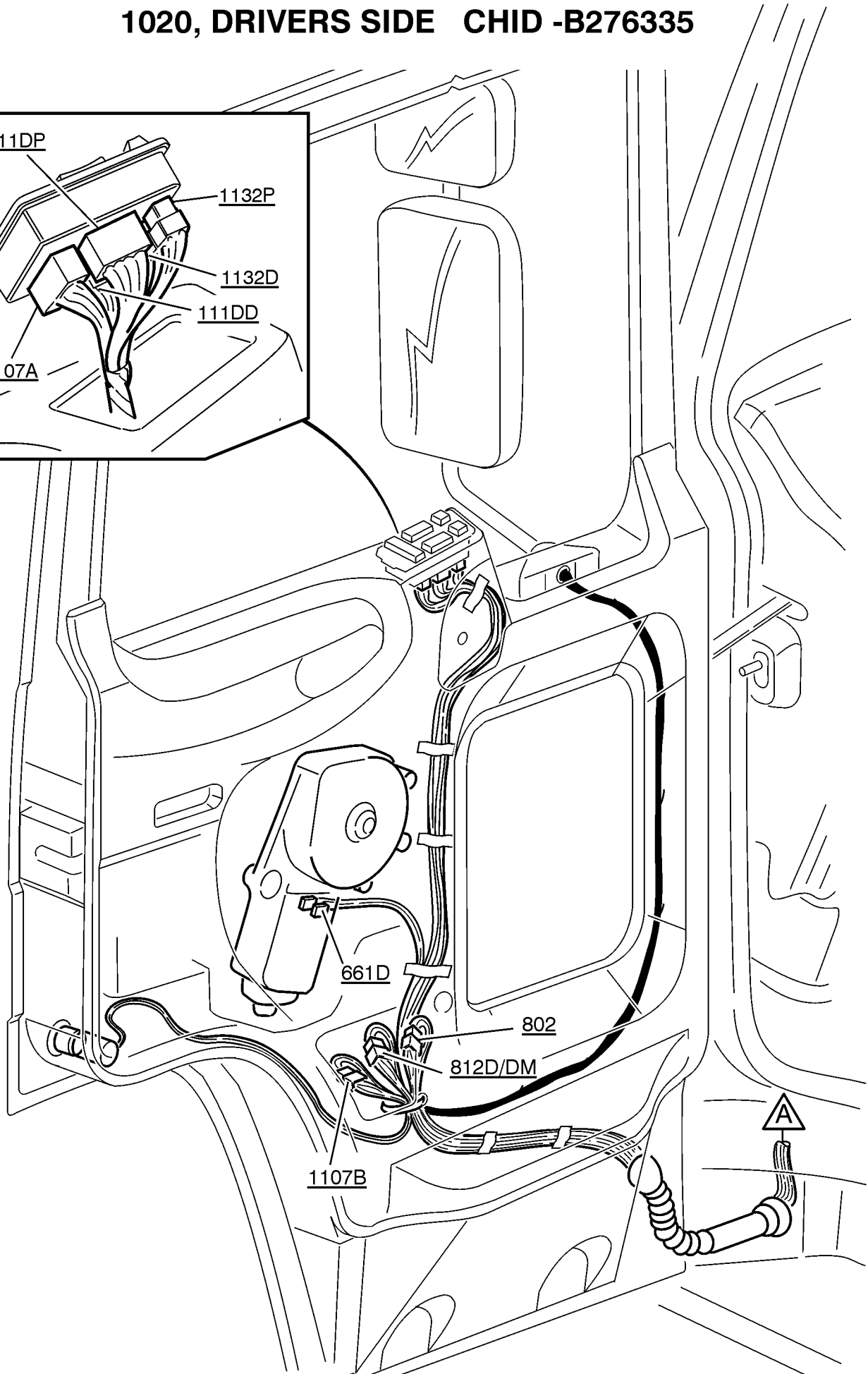
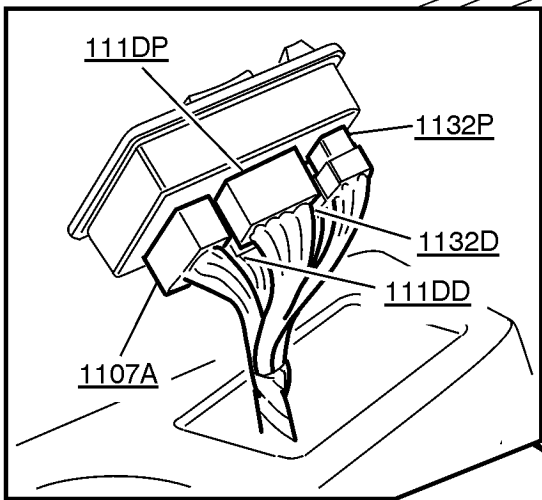
# 1018



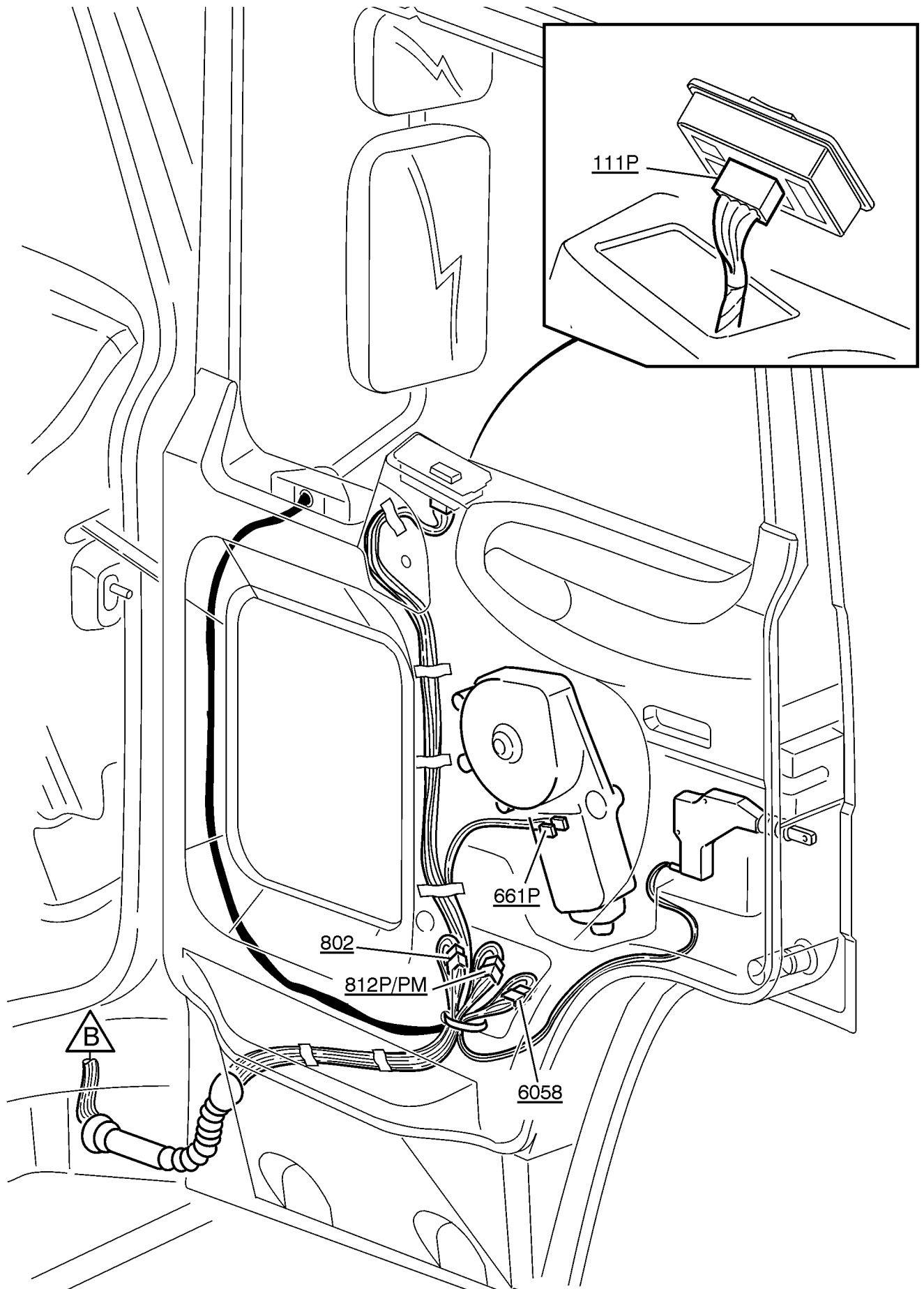
# 1020



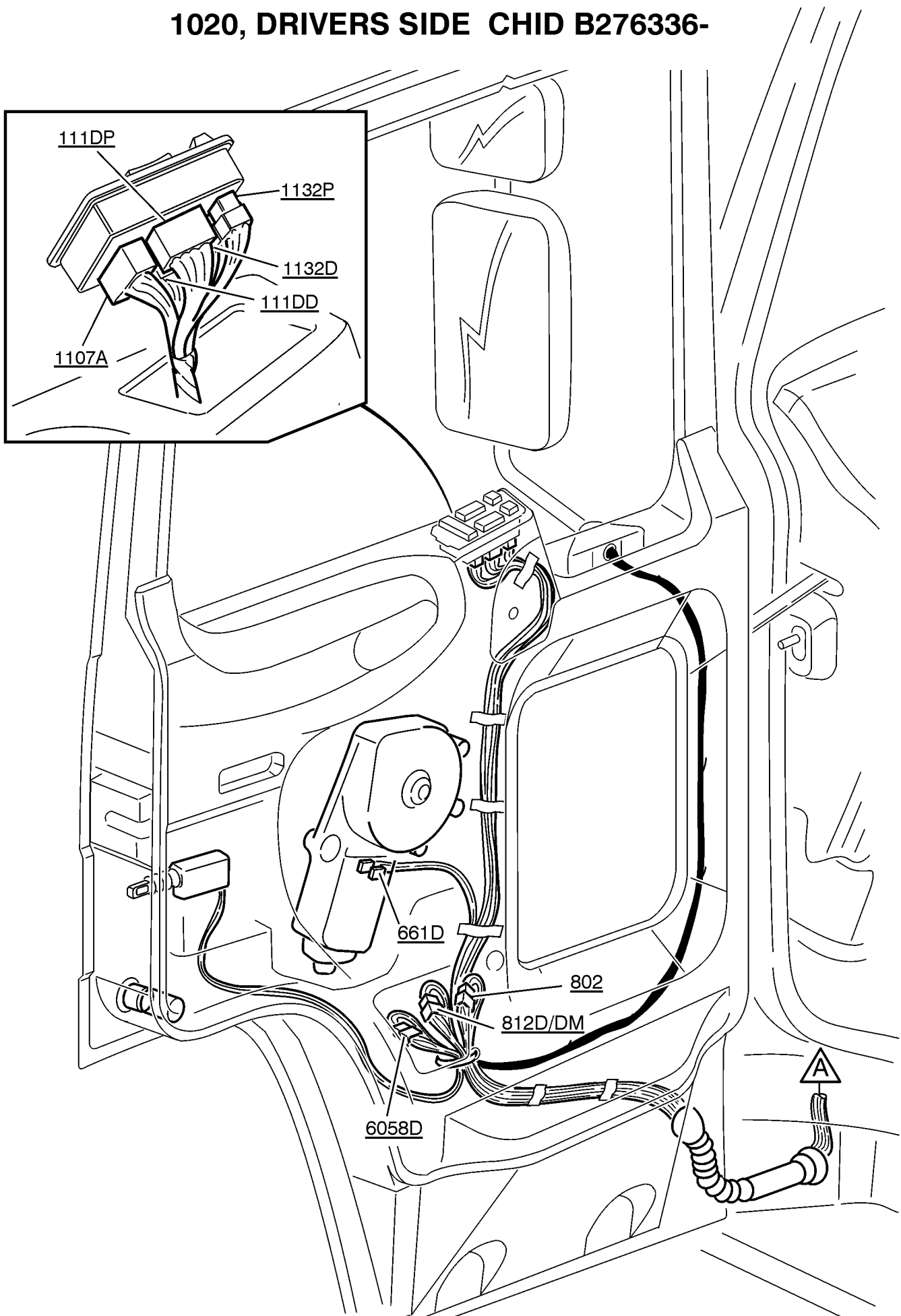
### 1020, DRIVERS SIDE CHID -B276335



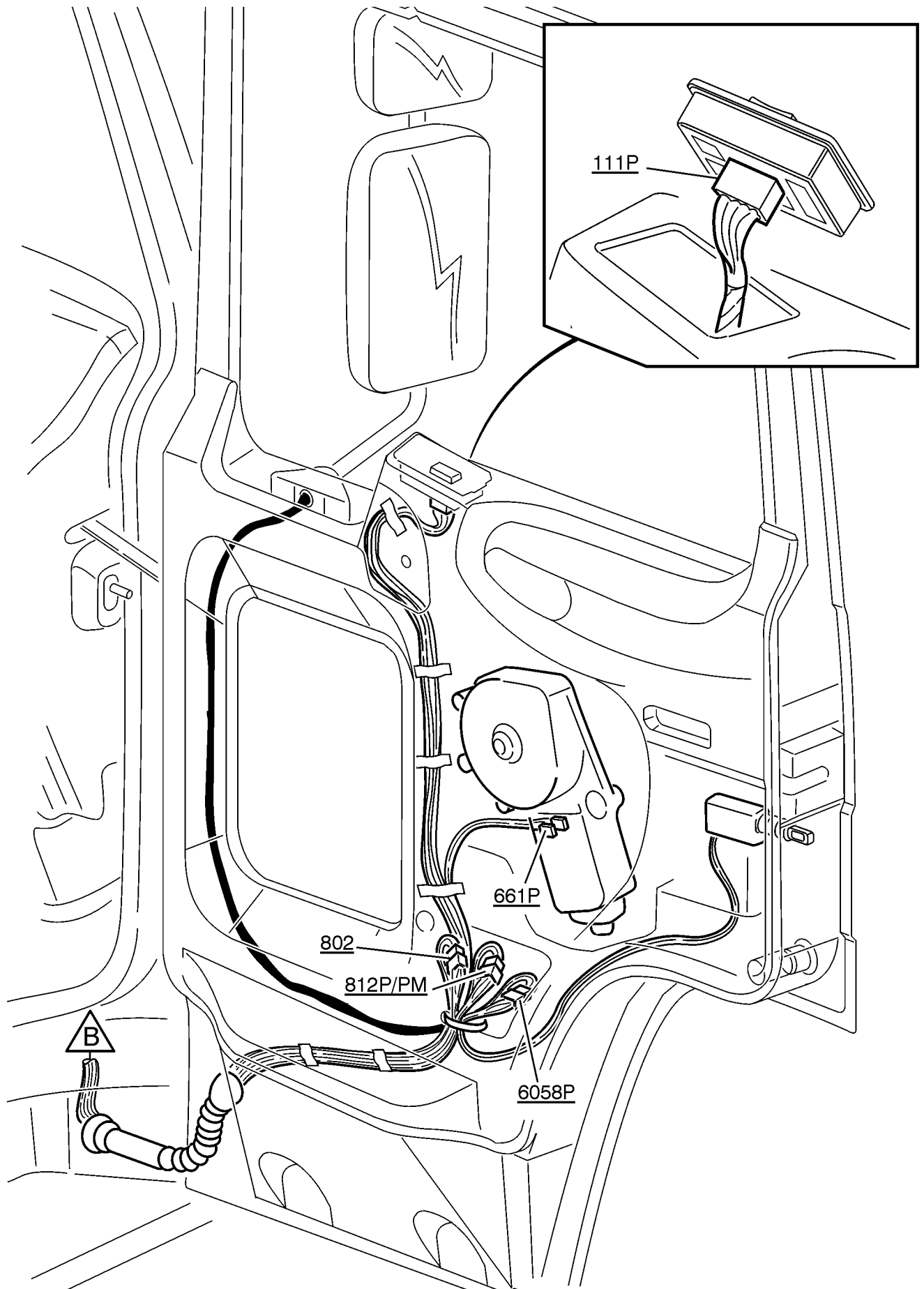
### 1020, PASSENGERS SIDE CHID -B276335

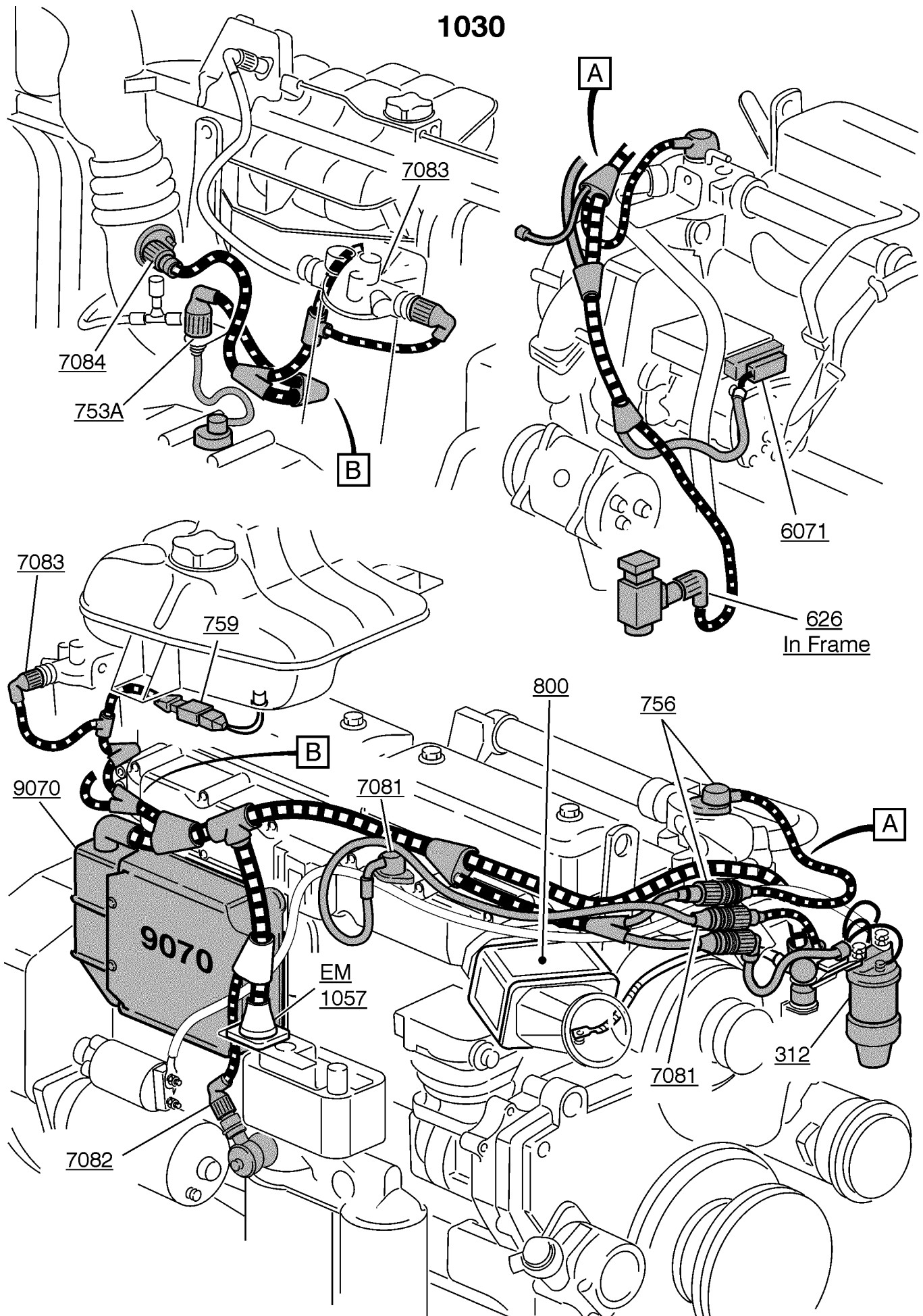


### 1020, DRIVERS SIDE CHID B276336-



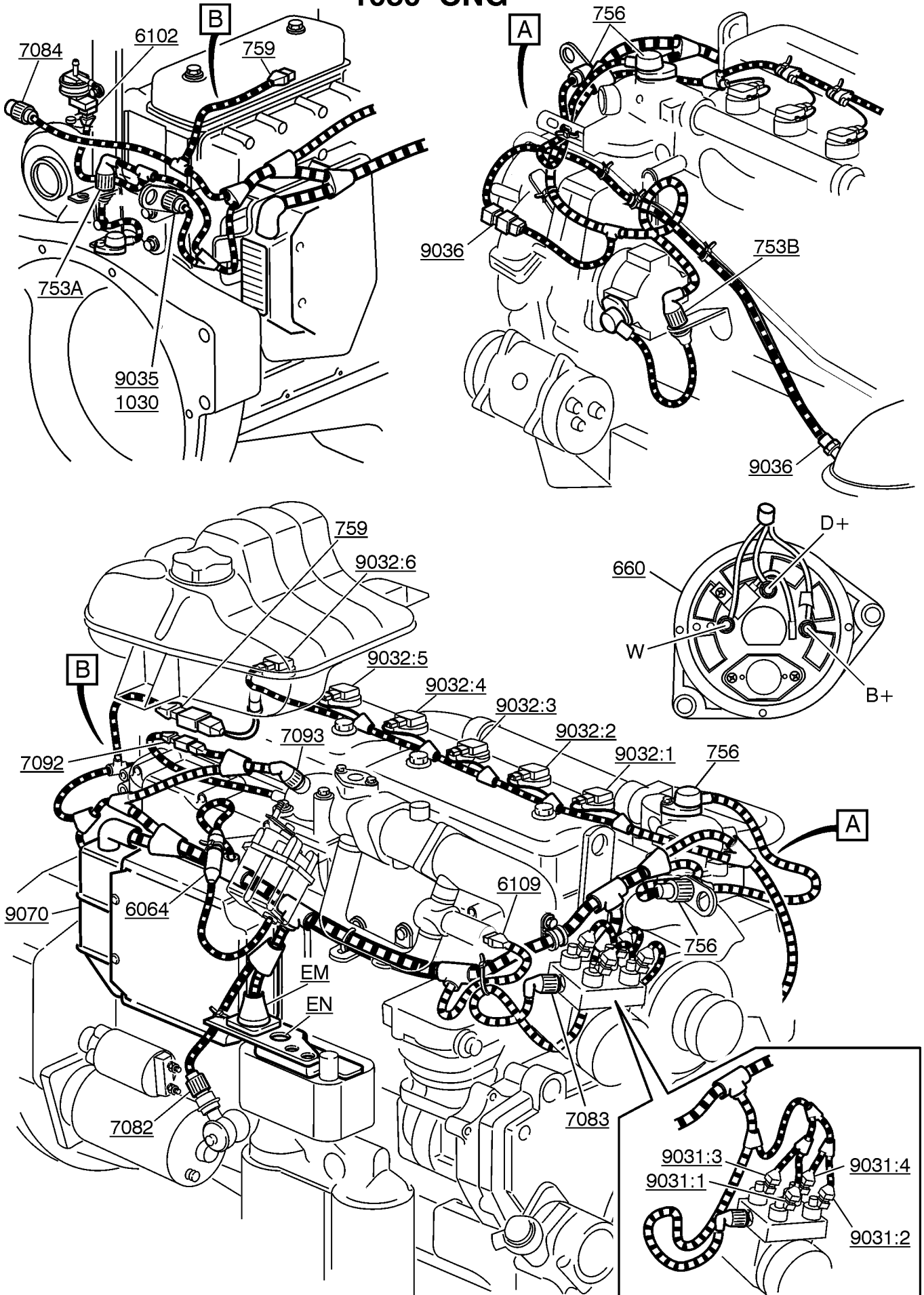
### 1020, PASSENGERS SIDE CHID B276336-



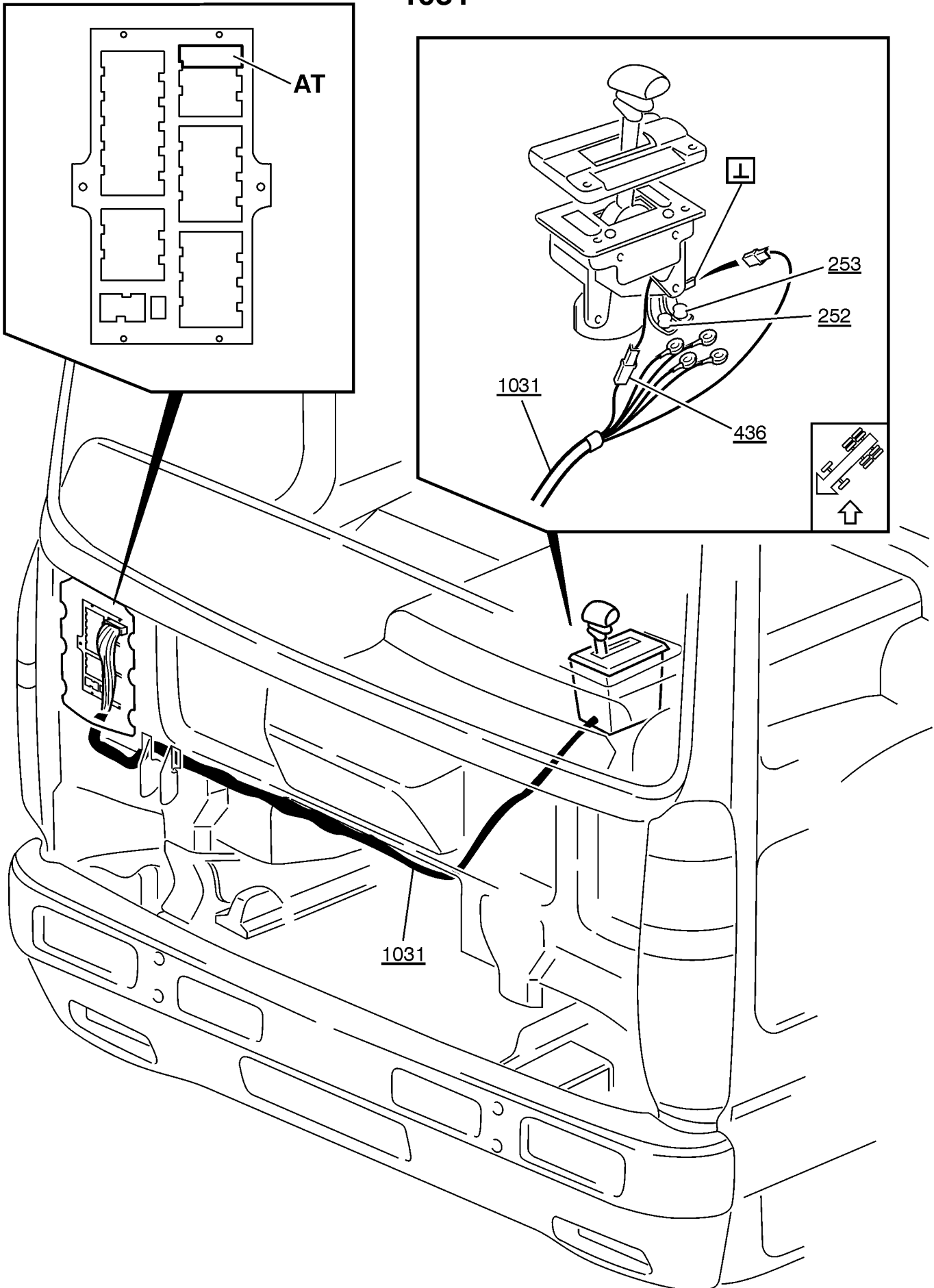




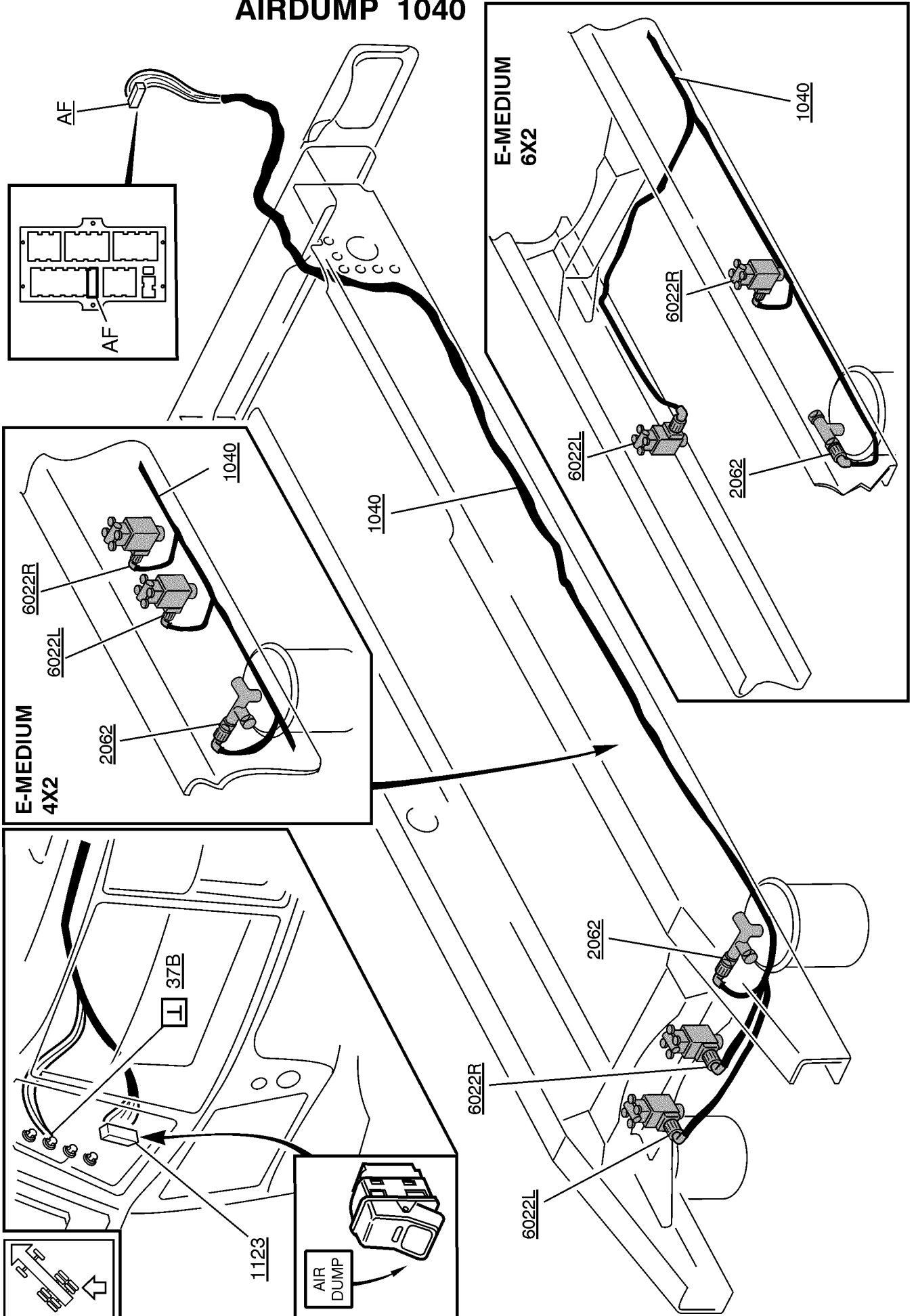
# 1030 CNG



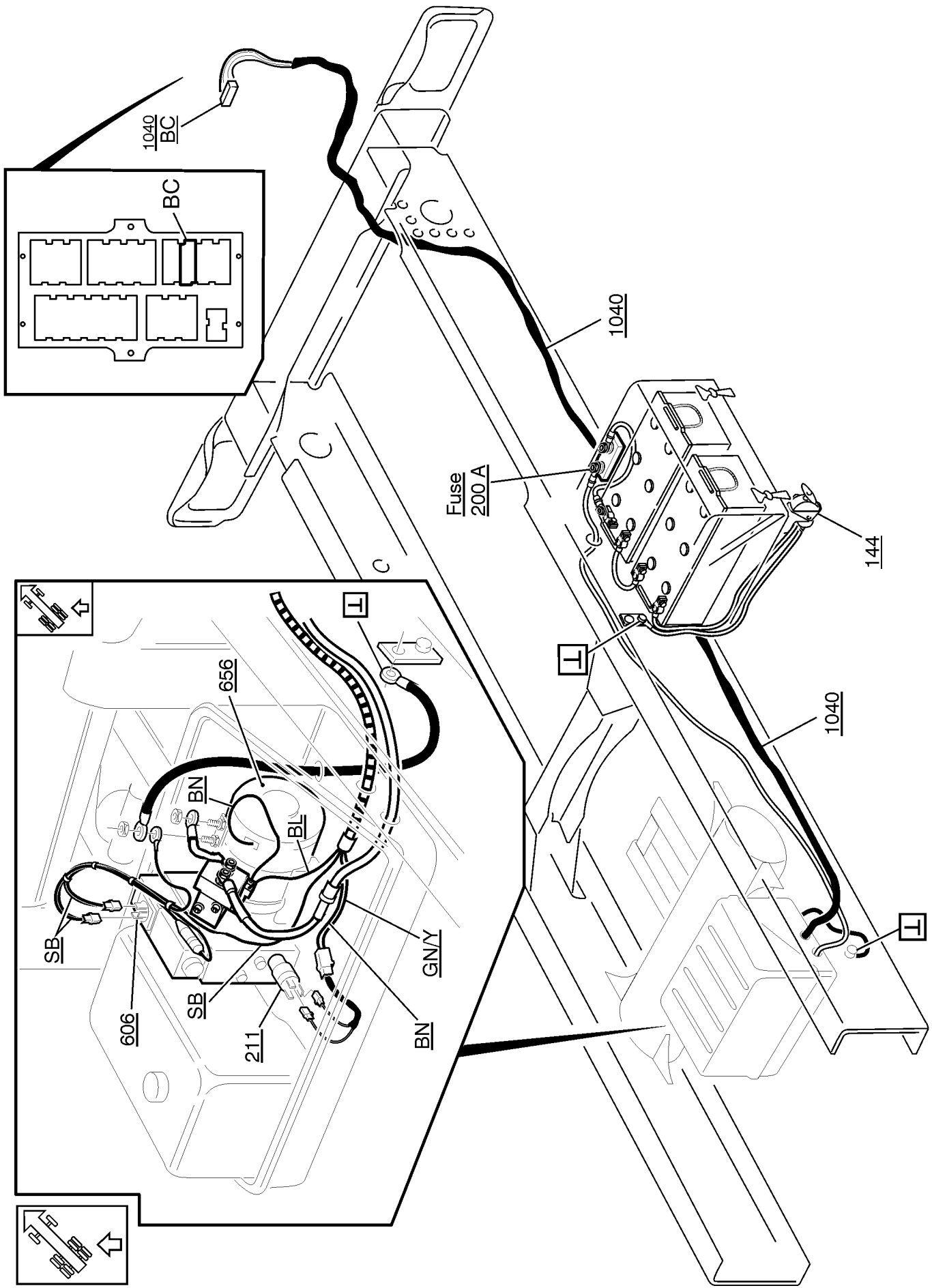
# 1031



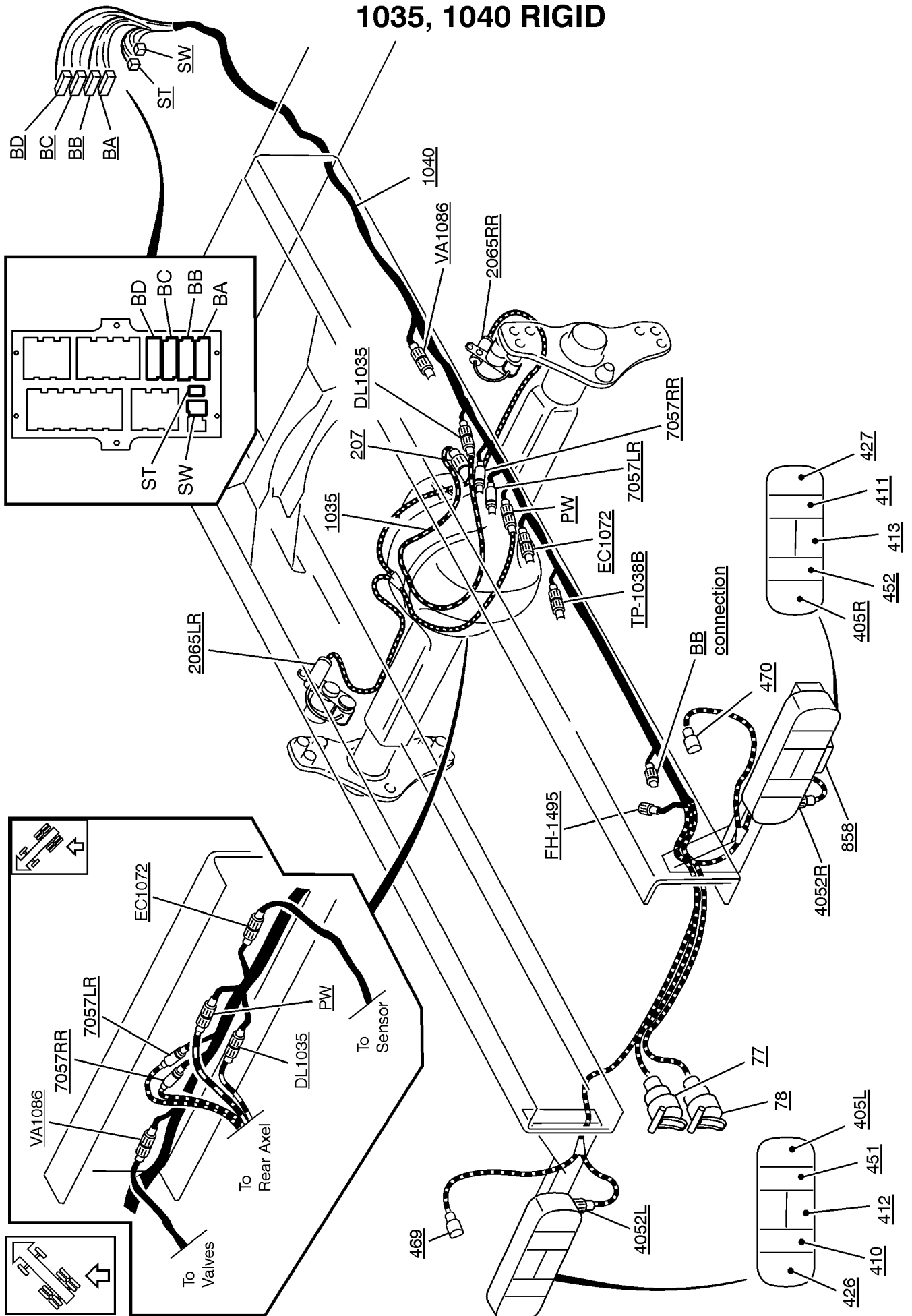
# AIRDUMP 1040



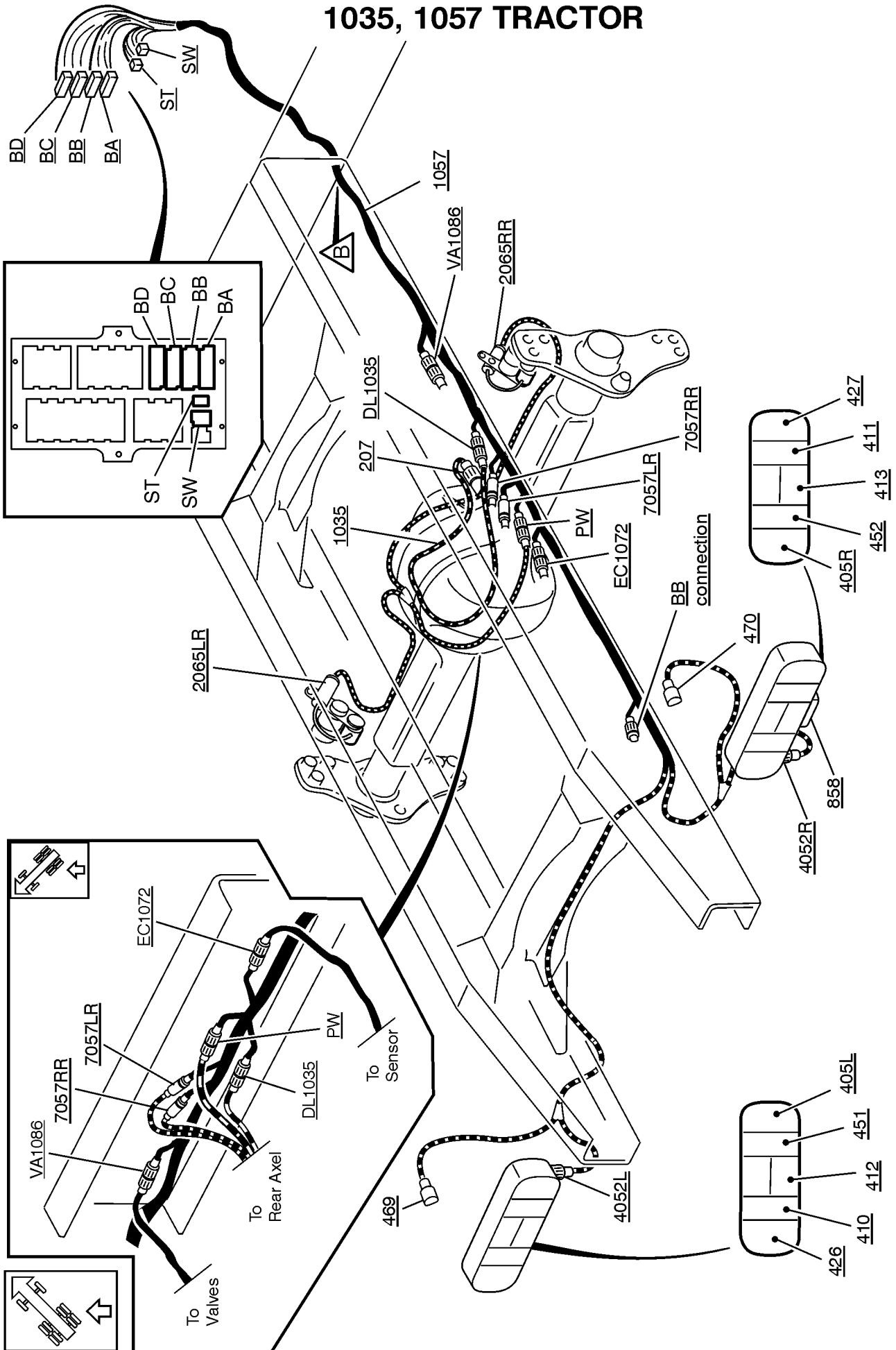
# BOGIE 1040

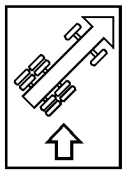


# 1035, 1040 RIGID

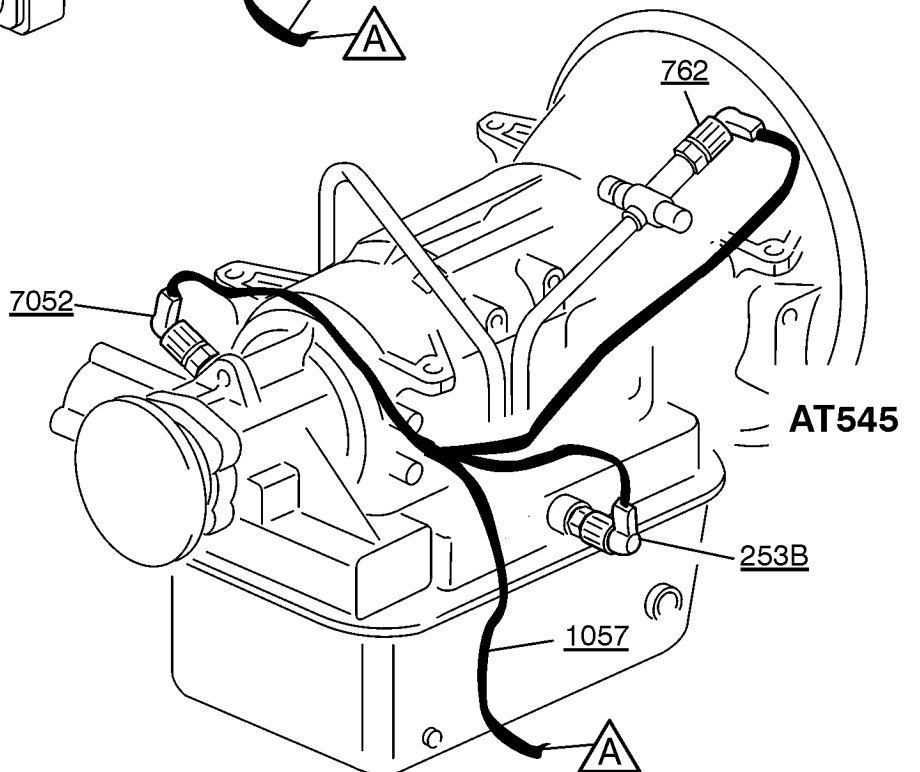
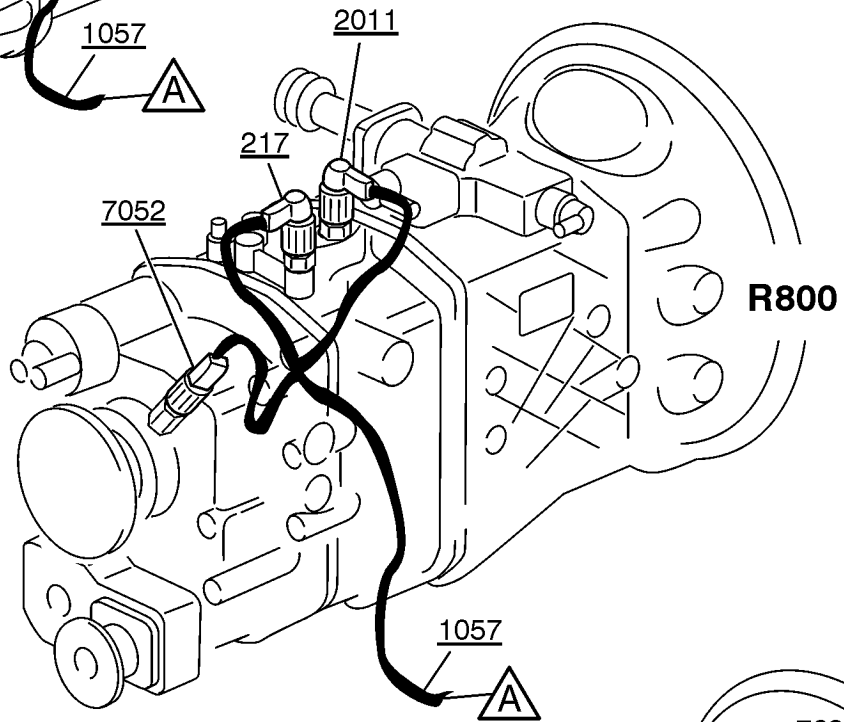
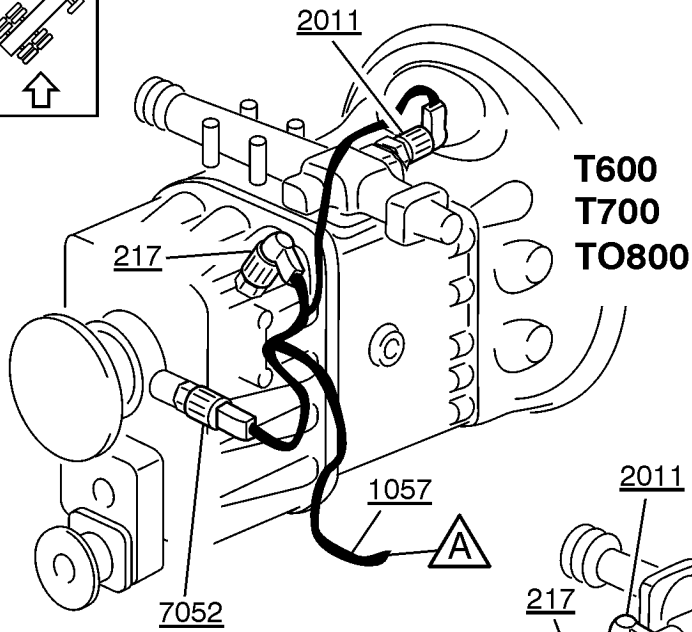


# 1035, 1057 TRACTOR

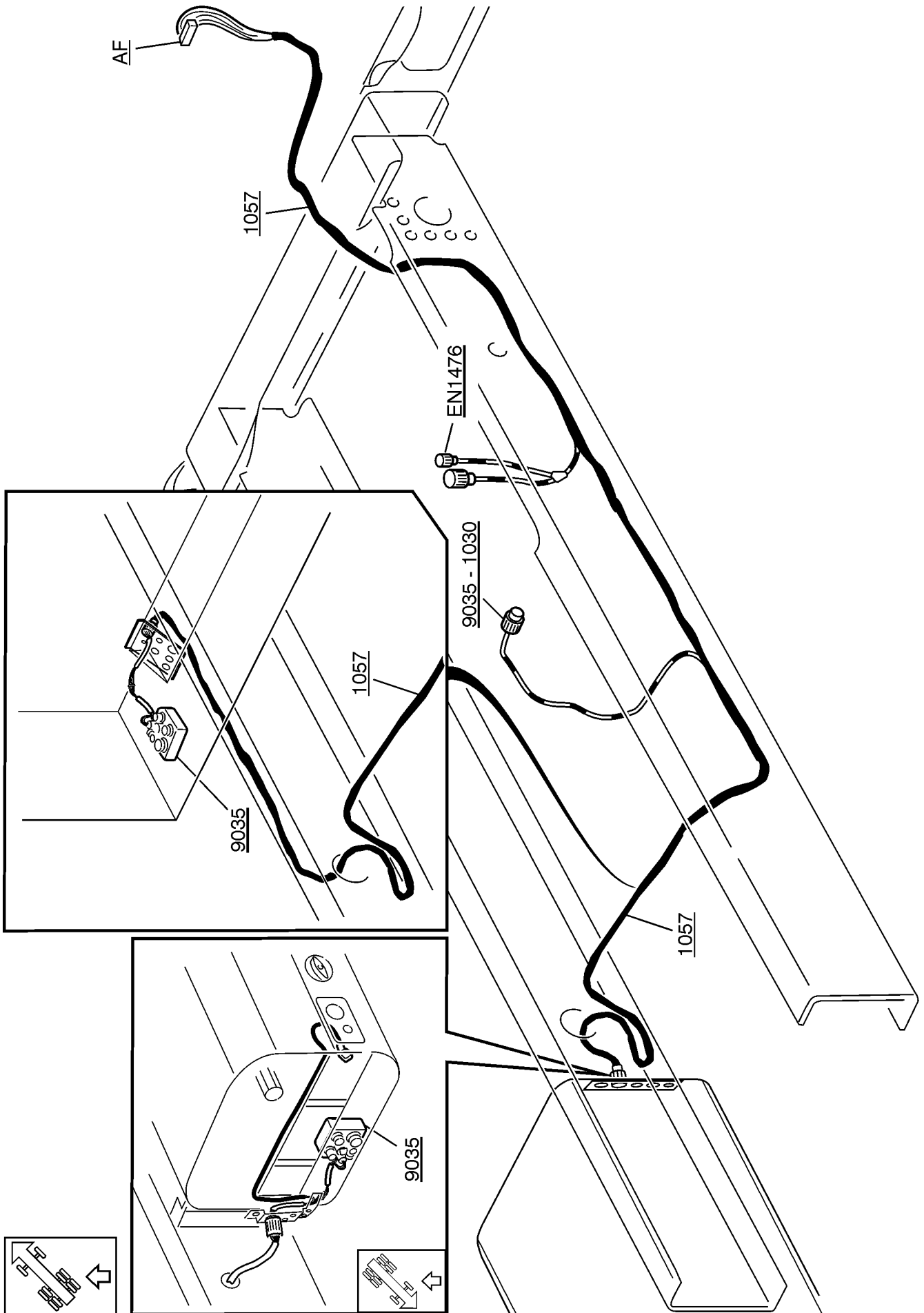




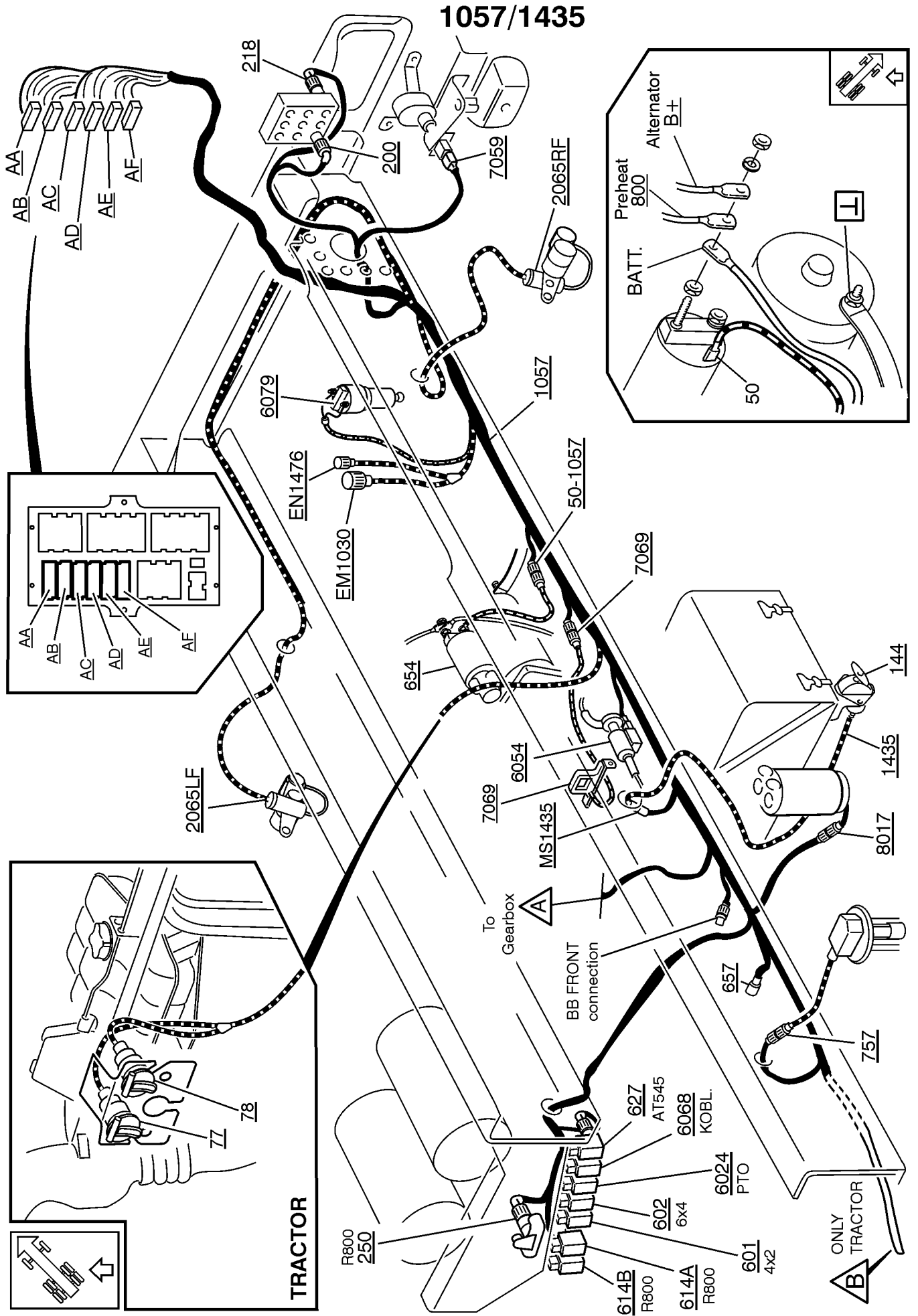
# 1057



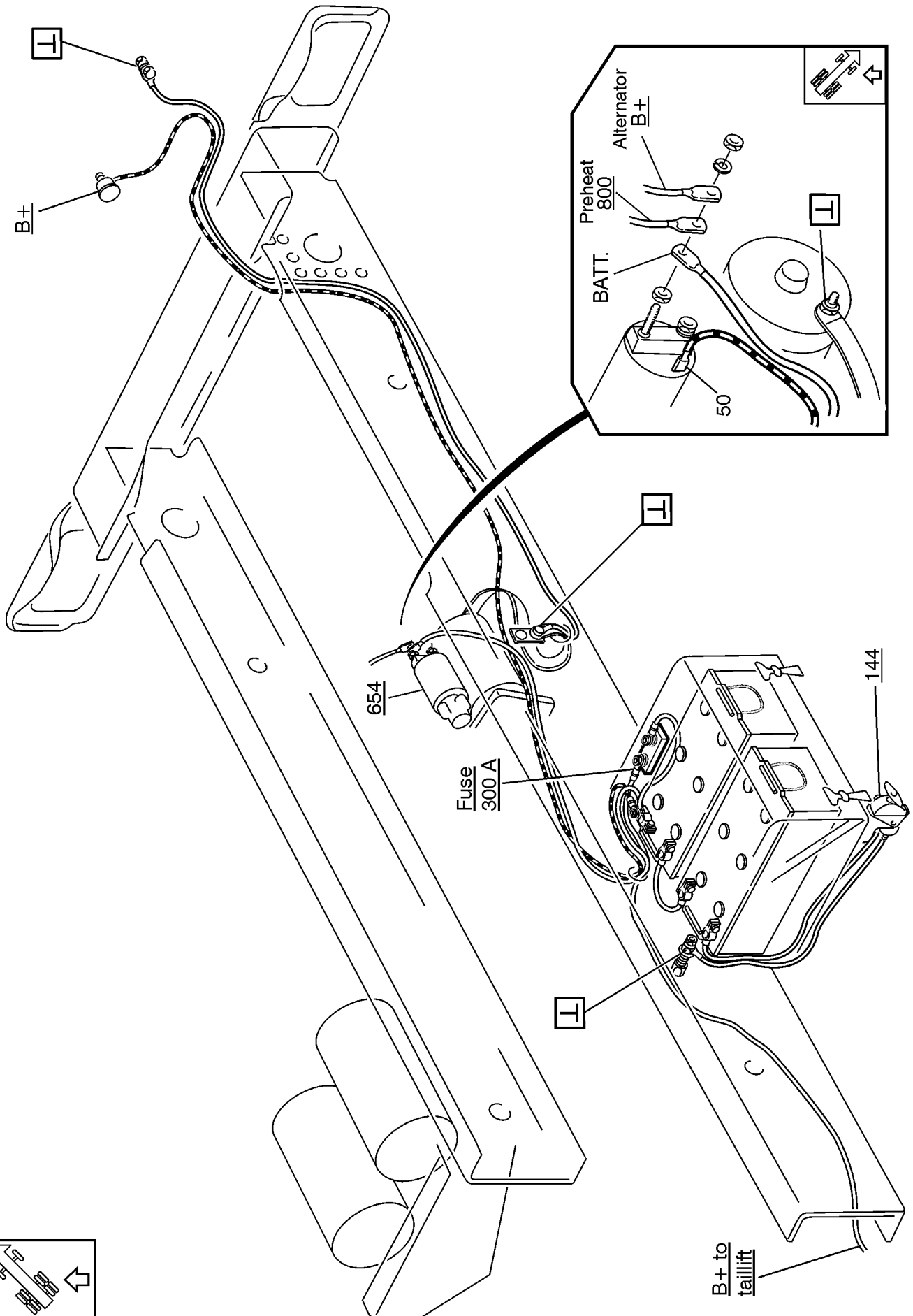
# 1057 CNG



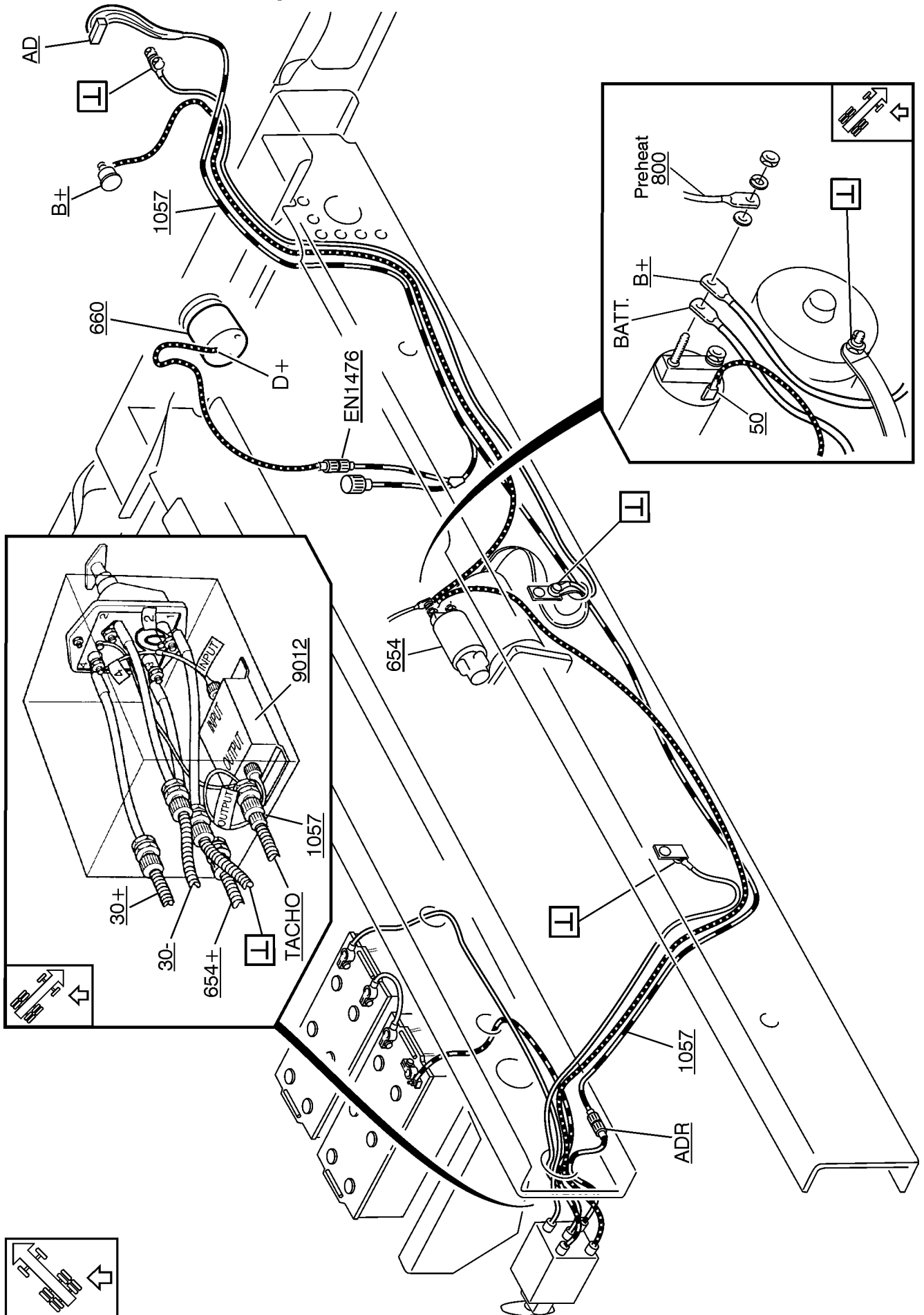


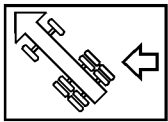


# 1057 BATTERY CONNECTIONS

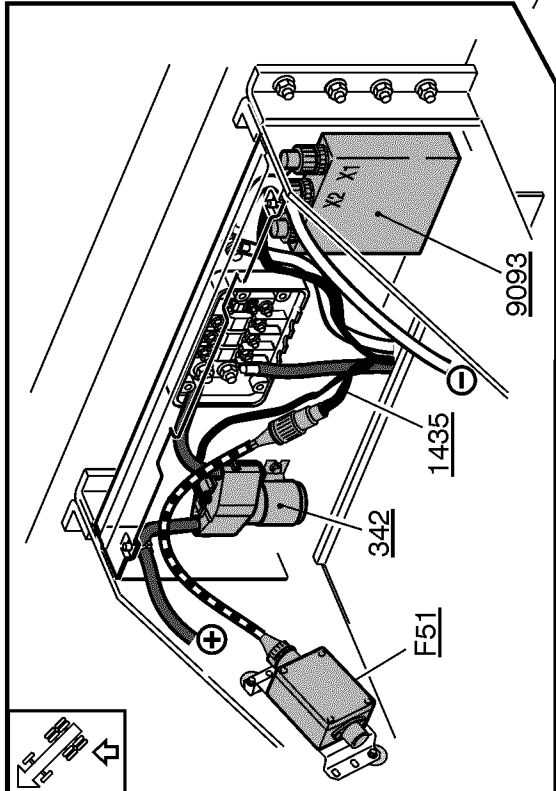
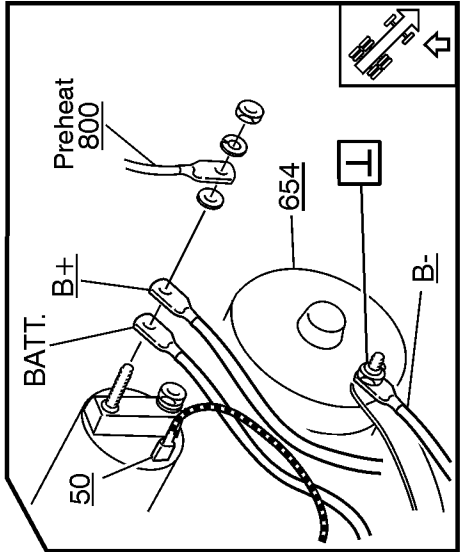
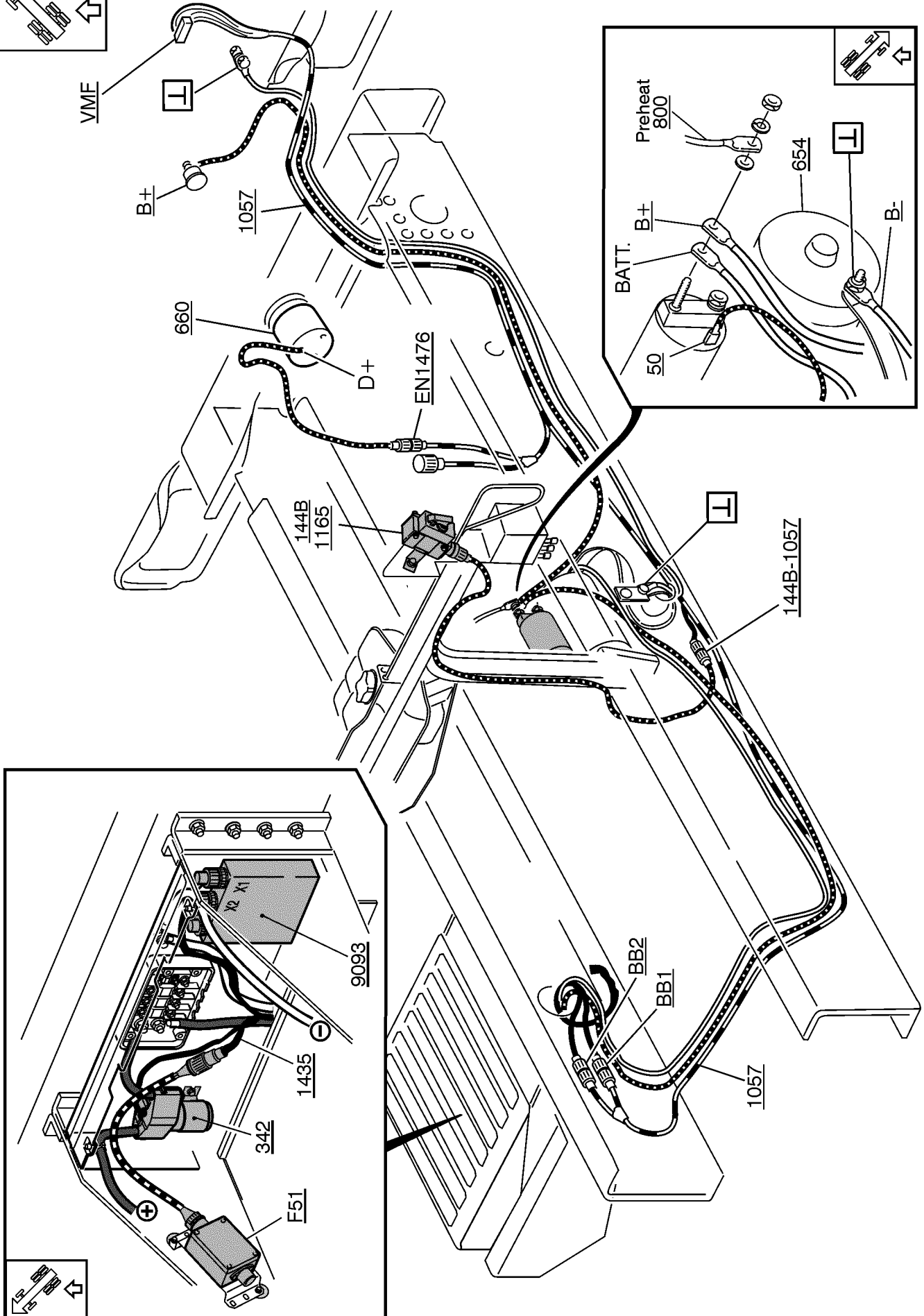


# 1057 Battery Connections ADR, CHID -B340450

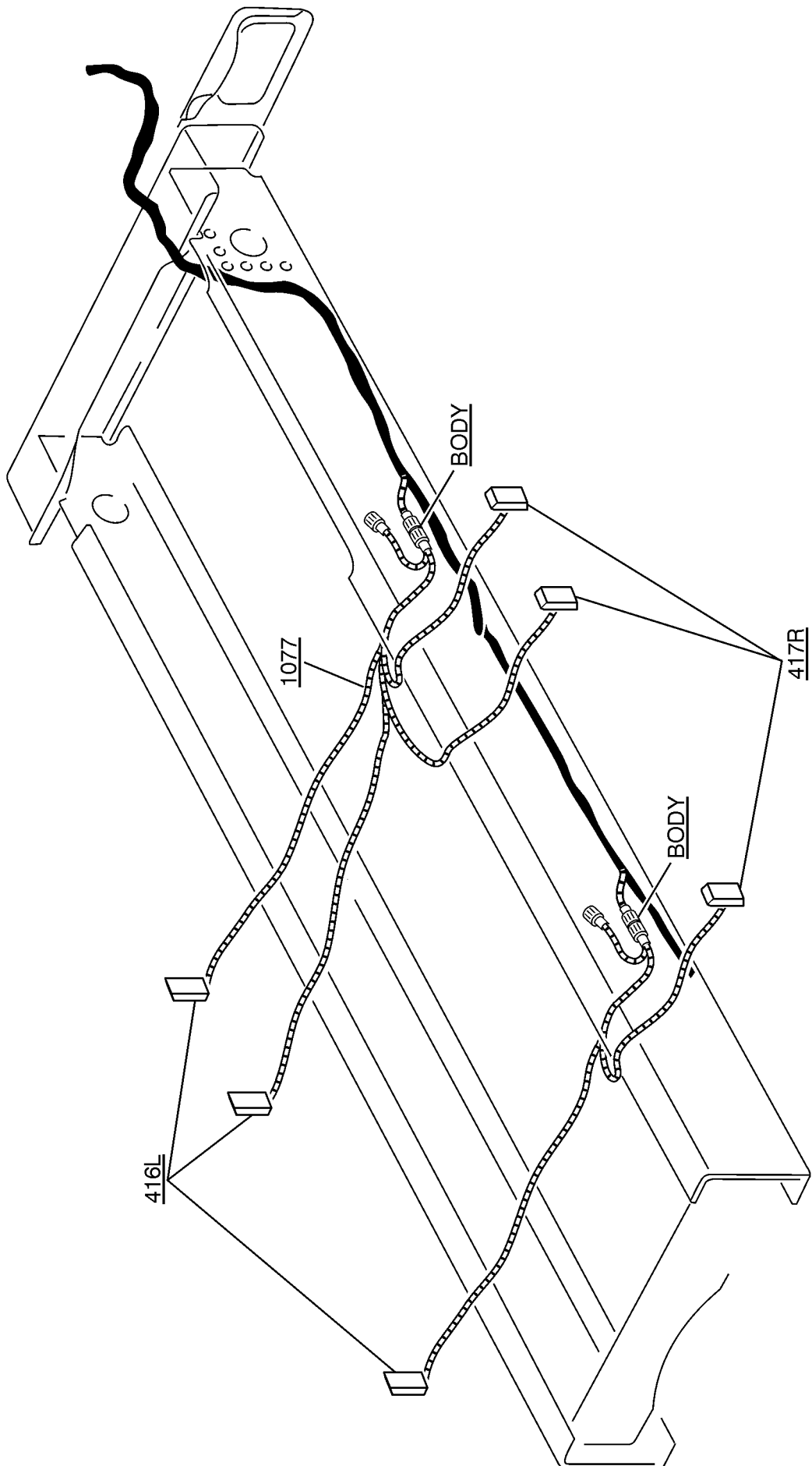




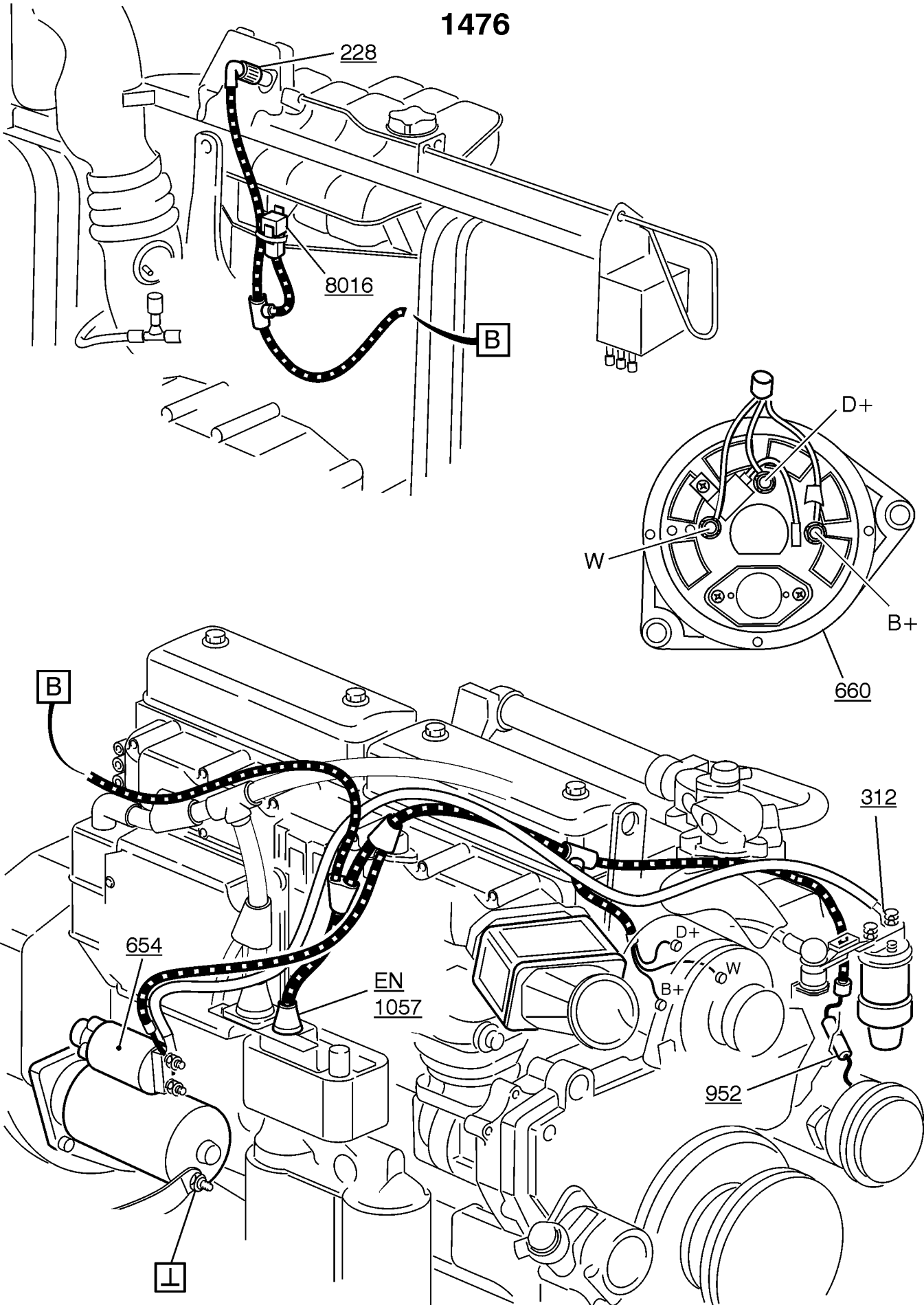
# 1057 Battery Connections ADR, CHID B340451-



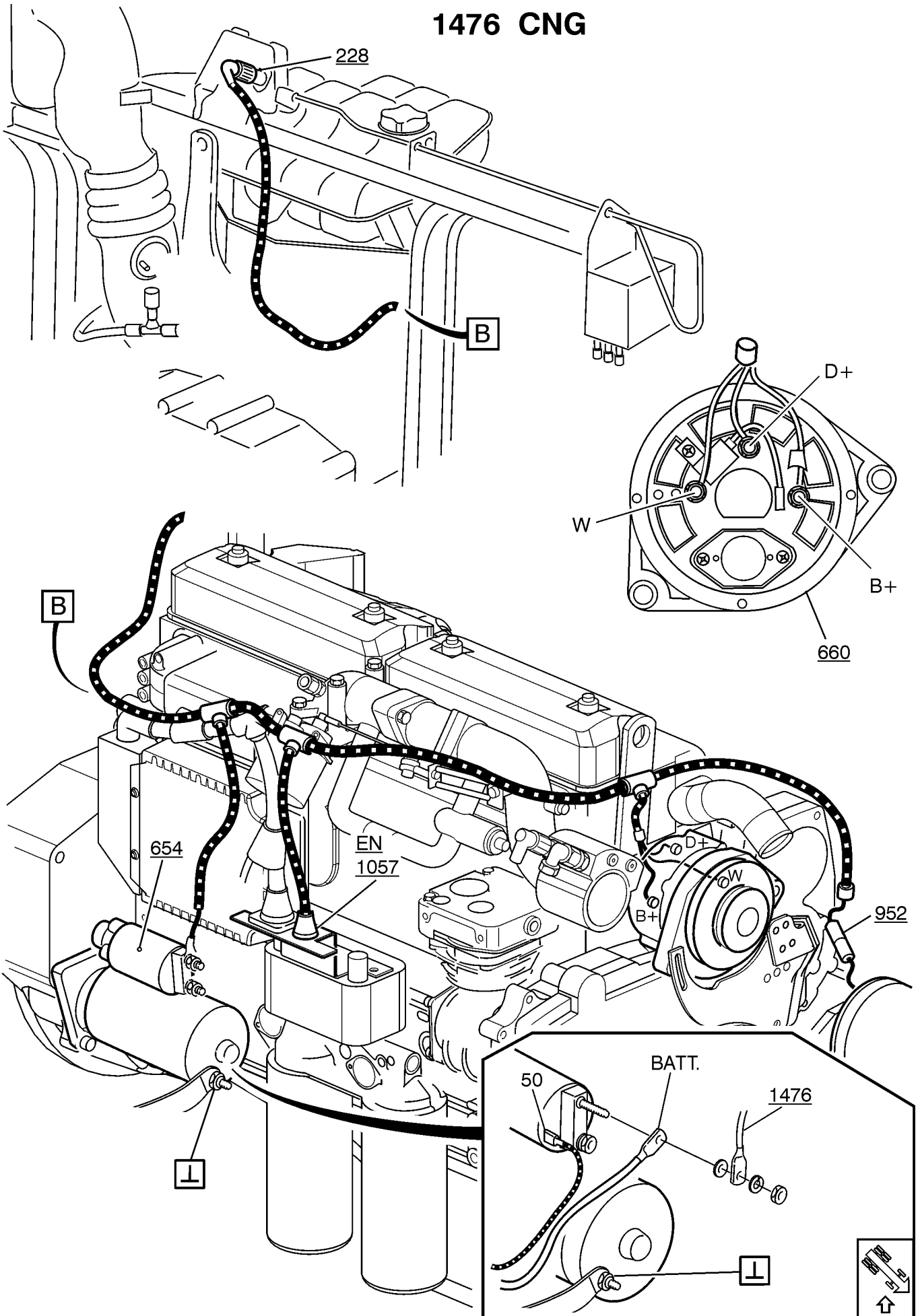
# 1077



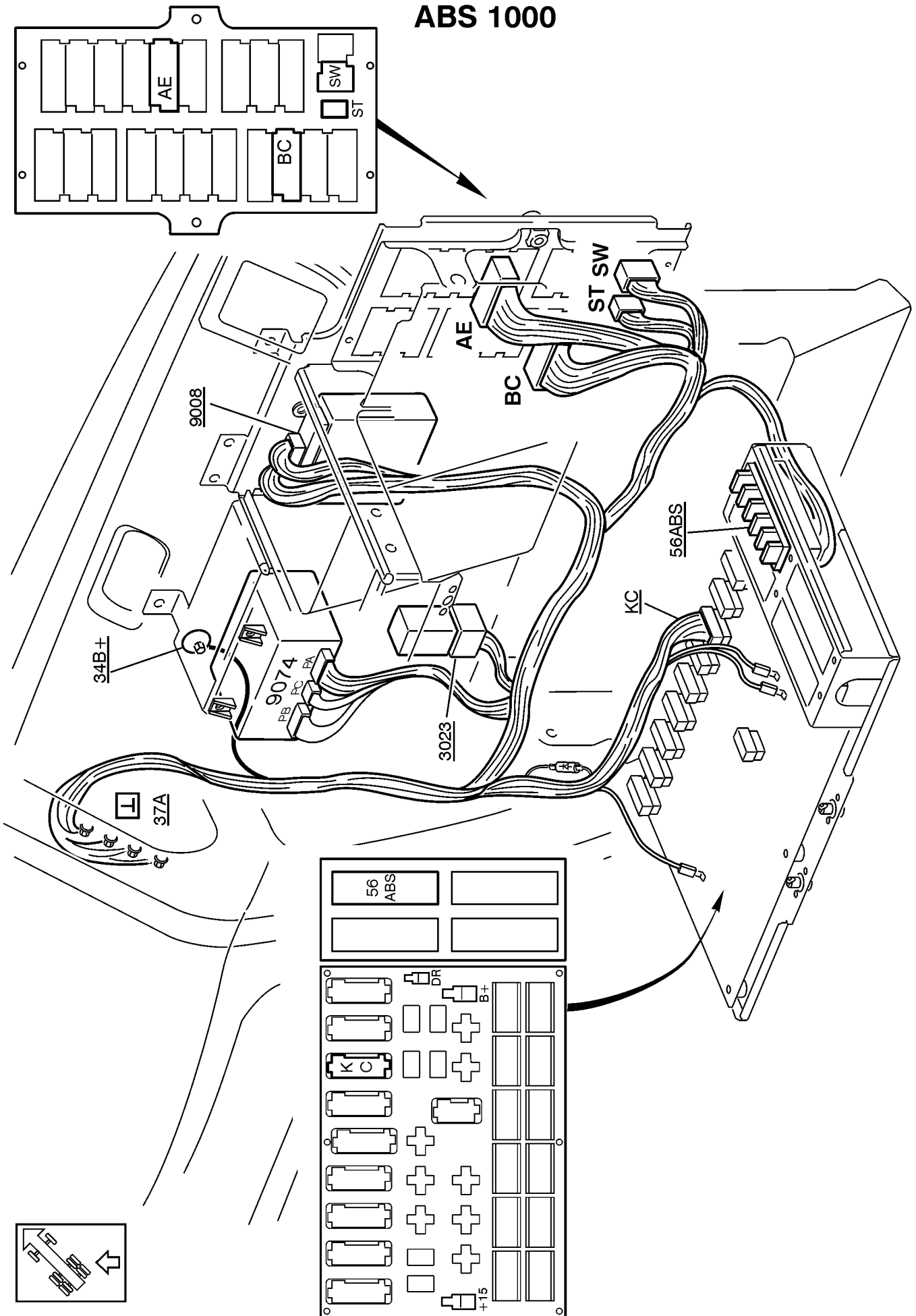
# 1476



# 1476 CNG

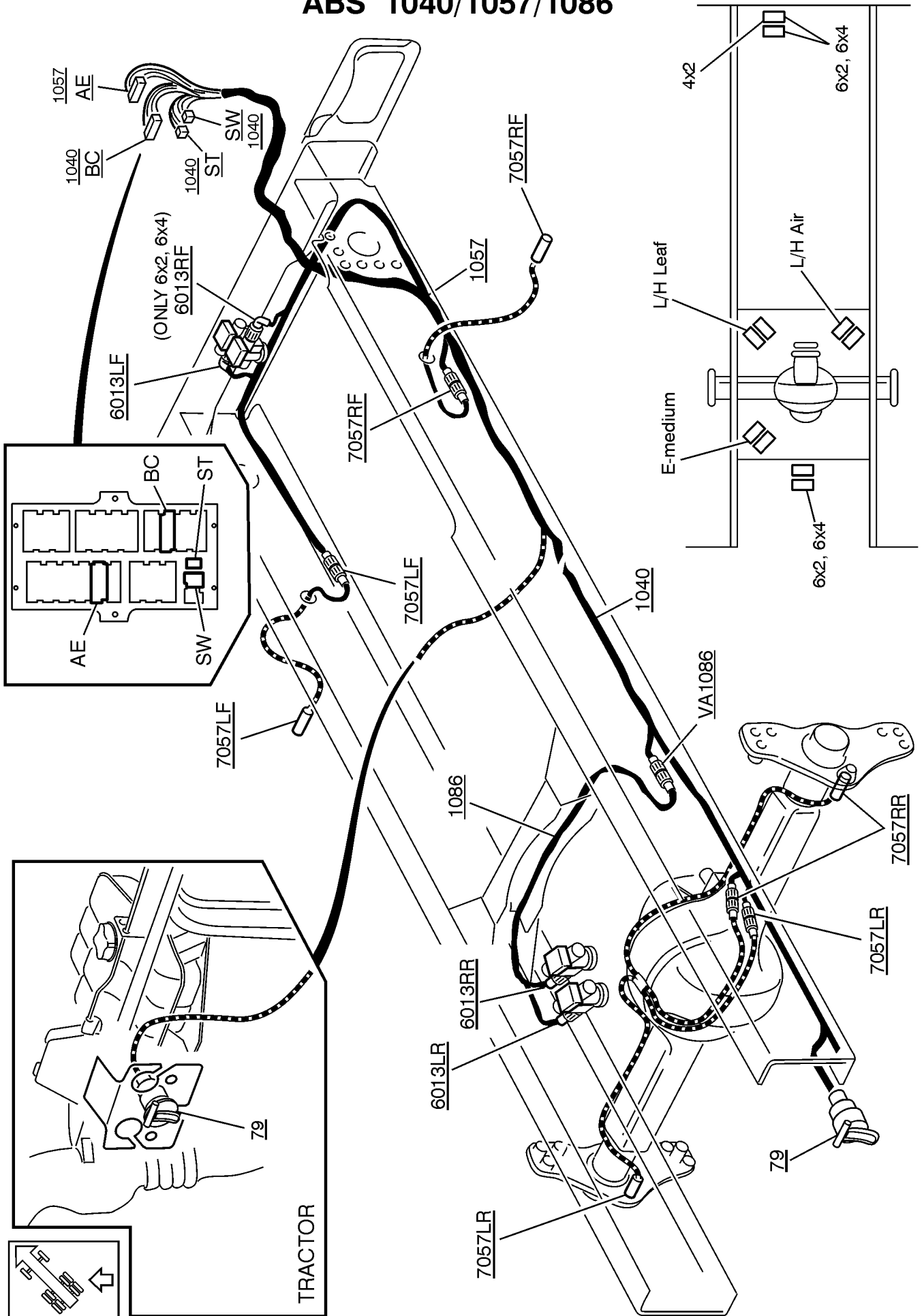


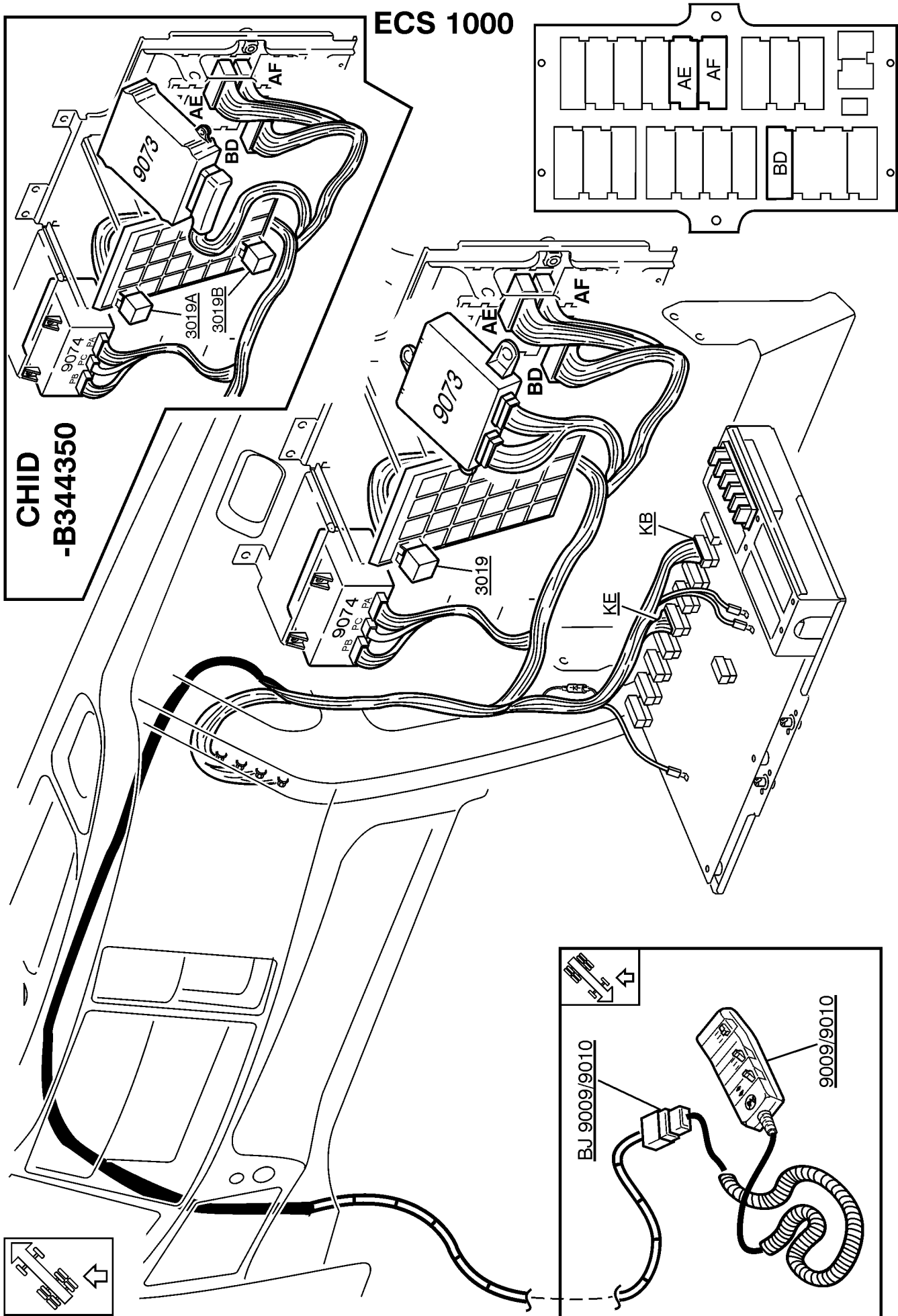
# ABS 1000



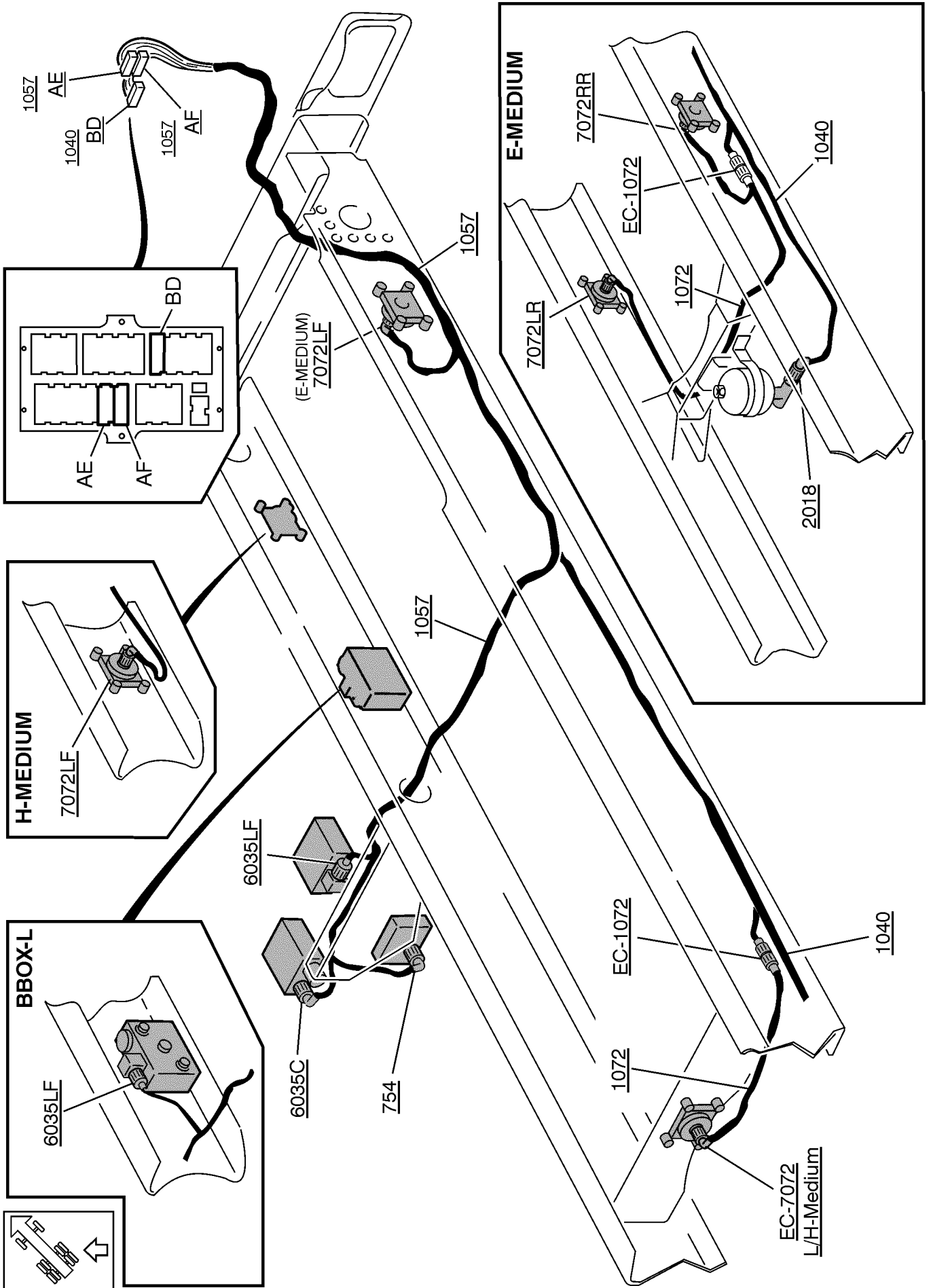


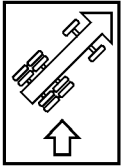
# ABS 1040/1057/1086



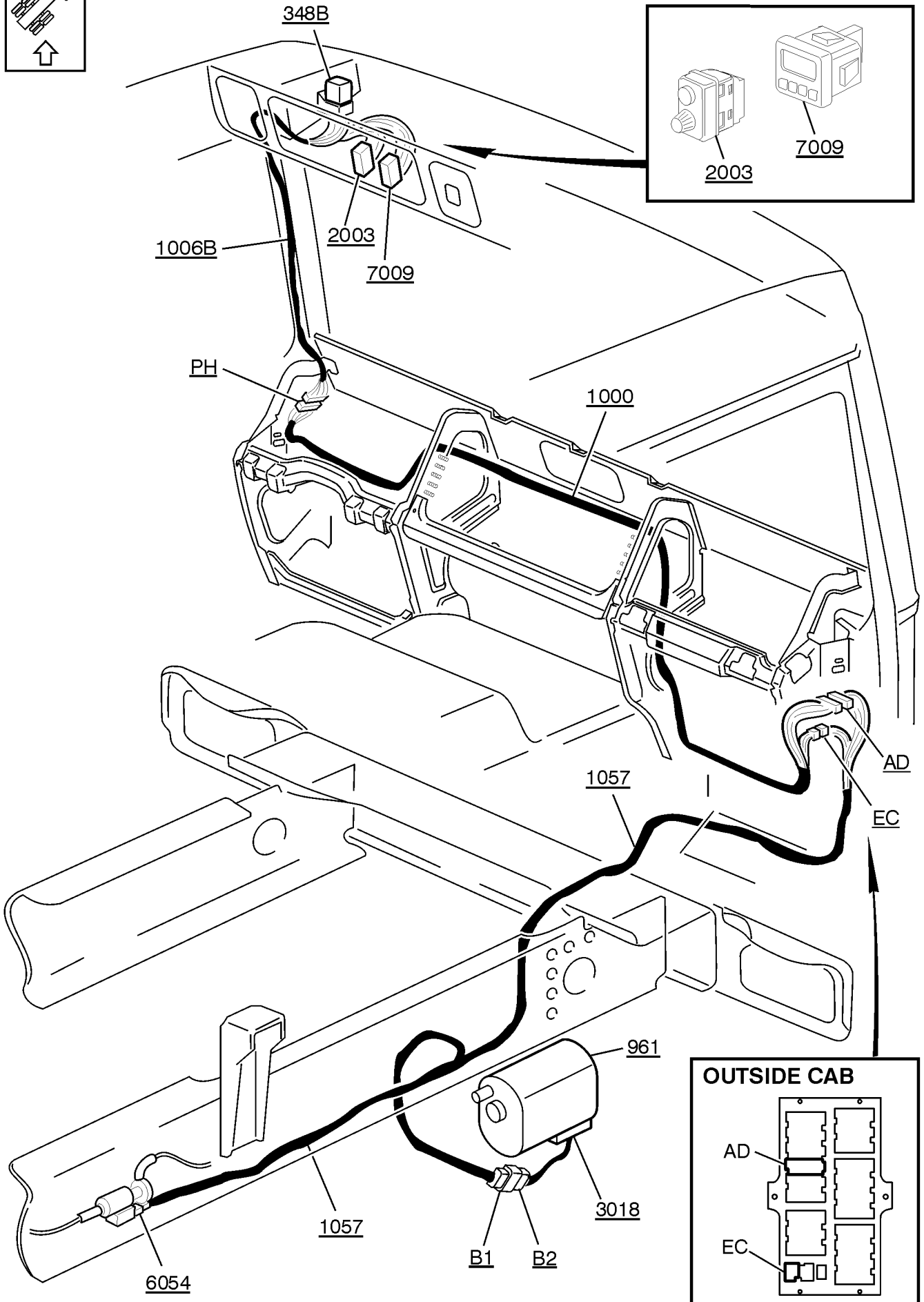


# ECS 1040/1057/1072

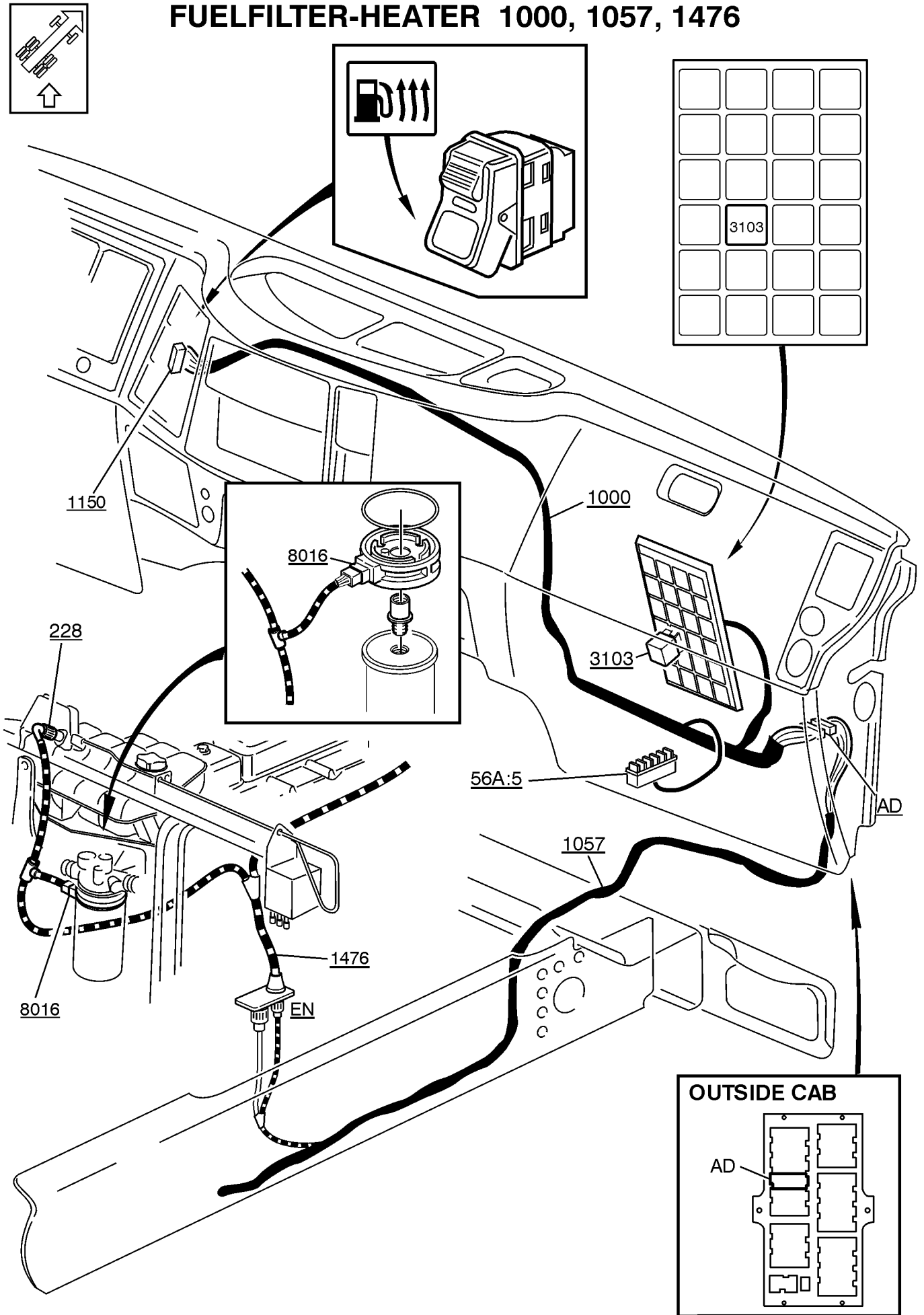




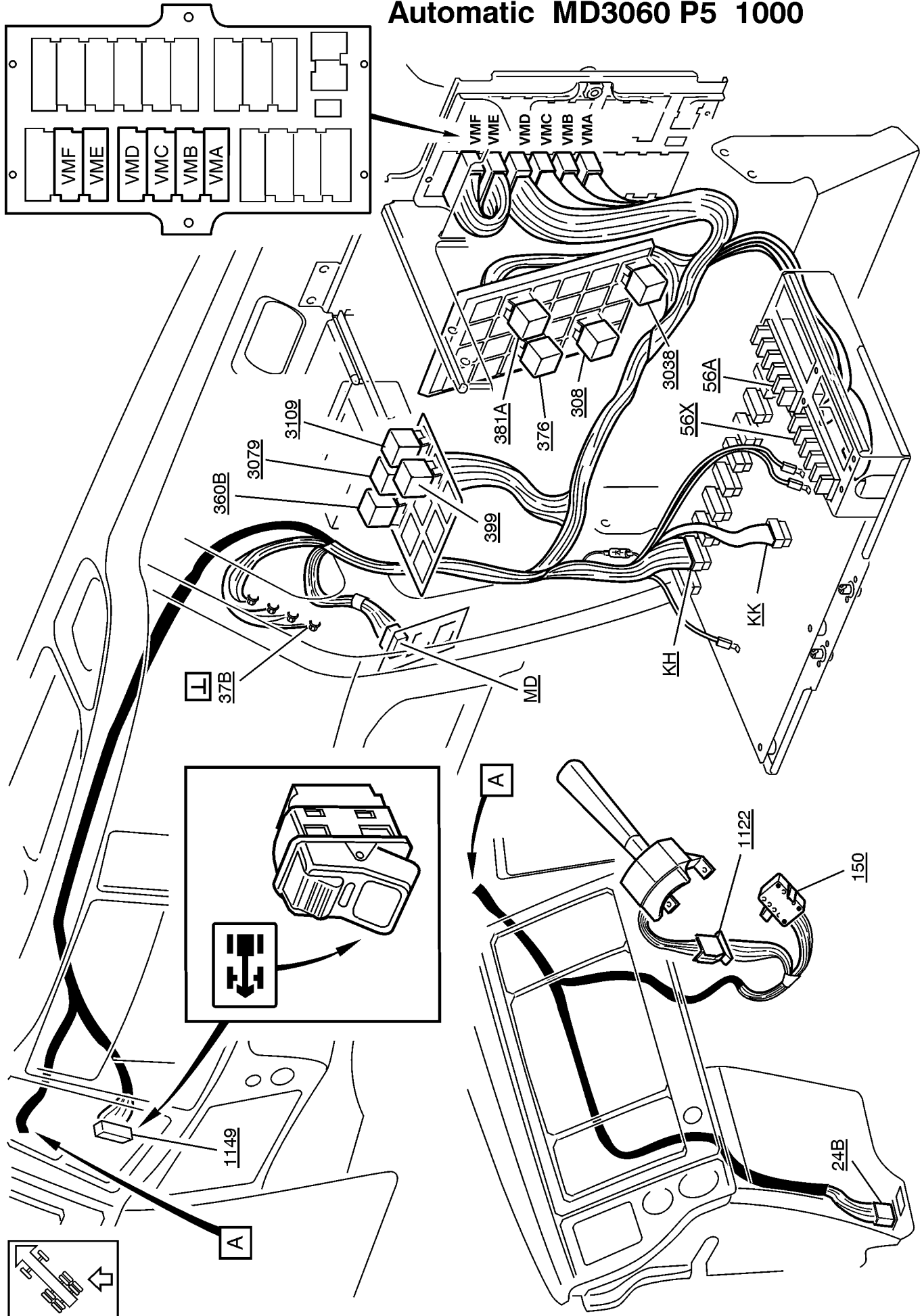
# PH-ENGCA 1000/1006B/1057



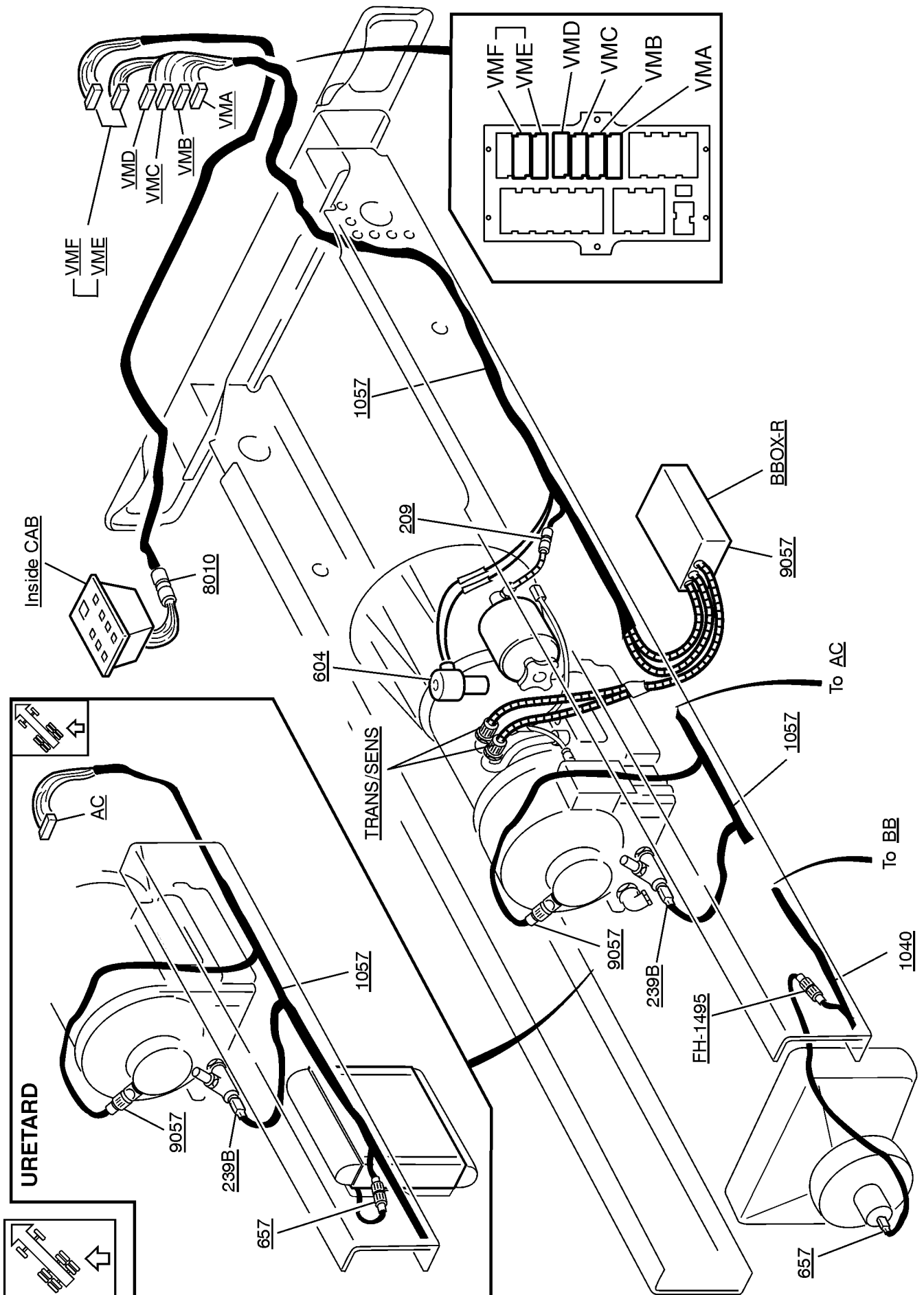
# FUELFILTER-HEATER 1000, 1057, 1476



# Automatic MD3060 P5 1000



# Automatic MD3060 P5 Chassie + 1057/1040



## Illustrations index RHD

-	Indicator lamps and switches .....	page 103
-	Earth connections .....	page 104
-	Battery cables .....	page 88
-	Battery cables, ADR .....	page 89
1000	Cable harness, instruments .....	page 105
1006	Cable harness, cab, upper .....	page 109
1017	Cable harness, engine/cab heater .....	page 110
1018	Cable harness, air conditioning .....	page 112
1020	Cable harness, cowl .....	page 73
1030	Cable harness, engine .....	page 78
1031	Cable harness, automatic transmission, AT545 .....	page 113
1035	Cable harness, differential lock .....	page 83
1040	Cable harness, frame .....	page 81
1057	Cable harness, chassis .....	page 84
1077	Cable harness, side marking lamp .....	page 91
1435	Cable harness, battery master switch .....	page 87
1476	Cable harness, engine, cab .....	page 92

### Unique illustrations for ABS

Cable harness, cab .....	page 114
Cable harness, chassis .....	page 95

### Unique illustrations for ECS

Cable harness, cab .....	page 115
Cable harness, chassis .....	page 97

### Unique illustrations for PH-ENGCA

Cable harness, cab/chassis .....	page 116
----------------------------------	----------

### Unique illustrations for fuel filter heater

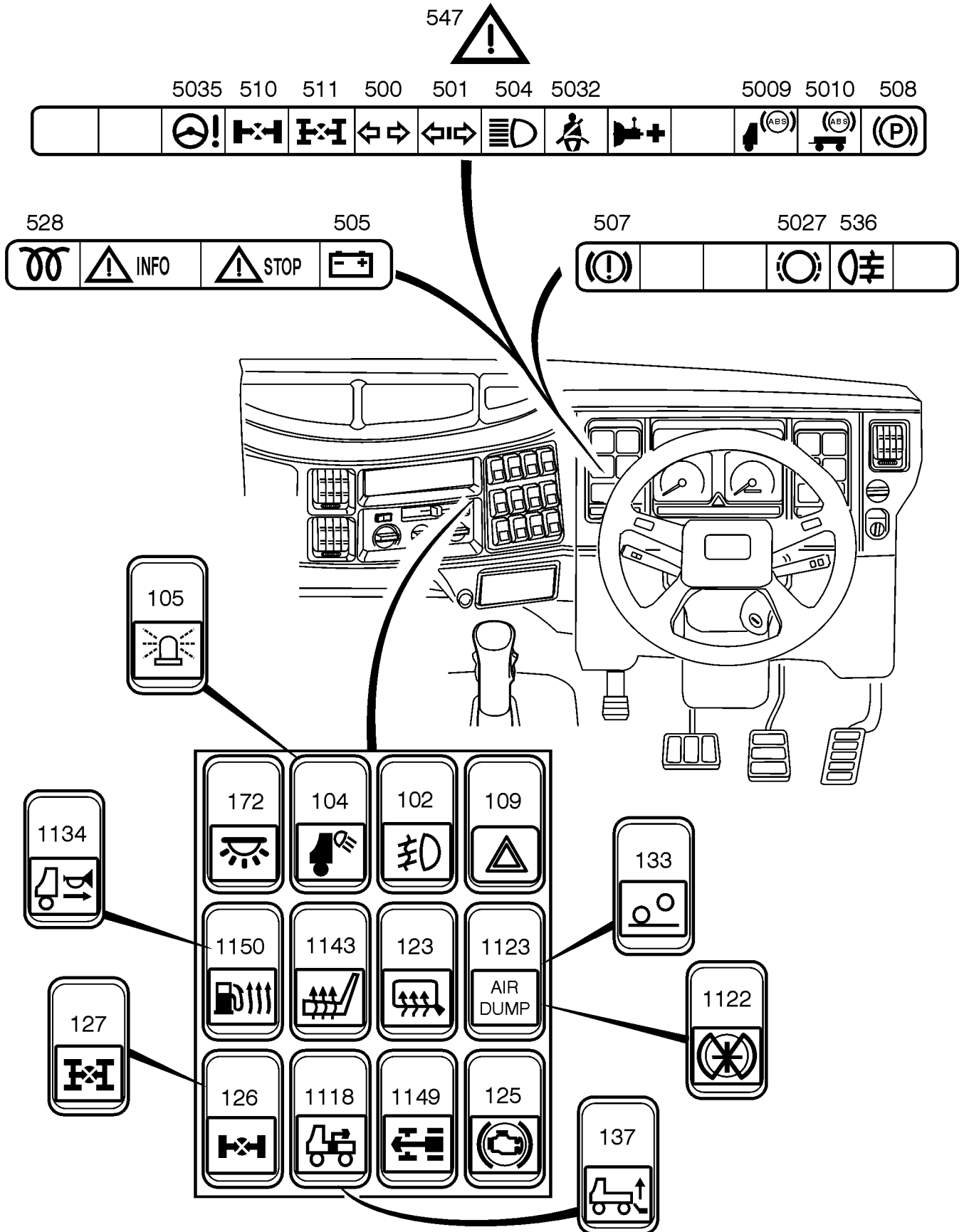
Cable harness, cab/chassis .....	page 99
----------------------------------	---------

### Unique illustrations for gearbox MD3060P5/MD3560P5

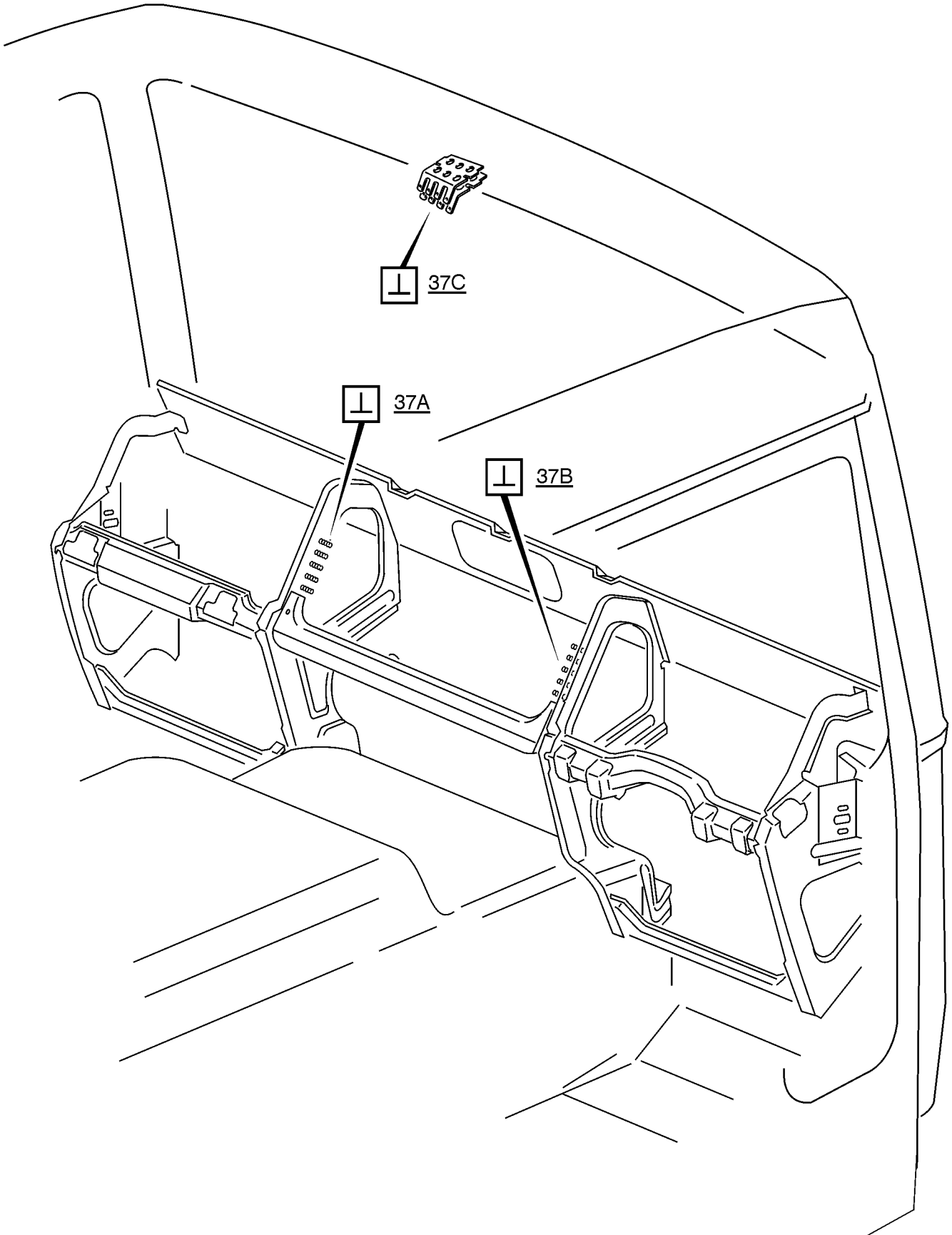
Cable harness, cab .....	page 117
Cable harness, chassis .....	page 101



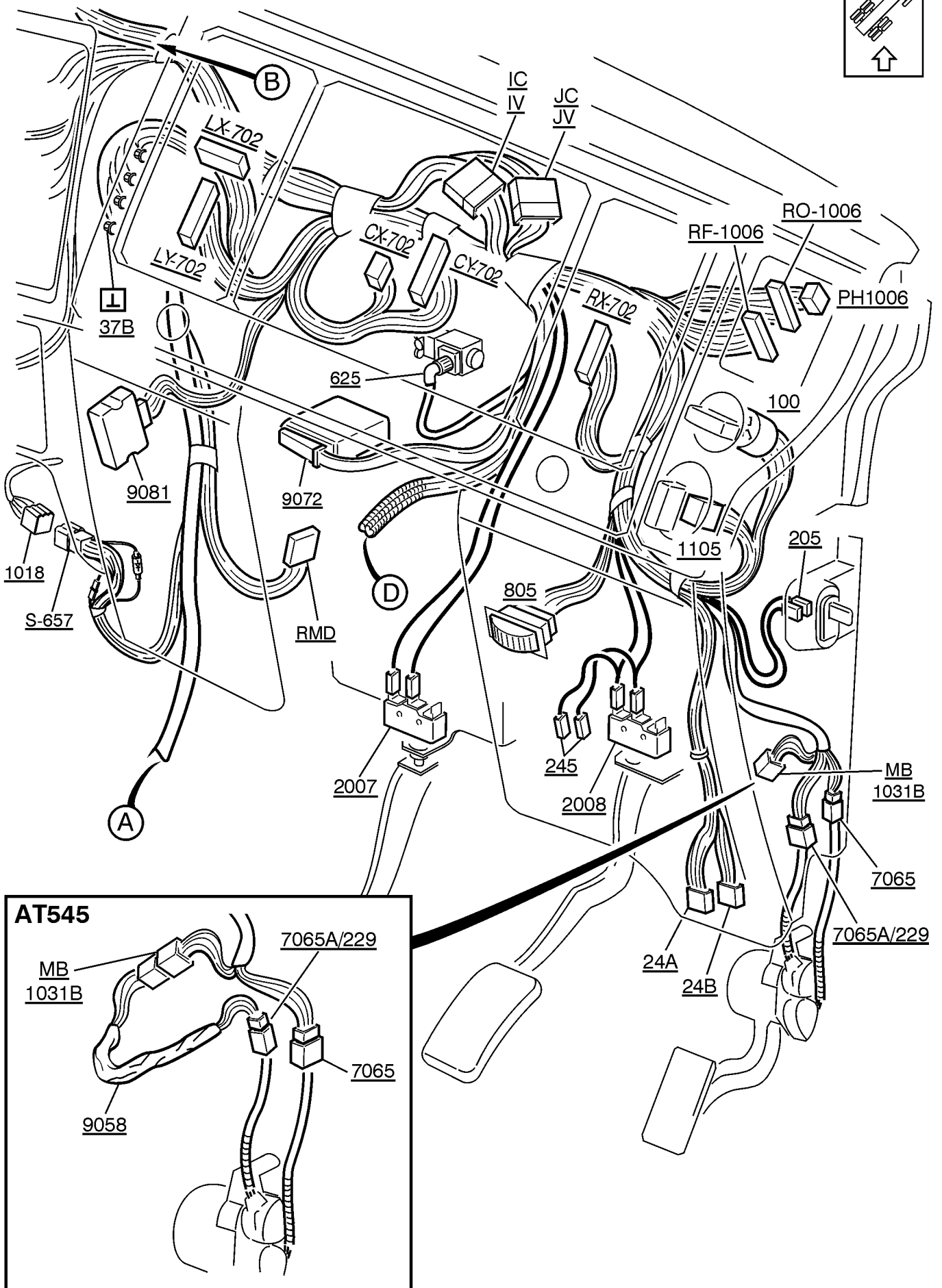
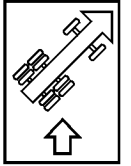
# Illustrations RHD

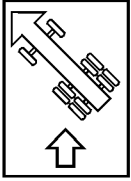


# EARTH CONNECTIONS

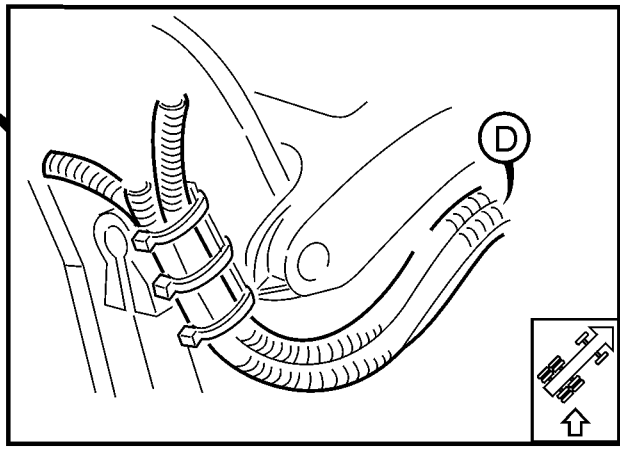
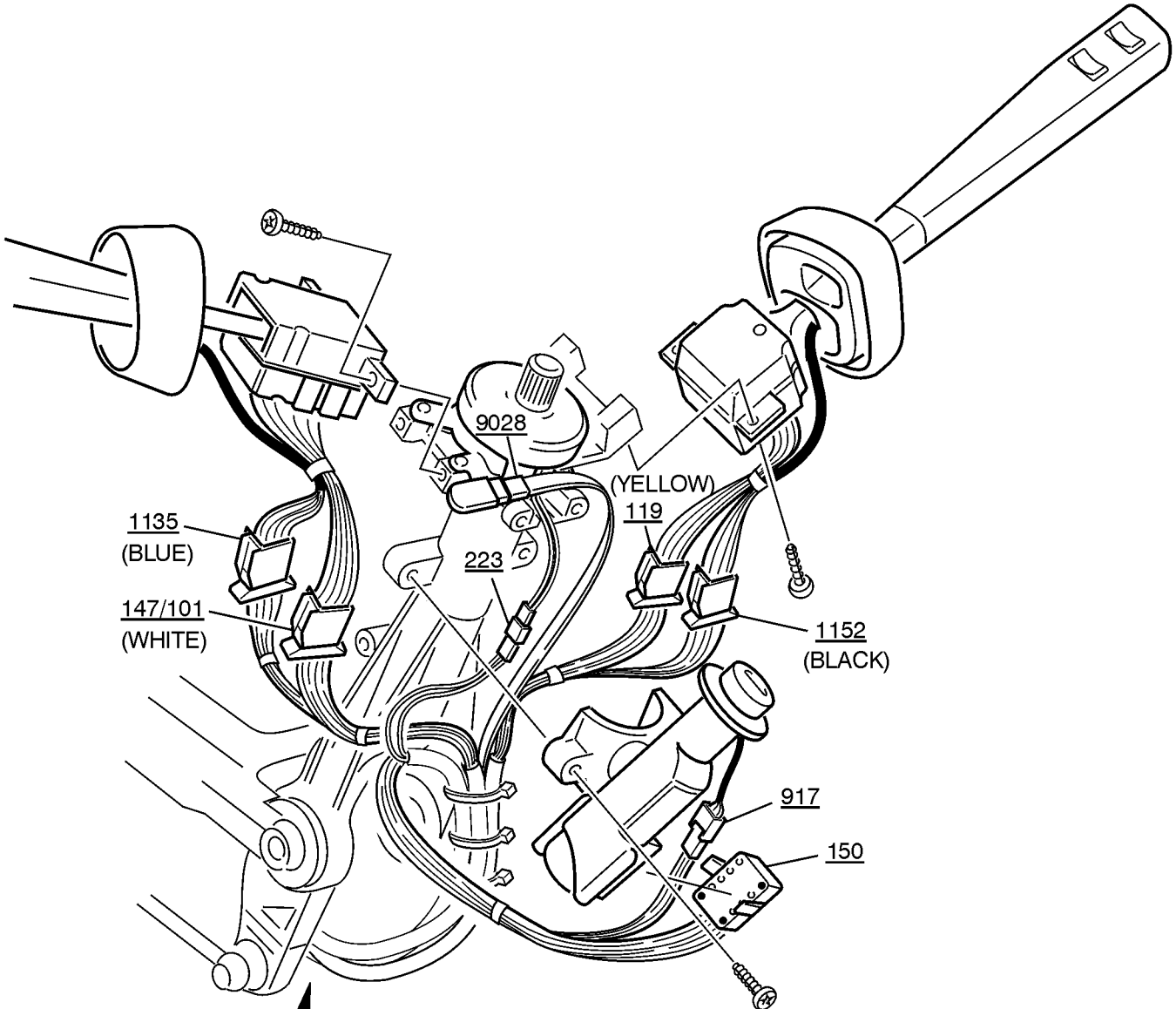


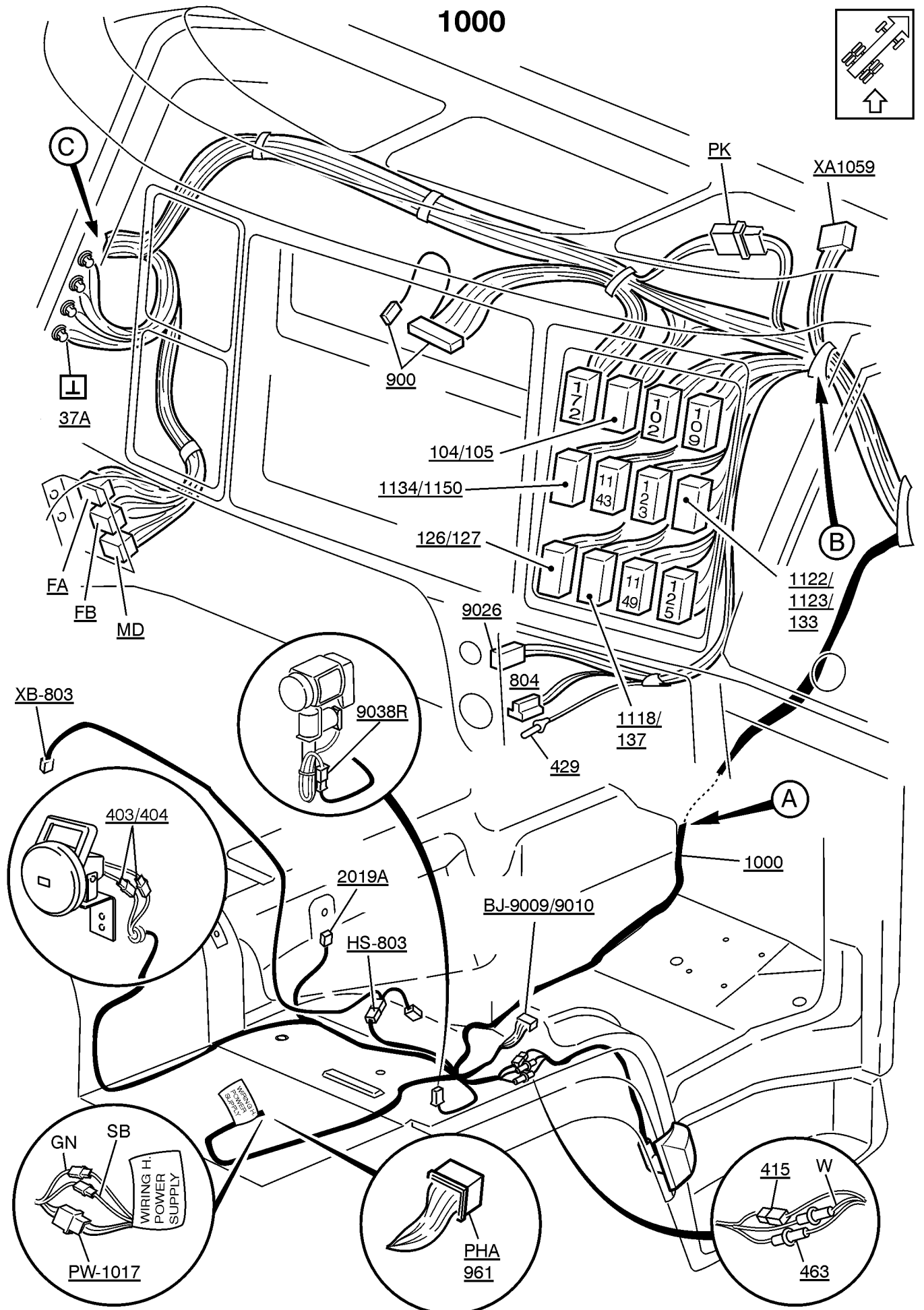
# 1000

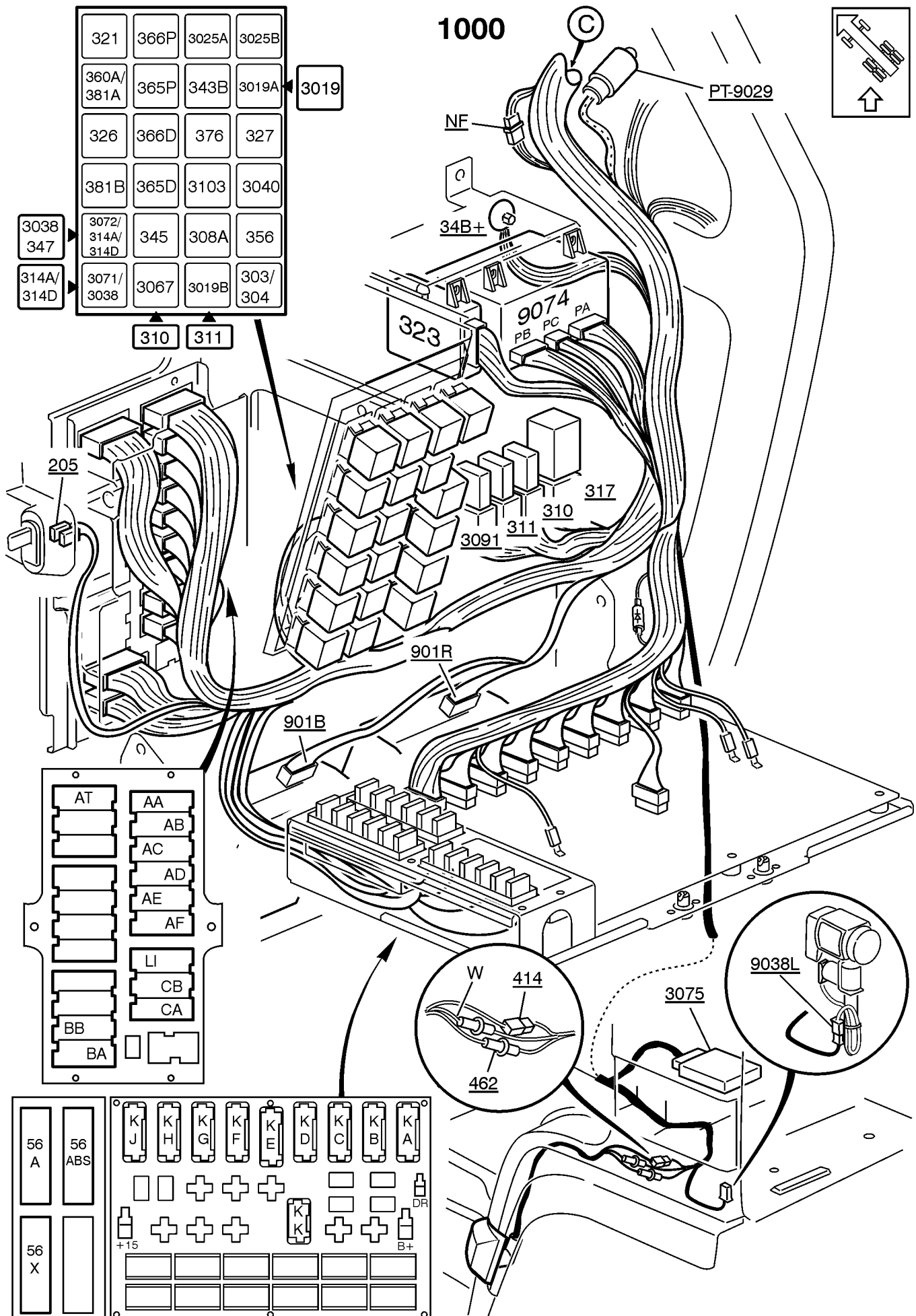




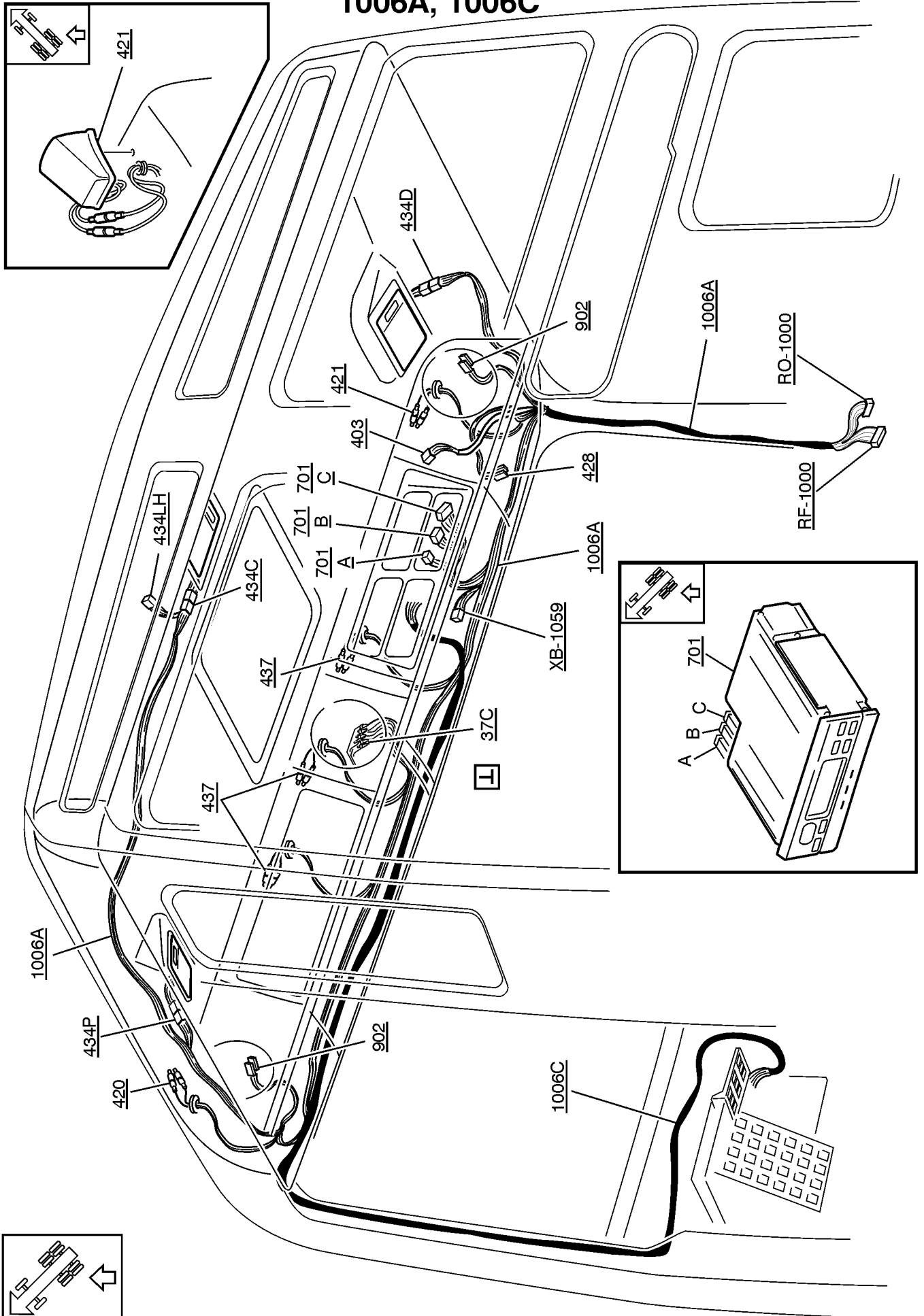
# 1000

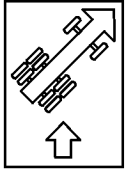




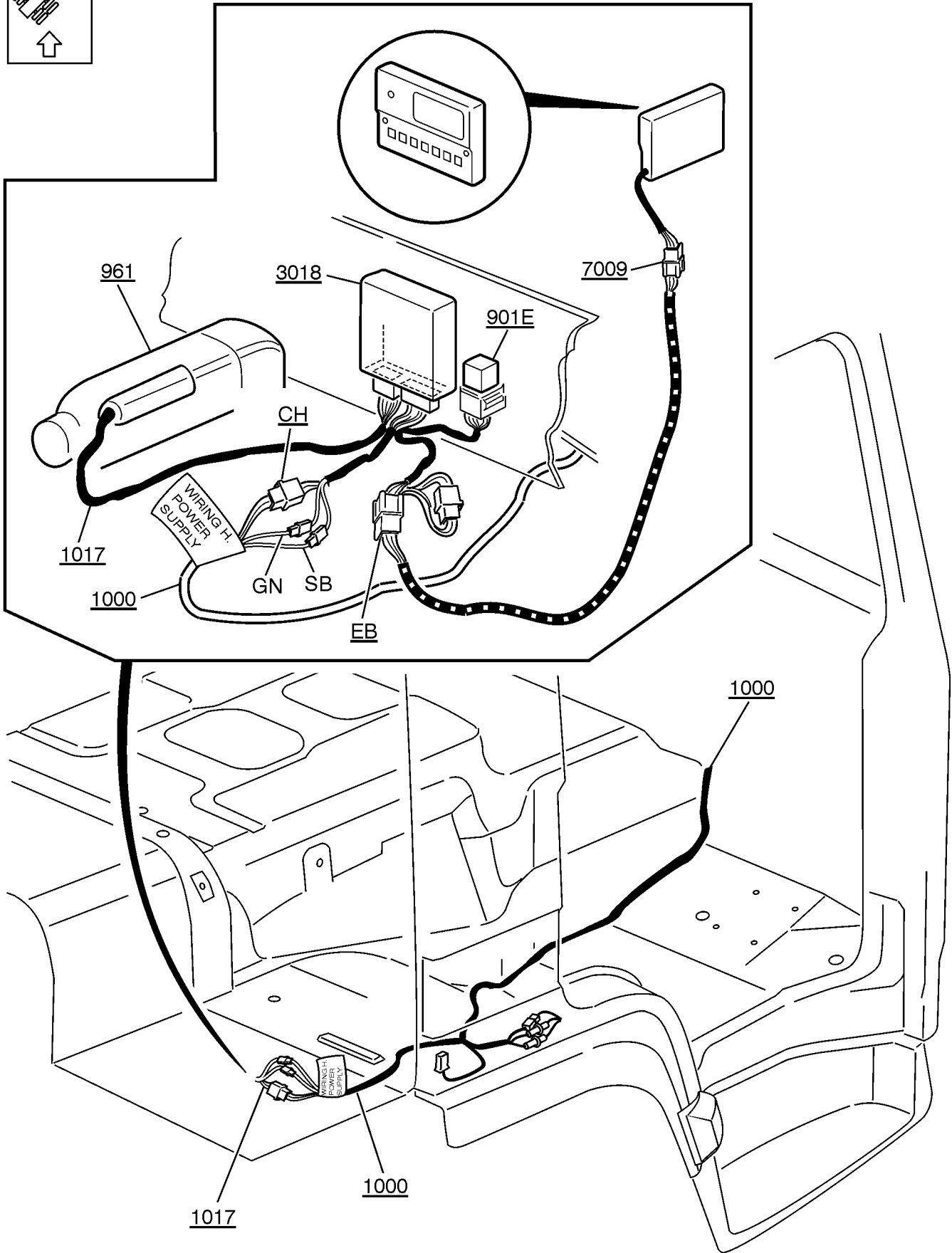


# 1006A, 1006C



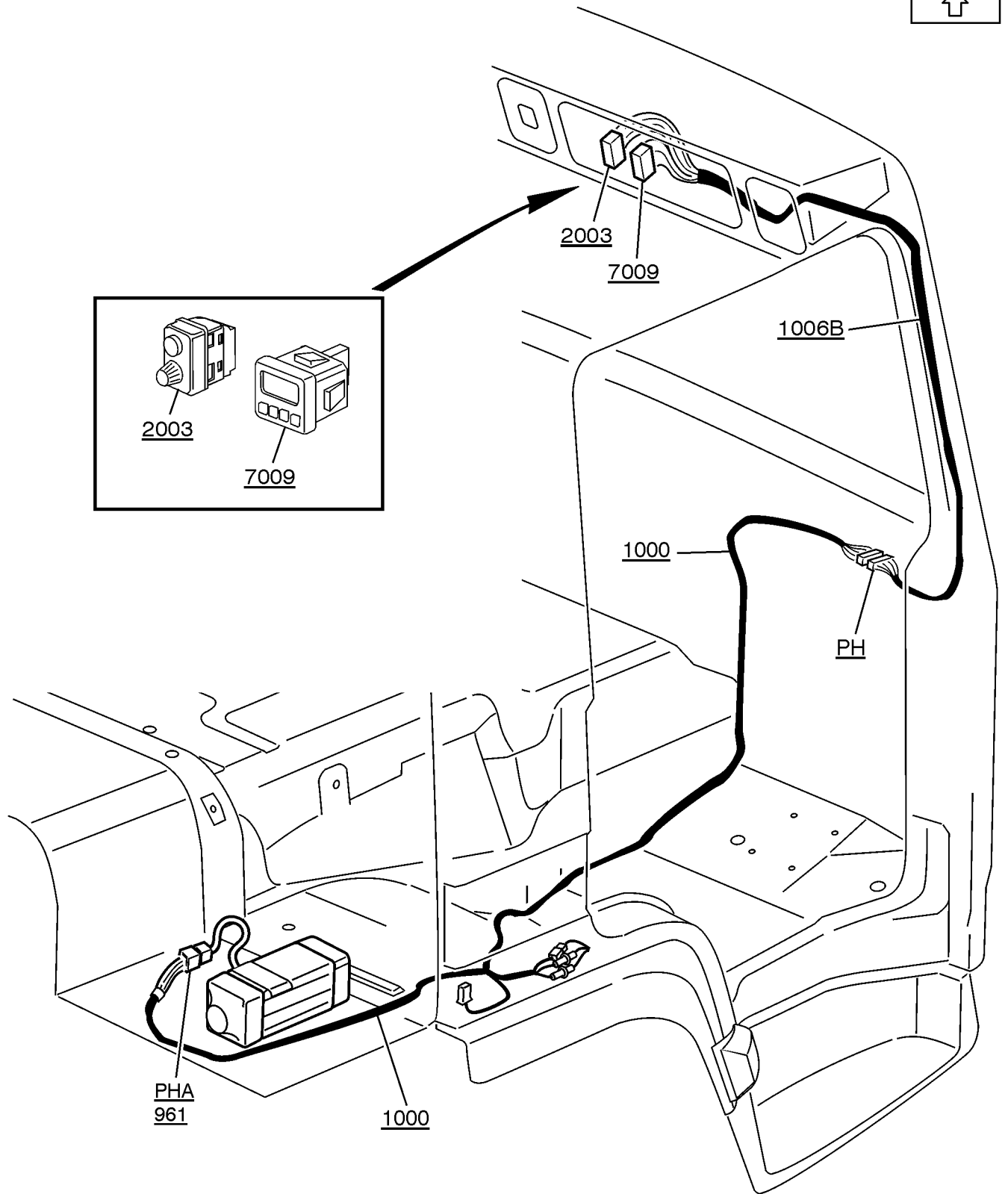
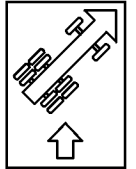


# 1017 EberSpracher

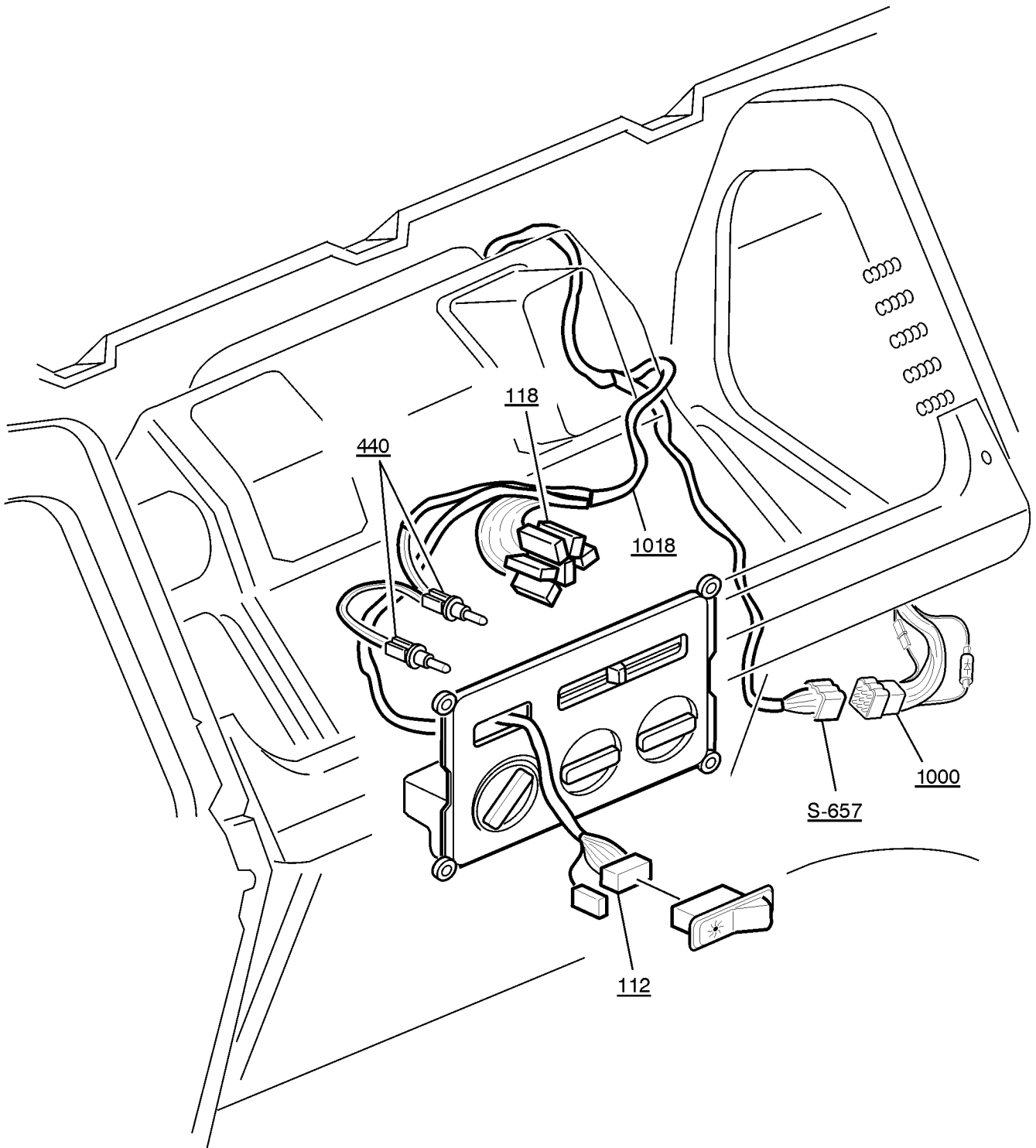




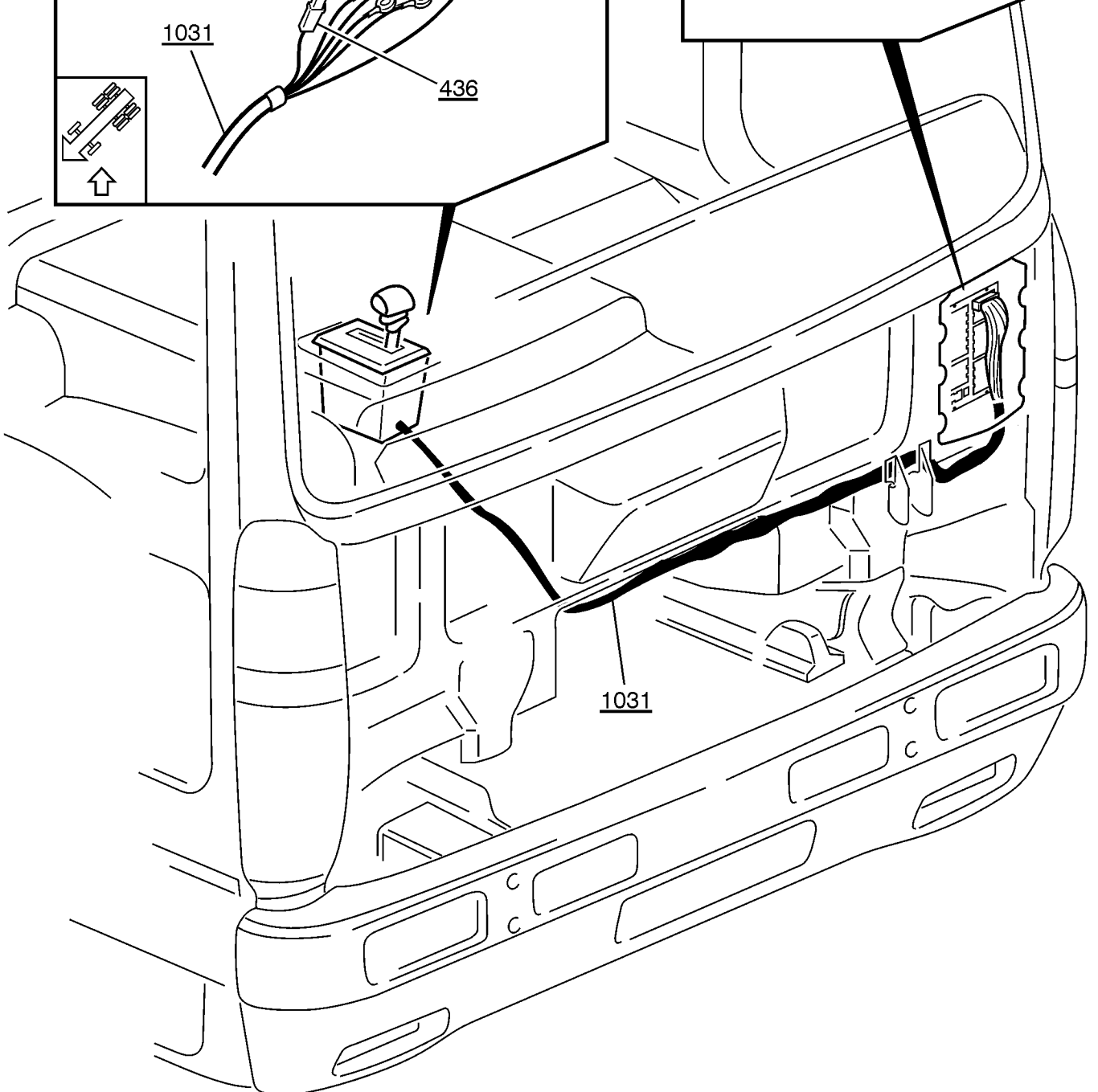
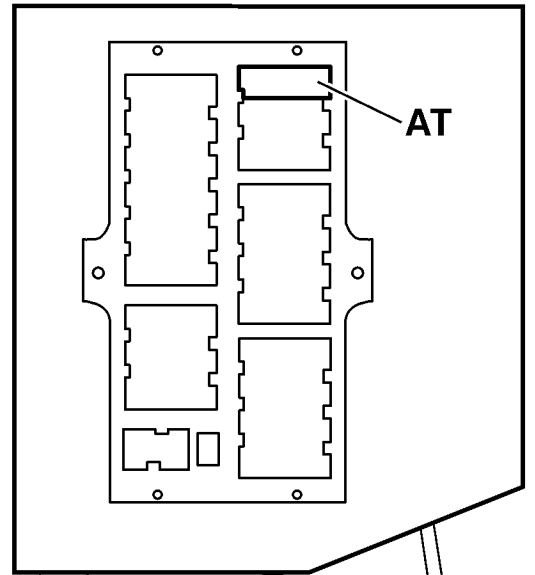
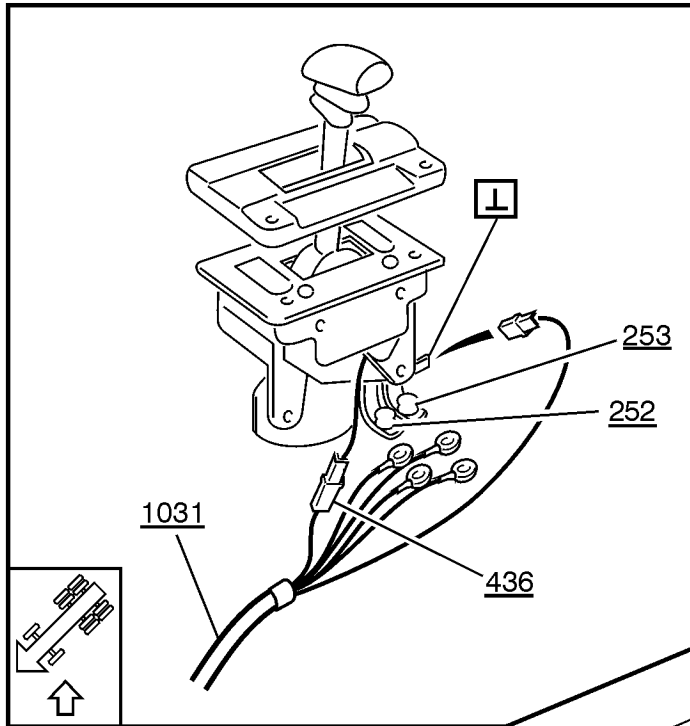
# 1017 Webasto



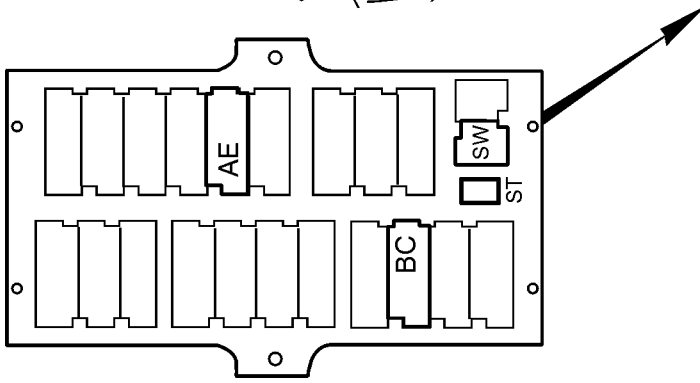
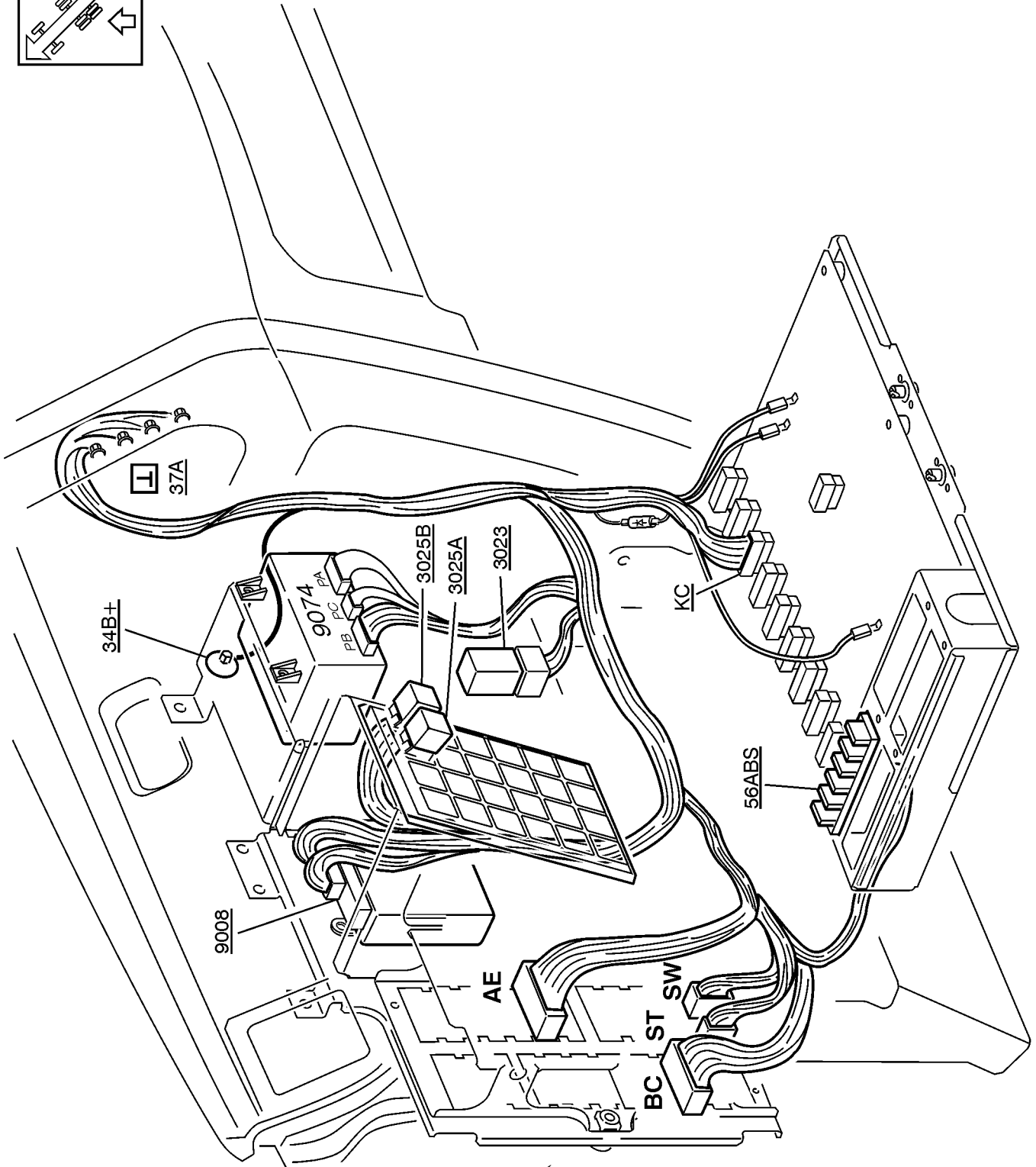
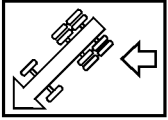
# 1018

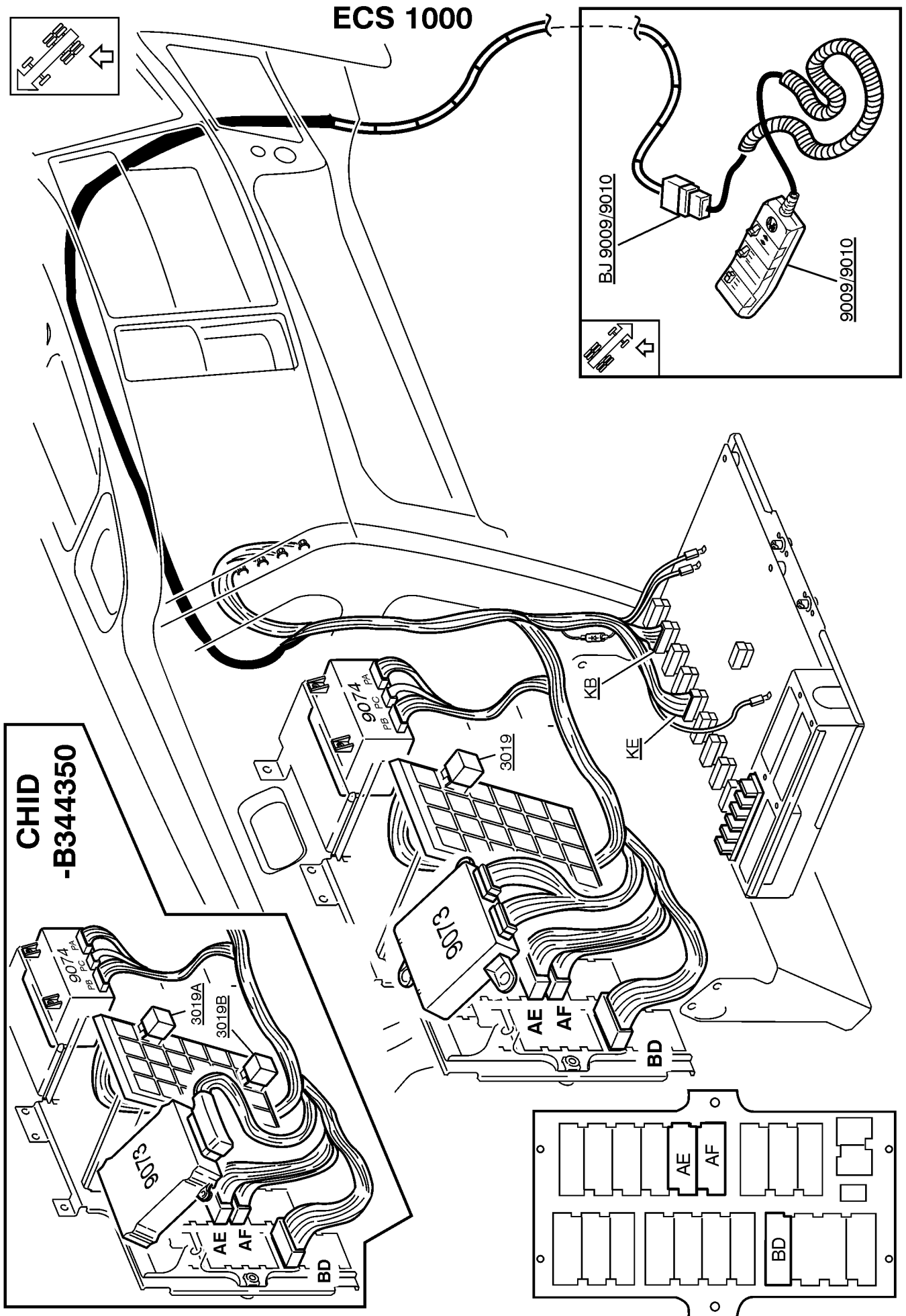


# 1031

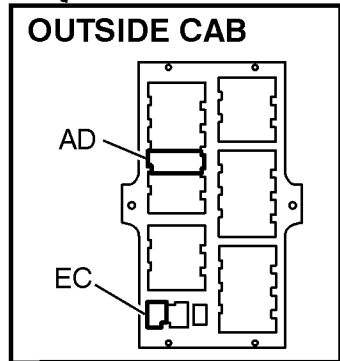
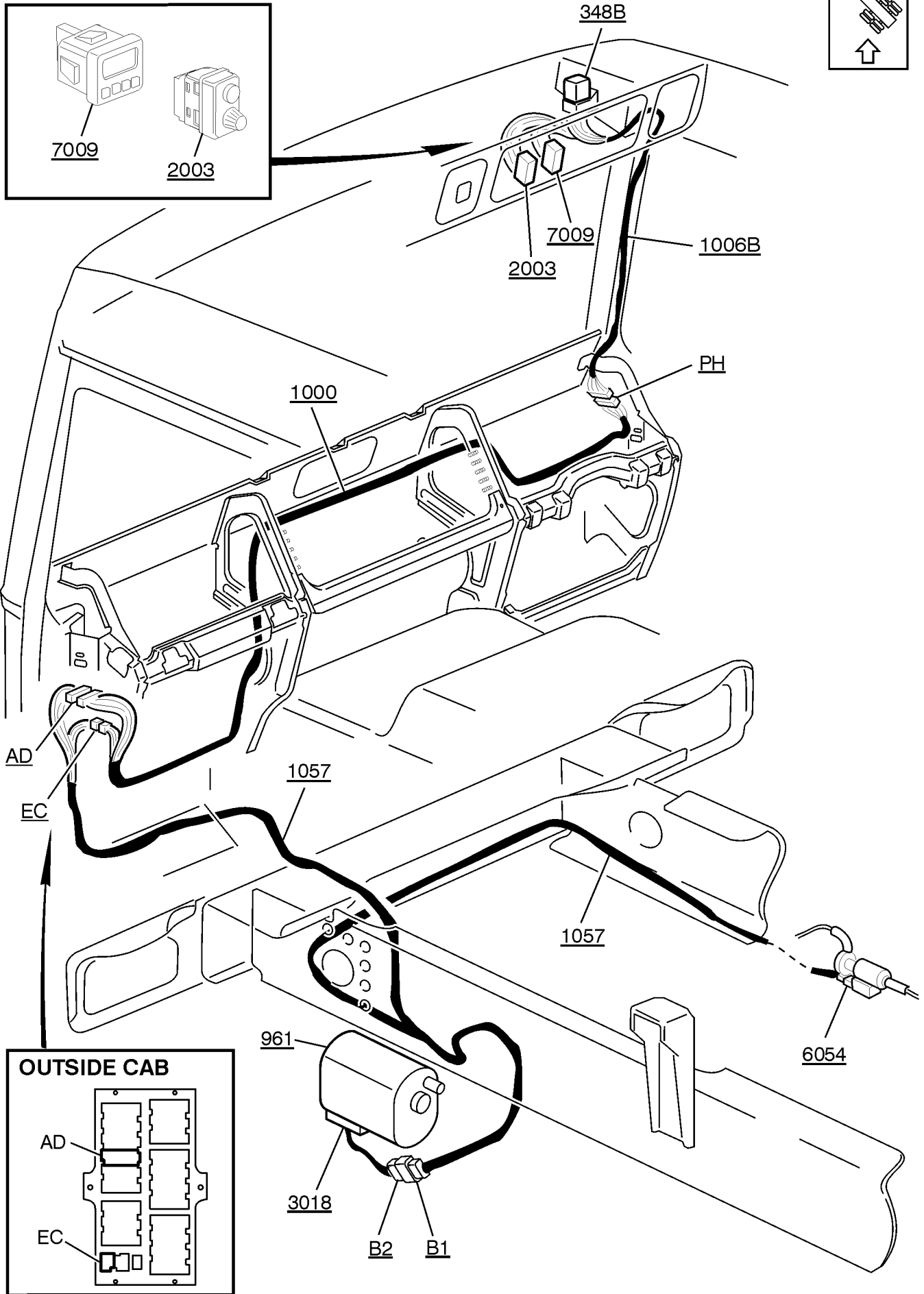
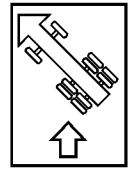
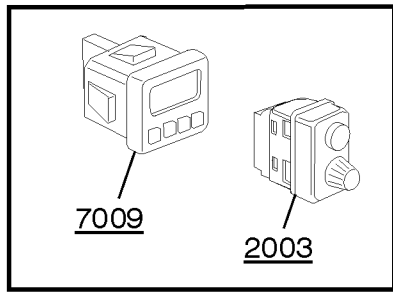


# ABS 1000

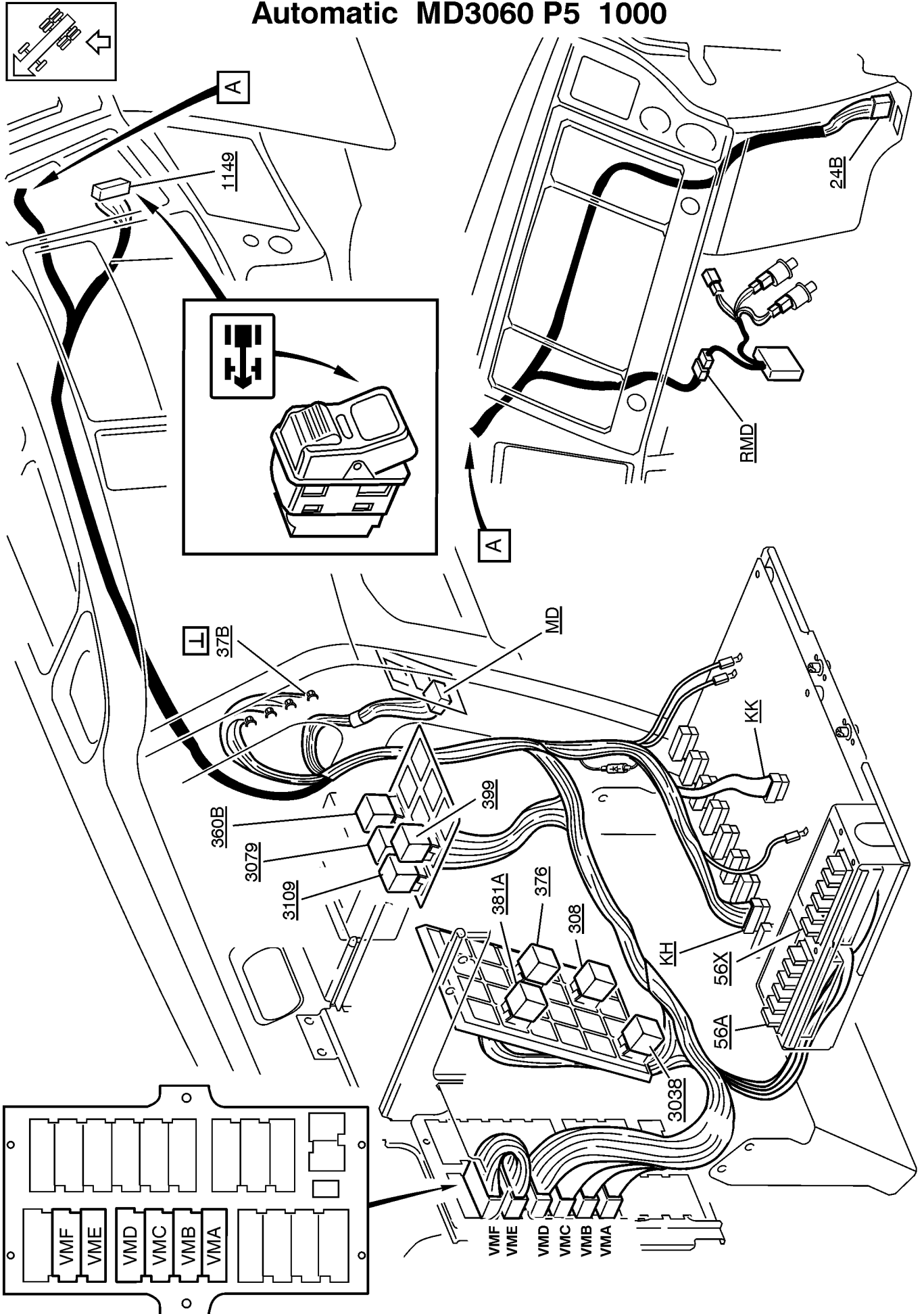




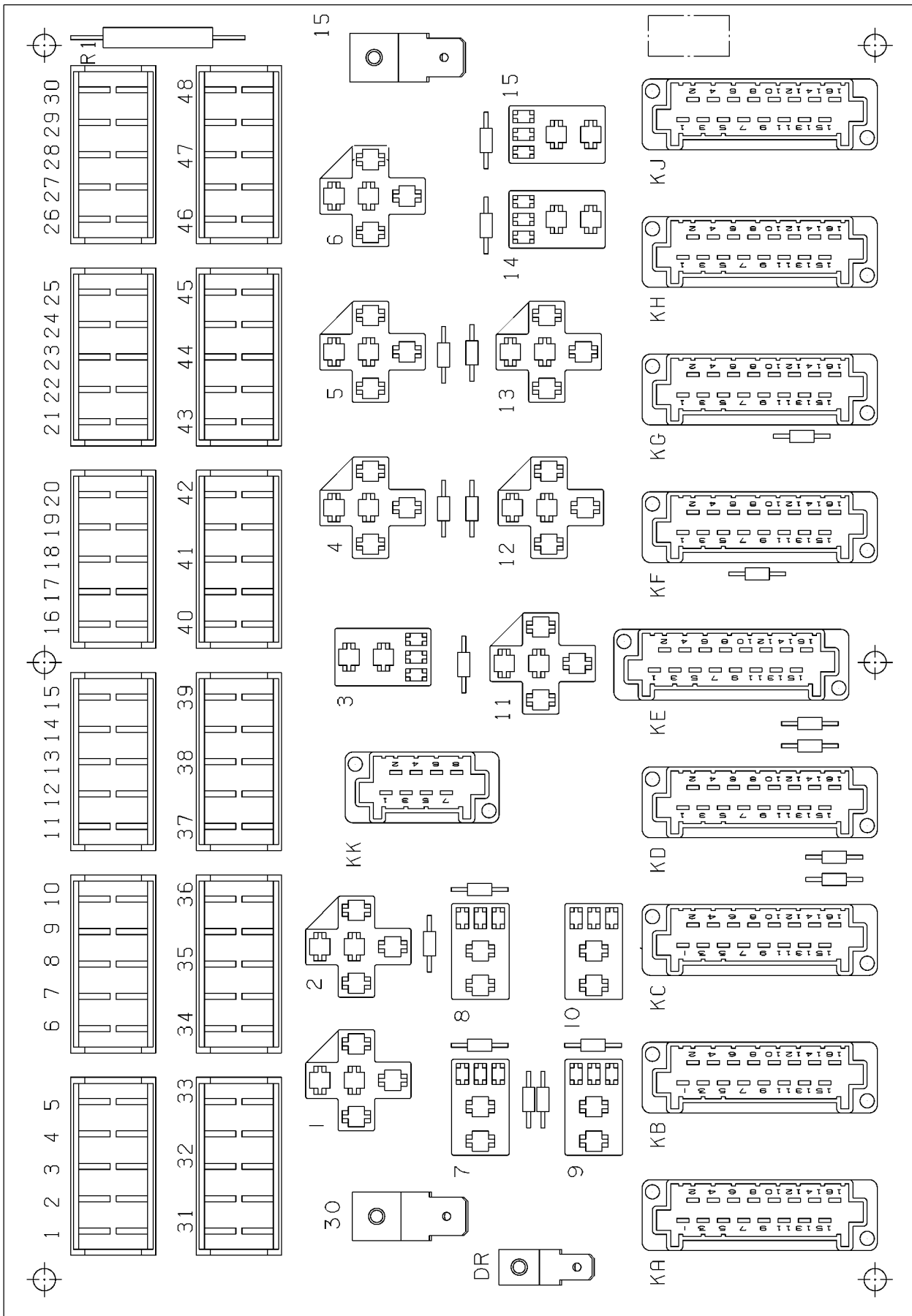
# PH-ENGCA 1000/1006B/1057



# Automatic MD3060 P5 1000



# Circuit card electrical centre





## Fuses on circuit card electrical centre

F1	Air suspension, hydraulic bogielift, neutral start AT545 (kl.DR) .....	(AA24)	F26	Differential lock, power take off ...	(LG6)
F2	Range inhibitors .....	(AC7)	F27	Air conditioning .....	(HA3)
F3	Airbag .....	(AA20)	F28	Direction indicator, Instrumentation (kl.15) .....	(CN9)
F4	Central doorlock .....	(KH8)(KH17)	F29	Horn .....	(FA7)
F5	Interior light .....	(ER5)	F30	Cigarette lighter, air-dump .....	(EV6)
F6	Brakelight trailer .....	(CK17)	F31	Voltage divider for 12V. outlet .....	(EX14)
F7	Instrumentation (kl.30) .....	(NF9)(NZ3)	F32	Foglight, rear foglight .....	(CG6)
F8	Voltage converter for radio ...	(EX7)	F33	Park. light truck lhs .....	(CE19)
F9	Brakelight truck .....	(CK9)	F34	Park. light trailer lhs .....	(CE22)
F10	Spotlight .....	(CH5)	F35	Rotation lamp .....	(ER17)
F11	Fullbeam flash .....	(CE64)	F36	Park. light trailer rhs .....	(CE24)
F12	Air suspension (kl.30) .....	(MF41)(MG26)(MH41)	F37	Park. light truck rhs .....	(CE26)
F13	El. heated rearview mirrors .	(HG4)	F38	Direction indicator, hazard warning light (kl.30) .....	(CN13)
F14	Preheating, relay "radiopos." .....	(AA8)	F39	Dipped beam rhs .....	(CE58)
F15	Dipped beam lhs .....	(CE54)	F40	Fullbeam rhs .....	(CE60)
F16	Fullbeam lhs, high pressure system .....	(CE56)	F41	El. window winder, passenger side .....	(KA21)
F17	Radiopos. startswitch .....	(AA29)	F42	El. window winder, driver side ...	(KA4)
F18	Preheating relay .....	(BJ51)(BZ13)	F43	Engine ECU .....	(BJ23)(BZ8)
F19	Vehicle ECU .....	(AC20)	F44	Revers light, revers warning, loading light, fifth wheel light .....	(EA9)
F20	Solenoid valve exhaust brake, AT-govenor .....	(BJ42)(BZ10)	F45	Fan, climate unit .....	(HA7)
F21	Instrumentation, el. heated mirror relay (kl.61) .....	(NA59)	F46	Heated seat .....	(HE6)
F22	DRL (day running light/Dim-dip) .....	(CE41)	F47	Windscreen wiper .....	(GA27)
F23	Spare (kl.61) .....	(HM22)	F48	Windscreen and headlamp washer .....	(GA18)
F24	Extra equipment "XA", relay bodybuilder fusebox (kl.15) ..	(XA38)			
F25	El. adjustable mirrors, relay padwear .....	(HH5)			

## Extra fuse holders

### 56A

1	Parking heater .....	(XA7)
2	Extra cooler .....	(XA9)
3	Bodybuilder connection .....	(XA11)
4	Automatic gearbox .....	(XA13)
5	Fuel filter heater .....	(XA15)
6	Spare .....	(XA17)

### 56ABS

1	Supply ABS trailer .....	(OA22)
2	Supply ABS truck .....	(OA31)
3	Spare .....	(OA36)
4	ABS trailer info unit .....	(OA16)
5	Spare .....	(OA39)

### 56X

1	"B+"Extra trailer connection (78/4) .....	(XA20)
2	"B+"Feeder pump engine .....	(XA22)
3	"15+"Extra trailer connection (78/6) Automatic gearbox .....	(XA24)
4	"15+"Extra cooler .....	(XA26)
5	"61"Spare .....	(XA28)
6	"58"Position light body .....	(XA30)

## Relays on circuit card electrical centre

301	Relay, fog light"9" .....	(CG5)	315R	Relay, key switch, radio position"4" .....	(AA28)
305	Relay, reverse light"12" .....	(EA8)	343	Relay, rear foglight"7" .....	(CG12)
306	Relay, full beam"11" .....	(CE55)	348A	Relay, fan, climate unit"13" .....	(HA7)
307	Relay, dipped beam"3" .....	(CE48)	360	Relay, power take off inhibitor"14" .....	(LD4)(LE4)
308	Relay, brakelight truck"8" .....	(CK8)	379	Relay, fuel injection"5" .....	(AC18)
308B	Relay, brakelight trailer"10" .....	(CK15)	3005	Alternator-controlled relay"6" .....	(AA41)
309L	Relay, parking light lhs"1" .....	(CE19)	3101	Relay, interior lamps"15" .....	(ER14)
309R	Relay, parking light rhs"2" .....	(CE26)			

## Extra relays

303	Relay, loading light	(ED6)	366D	Relay, el. window winder, driver down	(KA14)
304	Relay, fifth wheel light	(ED21)	366P	Relay, el. window winder, passenger down	(KA31)
308A	Relay, brake lights md-gearbox	(BM62)	376	Relay, power take-off md-gearbox	(BM50)(BM75)
310	Relay, direction indicator left	(CN1)	381A	Relay, extra cooling md-gearbox	(LK34)
311	Relay, direction indicator right	(CN23)	381B	Relay, extra body	(XD14)
321	Relay, interval wipe	(GA24)	3019	Relay, airsuspension	(MF39)(MG25)(MH39)
326	Relay, extra fuse holder	(XA3)	3019A	Relay, airsuspension	(MF26)(MG13)(MH26)
327	Relay, heated mirror	(HG4)	3019B	Relay, airsuspension	(MF37)(MG24)(MH37)
342	Relay, battery master switch	(ZD13)	3126	Relay, D+ short-circuit	(ZD35)
343B	Relay, rear fog	(HC36)	3040	Relay, heated seat	(HE6)
345	Relay, start inhibitor	(LK4)	3067	Relay, padwear indicator	(NC35)
347	Relay, gear change inhibitor	(AC2)	3071	Relay, central lock, open door	(KH10)
348	Relay, fan	(HD13)	3072	Relay, central lock, lock door	(KH16)
348B	Relay, fan	(HD14)	3091	Relay, fuel pump	(BJ61)
356	Relay, DRL-dayrunning lights	(CE40)	3103	Relay, fuel filter heater	(HM12)
360	Relay, engage inhibitor, power take off	(LD4)(LE4)			
365D	Relay, el. window winder, driver up	(KA3)			
365P	Relay, el. window winder, passenger up	(KA20)			

# Cable harness

## Illustrations index LHD

1000	Cable harness, instruments .....	page 65
1006	Cable harness, cab, upper .....	page 69
1017	Cable harness, engine/cab heater .....	page 70
1018	Cable harness, air conditioning .....	page 72
1020	Cable harness, cowl .....	page 73
1030	Cable harness, engine .....	page 78
1031	Cable harness, automatic transmission, AT545 .....	page 80
1035	Cable harness, differential lock .....	page 83
1040	Cable harness, frame .....	page 81
1057	Cable harness, chassis .....	page 84
1077	Cable harness, side marking lamp .....	page 91
1435	Cable harness, battery master switch .....	page 87
1476	Cable harness, engine, cab .....	page 92

## Unique illustrations for ABS LHD

Cable harness, cab .....	page 94
Cable harness, chassis .....	page 95

## Unique illustrations for ECS LHD

Cable harness, cab .....	page 96
Cable harness, chassis .....	page 97

## Unique illustrations for PH-ENGCA LHD

Cable harness, cab/chassis .....	page 98
----------------------------------	---------

## Unique illustrations for fuel filter heater LHD

Cable harness, cab/chassis .....	page 99
----------------------------------	---------

## Unique illustrations for gearbox MD3060P5/MD3560P5 LHD

Cable harness, cab .....	page 100
Cable harness, chassis .....	page 101

## Illustrations index RHD

1000	Cable harness, instruments .....	page 105
1006	Cable harness, cab, upper .....	page 109
1017	Cable harness, engine/cab heater .....	page 110
1018	Cable harness, air conditioning .....	page 112
1020	Cable harness, cowl .....	page 73
1030	Cable harness, engine .....	page 78
1031	Cable harness, automatic transmission, AT545 .....	page 113
1035	Cable harness, differential lock .....	page 83
1040	Cable harness, frame .....	page 81
1057	Cable harness, chassis .....	page 84
1077	Cable harness, side marking lamp .....	page 91
1435	Cable harness, battery master switch .....	page 87
1476	Cable harness, engine, cab .....	page 92

## Unique illustrations for ABS RHD

Cable harness, cab .....	page 114
Cable harness, chassis .....	page 95

## Unique illustrations for ECS RHD

Cable harness, cab .....	page 115
Cable harness, chassis .....	page 97

## Unique illustrations for PH-ENGCA RHD

Cable harness, cab/chassis .....	page 116
----------------------------------	----------

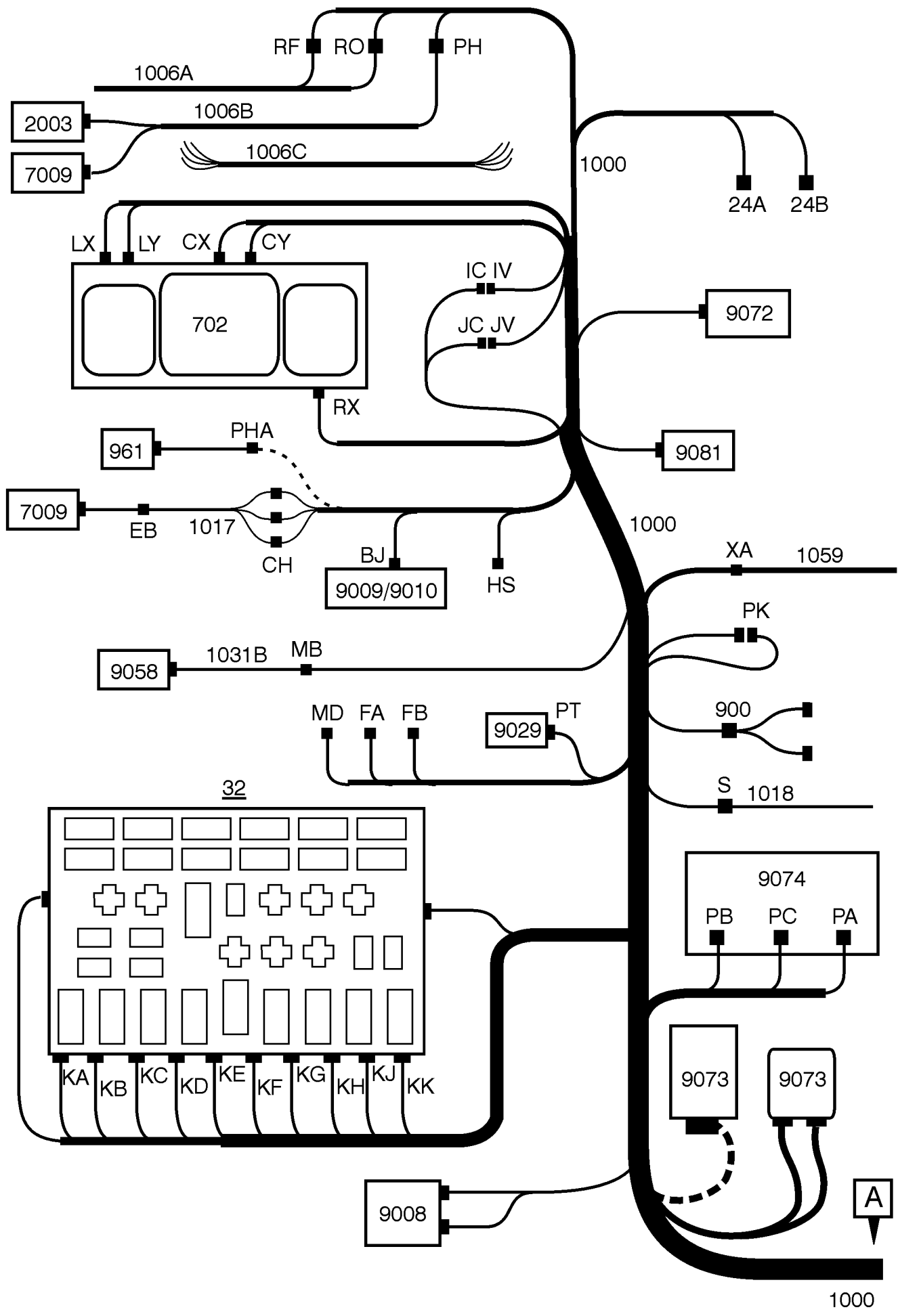
## Unique illustrations for fuel filter heater RHD

Cable harness, cab/chassis .....	page 99
----------------------------------	---------

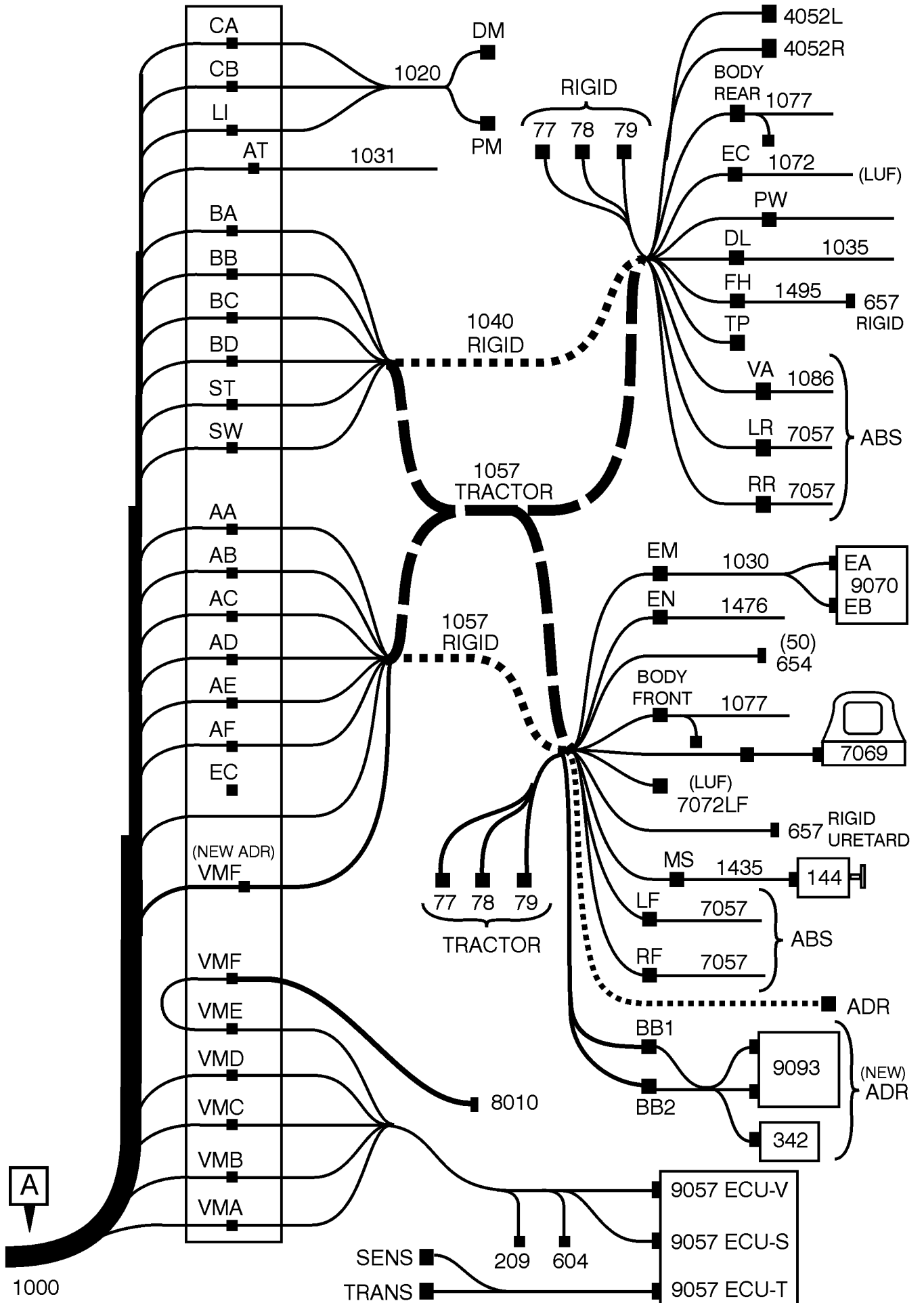
## Unique illustrations for gearbox MD3060P5/MD3560P5 RHD

Cable harness, cab .....	page 117
Cable harness, chassis .....	page 101









## List of connectors

AA1	(AC4)	AC12	(LK36)	AF2	(MF13)
AA2	(AC27)	AC12	(ZA41)	AF2	(MG7)
AA3	(AC33)	AC13	(AC3)	AF2	(MH13)
AA4	(AC39)	AC14	(AC7)	AF3	(MF16)
AA5	(AC49)	AC15	(AC7)	AF3	(MG9)
AA6	(BJ51)	AC16	(AC9)	AF3	(MH16)
AA6	(BZ13)	AD1	(HM22)	AF3	(MV13)
AA7	(BJ42)	AD2	(HM22)	AF4	(MF13)
AA7	(BZ10)	AD2	(ZA56)	AF4	(MG7)
AA8	(BJ33)	AD3	(HM14)	AF4	(MH13)
AA8	(BZ14)	AD4	(HM14)	AF4	(MV5)
AA9	(BJ23)	AD5	(NA26)	AF4	(ZB10)
AA9	(BZ8)	AD6	(NA26)	AF5	(NA30)
AA10	(BJ56)	AD7	(NA28)	AF6	(NA29)
AA10	(BZ15)	AD8	(NA29)	AF7	(AC21)
AA10	(ZA45)	AD9	(NA29)	AF8	(AC22)
AA11	(AA15)	AD10	(HB5)	AF9	(AC23)
AA12	(AA37)	AD10	(HB40)	AF10	(BJ62)
AA13	(NA17)	AD10	(HC15)	AF11	(BZ71)
AA14	(NA22)	AD11	(HB3)	AF14	(LD6)
AA15	(NA41)	AD11	(HB41)	AF14	(LE5)
AA16	(AC17)	AD11	(HC15)	AF15	(LD6)
AA16	(EA5)	AD12	(ZB32)	AF15	(LE5)
AA16	(NA41)	AD12	(ZD18)	AT1	(LK4)
AA16	(NZ54)	AD13	(ZD19)	AT2	(LK8)
AA16	(ZA31)	AD14	(HC2)	AT3	(LK10)
AB1	(NZ54)	AD14	(ZA8)	AT4	(LK4)
AB2	(AC17)	AD14	(ZB49)	AT4	(ZA19)
AB3	(EA5)	AD15	(NC27)	AT8	(KH17)
AB4	(AA13)	AD15	(NC37)	AT9	(KH9)
AB5	(NF13)	AD15	(ZA4)	AT10	(KH16)
AB5	(NZ8)	AD16	(NC30)	AT11	(KH8)
AB6	(NF15)	AD16	(NC40)	AT12	(KH13)
AB6	(NZ10)	AD16	(ZA4)	AT13	(KH4)
AB7	(NF16)	ADR1	(ZB32)	AT14	(KH13)
AB7	(NZ11)	ADR1	(ZD17)	AT15	(KH12)
AB8	(NF18)	ADR2	(ZD16)	AT16	(KH5)
AB8	(NZ13)	ADR3	(ZD19)	BA1	(CE19)
AB9	(XD5)	AE1	(OA34)	BA2	(CE19)
AB10	(BJ49)	AE2	(OA35)	BA2	(CE26)
AB12	(HA4)	AE3	(OA26)	BA2	(CG13)
AB13	(LD9)	AE4	(OA27)	BA2	(CK12)
AB13	(LE9)	AE5	(OA37)	BA2	(CN17)
AB14	(LD9)	AE6	(OA38)	BA2	(EA10)
AB14	(LE9)	AE7	(OA37)	BA2	(EA16)
AB14	(ZB64)	AE7	(ZA66)	BA2	(XD12)
AB15	(LE19)	AE8	(OA29)	BA2	(ZA30)
AB15	(LK18)	AE9	(OA30)	BA3	(CE26)
AB16	(LE19)	AE10	(OA29)	BA4	(EA10)
AB16	(LK18)	AE10	(ZA65)	BA5	(CG13)
AB16	(ZB67)	AE11	(MF8)	BA6	(CK9)
AC1	(LG7)	AE11	(MH8)	BA7	(CN17)
AC2	(LG7)	AE12	(MF8)	BA8	(CN18)
AC2	(ZB4)	AE12	(MH8)	BA9	(XD7)
AC3	(LG5)	AE13	(MF11)	BA10	(XD16)
AC4	(LG5)	AE13	(MH11)	BA11	(NC30)
AC4	(ZB2)	AE14	(MF12)	BA11	(NC40)
AC7	(LK24)	AE14	(MH12)	BA11	(ZA3)
AC8	(LK24)	AE15	(MF13)	BA12	(NC37)
AC8	(ZA52)	AE15	(MH13)	BA12	(ZA2)
AC9	(LK17)	AE16	(AA4)	BA13	(EA16)
AC9	(LK34)	AE16	(ZB4)	BA15	(LG18)
AC10	(LK17)	AF1	(MF11)	BA15	(ZB7)
AC10	(LK34)	AF1	(MG4)	BA16	(LG18)
AC10	(ZA39)	AF1	(MH11)	BB1	(CK17)
AC11	(LK36)	AF1	(MV5)	BB2	(CE22)

BB3	(CE24)	BJ2	(MG19)	CX2	(NZ24)
BB4	(CG17)	BJ2	(MH34)	CX3	(NZ18)
BB5	(CG19)	BJ2	(MH44)	CX4	(NZ13)
BB6	(CN6)	BJ3	(MF35)	CX5	(NZ16)
BB7	(XA19)	BJ3	(MH35)	CY1	(NZ47)
BB8	(XA24)	BJ4	(MF36)	CY2	(NZ48)
BB9	(XA32)	BJ4	(MH36)	CY3	(NZ45)
BB10	(EA13)	BJ5	(MF37)	CY4	(NZ53)
BB11	(CN8)	BJ5	(MF45)	CY5	(NZ41)
BB12	(OA68)	BJ5	(MG20)	CY6	(NZ45)
BB12	(XA28)	BJ5	(MH37)	CY7	(NZ39)
BB13	(CE40)	BJ5	(MH45)	CY8	(NZ38)
BB13	(ZA58)	BJ6	(MF38)	CY9	(NZ54)
BB14	(CE43)	BJ6	(MF46)	CY10	(NZ36)
BB14	(ZA60)	BJ6	(MG21)	CY11	(NZ30)
BB15	(LK38)	BJ6	(MH38)	CY12	(NZ35)
BB16	(LK38)	BJ6	(MH46)	CY13	(NZ33)
BB16	(ZA42)	BJ7	(MF39)	CY14	(NZ32)
BB1/2	(ZD28)	BJ7	(MF48)	CY15	(NZ50)
BB1/3	(ZD21)	BJ7	(MG22)	CY16	(NZ51)
BB1/4	(ZD22)	BJ7	(MH39)	CY17	(NZ51)
BB1/5	(ZD28)	BJ7	(MH48)	CY18	(NZ15)
BB2/2	(ZD24)	BJ8	(MF40)	CY19	(NZ42)
BB2/3	(ZD25)	BJ8	(MF49)	CY20	(NZ39)
BB2/4	(ZD2)	BJ8	(MG23)	CY21	(NZ10)
BC1	(MA21)	BJ8	(MH40)	CY22	(NZ32)
BC1	(MV16)	BJ8	(MH49)	CY24	(NZ41)
BC2	(MA16)	BJ8	(ZA57)	CY25	(NZ44)
BC2	(MV20)	BL10	(ZA64)	CY26	(NZ26)
BC3	(MA14)	CA1	(GA31)	CY27	(NZ20)
BC3	(MV22)	CA2	(GA27)	CY29	(NZ8)
BC4	(MA5)	CA3	(GA29)	CY30	(NZ29)
BC4	(MV22)	CA4	(GA26)	DL1	(LG18)
BC5	(OA45)	CA5	(GA7)	DL2	(LG18)
BC6	(OA46)	CA6	(GA7)	DL2	(ZB7)
BC7	(OA45)	CA6	(ZA9)	DM1	(HH4)
BC7	(ZA67)	CA7	(FA7)	DM2	(HH7)
BC8	(OA53)	CA8	(FA7)	DM3	(HH3)
BC9	(OA54)	CA9	(GA12)	EB1	(HB16)
BC10	(OA53)	CA10	(GA12)	EB2	(HB15)
BC11	(OA42)	CA10	(ZA8)	EB3	(HB13)
BC12	(OA43)	CA11	(HA4)	EB5	(HB14)
BC13	(OA50)	CA12	(HA4)	EB5	(ZB62)
BC14	(OA51)	CA13	(HG7)	EB6	(HB11)
BD2	(MF16)	CA14	(HG7)	EB7	(HB10)
BD2	(MG4)	CA14	(ZB77)	EB8	(HB8)
BD2	(MH16)	CA15	(HH5)	EC1	(HC34)
BD3	(MF17)	CA16	(HH2)	EC1	(HD6)
BD3	(MG5)	CA16	(ZA12)	EC1	(MF16)
BD3	(MH17)	CB1	(KA9)	EC1	(MG4)
BD4	(MF22)	CB2	(KA10)	EC1	(MH16)
BD4	(MG9)	CB3	(KA4)	EC2	(HC18)
BD4	(MH22)	CB4	(KA15)	EC2	(HD12)
BD5	(NZ35)	CB5	(KA26)	EC2	(MF17)
BD6	(NZ35)	CB6	(KA27)	EC2	(MG5)
BD8	(MF18)	CB7	(KA35)	EC2	(MH17)
BD8	(MG6)	CB8	(KA37)	EC3	(HC12)
BD8	(MH18)	CB9	(KA21)	EC3	(HD12)
BD9	(RA6)	CB10	(KA32)	EC3	(MF18)
BD11	(RA8)	CB11	(KA26)	EC3	(MG6)
BD12	(RA10)	CB11	(ZA46)	EC3	(MH18)
BJ1	(MF33)	CB12	(KH8)	EC4	(HC13)
BJ1	(MF43)	CB12	(ZA15)	EC4	(MF22)
BJ1	(MG18)	CB13	(KH12)	EC4	(MG9)
BJ1	(MH33)	CB14	(KH14)	EC4	(MH22)
BJ1	(MH43)	CB15	(KH11)	EC4	(ZA10)
BJ2	(MF34)	CB16	(KH17)	EM1	(BJ28)
BJ2	(MF44)	CX1	(NZ22)	EM1	(BZ3)

EM2	(BJ34)	IC1	(AC58)	JV4	(AA16)
EM2	(BZ4)	IC2	(AC37)	JV5	(EA1)
EM3	(BJ36)	IC3	(CE52)	JV6	(AC7)
EM3	(BZ6)	IC4	(GA13)	JV7	(NZ55)
EM4	(BJ30)	IC6	(AC9)	JV8	(NZ44)
EM4	(BZ4)	IC7	(AC5)	JV9	(FA3)
EM5	(BJ31)	IC8	(CK10)	JV10	(ED19)
EM5	(BZ8)	IC9	(EA2)	JV10	(ED4)
EM6	(BJ51)	IC10	(NZ58)	JV11	(AC47)
EM6	(BZ38)	IC11	(LK17)	JV12	(AC48)
EM7	(BJ42)	IC12	(CE35)	JV13	(AC42)
EM7	(BZ10)	IC13	(NZ17)	JV14	(AC43)
EM8	(BJ33)	IC14	(OA17)	JV15	(AC44)
EM9	(BJ23)	IC14	(OA72)	JV16	(EA11)
EM8	(BZ14)	IC15	(AC28)	JV17	(EA14)
EM9	(BZ27)	IC16	(AC32)	JV18	(AA13)
EM10	(BJ56)	IC17	(AC60)	JV19	(AA11)
EM10	(BZ15)	IC18	(AC38)	JV20	(AC34)
EM10	(ZA45)	IC3/IV3	(MG12)	JV21	(AC51)
EM11	(BJ49)	IC22/IV22	(MF27)	JV23	(AC54)
EM12	(BJ62)	IC22/IV22	(MG13)	JV24	(AC35)
EN1	(AA37)	IC22/IV22	(MH27)	KA1	(CE9)
EN1	(ZD23)	IV1	(AC57)	KA2	(CE12)
EN1	(ZD33)	IV2	(AC37)	KA3	(CE14)
EN2	(AA15)	IV3	(CE51)	KA4	(CE17)
EN3	(HA4)	IV4	(GA13)	KA5	(CE9)
EN4	(NA41)	IV6	(AC10)	KA6	(EV9)
EN5	(HM14)	IV7	(AC4)	KA7	(CE14)
EN6	(HM14)	IV8	(CK9)	KA8	(CE17)
EN6	(ZB49)	IV9	(EA1)	KA9	(CE19)
EN7	(NA41)	IV10	(NZ58)	KA10	(XA30)
EN7	(ZA34)	IV11	(LK17)	KA11	(AA26)
FA1	(AC54)	IV12	(CE35)	KA12	(CG13)
FA2	(AC56)	IV13	(NZ17)	KA13	(AC15)
FA3	(AC57)	IV14	(OA16)	KA14	(CE37)
FA4	(AC60)	IV14	(OA73)	KA15	(MG4)
FA5	(AC59)	IV15	(AC28)	KA16	(MG6)
FA6	(AC62)	IV16	(AC32)	KB1	(CE21)
FA7	(AC63)	IV17	(AC60)	KB2	(CE22)
FA8	(AC64)	IV18	(AC37)	KB3	(CG6)
FA9	(AC25)	JC1	(AC37)	KB4	(CG8)
FA11	(MF6)	JC2	(AC53)	KB5	(AA24)
FA11	(MH6)	JC3	(MF6)	KB6	(AA26)
FA13	(CN5)	JC3	(MH6)	KB7	(CE37)
FB1	(AA16)	JC4	(AA17)	KB8	(CE37)
FB2	(EA2)	JC5	(EA2)	KB9	(CG12)
FB4	(AC6)	JC6	(AC6)	KB10	(CG5)
FB5	(NZ55)	JC7	(NZ56)	KB12	(CE29)
FB6	(CK6)	JC8	(NZ43)	KB12	(ZB27)
FB7	(NZ44)	JC9	(FA4)	KB14	(EX14)
FB8	(FA8)	JC10	(ED18)	KB15	(CG15)
FB9	(ED19)	JC10	(ED3)	KB16	(EX17)
FB9	(ED4)	JC11	(AC48)	KC1	(CE24)
FB10	(AC47)	JC12	(AC47)	KC2	(CE25)
FB11	(AC47)	JC13	(AC41)	KC3	(CE38)
FB12	(AC42)	JC14	(AC42)	KC4	(AC15)
FB13	(AC43)	JC15	(AC43)	KC5	(CK17)
FB14	(AC44)	JC16	(EA10)	KC6	(CK4)
FB15	(EA11)	JC17	(EA13)	KC7	(CK19)
FB16	(AA14)	JC18	(AA14)	KC8	(CK6)
FB17	(AA12)	JC19	(AA12)	KC9	(CK9)
FB18	(EA13)	JC20	(AC34)	KC10	(CK8)
FH1	(LK38)	JC21	(AC52)	KC11	(CK12)
FH2	(LK38)	JC23	(AC55)	KC12	(CE27)
FH2	(ZA42)	JC24	(AC36)	KC13	(EX7)
HS1	(HE6)	JV1	(AC38)	KC14	(EX10)
HS2	(HE6)	JV3	(MF7)	KC15	(ER17)
HS2	(ZB73)	JV3	(MH7)	KC16	(ER19)

KD1	(CE34)	KG12	(BJ42)	LI12	(PA11)
KD2	(CE32)	KG12	(BZ10)	LI13	(PA13)
KD3	(CE34)	KG13	(EA8)	LI13	(ZB16)
KD4	(CE32)	KG14	(AC20)	LI14	(CG6)
KD5	(CE26)	KG15	(AA24)	LI14	(CH5)
KD6	(CN13)	KG16	(AA25)	LI15	(CG6)
KD7	(CN20)	KH1	(CE41)	LI15	(CH5)
KD8	(CN20)	KH2	(HE6)	LI15	(ZA38)
KD9	(CH5)	KH3	(HH5)	LI16	(CK4)
KD10	(CE64)	KH4	(HE8)	LX1	(NA8)
KD11	(NF8)	KH5	(HH7)	LX2	(NA17)
KD11	(NZ2)	KH6	(LD6)	LX3	(NA19)
KD12	(NF9)	KH6	(LE6)	LX4	(NA33)
KD12	(NZ3)	KH7	(NA59)	LX5	(NA36)
KD13	(CE35)	KH8	(LD8)	LX6	(NA35)
KD15	(AC7)	KH8	(LE8)	LX7	(NA32)
KD16	(AC12)	KH9	(NA62)	LX8	(NA37)
KE1	(PA7)	KH10	(LD8)	LX9	(NA10)
KE2	(CE58)	KH10	(LE8)	LX10	(NA30)
KE3	(MF41)	KH11	(LG6)	LX11	(NA9)
KE3	(MG26)	KH12	(AA37)	LX12	(NA4)
KE3	(MH41)	KH13	(HA2)	LX13	(NA23)
KE4	(CE52)	KH14	(HA3)	LX14	(NA15)
KE5	(MF39)	KH15	(CN5)	LX15	(NA49)
KE5	(MG25)	KH16	(CN9)	LX16	(NA34)
KE5	(MH39)	KJ1	(AA28)	LX17	(NA8)
KE6	(CE54)	KJ1	(ZA18)	LX18	(NA9)
KE7	(HG4)	KJ2	(GA21)	LX19	(NA3)
KE8	(CE45)	KJ3	(GA27)	LX20	(NA4)
KE9	(CE56)	KJ4	(EV3)	LX21	(NA31)
KE10	(CE43)	KJ5	(XA28)	LX22	(NA52)
KE11	(CE44)	KJ6	(EV6)	LY1	(NA45)
KE12	(CE64)	KJ7	(FA3)	LY3	(NA48)
KE13	(CE50)	KJ8	(GA23)	LY4	(NA51)
KE14	(AA20)	KJ9	(FA7)	LY5	(NA55)
KE15	(CE61)	KJ10	(GA18)	LY6	(NA54)
KE16	(CE51)	KJ11	(HM22)	LY7	(NA41)
KF1	(KA21)	KJ12	(ER12)	LY8	(NA19)
KF2	(KA4)	KJ13	(ER4)	LY9	(NA29)
KF3	(KA24)	KJ14	(ER7)	LY10	(NA52)
KF4	(CE56)	KJ15	(ER8)	LY12	(NA28)
KF5	(CE60)	KJ16	(ER14)	LY14	(NA24)
KF6	(EA9)	KK1	(CE42)	LY15	(NA20)
KF7	(CE62)	KK2	(CE41)	LY16	(NA22)
KF8	(EA12)	KK3	(CE38)	LY20	(NA43)
KF9	(CE64)	KK4	(CE37)	LY21	(NA25)
KF10	(AA29)	KK5	(CE42)	LY22	(NA6)
KF11	(AA31)	KK6	(CE41)	LY23	(NA46)
KF12	(AA32)	KK7	(CE38)	LY25	(NA26)
KF13	(AA34)	KK8	(CE37)	LY26	(NA26)
KF14	(KH6)	LI1	(CE32)	LY28	(NA30)
KF14	(KH16)	LI2	(CE32)	MB1	(LK27)
KF15	(KH8)	LI2	(CE58)	MB2	(LK28)
KF15	(KH17)	LI2	(CK4)	MB3	(LK29)
KF16	(BJ51)	LI2	(CN13)	MB3	(ZA50)
KG1	(BJ23)	LI2	(ZA50)	MD1	(BM13)
KG1	(BZ8)	LI3	(CE60)	MD2	(BM13)
KG2	(XA35)	LI4	(CE58)	MD3	(BM63)
KG3	(BJ24)	LI5	(CN13)	MD4	(BM64)
KG3	(BZ9)	LI6	(CE15)	MD5	(BM65)
KG4	(XA38)	LI7	(CE15)	MD6	(BM36)
KG5	(AA7)	LI7	(CE54)	MD7	(BM37)
KG6	(HA7)	LI7	(CN12)	MD8	(BM38)
KG7	(AA8)	LI7	(ZA42)	MD9	(BM56)
KG8	(HA4)	LI8	(CE56)	MD10	(BM17)
KG9	(AA23)	LI9	(CE54)	MD11	(BM66)
KG10	(AC18)	LI10	(CN12)	MD12	(BM68)
KG11	(EA5)	LI11	(PA10)	MD13	(BM53)

MD14	(BM59)	PB27	(AC15)	RF15	(ZD21)
MD15	(BM59)	PB28	(AC25)	RF16	(XA39)
MS	(AA4)	PC1	(AC48)	RO1	(CE9)
MS	(ZB4)	PC2	(AC40)	RO2	(CE37)
NF1	(NA12)	PC4	(AC29)	RO3	(ED6)
NF1	(NA52)	PC5	(AC32)	RO4	(CE16)
NF1	(NA55)	PH1	(HB61)	RO5	(CE14)
NF1	(NA56)	PH1	(HC30)	RO6	(EN4)
NF1	(NA62)	PH2	(HB59)	RO7	(ER4)
NF1	(ZB8)	PH2	(HC32)	RO8	(ER9)
NF1	(ZB16)	PH3	(HB48)	RO9	(ER11)
NF1	(ZB22)	PH3	(HC34)	RO10	(JA9)
NF2	(NA12)	PH4	(HB46)	RO10	(JA25)
NF2	(NA52)	PH4	(HC29)	RO10	(JA36)
NF2	(NA62)	PH5	(HB54)	RO11	(JA10)
NF2	(ZB11)	PH5	(HC37)	RO11	(JA25)
NF2	(ZB16)	PH6	(HB45)	RO11	(JA37)
NF2	(ZB22)	PH6	(HC37)	RO12	(JA12)
NF3	(NA11)	PHA1	(HB42)	RO12	(JA27)
NF3	(NA55)	PHA4	(HB54)	RO12	(JA39)
NF3	(NA62)	PHA5	(HB41)	RO13	(JA13)
NF3	(ZB9)	PHA6	(HB40)	RO13	(JA29)
NF3	(ZB16)	PHA7	(HB46)	RO13	(JA40)
PA1	(AC42)	PHA8	(HB45)	RO14	(NF23)
PA2	(AC43)	PHA15	(HB48)	RX1	(NC27)
PA3	(AC45)	PK1	(LD8)	RX2	(NC13)
PA4	(AC60)	PK1	(LE8)	RX4	(NC3)
PA5	(AC34)	PK2	(LD8)	RX5	(NC14)
PA6	(AC5)	PK2	(LE8)	RX7	(NC15)
PA7	(AC55)	PM1	(HH11)	RX10	(NC46)
PA8	(AC37)	PM2	(HH13)	RX11	(NC36)
PA9	(AC59)	PM3	(HH10)	RX13	(NC35)
PA10	(AC62)	PT3	(AC42)	RX15	(NC27)
PA11	(AC61)	PT4	(AC50)	RX18	(NC11)
PA12	(AC19)	PW1	(HB26)	RX20	(NC49)
PA13	(AC20)	PW1	(NC30)	RX21	(NC16)
PA14	(AC15)	PW1	(NC40)	RX22	(NC37)
PA15	(AC56)	PW1	(ZA2)	RX25	(NC51)
PA17	(AC59)	PW'1	(NC30)	RX26	(NC48)
PA18	(AC31)	PW''1	(NC26)	RX27	(NC47)
PA20	(AC52)	PW2	(HB31)	RX28	(NC34)
PA21	(AC50)	PW2	(ZB60)	S1	(HA16)
PA23	(AC25)	PW3	(NC21)	S2	(HA12)
PA24	(AC64)	PW3	(NC37)	S2	(ZA12)
PA26	(AC54)	PW3	(ZA2)	S3	(HA3)
PA27	(AC62)	PW'3	(NC28)	S4	(HA4)
PA28	(AC9)	PW''3	(NC24)	S6	(HA6)
PA29	(AC7)	RF1	(NF13)	S7	(HA8)
PA30	(AC44)	RF2	(NF15)	ST1	(OA22)
PB2	(AC9)	RF3	(NF16)	ST2	(OA18)
PB5	(AC47)	RF4	(NF18)	ST2	(ZA4)
PB6	(AC12)	RF5	(NF23)	SW1	(OA14)
PB8	(AC23)	RF6	(NF8)	SW1	(OA71)
PB9	(AC22)	RF6	(ZB35)	SW2	(OA10)
PB10	(AC22)	RF7	(NF16)	SW2	(ZA2)
PB11	(AC17)	RF8	(NF19)	SW3	(OA3)
PB14	(AC57)	RF9	(NF12)	SW3	(OA79)
PB15	(AC18)	RF10	(NF8)	TP1	(RA6)
PB16	(AC57)	RF10	(ZD24)	TP2	(RA8)
PB17	(AC4)	RF11	(NZ32)	TP3	(RA10)
PB18	(AC7)	RF12	(XA37)	VA1	(OA45)
PB19	(AC32)	RF12	(ZB28)	VA2	(OA46)
PB20	(AC13)	RF13	(XA39)	VA3	(OA45)
PB21	(AC12)	RF14	(XA34)	VA3	(ZA67)
PB22	(AC24)	RF15	(NA10)	VA4	(OA53)
PB23	(AC23)	RF15	(NF6)	VA5	(OA54)
PB24	(AC65)	RF15	(ZB8)	VA6	(OA53)
PB26	(AC21)	RF15	(ZB32)	VA6	(ZA64)

VMA1	(BM20)	VMB6	(BM37)	VME14	(ZA55)
VMA2	(BM58)	VMB8	(BM30)	VMF1	(ZD21)
VMA3	(BM8)	VMB9	(BM61)	VMF2	(ZD22)
VMA4	(BM51)	VMB10	(BM33)	VMF3	(ZD25)
VMA5	(BM23)	VMB11	(BM32)	VMF4	(ZD26)
VMA6	(BM60)	VMB12	(BM13)	VMF7	(ZD27)
VMA7	(BM69)	VMB14	(BM37)	VMF8	(ZD38)
VMA8	(BM67)	VMB15	(BM55)	VMF9	(ZD33)
VMA9	(BM7)	VMB15	(BM75)	VMF10	(ZD2)
VMA10	(BM6)	VMB16	(BM55)	VMF14	(ZA55)
VMA11	(BM70)	VMB16	(BM77)	XA1	(XA32)
VMA12	(BM4)	VMC1	(BM17)	XA2	(XA34)
VMA12	(ZA69)	VMC2	(BM21)	XA3	(XA36)
VMA13	(BM5)	VMC3	(BM11)	XA3	(ZB29)
VMA13	(ZA71)	VMC4	(BM34)	XB1	(HE12)
VMA14	(BM26)	VMC5	(BM24)	XB1	(XA39)
VMA15	(BM52)	VMC6	(BM35)	XB2	(HE12)
VMA15	(BM77)	VMC7	(BM19)	XB2	(XA34)
VMA16	(BM52)	VMC8	(BM11)	XB2	(ZB73)
VMA16	(BM77)	VMC9	(BM13)	XB3	(XA39)
VMA16	(ZA73)	VMC10	(BM36)	XB4	(XA37)
VMB1	(BM28)	VMC11	(BM40)	XB4	(ZB28)
VMB2	(BM55)	VMC13	(BM51)	50	(AA14)
VMB3	(BM62)	VMC14	(BM46)		
VMB4	(BM42)	VMD9	(BM73)		
VMB5	(BM49)	VMD10	(BM73)		

# List of components

24A	Connector, socket/diagnostics (AC41)	126	Switch, diff. lock wheels, rear (LG14)
24A	Connector, socket/diagnostics (ZB26)	127	Switch, diff. lock inter axles (LG6)
24B	Connector, socket/diagnostics (BM51)	132	Switch, roof sign light (EJ4)
30	Battery (AA4)	133	Switch, bogie lift (MA5)
30 A	Battery (ZD4)	144	Switch, battery master switch (AA2)
30 B	Battery (ZD4)	144	Switch, battery master switch (ZA50)
32	Circuit card, electrical centre (ZD21)	144	Switch, battery master switch (ZB2)
34	Connector (AA4)	144	Switch, battery master switch (ZB29)
34	Connector (ZD21)	144	Switch, battery master switch (ZA32)
51	Fuse 1A (ZD1)	144 ADR	Switch, battery master switch (ZD10)
56 A	Fuse holder 6-unit (XA7)	147	Switch, direction indicators (CN9)
56 X	Fuse holder, 6-unit (XA21)	149	Switch, horn (FA6)
56 ABS	Fuse holder, 6-unit (OA14)	149	Switch, horn (ZB37)
77	Trailer connection, 7-unit (CE22)	149	Switch, horn (ZB39)
77	Trailer connection, 7-unit (CE24)	150	Switch, starting switch (AA12)
77	Trailer connection, 7-unit (CE44)	157	Switch, air horn (FA9)
77	Trailer connection, 7-unit (CG19)	157	Switch, air horn (ZB41)
77	Trailer connection, 7-unit (CK17)	158	Switch, tail fog lights (CG21)
77	Trailer connection, 7-unit (CN6)	172	Switch, extra (XD15)
77	Trailer connection, 7-unit (CN8)	1105	Switch, levelling control, headlights (PA10)
77	Trailer connection, 7-unit (ZA60)	1105	Switch, levelling control, headlights (ZB16)
78	Trailer connection, 7-unit (CE42)	1107	Switch, door lock (KH12)
78	Trailer connection, 7-unit (CG17)	1107A	Switch, door lock (KH7)
78	Trailer connection, 7-unit (EA13)	1107A	Switch, door lock (ZA14)
78	Trailer connection, 7-unit (OA68)	1107B	Switch, door lock (KH7)
78	Trailer connection, 7-unit (XA19)	1107B	Switch, door lock (ZA14)
78	Trailer connection, 7-unit (XA24)	1107C	Switch, door lock (KH13)
78	Trailer connection, 7-unit (XA28)	1107C	Switch, door lock (ZA16)
78	Trailer connection, 7-unit (XA32)	1118	Switch, power-take-off, clutch independent (ZB69)
78	Trailer connection, 7-unit (ZA58)	1122A	Switch, retarder (AC67)
79	Trailer connection, ABS/EBS (OA3)	1122A	Switch, retarder (ZA21)
79	Trailer connection, ABS/EBS (OA10)	1122B	Switch, retarder (BM66)
79	Trailer connection, ABS/EBS (OA14)	1122B	Switch, retarder (ZA72)
79	Trailer connection, ABS/EBS (OA18)	1123	Switch, evacuation (MV5)
79	Trailer connection, ABS/EBS (OA22)	1123	Switch, evacuation (MV22)
79	Trailer connection, ABS/EBS (OA71)	1123	Switch, evacuation (ZA79)
79 3	Trailer connection, ABS/EBS (ZA2)	1123	Switch, evacuation (ZB12)
79 4	Trailer connection, ABS/EBS (ZA4)	1132 D	Switch, el. operated rearview mirror (HH3)
100	Switch, headlights (CE36)	1132 D	Switch, el. operated rearview mirror (ZA12)
100	Switch, headlights (ZB27)	1132 P	Switch, el. operated rearview mirror (HH10)
101	Switch, full beams and dipped beams (CE61)	1132 P	Switch, el. operated rearview mirror (ZA12)
101	Switch, full beams and dipped beams (ZB25)	1134	Switch, reverse warner (EA17)
102	Switch, fog lights (CG21)	1134	Switch, reverse warner (ZA13)
102	Switch, fog lights (ZA17)	1135	Switch, cruise control (AC45)
103	Switch, spot lights (CH10)	1143	Switch, seat heater (HE20)
104	Switch, loading lights (ED9)	1143	Switch, seat heater (ZB75)
104	Switch, loading lights (ZA66)	1144	Switch, circulation pump (HD6)
105	Switch, 5th wheel light (ED24)	1149	Switch, PTO (BM76)
105	Switch, 5th wheel light (ZA76)	1149	Switch, PTO (ZA60)
109	Switch, hazard warning lights (CN20)	1149	Switch, PTO (ZB58)
109	Switch, hazard warning lights (ZA15)	1149 1	Switch, PTO (LD8)
110	Switch, rotating warning light (EN8)	1149 1	Switch, PTO (LE8)
111 DD	Switch, window winder (KA8)	1149 1	Switch, PTO (ZB70)
111 DD	Switch, window winder (ZA46)	1149 2	Switch, PTO (LE18)
111 DP	Switch, window winder (KA25)	1149 2	Switch, PTO (ZB70)
111 DP	Switch, window winder (ZA47)	1149 SKATT	Switch, PTO (LK18)
111 P	Switch, window winder (KA35)	1150	Switch, fuel filter heater (HM7)
111 P	Switch, window winder (ZA48)	1150	Switch, fuel filter heater (ZB45)
112	Switch, air conditioning (HA3)	1152	Switch, multi-function display (NA33)
112	Switch, air conditioning (ZA12)	1164	Switch, ADR/cab (ZD24)
118	Switch, fan (HA13)	1165	Switch, ADR/chassis (ZD23)
119	Switch, windscreen wiper (GA23)	200	Break contact, warning light, parking brake (NZ54)
123	Switch, heated rearview mirror (HG12)	200	Break contact, warning light, parking brake (ZA30)
123	Switch, heated rearview mirror (ZB79)	205 D	Break contact, interior light (ER4)
125	Switch, exhaust brake (AC50)	205 D	Break contact, interior light (ZB41)
125	Switch, exhaust brake (ZA20)	205 P	Break contact, interior light (ER8)



205 P	Break contact, interior light (ZA36)	2065RF	Contact, wear indicator-brake linings (NC40)
207	Closing contact, indicator light, diff. lock, rear wheels (LG18)	2065RF	Contact, wear indicator-brake linings (ZA2)
207	Closing contact, indicator light, diff. lock, rear wheels (ZB8)	2065RF	Contact, wear indicator-brake linings (ZA4)
207B	Closing contact, indicator light, diff. lock, rear wheels (LG14)	2065RR	Contact, wear indicator-brake linings (NC24)
207B	Closing contact, indicator light, diff. lock, rear wheels (ZB6)	2065RR	Contact, wear indicator-brake linings (NC29)
209	Closing contact, indicator light, power take-off, side (BM55)	2065RR	Contact, wear indicator-brake linings (NC382)
209	Closing contact, indicator light, power take-off, side (BM77)	2065RR2	Contact, wear indicator-brake linings (ZA2)
211	Closing contact, indicator light, bogie lift (MA14)	301	Relay, fog lights (CG5)
216	Closing contact, brake lights (CK4)	302	Relay, spot lights (CH5)
216 A	Closing contact, brake lights (ZA47)	303	Relay, loading lights (ED6)
217	Closing contact, reversing lights (EA5)	303	Relay, loading lights (ZA64)
217	Closing contact, reversing lights (ZA31)	304	Relay, 5th wheel light (ED21)
218	Break contact, exh-pressure governor (AC17)	304	Relay, 5th wheel light (ZA75)
218	Break contact, exh-pressure governor (ZA32)	305	Relay, reversing lights (EA8)
223	Slip contact, horn (FA7)	306	Relay, full beams (CE55)
223	Slip contact, horn (ZB39)	307	Relay, dipped beams (CE48)
223	Slip contact, horn (ZB41)	308	Relay, brake lights (CK8)
228	Closing contact, cab lock (NA41)	308A	Relay, brake lights (BM62)
228	Closing contact, cab lock (ZA34)	308A	Relay, brake lights (ZA71)
228LH	Closing contact, cab lock (NA38)	308B	Relay, brake lights (CK15)
228LH	Closing contact, cab lock (ZA34)	309 L	Relay, parking lights (CE19)
238	Closing contact, thermal (HD6)	309 R	Relay, parking lights (CE26)
238	Closing contact, thermal (HD10)	310	Relay, extra direction indicator, left (CN1)
239A	Break contact, thermal (HA4)	310	Relay, extra direction indicator, left (ZB38)
239B	Break contact, thermal (LK34)	311	Relay, extra direction indicator, right (CN23)
239B	Break contact, thermal (ZA39)	311	Relay, extra direction indicator, right (ZA39)
245	Break contact, brake light, trailer (CK8)	312	Relay, starting heater (BJ53)
245	Break contact, brake light, trailer (ZB40)	313	Relay, bogie lift motor (MA21)
247	Closing contact, climate system (air conditioning) (HA4)	314A	Relay, bogie lift (MA14)
250	Closing contact, gear change inhibitor (AC2)	314D	Relay, bogie lift (MV20)
252	Closing contact, start inhibitor (LK4)	315 R	Relay, starting switch (AA28)
252	Closing contact, start inhibitor (ZA18)	317	Relay, headlamp wiper (GA17)
253A	Closing contact, reversing lights autom. transm. (LK8)	317	Relay, headlamp wiper (ZA54)
253A	Closing contact, reversing lights autom. transm. (ZA19)	321	Relay, interval wipe (GA24)
253B	Closing contact, reversing lights autom. transm. (LK17)	323	Relay, flasher unit (CN5)
2003	Thermostat, parking heater (HB44)	323	Relay, flasher unit (ZA24)
2003	Thermostat, parking heater (HC34)	326	Relay, extra fuse holder (XA3)
2003	Thermostat, parking heater (ZB77)	326	Relay, extra fuse holder (ZA23)
2007	Break contact, clutch pedal (AC37)	327	Relay, heated rearview mirror (HG4)
2008	Break contact, brake pedal (AC34)	342	Relay, battery master switch (ZD13)
2011	Break contact, neutral (LD5)	343	Relay, fog lights, rear (CG12)
2011	Break contact, neutral (LE4)	343 B	Relay, fog lights, rear (CG30)
2018	Contact, oil pressure, power steering (NZ34)	343 B	Relay, fog lights, rear (ZA16)
2019	Contact, lock, seat belt (NZ47)	345	Relay, start inhibitor (LK4)
2019	Contact, lock, seat belt (ZB19)	345	Relay, start inhibitor (ZA68)
2062	Closing contact, air evacuation (MV13)	347	Relay, gear change inhibitor (AC2)
2062	Closing contact, air evacuation (MV20)	348	Relay, fan (HD11)
2065LF	Contact, wear indicator-brake linings (NC29)	348 A	Relay, fan (HA7)
2065LF	Contact, wear indicator-brake linings (NC38)	348 B	Relay, fan (HC36)
2065LF	Contact, wear indicator-brake linings (NC39)	348 B	Relay, fan (HD14)
2065LF	Contact, wear indicator-brake linings (ZA2)	356	Relay, dipped beams (CE40)
2065LF	Contact, wear indicator-brake linings (ZA4)	357	Relay, rotating warning light (EN4)
2065LR	Contact, wear indicator-brake linings (NC30)	360	Relay, engage inhibitor, power take-off (LD4)
2065LR	Contact, wear indicator-brake linings (NC40)	360	Relay, engage inhibitor, power take-off (LE4)
2065LR	Contact, wear indicator-brake linings (ZA2)	360A	Relay, engage inhibitor, power take-off (LK15)
2065LR2	Contact, wear indicator-brake linings (NC26)	360A	Relay, engage inhibitor, power take-off (ZB56)
2065RF	Contact, wear indicator-brake linings (NC28)	360B	Relay, engage inhibitor, power take-off (BM66)
2065RF	Contact, wear indicator-brake linings (NC37)	360B	Relay, engage inhibitor, power take-off (ZA69)
		365 D	Relay, electrical window winder, up (KA3)
		365 D	Relay, electrical window winder, up (ZA44)
		365 P	Relay, electrical window winder, up (KA20)
		365 P	Relay, electrical window winder, up (ZA44)
		366 D	Relay, electrical window winder, down (KA14)
		366 D	Relay, electrical window winder, down (ZB44)
		366 P	Relay, electrical window winder, down (KA31)
		366 P	Relay, electrical window winder, down (ZA44)
		376	Relay, power take-off (BM50)
		376	Relay, power take-off (BM75)

376	Relay, power take-off (ZA62)	413	Bulb, tail light, right (ZA34)
379	Relay, injection pump (AC18)	414	Bulb, side marker light, left, front (CE13)
381A	Relay, extra (LK34)	414	Bulb, side marker light, left, front (ZB37)
381B	Relay, extra (XD15)	415	Bulb, side marker light, right, front (CE31)
381B	Relay, extra (ZA27)	415	Bulb, side marker light, right, front (ZA53)
399	Relay, control, gearbox (BM62)	416	Bulb, side marker light, left, centre (CE42)
3005	Alternator-controlled relay (AA41)	416	Bulb, side marker light, left, centre (CE44)
3018	Relay, control unit parking heater (HB8)	416	Bulb, side marker light, left, centre (CE46)
3018	Relay, control unit parking heater (ZB62)	417	Bulb, side marker light, right, centre (CE46)
3019	Relay box, air suspension (MF39)	417	Bulb, side marker light, right, centre (CE48)
3019	Relay box, air suspension (MG26)	417	Bulb, side marker light, right, centre (CE50)
3019	Relay box, air suspension (MH39)	420	Bulb, position light, roof, left (CE37)
3019 A	Relay box, air suspension (MG13)	420	Bulb, position light, roof, left (ZB64)
3019 A	Relay box, air suspension (MF26)	421	Bulb, position light, roof, right (CE10)
3019 A	Relay box, air suspension (MH26)	421	Bulb, position light, roof, right (ZB60)
3019 B	Relay box, air suspension (MF37)	422	Bulb, dir. indicator, left, front (CN12)
3019 B	Relay box, air suspension (MG24)	422	Bulb, dir. indicator, left, front (ZA40)
3019 B	Relay box, air suspension (MH37)	423	Bulb, dir. indicator, right, front (CN13)
3023	Relay, information ABS (OA69)	423	Bulb, dir. indicator, right, front (ZA51)
3023	Relay, information ABS (ZA6)	426	Bulb, dir. indicator, left, rear (CN17)
3025 A	Relay, indicator lamp ABS (OA18)	426	Bulb, dir. indicator, left, rear (ZA36)
3025 B	Relay, indicator lamp ABS (OA63)	427	Bulb, dir. indicator, right, rear (CN18)
3038	Relay, pole change (BM47)	427	Bulb, dir. indicator, right, rear (ZA37)
3040	Relay, heated drivers seat (HE6)	428	Bulb, rotating warning lamp (EN4)
3067	Relay, wear indicator - brake linings (NC25)	428	Bulb, rotating warning lamp (ZB68)
3067	Relay, wear indicator - brake linings (NC35)	429	Bulb, cigarette lighter lighting (EV9)
3067	Relay, wear indicator - brake linings (ZA4)	434	Bulb, interior light (ER14)
3067	Relay, wear indicator - brake linings (ZA6)	434	Bulb, interior light (ER17)
3071	Relay, central lock, open door (KH10)	434	Bulb, interior light (ZB72)
3071	Relay, central lock, open door (ZA15)	434	Bulb, interior light (ZB73)
3072	Relay, central lock, lock door (KH16)	434 C	Bulb, interior light (ER12)
3072	Relay, central lock, lock door (ZA15)	434 C	Bulb, interior light (ZB72)
3075	Relay, central lock (KH8)	434 D	Bulb, interior light (ER4)
3079	Relay, black-out/earth (BM35)	434 D	Bulb, interior light (ZB70)
3091	Relay, fuel pump (BJ61)	434 P	Bulb, interior light (ER8)
3091	Relay, fuel pump (ZA52)	434 P	Bulb, interior light (ZB72)
3103	Relay, fuel filter heater (HM12)	436	Bulb, controls light (LK9)
3103	Relay, fuel filter heater (ZB47)	436	Bulb, controls light (ZA20)
3109	Relay, range restriction (BM56)	437 C	Bulb, identification light, front (CE11)
3126	Relay, D+ short circuit (ZD35)	437 C	Bulb, identification light, front (CE58)
401 L	Bulb, fog lights (CG5)	437 L	Bulb, identification light, front (CE11)
401 L	Bulb, fog lights (ZA37)	437 L	Bulb, identification light, front (ZB62)
401 R	Bulb, fog lights (CG7)	437 R	Bulb, identification light, front (CE11)
401 R	Bulb, fog lights (ZA38)	437 R	Bulb, identification light, front (ZB56)
402 L	Bulb, spot lights (CH4)	440	Bulb, heater control light (HA16)
402 R	Bulb, spot lights (CH5)	440	Bulb, heater control light (ZA12)
403	Bulb, loading light (ED6)	451	Bulb, rear fog light, left (CG12)
403	Bulb, loading light (ZB66)	451	Bulb, rear fog light, left (ZA28)
404	Bulb, fifth wheel light (ED21)	452	Bulb, rear fog light, right (CG14)
404	Bulb, fifth wheel light (ZA74)	452	Bulb, rear fog light, right (ZA29)
405 L	Bulb, reversing lights (EA10)	462	Bulb, side dir. light, left (CN9)
405 L	Bulb, reversing lights (ZA26)	462	Bulb, side dir. light, left (ZB37)
405 R	Bulb, reversing lights (EA9)	463	Bulb, side dir. light, right (CN15)
405 R	Bulb, reversing lights (ZA27)	463	Bulb, side dir. light, right (ZA53)
406 L	Bulb, full beams (CE56)	469	Bulb, end outline marker light, left (CE20)
406 L	Bulb, full beams (ZA44)	469	Bulb, end outline marker light, left (ZA33)
406 R	Bulb, full beams (CE60)	470	Bulb, end outline marker light, right (CE27)
406 R	Bulb, full beams (ZA52)	470	Bulb, end outline marker light, right (ZA35)
408/409	Bulb, parking light, left front (CE15)	4066L	Bulb, dipped beams (CE54)
408/409	Bulb, parking light, left front (CE32)	4066L	Bulb, dipped beams (ZA42)
408/409	Bulb, parking light, left front (ZA48)	4066R	Bulb, dipped beams (CE58)
410	Bulb, brake light, left (CK9)	4066R	Bulb, dipped beams (ZA50)
410	Bulb, brake light, left (ZA32)	500	Indicator light, dir. indicator, tractor (NZ39)
411	Bulb, brake light, right (CK12)	501	Indicator light, dir. indicator, trailer 1 (NZ41)
411	Bulb, brake light, right (ZA30)	504	Indicator light, full beams (NZ45)
412	Bulb, tail light, left (CE18)	508	Warning light, parking brake (NZ54)
412	Bulb, tail light, left (ZA31)	510	Indicator light, diff. lock, rear wheels (NZ36)
413	Bulb, tail light, right (CE26)	511	Indicator light, diff. lock, inter-axles (NZ38)

547	Central warning for indicator and warning lights (NZ44)	6035 LF	Solenoid valve, level control, electronic (MF8)
5009	Indicator lamp, vehicle, ABS (NZ51)	6035 LF	Solenoid valve, level control, electronic (MH8)
5010	Indicator lamp, trailer, ABS (NZ53)	6052	Fan motor, parking heater (HB50)
5014	Indicator lamp, split (NZ48)	6054	Fuel pump, parking heater (HB5)
5032	Warning lamp, seat belt (NZ47)	6054	Fuel pump, parking heater (HB37)
5035	Warning lamp, steering servo circuit 2 (PSS-DUAL) (NZ35)	6054	Fuel pump, parking heater (HC15)
601	Solenoid valve, diff. lock, rear wheels (LG7)	6054	Fuel pump, parking heater (ZA8)
601	Solenoid valve, diff. lock, rear wheels (ZB4)	6055	Coolant pump, parking heater (HD6)
602	Solenoid valve, diff. lock inter axles (LG5)	6056	Motor, levelling control, headlights (PA10)
602	Solenoid valve, diff. lock inter axles (ZB2)	6056	Motor, levelling control, headlights (PA4)
604	Solenoid valve, power take-off, side (BM52)	6056	Motor, levelling control, headlights (ZB15)
604	Solenoid valve, power take-off, side (BM77)	6056	Motor, levelling control, headlights (ZB17)
604	Solenoid valve, power take-off, side (ZA73)	6058	Motor, door lock (KH17)
614A	Solenoid valve, range inhibitor (AC7)	6058	Motor, door lock (ZB68)
614B	Solenoid valve, range inhibitor (AC10)	6058D	Motor, door lock (KH4)
625	Solenoid valve, air horn (FA3)	6058P	Motor, door lock (KH13)
626	Solenoid valve, exh. pressure governor (BJ42)	6071	Injection pump (BJ45)
627	Solenoid valve, kick-down (LK24)	6071	Injection pump (ZA44)
642	Solenoid valve, SPLIT (LK24)	6079	Electric fuel pump (BJ62)
642	Solenoid valve, SPLIT (ZA52)	6102	Solenoid valve, charge pressure (waste gate) (BZ10)
650	Windscreen wiper motor (GA26)	6109	Solenoid valve, idling (BZ25)
650	Windscreen wiper motor (ZB43)	701	Tachograph (NF3)
651	Windscreen washer motor (GA7)	701	Tachograph (ZB9)
651	Windscreen washer motor (ZA9)	701	Tachograph (ZB32)
653	Headlamp washer motor (GA12)	701	Tachograph (ZB36)
653	Headlamp washer motor (ZA8)	701	Tachograph (ZB79)
654	Starter motor (AA8)	702	Combined instrument (NA4)
654	Starter motor (ZB29)	702	Combined instrument (NZ15)
654	Starter motor (ZB49)	702	Combined instrument (ZB7)
654	Starter motor (ZD16)	702	Combined instrument (ZB20)
654	Starter motor (ZD19)	702	Combined instrument (ZB22)
656	Bogie lift motor (MA21)	702	Combined instrument (ZB34)
657	Fan (heater) (HA9)	702	Combined instrument (ZB43)
657	Fan (heater) (ZA12)	702	Combined instrument (ZB44)
659A	Fan motor (heater) extra (LK38)	753	Engine, speed sensor (BZ29)
659A	Fan motor (heater) extra (ZA42)	753 A	Engine, speed sensor (BJ6)
659B	Fan motor (heater) extra (LK36)	753 A	Engine, speed sensor (BZ75)
659B	Fan motor (heater) extra (ZA41)	756	Temperature sensor, coolant (BJ24)
660	Alternator with charging regulator (AA18)	756	Temperature sensor, coolant (BZ43)
660	Alternator with charging regulator (ZB52)	757	Fuel gauge sensor (NA17)
660	Alternator with charging regulator (ZD21)	759	Level indicator, coolant (BJ17)
660	Alternator with charging regulator (ZD30)	759	Level indicator, coolant (BZ50)
661 D	Window winder motor (KA8)	7008	Air-operated horn (HB10)
661 P	Window winder motor (KA25)	7009	Alarm clock/timer (HB53)
6013 LF	Solenoid control valve, ABS (OA29)	7009	Alarm clock/timer (HC29)
6013 LF	Solenoid control valve, ABS (OA37)	7009	Alarm clock/timer (ZB62)
6013 LF	Solenoid control valve, ABS (ZA65)	7009	Alarm clock/timer (ZB75)
6013 LF	Solenoid control valve, ABS (ZA67)	7052	Sensor, speedometer (BM29)
6013 LR	Solenoid control valve, ABS (OA45)	7052	Sensor, speedometer (NF14)
6013 LR	Solenoid control valve, ABS (ZA67)	7052	Sensor, speedometer (NZ10)
6013 RF	Solenoid control valve, ABS (OA37)	7057 LF	Sensor, wheel speed (OA26)
6013 RF	Solenoid control valve, ABS (ZA66)	7057 LR	Sensor, wheel speed (OA42)
6013 RR	Solenoid control valve, ABS (OA53)	7057 RF	Sensor, wheel speed (OA34)
6013 RR	Solenoid control valve, ABS (ZA64)	7057 RR	Sensor, wheel speed (OA50)
6022L	Solenoid valve, air evacuation (MV5)	7059	Sensor, outer temperature (NA26)
6022L	Solenoid valve, air evacuation (MV28)	7065	Sensor, accelerator pedal (AC22)
6022L	Solenoid valve, air evacuation (ZB9)	7065 A	Sensor, accelerator pedal (AC30)
6022R	Solenoid valve, air evacuation (MV8)	7069	Sensor, battery charging (NA28)
6022R	Solenoid valve, air evacuation (MV24)	7072	Sensor, level control (MG8)
6022R	Solenoid valve, air evacuation (ZB11)	7072	Sensor, level control (MH21)
6024	Solenoid valve, pto (LK18)	7072 LF	Sensor, level control (MF11)
6024	Solenoid valve, pto (ZB66)	7072 LF	Sensor, level control (MH11)
6024 A	Solenoid valve, pto (ZB63)	7072 LR	Sensor, level control (MF16)
6035 C	Solenoid valve, level control, electronic (MF13)	7072 RR	Sensor, level control (MF21)
6035 C	Solenoid valve, level control, electronic (MG7)	7081	Sensor, boost pressure and boost temperature (BJ18)
6035 C	Solenoid valve, level control, electronic (MH13)	7082	Sensor, oil pressure and oil temperature (BJ29)

7082	Sensor, oil pressure and oil temperature (BJ52)	903	Diode (LE10)
7083	Sensor, fuel pressure and fuel pump (BJ36)	903	Diode (LE20)
7083	Sensor, fuel pressure and fuel pump (BJ47)	903	Diode (LK20)
7084	Sensor, air filter pressure and air filter temperature (BJ9)	917	Aerial (AA35)
7084	Sensor, air filter pressure and air filter temperature (BZ55)	952	Magnetic clutch, air conditioning (HA4)
7092	Sensor, temperature/ pressure (BZ56)	952	Magnetic clutch, air conditioning (ZB46)
7093	Sensor, charge air pressure (BZ59)	961	Engine/cab heater (HB10)
800	Starting heater (BJ57)	961	Engine/cab heater (HB38)
800	Starting heater (ZB35)	961	Engine/cab heater (HC7)
802 D	Heated rearview mirror (HG4)	961	Engine/cab heater (ZB60)
802 P	Heated rearview mirror (HG7)	9006	Glow plug, parking heater (HB28)
802 P	Heated rearview mirror (ZB76)	9006	Glow plug, parking heater (HB60)
802 P	Heated rearview mirror (ZB78)	9006	Glow plug, parking heater (ZB60)
803A	Heated seat (HE6)	9008	Control unit, ABS (OA26)
803A	Heated seat (ZB72)	9008	Control unit, ABS (ZA62)
803B	Heated seat (HE12)	9009	Control box, air suspension, rigids (MF33)
803B	Heated seat (ZB73)	9009	Control box, air suspension, rigids (MH33)
804	Cigarette lighter (EV6)	9010	Control box, air suspension, tractors (MF43)
804	Cigarette lighter (ZA25)	9010	Control box, air suspension, tractors (MG18)
805	Rheostat (NZ18)	9010	Control box, air suspension, tractors (MH43)
805	Rheostat (ZB14)	9010	Control box, air suspension, tractors (MH43)
812 D	El. operated rearview mirror (HH3)	9012	Current limiter (ZD10)
812 P	El. operated rearview mirror (HH10)	9012	Current limiter (ZB32)
850	Horn (FA7)	9026 F	Socket, 12 V (EX14)
858	Buzzer, reverse warner (EA15)	9026 F	Socket, 12 V (ZB52)
858	Buzzer, reverse warner (ZA25)	9028	Contact roller, air bag (KE5)
8010	Control, gearbox (BM36)	9029	Termination resistor, comm. bus (AC30)
8010	Control, gearbox (ZA55)	9031	Injection valve (BZ18)
8016	Fuel filter heater (HM14)	9032	Ignition coil (BZ3)
8016	Fuel filter heater (ZB49)	9035	Pressure regulator (BZ62)
8017	Water separator (HM22)	9036	Lambda sond (BZ33)
8017	Water separator (ZA56)	9038L	Detonator, belt tensioner (KE6)
900	Radio (JA5)	9038R	Detonator, belt tensioner (KE10)
900	Radio (JA23)	9042	Diode module (ZD39)
900	Radio (JA34)	9057	Control unit, automatic transmission (BM4)
900	Radio (ZB31)	9057	Control unit, automatic transmission (ZA69)
900	Radio (ZB32)	9057	Control unit, automatic transmission (ZA71)
901 B	Voltage converter (EX11)	9058	Control unit, el. throttle (LK25)
901 B	Voltage converter (ZB51)	9058	Control unit, el. throttle (ZA50)
901 E	Voltage converter (HB25)	9070	Control unit, unit injector (BJ5)
901 R	Voltage converter (EX4)	9070	Control unit, unit injector (BZ4)
901 R	Voltage converter (ZA10)	9070	Control unit, unit injector (ZA45)
901 R	Voltage converter (ZB10)	9070	Control unit, unit injector (ZA47)
902 L	Loudspeaker (JA9)	9072	Control unit, air bag (KE4)
902 L	Loudspeaker (JA25)	9072	Control unit, air bag (ZB54)
902 L	Loudspeaker (JA36)	9072	Control unit, air bag (ZB54)
902 R	Loudspeaker (JA12)	9073	Control unit, air suspension (MF6)
902 R	Loudspeaker (JA27)	9073	Control unit, air suspension (MG4)
902 R	Loudspeaker (JA39)	9073	Control unit, air suspension (MH6)
903	Diode (CE40)	9073	Control unit, air suspension (ZA58)
903	Diode (CE64)	9074	Control unit, Vehicle ECU (AC3)
903	Diode (CG30)	9074	Control unit, Vehicle ECU (ZA50)
903	Diode (LD10)	9081	Control unit, electronic immobiliser (AA33)
		9081	Control unit, electronic immobiliser (ZB23)
		9093	Control unit, main circuit breaker (ZD10)

## Abbreviations

ABS .....	Antilock brake system	MD3060P5 .....	5 speed gearbox automatic
ADR .....	ADR adaption	MD3560P5 .....	5 speed gearbox automatic
A-RIDE .....	Hydraulic bogie lift	PH-CAB .....	Parking heater cab
AT545 .....	4 speed automatic gearbox	PH-ENGCA .....	Parking heater engine and cab
BBOX-L .....	Battery box mounting, left hand side	PTO .....	Power take off
CNG .....	Compressed natural gas	RET-TMD .....	Retarder for MD3060P5/MD3560P5
DRL .....	Day running light	RF .....	Right front
ECS .....	Electronical controlled air suspension	RHD .....	Right hand drive
E-MEDIUM .....	Extra gross vehicle rating, 16-26ton	RHS .....	Right hand side
H-MEDIUM .....	High gross vehicle rating, 14-15 ton	RIGID .....	Plattform or tipper truck
KH .....	Short length cab	RR .....	Right rear
KOBLAM .....	Clutch independent power take off	SKAT .....	Side power take off
LF .....	Left front	SKMT .....	Side power take off
LH .....	Long length cab	T600 .....	6 speed gearbox
LHD .....	Left hand drive	T700 .....	6 speed gearbox
LHS .....	Left hand side	TO800 .....	6 speed gearbox, overdrive
LR .....	Left rear	TRACTOR .....	Semi-trailer truck
LUF-B .....	Rear air suspension	UADR .....	Without ADR adaption
L-MEDIUM .....	Low gross vehicle rating, 8-12ton	URETARD .....	Without retarder

## Cable colour code

BL .....	Blue	PU .....	Purple
BN .....	Brown	R .....	Red
GN .....	Green	SB .....	Black
GR .....	Grey	VO .....	Violet
I .....	Ivory	W .....	White
LBL .....	Light blue	Y .....	Yellow
LBN .....	Light brown		
OR .....	Orange		
P .....	Pink		

**Note:** If a cable has two colours, this is written out like the following example: Y/R = Yellow/Red.

# Feedback

One of our objectives is that workshop personnel should have access to correct and appropriate service manuals where it concerns fault tracing, repairs and maintenance of Volvo vehicles.

In order to maintain the high standards of our literature, your opinions and experience when using this manual would be greatly appreciated.

If you have any comments or suggestions, make a copy of this page, write down your comments and send them to us, either via telefax or mailing directly to the address listed below.

To

Volvo Parts Corporation

Dept. Technical Support Centre 31610

SE-405 08 GÖTEBORG

SWEDEN

Fax +46 31 661060

From

.....  
.....  
.....  
.....  
.....  
.....  
.....

Comments/proposals

.....  
.....  
.....  
.....  
.....  
.....  
.....  
.....  
.....  
.....  
.....  
.....  
.....  
.....  
.....  
.....  
.....  
.....  
.....  
.....  
.....  
.....

Concerns Service Manual: .....

**VOLVO**

**Volvo Truck Corporation**

Göteborg, Sweden